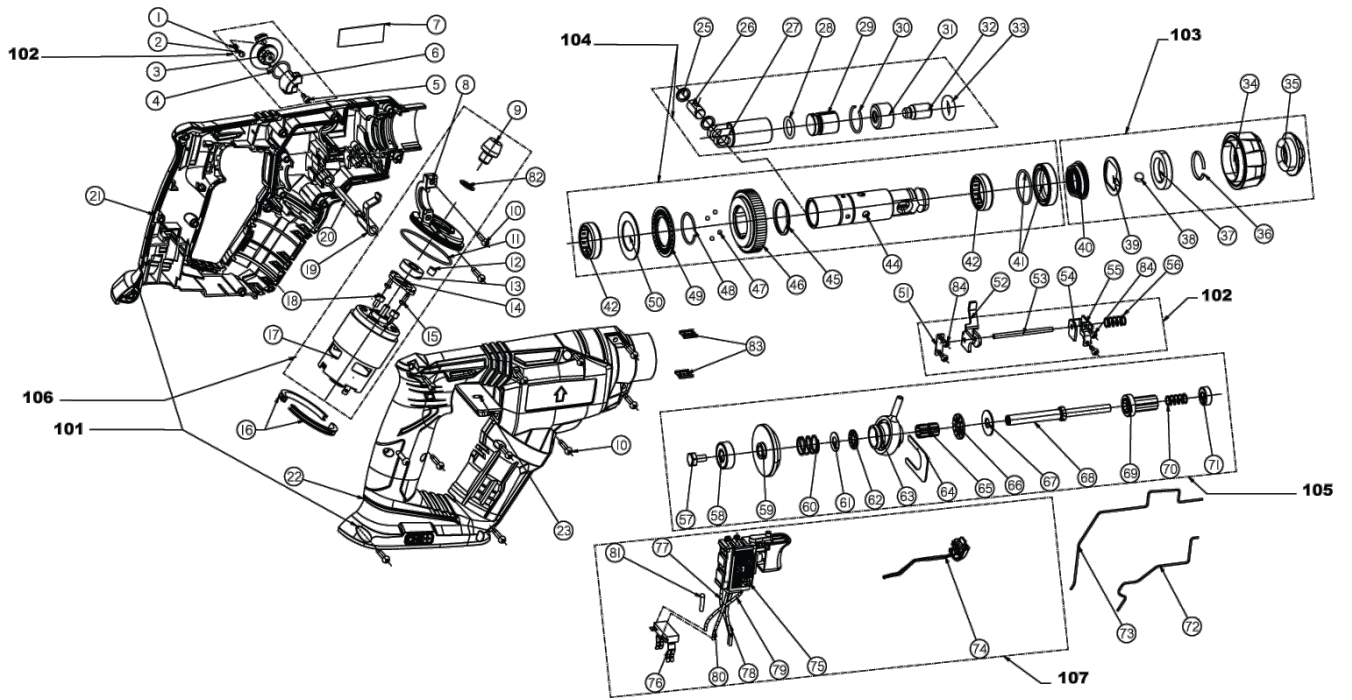


R18SDS-L25S 18V SDS+ IN2

5133002325 - R18SDS-L25S - 4000444301





Position	Quantity	Description	Part number	EAN
	1	PROTECTION SLEEVE	5131029490	4058546002046
	1	FERRITE BEAD	5131032921	4058546139575
001	1	SPRING	5131000000	
002	1	PLASTIC, DETENT BUTTON	5131000000	
003	1	MODE KNOB BUTTON	5131032853	4058546138905
004	1	RUBBER O-RING OD16XID13MM	5131032854	4058546138912
005	1	ST SCREW M3 L12MM	5131032862	4058546138998
006	1	MET POWER METAL MODE ADJUSTMENT BLOCK	5131032855	4058546138929
007	1	LABEL	5131000000	
008	1	MOTOR BRACKET	5131032908	4058546139445
009	1	BEVEL PINION	5131032907	4058546139438
010	13	SCREW	5131011359	4058546168315
011	1	RUBBER O-RING OD48XWIRE D:1.5	5131032909	4058546139452
013	1	BALL BEARING ID9XOD20XW6MM	5131032913	4058546139490
014	1	MOTOR BRACKET LOWER	5131032911	4058546139476
015	2	M SCREW M3 PH TORX T L8MM	5131032912	4058546139483
016	2	RUBBER CUSHION FOR HOUSING SUPPORT	5131032848	4058546138851
017	1	MOTOR 18V 22000RPM 2.5A 180W OD47XL60MM	5131032906	4058546139421
018	2	SCREW	5131031730	4058546193263
019	1	SHORT HAMMER SHEET 65MN	5131032850	4058546138875
020	1	PIN DIA5.7X37MM	5131032851	4058546138882
023	1	MODE FIXED BLOCK	5131032845	4058546138820
024	1	RATING LABEL	5131032920	4058546139568
025	2	FLAT WASHER CH 9X11.8X1.2 MM	5131032878	4058546139148
026	1	WOBBLE PIN DIA 9XL17.9	5131032877	4058546139131
027	1	CYLINDER	5131032876	4058546139124
028	1	RUBBER O-RING	5131032880	4058546139162
029	1	STRIKER DIA18XL22	5131032879	4058546139155
030	1	RETAINING RING	5131032881	4058546139179
031	1	SLEEVE DIA20XL13	5131032883	4058546139193
032	1	ANVIL DIA12XL26.1	5131032882	4058546139186
033	1	RUBBER O-RING ID11.3	5131032884	4058546139209
034	1	SLEEVE CHUCK CAP	5131032866	4058546139032
035	1	CAP FOR SDS CHUCK	5131032865	4058546139025
036	1	C RING ID19.5XDIA 2.0MM	5131032867	4058546139049
037	1	RETAINING RING ID21XOD32X5MM	5131032868	4058546139056
038	1	BALL STEEL DIA7.0MM	5131032871	4058546139087
039	1	BALL SUPPORT	5131032869	4058546139063
040	1	CONIC SPRING	5131032870	4058546139070
041	1	SEAL RING ID25XOD35	5131032874	4058546139100
042	2	NEEDLE BEARING ID25XOD30XW8MM	5131032875	4058546139117
044	1	SPINDLE DIA25XL100	5131032873	4058546198558
045	1	RETAINING RING DIA23.2X1.2	5131032885	4058546139216
046	1	LAYER GEAR	5131032886	4058546139223
047	4	BALL	5131017806	4058546106454
048	1	RETAINING RING ID22, WIRE DIA 1.4MM	5131032888	4058546139247
049	1	NEEDLE BEARING ID25XOD42XW2MM	5131032887	4058546139230
050	1	FLAT WASHER 25X40X1 MM	5131032889	4058546139254
051	1	SHAFT HOLDER SHEET 1.0MM	5131032860	4058546138974
052	1	CHISELLING MODE SHIFT PLATE 2.0MM	5131032863	4058546139001

Position	Quantité	Désignation	Référence	EAN
053	1	CHISELLING MODE SHAFT DIA3.5	5131032858	4058546138950
054	1	CHISELLING MODE GEAR LOCKER 1.5MM	5131032856	4058546138936
055	1	SHAFT HOLDER FOLDED SHEET T1.0MM	5131032859	4058546138967
056	1	SPRING DIA0.5XOD5.2XL5MM	5131032857	4058546138943
057	1	M SCREW M4 L10MM	5131032904	4058546139407
058	1	BALL BEARING 608ZZ OD22XID8X7	5131032903	4058546139391
059	1	BEVEL GEAR	5131032902	4058546139384
060	1	SPRING DIA1.1 OD15.1	5131032898	4058546139346
061	1	WASHER OD16XID8.1X0.5MM	5131032900	4058546139360
062	1	NEEDLE BEARING ID8XOD16XW1.5MM	5131032899	4058546139353
063	1	WOBBLE PLATE	5131032897	4058546139339
064	1	BAFFLE, 65MN	5131032849	4058546138868
065	2	NEEDLE BEARING ID8XOD11XW8MM	5131032901	4058546139377
066	2	NEEDLE BEARING ID8XOD21XW2MM	5131032896	4058546139322
067	1	FLAT WASHER 8.1X20.9X1 MM	5131032895	4058546139315
068	1	LAYSHAFT DIA8X83MM	5131032892	4058546139285
069	1	PINION	5131032894	4058546139308
070	1	SPRING DIA0.5XOD6.8XL10MM	5131032893	4058546139292
071	1	BALL BEARING 696 2Z ID6XOD15XW5MM	5131032891	4058546139278
072	1	RUBBER SEAL DOWN	5131032847	4058546138844
073	1	HOUSING RUBBER SEALING	5131032846	4058546138837
075	1	SWITCH SPEEDCONTROL BAICHENG25A36VDC 20A	5131032915	4058546139513
076	1	CONTACT	5131035714	4058546151171
077	1	WIRE RED 220MM	5131032916	4058546139520
078	1	WIRE BLK 220MM	5131032917	4058546139537
079	1	WIRE BLACK 90MM	5131032918	4058546139544
080	1	WIRE RED 70MM	5131032919	4058546139551
082	1	STAMPING, ISWT_9 STEEL	5131032910	4058546139469
083	2	CLIP	5131030099	4058546122393
084	4	ST SCREW CH M3 L8MM	5131032861	4058546138981
101	1	HOUSING ASSEMBLY	5131032844	4058546138813
102	1	MODE SELECTION ASSY	5131032852	4058546138899
103	1	CHUCK ASSY	5131032864	4058546139018
104	1	SPINDLE ASSY	5131032872	4058546139094
105	1	LAYSHAFT ASSY	5131032890	4058546139261
106	1	MOTOR ASSY 18V-DC	5131032905	4058546139414
107	1	SWITCH ASSY VARIABLE 18VDC	5131032914	4058546139506