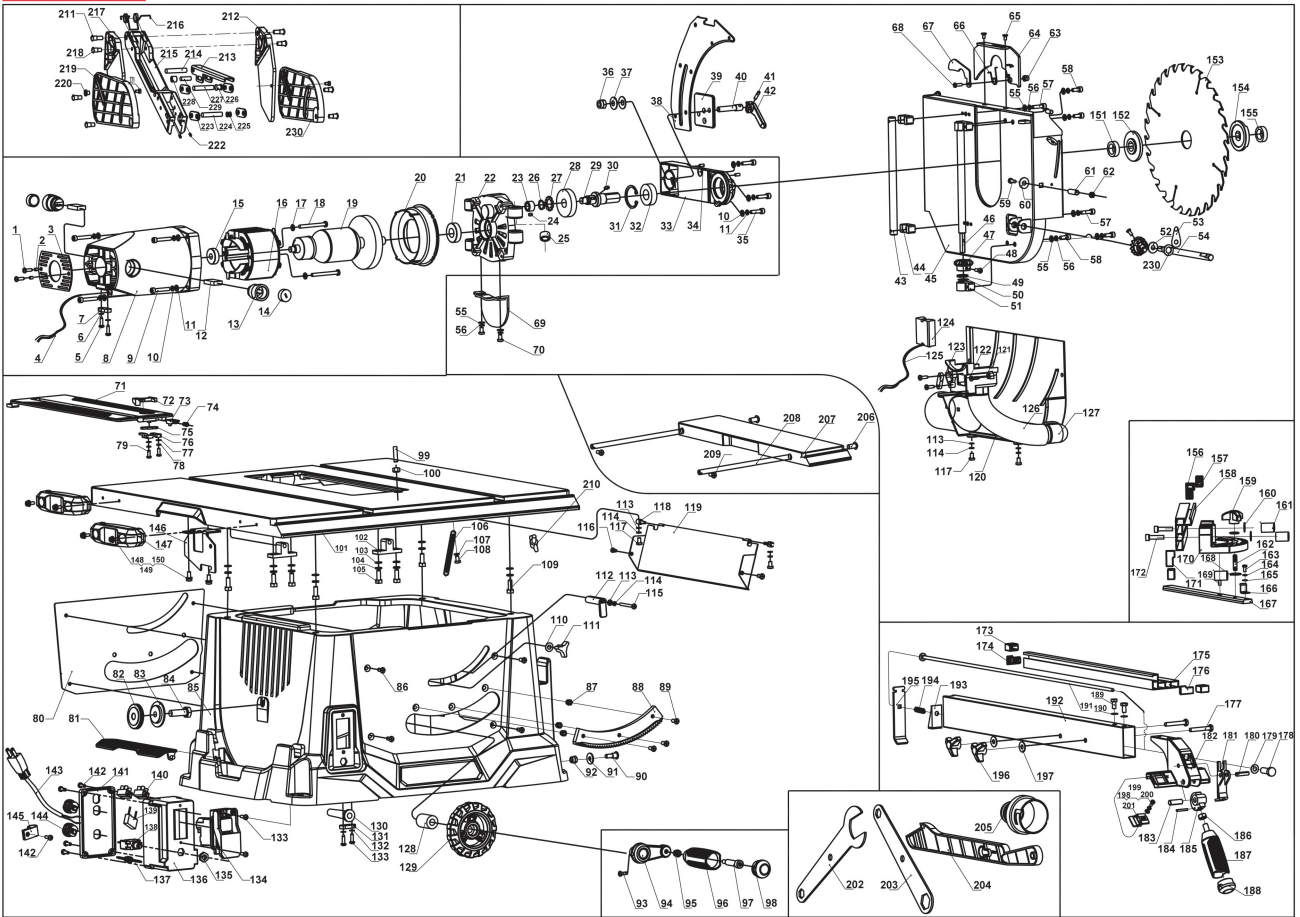


RTS1800EF 1800W TABLE SAW+STD IN2

5133002025 - RTS1800EF 1800W - 4000444247

RYOBI RTS1800EF



Position	Quantity	Description	Part number	EAN
001	2	SCREW M4X8MM	5131032516	4058546136000
002	1	THREADED PIN M4X6	5131032517	4058546136017
003	1	MOTOR END COVER	5131032518	4058546136024
004	1	MOTOR CORD VC3X1.0X590MM	5131032519	4058546136031
005	2	PAN HEAD TAPPING SCREW ST4.2X16	5131032520	4058546136048
006	2	SMALL WASHER DIA 4.3XDIA8X0.5T	5131032521	4058546136055
007	1	CORD CLAMP	5131032522	4058546136062
008	1	MOTOR HOUSING	5131032523	4058546136079
009	4	HEXAGON SOCKET CAP SCREW M5X35	5131032524	4058546136086
010	7	SPRING WASHER DIA 5	5131032525	4058546136093
011	7	FLAT WASHER DIA 5.3	5131032526	4058546136109
012	2	CARBON BRUSH	5131032527	4058546136116
013	2	BRUSH HOLDER	5131032528	4058546136123
014	2	BRUSH COVER	5131032529	4058546136130
015	1	DEEP GROOVE BALL BEARING 629-2Z	5131032530	4058546136147
016	1	STATOR ASSEMBLY	5131032531	4058546136154
017	2	FLAT WASHER DIA 5.5	5131032532	4058546136161
018	2	PAN HEAD TAPPING SCREW ST4.8X65	5131032533	4058546136178
019	1	ARMATURE ASSEMBLY	5131032534	4058546136185
020	1	AIR SEAL RING	5131032535	4058546136192
021	1	DEEP GROOVE BALL BEARING 6002-2Z	5131032536	4058546136208
022	1	GEAR BOX	5131032537	4058546136215
023	1	NEEDLE BEARING HK1010	5131032538	4058546136222
024	2	SCREW WITH FLAT POINT M5X6	5131032804	4058546138707
025	1	PRECISION SLIDING SLEEVE	5131032805	4058546138714
026	1	CIRCLIPS FOR SHAFT DIA 14	5131032541	4058546136253
027	1	WAVE SPRING WASHER DIA 14	5131032542	4058546136260
028	1	BIG GEAR 40CR	5131032543	4058546136277
029	1	OUTPUT SHAFT	5131032544	4058546136284
030	1	PARALLEL KEY 4X4X8	5131032545	4058546136291
031	1	CIRCLIPS FOR HOLE DIA 35	5131032546	4058546136307
032	1	DEEP GROOVE BALL BEARING 6003-2RS	5131032547	4058546136314
033	1	ACCEPTANCE	5131032548	4058546136321
034	2	PARALLEL PIN	5131032549	4058546136338
035	3	HEXGON SOCKET CAP SCREW M5X18	5131032550	4058546136345
036	1	HEXAGON FULL NUT M8	5131032551	4058546136352
037	2	LOCK WASHER	5131032552	4058546136369
038	1	SPLITTING WEDGE	5131032553	4058546136376
039	1	PLATE	5131032554	4058546136383
040	1	LOCK SHAFT	5131032555	4058546136390
041	1	SPRING PINS,HEAVY TYPE DIA 4X18	5131032556	4058546136406
042	1	LOCK HANDLE	5131032557	4058546136413
043	1	GUIDE POST	5131032558	4058546136420
044	2	GUIDE PAD	5131032559	4058546136437
045	1	LOW BLADE GUARD	5131032560	4058546198497
046	1	ADJUSTMENT ROD	5131032561	4058546136444
047	2	BEVEL GEAR	5131032562	4058546136451
048	2	PAN HEAD SCREW M4X20	5131032563	4058546136468
049	1	FRICTION WASHER A	5131032564	4058546136475
050	1	FRICTION WASHER	5131032806	4058546138721

Position	Quantité	Désignation	Référence	EAN
051	2	FIX BLOCK	5131032566	4058546136482
052	1	FRICTION WASHER B	5131032567	4058546136499
053	1	SPRING HANGER	5131032807	4058546138738
054	1	ADJUSTMENT ROD	5131032569	4058546136512
055	8	FLAT WASHER DIA 5.3	5131032526	4058546136109
056	8	SPRING WASHER DIA 5	5131032525	4058546136093
057	2	HEXGON SOCKET CAP SCREW M5X25	5131032572	4058546136543
058	4	HEXGON SOCKET CAP SCREW M5X16	5131032573	4058546136550
059	1	CARRIAGE BOLTS M6X50	5131032574	4058546136567
060	3	WAVE SPRING WASHER DIA 8	5131032575	4058546136574
061	1	SLEEVE	5131032576	4058546136581
062	1	HEXAGON NUT M6	5131032577	4058546136598
063	1	HEXAGON FULL NUT M4	5131032578	4058546136604
064	1	SCALEBOARD	5131032579	4058546136611
065	2	HEAD TAPPING SCREW ST4.2X12	5131032580	4058546136628
066	1	SPRING	5131032581	4058546136635
067	1	SAFETY GUARD	5131032582	4058546136642
068	1	PAN HEAD SCREW M4X12	5131032583	4058546136659
069	1	LOW GUARD	5131032584	4058546136666
070	2	PAN HEAD SCREW M5X12	5131032585	4058546136673
071	1	INSERT	5131032492	4058546135768
072	1	KEY	5131032587	4058546136697
073	1	PIN	5131032588	4058546136703
074	1	SPRING	5131032589	4058546136710
075	1	LINKAGE	5131032590	4058546136727
076	1	PLATE	5131032591	4058546136734
077	2	SMALL WASHER DIA 4.3XDIA8X0.5T	5131032521	4058546136055
078	2	SPRING WASHER DIA 4	5131032593	4058546136758
079	2	PAN HEAD SCREW M4X10	5131032594	4058546136765
080	1	CABINET SCALEBOARD	5131032595	4058546136772
081	1	TOOL BOX COVER	5131032596	4058546136789
082	1	BLADE STOCK KNOB	5131032597	4058546136796
083	1	WRENCH SEAT	5131032598	4058546136802
084	1	HEXAGON HEAD SCREW	5131032599	4058546136819
085	1	CABINET	5131032600	4058546198503
086	4	HEAD SCREW M4X6	5131032601	4058546136826
087	3	HEXAGON FULL NUT M5	5131032602	4058546136833
088	1	RACK	5131032603	4058546136840
089	3	HEAD SCREW M5X14	5131032604	4058546136857
090	1	SCREW	5131032605	4058546136864
091	1	FLAT WASHER DIA,8XDIA,32X2	5131032679	4058546137571
092	3	HEXAGON FULL NUT M6	5131032808	4058546138745
093	4	CABINET FEET	5131032608	4058546136895
094	1	PAN HEAD SCREW M6X16	5131032610	4058546136918
095	1	HAND WHEEL ARM	5131032611	4058546136925
096	1	HEXAGON FULL NUT M6	5131032612	4058546136932
097	1	HANDLE	5131032613	4058546136949
098	1	HANDLE SCREW	5131032614	4058546136956
099	1	HANDLE COVER	5131032615	4058546136963
100	2	SCREW WITH FLAT POINT M6X25	5131032616	4058546136970

Position	Quantité	Désignation	Référence	EAN
101	2	HEXAGON NUT M6	5131032617	4058546136987
102	1	MAIN TABLE	5131032618	4058546198510
103	2	ADJUSTMENT BLOCK	5131032619	4058546136994
104	7	FLAT WASHER-A CLASS DIA 6.4	5131032620	4058546137007
105	7	SPRING WASHER Å?6	5131032621	4058546137014
106	4	HEXAGON HEAD SCREW M6X20	5131032622	4058546137021
107	1	SPRING	5131032623	4058546137038
108	7	FLAT WASHER-A CLASS DIA 6.4	5131032620	4058546137007
109	1	HEXGON SOCKET CAP SCREW M6X12	5131032625	4058546137045
110	4	HEXAGON HEAD SCREW M6X25	5131032626	4058546137052
111	2	BIG FLAT WASHER DIA 6	5131032627	4058546137069
112	1	BEVEL LOCK LEVER	5131032628	4058546137076
113	1	BEVEL INDICATOR	5131032629	4058546137083
114	3	BIG WASHER DIA,4,3	5131032842	4058546138806
115	5	SPRING WASHER DIA 4	5131032593	4058546136758
116	1	PAN HEAD SCREW M4X50	5131032632	4058546137113
117	2	PAN HEAD SCREW M4X8	5131032633	4058546137120
118	4	PAN HEAD SCREW M4X14	5131032634	4058546137137
119	2	PIN	5131032635	4058546137144
120	1	FLAPPER	5131032636	4058546137151
121	1	DUST GUIDE PLATE	5131032637	4058546137168
122	2	SCREW M4X8MM	5131032516	4058546136000
123	1	PRESSING LINE PLATE	5131032757	4058546138295
124	1	SOFT START	5131032758	4058546138301
125	1	INNER WIRE FOR SOFT START	5131000000	
126	1	DUST HOSE	5131032640	4058546137199
127	1	HOSE CONNECTOR-B	5131032641	4058546137205
128	1	HANDLE SLEEVE	5131032642	4058546137212
129	1	HANDLE WHEEL	5131032643	4058546137229
130	1	STRAIN RELIEF	5131032644	4058546137236
131	1	CORD CLAMP	5131032645	4058546137243
132	2	SMALL WASHER DIA 4.3XDIA8X0.5T	5131032521	4058546136055
133	4	PAN HEAD TAPPING SCREW ST4.2X16	5131032520	4058546136048
134	1	SWITCH	5131032648	4058546137267
135	1	RING OF CIRCUIT BREAKER	5131032649	4058546137274
136	1	SWITCH BOX	5131032650	4058546137281
137	1	INDUCTOR	5131032651	4058546137298
138	1	OVERLOAD PROTECTOR	5131032652	4058546137304
139	1	CAPACITANCE	5131032653	4058546137311
140	2	CORD CONNECTOR	5131032654	4058546137328
141	1	SWITCH COVER	5131032655	4058546137335
142	5	PAN HEAD TAPPING SCREW ST4.2X10	5131032656	4058546137342
143	1	POWER CORD WITH VED PLUG	5131032657	4058546137359
144	2	STRAIN RELIEF	5131032658	4058546137366
145	1	CORD CLAMP	5131032659	4058546137373
146	1	BLADE GUARD STOCK PLATE	5131032660	4058546137380
147	2	SUPPORTING FOOT	5131032760	4058546138325
148	6	FLAT WASHER DIA 5.5	5131032661	4058546137397
149	6	SPRING WASHER DIA 5	5131032525	4058546136093
150	6	PAN HEAD SCREW M5X12	5131032585	4058546136673

Position	Quantité	Désignation	Référence	EAN
151	1	PAD	5131032664	4058546137427
152	1	PRESSURE PLATE	5131032497	4058546135812
154	1	CLAMPING FLANGE	5131032498	4058546135829
155	1	BLADE NUT	5131032668	4058546137465
156	1	FRONT CAP	5131032670	4058546137489
157	2	KNOB	5131032671	4058546137496
158	1	SHORT FENCE	5131032672	4058546137502
159	1	KNOB	5131032673	4058546137519
160	3	WASHER DIA 6.4	5131032674	4058546137526
161	2	LOCK KNOB	5131032675	4058546137533
162	1	BOLTS WITH DOUBLE NIP	5131032676	4058546137540
163	2	PAN HEAD SCREW M4X8	5131032633	4058546137120
164	2	SMALL WASHER DIA 4.3XDIA8X0.5T	5131032521	4058546136055
165	4	SPRING WASHER DIA 4	5131032593	4058546136758
166	1	POINTOR	5131032680	4058546137588
167	1	MITER GAUGE BAR	5131032681	4058546137595
168	1	FLAT WASHER DIA,8XDIA,32X2	5131032679	4058546137571
169	1	PIN	5131032683	4058546137618
170	1	MITER GAUGE	5131032684	4058546137625
171	1	END CAP	5131032685	4058546137632
172	2	HEXAGON NUT M6	5131032617	4058546136987
173	2	END CAP-1	5131032688	4058546137663
174	1	END CAP-2	5131032689	4058546137670
175	1	AUXILLIARY FENCE	5131032690	4058546137687
176	1	END CAP-3	5131032691	4058546137694
177	2	HEXAGON HEAD SCREW M6X35	5131032692	4058546137700
178	1	ADJUSTMENT NUT	5131032693	4058546137717
179	1	FLAT WASHER DIA 8.4	5131032694	4058546137724
180	1	PIN	5131032695	4058546137731
181	1	REAR PLATE	5131032696	4058546137748
182	1	FENCE BLOCK	5131032697	4058546137755
183	1	CAM PIN	5131032698	4058546137762
184	1	SPRING PIN,HEAVY TYPE DIA 3X25	5131032699	4058546137779
185	1	CAM	5131032700	4058546137786
186	1	HEXAGON NUT M6	5131032577	4058546136598
187	1	HANDLE	5131032702	4058546137809
188	1	HANDLE COVER	5131032703	4058546137816
189	2	HEXAGON HEAD SCREW M6X12	5131032704	4058546137823
190	2	EXT. TOOTH WASHER DIA 6	5131032705	4058546137830
191	1	CONNECT ROD	5131032706	4058546137847
192	1	RIP FENCE	5131032707	4058546137854
193	1	REAR INSERT PANEL	5131032708	4058546137861
194	1	SPRING FOR THE ROD	5131032709	4058546137878
195	1	REAR PANEL	5131032710	4058546137885
196	2	KNOB	5131032711	4058546137892
197	2	FLAT WASHER DIA,8XDIA,32X2	5131032679	4058546137571
198	1	PAN HEAD SCREW M4X8	5131032633	4058546137120
199	1	SMALL WASHER DIA 4.3XDIA8X0.5T	5131032521	4058546136055
200	1	SPRING WASHER DIA 4	5131032593	4058546136758
201	1	INDICATOR	5131032716	4058546137946

Position	Quantité	Désignation	Référence	EAN
202	1	BIG WRENCH	5131032718	4058546137953
203	1	SMALL WRENCH	5131032719	4058546137960
204	1	PLONGER	5131032494	4058546135782
205	1	DUST PORT	5131032721	4058546137984
206	2	EXTEND SCREW PIN	5131032539	4058546136239
207	1	EXTENSION TABLE	5131032540	4058546136246
208	2	EXTENSION BAR	5131032565	4058546194529
209	1	PAN HD SCREW WITH CROSS RECESSED MX8	5131032568	4058546136505
210	2	BUTTERFLY KNOB	5131032809	4058546138752
211	2	SCREW FOR BLADE GUARD	5131032592	4058546136741
212	1	FRONT LEFT PROTECT GUARD	5131032630	4058546137090
213	1	LOCK KNOB OF THE PROTECT GUARD	5131032646	4058546137250
214	2	LOCKKNOB SHAFT OF THE PROTECT GUARD	5131032714	4058546137922
215	1	SWINGING ARM OF THE PROTECT GUARD	5131032701	4058546137793
216	1	PROTECT GUARD TORSION SPRING	5131032663	4058546137410
217	1	FRONT RIGHT PROTECT GUARD	5131032631	4058546137106
218	6	SCREW ON THE PROTECT GUARD	5131032715	4058546137939
219	1	FRONT REAR PROTECT GUARD	5131032678	4058546137564
220	2	CONNECTOR SCREW OF PROTECT GUARD	5131032607	4058546136888
221	2	PAN HEAD SCREW M4X6	5131032682	4058546137601
222	2	SCREW WITH FLAT POINT M5X8	5131032712	4058546137908
223	4	LOCK LINKAGE OF THE PROTECT GUARD	5131032686	4058546137649
224	1	LINKAGE SHAFT SHORT BUSHING	5131032662	4058546137403
225	1	LINKAGE SHAFT LONG BUSHING	5131032571	4058546136536
226	1	SHAFT OF THE BUSHING FOR PROTECT GUARD	5131032677	4058546137557
227	1	CENTRAL SHAFT BUSHING	5131032713	4058546137915
228	1	CENTRAL SHAFT	5131032747	4058546138202
229	1	REAR LEFT PROTECT GUARD	5131032748	4058546138219
230	1	FLAT WASHER DIA 10	5131032761	4058546138332
300	1	SETTING GAUGE	5131032496	4058546135805
400	1	GUIDE RAIL	5131032495	4058546135799
B01	1	THREADED BOLT	5131033601	4002395149407
B02	2	FLAT WASHER DIA,13,5	5131032725	4058546138028
B03	2	WHEEL	5131032762	4058546138349
B04	6	SHORT SLEEVE	5131032763	4058546138356
B05	1	REAR FEET 30	5131032764	4058546138363
B06	6	LONG SLEEVE	5131032765	4058546138370
B07	2	HEXAGON FULL NUT M8	5131032551	4058546136352
B08	4	HEXAGON HEAD SCREW M6X25	5131032626	4058546137052
B09	4	SPRING WASHER Å?6	5131032621	4058546137014
B10	4	BIG WASHER 6,6	5131032766	4058546138387
B11	1	FRAMWORK ASSEMBLY	5131032767	4058546138394
B12	1	HEX,SOCKET CAP SCREW M6X30	5131032768	4058546138400
B13	1	BRACKAGE SPRING	5131032769	4058546138417
B14	1	FIX BLOCK	5131032770	4058546138424
B15	2	FLAT WASHER DIA 5.3	5131032526	4058546136109
B16	2	SPRING WASHER DIA 4	5131032593	4058546136758
B17	2	PAN HEAD SCREW M5X12	5131032585	4058546136673
B18	1	HOOK	5131032771	4058546138431
B19	5	HEXAGON FULL NUT M6	5131032612	4058546136932

Position	Quantité	Désignation	Référence	EAN
B20	1	HOOK CAP	5131032772	4058546138448
B21	1	RIGHT SLIDING BUSHING	5131032773	4058546138455
B22	1	SUPPORT ASSY	5131032774	4058546198527
B23	1	LEFT SLIDING BUSHING	5131032775	4058546138462
B24	2	MIDDLE SLEEVE	5131032776	4058546138479
B25	2	HEXAGON HEAD SCREW M12X130	5131032777	4058546138486
B26	2	HEXAGON FULL NUT M12	5131032778	4058546138493
B27	3	SHORT LEG	5131032779	4058546138509
B28	3	LEG CAP	5131032780	4058546138516
B29	4	HEAD SQUARE NECK BOLT M6X40	5131032781	4058546138523
B30	1	ADJUSTMENT LEG	5131032782	4058546138530
B31	1	NUT OF THE FEET	5131032783	4058546138547
B32	1	SHORT LEG 30	5131032784	4058546138554
B33	1	FRONT LEG 30	5131032785	4058546138561