

RYOBI®

RY18SFX35A

ORIGINAL INSTRUCTIONS
TRADUCTION DES INSTRUCTIONS ORIGINALES
ÜBERSETZUNG DER ORIGINALANLEITUNG
TRADUCCIÓN DE LAS INSTRUCCIONES ORIGINALES
TRADUZIONE DELLE ISTRUZIONI ORIGINALI
VERTALING VAN DE ORIGINELE INSTRUCTIES
TRADUÇÃO DAS INSTRUÇÕES ORIGINAIS
OVERSÆTTELSE AF DE ORIGINALE INSTRUKTIONER
ÖVERSÄTTNING AV DE URSPRUNGLIGA INSTRUKTIONERNA
ALKUPERÄISTEN OHJEIDEN SUOMENNOS
OVERSETTELSE AV DE ORIGINALE INSTRUKSJONENE
ПЕРЕВОД ОРИГИНАЛЬНЫХ ИНСТРУКЦИЙ
TŁUMACZENIE INSTRUKCJI ORYGINALNEJ
PŘEKLAD ORIGINÁLNÍCH POKYNŮ
AZ EREDETI ÚTMUTATÓ FORDÍTÁSA
TRADUCEREA INSTRUCȚIUNILOR ORIGINALE
TULKOTS NO ORIĢINĀLĀS INSTRUKCIJAS
ORIGINALIŲ INSTRUKCIJŲ VERTIMAS
ORIGINALAALJUHENDI TÕLGE
PRIJEVOD ORIGINALNIH UPUTA
PREVOD ORIGINALNIH NAVODIL
PREKLAD ORIGINÁLNYCH POKYNOV
ПРЕВОД ОТ ОРИГИНАЛНИТЕ ИНСТРУКЦИИ
ПЕРЕКЛАД ОРИГИНАЛЬНИХ ИНСТРУКЦІЙ
ORIJINAL TALIMATLARIN ÇEVIRILERI



EN
FR
DE
ES
IT
NL
PT
DA
SV
FI
NO
RU
PL
CS
HU
RO
LV
LT
ET
HR
SL
SK
BG
UK
TR





- Important!** It is essential that you read the instructions in this manual before assembling, maintaining and operating the product.
- Attention!** Il est essentiel que vous lisiez les instructions contenues dans ce manuel avant d'assembler, d'entretenir et d'utiliser le produit.
- Achtung!** Es ist wichtig, dass Sie vor Zusammenbau, Wartung und Benutzung des Produktes die Anweisungen in dieser Anleitung lesen.
- ¡Atención!** Resulta fundamental que lea este manual de instrucciones antes de realizar el montaje, el mantenimiento y de utilizar este producto
- Attenzione!** È importante leggere le istruzioni contenute nel presente manuale prima di montare il prodotto, svolgere le operazioni di manutenzione sullo stesso e metterlo in funzione.
- Let op!** Het is van essentieel belang dat u de instructies in deze gebruiksaanwijzing leest voor u het product monteert, onderhoudt en gebruikt.
- Atenção!** É fundamental que leia as instruções deste manual antes da montagem, manutenção e operação do aparelho.
- OBS!** Det er vigtigt, at man læser instrukserne i denne brugsanvisning, inden man samler, vedligeholder og betjener produktet.
- Observera!** Det är viktigt att du läser instruktionerna i manualen före montering, användning och underhåll av produkten.
- Huomio!** On tärkeää, että luet tämän käsikirjan ohjeet ennen tuotteen kokoamista, huoltoa ja käyttöä.
- Advarsel!** Det er viktig at du leser instruksjonene i denne manualen før sammensetning, vedlikehold og bruk av produktet
- Внимание!** Необходимо прочитать инструкции в данном руководстве перед сборкой, обслуживанием и эксплуатацией этого изделия.
- Uwaga!** Koniecznie należy przeczytać instrukcje zawarte w tym podręczniku przed montażem, obsługą oraz konserwacją produktu.
- Důležité upozornění!** Neinstalujte, neprovádějte údržbu ani nepoužívejte tento výrobek dříve, než si přečtete pokyny uvedené v tomto návodu.
- Figyelem!** Fontos, hogy a termék összeszerelése, karbantartása és használatá elött elolvassa a kézikönyvben található utasításokat.
- Atenție!** Este esențial să citiți instrucțiunile din acest manual înainte de asamblare, efectuarea întreinerii și operarea produsului.
- Uzmanību!** Ir svarīgi izlasīt šīs rokasgrāmatas instrukcijas pirms uzstādīšanas, apkopes un precas darbināšanas.
- Dėmesio!** Prieš surenkant, prižiūrint ir naudojam gaminį, būtina perskaityti šiame vadove pateiktus nurodymus.
- Tähtis!** Enne masina kokkupanekut, hooldamist ja kasutama hakkamist tuleb käesolevas juhendis esitatud juhised kindlasti läbi lugeda.
- Upozorenje!** Vrlo je važno da ste prije sklapanja, održavanja i rada s ovim proizvodom pročitali upute u ovom priručniku.
- Pomembno!** Pomembno je da pred montažo vzdrževanjem in uporabo tega izdelka preberete navodila v tem priročniku.
- Upozornenie!** Je dôležité, aby ste si pred montážou, údržbou a obsluhou produktu prečítali pokyny v tomto návode.
- Важно!** Исключительно важно е да прочетете инструкциите в настоящото ръководство, преди да преминете към сглобяване, поддръжка или работа с продукта.
- Важливо!** Дуже важливо, щоб ви прочитали інструкції в цьому керівництві перед складанням, обслуговуванням та експлуатацією цієї машини.
- Önemli!** Ürünü monte etmeden, kullanmadan ve bakımını yapmadan önce bu kılavuzdaki talimatları okumanız önemlidir.

Subject to technical modification | Sous réserve de modifications techniques | Technische Änderungen vorbehalten | Bajo reserva de modificaciones técnicas | Con riserva di eventuali modifiche tecniche | Technische wijzigingen voorbehouden | Com reserva de modificações técnicas | Med forbehold for tekniske ændringer | Med förbehåll för tekniska ändringar | Tekniset muutokset varataan | Med forbehold om tekniske endringer | могут быть внесены технические изменения | Z zastrzeżeniem modyfikacji technicznych | Změny technických údajů vyhrazeny | A műszaki módosítás jogát fenntartjuk | Sub rezerva modificațiilor tehnice | Paturam tiesības mainīt tehniskos raksturlielumus | Pasiliekiant teisę daryti techninius pakeitimus | Tehnilised muudatused võimalikud | Podloženo tehničkim promjenama | Tehnične spremembe dopuščene | Právo na technické zmeny je vyhradené | Подлежи на технически модификации | Є об'єктом для технічних змін | Teknik değişikliğe tabidir.



Safety, performance, and dependability have been given top priority in the design of your cordless scarifier or aerator.

INTENDED USE

The cordless scarifier or aerator is intended only for outdoor use. All four wheels should touch the ground while scarifying or aerating.

The product fitted with scarifying tines is designed for domestic lawn scarifying.

The product fitted with an aerator attachment is designed to create holes in the soil to reduce soil compaction.

The product is a pedestrian-controlled lawn scarifier designed to be pushed by hand. The product should not be pulled or ridden on. It should not be used to scarify anything other than domestic grass lawns.

Do not use the product for any other purpose.

GENERAL POWER TOOL SAFETY WARNINGS

WARNING

When using the product, the safety rules must be followed. For your own safety and that of bystanders, please read these instructions before operating the product. Please keep the instructions safe for later use.

WARNING

The product should only be operated with the battery packs specified in this manual. When using battery operated product, basic safety precautions should always be followed to reduce the risk of fire, leaking batteries, and personal injury.

PERSONAL SAFETY

- The product is capable of amputating hands and feet, and of throwing objects. Failure to observe all safety instructions could result in serious injury or death.
- Be familiar with the controls and the correct use of the product.
- Never allow children or people with reduced physical, sensory or mental capabilities or persons not familiar with these instructions to operate, clean or maintain the product. Local regulations may restrict the age of the operator. Children should be adequately supervised to ensure they do not play with the product.
- Stay alert, watch what you are doing, and use common sense when operating the product. Do not operate the product while tired or under the influence of drugs, alcohol, or medication. A lapse in concentration while operating the product may result in serious personal injury.
- Wear heavy, long trousers, long sleeves, and sturdy, anti-slip footwear. Do not wear short trousers, sandals, or go barefoot. Avoid wearing loose-fitting clothing or clothes that have hanging cords or ties.
- Always wear safety glasses with side shields.
- Do not overreach. Always be sure of your footing

especially on slopes. Keep firm footing and balance. Walk, never run.

- Use the product across the face of slopes, never up and down. Exercise extreme caution when changing direction on slopes.
- Do not use the product near drop-offs, ditches, excessively steep slopes, or embankments. Poor footing could cause a slip-and-fall accident.

WORK AREA SAFETY

- Never use the product while people, especially children, or pets are nearby.
- Objects struck by the scarifier tines can cause severe injuries to persons. Thoroughly inspect the area where the product is to be used and remove all rocks, sticks, metal, wire, bones, toys, or other foreign objects. Remember, string or wire may entangle with the cutting means.
- Always use the product in the daylight or with good artificial light.
- Do not operate the product in explosive atmospheres, such as in the presence of flammable liquids, gases or dust. The product creates sparks which may ignite the dust or fumes.
- Do not operate the product on wet grass or in the rain.
- Do not operate the product on a paved or gravel surface where ejected material could cause injury.
- Operate the product only on a level surface by using a two-handed operation with the operator behind the handlebar.
- Avoid using the scarifier in bad weather especially when there is a risk of lightning.
- Keep in mind that the operator or user is responsible for accidents or hazards occurring to other people or their property.
- Tragic accidents can occur if the operator is not alert to the presence of children. Never assume that children will remain where you last saw them.
- Keep children out of the working area and under the watchful care of a responsible adult other than the operator, be alert and turn the product off if a child enters the area.
- Use extra care when approaching blind corners, shrubs, trees, or other objects including overhanging shrubs, which may block your view.

BATTERY TOOL USE AND CARE

- Read, understand, and always follow the safety instructions that came with your battery and charger. Failure to do so may result in electric shock, fire, or other hazardous situations. Keep all the instructions together in a safe place for future reference.
- Battery-operated products do not have to be plugged into an electrical outlet; therefore, they are always in operating condition. Remove the isolator key whenever you are not operating the product.
- Remove the battery pack before making any adjustments, cleaning, or removing material from the product.

- Ensure the isolator key is removed before inserting battery pack.
- A battery pack must be recharged only with the charger specified by the manufacturer. Using a charger with an incompatible battery pack may create a risk of fire. Use battery pack only with charger listed.
- Use only battery pack intended specifically for the product. Use of any other battery packs may result in a risk of fire, electric shock, or injury to persons.
- When the battery pack is not in use, keep it away from other metal objects like, paper clips, coins, keys, nails, screws, or other small metal objects, that can make a connection from one terminal to another. Shorting the battery pack terminals together may cause sparks, burns, fire or explosion.
- Do not place battery products or their batteries near fire or heat. This increases the risk of explosion and possibly injury.
- Do not open or mutilate the battery pack. Released electrolyte is corrosive and may cause damage to the eyes or skin. It may be toxic if swallowed.
- Protect the battery pack against moisture and water. Do not charge the product in a damp or wet location. Following this rule will reduce the risk of electric shock.
- In case of damage and improper use of the battery, vapour may be emitted. Provide for fresh air and seek medical help in case of complaints. The vapour can irritate the respiratory system.
- Do not leave the battery pack inside a vehicle in hot or cold conditions.
- Do not incinerate the battery.
- Under abusive conditions, liquid may be ejected from the battery; avoid contact. If contact accidentally occurs, flush with water. If liquid contacts eyes, additionally seek medical help. Liquid ejected from the battery may cause irritation or burns.
- Never lock the on/off switches in the on position; this is extremely dangerous.
- Do not force the product. It will do the job better and safer at the speed for which it was designed.
- Stop the tines when crossing gravel surfaces.
- Use extreme caution when reversing or pulling the product towards you.
- Stop the tines if the product has to be tilted for transportation when crossing surfaces other than grass, and when transporting the product to and from the work area.
- Never use the product with defective guards or shields, or without safety devices, for example, deflectors and/ or debris collectors, in place.
- Do not tilt the product when turning on the motor, except if the machine has to be tilted for starting. If absolutely necessary, you may lift only the part that is away from the operator. Always ensure that both hands are in the operating position before returning the machine to the ground.
- Turn on the product carefully according to the instructions, and keep hands and feet away from the tines. Do not put hands or feet near or under rotating parts. Keep clear of the discharge opening at all times.
- Never pick up or carry the product while it is running.
- Turn off the product, and disconnect it from the power supply. Make sure that all moving parts have come to a complete stop:
 - whenever leaving the product unattended (including disposal of grass clippings).
 - before cleaning a blockage or unclogging the discharge chute
 - before checking, cleaning or working on the product
 - after striking a foreign object; inspect the product for damage and make repairs as necessary before restarting and operating the product.

SCARIFIER AND AERATOR SAFETY WARNINGS

- The tines on the product are sharp. Use extreme caution and wear heavy-duty gloves when fitting, replacing, cleaning, or checking bolt security.
- Check that all screws, nuts, bolts, and other fasteners are properly secured and that guards and screens are in place. Replace damaged or unreadable labels.
- Replace worn or damaged parts before operating the product.
- Install the debris collector before scarifying. Empty the debris collector when it is full and reinstall before resuming operation.
- The product must be started with the user behind the handlebars in the operator safety zone. Never start the product if:
 - not all four wheels are on the ground
 - the debris discharge chute is exposed and is not protected by the debris collector and debris discharge chute cover.
- Never operate the product if the on/off switch on the handlebar does not properly start and stop the product.
- If the product starts to vibrate abnormally, check immediately to:
 - inspect for damage
 - replace or repair any damaged parts
 - check for and tighten any loose parts
- Avoid holes, ruts, bumps, rocks, property stakes, or other hidden objects. Uneven terrain could cause a slip-and-fall accident.
- Release the handle immediately and stay away from the product if:
 - the product catches fire
 - the guard and/or housing is broken
 - abnormal sound occurs
 - any accident or breakdown occurs
- Always ensure that the motor control cable is never trapped, pinched or otherwise damaged during assembly or when folding the handle.

WARNING

Make sure that the tines are at a complete stop before removing or installing the debris collector.



⚠ WARNING

Do not touch moving hazardous parts before the product is disconnected from the power supply and the moving hazardous parts have come to a complete stop.

ADDITIONAL BATTERY SAFETY WARNINGS

⚠ WARNING

To reduce the risk of fire, personal injury, and product damage due to a short circuit, never immerse your tool, battery pack or charger in fluid or allow a fluid to flow inside them. Corrosive or conductive fluids, such as seawater, certain industrial chemicals, and bleach or bleach-containing products, etc., can cause a short circuit.

OVERLOAD PROTECTION DEVICE

The product has an overload protection device. When overloading is detected, the product will automatically switch off. If the overload protector is actuated, the motor must be allowed to cool down for 5 to 10 minutes.

Turn off the product and disconnect it from the power supply. The tines are sharp; wear heavy-duty gloves before touching. Make sure that the tines can rotate freely and is not jammed or tight.

When the motor has cooled down, connect the plug to the power supply and turn on the product. Press the start button and then the on-off button to start the product. If the product will still not start, have the product serviced by an authorised service centre only.

GENERAL SCARIFYING TIPS

- Adjust the cutting depth according to the needs of your lawn and the length of the grass.
- Mow your lawn and apply moss killer a week before you plan to scarify if your lawn has a moss problem.
- Water your lawn a few days before scarifying to make sure your lawn is moist but not overly wet.

TRANSPORTATION AND STORAGE

- Clean all foreign materials from the product. Store the product in a cool, dry, and well-ventilated place that is inaccessible to children. Keep away from corrosive agents such as garden chemicals and de-icing salts. Do not store outdoors.
- For transportation, secure the product against movement or falling to prevent injury to persons or damage to the product.

⚠ WARNING

Use extreme caution when lifting or tilting the product for maintenance, cleaning, storage, or transportation. The tines are sharp, keep all body parts away from the tines while it is exposed.

TRANSPORTING LITHIUM BATTERIES

Transport the battery in accordance with local and national provisions and regulations.

Follow all special requirements on packaging and labelling when transporting batteries by a third party. Ensure that no batteries can come in contact with other batteries or conductive materials while in transport by protecting exposed connectors with insulating, non-conductive caps or tape. Do not transport batteries that are cracked or leaking. Check with the forwarding company for further advice.

MAINTENANCE

⚠ WARNING

Use only original manufacturer's replacement parts, accessories, and attachments. Failure to do so can cause injury, can contribute to poor performance, and may void your warranty.

⚠ WARNING

Servicing requires extreme care and knowledge and should be performed only by a qualified service technician. Have the product serviced by an authorised service centre only. When servicing, use only original replacement parts.

- When the product is stopped for servicing, inspection, or storage, or changing an accessory, turn off the power source, disconnect the product from the supply and make sure that all moving parts have come to a complete stop. Allow the product to cool down before making any inspections and adjustments. Maintain the product with care and keep it clean.
- Check the debris collector frequently for wear, holes or deterioration.
- You may make adjustments and repairs described in this manual. For other repairs, contact an authorised service centre.
- Replace worn or damaged parts for safety. Use only genuine replacement parts and accessories.
- After each use, clean the product with a soft, dry cloth. Any part that is damaged should be properly repaired or replaced by an authorised service centre.
- Check all nuts, bolts, and screws at frequent intervals for proper tightness to ensure the product is in safe working condition.
- Be careful during adjustment of the product to prevent entrapment of the fingers between moving tines and fixed parts of the product.
- When servicing the tine assembly, be aware that even though the power source is turned off, the tine assembly can still be moved.
- The tines on the product are sharp. Use extreme caution and wear heavy-duty gloves when fitting, replacing, cleaning or checking bolt security.

EN
FR
DE
ES
IT
NL
PT
DA
SV
FI
NO
RU
PL
CS
HU
RO
LV
LT
ET
HR
SL
SK
BG
UK
TR



CLEARING BLOCKAGES

- Turn off the product, and disconnect it from the power supply.
- Always wear heavy-duty gloves when checking or clearing a blockage.
- The tines are sharp and the blockage itself could be a sharp object.
- Remove the debris collector, check for and carefully clear obstructions.
- Check the grass discharge chute and carefully clear blockages.
- Turn the product on its side and check the underside of the product and the area around the tines. Remove any found blockages carefully. Remember that the tines may move during cleaning.

RESIDUAL RISKS

Even when the product is used as prescribed, it is still impossible to completely eliminate certain residual risk factors. The following hazards may arise during use, and the operator should pay special attention to avoid the following:

- injury caused by vibration
 - Always use the right tool for the job. Use designated handles. Restrict working time and exposure.
- injury caused by noise
 - Exposure to noise can cause hearing injury. Wear ear protection and limit exposure.
- injury from contact with the tines
- injury caused by thrown objects

RISK REDUCTION

It has been reported that vibrations from handheld tools may contribute to a condition called Raynaud's Syndrome. Symptoms may include tingling, numbness, and blanching of the fingers, usually apparent upon exposure to cold. Hereditary factors, exposure to cold and dampness, diet, smoking, and work practices are all thought to contribute to the development of these symptoms. There are measures that can be taken by the operator to possibly reduce the effects of vibration:

- Keep your body warm in cold weather. When operating the product, wear gloves to keep the hands and wrists warm. It is reported that cold weather is a major factor contributing to Raynaud's Syndrome.
- After each period of operation, exercise to increase blood circulation.
- Take frequent work breaks. Limit the amount of exposure per day.

If you experience any of the symptoms of the condition, immediately discontinue use and see your physician.

WARNING

Injuries may be caused, or aggravated, by prolonged use of a tool. When using any tool for prolonged periods, ensure you take regular breaks.

KNOW YOUR PRODUCT

See page 134.

1. Switch button
2. Handle grips
3. Triggers
4. Upper handle pole
5. Knobs
6. Hex key
7. Tines
8. Switch Key
9. Rear wheels
10. Front wheels
11. Battery
12. Charger
13. Aerator attachment
14. Height adjustment lever
15. Battery cover
16. Rear door
17. Debris collector
18. Lower handle assembly
19. Wiring

SYMBOLS ON THE PRODUCT



Safety alert



Please read the instructions carefully before starting the product.



Wear ear protection.



Wear eye protection.



Do not expose to rain or damp condition



Beware of thrown or flying objects. Keep all bystanders, especially children and pets, at least 15 m away from the operating area.



Beware of sharp tines. Tines continue to rotate after the motor is switched off. Remove the isolator key before maintenance.



Do not operate on inclines greater than 15°. Use the product across the face of slopes, never up and down.



Working width: 35 cm



Waste electrical products should not be disposed of with household waste. Please recycle where facilities exist. Check with your local authority or retailer for recycling advice.



Conforms to all regulatory standards in the country in the EU where the product is purchased.



EurAsian Conformity Mark



Ukrainian mark of conformity



The guaranteed sound power level shown on this label is 95 dB.

SYMBOLS IN THIS MANUAL



Parts or accessories sold separately



Note



Warning

The following signal words and meanings are intended to explain the levels of risk associated with this product.

⚠ DANGER

Indicates an imminently hazardous situation, which, if not avoided, will result in death or serious injury.

⚠ WARNING

Indicates a potentially hazardous situation, which, if not avoided, could result in death or serious injury.

⚠ CAUTION

Indicates a potentially hazardous situation, which, if not avoided, may result in minor or moderate injury.

CAUTION

Without safety alert symbol

Indicates a situation that may result in property damage.

- EN
- FR
- DE
- ES
- IT
- NL
- PT
- DA
- SV
- FI
- NO
- RU
- PL
- CS
- HU
- RO
- LV
- LT
- ET
- HR
- SL
- SK
- BG
- UK
- TR

Lors de la conception de l'aérateur ou du scarificateur sans fil, l'accent a été mis sur la sécurité, les performances et la fiabilité.

UTILISATION PRÉVUE

L'aérateur ou le scarificateur sans fil est exclusivement destiné à un usage extérieur. Lors de l'aération ou la scarification, les quatre roues doivent toucher le sol.

Le produit équipé des dents de scarification est conçu pour la scarification des pelouses domestiques.

Le produit équipé de l'aérateur est conçu pour créer des trous dans le sol afin de réduire le compactage du sol.

Le produit est un scarificateur contrôlé par l'opérateur, conçu pour être poussé à la main. Le produit ne doit pas être tiré ni chevauché. Il doit uniquement être utilisé pour scarifier les pelouses domestiques.

Utilisez ce produit pour aucun autre travail.

INDICATIONS GÉNÉRALES DE SÉCURITÉ POUR OUTILS ÉLECTROPORTATIFS

⚠ AVERTISSEMENT

Suivez les règles de sécurité lorsque vous utilisez le produit. Pour votre sécurité et celle des passants, veuillez lire ces instructions avant d'utiliser le produit. Veuillez conserver instructions pour vous y reporter ultérieurement.

⚠ AVERTISSEMENT

Utilisez le produit uniquement avec les blocs de batterie spécifiés dans ce manuel. Lors de l'utilisation de machines alimentées par batterie, il convient de respecter certaines précautions de sécurité de base afin de réduire les risques d'incendie, de fuite de batterie et de blessures.

SÉCURITÉ DES PERSONNES

- La tondeuse à gazon est capable d'amputer les mains et les pieds, ainsi que de projeter des objets. Le non-respect de toutes les règles de sécurité est susceptible d'entraîner des blessures graves voire mortelles.
- Familiarisez-vous avec les commandes du produit ainsi qu'avec son utilisation correcte.
- Ne laissez jamais les enfants ou les personnes aux capacités physiques, sensorielles ou mentales réduites, ni les personnes non familiarisées avec ces instructions utiliser, nettoyer ou entretenir le produit. Les lois locales peuvent imposer un âge minimum à l'opérateur. Les enfants doivent être bien surveillés afin de s'assurer qu'ils ne jouent pas avec le produit.
- Restez vigilant, regardez ce que vous faites et faites preuve de bon sens lorsque vous utilisez l'appareil. N'utilisez pas cette tondeuse lorsque vous êtes fatigué ou sous l'influence de l'alcool, de drogues ou de médicaments. Un moment d'inattention lors de l'utilisation de la machine suffit à provoquer de graves blessures.
- Portez des pantalons longs et épais, des manches longues, des chaussures antidérapantes robustes. Ne portez pas de pantalons courts ou de sandales, et ne travaillez pas pieds nus. Évitez de porter des vêtements amples ou qui possèdent des cordons ou attaches qui pendent.
- Portez toujours des lunettes de sécurité avec protections latérales.
- Ne pas se précipiter. Gardez toujours un bon appui sur vos pieds, en particulier dans les pentes. Gardez un bon appui et un bon équilibre. Marchez, ne courez jamais.
- Utilisez le produit transversalement par rapport à la pente, jamais en la remontant ou en la descendant. Redoublez de vigilance lorsque vous changez de direction dans une pente.
- N'utilisez pas le produit à proximité des à-pics, des fossés, des fortes pentes ou des talus. Un mauvais appui sur le sol peut entraîner une glissade et une chute et causer un accident.

SÉCURITÉ DANS LA ZONE DE TRAVAIL

- N'utilisez jamais la machine si des personnes, en particulier des enfants, ou des animaux familiers se trouvent à proximité.
- Les objets heurtés par les dents du scarificateur peuvent provoquer des blessures graves. Vérifiez avec soin la zone où vous allez utiliser la machine, et retirez-en tous les cailloux, bâtons, objets métalliques, câbles, os, jouets et autres objets étrangers. Rappelez-vous, de la ficelle ou du câble sont susceptibles de s'emmêler dans le dispositif de coupe.
- Utilisez le produit en plein jour ou sous un bon éclairage artificiel.
- N'utilisez pas la machine en atmosphère explosive, comme en présence de liquides inflammables, de gaz ou de poussières. L'outil peut produire des étincelles capables d'enflammer poussières et vapeurs.
- N'utilisez pas la machine dans l'herbe mouillée ou sous la pluie.
- N'utilisez pas la machine sur une surface pavée ou gravillonnée, la projection de ces matériaux pouvant causer des blessures.
- Utilisez le produit uniquement sur une surface plane, avec les deux mains, en se tenant derrière la barre de commande.
- Éviter d'utiliser le scarificateur par mauvais temps, tout particulièrement en cas de risque de foudre.
- Gardez à l'esprit que l'opérateur est responsable des accidents qui arrivent aux autres personnes présentes dans sa propriété.
- De tragiques accidents peuvent se produire si l'opérateur n'est pas conscient de la présence d'enfants. Ne considérez jamais comme acquis qu'un enfant restera là où vous l'avez vu pour la dernière fois.
- Maintenir les enfants éloignés de la zone de travail et sous la surveillance attentive d'un adulte responsable autre que l'opérateur, être prudent et arrêter le produit dès qu'un enfant entre dans la zone.

- Soyez particulièrement prudent lors de l'approche des angles morts, des buissons, des arbres et des autres objets, dont les arbustes en surplomb, qui peuvent bloquer la vue.

UTILISATION ET EMPLOI SOIGNEUX DES OUTILS ÉLECTRIQUES SANS FIL

- Lisez, comprenez et suivez toujours les instructions de sécurité qui accompagnent votre batterie et son chargeur. Le non-respect de cette consigne pourrait entraîner une décharge électrique, un incendie ou autres situations dangereuses. Gardez toutes les instructions ensemble en lieu sûr pour vous-y reporter ultérieurement.
- Les appareils alimentés par batterie n'ont pas à être branchés sur le secteur; ils sont donc en permanence en état de fonctionner. Retirez la clé d'isolation lorsque vous ne vous servez pas du produit.
- Retirez le bloc de batteries avant toute opération de réglage, de nettoyage, ou de retrait de corps étrangers de l'appareil.
- Assurez-vous que la clé coupe-contact a été retirée avant d'insérer le pack batterie.
- Un pack batterie ne peut être rechargé qu'à l'aide du chargeur préconisé par le fabricant. L'utilisation d'un chargeur avec un pack batterie incompatible peut entraîner un risque d'incendie. N'utilisez le pack batterie qu'avec le chargeur indiqué.
- N'utilisez que le bloc de batterie spécifiquement prévu pour la machine. L'utilisation de tout autre pack batterie peut entraîner un incendie, une décharge électrique, ou des blessures.
- Lorsqu'un bloc de batterie n'est pas utilisé, maintenez-le à l'écart de tout autre objet métallique, par exemple trombones, pièces de monnaie, clés, clous, vis ou autres objets de petite taille qui peuvent donner lieu à une connexion d'une borne à une autre. La mise en court-circuit des bornes du pack batterie pourrait causer des étincelles, des brûlures, un incendie, ou une explosion.
- Ne mettez pas les appareils alimentés par batterie ni leur batterie à proximité du feu ou d'une source de chaleur. Ceci augmente les risques d'explosion et de blessures.
- N'ouvrez pas et n'abîmez pas le pack batterie. Les fuites d'électrolyte sont corrosives et sont susceptibles de causer des dommages aux yeux ou à la peau. L'électrolyte peut être toxique en cas d'ingestion.
- Protégez le bloc de batterie de l'humidité et de l'eau. Ne rechargez pas cet appareil en milieu humide ou mouillé. Respecter cette règle permet de réduire le risque de choc électrique.
- Si la batterie est endommagée ou utilisée de façon inappropriée, des vapeurs sont susceptibles d'être émises. Aérez les lieux et contactez un médecin en cas de gêne. Les vapeurs peuvent irriter le système respiratoire.
- Ne laissez pas le pack batterie dans un véhicule sous des conditions de température froides ou chaudes.
- N'incinerez pas la batterie.

- En cas d'utilisation abusive, du liquide peut sortir du bloc de batterie. Évitez tout contact avec ce liquide. En cas de contact accidentel, rincez soigneusement avec de l'eau. En cas de contact avec les yeux, consultez également un médecin. Le liquide qui sort du bloc de batterie peut entraîner des irritations de la peau ou causer des brûlures.

AVERTISSEMENT DE SÉCURITÉ RELATIF AU SCARIFICATEUR ET À L'AÉRATEUR

- Les dents du produit sont tranchantes. Soyez particulièrement prudent et portez des gants solides lorsque vous mettez en place, remplacez, nettoyez ou vérifiez le bon serrage de ses boulons.
- Vérifier que l'ensemble des vis, écrous, boulons et autres fixations sont correctement fixées, et que les protections et les grilles sont en place. Remplacez toute étiquette endommagée ou illisible.
- Remplacez les éléments usés ou endommagés avant d'utiliser le produit.
- Installer le collecteur de débris avant de procéder à la scarification. Vider le collecteur de débris lorsqu'il est plein et le réinstaller avant de réutiliser la machine.
- Le produit doit être démonté avec l'utilisateur se tenant derrière le guidon dans la zone de sécurité de l'opérateur. Ne démarrez jamais le produit si:
 - l'ensemble des quatre roues ne repose pas sur le sol
 - La chute d'évacuation des débris est exposée et n'est pas protégée par le collecteur de débris et e cache de chute d'évacuation des débris.
- N'utilisez jamais le produit si l'interrupteur Marche/Arrêt du guidon n'est pas en état de bien démarrer et arrêter le produit.
- Ne jamais verrouiller les interrupteurs de marche/arrêt en position de marche. Une telle action est extrêmement dangereuse.
- Ne faites pas forcer le produit. Il effectuera un meilleur travail dans de meilleures conditions de sécurité s'il est utilisé à la vitesse pour laquelle il a été conçu.
- Arrêter les dents lors du passage sur les surfaces gravillonnées.
- Soyez particulièrement prudent lors du changement de sens de rotation ou lorsque vous tirez le produit vers vous.
- Arrêter les dents si le produit doit être incliné à des fins de transport pour franchir des surfaces autres que de l'herbe, ainsi que pour amener le produit à la zone de travail et le ramener.
- Ne jamais utiliser le produit si les protections sont défectueuses, avec ou sans dispositifs de sécurité s'il est utilisé (ex. : déflecteurs et/ou collecteur de débris).
- Ne pas incliner le produit lors de la mise en marche du moteur, sauf si la machine doit être inclinée pour pouvoir démarrer. En cas de nécessité absolue, vous pouvez soulever uniquement la partie éloignée de l'opérateur. Veiller toujours à avoir les deux mains en position de fonctionnement avant de remettre la machine au sol.



- Mettre prudemment le produit sous tension en respect des instructions et maintenir les mains et les pieds éloignés des dents. Ne mettez pas vos pieds ou vos mains sous les pièces en rotation ou à leur proximité. Restez en permanence à l'écart de la trappe d'éjection.
- Ne transportez ni ne soulevez jamais le produit lorsque son moteur tourne.
- Arrêtez le produit et débranchez-le du secteur. Assurez-vous que tous les éléments en mouvement se sont bien arrêtés:
 - chaque fois que vous laissez le produit sans surveillance (y-compris lorsque vous videz le sac de ramassage de l'herbe).
 - avant de nettoyer un blocage ou de décolmater la goulotte d'éjection ;
 - avant de travailler sur le produit, de le vérifier ou de le nettoyer
 - après avoir heurté un objet étranger ; vérifiez l'absence de dommages sur l'appareil et effectuez les éventuelles réparations nécessaires avant de redémarrer la machine et de l'utiliser.
- Si le bruit commence à vibrer de manière anormale, effectuez immédiatement les tâches suivantes :
 - vérifiez les dommages éventuels
 - remplacez ou réparez toute pièce endommagée
 - vérifiez l'absence d'éléments desserrés et resserrez-les au besoin
- Évitez trous, racines, monticules, pierres et autres objets cachés. Un terrain accidenté peut provoquer une glissade et une chute entraînant un accident.
- Relâcher immédiatement la barre de commande et se tenir à distance du produit dans les cas suivants :
 - le produit prend feu ;
 - la protection et/ou le boîtier est cassé ;
 - un son anormal retentit.
 - un accident ou une panne pourrait survenir
- Assurez-vous toujours que le câble de commande du moteur n'est jamais coincé, pincé ou endommagé au cours du montage ou du repliage du guidon.

⚠ AVERTISSEMENT

S'assurer que les dents sont complètement immobilisées avant de retirer ou d'installer le collecteur de débris.

⚠ AVERTISSEMENT

Ne pas toucher les pièces dangereuses en mouvement avant d'avoir débranché le produit de l'alimentation électrique et avant l'arrêt complet des pièces dangereuses en mouvement.

MISES EN GARDE DE SÉCURITÉ SUPPLÉMENTAIRES CONCERNANT LA BATTERIE

⚠ AVERTISSEMENT

Pour réduire le risque d'incendie, de blessures ou d'endommagement du produit causé par un court-circuit, n'immergez jamais l'outil, le bloc de batterie ou le chargeur dans du liquide, et ne laissez jamais de liquide pénétrer dans aucun d'entre eux. Les fluides corrosifs ou conducteurs, tels que l'eau de mer, certains produits chimiques industriels, les produits de blanchiment ou contenant des agents de blanchiment, etc. peuvent provoquer un court-circuit.

SURCHARGE DU DISPOSITIF DE PROTECTION

Le produit possède un dispositif de protection contre la surcharge. Lorsqu'une surcharge est détectée, l'appareil s'éteint automatiquement. Si la protection de surcharge est activée, il faut laisser le moteur refroidir pendant 5 à 10 minutes.

Arrêtez le produit et débranchez-le du secteur. Les dents sont tranchantes, porter des gants de haute résistance avant de les toucher. S'assurer que les dents peuvent tourner librement, qu'elles ne sont pas bloquées ou entravées.

Lorsque le moteur a refroidi, brancher la prise à l'alimentation et mettre le produit sous tension. Appuyez sur le bouton Start (Démarrage) puis sur le bouton On-off (marche-arrêt) pour démarrer le produit. Si le produit ne démarre toujours pas, le confier à un centre d'entretien agréé à des fins d'entretien.

CONSEILS GÉNÉRAUX EN MATIÈRE DE SCARIFICATION

- Ajuster la profondeur de coupe en fonction des besoins de votre pelouse et de la longueur de l'herbe.
- Tondre la pelouse et appliquer un composant anti-mousse une semaine avant de scarifier la pelouse si celle-ci présente des problèmes de mousse.
- Arroser la pelouse plusieurs jours avant de procéder à la scarification afin de veiller à ce que celle-ci soit humide, mais pas détrempée.

TRANSPORT ET STOCKAGE

- Débarrassez l'appareil de tous les corps étrangers. Rangez le produit dans un endroit frais, sec et correctement ventilé, hors de portée des enfants. Ne le rangez pas à proximité d'agents corrosifs tels que des produits chimiques de jardinage ou des sels de dégel. Ne le rangez pas à l'extérieur.
- Pour le transport, attachez le produit pour l'empêcher de bouger ou de tomber, afin d'éviter toute blessure et tout dommage matériel.





⚠ AVERTISSEMENT

Soyez particulièrement prudent lorsque vous inclinez ou soulevez la machine pour l'entretenir, la nettoyer, la ranger ou la transporter. Les dents sont tranchantes. Tenir tous les membres du corps à distance des dents lorsque celles-ci sont exposées.

TRANSPORT DES BATTERIES AU LITHIUM

Transportez les batteries en conformité avec les dispositions et règlements locaux et nationaux.

Respectez tous les exigences légales particulières concernant l'emballage et l'étiquetage des batteries lorsque vous confiez leur transport à un tiers. Assurez-vous qu'aucune batterie ne puisse entrer en contact avec une autre batterie ou avec des matériaux conducteurs lors de son transport en isolant les bornes électriques avec du ruban adhésif ou des capuchons isolants. Ne transportez pas une batterie qui serait fendue ou qui fuirait. Demandez conseil au transporteur pour de plus amples informations.

ENTRETIEN

⚠ AVERTISSEMENT

N'utilisez que des pièces détachées et accessoires d'origine constructeur. Le non-respect de cette précaution peut entraîner de mauvaises performances, des blessures, et annuler votre garantie.

⚠ AVERTISSEMENT

Les opérations d'entretien demandent un soin et des connaissances extrêmes et ne doivent être effectuées que par un technicien de service qualifié. Confier l'entretien du produit à un centre d'entretien agréé. N'utilisez que des pièces détachées identiques pour effectuer les réparations.

- Lorsque le produit est arrêté à des fins d'entretien, d'inspection, de stockage ou de remplacement d'un accessoire, couper l'alimentation, déconnecter le produit de l'alimentation et s'assurer que toutes les pièces en mouvement sont complètement immobilisées. Laissez la machine refroidir avant toute vérification, tout réglage, etc. Effectuer minutieusement l'entretien du produit et le maintenir propre.
- Vérifier fréquemment que le collecteur de débris n'est pas usé, qu'il ne présente pas de trous et qu'il n'est pas détérioré.
- Vous pouvez effectuer les réglages et réparations décrits dans ce manuel. Pour les autres réparations, contactez un service après-vente agréé.
- Pour des raisons de sécurité, remplacez toute pièce usée ou endommagée. N'utilisez que des accessoires et pièces détachées d'origine.
- Après chaque utilisation, utilisez un chiffon propre et sec pour nettoyer le produit. Toute pièce endommagée doit être correctement remplacée ou réparée par un service après-vente agréé.

- Vérifiez régulièrement le bon serrage des écrous, vis et boulons pour que le produit soit toujours en bon état de fonctionnement.
- Lors du réglage du produit, veiller à ne pas se bloquer les doigts entre les dents en mouvement et les parties fixes du produit.
- Lors de l'entretien des dents, être conscient du fait que, même si la source d'alimentation est désactivée, les dents peuvent toujours être déplacées.
- Les dents du produit sont tranchantes. Soyez particulièrement prudent et portez des gants solides lorsque vous mettez en place, remplacez, nettoyez ou vérifiez le bon serrage de ses boulons.

RETIRER LES BLOCAGES

- Arrêtez le produit et débranchez-le du secteur.
- Portez toujours des gants de protection épais lorsque vous vérifiez et dégagez un blocage.
- Les dents sont tranchantes. Le blocage peut être provoqué par un objet tranchant.
- Retirer le collecteur de débris, vérifier et éliminer prudemment les obstructions.
- Vérifiez la goulotte d'éjection de l'herbe du point de vue des blocages et éliminez-les prudemment.
- Tourner le produit sur le côté, vérifier sa partie inférieure et la zone autour de la lame. Retirer soigneusement tout éventuel blocage. Ne pas oublier que les dents peuvent bouger durant le nettoyage.

RISQUES RÉSIDUELS

Même lorsque le produit est utilisé selon les prescriptions, il reste impossible d'éliminer totalement certains facteurs de risque résiduels. Les dangers suivants risquent de se présenter en cours d'utilisation et l'utilisateur doit prêter particulièrement garde à ce qui suit:

- Blessures dues aux vibrations
 - Utilisez toujours l'outil adapté au travail à effectuer. Utiliser les poignées prévues à cet effet. Limiter la durée de travail et l'exposition.
- Blessures dues au bruit.
 - L'exposition au bruit peut provoquer des pertes d'audition. Portez une protection auditive et limitez le temps d'exposition
- risque de blessures en cas de contact avec les dents
- Blessure causée par des objets projetés.

RÉDUCTION DES RISQUES

Il a été reporté que les vibrations engendrées par les outils tenus à la main peuvent contribuer à l'apparition d'un état appelé le syndrome de Raynaud chez certaines personnes. Les symptômes peuvent comprendre des fourmillements, un engourdissement et un blanchiment des doigts, généralement par temps froid. Des facteurs héréditaires, l'exposition au froid et à l'humidité, le régime alimentaire, le tabagisme et les habitudes de travail peuvent contribuer au développement de ces symptômes. Certaines mesures peuvent être prises par l'utilisateur pour aider à réduire les effets des vibrations:

EN
FR
DE
ES
IT
NL
PT
DA
SV
FI
NO
PL
RU
CS
HU
RO
LV
LT
ET
HR
SL
SK
BG
UK
TR



- Gardez votre corps au chaud par temps froid. Lorsque vous utilisez le produit, portez des gants afin de garder vos mains et vos poignets au chaud. Le temps froid est considéré comme un facteur contribuant très largement à l'apparition du Syndrome de Raynaud.
- Après chaque session de travail, pratiquez des exercices qui favorisent la circulation sanguine.
- Faites des pauses fréquentes. Limitez la quantité d'exposition journalière.

Si vous ressentez l'un des symptômes associés à ce syndrome, arrêtez immédiatement le travail et consultez votre médecin pour lui en faire part.

⚠ AVERTISSEMENT

L'utilisation prolongée d'un outil est susceptible de provoquer ou d'aggraver des blessures. Assurez-vous de faire des pauses de façon régulière lorsque vous utilisez tout outil de façon prolongée.

APPRENEZ À CONNAÎTRE VOTRE PRODUIT

Voir page 134.

1. Interrupteur
2. Poignées
3. Déclencheurs
4. Poignée supérieure
5. Molettes
6. Clé hexagonale
7. Dents
8. Bouton de commande
9. Roues arrière
10. Roues avant
11. Batterie
12. Chargeur
13. Aérateur
14. Levier de réglage de hauteur de coupe
15. Couvercle de la batterie
16. Trappe arrière
17. Collecteur de débris
18. Poignée inférieure
19. Câblage

SYMBOLES APPLIQUES SUR LE PRODUIT



Alerte de sécurité



Veillez lire attentivement le mode d'emploi avant de démarrer la machine.



Portez une protection auditive.



Portez une protection oculaire.



N'exposez pas ce produit à la pluie ou à des conditions humides.



Prenez garde à la projection d'objets au sol et dans les airs. Gardez tous les passants, en particulier les enfants et les animaux, éloignés d'au moins 15 m de distance de la zone de travail.



Attention aux dents tranchantes. Les dents continuent à tourner une fois le moteur éteint. Retirer la clé de contact avant tout entretien.



Ne travaillez pas dans des pentes supérieures à 15°. Utilisez le produit transversalement par rapport à la pente, jamais en la remontant ou en la descendant.



Largeur de travail : 35 cm



Les produits électriques hors d'usage ne doivent pas être jetés avec les ordures ménagères. Recyclez-les par l'intermédiaire des structures disponibles. Contactez les autorités locales ou votre distributeur pour vous renseigner sur les conditions de recyclage.



Cet outil est conforme à l'ensemble des normes réglementaires du pays de l'UE où il a été acheté.



Marque de qualité EurAsian



Marque de conformité ukrainienne



Le niveau de puissance acoustique garanti indiqué sur cette étiquette est de 95 dB.

SYMBOLES DE CE MANUEL



Pièces détachées et accessoires vendus séparément



Remarque



Avertissement

Les symboles suivants, et les noms qui leur sont associés, permettent d'expliquer les différents niveaux de risques liés à l'utilisation de cet outil.



⚠ DANGER

Imminence d'un danger qui, si l'on n'y prend garde, peut entraîner la mort ou des blessures graves.

⚠ AVERTISSEMENT

Situation potentiellement dangereuse qui, si l'on n'y prend garde, peut entraîner la mort ou des blessures graves.

⚠ ATTENTION

Situation potentiellement dangereuse qui, si l'on n'y prend garde, peut entraîner des blessures moyennes ou légères.

ATTENTION

Sans symbole d'alerte de sécurité
Indique une situation pouvant entraîner des dommages matériels.

EN

FR

DE

ES

IT

NL

PT

DA

SV

FI

NO

RU

PL

CS

HU

RO

LV

LT

ET

HR

SL

SK

BG

UK

TR



Sicherheit, Leistung und Zuverlässigkeit hatten oberste Priorität bei der Entwicklung Ihres Akku-Vertikutierers oder -Rasenlüfters.

BESTIMMUNGSGEMÄSSE VERWENDUNG

Der Akku-Vertikutierer oder -Rasenlüfter ist ausschließlich zur Nutzung im Freien geeignet. Beim Vertikutieren bzw. Lüften sollten alle vier Räder den Boden berühren.

Das Gerät ist mit Zinken ausgestattet und wurde zum Vertikutieren des Rasens im Privatgebrauch konzipiert.

Das Gerät ist mit einem Rasenlüfterzubehör ausgestattet und wurde zum Erzeugen von Löchern im Boden konzipiert, wodurch die Bodenverdichtung verringert wird.

Das Gerät ist ein von einem Fußgänger zu kontrollierender Rasenvertikutierer, der von Hand geschoben wird. Das Gerät darf weder gezogen noch zum Reiten genutzt werden. Es sollte ausschließlich zum Belüften von Rasenflächen im Privatgebrauch verwendet werden.

Es darf zu keinen anderen Zwecken verwendet werden.

ALLGEMEINE SICHERHEITSHINWEISE FÜR ELEKTROWERKZEUGE

WARNUNG

Die Sicherheitsregeln müssen befolgt werden, wenn dieses Produkt benutzt wird. Lesen Sie für Ihre eigene Sicherheit und die von Außenstehenden diese Anweisungen, bevor Sie das Produkt benutzen. Bitte bewahren Sie die Anweisungen zum späteren Nachschlagen auf.

WARNUNG

Das Produkt sollte nur mit dem Akku verwendet werden, der in dieser Bedienungsanleitung spezifiziert ist. Bei der Verwendung von akkubetriebenen Geräten müssen jederzeit grundsätzliche Vorsichtsmaßnahmen befolgt werden, um das Risiko eines Feuers, auslaufender Akkus und von Verletzungen zu reduzieren.

SICHERHEIT VON PERSONEN

- Das Produkt ist in der Lage Hände und Füße zu amputieren und Gegenstände zu schleudern. Sollten Sie diese Hinweise nicht beachten, so kann dies schwere Personenschäden hervorrufen bis hin zum Tod.
- Machen Sie sich mit den Bedienelementen und dem ordnungsgemäßen Gebrauch des Produktes vertraut.
- Erlauben Sie niemals Kinder oder Personen mit verminderten physischen, geistigen oder sensorischen Fähigkeiten oder Personen, die mit diesen Anweisungen nicht vertraut sind, das Produkt zu bedienen, reinigen oder zu warten. Die lokale Gesetzgebung regelt das Mindestalter des Benutzers. Kinder müssen ausreichend beaufsichtigt werden, so dass gewährleistet ist, dass sie nicht mit dem Produkt spielen.

- Bleiben Sie wachsam, achten Sie auf das was Sie tun und verwenden Sie bei der Benutzung des Gerätes Ihren gesunden Menschenverstand. Benutzen Sie das Gerät nicht wenn Sie müde sind oder unter dem Einfluss von Alkohol, Drogen oder Medikamenten stehen. Ein unkonzentrierter Moment während der Bedienung der Maschine kann zu schweren Verletzungen führen.
- Tragen Sie lange, schwere Hosen, Kleidung mit langen Ärmeln und rutschfeste Stiefel. Keine kurze Hosen, Sandalen tragen oder barfuß arbeiten. Vermeiden Sie lockere Kleidung oder Kleidung mit Schnüren oder Bändern zu tragen.
- Tragen Sie eine Schutz- oder Sicherheitsbrille mit Seitenschutz.
- Vermeiden Sie eine abnormale Körperhaltung. Achten Sie immer auf einen festen Stand, besonders bei der Arbeit an Hängen. Sorgen Sie für einen sicheren Stand und halten Sie das Gleichgewicht. Gehen Sie immer, laufen Sie nie.
- Benutzen Sie das Produkt quer entlang von Hängen, niemals nach oben und unten. Seien Sie extrem vorsichtig, wenn Sie auf Hängen die Räumrichtung wechseln.
- Verwenden Sie das Produkt nicht am Rand von Abhängen, Gräben, übermäßigen Steigungen oder Böschungen. Ein unsicherer Stand kann zum Ausrutschen und dadurch zu Unfällen führen.

ARBEITSPLATZSICHERHEIT

- Benutzen Sie nicht das Produkt, wenn andere Personen, insbesondere Kinder, in der Nähe sind.
- Durch die Zinken des Vertikutierers in die Luft geschleuderte Gegenstände können schwere Verletzungen verursachen. Untersuchen Sie den Bereich, in dem die Maschine verwendet werden soll, gründlich und entfernen Sie alle Steine, Stöcke, Metall, Draht, Knochen, Spielzeug oder andere fremde Objekte. Vergessen Sie nicht, Schnur oder Draht kann sich in dem Schneidwerkzeug verfangen.
- Mähen Sie immer im Tageslicht oder bei guter künstlicher Beleuchtung.
- Betreiben Sie die Maschine nicht in einer explosiven Atmosphäre, wie in der Umgebung von brennbaren Flüssigkeiten, Gasen oder Staub. Das Produkt erzeugt Funken, die den Staub oder die Dämpfe entzünden können.
- Betreiben Sie das Produkt nicht in nassem Gras oder im Regen.
- Betreiben Sie diese Maschine nicht auf gepflastertem Untergrund oder Schotter, wo ausgeworfenes Material zu Verletzungen führen könnte.
- Betreiben Sie das Gerät ausschließlich auf ebenen Böden und mit beiden Händen, wobei sich der Bediener hinter dem Griff befindet.
- Benutzen Sie den Vertikutierer nicht bei schlechtem Wetter, vor allem nicht bei Gefahr eines Gewitters.
- Vergessen Sie nie, dass der Benutzer verantwortlich ist für Unfälle und Gefahren, die an Eigentum Fremder oder an anderen Personen entstehen könnte.



- Es können schwere Unfälle entstehen, wenn der Benutzer die Anwesenheit von Kindern nicht beachtet. Nehmen Sie nicht an, dass Kinder sich dort aufhalten werden, wo Sie sie zuletzt gesehen haben.
- Halten Sie Kinder aus dem Arbeitsbereich fern, sie sollten unter der aufmerksamen Aufsicht eines anderen verantwortlichen Erwachsenen als dem Bediener stehen; seien Sie aufmerksam und schalten Sie das Gerät aus, wenn ein Kind den Bereich betritt.
- Seien Sie vorsichtig, wenn Sie sich blinden Ecken, Sträuchern, Bäumen, überhängenden Buschwerke oder anderen Objekten nähern, die Ihre Sicht beeinträchtigen könnten.

VERWENDUNG UND BEHANDLUNG DES AKKUWERKZEUGES

- Lesen, verstehen und befolgen Sie immer die mit Ihrem Akku und Ladegerät gelieferten Sicherheitsanweisungen. Nichtbefolgen kann zu Stromschlag, Feuer oder anderen gefährlichen Situationen führen. Halten Sie alle Anweisungen zum späteren Nachlesen an einem sicheren Ort beisammen.
- Akkubetriebene Produkte müssen nicht an eine Steckdose angeschlossen werden; sie sind daher jederzeit betriebsbereit. Entfernen Sie den Sicherheitsschlüssel immer, wenn Sie Ihr Produkt nicht benutzen.
- Entfernen Sie den Akku, bevor Sie Einstellungen vornehmen, Reinigen oder Material von dem Gerät entfernen.
- Stellen Sie sicher, dass der Sicherheitsschlüssel entfernt ist, bevor Sie den Akku einlegen.
- Ein Akku darf nur mit dem vom Hersteller vorgeschriebenen Ladegerät aufgeladen werden. Die Benutzung eines Ladegerätes mit einem inkompatiblen Akku kann ein Feuerrisiko verursachen. Verwenden Sie den Akku ausschließlich mit dem angegebenen Ladegerät.
- Verwenden Sie nur den speziell für dieses Gerät vorgesehenen Akku. Die Verwendung anderer Akkus kann zu Feuergefahr, Stromschlägen oder Verletzungen führen.
- Halten Sie den nicht benutzten Akku fern von Büroklammern, Münzen, Schlüsseln, Nägeln, Schrauben oder anderen kleinen Metallgegenständen, die eine Überbrückung der Kontakte verursachen könnten. Ein Kurzschluss zwischen den Akkukontakten kann Verbrennungen oder Feuer zur Folge haben.
- Halten Sie batteriebetriebene Produkte bzw. deren Akkus von Feuer und Hitze fern. Das erhöht das Explosions- und Verletzungsrisiko.
- Öffnen oder beschädigen Sie den Akku nicht. Freigesetztes Elektrolyt ist ätzend und kann zu einer Schädigung von Augen oder Haut führen. Es kann bei Verschlucken toxisch wirken.
- Schützen Sie den Akku vor Feuchtigkeit und Wasser. Laden Sie das akkubetriebene Gerät nicht an feuchten oder nassen Orten auf. Durch Befolgung dieser Anweisung wird das Risiko von elektrischen Schlägen verringert.

- Im Fall einer Beschädigung oder nicht ordnungsgemäßen Verwendung des Akkus, können Dämpfe austreten. Sorgen Sie für frische Luft und suchen Sie bei Beschwerden einen Arzt auf. Die Dämpfe können zu einer Reizung des Atemsystems führen.
- Lassen Sie den Akkupack nicht bei heißen oder kalten Bedingungen in einem Fahrzeug.
- Verbrennen Sie den Akku nicht.
- Bei falscher Anwendung kann Flüssigkeit aus dem Akku austreten. Vermeiden Sie den Kontakt damit. Bei zufälligem Kontakt mit Wasser abspülen. Wenn die Flüssigkeit in die Augen kommt, nehmen Sie zusätzlich ärztliche Hilfe in Anspruch. Austretende Akkuflüssigkeit kann zu Hautreizungen oder Verbrennungen führen.

SICHERHEITSHINWEISE ZUM VERTIKUTIERER UND RASENLÜFTER

- Die Zinken am Gerät sind scharf. Seien Sie vorsichtig und tragen Sie feste Schutzhandschuhe, wenn Sie etwas montieren, austauschen, reinigen oder den Sitz von Schrauben überprüfen.
- Prüfen Sie, ob alle Schrauben, Muttern, Bolzen und andere Verschlüsse ordnungsgemäß gesichert und Schutzvorrichtungen und Sortierer angebracht sind. Ersetzen Sie beschädigte oder unleserliche Etiketten.
- Ersetzen Sie abgenutzte oder beschädigte Teile, bevor Sie das Produkt in Betrieb nehmen.
- Installieren Sie vor dem Vertikutieren den Auffangbehälter für Schmutz. Leeren Sie den Auffangbehälter für Schmutz, wenn er voll ist, und bringen Sie ihn erneut an, bevor Sie das Gerät wieder einschalten.
- Das Produkt darf nur gestartet werden, während der Benutzer sich hinter dem Griff in dem sicheren Bereich für den Benutzer befindet. Starten Sie das Produkt niemals, wenn:
 - Nicht alle vier Räder auf dem Boden stehen.
 - Der Auswurfkanal für Schmutz liegt offen und wird vom Auffangbehälter für Schmutz und der Abdeckung des Auswurfkanals nicht geschützt.
- Betreiben Sie das Produkt niemals, wenn der An-/Ausschalter am Handgriff das Produkt nicht ordnungsgemäß an- oder ausschaltet.
- Versuchen Sie niemals den An-/Ausschalter in der AN Position zu verriegeln; das ist extrem gefährlich.
- Betätigen Sie das Produkt nicht mit Gewalt. Es wird die Arbeit mit der Geschwindigkeit, für die es ausgelegt wurde, besser und sicherer erledigen.
- Halten Sie die Zinken beim Überqueren von Kiesoberflächen an.
- Seien Sie äußerst vorsichtig, wenn Sie sich rückwärts bewegen, oder das Produkt zu sich ziehen.
- Halten Sie die Zinken an, wenn das Gerät zum Transport über andere Böden als Gras gekippt werden muss und wenn Sie das Gerät zum und vom Arbeitsbereich transportieren.





- Benutzen Sie das Gerät niemals, wenn Schutzvorrichtungen oder Schilde beschädigt sind, oder ohne Sicherheitssysteme, z. B. Prallbleche und/oder Auffangbehälter für Schmutz.
- Kippen Sie das Gerät beim Einschalten des Motors nicht, es sei denn, das Gerät muss zum Starten gekippt werden. Wenn dies absolut notwendig ist, kann der vom Bediener abgewandte Teil angehoben werden. Stellen Sie immer sicher, dass sich beide Hände in der Betriebshaltung befinden, bevor Sie das Gerät auf den Boden stellen.
- Schalten Sie das Gerät vorsichtig gemäß der Anleitung ein und halten Sie die Hände und Füße von den Zinken fern. Halten Sie Ihre Hände oder Füße nicht in die Nähe von oder unter rotierende Teile. Halten Sie den Bereich der Auswurföffnung stets frei.
- Heben oder tragen Sie niemals das Produkt mit laufendem Motor.
- Schalten Sie das Produkt aus und trennen es von der Stromversorgung. Stellen Sie sicher, dass alle bewegenden Teile vollständig angehalten sind:
 - Immer wenn Sie das Produkt unbeaufsichtigt zurücklassen (einschließlich wenn Sie den Grasschnitt entsorgen).
 - Bevor Sie eine Blockierung entfernen oder die Auswurföffnung reinigen
 - Bevor Sie das Produkt prüfen, reinigen oder daran arbeiten,
 - Nachdem Sie einen Fremdkörper getroffen haben; überprüfen Sie das Gerät auf Schäden und führen alle notwendigen Reparaturen durch, bevor Sie das Produkt wieder starten.
- Wenn das Produkt anfängt, ungewöhnlich zu vibrieren, sofort überprüfen um:
 - überprüfen Sie das Produkt auf Schäden
 - beschädigte Teile zu ersetzen oder reparieren
 - zu überprüfen, ob Teile locker sind und sie festzuziehen, wenn erforderlich
- Vermeiden Sie Löcher, Furchen, Unebenheiten, Steine oder sonstige versteckte Objekte. Unebenes Terrain birgt eine Rutsch- und Unfallgefahr.
- Lassen Sie den Griff sofort los und halten Sie sich vom Gerät fern, wenn:
 - das Gerät Feuer fängt
 - der Schutz und/oder das Gehäuse kaputt ist
 - das Gerät ungewöhnliche Geräusche erzeugt
 - bei Unfällen oder Beschädigungen
- Stellen Sie immer sicher, dass das Motorkontrollkabel bei der Montage oder dem Einklappen des Griffs niemals eingeklemmt oder anderweitig beschädigt wird.

⚠ WARNUNG

Stellen Sie sicher, dass die Zinken vollständig stillstehen, bevor Sie den Auffangbehälter für Schmutz entfernen oder anbringen.

⚠ WARNUNG

Berühren Sie keine sich noch bewegenden gefährlichen Teile, trennen Sie das Produkt zunächst von der Stromversorgung und warten Sie ab, bis alle gefährlichen Teile zum vollständigen Stillstand gekommen sind.

WEITERE SICHERHEITSHINWEISE ZUM AKKU

⚠ WARNUNG

Um die durch einen Kurzschluss verursachte Gefahr eines Brandes, von Verletzungen oder Produktbeschädigungen zu vermeiden, tauchen Sie das Werkzeug, den Wechselakku oder das Ladegerät nicht in Flüssigkeiten ein und sorgen Sie dafür, dass keine Flüssigkeiten in die Geräte und Akkus eindringen. Korrodierende oder leitfähige Flüssigkeiten, wie Salzwasser, bestimmte Chemikalien und Bleichmittel oder Produkte, die Bleichmittel enthalten, können einen Kurzschluss verursachen.

ÜBERLAST-SCHUTZEINRICHTUNG

Das Produkt hat eine Überlast-Schutzeinrichtung. Wenn eine Überlastung entdeckt wird, schaltet sich das Produkt automatisch aus. Wird die Überlastschutz ausgelöst wird, müssen Sie den Motor für 5-10 Minuten abkühlen lassen.

Schalten Sie das Produkt aus und trennen es von der Stromversorgung. Ziehen Sie Arbeitshandschuhe an, bevor Sie die Zinken berühren, da diese scharf sind. Stellen Sie sicher, dass sich die Zinken frei drehen können und nicht eingeklemmt oder locker sind.

Nachdem sich der Motor abgekühlt hat, stecken Sie den Stecker in die Steckdose und schalten Sie das Gerät ein. Drücken Sie den Startknopf und dann den An-/Ausshalter, um das Produkt zu starten. Wenn das Gerät nicht startet, lassen Sie es nur von einem autorisierten Servicecenter warten.

ALLGEMEINE TIPPS ZUM VERTIKUTIEREN

- Stellen Sie die Schnitttiefe entsprechend der Notwendigkeit für Ihren Rasen und der Graslänge ein.
- Wenn bei Ihrem Rasen ein Moosproblem aufgetreten ist, mähen Sie Ihren Rasen eine Woche, bevor Sie vertikutieren wollen, und tragen Sie einen Moosenferner auf.
- Gießen Sie Ihren Rasen einige Tage vor dem Vertikutieren, um sicherzustellen, dass Ihr Rasen feucht, aber nicht zu nass ist.

TRANSPORT UND LAGERUNG

- Entfernen Sie alle Fremdkörper vom Produkt. Lagern Sie das Produkt an einem kühlen, trockenen und gut belüfteten Ort, der Kindern keinen Zugang bietet. Von korrodierend wirkenden Stoffen, wie Gartenchemikalien und Enteisungssalzen, fernhalten. Nicht im Freien lagern.





- Sichern Sie die Maschine beim Transport gegen Bewegung oder Herunterfallen, um Verletzungen und Beschädigung der Maschine zu verhindern.

⚠ WARNUNG

Seien Sie extrem vorsichtig, wenn Sie die Maschine zur Wartung, Reinigung oder den Transport anheben oder kippen. Die Zinken sind scharf, halten Sie bei freigelegten Zinken alle Körperteile fern.

TRANSPORT VON LITHIUM-IONEN-AKKUS

Transportieren Sie Akkus gemäß Ihren örtlichen und nationalen Bestimmungen und Regeln.

Befolgen Sie alle besonderen Anforderungen für Verpackung und Beschriftung, wenn Sie Akkus von Dritten transportieren lassen. Stellen Sie sicher, dass beim Transport kein Akku in Kontakt mit anderen Akkus oder leitenden Materialien kommt, indem Sie die freien Anschlüsse mit Isolierband, nichtleitenden Kapfen oder Klebeband schützen. Beschädigte oder auslaufende Akkus dürfen nicht transportiert werden. Weitere Informationen erhalten Sie bei Ihrem Transportunternehmen.

WARTUNG UND PFLEGE

⚠ WARNUNG

Verwenden Sie ausschließlich original Ersatzteile, Zubehör und Aufsätze des Herstellers. Nichtbefolgung kann mögliche Verletzungen oder schlechte Leistung verursachen und Ihre Garantie ungültig machen.

⚠ WARNUNG

Service und Wartung des Gerätes erfordert besonderen Sorgfalt und Kenntnisstand und sollte nur durch qualifiziertes Personal durchgeführt werden. Lassen Sie das Gerät nur von einem autorisierten Servicecenter warten. Beim Service dürfen Sie nur originale Ersatzteile benutzen.

- Wenn das Gerät zwecks Wartung, Inspektion oder Aufbewahrung oder zum Wechseln eines Zubehörs angehalten wird, schalten Sie die Stromversorgung aus, unterbrechen Sie die Stromversorgung und stellen Sie sicher, dass alle beweglichen Teile vollständig stillstehen. Lassen Sie die Maschine vor jeder Inspektion, Einstellung usw. abkühlen. Warten Sie das Gerät vorsichtig und halten Sie es sauber.
- Prüfen Sie den Schmutzfänger häufig auf Verschleiß, Löcher und Beschädigungen.
- Sie dürfen die in dieser Bedienungsanleitung beschriebenen Einstellungen und Reparaturen durchführen. Kontaktieren Sie Ihren autorisierten Kundendienst für andere Reparaturen.
- Ersetzen Sie aus Sicherheitsgründen abgenutzte oder beschädigte Teile. Verwenden Sie nur Original-Ersatzteile und Zubehör.

- Reinigen Sie das Produkt nach jeder Benutzung mit einem weichen, trockenen Lappen. Jedes beschädigte Teil muss durch den autorisierten Kundendienst ordnungsgemäß repariert oder ausgetauscht werden.
- Überprüfen Sie Bolzen, Muttern und Schrauben in regelmäßigen Abständen, ob sie alle fest angezogen sind, um somit sicherzustellen, dass das Produkt in einem sicheren Zustand ist.
- Seien Sie beim Einstellen des Geräts vorsichtig, um zu vermeiden, dass sich die Finger zwischen den sich bewegenden Zinken und den festen Teilen des Geräts verfangen.
- Beim Warten der Zinkenbaugruppe sollte Ihnen bewusst sein, dass sich die Zinkenbaugruppe bewegen kann, auch wenn die Energieversorgung abgeschaltet ist.
- Die Zinken am Gerät sind scharf. Seien Sie vorsichtig und tragen Sie feste Schutzhandschuhe, wenn Sie etwas montieren, austauschen, reinigen oder den Sitz von Schrauben überprüfen.

SIE EINE BLOCKIERUNG ENTFERNEN

- Schalten Sie das Produkt aus und trennen es von der Stromversorgung.
- Tragen Sie immer feste Schutzhandschuhe, wenn Sie eine Blockierung überprüfen und entfernen.
- Die Zinken sind scharf und die Blockade könnte durch einen scharfen Gegenstand entstanden sein.
- Entfernen Sie den Schmutzauffangbehälter, prüfen Sie ihn auf Hindernisse und entfernen Sie sie.
- Den Gras-Auswurfschacht auf Blockierungen prüfen und die Blockierung vorsichtig entfernen.
- Drehen Sie das Gerät auf die Seite und prüfen Sie die Unterseite und den Bereich um die Zinken. Wenn Sie Blockaden finden, entfernen Sie sie vorsichtig. Denken Sie daran, dass sich die Zinken während des Reinigens bewegen können.

RESTRISIKEN

Sogar wenn das Produkt wie vorgeschrieben benutzt wird, ist es unmöglich ein gewisses Restrisiko vollständig zu beseitigen. Die folgenden Gefahren können bei der Benutzung entstehen, und der Benutzer sollte besonders auf folgende Punkte achten:

- Durch Vibrationen verursachte Verletzungen.
 - Verwenden Sie für jede Arbeit das immer richtige Werkzeug. Benutzen Sie die vorgesehenen Griffe. Schränken Sie Arbeitszeit und Exposition ein.
- Durch Lärm verursachte Verletzungen.
 - Lärm kann zu Gehörschäden führen. Tragen Sie einen Gehörschutz und schränken Sie die Belastung ein.
- Verletzungen durch Kontakt mit den Zinken.
- Durch geschleuderte Objekte verursachte Verletzungen



RISIKOVERRINGERUNG

Vibrationen von in der Hand gehaltenen Werkzeugen können bei einigen Personen zu einem Zustand, der Raynaud-Syndrom genannt wird, führen. Symptome sind u.a. Kribbeln, Taubheitsgefühl und episodische Weißfärbung der Finger und treten normalerweise bei Kälte auf. Man geht davon aus, dass ererbte Faktoren, Kälte und Feuchtigkeit, Essgewohnheiten, Rauchen und Arbeitsweise zur Entwicklung dieser Symptome beitragen. Der Anwender kann Maßnahmen ergreifen, um die Auswirkungen der Vibrationen möglicherweise zu verringern:

- Halten Sie den Körper bei Kälte warm. Tragen Sie beim Betrieb des Produkts Handschuhe, um Hände und Handgelenke warm zu halten. Berichten zu Folge ist kaltes Wetter ein wesentlicher Faktor, der zum Raynaud Syndrom beiträgt.
- Betätigen Sie sich nach jedem Einsatz körperlich, um den Blutkreislauf zu steigern.
- Machen Sie regelmäßig Pausen. Beschränken Sie die Beanspruchung pro Tag.

Sollten bei Ihnen Symptome dieses Zustands auftreten, stellen Sie unverzüglich den Betrieb ein und suchen Sie in Hinsicht auf die Symptome einen Arzt auf.

⚠️ WARNUNG

Verletzungen können durch lange Benutzung eines Werkzeugs entstehen oder verschlimmert werden. Machen Sie regelmäßig Pause, wenn Sie ein Werkzeug für lange Zeit benutzen.

MACHEN SIE SICH MIT IHREM PRODUKT VERTRAUT

Siehe Seite 134.

1. Schaltknopf
2. Lenkergriffe
3. Abzugsbügel
4. Obere Lenkerstange
5. Knöpfe
6. Sechskantschlüssel
7. Zinken
8. Wechselschalter
9. Hinterräder
10. Vorderräder
11. Akku
12. Ladegerät
13. Rasenlüfterzubehör
14. Höheneinstellungshebel
15. Batterieabdeckung
16. Hintere Klappe
17. Schmutzauffangbehälter
18. Untere Lenkerbaugruppe
19. Verkabelung

SYMBOLE AUF DEM PRODUKT



Sicherheitswarnung



Bitte lesen Sie die Anweisungen sorgfältig, bevor Sie das Gerät einschalten.



Tragen Sie einen Gehörschutz.



Tragen Sie einen Augenschutz.



Nicht Regen oder feuchten Bedingungen aussetzen.



Achten Sie auf geschleuderte oder fliegende Objekte. Halten Sie unbeteiligte Personen (insbesondere Kinder und Tiere) mindestens 15m vom Arbeitsbereich fern.



Vorsicht vor den scharfen Zinken. Die Zinken rotieren nach dem Abschalten des Motors weiter. Ziehen Sie vor der Wartung den Trennschlüssel ab.



Nicht auf Schrägen größer als 15° benutzen. Benutzen Sie das Produkt quer entlang von Hängen, niemals nach oben und unten.



Funktioniert mit: 35 cm



Elektrische Geräte sollten nicht mit dem übrigen Müll entsorgt werden. Bitte entsorgen Sie diese an den entsprechenden Entsorgungsstellen. Wenden Sie sich an die örtliche Behörde oder Ihren Händler, um Auskunft über die Entsorgung zu erhalten.



Dieses Gerät entspricht allen gesetzlichen Normen des Landes der Europäischen Union, in dem es gekauft wurde.



EurAsian Konformitätszeichen



001

Ukrainisches Prüfzeichen



Der auf diesem Etikett angegebene garantierte Schalldruckpegel beträgt 95 dB.

SYMBOLE IN DIESER BEDIENUNGSANLEITUNG



Teile oder Zubehör getrennt erhältlich



HINWEIS



WARNUNG

Mit den folgenden Symbolen wird die Bedeutung der verschiedenen Risikostufen, die mit dem Produkt einhergehen, dargestellt.

⚠ GEFAHR

Weist auf eine unmittelbare gefährliche Situation hin, die, falls nicht vermieden, zu Tod oder ernsthafter Verletzung führen kann.

⚠ WARNUNG

Weist auf eine mögliche gefährliche Situation hin, die, falls nicht vermieden, zu Tod oder ernsthafter Verletzung führen kann.

⚠ VORSICHT

Weist auf eine mögliche gefährliche Situation hin, die, falls nicht vermieden, zu einer leichten oder mittleren Verletzung führen kann.

VORSICHT

Ohne Sicherheitswarnsymbol
Bezeichnet eine Situation die zu Sachbeschädigungen führen kann.



La seguridad, el rendimiento y la fiabilidad han sido las máximas prioridades a la hora de diseñar este escarificador o aireador inalámbrico.

USO PREVISTO

El escarificador o aireador inalámbrico está diseñado exclusivamente para su uso al aire libre. Las cuatro ruedas deben estar en contacto con el suelo durante la escarificación o la aireación.

El producto está diseñado para la escarificación doméstica de césped tras el acoplamiento de las púas de escarificación.

El producto está diseñado para realizar orificios en el suelo y reducir así su compactación tras el acoplamiento del accesorio aireador.

El producto es un escarificador de césped con conductor a pie, diseñado para ser empujado manualmente. Está prohibido tirar del producto o subirse encima de él. No se debe utilizar para escarificar nada que no sean céspedes domésticos.

No la use para ninguna otra finalidad.

ADVERTENCIAS GENERALES DE SEGURIDAD DE LA HERRAMIENTA ELÉCTRICA

⚠ ADVERTENCIA

Al utilizar el producto, deben seguirse las normas de seguridad. Por su propia seguridad y la de los que le rodean, lea estas instrucciones antes de utilizar el producto. Guarde las instrucciones para usarlas en el futuro.

⚠ ADVERTENCIA

Use el producto solo con las baterías especificadas en este manual. Al usar la máquina con la batería, debe seguir siempre las precauciones básicas de seguridad para reducir el riesgo de incendio, fugas de la batería y lesiones personales.

SEGURIDAD PERSONAL

- El producto puede amputar manos y pies, además de arrojar objetos. El no cumplir con todas las instrucciones de seguridad podrá causar lesiones serias o la muerte.
- Familiarícese con los controles y el uso adecuado del producto.
- Nunca permita que los niños o las personas con discapacidad física, sensorial o mental, o que no estén familiarizadas con estas instrucciones, operen, limpien ni realicen el mantenimiento del aparato. Las regulaciones locales pueden restringir la edad del operario. Los niños deben estar adecuadamente supervisados para asegurarse de que no juegan con el producto.
- Manténgase alerta, observe lo que está haciendo y use el sentido común cuando utilice el aparato. No utilice este aparato si está cansado o si se encuentra bajo la influencia de drogas, alcohol o medicamentos. Un

lapso en la concentración mientras utiliza la unidad puede resultar en lesiones personales graves.

- Use pantalones largos y gruesos, manga larga y calzado resistente y antideslizante. No use pantalones cortos ni sandalias, ni vaya descalzo. Evite usar ropa suelta o de la que cuelguen cordones o lazos.
- Siempre use gafas de seguridad con protectores laterales.
- No se extienda demasiado. Asegúrese siempre de mantener el equilibrio y de no situarse en pendientes. Mantenga su pisada firme y su equilibrio. Camine, nunca corra.
- Utilice el aparato en la superficie de cuestas, nunca hacia arriba ni abajo. Tenga mucho cuidado cuando cambie de dirección en las cuestas.
- No utilice el aparato cerca de zonas descendientes, zanjas, pendientes excesivamente pronunciadas o terraplenes. Una mala pisada podrá causar resbalones y accidentes de caídas.

ZONA DE TRABAJO

- No haga funcionar la máquina mientras haya cerca personas, especialmente niños, o animales.
- Los objetos atascados en las púas del escarificador pueden provocar lesiones graves a las personas. Inspeccione cuidadosamente el área donde va a utilizarse la herramienta y retire todas las rocas, palos, metales, alambres, huesos, juguetes u otros objetos extraños. Recuerde, el hilo o el cable pueden enredarse con las cuchillas.
- Utilice el aparato sólo con luz diurna o con una buena luz artificial.
- No utilice la máquina en entornos inflamables, como puede ser en presencia de líquidos inflamables, gases o polvo. La herramienta puede crear chispas que pueden encender polvo o gases.
- No utilice la máquina en hierba mojada o bajo la lluvia.
- No haga funcionar la máquina en una superficie pavimentada o con grava donde el material eyectado pueda causar lesiones.
- Utilice el producto solamente sobre una superficie nivelada mediante el uso de las dos manos, con el usuario situado detrás del manillar de control.
- Evite el uso del escarificador si las condiciones meteorológicas son adversas, especialmente si hay riesgo de tormenta eléctrica.
- Tenga presente que el operario o usuario es responsable de los accidentes o riesgos que le puedan ocurrir a otras personas o a su propiedad.
- Los accidentes trágicos pueden ocurrir si el operario no está alerta de la presencia de niños. Nunca asuma que los niños permanecerán donde los vio por última vez.
- Mantenga a los niños alejados de la zona de trabajo y bajo la cuidadosa supervisión de un adulto responsable distinto del operario. Esté alerta y apague el producto si un niño se acerca a la zona.
- Ponga especial cuidado cuando se acerque a ángulos ciegos, arbustos, árboles u otros obstáculos, como arbustos colgantes, que puedan impedir su visibilidad.





USO Y CUIDADO DE LA HERRAMIENTA

- Lea, comprenda y siga siempre las instrucciones de seguridad suministradas con la batería y el cargador. Si no lo hace, podría provocar una descarga eléctrica, un incendio u otras situaciones peligrosas. Guarde todas las instrucciones juntas en un lugar seguro para realizar futuras consultas.
- Las unidades operadas con batería no necesitan estar enchufadas a una toma de corriente; por lo tanto, están siempre en condiciones de funcionamiento. Quite la llave conmutadora cuando no utilice el producto.
- Extraiga la batería antes de hacer cualquier ajuste, limpieza o de quitar material de la unidad.
- Asegúrese de que la llave de aislamiento no se encuentra en la herramienta antes de insertar la batería.
- La batería solamente debe recargarse con el cargador especificado por el fabricante. El uso de un cargador con una batería incompatible puede crear un riesgo de incendio. Utilice sólo la batería con el cargador en la lista.
- Utilice sólo la batería diseñada específicamente para la máquina. El uso de cualquier otra batería puede resultar en un riesgo de incendio, descargas eléctricas o lesiones personales.
- Cuando la batería no está en uso, manténgala alejada de otros objetos metálicos como clips, monedas, llaves, clavos, tornillos u otros objetos metálicos pequeños que puedan crear una conexión desde una terminal a otra. Cortocircuitar los terminales de la batería puede provocar chispas, quemaduras, incendios y explosiones.
- No coloque los productos de batería o las pilas cerca del fuego o fuentes de calor. Esto aumenta el riesgo de explosión y de lesiones.
- No abra ni desmonte la batería. El electrolito liberado es corrosivo y puede causar daño a los ojos o la piel. Puede ser tóxico si se ingiere.
- Proteja la batería contra la humedad y el agua. No cargue la unidad en lugares húmedos o mojados. Seguir esta regla reducirá el riesgo de descarga eléctrica.
- En caso de daños y uso inadecuado de la batería, podría emitirse vapor. Respire aire fresco y acuda a un médico en caso de dolencias. El vapor puede irritar el sistema respiratorio.
- No deje la batería dentro de un vehículo en condiciones de frío o calor.
- No quemé la batería.
- En condiciones abusivas, podría salir expulsado líquido de la batería, por lo que debería evitar el contacto con éste. Si se produce un contacto accidental, enjuáguese las manos con agua. Si el líquido entra en contacto con los ojos, acuda inmediatamente al médico. Si el líquido es expulsado de la batería y entra en contacto con él, podría causar irritación o quemaduras.

ADVERTENCIAS DE SEGURIDAD DEL ESCARIFICADOR Y AIREADOR

- Las púas del producto están afiladas. Tenga cuidado y use guantes pesadas al encajar, substituir, limpiar o comprobar el tornillo de seguridad.
- Compruebe que todos los tornillos, tuercas, pernos y otros elementos de fijación estén debidamente asegurados y que las protecciones y pantallas se encuentren en su posición. Reemplace las etiquetas ilegibles o dañadas.
- Sustituya las partes gastadas o dañadas antes de poner el aparato en funcionamiento.
- Instale el colector de residuos antes de iniciar la escarificación. Vacíe el colector de residuos cuando esté lleno y vuelva a instalarlo antes de reanudar el funcionamiento del producto.
- El producto debe encenderse con el usuario situado detrás del manillar, en la zona de seguridad del operario. Nunca encienda el producto si:
 - las cuatro ruedas no están sobre el suelo
 - el canal de descarga de residuos está expuesto y no está protegido por el colector de residuos ni por la cubierta del canal de descarga de residuos.
- Nunca utilice el producto si el interruptor de encendido/apagado situado en el manillar no enciende y apaga el producto de forma correcta.
- No bloquee nunca los interruptores de encendido/apagado en la posición de encendido; esta acción es extremadamente peligrosa.
- No fuerce el producto. Realizará un trabajo mejor y más seguro a la velocidad para la que ha sido diseñada.
- Detenga el funcionamiento de las púas cuando atraviere superficies con grava.
- Extreme las precauciones al girar o tirar del producto hacia usted.
- Detenga el funcionamiento de las púas si el producto se debe inclinar para su transporte por superficies que no sean de césped, y cuando transporte el producto hacia o desde la zona de trabajo.
- No utilice nunca el producto con protecciones defectuosas, ni tampoco sin los dispositivos de seguridad, como los deflectores y el colector de residuos, en su posición.
- No incline el producto cuando ponga en marcha el motor, salvo si fuera necesario inclinar la máquina para arrancarla. Si fuera absolutamente necesario, puede inclinar solamente la parte que está más alejada del usuario. Asegúrese siempre de que las dos manos se encuentren en la posición de funcionamiento antes de volver a colocar la máquina en el suelo.
- Encienda el producto cuidadosamente, conforme a las instrucciones, y no acerque las manos ni los pies a las púas. No coloque las manos o los pies cerca o debajo de las piezas giratorias. Manténgase alejado de la apertura de descarga en todo momento.
- Nunca levante ni transporte el aparato con el motor en marcha.

EN
FR
DE
ES
IT
NL
PT
DA
SV
FI
NO
RU
PL
CS
HU
RO
LV
LT
ET
HR
SL
SK
BG
UK
TR





- Apague el producto y desconéctelo de la fuente de alimentación. Asegúrese de que todas las partes móviles se han detenido por completo:
 - Siempre que deje el producto sin vigilancia (incluso mientras tira los restos de hierba).
 - antes de limpiar una obstrucción o desatascar el canal de descarga
 - antes de inspeccionar, limpiar o trabajar con el producto
 - después de alcanzar un objeto extraño, inspeccione el aparato para comprobar si se han producido daños y realizar reparaciones, en caso necesario, antes de reiniciar y utilizar la máquina.
- Si el producto empieza a vibrar de manera extraña, inmediatamente:
 - inspeccionar los daños
 - cambie o repare las piezas dañadas
 - revise y apriete las piezas sueltas
- Evite los agujeros, surcos, resaltos, rocas u otros objetos ocultos. El terreno desigual puede causar resbalones y accidentes de caídas.
- Suelte el manillar inmediatamente y aléjese del producto si:
 - se produce un incendio en el producto
 - la protección y/o la carcasa están rotas
 - se emite un ruido extraño
 - cualquier accidente o avería que se pueda producir
- Asegúrese siempre de que el cable de control del motor nunca es atrapado, pellizcado o dañado de otra forma durante el montaje o cuando doble el mango.

⚠ ADVERTENCIA

Asegúrese de que las púas estén totalmente paradas antes de retirar o instalar el colector de residuos.

⚠ ADVERTENCIA

No toque las piezas móviles peligrosas antes de desconectar el producto de la fuente de alimentación y de que se hayan detenido por completo.

ADVERTENCIAS DE SEGURIDAD DE LA BATERÍA ADICIONAL

⚠ ADVERTENCIA

Para reducir el riesgo de incendio, lesión personales y daños al producto debido a un cortocircuito, no sumerja nunca la herramienta, el paquete de baterías o el cargador en líquido ni permita que fluya un fluido dentro de ellos. Los fluidos corrosivos o conductivos, como el agua de mar, ciertos productos quími-cos industriales y blanqueadores o lejías que contienen, etc., Pueden causar un cortocircuito.

DISPOSITIVO DE PROTECCIÓN FRENTE A SOBRECARGA

El producto tiene un dispositivo de protección frente a sobrecarga. Si se detecta sobrecarga, el producto se apagará automáticamente. Si el protector de sobrecarga está activado, se debe dejar enfriar el motor durante 5 o 10 minutos.

Apague el producto y desconéctelo de la fuente de alimentación. Las púas están afiladas, así que póngase unos guantes de trabajo resistentes antes de tocarlas. Asegúrese de que las púas puedan girar libremente y que no estén atascadas o apretadas.

Cuando el motor se haya enfriado, conecte el enchufe a la alimentación eléctrica y encienda el producto. Pulse el botón Start (arrancar) y, a continuación, el botón On/Off para arrancar el aparato. Si el producto no se pone en funcionamiento, solicite la reparación del producto únicamente a un centro de servicio autorizado.

CONSEJOS GENERALES PARA LA ESCARIFICACIÓN

- Ajuste la profundidad de corte en función de las necesidades y longitud del césped.
- Corte el césped y aplique un producto antimusgo una semana antes de que vaya a utilizar el escarificador si su césped tiene un problema de musgo.
- Riegue el césped unos días antes de escarificarlo para asegurarse de que esté húmedo pero no excesivamente mojado.

TRANSPORTE Y ALMACENAMIENTO

- Limpie todo el material extraño que pueda permanecer en el producto. Guarde en una zona seca y bien ventilada, a la que no puedan acceder los niños. Evite el contacto con agentes corrosivos tales como productos químicos de jardinería o sales descongelantes. No almacenar al aire libre.
- Para transportar el producto, sujételo de modo que no se mueva ni se caiga para evitar lesiones personales o daños al producto.

⚠ ADVERTENCIA

Tenga mucho cuidado al levantar o inclinar la máquina cuando realice operaciones de mantenimiento, limpieza, almacenamiento o transporte. Las púas están afiladas; mantenga todas las partes de su cuerpo alejadas de las púas mientras se encuentren expuestas.

TRANSPORTE DE BATERÍAS DE LITIO

Transporte de baterías de acuerdo con las disposiciones y reglamentos nacionales y locales.

Cumpla todos los requisitos especiales relativos al embalaje y etiquetado cuando el transporte de baterías se lleve a cabo por un tercero. Asegúrese de que, durante el transporte, las baterías no entran en contacto con otras baterías o materiales conductores protegiendo los conectores expuestos con tapones o tapas aislantes de



material no conductor. No transporte baterías que tengan grietas o fugas. Consulte a la empresa de transporte para obtener más asesoramiento.

MANTENIMIENTO

⚠ ADVERTENCIA

Utilice sólo piezas y accesorios de recambio originales del fabricante. Si no lo hace podría ocurrir un mal funcionamiento, podrían producirse daños o podría quedar anulada la garantía.

⚠ ADVERTENCIA

Las reparaciones requieren tener mucho cuidado y conocimiento y sólo debe realizarse por un técnico de servicio calificado. Solicite la reparación del producto únicamente en un centro de servicio autorizado. Utilice solo recambios originales del fabricante para las operaciones de mantenimiento.

- Cuando se detenga el producto para proceder a su mantenimiento, inspección, almacenamiento o sustitución de un accesorio, desactive la fuente de alimentación, desconecte el producto de la corriente eléctrica y asegúrese de que todas las piezas móviles se hayan detenido por completo. Deje que la máquina se enfríe antes de realizar inspecciones, ajustes, etc. Realice un mantenimiento cuidadoso del producto y límpielo.
- Compruebe frecuentemente el colector de residuos en busca de desgaste, orificios o deterioro.
- Usted puede realizar los ajustes y reparaciones descritos en este manual del usuario. Para otras reparaciones o consejos, busque la ayuda de un centro de servicio autorizado.
- Por seguridad, reemplace las piezas desgastadas o dañadas. Utilice únicamente piezas de repuesto y accesorios originales.
- Limpiar el producto con un paño suave seco después de cada uso. Cualquier pieza dañada debe ser sustituida o reparada adecuadamente por un centro de servicio autorizado.
- Verifique a intervalos frecuentes si todas las tuercas, pernos y tornillos están apretados apropiadamente para asegurarse de que el producto esté en buenas condiciones de trabajo.
- Extreme las precauciones durante el ajuste del producto para evitar que los dedos se queden atrapados entre las púas móviles y las piezas fijas del producto.
- Al realizar el mantenimiento del conjunto de las púas, recuerde que aunque la fuente de alimentación esté desactivada, el conjunto de las púas se puede mover.
- Las púas del producto están afiladas. Tenga cuidado y use guantes pesadas al encajar, substituir, limpiar o comprobar el tornillo de seguridad.

ELIMINAR OBSTRUCCIONES

- Apague el producto y desconéctelo de la fuente de alimentación.
- Use siempre guantes de protección para trabajo pesado en la comprobación y limpieza de una obstrucción.
- Las púas están afiladas y la obstrucción también podría ser un objeto afilado.
- Quite el colector de residuos, compruébelo y elimine cualquier obstrucción.
- Compruebe el canal de descarga del césped por si hay obstrucciones y límpielo detenidamente.
- Gire el producto de lado, compruebe la parte inferior del producto y el área que rodea a las púas. Si encuentra alguna obstrucción, quítela cuidadosamente. Recuerde que las púas se pueden mover durante la limpieza.

RIESGOS RESIDUALES

Incluso cuando se utiliza el producto según las instrucciones, sigue siendo imposible eliminar por completo ciertos factores de riesgo residuales. Pueden surgir los siguientes riesgos durante el uso y el operador debe prestar especial atención para evitar lo siguiente:

- Lesiones por vibración
 - Use siempre la herramienta adecuada para el trabajo. Utilice los mangos designados. Limite el tiempo de trabajo y la exposición.
- Lesiones a causa del ruido
 - La exposición al ruido puede causar pérdidas de audición. Use protección para los oídos y limite el tiempo de exposición.
- lesión por contacto con las púas
- Lesiones producidas por objetos lanzados

REDUCCIÓN DEL RIESGO

Se ha informado de que las vibraciones de las herramientas de mano puede contribuir a una condición llamada síndrome de Raynaud en ciertos individuos. Los síntomas pueden incluir hormigueo, entorpecimiento y decoloración de los dedos, generalmente aparentes cuando tiene lugar una exposición al frío. Se considera que los factores hereditarios, exposición al frío y a la humedad, dieta, tabaquismo y prácticas de trabajo contribuyen al desarrollo de estos síntomas. Existen medidas que pueden ser tomadas por el operador para reducir los efectos de vibración:

- Mantenga su cuerpo caliente durante el tiempo frío. Al manipular el producto, utilice guantes para mantener las manos y las muñecas calientes. Hay informes que indican que el tiempo frío es un gran factor que contribuye al síndrome de Raynaud.
- Después de cada período de funcionamiento, realice ejercicios para aumentar la circulación sanguínea.
- Haga pausas de trabajo frecuentes. Limite la cantidad de exposición por día.

Si siente alguno de los síntomas de esta enfermedad, interrumpa inmediatamente el uso y consulte a su médico estos síntomas.

⚠ ADVERTENCIA

El uso prolongado de una herramienta puede causar o agravar lesiones. Al utilizar cualquier herramienta durante períodos prolongados asegúrese de tomar descansos regulares.

CONOZCA SU PRODUCTO

Véase la página 134.

1. Botón de cambio
2. Empuñaduras
3. Gatillos
4. Barra del mango superior
5. Perillas
6. Llave hexagonal
7. Púas
8. Llave del interruptor
9. Ruedas traseras
10. Ruedas delanteras
11. Batería
12. Cargador
13. Accesorio del aireador
14. Palanca de ajuste de altura
15. Cubierta de la batería
16. Puerta trasera
17. Colector de residuos
18. Conjunto del mango inferior
19. Cableado



No utilice la unidad en pendientes superiores a 15°. Utilice el aparato en la superficie de cuestras, nunca hacia arriba ni abajo



Anchura de trabajo: 35 cm



Los productos eléctricos de desperdicio no deben desecharse con desperdicios caseros. Por favor recíclelos donde existan dichas instalaciones. Compruebe con su autoridad local o minorista para reciclar.



Esta herramienta responde a todas las normas reglamentarias del país de la UE donde se ha comprado.



Certificado EAC de conformidad



Marca de conformidad ucraniana

001



El nivel de potencia acústica garantizado mostrado en esta etiqueta es de 95 dB.

SÍMBOLOS EN EL PRODUCTO



Advertencia



Por favor lea las instrucciones detenidamente antes de arrancar la máquina.



Use protección auditiva



Utilice protección ocular



No la esponga a la lluvia o a lugares húmedos.



Tenga cuidado con los objetos volátiles o lanzados. Mantenga a todos los espectadores, especialmente a los niños y las mascotas, por lo menos a 15 metros de la zona de trabajo.



Tenga cuidado con las púas afiladas. Las púas siguen girando después de apagar el motor. Quite la llave del seccionador antes de realizar el mantenimiento.

SÍMBOLOS EN ESTE MANUAL



Las piezas o accesorios se venden por separado



Nota



Advertencia

Los siguientes símbolos y palabras detallan los niveles de cuidado necesarios para usar este producto.

⚠ PELIGRO

Indica una situación potencialmente peligrosa que, de no evitarse, puede ocasionar la muerte o heridas de gravedad.

⚠ ADVERTENCIA

Indica una situación peligrosa que, de no evitarse, puede ocasionar la muerte o heridas de gravedad.

⚠ ADVERTENCIA

Indica una situación potencialmente peligrosa que, de no evitarse, puede ocasionar heridas leves.

ADVERTENCIA

Sin símbolo de alerta de seguridad
Indica una situación que puede causar daños en las cosas.



Durante la progettazione di questo scarificatore o aeratore a batteria è stata data la massima priorità a sicurezza, prestazioni e affidabilità.

UTILIZZO RACCOMANDATO

Lo scarificatore o aeratore cordless è destinato esclusivamente all'uso esterno. Tutte e quattro le ruote devono toccare terra durante la scarificazione o aerazione. Il prodotto montato con le punte di scarificazione è pensato per la scarificazione del prato domestico.

Il prodotto dotato di collegamento per aeratore è pensato per realizzare solchi nel terreno per ridurre la compattazione del suolo.

Il prodotto è uno scarificatore di prato alimentato elettricamente azionato da un operatore con spinta a mano. Il prodotto non deve essere né tirato né bisogna salirci sopra. Deve essere utilizzato per scarificare esclusivamente i prati domestici.

Non utilizzare per altri scopi.

AVVERTENZE GENERALI SULLA SICUREZZA

AVVERTENZA

Quando si utilizza questo prodotto, seguire eventuali norme di sicurezza. Per la propria sicurezza e per la sicurezza degli osservatori, leggere queste istruzioni prima di mettere in funzione il prodotto. Conservare le istruzioni per eventuali riferimenti futuri.

AVVERTENZA

Utilizzare il prodotto soltanto con le batterie specificate nel presente manuale. Quando si utilizzano utensili a batterie seguire sempre precauzioni di sicurezza per ridurre il rischio di incendio, perdita di liquidi da batterie e gravi lesioni alla persona.

SICUREZZA PERSONALE

- Il prodotto è in grado di amputare mani e piedi, oltre che di scagliare oggetti a distanza. La mancata osservanza delle norme di sicurezza potrà causare gravi lesioni personali o morte.
- Familiarizzare con i comandi e il corretto utilizzo del prodotto.
- Non permettere mai a bambini o persone con ridotte capacità fisiche, sensoriali o mentali o a persone che non conoscono queste istruzioni di mettere in funzione, o svolgere le operazioni di pulizia e manutenzione sul prodotto. Leggi locali possono limitare l'età dell'operatore. Supervisionare adeguatamente i bambini per assicurarsi che non giochino con il prodotto.
- Fare sempre attenzione, osservare le operazioni di lavoro e utilizzare senso comune quando si mette in funzionamento l'unità. Non mettere in funzione se stanchi, malati o sotto l'influenza di alcool, droghe o medicinali. Una perdita di concentrazione mentre si

utilizza la macchina potrà causare gravi lesioni alla persona.

- Indossare pantaloni lunghi e pesanti, maniche lunghe, e calzature robuste antisdrucciolo. Non indossare pantaloni corti o sandali e non utilizzare l'apparecchio a piedi nudi. Evitare di indossare abiti con parti svolazzanti o con cordicelle o lacci.
- Indossare sempre occhiali di sicurezza con visiere laterali.
- Non protendersi. Mantenere sempre l'equilibrio, soprattutto sui pendii. Mantenere sempre un appoggio saldo e l'equilibrio. Camminare, non correre mai.
- Sui pendii procedere sempre in diagonale e mai in direzione verticale. Fare estrema attenzione quando si cambia direzione sui pendii.
- Non utilizzare il prodotto vicino a dirupi, avvallamenti, pendii eccessivamente ripidi o argini. Una mancanza di equilibrio potrà provocare cadute o far scivolare.

AMBIENTE DI LAVORO

- Non mettere mai in funzione l'utensile in presenza di osservatori, soprattutto bambini, o animali.
- Gli oggetti urtati dai denti dello scarificatore possono causare gravi lesioni alle persone. Ispezionare la zona dove si utilizza la macchina e rimuovere rocce, rami, pezzi di metallo, cavi, ossa, giocattoli o altri corpi estranei. Ricordare che cavi o fili potranno rimanere impigliati nei dispositivi di taglio.
- Utilizzare il prodotto solo alla luce del giorno o con una buona illuminazione artificiale.
- Non mettere in funzione l'utensile in atmosfere esplosive, come in presenza di liquidi infiammabili, gas o polvere. L'utensile potrà creare scintille che potranno causare incendi a contatto con polvere o vapori.
- Non mettere in funzione su erba bagnata o sotto la pioggia.
- Non mettere in funzione la macchina su superfici pavimentate o con ciottoli o materiali che potranno essere scagliati verso l'operatore ferendolo.
- Azionare il prodotto esclusivamente su una superficie stabile per un funzionamento a due mani con l'operatore dietro il manubrio.
- Evitare di utilizzare lo scarificatore in cattive condizioni atmosferiche laddove sussiste il rischio di fulmini.
- Ricordare che l'operatore sarà responsabile di eventuali lesioni o danni a persone o cose.
- Si potranno verificare spiacevoli incidenti se si lasceranno avvicinare bambini alla zona di taglio. Non presumere mai che i bambini rimangano nella posizione dove li si è lasciati.
- Allontanare i bambini dall'area di lavoro e affidarli alla sorveglianza di un'altra persona adulta e capace. Restare sempre vigili, pronti a spegnere il prodotto qualora un bambino si avvicini all'area che si sta tagliando.
- Prestare massima attenzione in prossimità di angoli, cespugli, alberi o altri oggetti, inclusi arbusti sporgenti, che potrebbero ostruire la visuale.





UTILIZZO E MANUTENZIONE DI UN UTENSILE A BATTERIE

- Leggere, comprendere e seguire sempre le istruzioni di sicurezza fornite con la batteria e con il caricatore. La mancata osservanza potrà causare scosse elettriche, incendi o altre situazioni pericolose. Conservare tutte le istruzioni assieme in un luogo sicuro per eventuali riferimenti futuri.
- Gli utensili a batterie non devono essere collegati a una presa elettrica per funzionare; sono quindi sempre in grado di funzionare. Rimuovere la chiave dell'isolatore quando non si mette in funzione il prodotto.
- Rimuovere il gruppo batterie prima di svolgere eventuali regolazioni, operazioni di pulizia o rimuovere materiale dall'unità.
- Assicurarsi che la chiave dell'isolatore sia stata rimossa prima di inserire il gruppo batterie.
- Ricaricare il gruppo batterie solo con il caricatore indicato dalla ditta produttrice. Utilizzare un caricatore con un gruppo batterie non compatibile potrà creare un rischio di incendio. Utilizzare il gruppo batterie solo con il caricatore indicato.
- Utilizzare solo il gruppo batteria indicato per questo utensile. L'utilizzo di gruppi batteria diversi da quello indicato potrà causare rischi di incendi, scosse elettriche o lesioni alla persona.
- Quando il gruppo batterie non viene utilizzato, tenerlo lontano da oggetti in metallo come fermagli, monete, chiavi, chiodi, viti o altri piccoli oggetti che potranno fare da tramite da un terminale all'altro. Cortocircuitare i terminali del gruppo batterie assieme potrà causare scintille, scottature, incendi o esplosioni.
- Non posizionare i prodotti a batteria o le loro batterie vicino a fuoco o fonti di calore. Ciò aumenterà il rischio di esplosioni e di possibili lesioni.
- Non aprire o danneggiare la batteria. Il liquido elettrolitico rilasciato è corrosivo e può causare danni agli occhi e alla pelle. Può essere tossico se ingoiato.
- Proteggere il gruppo batterie da acqua e umidità. Non ricaricare in zone umide o bagnate. Il rispetto di questa norma riduce il rischio di scosse elettriche.
- In caso di danni e di utilizzo improprio della batteria, l'utensile potrà emettere dei vapori. Esporsi ad aria fresca e rivolgersi a un medico in caso di malore. I vapori creati potranno irritare il sistema respiratorio.
- Non lasciare il gruppo batterie all'interno di un veicolo in temperature estremamente alte o basse.
- Non bruciare la batteria.
- Se sottoposto a stress, la batteria potrà perdere dei liquidi; evitare il contatto. Se si entra accidentalmente in contatto con tali liquidi, lavarsi immediatamente con acqua. Se il liquido entra negli occhi, rivolgersi a un medico. Il liquido espulso dalla batteria potrà causare irritazioni o scottature.

AVVERTENZE DI SICUREZZA PER SCARICATORE E AREATORE

- I denti sul prodotto sono affilati. Fare attenzione e indossare guanti da lavoro quando si svolgono le

operazioni di montaggio, sostituzione, pulizia o quando si controlla la sicurezza del bullone.

- Verificare che tutte le viti, i dadi, i bulloni e altri fissaggi siano correttamente stretti e che le protezioni e gli schermi siano in posizione. Sostituire le parti danneggiate o le etichette illeggibili.
- Sostituire le parti consumate o danneggiate prima di mettere in funzione il prodotto.
- Installare il raccogliatore di detriti prima della scarificazione. Svuotare il raccogliatore di detriti quando è pieno e reinstallarlo prima di riprendere il funzionamento.
- Il prodotto deve essere avviato con l'utente dietro il manico nella zona di sicurezza dell'operatore. Non avviare mai il prodotto se:
 - tutte e quattro le ruote non poggiano a terra
 - lo scivolo di scarico dei detriti è esposto e non protetto dal contenitore di raccolta né dal coperchio dello scivolo di scarico dei detriti.
- Non mettere in funzione il prodotto se l'interruttore on/off (acceso/spento) sul manico non avvia o arresta correttamente il prodotto.
- Non bloccare mai l'interruttore in posizione on; questa operazione è estremamente pericolosa.
- Non forzare il prodotto. L'utensile svolgerà un lavoro migliore e più sicuro se utilizzato alla velocità per la quale è stato progettato.
- Arrestare i denti quando si attraversano le superfici di ghiaia.
- L'operatore dovrà fare estrema attenzione quando inverte la direzione o quando spinge il prodotto verso di sé.
- Arrestare i denti se il prodotto deve essere inclinato per il trasporto quando si attraversano superfici diverse dall'erba e quando si trasporta il prodotto da e verso l'area di lavoro.
- Non utilizzare mai il prodotto con protezioni o schermi difettosi o senza dispositivi di sicurezza, ad esempio, deflettori e/o raccogliatore di detriti, in posizione.
- Non inclinare il prodotto quando si accende il motore, a meno che la macchina non debba essere inclinata per essere avviata. Se assolutamente necessario, potrebbe essere possibile sollevare solo la parte che è lontana dall'operatore. Assicurarsi sempre che entrambe le mani siano nella posizione di funzionamento prima di riportare la macchina a terra.
- Accendere il prodotto con attenzione in base alle istruzioni e tenere le mani e i piedi lontani dai denti. Tenere mani e piedi lontani dalle parti rotanti. Tenersi sempre lontani dalle aperture di scarico.
- Non alzare né trasportare il prodotto con il motore in funzione.
- Spegnerne il prodotto e scollegarlo dall'alimentazione. Assicurarsi che tutte le parti in movimento si siano arrestate:
 - quando si lascia il prodotto incustodito (compreso lo smaltimento di sfalci d'erba).
 - prima di ripristinare un blocco o liberare lo scivolo di scarico





- prima di svolgere le operazioni di controllo o pulizia sul prodotto o prima di utilizzarlo
- dopo aver colpito un oggetto estraneo; controllare il dispositivo per individuare eventuali danni e svolgere le dovute riparazioni come necessario prima di riavviare e mettere in funzione l'utensile.
- Se il prodotto inizia a vibrare in modo insolito, verificare immediatamente di:
 - controllare eventuali danni
 - sostituire o riparare le parti danneggiate
 - controllare e serrare le parti eventualmente allentate
- Evitare buchi, solchi, rocce o altri oggetti nascosti. Terreni irregolari possono provocare scivolate e cadute.
- Rilasciare immediatamente la maniglia e stare lontano dal prodotto se:
 - il prodotto prende fuoco
 - la protezione e/o l'alloggiamento è rotto
 - si verificano suoni anomali
 - si verificano incidenti o interruzioni
- Assicurarsi sempre che il cavo di controllo del motore non sia stato intrappolato, schiacciato o danneggiato in alcun modo durante il montaggio o quando si ripiega il manico.

Spegnerne il prodotto e scollegarlo dall'alimentazione. I denti sono affilati; indossare guanti per impegni gravosi. Accertarsi che i denti possano ruotare liberamente e che non siano inceppati o stretti.

Una volta che il motore si è raffreddato, collegare la presa all'alimentazione e accendere il prodotto. Premere il tasto Start (avvio) e quindi il tasto On-off (Acceso-Spento) per avviare il prodotto. Se il prodotto non si avvia, farlo riparare esclusivamente da un centro assistenza autorizzato.

CONSIGLI DI SCARIFICAZIONE GENERALI

- Regolare la profondità di taglio in base alle esigenze del prato e alla lunghezza dell'erba.
- Falciare il prato e applicare un falciatore di muschio una settimana prima di pianificare la scarificazione se il prato presenta questo tipo di problema.
- Innaffiare il prato pochi giorni prima della scarificazione per assicurarsi che il prato sia umido, ma non eccessivamente bagnato.

TRASPORTO E RIPONIMENTO

- Rimuovere eventuali materiali di scarto dal prodotto. Riporre in un luogo asciutto e ben ventilato non accessibile ai bambini. tenerlo a distanza da agenti corrosivi, come le sostanze chimiche per il giardinaggio e il fondente chimico. Non riporre all'esterno.
- Per il trasporto, assicurare il prodotto contro ogni movimento o contro eventuali cadute per evitare lesioni a persone o danni al prodotto.

⚠ AVVERTENZA
Assicurarsi che i denti siano completamente arrestati prima di rimuovere o installare il raccogliatore di detriti.

⚠ AVVERTENZA
Non toccare i pezzi pericolosi in movimento prima che il prodotto sia scollegato dall'alimentazione e che i pezzi pericolosi in movimento si siano completamente arrestati.

AVVERTENZE AGGIUNTIVE PER LA SICUREZZA DELLA BATTERIA

⚠ AVVERTENZA
Per ridurre il rischio d'incendio, di lesioni o di danni al prodotto causati da corto circuito, non immergere mai l'utensile, la batteria ricaricabile o il carica batterie in un liquido e non lasciare mai penetrare alcun liquido all'interno dei dispositivi e delle batterie. I fluidi corrosivi o conduttori come acqua salata, alcuni agenti chimici, agenti candeggianti o prodotti contenenti agenti candeggianti potrebbero provocare un corto circuito.

⚠ AVVERTENZA
Fare estrema attenzione quando si alza o inclina la macchina per svolgere operazioni di manutenzione, pulizia, riponimento o trasporto. I denti sono affilati, tenere tutte le parti del corpo lontano dai denti quando sono esposti.

TRASPORTO BATTERIE AL LITIO

Trasportare le batterie rispettando quanto indicato dalle norme e regolamentazioni locali.

Far rispettare quanto indicato sulle etichette e sull'involucro quando la batteria viene trasportata da terzi. Assicurarsi che le batterie non entrino in contatto con altre batterie o con materiali conduttivi mentre si trasportano proteggendo connettori esposti con tappi o nastro isolante e non conduttivo. Non trasportare batterie rotte o che perdono liquidi. Consultare la ditta produttrice per eventuali ulteriori consigli.

DISPOSITIVO DI PROTEZIONE DAI SOVRACCARICHI

Il prodotto è dotato di un dispositivo di protezione da sovraccarico. Quando viene rilevato un sovraccarico, il prodotto si spegne automaticamente. Se la protezione dai sovraccarichi è scattata, far raffreddare il motore per 5-10 minuti.

MANUTENZIONE

⚠ AVVERTENZA
Utilizzare solo parti di ricambio, accessori e dispositivi originali della ditta produttrice. In caso contrario si potranno causare lesioni, prestazioni basse e la garanzia verrà invalidata.



⚠ AVVERTENZA

Le operazioni di manutenzione devono essere svolte con grande attenzione e accortezza solo da un tecnico qualificato. Far riparare il prodotto esclusivamente da un centro assistenza autorizzato. Quando si svolgono le operazioni di manutenzione, utilizzare solo parti di ricambio originali della ditta produttrice.

- Quando il prodotto è fermo per manutenzione, ispezione o conservazione o sostituzione di un accessorio, spegnere l'alimentazione, scollegare il prodotto dall'alimentazione e assicurarsi che tutte le parti in movimento si siano completamente arrestate. Lasciare che l'utensile si raffreddi prima di svolgere gli eventuali controlli, regolazioni, ecc. Effettuare la manutenzione del prodotto con attenzione e pulirlo.
- Controllare frequentemente il raccogliatore di detriti per segni di usura, fori o deterioramento.
- L'operatore potrà fare le regolazioni e riparazioni descritte nel presente manuale. Per altre riparazioni o consigli, rivolgersi a un centro servizi autorizzato.
- Sostituire parti consumate o danneggiate per una maggiore sicurezza. Utilizzare solo parti e accessori originali.
- Dopo ogni uso, pulire il prodotto con una panno morbido e asciutto. Riparare eventuali parti danneggiate o farle sostituire da un centro servizi autorizzato.
- Controllare frequentemente dadi, bulloni e viti, verificando che siano stati assicurati correttamente per fare in modo che il prodotto garantisca condizioni di lavoro ottimali.
- Prestare attenzione durante la regolazione del prodotto per impedire l'intrappolamento di dita tra i denti in movimento e le parti fisse del prodotto.
- Quando si effettua la manutenzione del gruppo di denti, assicurarsi che anche l'alimentazione sia spenta e il gruppo potrà essere comunque spostato.
- I denti sul prodotto sono affilati. Fare attenzione e indossare guanti da lavoro quando si svolgono le operazioni di montaggio, sostituzione, pulizia o quando si controlla la sicurezza del bullone.

RIMOZIONE DEI BLOCCHI

- Spegnerlo il prodotto e scollegarlo dall'alimentazione.
- Indossare sempre guanti di protezione pesanti quando si controllano e rimuovono eventuali blocchi.
- I denti sono affilati e il blocco stesso può essere un oggetto affilato.
- Rimuovere il raccogliatore di detriti, verificare la presenza di ostruzioni e rimuoverle facendo attenzione.
- Verificare la presenza di ostruzioni nello scivolo di scarico dell'erba e rimuoverle facendo attenzione.
- Girare di lato il prodotto e verificare la parte inferiore del prodotto e l'area intorno ai denti. Rimuovere gli eventuali blocchi con attenzione. Ricordare che i denti possono spostarsi durante la pulizia.

RISCHI RESIDUI

Anche quando il prodotto viene utilizzato come indicato, è impossibile eliminare completamente alcuni fattori di rischio residuo. Si potranno correre i seguenti rischi durante l'utilizzo e l'operatore dovrà fare particolare attenzione per evitare quanto segue:

- Lesioni causate da vibrazioni
 - Utilizzare sempre l'attrezzo corretto per il lavoro che si desidera svolgere. Usare le apposite maniglie. Limitare la durata del lavoro e l'esposizione.
- Lesioni causate dal rumore.
 - L'esposizione al rumore può causare lesioni all'udito. Indossare cuffie di protezione e limitare l'esposizione.
- lesioni dal contatto con i denti
- Incidenti causati da oggetti scagliati intorno

RIDUZIONE DEL RISCHIO

Si è accertato che le vibrazioni causate da utensili a mano possono contribuire a causare una condizione chiamata Sindrome di Raynaud in alcune persone. I sintomi, comprendenti formicolio, intorpidimento e perdita di colore alle dita, si verificano di solito quando ci si espone al freddo. Fattori ereditari, esposizione a freddo e umidità, una dieta scorretta, fumo e condizioni di lavoro non sicure potranno contribuire allo sviluppo di questi sintomi. È possibile prendere delle precauzioni per ridurre le vibrazioni:

- Tenere il corpo al caldo a basse temperature. Quando si utilizza il prodotto indossare guanti per tenere le mani e i polsi caldi. Le basse temperature contribuiscono a causare la Sindrome di Raynaud.
- Dopo aver utilizzato l'utensile per un certo periodo, fare degli esercizi per stimolare la circolazione del sangue.
- Fare spesso delle pause. Limitare la quantità di esposizione giornaliera.

Nel caso in cui si provino i sintomi di questa condizione, interrompere immediatamente l'utilizzo dell'utensile e consultare un dottore.

⚠ AVVERTENZA

Il prolungato utilizzo dell'utensile potrà causare o aggravare lesioni. Quando si utilizza questo utensile per periodi di tempo prolungati, assicurarsi di fare sempre delle pause regolari.

FAMILIARIZZARE CON IL PRODOTTO

Vedere pagina 134.

1. Pulsante di avviamento
2. Prese maniglia
3. Grilletti
4. Asta maniglia superiore
5. Manopole
6. Chiave esagonale
7. Punte
8. Chiave interruttore
9. Ruote posteriori
10. Ruote anteriori

- 11. Batteria
- 12. Caricatore
- 13. Collegamento areatore
- 14. Leva regolazione altezza
- 15. Coperchio della batteria
- 16. Vano posteriore
- 17. Raccogliatore detriti
- 18. Gruppo maniglia inferiore
- 19. Cablaggio

SIMBOLI SUL PRODOTTO



Avvertenza



Leggere attentamente le istruzioni prima di avviare l'utensile.



Indossare cuffie di protezione



Indossare dispositivi di protezione occhi



Non esporre a pioggia o umidità.



Fare attenzione ad oggetti scagliati o lanciati dall'utensile. Tenere lontani tutti gli osservatori, soprattutto bambini e animali, ad almeno 15 m dalla zona di funzionamento.



Prestare attenzione alle punte affilate. Le punte continuano a ruotare dopo che il motore si è spento. Rimuovere la chiave d'isolamento prima della manutenzione.



Non mettere in funzione su superfici che presentino una inclinazione superiore a 15°. Sui pendii procedere sempre in diagonale e mai in direzione verticale.



Larghezza di lavoro: 35 cm



I prodotti elettrici non devono essere smaltiti con i rifiuti domestici. Vi sono strutture per smaltire tali prodotti. Informarsi presso il proprio Comune o rivenditore di sicurezza per smaltire adeguatamente tali rifiuti.



Questo apparecchio è conforme a tutte le norme vigenti nel paese dell'UE in cui è stato acquistato.



Marchio di conformità EurAsian



Marchio di conformità ucraino



Il livello di pressione sonora garantito indicato su questa etichetta è di 95 dB.

SIMBOLI NEL PRESENTE MANUALE



Parti o accessori venduti separatamente



Note



Avvertenze

I seguenti simboli indicano i livelli di rischio associati a questo prodotto.

⚠ PERICOLO

Indica una situazione pericolosa che, se non evitata attentamente, potrà causare gravi lesioni alla persona o morte.

⚠ AVVERTENZA

Indica una situazione potenzialmente pericolosa che, se non evitata attentamente, potrà causare gravi lesioni alla persona o morte

⚠ ATTENZIONE

Indica una situazione potenzialmente pericolosa che, se non evitata attentamente, potrà causare lesioni minori o moderate alla persona.

ATTENZIONE

Senza simbolo di allerta di sicurezza

Indica una situazione che potrà risultare in gravi danni a cose.



Bij het ontwerp van uw draadloze verticuteerder of beluchter hebben veiligheid, prestaties en betrouwbaarheid de hoogste prioriteit gekregen.

VOORGESCHREVEN GEBRUIK

De draadloze verticuteerder of beluchter is uitsluitend bedoeld voor gebruik buitenshuis. Alle vier wielen moeten tijdens het verticuteren of beluchten de bodem raken.

Het apparaat met verticuteertanden is ontworpen voor het verticuteren van particuliere gazons.

Het apparaat is voorzien van een beluchter en is ontworpen om gaten in de bodem te maken om de bodemverdichting te reduceren.

Het is een wandelganggestuurde verticuteerder, ontworpen om met de hand te worden geduwd. Er mag niet aan worden getrokken of op worden gereden. Deze mag niet worden gebruikt om anders dan particuliere gazons te verticuteren.

Gebruik niet voor andere doeleinden.

ALGEMENE VEILIGHEIDSWAARSCHUWINGEN VOOR HET WERKTUIG

WAARSCHUWING

Wanneer u het product gebruikt, moeten de veiligheidsregels worden opgevolgd. Voor uw eigen veiligheid en deze van omstanders, dient u deze instructies te lezen voor u het product gebruikt. Bewaar de instructies voor later gebruik.

WAARSCHUWING

Gebruik voor het apparaat alleen de accu die in deze handleiding is aangegeven. Wanneer u een accuaangedreven machine gebruikt, moeten altijd standaard veiligheidsmaatregelen worden genomen om het risico op brand, lekkende accu's en letsels te vermijden.

PERSOONLIJKE VEILIGHEID

- Het product kan handen en voeten amputeren en voorwerpen omgooien. Wanneer u deze voorschriften niet opvolgt, kan dit leiden tot ernstige verwondingen of de dood.
- Wees vertrouwd met de bedieningen en het correct gebruik van het product.
- Laat kinderen of mensen met verminderde fysieke, zintuigelijke of mentale vermogens of mensen die niet met deze instructies vertrouwd zijn, het product niet bedienen, reinigen of onderhouden. De plaatselijke wetgeving kan beperkingen opleggen i.v.m. de leeftijd van de bediener. Kinderen moeten onder toezicht staan om ervoor te zorgen dat ze niet met het product spelen.
- Blijf alert en kijk naar wat u doet en gebruik uw gezond verstand wanneer u de machine gebruikt. Gebruik deze machine niet als u moe, ziek of onder de invloed van alcohol, drugs of medicijnen bent. Een klein moment van onoplettendheid terwijl u de machine gebruikt kan leiden tot ernstige letsels.

- Draag een zware, lange broek, lange mouwen en stevig anti-slip-schoeisel. Draag geen korte broek en sandalen en ga nooit op blote voeten. Draag geen loszittende kledij of kledij met loshangende snoeren of touwen.
- Draag altijd een veiligheidsbril met zijdelingse bescherming.
- Overrek u niet. Zorg altijd dat u stevig op de grond staat, in het bijzonder op hellingen. Bewaar steeds een stevige houvast en goed evenwicht. Stap altijd, loop nooit.
- Gebruik het product langs een helling, nooit op een neer. Wees uiterst voorzichtig wanneer u op een helling van richting verandert.
- Gebruik het product niet in de buurt van afstelplaatsen, dijken, zeer steile hellingen of bermen. Een slechte houvast kan ertoe leiden dat u uitglijdt en valt.

WERKOMGEVING

- Gebruik de machine nooit wanneer zich mensen, in het bijzonder kinderen, en dieren in de buurt bevinden.
- Objecten die door de verticuteertanden worden geraakt kunnen ernstige verwondingen aan personen veroorzaken. Inspecteer de plaats waar de machine zal worden gebruikt grondig en verwijder alle stenen, stokken, metaal, draad, beenderen, speelgoed en andere vreemde voorwerpen. Onthoud dat een draad of kabel in de messen verstrikt kan raken.
- Gebruik het product uitsluitend bij daglicht of goede kunstmatige verlichting.
- Gebruik de machine niet in explosieve atmosferen, zoals in de aanwezigheid van ontvlambare vloeistoffen, gassen of stof. Het werktuig kan vonken veroorzaken die stof of gassen kunnen ontsteken.
- Gebruik de machine niet in vochtig gras of in de regen.
- Gebruik de machine niet op een geasfalteerd of grintoppervlak waar uitgeworpen materiaal verwondingen kan veroorzaken.
- Gebruik het apparaat uitsluitend op een vlakke ondergrond, door de bestuurder met twee handen aan de stuurstang te bedienen.
- Vermijd het gebruik van de verticuteermachine bij slecht weer, vooral wanneer er een risico op blikseminslag bestaat.
- Hou er rekening mee dat de bediener of gebruiker verantwoordelijk is voor ongevallen of gevaren t.o.v. anderen of hun eigendom.
- Tragische ongevallen kunnen gebeuren indien de bediener niet alert is op de aanwezigheid van kinderen. Neem nooit aan dat kinderen zullen blijven waar u ze laatst zag.
- Houd kinderen uit het werkbereik en onder toezicht van een andere verantwoordelijke volwassene dan de gebruiker; wees alert en zet het apparaat uit als een kind het bereik betreedt.
- Wees extra voorzichtig bij het naderen van blinde hoeken, struiken, bomen of andere voorwerpen die uw zicht kunnen blokkeren, zoals overhangende takken en struiken.





GEbruik EN ONDERHOUD VAN HET ACCUaANGE- DREVEN WERKtuIG

- Lees, begrijp en volg altijd de veiligheidsvoorschriften die met uw batterij en lader werden meegeleverd. Als u dit niet doet, kan dit leiden tot een elektrische schok, brand of een andere gevaarlijke situatie. Bewaar alle instructies samen op een veilige plaats voor later gebruik.
- Accuaangedreven gereedschap hoeft niet met een stopcontact te zijn verbonden en bevindt zich daarom altijd in een gebruiksklare toestand. Verwijder de isolatorsleutel wanneer u het product niet gebruikt.
- Verwijder het accupack voor u de machine afstelt, reinigt of materiaal uit de machine verwijdert.
- Zorg ervoor dat de isolatorsleutel wordt verwijderd voor het accupack wordt ingebracht.
- Een accupack mag uitsluitend worden herladen met de lader die door de fabrikant wordt gespecificeerd. Wanneer u een lader met een niet-compatibel accupack gebruikt kan dit een risico op brand veroorzaken. Gebruik het accupack uitsluitend met de opgelijste oplader.
- Gebruik uitsluitend accupacks die specifiek voor de machine zijn bedoeld. Het gebruik van een ander accupack kan leiden tot risico op brand, elektrische schok of lichamelijke letsels.
- Wanneer het accupack niet wordt gebruikt, moet u het weg houden van andere metalen objecten, zoals papierclips, munten, sleutels, spijkers, schroeven of andere kleine metalen voorwerpen die een verbinding kan maken van een terminal naar een andere. Het kortsluiten van de batterijterminals kan vonken, brand, brandwonden of een explosie veroorzaken.
- Plaats geen accuprodukten of hun accu's in de buurt van vuur of hitte. Dit verhoogt het risico op explosies en mogelijke verwondingen.
- Open of beschadig het accupack nooit. Vrijgekomen elektrolyt is corrosief en kan schade aan ogen of huid veroorzaken. Het kan giftig zijn indien het wordt ingenomen.
- Bescherm het accupack tegen vocht en water. Laad de machine niet op een vochtige of natte plek op. Het naleven van deze regel verlaagt het risico op elektrische schok.
- In geval van schade en oneigenlijk gebruik van de accu, kan er stoom vrijkomen. Zorg voor verse lucht en raadpleeg medische hulp ingeval van klachten. De stoom kan leiden tot irritatie van de luchtwegen.
- Laat het batterijpack niet in een voertuig achter in warme of koude omstandigheden.
- Verbrand de accu niet.
- In oneigenlijke omstandigheden, kan een vloeistof uit de accu lekken; vermijd contact hiermee. Als per ongeluk contact voorkomt, spoelt u met water. Als de vloeistof in contact komt met de ogen, dient u bijkomend medische hulp te raadplegen. Vloeistof die uit de accu lekt, kan irritatie of brandwonden veroorzaken.

VEILIGHEIDSWAARSCHUWINGEN VERTICUTEER- EN BELUCHTINGSMACHINE

- De tanden op het apparaat zijn scherp. Wees voorzichtig en draag zware handschoenen wanneer u de veiligheidsbout installeert, vervangt, reinigt of controleert.
- Controleer of alle schroeven, moeren, bouten en andere bevestigingsmiddelen goed vastzitten en of de afschermingen en platen juist zijn aangebracht. Vervang beschadigde of onleesbare etiketten.
- Vervang versleten of beschadigde onderdelen voor u het product gebruikt.
- Installeer de opvangbak alvorens te verticuteren. Leeg de volle opvangbak en plaats deze opnieuw alvorens weer in gebruik te nemen.
- Het product moet worden gestart terwijl de gebruiker achter het handvat staat in de veilige zone. Start het product nooit als:
 - alle vier de wielen zich niet op de bodem bevinden
 - de vuilafvoergoot is open en wordt niet beschermd door de opvangbak en de afdekking van de vuilafvoergoot.
- Gebruik het product nooit als de aan-/uitknop op het handvat het product niet correct start en stillet.
- Vergrendel nooit de aan/uit-schakelaars in de aanstand; dit is uiterst gevaarlijk.
- Forceer het product niet. Deze zal beter en veiliger werken aan de snelheid waarvoor ze werd ontworpen.
- Stop de bewegende tanden bij het oversteken van grindoppervlakken.
- Wees uiterst voorzichtig wanneer u achteruit rijdt of het product naar u toe trekt.
- Stop de tanden als het apparaat moet worden gekanteld voor transport bij het oversteken van andere oppervlakken dan gras en bij het transporteren van het product van en naar het werkbereik.
- Gebruik het product nooit met defecte afschermingen, platen, of zonder veiligheidsvoorzieningen, zoals bijvoorbeeld correct geplaatste deflectoren en/of opvangbakken.
- Kantel het product niet bij het inschakelen van de motor, behalve als de machine moet worden gekanteld om te starten. Indien absoluut noodzakelijk mag u uitsluitend het deel optillen, dat zich niet in de buurt van de gebruiker bevindt. Zorg er altijd voor dat beide handen zich in de werkstand bevinden, alvorens de machine weer op de grond te zetten.
- Schakel de machine voorzichtig volgens de instructies in en zorg dat handen en voeten zich uit de buurt van de messen bevinden. Steek uw handen of voeten niet in de buurt van of onder ronddraaiende onderdelen. Hou de uitlaatopening altijd vrij.
- Hef het product nooit op of draag het nooit terwijl de motor draait.
- Schakel het product uit en ontkoppel het van de stroomvoorziening. Zorg ervoor dat alle bewegende delen volledig tot stilstand zijn gekomen.

EN
FR
DE
ES
IT
NL
PT
DA
SV
FI
NO
RU
ET
CS
PL
HU
RO
LV
LT
ET
HR
SL
SK
BG
UK
TR





- wanneer u het product onbeheerd achter laat (ook bij het verwijderen van het grasafval)
 - alvorens een blokkade te verwijderen of de afvoergoot te ontstoppen
 - voor u het product controleert, reinigt of aan het product werkt.
 - nadat een vreed voorwerp de machine heeft geraakt; inspecteer de machine op schade en herstel de machine indien nodig voor u de ze heropstart en opnieuw gebruikt.
- Als het product abnormaal begint te trillen, controleer dan onmiddellijk of:
 - controleer op schade
 - vervang of repareer alle beschadigde onderdelen
 - controleer op losse onderdelen en maak vast
 - Vermijd gaten, sporen, oneffenheden, stenen of andere verborgen voorwerpen. Een oneven terrein kan ervoor zorgen dat u wegglijdt en valt.
 - Laat de hendel onmiddellijk los en blijf uit de buurt van de machine indien:
 - het apparaat in brand vliegt
 - de afscherming en/of behuizing is gebroken
 - abnormaal geluid te horen is
 - als er zich een ongeval of defect voordoet
 - Zorg er altijd voor dat de motorbesetingskabel tijdens de montage of wanneer het handvat wordt geplooid, nooit geklemd of op een andere manier beschadigd raakt.

WAARSCHUWING

Zorg ervoor dat de tanden volledig stilstaan alvorens de opvangbak te verwijderen of te plaatsen.

WAARSCHUWING

Raak de gevaarlijke bewegende delen niet aan totdat de stroomvoorziening is uitgeschakeld en de bewegende delen volledig tot stilstand zijn gekomen.

EXTRA WAARSCHUWINGEN BATTERIJVEILIGHEID

WAARSCHUWING

Voorkom brand, persoonlijk letsel of materiële schade door kortsluiting en dompel het gereedschap, de wisselaccu en het laadtoestel niet onder in vloeistoffen en waarborg dat geen vloeistoffen in de apparaten en accu's kunnen dringen. Corrosieve of geleidende vloeistoffen zoals zout water, bepaalde chemicaliën, bleekmiddelen of producten die bleekmiddelen bevatten, kunnen een kortsluiting veroorzaken.

INRICHTING VOOR BESCHERMING TEGEN OVERBELASTING

Het product heeft een overbelastingsbeveiliging. Wanneer overbelasting wordt opgespoord, zal het apparaat automatisch worden uitgeschakeld. Als de bescherming tegen overbelasting wordt ingeschakeld, moet de motor 5 tot 10 minuten afkoelen.

Schakel het product uit en ontkoppel het van de stroomvoorziening. De messen zijn scherp; draag werkhandschoenen als u de messen aanraakt. Zorg dat de tanden vrij kunnen draaien en niet zijn vastgelopen of strakstaan.

Sluit de stekker aan op de voeding en schakel het product in als de motor is afgekoeld. Druk op de start-knop en dan op de aan/uit-knop om het product te starten. Laat het product alleen onderhouden door een erkend onderhoudscentrum als het product nog steeds niet start.

ALGEMENE VERTICUTEERTIPS

- Pas de maaihoogte aan de omstandigheden van uw gazon en de lengte van het gras aan.
- Maai uw gazon en breng als uw gazon een mosprobleem heeft mosverdelger aan, een week voordat u van plan bent om te verticuteren.
- Besproei uw gazon een paar dagen voor het verticuteren met water om er zeker van te zijn dat uw gazon vochtig maar niet te nat is.

TRANSPORT EN OPSLAG

- Verwijder alle vreemde voorwerpen van het product. Bewaar op een koele, droge en goed geventileerde plaats die niet toegankelijk is voor kinderen. Houd corrosieve producten, zoals tuinchemicaliën en strooizout uit de buurt van het apparaat. Bewaar niet buitenshuis.
- Voor transport beveiligt u het product tegen bewegen of vallen om lichamelijke letsels of schade aan het product te voorkomen.

WAARSCHUWING

Wees uiterst voorzichtig wanneer u de machine optilt of opheft voor onderhoud, reiniging, opslag of transport. De tanden zijn scherp, houd alle lichaamsdelen uit de buurt van de tanden terwijl deze blootliggen.

LITHIUMBATTERIJEN TRANSPORTEREN

De accu's dienen in overeenstemming met de plaatselijk en nationale regelgeving te worden getransporteerd.

Respecteer alle speciale voorwaarden op de verpakking en etikettering wanneer u de accu's door derden laat transporteren. Zorg ervoor dat de accu's tijdens het transport niet in contact komen met andere batterijen of geleidende materialen door blootliggende connectoren met isolerende, niet-geleidende doppen of plakband te beschermen. Transporteer geen accues die lekken of gebarsten zijn. Overleg met het transportbedrijf voor verder advies.



ONDERHOUD

⚠ WAARSCHUWING

Gebruik uitsluitend originele vervangonderdelen, accessoires en voorzetstukken van de fabrikant. Als u dit niet doet, kan dit mogelijks letsels of slechte prestaties veroorzaken waardoor uw garantie kan vervallen.

⚠ WAARSCHUWING

Het onderhoud vereist extreme voorzichtigheid en deskundigheid en mag enkel door een gekwalificeerde onderhoudstechnicus worden uitgevoerd. Het product mag uitsluitend door een erkend servicecentrum worden gerepareerd. Gebruik uitsluitend originele vervangonderdelen wanneer u onderhoudswerken aan de machine uitvoert.

- Wanneer het apparaat gestopt wordt voor onderhoud, inspectie, opslag of vervanging van een accessoire, schakel dan de stroombron uit, haal de stekker uit het stopcontact en controleer of alle bewegende onderdelen volledig tot stilstand zijn gekomen. Laat de machine afkoelen voor u ze inspecteert, afstelt, etc. Onderhoud het product met zorg en houd het schoon.
- Check de opvangbak regelmatig op slijtage, gaten of beschadiging.
- U kunt de afstellingen en reparaties die in deze gebruiksaanwijzing worden vermeld, uitvoeren. Voor andere herstellingen of advies, vraagt u hulp in een geautoriseerd onderhoudscentrum.
- Vervang versleten of beschadigde onderdelen om de veiligheid te bewaren. Gebruik uitsluitend originele vervangonderdelen en accessoires.
- Na elk gebruik, reinigt u het product met een zachte, droge doek. Een beschadigd onderdeel moet door een geautoriseerd onderhoudscentrum goed worden gerepareerd of vervangen.
- Controleer regelmatig of alle moeren, bouten en vijzen goed zijn vastgemaakt om zeker te zijn dat het product veilig kan worden gebruikt.
- Wees voorzichtig bij het afstellen van de machine om te voorkomen dat vingers tussen bewegende tanden en vaste delen bekneld raken.
- Wanneer u onderhoud aan de tanden uitvoert, moet u erop letten dat hoewel de stroomvoorziening is uitgeschakeld, de messen nog altijd kunnen bewegen.
- De tanden op het apparaat zijn scherp. Wees voorzichtig en draag zware handschoenen wanneer u de veiligheidsbout installeert, vervangt, reinigt of controleert.

VERWIJDEREN VAN BLOKKADES

- Schakel het product uit en ontkoppel het van de stroomvoorziening.
- Draag altijd zware veiligheidshandschoenen wanneer u een obstructie controleert en vrijmaakt.
- De tanden zijn scherp en de blokkade zelf kan een scherp voorwerp zijn.

- Verwijder de opvangbak, controleer of er zich geen obstakels in bevinden en verwijder deze indien nodig zorgvuldig.
- Controleer de grasafvoergoot op verstoppingen en verwijder deze zorgvuldig.
- Draai het product op zijn kant en controleer de onderkant van het product en het bereik rond de tanden. Verwijder eventuele gevonden blokkades zorgvuldig. Vergeet niet dat de tanden tijdens het schoonmaken kunnen bewegen.

RESTRISICO'S

Zelfs wanneer het product zoals voorgeschreven wordt gebruikt, is het nog steeds onmogelijk om bepaalde restrisico's volledig te elimineren. De volgende gevaren kunnen ontstaan tijdens het gebruik en de bediener moet bijzondere aandacht hebben om de volgende situaties te voorkomen:

- Letsels veroorzaakt door trillingen
 - Gebruik altijd het voor de taak geschikte werktuig. Gebruik de daarvoor bestemde handvatten. Beperk de werktijd en blootstelling.
- Verwondingen veroorzaakt door geluid.
 - Blootstelling aan geluid kan gehoorletsels veroorzaken. Draag gehoorbescherming en beperk de blootstelling.
- letsel veroorzaakt door aanraking met de tanden
- Letsel veroorzaakt door losse voorwerpen

RISICOBEPERKING

Er zijn meldingen dat trillingen van handwerktuigen bij sommige mensen bijdragen tot het Syndroom van Raynaud. Symptomen kunnen ondermeer tintelingen, gevoelloosheid en bleek worden van de vingers omvatten, wat normaal gezien duidelijk wordt bij blootstelling aan koude. Erfelijke factoren, blootstelling aan koude en vocht, dieet, roken en werkroutine kunnen allemaal bijdragen tot de ontwikkeling van deze symptomen. Er kunnen door de bediener maatregelen worden genomen om de gevolgen van de trillingen te beperken:

- Houd bij koud weer uw lichaam warm. Draag handschoenen terwijl u het product gebruikt om de handen en polsen warm te houden. Men neemt aan dat koud weer een belangrijke factor is die bijdraagt tot het Syndroom van Raynaud.
- Doe oefeningen om de bloeddoorstroming te bevorderen na elke periode van gebruik.
- Neem regelmatig een pauze. Beperk het aantal uren dat u per dag wordt blootgesteld.

Wanneer u enige van de symptomen van deze aandoening ervaart, stop dan onmiddellijk met het gebruik van het toestel en raadpleeg uw dokter

⚠ WAARSCHUWING

Letsels kunnen worden veroorzaakt of ernstiger worden door verlengd gebruik van een werktuig. Als u een werktuig gedurende langere periodes gebruikt, neem dan regelmatig pauze.

KEN UW PRODUCT

Zie pagina 134.

1. Schakelknop
2. Handgrepen
3. Triggers
4. Pal bovenste handgreep
5. Knoppen
6. Inbusleutel
7. Tandem
8. Sleutelschakelaar
9. Achterwielen
10. Voorwielen
11. Accu
12. Lader
13. Beluchtingstoestel
14. Hoogteafstellingshendel
15. Accuklep
16. Achterdeur
17. Opvangbak
18. Montage onderste handgreep
19. Bedrading

SYMBOLEN OP HET PRODUCT



Waarschuwing



Gelieve de instructies zorgvuldig te lezen voordat u de machine in gebruik neemt.



Draag gehoorbescherming



Draag gezichtsbescherming



Stel niet bloot aan regen of vocht.



Houd rekening met weggeslingerde of rondvliegende voorwerpen. Houd alle omstanders, in het bijzonder kinderen en huisdieren, op tenminste 15m afstand van het werkgebied.



Neem de scherpe tanden in acht. Nadat de motor is uitgeschakeld blijven de tanden nog even in beweging. Verwijder de startsleutel alvorens onderhoudstaken uit te voeren.



Gebruik niet bij hellingen steiler dan 15°. Gebruik het product langs een helling, nooit op een neer.



Werkbreedte: 35 cm.



Elektrisch afval mag niet samen met ander huishoudafval worden weggegooid. Gelieve te recycleren indien de mogelijkheid bestaat. Neem contact op met uw lokaal bestuur of handelaar om advies te krijgen over recyclage.



Dit apparaat voldoet aan alle geldende normen van Lid-Staat van de Europese Unie waar het werd gekocht.



EurAsian-symbool van overeenstemming



Oekraïens conformiteitsymbool



De gegarandeerde geluidsdruk wordt op dit etiket als zijnde 95 dB.

SYMBOLEN IN DEZE GEBRUIKSAANWIJZING



Onderdelen of accessoires afzonderlijk verkocht



Opmerking



Waarschuwing

De volgende kernwoorden en verklaringen zijn bedoeld om de gevaarniveaus die op dit toestel betrekking hebben, te verklaren.

GEVAAR

Wijst op een gevaarlijke situatie die, als ze niet wordt voorkomen, dodelijk kan zijn of ernstige verwondingen kan veroorzaken.

WAARSCHUWING

Wijst op een mogelijks gevaarlijke situatie die, als ze niet wordt voorkomen, dodelijk kan zijn of ernstige verwondingen kan veroorzaken.

LET OP

Wijst op een mogelijks gevaarlijke situatie die, als ze niet wordt voorkomen, kleine of middelmatige verwondingen kan veroorzaken.

LET OP

Zonder veiligheidswaarschuwingssymbool

Wijst op een situatie die kan leiden tot materiële schade.



No design do seu escarificador ou aerador, demos prioridade à segurança, ao desempenho e à fiabilidade.

USO PREVISTO

O escarificador ou aerador sem fios destinam-se apenas a uma utilização no exterior. As quatro rodas devem tocar no chão durante a escarificação ou aeração.

O produto foi concebido com dentes de escarificação para a escarificação de relvados domésticos.

O produto equipado com um acessório aerador foi concebido para criar furos no solo para reduzir a compactação do mesmo.

O produto é um escarificador de relvados de operação manual, concebido para ser empurrado à mão. Não deve puxar ou transportar-se no produto. Não deve ser utilizado para escarificar quaisquer outros terrenos que não sejam relvados domésticos.

Não a use para nenhuma outra finalidade.

AVISOS GERAIS DE SEGURANÇA DA FERRAMENTA ELÉCTRICA

⚠ ADVERTÊNCIA

Ao utilizar o produto, devem seguir-se as normas de segurança. Para a sua própria segurança e a dos que o rodeiam, leia estas instruções antes de utilizar o produto. Guarde as instruções para usá-las no futuro.

⚠ ADVERTÊNCIA

Utilize o produto apenas com os conjuntos de baterias especificados neste Manual. Ao usar a máquina com a bateria a funcionar, deve seguir sempre as precauções básicas de segurança para reduzir o risco de incêndio, fugas da bateria e danos corporais.

SEGURANÇA PESSOAL

- O produto tem capacidade para amputar mãos e pés, e para projectar objectos! Na eventualidade de não cumprir com todas as instruções de segurança, tal poderá causar graves lesões ou morte.
- Familiarize-se com os controlos e a utilização adequada do aparelho.
- Nunca permita que crianças ou pessoas com capacidades físicas, sensoriais ou mentais reduzidas, ou pessoas não familiarizadas com estas instruções, operem, limpem ou realizem qualquer manutenção no aparelho. A legislação local pode restringir a idade do operador. As crianças devem ser mantidas sob vigilância adequada para se garantir que não brincam com o produto.
- Ao operar esta unidade, permaneça alerta, tenha em atenção ao que está a fazer e use o bom senso. Não opere esta unidade se estiver cansado ou sob a influência de drogas, álcool ou medicamentos. Uma falta de concentração durante o funcionamento do cortador pode resultar em lesão corporal grave.

- Use calças compridas de tecido grosso, mangas compridas e calçado grosso anti-derrapante. Não use calções e sandálias, nem ande descalço. Evite usar roupa larga ou com cordões ou laços.
- Use sempre óculos de segurança com protectores laterais.
- Não se aproxime em demasia. Tenha sempre certeza onde põe os pés, especificamente em sítios inclinados. Mantenha-se bem apoiado e equilibrado. Ande e nunca corra.
- Utilize o aparelho na superfície de encostas, nunca para cima, nem para baixo. Tenha extrema cautela ao mudar de direcção nas inclinações.
- Não utilize o aparelho perto de declives, valas, zonas de inclinação excessiva ou aterros. Um fraco equilíbrio pode causar um acidente em que escorrega e cai.

AMBIENTE DE TRABALHO

- Nunca coloque a máquina a funcionar quando pessoas, especialmente crianças ou animais de estimação estão por perto.
- Os objetos atingidos pelos dentes do escarificador podem provocar ferimentos pessoais graves. Inspeccione cuidadosamente a área onde o cortador vai ser utilizado e retire todas as rochas, paus, metais, fios, ossos, brinquedos ou outros objectos estranhos. Lembre-se, o fio ou o cabo podem emaranhar-se com as lâminas.
- Utilize o aparelho apenas com luz diurna ou com uma boa luz artificial.
- Não opere a máquina em atmosferas explosivas, tais como na presença de líquidos inflamáveis, gases ou poeira. A ferramenta pode criar fagulhas que podem incendiar o pó ou os gases.
- Não trabalhe com o cortador em relva molhada ou sob chuva.
- Não ponha a máquina a funcionar numa superfície pavimentada ou com grilha onde o material ejectado possa causar lesões.
- Opere o produto apenas numa superfície nivelada, utilizando uma operação com duas mãos com o operador atrás do volante.
- Evite utilizar o escarificador em condições climáticas adversas, em especial se existir o risco de relâmpagos.
- Mantenha em mente que o operador ou o utilizador é responsável pelos acidentes ou perigos que ocorrem a outras pessoas ou à sua propriedade.
- Podem ocorrer acidentes trágicos caso o operador não esteja alerta em relação à presença de crianças. Nunca assuma que as crianças vão permanecer onde as viu por último.
- Mantenha as crianças afastadas da área de trabalho e sob o olhar atento de um outro adulto responsável (sem ser o utilizador) e esteja alerta e pronto a desligar o produto
- Tenha especial cuidado quando se aproximar de esquinas sem visibilidade, arbustos, árvores ou outros objectos (incluindo ramadas pendentes de arbustos) que possam bloquear a sua visão.





UTILIZAÇÃO E MANUTENÇÃO DA BATERIA

- Leia, compreenda e siga sempre as instruções de segurança que são fornecidas com a sua bateria e carregador. A não observância pode resultar em choque elétrico, incêndio ou outras situações de perigo. Guarde todas as instruções juntas num local seguro para futuras consultas.
- As unidades operadas com bateria não têm que estar ligadas a uma tomada eléctrica, por conseguinte, estarão sempre em estado de funcionamento. Tire a chave comutadora quando não utilizar o produto.
- Extraia a bateria antes de fazer qualquer ajuste, limpeza ou de tirar material da unidade.
- Certifique-se que a chave de isolamento foi retirada antes de inserir a bateria.
- A bateria apenas deve ser carregada apenas com o carregador especificado pelo fabricante. O uso de um carregador com um pacote de baterias incompatíveis pode criar um risco de incêndio. Use a bateria apenas com o carregador indicado.
- Utilize apenas a bateria concebida especificamente para a máquina. O uso de qualquer outra bateria pode resultar num risco de incêndio, choque eléctrico ou danos corporais.
- Quando a bateria não estiver a ser utilizada, mantenha-a afastada de outros objectos metálicos como cliques de papel, moedas, chaves, pregos, parafusos, ou outros pequenos objectos metálicos que podem fazer a ligação de um terminal para outro. Curto circuitar os terminais da bateria pode provocar faíscas, queimaduras, incêndios e explosões.
- Não coloque aparelhos com bateria ou as respectivas baterias perto de fogo ou fontes de calor. Tal aumenta o risco de explosão e de lesões.
- Não abra nem danifique a bateria. O electrólito libertado é corrosivo e pode causar danos nos olhos ou na pele. Pode ser tóxico no caso de ingestão.
- Proteja a bateria contra a humidade e a água. Não carregue a unidade em lugares húmidos ou molhados. O cumprimento desta regra irá reduzir o risco de choque eléctrico.
- Em caso de danos e uso inadequado da bateria, poderia emitir-se vapor. Proporcione ar fresco e vá a um médico em caso de queixas. O vapor pode irritar o sistema respiratório.
- Não deixe a bateria dentro de um veículo em condições de frio ou calor.
- Não queime a bateria.
- Sob circunstâncias abusivas, o líquido pode ser ejectado da bateria, evite o contacto. Se o contacto ocorrer acidentalmente, limpe com água abundante. Se o líquido entrar em contacto com os olhos, procure adicionalmente assistência médica. O líquido ejectado da bateria pode causar irritação ou queimaduras.

AVISOS DE SEGURANÇA DO ESCARIFICADOR E DO AERADOR

- Os dentes do produto são afiados. Tenha cuidado e use luvas pesadas ao encaixar, substituir, limpar ou verificar o parafuso de segurança.

- Verifique se todos os parafusos, porcas e outros fixadores estão devidamente fixos e se as proteções e filtros estão instalados. Substitua as etiquetas ilegíveis ou danificadas.
- Substitua as peças desgastadas ou danificadas antes de operar o aparelho.
- Instale o coletor de detritos antes de escarificar. Esvazie o coletor de detritos quando estiver cheio e instale novamente antes de retomar o funcionamento.
- O produto deve ser ligado com o utilizador situado atrás do guiador, na zona de segurança do operário. Nunca ligue o produto se:
 - as quatro rodas não estiverem no chão
 - a calha de descarga de detritos está exposta e não está protegida pelo coletor de detritos e pela tampa da calha de descarga de detritos
- Nunca utilize o produto se o interruptor de ligar/desligar situado no guiador não ligar e desligar o produto de forma correta.
- Nunca bloqueie os interruptores para ligar/desligar na posição ligada; fazê-lo é extremamente perigoso.
- Não force o produto. Realizará um trabalho melhor e mais seguro à velocidade para a qual foi concebida.
- Pare os dentes ao atravessar superfícies com gravilha.
- Seja extremamente cauteloso ao recuar ou puxar o produto em direção a si próprio.
- Pare os dentes se o produto tiver de ser inclinado para o transporte ao atravessar superfícies que não sejam de relva e ao transportar o produto de e para a área de trabalho.
- Nunca utilize o produto com proteções ou filtros defeituosos ou sem os dispositivos de segurança, por exemplo, defletores e/ou coletores de detritos instalados.
- Não incline o motor ao ligar o motor, exceto se o equipamento tiver de ser inclinado para ligar. Caso seja absolutamente necessário, poderá levantar a parte que está afastado do operador. Certifique-se sempre de que ambas as mãos se encontram na posição de trabalho antes de colocar o equipamento no chão.
- Ligue o produto cuidadosamente, de acordo com as instruções, e mantenha as mãos e os pés afastados dos dentes. Não coloque as mãos ou os pés próximo das peças rotativas. Mantenha sempre a abertura de descarga desobstruída.
- Nunca levante nem transporte o aparelho com o motor em funcionamento.
- Desligue o produto e desconecte-o da fonte de alimentação. Certifique-se de que todas as peças em movimento pararam completamente:
 - Sempre que deixe o produto sem vigilância (inclusive enquanto tira os restos de erva).
 - antes de desobstruir bloqueios ou desentupir a calha de descarga
 - antes de verificar, limpar ou funcionar com o produto
 - após atingir um objeto estranho; inspecione o aparelho para verificar se fez danos e fazer reparações, se necessário, antes de reiniciar e





operar a máquina.

- Se o produto começar a vibrar de forma anormal, verifique imediatamente o seguinte:
 - inspeccionar os danos
 - substitua ou repare qualquer peça danificada
 - verifique e aperte as peças soltas
- Evite furos, raízes, solavancos, pedras ou outros objectos escondidos. Um terreno desnivelado pode fazer com que escorregue e caia.
- Solte imediatamente o volante e afaste-se do produto se:
 - o produto se incendiar
 - a proteção e/ou a estrutura estiverem partidos
 - ocorrerem sons anormais
 - se uma criança entrar na área
- Verifique sempre se o cabo de controlo de motor nunca fica preso, amassado ou danificado durante a montagem ou ao dobrar a pega.

⚠ ADVERTÊNCIA

Certifique-se de que os dentes estão completamente parados antes de remover ou instalar o coletor de detritos.

⚠ ADVERTÊNCIA

Não toque em peças móveis perigosas enquanto não tiver desligado o produto da fonte de alimentação e enquanto todas as peças móveis perigosas não tiverem parado completamente.

AVISOS DE SEGURANÇA ADICIONAIS DAS BATERIAS

⚠ ADVERTÊNCIA

Para evitar o risco de incêndio, de feridas ou de danificação do produto causado por um curto-circuito, não imerja a bateria intercambiável ou o carregador em líquidos e assegure-se de que líquidos não penetrem nos aparelhos ou nas baterias. Líquidos corrosivos ou condutivos como água salgada, determinadas substâncias químicas ou produtos que contenham branqueadores podem causar um curto-circuito.

DISPOSITIVO DE PROTECÇÃO CONTRA SOBRECARGAS

O produto tem um dispositivo de protecção contra sobrecarga. Quando é detectada uma sobrecarga, o produto desliga-se automaticamente. Se o dispositivo de protecção contra sobrecargas for actuado, então o motor eléctrico terá de ser deixado arrefecer durante 5 a 10 minutos.

Desligue o produto e desconecte-o da fonte de alimentação. Os dentes são afiados; calce luvas para trabalho pesado antes de tocar nos dentes! Certifique-se de que os dentes

podem rodar livremente e que não estão encravados nem demasiado justos.

Depois de o motor arrefecer, ligue a ficha à fonte de alimentação e ligue o produto. Pressione o botão Start (iniciar) e, em seguida, o botão On/Off para iniciar o aparelho. Se o produto não ligar., repare-o apenas num centro de assistência autorizado.

SUGESTÕES GERAIS DE ESCARIFICAÇÃO

- Ajuste a profundidade de corte de acordo com as necessidades do seu relvado e o comprimento da relva.
- Corte o seu relvado e aplique um produto antimusgo uma semana antes de planear escarificar se o seu relvado tiver problemas de musgo.
- Regue o relvado alguns dias antes de escarificar para garantir que o relvado está húmido, mas não excessivamente molhado.

TRANSPORTE E ARMAZENAMENTO

- Limpe todos os materiais estranhos do produto. Guarde-o num local fresco e seco e bem ventilado a que as crianças não consigam aceder. Mantenha-o afastado de substâncias corrosivas, tais como produtos químicos utilizados em jardinagem e sais de descongelação. Não armazenar ao ar livre.
- Para transportar, prenda o aparelho de modo a evitar que este se mova ou caia, para evitar lesões ou danos no produto.

⚠ ADVERTÊNCIA

Tenha muito cuidado ao levantar ou inclinar a máquina para operações de manutenção, limpeza, armazenamento ou transporte. Os dentes são afiados: mantenha todas as partes do corpo afastadas dos dentes enquanto estiverem expostos.

TRANSPORTE DE BATERIAS DE LÍTIU

Transporte as baterias em conformidade com as disposições e regulamentos locais e nacionais.

Siga todos os requisitos especiais na embalagem e rótulos ao transportar baterias por um terceiro. Certifique-se de que nenhuma bateria pode entrar em contacto com outras baterias ou materiais condutores durante o transporte protegendo os conectores expostos com tampas ou fita isoladora e não condutora. Não transporte baterias que estejam rachadas ou com fugas. Confirme com a empresa de envio para mais conselhos.

MANUTENÇÃO

⚠ ADVERTÊNCIA

Utilize apenas peças de substituição, acessórios e encaixes do fabricante original. A inobservância desta indicação pode causar um fraco desempenho, possíveis lesões e poderá anular a sua garantia.

- EN
- FR
- DE
- ES
- IT
- NL
- PT**
- DA
- SV
- FI
- NO
- RU
- PL
- CS
- HU
- RO
- LV
- LT
- ET
- HR
- SL
- SK
- BG
- UK
- TR



ADVERTÊNCIA

Os serviços de manutenção requerem extremo cuidado e conhecimentos e devem apenas ser realizado por um técnico de assistência qualificado. Repare o seu produto exclusivamente num centro de assistência autorizado. Durante as operações de manutenção, utilize peças de substituição originais do fabricante.

- Quando o produto estiver parado para a realização de tarefas de revisão, inspeção ou armazenamento, desligue a fonte de alimentação ou para mudar um acessório, desligue a alimentação elétrica, desligue o produto da alimentação elétrica e certifique-se de que todas as peças móveis estão completamente paradas. Deixe que a máquina arrefeça antes de realizar inspeções, ajustes, etc. Proceda à manutenção e limpeza cuidadosas do produto.
- Verifique frequentemente o coletor de detritos para identificar sinais de desgaste, furos ou deterioração.
- Pode realizar os ajustes e reparações descritos neste manual do utilizador. Para outros reparos ou conselhos, procurar a ajuda de um centro de serviço autorizado.
- Substitua as peças desgastadas ou danificadas por razões de segurança. Utilize apenas peças e acessórios de substituição genuínos.
- Limpar o produto com um pano suave seco depois de cada uso. Qualquer peça danificada deve ser substituída ou reparada adequadamente por um centro de serviço autorizado.
- Verifique todas as porcas, pregos e parafusos com intervalos frequentes para confirmar a tensão apropriada e se certificar que o produto está em condições seguras de funcionamento.
- Exerça cuidado ao ajustar o produto para evitar render os dedos entre os dentes móveis e partes fixas do produto.
- Ao efetuar a revisão dos dentes, note que embora a alimentação elétrica esteja desligada, os conjunto de dentes pode mover-se.
- Os dentes do produto são afiados. Tenha cuidado e use luvas pesadas ao encaixar, substituir, limpar ou verificar o parafuso de segurança.

DESBLOQUEAR

- Desligue o produto e desconecte-o da fonte de alimentação.
- Use sempre luvas pesadas de proteção ao verificar e eliminar uma obstrução.
- Os dentes são afiados e o bloqueio pode ser um objeto cortante.
- Retire o coletor de detritos, verifique e retire cuidadosamente quaisquer obstruções.
- Inspecione a calha de descarga de aparas, procurando obstruções e, cuidadosamente, retire quaisquer obstruções.
- Tombe o produto, assentando-o de lado e inspecione a parte inferior e a área em torno dos dentes. Retire cuidadosamente quaisquer bloqueios encontrados.

Lembre-se de que os dentes podem mover-se durante a limpeza.

RISCOS RESIDUAIS

Mesmo quando se utiliza o produto segundo as instruções, continua a ser impossível eliminar por completo certos fatores de risco residuais. Podem surgir os seguintes riscos durante o uso e o operador deve prestar especial atenção para evitar o seguinte:

- Lesões por vibração
 - Use sempre a ferramenta adequada para o trabalho. Utilize as pegas designadas. Limite o tempo de trabalho e a exposição.
- Lesões devido ao ruído
 - A exposição ao ruído pode provocar perda de audição. Use proteção para os ouvidos e limite o tempo de exposição.
- ferimentos causados pelo contacto com os dentes
- Ferimentos causados por objectos projectados

REDUÇÃO DO RISCO

Foi reportado que as vibrações das ferramentas de mão podem contribuir para uma doença designada de Síndrome de Raynaud em determinados indivíduos. Os sintomas podem incluir formigueiro, entorpecimento e empalidimento dos dedos, habitualmente visível aquando da exposição ao frio. Estima-se que os factores hereditários, exposição ao frio e humidade, dieta, tabagismo e práticas de trabalho contribuem todos para o desenvolvimento destes sintomas. Existem medidas que podem ser tomadas pelo operador para possivelmente reduzir os efeitos da vibração:

- Mantenha o seu corpo quente durante o tempo frio. Ao operar o produto, use luvas para manter as mãos e os pulsos quentes. Encontra-se reportado que o tempo frio é um grande factor que contribui para o Síndrome de Raynaud.
- Após cada período de operação, exercite para aumentar a circulação sanguínea.
- Faça pausas frequentes no trabalho. Limite o tempo de exposição por dia.

Caso sinta algum dos sintomas desta doença, interrompa de imediato a sua utilização e consulte o seu médico sobre estes sintomas.

ADVERTÊNCIA

O uso prolongado de uma ferramenta pode causar o agravar lesões. Ao usar qualquer ferramenta durante períodos prolongados, assegure-se que faz intervalos regulares.

CONHEÇA O SER APARELHO

Ver a página 134.

1. Botão de interruptor
2. Punhos
3. Gatilhos
4. Haste da pega superior
5. Botões

6. Chave sextavada
7. Dentes
8. Chave do interruptor
9. Rodas traseiras
10. Rodas frontais
11. Bateria
12. Carregador
13. Acessório do aerador
14. Alavanca reguladora da altura
15. Tampa da bateria
16. Porta traseira
17. Coletor de resíduos
18. Conjunto de pegas inferior
19. Cablagem



Esta ferramenta obedece a todas as normas regulamentares do país da UE onde foi comprada.



Marca de conformidade EurAsian



Marca de conformidade ucraniana



O nível garantido de potência sonora mostrado neste rótulo é de 95 dB.

- EN
- FR
- DE
- ES
- IT
- NL
- PT**
- DA
- SV
- FI
- NO
- RU
- PL
- CS
- HU
- RO
- LV
- LT
- ET
- HR
- SL
- SK
- BG
- UK
- TR

SÍMBOLOS NO PRODUTO



Aviso



Agradecemos que leia atentamente as instruções antes de iniciar a máquina.



Use protecção para os ouvidos



Usar protecção para os olhos



Não o exponha à chuva ou a condições de humidade.



Tenha cuidado com os objectos voláteis ou lançados. Mantenha todos os espectadores, especialmente crianças e animais de estimação, a pelo menos 15 m da área de funcionamento.



Atenção aos dentes afiados. Os dentes continuam a rodar mesmo depois de desligar o motor. Retire a chave do isolador antes de proceder a tarefas de manutenção.



Não trabalhe com o cortador em inclinações superiores a 15°. Utilize o aparelho na superfície de encostas, nunca para cima, nem para baixo.



Largura de trabalho: 35 cm



Os aparelhos eléctricos antigos não devem ser eliminados juntamente com o lixo doméstico. Recicle onde existem instalações para o efeito. Verifique com as suas Autoridades Locais ou revendedor para obter informações sobre reciclagem.

SÍMBOLOS NESTE MANUAL



As peças ou acessórios vendem-se separadamente



Nota



Aviso

As seguintes palavras de sinal e significados destinam-se a explicar os níveis de risco associados a este produto.

⚠ PERIGO

Indica uma situação perigosa iminente, que, se não evitada, poderá resultar em morte ou ferimentos graves.

⚠ ADVERTÊNCIA

Indica uma situação potencialmente perigosa, que, se não evitada, poderá conduzir à morte ou graves lesões.

⚠ ADVERTÊNCIA

Indica uma situação potencialmente perigosa, que, se não evitada, poderá resultar em pequenas ou moderadas lesões.

ADVERTÊNCIA

Sem símbolo de alerta de segurança
Indica uma situação que pode resultar em danos de propriedade.

Sikkerhed, ydeevne og pålidelighed er blevet givet topprioritet i designet af din trådløse mosfjerner eller plænelufter.

TILTÆNKET ANVENDELSESFØRMÅL

Den trådløse mosfjerner eller plænelufter er kun beregnet til udendørs brug. Alle fire hjul skal røre ved jorden, mens mosfjernereren eller plænelufteren kører.

Produktet er udstyret med tænder til mosfjerning på private græsplæner.

Produktet, der er udstyret med et plænelufter-modul, er designet til at skabe huller i jorden for at reducere jordkomprimering.

Produktet er en fodgængerstyret mosfjerner, der er designet til at blive skubbet for hånd. Produktet bør ikke trækkes eller rides på. Den bør ikke bruges til at fjerne mos fra andet end private græsplæner.

Må ikke bruges til andre formål.

GENERELLE SIKKERHEDSADVARSLER FOR EL-VÆRKTØJ

⚠ ADVARSEL

Når produktet anvendes, skal sikkerhedsreglerne overholdes. Af hensyn til egen og andres sikkerhed skal man læse denne brugsanvisning, inden produktet anvendes. Disse sikkerhedsregler skal opbevares med henblik på senere brug.

⚠ ADVARSEL

Brug kun produktet med de batterier, der er anført i denne vejledning. Når man bruger den batteridrevne maskine, skal man altid følge de grundlæggende sikkerhedsforanstaltninger for at reducere faren for brand, lækkende batterier og personskader.

PERSONLIG SIKKERHED

- Produktet er i stand til at amputere hænder og fødder og kaste genstande ud. Manglende overholdelse af samtlige sikkerhedsinstrukser kan have alvorlige skader, eller i værste fald døden, til følge.
- Sørg for at blive fortrolig med betjeningselementerne samt den korrekte brug af produktet.
- Lad aldrig børn eller personer med begrænsede fysiske, sensoriske eller mentale evner eller personer, som ikke er bekendt med denne brugsanvisning, benytte, rengøre eller vedligeholde produktet. Lokale love kan have indflydelse på den tilladte brugerage. Børn bør holdes under tilstrækkeligt opsyn, så man er sikker på, at de ikke leger med produktet.
- Når man bruger produktet, skal man være agtpågivende, iagttage hvad man gør og bruge sund fornuft. Undlad at bruge dette produkt, hvis du er træt, syg eller påvirket af alkohol, narkotika eller medikamenter. Et kort koncentrationssvigt, mens man betjener maskinen, kan medføre alvorlige personskader.

- Bær kraftige, lange bukser, trøje med lange ærme, robust og skridsikket fodtøj. Bær ikke korte bukser, sandaler, og gå ikke barfodet. Undgå at bære løstsiddende tøj eller frit hængende snører eller slips.
- Vær altid sikkerhedsbriller med sidebeskyttelse.
- Overstræk ikke. Sørg altid for at have godt fodfæste, især på skrånninger. Hold et godt fodfæste og balance. Gå, løb aldrig.
- Kør produktet på tværs af skrånninger, aldrig op og ned. Udvis stor forsigtighed når græsslåmaskinen vendes på bakker.
- Undgå at bruge produktet nær skrænter, grøfter, meget stejle skånninger eller diger. Dårligt fodfæste kan føre til tab af balance og faldulykker.

ARBEJDSOMGIVELSER

- Brug aldrig maskinen, når der er personer, især børn, eller dyr i nærheden.
- Genstande, der rammes af mosfjernereren, kan forårsage alvorlige skader på personer. Inspicér omhyggeligt det område, hvor maskinen skal anvendes, og fjern alle sten, pinde, metaldele, ledninger, ben, legetøj eller andre fremmedlegemer. Husk på, at tråd eller snor kan blive filtret ind i klippeudstyret.
- Brug produktet i dagslys eller god kunstig belysning.
- Brug ikke maskinen i eksplosive omgivelser som fx i nærheden af brandbar væske, gas eller støv. Værktøjet kan udløse gnister, som kan antænde støvet eller dampene.
- Brug ikke maskinen på fugtige, våde steder eller i regnvej.
- Maskinen må ikke anvendes på en stenlagt eller grusoverflade, hvor udslyngt materiale kan forårsage personskader.
- Brug kun produktet på en plan overflade ved tohåndsbetjening med føreren bag håndtaget.
- Undgå at bruge mosfjernereren i dårligt vejr, især når der er risiko for lynnedslag.
- Husk, at brugeren selv er ansvarlig for ulykker eller farer, som andre personer bliver udsat for.
- Tragiske yheld kan forekomme hvis brugeren ikke er klar over tilstedeværelsen af børn. Tag det aldrig for givet, at børn bliver stående det sted du sidst så dem.
- Hold børn fra arbejdsområdet og hold dem under opsyn af en ansvarlig voksen, der ikke selv anvender plæneklipperen. Vær opmærksom, og sluk for produktet, hvis børn bevæger sig ind på arbejdsområdet.
- Vær ekstra forsigtig, når du nærmer dig blinde hjørner, buske, træer og andre ting, herunder overhængende buske, der kan blokere dit udsyn.

BRUG OG PLEJE AF BATTERIVÆRKTØJ

- Læs, forstå og følg altid de sikkerhedsinstrukser, der fulgte med batteri og oplader. Manglende overholdelse kan resultere i elektrisk stød, brand eller andre farlige situationer. Opbevar alle brugsanvisninger samlet på et sikkert sted for fremtidig brug.
- Batteridrevne produkter skal ikke nødvendigvis forbindes til en stikkontakt; de er således altid klar



til brug. Fjern afbrydernøglen, når du ikke bruger produktet.

- Inden man foretager justeringer, rengøring eller fjerner materiale fra produktet, skal batteriet udtages.
- Kontrollér, at sikkerhedsnøglen er fjernet, inden batteriet sættes.
- Opladning af batteriet må kun ske med den af producenten foreskrevne oplader. Brug af en oplader med et ukompatibelt batteri kan medføre brandfare. Brug kun batteriet sammen med den foreskrevne oplader.
- Brug kun det batteri, der specifikt er beregnet til maskinen. Brug af andre batterier kan medføre fare for brand, elektrisk stød eller personskader.
- Når batteriet ikke bruges, må det ikke opbevares sammen med metalgenstande som fx papirclips, mønter, nøgler, søm, skruer eller andre metalgenstande, som kan skabe forbindelse mellem batteriets poler. Hvis batteriets poler kortsluttes, kan de forårsage gnister, forbrændinger, brand eller eksplosion.
- Batteriprodukter eller de tilhørende batterier må ikke anbringes nær ild eller varme. Herved øges faren for eksplosion og evt. personskader.
- Batteriet må ikke åbnes eller mishandles. Udløbende batterisyre er korrosiv og kan forårsage skader på øjne og hud. Den kan være toksisk ved indtagelse.
- Beskyt batteriet mod fugt og vand. Produktet må ikke oplades i fugtige eller våde omgivelser. Overholdelse af denne regel vil reducere risikoen for elektrisk stød.
- I tilfælde af skade og forkert brug af batteriet kan der udledes dampe. Sørg for frisk luft, og kontakt en læge, hvis der konstateres gener. Dampen kan irritere åndedrætssystemet.
- Batteripakken må ikke blive siddende i køretøjet under varme eller kolde forhold.
- Batteriet må ikke afbrændes.
- Hvis batteriet misbruges, kan der sprøjte væske ud af det; undgå kontakt med batterivæsken. Ved kontakt med batterivæsken skylles der med vand. Hvis der kommer væske i øjnene, søges desuden læge. Udsprøjtet batterivæske kan forårsage irritation eller forbrændinger.

SIKKERHEDSADVARSLER FOR MOSFJERNER OG PLÆNELUFTER

- Tænderne på produktet er skarpe. Vær forsigtig, og benyt kraftige handsker, når du monterer, udskifter, rengør eller kontrollerer boltsikkerheden.
- Kontroller, at alle skruer, møtrikker, bolte og andre fastgørelser er anbragt forsvarligt, og alle afskærmninger er på plads. Udskift beskadigede eller ulæselige mærkater.
- Udskift slidte eller beskadigede dele, inden produktet tages i brug.
- Installer opsamlere, inden du anvender mosfjerner. Tøm opsamlere, når den er fuld, og geninstaller før du genoptager brugen.
- Produktet skal startes med brugeren placeret bag styrene i operatørens sikkerhedszone. Produktet må

aldrig startes, hvis:

- alle fire hjul ikke hviler på jorden
- udkastet er åbent og ikke beskyttet af opsamlere og afskærmningen til udkasterafskærmningen
- Produktet må aldrig benyttes, hvis Tænd/Sluk-kontakten på styret ikke formår at starte og stoppe produktet korrekt.
- Lås aldrig afbryderen i tændt position. Dette er meget farligt.
- Undlad at tvinge produktet. Produktet klarer opgaven bedre og sikrere med den hastighed, det er beregnet til.
- Stop tænderne, når du krydser grusoverflader.
- Vær yderst forsigtig, når produktet vendes eller trækkes hen mod dig.
- Stop tænderne, hvis produktet skal vippe under transport, når man krydser andre overflader end græs, og når man transporterer produktet til og fra arbejdsområdet.
- Brug aldrig produktet med defekte afskærmninger eller uden sikkerhedsanordninger såsom deflektorer og/eller opsamlere på plads.
- Vip ikke produktet, når du tænder for motoren, medmindre maskinen skal vippe for at starte. Hvis det er absolut nødvendigt, kan du kun løfte den del, der er væk fra operatøren. Sørg altid for, at have begge hænder i arbejdsstilling, før maskinen sættes tilbage på jorden.
- Tænd forsigtigt for produktet i henhold til anvisningerne, og hold hænder og fødder væk fra tænderne. Anbring aldrig hænder eller fødder i nærheden af eller under roterende dele. Hold også altid væk fra udtømningsområdet.
- Løft eller bær aldrig produktet med kørende motor.
- Sluk produktet, og kobl det fra strømforsyningen. Kontrollér, at alle bevægelige dele er standset fuldstændigt:
 - når man efterlader produktet uden opsyn (herunder ved bortskaffelse af græsafklip).
 - før du fjerner blokerede genstande eller renser græsudkastet
 - inden kontrol, rengøring eller arbejde på produktet
 - efter at man har ramt et fremmedlegeme; inspicér udstyret for skader, og foretag de nødvendige reparationer inden genstart og benyttelse af maskinen.
- Hvis produktet begynder at vibrere unormalt meget, skal du straks kontrollere:
 - inspicér for skader
 - udskift eller reparér alle beskadigede dele
 - kontrollér og efterspænd evt. løse dele
- Undgå huller, riller, buler, sten eller lignende. Ujævnt terræn kan føre til tab af balance og faldulykker.
- Slip håndtaget øjeblikkeligt og hold dig væk fra produktet, hvis:
 - produktet brænder
 - afskærmningen og/eller huset er ødelagt
 - der opstår unormale lyde
 - alle ulykker eller sammenbrud finder sted

EN
FR
DE
ES
IT
NL
PT
DA
SV
FI
NO
RU
PL
CS
HU
RO
LV
LT
ET
HR
SL
SK
BG
UK
TR



- Sørg altid for, at motorstyrekablet aldrig sætter sig fast, klemmes eller beskadiges på anden måde under montering eller nedklapning af håndtaget.

ADVARSEL

Sørg for, at tænderne er helt stoppet, før du fjerner eller installerer opsamleren.

ADVARSEL

Berør ikke bevægelige, farlige dele, før produktet er blevet afbrudt fra strømforsyningen og de bevægelige, farlige dele er stoppet fuldstændigt.

YDERLIGERE SIKKERHEDSADVARSLER OM BATTERI

ADVARSEL

For at undgå risiko for brand, kvæstelser eller beskadigelse af produktet forårsaget af kortslutning må værktøjet, batteripakken eller opladeren ikke nedsænkes i vand. Sørg ligeledes for, at der ikke trænger væske ind i enhederne og batterierne. Korroderende eller ledende væsker, f.eks. saltvand, bestemte kemikalier, blegestoffer eller produkter, som indeholder blegemidler, kan forårsage kortslutning.

SIKRINGSANORDNING

Produktet har en overbelastningsbeskyttelse. Når der registreres en overbelastning, vil produktet automatisk slukke. Hvis overbelastningssikringen aktiveres, skal motoren have lov til at køle af i 5 til 10 minutter.

Sluk produktet, og kobl det fra strømforsyningen. Brug kraftige handsker, når du rører ved tænderne, da de er meget skarpe. Sørg for, at tænderne kan rotere frit rundt og ikke sidder fast eller er stramme.

Når motoren er kølet af, skal stikket tilsluttes til strømforsyningen, hvorefter der tændes for produktet. Tryk først på Start-knappen og dernæst på Tænd/Sluk-knappen for at starte produktet. Hvis produktet stadig ikke vil starte, så få det serviceeret udelukkende af en autoriseret serviceværksted.

TIPS TIL GENERAL ANVENDELSE AF MOSFJERNEREN

- Juster skæredybden efter behov for din græsplæne og længden på græsset.
- Klip din græsplæne og anvend mosdræber en uge før du planlægger mosfjernelse, hvis din græsplæne har et problem med mos.
- Vand din græsplæne et par dage inden mosfjernelse for at sikre dig, at din græsplæne er fugtig, men ikke for våd.

TRANSPORT OG OPBEVARING

- Afrens alle fremmedlegemer fra produktet. Opbevar den på et køligt, tørt og godt ventileret sted utilgængeligt for børn. Opbevar motorsaven på afstand af ætsende midler som f.eks. havekemikalier og optøningssalt. Må ikke opbevares udenørs.
- Til transport skal man sikre produktet, så den ikke kan bevæge sig eller vælte; dette for at forebygge personskader eller skader på produktet.

ADVARSEL

Vær meget forsigtig, når du løfter eller vipper maskinen i forbindelse med vedligeholdelse, rengøring, opbevaring eller transport. Hold alle kropsele på afstand af tænderne, mens den er blottede.

TRANSPORT AF LITHIUM-BATTERIER

Batterier skal transporteres i henhold til lokale og nationale forskrifter og love.

Når batterier skal transporteres af tredjepart, skal alle specielle krav til emballering og mærkning overholdes. Man skal sikre sig, at ingen batterier under transporten kan komme i kontakt med andre batterier eller ledende materialer ved at beskytte blottede konnektorer med isolerende, ikke-ledende hætter eller tape. Undlad at transportere batterier med revner eller utætheder. Rådfør dig desuden med speditøren.

VEDLIGEHOLDELSE

ADVARSEL

Brug kun originale reservedele, ekstraudstyr og tilbehør fra producenten. I modsat fald er der fare for personskader, dårlig maskinydelse og annullering af garantien.

ADVARSEL

Vedligeholdelse kræver stor omhyggelighed og viden og bør kun udføres af en kvalificeret tekniker. Lad kun et autoriseret serviceværksted servicere produktet. Brug kun originale reservedele fra maskinproducenten i forbindelse med servicearbejde.

- Når produktet stoppes til servicering, eftersyn eller opbevaring eller skift af tilbehør, skal du slukke for strømkilden, afbryde forbindelsen til strømforsyningen og sørge for, at alle bevægelige dele er stoppet. Lad maskinen køle af, inden der foretages inspektioner, justeringer, mv. Vedligehold produktet omhyggeligt, og hold det rent.
- Tjek ofte opsamleren for slid, huller eller svagheder.
- Du kan lave justeringer og reparationer beskrevet i denne brugervejledning. For andre reparationer eller råd skal man søge assistance på et autoriseret servicecenter.



- Af sikkerhedshensyn skal slidte eller beskadigede dele udskiftes. Brug kun originale reservedele og tilbehør.
- Produktet skal rengøres med en blød klud efter hver brug. Enhver del, som bliver beskadiget, skal repareres korrekt eller udskiftes hos et autoriseret servicecenter.
- Tjek ofte alle møtrikker, bolte og skruer om de sidder godt fast, og sørg for at produktet fungerer ordentligt.
- Vær forsigtig under justering af produktet for at forhindre, at fingrene fanges mellem de bevægelige tænder og ubevægelige dele af produktet.
- Ved servicering af tænderne vær opmærksom på, at selv om der er slukket for strømmen, kan tænderne stadig bevæge sig.
- Tænderne på produktet er skarpe. Vær forsigtig, og benyt kraftige handsker, når du monterer, udskifter, rengør eller kontrollerer boltsikkerheden.

RYDNING AF BLOKERINGER

- Sluk produktet, og kobl det fra strømforsyningen.
- Benyt altid kraftige beskyttelseshandsker, når du kontrollerer og afhjælper en tilstopning.
- Tænderne er skarpe, og selve tilstopningen kan være en skarp genstand.
- Fjern samleren, kontrollér og fjern forsigtigt genstande, som sidder fast.
- Kontrollér, om græsudkasterafskærmningen er tilstoppet, og fjern forsigtigt tilstopningen.
- Vend produktet om på siden, kontrollér produktets undersiden og området rundt om tænderne. Fjern forsigtigt alle tilstopninger. Husk, at tænderne kan bevæge sig, når tilstopningen fjernes.

UUNDGÅELIGE RISICI

Selv om produktet anvendes som foreskrevet, er det stadig umuligt at eliminere visse uundgåelige risikofaktorer fuldstændigt. Følgende risici kan opstå under brug, og operatøren bør være særligt opmærksom for at undgå følgende:

- Personskader forårsaget af vibration
 - Brug altid det korrekte værktøj til arbejdsopgaven. Brug de dertil beregnede håndtag. Begræns arbejdstid og udsættelse.
- Personskader forårsaget af støj
 - Eksponering for støj kan medføre høreskader. Benyt høreværn, og begræns eksponering.
- Personskade ved kontakt med spidser
- personskade forårsaget af udslyngede genstande

RISIKOREDUKTION

Der er rapporteret om, at vibrationer fra håndholdte værktøjer kan være medvirkende til en lidelse kaldet Raynauds syndrom hos visse personer. Symptomerne herpå kan være prikken, følelsesløshed og blegning af fingrene, der normalt viser sig ved kuldepåvirkning. Faktorer som arvelighed, udsættelse for kulde og fugt, kost, rygning og arbejdsvaner menes alle at medvirke til udviklingen af disse symptomer. Der findes forholdsregler, som operatøren kan træffe for at begrænse påvirkningen

fra vibrationer:

- Hold kroppen varm i koldt vejr. Brug handsker, så hænder og vriste holdes varme under arbejdet. Der er rapporteret om, at koldt vejr er en væsentlig faktor til Raynauds syndrom.
- Motionér efter hver arbejdsperiode for at øge blodcirkulationen.
- Hold hyppige arbejdspauser. Begræns eksponeringen for vibrationer pr. dag.

Hvis du mærker nogen af symptomerne på denne tilstand, skal du straks ophøre med arbejdet og søge læge.

⚠ ADVARSEL

Længere tids brug af et værktøj kan forårsage - eller forværre - personskader. Når man bruger et værktøj i længere perioder ad gangen, skal man huske at holde hyppige pauser.

KEND PRODUKTET

Se side 134.

1. Kontaktknap
2. Styrehåndtag
3. Udløser
4. Øvre håndtagstang
5. Knapper
6. Sekskantnøgle
7. Tænder
8. Startnøgle
9. Baghjul
10. Forhjul
11. Batteri
12. Oplader
13. Plæneluftermodul
14. Højdeindstillingsstang
15. Batteridæksel
16. Bagdør
17. Opsamler
18. Nedre håndtag
19. Ledninger

SYMBOLER PÅ PRODUKTET



Sikkerheds Varsel



Læs venligst vejledningen grundigt igennem før maskinen tages i brug.



Bær høreværn



Benyt øjenværn



Må ikke udsættes for regn eller bruges på fugtige steder.





Pas på udslyngede eller flyvende objekter. Sørg for, at tilskuere (især børn og dyr) har mindst 15 m afstand fra arbejdsområdet.



Vær forsigtig, skarpe tænder. Tænderne fortsætter med at rotere efter slukning af motor. Fjern isoleringsnøglen inden vedligeholdelse.



Kør ikke på hældninger større end 15°. Kør produktet på tværs af skråninger, aldrig op og ned.



Arbejdsbredde: 35 cm



Elektriske affaldsprodukter bør ikke afskaffes sammen med husholdningsaffald. Genbrug venligst hvor faciliteterne tillader dette. Tjek med din lokale kommune eller forhandler for genbrugsråd.



Dette redskab overholder alle lovkrav og standarder i det EU-land, hvor det er købt.



EurAsian overensstemmelsesmærke



Ukrainsk overensstemmelsesmærke



Det garanterede lydtrykniveau vist på denne mærkat er 95 dB.

SYMBOLER I DENNE BRUGSANVISNING



Dele eller tilbehør, der sælges separat



Bemærk



Advarsel

De følgende ikoner og betydninger er beregnet til at forklare risikoen involveret i at anvende denne enhed.

FARE

Indikerer en meget farlig situation, som hvis ikke undgås, kan føre til alvorlige skader og i værste fald døden.

Säkerhet, prestanda och pålitlighet har fått högsta prioritet vid utformningen av din sladdlösa hackare eller luftare.

ANVÄNDNINGSMÅL

Den sladdlösa hackaren eller luftaren är endast avsedd för utomhusbruk. Alla fyra hjulen ska vidröra marken vid hackning eller luftning.

Produkten är utrustad med hackande tändar som är avsedda för hackning av gräsmattor för hushållsbruk.

Produkten är utrustad med ett tillbehör för luftare som är avsett att skapa hål i jorden för att minska jordkomprimering. Produkten är en gräshackare som styrs genom att man går bakom den och är avsedd att skjutas fram för hand. Produkten skall inte dras eller användas för att åka på. Den bör inte användas för att hacka något annat än gräsmattor för hushållsbruk.

Får ej användas för annat ändamål.

ALLMÄNNA SÄKERHETSFORESKRIFTER FÖR ELVERKTYG

⚠ VARNING

När man använder produkten måste säkerhetsföreskrifterna följas. För din egen, och andra närvarandes säkerhet, läs alltid dessa instruktioner innan du använder produkten. Förvara instruktionerna på ett säkert ställe för användning vid senare tillfälle.

⚠ VARNING

Använd produkten endast med de batterier som specificeras i denna manual. Vid användning av batteridrivna verktyg ska grundläggande säkerhetsanvisningar alltid följas för att minska risken för brand, läckande batterier och personskador.

PERSONLIG SÄKERHET

- Produkten kan kapa av händer och fötter och slunga ut föremål. Att inte följa alla säkerhetsinstruktioner kan resultera i allvarlig skada eller dödsfall.
- Bekanta dig med reglagen och rätt användning av produkten.
- Se till att barn eller personer med nedsatt fysisk eller psykisk förmåga, eller personer som inte är bekanta med dessa instruktioner, aldrig använder, rengör eller utför underhåll på produkten. Lokala regler kan åldersbegränsa användningen av gräsklipparen. Barn ska alltid övervakas så att de inte leker med produkten.
- Var på din vakt, håll reda på vad du gör och använd sunt förnuft vid drift av enheten. Använd inte den här enheten när du är trött, sjuk eller under påverkan av alkohol, droger eller mediciner. Ett ögonblicks uppmärksamhet vid användningen av maskinen kan leda till allvarliga personskador.
- Använd tjocka långbyxor, långa armar och stadiga halksäkra skor. Bär inte korta byxor eller sandaler, gå inte heller barfota. Undvik att bära kläder som sitter löst eller som har hängande bälten och slips.

- Bär alltid säkerhetsglasögon med sidoglas.
- Sträck dig inte. Se till att du har ordentligt fotfäste, speciellt i lutningar. Bibehåll ett bra fotfäste och bra balans. Gå. Spring aldrig.
- Använd produkten tvärs lutningar, aldrig upp och ner. Var extremt försiktig när du byter riktning i en sluttning.
- Använd inte produkten vid höjdskillnader, diken, alltför branta lutningar eller kullar. Dåligt fotfäste kan resultera i halkningsolyckor.

ARBETSMILJÖ

- Använd aldrig maskinen i närheten av människor, speciellt barn, eller husdjur.
- Föremål som träffas av hackarens tändar kan orsaka allvarliga personskador. Inspektera noggrant arbetsområdet där maskinen ska användas och ta bort alla stenar, pinnar, metallföremål, strängar, ben, leksaker eller andra främmande föremål. Observera, trådar eller kablar kan trassla in sig i skärkmekanismen.
- Använd produkten på dagtid eller med tillräcklig belysning.
- Använd inte maskinen i explosiva atmosfärer, till exempel i närheten av brännbara vätskor, brännbara gaser eller damm. Verktyget kan skapa gnistor som kan antända damm och ångor.
- Använd inte maskinen om gräset är blött eller om det regnar.
- Kör inte maskinen på asfalterad eller grusad mark där utskjutet material skulle kunna orsaka skada.
- Använd endast produkten på en jämn yta genom att använda båda händerna under drift med operatören bakom styret.
- Undvik att använda hackaren vid dåligt väder särskilt när det finns risk för blixtnedslag.
- Kom ihåg att användaren är ansvarig för olyckor och faror som uppstår för andra människor och deras egendom.
- Tragiska olyckor kan ske om användaren inte är uppmärksam på om barn är i närheten. Anta aldrig att barn kommer att vara kvar där du senast såg dem.
- Håll barn borta från arbetsområdet och under uppsikt av en ansvarig vuxen annan än operatören, var uppmärksam och stäng av produkten om ett barn kommer in i området.
- Var extra försiktig när du närmar dig hörn utan fri sikt, buskar, träd eller andra föremål, inklusive överhängande buskar som kan blockera ditt synfält.

ANVÄNDNING OCH UNDERHÅLL AV BATTERIET

- Se till att läsa, vara införstådd med och alltid följa säkerhetsinstruktionerna som medföljde batteri och laddare. Om inte så kan det leda till elektrisk stöt, eldsvåda eller annan farlig situation. Se till att samtliga instruktioner förvaras tillsammans för framtida referens.
- Batteridrivna enheter behöver inte vara inkopplade till ett eluttag för att fungera; de är därför alltid redo att användas. Avlägsna isoleringsnyckeln när du inte använder produkten.
- Plocka bort batteripaketet innan du gör några

EN
FR
DE
ES
IT
NL
PT
DA
SV

FI
NO
RU
PL
CS
HU
RO
LV
LT
ET
HR
SL
SK
BG
UK
TR



justeringar, rengör eller tar bort material från enheten.

- Se till att tändningsnyckeln är utdragen innan du sätter i batteripaketet.
- Batteripaketet får endast laddas med den batteriladdare som tillverkaren rekommenderar. Att använda en laddare med ett icke kompatibelt batteripaket utgör en brandrisk. Använd endast batteripaketet med den laddare som listas här.
- Använd endast batteripaketet som är avsedda för just denna produkt. Om du använder några andra batteripaket så kan det leda till brand, elektriska stötar eller personsador.
- När batteripaketet inte används ska det hållas bort från metallföremål som gem, mynt, nycklar, spikar, skruvar och andra små metallföremål som kan kortsluta batteriets kontakter. Kortslutning av batteriets poler kan orsaka gnistor, lågor, eldsvåda eller explosion.
- Placera inte batteriprodukter eller deras batterier i närheten av eld eller värme. Detta ökar risken för explosion och potentiell personskada.
- Försök inte öppna batteripaketet och utsätt det inte för våld. Elektrolyt som läcker ut är korrosivt och kan orsaka ögon- och hudskador. Det kan vara giftigt om det sväljs.
- Skydda batteripaketet mot fukt och vatten. Ladda inte enheten på fuktiga eller våta platser. Följ den här regeln för att minska risken för elstötar.
- Om batteriet är skadat eller används på fel sätt kan ånga komma ut från batteriet. Om besvär uppstår, se till att personen ifråga får frisk luft och uppsök sedan en läkare. Ångorna kan irritera andningssystemet.
- Lämna inte batteriet i något fordon i varmt eller kallt väder.
- Bränn inte batteriet.
- Vätska kan läcka ut från batteripaketet vid felaktig användning; undvik kontakt med vätskan. Spola med vatten om du kommer i kontakt med den. Uppsök omedelbart läkarhjälp om du får vätska i ögonen. Den kan orsaka irritation och brännskador.

SÄKERHETSVARNINGAR FÖR HACKARE OCH LUFTARE

- Produktens tändar är vassa. Var extremt försiktig och använd grova arbetshandskar vid montering, byte eller kontroll av muttrar.
- Säkerställ att alla skruvar, muttrar, bultar och andra fästnanordningar sitter fast ordentligt samt att skyddet och skärmarna sitter på plats. Byt ut skadade eller oläsliga skyltar.
- Ersätt slitna och skadade delar innan produkten används.
- Installera skräppupsamlaren före du hackar. Töm skräppupsamlaren när den är full och återinstallera den före du återupptar drift.
- Produkten måste startas med operatören på plats bakom styret, i operatörens säkerhetszon. Starta aldrig produkten om:
 - alla fyra hjulen inte är på marken
- skräputkastet är exponerat och skyddas inte av skräppupsamlaren och skräputkastets lock.
- Kör aldrig produkten om inte på/av-kontakten startar resp. stoppar produkten ordentligt.
- Lås aldrig PÅ/AV-strömbrytaren i läget PÅ, det är extremt farligt.
- Tvinga inte produkten. Verktyget fungerar bäst och mest effektivt om du jobbar i den takt som det är avsett för.
- Stanna tändarna när du korsar grusytor.
- Var extremt försiktig vid backning eller då maskinen dras i riktning mot dig.
- Stanna tändarna om produkten behöver lyftas för transport när du korsar andra ytor än gräs och när du transporterar produkten till och från arbetsområdet.
- Använd aldrig produkten med defekta skydd eller utan säkerhetsanordningar på plats, tex. deflektorer och/eller skräppupsamlare.
- Luta inte produkten när du startar motorn, förutom när maskinen måste lutas för att starta. Om absolut nödvändigt kan du lyfta endast den del som befinner sig bort från operatören. Säkerställ alltid att båda händerna befinner sig i driftläge före du återför maskinen till marken.
- Starta produkten försiktigt enligt anvisningarna och håll händer och fötter borta från tändarna. Placera inte händerna eller fötterna nära eller under roterande delar. Håll alltid undan från utkastöppningen.
- Lyft aldrig upp och bär produkten när motorn är i gång.
- Stäng av produkten och koppla bort den från elnätet. Se till att samtliga rörliga delar har stannat helt:
 - när du lämnar produkten utan överinseende (inklusive bortskaffande av gräsklipp).
 - innan du rensar en blockering eller tar bort gräs som fastnat i utkastet
 - före kontroll av, rengöring av eller arbete med produkten
 - efter att träffat främmande föremål (kontrollera produkten så den inte skadats, reparera vid behov före omstart och före användning av produkten).
- Om produkten börjar vibrera onormalt, kontrollera omedelbart för att:
 - inspektera för ev. skador
 - byt ut eller reparera alla skadade delar
 - kontrollera och sätt fast ev. lösa delar
- Undvik hål, hjulspår, gupp, stenar och andra dolda föremål. Ojämn terräng kan orsaka halkolyckor.
- Släpp handtaget omedelbart och håll dig borta från produkten om:
 - produkten tar fyr
 - skyddet och/eller höljert är sprucket
 - ett onormalt ljud uppstår
 - om en olycka eller ett motorstopp sker
- Kontrollera att motorns kontrollkabel inte är trasad, klämd eller på annat sätt skadad under montering eller då handtaget viks in.





⚠ VARNING

Säkerställ att tänderna har stannat helt före du tar bort eller installerar skräppupsamlaren.

⚠ VARNING

Vidrör inte farliga rörliga delar innan produkten har kopplats bort från strömförsörjningen/batteripaketet och de farliga rörliga delarna har stannat helt och hållet.

YTTERLIGARE SÄKERHETSVARNINGAR FÖR BATTERIER

⚠ VARNING

För att undvika den fara för brand, personskador eller produktskador som orsakas av en kortslutning, doppa inte ner verktyget, batteripaketet eller laddaren i vätskor och se till att ingen vätska kan tränga in i apparaterna eller batterierna. Korroderande eller ledande vätskor, som saltvatten, vissa kemikalier, blekningsmedel eller produkter som innehåller blekmedel, kan orsaka en kortslutning.

ENHETENS ÖVERLASTSKYDD

Produkten har ett överlastskydd. När överlast detekteras stängs produkten automatiskt av. Om överlastskyddet är aktiverat, måste motorn svalna i ca 5-10 minuter.

Stäng av produkten och koppla bort den från elnätet. Tänderna är vassa, bär tåliga arbetshandskar före du vidrör dem. Säkerställ att tänderna kan rotera fritt och inte sitter fast eller för hårt.

Efter att motorn har svalnat, anslut kontakten till strömförsörjningen och slå på produkten. Tryck på Start och sedan på På/Av-knappen för att starta produkten. Om produkten inte startar, får den endast repareras på ett auktoriserat servicecenter.

ALLMÄNNA HACKNINGSTIPS

- Justera skärdjupet efter gräsmattans behov och gräsets längd.
- Klipp gräsmattan och tillämpa mossdödande medel en vecka före planerad hackning om gräsmattan har problem med mossor.
- Vattna gräsmattan några dagar före hackning för att säkerställa att gräsmattan är fuktig men inte alltför våt.

TRANSPORT OCH FÖRVARING

- Ta bort allt främmande material från produkten. Förvara den svalt och välventilerat på en plats där barn inte kan komma åt den. Förvara på avstånd från frätande medel, t.ex. trädgårdskemikalier och vägsalt. Förvara den inte utomhus.
- Vid transport ska produkten säkras mot rörelser eller fallande för att förhindra personskador eller att produkten skadas.

⚠ VARNING

Var extra försiktig då maskinen lyfts eller lutas för underhåll, rengöring, förvaring eller transport. Tänderna är vassa, håll alla kroppsdelar borta från tänderna när de är exponerade.

TRANSPORTERA LITIUMBATTERIER

Transportera batterier enligt lokala och nationella riktlinjer och föreskrifter.

Följ alla särskilda krav på förpackning och etikettering vid transport av batterier som utförs av tredje part. Se till att inga batterier kan komma i kontakt med andra batterier eller ledande material under transporten genom att skydda exponerade kontaktytor med isolerande, icke ledande överdrag eller tejp. Transportera aldrig batterier som har spruckit eller som läcker. Kontrollera med det transporterande företaget för vidare rådgivning.

UNDERHÅLL

⚠ VARNING

Använd enbart reservdelar och tillbehör från tillverkaren. Om inte kan det eventuellt orsaka skador, sämre resultat och kan upphäva garantin.

⚠ VARNING

Att serva produkten kräver extrem försiktighet och kunskap och bör endast utföras av en kvalificerad servicetekniker. Produkten får endast repareras på ett auktoriserat servicecenter. Under servicearbete ska enbart tillverkarens originaldelar användas.

- När produkten är stannad för underhåll, inspektion, förvaring eller vid utbyte av ett tillbehör, stäng av strömkällan, koppla bort produkten från strömförsörjningen och säkerställ att alla rörliga delar har stannat helt. Låt maskinen svalna före inspektioner, justeringar, etc. Underhåll produkten med försiktighet och håll den ren.
- Kontrollera skräppupsamlaren med frekventa mellanrum för slitage, hål eller försämring.
- Du kan göra de justeringar och reparationer som beskrivs i den här manualen. För andra reparationer eller för råd ska du alltid vända till auktoriserat servicecenter.
- Byt ut slitna eller skadade delar för bästa säkerhet. Använd enbart godkända ersättningsdelar och tillbehör.
- Efter rengöring ska maskinen alltid rengöras med en mjuk torr trasa. Skadade delar skall repareras ordentligt eller bytas ut av en auktoriserad servicefirma.
- För att vara säkra på att produkten är säkra att använda, kontrollera alla muttrar, bultar och skruvar regelbundet för att säkerställa att de är åtdragna ordentligt.
- Var försiktig vid justering av produkten för att förhindra att fingrar fastnar mellan rörliga tänder och produktens fixerade delar.

- EN
- FR
- DE
- ES
- IT
- NL
- PT
- DA
- SV**
- FI
- NO
- RU
- PL
- CS
- HU
- RO
- LV
- LT
- ET
- HR
- SL
- SK
- BG
- UK
- TR



- Vid underhåll av tänderna, var medveten om att tänderna fortfarande kan röra sig även om strömkällan är avslagen.
- Produktens tänder är vassa. Var extremt försiktig och använd grova arbetshandskar vid montering, byte eller kontroll av muttrar.

TA BORT BLOCKERINGAR

- Stäng av produkten och koppla bort den från elnätet.
- Använd alltid grova arbetshandskar vid kontroll av och rensning av blockering.
- Tänderna är vassa och själva blockeringen kan vara ett vasst föremål.
- Avlägsna skräpuppsamlaren, kontrollera och ta försiktigt bort blockeringar.
- Kontrollera gräsutkastet efter blockeringar och rengör försiktigt.
- Ställ produkten på dess sida, kontrollera undersidan och området runt tänderna. Ta försiktigt bort eventuella blockeringar som upptäcks. Kom ihåg att tänderna kan röra sig under rengöring.

KVARSTÄENDE RISKER

Även om produkten används enligt instruktionerna går det inte att eliminera alla eventuella kvarstående riskfaktorer. Följande risker kan uppstå vid användning och operatören ska vara extra uppmärksam för att undvika följande:

- Skada orsakad av vibration
 - Använd alltid rätt verktyg för jobbet. Använd avsedda handtag. Begränsa arbetstid och exponering.
- Skador orsakade av damm
 - Exponering för buller kan orsaka hörselskador. Använd hörselskydd och begränsa exponeringen.
- skada vid kontakt med spetsar
- personskada orsakad av utkastade föremål

RISKMINSKNING

Det finns rapporter om att vibrationer från handhållna verktyg kan bidra till ett tillstånd som kallas Raynauds syndrom för vissa personer. Symptomen brukar vara att det sticker i fingrarna och att de domnar bort; fingrarna kan också bli vita, särskilt vid kyla. Årftliga faktorer, kyla och fukt, diet, rökning och arbetsrutiner tros alla bidra till att orsaka dessa symptom. Det finns förebyggande åtgärder som du kan vidta för att försöka minska vibrationernas påverkan:

- Håll dig varm när du arbetar i kallt väder. Använd handskar för att hålla händer och handleder varma under användning. Kyla har rapporterats som en viktig del i utvecklandet av Raynauds syndrom.
- Träna och rör på dig efter varje användningstillfälle för att öka blodcirkulationen.
- Ta ofta pauser från arbetet. Begränsa tiden du utsätter dig varje dag.

Upphör omedelbart om du upplever några av dessa symptom och uppsök din läkare.

⚠ VARNING

Risk för person- eller slitageskador vid användning av verktyget under lång tid. Om verktyget används under längre perioder krävs regelbundna pauser.

LÄR KÄNNA PRODUKTEN

Se sida 134.

1. Omkopplingsknapp
2. Handtagsgrepp
3. Reglage
4. Övre handtagsskaft
5. Vred
6. Insexnyckel
7. Tänder
8. Omkopplingsnyckel
9. Bakhjul
10. Framhjul
11. Batteri
12. Batteriladdare
13. Tillbehör för luftare
14. Höjjusteringssspak
15. Batterihölje
16. Bakre lucka
17. Skräpuppsamlare
18. Montering för nedre handtag
19. Kablage

SYMBOLER PÅ PRODUKTEN



Säkerhetsvarning



Läs instruktionerna ordentligt innan start av maskinen.



Använd hörselskydd



Bär ögonskydd



Utsätt inte för regn eller våta omgivningar.



Se upp för kringkastade eller flygande föremål. Håll alla åskådare, särskilt barn och husdjur, på minst 15 meters avstånd från arbetsområdet.



Uppmärksamma de vassa tänderna. Tänderna fortsätter rotera efter att motorn har stängts av. Ta bort nyckeln till huvudströmbrytaren före underhåll.



Använd inte i sluttingar som är brantare än 15°. Använd produkten tvärs lutningar, aldrig upp och ner.



Arbetsbredd: 35 cm



Gamla elektroniska produkter ska inte kastas med hushållssoporna. Återvinn där sådana faciliteter finns. Kontrollera med din lokala myndighet eller säljaren för att få återvinningstips.



Uppfyller alla standarder i de EU-länder där produkten kan köpas.



EurAsian överensstämmelsesymbol



Ukrainskt märke för överensstämmelse



Den garanterade ljudnivån som visas på denna etikett är 95 dB.

SYMBOLER I MANUALEN



Delar och utrustning säljs separat



OBS



Varning

Följande signalord och betydelser är tänkta att förklara de olika risknivåerna som är associerade med denna produkt.

FARA

Indikerar en överhängande farlig situation som kan, om den inte undviks, resultera i dödsfall eller allvarlig skada.

VARNING

Indikerar en potentiellt farlig situation som kan, om den inte undviks, resultera i dödsfall eller allvarlig skada.

PÅMINNELSE

Indikerar en potentiellt farlig situation som kan, om den inte undviks, resultera i mindre eller medelstora skador.

PÅMINNELSE

Utan säkerhetssymbol
Visar på en situation som kan orsaka skada på egendom.



Turvallisuus, tehokkuus ja käyttövarmuus ovat akkukäyttöisen nurmikonelvyttimemme tai -ilmaajamme tärkeimpiä ominaisuuksia.

KÄYTTÖTARKOITUS

Akkukäyttöinen nurmikonelvytin tai -ilmaaja on tarkoitettu vain ulkokäyttöön. Nurmikkoa elvytettäessä tai ilmattaessa kaikkien neljän pyörän on oltava kosketuksissa maahan.

Elvytyspiikeillä varustettu laite on suunniteltu kotipihojen nurmikoiden elvyttämiseen.

Laitteeseen liitettävällä ilmaajalisävarusteella maaperään tehdään reikiä, jotka vähentävät maan tiivistymistä.

Laitte on kävellen ohjattava, käsin työnnettävä nurmikonelvytin. Konetta ei saa vetää, eikä sen päällä saa olla käytön aikana. Laitetta ei saa käyttää muuhun kuin kotipihojen nurmikoiden elvyttämiseen.

Älä käytä muihin tarkoituksiin.

SÄHKÖTYÖKALUJEN YLEISIÄ TURVALLISUUSVAROITUKSIA

VAROITUS

Noudata turvallisuussääntöjä tuotetta käyttäessäsi.

Oman ja sivullisten turvallisuuden vuoksi, lue nämä ohjeet ennen tuotteen käynnistämistä. Säilytä ohjeet tulevaa käyttöä varten.

VAROITUS

Käytä tuotetta vain tässä oppaassa mainittujen akkujen kanssa. Akkukäyttöistä laitetta käytettäessä on aina ryhdyttävä perusvarotoimiin tulipalon, akkuvuodon ja loukkaantumisen välttämiseksi.

KÄYTTÄJÄN TURVALLISUUS

- Laite on riittävän voimakas leikkaamaan raajoihin ja sinkoamaan esineitä. Turvaohjeiden laiminlyönti voi aiheuttaa vakavia ruumiinvammoja tai kuoleman.
- Tutustu ohjaimiin ja tuotteen asianmukaiseen käyttöön.
- Älä koskaan salli lasten tai ihmisten, joiden fyysiset tai henkiset kyvyt tai aistit ovat heikentyneet, tai näitä ohjeita tuntemattomien käyttää, puhdistaa tai huoltaa tuotetta. Paikalliset säädökset saattavat asettaa rajastuksia käyttäjän iälle. Lapsia on pidettävä asianmukaisesti silmällä, jotta he eivät pääse leikkimään tuotteella.
- Ole valpas, katso mitä teet ja käytä tervettä järkeä, kun käytät tuotetta. Älä käytä tätä laitetta väsyneenä, sairaana tai huumeiden, alkoholin tai lääkkeiden vaikutuksen alaisena. Tarkkaamattomuus laitetta käytettäessä saattaa johtaa vakavaan loukkaantumiseen.
- Käytä kestäviä pitkiä housuja, pitkähihaista yläosaa ja vankkoja luistamattomia jalkineita. Älä käytä sortseja ja sandaaleja tai kulje avojaloin. Älä käytä löysiä vaatteita tai vaatteita, joista riippuu nuoria tai siteitä.
- Käytä aina sivusuojilla varustettuja suojalaseja.

- Älä kurkota liian pitkälle. Seiso aina tukevasti, erityisesti rinteissä. Pidä vakaa tasapaino. Kävele, älä koskaan juokse.
- Käytä tuotetta rinteessä poikittain, ei ylös ja alas. Ole erityisen varovainen vaihtaessasi suuntaa rinteessä.
- Älä käytä tuotetta jyrkänteiden, ojen, hyvin jyrkkien rinteiden tai töyräiden lähellä. Jos saatta huonon jalansijan, voit liukastua, kaatua ja loukkaantua.

TYÖYMPÄRISTÖ

- Älä koskaan käytä laitetta, jos lähistöllä on ihmisiä, erityisesti lapsia, tai lemmikkejä.
- Muokkausterien sinkoamat esineet voivat aiheuttaa vakavia henkilövammoja. Tarkista huolella alue, jolla laitetta käytetään, ja poista kaikki kivet, tikut, metallikappaleet, johdot, luut, lelut ja muut vierasesineet. Muista, että siima tai lanka voi sotkeutua leikkuusaan.
- Käytä tuotetta ainoastaan päivänvalossa tai hyvässä keinovalossa.
- Älä käytä laitetta räjähdysalttiissa paikoissa, kuten helposti syttyvien nesteiden tai kaasujen tai pölyn läheisyydessä. Työkalu saattaa kipinöidä, mikä saattaa sytyttää pölyn tai höyryt.
- Älä käytä laitetta määrässä ruohossa tai sateessa.
- Älä käytä laitetta päällystetyllä tai sorapinnalla, jossa sinгонneet materiaalit voivat aiheuttaa loukkaantumisen.
- Käytä konetta ainoastaan tasaisella pinnalla ohjaustangon takaa molemmin käsin ohjaamalla.
- Vältä käyttämästä konetta huonolla säällä, erityisesti, jos on odotettavissa salamoitinta.
- Muista, että ruohonleikkurin käyttäjä on vastuussa vahingoista ja vaaroista, jotka hän aiheuttaa muille ihmisille ja heidän omaisuuksilleen.
- Traagisia onnettomuuksia voi sattua, jos käyttäjä ei huomioi lasten paikallaoloa. Älä koskaan oletta, että lapset ovat edelleen siellä, missä näit heidät viimeksi.
- Pidä lapset poissa työskentelyalueelta, ja vastuullisen aikuisen - joka on muu kuin koneen käyttäjä - valvovan silmän alla, ole valppaana ja katkaise koneesta virta, jos lapsi tulee alueelle.
- Noudata erityistä varovaisuutta lähellä sokeita kulmia, pensaita, puita ja muita kohteita, kuten riippuvia pensaita, jotka voivat estää näkyvyyttä.

AKKUKÄYTTÖISEN TYÖKALUN KÄYTTÖ JA HOITO

- Lue ja ymmärrä akun ja laturin mukana tulleet turvallisuusohjeet ja noudata niitä aina. Tämän laiminlyönti voi aiheuttaa sähköiskun, tulipalon tai muun vaaratilanteen. Pidä kaikki ohjeet yhdessä ja turvallisessa paikassa tulevaa käyttöä varten.
- Akkukäyttöisiä työkaluja ei tarvitse kytkeä pistorasiaan, joten ne ovat aina käyttövalmiita. Irrota virta-avain aina, kun et käytä tuotetta.
- Irrota akku ennen säätöjä, puhdistusta ja materiaalin irrottamista laitteesta.
- Varmista ennen akun asentamista, että virta-avain on irrotettu.





- Akun lataukseen saa käyttää ainoastaan valmistajan mainitsemaa laturia. Laturin käyttö yhteensopimattoman akun kanssa voi aiheuttaa tulipalon vaaran. Käytä ainoastaan ohjeissa mainittua akkulaturia.
- Käytä vain erityisesti laitteelle tarkoitettua akkua. Muiden akkujen käyttö voi johtaa tulipaloon, sähköiskuun tai loukkaantumiseen.
- Kun akkua ei käytetä, pidä se erillään metalliesineistä, kuten paperiliittimistä, kolikoista, avaimista, nauloista, ruuveista ja muista pienistä metalliesineistä, jotka voivat yhdistää akun navat. Akun napojen oikosulkeminen voi aiheuttaa kipinöintiä, palovammoja, tulipalon tai räjähdyksen.
- Älä aseta akkukäyttöisiä tuotteita tai niiden akkuja lähelle tulta tai lämmönlähdettä. Tämä lisäksi räjähdyksen ja loukkaantumisen vaaraa.
- Älä avaa tai vioita akkua. Vapautunut elektrolyytti on syövyttävää ja voi vioittaa silmiä tai ihoa. Se voi olla myrkyllistä nieltynä.
- Suojele akkua kosteudelta ja vedeltä. Älä lataa yksikköä kosteassa tai märässä ympäristössä. Tämän ohjeen noudattaminen pienentää sähköiskun vaaraa.
- Jos akku vioittuu tai sitä käytetään virheellisesti, siitä saattaa vapautua huuropu. Hakeudu tällöin raikkaaseen ilmaan ja oireiden tapauksessa lääkäriin. Huurut voivat ärsyttää hengitystiehyitä.
- Älä jätä akkua ajoneuvon kuumiin tai kylmiin oloihin.
- Älä syytä akkua tuleen.
- Jos akkua käsitellään väärin, siitä voi vuotaa nestettä; älä kosketa sitä. Jos kosketat sitä vahingossa, huuhtelee se vedellä. Jos nestettä pääsee silmiin, hakeudu lisäksi lääkärin hoitoon. Akusta vuotanut neste voi ärsyttää ihoa ja aiheuttaa palovammoja.

NURMIKONELVYTTIMEN JA -ILMAAJAN TURVAOHJEET

- Muokkausterät ovat teräviä. Ole varovainen ja käytä paksuja käsineitä asettaessasi pulttia paikoilleen ja asentaessasi tai puhdistaussasi sitä ja tarkistaessasi sen kireyttä.
- Varmista, että kaikki ruuvit, mutterit, pultit ja muut kiinnikkeet ovat tiukassa ja että suojuukset ja muut suojat ovat paikoillaan. Vaihda vioittuneet ja lukukelvottomat kyllit.
- Vaihda kuluneet ja vioittuneet osat ennen tuotteen käyttöä.
- Asenna roskienkeräin ennen muokkauksen aloittamista. Tyhjennä roskienkeräin sen täytyttyä, ja kiinnitä se takaisin paikalleen ennen työn jatkamista.
- Tuote on käynnistettävä käyttäjän ollessa kahvojen takana suoja-alueella. Älä koskaan käynnistä tuotetta, jos
 - kaikki neljä pyörää eivät ole maassa
 - roskienpoistokouru on avoin, eivätkä roskienkeräin tai roskienpoistokourun suojakansi suoja sitä.
- Älä koskaan käytä tuotetta, jos ohjaustangon virtakytkin ei käynnistä tai sammuta tuotetta asianmukaisesti.
- Älä koskaan lukitse käynnistys-/sammutuskytkintä Päällä-asentoon; se on erittäin vaarallista.

- Älä pakota tuotetta. Se hoitaa työt paremmin ja turvallisemmin sillä vauhdilla, jota varten se on suunniteltu.
- Pysäytä muokkausterät, kun ylität sorapintoja.
- Ole erittäin varovainen, kun peruutat tai vedät tuotetta itseäsi kohden.
- Pysäytä muokkausterät, jos konetta on kallistettava kuljetusta varten, kun ylität muita kuin ruohopintoja, ja kun kuljetat konetta työskentelyalueiden välillä.
- Älä koskaan käytä konetta, jos jokin suojuus on vahingoittunut tai jos jokin turvalaite, kuten ruohonohjain ja/tai roskienkeräin, ei ole paikallaan.
- Älä kallista konetta moottoria käynnistettäessä, paitsi jos se on kallistettava käynnistystä varten. Jos se on ehdottoman välttämätöntä, voit nostaa vain osaa, joka on kaukana käyttäjästä. Varmista aina, että molemmat kädet ovat käyttöasennossa, ennen kuin lasket koneen takaisin maahan.
- Käynnistä kone huolellisesti ohjeiden mukaisesti, ja pidä kädet ja jalat kaukana teristä. Älä laita käsiä tai jalkoja lähelle pyöriäviä osia tai niiden alle. Pidä ruohonkeruuaukko aina vapaana.
- Älä koskaan nosta tai kanna tuotetta moottorin käydessä.
- Sammuta tuote ja irrota se pistorasiasta. Varmista, että kaikki liikkuvat osat ovat pysähtyneet täysin:
 - aina kun jätät tuotteen valvomatta (mukaan lukien ruoholeikkeiden hävittäminen)
 - Ennen tukoksen poistamista tai poistokourun puhdistusta
 - ennen tuotteen tarkastusta, puhdistusta ja huoltoa
 - törmättyäsi vieraaseen esineeseen; tarkista laite vaurioiden varalta ja suorita tarpeelliset korjaukset ennen laitteen käynnistämistä ja käyttöä
- Jos tuote alkaa väristä epänormaalisti, tarkasta välittömästi:
 - tarkista vaurioiden varalta
 - vaihda tai korjaa kaikki vioittuneet osat
 - tarkista, onko jokin osa löysällä, ja kiristä tarvittaessa
- Vältä koloja, uria, möykkyjä, kiviä ja muita piilossa olevia esteitä. Epätasaisessa maastossa voit liukastua, kaatua ja loukkaantua.
- Vapauta kahva viipymättä ja pysytele koneesta loitolla, jos:
 - kone syytty tuleen
 - suojuus ja/tai kotelo rikkoutuu
 - kuulet epänormaalin äänen
 - sattuu onnettomuuksia tai rikkoutumisia
- Varmista aina, että moottorin ohjaukskaapeli ei koskaan juutu, joutu puristuksiin tai muutoin vioitu kokoomisen aikana tai kahvaa taiteltaessa.

VAROITUS

Ennen kuin poistat tai asennat roskienkeräimen, varmista, että terät ovat kokonaan pysähtyneet.



VAROITUS

Älä koske liikkuviin vaarallisiin osiin ennen kuin kone on irrotettu sähkönsyötöstä ja liikkuvat vaaralliset osat ovat kokonaan pysähtyneet.

MITA AKUN TURVALLISUUSVAROITUKSIA

VAROITUS

Jotta vältetään lyhytsulun aiheuttama tulipalon, loukkaantumisen tai tuotteen vahingoittumisen vaara, älä koskaan upota työkalua, vaihtoakkuja tai latauslaitetta nesteeseen ja huolehdi siitä, ettei mitään nesteitä pääse tunkeutumaan laitteiden tai akkujen sisään. Syövyttävät tai sähköä johtavat nesteet, kuten suolavesi, tietyt kemikaalit ja lalkaisuaineet tai valkaisuaineita sisältävät tuotteet voivat aiheuttaa lyhytsulun.

YLIVIRTASUOJA

Tuotteessa on ylivirtasuoja. Kun ylikuormitusta havaitaan, laite kytkeytyy automaattisesti pois päältä. Jos ylivirtasuojauksia laukeaa, moottorin on annettava jäähtyä 5-10 minuuttia.

Sammuta tuote ja irrota se pistorasiasta. Terät ovat teräviä; käytä vahvoja suojakäsineitä, kun käsittelet teriä. Varmista, että terät pyörivät esteettä, eivät ole jumituneet tai tiukassa.

Kun moottori on kokonaan jäähtynyt, kytke pistoke virtalähteeseen ja käynnistä laite. Käynnistä tuote painamalla käynnistuspainiketta ja sitten virtapainiketta. Jos laite ei vielä käynnisty, huollata se ainoastaan valtuutetussa huoltoilikkeessä.

YLEISIÄ VINKKEJÄ NURMIKON MUOKKAUKSEEN

- Säädä leikkusuovyvyys nurmikon tarpeiden ja ruohon pitiuden mukaan.
- Jos nurmikollasi on sammalongelma, leikkaa nurmikko ja levitä sammaleentorjunta-ainetta viikko ennen suunniteltua muokkausta.
- Kastele nurmikko muutama päivä ennen muokkausta varmistaaksesi, että nurmikko on kostea, mutta ei liian märkä.

KULJETUS JA VARASTOITAESSA

- Puhdista laitteesta kaikki vieraat materiaalit. Varastoi laite viileään, kuivaan ja hyvin tuuletettuun paikkaan, jossa lapset eivät pääse siihen käsiksi. Pidä poissa syövyttäviltä aineilta kuten puutarhakemikaaleilta ja jäänsulatusuoyalta. Älä säilytä ulkona.
- Kiinnitä tuote kuljetettaessa siten, että se ei pääse liikkumaan tai kaatumaan, jotta vältytään loukkaantumisilta ja vaurioilta.

VAROITUS

Ole erittäin varovainen nostaessasi ja kallaessaasi laitetta huoltoon, puhdistusta, varastointia tai kuljetusta varten. Terät ovat teräviä, joten pidä kaikki kehonosat loitolla paljaasta terästä.

LITIUMAKKIJEN KULJETTAMINEN

Kuljeta akkuja paikallisten ja kansallisten ehtojen ja säädösten mukaisesti.

Noudata kaikkia pakkaamista ja nimeämistä koskevia erikoissäädöksiä, kun kolmas osapuoli kuljettaa akkuja. Varmista, että mikään akku ei kosketa muita akkuja tai johtavaa materiaalia kuljetuksen aikana suojaamalla paljaat navat eristävillä, johtamattomilla korkeilla tai teipillä. Älä kuljeta akkuja, jotka ovat halkeilleet tai vuotavat. Kysy välityritykseltä lisäneuvoja.

HUOLTO

VAROITUS

Käytä ainoastaan alkuperäisiä valmistajan tuottamia varaosia, lisälaitteita ja lisävarusteita. Tämän noudattamatta jättäminen voi johtaa loukkaantumiseen ja huonoon tulokseen ja voi mitätöidä takuun.

VAROITUS

Huolto kaipaa suurta huolellisuutta ja hyvää työkalun tuntemusta: Se on annettava pätevän teknikon tehtäväksi. Teetä huollot ainoastaan valtuutetussa huoltoilikkeessä. Käytä huollossa ainoastaan alkuperäisiä valmistajan tuottamia varaosia.

- Kun kone otetaan pois käytöstä huoltoon, tarkastusta tai varastointia tai lisävarusteen vaihtamista varten, sammuta virtalähde, irrota kone virransyötöstä ja varmista, että kaikki liikkuvat osat ovat pysähtyneet kokonaan. Anna koneen jäähtyä ennen tarkastuksia, säätöjä tms. Käsittele nurmikonelvytintä huolella, ja pidä se puhtaana.
- Tarkista roskienkeräin säännöllisesti kulumisen, reikiintymisen tai kunnon yleisen heikkenemisen varalta.
- Voit tehdä tässä käyttöoppaassa kuvattuja säätöjä ja korjauksia. Pyydä apua valtuutetusta huollosta muiden korjaus- tai neuvontatarpeiden tapauksessa.
- Vaihda kuluneet ja vahingoittuneet osat turvallisuusyistä. Käytä ainoastaan alkuperäisiä lisävarusteita ja varaosia.
- Puhdista tuote aina käytön jälkeen pehmeällä ja kuivalla liinalla. Valtuutetun huoltopisteen on korjattava tai vaihdettava vioittuneet osat asianmukaisesti.
- Varmista aina, että ruuvit ja mutterit ovat tiukasti kiinni, jotta tuote olisi aina turvallinen ja käyttövalmis.
- Ole varovainen koneen säätämisen aikana, jotta sormet eivät takerru liikkuvien terien ja koneen kiinteiden osien väliin.

- Kun huollat teriä, ota huomioon, että vaikka virta on kytketty pois päältä terät voivat silti liikkua.
- Muokkausterät ovat teräviä. Ole varovainen ja käytä paksuja käsineitä asettaessasi pulttia paikoilleen ja asentaessasi tai puhdistaessasi sitä ja tarkistaessasi sen kireyttä.

TUKOSTEN SELVITTÄMINEN

- Sammuta tuote ja irrota se pistorasiasta.
- Käytä aina paksuja suojakäsineitä etsiessäsi ja poistaessasi tukosta.
- Terät ovat teräviä, ja tukos itsessään voi olla terävä esine.
- Irrota roskienkeräin ja tarkista se tukosten varalta, jos niitä on, poista ne varovasti.
- Tarkasta ruohon poistokouru ja poista tukokset varovasti.
- Käännä kone kyljelleen ja tarkista sen pohja ja teriä ympäröivä alue. Jos näet tukoksia, poista ne varovasti. Ota huomioon, että terät voivat liikkua puhdistamisen aikana.

KÄYTTÖÖN LIITTYVÄT RISKIT

Vaikka tuotetta käytettäisiin ohjeiden mukaisesti, ei ole mahdollista täysin eliminoida tiettyjä käyttöön liittyviä riskitekijöitä. Käytössä voi aiheutua seuraavia vaaroja, ja käyttäjän tulee kiinnittää erityistä huomiota niiden välttämiseen:

- Tärinän aiheuttama vamma
 - Käytä aina työhön oikeaa työkalua. Käytä osoitettuja kahvoja. Rajoita työskentelyaikaa ja altistumista.
- Melun aiheuttama vamma
 - Liian kova melu voi aiheuttaa kuulovamman. Käytä suojalaseja ja rajoita altistumista.
- piikkien koskettamisen aiheuttamat vammat
- poissinkoavien esineiden aiheuttama vahinko

RISKIEN VÄHENTÄMINEN

Raporttien mukaan käsikäyttöisten laitteiden tärinä voi joidenkin kohdalla myötävaikuttaa Raynaud's Syndromen (Raynaudin oireen) ilmenemiseen. Oireita ovat pistely, turtuus ja sormien kalpeneminen, yleensä kylmässä ilmassa. Perinnölliset tekijät, kylmyys ja kosteus, ruokavaliio, tupakointi sekä työtavat voivat kaikki myötävaikuttaa näiden oireiden ilmenemiseen. Käyttäjä voi ehkäistä tärinän aiheuttamia vaikutuksia seuraavasti:

- Pidä itsesi lämpimänä kylmällä säällä. Käytä tuotteen käytön aikana käsineitä, jotta kätesi ja ranteesi pysyvät lämpöisinä. Raporttien mukaan kylmä ilma on tärkeä tekijä Raynaud's Syndromen (Raunaudin oireiden) ilmenemisessä.
- Harjoita kunkin käyttöjakson jälkeen liikuntaa, jotta verenkierto lisääntyy.
- Pidä työn aikana säännöllisesti taukoja. Rajoita päivittäisen tärinän määrä.

Jos mitään yllä mainittuja oireita ilmenee, lopeta heti laitteen käyttö ja kerro oireista lääkärille.

VAROITUS

Laitteen pitkittynyt käyttö voi aiheuttaa tai vaikeuttaa vammoja. Kun käytät mitä tahansa laitetta pitkiä aikoja, muista pitää säännöllisiä taukoja.

TUNNE TUOTTEESI

Katso sivu 134.

1. Kytkinpainike
2. Tartuntakahvat
3. Liipaisimet
4. Ylempi kahvatanko
5. Kiristysnupit
6. Kuusiokoloavain
7. Piikit
8. Kytkinavain
9. Takapyörät
10. Etupyörät
11. Akku
12. Laturi
13. Ilmaaajalisävaruste
14. Korkeudensäätövipu
15. Akun kansi
16. Takaluukku
17. Silpunkeräin
18. Alempi kahvakokoonpalo
19. Johdotus

TUOTTEESSA OLEVAT SYMBOLIT



Varoitus



Lue ohjeet huolellisesti ennen laitteen käynnistämistä.



Käytä kuulosuojaimia



Käytä silmäsuojaimia



Älä altista konetta sateelle tai kosteudelle.



Varo sinkoutuneita ja muita lentäviä esineitä. Pidä kaikki sivulliset vähintään 15 metrin päässä toiminta-alueelta – erityisesti lapset ja lemmikit.



Varo teräviä piikkejä. Piikit jatkavat pyörimistään moottorin sammuttamisen jälkeenkin. Poista eristysavain ennen huoltoa.



Älä käytä ruohonleikkuria rinteessä, jonka kaltevuus on yli 15°. Käytä tuotetta rinteessä poikittain, ei ylös ja alas.



Työskentelyleveys: 35 cm



Käytöstä poistettavia sähkölaitteita ei pidä hävittää talousjätteen mukana. Ne on mahdollisuuksien mukaan pantava kiertoon. Kierrätysohjeita antavat kunnan viranomaiset ja vähittäiskauppiat.



Tämä työkalu on sen EU-maan kaikkien sääntömääräisten standardien mukainen, josta se on ostettu.



EurAsian-vaatimustenmukaisuusmerkki



Ukrainalainen säästöstenmukaisuusmerkintä



Tässä tarrassa näytetty taattu äänenpaine on 95 dB.

TÄMÄN KÄSIKIRJAN SYMBOLIT



Osat ja lisävarusteet on hankittava erikseen



Huom



Varoitus

Seuraavat signaalisanat ja merkitykset on tarkoitettu selittämään tähän tuotteeseen liittyviä riskin tasoja.

⚠ VAARA

Ilmaisee välitöntä vaaratilannetta, joka ellei sitä vältetä, johtaa kuolemaan tai vakavaan loukkaantumiseen.

⚠ VAROITUS

Ilmaisee potentiaalisen vaaratilanteen, joka ellei sitä vältetä, johtaa kuolemaan tai vakavaan loukkaantumiseen.

⚠ HUOMAUTUS

Ilmaisee potentiaalisen vaaratilanteen, joka ellei sitä vältetä, saattaa johtaa pienempään tai keskivaikeaan loukkaantumiseen.

HUOMAUTUS

Ilman turvallisuusvaroitussymbolia ilmoittaa tilanteesta, jossa omaisuutta saattaa vaurioitua.



Sikkerhet, ytelse og pålitelighet har fått topp prioritet ved konstruksjonen av denne kabelfrie plenlufteren eller lufteren.

TILTENKT BRUK

Den elektriske plenlufteren eller lufteren er kun beregnet til utendørs bruk. Alle fire hjulene skal berøre bakken under luftingen.

Produktet er designet med små luftetinder for lufting av plen i private hager.

Produktet er montert med et luftpustyr for å skape hull i jorden for å redusere jordkomprimering.

Produktet er en plenlufter som kontrolleres av en gående person og som skyves for hånd. Produktet skal ikke trekkes eller kjøres på. Den skal ikke brukes til lufting av noe annet enn private gressplener.

Den skal ikke brukes til noe annet formål

GENERELLE SIKKERHETSREGLER FOR ELEKTRISK VERKTØY

⚠ ADVARSEL

Når produktet brukes må sikkerhetsreglene følges. Les disse instruksjonene før du tar i bruk produktet for din egen sikkerhet og sikkerheten til personer som befinner seg i nærheten. Vennligst ta vare på instruksjonene for fremtidig bruk.

⚠ ADVARSEL

Bruk bare maskinen med batteritypen som er angitt i denne håndboken. Når du bruker en batteridrevet maskin, må visse grunnleggende sikkerhetstiltak følges for å redusere risikoen for brann, lekkende batterier og personskade, inklusive følgende.

PERSONLIG SIKKERHET

- Produktet er i stand til å amputere hender og føtter, samt å slynge gjenstander rundt i luften. Dersom sikkerhetsinstruksene ikke følges, kan det ha alvorlige personskader eller døden til følge.
- Gjør deg kjent med styringen og riktig bruk av produktet.
- Du må aldri la barn eller personer med nedsatte fysiske, sensoriske eller mentale evner, eller personer som ikke er fortrolige med denne bruksanvisningen bruke, rengjøre eller vedlikeholde dette produktet. Lokale forskrifter fastlegger brukerens minstealder. Barn må ha riktig tilsyn for å sikre at de ikke leker med produktet.
- Vær våken, følg med på hva du gjør og bruk fornuft når du anvender enheten. Ikke bruk utstyret når du er sliten, syk eller under påvirkning av alkohol, narkotika eller medisiner som kan påvirke reaksjonsevne og dømmekraft. Tap av konsentrasjon når maskinen brukes kan føre til alvorlig personskade.
- Bruk tykke, lange bukser, jakke med lange ermer og sklisikkert fotføy. Ha ikke på korte bukser og sandaler eller vær barfott. Unngå å bruke klær som er løstsittende eller som har hengende snorer eller belter.

- Bruk alltid vernebriller med sideskjerm.
- Ikke len deg for langt. Pass på at du står trygt, spesielt i skråninger. Ha god fotfeste og ballanse til enhver tid. Gå, du må aldri løpe mens du arbeider med maskinen.
- Arbeid langs en skråning, aldri opp og ned. Vær meget forsiktig når du skifter retning i en skråning.
- Ikke bruk produktet nær terrengfall, grøfter, meget bratte skråninger eller fyllinger. Dårlig fotfeste kan føre til at du sklir og faller.

ARBEIDSGIVELSER

- Ikke bruk maskinen dersom andre personer - og spesielt barn - eller dyr er i nærheten.
- Gjenstander som treffes av plenlufteren kan forårsake alvorlige personskader. Inspiser området der gressklipperen skal brukes grundig, og fjern alle steiner, pinner, metallbiter, ståltråd, bein, leker og andre fremmedlegemer. Husk at snorer og vaiere kan hekte seg fast i kutteenheten.
- Bruk klipperen i dagslys eller i godt kunstlys.
- Ikke bruk elektrisk verktøy i eksplosive atmosfærer, der det finnes brennbare væsker, gasser eller støv. Elektrisk verktøy skaper gnister som kan antenne støv eller gasser.
- Ikke bruk verktøyet i fuktige og våte omgivelser eller når det regner.
- Ikke bruk maskinen på asfalt eller gruslagt overflate der utkastet materiale kan føre til skade.
- Bruk produktet kun på et jevnt underlag med tohåndsdrift med operatøren bak håndtaket.
- Unngå bruk av plenlufteren under dårlige værforhold, spesielt når det er fare for tordenvær.
- Husk at operatøren eller brukeren er ansvarlig for uhell og farer som andre personer og deres eiendom får påført.
- Tragiske uhell kan oppstå dersom operatøren ikke er oppmerksom på barn i nærheten. Du må aldri gå ut i fra at barn forblir på det stedet der du så dem sist.
- Hold barn unna arbeidsområdet, og under tilsyn av en ansvarlig voksen nr. 2. Vær på vakt, og slå av maskinen hvis et barn kommer inn på området.
- Vær ekstra forsiktig når du nærmer deg uoversiktlige hjørner, busker, trær eller andre objekter, inkludert overhengende busker som kan blokkere visningen.

BATTERIPRODUKTER - BRUK OG STELL

- Du må lese og forstå sikkerhetsinstruksene som fulgte med batteriet og laderen og alltid følge disse ved bruk. Dersom dette ikke overholdes, kan det føre til elektrisk støt, brann eller andre farlige situasjoner. Ta vare på alle bruksanvisninger på et sted som er trygt for framtidig referanse.
- Batteridrevne produkter behøver ikke å kobles til en elektrisk kontakt; derfor vil de alltid være klare til bruk. Fjern skillebryteren når du ikke bruker produktet.
- Fjern batteripakken før det foretas justeringer, rengjøring eller det skal fjernes deler fra gressklipperen.
- Påse at isolatornøkkelen er tatt ut før batteripakken settes på plass.





- Batteripakken må kun lades med ladere som er spesifisert av produsenten. Bruk av lader med en ikke-kompatibel batteripakke kan skape risiko for brann. Bruk kun de oppførte laderne til å lade batteriet.
- Bruk bare en batteripakke som er spesielt beregnet på dette verktøyet. Bruk av noe annet batteri kan føre til risiko for brann, elektrisk sjokk eller personskade.
- Når batteripakken ikke er i bruk, hold den borte fra metallgjenstander som binders, mynter, nøkler, spiker, skruer og annet som kan forbinde de to terminalene med hverandre. Kortslutning av batteriterminalene kan føre til gnister, brennemerke, brann eller eksplosjon.
- Plasser ikke batteridrevne produkter eller deres batterier nær åpen flamme eller sterk varme. Dette vil øke risikoen for eksplosjoner og mulige skader.
- Ikke gjør forsøk på å åpne eller slå i stykker en batteripakke. Batterisyre er korroderende og kan, dersom den kommer ut, føre til skade på hud og øyne. Den kan være giftig å svelge.
- Beskytt batteripakken mot fuktighet og vann. Ikke lad enheten på fuktige eller våte steder. Følg denne regelen for å redusere risikoen for elektrisk sjokk.
- Ved skade på eller feilaktig bruk av batteriet kan det avgis damp. Sørg for frisk luft og søk medisinsk hjelp dersom den som er utsatt for dampen føler seg uvel eller syk. Dampen kan irritere luftveiene.
- Ikke etterlat batteripakken i et kjøretøy under varme eller kalde forhold.
- Ikke gjør forsøk på å brenne batteriet.
- Ved feil bruk av batteriet kan det slippe ut væske. Hvis du får kontakt med væsken fra batteriet, skyll med rikelige mengder vann. Hvis væsken får kontakt med øynene må det søkes medisinsk hjelp. Væske som kommer ut av batteriet kan føre til irritasjon eller brannskår.
- Lås aldri på/av-bryterne i på-stillingen; dette er ekstremt farlig.
- Ikke press maskinen. Den vil gjøre jobben bedre og tryggere med den hastigheten den er konstruert for.
- Stopp tindene ved kryssing av grusbelagt underlag.
- Utvis ekstrem forsiktighet når du rygger eller trekker produktet mot deg.
- Stopp tindene hvis produktet må skråstilles for transport når du krysser andre overflater enn gress, og når du transporterer produktet til og fra arbeidsområdet.
- Bruk aldri produktet med defekte verneinnretninger eller skjermer, eller uten sikkerhetsenheter, for eksempel deflektorer og/eller avfallssamlere, på plass.
- Ikke skråstill produktet når du slår på motoren, unntatt hvis maskinen kan skråstilles for oppstart. Hvis det er absolutt nødvendig, kan du løfte kun den delen som er borte fra operatøren. Sørg for at begge hendene alltid er i driftsposisjon før du setter maskinen ned på bakken igjen.
- Slå produktet forsiktig på i henhold til anvisningene, og hold hender og føtter borte fra tindene. Ikke plasser hender eller føtter under roterende deler. Hold deg alltid unna utladingsåpningen.
- Løft aldri opp eller bær produktet mens motoren går.
- Slå av produktet og trekk støpslet til den elektriske ledningen ut av stikkontakten. Påse at alle bevegelige deler har stoppet helt:
 - Når du forlater produktet uten tilsyn (inkludert tømming av gressavfallet).
 - før du fjerner en blokkering eller renser utkasterrøret
 - før kontroll, rensing og arbeider på produktet
 - etter at du har kjørt på en gjenstand; sjekk enheten for skader og utfør nødvendige reparasjoner før du starter og bruker maskinen igjen.
- Hvis gressklipperen begynner å vibrere unormalt, må du straks:
 - inspiser for skader
 - erstatt eller reparer enhver skadet del
 - undersøk og stram alle løse deler
- Unngå hull, hjulspor, humper, steiner og andre skjulte gjenstander. Ujevnt underlag kan føre til at man sklir og fallulykker.
- Slipp håndtaket umiddelbart og hold deg borte fra produktet hvis:
 - produktet tar fyr
 - verneinnretningen og/eller huset er ødelagt
 - det oppstår unormal lyd
 - Enhver ulykke eller svikt oppstår
- Du må alltid sjekke at motorens styrekabel ikke hekter seg fast, klemmes eller skades på annen måte under montering eller når du folder sammen håndtaket.

SIKKERHETSADVARSLER FOR PLENLUFTEREN OG LUFTEREN

- Tindene på produktet er skarpe. Vis varsomhet og bruk tykke arbeidshansker når du monterer, skifter, rengjør og sjekker hvordan skruene er festet.
- Kontroller at alle skruer, muttere, boter og andre festeinnretninger er riktig festet og at verneinnretninger og skjermer er på plass. Erstatt skadede eller uleselige merker/etiketter.
- Skift ut slitte eller ødelagte deler før du tar i bruk produktet.
- Installer avfallssamleren før plenluftingen. Tøm avfallssamlere når den er full, og rett den på plass igjen før driften gjenopptas.
- Produktet må startes når brukeren står bak håndtaket i brukerens sikkerhetssone. Du må aldri starte produktet hvis:
 - Ikke alle fire hjul er på bakken
 - Utkasterrøret er eksponert og ikke beskyttet av avfallssamlere eller dekslet på utkasterrøret.
- Bruk aldri produktet hvis på/av-bryteren på håndtaket ikke ordentlig for å starte og stoppe produktet.

ADVARSEL

Se til at tindene har stoppet helt før du fjerner eller setter på plass avfallssamlere.



⚠ ADVARSEL

Ikke berør farlige deler som beveger seg før produktet er koblet fra strømmen og de farlige delene i bevegelse har stoppet fullstendig.

EKSTRA SIKKERHETSINSTRUKSER FOR BATTERI

⚠ ADVARSEL

For å unngå fare for en brann forårsaket av en kortslutning, personskader eller skader på produktet, må det forhindres at batteripakken eller laderen dyppes i væsker. Det må også sørges for at ingen væsker kan trenge inn i apparatene eller batteriene. Korroderende og ledende væsker som saltvann, visse kjemikalier og blekemidler eller produkt som inneholder blekemidler kan forårsake en kortslutning.

ENHETEN ER BESKYTTET MOT OVERSPENNING

Gressklipperen er utstyrt med overbelastningsvern. Gressklipperen slår seg automatisk av når det registreres at den blir overbelastet. Hvis overspenningsbeskytteren er aktivert, må du la motoren kjøle seg ned i 5–10 minutter.

Slå av produktet og trekk støpslet til den elektriske ledningen ut av stikkkontakten. Tindene er skarpe; bruk kraftige hansker ved berøring. Sørg for at tindene kan rotere fritt og ikke er fastkjørt eller sitter trangt.

Når motoren har kjølt seg ned, koble pluggen til strømforsyningen og slå på produktet. Trykk på startknappen og deretter på På-/av-knappen for å starte produktet. Hvis produktet fortsatt ikke vil starte, få utført service på produktet kun av et autorisert servicesenter.

GENERELLE TIPS FOR PLENLUFTING

- Juster kuttedybden i henhold til behovet til plenen og lengden på gresset.
- Klipp plenen og påfør mosedrepende middel en uke før du planlegger å lufte plenen hvis det er et problem med mose på plenen.
- Vann plenen noen dager før du lufter den for å sikre at plenen er fuktig, men ikke allfor våt.

TRANSPORT OG LAGRING

- Fjern alle fremmedelementer fra produktet. Lagres på et kjølig, tørt og godt ventilert sted som er utilgjengelig for barn. Hold den borte fra korrosive materialer, så som ugressmidler og veisalt. Ikke oppbevar utendørs.
- Ved transport må produktet sikres mot å komme i bevegelse eller falle for å unngå skade på personer eller produktet.

⚠ ADVARSEL

Vær meget forsiktig når du løfter eller velter maskinen på siden for vedlikehold, rengjøring, lagring eller transport. Tindene er skarpe, hold alle kroppsdeler på avstand fra tindene ved eksponering.

TRANSPORTERE LITIUM-BATTERIER

Transporter batterier i henhold til lokale og nasjonale lover og forskrifter.

Følg alle spesialkrav med hensyn til emballering og merking når batterier transporteres av en tredjepart. Påse at ingen batterier kan komme i kontakt med andre batterier eller ledende materialer under transporten ved å beskytte åpne kontakter med isolasjon, ikkeledende lokk eller tape. Ikke transporter batterier som er sprukne eller som lekker. Kontakt speditøren for å få ytterligere råd.

VEDLIKEHOLD

⚠ ADVARSEL

Bruk kun produsentens originale reservedeler, tilleggsutstyr og påsatser. Dersom dette ikke følges, kan det forårsake personskader, dårlig funksjon og kan annullere garantien din.

⚠ ADVARSEL

Service krever meget stor forsiktighet og kunnskap og bør utføres kun av kvalifisert teknisk personale. Få utført service på produktet kun av et autorisert servicesenter. For service av maskinen, bruk kun produsentens originale reservedeler.

- Når produktet er stoppet for utføring av service, inspeksjon eller lagring, eller for å skifte et tilbehør, slå av strømmen, koble produktet fra strømforsyningen og se til at alle bevegelige deler har stoppet helt. La maskinen kjøle seg ned før det foretas inspeksjoner, justeringer m.v. Vedlikehold produktet med omhu og hold det rent.
- Kontroller avfallssamleren hyppig for slitasje, hull eller forringelse.
- Du kan foreta justeringer og reparasjoner som er beskrevet i denne brukermanualen. For andre typer reparasjoner eller råd anbefales det å kontakte et autorisert servicesenter.
- Erstatt slitte eller skadede deler av sikkerhetshensyn. Bruk bare originale Ryobi reservedeler og tilbehør.
- Etter hver bruk, rens produktet med en myk tørr klut. Enhver del som er skadet må repareres eller skiftes ut på fagmessig måte ved et autorisert serviceverksted.
- Kontroller all mutter, bolter og skruer med jevne mellomrom at de er skrudd fast for å sikre at produktet er i driftssikker stand.
- Vær forsiktig ved justering av produktet for å forhindre fanging av fingrene mellom bevegelige tunder og faste deler av produktet.



- Når du utfører vedlikehold på enheten, vær oppmerksom på at selv om strømkilden er avslått, kan tindeenheten fortsatt bevege seg.
- Tindene på produktet er skarpe. Vis varsomhet og bruk tykke arbeidshansker når du monterer, skifter, rengjør og sjekker hvordan skruene er festet.

FJERNE BLOKKERINGER

- Slå av produktet og trekk støpslet til den elektriske ledningen ut av stikkkontakten.
- Bruk alltid kraftige arbeidshansker når en blokkering undersøkes og fjernes.
- Tinden er skarpe, og selve blokkeringen kan være en skarp gjenstand.
- Ta av avfallssamleren og se etter og fjern hindringer.
- Sjekk utkasterrøret og fjern eventuelle blokkeringer.
- Vend produktet på siden og sjekk undersiden av produktet og området rundt tindene. Fjern eventuelle blokkeringer forsiktig. Husk på at tindene kan bevege seg under rengjøring.

GJENVÆRENDE RISIKO

Selv om utstyret brukes som beskrevet er det ikke mulig å unngå enhver gjenværende risiko. Følgende faresituasjoner kan oppstå ved bruk, og operatøren må legge spesielt vekt på å unngå følgende:

- Personskade på grunn av vibrasjon
 - Bruk alltid riktig verktøy for jobben. Bruk tilegnede håndtak. Begrens arbeidstiden og eksponeringen.
- Skader skapt av støy.
 - Eksponering for støy kan føre til hørselskader. Bruk hørselvern og begrens eksponeringen.
- skade fra kontakt med grener og spisse gjenstander
- Skade som forårsakes av gjenstander som slynges

FAREREDUKSJON

Det foreligger rapporter om at vibrasjoner fra håndholdt verktøy for enkelte personer kan bidra til en tilstand som kalles Raynauds Syndrome. Symptomene kan omfatte følelsesløshet og gjøre fingrene bleke, vanligvis synlig ved eksponering til lave temperaturer. Arvelige faktorer, eksponering mot lave temperaturer og fuktighet, diett, røyking og arbeidspraksis blir alle ansett for å kunne bidra til å utvikle disse symptomene. Brukeren kan iverksette tiltak for mulig å redusere virkningene av vibrasjonene:

- Hold kroppen din varm i kaldt vær. Bruk hansker og hold hender og håndledd varme ved bruk av produktet. Det er rapportert at kaldt vær er en viktig faktor som bidrar til Raynauds Syndrome.
- Etter hver arbeidsperiode bør det utføres øvelser for å øke blodsirkulasjonen.
- Ta ofte pauser fra arbeidet som utføres. Begrens mengden av eksponering pr. dag.

Hvis du opplever noen av symptomene på denne tilstanden må du øyeblikkelig avbryte arbeidet og oppsøke en lege med disse symptomene.

⚠ ADVARSEL

Hvis man bruker verktøyet for lenge av gangen, kan det føre til eller forverre allerede eksisterende personskade. Når du bruker et verktøy over en lenger tidsperiode, husk å ta regelmessige pauser.

KJENN PRODUKTET DITT

Se side 134.

1. Bryterknapp
2. Håndtak
3. Utløser
4. Øvre håndtakspol
5. Knottes
6. Unbrakonøkkel
7. Tinder
8. Bryternøkkel
9. Bakhjul
10. Forhjul
11. Batteri
12. Lader
13. Lufferutstyr
14. Høydeinnstiller
15. Batterideksel
16. Bækdør
17. Avfallssamler
18. Nedre håndtaksmontering
19. Kabling

SYMBOLER PÅ PRODUKTET



Sikkerhetsalarm



Vennligst les instruksjonene nøye før du starter maskinen.



Bruk hørselvern



Bruk øyebeskyttelse



Ikke utsette for regn eller fuktige forhold.



utkastede Pass opp for gjenstander som slynges ut eller flyr i luften. Hold tilskuere, spesielt barn og dyr, på god avstand, det vil si minst 15 meter fra arbeidsområdet



Vær oppmerksom på skarpe tinder. Tindene forsetter å rotere etter at motoren er slått av. Fjern isolatomøkkelen før vedlikehold.





Ikke kjør klipperen i helninger på mer enn 15°. Arbeid langs en skråning, aldri opp og ned.



Arbeidsbredde: 35 cm



Avfall fra elektriske produkter skal ikke kastes sammen med husholdningsavfall. Vennligst resirkulervedeksisterende avfallsbehandlingssted. Undersøk hos dine lokale myndigheter eller forhandler for råd om resirkulering.



Dette verktøyet samsvarer med samtlige standarder i EU-landet der det er kjøpt.



EurAsian samsvarsmerke



Ukrainsk kontrolltegn



Det garanterte lydtrykksnivået er på 95 dB og er angitt på etiketten.

SYMBOLER I DENNE MANUALEN



Deler eller tilbehør som er tilgjengelige separat



Merk



Advarsel

Følgende symboler og betydninger forklarer risikonivået som er assosiert med dette produktet.

⚠ FARE

Indikerer en øyeblikkelig farlig situasjon, som, hvis ikke unngås, kan resultere i død eller alvorlig personskade.

⚠ ADVARSEL

Indikerer en potensiell farlig situasjon, som, hvis ikke unngås, kan resultere i død eller alvorlig personskade.

⚠ FORSIKTIGHETSREGEL

Indikerer en potensiell farlig situasjon, som, hvis ikke unngås, kan resultere i mindre eller moderat personskade.

FORSIKTIGHETSREGEL

Uten sikkerhetsvarselsymbol

Indikerer en situasjon som kan føre til skade på eiendom.



В основе конструкции вашего беспроводного скарификатора или аэратора лежат принципы безопасности, продуктивности и надежности.

НАЗНАЧЕНИЕ

Беспроводной скарификатор или аэратор предназначен для использования только вне помещений. Во время скарификации или аэрации все четыре колеса должны касаться земли.

Изделие, оснащенное специальными зубцами, предназначено для скарификации домашнего газона.

Изделие, оснащенное аэраторной насадкой, предназначено для продления отверстий в почве с целью снижения уплотнения почвы.

Изделие представляет собой газонный скарификатор с пешим управлением, приводимый в движение толкателем. Запрещается тянуть изделие или кататься на нем. Подходит для скарификации только домашних газонов.

Не используйте устройство для каких-либо иных целей.

ОБЩИЕ УКАЗАНИЯ ПО ТЕХНИКЕ БЕЗОПАСНОСТИ ПРИ РАБОТЕ С ЭЛЕКТРОИНСТРУМЕНТОМ

⚠ ОСТОРОЖНО

При использовании устройства необходимо соблюдать правила техники безопасности. В целях собственной безопасности и безопасности наблюдающих лиц перед использованием устройства прочитайте приведенные в данном руководстве инструкции. Сохраните данные инструкции для последующего использования.

⚠ ОСТОРОЖНО

Используйте инструмент только с аккумуляторными блоками, указанными в настоящем руководстве пользователя. Во избежание опасности возгорания, течи аккумуляторной батареи и получения травм при использовании электроинструментов с питанием от аккумуляторных батарей следует соблюдать основные правила техники безопасности.

ЛИЧНАЯ БЕЗОПАСНОСТЬ

- Изделие может отрезать руки и ноги, а также отбрасывать предметы. Отказ соблюдать все инструкции безопасности, может кончиться серьезным ущербом или смертью.
- Ознакомьтесь с элементами управления и правильным использованием устройства.
- Никогда не позволяйте детям или людям с ограниченными физическими, сенсорными или умственными способностями, а также людям, незнакомым с этими инструкциями, работать с этим устройством, выполнять его очистку и техническое обслуживание. Местные инструкции могут ограничить возраст оператора. Не допускайте того, чтобы дети играли с этим устройством.

- Следует соблюдать осторожность, следить за своими действиями и руководствоваться здравым смыслом при работе с устройством. Не работайте с данным инструментом в случае усталости, болезни или под воздействием алкоголя, наркотиков или медикаментов. Недостаточная внимательность во время работы с устройством может привести к получению серьезной травмы.
- Работать следует в тяжелых, длинных брюках, одежде с длинным рукавом и прочной нескользящей обуви. Не носите шорты и сандалии, также не ходите босиком. Не надевайте свободную одежду или одежду со свисающими шнурками или узлами.
- Всегда надевать небьющиеся очки с щитами стороны.
- Не перенапрягать. Всегда сохраняйте устойчивое положение, особенно на склонах. Держать устойчивую опору и баланс. Передвигайтесь шагом, не бегайте.
- Двигайтесь с изделием поперек поверхности склонов, но не вверх и не вниз. Осуществлять чрезвычайное предостережение при изменении направления на склонах.
- Не используйте устройство вблизи обрывов, рвов, очень крутых склонов или насыпей. Бедная опора может причинять несчастный случай промаха и падения.

БЕЗОПАСНОСТЬ НА РАБОЧЕМ МЕСТЕ

- Не работайте с устройством, если рядом присутствуют посторонние лица, особенно дети, а также домашние животные.
- Застывание предметов в зубах скарификатора может привести к серьезной травме. Тщательно осмотрите участок, где предполагается использовать газонокосилку, и уберите все камни, палки, металлические части, проволоку, кости, игрушки и другие посторонние предметы. Помните, что провода или шнуры могут запутаться в режущих деталях.
- Эксплуатируйте изделие только при дневном свете или хорошем искусственном освещении.
- Не используйте изделия с аккумуляторным питанием во взрывоопасной среде, например, при наличии легковоспламеняющихся жидкостей, газов или пыли. В устройстве могут образовываться искры, что может привести к воспламенению пыли или газа.
- Не работайте с устройством во влажной траве или под дождем.
- Не работайте с инструментом на мощной или покрытой гравием поверхности, так как при этом выбрасываемый материал может привести к телесным повреждениям.
- Работать с изделием необходимо только на ровной поверхности, удерживая двумя руками и находясь за рукоятку.
- Воздержитесь от использования скарификатора в плохую погоду, особенно во время грозы.
- Иметь в виду, что оператор или пользователь





ответственны за несчастные случаи или опасности, встречающиеся другим людям или их собственности.

- Трагические несчастные случаи могут происходить, если оператор - не внимателен к присутствию детей. Никогда не предполагать, что дети останутся, там, где вы видели их.
- Не допускайте детей в рабочую зону и не оставляйте их без присмотра ответственного взрослого, помимо оператора, а также при появлении ребенка в рабочей зоне выключайте изделие.
- Работайте с особой осторожностью при приближении к углам с плохой обзорностью, кустарникам, деревьям и другим объектам, включая насаждения, которые могут закрывать обзор.

ЭКСПЛУАТАЦИЯ УСТРОЙСТВА С АККУМУЛЯТОРНЫМ ПИТАНИЕМ И УХОД ЗА НИМ

- Прочитайте, уясните и всегда следуйте инструкции по технике безопасности, прилагаемой к батарее и зарядному устройству. Несоблюдение инструкции может привести к поражению электрическим током, пожару и другим опасным ситуациям. Храните все инструкции вместе в надежном месте для дальнейшего использования.
- Нет необходимости подключать устройства с аккумуляторным питанием в электрическую розетку, они всегда находятся в рабочем состоянии. Извлеките разъединитель, когда вы не используете изделие.
- Перед выполнением любых настроек, очисткой или удалением материала с устройства снимите аккумуляторную батарею.
- Перед установкой аккумуляторной батареи убедитесь, что ключ зажигания вынут.
- Зарядку аккумуляторной батареи следует производить только с помощью рекомендованного изготовителем зарядного устройства. Использование зарядного устройства с несовместимой аккумуляторной батареей может создать опасность возгорания. Используйте аккумуляторные батареи только с перечисленными зарядными устройствами.
- Используйте с данным устройством только предназначенные для него аккумуляторные батареи. Использование аккумуляторных батарей другого типа может привести к возгоранию, поражению электрическим током или телесным повреждениям.
- Если аккумуляторная батарея не используется, храните ее отдельно от других металлических предметов, например канцелярских скрепок, монет, ключей, гвоздей, винтов и других мелких металлических предметов, которые могут привести к замыканию контактов батареи. Замыкание полюсов батареи может привести к искрам, возгоранию, пожару или взрыву.
- Не размещайте батареи рядом с источниками огня или тепла. Это повышает риск взрыва и получения травмы.

- Не вскрывайте и не разбирайте аккумуляторную батарею. Вытекающий электролит является разъедающим веществом, которое может привести к поражению глаз или кожи. При проглатывании электролит может привести к отравлению.
- Оберегайте аккумуляторную батарею от сырости и воды. Не заряжайте устройство в условиях повышенной влажности или сырости. Соблюдение этого правила снизит риск получения удара электрическим током.
- При повреждении или ненадлежащем использовании аккумуляторной батареи из нее могут выделяться испарения. В случае появления признаков недомогания обеспечьте поступление свежего воздуха и обратитесь за врачебной помощью. Испарения могут вызвать раздражение органов дыхания.
- Не оставляйте аккумуляторные батареи внутри прибора в жарких или холодных условиях.
- Не сжигайте аккумуляторную батарею.
- При ненормальных условиях из батареи может вытечь жидкость, избегайте контакта с ней. Если этого избежать не удалось, смойте жидкость водой. Если жидкость попала в глаза, после их промывания обратитесь за медицинской помощью. Жидкость, вытекающая из батареи, может вызвать раздражение или ожог.

ТЕХНИКА БЕЗОПАСНОСТИ ПРИ ИСПОЛЬЗОВАНИИ СКАРИФИКАТОРА-АЭРАТОРА

- Зубцы изделия острые. Будьте предельно осторожны и выполняйте установку, замену, очистку и проверку затяжки болтов в защитных перчатках.
- Проверьте надежность крепления шурупов, гаек, болтов и других креплений, а также наличие защитных щитков и экранов. Замените поврежденные или нечитаемые наклейки.
- Замените изношенные или поврежденные детали перед началом эксплуатации устройства.
- Перед началом скарификации установите мусоросборник. При заполнении мусоросборника извлеките его и установите на место перед началом работы.
- При запуске изделия оператор находится за ручками в безопасной зоне. Запрещается запускать устройство, если не выполнены указанные ниже условия:
 - все четыре колеса не находятся на земле
 - лоток для выгрузки мусора открыт и не защищен крышкой мусоросборника и лотка для выгрузки мусора.
- Не используйте изделие, если невозможно остановить двигатель выключателем, расположенным на ручке.
- Запрещается блокировать выключатель питания; это очень опасно.
- Не прикладывайте чрезмерных усилий при работе с данным инструментом. Лучше и безопаснее выполнить работу на той скорости, на которую устройство рассчитано.

EN
FR
DE
ES
IT
NL
PT
DA
SV
FI
NO
RU
PL
CS
HU
RO
LV
LT
ET
HR
SL
SK
BG
UK
TR





- Останавливайте зубцы на гравийных поверхностях.
- Будьте предельно осторожны при движении назад или подтягивании изделия к себе.
- Останавливайте зубцы в случае, если изделие необходимо наклонить для преодоления любых поверхностей, кроме травяных, а также при транспортировке изделия в рабочую зону или из нее.
- Запрещается использовать изделие с дефектными щитками или экранами, а также без защитных устройств, таких как дефлекторы и/или мусоросборники.
- Запрещается наклонять изделие во время запуска двигателя, за исключением случаев, когда это требуется для запуска. При крайней необходимости допускается поднятие только той части изделия, которая максимально удалена от оператора. Перед тем, как опустить изделие на землю, убедитесь в том, что обе руки находятся в рабочем положении.
- Включите изделие, соблюдая технику безопасности и следуя инструкции, следите за тем, чтобы руки и ноги находились на безопасном расстоянии от зубцов. Не держите руки или ноги вблизи вращающихся деталей или под ними. Держите свободным разгрузку, открывающейся всегда.
- Не поднимайте и не несите изделие с работающим двигателем.
- Выключите изделие и отсоедините его от источника электропитания. Убедитесь в полной остановке всех движущихся деталей:
 - когда продукт оставляется без присмотра (включая выброс обрезков травы).
 - перед очисткой засора лотка для выгрузки травы
 - перед проверкой, чисткой и техобслуживанием продукта;
 - после удара о посторонний предмет; осмотрите прибор на наличие повреждений и отремонтируйте по мере необходимости перед повторным запуском и эксплуатацией устройства;
- Если инструмент начинает необычно вибрировать, немедленно проверьте:
 - осмотрите устройство на предмет повреждений
 - замените или отремонтируйте поврежденные детали
 - проверьте и, при необходимости, затяните ослабленные детали
- Избежать отверстий, колея, ударов, камней, или других скрытых объектов. Неровный ландшафт может причинять несчастный случай промаха и падения.
- Незамедлительно отпустите рукоять и отойдите от изделия в случае:
 - возгорания изделия
 - поломки щитка и/или корпуса
 - появления аномальных звуков
 - возникновения аварийной ситуации

- Обязательно следите за тем, чтобы шнур управления двигателем не был зацеплен, пережат и поврежден каким-либо иным образом во время сборки или складывания ручки.

⚠ ОСТОРОЖНО

Перед снятием или установкой мусоросборника дождитесь полной остановки зубцов.

⚠ ОСТОРОЖНО

Запрещается прикасаться к опасным подвижным деталям до отключения изделия от источника питания и их полной остановки.

ТРЕБОВАНИЯ БЕЗОПАСНОСТИ ПРИ ИСПОЛЬЗОВАНИИ ДОПОЛНИТЕЛЬНОЙ АККУМУЛЯТОРНОЙ БАТАРЕИ

⚠ ОСТОРОЖНО

Для предотвращения опасности пожара в результате короткого замыкания, травм и повреждения изделия не опускайте инструмент, сменный аккумулятор или зарядное устройство в жидкости и не допускайте попадания жидкостей внутрь устройств или аккумуляторов. Коррозионные и проводящие жидкости, такие как соленый раствор, определенные химикаты, отбеливающие средства или содержащие их продукты, могут привести к короткому замыканию.

УСТРОЙСТВО ЗАЩИТЫ ОТ ПЕРЕГРУЗКИ

Инструмент оснащен устройством защиты от перегрузки. При обнаружении перегрузки инструмент автоматически выключится. При срабатывании устройства защиты от перегрузки следует дать двигателю остыть в течение 5-10 минут.

Выключите изделие и отсоедините его от источника электропитания. Зубцы острые; обращайтесь с ними следует только в сверхпрочных перчатках. Проверьте, чтобы зубцы свободно вращались и не были заблокированы.

После остывания двигателя подсоедините вилку к источнику питания и включите изделие. Нажмите кнопку Пуск, а затем кнопку включения/выключения для запуска устройства. Если изделие не запускается, обратитесь в авторизованный сервисный центр.

ОБЩИЕ СОВЕТЫ ПО ТЕХНИКЕ БЕЗОПАСНОСТИ ВО ВРЕМЯ СКАРИФИКАЦИИ

- Отрегулируйте глубину резки с учетом особенностей вашего газона и длины травы.
- Если газон поражен мхом, за неделю до скарификации постригите газон и обработайте его средством против мха.
- Полейте газон за несколько дней до скарификации, чтобы он был влажным, но не слишком мокрым.



ТРАНСПОРТИРОВКА И ХРАНЕНИЕ

- Очистите устройство от всех посторонних материалов. Храните его в прохладном, сухом, хорошо проветриваемом и недоступном для детей месте. Не держите бензопилу рядом с коррозионными веществами, такими как садовые химикаты или размораживающая соль. Не храните на открытом воздухе.
- Для транспортировки закрепите изделие так, чтобы оно не могло перемещаться или упасть во избежание травмирования персонала или повреждения изделия.

⚠ ОСТОРОЖНО

Будьте предельно осторожны при подъеме или наклоне устройства для технического обслуживания, очистки, хранения или транспортировки. Зубцы острые; не прикасайтесь к обнаженным зубцам.

ПЕРЕВОЗКА ЛИТИЕВЫХ БАТАРЕЙ

Транспортировку батареи осуществляйте в соответствии местными и национальными нормами и положениями.

Следуйте всем особым требованиям к упаковке и маркировке при транспортировке батареи в сторонние организации. Проверьте, чтобы батарея не соприкасалась с другими батареями или токопроводящими материалами во время транспортировки, защитив открытые контакты с помощью изоляции, непроводящих колпачков или пленки. Не транспортируйте поврежденные или протекающие батареи. За консультацией обращайтесь в транспортно-экспедиционную компанию.

ОБСЛУЖИВАНИЕ

⚠ ОСТОРОЖНО

Используйте только оригинальные запчасти, аксессуары и насадки от производителя. Невыполнение этого требования может привести к травме, к снижению производительности и к аннулированию гарантии.

⚠ ОСТОРОЖНО

Обслуживание требует чрезвычайной заботы и знания и должно быть выполнено только квалифицированным техником обслуживания. Обратитесь в авторизованный сервисный центр. При выполнении технического обслуживания используйте только оригинальные запчасти от производителя.

- При выключении изделия для проведения обслуживания и осмотра, размещения на хранение или замены детали, отключите источник питания, отсоедините от него изделие и дождитесь полной остановки всех движущихся деталей. Перед

осмотром, регулировкой и т.д. дождитесь остывания устройства. Обращайтесь с изделием аккуратно и сохраняйте его в чистоте.

- Периодически осматривайте мусоросборник на предмет износа, дыр и повреждений.
- Вы можете также выполнить другие виды регулировки и ремонтные работы, описанные в данном руководстве. Для проведения других ремонтных работ или за получением рекомендаций обращайтесь в авторизованный сервисный центр.
- В целях безопасности заменяйте изношенные или поврежденные детали. Используйте запасные части и принадлежности только от компании-производителя.
- После каждого использования протирайте изделие мягкой сухой тканью. В случае повреждения какой-либо детали необходимо обратиться в авторизованный сервисный центр для выполнения надлежащего ремонта или замены.
- Проверить все болты, задвижки, и винты, через короткие интервалы, на надлежащую плотность, чтобы убедиться, что изделие находится в безопасном, рабочем состоянии.
- Соблюдайте осторожность в процессе настройки изделия, чтобы не допустить попадание пальцев между движущимися зубцами и неподвижными деталями изделия.
- При обслуживании зубцов учитывайте, что даже после отключения источника питания зубцы могут продолжать вращаться.
- Зубцы изделия острые. Будьте предельно осторожны и выполняйте установку, замену, очистку и проверку затяжки болтов в защитных перчатках.

СНЯТИЕ БЛОКИРОВКИ

- Выключите изделие и отсоедините его от источника электропитания.
- Всегда надевайте специальные защитные перчатки при проверке и очистке засорения.
- Зубцы острые, и блокирующий предмет также может оказаться острым.
- Снимите мусоросборник, проверьте и тщательно очистите засор.
- Проверьте лоток для выгрузки травы на наличие засоров и осторожно очистите.
- Поверните инструмент набок, проверьте его дно и область вокруг зубцов. Осторожно удалите засор. Помните, что зубцы могут двигаться в процессе очистки.

БУДЬТЕ ВСЕГДА ОСТОРОЖНЫ

Даже когда изделие используют согласно инструкциям, невозможно полностью устранить факторы риска. Следующие опасные факторы могут возникнуть в ходе использования, и оператор должен обращать особое внимание, чтобы избежать следующих опасностей:

- Травмы, вызываемые вибрацией
 - Применяйте инструмент только по своему

назначению. Пользуйтесь специальными рукоятками. Ограничьте время работы.

- Травма, вызванная шумом.
 - Воздействие шума может привести к повреждению слуха. Носите устройства защиты слуха и ограничивайте продолжительность шумового воздействия.
- травма от соприкосновения с зубцами
- Травма, вызванная отбрасываемыми предметами

СНИЖЕНИЕ РИСКА

Считается, что вибрация ручного инструмента может привести к проявлению у отдельных лиц так называемой болезни Рейно (Raynaud's Syndrome). К симптомам могут относиться покалывание, онемение и побеление пальцев (как при переохлаждении). Считают, что наследственные факторы, охлаждение и влажность, диета, курение и практический опыт способствуют развитию этих симптомов. Ниже приводятся меры, которые может принять оператор для снижения воздействия вибрации:

- Одевайтесь теплее в холодную погоду. При эксплуатации изделия носите перчатки, чтобы сохранить руки и запястья в тепле. Считается, что холодная погода является основным фактором, способствующим возникновению болезни Рейно (Raynaud's Syndrome).
- После каждого этапа работы выполните упражнения для усиления кровообращения.
- Чаще делайте перерывы в работе. Сократите длительность ежедневного пребывания на открытом воздухе.

При появлении каких-либо из указанных симптомов сразу же прекратите работу и обратитесь по их поводу к врачу.

⚠ ОСТОРОЖНО

Слишком продолжительное использование инструмента может привести к травме. При использовании инструмента в течение длительного времени делайте регулярные перерывы.

ИЗУЧИТЕ УСТРОЙСТВО

См. стр. 134.

1. Кнопка включения
2. Ручки
3. Спусковые рычаги
4. Штанга верхней рукояти
5. Регуляторы
6. Шестигранный ключ
7. Зубцы
8. Ключ-выключатель
9. Задние колеса
10. Передние колеса
11. Аккумулятор
12. Зарядное устройство
13. Аэрационная насадка
14. Рычаг регулирования высоты
15. Крышка аккумуляторного отсека

16. Задняя дверца
17. Мусоросборник
18. Нижняя рукоять в сборе
19. Проводка

УСЛОВНЫЕ ОБОЗНАЧЕНИЯ НА ПРОДУКТЕ



Внимание



Перед использованием прибора внимательно ознакомьтесь с данной инструкцией.



Следует надевать средства защиты органов слуха



Используйте средства защиты органов зрения



Не подвергайте инструмент воздействию дождя и не используйте в условиях повышенной влажности.



Помните об опасности, которую представляют собой отбрасываемые устройством или вылетающие из-под него предметы. Не допускайте приближения посторонних лиц, особенно детей и домашних животных к рабочей зоне ближе чем на 15 м



Берегитесь острых зубцов. Зубцы продолжают вращаться после выключения двигателя. Перед обслуживанием извлеките изоляционный ключ.



Не производите работы на склонах с углом наклона более 15°. Двигайтесь с изделием поперек поверхности склонов, но не вверх и не вниз.



Рабочая ширина: 35 см



Отработанная электротехническая продукция должна уничтожаться вместе с бытовыми отходами. Утилизируйте, если имеется специальное техническое оборудование. По вопросам утилизации проконсультируйтесь с местным органом власти или предприятием розничной торговли.



Настоящий инструмент отвечает всем официальным стандартам страны ЕС, в которой он был приобретен.



Знак Евразийского Соответствия



Украинский знак стандартизации



Гарантированный уровень звуковой мощности, указанный на настоящей табличке, составляет 95 дБ.

УСЛОВНЫЕ ОБОЗНАЧЕНИЯ В ДАННОМ РУКОВОДСТВЕ



Детали или принадлежности, приобретаемые отдельно



Примечание



Осторожно

Следующие сигнальные слова и значения предназначены, чтобы объяснить уровни риска, связанного с этим изделием.

⚠ ОПАСНО

Указывает неизбежно опасную ситуацию, которая, если не избежать, кончится смертельным или серьезным ущербом.

⚠ ОСТОРОЖНО

Указывает потенциально опасную ситуацию, которая, если не избежать, может кончиться смертельным или серьезным ущербом.

⚠ ПРЕДОСТЕРЕЖЕНИЕ

Указывает потенциально опасную ситуацию, которая, если не избежать, может кончиться малым или уменьшенным ущербом.

ПРЕДОСТЕРЕЖЕНИЕ

Употребляется без предупреждающего знака
Указывает на ситуацию, которая может привести к повреждению имущества.

Транспортировка:

Категорически не допускается падение и любые механические воздействия на упаковку при транспортировке.

При разгрузке/погрузке не допускается использование любого вида техники, работающей по принципу зажима упаковки.

Хранение:

Необходимо хранить в сухом месте.

Необходимо хранить вдали от источников повышенных температур и воздействия солнечных лучей.

При хранении необходимо избегать резкого перепада температур.

Хранение без упаковки не допускается.

Срок службы изделия:

Срок службы изделия составляет 5 лет.

Не рекомендуется к эксплуатации по истечении 5 лет хранения с даты изготовления без предварительной проверки.

Дата изготовления (код даты) отштампован на поверхности корпуса изделия.

Пример:

W17 Y2015, где Y2015 - год изготовления

W17 – неделя изготовления

Определить месяц изготовления можно согласно приведенной ниже таблице, на примере 2015 года.

Обратите внимание! Количество недель в месяце различается от года в год.

Месяц	Январь	Февраль	Март	Апрель	Май	Июнь	Июль	Август	Сентябрь	Октябрь	Ноябрь	Декабрь	Год
Неделя	01	05	09	14	18	22	27	31	36	40	44	49	2015
	02	06	10	15	19	23	28	32	37	41	45	50	
	03	07	11	16	20	24	29	33	38	42	46	51	
	04	08	12	17	21	25	30	34	39	43	47	52	
	05	09	13	18	22	26	31	35	40	44	48	53	
			14			27							



Bezpieczeństwo, efektywność i niezawodność były czynnikami o najwyższym priorytecie w trakcie projektowania Państwa wertykulatora lub aeratora akumulatorowego.

PRZEZNACZENIE URZĄDZENIA

Wertykulator lub aerator akumulatorowy przeznaczony jest do stosowania wyłącznie na wolnym powietrzu. Podczas wertykulacji lub aeracji wszystkie cztery koła powinny stykać się z podłożem.

Produkt wyposażony jest w noże wertykulacyjne i przeznaczony do wertykulacji trawników w warunkach domowych.

Produkt wyposażony jest w przystawkę do aeracji i przeznaczony do wykonywania otworów w glebie w celu zmniejszenia poziomu jej zagęszczenia.

Produkt jest sterowanym przez pieszego operatora wertykulatorem przeznaczonym do ręcznego pchania. Produktu nie należy ciągnąć ani nie należy na nim jeździć. Nie należy stosować go w celu innym niż wertykulacja przydomowych trawników.

Nie używać do żadnych innych celów.

OGÓLNE ZASADY BEZPIECZEŃSTWA DOTYCZĄCE URZĄDZEŃ ELEKTRYCZNYCH

⚠ OSTRZEŻENIE

Podczas używania tego urządzenia należy przestrzegać odpowiednich zasad bezpieczeństwa. Aby zapewnić bezpieczeństwo sobie i osobom postronnym, przed przystąpieniem do użytkowania urządzenia należy zapoznać się z niniejszą instrukcją. Niniejszą instrukcję należy przechowywać w bezpiecznym miejscu do późniejszego użytku.

⚠ OSTRZEŻENIE

Używać produktu wyłącznie z akumulatorami wymienionymi w niniejszej instrukcji. W przypadku korzystania z urządzeń akumulatorowych należy zawsze przestrzegać podstawowych zasad bezpieczeństwa w celu ograniczenia ryzyka pożaru, wycieku elektrolitu z akumulatorów oraz obrażeń ciała.

BEZPIECZEŃSTWO OSOBISTE

- Produkt może doprowadzić do amputacji dłoni i stóp, a ponadto może miotać przedmiotami. Nieprzestrzeganie wszelkich zasad bezpieczeństwa grozi poważnym zranieniem lub śmiercią.
- Należy zapoznać się z przyrządami sterowania oraz zasadami prawidłowej obsługi produktu.
- Nie wolno pozwalać obsługiwać, czyścić ani konserwować tego urządzenia dzieciom lub osobom o ograniczonych zdolnościach fizycznych, sensorycznych lub umysłowych ani osobom, które nie przeczytały tych instrukcji. Lokalne przepisy mogą ograniczać dopuszczalny wiek operatora. Należy dopilnować, aby dzieci nie bawiły się produktem.

- Podczas eksploatacji produktu należy być czujnym, obserwować to, co się robi i zachować rozsądek. Nie wolno obsługiwać tego urządzenia w stanie zmęczenia, choroby, będąc pod wpływem alkoholu, środków odurzających lub lekarstw. Utrata koncentracji podczas pracy urządzenia może spowodować poważne obrażenia ciała.
- Nosić ciężkie, długie spodnie, długie rękawy, a także solidne, antypoślizgowe obuwie. Nie nosić krótkich spodni i sandałów, ani nie pracować z bosymi stopami. Unikać zakładania luźnej odzieży, ze sznurkami lub krawatami.
- Podczas pracy należy mieć założone okulary ochronne z osłonami bocznymi.
- Nie wychylać się nadmiernie. Zawsze należy pewnie stać na ziemi, szczególnie przy poruszaniu się na zboczach. Stojąc, należy zachować stabilność i równowagę. Podczas pracy należy chodzić, nie wolno biegać.
- Produkt należy prowadzić w poprzek zbocza, a nie pod górę lub z góry. Zachować szczególną ostrożność podczas zmiany kierunku jazdy na pochyłym terenie.
- Nie używać produktu w pobliżu urwisk, rowów, zbyt stromych zboczy lub nabrzeży. Brak pewnego oparcia dla stóp grozi poślizgiem i upadkiem.

OTOCZENIE ROBOCZE

- Nie wolno używać tego urządzenia, gdy w pobliżu znajdują się osoby postronne, szczególnie dzieci lub zwierzęta.
- Przedmioty uderzone przez noże wertykulatora mogą powodować poważne obrażenia ciała. Dokładnie sprawdzić obszar, na którym będzie używane urządzenie i usunąć wszystkie kamienie, gałęzie, przewody, kości, zabawki i inne przedmioty obcego pochodzenia. Należy pamiętać, że żyłka lub linka może zaplać się o ostrze.
- Produkt należy obsługiwać wyłącznie przy świetle dziennym lub przy odpowiednim sztucznym oświetleniu.
- Nie używać urządzenia w atmosferze wybuchowej, np. w obecności łatwopalnych cieczy, gazów i pyłów. Narzędzie może wytwarzać iskry, co może spowodować zapłon pyłu lub oparów.
- Nie używać narzędzia na mokrej trawie lub podczas deszczu.
- Nie uruchamiać maszyny na powierzchni żwirowej lub utwardzonej, gdzie wyrzucany materiał może spowodować zranienie.
- Produkt można stosować wyłącznie na równej powierzchni, pchając go dwoma dłońmi opartymi na uchwycie.
- Należy unikać stosowania wertykulatora przy złej pogodzie, zwłaszcza gdy istnieje ryzyko uderzenia pioruna.
- Należy pamiętać, że operator lub użytkownik jest odpowiedzialny za spowodowanie wypadku lub zagrożenia bezpieczeństwa osób i mienia.
- Może dojść do tragicznego wypadku, jeśli operator nie zauważy obecności dzieci. Nie wolno nigdy zakładać, że dzieci pozostają tam, gdzie je ostatnio widziano.

EN
FR
DE
ES
IT
NL
PT
DA
SV
FI
RU
NO
PL
CS
HU
RO
LV
LT
ET
HR
SL
SK
BG
UK
TR





- Dzieci należy trzymać z dala od miejsca pracy i pod czujnym nadzorem odpowiedzialnej osoby dorosłej innej niż operator, zachować czujność i wyłączyć produkt, jeśli dziecko znajdzie się w tym miejscu.
- Zachować szczególną ostrożność w trakcie zbliżania się do narożników ograniczających widoczność, krzewów, drzew lub innych obiektów, które mogą ograniczać widoczność, w tym zwisających roślin.

UŻYTKOWANIE I OBSŁUGA AKUMULATORA

- Należy przeczytać, zrozumieć i zawsze przestrzegać instrukcji bezpieczeństwa dostarczonych z akumulatorem i ładowarką. W przeciwnym razie może dojść do porażenia prądem, pożaru lub innej niebezpiecznej sytuacji. Wszystkie instrukcje należy przechowywać razem w bezpiecznym miejscu w celu wykorzystania w przyszłości.
- Urządzenia akumulatorowe nie muszą być podłączone do gniazda elektrycznego i w związku z tym zawsze są gotowe do pracy. Jeśli produkt nie jest używany, należy wyjąć klucz zabezpieczający.
- Przed rozpoczęciem regulacji, czyszczenia lub usuwania materiału z urządzenia należy wyjąć akumulator.
- Przed umieszczeniem akumulatora upewnić się, że klucz odłącznika został wyciągnięty.
- Akumulator może być ładowany wyłącznie za pomocą ładowarki dostarczonej przez producenta. Użycie ładowarki z niezgodnym akumulatorem może być przyczyną pożaru. Do ładowania akumulatora stosować wyłącznie zalecaną ładowarkę.
- Używać wyłącznie akumulatora przeznaczonego do tego urządzenia. Używanie innych akumulatorów może spowodować pożar, porażenie prądem lub obrażenia ciała.
- Gdy akumulator nie jest używany, przechowywać go z dala od innych metalowych przedmiotów, np. spinaczy, monet, kluczy, gwoździ, śrub lub innych małych metalowych przedmiotów, które mogłyby utworzyć połączenie między stykami, prowadząc do zwarcia. Zwarcie styków akumulatora może spowodować iskrzenie, oparzenia, pożar lub eksplozję.
- Nie umieszczać urządzeń akumulatorowych ani samych akumulatorów w pobliżu ognia lub źródeł ciepła. Przestrzeganie tego zalecenia pozwoli zmniejszyć ryzyko eksplozji i zranienia.
- Nie otwierać i nie modyfikować akumulatora. Wyciekający elektrolit jest czynnikiem korozyjnym i może powodować urazy oczu lub skóry. W razie połknięcia może być toksyczny.
- Chronić akumulator przed wilgocią i wodą. Nie ładować akumulatora w wilgotnym lub mokrym miejscu. Przestrzeganie tej zasady zmniejsza ryzyko porażenia prądem.
- W przypadku uszkodzenia i nieprawidłowego użytkowania akumulatora może dojść do emisji oparów. Należy udać się na świeże powietrze i w razie dolegliwości uzyskać pomoc medyczną. Opary mogą podrażnić układ oddechowy.

WERTYKULATOR I AERATOR – OSTRZEŻENIA DOTYCZĄCE BEZPIECZEŃSTWA

- Noże produktu są ostre. Przy montażu, wymianie, czyszczeniu lub kontroli dokręcenia śrub należy zachować szczególną ostrożność i nosić grube rękawice ochronne.
- Należy sprawdzić, czy wszystkie wkręty, nakrętki, śruby i inne elementy mocujące są prawidłowo zamocowane, jak również czy osłony i sita znajdują się na swoim miejscu. Wymienić uszkodzone lub nieczytelne etykiety.
- Wymienić zużyte lub uszkodzone części przed rozpoczęciem pracy z produktem.
- Przed rozpoczęciem wertykulacji należy zamontować pojemnik na odpady. Pojemnik na odpady należy opróżnić, gdy jest pełny, i ponownie zamontować przed wznowieniem pracy.
- Produkt można uruchomić wyłącznie wtedy, gdy użytkownik znajduje się za uchwytami w bezpiecznej strefie użytkownika. Nie wolno uruchamiać produktu, jeśli:
 - wszystkie cztery koła nie znajdują się na ziemi
 - kanał wyrzutu odpadów jest odsłonięty, a ponadto nie jest chroniony przez pojemnik na odpady oraz pokrywę kanału wyrzutu odpadów.
- Nigdy nie wolno obsługiwać produktu, jeśli włącznik/wyłącznik na uchwycie nie działa prawidłowo i nie zapewnia prawidłowego uruchamiania i zatrzymywania produktu.
- Nigdy nie należy podejmować prób blokowania wyłączników w położeniu oznaczającym włączenie; jest to bardzo niebezpieczne.
- Nie przeciążać urządzenia. Urządzenie będzie najwydajniejsze i najbezpieczniejsze w obsłudze, jeśli będzie używane zgodnie z zamierzonymi parametrami pracy.
- Na czas przekraczania powierzchni zwirowych należy zatrzymać obroty wałka nożowego wertykulatora.
- Należy zachować szczególną ostrożność podczas cofania lub ciągnięcia produktu do siebie.
- Na czas przechYLENIA produktu w celu transportu na powierzchniach innych niż trawa, a także na czas transportu produktu do miejsca pracy i z takiego miejsca, należy zatrzymać wałek nożowy.
- Nigdy nie należy używać produktu z uszkodzonymi osłonami lub bez zamontowanych zabezpieczeń, na przykład deflektorów i/lub pojemnika na odpady.





- Nie należy przechylać produktu podczas włączania silnika, chyba że urządzenie musi zostać przechylone w celu uruchomienia. Jeśli jest to absolutnie konieczne, można podnieść tylko tę część, która znajduje się z dala od operatora. Przed odchyleniem maszyny z powrotem na podłoże należy zawsze upewnić się, że obie dłonie znajdują się w pozycji roboczej.
- Ostrożnie włączyć produkt zgodnie z instrukcją i trzymać dłonie oraz stopy z dala od noży. Nie umieszczać rąk lub nóg w pobliżu lub pod częściami obrotowymi. Należy cały czas trzymać się z dala od otworów wyrzutowych.
- Nigdy nie wolno podnosić ani przenosić produktu, gdy silnik pracuje.
- Wylączyć produkt i odłączyć go od źródła zasilania. Upewnić się, że wszystkie elementy ruchome zostały całkowicie zatrzymane:
 - w przypadku pozostawiania produktu bez nadzoru (również w przypadku opróżniania kosza).
 - przed oczyszczeniem mechanizmu z blokujących go resztek lub udrożnieniem kanału wyrzutowego
 - przed sprawdzeniem, czyszczeniem i użytkowaniem produktu,
 - po uderzeniu obcego obiektu; należy sprawdzić urządzenie pod kątem uszkodzeń i w razie potrzeby dokonać niezbędnych napraw przed uruchomieniem i kontynuowaniem pracy,
- Jeśli produkt zaczyna anormalnie wibrować, natychmiast sprawdzić:
 - sprawdzić na oznaki uszkodzeń
 - wymienić lub naprawić wszystkie uszkodzone elementy
 - sprawdzić, czy nie ma obluźwionych elementów i w razie potrzeby dokręcić je
- Unikać dziur, korzeni, skał, wybrzuszeń terenu i innych ukrytych w trawie obiektów. Nierówny teren grozi poślizgiem i upadkiem.
- Natychmiast zwolnić uchwyt i trzymać się z dala od produktu, jeżeli:
 - produkt się zapali;
 - osłona i/lub obudowa pęknie;
 - pojawiają się nietypowe odgłosy.
 - dojdzie do wypadku lub awarii;
- Podczas montażu lub składania uchwytu zawsze należy upewnić się, że kabel sterowania silnika nie jest przytrzaśnięty, zakleszczony lub uszkodzony w inny sposób.

⚠ OSTRZEŻENIE

Przed zdjęciem lub zamontowaniem pojemnika na odpady należy upewnić się, że wałek nożowy całkowicie się zatrzymał.

⚠ OSTRZEŻENIE

Nie dotykać ruchomych części niebezpiecznych, zanim produkt nie zostanie odłączony od źródła zasilania, a ruchome części niebezpieczne nie zatrzymają się całkowicie.

AKUMULATOR — DODATKOWE OSTRZEŻENIA DOTYCZĄCE BEZPIECZEŃSTWA

⚠ OSTRZEŻENIE

Aby uniknąć niebezpieczeństwa pożaru, obrażeń lub uszkodzeń produktu na skutek zwarcia, nie wolno zanurzać narzędzia, akumulatora wymiennego ani ładowarki w cieczach i należy zatroszczyć się o to, aby do urządzeń i akumulatorów nie dostały się żadne ciecze. Zwarcie spowodować mogą korodujące lub przewodzące ciecze, takie jak woda morska, określone chemikalia i wybielacze lub produkty zawierające wybielacze.

ZABEZPIECZENIE PRZED PRZECIĄŻENIEM

Produkt posiada urządzenie zabezpieczające przed przeciążeniem. W przypadku wykrycia przeciążenia produkt automatycznie się wylączy. W przypadku wyzwolenia zabezpieczenia przed przeciążeniem należy poczekać od 5 do 10 minut, aż silnik ostygnie.

Wylączyć produkt i odłączyć go od źródła zasilania. Noże są ostre — przed dotknięciem należy założyć wytrzymałe rękawice. Należy upewnić się, że wałek nożowy może się swobodnie obracać i nie jest zakleszczony lub zbyt mocno dokręcony.

Gdy silnik ostygnie, podłączyć wtyczkę do źródła zasilania i włączyć produkt. Nacisnąć przycisk Start, a następnie przycisk włączania/wyłączania, aby uruchomić produkt. Jeśli produkt nie uruchamia się, serwisowanie należy powierzać wyłącznie autoryzowanemu serwisowi.

WERTYKULACJA – WSKAZÓWKI OGÓLNE

- Głębokość nacinania należy dostosować do potrzeb trawnika i długości trawy.
- Jeśli na trawniku występuje problem z mchem, na tydzień przed planowaną wertykulacją należy skosić trawnik i zastosować środek do usuwania mchu.
- Kilka dni przed wertykulowaniem należy podlać trawnik, tak by był wilgotny, ale nie nadmiernie mokry.

TRANSPORT I PRZECHOWYWANIE

- Usunąć z produktu wszelkie zanieczyszczenia. Należy przechowywać urządzenie w chłodnym, suchym i dobrze wentylowanym miejscu, które jest niedostępne dla dzieci. Należy trzymać produkt z dala od czynników powodujących korozję, takich jak ogrodnicze środki chemiczne czy sól do odmrzania. Nie przechowywać na zewnątrz.
- W przypadku transportu produktu należy zabezpieczyć go przed przemieszczaniem się lub upadkiem, aby nie dopuścić do obrażeń ciała lub uszkodzenia urządzenia.

⚠ OSTRZEŻENIE

Należy zachować szczególną ostrożność w przypadku podnoszenia lub przechylania maszyny na potrzeby konserwacji, czyszczenia, przechowywania lub transportu. Noże są ostre — wszystkie części ciała należy trzymać z dala od wałka nożowego, gdy jest on odsłonięty.

EN
FR
DE
ES
IT
NL
PT
DA
SV
FI
RU
NO
PL
CS
HU
RO
LV
LT
ET
HR
SL
SK
BG
UK
TR





TRANSPORTOWANIE AKUMULATORÓW LITOWYCH

Akumulatory należy transportować zgodnie z lokalnymi i krajowymi przepisami i regulacjami.

Należy postępować zgodnie z wszystkimi specjalnymi wymaganiami dotyczącymi pakowania i etykietowania akumulatorów podczas transportu przez stronę trzecią. Upewnij się, że żadne akumulatory nie zetkną się z innymi akumulatorami lub materiałami przewodzącymi podczas transportu; w tym celu należy zabezpieczyć odkryte złącza nieprzewodzącymi nakładkami izolacyjnymi lub taśmą izolacyjną. Nie należy transportować pękniętych ani nieszczelnych akumulatorów. Szczegółowe porady można uzyskać w firmie spedycyjnej.

KONSERWACJA

⚠ OSTRZEŻENIE

Należy stosować wyłącznie oryginalne części zamienne, akcesoria oraz przystawki producenta. W przeciwnym razie może dość do obrażeń ciała, niskiej wydajności oraz do unieważnienia gwarancji.

⚠ OSTRZEŻENIE

Serwisowanie wymaga wyjątkowej staranności i wiedzy. Może być wykonywane wyłącznie przez wykwalifikowany personel serwisowy. Serwisowanie należy powierzać wyłącznie autoryzowanemu serwisowi. Do serwisowania należy stosować wyłącznie oryginalne części zamienne producenta.

- Gdy produkt zostanie zatrzymany w celu wykonania czynności serwisowych, kontroli, przechowywania lub wymiany akcesoriów, należy wyłączyć źródło zasilania, odłączyć produkt od źródła zasilania i upewnić się, że wszystkie ruchome części zostały całkowicie zatrzymane. Odczekaj, aż maszyna ostygnie przed przystąpieniem do dokonywania kontroli, regulacji itp. Produkt należy starannie konserwować i utrzymywać w czystości.
- Należy często sprawdzać, czy pojemnik na odpady nie jest zużyty, a także czy nie ma dziur lub innych uszkodzeń.
- Możesz wykonywać czynności regulacyjne i naprawcze opisane w tej instrukcji obsługi. W przypadku innych napraw lub pytań należy zwrócić się o pomoc do autoryzowanego punktu serwisowego.
- Ze względów bezpieczeństwa, należy wymieniać elementy zużyte lub uszkodzone. Używać wyłącznie oryginalnych części zamiennych i akcesoriów.
- Po każdym użyciu należy wyczyścić produkt miękką, suchą szmatką. Każda uszkodzona część musi zostać naprawiona lub wymieniona w autoryzowanym serwisie.
- Systematycznie sprawdzać, czy wszystkie nakrętki, wkręty i śruby są dobrze dokręcone, aby upewnić się, że produkt jest w bezpiecznym stanie.
- Podczas regulacji produktu należy zachować ostrożność, aby zapobiec uwięzieniu palców pomiędzy ruchomymi nożami i nieruchomymi częściami produktu.
- Podczas serwisowania wałka nożowego należy pamiętać, że można go obracać nawet przy wyłączonym źródle zasilania.

- Noże produktu są ostre. Przy montażu, wymianie, czyszczeniu lub kontroli dokręcenia śrub należy zachować szczególną ostrożność i nosić grube rękawice ochronne.

USUWIENIE ZATORÓW

- Wyłączyć produkt i odłączyć go od źródła zasilania.
- Przed sprawdzeniem stanu i usuwaniem zablokowanych materiałów zawsze należy zakładać grube rękawice ochronne.
- Noże są ostre, a przyczyną blokady również może być ostry przedmiot.
- Zdemontować pojemnik na odpady, sprawdzić, czy nie ma przeszkód, a także ostrożnie je usunąć.
- Sprawdzić kanał wyrzutu trawy pod kątem braku blokad i ostrożnie go oczyścić.
- Obrócić produkt na bok i sprawdzić jego spód oraz obszar wokół noży. Ostrożnie usunąć wszelkie znalezione blokady. Należy pamiętać, że wałek nożowy może obracać się w trakcie czyszczenia.

RYZIKO ZWIĄZANE Z UŻYTKOWANIEM

Nawet jeśli produkt jest używany zgodnie z zaleceniami, nadal nie jest możliwe wyeliminowanie określonych czynników ryzyka. Następujące zagrożenia mogą wystąpić podczas używania urządzenia i operator powinien zwracać szczególną uwagę na poniższe punkty:

- Urazy ciała spowodowane przez wibrację
 - Zawsze należy używać odpowiedniego narzędzia do danej pracy. Stosować wyznaczone uchwyty. Ograniczać czas pracy i narażenie na kontakt z pracującym urządzeniem.
- Urazy ciała spowodowane hałasem
 - Narażenie na hałas może spowodować zaburzenia słuchu. Należy stosować środki ochrony słuchu i ograniczyć czas narażenia na hałas.
- obrażenia wskutek kontaktu z zębami
- Urazy powodowane przez miotane przedmioty

OGRANICZENIE RYZYKA

Badania dowodzą, że wibracje powodowane przez narzędzia ręczne mogą wywoływać u niektórych osób objawy syndromu Raynauda. Typowe objawy to mrowienie, drętwienie i blednięcie palców, widoczne zwykle po wystawieniu na działanie zimna. Uważa się, że czynniki dziedziczne, wystawienie na działanie zimna i wilgoci, dieta, palenie papierosów i przyjęte zwyczaje przyczyniają się do rozwoju tych objawów. Istnieją środki zaradcze, które może podjąć operator narzędzia, aby zmniejszyć efekt wibracji:

- Zadbaj w niskich temperaturach o ciepłotę własnego ciała, zakładając odpowiednie ubranie. Podczas obsługi produktu należy nosić rękawice, aby dłonie i nadgarstki były ciepłe. Wiadomo, że niskie temperatury są główną przyczyną powstawania objawu Raynauda.
- Podczas przerw w pracy należy wykonywać ćwiczenia poprawiające krążenie krwi..
- Podczas pracy robić częste przerwy. Ograniczyć ekspozycję w ciągu dnia.

W razie doświadczenia dowolnego z wymienionych



objawów, należy niezwłocznie zaprzestać użytkowania tego urządzenia i skontaktować się z lekarzem.

⚠ OSTRZEŻENIE

Długotrwałe użytkowanie narzędzia może spowodować obrażenia ciała lub nasilić dolegliwości zdrowotne. W przypadku używania narzędzia przed dłuższy czas należy pamiętać o regularnych przerwach.

ZAPOZNAJ SIĘ ZE SWOIM PRODUKTEM

Patrz str. 134.

1. Przełącznik
2. Uchwyty
3. Spusty
4. Górny pałąk uchwyty
5. Pokrętła
6. Klucz imbusowy
7. Noże
8. Kluczyk włącznika
9. Koła tylne
10. Koła przednie
11. Akumulator
12. Ładowarka
13. Przystawka do aeracji
14. Dźwignia regulacji wysokości
15. Pokrywa baterii
16. Drzwi tylne
17. Kosz na odpadki
18. Dolny pałąk uchwyty
19. Przewody

SYMBOLE UMIESZCZONE NA PRODUKCIE



Zagrożenie bezpieczeństwa



Przed uruchomieniem urządzenia prosimy uważnie przeczytać instrukcję.



Nosić środki ochrony słuchu



Zakładać środki ochrony wzroku



Nie wystawiać urządzenia na działanie deszczu ani nie używać w miejscach o dużej wilgotności.



Uwaga na odrzucone przedmioty. Wszystkie osoby postronne, a szczególnie dzieci i zwierzęta, muszą znajdować się w odległości przynajmniej 15 metrów od miejsca pracy.



Uwaga na ostre noże!
Po wyłączeniu silnika noże nadal się obracają.
Przed rozpoczęciem konserwacji wyjąć kluczyk rozłączający.



Nie używać na pochylnościach większych niż 15°. Produkt należy prowadzić w poprzek zbocza, a nie pod górę lub z góry.



Szerokość robocza 35 cm



Zużyte produkty elektryczne nie powinny być utylizowane z odpadami domowymi. Prosimy poddawać recyklingowi w odpowiednich miejscach. Informacje o właściwych metodach recyklingu można uzyskać u władz lokalnych lub sprzedawcy.



Produkt spełnia wszystkie wymagania norm w kraju należącym do Unii Europejskiej, gdzie produkt został zakupiony.



Oznaczenie zgodności EurAsian



Ukraiński znak zgodności

001



Podany na tej etykiecie gwarantowany poziom dźwięku to 95 dB.

SYMBOLE STOSOWANE W NINIEJSZEJ INSTRUKCJI



Części lub akcesoria sprzedawane osobno



Uwaga



Ostrzeżenie!

Poniższe symbole i nazwy które im nadano, pozwalają wyjaśnić różne poziomy ryzyka związanego z używaniem tego narzędzia.

⚠ NIEBEZPIECZEŃSTWO

Wskazuje na realne zagrożenie, które może spowodować śmierć lub poważne zranienie, jeżeli się nie uniknie tego niebezpieczeństwa.

⚠ OSTRZEŻENIE

Wskazuje na potencjalne zagrożenie, które może spowodować śmierć lub poważne zranienie, jeżeli się nie uniknie tego niebezpieczeństwa.

⚠ UWAGA

Wskazuje na potencjalne zagrożenie, które może spowodować mniejsze lub bardziej poważne zranienie, jeżeli się nie uniknie tego niebezpieczeństwa.

UWAGA

Bez symbolu ostrzeżenia
Sytuacja, która może grozić uszkodzeniem mienia.



V provedení tohoto akumulátorového rozrývače nebo provzdušňovače hrají hlavní roli bezpečnost, provozní vlastnosti a spolehlivost.

ZAMÝŠLENÉ POUŽITÍ

Tento akumulátorový rozrývač nebo provzdušňovač je určen pouze pro venkovní používání. Během rozrývání nebo provzdušňování se musí všechna čtyři kola dotýkat země.

Tento výrobek osazený rozrývacími hroty je určen k rozrývání zahradních trávníků.

Tento výrobek osazený provzdušňovacím nástavcem slouží k vytváření otvorů v zemině, aby snížil její zhutnění.

Pojezd tohoto rozrývače na trávniku je ovládán chůzí při ručním tlačení. Nepojíždějte s rozrývačem tažením a nejezděte na něm. Nepoužívejte jej na rozrývání ničeho jiného než zahradních trávníků.

Přístroj nepoužívejte ji k jiným účelům.

OBECNÁ BEZPEČNOSTNÍ VAROVÁNÍ K ELEKTRICKÝM NÁSTROJŮM

⚠ VAROVÁNÍ

Při používání výrobku musí být dodrženy bezpečnostní předpisy. Pro vaši vlastní bezpečnost i bezpečnost kolemjdoucích si přečtěte tento návod k obsluze. Tyto pokyny uschovejte pro příští použití.

⚠ VAROVÁNÍ

Výrobek použijte pouze s baterií uvedenou v této příručce. Pokud používáte elektricky poháněné přístroje, měly byste dodržovat základní bezpečnostní předpisy za účelem snížení nebezpečí požáru, elektrického úrazu nebo osobní újmy.

OSOBNÍ BEZPEČNOST

- Tato sekačka na trávu může amputovat končetiny a odmršťovat předměty. Pochybení při dodržování všech bezpečnostních pokynů tak může způsobit úraz nebo usmrcení.
- Seznamte se s ovládáním a řádným používáním nástroje.
- Produkt není určen pro používání osobami, včetně dětí se sníženými tělesnými, smyslovými nebo duševními schopnostmi nebo s nedostatkem zkušeností a znalostí, pokud neprošli školením ohledně používání, čištění či údržby. Místní předpisy mohou omezovat dobu obsluhy. Dohlédněte, aby si děti se spotřebičem nehrály.
- Buďte ve střehu, hlídejte, co děláte a používejte zdravý rozum při provozu tohoto výrobku. Nepoužívejte, pokud jste unaveni nebo pod vlivem drog, alkoholu nebo léků. Chvilě nepozornosti při práci s tímto výrobkem může zapříčinit vážná osobní poranění.
- Používejte pevné dlouhé kalhoty, dlouhý rukáv a pevnou protiskluzovou obuv. Nenoste krátké kalhoty ani sandály, nebuďte naboso. Zamezte nošení volných

oděvů, nebo které mají vložící šňůrky nebo pásky.

- Vždy noste bezpečnostní brýle s postranními štítky.
- Nepřečeňujte se. Vždy na svazích zabezpečte své pevné postavení. Udržujte bezpečné postavení a rovnováhu. Choďte, nikdy neběhejte.
- Na strmých svazích používejte výrobek po vrstevnicích, nikdy ve směru nahoru a dolů. Je třeba opatrnosti, když měníte směr na svahu.
- Nesečte v blízkosti srázů, prudkých svahů, příkopů nebo hrází. Nedostatečné postavení může způsobit uklouznutí a pád.

PRACOVNÍ PROSTŘEDÍ

- Nikdy nepracujte s přístrojem, když jsou v blízkosti osoby, obzvláště děti nebo domácí zvířata.
- Předměty, do kterých narazí hroty rozrývače, mohou způsobit vážný úraz. Řádně prohleďte oblast, kde se má nástroj používat a odstraňte všechny kameny, kůly, kovy dráty, kosti, hračky a cizí předměty. Nezapomeňte, že se může zamotat do žacího zařízení řetěz nebo drát.
- Používejte výrobek pouze ve dne nebo v dobrém umělém osvětlení.
- Nepracujte s tímto strojem ve výbušných prostředích, například v přítomnosti hořlavých kapalin, plynů nebo prachu. Nástroj vytváří jiskry, které mohou zapálit prach nebo výpary.
- Nepoužívejte stroj v dešti nebo ve vlhké trávě.
- Neprovazujte stroj na dlážděné nebo šterkové ploše, kdy by mohl vystřelený materiál způsobit poranění.
- Rozrývač používejte pouze na rovném povrchu při jeho tlačení oběma rukama a s polohou obsluhy za madlem.
- Rozrývač nepoužívejte za špatného počasí, obzvláště pokud hrozí zasažení bleskem.
- Uživatel nebo obsluha tohoto zahradnického nástroje je zodpovědná za nehody nebo nebezpečí způsobená na jiné osobě nebo jejich majetku.
- Mohou nastat tragické nehody, pokud není obsluha upozorněna na přítomnost dětí. Nikdy nespolehejte na to, že děti zůstanou tam, kde jste je naposledy viděli.
- Udržujte děti mimo pracovní prostor a pod kontrolou zodpovědné dospělé osoby, která rozrývač nepoužívá. Buďte ve střehu a pokud se dostane do pracovního prostoru dítě, rozrývač vypněte.
- Dbejte zvýšené pozornosti při sekání nepřehledných koutů, keřů, stromů a jiných předmětů včetně převislých keřů, které vám mohou zaclánět ve výhledu.

POUŽITÍ A PÉČE O NÁSTROJ NA BATERIE

- Přečtěte, pochopte a vždy dodržujte bezpečnostní pokyny dodané k akumulátoru a nabíječe. Nedodržování těchto pokynů může způsobit úraz elektrinou, požár či jiná nebezpečí. Tento návod k používání uložte na bezpečném místě k pozdějšímu nahlížení.
- Přístroje na akumulátory se nepřipojují do elektrické sítě; proto jsou vždy v provozním stavu. Odeberte odpojovací klíč, když nepracujete s výrobkem.
- Před prováděním jakékoliv údržby, seřizováním,





odstraňováním materiálu nebo před čištěním výrobku vytáhněte akumulátor.

- Zkontrolujte, že je odpojovací klíč před vložením akumulátoru vyjmut.
- Dobíjejte akumulátor pouze nabíječkou určenou výrobcem. Použití nekompatibilní baterie s nabíječkou může způsobit nebezpečí požáru. Akumulátor používejte pouze s nabíječkou v seznamu.
- Výrobek používejte pouze s přesně určeným akumulátorem. Použití jakéhokoliv jiného akumulátoru může způsobit nebezpečí poranění, úrazu elektřinou a požáru.
- Pokud akumulátor nepoužíváte, uchovávejte jej mimo kovové předměty jako svorky pro papír, mince, klíče, hřebíky, šrouby nebo jiné malé kovové předměty, které mohou vytvořit propojení jednoho vývodu s druhým. Zkratování svorek akumulátorové sady může vést k jiskření, popáleninám, požáru nebo výbuchu.
- Neumísťujte přístroje na baterie nebo jeho baterie blízko ohně nebo tepla. Tím se zvyšuje riziko výbuchu a možného zranění.
- Baterii nerozebírejte ani nedeformujte. Uniklý elektrolýt je korozivní a může poškozovat oči neb kůži. Může ublížit, spolkně-li se.
- Nevystavujte akumulátor působení vlhkosti a vody. Nástroj na baterie nenabíjejte ve vlhkých ani mokřých prostředích. Tím se sníží riziko elektrického šoku.
- V případě poškození a nespřávného používání baterie mohou unikat výpary. Zajistěte čerstvý vzduch a v případě komplikací vyhledejte lékařskou pomoc. Výpary mohou dráždit dýchací systém.
- Nenechávejte akumulátorovou sadu uvnitř vozidla v horkém nebo chladném prostředí.
- Baterii nepalte.
- Za nevhodných podmínek může z baterie vytékat kapalina; zabraňte kontaktu. Pokud dojde k náhodnému kontaktu, omyjte vodou. Pokud kapalina přijde do kontaktu s očima, vyhledejte lékařskou pomoc. Kapalina vytečená z baterie způsobit podráždění nebo popáleniny.

BEZPEČNOSTNÍ UPOZORNĚNÍ K ROZRÝVAČI A PROVZDUŠŇOVAČI

- Hroty rozrývače jsou ostré. Buďte velmi opatrní a noste silné rukavice při výměně, čištění, upevňování či kontrole zajištění šroubu.
- Zkontrolujte, zda jsou řádně utaženy všechny vruty, matice, šrouby a další spojovací prvky a zda jsou správně umístěny ochranné kryty a clony. Vyměňte poškozené nebo nečitelné štítky.
- Z důvodu bezpečnosti měňte opotřebené nebo poškozené díly před provozem zařízení.
- Před zahájením rozrývání instalujte sběrnou nádobu. Při naplnění sběrné nádoby ji vyprázdněte a před pokračováním v rozrývání znovu nasadte.
- Výrobek se musí spouštět uživatelem za říditkami v bezpečné zóně obsluhy. Nikdy nezapínáte výrobek, pokud:
 - všechna čtyři kola se nedotýkají země

- výhoz není zakrytý a není chráněn sběrnou nádobou ani krytem vyhazovače.

- Nikdy nepoužívejte výrobek, pokud přepínač on/off (zap/vyp) na říditkách správně nespouští a nezastavuje produkt.
- Vypínače nikdy nearetujte v poloze zapnuto; je to velmi nebezpečné.
- Nepoužívejte nadměrnou sílu na nástroj. Nástroj bude svou práci provádět lépe a bezpečněji při určeném přísunu materiálu, pro který byl navržen.
- Při přejíždění šetrkovaného povrchu zastavte pohyb hrotů.
- Je třeba velké opatrnosti, když výrobek tlačíte nebo vracíte směrem k sobě.
- Pohyb hrotů zastavte, pokud je potřeba rozrývač naklonit při přejíždění jiných povrchů než zatvrzlých a při jeho přenášení.
- Rozrývač nikdy nepoužívejte s vadnými ochrannými kryty nebo štíty, ani bez ochranných zařízení, například bez nasazených deflektorů a/nebo sběrné nádoby.
- Během chodu motoru rozrývač nenaklápějte kromě nutnosti naklopení při spouštění. Je naprosto nutné zdvihnout pouze tu část, která je na vzdálené straně od obsluhy. Před vrácením rozrývače na zem musí být obě ruce vždy v provozní poloze.
- Rozrývače zapínejte opatrně podle pokynů, přičemž udržujte nohy a ruce z dosahu hrotů. Nemějte své ruce nebo nohy v blízkosti nebo pod rotujícími díly. Vždy udržujte výstupní otvory čisté.
- Nikdy výrobek nepřevracejte ani nepřenášejte, pokud je motor v chodu.
- Vypněte produkt a odpojte jej od elektrické sítě. Ujistěte se, že se zastavily všechny pohyblivé díly:
 - kdykoli necháte produkt bez dozoru (včetně likvidace posečené trávy).
 - před čištěním nánosů nebo vyprázdněním výhozu
 - před kontrolou, čištěním nebo prací na nástroji,
 - po nárazu cizího předmětu; prohlédněte přístroj na poškození a proveďte opravy před restartem a obsluhou stroje.
- Pokud výrobek začne nezvykle vibrovat, okamžitě zkontrolujte:
 - zjistěte škody
 - výměna a oprava všech poškozených dílů
 - zkontrolujte a utáhněte všechny volné části
- Vyhněte se dirám, vjetým kolejím, vyvýšeninám, kamenům nebo jiným skrytým předmětům. Nerovný terén může způsobit uklouznutí a pád.
- Madlo okamžitě pusťte a odstupte od rozrývače, jestliže:
 - začne rozrývač hořet
 - je ochranný kryt nebo zakrytování prasklé
 - ozve se nezvyklý zvuk
 - dojde k nehodě nebo zavadě
- Vždy se ujistěte, že kabel ovládání motoru není nikdy zachycen, přimáčknut nebo jinak poškozen během montáže nebo při skládání rukojeti.

EN
FR
DE
ES
IT
NL
PT
DA
SV
FI
NO
RU
PL
CS
HU
RO
LV
LT
ET
HR
SL
SK
BG
UK
TR



⚠ VAROVÁNÍ

Před odnímáním a nasazováním sběrné nádoby musí být pohyb hrotů zcela zastaven.

⚠ VAROVÁNÍ

Nedotýkejte se nebezpečných pohyblivých dílů, dokud není rozrývač odpojen od napájení a dokud se nebezpečné pohyblivé díly úplně nezastaví.

DOPLŇUJÍCÍ BEZPEČNOSTNÍ UPOZORNĚNÍ K BATERI

⚠ VAROVÁNÍ

Abyste zabránili nebezpečí požáru způsobeného zkratem, poraněním nebo poškozením výrobku, neponořujte nářadí, výměnnou baterii nebo nabíječku do kapalin a zajistěte, aby do zařízení a akumulátorů nevnikly žádné tekutiny. Korodující nebo vodivé kapaliny, jako je slaná voda, určité chemikálie a bělicí prostředky nebo výrobky, které obsahují bělidlo, mohou způsobit zkrat.

ZAŘÍZENÍ NA OCHRANU PROTI PŘETÍŽENÍ

Výrobek obsahuje zařízení na ochranu před přetížením. Při zjištění přetížení se výrobek automaticky vypne. Při spuštění jističe musíte nechat motor vychladit na 5 až 10 minut.

Vypněte produkt a odpojte jej od elektrické sítě. Hroty jsou ostré; před dotýkáním se hrotů si nasadte ochranné rukavice. Ujistěte se, že se hroty otáčejí volně, nejsou zaseknuté, ani se neotáčejí ztuhla.

Až motor vychladne, připojte zástrčku k napájecímu napětí a sekačku zapněte. Stiskněte tlačítko Start a pak tlačítko zapnout-vypnout (On-off) pro spuštění zařízení. Pokud se sekačka nespustí, nechte ji opravit, a to pouze v pověřeném servisním středisku.

OBECNÉ POKYNY K ROZRÝVÁNÍ

- Seřídte hloubku rozrývání podle potřeb trávníku a výšky trávy.
- Pokud trávník vykazuje problematický mech, týden před rozrýváním jej posečte a použijte přípravek na odstraňování mechu.
- Několik dní před rozrýváním trávník zalévejte tak, aby byl vlhký, ale ne příliš mokry.

TRANSPORT A SKLADOVÁNÍ

- Odstraňte z výrobku všechny cizí materiál. Ukládejte v chladných, suchých a dobře větraných prostorech, které nejsou přístupné dětem. Nářadí neuskładňujte v blízkosti žiravých látek, jako například v blízkosti zahrádkářských nebo zahradnických chemických přípravků nebo soli na zimní sypání komunikací. Neskladujte mimo budovu.

- Při transportu výrobku zajistěte proti pohybům nebo pádu, abyste zabránili poranění osob nebo poškození výrobku.

⚠ VAROVÁNÍ

Buďte při zvedání či nakládění pro transport, údržbu, čištění a skladování velmi opatrní. Hroty jsou ostré; nepřibližujte se žádnou částí těla k odkrytým hrotům.

TRANSPORT LITHIOVÝCH BATERÍ

Přenos baterií dle místních a národních opatření a předpisů.

Dodržujte všechny zvláštní požadavky na balení a značení při transportu baterií třetí stranou. Zajistěte, aby žádné baterie nepřišly do kontaktu s jinými bateriemi nebo vodivými materiály při transportu pomocí ochrany nekrytých kontaktů prostřednictvím izolace, nevodivých krytek či lepicích pásek. Nepřepravujte prasklé nebo baterie s unikajícím elektrolytem. Ptejte se u zásilkové společnosti na další radu.

ÚDRŽBA

⚠ VAROVÁNÍ

Používejte pouze originální příslušenství, doplňky a náhradní díly výrobce. Zanedbání může zapříčinit možné poranění, slabý výkon a může dojít ke ztrátě záruky.

⚠ VAROVÁNÍ

Údržba vyžaduje extrémní péči a znalosti a měla by být prováděna pouze kvalifikovaným servisním technikem. Výrobek nechte opravit pouze v pověřeném servisu. Při údržbě používejte pouze původní náhradní díly výrobce.

- Při odstavení rozrývače za účelem údržby, opravy, kontroly, skladování nebo výměny příslušenství jej vypněte, odpojte od napájení a ujistěte se, že je pohyb pohyblivých dílů zcela zastaven. Před čištěním, prohlídkou, atd. nechejte přístroj vychladnout. Provádějte pečlivou údržbu a čištění rozrývače.
- Často kontrolujte sběrnou nádobu, zda není opotřebená, nejsou v ní otvory nebo nevykazuje vady.
- Můžete provádět v návodu k obsluze uvedené opravy a seřízení. Pro jiné opravy nebo poradenství, požádejte o pomoc autorizovaného servisního střediska.
- Z důvodu bezpečnosti vyměňte opotřebované nebo poškozené díly. Používejte pouze originální příslušenství a náhradní díly.
- Po každém použití setřete nástroj měkkým a suchým hadříkem. Jakýkoliv poškozený díl je nutné správně opravit nebo nechat vyměnit v autorizovaném servisním středisku.
- Zkontrolujte všechny šrouby, matice v častých intervalech na řádné utažení, aby se zajistilo, že výrobek bude pracovat v bezpečných pracovních podmínkách.

- Při seřizování postupujte opatrně a předcházejte zachycení prstů mezi pohyblivými hroty a pevnými částmi rozrývače.
- Při provádění úkonů na sestavě hrotů dávejte pozor, protože se může pohybovat i při vypnutém napájení.
- Hroty rozrývače jsou ostré. Buďte velmi opatrní a noste silné rukavice při výměně, čištění, upevňování či kontrole zajištění šroubu.

ODSTRAŇOVÁNÍ BLOKOVÁNÍ

- Vypněte produkt a odpojte jej od elektrické sítě.
- Vždy používejte odolné ochranné rukavice při kontrole a odstraňování ucpání.
- Hroty jsou ostré a předmět způsobující zablokování by mohl být také ostrý.
- Vyjměte sběrnou nádobu, zkontrolujte a opatrně odstraňte překážky.
- Zkontrolujte, zda nejsou nějaké překážky u výhozu a opatrně je odstraňte.
- Obratěte rozrývače na bok, zkontrolujte jej zespodu a v okolí hrotů. Odstraňte opatrně předměty, které způsobují zablokování. Mějte na paměti, že hroty se mohou během čištění pohybovat.

ZBYTKOVÁ RIZIKA

Dokonce, i když se výrobek provozuje jak je předepsáno, je stále nemožné zcela eliminovat veškeré zbytkové rizikové faktory. Následující nebezpečí mohou nastat při používání; vyhýbejte se:

- Poranění způsobené vibracemi
 - Vždy používejte správný nástroj pro danou práci. Používejte určené rukojeti. Provozní dobu pily a vystavení vibracím omezujte.
- Zranění způsobené hlukem
 - Vystavování hluku může způsobit poškození sluchu. Noste ochranu sluchu a omezte vystavení.
- úraz při styku s hroty
- Úraz způsobený odmrštěnými předměty

SNÍŽENÍ RIZIKA

Bylo zjištěno, že vibrace z ručních pracovních nástrojů mohou u některých osob přispívat ke stavu tzv. Raynaud's Syndrome (Raynaudovu syndromu). Mezi jeho příznaky patří brnění, necitlivost a zblednutí prstů, patrně obvykle po pobytu v chladu. Vědci se domnívají, že k rozvinutí těchto příznaků přispívají dědičné faktory, pobyt v chladu a vlhku, strava, kouření a pracovní návyky. Uživatel může omezit případné působení vibrací použitím vhodných opatření:

- Za chladného počasí se teple oblečte. Při práci s výrobkem si navlekněte rukavice, abyste udrželi ruce a zápěstí v teple. Bylo zjištěno, že chladné počasí je hlavním faktorem přispívajícím k Raynaud's Syndrome (Raynaudovu syndromu).
- Během práce si v pravidelných intervalech zacvičte, abyste zvýšili krevní oběh.
- Zařazujte časté pracovní přestávky. Omezte dobu práce za den.

Jakmile pocítíte některý z výše uvedených příznaků tohoto syndromu, okamžitě přerušete práci a vyhledejte lékaře.

VAROVÁNÍ

Poranění mohou být způsobena, či zhoršena, prodlouženým používáním nástroje. Když používáte jakýkoliv nástroj delší dobu, dělejte pravidelně přestávky.

POZNEJTE SVŮJ NÁSTROJ

Viz strana 134.

1. Spínač
2. Úchopy rukojeti
3. Spínače
4. Horní tyč rukojeti
5. Knoflíky
6. Šestihranný klíč
7. Hroty
8. Spínací klíč
9. Zadní kola
10. Přední kola
11. Baterie
12. Nabíječka
13. Provozdušňovací nástavec
14. Páka seřízení výšky
15. Kryt baterie
16. Zadní dvířka
17. Sběrný koš
18. Spodní sestava rukojeti
19. Kabel

SYMBOLY NA VÝROBKU



Bezpečnostní výstraha



Před spuštěním přístroje si řádně přečtěte pokyny.



Noste ochranu sluchu



Noste ochranu očí



Nevystavujte dešti nebo nepoužívejte ve vlhkých podmínkách.



Dávejte pozor na odmrštěné nebo odletující předměty. Všechny přihlížející, zvláště děti a zvířata udržujte ve vzdálenosti alespoň 15 m od pracovní oblasti.



Pozor na ostré hroty. Hroty se otáčejí i po vypnutí motoru. Před prováděním údržby vyjměte odpojovací klíč.



Nepoužívejte na sklonech vyšších jak 15°. Na strmých svazích používejte výrobek po vrstevnicích, nikdy ve směru nahoru a dolů.



Šířka záběru: 35 cm



Odpad elektrických výrobků se nesmí likvidovat v domovním odpadu. Recyklujte prosím na sběrných místech. Ptejte se u místních úřadů nebo prodejce na postup při recyklaci.



Toto nářadí je v souladu se všemi normami a předpisy platnými v zemi EU, ve které bylo zakoupeno.



Euroasijská značka shody



Ukrajinská značka shody



Garantovaná hladina akustického výkonu zobrazená na tomto štítku je 95 dB.

SYMBOLY V NÁVODU



Díly nebo příslušenství jsou v prodeji samostatně



Poznámka



Varování

Následující signální slova a významy jsou vhodné pro vysvětlení úrovní nebezpečí spojených s tímto výrobkem.

NEBEZPEČÍ

Označuje bezprostředně rizikovou situaci, které je třeba předejít, jinak bude jejím následkem smrt nebo vážné zranění.

VAROVÁNÍ

Označuje možnou rizikovou situaci, které je třeba předejít, jinak jejím následkem může být smrt nebo vážné zranění.

VAROVÁNÍ

Označuje možnou rizikovou situaci, které je třeba předejít, jinak jejím následkem může být smrt nebo vážné zranění.

VAROVÁNÍ

Bez symbolu bezpečnostní výstrahy

Určuje situaci, která může mít za následek vážné poškození.



A vezeték nélküli talajlazító és gypszellőztető tervezése során elsődleges szempont volt a biztonság, a teljesítmény és a megbízhatóság.

RENDELTESSZERŰ HASZNÁLAT

A vezeték nélküli talajlazítót és gypszellőztetőt kizárólag kültéri használatra tervezték. A talaj lazítása vagy a gypszellőztetése során mind a négy keréknek hozzá kell érnie a talajhoz.

A lazító villákkal felszerelt termék családi házak körüli gypszellőztetésére szolgál.

A levegőztető csatlakozóval ellátott terméket a talajban lyukak létrehozására tervezték a talaj tömörödésének a csökkentése érdekében.

A termék olyan gyalogvezetésű gypszellőztető, amelyet kézzel kell tolni. A terméket nem szabad húzni és tilos rajta utazni. Nem szabad a házi gyeppázsiton kívül más növény levegőztetésére használni.

Semmilyen más célra ne használja.

ÁLTALÁNOS BIZTONSÁGI FIGYELMEZTETÉSEK AZ ELEKTROMOS SZERSZÁMGÉPRE VONATKOZÓAN

FIGYELMEZTETÉS

A termék használatakor a biztonsági szabályokat be kell tartani. A saját és mások biztonsága érdekében kérjük, olvassa el ezt az útmutatót a termék használata előtt. Tartsa meg a kézikönyvet, hátha a későbbiekben szüksége lehet rá.

FIGYELMEZTETÉS

Csak a jelen gépkönyvben előírt akkumulátorcsomagokkal használja a terméket. Akkumulátoros gépek használatakor a tűz, az akkumulátor szivárgása és a személyi sérülés veszélyének csökkentése érdekében mindig be kell tartani az alapvető biztonsági óvintézkedéseket.

SZEMÉLYI BIZTONSÁG

- A készülék képes kezek és lábak amputálására, tárgyak elhajítására. Az összes biztonsági utasítás figyelmen kívül hagyása súlyos sérülést vagy halált eredményezhet.
- Legyen tisztában a termék kezelőszerveivel és helyes használatával.
- Ne hagyja, hogy gyerekek vagy csökkent fizikai, érzékelési vagy értelmi képességgel rendelkező személyek, vagy az utasításokat nem ismerő személyek működtessék, tisztítsák vagy karbantartsák a terméket. A helyi előírások korlátozhatják a kezelő életkorát. A gyerekekre oda kell figyelni, nehogy játszanak a termékkel.
- Az egység működtetésekor legyen mindig éber, figyeljen arra, amit csinál és használja a józan eszét. Ne használja a gépet, ha fáradt, beteg vagy alkohol,

gyógyszerek illetve más tudatmódosítók hatása alatt áll. Ha a gép használata közben nem figyel oda arra, amit csinál, az súlyos személyi sérüléshez vezethet.

- Nehéz, hosszú nadrágot viseljen, hosszú ujjú felsőt és kemény, csúszásmentes lábbelit. Ne viseljen rövidnadrágot és szandált, illetve ne legyen mezítláb. Kerülje a bő ruhák viselését, vagy amelyből kábelek vagy madzagok lógnak ki.
- Mindig viseljen oldalellenzővel rendelkező védősisakot.
- Ne hajoljon ki túlságosan. Mindig biztosan támaszkodjon meg, főleg a lejtőkön. Stabilan álljon és vegyen fel megfelelő egyensúlyt. Gyalogoljon, ne fusson.
- A leejtőkön keresztbe használja a terméket, soha ne felfelé és lefelé haladva. A lejtőn való irányváltás közben legyen különösen óvatos.
- Ne használja a terméket mélyedések, árkok, túlzottan meredek lejtők vagy töltések közelében. A nem stabil tartás csúszási vagy esési balesetet okozhat.

MUNKATERÜLET

- Soha ne működtesse a gépet, ha emberek - különösen gyerekek - vagy állatok vannak a közelben.
- A gypszellőztető villáihoz ütköző tárgyak súlyos személyi sérülést okozhatnak. Alaposan vizsgálja át a területet, ahol a gépet használni szeretné, és távolítsa el minden követ, fadarabot, fémdarabot, drótot, csontot, játékot vagy más idegen tárgyat. Ne feledje, hogy a szálak vagy vezetékek beakadhatnak a vágókésbe.
- Nappal vagy jó mesterséges megvilágításnál használja a terméket.
- A gépet ne működtesse robbanásveszélyes környezetben, például robbanásveszélyes folyadékok, gázok vagy porok jelenlétében. A gépben szikrák keletkezhetnek, amik begyújthatják a port vagy a gőzöket.
- Ne használja a gépet vizes fűben vagy esőben.
- Ne használja a gépet kavicsos vagy kövezett felületen, ahol a kidobott anyag sérülést okozhat.
- A terméket csak vízszintes talajon használja úgy, hogy kezelőként a fogantyú mögött helyezkedik el, és azt két kézzel fogja.
- Ne használja a gypszellőztetőt rossz időben, különösen amikor fennáll a villámcsapás kockázata.
- Jegyezze meg, hogy a kezelő vagy a felhasználó felelős a más embereknek vagy tulajdonuknak okozott veszélyekért vagy balesetekért.
- Tragikus balesetek fordulhatnak elő, ha a kezelő nem veszi észre a gyerekek jelenlétét. Ne feltételezze azt, hogy a gyerekek ugyanott maradnak, ahol utoljára látta őket.
- A munkaterülettől a gyerekeket tartsa távol, és a kezelőn kívüli felelős felnőtt körülmények között felügyelje őket, aki álljon készenlétben és a terméket kapcsolja ki, ha egy gyerek belép erre a területre.
- Vak sarkok, bokrok, fák vagy egyéb tárgyak, pl. a látást korlátozó belógó bokrok megközelítésekor rendkívül óvatos legyen.

EN
FR
DE
ES
IT
NL
PT
DA
SV
FI
NO
RU
PL
CS
HU
RO
LV
LT
ET
HR
SL
SK
BG
UK
TR





AKKUMULÁTOROS SZERSZÁMGÉP HASZNÁLATA ÉS KARBANTARTÁSA

- Olvassa el, értse meg és mindig tartsa be az akkumulátorhoz és a töltőhöz mellékelt biztonsági előírásokat. Ennek elmulasztása áramütést, tüzet vagy más veszélyes szituációkat eredményezhet. A jövőbeni felhasználásra az összes útmutatót tartsa együtt, biztonságos helyen.
- Az akkumulátorral működő gépeket nem kell az elektromos hálózathoz csatlakoztatni, azok mindig készen állnak a használatra. Távolítsa el az áramtalanító kulcsot, amikor nem használja a terméket.
- Bármilyen beállítás, tisztítás vagy anyag gépből történő eltávolítás előtt vegye ki az akkumulátort a gépből.
- Az akkumulátor behelyezése előtt ellenőrizze, hogy a áramtalanító kulcs ki van véve.
- Az akkumulátort csak a gyártó által meghatározott töltővel töltsse fel. Töltő használata nem kompatibilis akkumulátorral akár tűzveszélyt is okozhat. Az akkumulátort csak a hozzá adott töltővel töltsse.
- A géphez csak a hozzá való akkumulátort használja. Más akkumulátorok használata tűzveszélyt, áramütést vagy személyi sérüléseket eredményezhet.
- Az akkumulátort használaton kívül tartsa távol más fém tárgyaktól, úgymint gemkapcsoktól, érméktől, kulcsoktól, szögektől, csavaroktól vagy más kisméretű fém tárgyaktól, amelyek rövide zárhatják a két érintkezőt. Az akkumulátor érintkezőinek rövide zárása szikrákat, tüzet, égéseket vagy robbanást okozhat.
- Az akkumulátoros termékeket vagy az akkumulátort ne tegye tűz vagy hőforrás közelébe. Ezzel csökkenti a robbanás és az esetleges sérülés kockázatát.
- Ne nyissa fel és ne módosítsa az akkumulátort. A kifolyt elektrolit korrodáló, és a szem vagy a bőr sérülését okozhatja. Belélegzőskor mérgező lehet.
- Óvja az akkumulátort a nedvességtől és a víztől. Az akkumulátort ne töltsse nedves vagy vizes helyeken. Ha ezt a szabályt betartja, csökkentheti az áramütés kockázatát.
- Az akkumulátor károsodásakor és helytelen használata esetén gőz szabadulhat ki. Biztosítson friss levegőt, és panasz esetén forduljon orvoshoz. A gőz irritálhatja a légzőrendszert.
- Nem ajánlott az akkumulátort meleg vagy hideg környezeti feltételek esetén járműben hagyni.
- Ne égesse el az akkumulátort.
- Nem megfelelő körülmények esetén folyadék távozzhat az akkumulátorból, kerülje az azzal való érintkezést. Ha mégis érintkezik vele, öblítse le vízzel. Ha a folyadék szembe kerül, forduljon orvoshoz. Az akkumulátorból kifolyt folyadék irritációt vagy égéseket okozhat.

A TALAJLÁZÍTÓVAL ÉS GYEPSZELLŐZTETŐVEL KAPCSOLATOS BIZTONSÁGI FIGYELMEZTETÉSEK

- A termék villái élesek. Óvatosan járjon el, és viseljen nehéz igénybevételre tervezett kesztyűt a felszerelésükkor, cseréjükkor, tisztításukkor vagy a csavarok ellenőrzésekor.
- Ellenőrizze, hogy minden csavar, anya, zár és egyéb

rögzítőelem megfelelően van-e rögzítve, és hogy a védőelemek és a védőháló a helyén van-e. A sérült vagy olvashatatlan címkéket cserélje ki.

- A termék használata előtt cserélje ki az elhasználódott vagy sérült alkatrészeket.
- A gyp szellőztetése előtt szerelje fel a hulladékgyűjtőt. Amikor a hulladékgyűjtő megtelik, ürítse ki és szerelje vissza azt a művelet folytatása előtt.
- A terméket csak úgy szabad beindítani, hogy a kezelő a fogantyú mögött, a biztonságos zónában tartózkodik. Ne indítsa be a terméket, ha:
 - nincs mind a négy kereke a talajon
 - a hulladékkidobó csúszda kint van, és nem védi a hulladékgyűjtő és a hulladékkidobó csúszda fedele.
- Ne működtesse a terméket, ha a markolaton található be/ki kapcsoló nem megfelelően indítja és állítja le a terméket.
- Soha ne zárja le a főkapcsolót bekapcsolt helyzetben; ez rendkívül veszélyes.
- Ne erőltesse a terméket. A gép jobban teljesít és biztonságosabban dolgozik olyan sebesség használatakor, amilyenre azt tervezték.
- Kavicsos felületen való áthaladás előtt állítsa le a villákat.
- Különleges figyelemmel járjon el, amikor megfordítja vagy maga felé húzza a terméket.
- Állítsa le a villákat, ha a terméket szállítás során meg kell dönteni nem füves talajon való áthaladás során, és amikor a terméket munkaterületre szállítja, illetve onnan elviszi.
- Soha ne használja a terméket hibás védőelemekkel vagy -lemezekkel, illetve úgy, hogy a biztonsági berendezések, például a terelő és/vagy hulladékgyűjtők nincsenek a helyükön.
- Ne döntse meg a terméket a motor bekapcsolása közben, kivéve, ha a gépet indításkor meg kell dönteni. Egyéb lehetőség híján csak a kezelőtől távol elhelyezkedő részeket döntse meg. Mindig győződjön meg róla, hogy mindkét keze a kezelési helyzetben van, mielőtt a gépet visszahelyezné a talajra.
- A terméket óvatosan és az előírások szerint kapcsolja be, és tartsa távol a kezét és a lábát a villáktól. Ne helyezze kezét vagy lábát a forgó részek alá vagy közelébe. A kiürítő nyílás legyen mindig akadálymentes.
- Ne emelje fel és ne szállítsa a terméket működő motorral.
- Kapcsolja ki a terméket, és húzza ki a csatlakozót a hálózathoz. Ellenőrizze, hogy minden mozgó rész teljesen megállt:
 - amikor felügyelet nélkül hagyja a gépet (beleértve a levágtott fű kidobását is).
 - egy eltömődés vagy az eldugult ürítőcsúszda tisztítása előtt
 - ellenőrzés, karbantartás vagy a gépen végzett bármilyen művelet megkezdése előtt;
 - idegen tárgyak eltalálása után; a gép újraindítása és működtetése előtt vizsgálja meg a gépet sérülések tekintetében, és szükség esetén végezze el a javításokat;





- Ha a termék erőteljesen rázkódni kezd, haladéktalanul:
 - vizsgálja át a gépet sérülések tekintetében
 - cserélje ki vagy javítsa meg a sérült alkatrészeket
 - ellenőrizze és húzza meg a meglazult alkatrészeket
- Kerülje a lyukakat, keréknyomokat, köveket és más rejtett tárgyakat. Az egyetlen talaj csúszási vagy esési balesetet okozhat.
- Azonnal engedje el a fogantyút, és távolodjon el a terméktől, ha:
 - a termék meggyulad
 - eltörik a védőelem és/vagy a burkolat
 - rendellenes hang hallatszik
 - bármilyen baleset vagy meghibásodás bekövetkezte esetén
- Mindig figyeljen oda arra, hogy a motor vezérlőkábele ne akadjon be, ne csipődjön be és máshogy se károsodjon a kar összeszerelésekor vagy lehajtásakor.

⚠ FIGYELMEZTETÉS

A hulladékgyűjtő le- és felszerelése előtt győződjön meg arról, hogy a villák teljesen leálltak.

⚠ FIGYELMEZTETÉS

Veszélyes mozgó alkatrészekhez ne nyúljon, amíg a terméket le nem választotta a tápellátásról, és a mozgó veszélyes alkatrészek teljesen meg nem álltak.

AZ AKKUMULÁTOR KIEGÉSZÍTŐ BIZTONSÁGI FIGYELMEZTETÉSEI

⚠ FIGYELMEZTETÉS

A rövidzárlat általi tűz, sérülések vagy termékkárosodások veszélye elkerülésére ne merítse a szerszámot, a cserélhető akkut vagy a töltőkészüléket folyadékokba, és gondoskodjon arról, hogy ne hatoljanak folyadékok a készülékekbe és az akkuba. A korrozív hatású vagy vezetőképes folyadékok, mint pl. a sós víz, bizonyos vegyi anyagok, fehéritők vagy fehéritő tartalmú termékek, rövidzárlatot okozhatnak.

TÜLTERHELÉSVÉDŐ ESZKÖZ

A termék túlterhelésvédelemmel rendelkezik. Túlterhelés észlelésekor a termék automatikusan kikapcsol. Ha a túlterhelésvédő működésbe lépett, a motort 5–10 percen keresztül hagyja lehűlni.

Kapcsolja ki a terméket, és húzza ki a csatlakozót a hálózathoz. A villák élesek, ezért vegyen fel erős munkakesztyűt, mielőtt hozzájuk érne. Győződjön meg arról, hogy a villák szabadon foroghatnak, nem akadnak és nem szorulnak.

Mikor a motor lehűlt, dugja be a zsinórt a konnektorba és kapcsolja be a terméket. A gép beindításához nyomja meg a Start gombot, majd a be/ki kapcsológombot. Ha a termék nem indul el, csak engedéllyel rendelkező szervizben javíttassa.

ÁLTALÁNOS TIPPETEK A GYEP SZELLŐZTETÉSÉVEL KAPCSOLATBAN

- A vágási mélységet a gyeppel szükségleteinek és a fű hosszának megfelelően állítsa be.
- Ha a gyeppel bemohásodik, a gyepszellőztetéshez tervezett időpont előtt egy héttel vágja le a fűvet, és szórja be mohairtóval.
- Szellőztetés előtt egy pár nappal öntözze meg a gyeppel, hogy az nyirkos, de ne túlságosan nedves legyen.

SZÁLLÍTÁS ÉS TÁROLÁS

- Minden idegen anyagtól tisztítsa meg a terméket. Hűvös, száraz és jól szellőztetett, gerekektől elzárt helyiségben tárolja. Ne tárolja olyan oxidálószerrel közelében, mint pl. kert munkáknál használatos vegyszerek vagy jégmentesítő sók. Ne tárolja a szabadban.
- Szállításkor rögzítse a terméket elmozdulás és leesés ellen, hogy elkerülje a sérüléseket és a termék sérülését.

⚠ FIGYELMEZTETÉS

Különösen figyeljen oda, amikor karbantartáshoz, tisztításhoz, tároláshoz vagy szállításhoz felemeli vagy megdönti a gépet. A villák élesek, tartsa távol minden testrészét azoktól, amíg ki vannak téve a közelségüknek.

LÍTIUM AKKUMULÁTOROK SZÁLLÍTÁSA

Az akkumulátorokat a helyi és nemzeti előírásokkal és szabályokkal összhangban szállítsa.

Az akkumulátorok külső fél általi szállításakor kövesse a csomagolásra és a címkézésre vonatkozó speciális előírásokat. Ügyeljen arra, hogy az akkumulátorok ne érhessenek más akkumulátorokhoz vagy vezető anyagokhoz szállítás közben; ehhez a szabadon maradt csatlakozókat védje szigetelő fedéllel vagy szalaggal. Ne szállítson repedt vagy szivárgó akkumulátorokat. További információért vegye fel a kapcsolatot a továbbítást végző céggel.

KARBANTARTÁS

⚠ FIGYELMEZTETÉS

Csak a gyártó eredeti cserealkatrészeit, tartozékait és szereléseit használja. Ennek figyelmen kívül hagyása gyenge motorteljesítményt, esetleges sérülést és a jótállás elvesztését okozhatja.

⚠ FIGYELMEZTETÉS

Szervizelés különös figyelmet és hozzáértést igényel, és csak szakképzett szerelő végezheti el. A terméket csak engedéllyel rendelkező szervizben javíttassa. Szervizeléskor csak eredeti, gyártó által előállított cserealkatrészeket használjon.





- Amikor a terméket szervizelés, átvizsgálás, tárolás vagy tartozékcseré miatt leállítja, kapcsolja ki a tápellátást, válassza le a terméket az elektromos hálózatról, és győződjön meg róla, hogy az összes mozgó alkatrész teljesen leáll. Bármilyen átvizsgálás, beállítás stb. elvégzése előtt hagyja teljesen lehűlni a gépet. Gondosan tartsa karban a terméket, és mindig tisztítsa le azt.
- Gyakran ellenőrizze a hulladékgyűjtőt, hogy nem kopott, nincsenek-e rajta lyukak vagy egyéb sérülések.
- A használati útmutatóban leírt beállításokat és javításokat Ön is elvégezheti. További javításokért vagy tanácsért kérjen segítséget egy hivatalos szervizközpontban.
- A biztonságos üzem érdekében cserélje ki az elhasználadott vagy sérült alkatrészeket. Csak eredeti cserealkatrészeket és tartozékokat használjon.
- Minden egyes használat után egy puha, száraz ruhával tisztítsa meg a terméket. A sérült alkatrészeket egy hivatalos szervizközpontban kell megjavíttatni vagy kicseréltetni.
- Gyakori időközönként ellenőrizze a csavaranyák, csavarok és fejescsavarok megfelelő meghúzását, hogy a termék biztonságos üzemi állapotban legyen.
- A terméket óvatosan állítsa be, hogy az ujjai ne szorljanak be a termék mozgó villái és álló alkatrészei közé.
- A villaegység szervizelésénél ügyeljen arra, hogy kikapcsolt áramforrás mellett a villaegység mozgatható maradjon.
- A termék villái élesek. Óvatosan járjon el, és viseljen nehéz igénybevételre tervezett kesztyűt a felszerelésükkor, cseréjükor, tisztításukkor vagy a csavarok ellenőrzésekor.

DUGULÁSOK ELHÁRÍTÁSA

- Kapcsolja ki a terméket, és húzza ki a csatlakozót a hálózathoz.
- Egy eltömődés ellenőrzésekor és megszüntetésekor mindig viseljen nehéz igénybevételre tervezett védőkesztyűt.
- A villák élesek, és maga az akadály is éles lehet.
- Szerelje ki a hulladékgyűjtőt, keresse meg és óvatosan szedje ki az akadályokat.
- Ellenőrizze a fűritő csúszda dugulását és óvatosan tisztítsa ki.
- Fordítsa a terméket az oldalára, ellenőrizze az alját, valamint a villák körüli területet. Ha elakadást észlel, óvatosan távolítsa el. Ne felejtse el, hogy a villák tisztítás közben elmozdulhatnak.

FENNMARADÓ KOCKÁZAT

Még a termék rendeltetésszerű használata esetén sem lehet teljesen kiküszöbölni minden kockázati tényezőt. A gép használata során a következő veszélyek merülhetnek fel, és a kezelőnek különösen oda kell figyelnie az alábbiak elkerülésére:

- A vibráció sérüléseket okozhat

– A munkához mindig a megfelelő szerszámot használja. Használja a kijelölt fogantyúkat. Korlátozza a munkaidőt és az expozíciót.

- Zaj okozta sérülések
 - A zajnak való kitettség halláskárosodást okozhat. Viseljen hallásvédőt és korlátozza a zajnak való kitettségét.
- sérülés a fogakkal való érintkezés miatt
- A kirepülő tárgyak sérüléseket okozhatnak

KOCKÁZATCSÖKKENTÉS

Arról számoltak be, hogy a kéziszerszámok használata során fellépő vibráció bizonyos személyeknél hozzájárulhat az úgynevezett Raynaud-szindróma (Raynaud's Syndrome) nevű állapot kialakulásához. A tünetei lehetnek: az ujjak zsibbadása, elfehéredése, szúrások érzése, amelyek hidegnek kitéve gyakran felerősödnek. Az örökítő tényezők, a hidegnek kitettség és verejtékezés, a diéta, a dohányzás és munka közben alkalmazott fogások valószínűleg mind hozzájárulhatnak ezen tünetek megjelenéséhez. A vibráció hatásainak csökkentése érdekében a kezelőnek be kell tartani az alábbi óvintézkedéseket:

- Hideg időben tartsa melegen a testét. A termék használatakor viseljen kesztyűt a kéz és a csukló melegen tartásához. Arról számoltak be, hogy a hideg időjárásnak fontos szerepe van a Raynaud-szindróma kialakulásában.
- Bizonyos időtartamú használat után mindig végezzen gyakorlatokat a vérkeringés javításához.
- Gyakran tartson munkaszünetet. Korlátozza a napi munkaidőt.

Ha ezen állapot bármelyik tünetét tapasztalja, azonnal hagyja abba a munkát, és tájékoztassa az orvosát a tünetekről.

▲ FIGYELMEZTETÉS

Hosszabb használat sérülést okozhat. Ha a gépet hosszú időn át kell használnia, tartson gyakran szünetet.

ISMERJE MEG A TERMÉKET

Lásd 134. oldal.

1. Kapcsológomb
2. Fogantyúk markolatai
3. Karok
4. Felső fogantyú
5. Gombok
6. Imbuszkulcsok
7. Boronafogak
8. Kapcsoló
9. Hátsó kerekek
10. Elülső kerekek
11. Akkumulátor
12. Töltő
13. Levegőztető tartozék
14. Magasságállító kar
15. Akkumulátor fedél
16. Hátsó ajtó



17. Szennyeződésgyűjtő
 18. Alsó fogantyú szerelvény
 19. Vezeték



A címkén látható garantált hangteljesítményszint 95 dB.

SZIMBÓLUMOK A TERMÉKEN



Biztonsági figyelmeztetés



A gép bekapcsolása előtt figyelmesen olvassa el az útmutatót.



Viseljen fülvédőt



Viseljen védőszemüveget



Ne tegye ki esőnek, és ne használja nedves környezetben.



Figyeljen a kivetett vagy repülő tárgyakra. Az összes nézelődő, különösen a gyerekek és a háziállatok, legyenek legalább 15 m-es távolságra a használati területtől.



Ügyeljen az éles fogazatra! A fogak a motor kikapcsolása után még forognak. Karbantartás előtt vegye ki a leválasztókulcsot.



Ne használja 15°-nál meredekebb lejtőn. A lejtőkön keresztbe használja a terméket, soha ne felfelé és lefelé haladva.



Munkaszélesség: 35 cm



A kiselejtezett elektromos termékeket nem szabad a háztartási hulladékkal együtt kidobni. Ezeket újra kell hasznosítani, ha van rá lehetőség. Az újrahasznosítással kapcsolatban érdeklődjön a helyi önkormányzatnál vagy a termék forgalmazójánál.



Ez a szerszám minden, a vásárlás európai uniós országában hatályos szabványoknak megfelel.



Eurázsiai megfelelőségi jelzés



Ukrajnai megfelelőségi nyilatkozat

001

A KÉZIKÖNYVBEN HASZNÁLT SZIMBÓLUMOK



Külön értékesített alkatrészek és kiegészítők



Megjegyzés



Figyelem

A következő jelölőszavak és jelentések arra szolgálnak, hogy megmagyarázzák a termékkel kapcsolatos veszélyességi szinteket.

⚠ VESZÉLY

Egy bekövetkező veszélyes helyzetet jelez, ami, ha nem előzik meg, halált vagy komoly sérülést eredményez.

⚠ FIGYELMEZTETÉS

Egy potenciálisan bekövetkező veszélyes helyzetet jelez, amit, ha nem előznek meg, halált vagy komoly sérülést eredményezhet.

⚠ FIGYELEMFELHÍVÁS

Egy potenciálisan veszélyes helyzetet jelez, ami, ha nem előzik meg, kisebb vagy mérsékelt sérülést eredményezhet.

FIGYELEMFELHÍVÁS

Biztonsági figyelmeztető szimbólum nélkül Egy olyan helyzetet jelez, ami anyagi kárt eredményezhet.



Siguranța, performanța și fiabilitatea au constituit principalele noastre preocupări la proiectarea sapei dvs. de adâncime mică sau aeratorului.

UTILIZARE PREVĂZUTĂ

Aeratorul sau sapa de adâncime mică fără fir este destinată exclusiv pentru utilizare în exterior. Toate cele patru roți trebuie să atingă solul în timpul operației de săpare sau afânare.

Produsul la care sunt montați dinții pentru afânare este destinat pentru afânarea gazonului domestic.

Produsul la care este montat accesoriul pentru afânare este conceput pentru a crea adâncituri în sol pentru a reduce compactarea solului.

Produsul este o sapă de adâncime mică pentru gazon concepută pentru a fi manevrată în mod pedestru și împinsă cu mâna. Produsul nu trebuie tras și nici nu trebuie să se urce cineva pe el. Aceasta nu trebuie să fie utilizată decât pentru afânarea suprafețelor de teren de gazon domestic.

Nu folosiți în alte scopuri.

AVERTISMENTE GENERAL DE SIGURANȚĂ PRIVIND UNEALTA ELECTRICĂ

⚠ AVERTISMENT

Atunci când utilizează produsul, normele de siguranță trebuie să fie respectate. Pentru siguranța dumneavoastră și a trecătorilor, vă rugăm să citiți aceste instrucțiuni înainte de utilizarea produsului. Vă rugăm să păstrați instrucțiunile într-un loc sigur pentru utilizare ulterioară.

⚠ AVERTISMENT

Utilizați echipamentul doar cu acumulatorul specificat în acest manual. Atunci când se utilizează mașina cu acumulator, măsurile de precauție de bază ar trebui să fie întotdeauna respectate pentru a reduce riscul de incendiu, de scurgere a bateriilor și de vătămare corporală.

SIGURANȚĂ PERSONALĂ

- Acest produs este capabil să amputeze mâini și picioare și să azvârle obiecte. Neobservarea tuturor instrucțiunilor de siguranță poate cauza vătămare gravă sau deces.
- Familiarizați-vă cu comenzile și folosirea corectă a produsului.
- Nu permiteți niciodată copiilor sau persoanelor cu capacități fizice, senzoriale sau mintale reduse, sau cele nefamiliare cu aceste instrucțiuni, să opereze, curețe sau să efectueze întreținerea produsului. Reglementările locale pot restricționa vârsta operatorului. Copiii trebuie să fie supravegheați adecvat pentru a vă asigura că nu se joacă cu produsul.
- Fiți vigilenți, fiți atenți la ceea ce faceți, acționați cu simț practic când operați unitatea. Nu utilizați unealta când sunteți obosit, bolnav sau sub influența alcoolului,

a drogurilor sau a medicamentelor. Un moment de neatenție în timpul operării mașinii poate cauza vătămare personală gravă.

- Purtați pantaloni lungi și rezistenți, bluză cu mânecă lungă și încălțăminte antiderapantă. Nu purtați pantaloni scurți și sandale și nu mergeți cu picioarele goale. Evitați să purtați de îmbrăcăminte largă sau care are cordoane sau șireturi libere.
- Purtați mereu ochelari de protecție cu apărători laterale.
- Nu vă aplecați excesiv. Fiți atent întotdeauna unde pășiți mai ales pe pante înclinate. Mențineți sprijin ferm pe picioare și echilibru. Mergeți. Nu alergați niciodată.
- Folosiți produsul de-a latul pantelor, niciodată în jos și în susul ei. Acordați atenție maximă atunci când schimbați direcția pe pantă.
- Nu folosiți produsul lângă pante abrupte, șanțuri, zone extrem de înclinate sau diguri. Echilibrul fragil pe picioare poate cauza alunecarea sau căderea.

MEDIUL DE LUCRU

- Nu utilizați niciodată mașina în timp ce în apropiere se află persoane, în special copii sau animale de companie.
- Obiectele lovite de dinții grapei pot cauza rănirea gravă a persoanelor. Inspectați foarte bine zona în care va fi utilizată mașina și îndepărtați toate pietrele, crengile, metalul, sârma, oasele, jucăriile sau alte obiecte străine. Rețineți, firul sau cablurile se pot încălci în cuțitele de tăiere.
- Folosiți produsul doar pe lumina zilei sau pe lumină artificială puternică.
- Nu operați mașina în atmosfere explozive, precum în prezența lichidelor, gazelor sau a prafului inflamabil. Unealta poate crea scânteii care pot aprinde praful sau vaporii.
- Nu operați mașina în iarba udă sau în ploaie.
- Nu folosiți mașina pe o suprafață pavată sau acoperită cu pietriș, unde materialul evacuat ar putea cauza vătămare corporală.
- Lucrați cu produsul numai pe suprafață plană, utilizând ambele mâini, operatorul stând în spatele mânerului bară.
- Evitați să utilizați grapa în condiții meteorologice urâte, mai ales dacă există riscul de fulgerare.
- Rețineți că operatorul sau utilizatorul este responsabil pentru accidente sau pericolele ce pot avea loc asupra altor persoane sau proprietății lor.
- Se pot întâmpla accidente tragice dacă operatorul nu este atent la prezența copiilor. Nu presupuneți niciodată că copiii vor rămâne acolo unde i-ați văzut ultima oară.
- Nu permiteți copiilor să intre în zona de lucru; lăsați-i în grija unui adult responsabil, altul decât operatorul; fiți în permanență atenți și opriți produsul dacă un copil pătrunde în zonă.
- Procedați cu grijă atunci când lucrați în colțuri fără vizibilitate, printre tufișuri, arbori sau alte obiecte, inclusiv tufișuri tunse în consolă care v-ar putea bloca vederea.





FOLOSIREA ȘI ÎNTREȚINEREA MAȘINII CU ACUMULATOR

- Citiți, înțelegeți și urmați întotdeauna instrucțiunile de siguranță ce vin împreună cu acumulatorul și încărcătorul. Neurmarea instrucțiunilor poate rezulta în electrocutare, incendiu sau situații periculoase. Păstrați toate instrucțiunile împreună într-un loc sigur pentru o consultare ulterioară.
- Unitățile cu acumulator nu trebuie să fie conectate la o priză electrică; prin urmare, acestea sunt întotdeauna în stare de funcționare. Scoateți întotdeauna cheia izolatoare oricând nu operați produsul.
- Scoateți acumulatorul înainte de a face orice ajustări, de curățare sau de eliminarea materialului din unitate.
- Asigurați-vă că cheia de contact este scoasă înainte de a introduce acumulatorul.
- Un acumulator trebuie să fie reîncărcat numai cu încărcătorul specificat de producător. Utilizarea unui încărcător cu acumulator incompatibil poate crea un risc de incendiu. Folosiți acumulatorul numai cu încărcătorul specificat.
- Folosiți doar acumulatorul destinat în mod special pentru mașină. Utilizarea unui alt acumulator poate produce un risc de incendiu, de electrocutare sau de vătămare a persoanelor.
- Atunci când acumulatorul nu este în uz, păstrați-l departe de alte obiecte metalice, cum ar fi agrafe de birou, monede, chei, cuie, șuruburi sau alte obiecte metalice mici, care pot face o conexiune de la o bornă la alta. Scurtcircuitarea terminalelor acumulatorului ar putea cauza scântei, arsuri, incendiu sau explozie.
- Nu lăsați produsele cu acumulatori sau acumulatorii acestora în apropierea focului sau a surselor de căldură. Această crește riscul de explozie și posibila vătămare.
- Nu deschideți sau distrugeți bateria. Electroliul eliberat este coroziv și poate cauza vătămare ochilor sau a pielii. Poate fi toxic dacă este înghițit.
- Protejați acumulatorul împotriva umezelii și a apei. Nu încălcați unitatea în locuri umeze sau ude. Respectarea acestei reguli reduce pericolul de electrocutare.
- În caz de deteriorare și de folosire inadecvată a acumulatorului, pot fi emiși vapori. Respirați aer proaspăt și consultați medicul în caz de dureri. Vaporii pot irita sistemul respirator.
- Nu lăsați acumulatorul în interiorul unui vehicul în condiții de căldură sau frig.
- Nu aruncați acumulatorul în foc.
- Ca urmare a folosirii necorespunzătoare, din acumulator se poate scurge lichid; evitați contactul cu acesta. În cazul unui contact accidental, spălați cu apă. În cazul contactului cu ochii, consultați suplimentar un medicul. Lichidul care iese din acumulator poate provoca iritații sau arsuri.

AVERTISMENTE DE SIGURANȚA SAPEI DE ADÂNCIME MICĂ SAU AERATORULUI

- Dinții grapei sunt ascuțiți. Folosiți atenție și purtați mănuși rezistente când montați, înlocuiți, curățați sau verificați șurubul de siguranță.

- Verificați ca toate șuruburile, piulițele, bolțurile și alte elemente de prindere sunt bine fixate și că protecțiile și apărătorile sunt așezate corespunzător la locul lor. Înlocuiți etichetele deteriorate sau ilizibile.
- Înlocuiți părțile uzate sau deteriorate înainte de operarea produsului.
- Înainte de a începe grăparea, montați colectorul de gunoi. Goliți colectorul de gunoi când s-a umplut și montați-l din nou înainte de a reîncepe lucrul.
- Produsul trebuie pornit cu utilizatorul în spatele ghidonului în zona de siguranță a operatorului. Nu porniți niciodată produsul dacă:
 - toate cele patru roți nu se află pe sol
 - sacul de colectare a gunoii este expus, nefiind protejat de cutie și de capac.
- Nu operați niciodată produsul dacă întrerupătorul pornit/oprit de pe mânerul de ghidare nu pornește și oprește corespunzător produsul.
- Nu încercați niciodată să blocați comutatorul de pornire/oprire (on/off), acest lucru poate fi foarte periculos.
- Nu forțați produsul. Aceasta va funcționa mai bine și mai sigur la viteza pentru care a fost proiectată.
- Opriti funcționarea dinților când traversați suprafețe cu pietriș.
- Exercițiți maximă atenție atunci când dați înapoi sau trageți produsul înspre Dvs.
- Opriti funcționarea dinților dacă grapa trebuie să fie înclinată pentru transport, când traversați suprafețe cu altceva în afară de iarbă și când transportați grapa către și de la zona de lucru.
- Nu utilizați niciodată produsul cu protecțiile și apărătorile deteriorate, sau fără dispozitivele de siguranță, de exemplu fără deflectoare și/sau colectoarele de gunoi montate la locul lor.
- Nu înclinați grapa când porniți motorul, cu excepția cazului când mașina trebuie să fie înclinată pentru a porni. Dacă este absolut necesar, puneți ridica numai acea parte care este la depărtare față de operator. Asigurați-vă întotdeauna că ambele mâini sunt în poziție de lucru înainte de a repune mașina pe sol.
- Porniți motorul cu grijă, conform instrucțiunilor și țineți mâinile și picioarele departe de dinții grapei. Nu puneți mâinile sau picioarele în apropierea sau sub piesele în rotație. Mențineți libere deschizăturile de golire tot timpul.
- Nu ridicați și nu purtați produsul când motorul funcționează.
- Opriti produsul și deconectați-l de la priză. Asigurați-vă că toate piesele mobile s-au oprit complet:
 - oricând lăsați produsul nesupravegheat (incluzând îndepărtarea bucăților de iarbă tăiate).
 - înainte de îndepărtarea unui blocaj sau înainte de golirea sacului
 - înainte de a verifica, curăța sau lucra asupra produsului
 - după ce ați lovit un obiect străin; inspectați aparatul dacă e deteriorat și faceți reparații necesare înainte de a reporni și opera mașina.
- Dacă produsul începe să vibreze anormal, verificați imediat ca:



- inspectați dacă există daune
 - înlocuiți sau reparați toate piesele deteriorate
 - verificați dacă există și strângeți orice piese desprinse
- Evitați găurile, făgașele, pietrele sau alte obiecte ascunse. Nerenul nenivelat poate cauza alunecare sau cădere.
 - Dați drumul imediat la mâner și îndepărtați-vă de grăpă dacă:
 - grapa a luat foc
 - protecția și/sau carcasa sunt rupte
 - se aud zgomote nefirești
 - orice accident sau avarie care are loc
 - Asigurați-vă întotdeauna că în timpul asamblării nu când pliați mânerul lui, cablul de control al motorului nu este niciodată prins, ciupit sau deteriorat.

⚠ AVERTISMENT

Asigurați-vă că dinții grapei s-au oprit complet înainte de a scoate sau de a monta colectorul de gunoi.

⚠ AVERTISMENT

Nu atingeți componentele în mișcare, înainte de oprirea completă a grapei și de deconectarea de la sursa de alimentare și înainte ca piesele în mișcare să se oprească de tot.

AVERTISMENTE SUPLIMENTARE PRIVIND SIGURANȚA LA UTILIZAREA BATERIILOR

⚠ AVERTISMENT

Pentru a reduce pericolul unui incendiu și evitarea rănilor sau deteriorarea produsului în urma unui scurtcircuit nu imersați scula, acumulatorul de schimb sau încărcătorul în lichide și asigurați-vă să nu pătrundă lichide în aparate și acumulatori. Lichidele corosive sau cu conductibilitate, precum apa sărată, anumite substanțe chimice și înalbitori sau produse ce conțin înalbitori, pot provoca un scurtcircuit.

DISPOZITIV DE PROTECȚIE LA SUPRASARCINĂ

Produsul este echipat cu un dispozitiv de protecție împotriva supratensiunii. Aparatul se oprește când este detectată o sarcină excesivă. Dacă dispozitivul de protecție la suprasarcină este declanșat, motorul trebuie lăsat să se răcească timp de 5 - 10 minute.

Opriti produsul și deconectați-l de la priză. Dinții grapei sunt ascuțiți. Utilizați mănuși de protecție groase atunci când le manevrați. Asigurați-vă că dinții grapei se pot roti liber și că nu sunt blocați sau încărcăți de resturi vegetale.

Când motorul s-a răcit, conectați ștecherul la sursa de energie și porniți produsul. Apăsăți butonul Start apoi butonul pornire-oprire pentru a pune produsul în funcțiune.

Dacă tot nu pornește, duceți produsul la reparații numai într-un centru service autorizat.

SFATURI GENERALE CU PRIVIRE LA OPERAȚIA DE GRĂPARE

- Ajustați adâncimea de grăpare conform nevoilor gazonului dvs. și cu lungimea ierbii.
- Tundeți-vă gazonul și dați cu ierbicid pentru mușchi înainte cu o săptămână de data planificată pentru grăpare, dacă aveți probleme cu mușchii.
- Undați gazonul de câteva ori pe zi înainte de grăpare pentru a vă asigura că aveți gazonul umed dar nu suprasaturat cu apă.

TRANSPORTAREA ȘI DEPOZITAREA

- Curățați toate materialele străine din produs. Depozitați-l într-un loc răcoros, uscat și bine aerisit ce este inaccesibil copiilor. Nu-l depozitați în apropiere de agenți corozivi cum ar fi produși chimici de grădinarie sau săruri antigel. Nu depozitați în aer liber.
- Pentru transportare, fixați produsul împotriva mișcării sau căderii pentru a preveni vătămarea persoanelor sau deteriorarea produsului.

⚠ AVERTISMENT

Folosiți maximă atenție când ridicați sau înclinați mașina pentru efectuarea întreținerii, curățare, depozitare sau transportare. Dinții grapei sunt ascuțiți, feriți-vă părțile corpului cât timp dinții sunt expuși.

TRANSPORTAREA BATERIILOR DE LITIU.

Transportați bateriile în conformitate cu prevederile și reglementările locale și naționale.

Urmați toate cerințele speciale privind împachetarea și etichetarea atunci când transportați baterii către un terț. Asigurați-vă că nicio baterie nu poate să intre în contact cu alte baterii sau materiale conductive în timpul transportului prin protejarea conectorilor expuși cu bandă, capace izolatoare neconductive. Nu transportați bateriile ce sunt crăpate sau care au scurgeri. Verificați cu firma transportatoare pentru recomandări ulterioare.

ÎNTREȚINERE

⚠ AVERTISMENT

Folosiți doar piese de schimb, accesorii și atașamente originale ale producătorului. Neurmarea acestora poate cauza posibilă vătămare, slaba funcționare și ar putea anula garanția.

⚠ AVERTISMENT

Service-ul necesită atenție și cunoștințe deosebite și trebuie îndeplinit doar de către un tehnician service calificat. Duceți produsul la reparații numai într-un centru service autorizat. La efectuarea serviciului, folosiți doar piese de schimb originale ale producătorului.



- Când grapa este oprită pentru operații de service, inspecție sau depozitare, sau pentru schimbare de accesorii, scoteți-o de sub tensiune, deconectați-o de la sursa de curent și asigurați-vă că toate piesele în mișcare s-au oprit complet. Lăsați mașina să se răcească înainte de a face orice inspecție, reglaje etc. Țineți produsul în stare de curățenie și dați atenție operațiilor de întreținere.
- Verificați în mod frecvent colectorul de gunoi pentru a nu avea uzură, găuri sau stare de deteriorare.
- Puteți face reglaje și reparații descrise în acest manual de instrucțiuni. Pentru alte reparații sau sfaturi, căutați asistență din partea unui centru service autorizat.
- Înlocuiți piesele uzate sau deteriorate pentru siguranță. Utilizați doar piese de schimb și accesorii originale.
- După fiecare folosire curățați produsul cu o cârpă moale și uscată. Orice piesă deteriorată trebuie să fie reparată în mod corespunzător sau înlocuită de un service autorizat.
- Verificați toate piulițele, suruburile la intervale frecvente de timp ca să fie corespunzător strânse pentru a vă asigura că produsul este în stare de lucru în siguranță.
- Fiți atenți în timpul ajustării produsului pentru a preveni prinderea degetelor între dinții grabei aflați în mișcare și piesele fixe ale sale.
- Când se execută operații de service la ansamblul de dinți, fiți atenți că dinții încă se pot afla în mișcare chiar dacă sursa de energie a fost deconectată.
- Dinții grabei sunt ascuțiți. Folosiți atenție și purtați mănuși rezistente când montați, înlocuiți, curățați sau verificați șurubul de siguranță.

ELIMINAREA BLOCAJELOR

- Opriti produsul și deconectați-l de la priză.
- Purtați întotdeauna mănuși de protecție rezistente atunci când verificați și eliberați un blocaj.
- Dinții sunt ascuțiți și obstrucția poate fi cauzată de un obiect ascuțit.
- Demontați colectorul de gunoi, verificați și curățați cu atenție obstrucțiile.
- Verificați jgheabul de evacuare a ierbii în privința obstrucțiilor și curățați cu atenție.
- Întoarceți produsul pe una din laturile sale, verificați partea de dedesubt și zona din jurul dinților. Dacă observați anumite obstrucții, îndepărtați-le cu atenție. Rețineți că dinții grabei se pot mișca în timpul curățării.

RISCURI REZIDUALE

Chiar dacă produsul este folosit așa cum a fost prescris, este totuși imposibil să se elimine complet anumii factori de risc reziduali. Următoarele pericole pot apărea în timpul folosirii și operatorul trebuie să acorde o atenție specială pentru a evita următoarele:

- Vătămare cauzată de vibrație
 - Folosiți întotdeauna scula potrivită pentru lucrare. A se utiliza mânerele destinate pentru aceasta. Reduceți timpul de lucru și de expunere.

- Vătămare cauzată de zgomot.
 - Expunerea la zgomot poate cauza vătămarea auzului. Purtați protecție pentru auz și limitați expunerea.
- vătămări survenite în urma contactului cu cuțitele
- Leziuni cauzate de obiecte proiectate

REDUCEREA RISCULUI

S-a raportat faptul că vibrațiile produse de uneltele manuale pot contribui, la anumite persoane, la o afecțiune denumită Sindromul Raynaud. Simptomele pot include furnicături, amorțeală și albirea degetelor, care apare, de obicei, după expunerea la frig. Factori ereditari, expunerea la frig și umiditate, dieta, fumatul și practicile de muncă contribuie la dezvoltarea acestor simptome. Există măsurător care pot fi efectuate de către operator pentru a reduce efectele de vibrațiilor:

- Păstrați-vă temperatura corporală ridicată pe vreme rece. Când operați produsul purtați mănuși pentru a menține calde mâinile și încheieturile. S-a constatat că vremea rece este un factor major care contribuie la sindromul Raynaud.
- După fiecare perioadă de operare, trebuie făcute exerciții pentru a crește circulația sângelui.
- Trebuie făcute pauze la intervale de timp regulate. Limitați expunerea zilnică.

Dacă sunt experimentate oricare dintre simptomele acestei afecțiuni, trebuie întrerupt utilizarea și consultat un medic.

⚠ AVERTISMENT

Pot fi cauzate sau agravate vătămările de la folosirea prelungită a aparatului. Atunci când folosiți o sculă pentru perioade prelungite, asigurați-vă că luați pauze regulate.

CUNOAȘTEȚI-VĂ PRODUSUL

Vezi pagina 134.

1. Comutator
2. Mânere
3. Butoane de pornire
4. Mâner-bară superior
5. Butoane rotunde
6. Cheie hexagonală
7. Dinți de grapă
8. Comutator
9. Roți spate
10. Roți față
11. Acumulator
12. Încărcător
13. Accesoriu pentru afânare
14. Manetă de reglare a înălțimii
15. Capacul acumulatorului
16. Ușă din spate
17. Colector de deșeuri
18. Ansamblu mâner la partea inferioară
19. Cablaj



SIMBOLURILE DE PE PRODUS.



Avertizare de siguranță



Vă rugăm citiți instrucțiunile cu atenție înainte de pornirea aparatului.



Purtați protecție pentru urechi



Purtați întotdeauna ochelari de protecție



Nu expuneți la ploaie sau umezeală.



Feriți-vă de obiecte proiectate sau în zbor. Țineți toți trecătorii, în special copiii și animalele de companie la cel puțin 15 metri de zona de operare.



Atenție la dinții ascuțiți!
Dinții continuă să se rotească după oprirea motorului.
Scoateți cheia de izolare înainte de operațiile de întreținere.



Nu folosiți pe pante mai mari de 15°. Folosiți produsul de-a latul pantelor, niciodată în jos și în susul ei.



Lățime de lucru: 35 cm



Deșeurile produselor electrice nu trebuie să fie înălțurate împreună cu deșeurile casnice. Vă rugăm reciclați acolo unde există facilități. Verificați la autoritatea dvs locală sau la vânzător pentru sfaturi privind reciclarea.



Acest aparat este conform cu ansamblul normelor reglementare din țara din UE în care a fost cumpărat.



Marcaj de conformitate EurAsian



Semn de conformitate ucrainean



Nivelul de putere acustică indicat pe eticheta acestui echipament este de 95 dB.

SIMBOLURI DIN ACEST MANUAL



Piese sau accesorii vândute separat



Notă



Avertisment

Următoarele cuvinte simbol și înțelesul lor au intenția de a explica nivelele de risc asociate cu acest produs.

⚠ PERICOL

Indică o situație periculoasă iminentă, care dacă nu este evitată va cauza decesul sau vătămarea gravă.

⚠ AVERTISMENT

Indică o situație periculoasă iminentă, care dacă nu este evitată poate rezulta în deces sau vătămare gravă.

⚠ ATENȚIE

Indică o situație potențial periculoasă, care dacă nu este evitată poate cauza vătămarea moderată sau ușoară.

⚠ ATENȚIE

Fără a simbolului de alertă privind siguranța
Indică o situație care poate duce la pagube materiale.



Radot jūsu akumulatora skarifikatoru vai aeratoru, drošībai, veikspējai un uzticamībai ir pievērsta vislielākā vērība.

PAREDŽĒTAIS LIETOJUMS

Akumulatoru skarifikators vai aerators ir paredzēts lietošanai tikai ārpus telpām. Skarificēšanas vai aerēšanas laikā visiem četriem riteņiem ir jābūt pie zemes.

Produkts ir aprīkots ar stiepli zariem mājas zāliena skarificēšanai.

Produkts ir aprīkots ar aeratora uzliku, kas veidot augsnē caurumus, lai samazinātu augsnes sablīvēšanos.

Produkts ir gājēja virzīts no zālāja skarifikators, kas paredzēts stumšanai ar rokām. Produktu nedrīkst vilkt vai uz tā braukt. To nedrīkst izmantot nekādam citam nolūkam, izņemot mājas zālāja skarificēšanai.

Nelietojiet citiem mērķiem.

VISPĀRĒJI ELEKTROINSTRUMENTU DROŠĪBAS BRĪDINĀJUMI

▲ BRĪDINĀJUMS

Izmantojot ierīci, izpildiet drošības noteikumus. Pirms darba uzsākšanas Jūsu un blakusstāvētāju drošības dēļ, lūdzu, izlasiet šos norādījumus. Lūdzu, glabājiet noteikumus drošā vietā vēlākai izmantošanai.

▲ BRĪDINĀJUMS

Izmantojiet izstrādājumu tikai ar akumulatoru blokiem, kas norādīti šajā rokasgrāmatā. Lietojot ar baterijām darbināmu ierīci, vienmēr jāievēro pamata drošības noteikumi, lai samazinātu ugunsgrēka, bateriju iztecēšanu un ievainojumu risku.

PERSONISKĀ DROŠĪBA

- Produkts spēj amputēt rokas un kājas kā arī mest pa gaisu priekšmetus. Nesilaikant visu saugos taisyklīu galima rimtai susizeisti ar net žūti.
- Iepazīstieties ar ierīces vadīšanu un pareizu lietošanu.
- Nekad nepieļaujiet, lai šī izstrādājuma ekspluatāciju, tīrīšanu vai apkopi veiktu bērni, personas ar samazinātām fiziskajām, maņu vai garīgajām spējām vai arī personas, kuras nav iepazīnušās ar šiem norādījumiem. Vietos jstatymai gali apriboti jrengimo operatoriaus amžiu. Nepieciešams pienācīgi uzmanīt bērnus, lai nodrošinātu, ka tie nespēlējas ar ierīci.
- Strādājot ar ierīci, uzmanieties, sekojiet savam darbam un vadieties pēc veselā saprāta. Nedarbiniet šo ierīci, kad esat noguris, slims vai alkohola, narkotisko vielu vai medikamentu ietekmē. Neuzmanība darbā ar ierīci var izraisīt smagus ievainojumus.
- Valkājiet izturīga auduma garās bikses, garās piedurknes un izturīgus, neslīdošus apavus. Nevalkājiet īsas bikses, sandales nestrādājiet ar plikām kājām. Nevelciet vaļīgu apģērbu vai apģērbu ar auklām un lentēm.
- Visada dēvēkite apsauginius akinius su šonine apsauga.

- Nepersitempkite. Vienmēr nodrošiniet kājām stingru atbalstu, it īpaši slīpumā. Visada tvirtai stovēkite ir išlaikykite pusiausvyrā. Ejiet, nekādā gadījumā neskrieniet.
- Lietojiet precī paralēli nogāzēm, nekad no augšas uz leju. Būkite itin atsargūs ant šlaitu keisdami krypti.
- Nelietot izstrādājumu bedru, grāvju, pārlieki stāvu nogāžu vai krasta malu tuvumā. Nestabils pamats var novest pie nejausās paslīdēšanas un kritiena.

DARBA VIETA

- Nekad nelietojiet iekārtu, kamēr tuvumā atrodas cilvēki, it īpaši bērni, vai dzīvnieki.
- Priekšmeti, kurus var mest skarifikatora zari, var izraisīt cilvēkiem smagus ievainojumus. Rūpīgi pārbaudiet vietu, kur lietosiet ierīci un aizvāciet visus akmeņus, žagarus, metālu, vadus, kaulus, rotaļlietas vai citus svešermeņus. Aterieties, stieple vai vads var sapīties ar asmeņiem.
- Izmantojiet precī tikai dienas gaismā vai labā mākslīgā apgaismojumā.
- Nedarbiniet ierīci sprādzienbīstamā vidē, piemēram, degošu šķidrums, gāzu vai putekļu klātbūtnē. Ierīce var radīt dzirksteles, kas var aizdedzināt putekļus vai gāzes.
- Nedarbiniet ierīci mitrā zālē vai lietus laikā.
- Nelietojiet ierīci uz brūgtēm vai grantētām virsmām, kur lidojoši priekšmeti var radīt ievainojumus.
- Lietojiet produktu tikai uz līdzenas virsmas, vadot to ar abām rokām un lietotājam atrodoties aiz rokturiem.
- Izvaieties no skarifikatora lietošanas sliktos laika apstākļos, it īpaši pastāvot zibens triecienam.
- Turēkite omenyje, kad operatorius arba vartotojas yra atsakingas už nelaimingus atsitikimus arba kitiems asmenims ar jų turtui sukeltą pavojų.
- Operatoriui nežinant, kad šalia yra vaikai, gali įvykti nelaimingi atsitikimai. Niekada nemanykite, kad vaikai išliks toje pačioje vietoje, kur juos pirmiau matėte.
- Turiet bėrnus atstatus no apstrādes zonas, lieciet tos pieskatīt atbildīgam pieaugušajam, kas nav plaujmašinas lietotājs, esiet uzmanīgs un izslēdziet izstrādājumu, ja bērns ienāk plaušanas zonā.
- Ievērojiet īpašu piesardzību, tuvojoties nepārskatāmiem stūriem, krūmiem, kokiem vai citiem objektiem, ieskaitot nokareņus augus, kas var aizsegt jūsu skatu.

AR AKUMULATORU DARBINĀMU IERĪČU LIETOŠANA UN KOPŠANA

- Izlasiet, izprotiet un vienmēr ievērojiet akumulatora un lādētāja komplektā iekļautos drošības norādījumus. Pretējā gadījumā varat izraisīt elektrošoku, aizdegšanos vai citas bīstamas situācijas. Visas instrukcijas glabājiet drošā vietā turpmākām uziņām.
- Ar akumulatoru darbināmas ierīces nav jāpievieno elektriskajai kontaktligzdai, tāpēc tās vienmēr ir darba kārtībā. Noņemiet izolatora atslēgu, kad nedarbiniet precī.
- Izņemiet akumulatoru pirms regulēšanas, tīrīšanas vai objektu izņemšanas no ierīces.





- Pirms akumulatora ievietošanas slēdža atslēga noteikti jāizņem.
- Akumulators jālādē tikai ar ražotāja noteikto lādētāju. Lādētāja lietošana ar nesaderīgu akumulatoru var izraisīt ugunsgrēka risku. Akumulatora uzlādēšanai lietojiet tikai nosaukto tipu lādētāju.
- Lietojiet tikai konkrētajai ierīcei paredzēto akumulatoru. Jebkura cita akumulatora lietošana var radīt ugunsgrēka, elektriskā trieciena vai ievainojumu risku.
- Kad nelietojat akumulatoru, neturiet to citu metāla priekšmetu tuvumā, piemēram: papīra saspaušanas, monētas, atslēgas, naglas, skrūves vai citi sīki metāla priekšmeti, kas var veidot savienojumu starp spailēm. Savienojot bateriju paketes terminālus, var rasties dzirksteles, apdegumi, aizdegšanās vai eksplozija.
- Nenovietojiet akumulatoru izstrādājumus vai to akumulatorus uguns vai karstuma avotu tuvumā. Tas palielina eksplozijas un miesas bojājumu gūšanas risku.
- Neatveriet un neizjauciet akumulatoru. Izliets elektrolīts ir korodējošs un var radīt bojājumus acīm vai ādai. Norijot tas ir toksisks.
- Sargājiet akumulatoru no mitruma un ūdens. Nelādējiet akumulatoru mitrā vietā. Šī noteikuma ieviešana samazinās elektrotraumu risku.
- Akumulatora bojājuma un nepareizas lietošanas gadījumā var izdalīties tvaiks. Nodrošiniet svaigu gaisu un sūdzību gadījumā lūdziet medicīnisku palīdzību. Tvaiks var kairināt elpošanas sistēmu.
- Neatstājiet bateriju paketi transportlīdzeklī karstos vai aukstos laikapstākļos.
- Nesadedziniet akumulatoru.
- Nepareizas rīcības gadījumā no akumulatora var izkļūt šķidrums; izvairieties no saskares ar to. Nejaušas saskares gadījumā skalojiet skarto vietu ar ūdeni. Ja šķidrums nokļūst acīs, nepieciešama arī medicīniskā palīdzība. No akumulatora izkļuvušais šķidrums var izraisīt kairinājumu vai apdegumus.

SKARIFIKATORA UN AERATORA DROŠĪBAS BRĪDINĀJUMI

- Produkta zari ir asi. Esiet uzmanīgi un valkājiet izturīgus cimdus, kas pievienojat, nomaināt, tīrāt vai pārbaudāt skrūves drošību.
- Pārbaudiet, vai visas skrūves, uzgriežņi, bultskrūves un citi stiprinājumi ir atbilstoši pievilkti un, vai aizsargi un plāksnes ir vietā. Nomainiet bojātas vai nesalasāmas uzlīmes.
- Pirms izstrādājuma lietošanas, aizvietojiet nolietojušās vai bojātas detaļas.
- Pirms skarificēšanas uzstādiert grūžu savācēju. Iztukšojiet grūžu savācēju, kad tas ir pilns, un uzlieciet atpakaļ pirms atsākt darbu.
- Preci jāiedarbina, lietotājam atrodoties aiz roktura, operatora drošības zonā. Nekad nedarbiniet precī, ja:
 - visi četri riteņi neatrodas uz zemes
 - grūžu izmešanas atvere ir atvērta un to neaizsargā grūžu savācējs un grūžu izmešanas atveres aizsargvāks.
- Nekad nedarbiniet precī, ja iekl./izsl. slēdzis uz roktura pareizi neieslēdzas un neaptur precī.
- Nekad nemēģiniet nobloķēt ieslēgšanas/izslēgšanas slēdzi ieslēgtā stāvoklī - tas ir ļoti bīstami.
- Nepielietojiet spēku, izmantojot ražojumu. Tas darbu darīs labāk un drošāk ar ātrumu, kādam tas ticis izstrādāts.
- Apturiet zaru kustību, šķērsojot akmeņainas virsmas.
- Ievērojiet īpašu piesardzību, kad braucat atpakaļ gaitā vai velkat precī uz sevi.
- Apturiet zaru kustību, ja produktu nepieciešams piecelt, lai pārvietotu, šķērsojot virsmas, kas nav zāle, kā arī pārvietojot produktu uz un no darba zonas.
- Nekad neizmantojiet produktu ar bojātiem aizsargiem vai plāksnēm, bez uzstādītām drošības ierīcēm, piemēram, deflektoriem un/vai grūžu savācējiem.
- Neceliet produktu, ieslēdzot motoru, izņemot, ja ierīce ir jāpaceļ, lai palaistu. Ja galēji nepieciešams, jūs varat paceļt tikai to daļu, kas atrodas tālāk no lietotāja. Vienmēr nodrošiniet, ka abas rokas atrodas darba stāvoklī, atgriežot ierīci uz zemes.
- Uzmanīgi, saskaņā ar norādēm ieslēdziet produktu, turiet rokas un kājas atstatu no zariem. Novietojiet rokas vai kājas zem rotējošām detaļām vai to tuvumā. Visada laikykitēs saugaus atstumo nuo išmetimo angos.
- Nekad nepaceliet vai nesiet precī, kamēr darbojas motors.
- Izslēdziet iekārtu atvienojiet to no strāvas padeves. Pārīecīnieties, ka visas kustīgās daļas ir pilnīgi apstājušās:
 - ja atstājāt precī nepieskatītu (tai skaitā atbrīvojoties no zāles).
 - pirms tīrīt nosprostojumu vai atbrīvotu zāles izmešanas atveri
 - pirms iekārtas pārbaudes, tīrīšanas vai labošanas
 - pēc sadursmes ar kādu priekšmetu; pārbaudiet, vai iekārta nav bojāta, un veiciet pirms iedarbināšanas un lietošanas veiciet nepieciešamos remontdarbus.
- Ja izstrādājums sāk neparasti vibrēt, nekavējoties pārīecīnieties, vai:
 - pārbaudiet, vai nav bojājumu
 - nomainiet vai salabojiet bojātās daļas
 - pārbaudiet un pievelciet vaļīgās detaļas
- Venkīte skylīu, provēžū, īškīlīmū, akmenū ar kītū paslēptū objektū. Nelīdzēna zeme var novest pie nejaušās paslīdēšanas un krtīena.
- Nekavējoties atīadīet rokturī un turīetīes atstatu no produkta, ja:
 - produkts sāk degt
 - aizsargi un/vai korpusi ir bojāti
 - atskānot neparastāi skaņai
 - notīekot negadījūmam vai bojājūmīem
- Vienmēr nodrošiniet, ka motora kontroles kabelis nekad nav iesprūdis, saspiests vai kā citādi bojāts, salīkšanas laikā, vai kad turat rokturī.





⚠ BRĪDINĀJUMS

Pirms grūžu savācēja noņemšanas vai uzstādīšanas pārliecinieties, ka zari ir pilnīgi apstājušies.

⚠ BRĪDINĀJUMS

Nepieskarieties kustīgām bīstamām daļām, pirms izstrādājums ir atvienots no strāvas avota un kustīgās bīstamās daļas ir pilnīgi apstājušās.

PAPILDU AKUMULATORU BLOKA DROŠĪBAS BRĪDINĀJUMI

⚠ BRĪDINĀJUMS

Lai novērstu īssavienojuma izraisītu aizdegšanās, savainojumu vai produkta bojājuma risku, neiegremdējiet instrumentu, maināmo akumulatoru vai uzlādes ierīci šķidrums un rūpējieties par to, lai ierīcēs un akumulatoros neieķūtu šķidrums. Koroziju izraisoši vai vadītspējīgi šķidrums, piemēram, sālsūdens, noteiktas ķīmikālijas, balinātāji vai produkti, kas satur balinātājus, var izraisīt īssavienojumu.

PĀRSLODZES AIZSARDZĪBAS IERĪCE

Šis izstrādājums ir aprīkots ar pārslodzes aizsardzības ierīci. Konstatējot pārsلودzi, izstrādājums automātiski izslēdzas. Ja nostrādā pārsلودzes aizsardzība, dzinējam ir jālauj atdzist 5 līdz 10 minūtes.

Izslēdziet iekārtu un atvienojiet to no strāvas padeves. Zari ir asi, vaikājiet izturīgus cimdus, pirms tiem pieskarties. Pārliecinieties, ka zari var brīvi griezties, nav iespiesti vai stingri.

Kad dzinējs ir atdzisis, pievienojiet kontaktdakšu barošanas avotam un ieslēdziet produktu. Lai iekārtu iedarbinātu, nospiediet palaišanas pogu, pēc tam ieslēgšanas-izslēgšanas pogu. Ja produktu joprojām nevar iedarbināt, veiciet produkta remontu tikai pilnvarotā servisa centrā.

KOPĒJIE SKARIFICĒŠANAS IETEIKUMI

- Noregulējiet griešanas dziļumu, atbilstoši jūsu mauriņam nepieciešamajam un zāles garumam.
- Ja jūsu zālājam ir problēma ar sūnām, noplaujiet zālāju un apstrādājiet ar pret-sūnu līdzekli nedēļu pirms jūs plānojat veikt skarificēšanu.
- Nolaistiet mauriņu pāris dienas pirms skarificēšanas, lai nodrošinātu ka tas ir mitrs, bet nav pāmērīgi slapjš.

TRANSPORTĒŠANA UN UZGLABĀŠANA

- Notīriet visus svešķermeņus no izstrādājuma. Uzglabājiet to vēsā, sausā un labi vēdinātā vietā, kurai nevar piekļūt bērni. Neglabājiet to vietā, kur tuvumā atrodas korozīvas vielas, piemēram dārza darbos izmantojamas ķīmikālijas vai atsaldēšanai domāta sāls. Neuzglabājiet ārpus telpām.
- Transportējot nostipriniet ierīci, lai tā nekustētos un

neapgāztos, jo tas var izraisīt miesas bojājumus un ierīces bojājumus.

⚠ BRĪDINĀJUMS

Paceļot vai sasverot iekārtu apkopes, tīrīšanas, uzglabāšanas vai transportēšanas nolūkos, rīkojieties īpaši uzmanīgi. Zari ir asi, turiet visas ķermeņa daļas nost no zariem, kamēr tie ir atklāti.

LITĪJA BATERIJU TRANSPORTĒŠANA

Transportējiet baterijas saskaņā ar vietējiem un valsts noteikumiem un regulām.

Ievērojiet visas īpašās prasības saistībā ar iepakojšanu un marķēšanu, transportējot trešās puses baterijas. Nodrošiniet, ka baterijas transportā nevar nonākt saskarē ar citām baterijām vai vadītspējīgiem materiāliem, aizsargājot atklātos savienotājus ar nevadošiem izolācijas vāciņiem vai lentēm. Netransportējiet ieplaisājušas baterijas vai baterijas, kurām ir noplūde. Lūdziet padomu kravu pārvadāšanas uzņēmumam.

APKOPE

⚠ BRĪDINĀJUMS

Lietojiet tikai oriģinālās ražotāja rezerves daļas, piederumus un uzgaļus. Pretējā gadījumā var tikt radīti ievainojumi un parādīts slikts sniegums, kā arī var tikt anulēta garantija.

⚠ BRĪDINĀJUMS

Aptarnavimā atlikti būtina itin atdizāi, todėl rekomenduojame, kad tehniņę apziūrą vykdytų kvalifikuotas specialistas. Veiciet apkalpošanu tikai pilnvarotā servisa centrā. Veicot apkopi, lietojiet tikai oriģinālās ražotāja rezerves daļas.

- Apturot produktu apkopei, apskate, glabāšana vai aksesuāru nomainīšanai, izslēdziet sprieguma avotu, atvienojiet to no produkta un pārliecinieties, ka visas kustīgās daļas ir pilnīgi apstājušās. Pirms veicat jebkādas pārbaudes, regulēšanu utt., ļaujiet ierīcei atdzist. Rūpīgi kopiet produktu un uzturiet to tīru..
- Regulāri pārbaudiet grūžu uztvērēju, vai tam nav nodiluma, caurumu vai bojājumu.
- Daudzus šajā lietotāja rokasgrāmatā aprakstītos regulēšanas un remontdarbus varat veikt pats. Cita veida remontam vai konsultācijām, vērsieties pēc padoma autorizētā servisa centrā.
- Drošības apsvērumu dēļ nomainiet nodilušās vai bojātās daļas. Izmantojiet tikai oriģinālās rezerves daļas un piederumus.
- Pēc katras lietošanas reizes notīriet precī ar mīkstu, sausu drāniņu. Jebkura bojāta detaļa jānodod remontam vai nomainīšanai pilnvarotā apkopes centrā.
- Regulāri pārbaudiet visus uzgriežņus, stiprinājumus un skrūves, lai pārliecinātos, ka tās ir cieši pievilktas un izstrādājums ir drošā darba stāvoklī.

EN
FR
DE
ES
IT
NL
PT
DA
SV
FI
NO
PL
RU
CS
HU
RO
LV
LT
ET
HR
SL
SK
BG
UK
TR





- Ievērojiet piesardzību, veidot produkta regulēšanu, lai novērstu pirkstu iespiešanu starp kustīgajiem zariem un nekustīgajām korpusa daļām.
- Veicot zaru bloka apkopi, ņemiet vērā, ka, lai gan barošanas avots ir atslēgts, zaru bloku joprojām var kustināt.
- Produkta zari ir asi. Esiet uzmanīgi un valkājiet izturīgus cimdus, kas pievienojat, nomaināt, tīrīt vai pārbaudāt skrūves drošību.

NOSPROSTOJUMU ATBRĪVOŠANA

- Izslēdziet iekārtu un atvienojiet to no strāvas padeves.
- Pārbaudot un novēršot nosprostojumus, vienmēr izmantojiet izturīgus aizsargcimdus.
- Zari ir asi un nosprostojums pats var būt ass priekšmets.
- Noņemiet grūžu savācēju, pārbaudiet vai nav un izņemiet jebkādas šķēršļus.
- Pārbaudiet zāles izmešanas atveri, vai tajā nav nosprostojumu, un kārtīgi to iztīriet.
- Pagrieziet produktu uz sāna, pārbaudiet tā apakšdaļu un zonu ap zariem. Uzmanīgi iztīriet atrastos nosprostojumus. Atcerieties, ka zari tīrīšanas laikā var kustēties.

OBJEKTĪVIE RISKI

Pat ka prece ir lietota kā noteikts, nav iespējams pilnībā novērst noteiktus riska faktorus. Turpmāk norādītie riski var rasties lietošanas laikā un operatoram īpaša uzmanība jāpievērš, lai izvairītos no turpmāk minētā:

- Vibrācijas radīts ievainojums
 - Vienmēr izmantojiet darbam paredzēto instrumentu. Izmantojiet paredzētos rokturus. Ierobežojiet darba laiku un iedarbību.
- Trokšņa radīti miesas bojājumi
 - Saskarsme ar troksni var radīt dzirdes traucējumus. Valkājiet ausu aizsargu un ierobežojiet saskarsmi.
- Ievainojumi no saskarsmes ar zariem
- Izmetu priekšmetu radīti ievainojumi

RISKA SAMAZINĀŠANA

Ir ticis ziņots, ka vibrācijas no rokas instrumentiem atsevišķos cilvēkos var veicināt kaiti, ko sauc par Reino sindromu. Simptomi var ietvert pirkstu tīkšķēšanu, nejutīgumu un nobālēšanu, parasti aukstā laikā. Tiek uzskatīts, ka tradicionālie faktori, aukstums un mitrums, uzturs, smēķēšana un darba prakse sekmē šo simptomu attīstību. Operators var veikt pasākumus, lai iespējami samazinātu vibrācijas efektu:

- Aukstā laikā ķermenim jābūt siltam. Kad darbināt precīzi valkājiet cimdus, lai rokas un plaukstu locītavas būtu siltas. Ir pētījumi, ka auksts laiks ir galvenais faktors, kas veicina Reino sindromu.
- Ik pēc laika apturiet darbu un veiciet vingrinājumus, kas uzlabo asins cirkulāciju.
- Strādājot jābūt biežiem pārtraukumiem. Ierobežojiet iedarbības ilgumu dienā.

Ja jūs izjūtat kādu no šiem simptomiem, nekavējoties apturiet ierīces lietošanu un sazinieties ar ārstu par šiem simptomiem.

⚠ BRĪDINĀJUMS

Ilgstoša preces lietošana var radīt ievainojumus vai pasliktināt jau esošos. Ilgstoši lietojot jebkuru instrumentu, pārliecinieties, ka tiek veikti regulāri pārtraukumi.

PAZĪSTIET SAVU IERĪCI

Skatīt 134. lappusi

1. Slēdža poga
2. Satveršanas rokturi
3. Slēdži
4. Augšējā roktura stienis
5. Pogas
6. Seškantē atslēga
7. Stieplu zari
8. Slēdža atslēga
9. Aizmugures riteņi
10. Priekšējie riteņi
11. Akumulators
12. Lādētājs
13. Aeratora uzlika
14. Aukščīlo lygio regulatori
15. Akumulatora vāks
16. Aizmugures durtnas
17. Grūžu savācējs
18. Apakšējā roktura mezgls
19. Vadu instalācija

UZ PRECES ESOŠIE SIMBOLI



Drošības brīdinājums



Pirms iedarbināt mašīnu, lūdzu rūpīgi izlasiet instrukcijas.



Lietojiet dzirdes aizsargus



Valkājiet acu aizsargaprīkojumu



Nepakļaujiet lietum vai mitriem apstākļiem.



Sargieties no izmestiem vai lidojošiem priekšmetiem. Rūpējieties, lai visi tuvumā stāvošie, īpaši bērni un dzīvnieki atrastos vismaz 15 m attālumā no darba zonas





Uzmanieties no asajiem zariem.
Zari turpina griezties pēc motora
izslēgšanas.
Pirms apkopes izņemiet bloķēšanas
atslēgu.



Nedarbiniet slīpumā, kas ir lielāks par
15°. Lietojiet precī paralēli nogāzēm,
nekad no augšas uz leju.



Darba platums: 35 cm



Izlietotie elektroprodukti nedrīkst tikt
izmesti kopā ar mājtsaimniecības
atkritumiem. Lūdzu, nododiet tos
attiecīgajās atk ār tolas izmantošanas
vietās. Sazinieties ar savu vietējo varas
pārstāvi vai izplatītāju, lai noskaidrotu,
kur iespējama atkārtota pārstrāde.



Darbarīks atbilst visām normām ES
valstī, kurā tas ir iegādāts.



EurAsian atbilstības marķējums



Ukrainas apstiprinājuma zīme



Uz šīs etiķetes norādītais garantētā
skaņas spiediena jauda ir 95 dB.

SIMBOLI ŠAJĀ ROKASGRĀMATĀ



Atsevišķi nopērkamās daļas vai
piederumi



Piezīme



Brīdinājums

Lai izskaidrotu risku, kas saistīti ar izstrādājumu, līmeni,
paredzēti šādi norādījuma vārdi un jēdzieni.

BĪSTAMI

Norāda draudošo bīstamo situāciju, kas, ja no tās ne-
izvairās, var novest pie nāves vai nopietnas traumas.

BRĪDINĀJUMS

Norāda potenciālo bīstamo situāciju, kas, ja no tās ne-
izvairās, var novest pie nāves vai nopietnas traumas.

UZMANĪBU

Norāda potenciālo bīstamo situāciju, kas, ja no tās
neizvairās, var novest pie nelielas vai vidējas traumas.



Gaminant šį akumuliatorinį parentuvą arba aeratorių didžiausia svarba buvo teikiama jo saugai, efektyvumui ir patikimumui.

NAUDOJIMO PASKIRTIS

Akumuliatorinis parentuvus arba aeratorius skirtas naudoti tik lauke. Purenant arba aeruojant veją, visi keturi ratai privalo liesti žemę.

Įrenginys, su sumontuotais purenimo virbalais, skirtas vejos namų ūkyje purenti.

Įrenginys, su sumontuotu aeratoriaus priedu, skirtas skylėms dirvoje padaryti, kad ji būtų mažiau suplūkta.

Įrenginys yra naudotojo valdomas vejos parentuvus, skirtas stumti rankomis. Įrenginio negalima traukti arba ant jo važiuoti. Juo negalima purenti nieko kito, išskyrus namų ūkio žolės vejas.

Nenaudokite kitais tikslais.

BENDRI ELEKTRINIO ĮRANKIO SAUGOS ĮSPĖJIMAI

▲ ĮSPĖJIMAS

Būtina laikytis saugos reikalavimų naudojantis šiuo produktu. Dėl savo pačių ir šalia esančių asmenų saugumo, perskaitykite šias instrukcijas prieš pradėdami dirbti prietaisu. Išsaugokite šią instrukciją ateičiai.

▲ ĮSPĖJIMAS

Įrenginį naudokite tik su šiąme vadove nurodytu elektros akumuliatoriumi. Naudojant įrankius su akumuliatoriumi, būtina atsižvelgti į elementarias saugumo priemones, kad sumažintumėte gaisro, skysčio iš akumuliatorių ištekėjimo ir sužeidimo pavojų.

ASMENINĖ SAUGA

- Įrenginys gali amputuoti rankas ir pėdas, taip pat svaidyti daiktus. Nesilaikant visų saugos taisyklių galima rimtai susižeisti ar net žūti.
- Gerai žinoti apie valdiklius ir tinkamą krūmapjovės naudojimą.
- Jokiu būdu neleiskite naudoti, valyti ar prižiūrėti prietaisą vaikams, žmonėms su robotais fiziniiais, jutikliniais ar protiniais gebėjimais, arba nesuspėjusiems su šiomis instrukcijomis asmenimis. Vietos įstatymai gali apriboti įrengimo operatoriaus amžių. Vaikus reikia tinkamai prižiūrėti, kad jie nežaistų su krūmapjove.
- Dirbdami su prietaisu būkite budrūs, stebėkite, ką darote bei vadovaukitės sveika nuovoka. Nesinaudokite šiuo įrankiu, kai esate pavargę, sergate, ar esate pavartoję alkoholio, narkotikų ar vaistų. Neatidžiai elgdamiės su šiuo prietaisu galite sunkiai susižeisti.
- Dėvėkite sunkias, ilgas kelnes, ilgas rankoves ir tvirtą, neslystančią avalynę. Neleidžiama vilkėti trumpių kelnių ir avėti sandalų ar būti basiems. Nedėvėkite laisvų drabužių arba drabužių su kabančiais raišteliais arba virvelėmis.

- Visada dėvėkite apsauginius akinius su šonine apsauga.
- Nepersitempkite. Būtinai apsižiūrėkite, kad po kojomis būtų tvirtas pagrindas, ypač dirbdami atšlaitėse. Visada tvirtai stovėkite ir išlaikykite pusiausvyrą. Visada eikite, niekada nebėkite.
- Šlaituose gaminį reikia stumti skersai, jokiu būdu ne aukštyn ir žemyn šlaito. Būkite itin atsargūs ant šlaitų keisdami kryptį.
- Nenaudokite prietaiso arti skardžių, griovių, lapai stačių šlaitų ar pylimų. Galite paslysti ir pargriūti.

DARBO APLINKA

- Niekada nenaudokite šio prietaiso šalia esant kitiems asmenims, gyvūnams, o ypač vaikams.
- Parentuvo virbalių svaidomi objektai gali sukelti sunkių sužalojimų. Gerai patikrinkite tą vietą, kurią pjausite žoliapjove bei pašalinkite visus akmenis, pagalius, metalo gabalus, laidus, kaulus, žaislus ir kitus pašalinius objektus. Reikia atminti, kad virvė arba viela gali įsipainioti į pjovimo įtaisus.
- Gaminį galima naudoti tik dienos šviesoje arba esant geram dirbtiniam apšvietimui.
- Nenaudokite prietaiso, jei šalia yra degios ir sprogti galinčios medžiagos (skysčiai, dujos ar dulkės). Prietaisas gali kibirkščiuoti ir gali uždegti dulkes arba garus.
- Nenaudokite įrankio ant šlapios žolės bei lietuje.
- Prietaiso nenaudokite ant grįstos ar žvyro dangos, kur išmestos medžiagos gali sukelti sužeidimus.
- Naudokite įrenginį tik ant lygaus paviršiaus, stumdami jį abiem rankomis, laikydami už strypinės rankenos, eidami paskui jį.
- Stenkitės nenaudoti parentuvo prastomis oro sąlygomis, ypač, jie kyla žaibo pavojus.
- Turėkite omenyje, kad operatorius arba vartotojas yra atsakingas už nelaimingus atsitikimus arba kitiems asmenims ar jų turtui sukeltą pavojų.
- Operatoriui nežinant, kad šalia yra vaikai, gali įvykti nelaimingi atsitikimai. Niekada nemanykite, kad vaikai išliks toje pačioje vietoje, kur juos pirmiau matėte.
- Pasirūpinkite, kad darbo vietoje nebūtų vaikų ir kad juos prižiūrėtų atsakingas suaugusysis, kuris nėra operatorius, būkite atidūs ir išjunkite gaminį, jei į pjovimo vietą ateina vaikas.
- Būkite ypač atsargūs artėdami prie kampų, už kurių nesimato, krūmokšnių, medžių ar kitų objektų, įskaitant kabančius krūmus, galinčius jums užstoti vaizdą.

ĮRANKIO SU AKUMULIATORIUMI NAUDOJIMAS IR PRIEŽIŪRA

- Perskaitykite, supraskite ir griežtai vadovaukitės saugos instrukcijomis, pridedamomis prie prietaiso baterijos ir įkroviklio. Nesilaikant saugos instrukcijų, gali įvykti elektros smūgis, kilti gaisras ar kitos pavojingos situacijos. Visas instrukcijas laikykite kartu saugioje vietoje, kad prireikus galėtumėte jas bet kada paskaityti.
- Akumuliatorinių įrankių prie maitinimo šaltinio prijungti nereikia, todėl jie visuomet paruošti naudoti. Kai gaminys nenaudojamas, reikia ištraukti izoliatoriaus raktą.





EN
FR
DE
ES
IT
NL
PT
DA
SV
FI
NO
PL
RU
CS
HU
RO
LV
LT
ET
HR
SL
SK
BG
UK
TR

- Prieš reguliuodami, valydami įrankį ar šalindami nuopjovas iš įrankio, visada išimkite akumuliatorių.
- Patikrinkite, ar izoliatoriaus raktas yra ištrauktas tik tada tvirtinkite akumuliatorių.
- Pakartotinai kraukite akumuliatorių tik naudodami gamintojo nurodytą įkroviklį. Naudojant įkroviklį su nesuderinamu akumuliatoriumi gali sukelti gaisro pavojų. Akumuliatorių naudokite tik su sąraše pateiktu įkrovikliu.
- Naudokite tik šiam įrankiui skirtą akumuliatorių. Kitokių akumuliatorių naudojimas gali sukelti gaisrą, elektros smūgį ar sužeidimus.
- Kai akumuliatorius nenaudojamas, jį laikykite toliau nuo kitų metalinių daiktų, pavyzdžiui, sąvaržėlių, monetų, raktų, vinių, varžtų ar kitų mažų metalinių daiktų, kurie vieną gnybtą gali sujungti su kitu. Įvykus baterijų paketo gnybtų trumpajam jungimui, gali pasipilti kibirkštys, apdegti aplinkiniai objektai, įvykti gaisras ar sprogimas.
- Baterinių įrankių ar jų baterijų nelaikykite prie ugnies ar karščio. Taip sumažinsite sprogimo ir sužeidimų pavojų.
- Niekada nebandykite akumuliatoriaus atidaryti ar išardyti. Išsiskiriantys elektrolitai yra koroziniai bei gali pakenkti akims ir odai. Juos prarijus, jie gali būti nuodingi.
- Akumuliatorių saugokite nuo drėgmės ir vandens. Įrankio neįkraukite drėgnose ar šlapiose vietose. Šios taisyklės laikymasis sumažins elektros smūgio riziką.
- Akumuliatorių pažeidus gali išsiskirti garai. Išėikite į gryną orą ir jei vis dar prastai jaučiatės, kreipkitės į gydytojus. Garai gali dirginti kvėpavimo organus.
- Nepalikite baterijų paketo transporto priemonėje, kai karšta arba šalta.
- Akumuliatoriaus nedeginkite.
- Netinkamomis sąlygomis iš akumuliatoriaus gali ištekėti skystis - nelieskite jo. Jei atsitiktinai prisilietėte - nuplaukite vandeniu. Jei skystis pateko į akis, papildomai kreipkitės į gydytoją. Iš akumuliatoriaus ištekėjęs skystis gali nudeginti ar sukelti sudirginimus.

PURENTUVO IR AERATORIAUS NAUDOJIMO SAUGOS TAISYKLĖS

- Įrenginio virbalai yra aštrūs. Montuojant, keičiant dalis, valant ar tikrinant varžtų įsukimo tvirtumą, reikia būti atsargiems ir mūvėti patvarias pirštines.
- Patikrinkite, ar tinkamai priveržti visi varžtai, veržlės, sraigčiai ir kitos tvirtinimo dalys, taip pat, ar tinkamai sumontuoti visi apsauginiai gaubtai ir užtvarai. Pakeiskite pažeistas ar neįskaitomas etiketes.
- Prieš naudodami prietaisą, pakeiskite susidėvėjusias ar pakenktas dalis.
- Prieš pradėdami purenti, sumontuokite šiuokšlių rinktuvą. Ištuštinkite šiuokšlių rinktuvą, kai jis bus pilnas, ir vėl jį sumontuokite, prieš tęsdami darbą.
- Gaminį reikia paleisti naudotojui stovint už vairalazdžių, saugos zonoje. Jokiu būdu negalima paleisti gaminio, jeigu:
 - ne visi keturi ratai atsirėmę į žemę;

- Šiuokšlių išmetimo anga yra atidengta ir jos neuždengia šiuokšlių rinktuvas ir šiuokšlių išmetimo angos dangtis.
- Gaminio jokiu būdu negalima naudoti, jeigu jį/išjungtiklio ant vairalazdės neįmanoma tinkamai paleisti ir tai stabdo gaminį.
- Niekada nebandykite užfiksuoti įjungimo / išjungimo jungiklių įjungimo padėtyje, nes tai – nepaprastai pavojinga.
- Nenaudokite per didelės jėgos. Prietaisą naudodami pagal pagamintą tinkamą greitį, darbą atliksite geriau ir saugiau.
- Išjunkite virbalus važiuodami žvyro takais.
- Gaminį stumiant atbula eiga arba traukiant reikia būti ypatingai atsargiems.
- Išjunkite virbalus, jei įrenginį reikia paversti, transportuojant jį ne žole apaugusiais paviršiais ir transportuojant įrenginį į darbo vietą ir iš jos.
- Niekada nenaudokite įrenginio, jei jo apsauginiai gaubtai ar užtvarai yra apgadinti, arba jei nėra apsauginių įtaisų, pavyzdžiui, jei nesumontuoti kreiptuvai ir (arba) šiuokšlių rinktuvas.
- Nepaverskite įrenginio užvesdami variklį, išskyrus tą atvejį, jei įrenginį reikia paversti, kad jis pradėtų judėti. Jei tai absoliučiai būtina, galima pakelti tik nuo naudotojo atokiai esančią įrenginio dalį. Abi rankos visada privalo būti darbo padėtyje, prieš nuleidžiant įrenginį ant žemės.
- Įrenginį įjunkite atsargiai, laikydamiesi nurodymų ir laikydami rankas bei pėdas atokiai nuo virbalų. Rankų ar kojų nelaikykite šalia besisukančių detalių ar jo jomis. Visada laikykitės saugaus atstumo nuo išmetimo angos.
- Jokiu būdu negalima kelti gaminio ar jį nešti veikiant varikliui.
- Išjungti gaminį ir atjungti jį nuo maitinimo tinklo. Patikrinkite, ar visos judančio dalys visiškai nustojo sukintis:
 - paliekant gaminį be priežiūros (taip pat išmetant žolės nuopjovas).
 - prieš valydami užsikimšusią žolę arba atkimšdami iškrovimo angą
 - prieš tikrindami ar valydami prietaisą arba prieš pradėdami juo pjauti žolę;
 - prietaisui atsitrengus į pašalinį objektą: apžiūrėkite, ar prietaisas neapgadintas ir, jei reikia, pasirūpinkite, kad prieš jį vėl paleidžiant ir naudojant būtų pataisytas;
- Jei gaminys pradeda neįprastai vibruoti, nedelsdami patikrinkite:
 - patikrinkite, ar jis neapgadintas
 - pakeiskite ar suremontuokite visas pažeistas dalis
 - patikrinkite, ar nėra atsilaisvusių detalių ir jas priveržkite
- Venkite skylių, provėžų, iškilimų, akmenų ar kitų paslėptų objektų. Nelygioje teritorijoje galima paslysti ir išgrūti.
- Nedelsdami atleiskite rankeną ir pasitraukite nuo įrenginio:



- jei įrenginys užsiliepsnoja;
 - jei būtų pažeistas apsauginis gaubtas ir (arba) korpusas;
 - jei įrenginys pradėtų skleisti neįprastą garsą;
 - jei įvyktų nelaimingas atsitikimas arba gedimas.
- Surenkant gaminį ar lankstant rankeną, būtina reikia patikrinti, ar neįstrigęs, nesuspaustas ar kitaip nepažeistas variklio valdymo laidas.

ĮSPĖJIMAS

Būtinai palaukite, kol virbalai visiškai sustos, prieš nuimdami ar sumontuodami šiuokšlių rinktuvą.

ĮSPĖJIMAS

Nelieskite pavojingų judančių dalių, kol įrenginys bus atjungtas nuo elektros tinklo, o judančios pavojingos dalys visiškai sustos.

PAPILDOMI AKUMULIATORIAUS SAUGOS ĮSPĖJIMAI

ĮSPĖJIMAS

Siekdami išvengti trumpojo jungimo sukeliama gaisro pavojaus, sužalojimų arba produkto pažeidimų, neikiškite įrankio, keičiamo akumulatoriaus arba įkroviklio į skysčius ir pasirūpinkite, kad į prietaisus arba akumulatorius nepatektų jokių skysčių. Koroziją sukeliantys arba laidūs skysčiai, pvz., sūrus vanduo, tam tikri chemikalai ir balikliai arba produktai, kurių sudėtyje yra baliklių, gali sukelti trumpąjį jungimą.

APSAUGOS NUO PERKROVOS ĮTAISAS

Gaminys turi apsaugos nuo perkrovų įtaisą. Aptikęs perkrovą, gaminys automatiškai išsijungs. Jei apsaugos nuo perkrovos įtaisas būtų suaktyvintas, reikia palaukti 5–10 minučių, kol atvės variklis.

Išjungti gaminį ir atjungti jį nuo maitinimo tinklo. Virbalai yra aštrūs, todėl, prieš juos liestdami, užsidėkite tvirtas pirštines. Įsitikinkite, kad virbalai gali laisvai sukstis, kad jie nestringa arba nėra įtempti.

Varikliui atvėsus, prijunkite kištuką prie elektros lizdo ir įjunkite įrenginį. Norėdami paleisti prietaisą, paspauskite paleidimo mygtuką „Start“ (paleisti), tada jį / išj. mygtuką „On-off“. Jei įrenginys vis dar neįsijungia, pristatykite jį tik į įgaliojimą techninės priežiūros centrą, kad jį patikrintų.

PAGRINDINIAI PATARIMAI, KAIP PARENTI VEJĄ

- Sureguliuokite purenimo gylį atsižvelgdami į savo veją ir žolės aukštį.
- Suplanavę purenti veją, savaitę prieš tai nupjaukite vejos žolę ir panaudokite samanų šalinimo priemonę, jei joje yra samanų.
- Palaistykite veją kelias dienas prieš purenimą, kad veja būtų drėgna, bet ne per daug šlapia.

GABENIMAS IR LAIKYMAS

- Nuo įrankio nuvalykite visas pašalines medžiagas. Laikykite vėsioje, sausoje, gerai vėdinamoje ir vaikams nepasiekiamoje vietoje. Nelaikykite jo arti nuo tokių koroziją sukeliančių reagentų kaip cheminės sodnininkystės medžiagos arba druskos, naudojamos prieš apledėjimą. Nelaikykite lauke.
- Paruošiant gabenimui, gaminį reikia pritvirtinti, kad nejudėtų ir nenukristų, nes priešingu atveju jis gali sužaloti žmones arba sugesti pats.

ĮSPĖJIMAS

Būkite ypatingai atsargūs keldami ar pakreipdami prietaisą atlikti priežiūros, valymo darbus, padėti į sandėlį ar transportuoti. Virbalai yra aštrūs, todėl visos kūno dalys privalo būti atokiai nuo virbalų, kai jie nėra uždengti apsauginiu dangčiu.

LIČIO BATERIJŲ TRANSPORTAVIMAS

Akumuliatorių gabenkite pagal vietinius ir šalies reikalavimus bei nuostatas.

Akumulatorius gabenant trečiajai šaliai būtina laikytis visų specialių reikalavimų, nurodytų pakuotėse ir etiketėse. Užtikrinkite, kad gabenimo metu nei vienas akumulatorius nesiliestų su kitais akumulatoriais arba laidžiosiomis medžiagomis – apsauginius jungiamuosius elementus uždenkite izoliacinėmis nelaidžiosiomis movomis arba juosta. Įskilusių ir tekančių akumuliatorių negabenkite. Dėl tolesnių patarimų kreipkitės į transporto įmonę.

PRIEŽIŪRA

ĮSPĖJIMAS

Keitimui naudokite tik originalias gamintojo atsargines dalis. Neoriginalios dalys gali būti sužeidimų ir įrenginio blogo veikimo priežastis, ir dėl to gali būti anuliuotas garantinis pažymėjimas.

ĮSPĖJIMAS

Aptarnavimą atlikti būtina itin atidžiai, todėl rekomenduojame, kad techninę apžiūrą vykdytų kvalifikuotas specialistas. Įrenginį techninei priežiūrai pristatykite tik į įgaliojimą techninės priežiūros centrą. Atlikdami prietaiso techninę priežiūrą, keitimui naudokite tik originalias, prietaiso gamintojo atsargines dalis.

- Norėdami vykdyti įrenginio techninės priežiūros ar patikros darbus, paruošti jį sandėliavimui ar pakeisti priedą, išjunkite jį, atjunkite nuo elektros tinklo ir įsitikinkite, kad visos judančios dalys visiškai sustojo. Prieš prietaisą tikrindami, reguliuodami ir t.t. palaukite, kol jis atvės. Įrenginys privalo būti techniškai tvarkingas ir švarus.
- Dažnai tikrinkite šiuokšlių rinktuvą, ar jis nenusidėvėjo, ar jame nėra skylių ar įtrūkimų.



- Prietaisą galite reguliuoti ir remontuoti, kaip aprašyta šiame naudotojo vadove. Dėl kitų dalių taisymo ar pagalbos taisant reikia kreiptis į įgaliotą techninio aptarnavimo centrą.
- Nusidėvėjusias ar apgadintas detales pakeiskite, kad nekiltų pavojaus saugumui. Naudokite tik originalias atsargines detales ir priedus.
- Po kiekvieno naudojimo, išvalykite įrenginį sausu švelnaus audinio gabalėliu. Bet kurią apgadintą detalę leidžiama remontuoti arba keisti tik autorizotame aptarnavimo centre.
- Dažnai tikrinkite visas varžles, varžtus ir sraigtus, ar jie tvirtai laikosi ir ar gaminys yra saugios darbo būklės stovyje.
- Būkite atsargūs reguliuodami įrenginį, kad neprispaustumėte pirštų tarp judančių virbalų ir fiksuotųjų įrenginio dalių.
- Prieš pradėdami virbalų bloko techninės priežiūros darbus, nepamirškite, kad, net ir išjungus energijos šaltinį, virbalų blokas vis tiek gali sukelti.
- Įrenginio virbalai yra aštrūs. Montuojant, keičiant dalis, valant ar tikrinant varžtų įsukimo tvirtumą, reikia būti atsargiems ir mūvėti patvarias pirštines.

UŽSIKIMŠIMŲ VALYMAS

- Išjungti gaminį ir atjungti jį nuo maitinimo tinklo.
- Tikrinant, ar gaminys neužsikimšęs bei šalinant kamštį, būtina dėvėti storas darbo pirštines.
- Virbalai yra aštrūs, be to, tai, kas juos gali užblokuoti, taip pat gali būti aštrus daiktas.
- Nuimkite šiukšlių rinktuvą, patikrinkite, ar nėra jį blokuojančių daiktų, ir atsargiai juos pašalinkite.
- Patikrinkite žolės šalinimo angą, kad nebūtų blokuojančių objektų, ir atidžiai juos pašalinkite.
- Paverskite įrenginį ant šono, patikrinkite įrenginio apačią ir vietą aplink virbalus. Radę blokuojančių daiktų, atsargiai juos pašalinkite. Atminkite, kad valant įrenginį, virbalai gali pajudėti.

ŠALUTINIAI PAVOJAI

Net naudojant gaminį pagal nurodymus, neįmanoma visiškai atmesti visų pavojaus veiksnių. Naudojant gaminį gali kilti toliau išvardinti pavojai ir naudotojas turi kreiptis ypatingą dėmesį, kad jų išvengtų:

- Vibracijos sukeltas sužalojimas
 - Darbą reikia atlikti naudojant tik tam skirtus įrankius. Naudokitės specialiai laikymui skirtomis rankenomis. Ribokite darbo laiką ir vibracijos poveikį.
- Triukšmo sukelta trauma
 - Ilgai būnant triukšme, galima pakenkti klausai. Dėvėkite akių apsaugą ir ribokite poveikio trukmę.
- susižalojimas prisilietus prie akėtvirbalų
- Sužalojimai nuo išmetamų objektų

RIZIKOS MAŽINIMAS

Turime pranešimų, kad vibracija nuo ranka laikomų įrankių kai kuriems asmenims gali turėti neigiamos įtakos vystantis Raynaud sindromui. Šios ligos požymiai yra pirštų dilgčiojimas, nutirpimas ir pabalimas, paprastai pasireiškiantis nuo šalčio. Šie simptomai vystosi dėl paveldimų veiksnių, nesisaugant nuo šalčio ir drėgmės, dėl mitybos, rūkymo ir darbo praktikos. Operatorius gali imtis šių priemonių, kurios gali sumažinti vibracijos poveikį:

- Apsirenkite kuo šilčiau šaltu oru. Naudojant gaminį, reikia mūvėti pirštines, kad plaštakos ir riešai neatšaltų. Turime pranešimų, kad Raynaud sindromas labiausiai vystosi nuo šalto oro sąlygų.
- po darbo kiekvieną kartą pasportuokite, kad pagerėtų kraujotaka;
- dažnai darykite darbo pertraukas. Aprobokite darbo laikotarpį per dieną.

Jei jus pasireiškia kokie nors šios būklės simptomai, nedelsdami nutraukite darbą ir kreipkitės į gydytoją.

⚠ ĮSPĖJIMAS

Ilgiau naudojant, įrankis kelia sužeidimų pavojų ir apsunkina darbą. Ilgiau naudojant įrankius, reikia reguliariai daryti pertraukas.

PAŽINKITE SAVO GRANDININĮ PJŪKLĄ

Žr. 134.psl.

1. Įjungimo mygtukas
2. Rankenos
3. Gaidukai
4. Viršutinės rankenos vamzdis
5. Rankenėlės
6. Šešiakampis veržliaraktis
7. Virbalai
8. Užvedimo raktelis
9. Galiniai ratukai
10. Priekiniai ratukai
11. Baterija
12. Įkroviklis
13. Aeratoriaus priedas
14. Aukščio lygio regulatorius
15. Akumuliatoriaus dangtis
16. Galinės durelės
17. Šiukšlių rinktuvas
18. Apatinės rankenos konstrukcija
19. Laidas

SIMBOLIAI ANT ĮRENGINIO



Pranešimas apie saugumą



Atidžiai perskaitykite instrukcijas prieš pradėdami naudoti mechanizmą.



Dėvėkite ausų apsaugos priemones





Dėvėkite apsauginius akinius



Nenaudoti lyjant ar esant drėgnoms sąlygoms.



Saugokitės išmetamų arba skrendančių objektų. Visi pašaliniai asmenys, ypač vaikai ir naminiai gyvūnai, turi būti ne arčiau kaip 15 m nuo darbo vietos.



Virbalai yra aštrūs – būkite atsargūs! Išjungus variklį, virbalai dar kurį laiką sukasi.

Ištraukite izoliatoriaus raktelį, prieš atlikdami techninę priežiūrą.



Žoliapjovės nenaudokite ant šlaitų, kurių nuožulnumo kampas yra didesnis nei 15°. Šlaituose gaminį reikia stumti skersai, jokių būdu ne aukštyr ir žemyn šlaito.



Darbinis plotis: 35 cm



Elektrinių produktų atliekos neturi būti metamos kartu su namų ūkio atliekomis. Prašome perdirbkite jas ten, kur yra tokios perdirbimo bazės. Dėl perdirbimo patarimo kreipkitės į savo vietinę savivaldybę ar pardavėją.



Šis prietaisas atitinka visas reglamentuotas normas ES šalies, kur jis buvo nupirktas.



„EurAsian“ atitikties ženklas



Ukrainos atitikties ženklas



Garantuotas garso galios lygis rodomas šioje etiketėje yra 95 dB.

SIMBOLIAI VADOVE



Detalės arba priedai yra parduodami atskirai



Pastaba



Įspėjimas!

Šie signaliniai žodžiai yra skirti nurodyti su prietaiso naudojimu susijusio pavojaus lygį.

⚠ PAVOJUS

Reiškia ypač pavojingą padėtį, kurios neišvengus bus patirti sunkūs ar net mirtini sužeidimai.

⚠ ĮSPĖJIMAS

Reiškia potencialiai pavojingą situaciją, kurios neišvengus galimi sunkūs ar net mirtini sužeidimai.

⚠ ATSARGIAI

Reiškia potencialiai pavojingą situaciją, kurios neišvengus galimi lengvi ar vidutinio sunkumo sužeidimai.

ATSARGIAI

Be įspėjamųjų simbolių

Reiškia nuosavybės žalos tikimybę.



Juhtmeta murukobestaja või õhutaja juures on peetud esmatähtsaks ohutust, töövoimet ja töökindlust.

OTSTARBEKOHANE KASUTAMINE

Juhtmeta murukobestaja või õhutaja on mõeldud kasutamiseks ainult väliitingimustes. Kobestamise või õhutamise ajal peavad kõik neli ratast maapinda puudutama.

Toode on varustatud muru koduaias kobestamiseks kobestusharudega.

Õhutustarvikuga varustatud toode on ettenähtud pinnasesse aukude tegemiseks, et vähendada pinnase kokkusurutust.

Toode on käies juhitud ja kätega lükatav murukobestaja. Toodet ei tohi tõmmata ega sellel sõita. Seda ei tohi kasutada muuks, kui koduaias muru kobestamiseks.

Ärge kasutage ühekski muuks otstarbeks.

ELEKTRITÖÖRIISTADE OHUTUSE ÜLDESKIRJAD

⚠ HOIATUS

Seadme kasutamisel tuleb järgida ohutusreegleid. Teie ja kõrvalseisjatele ohutuse tagamiseks lugege käesolevad juhised enne seadme kasutamist läbi. Hoidke juhend edaspidiseks kasutamiseks alles.

⚠ HOIATUS

Kasutage toodet ainult selles kasutajajuhendis määratud akuga. Akutööriistade kasutamisel tuleb järgida üldisi ohutusnõudeid, et vähendada tulekahjust ja lekkivatest akudest tingitud ohu ning vältida kehavigastusi.

ISIKUKAITSE

- Toode võib käded või jalad maha lõigata ning esemeid lendu paisata. Kõikide ohutusjuhiste mittetäitmine võib põhjustada tõsiseid vigastusi või surma.
- Õppige tundma kõiki seadme juhtseadiseid ja kasutusnõudeid.
- Ärge lubage lapsi ega piiratud füüsiliste, sensoorsete ja vaimsete võimetega inimesi ning nende juhistega mittetutvunud inimesi seadet kasutada, puhastada ja hooldada. Kohalikud regulatsioonid võivad seada kasutaja vanusele piiranguid. Laste järele tuleb piisavalt valvata, et nad seadmega ei mängiks.
- Seadmega töötamisel jälgige tööpiirkonda ja kasutage sealjuures tervet mõistust. Ärge kasutage tööriista väsinuna või haigena ega siis, kui olete uimastite, alkoholi või ravimite mõju all. Hetkeline tähelepanu hajumine muruniiduki kasutamise ajal võib põhjustada raske kehavigastuse.
- Kandke tugevaid pikki pükse, pikki varrukaid ja vastupidavaid libisemiskindlaid jalanõusid. Ärge kandke lühikesi pükse ja sandaale ega olge paljajalu. Vältige selliste riiete kandmist, mis on lõdvad või millel on paelad või sidemed.

- Kandke alati küljekaitsetega kaitseprille.
- Ärge kummardage. Töötamisel, eriti kallakul, tagage endale kindel jalgealune. Hoidke kindlat jalgade asendit ja tasakaalu. Töötamisel kõndige, ärge kunagi jookske.
- Töötamisel suunduge piki kallakut, mitte aga üles või alla. Olge ülimalt ettevaatlik, kui muudate kallakul olles suunda.
- Ärge püüdke niita järsakute ja kraavide serval või suurel kaldel ja teetammidel. Halb jalgade asend võib põhjustada libisemist ja kukkumist.

TÖÖKOHT

- Ärge kasutage seadet, kui läheduses on teisi inimesi, eriti lapsi või lemmikloomi.
- Kobestaja teradelt löögi saanud esemed võivad inimestele raskeid vigastusi põhjustada. Kontrollige muruniiduki kasutamise ala hoolikalt üle ja eemaldage kõik kivid, vaiad, metallesemed, traat, kondid, mänguasjad ning muud esemed. Pidage meeles, et nõbrid ja traadid võivad takerduda lõiketeradesse.
- Kasutage kultivaatorit ainult päevavalguses või hästivalgustatud kohas.
- Ärge kasutage muruniidukit plahvatusohtlikes keskkondades, näiteks kergestisüttivate vedelike ja gaaside läheduses ega tolmuses kohas. Elektritööriistad võivad tekitada sademeid, mis võivad tolmuga või aurud süüdata.
- Ärge kasutage muruniidukit niiskes või märjas kohas ega vihmäs.
- Ärge kasutage masinat sillutatud või kruusaga kaetud pinnal, kus väljalastav materjal võib põhjustada vigastusi.
- Kasutage toodet üksnes tasasel maapinnal ja juhtige seda kahe käega lükates, olles ise käepideme taga.
- Ärge kasutage toodet halva ilmaga, eriti äikeseohu korral.
- Pidage meeles, et operaator või kasutaja on vastutav õnnetuste või ohuolukordade eest, mis võivad puudutada teisi inimesi või nende vara.
- Traagilised õnnetused võivad juhtuda, kui kasutaja ei märka laste kohalolekut. Ärge eeldage kunagi, et lapsed püsivad seal, kus te neid viimati nägite.
- Hoidke lapsed tööalast eemal ja mõne vastutava täiskasvanu valvsa pilgu all; olge valmis toodet välja lülitama, kui laps satub tööalale.
- Olge eriti hoolikas, kui lähenete pimedatele nurkadele, põõsastele, puudele või teistele objektidele (nt rippuvad taimed), mis võivad vaadet takistada.

AKUTÖÖRIISTA KASUTAMINE JA KORRASHOID

- Lugege aku ja akulaadija komplektis olevad ohutusjuhised läbi ja tehke need endale selgeks. Selle nõude eiramine võib põhjustada elektrilööki, tulekahju ja muid ohtlikke olukordi. Hoidke kõiki juhiseid ühes kindlas kohas, et saaksite neid tulevikus lugeda.
- Akutoitega seadmeid ei pea pingestamiseks vooluvõrgu pistikupessa ühendama – need on pinges all kogu aeg. Kui seadet ei kasutata, eemaldage sellelt lahkliiti võti.
- Enne reguleerimist, hooldamist või lõigatavast materjalist puhastamist võtke akupakett välja.

EN
FR
DE
ES
IT
NL
PT
DA
SV
FI
NO
PL
RU
CS
HU
RO
LV
LT
ET
HR
SL
SK
BG
UK
TR





- Enne akupaketi sissepanekut võtke lülitusvõti välja.
- Akupaketti tohib laadida ainult tootja poolt ettenähtud laadijaga. Akupaketiga mittesobiva laadija kasutamine võib põhjustada tuleohtu. Kasutage akupaketi laadimiseks ainult juhendis mainitud laadijat.
- Kasutage ainult seda akupaketti, mis on sellele seadmele ette nähtud. Muude akupakettide kasutamise korral võib tekkida tulekahju, elektrilöögi või kehavigastuse oht.
- Sel ajal kui akupakett ei ole kasutusel, hoidke seda eemal metallesemetest nagu kirjaklambrid, mündid, võtmed, naelad, kruvid ja muudest väikestest metallobjectidest, mis võivad akuklemmid lühistada. Akupaketi klemmide lühistamine võib põhjustada sädemeid, põletust, tulekahju või plahvatust.
- Ärge jätke akusid või toiteelemente lahtise tule lähedusse või kuuma kohta. Selle juhise järgimine vähendab plahvatuse ja võimaliku kehavigastuse ohtu.
- Ärge akupaketti avage ega osadeks lahutage. Vabanev elektrolüüt on korrodeeriv ja võib põhjustada silma- ja nahavigastusi. Allaneelamisel on see mürgine.
- Kaitske akut niiskuse ja vee vastu. Ärge laadige akut niiskes või märjas kohas. Selle reegli järgimine vähendab elektrilöögi ohtu.
- Aku vigastamise või ebaõige kasutamise korral võib eralduda gaase. Kaebuste korral minge värske õhu kätte ja kutsuge arstiabi. Gaasid võivad ärritada hingamissüsteemi.
- Ärge jätke akupaketti sõidukisse kuuma või külma kätte.
- Ärge püüdke akut põletamise teel hävitada.
- Aku vale kasutamise korral võib akuedelik välja voolata - vältige sellega kokkupuudet. Akuedeliku nahale sattumisel peske see veega maha. Akuedeliku silma sattumisel pöörduge arsti poole. Väljapritsvitud akuedelik võib tekitada nahaärritust või -põletust.

KOBESTAJA JA ÕHUTAJA OHUTUSJUHISED

- Toote terad on teravad. Olge nende paigaldamise, asendamise ja kinnituspoldi kinnituse kontrollimise ajal väga ettevaatlik ning kandke tegevdatud kaitsekindaid.
- Kontrollige, kas kõik kruvid, mutrid, poldid ja muud kinnitusdetailid on korralikult kinni ning kaitsed omal kohal. Asendage vigastatud või mitteleotavad sildid.
- Asendage kulunud või vigastatud osad, enne kui hakkate seadet kasutama.
- Enne kobestamist asetage kohale prahikoguja. Tühjendage täis prahikoguja ja enne töö jätkamist asetage tagasi.
- Kasutaja peab muruniiduki käivitamise ajal olema juhtraua taga ohutus kohas. Ärge mingil juhul käivitage muruniidukit, kui:
 - kõik neli ratast ei toetu maapinnale,
 - prahi väljalaskeava on avatud ning seda ei kaitse prahikoguja ega prahi väljalaskeava kate
- Ärge seadet kasutage kui juhtraual olev sisse/ välja lülitamise lüliti ei käivita või seiska seadet nõuetekohaselt.

- Ärge kunagi lukustage sees/väljas (on/off) lüliti sees- asendisse; see on äärmiselt ohtlik.
- Ärge kasutage töötamisel liigset jõudu. Õigesti valitud tööriist töötab paremini ja ohutumalt selles võimsuspiirkonnas, milleks on see ette nähtud.
- Peatage terad, kui ületate kruusaga kaetud pinda.
- Tagurpidi liikudes või kultivaatorit tõmmates olge äärmiselt ettevaatlik.
- Peatage terad, kui toodet on tarvis kallutada, et ületada pindu, mille katteks ei ole muru ning toote transportimisel tööalale ja sealt ära.
- Toodet ei tohi kasutada, kui kaitsed on kahjustatud või kui kaitsevahendid (nt suunaja ja/või prahikoguja) ei ole paigaldatud.
- Ärge toodet kallutage mootori sisselülitamise ajal, v.a siis, kui masinat peab käivitamiseks kallutama. Ainult äärmise vajaduse korral võib tõsta seda osa, mis on kasutajast eemal. Veenduge, et hoiate mõlema käega tugevasti kinni, enne kui masina tagasi maapinnale lasete.
- Lülitage toode juhiseid järgides ettevaatlikult sisse ning hoidke käed ja jalad teradest eemal. Ärge pange oma käsi või jalgu pöörlevate osade alla või lähedusse. Hoidke alati puisteavast eemal.
- Ärge mingil juhul mootori töötamise ajal kultivaatorit üles tõstke ega kandke.
- Lülitage seade välja ja ühendage toitevõrgust lahti. Veenduge, et kõik masina liikuvad osad on täielikult seiskunud:
 - kui jätate seadme järelevalveta (kui kõrvaldate lõikmeid),
 - enne takistuse eemaldamist või väljalaskeava ummistuse puhastamist
 - enne kontrollimist, puhastamist või teenindamist,
 - pärast võõrkehade vastu sattumist, enne uuesti käivitamist vaadake see vigastuste suhtes üle ja tehke vajadusel remont,
- Kui toode hakkab ebatavaliselt vibreerima, peatage see viivitamatult, et:
 - kontrollige üle vigastuste suhtes
 - asendage või parandage kõik vigastatud osad
 - kontrollige ja pingutage lõtvunud osad
- Vältige auke, vagusid, konarusi, kive ja muid varjatud objekte. Ebatasane pinnas võib põhjustada libisemist ja kukkumist.
- Laske käepidemest lahti ja astuge tootest eemale, kui:
 - toode läheb põlema
 - kaitse ja/või korpus on katki
 - tekib imelik hää
 - toimub õnnetus või rike
- Veenduge, et mootori kaabel ei ole kinni jäänud, muljutud või muudmoodi vigastatud kokkupanekul või käepideme kokku voltimisel.

⚠ HOIATUS

Enne prahikoguja eemaldamist või paigaldamist veenduge, et terad on täielikult peatunud.



⚠ HOIATUS

Ärge katsuge liikuvaid ohtlikke osi, enne kui toode on vooluvõrgust lahti ühendatud ja liikuvad ohtlikud osad on täielikult peatunud.

AKU LISAOHUTUSJUHISED

⚠ HOIATUS

Lühisest põhjustatud tuleohtu, vigastuste või toote kahjustuste vältimiseks ärge kastke tööriista, vahetusakut ega laadimiseadet vedelikku ning jälgige, et vedelikke ei tungiks seadmetesse ega akusse. Korrodeeruvad või elektrit juhtivad vedelikud, nagu soolvesi, teatud kemikaalid ja pleegitusained või pleegitusaineid sisaldavad tooted, võivad põhjustada lühisid.

ÜLEKOORMUSE KAITSESEADE

Tootel on ülekoormuse kaitseeadis. Kui ilmneb ülekoormus, lülitub toode automaatselt välja. Kui ülekoormuse kaitse on käivitunud, peab laskma mootorit maha jahtuda 5 kuni 10 minutit.

Lülitage seade välja ja ühendage toitevõrgust lahti. Terad on teravad, neid puudutades kandke vastupidavaid kindaid. Veenduge, et terad saavad vabalt pöörelda ning ei ole kinni kiilunud ega kokkusurunud.

Kui mootor on maha jahtunud, ühendage pistik vooluvõrku ja lülitage toode sisse. Seadme käivitamiseks vajutage käivitusnupule Start ja seejärel sisse-välja lülitamise nupule On-off. Kui toode ei käivitu, viige toode parandamiseks vaid volitatud teenindusse.

NÄPUNÄITEID KOBESTAMISEKS

- Reguleerige löikamise sügavust vastavalt muru seisukorrale ja kõrgusele.
- Kui teil on probleeme samblaga, niitke muru ja tehke samblatorjet üks nädal enne kobestamist.
- Kastke muru mõned päevad enne kobestamist, et muru oleks niiske, kuid mitte üleliia märg.

TRANSPORTIMINE JA HOIUSTAMINE

- Puhastage seade kõikidest võõrkehadest. Hoidke kuivas ja hästi ventileeritud kohas, mis on lastele juurdepääsmatu. Hoidke kettsaagi eemal söövitavatest ainetest nagu aiakemikaalid ja jäätõrjevahendid. Ärge hoiustage õues.
- Vedamise ajal tõkestage kultivaator liikuma hakkamise ja alla kukkumise vastu, et vältida kehavigastusi ja masinaosade kahjustamist.

⚠ HOIATUS

Olge masina tõstmisel ja kallutamisel hooldamise, puhastamise, hoiustamise või transportimise ajal ülimalt ettevaatlik. Terad on teravad, hoidke kõik kehaosad lahtistest teradest eemal.

LIITUMAKUDE TEISALDAMINE

Äkude transportimisel juhendage kasutuskohas kehtivatest riiklikest määrustest ja eeskirjadest.

Äkude transportimisel allettevõtjate poolt järgige kõiki pakkimise ja tähistamise erinõudeid. Veenduge, et akud ei satu kokkupuutese teiste äkude ega voolu juhtivate materjalidega, kui avatud klemmid on transportimise ajal kaitstud voolu mittejuhtivate isoleerkorkide või teibiga. Ärge transportige pragunenud või lekkivaid akusid. Küsige lisateavet transportettevõttelt.

HOOLDUS

⚠ HOIATUS

Kasutage ainult tootja originaalvaruosi, tarvikuid ja tööorganeid. Selle nõude eiramine võib põhjustada, kehavigastuse, tootluse languse ja teile antud garantiid ühistamise.

⚠ HOIATUS

Hooldamine nõuab ülimalt korrrashoidu ja teadmisi ning tuleks teostada ainult kvalifitseeritud hooldustehnikute poolt. Toodet tohib parandada vaid volitatud teeninduses. Muruniiduki hooldamisel kasutage ainult tootja originaalvaruosi.

- Enne hooldustööde, ülevaatuste, reguleerimiste, hoiele panemise või tarvikute vahetamise alustamist lülitage toode välja, ühendage toiteallikast lahti ja veenduge, et kõik liikuvad detailid on täielikult seiskunud. Enne mistahes ülevaate, reguleerimise jne tööde alustamist laske masinal maha jahtuda. Hooldage toodet hoolikalt ja hoidke puhtana.
- Kontrollige sageli, kas prahikogujal on märke kahjustustest või kulumisest.
- Lubatud on teha ainult selles kasutusjuhendis kirjeldatud reguleerimis- ja parandustoiminguid. Muude remonditööde tellimiseks ja abi saamiseks pöörduge volitatud hoolduskeskusesse.
- Asendage kulunud või vigastatud osad, et tagada ohutus. Kasutage ainult originaalvaruosi ja tarvikuid.
- Pühkige trimmer pärast iga kasutuskorda pehme kuiva lapiga puhtaks. Vigastatud osad tuleb lasta pädeval hooldajal parandada või asendada.
- Kontrollige kõiki mutreid, polte ja kruvisid sagedaste intervallidega õige pinguloleku suhtes, et veenduda toote ohutus töökorras olemises.
- Olge ettevaatlik toote reguleerimisel, et sõrmed ei jääks liikuvate terade ja toote liikumatute osade vahele.
- Terasid hooldades olge ettevaatlik, sest kuigi toiteallikas on välja lülitatud, võivad terad ikka liikuda.
- Toote terad on teravad. Olge nende paigaldamise, asendamise ja kinnituspoldi kinnituse kontrollimise ajal väga ettevaatlik ning kandke tugevdatud kaitsekindaid.

BLOKEERINGUTE PUHASTAMISEKS

- Lülitage seade välja ja ühendage toitevõrgust lahti.
- Seadme kontrollimisel ja ummistumisel kandke tugevdatud kaitsekindaid.
- Terad on teravad ja takistuse põhjuseks võib olla terav ese.
- Eemaldage prahikoguja, kontrollilise takistuste esinemist ja eemaldage need ettevaatlikult.
- Kontrollilise muru väljalaskeava takistuste osas ja eemaldage need hoolikalt.
- Pöörake toode külili ning kontrollilise toote põhja ja terade ümbrust. Eemaldage takistused ettevaatlikult. Pidage meeles, et terad võivad puhastamise ajal liikuda.

JÄÄKRISKID

Isegi siis, kui kultivaatorit kasutatakse kirjeldatud viisil, ei ole võimalik kõrvaldada kõiki jääriskide mõjureid. Töötamise ajal võivad tekkida järgmised ohud, millele operaator peab pöörama erilist tähelepanu.

- Vibratsioonist põhjustatud kehavigastus
 - Alati kasutage tööks sobivat tööriista. Kasutage ettenähtud käepidemeid. Piirake tööaega ja kokkupuudet.
- Mürast põhjustatud vigastus
 - Tugev müra võib põhjustada kuulmiskahjustuse. Kandke kuulmiskaitsevahendeid ja piirake müraga kokkupuudet.
- teradega kokkupuutest põhjustatud vigastus
- Lenduvate esemete poolt põhjustatud vigastus

RISKI ALANDAMINE

Teadaolevalt võib käsitööriistade kasutamine põhjustada mõnedel inimestel seisundit, mida nimetatakse Raynaud' sündroomiks. Sümptomidena võib ilmneda sõrmede tuimus ja valkjaks muutumine, mis tavaliselt ilmneb külmas töötamisel. Nende sümptomite puhul tuleb hoiduda külmast ja niiskusest, dieedist ning suitsetamisest ja kasutada õigeid töövõtteid. Vibratsiooni mõju vähendamiseks tuleb rakendada järgmisi abinõusid.

- Külma ilmaga hoidke oma keha soe. Kandke kindaid, et hoida oma käed ja randmed soojad. Uuringud näitavad, et Raynaud's Syndrome ilmneb põhiliselt külma ilmaga.
- Pärast külmas töötamist tehke harjutusi, et verevarustust kiirendada.
- Tehke regulaarselt töövaheaegasid. Piirake tööperioodi pikkust.

Kui ilmnevad haigustunnused, lõpetage kohe töö ja pöörduge arsti poole.

⚠ HOIATUS

Seadme pikaajalisel kasutamisel võite saada kehavigastusi ja varasemad vigastused võivad süveneda. Seadme kasutamisel pika aja jooksul tuleb teha korralisi vaheaegasid.

ÕPPIGE OMA TOODET TUNDMA

Vt leht 134.

1. Lülitati
2. Käepidemed
3. Päästikud
4. Ülemise käepideme toru
5. Nupud
6. Kuuskantvõti
7. Kobestusterad
8. Lülitusvõti
9. Tagarattad
10. Esirattad
11. Aku
12. Laadija
13. Öhutustarvik
14. Kõrguse reguleerimishoob
15. Aku kaas
16. Tagumine luuk
17. Prahikoguja
18. Alumise käepideme koost
19. Juhtmestik

MASINAL OLEVAD SÜMBOLID



Ohutusala teave



Enne seadme kasutamist lugege palun kasutusjuhend hooliga läbi.



Kandke kuulmiskaitsevahendeid



Kandke silmakaitsevahendeid



Ärge jätke vihma kätte või kasutage niiskes kohas.



Hoiduge ülespaisatud ja lendavate esemete eest. Hoidke kõik kõrvalseisjad, eriti lapsed ja lemmikloomad tööalalt vähemalt 15 meetri kaugusele.



Ettevaatust teravate kobestusterade suhtes!
Kobestusterad jätkavad pöörlemist ka pärast mootori väljalülitamist. Eemaldage lahkülülitati võti enne hooldustöid.



Ärge töötage kallakul, mille kalle on üle 15°. Töötamisel suunduge piki kallakut, mitte aga üles või alla.



Töölaius: 35 cm



Mittekasutatavaid elektritooteid ei tohi visata olmejäätmete hulka. Vaid tuleb viia vastavasse kogumispunkti. Vajadusel küsige sellekohast nõu oma edasimüüjalt või vastavalt kohaliku omavalitsuse institutsioonilt.



Vastab kõigile eeskirjadele EL-i liikmesriigis, kus toode on ostetud.



Euraasia vastavusmärk



001

Ukraina vastavusmärgis



Etiketil näidatud tagatud helivõimsusetase on 95 dB.

KASUTUSJUHENDI SÜMBOLID



Eraldi ostetavad osad või tarvikud



Märkus



Hoiatus

Järgnevad märguandesõnad ja tähendused on mõeldud selle toote kasutamise seotud riskitasemete kirjeldamiseks.

⚠ OHT.

Viitab kohe tekkivale ohtlikule situatsioonile, mis, kui ei väldita, lõpeb surma või tõsise vigastusega.

⚠ HOIATUS

Viitab võimalikule ohtlikule situatsioonile, mis, kui ei väldita, võib lõppeda surma või tõsise vigastusega.

⚠ ETTEVAATUST

Viitab võimalikule ohtlikule situatsioonile, mis, kui ei väldita, võib lõppeda väiksemate või keskmiste vigastusega.

ETTEVAATUST

Ilma hoiatussümbolita

Osutab olukorrale, mis võib põhjustada varakahju.



Vodeću ulogu u dizajnu vašeg bežične grebalice ili prozračivača trave imaju sigurnost, performanse i pouzdanost.

NAMJENA

Bežična grebatica ili prozračivač trave namijenjeni su samo za korištenje na otvorenom prostoru. Sva četiri kotača trebala bi dodirivati zemlju prilikom grebanja ili prozračivanja.

Proizvod opremljen zupcima za grebanje konstruiran je za grebanje travnjaka u kućanstvu.

Proizvod je opremljen priključkom prozračivača travnjaka konstruiran je za pravljenje rupa u tlu kako bi se smanjilo zbijanje tla.

Proizvod je grebatica travnjaka pod nadzorom pješaka konstruiran za guranje rukom. Ne smijete se voziti na proizvod ili ga vući. Ne treba ga se koristiti za grebanje ničega osim travnjaka u kućanstvu.

Nemojte koristiti oštricu u nikakvu drugu svrhu.

OPĆA SIGURNOSNA UPOZORENJA ZA

⚠ UPOZORENJE

Prilikom korištenja proizvoda moraju se slijediti sigurnosna pravila. Radi vaše i sigurnosti ostalih promatrača, molimo vas da prije rada s proizvodom pročitate ove upute. Molimo vas da čuvate ove upute radi kasnijeg korištenja.

⚠ UPOZORENJE

Proizvod koristite isključivo s baterijama specifičiranim u ovom korisničkom priručniku. Prilikom korištenja AKU uređaja, uvijek se valja pridržavati osnovnih mjera opreza kako biste smanjili opasnost od požara, curenja baterija i osobnih ozljeda.

OSOBNJA SIGURNOST

- Proizvod može amputirati ruke i stopala i izbacivati predmete. Propust da se pridržavate svih uputa o sigurnosti može imati za posljedicu ozbiljne osobne povrede ili smrt.
- Upoznajte se s upravljačkim elementima i pravilnim korištenjem proizvoda.
- Nikada ne dopustite djeci ili osobama sa smanjenim fizičkim, osjetilnim ili mentalnim mogućnostima ili osobama koje nisu upoznate s ovim uputama da rade, čiste ili oražavaju ovaj proizvod. Moguće je da lokalni propisi propisuju starosnu dob rukovatelja. Djecu je potrebno odgovarajuće nadzirati kako bi se osiguralo da se ne igraju s proizvodom.
- Budite na oprezu, gledajte to što radite i pri radu s jedinicom koristite zdrav razum. Nemojte raditi s uređajem kada ste umorni, bolesni ili pod utjecajem alkohola, droge ili lijekova. Gubitak koncentracije tijekom rada uređaja može dovesti do ozbiljnih osobnih ozljeda.

- Nosite duge radne hlače, duge rukave i radne cipele s protukliznim potplatom. Nemojte nositi kratke hlače i sandale, ili hodati bosih nogu. Izbjegavajte nositi odjeću koja je labava ili s nje visi konop ili kravata.
- Uvijek nosite zaštitne naočale sa bočnim štitnicima.
- Ne sežite preko određene granice. Uvijek se čvrsto uprite, posebice na kosinama. Zauzmite čvrst stav i ravnotežu. Hodajte, nemojte trčati.
- Koristite proizvod uzduž kosine nikada gore i dolje. Posebnu pozornost obratite kada mijenjate smjer na kosini.
- Nemojte koristiti proizvod pored kosina, jaraka, previše stepenastih kosina ili nasipa. Loša obuća može izazvati klizanje ili pad.

RADNA OKOLINA

- Nikada ne radite s uređajem dok su u blizini ljudi, osobito djeca ili kućni ljubimci.
- Predmeti izbijeni zupcima za prozračivanje mogu ljudima nanijeti ozbiljne povrede. Temeljito provjerite područje gdje će se uređaj koristiti i uklonite svo kamenje, štapove, metal, žicu, kosti, igračke ili druge strane predmete. Imajet na umu, flaks ili žica mogu se zaglaviti u reznom mehanizmu.
- Koristite proizvod po danjem svjetlu ili pri dobroj umjetnoj rasvjeti.
- Nemojte rukovati uređajem u eksplozivnim atmosferama u kojima su prisutne zapaljive tekućine, plinovi ili prašina. Uređaj može stvoriti iskre koje mogu zapaliti prašinu ili pare.
- Nemojte raditi s uređajem u mokroj travi ili na kiši.
- Nemojte raditi s uređajem na popločanim ili šljunčanim površinama gdje odbačeni materijal može uzrokovati ozljedu.
- Upravlјati proizvodom samo na ravnoj površini s obje ruke za upravljačem.
- Izbjegavajte uporabu prozračivača trave po lošem vremenu, posebno kada postoji opasnost od munje.
- Imajte na umu da je rukovatelj ili korisnik odgovoran za nezgode ili opasnosti koje nastanu drugim osobama ili njihovoj imovini.
- Tragične nezgode se mogu dogoditi ukoliko rukovatelj nije svjestan prisutnosti djece. Nikada ne pretpostavite da će djeca ostati tamo gdje ste ih posljednji put vidjeli.
- Djeca se ne smiju zadržavati u radnom području kosilice te moraju stalno biti pod nadzorom odgovorne odrasle osobe koja ne rukuje uređajem, stoga uvijek budite na oprezu i isključite proizvod ako uočite dijete u radnom području kosilice.
- Posebno pazite na slijepe kutove, grmlje, drveće ili druge objekte, uključujući i grane i grmlje koje vise iznad glave i vam blokiraju vidno polje.

KORIŠTENJE I BRIGA O AKU ALATU

- Pročitajte, razumite i uvijek slijedite sigurnosne upute koje dolaze s baterijom i punjačem. Nepoštovanje ovog upozorenja može rezultirati električnim udarom, požarom ili drugim opasnim situacijama. Držite sve upute zajedno na sigurnom mjestu za buduće korištenje.





- AKU uređaje nije potrebno priključivati u električne utičnice, stoga su uvijek u radnom stanju. Uklonite sigurnosni ključ kad got ne radite s proizvodom.
 - Uklonite bateriju prije izvođenja svih podešavanja, čišćenja ili uklanjanja materijala iz uređaja.
 - Osigurajte da je prije umetanja baterije ključ za kontakt uklonjen.
 - Baterija se mora puniti samo s punjačem specificiranim od proizvođača. Korištenje punjača s nekompatibilnom baterijom može izazvati opasnost od požara. Koristite baterije samo s navedenim punjačem.
 - Koristite samo baterije posebno namijenjene za uređaj. Korištenje bilo kojih drugih baterija može dovesti do opasnosti od požara, strujnog udara ili ozljeda osoba.
 - Kada se baterija ne koristi držite je dalje od drugih metalnih predmeta kao što su spajalice za papir, kovanice, ključevi, čavli, vijci ili drugi mali metalni predmeti koji mogu spojiti jedan pol na drugi. Kratki spoj polova baterije može izazvati iskre, opekotine, požar ili eksploziju.
 - Ne postavljajte uređaje na baterije ili njihove baterije pored plamena ili topline. Ovo će povećati opasnost od eksplozije i moguće ozljede.
 - Nemojte otvarati ili oštećivati bateriju. Oslobođeni elektroliti su korozivni i mogu dovesti do oštećenja očiju ili kože. Ako se proguta može biti otrovno.
 - Zaštitite bateriju od vlage i vode. Ne punite uređaj u vlažnim ili mokrim mjestima. Poštovanjem ovog pravila smanjit će se opasnost od strujnog udara.
 - U slučaju oštećenja ili nepravilnog korištenja baterije, može doći do ispuštanja pare. Izdišite na svjež zrak i potražite liječničku pomoć u slučaju poteškoća. Pare mogu nadražiti respiratorni sustav.
 - Nemojte ostavljati bateriju u vozilu tijekom toplih ili hladnih vremenskih uvjeta.
 - Nemojte spaljivati bateriju.
 - Pod uvjetima loma može doći do izbacivanja tekućine iz baterije, izbjegavajte kontakt. Ako dođe do nehotičnog kontakta, isperite to mjesto s vodom. Ako tekućina dospjeje u oči, dodatno potražite liječničku pomoć. Tekućina koja istječe iz baterije može dovesti do iritacije ili opekotina.
- sva četiri kotača nisu na zemlji
 - žlijeb za ispušt krhotina je izložen i nije zaštićen sakupljačem krhotina i poklopcem žlijeba
 - Nikada ne radite s proizvodom ako sklopka za uklj./isklj. na ručki pravilno ne pokreće i zaustavlja proizvod.
 - Nikada ne blokirajte prekiadače za uključivanje / isključivanje u položaju za uključivanje; to je iznimno opasno.
 - Nemojte proizvod koristiti iznad njegovih mogućnosti. Uređaj će bolje i sigurnije raditi na brzini za koju je konstruiran.
 - Zaustavite zupce pri prelasku šljunčanih površina.
 - Budite osobito pažljivi kada vraćate ili povlačite proizvod prema sebi.
 - Zaustavite zupce ako se proizvod mora nagnuti prilikom prelaska preko ne travnatih površina i prijevoza proizvoda do radnog područja i sa njega.
 - Nikada ne koristite proizvod s neispravnom zaštitom ili štitnicima ili bez sigurnosnih uređaja, na primjer, deflektora i / ili sakupljača krhotina.
 - Ne naginjite proizvod prilikom uključivanja motora, osim ako se stroj mora nagnuti za pokretanje. Ako je neophodno, možete podići samo onaj dio koji je udaljen od korisnika. Uvijek osigurajte da su obje ručke u radnom položaju prije nego što stroj vratite na zemlju.
 - Proizvod pažljivo uključite prema uputama, pritom ruke i noge držite dalje od zubaca. Nemojte stavljati ruke ili stopala blizu ili ispod rotirajućih dijelova. Neka je otvor za pražnjenje uvijek slobodan.
 - Nikada ne podižite ili ne nosite proizvod dok motor radi.
 - Isključite proizvod i odspojite ga iz napajanja. Provjerite da su svi pokretni dijelovi zaustavljeni:
 - kada got ostavljate proizvod bez nadzora (uključujući odlaganja nekupina trave).
 - prije odstranjivanja objekata zaglavljanih u stroju ili odštopavanja žlijeba za ispušt trave
 - prije provjere, čišćenja ili rada na uređaju
 - nakon odbacivanja nepoznatog predmeta; provjerite uređaj na oštećenja i po potrebi izvršite popravke prije ponovnog pokretanja i rada uređaja.
 - Ako proizvod počne vibrirati snažnije od uobičajenog, odmah provjerite sljedeće:
 - provjerite ima li oštećenja
 - zamijenite ili popravite sve oštećene dijelove
 - provjerite ima li i pritegnite sve labave dijelove
 - Izbjegavajte rupe, kolotrage, ispušćenja, kamenje i druge prikrivene predmeta. Neravan teren može uzrokovati klizanje i pad.
 - Odmah pustite ručicu i držite se podalje od proizvoda ako:
 - proizvod zahvati vatru
 - su štitnik i / ili kućište je slomljeni
 - se javlja neuobičajen zvuk
 - dogodi li se bilo kakva nesreća ili kvar
 - Uvijek osigurajte da kabel za upravljanje motora nije zapetljan, priklješten ili na neki drugi način oštećen tijekom sklapanja ili preklapanja ručke.

SIGURNOSNA UPOZORENJA ZA RAD S GREBALICOM I PROZRAČIVAČEM TRAVE

- Zupci na proizvodu su oštri. Budite pažljivi i nosite zaštitne rukavice kada postavljate, zamijenjujete, čistite ili provjeravate sigurnost vijaka.
- Provjerite jesu li svi vijci, matice, svornjaci i ostali zatezači pravilno pričvršćeni i jesu li štitnici i mrežice na svojem mjestu. Zamijenite oštećene ili nečistljive naljepnice.
- Zamijenite istrošene ili oštećene dijelove prije rada s proizvodom.
- Postavite sakupljač krhotina prije prozračivanja trave. Ispraznite sakupljač krhotina kad je napunjen i ponovno ga postavite prije nego što nastavite s radom.
- Proizvod se mora pokrenuti tako da korisnik stoji iza ručke u sigurnoj zoni za operatera. Nikada ne pokrećite proizvod ako:

EN
FR
DE
ES
IT
NL
PT
DA
SV
FI
NO
RU
PL
CS
HU
RO
LV
LT
ET
HR
SL
SK
BG
UK
TR



⚠ UPOZORENJE

Provjerite jesu li zupci potpuno zaustavljeni prije uklanjanja ili postavljanja sakupljača krhotina.

⚠ UPOZORENJE

Nemojte dirati pokretne dijelove proizvoda prije nego što proizvod odvojite od napajanja i prije nego što se svi pokretni dijelovi potpuno ne zaustave.

DODATNA SIGURNOSNA UPOZORENJA ZA BATERIJU

⚠ UPOZORENJE

Zbog izbjegavanja opasnosti od požara jednim kratkim spojem, opasnosti od ozljeda ili oštećenja proizvoda, alat, izmjenjivi akumulator ili napravu za punjenje ne uronjavati u tekućine i pobrinite se za to, da u uređaje ili akumulator ne prodiru nikakve tekućine. Korozirajuće ili vodljive tekućine kao slana voda, određene kemikalije i sredstva za bijeljenje ili proizvodi koji sadrže sredstva bijeljenja, mogu prouzročiti kratak spoj.

UREĐAJ ZA ZAŠTITU OD PREOPTEREĆENJA

Proizvod ima ugrađeni uređaj za zaštitu od preopterećenja. Nakon otkrivenog preopterećenja proizvod će se automatski isključiti. Ako je uključen uređaj za zaštitu od preopterećenja, potrebno je pustiti motor da se ohladi na 5 do 10 minuta.

Isključite proizvod i odspojite ga iz napajanja. Zupci su oštri, prije rukovanja navucite debele zaštitne rukavice. Provjerite mogu li se zupci slobodno okretati, te da nisu zaglavljivi ili uklješteni.

Kada se motor ohladi, utikač spojite na izvor električnog napajanja i uključite proizvod. Pritisnite gumb za pokretanje i potom gumb uklj./isklj. za pokretanje proizvoda. Ako se proizvod neće pokrenuti, neka se proizvod servisira samo u ovlaštenom servisnom centru.

OPĆI SAVJETI ZA PROZRAČIVANJE TRAVE

- Prilagodite dubinu rezanja u skladu s potrebama vašeg travnjaka i dužini trave.
- Ako imate problem s mahovinom, pokosite svoj travnjak i primijenite sredstvo protiv mahovine tjedan dana prije nego što ga namjeravate prozračivati.
- Zalijevajte travnjak nekoliko dana prije nego što ga prozračite kako biste bili sigurni da je vaš travnjak vlažan, ali ne pretjerano vlažan.

PRJEVOZ I SKLADIŠTENJE

- Očistite svaki strani materijal s uređaja. Skladištite ga na suhom i dobro ventiliranom mjestu koje nije pristupačno djeci. Nemojte ju ostavljati u blizini korozivnih agenasa kao ni vrtnih kemijskih proizvoda i soli za odmrzavanje. Ne ostavljajte na otvorenom.

- Za prijevoz, osigurajte uređaj protiv pomicanja ili pada kako biste spriječili povrede osoba ili oštećenja na uređaju.

⚠ UPOZORENJE

Budite izuzetno oprezni kada podižete ili naginjete uređaj radi održavanja, čišćenja, spremanja ili prijevoza. Zupci su oštri, držite sve dijelove tijela daleko od zubaca dok su izloženi.

TRANSPORTIRANJE LITIJUMSKIH BATERIJA

Transportirajte bateriju u skladu s lokalnim i nacionalnim pravima i zakonima.

Slijedite sve specijalne zahtjeve na pakiranju i naljepnicama prilikom transporta baterije od treće strane. Osigurajte da baterija ne može doći u kontakt s drugim baterijama ili provodnim materijalima tijekom transporta tako da zaštitite izložene priključke s izolacijom, kapticama koje ne provode energiju ili trakom. Nemojte transportirati baterije koje su polomljene ili cure. Provjerite kod kompanije koji transportirate za daljnju pomoć.

ODRŽAVANJE

⚠ UPOZORENJE

Koristite samo originalne zamjenske dijelove, dodatni pribor i priključke od proizvođača. Nepoštivanje ovih uputa može dovesti do mogućih ozljeda, loše učinkovitosti i može dovesti do poništenja jamstva.

⚠ UPOZORENJE

Servisiranje iziskuje krajnju pažnju i znanje i treba da ga vrši samo kvalificirani serviser. Neka se proizvod servisira samo u ovlaštenom servisnom centru. Prilikom servisiranja, koristite samo originalne zamjenske dijelove od proizvođača.

- Kad se proizvod zaustavi zbog servisiranja, pregleda ili skladištenja ili mijenjanja dodatne opreme, isključite izvor napajanja, odspojite proizvod iz napajanja i provjerite jesu li svi pokretni dijelovi potpuno zaustavljeni. Omogućite uređaju da se ohladi prije bilo kakve provjere, podešavanja itd. Pažljivo održavajte proizvod i držite ga čistim.
- Često provjeravajte ima li u sakupljaču krhotina habanja, rupa ili oštećenja.
- Možete izvršiti podešavanja i popravke koji su opisani u ovom priručniku. Za ostale popravke ili savjete, potražite pomoć ovlaštenog servisnog centra.
- Iz sigurnosnih razloga zamijenite istrošene ili oštećene dijelove. Koristite samo originalne zamjenske dijelove i dodatni pribor.
- Nakon svakog korištenja proizvod obrišite sa suhom mekom krpom. Svaki oštećeni dio trebao bi pravilno popraviti ili zamijeniti ovlašteni servisni centar.
- Često provjeravajte sve matice i zavrtnje da li su dobro pritegnuti kako biste bili sigurni da je proizvod u sigurnom radnom stanju.



- Budite oprezni tijekom podešavanja proizvoda kako biste spriječili upadanje prstiju između pokretnih zubaca i fiksni dijelova proizvoda.
- Prilikom servisiranja sklopa zubaca imajte na umu da se čak i ako je izvor napajanja isključen, sklop zubaca se još uvijek može pomaknuti.
- Zupci na proizvodu su oštri. Budite pažljivi i nosite zaštitne rukavice kada postavljate, zamijenjujete, čistite ili provjeravate sigurnost vijaka.

ČIŠĆENJA BLOKADA

- Isključite proizvod i odspojite ga iz napajanja.
- Uvijek nosite zaštitne rukavice velike debljine kada provjeravate ili čistite blokirano.
- Zupci su oštri, a samu blokadu može izazvati oštar predmet.
- Uklonite sakupljač krotina, pregledajte i pažljivo uklonite zaglavljene objekte.
- Pregledajte žlijeb za izbacivanje trave i pažljivo uklonite zaglavljene objekte.
- Okrenite proizvod na bočnu stranu i pregledajte donju stranu proizvoda i područje oko zubaca. Pažljivo uklonite sve zaglavljene objekte. Imajte na umu da se zupci mogu pomicati tijekom čišćenja.

OSTALE OPASNOSTI

Čak i kad je proizvod korišten kao što je prethodno opisano, još uvijek nije moguće potpuno isključiti ostale čimbenike opasnosti. Može doći do sljedećih opasnosti tijekom korištenja i operater mora obratiti posebnu pozornost kako bi izbjegao sljedeće:

- Ozljeđe uzrokovane vibracijom
 - Koristite točan alat za posao. Koristite označene ručke. Ograničite radno vrijeme i izloženost.
- Ozljeđe uzrokovane bukom
 - Izlaganje buci može izazvati povredu sluha. Nosite zaštitu za sluh i ograničite izloženost.
- ozljeđa zbog kontakta sa zupcima
- Ozljeđe uzrokovane izbačenim i letećim predmetima

SMANJENJE OPASNOSTI

Prijavljeno je da vibracije alata koje se drži u ruci kod određenih pojedinaca mogu doprinijeti stanju pod nazivom Raynaud's Syndrome. Simptomi mogu uključivati trnce, ukočenost i bjelinu prstiju, obično uočljivo po izlaganju hladnoći. Smatra se da nasljedne osobine, izlaganje hladnoći i vlazi, dijeta, pušenje i radni postupci pridonose razvoju ovih simptoma. Postoje mjere koje operater može poduzeti kako bi smanjio moguće učinke vibracije:

- Održavajte svoje tijelo toplim u hladnim vremenskim uvjetima. Kad radite s proizvodom nosite rukavice kako biste ruke i zglobove održavali toplima. Prijavljeno je da je hladnoća glavni čimbenik koji doprinosi Raynaud's Syndrome.
- Nakon svakog perioda rada vježbajte kako biste povećali cirkulaciju krvi.
- Uzimajte česte stanke u radu. Ograničite količinu izlaganja po danu.

Ako osjetite neke od simptoma ovog stanja, odmah prekinite korištenje i obratite se svome liječniku vezano uz ove simptome.

⚠ UPOZORENJE

Povrede mogu biti uzrokovane ili zadobivene produljenim korištenjem alata. Kada koristite bilo koji alat dulje vremena, osigurajte da uzimate povremene stanke.

UPOZNAJTE SVOJ PROIZVOD

Pogledajte stranicu 134.

1. Gumb za prebacivanje
2. Rukohvati
3. Okidači
4. Šipka gornje ručke
5. Gumbi
6. Imbus ključ
7. Zupci
8. Tipka za uključivanje i isključivanje
9. Stražnji kotači
10. Prednji kotači
11. Baterija
12. Punjač
13. Priključak prozračivača
14. Ručica za podešavanje visine
15. Poklopac baterije
16. Stražnja vrata
17. Sakupljač otpadaka
18. Sklop donje ručke
19. Ožičenje

SIMBOLI NA PROIZVODU



Sigurnosno upozorenje



Molimo da pažljivo pročitate upute prije pokretanja stroja.



Nosite zaštitu za sluh



Nosite sredstva za zaštitu očiju



Ne izlažite kiši ili vlažnim uvjetima.



Čuvajte se odbačenih ili letećih predmeta. Držite sve promatrače naročito djecu i kućne ljubimce, na udaljenosti najmanje 15 m od radnog područja.



Pazite se oštrih zubaca. Zupci nastavljaju s okretanjem i nakon isključivanja motora. Prije održavanja, izvadite ključ za izoliranje.





Nemojte raditi na strminama većim od 15°. Koristite proizvod uzduž kosine nikada gore i dolje.



Radna širina: 35 cm



Otpadni električni proizvodi ne treba da se odlažu s otpadom iz domaćinstva. Molimo da reciklirate gdje je to moguće. Potražite savjet od lokalnih vlasti ili prodavca kako reciklirati.



Ovaj alat usklađen je sa svim normama i propisima zemlje Europske unije u kojoj je kupljen.



EurAsian znak konformnosti



Ukrajinska oznaka za sukladnost



Deklarirani zvučni tlak prikazan na ovoj naljepnici iznosi 95 dB.

SIMBOLI U OVOM PRIRUČNIKU



Dijelovi ili pribor prodan odvojeno



Napomena



Upozorenje

Slijedeće riječi upozorenja i značenja imaju namjeru da objasne nivo rizika u vezi s ovim proizvodom.

OPASNOST

Ukazuje na neposrednu opasnu situaciju, koja, ukoliko se ne izbjegne, može rezultirati smrću ili opasnim povredama

UPOZORENJE

Ukazuje na moguću opasnu situaciju, koja, ukoliko se ne izbjegne, može rezultirati smrću ili opasnim povredama

UPOZORENJE

Ukazuje na moguću opasnu situaciju, koja, ukoliko se ne izbjegne, može rezultirati manjim ili blažim povredama

UPOZORENJE

Bez sigurnosnog simbola upozorenja
Naznačuje situaciju koja može rezultirati oštećenjem imovine.



Brezžična brana ali aerator je zasnovan in izdelan za zagotavljanje najvišje ravni varnosti, učinkovitosti in zanesljivosti delovanja.

NAMEN UPORABE

Brezžična brana ali aerator je predviden samo za zunanjo uporabo. Med brazdanjem ali aeriranjem se morajo vsa štiri kolesa dotikati tal.

Izdelek, opremljen z nastavki za brazdanje, je zasnovan za brazdanje domačih trat.

Izdelek, opremljen z dodatnim aeratorjem, je zasnovan za ustvarjanje lukenj v zemlji, da se zmanjša steptanost tal.

Izdelek je brana za trate, ki se uporablja z ročnim potiskanjem. Izdelka se ne sme vleči ali se na njem voziti. Uporablja se lahko le za brananje domačih trat.

Za druge namene ga ne uporabljajte.

SPLOŠNA VARNOSTNA OPOZORILA ZA ELEKTRIČNA ORODJA

OPOZORILO

Med uporabo stroja upoštevajte varnostna navodila. Za svojo varnost in varnost drugih oseb preberite ta navodila pred uporabo izdelka. Prosimo, shranite ta navodila za kasnejšo rabo.

OPOZORILO

Izdelek uporabljajte izključno z akumulatorji, navedenimi v tem priročniku. Pri uporabi naprave z baterijo vedno upoštevajte osnovne varnostne ukrepe, da zmanjšate tveganje za požar, puščanje baterij in telesne poškodbe.

OSEBNA VARNOST

- Izdelek lahko odseka roke in noge ter povzroči letenje predmetov. Neupoštevanje vseh varnostnih navodil se lahko konča z resnimi poškodbami ali smrtjo.
- Seznanite se s krmilnimi elementi in pravilno uporabo izdelka.
- Otrokom in osebam z zmanjšanimi fizičnimi, senzoričnimi ali duševnimi zmognostmi ter osebam, ki niso seznanjene s temi navodili, nikoli ne dovolite uporabljati, čistiti ali vzdrževati izdelka. Lokalni predpisi se morda nanašajo tudi na minimalno starost upravitelja. Otroke nenehno primerno nadzorujte, da se ne bodo igrali z napravo.
- Med uporabo enote bodite pozorni, spremljajte potek dela in uporabljajte zdrav razum. Naprave ne uporabljajte, ko ste utrujeni, bolni ali pod vplivom alkohola, drog ali zdravil. Padec koncentracije pri uporabi naprave lahko privede do hudih telesnih poškodb.
- Nosite debele, dolge hlače, dolge rokave in vzdržljivo obutev, ki ne drsi. Ne nosite kratkih hlač in sandalov in ne rokujte z napravo bosi. Ne nosite oblačil, ki so ohlapna ali z njih visijo trakovi.
- Vedno nosite zaščitna očala s stransko zaščito.

- Nesiahajte priliš daleko. Vedno stojte trdno, predvsem pri obratovanju na klancih. Pazite na ravnotežje in ne pretiravajte. Vedno hodite, nikoli ne tecite.
- Na pobočjih se premikajte prečno, nikoli gor in dol. Pri menjavanju smeri na pobočjih bodite še posebej previdni.
- Izdelka ne uporabljajte v bližini nagibov, jarkov, izredno strmih pobočij ali nabrežij. Slaba obutev lahko povzroči zdrs in nesrečo.

DELOVNO OBMOČJE

- Če so v bližini ljudje, še posebej otroci ali domače živali, naprave ne uporabljajte.
- Predmeti, ob katere zadenejo zobce brane, lahko povzročijo hude telesne poškodbe. Temeljito pregledjte delovno površino in odstranite vse kamne, palice, kovino, žice, kosti, igračke ali druge predmete. V rezalne dele se lahko zaplete vrv ali žica.
- Izdelek uporabljajte samo pri dnevni svetlobi ali dobri osvetlitvi.
- Naprave ne uporabljajte v eksplozivnih okoljih, npr. v bližini vnetljivih tekočin, plinov ali prahu. Orodje lahko proizvaja iskre, zaradi katerih se lahko prah ali hlapi vnamejo.
- Naprave ne uporabljajte na mokri travi ali na dežju.
- Naprave ne uporabljajte na tlakovani ali peščeni podlagi, kjer bi lahko naokoli leteč material povzročil poškodbe.
- Izdelek uporabljajte izključno na ravni površini z uporabo obeh rok, pri čemer operater stoji za ročajem.
- Brane ne uporabljajte v slabem vremenu, predvsem če obstaja nevarnost grmenja.
- Pomnite, da je upravitelj oz. uporabnik odgovoren za nesreče ali nevarnosti, ki se pripetijo ostalim ljudem ali njihovi lastnini.
- Če upravitelj ni pozoren na prisotnost otrok, se lahko pripetijo tragične nesreče. Nikoli ne domnevajte, da bo otrok ostal tam, kjer ste ga zadnjič videli.
- Otroci naj bodo izven delovnega območja in pod skrbnim nadzorom odgovorne odrasle osebe, ki ne uporablja izdelka; bodite pozorni nanje in izdelek izklopite, če otroci vstopijo v območje.
- Med približevanjem nepreglednim ovinkom, živim mejam, drevesom ali drugim predmetom, vključno z visečimi živimi mejami, ki lahko ovirajo pogled, bodite posebej previdni.

UPORABA IN VZDRŽEVANJE BATERIJSKEGA ORODJA

- Varnostna navodila, priložena bateriji in polnilniku, morate prebrati, jih razumeti in vedno upoštevati. Če tega ne storite, lahko pride do električnega udara, požara ali drugih nevarnih situacij. Vsa navodila hranite skupaj na varnem mestu za bodočo referenco.
- Enot z baterijo ni treba priključiti v električno vtičnico; zato so vedno v stanju delovanja. Odstranite izolacijski ključ vsakič, ko ne upravljate z izdelkom.
- Pred nastavljanjem, čiščenjem ali odstranjevanjem materiala iz enote iz nje odstranite baterijo.





- Prepričajte se, da je pred vstavitvijo baterije izolacijski ključ odstranjen.
- Baterijo lahko napolnite samo s polnilnikom, ki ga določa proizvajalec. Če polnilnik uporabite z nezdružljivo baterijo, lahko pride do požara. Baterijo uporabljajte samo z navedenimi polnilniki.
- Uporabljajte samo baterijo, ki je posebej izdelana za to napravo. Uporaba drugih baterij lahko povzroči požar, električni udar ali telesne poškodbe.
- Ko baterije ne uporabljajte, pazite, da bo odmaknjena od kovinskih predmetov, kot so papirne sponke, kovanci, ključi, žebliji, vijaki ali drugih majhni kovinski predmeti, ki bi lahko povzročili povezavo med obema terminaloma. Združitve dveh različno naelektrjenih baterijskih priključkov lahko povzroči iskrice, opekline, ogenj ali eksplozijo.
- Baterijskih izdelkov ali baterij ne postavljajte v bližino ognja ali vročine. To poveča tveganje za eksplozijo in možnost poškodbe.
- Baterije ne odpirajte in je ne poškodujte. Sproščeni elektroliti so korozivni in lahko poškodujejo oči ali kožo. Lahko so strupeni, če jih zaužijete.
- Baterijo zaščitite pred vlago in vodo. Enote ne polnite v vlažnih ali mokrih pogojih. Z upoštevanjem tega pravila zmanjšate tveganje električnega šoka.
- V primeru poškodbe in napačne rabe baterije lahko pride do hlapenja. Poskrbite, da bo zrak čist, v primeru težav pa poiščite zdravniško pomoč. Hlapi lahko dražijo dihalni sistem.
- Baterijskega paketa ne pustite v vozilu v vročini ali mrazu.
- Baterije ne sežigajte.
- Ob zlorabi baterije lahko iz nje steče tekočina. Če se po nesreči dotaknete tekočine, mesto dotika sperite z vodo. Če pride tekočina v stik z očmi, poiščite zdravstveno pomoč. Tekočina, ki izteče iz baterije, lahko povzroči vnetje ali opekline.

VARNOSTNA OPOZORILA ZA BRANO IN AERATOR

- Zobci brane so ostri. Bodite previdni in nosite močne zaščitne rokavice, kadar nameščate, menjate, čistite ali preverjate pritrditve elementov na izdelku.
- Preverite, ali so vsi vijaki, matice, zapahi in drugi pritrdilni elementi ustrezno pritrjeni in ali so nameščeni ščitniki ter pregrade. Zamenjajte poškodovane ali neberljive oznake.
- Zamenjajte obrabljene ali poškodovane dele, preden izdelek znova uporabite.
- Pred brazdanjem namestite zbiralno posodo za drobir. Ko se zbiralna posoda za drobir napolni, jo izpraznite in pred nadaljevanjem dela znova namestite.
- Upravljevec mora izdelek zagnati v položaju za ročaji, ki je zanj najbolj varen. Izdelka ne zaganjajte, če:
 - niso vsa štiri kolesa na tleh;
 - odprtina za odvajanje drobirja je odprta in ni zaščitena z zbiralno posodo za drobir in pokrovom odprtine za odvajanje drobirja.
- Z izdelkom ne upravljajte, če ga s stikalom za vklop/izklop na ročaju ne morete ustrezno zagnati in ustavite izdelek.
- Stikala za vklop/izklop nikoli ne zaklenite v položaju za vklop; to je izredno nevarno.
- Izdelka ne preobremenjujte. Nalogo bo opravila bolje in varneje pri hitrosti, za katero je bila zasnovana.
- Ob prehodu prek prodnatih površin zobce ustavite.
- Bodite še posebej pazljivi pri premikanju vzvratno ali ko vlečete izdelek proti sebi.
- Zobce ustavite, ko je treba izdelek nagniti z namenom transporta, ob prehodu površin, ki niso travnate, in med transportom izdelka v delovno območje in iz njega.
- Izdelka nikoli ne uporabljajte s pokvarjenimi ščitniki in zaščitami ali brez nameščenih varnostnih naprav, na primer deflektorjev in/ali zbiralnih posod za drobir.
- Ne nagibajte izdelka med zagonom motorja, razen če je treba stroj nagniti za zagon. V nujnih primerih lahko privzdignete le del, ki je stran od operaterja. Pred vrnitvijo stroja na tla vedno poskrbite, da sta obe roki v položaju za upravljanje.
- Izdelek previdno vklopite po navodilih in se z rokami ter nogami ne približujte zobcem. Roke in stopala držite stran od vrtečih se delov. Ne približujte se odprtini za praznjenje.
- Nikoli ne dvigujte ali prenašajte izdelka med delovanjem motorja.
- Izdelek izklopite in izključite z napajanja. Prepričajte se, da so se vsi premikajoči se deli popolnoma zaustavili:
 - kadar pustite izdelek nenadzorovan (tudi kadar odstranjujete pokošeno travo).
 - pred čiščenjem blokade ali odmašitvijo izstresišča
 - pred preverjanjem in čiščenjem izdelka ali delom na njem,
 - če zadenete ob tujek; preverite, ali se je naprava poškodovala, in popravite potrebno, preden napravo ponovno zaženete in uporabite,
- Če se izdelek neobičajno tresse, takoj preverite naslednje:
 - preglejte za primer poškodb
 - zamenjajte ali popravite vse poškodovane dele
 - preverite, ali so kateri koli deli zrahljani in jih privijte
- Izogibajte se luknjam, brazdam, izboklinam, kamnom ali ostalim skritim predmetom. Zaradi neravnega terena vam lahko spodrsne in lahko se poškodujete.
- Ročaj takoj izpusťite in se ne približujte izdelku, če:
 - izdelek zagori
 - je ščitnik in/ali ohišje poškodovan
 - zaslišite nenormalen zvok
 - pride do nesreče ali okvare
- Med montažo ali zlaganju ročice se vedno prepričajte, da kontrolni kabel motorja ni zavozlan, priščipnjen ali drugače poškodovan.

OPOZORILO

Pred odstranjevanjem ali nameščanjem zbiralne posode za drobir se prepričajte, da so se zobci povsem ustavili.



⚠ OPOZORILO

Ne dotikajte se premikajočih se nevarnih delov, preden izdelek izklopite iz napajanja in se premikajoči se nevarni deli povsem ustavijo.

DODATNA VARNOSTNA OPOZORILA ZA BATERIJO

⚠ OPOZORILO

V izogib, s kratkim stikom povzročene nevarnosti požara, poškodb ali okvar na proizvodu, orodja, izmenljivega akumulatorja ali polnilne naprave ne potaplajte v tekočine in poskrbite, da ne bo prihajalo do vdora tekočin v naprave in akumulatorje. Korozivne ali prevodne tekočine, kot so slana voda, določene kemikalije in belila ali proizvodi, ki le ta vsebujejo, lahko povzročijo kratek stik.

PREOBREMENITVENA ZAŠČITA

Izdelek ima napravo za prenapetostno zaščito. Ob zaznavanju preobremenitve se izdelek samodejno izklopi. Če se sproži preobremenitvena zaščita, je treba počakati 5 do 10 minut, da se motor ohladi.

Izdelek izklopite in izključite z napajanja. Zobci so ostri; preden se jih dotaknete, si nadenite močne rokavice. Poskrbite, da se zobci lahko neovirano vrtijo in niso zagozdeni ali napeti.

Ko se motor ohladi, vklopite vtič v električno napajanje in vklopite izdelek. Pritisnite gumb start in nato gumb za vklop/izklop za zagon izdelka. Če se izdelek kljub temu ne zažene, ga odnesite na popravilo izključno na pooblaščen servis.

SPLOŠNI NASVETI ZA BRAZDANJE

- Globino rezil nastavite glede na potrebe trate in višino trave.
- Če imate na trati težave z mahom, teden dni pred brazdanjem pokosite travo in nanesite sredstvo za odstranjevanje mahu.
- Nekaj dni pred brazdanjem trato zalijte, da poskrbite, da je trava vlažna, vendar ne pretirano mokra.

TRANSPORT IN SHRANJEVANJE

- Očistite vse tujke z izdelka. Shranite jo na suhem in dobro prezračenem mestu, ki ni na dosegu otrok. Hranite proč od jedkih sredstev, kot so kemikalije za vrtnarjenje in soli za odmrzovanje. Ne shranjujte na prostem.
- Za transport zavarujte izdelek pred premiki ali padci, da preprečite poškodbe oseb ali izdelka.

⚠ OPOZORILO

Pri dviganju ali nagibanju naprave za namene vzdrževanja, čiščenja, shranjevanja ali transportiranja bodite izredno previdni. Zobci so ostri; ko so nezaščiteni, se jim ne približujte z deli telesa.

PRENAŠANJE LITIJEVIH BATERIJ

Baterije prevažajte v skladu z lokalnimi in državnimi uredbami in predpisi.

Upoštevajte vse posebne zahteve glede pakiranja in označevanja, kadar prevoz opravlja tretja oseba. Zagotovite, da baterije med prevozom ne morejo priti v stik z drugimi baterijami ali prevodnimi materiali tako, da zaščitite izpostavljene konektorje z izolacijo, neprevodnimi pokrovciki ali trakom. Ne prevažajte poškodovanih baterij oz. baterij, ki puščajo. Za nadaljnje informacije se obrnite na posredovalno podjetje.

VZDRŽEVANJE

⚠ OPOZORILO

Uporabljajte le originalne rezervne dele in dodatke, ki jih priporoča proizvajalec. V nasprotnem primeru naprava lahko slabo deluje, povzroči poškodbe, garancija pa ne velja več.

⚠ OPOZORILO

Servisiranje zahteva posebno pozornost in znanje in naj jo zato opravlja samo izurjeni servisni tehnik. Izdelek naj servisirajo izključno v pooblaščenem servisnem centru. Pri servisiranju uporabljajte samo originalne nadomestne dele.

- Ko izdelek ustavite z namenom servisiranja, pregleda, shranjevanja ali zamenjave dodatka, izklopite vir napajanja, iztaknite izdelek iz napajalne vtičnice in se prepričajte, da so se vsi premikajoči se deli povsem ustavili. Preden na napravi izvajate preglede, popravila ipd., naj se ta najprej ohladi. Izdelek skrbno vzdržujte in poskrbite, da je vedno čist.
- Redno preverjajte, ali je zbiralna posoda za drobir obrabljena, preluknjana oziroma se je poslabšalo njeno stanje.
- Opravljati smete le nastavitve in popravila, ki so opisana v teh navodilih za uporabo. Za druga popravila ali nasvete se posvetujte s pooblaščenim storitvenim centrom.
- Obrabljene ali poškodovane dele zaradi varnosti redno menjajte. Uporabljajte le originalne rezervne in nadomestne dele.
- Po vsaki uporabi izdelek očistite z mehko in suho krpo. Vsak poškodovani del mora ustrezno popraviti ali zamenjati pooblaščen servisni center.
- Pogosto preverjajte, ali so vse matice in vijaki dobro priti in tako zagotovite varno delovno stanje izdelka.
- Med nastavljanjem izdelka bodite previdni, da preprečite ujetje prstov med premikajoče se zobce in nepremične dele izdelka.
- Med servisiranjem sestava zobcev se zavedajte, da se sestav zobcev kljub temu, da je vir napajanja izklopljen, lahko še vedno premikajo.
- Zobci brane so ostri. Bodite previdni in nosite močne zaščitne rokavice, kadar nameščate, menjate, čistite ali preverjate pritrditve elementov na izdelku.

UVOLŃUJÚCA BLOKOVANIE

- Izdelek izklopite in izključite z napajanja.
- Ko pregledujete in odpravljate zamašitev, vedno uporabljajte odporne zaščitne rokavice.
- Zobci so ostri in tudi blokado lahko povzroči oster predmet.
- Odstranite zbiralno posodo drobirja, preverite, ali je prisotna blokada in jo previdno odstranite.
- Preverite, ali so v iztresišču prisotne blokade in jih previdno odstranite.
- Izdelek obrnite na bok, preverite njegovo podvozje in področje okoli zobcev. Morebitne blokade previdno odstranite. Ne pozabite, da se lahko zobci med čiščenjem premaknejo.

REZIDUALNA TVEGANJA

Tudi če izdelek uporabljate tako, kot je predpisano, še vedno ne moremo izključiti določenih preostalih dejavnikov tveganja. Med uporabo se lahko pojavijo naslednje nevarnosti, upravljavec pa naj bo pozoren na naslednje:

- Poškodbe zaradi vibracij
 - Pri delu vedno uporabljajte ustrezno orodje. Uporabite namenske ročaje. Omejite trajanje dela in izpostavljenost.
- Poškodbe, ki jih povzroči hrup
 - Izpostavljenost hrupu lahko povzroči poškodbo sluha. Nosite zaščito za sluh in omejite izpostavljenost.
- poškodba zaradi stika z zobci
- Poškodba, ki jo povzročijo leteči predmeti

ZMANJŠANJE TVEGANJA

Ugotovljeno je bilo, da lahko pri nekaterih posameznikih vibracije ročnih orodij povzročijo Raynaudov sindrom. Simptomi so lahko mravljinca, otrplost in pobledele prsti, kar je običajno vidno, kadar je oseba izpostavljena mrazu. Dedni dejavniki, izpostavljenost mrazu in vlagi, dieta, kajenje in delovne navade naj bi pripomogle k razvoju teh simptomov. Za zmanjšanje učinkov vibracij lahko upravljavec upošteva naslednja navodila:

- Poskrbite, da bo vaše telo na mrazu toplo. Med upravljanjem nosite rokavice in tako ohranjate toploto vaših dlani in zapestij. Kot poročajo, je mraz glavni dejavnik, ki prispeva k Raynaudovemu sindromu.
- Po vsakem obdobju upravljanja naprave telovadite in tako pospešite krvni obtok.
- Pogosto si vzemite odmor. Omejite dnevno količino izpostavljenosti.

Če zaznavate kakršne koli simptome takšnega stanja, takoj prenehajte z uporabo naprave in se o simptomih posvetujte z zdravnikom.

OPOZORILO

Daljša uporaba orodja lahko privede do poškodb ali pa so poškodbe lahko hujše. Kadar orodje uporabljate dalj časa, si večkrat vzemite odmor.

SPOZNAJTE SVOJ IZDELEK

Glejte stran 134

1. Preklopni gumb
2. Ročaji
3. Sprožilci
4. Drog zgornjega ročaja
5. Gumbi
6. Ključ inbus
7. Nastavki za brazdanje
8. Stikalni ključ
9. Zadnja kolesa
10. Sprednja kolesa
11. Akumulator
12. Polnilec
13. Dodatek za aeriranje
14. Ročica za prilagoditev višine
15. Pokrov akumulatorja
16. Zadnja vrata
17. Zbiralnik drobirja
18. Sestav spodnjega ročaja
19. Žična napeljava

SIMBOLI NA IZDELKU



Varnostni alarm



Prosimo, da si pred zagonom naprave pazorno preberete navodila.



Nosite zaščito za ušesa



Nosite zaščito za oči



Ne izpostavljajte ga dežju ali vlagi.



Pazite na izvržene ali leteče predmete. Prisotni (še posebej otroci in živali) naj bodo med obratovanjem oddaljeni vsaj 15 m od delovnega območja.



Bodite pozorni na ostre nastavke za brazdanje
Nastavki za brazdanje se po zaustavitvi motorja še naprej vrtijo.
Pred vzdrževanjem odstranite izolacijski ključ.



Ne uporabljajte je na pobočjih z naklonom, večjim od 15°. Na pobočjih se premikajte prečno, nikoli gor in dol.



Delovna širina: 35 cm



Odpadne električne izdelke odlagajte skupaj z ostalimi gospodinjskimi odpadki. Reciklažo opravljajte na predpisanih mestih. Za reciklažni nasvet se obrnite na lokalne oblasti.



Ustreza vsem predpisanim standardom v državi članici EU, kjer je bil kupljen izdelek.



EurAsian oznaka o skladnosti



Ukrajinska oznaka za skladnost

001



Zajamčena raven zvočne moči na tej oznaki je 95 dB.

SIMBOLI V TEM PRIROČNIKU



Deli ali dodatki so na prodaj ločeno



Opomba



Opozorilo

Sledeče signalne besede in pomeni naj bi pojasnili ravni tveganja, ki so povezane s tem izdelkom.

NEVARNOST

Označuje neizbežno tvegano stanje, ki če se ji ne izognete lahko povzroči smrt ali resno poškodbo.

OPOZORILO

Označuje morebitno tvegano stanje, ki če se ji ne izognete lahko povzroči smrt ali resno poškodbo.

POZOR

Označuje morebitno tvegano stanje, ki če se mu ne izognete lahko povzroči manjšo ali srednje resno poškodbo.

POZOR

Brez simbola za varnostno opozorilo
Prikazuje situacijo, ki lahko povzroči materialno škodo.



Bezpečnosť, efektívnosť a spoľahlivosť boli prvoradáce pri navrhovaní vášho akumulátorového prevzdušňovača alebo aerátora.

ÚČEL POUŽITIA

Akumulátorový prevzdušňovač alebo aerátor je určený len na použitie vonku. Počas prevzdušňovania alebo aerácie sa musia všetky štyri kolesá dotýkať zeme.

Tento výrobok je vybavený prevzdušňovacími trhámi a bol navrhnutý na prevzdušňovanie domových trávnikov.

Výrobok vybavený aerátorom je navrhnutý na vytváranie otvorov v pôde, aby sa znížilo zhutnenie pôdy.

Tento výrobok je chodcom ovládaný prevzdušňovač trávnikov navrhnutý na ručné tlačenie. Tento výrobok sa nesmie ťahať ani sa nesmie na ňom jazdiť. Smie sa používať len na prevzdušňovanie domových trávnikov.

Nepoužívajte na žiadne iné účely.

VŠEOBECNÉ BEZPEČNOSTNÉ VÝSTRAHY PRE MECHANICKÉ NÁSTROJE

⚠ VAROVANIE

Pri používaní tohto produktu sa musia dodržiavať bezpečnostné zásady. Pre vašu vlastnú bezpečnosť a bezpečnosť okolostojacich osôb si pred použitím produktu prečítajte tento návod. Odložte si tento návod na neskoršie použitie.

⚠ VAROVANIE

Používajte tento výrobok iba so súpravami batérií, ktoré sú uvedené v tomto návode. Pri používaní akumulátorového nástroja je potrebné dodržiavať základné bezpečnostné opatrenia, aby sa znížilo riziko vzniku požiaru, vytečenia akumulátorov a osobného poranenia.

OSOBNÁ BEZPEČNOSŤ

- Tento výrobok dokáže amputovať ruky alebo nohy a odhadzovať predmety. Pochybenie pri dodržiavaní bezpečnostných pokynov tak môže spôsobiť vážny úraz alebo usmrtenie.
- Oboznámte sa s ovládacími prvkami a správnu obsluhu produktu.
- Nikdy nedovoľte deťom alebo osobám so zníženými fyzickými, duševnými alebo zmyslovými schopnosťami alebo osobám, ktoré nie sú oboznámené s týmto návodom, obsluhovať, čistiť alebo vykonávať údržbu tohto produktu. Miestne platné predpisy môžu obmedzovať dobu použitia kosačky. Deti musia byť pod primeraným dozorom, aby sa nemohli s produktom hrať.
- Pri práci so zariadením buďte ostražití, sledujte, čo robíte a používajte zdravý rozum. Nepoužívajte tento produkt, keď ste unavení, chorí alebo pod vplyvom, alkoholu, drog alebo liekov. Po oddelení akumulátora od kosačky zapojte konektor nabíjačky do zásuvky na akumulátore.

- Používajte hrubé dlhé nohavice, odev s dlhými rukávmi a masívnu nešmykľavú obuv. Nenoste krátke nohavice a sandály ani nechodte naboso. Nenoste odev, ktorý je voľný alebo má voľne visiace šnúrky či pútko.
- Vždy noste bezpečnostné okuliare s bočným ochranným štítom.
- Neprečunujte sa. Vždy dbajte na pevnú oporu nôh, najmä na svahoch. Udržujte bezpečný postoj a rovnováhu. Chodte krokom, nikdy nebežte.
- Produkt používajte na svahoch krížom, nikdy nie nahor a nadol. Ak meníte smer, buďte veľmi opatrní.
- Produkt nepoužívajte v blízkosti prudkých svahov, priekop, veľmi strmých svahov alebo násypov. Nedostatočne stabilný postoj môže byť príčinou uklznutia a pádu.

PRACOVNÝ PRIESTOR

- Keď sa v blízkosti nachádzajú iné osoby, najmä deti alebo domáce zvieratá, nepoužívajte nástroj.
- Predmety, na ktoré narazia hroty prevzdušňovača, môžu osobám spôsobiť vážne poranenia. Dôkladne skontrolujte priestor, kde sa má zariadenie používať a odstráňte všetky kamene, paličky, kov, drôty, kosti, hračky a iné cudzie predmety. Myslite na to, že do rezných zariadení sa môžu zamotať vodiče alebo vlákna.
- Produkt používajte len na dennom svetle alebo pri dostatočnom umelom osvetlení.
- Nepracujte so zariadením vo výbušných atmosférach, napríklad v blízkosti zápalných tekutín, plynov alebo prachu. Zariadenie môže vytvárať iskry, ktoré môžu podpáliť takýto prach alebo výpary.
- Nepracujte so zariadením na mokrej tráve alebo daždi.
- Nepracujte so strojom na dláždenom alebo štrkovom povrchu, kde by vyrážaný materiál mohol spôsobiť poranenie.
- Výrobok prevádzkujte len na rovnom povrchu; obsluhuje sa dvomi rukami, pričom obsluha musí byť za riadidlami.
- Zabráňte používaniu prevzdušňovača za zlého počasia, hlavne ak existuje riziko výskytu bleskov.
- Užívateľ alebo obsluha stroja sú zodpovední za nehody alebo škody na majetku a za nebezpečenstvo vzniknuté pri prevádzke stroja.
- Tragické nehody môžu nastať ak nie je obsluha upozornená na prítomnosť detí. Nikdy sa nespoliehajte na to, že deti ostanú tam, kde ste ich naposledy videli.
- Deťom zabráňte v prístupe na plochu vykonávania práce a zabezpečte, aby na ne dávala pozor zodpovedná dospelá osoba, nie obsluha, ktorá upozorní na nutnosť vypnutia výrobku, ak dieťa vstúpi na plochu.
- Maximálny pozor dávajte pri približovaní k slepým rohom, kríkom, stromom či iným predmetom s previsajúcimi vetvami, ktoré môžu brániť vášmu výhľadu.

POUŽÍVANIE AKUMULÁTORA A STAROSTLIVOSŤ OŇ

- Prečítajte si s porozumením a striktno dodržiavajte bezpečnostné pokyny, ktoré sú pribalené k akumulátoru





a nabíjačke. V opačnom prípade môže dôjsť k zásahu elektrickým prúdom, požiaru alebo nebezpečným situáciám. Všetky pokyny odložte spoločne na bezpečné miesto pre prípad potreby v budúcnosti.

- Akumulátorové nástroje nemusia byť zapojené do elektrickej siete, preto sú neustále v prevádzkovom stave. Vždy, keď produkt nepoužívate, odstráňte odpojovací kľúč.
- Keď vykonávate úpravy, čistíte alebo odstraňujete materiál, vyberte jednotku akumulátora z jednotky.
- Pred vložením jednotky akumulátora skontrolujte, či je rozpojovací kľúč vybrať.
- Jednotku akumulátora možno nabíjať len pomocou nabíjačky špecifikovanej výrobcom. Pri použití nabíjačky s nekompatibilnou jednotkou akumulátora vzniká nebezpečenstvo požiaru. Jednotku akumulátora používajte len s uvedenou nabíjačkou.
- Používajte len jednotku akumulátora určenú konkrétne pre toto zariadenie. Pri použití akýchkoľvek iných jednotiek akumulátorov vzniká riziko požiaru, úderu elektrickým prúdom alebo poranenia osôb.
- Keď sa jednotka akumulátora nepoužíva, nedávajte ju do blízkosti iných kovových objektov, ako sú papierové sponky, mince, kľúče, klince, skrutky či iné malé kovové predmety, ktoré by mohli skratovať svorky. Pri skratovaní svoriek akumulátora môže dôjsť k iskreniu, popáleninám, požiaru alebo explózií.
- Nedávajte akumulátorové zariadenia ani ich akumulátory do blízkosti ohňa alebo tepla. To zvyšuje riziko explózie a možného poranenia.
- Jednotku akumulátora neotvárajte ani nedeformujte. Vytečený elektrolyt je leptavý a môže spôsobiť poškodenie očí alebo pokožky. Pri požití môže byť toxický.
- Jednotku akumulátora chráňte pred vlhkosťou a vodou. Zariadenie nenabíjajte vo vlhkom alebo mokrom prostredí. Dodržiavaním tohto pravidla sa zníži riziko úrazu elektrickým prúdom.
- Pri poškodení a nesprávnom používaní akumulátora môže dôjsť k unikaniu výparov. V prípade komplikácií zabezpečte čerstvý vzduch a vyhľadajte lekársku pomoc. Výpary môžu spôsobiť podráždenie dýchacích ciest.
- Nenechávajte akumulátorovú jednotku vo vozidle pri vysokých alebo nízkych teplotách.
- Akumulátor nespálujte.
- Za nevhodných podmienok, keď by z batérie vytekala kvapalina, predchádzajte kontaktu s ňou. Pri náhodnom kontakte opláchnite vodou. Ak tekutina zasiahne oči, dodatočne vyhľadajte lekársku pomoc. Tekutina vytečená z akumulátora môže spôsobiť podráždenie alebo popáleniny.

BEZPEČNOSTNÉ VÝSTRAHY PRE PREVZDUŠŇOVAČ A AERÁTOR

- Hroty výrobku sú ostré. Pri montáži, výmene, čistení alebo kontrole zaistenia maticových skrutiek budte opatrní a používajte pevné rukavice.
- Skontrolujte, že sú všetky skrutky, matice, maticové

skrutky a iné upevňovacie prvky riadne zaistené a že ochranné kryty a mriežky sú na mieste. Poškodené alebo nečitateľné štítky vymeňte.

- Pred použitím produktu vymeňte všetky opotrebené alebo poškodené diely.
- Pred prevzdušňovaním nainštalujte lapač na úlomky. Plný lapač na úlomky vyprázdňte a pred obnovením činnosti ho znova nainštalujte.
- Produkt sa musí štartovať tak, aby užívateľ stál sa riadidlami v bezpečnej zóne obsluhy. Produkt nikdy neštartujte, ak:
 - všetky štyri kolieska nie sú na zemi,
 - Žlab na vyprázdňovanie úlomkov je odhalený a nie je chránený lapačom na úlomky ani krytom žlabu na vyprázdňovanie úlomkov.
- Produkt nikdy nepoužívajte, ak hlavný spínač na riadidlách nespúšťa a nezastavuje produkt správne.
- Hlavné vypínače nikdy nezaistujte v zapnutej polohe; je to mimoriadne nebezpečné.
- Na nástroj nevyvíjajte silu. Svoju úlohu splní lepšie a bezpečnejšie, keď s ním budete pracovať pri rýchlosti, pre ktorú je určený.
- Počas prechodu cez štrkové povrchy zastavte hroty.
- Pri obracaní alebo ťahaní produktu smerom k sebe budte mimoriadne opatrní.
- Hroty zastavte, ak musíte výrobok nakloniť kvôli doprave počas prechodu cez povrchy iné než je tráva, a pri doprave výrobku na a z miesta výkonu práce.
- Výrobok nikdy nepoužívajte, ak má poškodené kryty alebo štíty, ani bez nainštalovaných bezpečnostných zariadení, napr. vychyľovačov alebo lapača na úlomky.
- Pri zapínaní motora nikdy nenakláňajte výrobok, len ak ho treba kvôli naštartovaniu nakloniť. Ak je to absolútne potrebné, zdvihnúť môžete časť, ktorá je ďalej od obsluhy. Pred návratom stroja na pôdu majte vždy obe ruky v prevádzkovej polohe.
- Opatrne zapnite výrobok podľa predpisov a udržiajte ruky aj nohy mimo hrotov. Nedávajte ruky alebo nohy do blízkosti rotujúcich dielov ani pod ne. Výstupné otvory musia byť vždy čisté.
- Produkt nikdy nedvíhajte ani neprenášajte, keď motor beží.
- Vypnite produkt a odpojte ho z elektrickej siete. Skontrolujte, či sa všetky pohyblivé diely úplne zastavili:
 - vždy, keď necháte produkt bez dozoru (aj pri likvidácii odrezkov trávy).
 - pred odstránením zablokovania či uvoľnením zaneseného žlabu na vyprázdňovanie
 - pred kontrolou, čistením alebo prácou na zariadení
 - po zásahu cudzím predmetom – pred opätovným spustením a použitím zariadenia skontrolujte, či zariadenie nie je poškodené a v prípade potreby vykonajte opravy.
- Ak výrobok začne neštandardne vibrovať, ihneď ho skontrolujte na:
 - skontrolujte poškodenia
 - všetky poškodené diely vymeňte alebo opravte
 - skontrolujte a utiahnite prípadne uvoľnené diely





- Vyhybajte sa dierám, vyjazdeným koľajám, vyvýšeninám, kameňom, alebo iným skrytým predmetom. Nerovný terén môže byť príčinou poklznutia a pádu.
- Rukovať okamžite pusťte a postavte sa v bezpečnej vzdialenosti od výrobku ak:
 - začne výrobok horieť
 - dôjde k poškodeniu chrániča a/alebo skrine
 - vydáva neštandardný zvuk
 - môže dôjsť k nehode alebo poškodeniu
- Vždy dbajte na to, aby pri montáži alebo pri skladaní rukoväte nedošlo k zachyteniu, zovretiu či inému poškodeniu riadiaceho kábla motora.

VAROVANIE

Pred demontážou alebo inštaláciou lapača na úlomky počkajte na úplné zastavenie hrotov.

VAROVANIE

Nedotýkajte sa pohybujúcich sa nebezpečných častí pred odpojením výrobku od napájania a až do úplného zastavenia nebezpečných pohyblivých častí.

DOPLNKOVÉ BEZPEČNOSTNÉ VÝSTRAHY PRE BATÉRIU

VAROVANIE

Aby ste zabránili nebezpečenstvu požiaru spôsobeného skratom, poraneniam alebo poškodeniam výrobku, neponárajte náradie, výmennú batériu alebo nabíjačku do kvapalín a postarajte sa o to, aby do zariadení a akumulátorov nevnikli žiadne tekutiny. Korodujúce alebo vodivé kvapaliny, ako je slaná voda, určité chemikálie a bieliace prostriedky alebo výrobky, ktoré obsahujú bielidlo, môžu spôsobiť skrat.

ZARIADENIE NA OCHRANU PRED PREŤAŽENÍM

Výrobok má ochranné zariadenie proti preťaženiu. Pri zistení preťaženia sa výrobok automaticky vypne. Ak dôjde k aktivovaniu ochrany pred preťažením, je nutné nechať motor počas 5 až 10 minút vychladnúť.

Vypnite produkt a odpojte ho z elektrickej siete. Hroty sú ostré, preto pred dotýkaním si nasadte hrubé rukavice. Hroty sa musia voľne otáčať, nesmú byť zaseknuté ani nadmerne utiahnuté.

Po ochladnutí motora zapojte zástrčku do sieťového zdroja a výrobok zapnite. Produkt spustíte stlačením odomykacieho tlačidla a potom hlavného spínača. Ak výrobok nenaštartuje, požiadajte autorizované servisné stredisko o vykonanie servisu.

VŠEOBECNÉ TIPY NA PREVZDUŠŇOVANIE

- Hĺbku zárezu upravte podľa potrieb trávnik a výšky trávy.

- Ak sa v trávniku vyskytuje mach, týždeň pred plánovaným prevzdušňovaním trávnik pokoste a aplikujte prípravok na ničenie machu.
- Zopár dní pred prevzdušňovaním trávnik polejte, aby bol vlhký, no nie premoknutý.

PREPRAVA A SKLADOVANIE

- Odstráňte zo zariadenia všetky cudzie materiály. Odložte ho na suché a dobre vetrané miesto, na ktoré nemajú prístup deti. Náradie neuskladňujte v blízkosti žieravých látok, ako napríklad v blízkosti záhradníckych chemických prípravkov alebo soli na zimný posyp komunikácií. Neskladujte v exteriéri.
- Pri preprave zaistite produkt pred pohybom alebo pádom, aby nedošlo k poraneniu osôb alebo poškodeniu produktu.

VAROVANIE

Pri dvíhaní alebo nakláňaní zariadenia za účelom údržby, čistenia, uskladnenia alebo prepravy buďte veľmi opatrní. Hroty sú ostré, preto majte všetky časti tela mimo hrotov, kým sú nechránené.

PREPRAVA LÍTOVÝCH AKUMULÁTOROV

Akumulátory prepravujte v súlade s miestnymi smernicami a nariadeniami.

Keď akumulátory prepravuje tretia strana, dodržiavajte všetky požiadavky na balení a označení. Zabezpečte, aby počas prepravy akumulátory neprišli do kontaktu s inými akumulátormi ani vodivými materiálmi – chráňte obnažené konektory pomocou izolácie, nevodivými viečkami alebo páskou. Neprepravujte akumulátory, ktoré sú prasknuté alebo vytekajú. Ďalšie pokyny zistíte u nasledujúcej spoločnosti.

ÚDRŽBA

VAROVANIE

Používajte len originálne náhradné diely, príslušenstvo a nástavce výrobcu. V opačnom prípade môže dôjsť k možnému poraneniu, nedostatočnému výkonu a strate platnosti záruky.

VAROVANIE

Údržba vyžaduje extrémnu starostlivosť a znalosti, a musí byť prevádzaná výhradne v autorizovanom servise. Servis výrobku zverte len autorizovanému servisnému stredisku. Pri servise používajte len originálne náhradné diely výrobcu.

- Po zastavení výrobku na vykonanie servisu, kontroly alebo uskladnenia či výmenu príslušenstva vypnite zdroj napájania, odpojte výrobok od napájania a počkajte na úplné zastavenie všetkých pohybujúcich sa častí. Predtým, ako vykonáte akékoľvek kontroly, úpravy a pod., nechajte stroj úplne vychladnúť. Vykonávajte pozornú údržbu výrobku a uchovávajte ho v čistote.





- Pravidelne kontrolujte lapač na úlomky, či nevykazuje opotrebovanie, otvory alebo poškodenie.
- Môžete vykonávať úpravy a opravy popísané v tejto príručke. Pri ostatných opravách alebo ak potrebujete radu, vyhľadajte pomoc v autorizovanom servisnom centre.
- Z bezpečnostných dôvodov vymeňte všetky opotrebené alebo poškodené diely. Používajte len originálne náhradné diely a príslušenstvo.
- Po každom použití vyčistite produkt mäkkou suchou tkaninou. Akýkoľvek poškodený diel sa musí náležite opraviť alebo vymeniť v autorizovanom servisnom centre.
- Skontrolujte všetky skrutky, matice v častých intervaloch či sú riadne utiahnuté, aby sa zaistila bezpečná prevádzka produktu.
- Počas nastavovaní výrobku dávajte pozor, aby ste predišli zachyteniu prstov medzi pohybujúce sa hroty a pevné časti výrobku.
- Pri servise zostavy hrotov si uvedomte, že napriek tomu, že je zdroj napájania vypnutý, zostava hrotov sa stále ešte môže pohybovať.
- Hroty výrobku sú ostré. Pri montáži, výmene, čistení alebo kontrole zaistenia maticových skrutiek buďte opatrní a používajte pevné rukavice.

UVOLŇUJÚCA BLOKOVANIE

- Vypnite produkt a odpojte ho z elektrickej siete.
- Pri kontrole a čistení zablokovania vždy používajte pevné ochranné rukavice.
- Hroty sú ostré a samotný predmet zablokovania môže byť ostrý.
- Demontujte lapač na úlomky, skontrolujte a opatrne odstráňte upchanie.
- Skontrolujte, či nie je žlab na vyprázdňovanie trávy upchatý a opatrne ho vyčistite.
- Otočte výrobok nabok, skontrolujte spodok výrobku a oblasť okolo hrotov. Ak nájdete nejaké zablokovanie, opatrne ho odstráňte. Nezabudnite, že hroty sa môžu počas čistenia pohybovať.

ZVYŠKOVÉ RIZIKÁ

Aj keď sa nástroj používa podľa predpisu, nie je možné eliminovať určité zvyškové rizikové faktory. Pri použití vznikajú nasledujúce riziká a obsluhujúca osoba musí venovať zvláštnu pozornosť, aby nedošlo k nasledovnému:

- Zranenie spôsobené vibráciami
 - Vždy používajte správny nástroj pre danú úlohu. Používajte určené rukaväti. Obmedzte dĺžku pracovného času a vystavenie účinkom.
- Zranenie spôsobené hlukom
 - Vystavovanie hluku môže spôsobiť poranenie sluchu. Používajte ochranu sluchu a obmedzte expozíciu.
- poranenie pri kontakte s trfmi
- Poranenia spôsobené odhadzovanými predmetmi

OBMEDZENIE RIZIKA

Boli hlásené prípady, kedy vibrácie z ručných nástrojov u niektorých osôb prispeli k stavu nazývanému Raynaudov syndróm. K symptómom patria: trpnutie, znecitlivenie a blednutie prstov, zvyčajne zjavné po vystavení zime. Je známe, že k vývoju týchto symptómov prispievajú: dedičné faktory, vystavovanie zime a vlhkosti, diéta, fajčenie a pracovné návyky. Opatrenia, ktoré môže vykonať obsluhujúca osoba na možné zníženie účinkov vibrácií:

- V studenom počasí udržiavajte svoje telo v teple. Pri práci s produktom noste rukavice, aby ste mali ruky a zápästia v teple. Boli hlásené prípady, kedy hlavným faktorom prispievajúcim k Raynaudovmu syndrómu bolo stúdené počasie.
- Po každom určitom časovom úseku prevádzky cvičte, aby ste zlepšili krvný obeh.
- Počas práce si doprajte časté prestávky. Obmedzte počet vystavení za deň.

Ak zistíte ktorýkoľvek zo symptómov tohto stavu, okamžite prerušte používanie zariadenia, navštívte svojho lekára a povedzte mu o symptómoch.

VAROVANIE

Pri dlhodobom alebo zvýšenom používaní môže dôjsť k zraneniam. Pri používaní nástroja príliš dlhé obdobia si vždy doprajte pravidelné prestávky.

OBOZNÁMTE SA S VAŠIM PRODUKTOM

Pozrite stranu 134.

1. Tlačidlo vypínača
2. Držadlá rúčky
3. Spínače
4. Tyč hornej rúčky
5. Gombíky
6. Imbusový kľúč
7. Trne
8. Kľúč na zapnutie
9. Zadné kolesá
10. Predné kolesá
11. Batéria
12. Nabíjačka
13. Aerátor
14. Páka nastavenia výšky
15. Kryt batérie
16. Zadné dvierka
17. Lapač úlomkov
18. Zostava spodnej rúčky
19. Kabeláž

SYMBOLY NA PRODUKTE



Výstražná značka



Pred zapnutím zariadenia si prosím prečítajte inštrukcie.





Používajte chrániče sluchu



Používajte chrániče zraku



Nevystavujte dažďu ani nepoužívajte vo vlhkom prostredí.



Pozor na vymrštené alebo odletujúce objekty. Všetky okolostojace osoby (najmä deti a domáce zvieratá) musia stáť minimálne 15 m od miesta práce



Dávajte pozor na ostré trne. Trne sa budú po vypnutí motora stále otáčať. Pred údržbou vyberte kľúč izolátora.



Nepracujte na svahoch strmších ako 15°. Produkt používajte na svahoch krížom, nikdy nie nahor a nadol.



Pracovná šírka: 35 cm



Opatrebované elektrické zariadenia by ste nemali odhadzovať do domového odpadu. Prosíme o recykláciu ak je možné. Kontaktujte miestne úrady, alebo predajcu pre viac informácií ohľadom ekologického spracovania.



Vyhovuje všetkým regulačným normám v krajine EÚ, v ktorej bol výrobok zakúpený.



Euroázijská značka zhody



Ukrajinské označenie zhody



Garantovaná hladina akustického výkonu, uvedená na tomto štítku, je 95 dB.

SYMBOLY V TOMTO NÁVODE



Diely alebo príslušenstvo predávané samostatne



Poznámka



Varovanie

Nasledujúce značky a významy vysvetľujú úroveň rizika spojeným s výrobkom.

NEBEZPEČENSTVO

Označuje bezprostredne nebezpečnú situáciu, ktorá môže vyústiť v smrť, alebo vážne zranenie.

VAROVANIE

Označuje potenciálne nebezpečnú situáciu, ktorá môže vyústiť v smrť, alebo vážne zranenie.

VÝSTRAHA

Označuje potenciálne nebezpečnú situáciu, ktorá môže vyústiť v ľahké, alebo stredne ťažké zranenie.

VÝSTRAHA

Bez symbolu bezpečnostného alarmu
Označuje situáciu, ktorá môže zapríčiniť poškodenie majetku.



Безопасността, работните характеристики и надеждността имат най-висок приоритет при проектирането на вашия безжичен скарифikator или аератор.

ПРЕДНАЗНАЧЕНИЕ

Безжичният скарифikator или аератор е предназначен за употреба само на открито. И четирите колелета трябва да се допират до земята по време на скарифичиране или аериране.

Продуктът, оборудван със зъбци за скарифичиране, е предназначен за скарифичиране на домашни тревни площи.

Продуктът, оборудван с приставка на аератор, е предназначен за създаване на дупки в почвата с цел намаляване на сбиването ѝ.

Продуктът е пешеходно управляван скарифikator за тревни площи, предназначен да бъде бутан с ръце. Продуктът не трябва да се дърпа и не трябва да се сяда върху него. Не трябва да се използва за скарифичиране на друго освен домашни тревни площи. Не го използвайте за никакви други цели.

ОСНОВНИ ПРЕДУПРЕЖДЕНИЯ ЗА БЕЗОПАСНОСТ ПРИ РАБОТА С ЕЛЕКТРИЧЕСКИ ИНСТРУМЕНТИ

ПРЕДУПРЕЖДЕНИЕ

При използване на продукта трябва да се спазват правилата за безопасност. За осигуряване на вашата безопасност и тази на страничните наблюдатели прочетете тези инструкции, преди да работите с продукта. Съхранявайте ръководството за експлоатация на сигурно място, за да можете да го ползвате и по-късно.

ПРЕДУПРЕЖДЕНИЕ

Използвайте продукта само с акумулаторните батерии, посочени в настоящото ръководство. При използване на инструмент, захранван с батерия, винаги трябва да се спазват основни предпазни мерки, за да се намали рискът от пожар, течове от батерии и физическо нараняване.

ЛИЧНА БЕЗОПАСНОСТ

- Продуктът може да отреже крак или ръка, както и да изхвърля предмети. Съблюдавайте всички инструкции за безопасност. В противен случай може да се стигне до сериозни физически наранявания или смърт.
- Запознайте се с контролите за управление и правилното използване на продукта.
- Никога не позволявайте на деца, на хора с ограничени физически, сетивни или умствени способности и на хора, които не са запознати с тези инструкции, да работят и да извършват дейности по почистване и поддръжка на продукта. Местните наредби могат да налагат ограничения за възрастта

на оператора. Децата трябва да бъдат внимателно надзиравани, за да се гарантира, че не си играят с продукта.

- Бъдете бдителни, внимавайте какво правите и проявявайте благоразумие, когато боравите с уреда. Не използвайте тази машина, ако сте уморени, болни или под влиянието на алкохол, наркотици или лекарства. Миг невнимание при работа с машината може да доведе до сериозно физическо нараняване.
- Носете тежки, дълги панталони, дрехи с дълги ръкави и здрави обувки против хлъзгане. Не носете шорти, сандали и не ходете боси. Избягвайте носенето на широки дрехи или дрехи с висящи шнурове или вратовръзки.
- Винаги по време на работа носете защитни очила със странични екрани.
- Не се протягайте, за да работите на трудно достижими места. Винаги стъпвайте внимателно и стабилно, особено на стръмни повърхности. Заемайте стабилна позиция и пазете баланс. Вървете, никога не тичайте, когато косите.
- Върху наклонени терени работете с продукта напърно спрямо повърхността, никога нагоре и надолу. Бъдете особено бдителни при смяна на посоката на наклона.
- Не използвайте уреда в близост до насипи, канавки, прекалено стръмни повърхности или диги. Нестабилността по време на работа може да доведе до подхлъзване и падане.

БЕЗОПАСНОСТ НА РАБОТНАТА ЗОНА

- Никога не използвайте инструмента, докато наблизко има хора, особено деца или домашни любимци.
- Обектите, ударени от зъбите на скарифikatora може, може да причинят сериозни физически наранявания. Проверете внимателно зоната, където ще се използва машината, и отстранете всички камъни, пръчки, метални предмети, кабели, кости, играчки или други чужди предмети. Не забравяйте, че в режещия механизъм могат да се заплетат върви или жици.
- Използвайте продукта само на дневна светлина или при добро изкуствено осветление.
- Не работете с машината в среда с повишена опасност от възникване на експлозия, в близост до леснозапалими течности, газове или прахообразни материали. По време на работа инструментът може да произведе искри, които да възпламенят прах или пари.
- Не работете с машината върху влажна трева или при дъжд.
- Не използвайте тази машина на павирани или чакълеста повърхност, където изхвърлен материал може да причини нараняване.
- Използвайте продукта само на хоризонтална повърхност с две ръце, като операторът трябва да е зад кормилото.
- Не използвайте скарифikatora при лоши атмосферни условия особено ако има риск от гръмотевици.





- Трябва да знаете, че операторът или потребителят е отговорен за причиняването на злополуки или щети на други лица или имущество.
- Операторът трябва да е винаги нащрек в присъствието на деца, за да се избегнат трагични инциденти. Не мислете, че децата ще стоят дълго на мястото, където сте ги видели за последно.
- Пазете децата от работната зона и под зорката грижа на отговорен възрастен, различен от оператора, бъдете бдителни и изключете косачката, ако в зоната навлезе дете.
- Бъдете допълнително внимателно при приближаване слепи завои, храсти, дървета или други предмети, включително надвиснали храсти, които могат да попречат на видимостта ви.

ИЗПОЛЗВАНЕ И ОБСЛУЖВАНЕ НА ИНСТРУМЕНТА С БАТЕРИЯ

- Прочетете, разберете и винаги следвайте инструкциите за безопасност, предоставени към вашия акумулатор и зарядно устройство. Неспазването на инструкциите може да доведе до токов удар, пожар или други опасни ситуации. Запазете всички инструкции заедно и на сигурно място за бъдещи справки.
- Не е нужно инструментите, запазвани с батерии, да бъдат включвани в електрически контакт; следователно те винаги са в работно състояние. Изваждайте ключа на изолатора, когато не работите с продукта.
- Извадете батерията, преди да извършвате каквито и да е настройки, почистване или изваждане на материали от уреда.
- Уверете се, че ключът на изолатора е отстранен, преди да поставите батерията.
- Батерията трябва да се зарежда само със зарядното устройство, посочено от производителя. Използването на зарядно устройство с несъвместима батерия може да доведе до риск от пожар. Използвайте само посоченото зарядно устройство, за да зареждате батерията.
- Използвайте само батерии, конкретно предназначени за инструмента. Използването на други батерии може да доведе до риск от пожар, токов удар или физическо увреждане.
- Когато батерията не се използва, съхранявайте я далеч от други метални обекти, като например кламери, монети, ключове, гвоздеи, гайки или други малки метални обекти, които могат да направят връзка между клемите. Евентуално късо съединение от клемите на акумулаторната батерия може да предизвика искри, изгаряния, пожар или експлозия.
- Не оставяйте продукти с батерии или техните батерии близо до огън или топлина. Това повишава опасността от експлозия и вероятността за наранявания.
- Не отваряйте и не повреждайте батерията. Освободеният електролит е разяждащ и може да доведе до увреждане на очите или кожата. Може да

е отровен, ако се погълне.

- Предпазвайте батерията от влага и вода. Никога не презареждайте инструмент на мокри или влажни места. Спазването на това правило ще намали риска от токов удар.
- В случай на повреда и неправилно използване на батерията може да се отделят изпарения. Осигурете свеж въздух и потърсете лекарска помощ в случай на оплаквания. Изпаренията може да възпалят дихателната система.
- Не оставяйте акумулаторната батерия вътре в автомобил, ако условията са много горещи или студени.
- Не изгаряйте батерията.
- При неправилно използване батерията може да отдели течност; избягвайте контакт. Ако случайно настъпи контакт, промийте с вода. Ако течността влезе в контакт с очите, потърсете допълнително медицинска помощ. Отделената от батерията течност може да причини възпаление или изгаряния.

ПРЕДУПРЕЖДЕНИЯ ЗА БЕЗОПАСНОСТ ПРИ РАБОТА СЪС СКАРИФИКАТОРА И АЕРАТОРА

- Зъбците на продукта са остри. Бъдете внимателни и носете здрави предпазни ръкавици, когато затягате, подменяте, почиствате или инспектирате болтовете.
- Проверете дали всички винтове, гайки, болтове и други крепежни елементи са правилно закрепени, както и дали са поставени предпазителите и преградите. Заменете повредените или нечетими етикети.
- Подменяйте износените или повредените части, преди да работите с уреда.
- Преди скарифициране монтирайте коша за отпадъци. Изпразнете коша за отпадъци, когато се напълни, и го поставете обратно, преди да възобновите работата.
- При стартиране на продукта потребителят трябва да е заел позиция зад ръкохватките, където е зоната за безопасност на оператора. Никога не стартирайте продукта, ако:
 - всичките четири колелета не са в плътен контакт със земната повърхност
 - Улеят за отвеждане на отпадъци е изложен и не е защитен от коша за отпадъци и капака на улея за отвеждане на отпадъци.
- Никога не работете с продукта, ако превключвателят за включване/изключване от ръкохватката не стартира и не спира правилно продукта.
- Никога не фиксирайте превключвателите във включено положение; това е изключително опасно.
- Не насилвайте продукта. Той ще свърши работата по-добре и по-безопасно в зададения от производителя диапазон на натоварване.
- Спрете движението на зъбците, когато преминавате през чакълести повърхности.





- Бъдете изключително внимателни, когато обръщате или издърпвате продукта към Вас.
- Спрете движението на зъбците, ако се налага продуктът да бъде наклонен за транспортиране при преминаване на повърхности, различни от трева, както и при транспортиране на продукта до и от работната зона.
- Никога не използвайте продукта, ако има дефектни предпазители или прегради или без да са поставени защитни устройства, като например отклонители и/или кош за отпадъци.
- Не наклоняйте продукта, когато включвате двигателя, освен ако машината не трябва да се наклони, за да бъде стартирана. Ако е абсолютно необходимо, можете да повдигнете само частта, която е по-далеч от оператора. Винаги се уверявайте, че и двете ръце са в работна позиция, преди да върнете машината на земята.
- Включете внимателно продукта съгласно инструкциите и дръжте ръцете и краката далеч от зъбците. Не поставяйте ръцете или краката си близо до или под въртящите се части. Винаги стойте далеч от улея за изхвърляне.
- Никога не вдигайте и не носете продукта, докато моторът му работи.
- Спрете продукта и го изключете от захранването. Уверете се, че всички движещи се части са спрели напълно:
 - когато оставяте продукта без надзор (включително, за да изхвърлите тревните отрязъци);
 - преди почистване на запушване или отпушване на отвеждащия улей
 - преди проверка, почистване или работа по уреда
 - след сблъсък с друг предмет; инспектирайте уреда за повреди и извършете необходимите поправки, преди да рестартирате машината и да я използвате отново.
- Ако машината започне да вибрира необичайно, незабавно проверете:
 - огледайте повредата
 - заменете или ремонтирайте всички повредени детайли
 - проверете има ли незатегнати детайли и при необходимост ги затегнете
- Избягвайте дупки, бразди, издутини, камъни или други скрити предмети. Неравният терен може да доведе до подхлъзване и падане.
- Отпуснете ръкохватката незабавно и се отдалечете от продукта, ако:
 - продуктът се запали
 - предпазителят и/или корпусът са повредени
 - се чуват необичайни звуци
 - възникне инцидент или повреда
- Никога не допускайте контролния кабел на мотора да се заклепва, прищипва или поврежда по друг начин, докато сглобявате продукта или сгъвате ръкохватката.

⚠ ПРЕДУПРЕЖДЕНИЕ

Уверете се, че зъбците са напълно спрени, преди да извадите или поставите кош за отпадъци.

⚠ ПРЕДУПРЕЖДЕНИЕ

Не докосвайте опасни движещи се компоненти, докато продуктът е включен към електрическата мрежа и преди опасните движещи се компоненти да са спрели напълно.

ДОПЪЛНИТЕЛНИ ПРЕДУПРЕЖДЕНИЯ ЗА БЕЗОПАСНОСТ ЗА БАТЕРИЯТА

⚠ ПРЕДУПРЕЖДЕНИЕ

За да избегнете опасността от пожар, предизвикана от късо съединение, както и нараняванията и повредите на продукта, не потапяйте инструмента, сменяемата акумулаторна батерия или зарядното устройство в течности и се погрижете в уредите и акумулаторните батерии да не попадат течности. Течностите, предизвикващи корозия или провеждащи електричество, като солена вода, определени химикали, изобелващи вещества или продукти, съдържащи изобелващи вещества, могат да предизвикат късо съединение.

ПРЕДПАЗНО УСТРОЙСТВО СРЕЩУ ПРЕТОВАРВАНЕ

Машината има предпазно устройство срещу претоварване. Когато се открие претоварване, машината ще се изключи автоматично. Ако предпазното устройство срещу претоварване е задействано, моторът трябва да бъде оставен да изстине за 5 до 10 минути.

Спрете продукта и го изключете от захранването. Зъбците са остри, така че носете здрави предпазни ръкавици, когато ги докосвате. Уверете се, че зъбците могат да се въртят свободно и не са заклени или затегнати.

Когато моторът се охлади, свържете щепсела към електрическото захранване и включете продукта. Натиснете бутона „Старт“ и след това бутона за включване/изключване, за да стартирате уреда. Ако продуктът все още не се стартира, трябва да бъде ремонтиран само в упълномощен сервис.

ОБЩИ СЪВЕТИ ЗА СКАРИФИЦИРАНЕ

- Регулирайте дълбочината на рязане според нуждите за вашата тревна площ и дължината на тревата.
- Окосете тревната си площ и приложете препарат за премахване на мъх една седмица преди планираното от вас скарифициране, ако тревната ви площ има проблеми с мъх.





- Няколко дни преди скарифицирането на тревната ви площ, се уверете, че тя е влажна, но не прекалено мокра.

ТРАНСПОРТИРАНЕ И СЪХРАНЕНИЕ

- Почистете продукта от всички чужди частици. Съхранявайте я на хладно, сухо и добре проветрявано място, което е недостъпно за деца. Не го оставяйте в близост до корозивни материали като градински химикали или соли за размразяване. Не съхранявайте на открито.
- Когато транспортирате продукта, го обезопасете така, че да не може да се движи или да падне, защото това може да доведе до евентуални наранявания на хора или повреди по продукта.

▲ ПРЕДУПРЕЖДЕНИЕ

Бъдете изключително внимателни, когато повдигате или наклоняте машината, за да я транспортирате или да извършвате дейности по поддръжка, почистване или съхранение. Зъбците са остри, дръжте всички части на тялото си надалече от тях, когато са оголени.

ТРАНСПОРТИРАНЕ НА ЛИТИЕВИ БАТЕРИИ

Транспортирайте батериите в съответствие с местните и национални постановления и разпоредби.

Спазвайте всички специални изисквания за пакетирание и етикетирание, когато транспортирате батерии чрез трето лице. Уверете се, че батериите не влизат в контакт с други батерии или проводими материали по време на транспортиране, като предпазите откритите конектори с изолация, непроводими капачета или лента. Не транспортирайте батерии, които са спукани или текат. Свържете се със следната компания за допълнителен съвет.

ПОДДРЪЖКА

▲ ПРЕДУПРЕЖДЕНИЕ

Използвайте само оригинални резервни части, аксесоари и приставки от производителя. В противен случай може да се влоши работата на инструмента или да получите тежки контузии, а гаранцията ви ще стане невалидна.

▲ ПРЕДУПРЕЖДЕНИЕ

Сервизното обслужване изисква изключително внимание и специфични познания и следва да бъде извършвано само от квалифициран техник. Продуктът трябва да бъде ремонтиран само в упълномощен сервиз. При извършване на сервизни дейности използвайте само оригинални резервни части от производителя.

- Когато продуктът бъде спрял за обслужване, проверка, съхранение или при смяна на аксесоар,

изключете източника на захранване, изключете продукта от електрическата мрежа и се уверете, че всички движещи се части са спрени напълно. Изчакайте машината да се охлади преди да й правите оглед, настройки и т.н. Обслужвайте продукта внимателно и го поддържайте чист.

- Проверявайте редовно коша за отпадъци за износване, дупки или повреди.
- Можете да правите настройки и поправки, описани в това ръководство на потребителя. За други поправки или съвети потърсете съдействие от оторизиран сервизен център.
- За обезпечаване на вашата безопасност заменяйте своевременно износени или повредени детайли. Използвайте само оригинални резервни части и аксесоари.
- Всеки път след употреба почиствайте продукта с мека и суха кърпа. Всяка повредена част трябва да бъде поправена или заменена от упълномощен сервизен център.
- Периодично проверявайте дали всички гайки, болтове и винтове са правилно затегнати, за да сте сигурни, че продуктът е в изправност.
- Внимавайте при регулиране на продукта, за да не попаднат пръстите ви между движещите се зъбци и фиксираните компоненти на продукта.
- Когато извършвате обслужване на модула със зъбците, имайте предвид, че те мож да се движат дори и при изключено захранване.
- Зъбците на продукта са остри. Бъдете внимателни и носете здрави предпазни ръкавици, когато затягате, подменяте, почиствате или инспектирате болтовете.

ОТСТРАНЯВАНЕ НА ЗАПУШВАНИЯ

- Спрете продукта и го изключете от захранването.
- Винаги носете здрави защитни ръкавици, когато проверявате за запушвания или отстранявате такива.
- Зъбците са остри и самото задръстване може да бъде остър предмет.
- Свалете коша за отпадъци, проверете за задръствания и го почистете внимателно.
- Проверете изпускателния улей за трева за задръстване и внимателно почистете.
- Завъртете продукта настрани, проверете го от долната страна и зоната около зъбците. Отстранете внимателно задръстванията, ако намерите такива. Не забравяйте, че зъбците може да се движат при почистване.

НЕПРЕДВИДЕНИ РИСКОВЕ

Дори когато продуктът се използва по предназначение, е невъзможно напълно да се ограничи влиянието на определени рискови фактори. Описаните по-долу опасности могат да възникнат по време на работа, като операторът трябва да внимава за избягването на следното:

- Нараняване, причинено от вибрация



- Винаги използвайте правилния инструмент за съответната работа. Използвайте предназначенияте ръкохватки. Ограничавайте времето за работа и излагане на вибрации.
- Наранявания, причинени от шум
 - Излагането на шум може да доведе до увреждане на слуха. Носете антифони и ограничете излагането.
- Нараняване при контакт със зъбците
- Щети, причинени от хвърлени предмети

НАМАЛЯВАНЕ НА РИСКА

Известно е, че вибрациите, произвеждани от ръчни инструменти може да предизвикат у някои индивиди заболяване, наречено Синдром на Рейнолд (Raynaud's Syndrome). Симптомите може да включват изтръпване, схващане и изbledняване на пръстите, обикновено се забелязват при излагане на студ. Смята се, че наследствените фактори, излагането на студ и влага, диетите, пушенето и някои работни навици допринасят за развитието на тези симптоми. Могат да се вземат някои мерки, които могат да се предприемат от оператора, за да се намалят ефектите от вибрациите:

- Поддържайте телесната температура в студено време. Когато работите с продукта, носете ръкавици, за да поддържате ръцете и китките си топли. Според изследвания главният фактор, допринасящ за развитието на Raynaud's Syndrome, е студеното време.
- Правете упражнения за активизиране на кръвообращението след всеки работен цикъл.
- Редовно излизайте в почивка. Ограничете излагането на вибрации на ден.

При поява на някои от симптомите на това заболяване, незабавно прекратете употребата на инструмента и посетете лекар.

⚠ ПРЕДУПРЕЖДЕНИЕ














Продължителното използване на инструмента може да доведе до наранявания или влошаване. При използване на инструмента за продължителни периоди от време правете чести почивки.

ОПОЗНАЙТЕ ВАШИЯ ПРОДУКТ

- Вж. страница 134.
1. Бутон за превключване
 2. Ръкохватки
 3. Спусъци
 4. Прът за горната ръкохватка
 5. Врътки
 6. Ключ шестограм
 7. Зъбци
 8. Ключ за включване
 9. Задни колела
 10. Предни колела
 11. Батерия
 12. Зарядно устройство
 13. Приставка на аератор
 14. Лост с регулируема височина

15. Капак на батерията
16. Задна врата
17. Кош за отпадъци
18. Модул на долната ръкохватка
19. Кабел

СИМВОЛИ НА ПРОДУКТА

-  Предупреждение относно безопасността
-  Прочетете инструкциите внимателно, преди да стартирате машината.
-  Носете антифони
-  Носете защитни средства за очи
-  Не излагайте на дъжд и на влажни условия.
-  Внимавайте за изхвърлени или летящи обекти. Не допускайте странични наблюдатели, особено деца и домашни животни, на по-малко от 15 м от работната зона.
-  Внимание, остри зъбци. След изключване на двигателя зъбците продължават да се въртят. Преди извършване на профилактика свалете разделителя.
-  Не работете по наклони над 15°. Върху наклонени терени работете с продукта на пряко спрямо повърхността, никога нагоре и надолу.
-  35 cm
Работна ширина: 35 cm
-  Електрическите уреди не трябва да се изхвърлят заедно с битовите отпадъци. Рециклирайте, където има възможност. Обърнете се за съвет по рециклирането към местните власти или разпространителите.
-  Тази машина е в съответствие с нормативната уредба на държавата от ЕС, където е била закупена.
-  EurAsian знак за съответствие
-  Украински знак за съответствие



Гарантираното ниво на силата на шум, показано на този етикет, е 95 dB.

СИМВОЛИ В НАСТОЯЩОТО РЪКОВОДСТВО



Частите или принадлежностите се продават отделно



Забележка



Предупреждение

Следните сигнални думи и значенията им са предназначени да обяснят нивата на опасност, свързани с този продукт.

ОПАСНОСТ

Указва неминуемо опасна ситуация, която ако не бъде избегната, ще доведе до сериозни наранявания или смърт.

ПРЕДУПРЕЖДЕНИЕ

Указва потенциално опасна ситуация, която ако не бъде избегната, може да доведе до сериозни наранявания или смърт.

ВНИМАНИЕ

Указва потенциално опасна ситуация, която ако не бъде избегната, може да доведе до дребни или средни наранявания.

ВНИМАНИЕ

Без предупредителен символ за безопасност
Указва ситуация, която може да доведе до имуществени щети.



Головними міркуваннями при розробці цього бездротового розпушувача або аератора були безпека, ефективність та надійність.

ПЕРЕДБАЧУВАНОМУ ВИКОРИСТАННІ

Електричний розпушувач або аератор призначений тільки для використання поза приміщенням. Усі чотири колеса повинні торкатися землі під час розпушування або аерації.

Пристрій має зубці для розпушення та призначений для розпушування домашніх галявин.

Пристрій має насадку для аератора та призначений для створення отворів у ґрунті для зменшення ущільнення ґрунту.

Розпушувач керується вручну користувачем, що йде за пристроєм та штовхає його за ручку. Заборонено тягнути пристрій або їздити на ньому. Його слід використовувати тільки за призначенням, для розпушення газонів.

Не використовуйте для будь-яких інших цілей.

ГОЛОВНІ ПОПЕРЕДЖЕННЯ З БЕЗПЕКИ ЕЛЕКТРОІНСТРУМЕНТУ

Попередження

При використанні продукту, потрібно дотримуватися правил безпеки. Для вашої власної безпеки та безпеки перехожих, будь ласка, прочитайте ці інструкції перед експлуатацією виробу. Будь ласка, збережіть інструкції з безпеки для подальшого використання.

Попередження

Використовуйте пристрій лише з акумуляторами, зазначеними у цій інструкції з використання. При використанні продуктів з акумуляторним живленням, необхідно дотримуватися основних запобіжних заходів, щоб знизити ризик виникнення пожежі, течі акумуляторів і травм.

ОСОБИСТА БЕЗПЕКА

- При неналежному використанні пристрій може відрізати руки чи ступні, а також під час роботи може розкидати предмети, що підпадають під нього. Недотримання правил безпеки може призвести до серйозних травмувань чи навіть летальних наслідків.
- Добре ознайомтеся з органами управління та правильним використанням машини.
- Ніколи не дозволяйте дітям або людям з обмеженими фізичними, сенсорними або розумовими здібностями, або незнайомим з цими інструкціями, працювати, чистити або обслуговувати машину. Місцеве законодавство може обмежувати вік оператора. Потрібно належним чином стежити за дітьми, щоб вони не грали з машиною.

- Будьте уважні, дивіться, що ви робите, і використовуйте здоровий глузд при експлуатації виробу. Не працюйте з виробом, коли ви втомлені або знаходитесь під дією наркотиків, алкоголю або медикаментів. Втрата концентрації під час роботи виробу може призвести до серйозної травми.
- Одягайте важкі, довгі штани, одяг із довгими рукавами та міцне нековзке взуття. Не можна працювати в шортах, сандаліях або босоніж. Уникайте носити вільний одяг, або з висячими шнурками або зав'язками.
- Завжди носіть захисні окуляри з боковими щитками.
- Не тягніться. Завжди будьте впевнені в опорі на схилах. Тримайте міцну опору і рівновагу. Ходіть, ніколи не бігайте.
- При скошуванні на схилах переміщуйте косарку вздовж поверхні схилу, а не вверх-вниз. Будьте особливо обережними під час зміни напрямку на схилах.
- Не використовуйте продукт поблизу обривів, канав, надмірно крутих схилів або набережних. Використання на нерівному ландшафті може спричинити падіння.

БЕЗПЕКА РОБОЧОГО МІСЦЯ

- Ніколи не використовуйте продукт, коли люди, особливо діти, або домашні тварини знаходяться неподалік.
- Предмети, що пошкоджені зубцями розпушувача, можуть завдати людям важкі травми. Ретельно огляньте місце, де використовуватиметься пристрій і приберіть усі камені, великі гілки, металеві предмети, дроти, кістки, іграшки й інші сторонні предмети. Пам'ятайте, що ріжучі засоби можуть заплутати мотузку або дріт.
- Використовуйте продукт при денному світлі або при хорошому штучному освітленні.
- Не використовуйте продукт у вибухонебезпечних атмосферах, наприклад, у присутності легко займистих рідин, газів або пилу. Під час роботи косарки виникають іскри, що можуть призвести до займання пилу або парів.
- Не використовуйте машину при мокрій траві або в дощ.
- Не працюйте з вибром на асфальтованому або гравійному покритті, де викинутий матеріал може привести до травми.
- Використовуйте пристрій на плоскій поверхні, коли користувач йде за пристроєм та тримає його обома руками за ручку.
- Уникайте використання продукту в поганих погодних умовах, особливо, коли є ризик удару блискавки.
- Майте на увазі, що оператор або користувач несе відповідальність за нещасні випадки або пошкодження, спричинені іншим особам або їх майну.
- Неуважність оператора газонокосарки до присутності дітей може мати трагічні наслідки. Не слід сподіватись, що діти залишатимуться там, де Ви в останнє їх бачили.





- Слідкуйте, щоб діти знаходились за межами робочої зони та під наглядом дорослого, який не працює з пристроєм, будьте уважні та вимкніть прилад, якщо дитина входить до небезпечної зони.
- Будьте особливо обережні поблизу поворотів з поганою оглядовістю, чагарників, дерев або інших об'єктів, враховуючи висячі кущі, які можуть заважати огляду.

ВИКОРИСТАННЯ І ДОГЛЯД ІНСТРУМЕНТУ НА БАТАРЕЙКАХ

- Прочитайте, зрозумійте і завжди дотримуйтесь інструкцій з техніки безпеки, що додаються до акумулятора і зарядного пристрою. Невиконання цієї вимоги може призвести до ураження електричним струмом, пожежі або інших небезпечних ситуацій. Зберігайте всі інструкції разом в надійному місці для подальшого використання.
- Машина, працююча на акумуляторі не повинна бути підключена до електричної розетки; тому, вона завжди знаходиться в робочому стані. Висуньте ключ запалення, якщо Ви не користуєтесь косаркою.
- Зніміть акумулятор перед регулюванням, очищенням або видаленням матеріалу з продукту
- Перш ніж вставити акумуляторний блок, переконайтесь, що ключ запалення вийнято.
- Акумуляторна батарея повинна бути заряджена тільки за допомогою зарядного пристрою, зазначеного виробником. Використання зарядного пристрою з несумісною акумуляторною батареєю може створити ризик загоряння. Акумулятор треба заряджати виключно за допомогою зарядного пристрою, рекомендованого виробником.
- Використовуйте лише акумуляторні батареї, спеціально призначені для цієї машини. Використання будь-яких інших акумуляторів може призвести до ризику виникнення пожежі, ураження електричним струмом або травмування осіб.
- Коли акумуляторна батарея не використовується, тримайте її подалі від металевих предметів, таких як кліпси, монети, ключі, цвяхи, гвинти або інші невеликі металеві предмети, які можуть замкнути клемами. Замикання клем акумулятора може призвести до отримання іскор, опіків, пожежі або вибуху.
- Не залишайте акумуляторні продукти або їхні акумулятори поблизу вогню або тепла. Це збільшує ризик вибуху і, можливо, травми.
- Не відкривайте та не діфрмовуйте акумулятор. Електроліт є агресивною рідиною і може призвести до пошкодження очей або шкіри. Він може бути токсичним при ковтанні.
- Захистіть акумуляторний блок від вологи і води. Не заряджайте виріб у вологому або мокрому місці. Дотримання цього правила дозволить знизити ризик ураження електричним струмом.
- У разі пошкодження і неправильного використання акумулятора, може виділятися пара. Забезпечіть доступ свіжого повітря і зверніться за медичною допомогою у разі скарг. Пара може подразнювати дихальні шляхи.

- Не залишайте акумулятор в салоні автомобіля в жарких або холодних умовах.
- Не спалюйте акумулятори.
- У важких умовах експлуатації, рідина може бути випущена з батареї; уникайте контакту. При випадковому контакті змийте водою. При потрапленні рідини в очі, зверніться за медичною допомогою. Рідина з акумулятора може викликати роздратування або опіки.

ПОПЕРЕДЖЕННЯ З ТЕХНІКИ БЕЗПЕКИ ПІД ЧАС РОБОТИ З РОЗПУШУВАЧЕМ ТА АЕРАТОРОМ

- Зубці на пристрої дуже гострі. Будьте вкрай обережні та здійсніте зборку, заміну запчастин, чищення чи перевірку затягування болтів у захисних рукавицях.
- Перед запуском пристрою, переконайтесь, що всі гвинти, шайби, болти та інші кріплення надійно закріплені та захисні щитки та екрани на місці. Замініть пошкоджені або нечитабельні етикетки.
- Замініть зношені або пошкоджені деталі перед початком роботи продукту.
- Перш ніж починати розпушення встановіть контейнер для збору сміття. Очистіть контейнер для сміття після його наповнення, та встановіть його на місце перш ніж продовжити роботу.
- Виріб треба запускати, коли користувач знаходиться позаду керма у безпечній зоні. Ніколи не запускайте виріб, доки:
 - всі чотири колеса не будуть стояти на землі
 - жолоб для викидання сміття відкритий та він незахищений збірником сміття та кришкою для жолоба для викидання сміття
- Ніколи не експлуатуйте виріб, якщо вимикач живлення на кермі не вмикає та вимикає виріб належним чином.
- Ніколи не намагайтесь заблокувати перемикач в увімкненому положенні, це вкрай небезпечно.
- Не тисніть на пристрій Він буде працювати краще і безпечніше при швидкості, для якої він був розроблений.
- При перетині покриття з гравію слід зупинити зубці.
- Проявляйте крайню обережність при русі заднім ходом або коли тягнете прилад на себе.
- Зупиніть зубці, якщо потрібно нахилити пристрій під час транспортування, при перетині будь-яких поверхонь крім трави, та при транспортуванні під час використання.
- Заборонено використання пристрою з пошкодженими захисними кожухами або щитками, або без захисного обладнання, наприклад, відбивача та/або збирача сміття.
- Не нахиляйте виріб при включенні двигуна, за винятком випадків, коли пристрій повинен бути нахилений для запуску. Якщо це дуже необхідно, ви можете підняти лише ту частину, яка знаходиться далі від користувача. Слід завжди переконавшись що обидві руки знаходяться у робочому положенні перед поверненням пристрою на землю





- Обережно увімкніть пристрій відповідно до інструкцій та тримайте руки та ноги якомога далі від зубців. Не підкладайте руки або ноги під обертаючі деталі. Завжди тримайтеся подалі від випускного отвору.
- Ніколи не підіймайте або носіть пристрій під час його роботи.
- Вимкніть продукт і від'єднайте від джерела живлення. Переконайтеся, що всі рухомі частини зупинилися:
 - залишати виріб без нагляду (включаючи утилізацію обрізків трави)
 - перед очищенням закупорень або прочищенням жолобу викидання
 - перед перевіркою, чищенням, або роботі на продукті
 - якщо інструмент натрапив на сторонній предмет огляньте пристрій на наявність пошкоджень, за необхідністю полагодьте, перш ніж продовжувати роботу.
- Якщо пристрій вібрає надто сильно, негайно перевірте:
 - перевірити на наявність пошкоджень
 - замінити або відремонтувати пошкоджені деталі
 - перевірити і затягнути послаблені частини
- Уникайте ям, вибоїн, пагорбів, каменів, жердин, або інших скритих об'єктів. Використання на неровному ландшафті може спричинити падіння.
- Відпустіть ручку негайно та тримайтеся якомога далі від пристрою якщо:
 - пристрій сполохнув;
 - захисне приладдя або корпус зламани;
 - виник незвичний шум;
 - трапилася поломка чи аварія.
- Завжди слідкуйте, щоб дріт від контрольний кабель двигуна ніколи не захоплювався, не защемлювався або не пошкоджувався іншим способом під час збирання або складання ручки.

Попередження

Перш ніж видалити чи встановити колектор сміття переконайтеся, що зубці повністю зупинені.

Попередження

Заборонено торкатись рухомих небезпечних частин пристрою, доки пристрій не від'єднано від мережі живлення та всі небезпечні рухомі частини повністю не зупинились.

ДОДАТКОВІ ПОПЕРЕДЖЕННЯ З ТЕХНІКИ БЕЗПЕКИ ЩОДО ВИКОРИСТАННЯ АКУМУЛЯТОРІВ

Попередження

Для запобігання небезпеці пожежі в результаті короткого замикання, травмам і пошкодженню виробів не занурюйте інструмент, змінний акумулятор або зарядний пристрій у рідину і не допускайте потрапляння рідини всередину пристроїв або акумуляторів. Корозійні і струмопровідні рідини, такі як солоний розчин, певні хімікати, вибілювальні засоби або продукти, що їх містять, можуть призвести до короткого замикання.

ПРИСТРІЙ ЗАХИСТУ ВІД ПЕРЕВАНТАЖЕННЯ

Пристрій оздоблений засобом захисту від перевантаження. Пристрій автоматично вимикається, якщо наявне перевантаження. Якщо спрацює система захисту від перенапруги, дайте двигуну охолонути від 5 до 10 хвилин.

Вимкніть продукт і від'єднайте від джерела живлення. Зубці гострі, одягайте дуже міцні рукавиці перед тим, як торкатись їх. Переконайтеся, що зубці обертаються вільно, не зачіпляються та не перетягнуті.

Коли двигун охолоне, увімкніть штепсель у мережеву розетку, а потім увімкніть пристрій. Для початку роботи пристрою натисніть кнопку пуску (Start), а потім кнопку-перемикач. Якщо пристрій все ще не запускається, слід звернутись до авторизованого сервісного центру.

ЗАГАЛЬНІ ПОРАДИ ЩОДО РОЗПУШЕННЯ

- Відрегулюйте глибину обрізки відповідно до ваших потреб, щодо газону та довжини трави.
- Скосіть газон та за тиждень перед розпушенням обробіть його засобом для знищення моху, якщо ваш газон має проблему з мохом.
- Полийте газон за кілька днів до того, як почнете розпушування, та переконайтеся, що газон вологий, але не надто.

ТРАНСПОРТУВАННЯ ТА ЗБЕРІГАННЯ

- Почистіть всі сторонні матеріали з продукту. Зберігайте продукт в прохолодному, сухому і добре провітрюваному місці, недоступному для дітей. Зберігати подалі від агресивних агентів, таких як садові хімікати і солей проти обледеніння. Не зберігайте на відкритому повітрі.
- Для транспортування, забезпечіть машину від руху або падіння, щоб запобігти травми людей або пошкодження машини.



⚠ Попередження

Будьте вкрай обережні при підйомі або нахиланні косарки під час технічного обслуговування, чищення, зберігання чи транспортування. Зубці дуже гострі, тримайте усі частини вашого тіла як якомога далі під час їх появи.

ПЕРЕВЕЗЕННЯ ЛІТІЄВИХ БАТАРЕЙ

Здійсніть транспортування акумуляторної батареї відповідно до місцевих та загальнодержавних норм і правил.

Дотримуйтесь всі спеціальні вимоги до упаковки і маркування при транспортуванні батареї третьою стороною. Переконайтеся, що під час транспортування акумулятор не вступає в контакт з іншими акумуляторними батареями або струмопровідними матеріалами та захистіть відкриті роз'єми ізоляційними непровідними кришками або стрічкою. Чи не переносьте акумулятори, тріснути або бігу. Зв'язатися з нами для отримання подальших рекомендацій.

ТЕХНІЧНЕ ОБСЛУГОВУВАННЯ

⚠ Попередження

Використовуйте тільки оригінальні запасні частини, аксесуари та обладнання від виробника. Невиконання цієї вимоги може привести до можливої травми, поганої продуктивності та може призвести до втрати гарантії.

⚠ Попередження

Обслуговування вимагає крайньої обережності і знання і повинно бути виконане тільки кваліфікованим фахівцем. Звертайтеся тільки до авторизованого сервісного центру. При технічному обслуговуванні використовуйте тільки ідентичні заміні частини.

- Коли пристрій зупинено для проведення обслуговування, огляду, зберігання, або зміни приладдя, вимкніть його з джерела живлення та переконайтеся, що усі рухомі частини повністю зупинились. Дозвольте пристрою охолонути, перш ніж проводити перевірку та налаштування. Зберігайте пристрій у чистоті та із обережністю.
- Часто перевіряйте колектор для сміття на наявність дірок, зносу або пошкоджень.
- Ви можете зробити регулювання та ремонт, описані в цьому посібнику користувача. Для інших ремонтних робіт, зверніться до авторизованого сервісного агента.
- Замініть зношені або пошкоджені деталі. Використовуйте лише оригінальні запасні частини та аксесуари.
- Після кожного використання, очистіть виріб м'якою сухою тканиною. Будь-яка пошкоджена деталь, має бути правильно відремонтована або замінена в авторизованому сервісному центрі.

- Перевірте всі гайки, болти і гвинти після короткого проміжка часу на правильну герметичність, щоб забезпечити продукт у безпечному робочому стані.
- Будьте обережні під час налаштування пристрою, щоб не защемити пальці між рухомими зубцями та нерухомими частинами пристрою
- Під час обслуговування зубців пам'ятайте, що навіть якщо джерело живлення вимкнено, зубці все ще можуть рухатися.
- Зубці на пристрої дуже гострі. Будьте вкрай обережні та здійсніть зборку, заміну запчастин, чищення чи перевірку затягування болтів у захисних рукавицях.

ВИДАЛЕННЯМ ПЕРЕШКОД

- Вимкніть продукт і від'єднайте від джерела живлення.
- Завжди носіть важкі захисні рукавички при перевірці і очищенні засмічення.
- Зубці гострі та предмет, що їх блокує може бути гострим.
- Зніміть збирач сміття, перевірте його та видаліть сміття.
- Перевірте жолоб викидання трави на закупорення та обережно очистіть.
- Переверніть пристрій на бік, перевірте днище пристрою та зону навколо зубців. При наявності засмічення, обережно видаліть його. Пам'ятайте, що зубці можуть рухатися під час чищення.

НЕПЕРЕДБАЧЕНІ РИЗИКИ

Навіть за належного використання інструмента неможливо повністю нейтралізувати певні фактори залишкового ризику. Наступні небезпеки можуть виникати при використанні продукту та оператору слід звернути особливу увагу, щоб уникнути наступного:

- Травми спричинені вібрацією.
 - Завжди використовуйте для роботи правильний інструмент. Використовуйте призначені для цього ручки. Обмежуйте робочий час та вплив.
- Травми, викликані шумом
 - Підвищений рівень шуму може спричинити пошкодження слуху. Надягайте захист для органів слуху та лімітуйте вплив.
- травми від контакту з зубцями
- Травмування відлітаючими частками

ЗНИЖЕННЯ РИЗИКУ

Відомі випадки, коли вібрація від ручних інструментів сприяє появі так званого синдрому Рейно. Симптоми схожі на ті, що з'являються під впливом холоду, включаючи поколювання, оніміння та збліднення пальців. Вважається, що спадкові чинники, вплив холоду і сирості, харчування, куріння і деякі звички роботи сприяють розвитку цих симптомів. Можна прийняти деякі заходи, які можуть бути прийняті оператором, щоб зменшити вплив вібрації:

- Підтримувати температуру тіла в холодну погоду. При використанні інструменту надягайте рукавички,

щоб тримати руки та зап'ястки у теплі. Згідно з дослідженнями, основний внесок в розвиток синдрому Рейно, є холодна погода.

- Вправа для активації кровообігу після кожного запуску.
- Регулярно йдуть на перерву. Лімітуйте кількість роботи на день.

Якщо ви виявили будь-який з цих симптомів, негайно припиніть використання і зверніться до вашого лікаря згідно цих симптомів.

⚠ Попередження

Тривале використання інструменту може призвести до травмування або загострення існуючої травми. При використанні приладу протягом тривалого періоду часу, часті перерви.

ЗНАЙ СВІЙ ПРОДУКТ

Дивіться сторінку 134.

1. Кнопка ввімкнення
2. Ручки
3. Тригери
4. Верхня частина ручки
5. Кнопки
6. Шестигранний ключ
7. Зубці
8. Ключ перемикачання
9. Заднє колесо
10. Переднє колесо
11. Акумулятор
12. Зарядний пристрій
13. Аксесуари аератора
14. Регулятор висоти
15. Кришка акумуляторного відсіку
16. Задні двері
17. Колектор сміття
18. Нижня ручка у зборі
19. Електропровід

СИМВОЛИ НА ПРОДУКТІ



Попередження



Перед початком роботи с пристроєм уважно прочитайте інструкції.



Одягайте засоби для захисту слуху.



Одягайте захисні окуляри



Не піддавайте впливу дощу або вогкому стану.



Остерігайтеся кинутих або літаючих об'єктів. Тримайте всіх перехожих, особливо дітей і домашніх тварин, принаймні 15 м від робочої зони.



Остерігайтеся гострих зубців. Зубці продовжують обертатися після того, як двигун вимкнено. Перш ніж проводити технічне обслуговування, видаліть ключ ізольатору.



Не працюйте на ухилах більше 15°. При скошуванні на схилах переміщуйте косарку вздовж поверхні схилу, а не вгору-вниз.



Робоча ширина 35 см



Не викидати відпрацьовані електричні прилади разом із побутовими відходами Утилізувати у спеціально призначених закладах. За консультацією по утилізації приладу зверніться до органу місцевої влади або дилера



Відповідає всім нормативним стандартам в країнах ЄС, де виріб було придбано.



Євразійська знак відповідності.



Український знак відповідності



Гарантований рівень звуку, показаний на цьому малюнку, становить 95 дБ.

СИМВОЛИ В ЦЬОМУ ПОСІБНИКУ



Запчастини та аксесуари, що продаються окремо



ПРИМІТКА



Попередження

Наступні сигнальні слова і змісти призначені для пояснення рівнів ризику, пов'язаних з продуктом.

⚠ НЕБЕЗПЕКА

Вказує на неминуче небезпечну ситуацію, яка, якщо її не уникнути, може призвести до смерті або серйозних травм.

 **Попередження**

Вказує на потенційно небезпечну ситуацію, яка, якщо її не уникнути, може призвести до смерті або серйозних травм.

 **УВАГА**

Вказує на потенційно небезпечну ситуацію, яка, якщо її не уникнути, може призвести до легкої або середньої травми.

УВАГА

Без попереджуючих символів

Вказує на ситуацію, яка може призвести до пошкодження майна.

Kablosuz tirmiğinin ve havalandırıcının tasarımında güvenlik, performans ve güvenilirliğe en yüksek öncelik verilmiştir.

KULLANIM AMACI

Kablosuz tirmik veya havalandırıcı sadece dış mekan kullanımına yöneliktir. Kazıma veya havalandırma sırasında dört teker de yere temas etmelidir.

Kazıyıcı dişleri bulunan ürün ev çimi kazımak için tasarlanmıştır.

Havalandırıcı eklentisi takılı ürün toprak sıkışmasını azaltmak amacıyla toprakta delikler oluşturmak için tasarlanmıştır.

Ürün, yaya kontrollü, elle itilmek üzere tasarlanmış bir çim tirmiğidir. Çekilmemeli ya da üzerine binilmemelidir. Ev çimleri dışında şeyleri tirmiklamak için kullanılmamalıdır.

Başka herhangi bir amaçla kullanmayın.

ELEKTRİKLİ ALET İÇİN GENEL GÜVENLİK TALİMATLARI

⚠ UYARI

Bu ürünü kullanırken güvenlik kurallarına uyulmalıdır. Kendi güvenliğinizi ve çevrenizdeki kişilerin güvenliği için ürünü kullanmadan önce bu talimatları tamamen okumalı ve anlamalısınız. Lütfen bu talimatları daha sonra kullanmak üzere güvenli bir yerde saklayın.

⚠ UYARI

Ürün sadece bu kılavuzda belirtilen pil paketleriyle çalıştırılmalıdır. Pille çalışan ürün kullanırken yangın, pil akması ve kişisel yaralanma risklerini azaltmak için her zaman temel emniyet önlemlerinin alınması gereklidir.

KİŞİSEL GÜVENLİK

- Ürün el ve ayakları kesebilir, cisimler fırlatabilir. Güvenlik talimatlarına tamamen uyulmaması ciddi yaralanmalara veya ölüme neden olabilir.
- Ürünün kontrollerini ve nasıl doğru şekilde kullanılacağını öğrenin.
- Çocuklar ya da kısıtlı fiziksel, duyuşsal ya da zihinsel becerilere sahip ya da bu talimatlara aşına olmayan kişilerin ürünü çalıştırma, temizleme ya da bakım yapmasına asla izin vermeyin. Yerel yönetmelikler kullanıcının yaşına kısıtlama getirebilir. Ürünle oynamadıklarından emin olmak için çocuklara uygun şekilde nezaret edilmelidir.
- Tetikte olun, yaptığınız işi izleyin ve ürünü kullanırken sağduyunuzu kullanın. Ürünü hiçbir zaman yorgunken, hastayken veya alkol, uyuşturucu veya ilaç etkisi altındayken kullanmayın. Ürünü kullanırken konsantrasyon eksikliği ciddi kişisel yaralanmaya yol açabilir.
- Ağır, uzun pantolon, uzun kollu kıyafetler ve kaymaz ayakkabı giyin. Kısa pantolon ve sandalet kullanmayın, yalınayak çalışmayın. Üzerinize bol olan veya iplerin veya bağcıkların sarktığı kıyafetler giymekten kaçınin.

- Her zaman yan siperlere sahip güvenlik gözlükleri takın.
- Yukarıya doğru erişmeye çalışmayın. Eğimli yerlerde yere her zaman sağlam bastığınızdan emin olun. Yere sağlam basın ve dengede durun. Yürüyün, hiçbir zaman koşmayın.
- Ürünü yamaçlarda yukarı veya aşağıya doğru değil, yamaç boyunca kullanın. Eğimler üzerinde yön değiştirirken çok dikkatli olun.
- Ürünü çukurların, hendeklerin, çok dik eğimlerin ya da setlerin yakınında kullanmayın. Yere sağlam basmamak kayma ve düşme kazalarına neden olabilir.

ÇALIŞMA ALANI GÜVENLİĞİ

- Ürünü hiçbir zaman yakın insanlar, özellikle çocuklar veya hayvanlar varken kullanmayın.
 - Tirmiğin dişlerine takılan nesnelere insanların ciddi şekilde yaralanmasına neden olabilir. Makinenin kullanılacağı alanı iyice inceleyin ve tüm kayaları, tahta parçalarını, metalleri, kemikleri, oyuncakları veya diğer yabancı nesnelere temizleyin. İp ya da kablounun kesme araçlarına dolanabileceğini unutmayın.
 - Ürünü gün ışığında ya da iyi yapay aydınlatmayla kullanın.
 - Ürünü alev alabilen sıvı, gaz ya da tozun bulunduğu patlayıcı atmosferlerde kullanmayın. Ürün doz ya da dumana yol açan kıvılcımlar üretir.
 - Makineyi ıslak çim üzerinde veya yağmurda kullanmayın.
 - Ürünü fırlayan maddelerin yaralanmaya neden olabileceği asfalt kaplı veya çakıllı bir yüzeyde kullanmayın.
 - Ürünü yalnızca operatör gidonun arkasında olacak şekilde iki eli de kullanarak düz bir yüzeyde çalıştırın.
 - Ürünü kötü hava koşullarında, özellikle yıldırım düşme riski varken kullanmaktan kaçınin.
 - Kazalardan ve diğer insanlara veya mallarına zarar verebilecek tehlikelerden kullanıcının sorumlu olduğunu unutmayın.
 - Eğer kullanıcı çocuklara karşı tetikte olmazsa trajik kazalar meydana gelebilir. Hiçbir zaman çocukların onları en son gördüğünüz yerde kalacağını varsaymayın.
 - Çocukları çalışma alanının dışında ve kullanıcı dışında yetişkin birinin dikkatli gözetimi altında tutun, dikkatli olun ve alana çocuk girdiğinde ürünü kapatın.
 - Görüşünüzü engelleyebilecek kör köşeler, çalılar, ağaçlar ya da asılı çalılar dahil diğer nesnelere yaklaşırken ekstra dikkatli olun.
- ### PİLLİ ALET KULLANIMI VE BAKIMI
- Piliiniz ve şarj cihazınız ile birlikte temin edilen emniyet talimatlarını okuyun, anlayın ve her zaman uygulayın. Aksi halde elektrik çarpması, yangın ya da diğer tehlikeli durumlarla karşı karşıya kalabilirsiniz. Daha sonra ulaşabilemeniz için tüm talimatları birlikte emniyetli bir yerde saklayın.
 - Bataryalı aletlerin elektrik prizine takılması gerekmez; dolayısıyla her zaman çalışır durumdadırlar. Ürünü kullanmadığınız zamanlarda yalıtık anahtarını çıkarın.



- Herhangi bir ayarlama, temizlik işleminden ya da üründen materyal çıkartmadan önce pil paketini çıkarın.
 - Pil paketini takmadan önce yalıtkan anahtarının çıkarıldığından emin olun.
 - Pil paketi yalnızca üreticinin belirttiği şarj cihazı ile tekrar şarj edilmelidir. Pil paketi ile uyumlu olmayan şarj cihazı kullanımı yangın riskine yol açabilir. Batarya takımını sadece önerilen şarj cihazı ile birlikte kullanın.
 - Yalnızca özellikle ürün için üretilmiş pil paketi kullanın. Farklı pil paketlerinin kullanımı yangın, elektrik çarpması ya da kişilerin yaralanması riskine yol açabilir.
 - Pil takımı kullanılmadığı zaman ataş, bozuk para, anahtar, çivi, vida ve diğer metal nesnelere gibi bir terminalden diğerine bağlantı oluşturabilecek diğer metal nesnelere uzak tutun. Pil paketi kutuplarının temas etmesi kıvılcım, yanık, yangın ya da patlamaya neden olabilir.
 - Bataryalı aletleri veya bataryalarını ateş veya ısı kaynağının yakınına koymayın. Bu durum patlama ve olası yaralanma riskini artırır.
 - Pil paketini açmayın ya da tahrip etmeyin. Ortaya çıkan elektrolit aşındırıcıdır ve göz ya da cilde zarar verebilir. Yutulduğunda zehirli olabilir.
 - Pil paketini nem ve sudan uzak tutun. Ürünü nemli ya da ıslak bir yerde şarj etmeyin. Bu kurala uymak elektrik çarpması riskini azaltır.
 - Pil hasar gördüğünde ya da uygunsuz kullanıldığında, buhar yayılabilir. Şikayet ortaya çıkması durumunda temiz hava sağlayın ve tıbbi yardım isteyin. Buhar solunum sistemini rahatsız edebilir.
 - Pil paketini sıcak ya da soğuk durumlarda araç içinde bırakmayın.
 - Pili yakmayın.
 - Kötü koşullarda pilden sıvı boşalabilir; temas etmekten kaçınınız. Eğer kazara temas ederseniz temas eden yeri suyla yıkayın. Eğer sıvı gözlerinize temas ederse ek olarak tıbbi yardım alın. Pilden boşalan sıvı tahrişe veya yanıklara neden olabilir.
- TIRMİK VE HAVALANDIRICI GÜVENLİK UYARILARI**
- Ürünün dişleri keskindir. Bıçağı takarken, değiştirirken, temizler ya da civataların sağlamlığını kontrol ederken ağır iş eldivenleri kullanın.
 - Tüm vidaların, somunların, civataların ve diğer bağlantı parçalarının düzgün bir şekilde sabitlendiğinden ve kılavuzlarla elelerin yerinde olduğundan emin olun. Hasarlı veya okunaksız etiketleri değiştirin.
 - Ürünü kullanmadan önce aşınan veya zarar göre parçaları değiştirin.
 - Tırmıklamadan önce çöp toplayıcıyı takın. Dolduğunda çöp toplayıcıyı boşaltın ve çalışmaya yeniden başlamadan önce tekrar takın.
 - Ürün, operatör emniyet bölgesinde, ürün tutacaklarının arkasındayken çalıştırılmamalıdır. Aşağıdaki durumlarda ürünü asla çalıştırmayın:
 - dört tekerleğin hepsi yerde değilse
 - çöp atma kanalı açıktadır ve çöp toplayıcı ya da çöp atma kanalı kapağı ile korunmamaktadır
 - Tutacak üzerindeki açma kapama düğmesi ürünü düzgün şekilde çalıştırıp durdurmuyorsa ürünü asla kullanmayın.
 - Açma kapama düğmesini asla sabitlemeye çalışmayın, bu çok tehlikelidir.
 - Ürünü zorlamayın. Tasarlandığı hızda çalışmayı daha iyi ve daha güvenli bir şekilde yapacaktır.
 - Çakıllı yüzeylerden geçerken dişleri durdurun.
 - Terse döner ya da ürünü kendinize doğru çekerken son derecede dikkatli davranın.
 - Çimden başka yüzeylerden geçerken, ürünün taşınmak için eğilmesi gerekiyorsa veya ürün çalışma alanına götürülüyor ya da oradan getiriliyorsa, dişleri durdurun.
 - Ürünü bozuk muhafaza ya da kalkanlar ile ya da emniyet cihazları, örneğin deflektörler ve/veya çöp toplayıcı ya da ikisi birden yerinde olmadan asla kullanmayın.
 - Çalıştırmak için makinenin eğilmesi gerekmediği sürece motoru çalıştırırken ürünü eğmeyin. Tamamen gerekliyse yalnızca kullanıcıdan uzak olan parçayı kaldırılabilirsiniz. Makineyi yere geri döndürmeden önce her zaman her iki elin de çalışma pozisyonunda olduğundan emin olun.
 - Talimatları dikkatlice takip ederek ürünü çalıştırın ve el ve ayaklarınızı dişlerden uzak tutun. El ve ayakları döner parçaların altına koymayın. Boşaltma ağızını daima temiz tutun.
 - Ürünü çalışır konumdayken asla kaldırmayın ya da taşımayın.
 - Ürünü kapatın ve güç kaynağından ayırın. Tüm hareketli parçaların tamamen durduğundan emin olun:
 - ürünü tek başına her bıraktığınızda (biçilen çimlere boşaltırken de)
 - tıkanıklığı temizlemeden ya da atma kanalını açmadan önce
 - ürünü kontrol etme, temizleme ve ürün üzerinde çalışmadan önce
 - yabancı bir nesneye çarptıktan sonra; cihazı hasara karşı inceleyin ve makineyi yeniden çalıştırmadan ve kullanmadan önce gerekli onarımları yapın.
 - Ürün anormal şekilde titreşim yapmaya başlarsa derhal aşağıdakileri kontrol edin:
 - Hasara karşı kontrol edin
 - tüm hasarlı parçaları değiştirin veya onarın
 - Herhangi bir gevşek parçaya karşı kontrol edin ve sıkın
 - Deliklerden, oluklardan, tümseklerden, kayalardan, temel kazıklarından veya diğer gizli nesnelere kaçınınız. Düz olmayan araziler kayma ve düşme kazalarına neden olabilir.
 - Aşağıdaki durumlarda gidonu hemen bırakın ve üründen uzak durun:
 - ürün alev alırsa
 - muhafaza ve/veya yatak kırılırsa
 - anormal bir ses çıkarsa
 - herhangi bir kaza veya kırılma olursa
 - Her zaman motor kontrol kablosunun montaj esnasında veya tutacağı katlarken takılmadığından ya da sıkışmadığından emin olun.



⚠ UYARI

Çöp toplayıcıyı sökmeyen veya takmadan önce dişlerin tamamen durduğundan emin olun.

⚠ UYARI

Ürünü güç kaynağından ayırmadan ve hareketli tehlikeli parçalar tamamen durmadan hareketli ve tehlikeli aksama dokunmayın.

PİL İÇİN EK GÜVENLİK UYARILARI

⚠ UYARI

Bir kısa devreden kaynaklanan yangın, yaralanma veya ürün hasarları tehlikesini önlemek için aleti, güç paketini veya şarj cihazını asla sıvıların içine daldırmayınız ve cihazların ve pillerin içine sıvı girmesini önleyiniz. Tuzlu su, belirli kimyasallar, ağartıcı madde veya ağartıcı madde içeren ürünler gibi korozif veya iletken sıvılar kısa devreye neden olabilir.

AŞIRI YÜK KORUMASI CİHAZI

Ürün bir aşırı yük koruması cihazına sahiptir. Aşırı yükleme belirlendiğinde ürün otomatik olarak kapanacaktır. Aşırı yük koruyucusu devredeyse, motorun 5 ile 10 dakika soğumaya bırakılması gerekir.

Ürünü kapatın ve güç kaynağından ayırın. Dişler keskindir, dokunmadan önce ağır iş eldivenleri takın. Dişlerin rahat bir şekilde döndüğünden ve sıkı ya da sıkışık olmadığından emin olun.

Motor soğuduğunda fişi güç kaynağına takın ve ürünü açın. Ürünü çalıştırmak için Başlatma butonuna basın ve ardından Açma kapama butonuna basın. Ürün çalışmaya başlamazsa ürünün yalnızca yetkili bir servis merkezine servise gönderin.

GENEL TIRMIKLAMA İPUÇLARI

- Kesme derinliğini çiminizin gerektirdiği şekilde ve çim uzunluğuna göre ayarlayın.
- Çiminizde bir yosun sorunu varsa tırmıklama yapmadan bir hafta önce çimleri biçin ve yosun öldürücü uygulayın.
- Çiminizin nemli ama fazla ıslak olmamasından emin olmak için tırmıklamadan birkaç gün önce çiminizi sulayın.

TAŞIMA VE DEPOLAMA

- Üründeki tüm yabancı maddeleri temizleyin. Çocukların erişemeyeceği serin, kuru ve iyi havalandırılan bir yerde depolayın. Bahçe kimyasalları ve buz çözücü tuzlar gibi korozif maddelerden uzak tutun. Açık alanda depolamayın.
- Taşınacağı zaman insanların yaralanmasını veya ürünün zarar görmesini önlemek amacıyla ürünü hareket etmemesi veya düşmemesi için sabitleyin.

⚠ UYARI

Makineyi balım, temizlik, depolama veya taşıma amacıyla kaldırırken veya yatırırken çok dikkatli olun. Dişler serttir, açıkta olduklarında tüm vücut parçalarını dişlerden uzakta tutun.

LİTYUM BATARYALARIN TAŞINMASI

Bataryayı yerel ve ulusal hükümlere ve yönetmeliklere uygun şekilde taşıyın.

Bataryalar üçüncü bir şahıs tarafından taşındığında ambalaj ve etiket üzerindeki tüm özel koşullara uyun. Açıkta bulunan konnektörleri yalıtkan, iletken olmayan başlıklar veya bant ile koruyarak hiçbir bataryanın taşıma sırasında diğer bataryalarla veya iletken malzemelerle temas etmediğinden emin olun. Çatlak veya sızdıran bataryaları taşımayın. Ek tavsiye için nakliye şirketi ile birlikte kontrol edin.

BAKIM

⚠ UYARI

Sadece orijinal üreticinin yedek parçalarını, aksesuarlarını ve ek parçalarını kullanın. Aksine davranış olası yaralanmaya yol açabilir, yetersiz performansla neden olabilir ve garantinizin geçersiz olmasıyla sonuçlanabilir.

⚠ UYARI

Servis çalışması en yüksek düzeyde dikkat ve bilgi gerektirir ve sadece nitelikli bir servis teknisyeni tarafından yapılmalıdır. Ürünün servis işlemlerini sadece yetkili bir servis merkezinde yaptırın. Servis yapılırken sadece aynı yedek parçaları kullanın.

- Ürün servis, muayene veya saklama ya da aksesuar değişimi için durdurulduğunda, güç kaynağını kapatın, ürünün elektrik bağlantısını kesin ve tüm hareketli parçaların tamamen durduğundan emin olun. Herhangi bir muayene veya ayar yapmadan önce ürünün soğumasını bekleyin. Ürünün bakımını özenle yapın ve temiz tutun.
- Aşınmalara, deliklere veya bozulmaya karşı çöp toplayıcıyı sık sık kontrol edin.
- Sadece bu kılavuzda açıklandığı şekilde ayar veya onarım yapabilirsiniz. Diğer onarımlar için yetkili servis temsilcisini arayın.
- Güvenliğiniz için, aşınmış veya hasarlı parçaları değiştirin. Ürünün servis işlemlerini sadece yetkili bir servis merkezinde yaptırın. Servis yapılırken sadece aynı yedek parçaları kullanın.
- Her kullanım sonrası ürünü yumuşak ve kuru bir bezle temizleyin. Hasarlı her tür parça yetkili servis merkezi tarafından uygun şekilde onarılmalı veya değiştirilmelidir.
- Ürünün güvenli çalışma durumunda olduğundan emin olmak için tüm somunların, civataların ve vidaların doğru sıklıkta sık aralıklarla takıldığını kontrol edin.

- Hareketli dişlerin ve ürünün sabit parçalarının arasına parmakların sıkışmasını önlemek için ürünü ayarlarken dikkatli olun.
- Diş grubuna bakım yaparken, güç kaynağının kapalı olmasına rağmen diş grubunun yine de döndürülebileceğini unutmayın.
- Ürünün dişleri keskindir. Bıçağı takarken, değiştirirken, temizler ya da civatalarını sağlamlığını kontrol ederken ağır iş eldivenleri kullanın.

TIKANIKLIKLARIN GİDERİLMESİ

- Ürünü kapatın ve güç kaynağından ayırın.
- Tıkanıklığı kontrol ederken ve giderirken her zaman ağır işe uygun koruyucu eldiven takın.
- Dişler keskindir ve tıkanıklığa neden olan keskin bir cisim olabilir.
- Çöp toplayıcıyı çıkarın ve engel olup olmadığını kontrol edip engelleri giderin.
- Çim atma kanalını kontrol edin ve tıkanıklık varsa temizleyin.
- Ürünü yana yatırın, altını ve dişlerin etrafını kontrol edin. Tıkanıklık varsa dikkatlice giderin. Dişlerin temizleme sırasında hareket edebileceğini unutmayın.

ARTIK RİSKLER

Ürün belirtilen şekilde kullanıldığında bile belirli artık risk faktörlerini tamamen ortadan kaldırmak mümkün değildir. Kullanım sırasında aşağıdaki tehlikeler ortaya çıkabilir ve kullanıcının aşağıdaki durumları önlemek için özellikle dikkatli olması gerekir:

- Titreşim nedeniyle yaralanma.
 - İş için her zaman doğru aleti kullanın. Belirlenmiş tutamakları kullanın. Çalışma ve maruz kalma süresini sınırlayın.
- Gürültü nedeniyle yaralanma
 - Gürültüye maruz kalmak işitme sorunlarına neden olabilir. Kulak tıkacı takın ve maruz kalma süresini sınırlandırın.
- dişlerle temas nedeniyle yaralanma
- fırlayan nesnelere yaralanmalar

RİSK AZALTMA

El aletlerinden kaynaklanan titreşimlerin belirli kişilerde Raynaud Sendromu adı verilen bir durumu etkilediği bildirilmiştir. Semptomlar içerisinde parmaklarda genellikle soğuğa maruz kaldığında açığa çıkan karıncalanma, hissizlik ve ağrı yer bulunabilir. Kalıtsal faktörler, soğuğa ve neme maruz kalma, diyet, sigara içme ve çalışma uygulamalarının hepsinin bu semptomların gelişimini etkilediği düşünülmektedir. Titreşim etkilerini azaltmak için kullanıcı tarafından alınabilecek önlemler vardır:

- Soğuk havada vücut ısınızı koruyun. Ürünü kullanırken ellerinizi ve bileklerinizi sıcak tutmak için eldiven giyin. Soğuk havanın Raynaud Sendromu'nu etkileyen önemli bir faktör olduğu bildirilmiştir.

- Her kullanım süresinden sonra kan dolaşımını artırmak için egzersiz yapın.
- Sık çalışma molası verin. Günlük maruz kalma miktarını sınırlayın.

Eğer bu durumla ilgili herhangi bir semptom görürseniz çalışmayı derhal bırakın ve doktorunuza başvurun.

⚠ UYARI

Ürünün uzun süre kullanılması nedeniyle yaralanmalar meydana gelebilir veya kötüleşebilir. Herhangi bir alet uzun süre kullanıldığında düzenli molalar verdiğinizden emin olun.

ÜRÜNÜZÜ TANIYIN

Bkz. sayfa 134.

1. Açma düğmesi
2. Tutma yerleri
3. Tetikler
4. Üst tutamak çubuğu
5. Topuzlar
6. Altıgen anahtar
7. Dişler
8. Açma/kapama anahtarı
9. Arka tekerlek
10. Ön tekerlek
11. PİL
12. Şarj cihazı
13. Havalandırma eklentisi
14. Yükseklik Ayar Kolu
15. PİL kapağı
16. Arka kapı
17. Döküntü toplayıcı
18. Alt tutamak grubu
19. Kablolar

ÜRÜN ÜZERİNDEKİ SEMBOLLER



Güvenlik ikazı



Lütfen makineyi çalıştırmadan önce talimatları dikkatlice okuyun.



Kulak tıkacı takın.



Koruyucu gözlük takın.



Ürünü yağmura veya nemli koşullara maruz bırakmayın.



Fırlayan ve sıçrayan nesnelere dikkat edin. Üçüncü şahısları, özellikle çocukları ve evcil hayvanları çalışma alanından en az 15 m uzakta tutun.



Keskin diřlere dikkat edin
Diřler motor kapandıktan sonra da
dönmeye devam eder.
Bakım öncesinde yalıtım anahtarını
çıkartın.



15°'den daha büyük eğimlerde
kullanmayın. Ürünü yamaçlarda yukarı
veya aşağıya doğru değil, yamaç
boyunca kullanın.



Çalışma genişliği: 35 cm



Atık elektrikli ürünler evsel atıklarla
birlikte atılmamalıdır. Lütfen tesislerin
mevcut olduğu yerlerde geri dönüřtürün.
Geri dönüřüm tavsiyesi için bölgenizdeki
yetkili merciyeye veya satıcıya başvurun.



Ürünün satın alındığı AB ülkesindeki tüm
düzenleyici standartlara uygundur.



EurAsian Uygunluk İşareti



Ukrayna uygunluk işareti.



Güvenceli ses gücü seviyesi bu etikette
95 dB olarak gösterilmektedir.

BU KILAVUZDAKİ SEMBOLLER



Ayrı satılan parçalar veya aksesuarlar



Not



Uyarı

Aşağıdaki işaret sözcükler ve anlamları bu ürünle ilişkili risk seviyelerinin açıklanmasına yöneliktir.

⚠ TEHLİKE

Önlenmemesi durumunda ölüm veya ciddi yaralanma ile sonuçlanacak ciddi tehlike içeren bir durumu gösterir.

⚠ UYARI

Önlenmemesi durumunda ölüm veya ciddi yaralanma ile sonuçlanabilecek potansiyel olarak tehlikeli bir durumu gösterir.

⚠ İKAZ

Önlenmemesi durumunda önemsiz veya orta derece yaralanma ile sonuçlanabilecek potansiyel olarak tehlikeli bir durumu gösterir.

İKAZ

Güvenlik uyarısı sembolü olmadığında
Maddi hasarla sonuçlanabilecek bir durumu gösterir.

EN

FR

DE

ES

IT

NL

PT

DA

SV

FI

NO

RU

PL

CS

HU

RO

LV

LT

ET

HR

SL

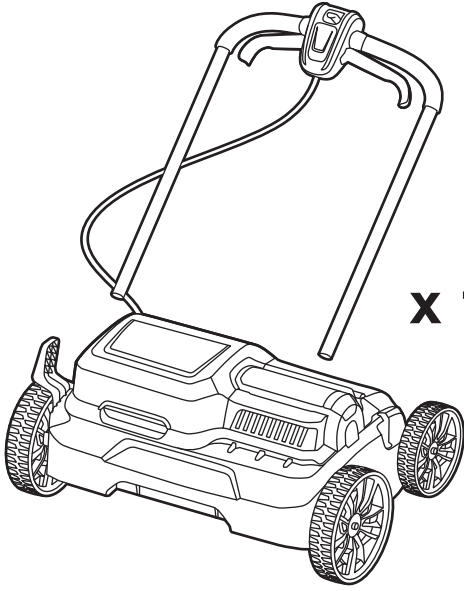
SK

BG

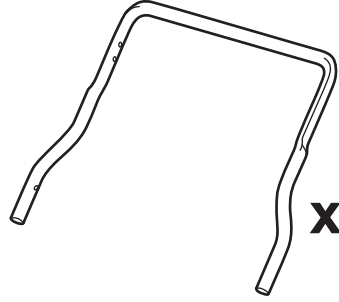
UK

TR

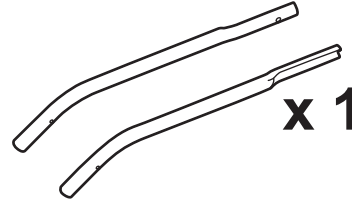
RY18SFX35A-0



x 1



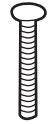
x 1



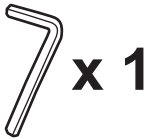
x 1



x 4



x 4



x 1



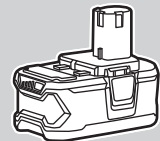
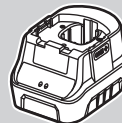
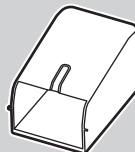
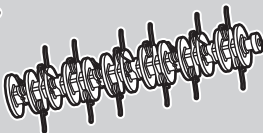
x 2



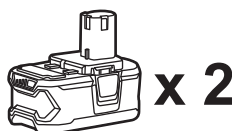
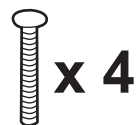
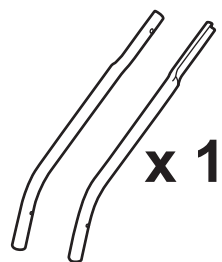
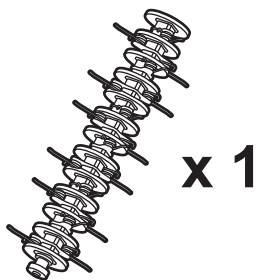
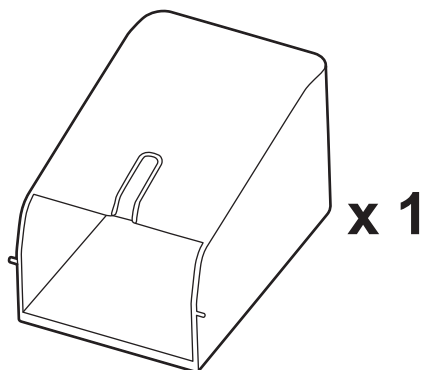
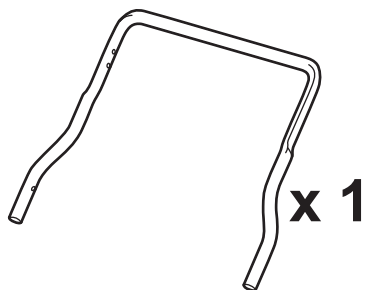
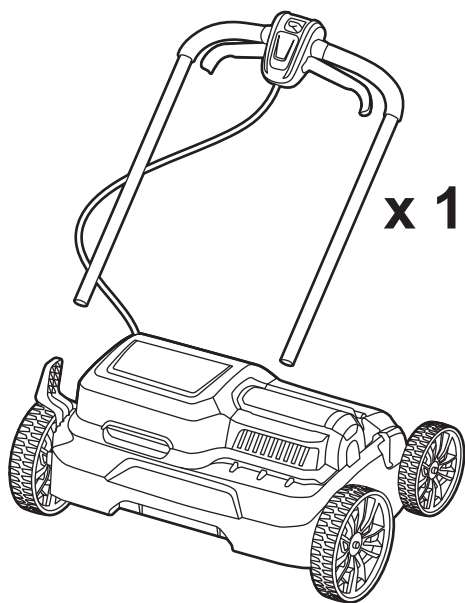
x 1

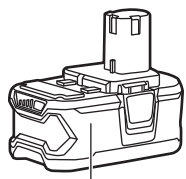
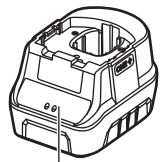
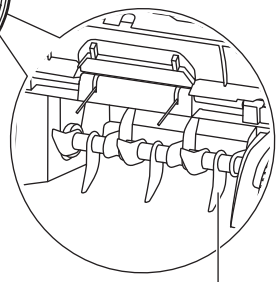
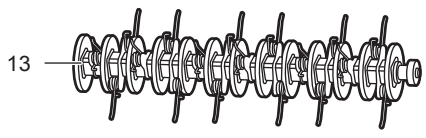
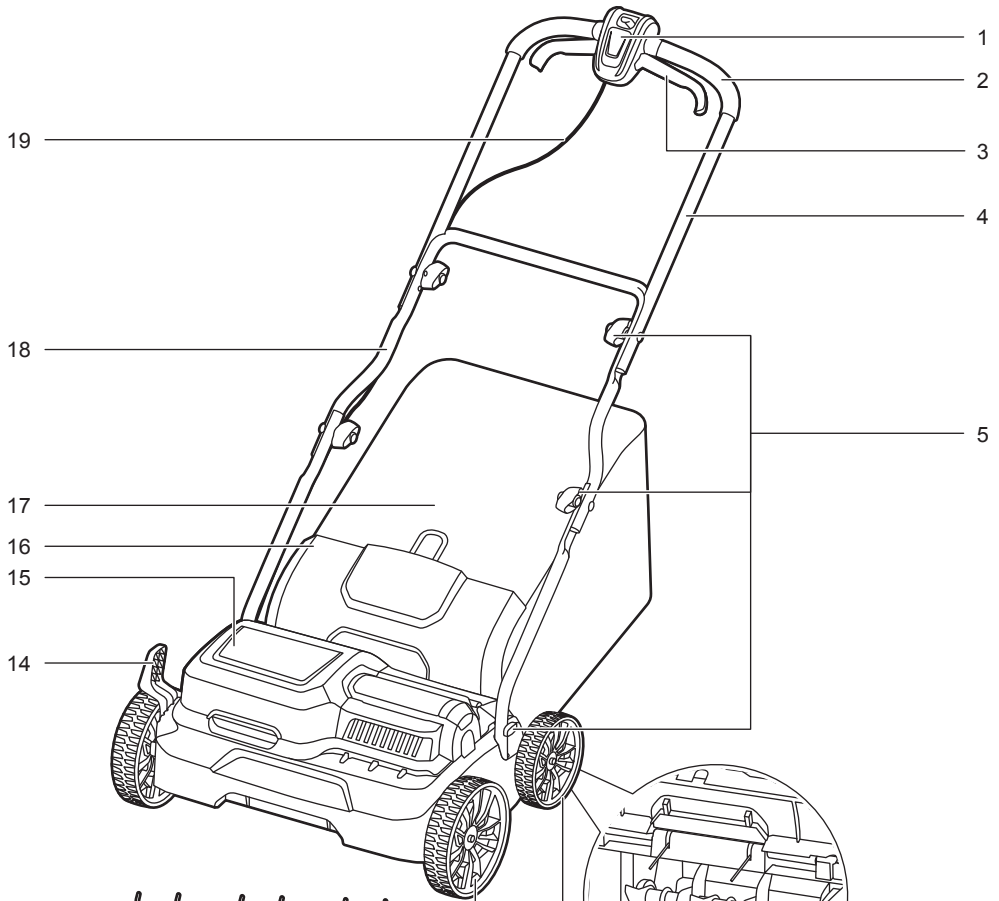


x 1



RY18SFX35A-240





12

11

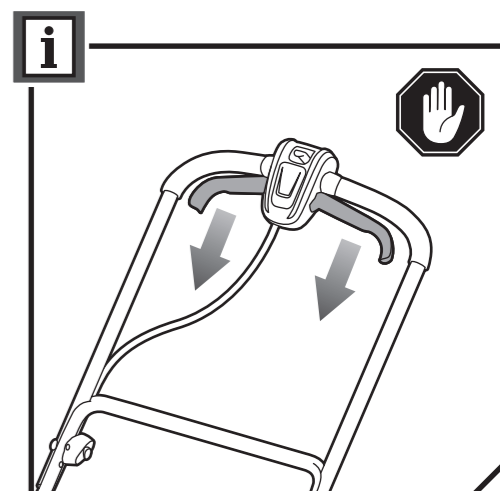
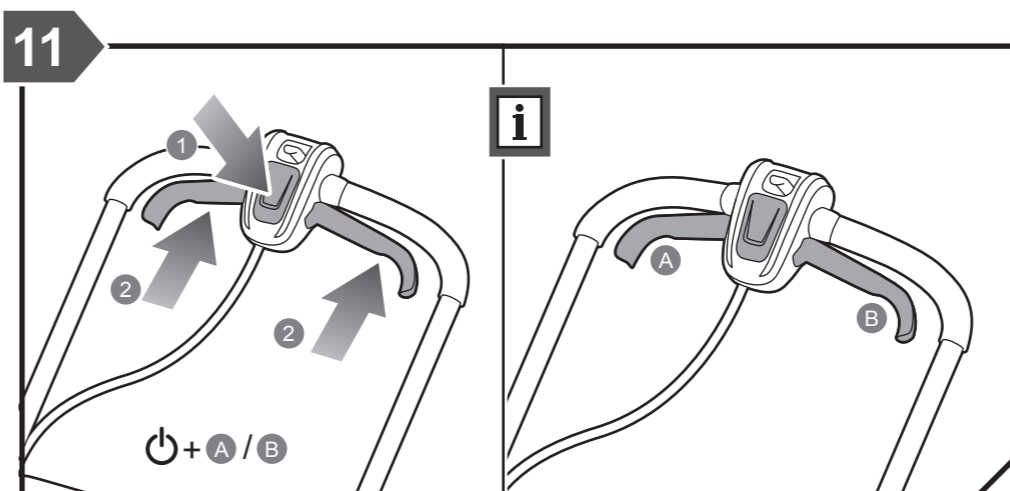
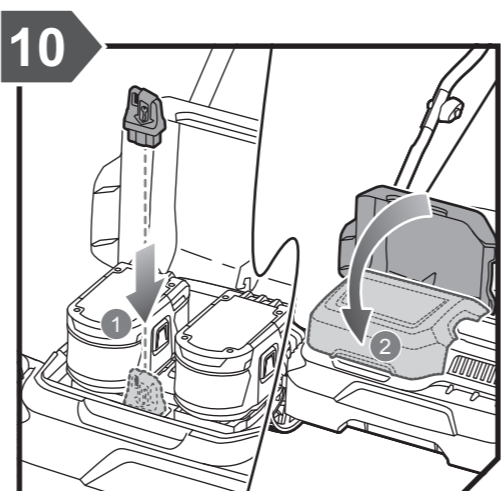
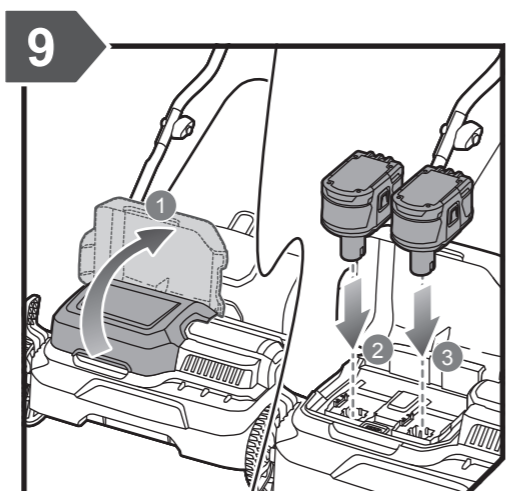
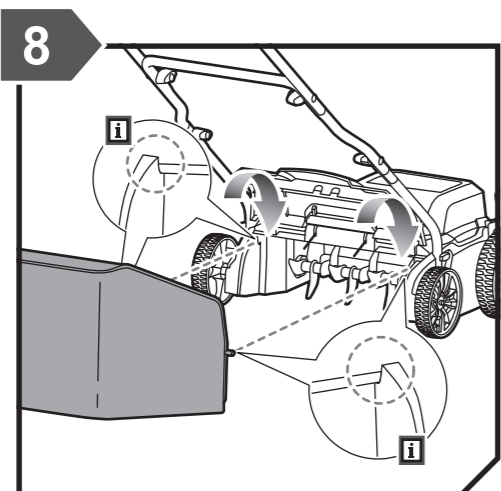
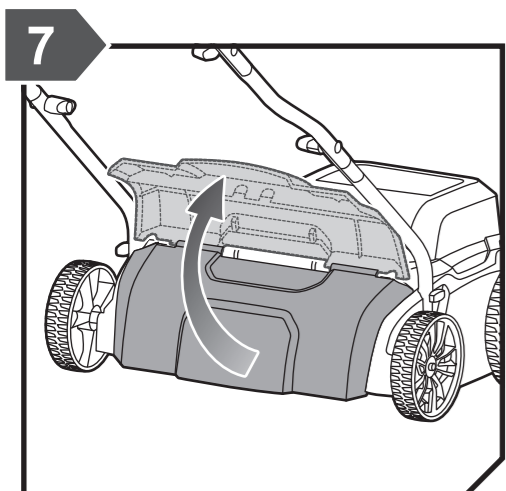
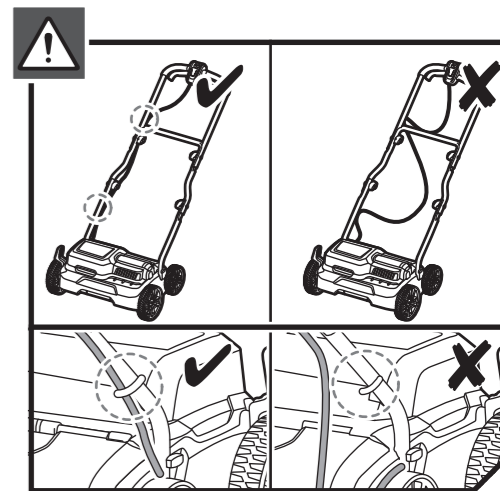
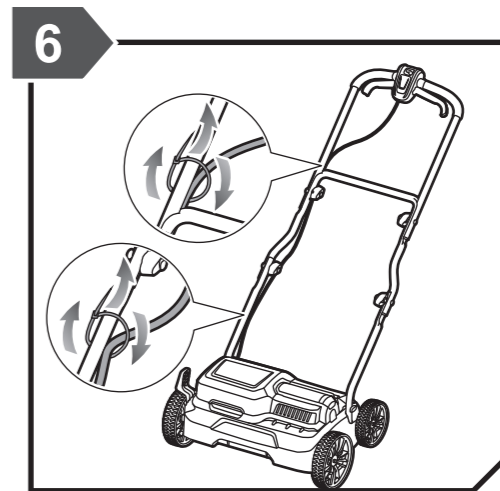
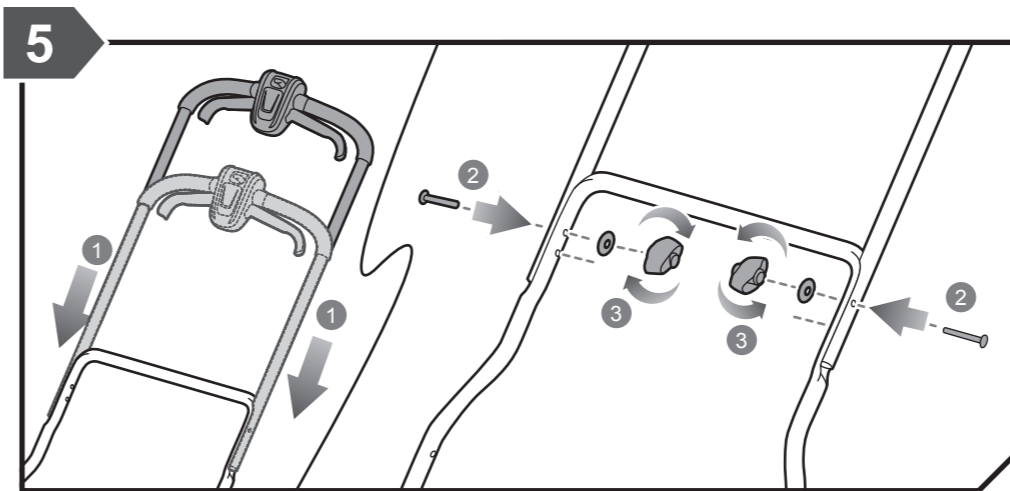
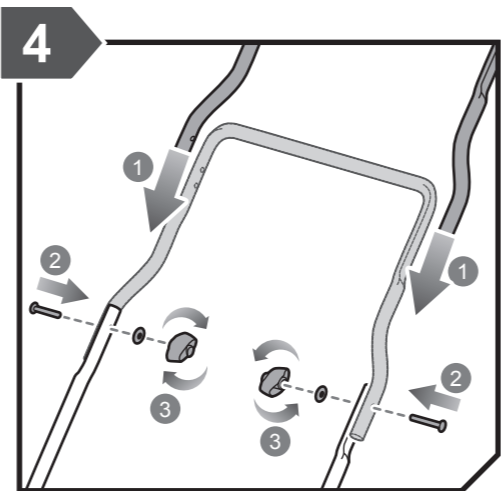
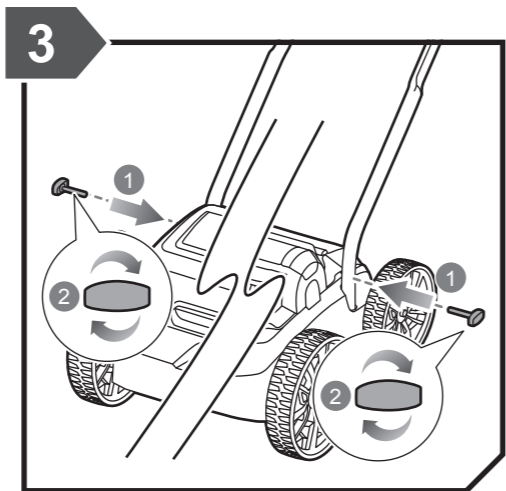
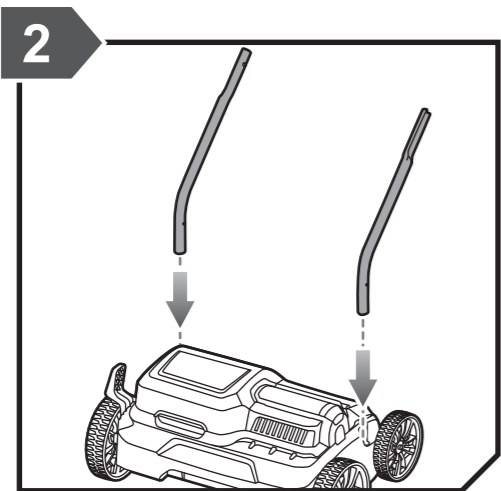
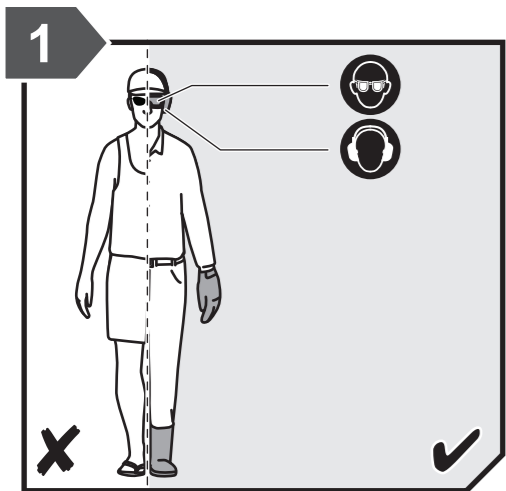
10

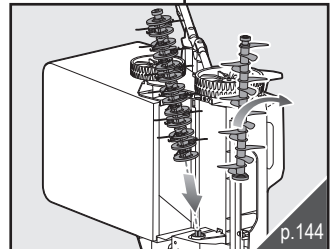
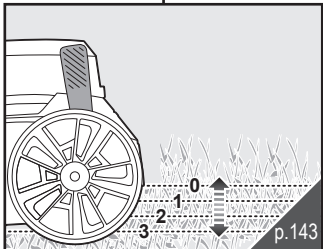
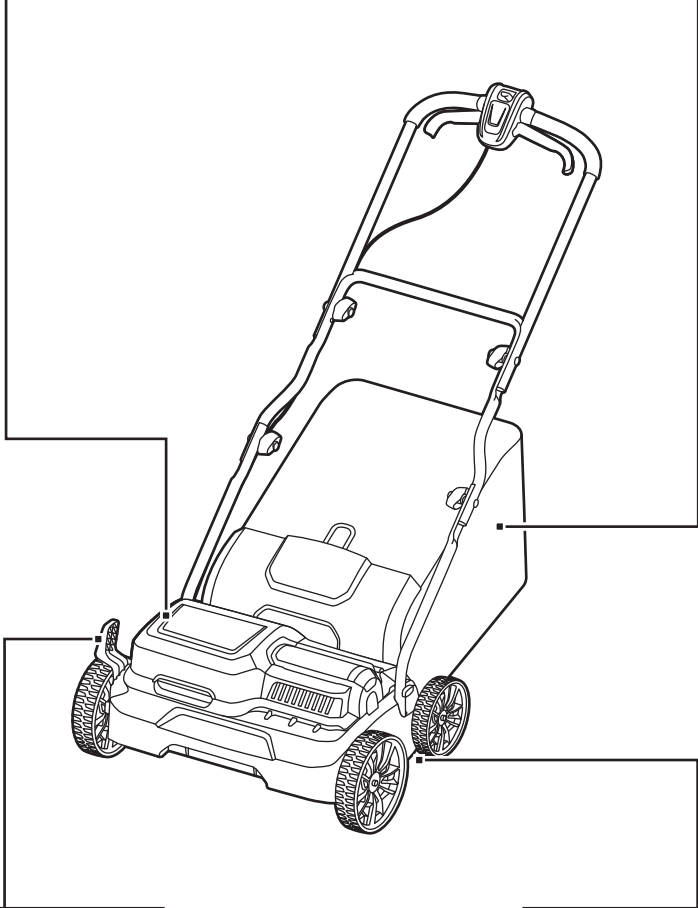
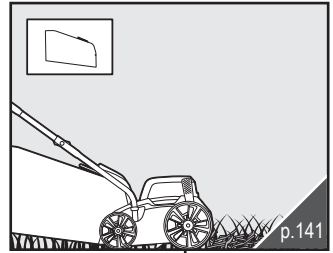
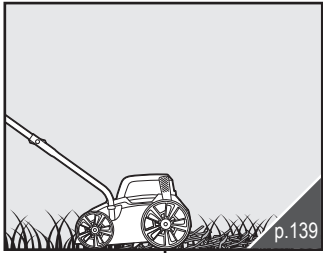
9

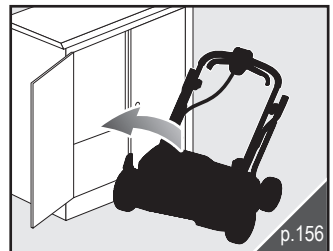
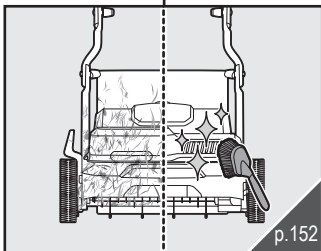
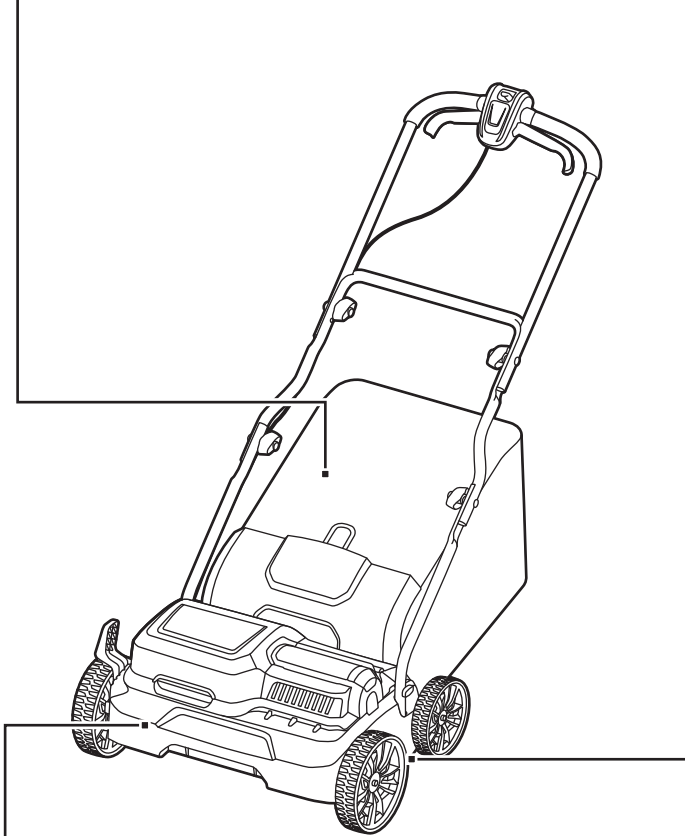
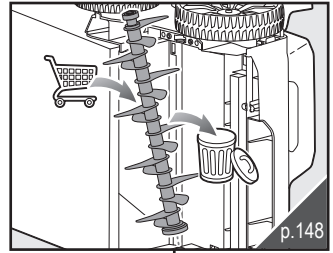
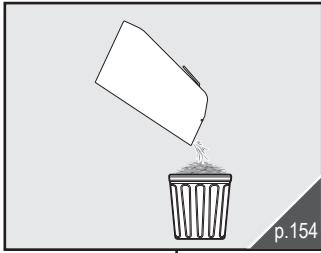
8

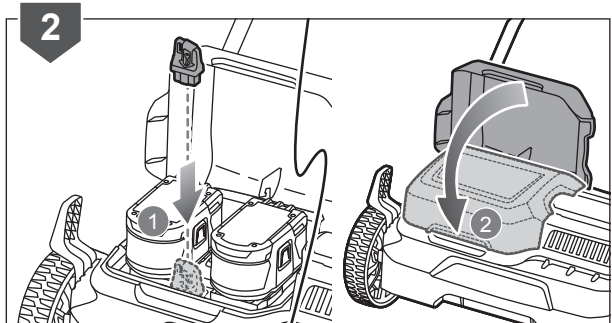
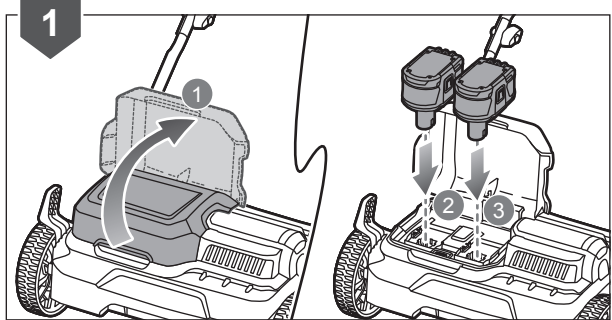
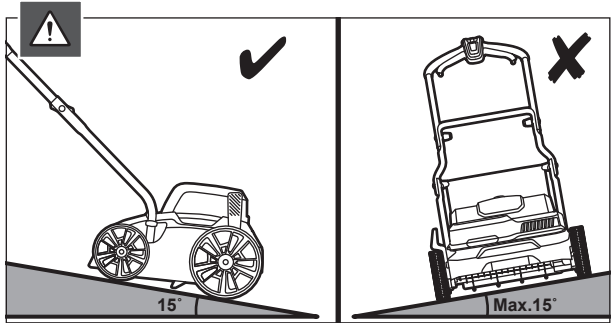
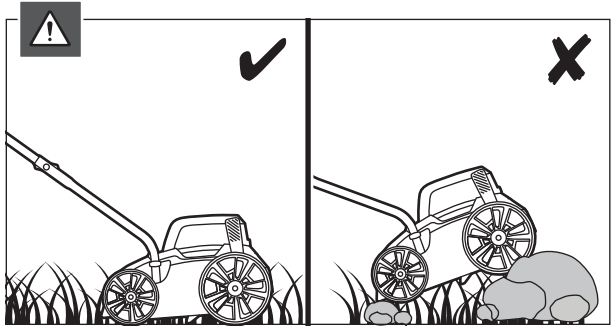
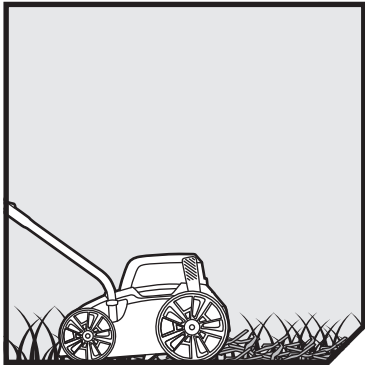
7

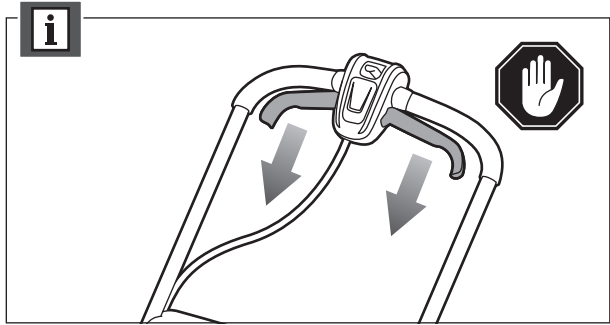
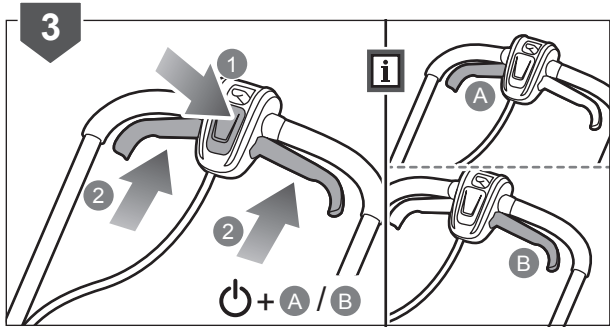
6

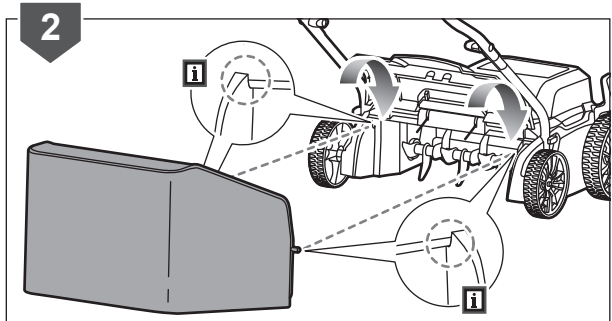
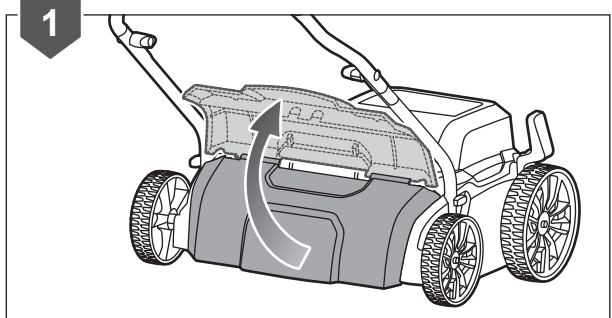
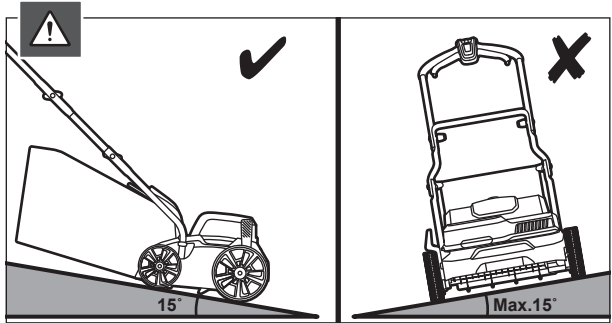
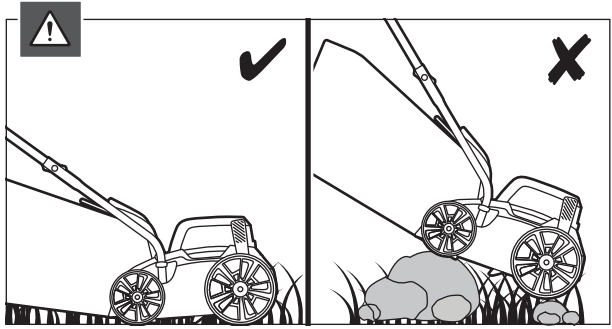
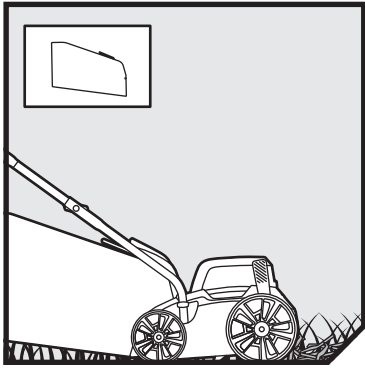


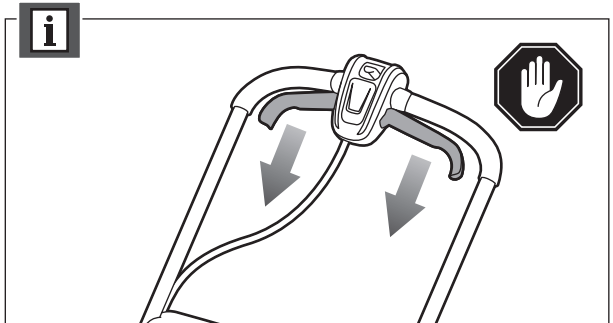
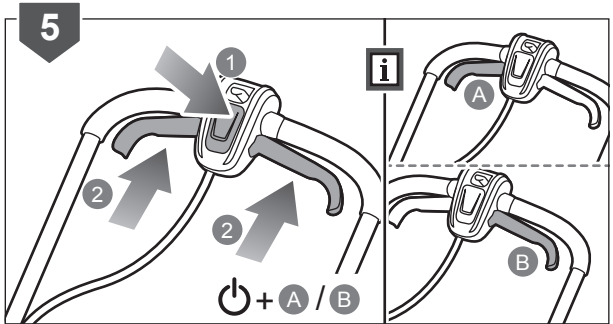
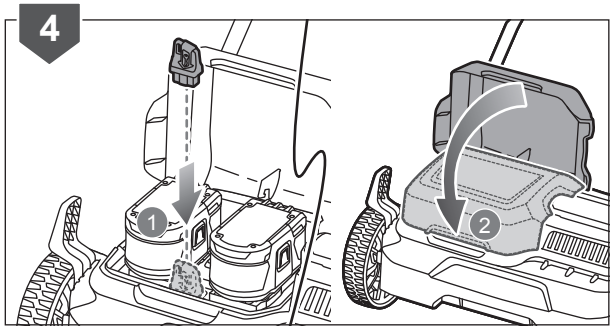
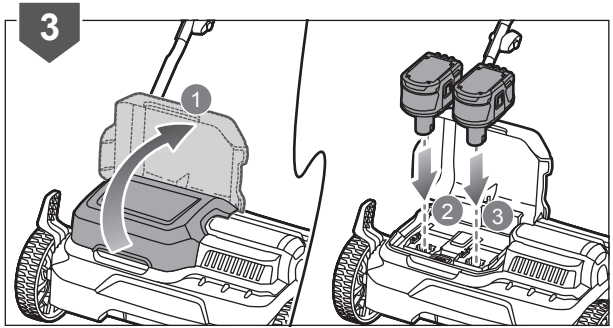


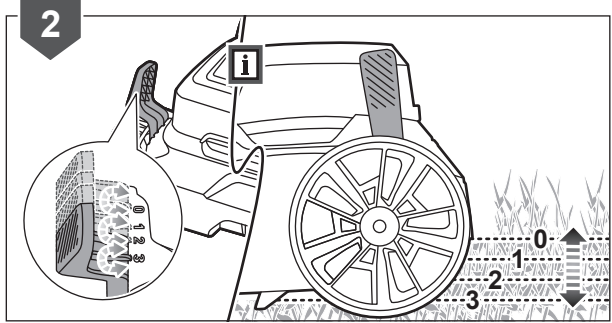
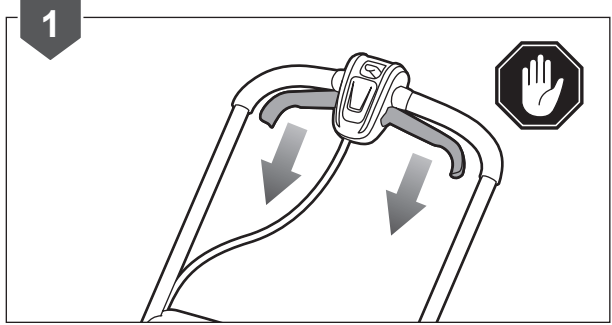
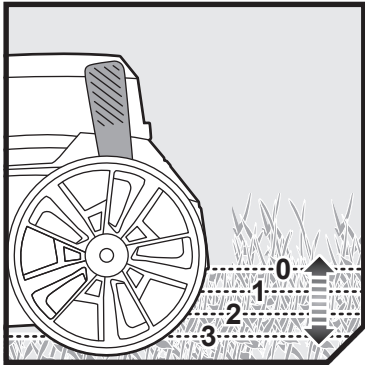


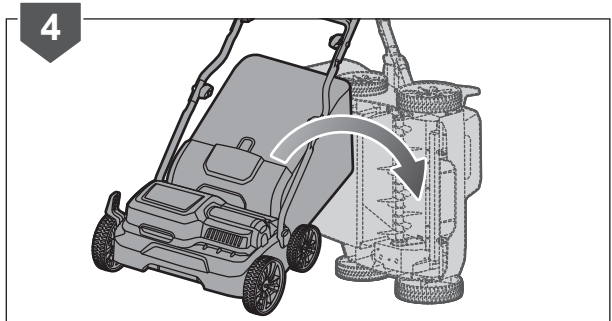
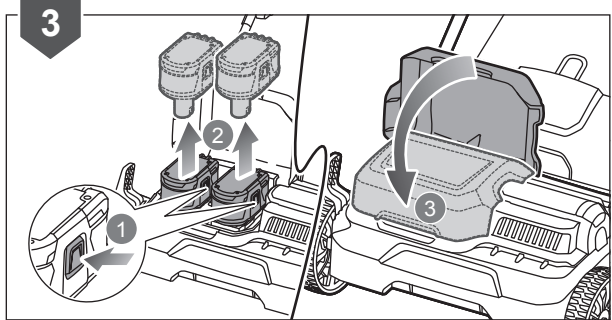
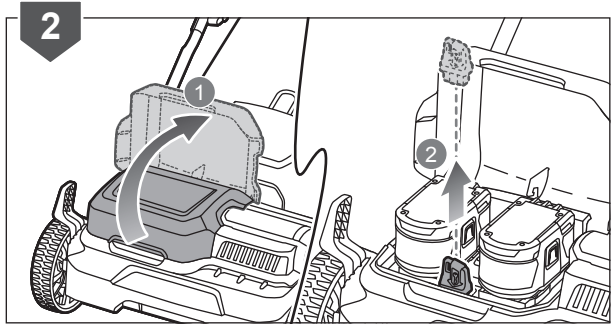
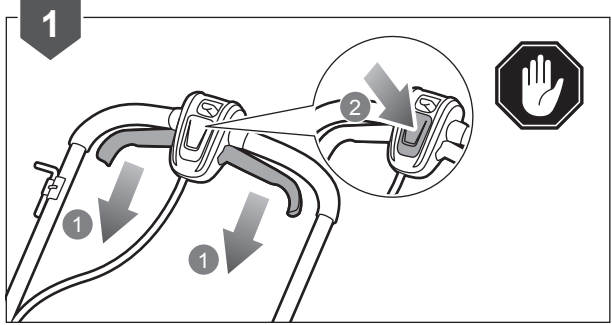
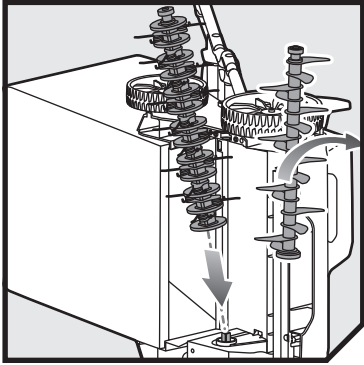


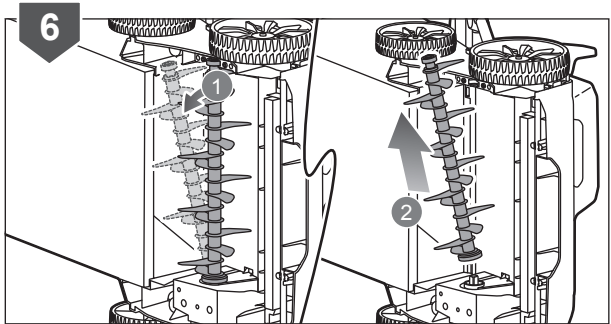
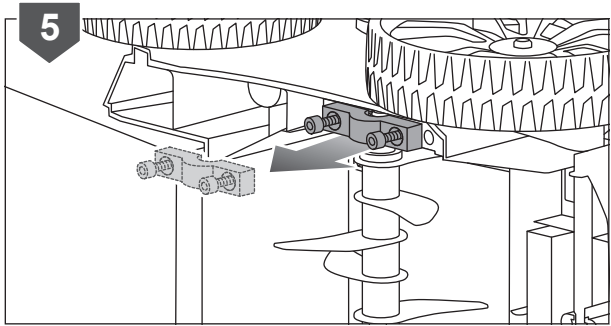
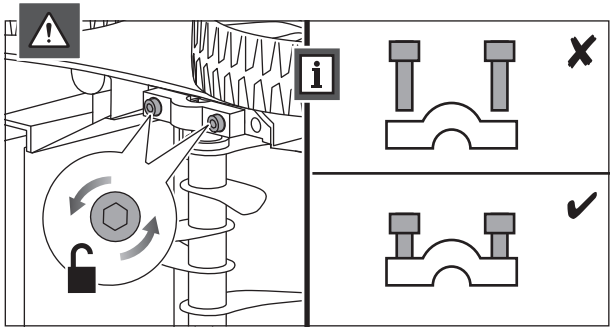
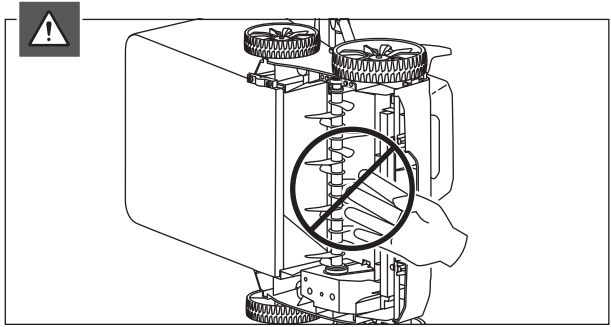


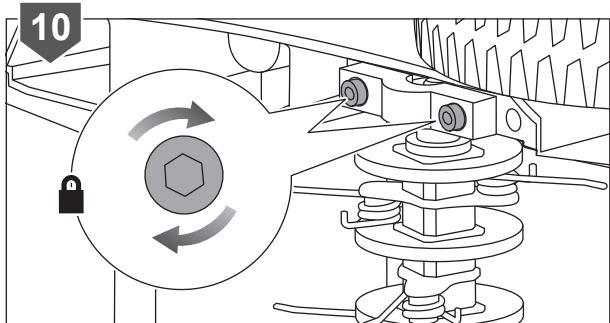
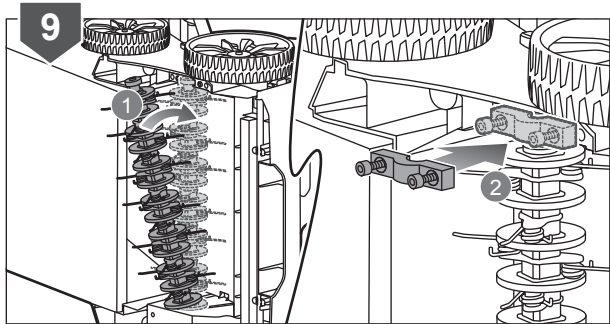
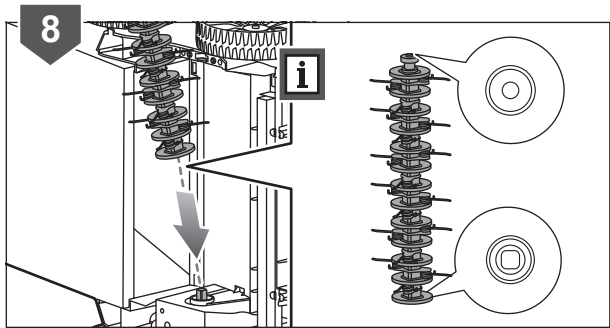
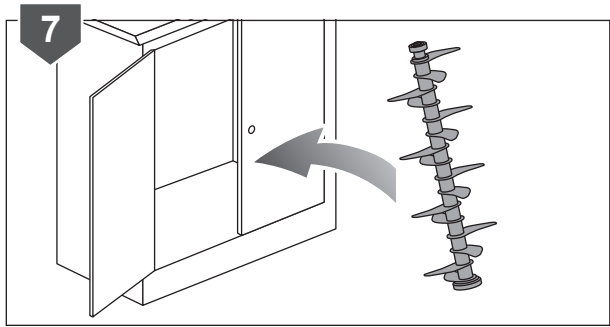


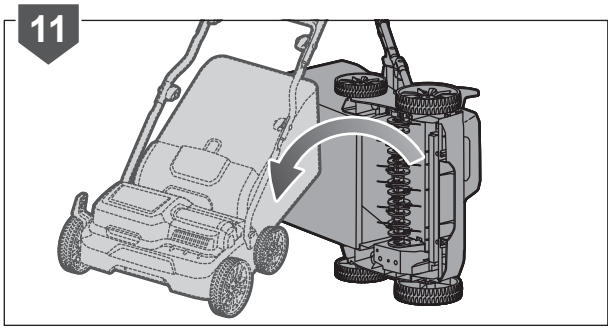


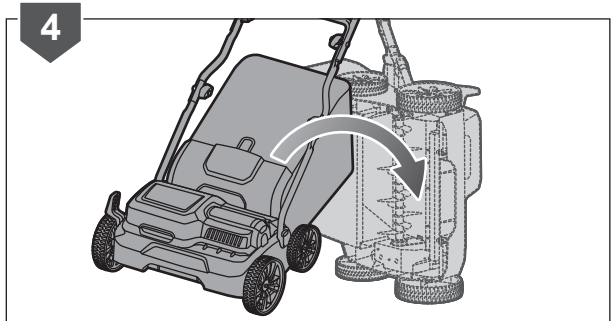
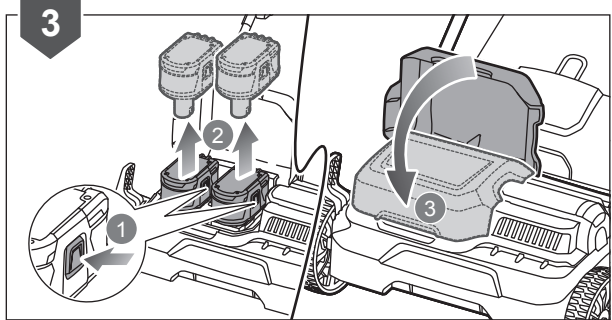
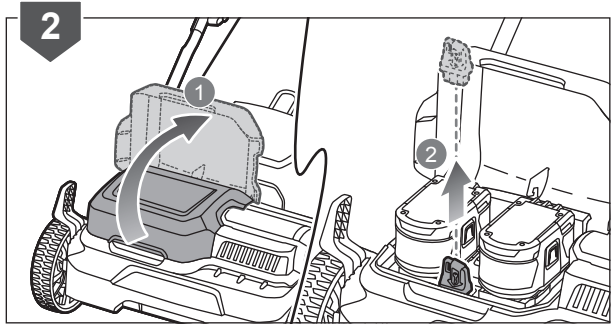
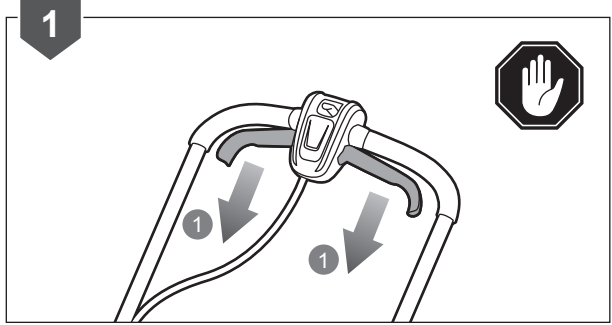
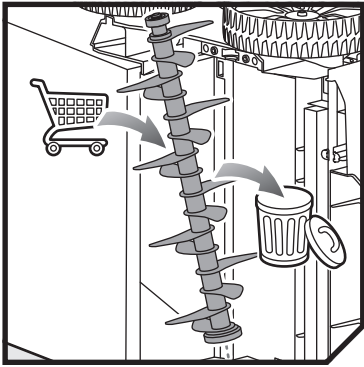


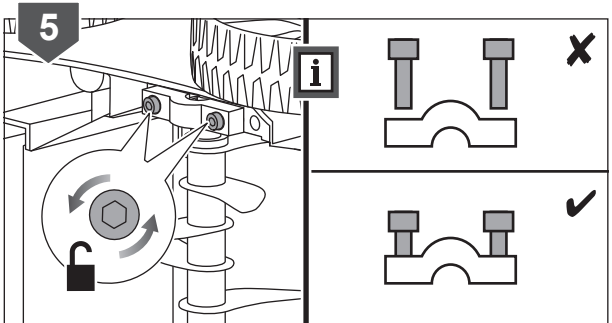
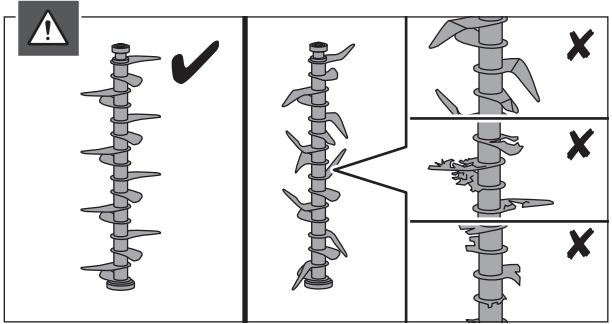
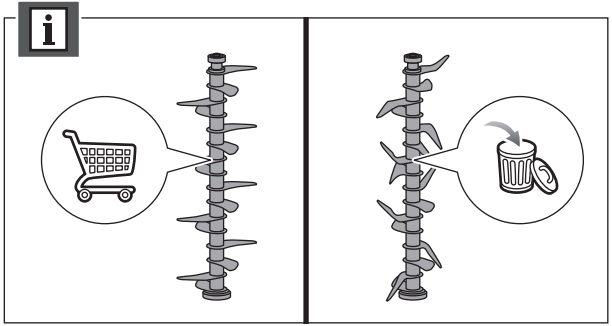
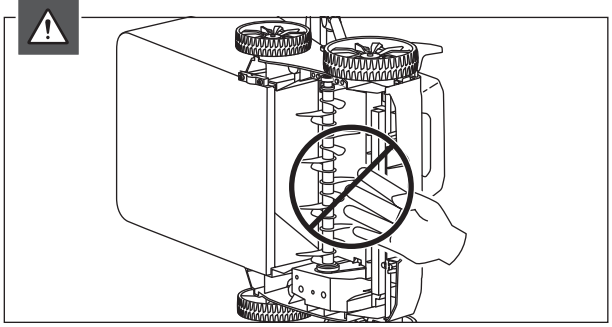


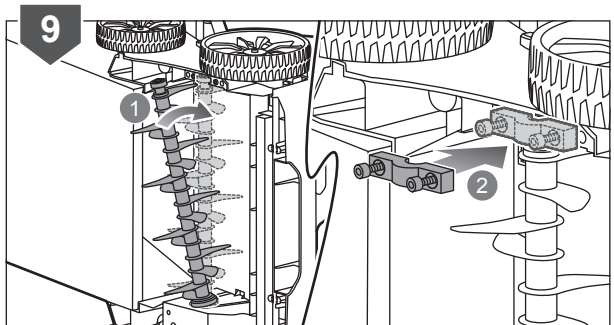
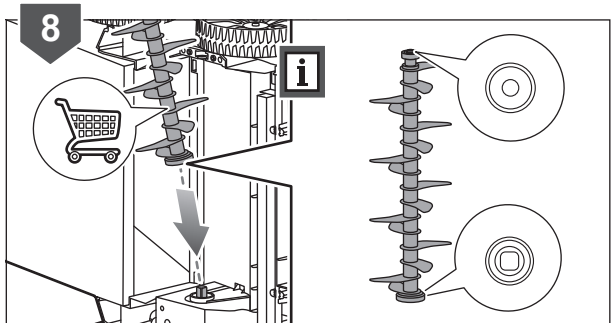
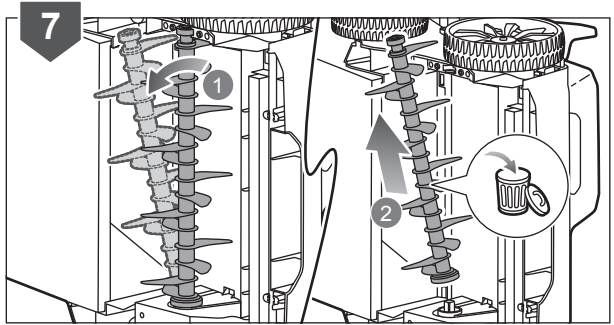
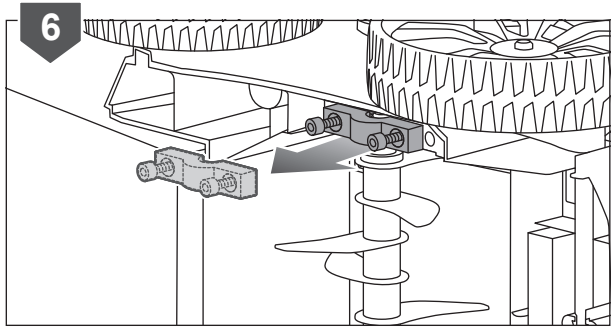


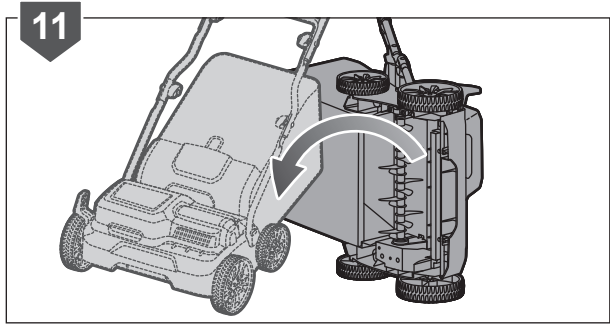
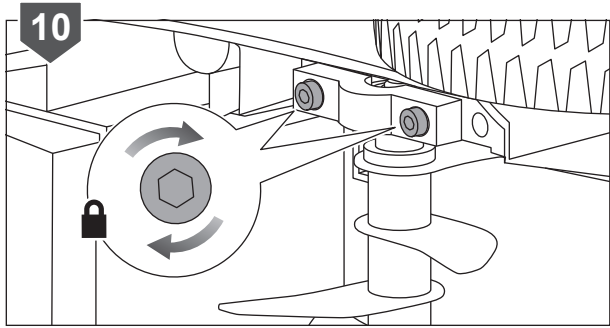


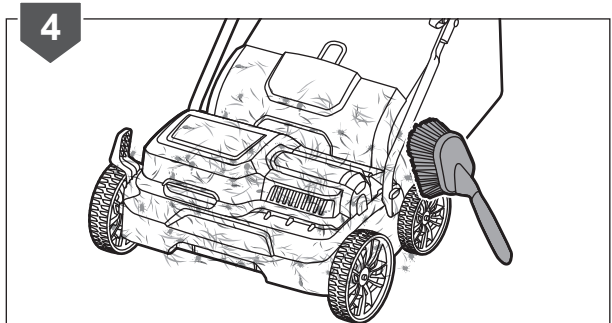
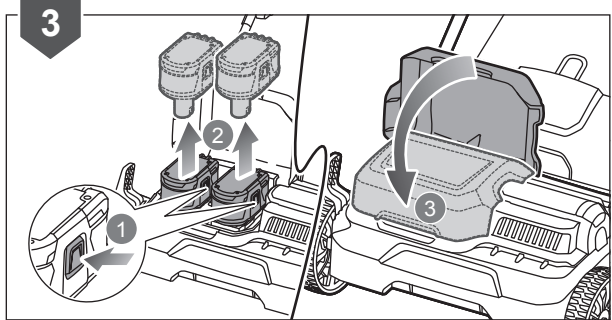
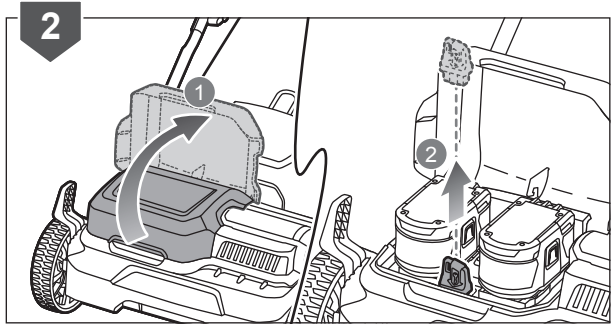
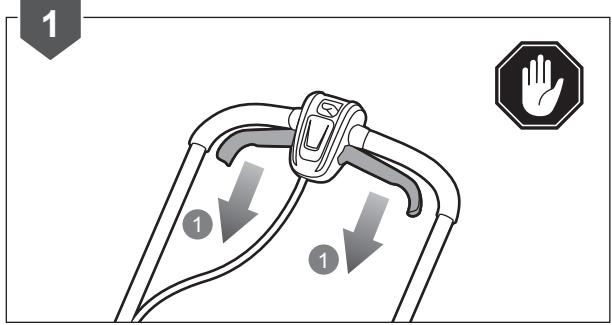
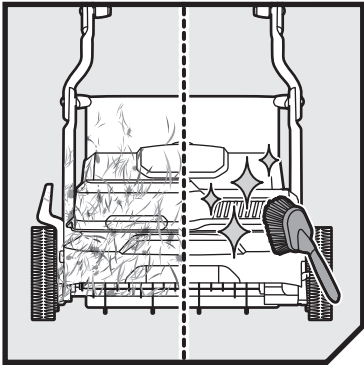


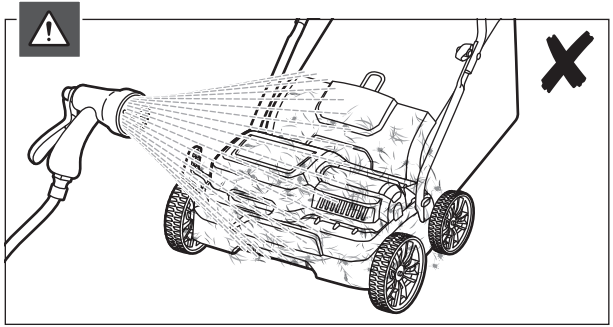


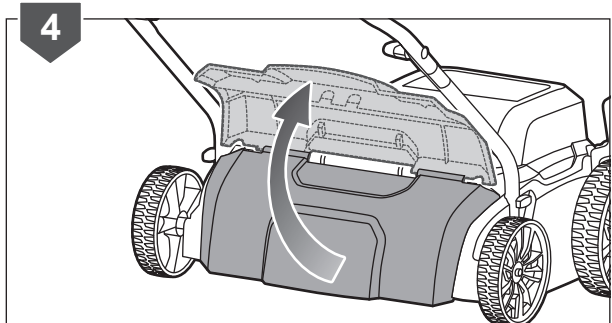
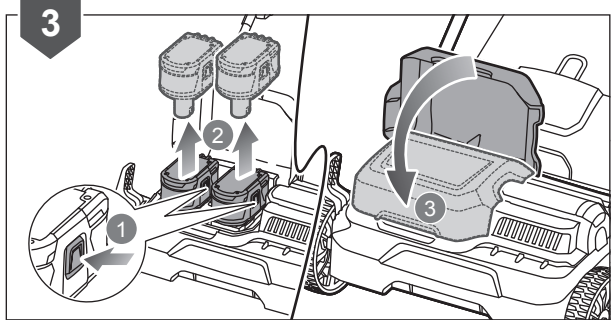
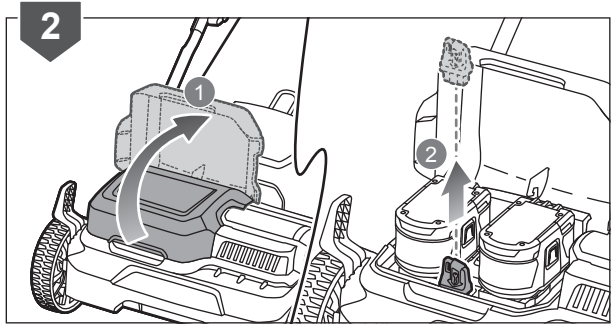
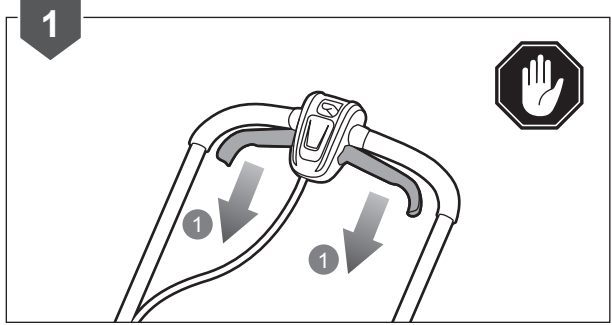
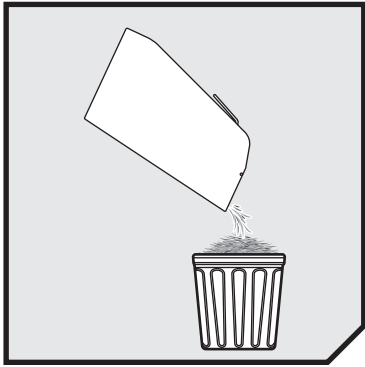


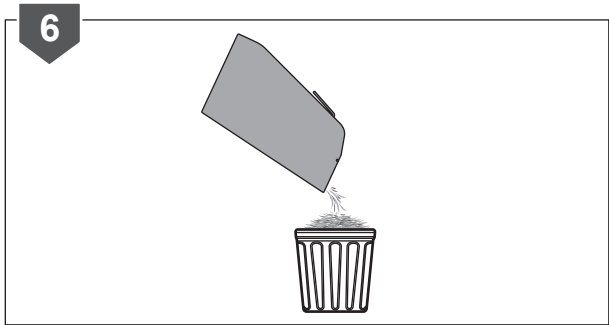
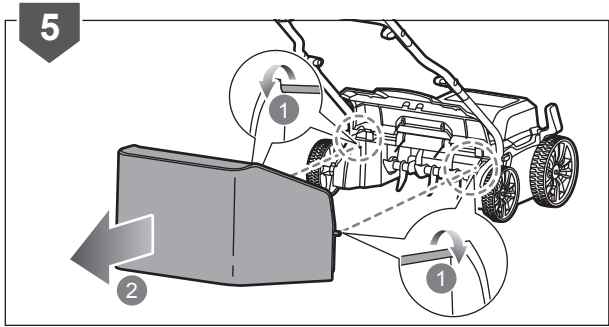


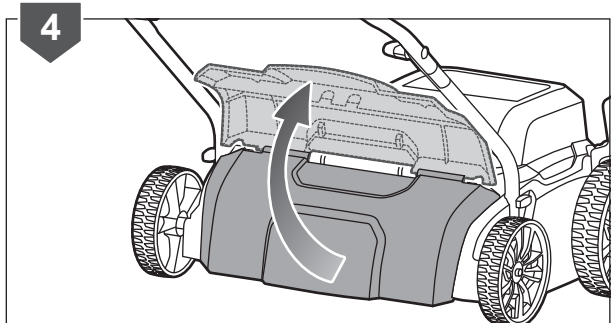
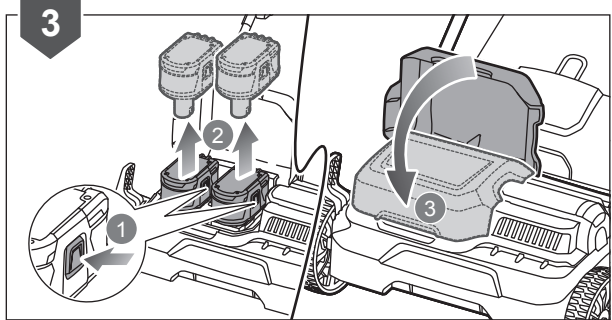
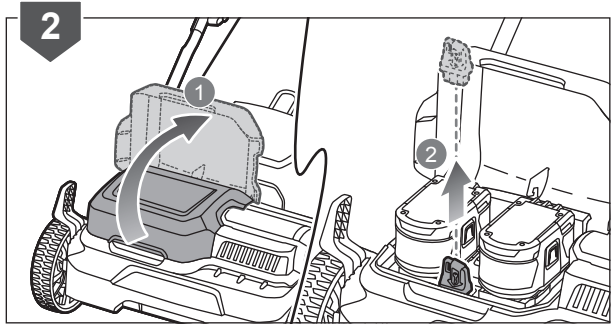
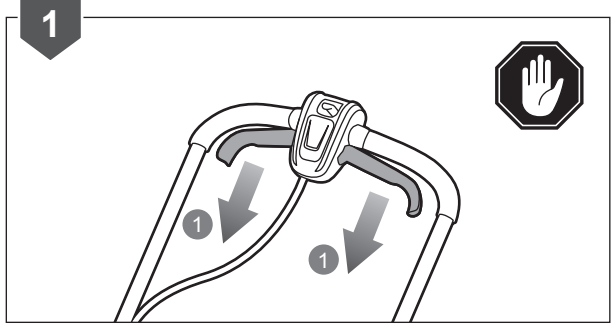
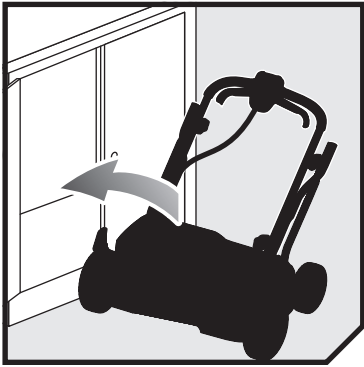


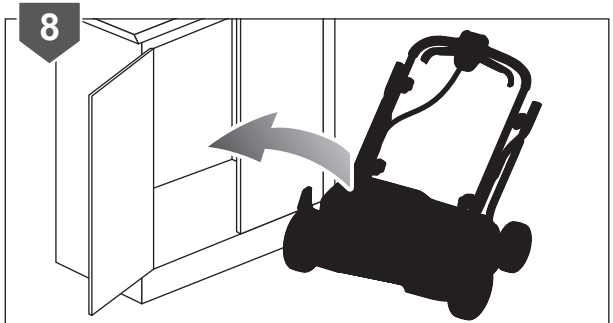
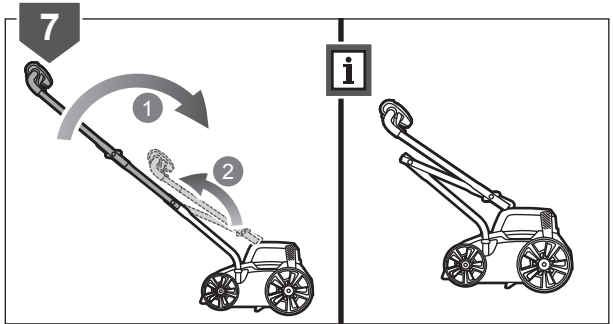
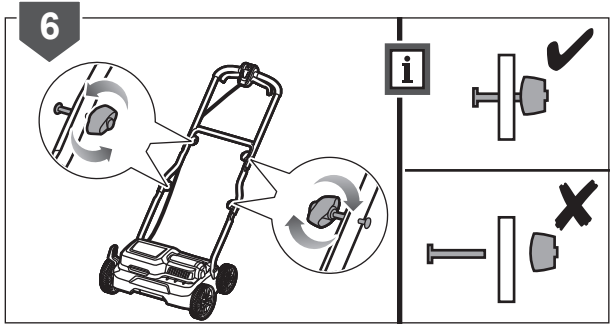
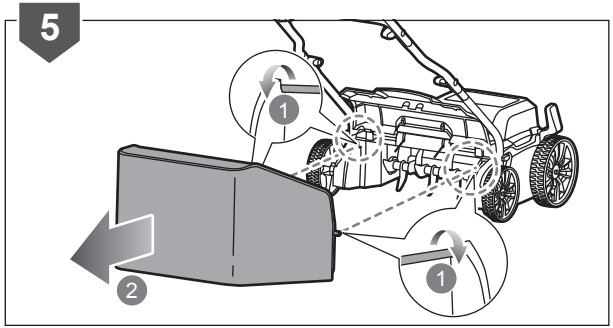














English	Français	Deutsch	Español	Italiano
Product specifications	Caractéristiques produit	Produkt-Spezifikationen	Características del producto	Caratteristiche del prodotto
Cordless Scarifier	Scarificateur sans fil	Akku-Vertikutierer	Escarificador inalámbrico	Scarificatore senza fili
Model	Modèle	Modell	Modelo	Modello
Rated voltage	Tension nominale	Nennspannung	Tensión nominal	Voltaggio nominale
Working width	Largeur de travail	Funktioniert mit	Anchura de trabajo	Larghezza di lavoro
Working heights	Hauteurs de travail	Arbeitshöhen	Alturas de trabajo	Altezze di lavoro
No-load blade speed	Vitesse de lame à vide	Messergeschwindigkeit ohne Belastung	Velocidad de la cuchilla sin carga	Velocità lama senza carico
Noise emission level (in accordance with EN 50636-2-92 Annex DD)	Niveau d'émission sonore (selon l'Annexe DD de EN 50636-2-92)	Geräuschemission (gemäß Anhang DD von EN 50636-2-92)	Nivel de emisión de ruido (de acuerdo con el Anexo DD de EN 50636-2-92)	Livello di emissione rumore (secondo quanto disposto dall'Allegato DD della Direttiva EN 50636-2-92)
L_{pA}	L_{pA}	L_{pA}	L_{pA}	L_{pA}
Uncertainty	Incertitude	Unsicherheit	Incetidumbre	Incertezza
L_{wA}	L_{wA}	L_{wA}	L_{wA}	L_{wA}
Uncertainty	Incertitude	Unsicherheit	Incetidumbre	Incertezza
Vibration level (in accordance with EN 50636-2-92 Annex CC)	Niveau de vibration (selon l'Annexe CC de EN 50636-2-92)	Vibrationsgrad (gemäß Anhang CC von EN 50636-2-92)	Nivel de vibración (de acuerdo con el Anexo CC de EN 50636-2-92)	Livello vibrazioni (secondo quanto disposto dall'Allegato CC della Direttiva EN 50636-2-92)
a_n	a_n	a_n	a_n	a_n
Uncertainty	Incertitude	Unsicherheit	Incetidumbre	Incertezza

English	Français	Deutsch	Español	Italiano
Battery and charger	Batterie et chargeur	Akku und Ladegerät	Batería y cargador	Batteria e caricatore
Model	Modèle	Modell	Modelo	Modello
Battery pack	Bloc de batterie	Akku	Batería	Batteria
Weight	Poids	Gewicht	Peso	Peso
Charger	Chargeur	Ladegerät	Cargador	Caricatore
Weight	Poids	Gewicht	Peso	Peso
Compatible battery packs	Packs batterie compatibles	Kompatible Akkus	Paquetes de batería compatibles	Gruppo batterie compatibili
Compatible chargers	Chargeur compatible	Kompatible Ladegeräte	Cargador compatible	Caricatore compatibile
Replacement parts	Pièces de Rechange	Ersatzteile	Piezas de repuesto	Parti di ricambio
Scarifier blade	Lame du scarificateur	Vertikutierermesser	Cuchilla del escarificador	Lama scarificatore
Aerator Roller	Rouleau aérateur	Rasenlüfterwalze	Rodillo del aireador	Rullo areatore
Debris Catcher	Collecteur de débris	Schmutzfänger	Colector de residuos	Contentitore detriti
NOTE: Visit your local special orders desk or contact RYOBI Customer Service for replacement parts.	REMARQUE: Pour obtenir des pièces de rechange, consulter le bureau local chargé des commandes spéciale ou le service client RYOBI.	HINWEIS: Wenden Sie sich an Ihren örtlichen Kundendienst oder kontaktieren Sie den RYOBI-Kundendienst, um Ersatzteile zu erhalten.	NOTA: Visite su servicio local de pedidos especiales o póngase en contacto con el Servicio de atención al cliente de RYOBI para obtener piezas de recambio.	NOTA: Recarsi presso il banco ordini speciali di zona oppure contattare l'assistenza clienti RYOBI per i pezzi di ricambio.





Nederlands	Português	Dansk	Svenska	
Productgegevens	Características do aparelho	Produktspecifikationer	Produktspecifikationer	
Kabelloze vericuteerder	Escarificador sem fios	Trådløs plænelufter	Sladdlös hackare	
Model	Modelo	Model	Modell	RY18SFX35A
Toegekende spanning	Tensão nominal	Mærkespænding	Spänning	18 V d.c.
Werkbreedte	Largura de trabalho	Arbejdsbredde	Arbetsbredd	350 mm
Werkhoogte	Alturas de trabalho	Arbejdshøjder	Arbetshöjder	-12mm, -8mm, -4mm, 2mm
Snelheid van het snijblad zonder belasting	Velocidade da lâmina sem carga	Bladhastighed uden belastning	Bladhastighet utan belastning	3300 rpm/min
Geluidsemissieniveau (in overeenstemming met bijlage DD van EN 50636-2-92)	Nível de emissão de ruído (em conformidade com o Anexo DD de EN 50636-2-92)	Støjemissionsniveau (iht. bilag DD til EN 50636-2-92)	Bullerutsläppsnivå (enligt Annex DD i EN 50636-2-92)	
L_{pA}	L_{pA}	L_{pA}	L_{pA}	80,5 dB(A)
Onzekerheid	Incerteza	Usikkerhed	Osäkerhet	$K = 3,0$ dB
L_{wA}	L_{wA}	L_{wA}	L_{wA}	91,3 dB(A)
Onzekerheid	Incerteza	Usikkerhed	Osäkerhet	$K = 3,8$ dB
Trillingsniveau (in overeenstemming met bijlage CC van EN 50636-2-92)	Nível de vibração (em conformidade com o Anexo CC de EN 50636-2-92)	Vibrationsniveau (iht. bilag CC til EN 50636-2-92)	Vibrationsnivå (enligt Annex CC i EN 50636-2-92)	
a_n	a_n	a_n	a_n	8,1 m/s ²
Onzekerheid	Incerteza	Usikkerhed	Osäkerhet	$K = 1,5$ m/s ²

Nederlands	Português	Dansk	Svenska		
Accu en oplader	Bateria e carregador	Batteri og oplader	Batteri och batteriladdare		
Model	Modelo	Model	Modell	RY18SFX35A-240	RY18SFX35A-0
Accu	Bateria	Batteri	Batteri	RB18L40 x 2	-
Peso	Peso	Vikt	Vægt	0,44 kg	-
Lader	Carregador	Oplader	Batteriladdare	RC18115	-
Peso	Peso	Vikt	Vægt	0,4 kg	-
Compatibele accupacks	Baterias compatíveis	Kompatible batterier	Kompatibla batteripaket	RB18L13, RB18L26, RB18L15, RB18L15A, RB18L15B, RB18L25, RB18L25A, RB18L40, RB18L40A, RB18L50, RB18L50A, RB18L20, RB18L20A, RB18L30, RB18L30A, RB18L60, RB18L60A, RB18L90, RB18L90A	
Compatibele oplader	Carregador compatível	Kompatibel oplader	Kompatibel laddare	BCS618G, BCL14181H, BCL14183H, BCL14181V, RC18150U, RC18627U, RC18120, RC18115	
Vervangonderdelen	Peças de substituição	Reserve dele	Utbytesdelar		
Vericuteersnijblad	Lâmina do escarificador	Blad til mosfjerner	Hackarens blad	5131042544	
Beluchtingsrol	Rolo do aerador	Plænelufterrulle	Luftarens rulle	5132004632	
Puinopvanger	Coletor de resíduos	Opsamler	Skråpupsamlare	5132004633	
OPMERKING: Bezoek de lokale verkoopspecialisten of neem contact op met de klantenservice van RYOBI voor vervangende onderdelen.	NOTA: Visite o seu ponto de encomendas especiais local ou contacte o Apoio ao cliente da RYOBI para obter peças de substituição.	BEMÆRK: Besøg din lokale specialbutik eller kontakt RYOBI kundeservice for reservedele.	OBS: Besök ditt lokala kontor för specialbeställningar eller kontakta RYOBI-kundeservice för reservdelar.		





Suomi	Norsk	Русский	Polski	Čeština
Tuotteen tekniset tiedot	Produktspesifikasjoner	Характеристики изделия	Parametry techniczne	Technické údaje produktu
Akkukäyttöinen nurmikonelevytin	Trådløs harve	Беспроводной скарификатор	Wertykulator akumulatorowy	Akumulátorový rozryvač
Malli	Modell	Модель	Model	Model
Nimellisjännite	Nominell spenning	Номинальное напряжение	Napięcie znamionowe	Jmenovité napětí
Työskentelyleveys	Arbeidsbredde	Рабочая ширина	Szerokość robocza	Šířka záběru
Työskentelykorkeudet	Arbeidshøyder	Рабочая высота	Wysokości robocze	Provozní výšky
Terän nopeus ilman kuormitusta	Bladhastighet uten belastning	Скорость вращения лезвия без нагрузки	Prędkość obrotu noży bez obciążenia	Otáčky nožů bez zatížení
Melutaso (standardin EN 50636-2-92 liitteen DD mukaisesti)	Støyutslipnivå (iht. tillegg DD i EN 50636-2-92)	Уровень шума (в соответствии с Приложением DD стандарта EN 50636-2-92)	Poziom emisji hałasu (zgodnie z aneksem DD normy EN 50636-2-92)	Hladina emise hluku (v souladu s přílohou DD normy EN 50636-2-92)
L_{pA}	L_{pA}	L_{pA}	L_{pA}	L_{pA}
Epätarkkuus	Usikkerhet	Погрешность	Niepewność pomiaru	Nejistota
L_{wA}	L_{wA}	L_{wA}	L_{wA}	L_{wA}
Epätarkkuus	Usikkerhet	Погрешность	Niepewność pomiaru	Nejistota
Tärinätaso (standardin EN 50636-2-92 liitteen CC mukaisesti)	Vibrasjonsnivå (iht. tillegg CC i EN 50636-2-92)	Уровень вибрации (в соответствии с Приложением CC стандарта EN 50636-2-92)	Poziom wibracji (zgodnie z aneksem CC normy EN 50636-2-92)	Úroveň vibrací (v souladu s přílohou CC normy EN 50636-2-92)
a_n	a_n	a_n	a_n	a_n
Epätarkkuus	Usikkerhet	Погрешность	Niepewność pomiaru	Nejistota

Suomi	Norsk	Русский	Polski	Čeština
Akku ja laturi	Batteri og lader	Аккумуляторная батарея и зарядное устройство	Akumulator i ładowarka	Nabiječka a baterie
Malli	Modell	Модель	Model	Model
Akku	Batteri	Аккумулятор	Akumulator	Baterie
Vekt	Paino	Вес	Greutate	Waga
Laturi	Lader	Зарядное устройство	Ładowarka	Nabiječka
Vekt	Paino	Вес	Greutate	Waga
Yhteensopivat akut	Kompatible batteripakker	Совместимая аккумуляторная батарея	Pasujące akumulatory	Kompatibilní akumulátory
Yhteensopiva laturi	Kompatibel lader	Совместимое зарядное устройство	Zgodna ładowarka	Kompatibilní nabiječka
Varaosat	Erstatningsdeler	Запасные части	Części zamienne	Náhradní díly
Nurmikonelevytimen terä	Harveblad	Лезвие для скарификации	Szpikelec do aeraacji	Rozryvačí nože
Ilmaajan tela	Luftervals	Аэрационный валик	Walek do aeraacji	Válec provzdušňovače
Silpunkeräin	Avfallssamler	Мусороуловитель	Kosz na odpadki	Sběrný koš
HUOMAUTUS: Kun tarvitset varaosia, käy paikallisissa toimipisteissä tai ota yhteyttä RYOBI-asiakaspalveluun.	MERK: Besøk den lokale spesialbestillingskranken eller ta kontakt med RYOBI kundeservice for reservedeler.	ПРИМЕЧАНИЕ: Для приобретения запасных деталей обращайтесь в региональную службу специальных заказов или в клиентскую службу RYOBI.	UWAGA: W celu uzyskania części zamiennych należy odwiedzić lokalny dział zamówień specjalnych lub skontaktować się z Działem Obsługi Klienta firmy RYOBI.	POZNÁMKA: Náhradní díly objednávejte přes místního dodavatele nebo se obraťte na oddělení zákaznických služeb RYOBI.





Magyar	Română	Latviski	
Termék műszaki adatai	Specificațiile produsului	Produkta specifikācijas	
Akkumulátoros talajlazító	Sapă de mică adâncime fără fir	Akumulatoru skarifikators	
Típus	Model	Modelis	RY18SFX35A
Névleges feszültség	Tensiunea nominală	Nominālais spriegums	18 V d.c.
Munkaszélesség	Lățime de lucru	Darba platums	350 mm
Munkamagasság	Cote de lucru	Darba augstumi	-12mm, -8mm, -4mm, 2mm
Terhelés nélküli penge sebessége	Viteza de rotație a lamei fără sarcină	Asmens ātrums bez slodzes	3300 rpm/min
Hangkibocsátási szint (az EN 50636-2-92 DD függeléke szerint)	Nivel emisie zgomot (în conformitate cu Anexa DD a EN 50636-2-92)	Trokšņu emisijas līmenis (saskaņā ar direktīvas EN 50636-2-92 DD pielikumu)	
L_{pA}	L_{pA}	L_{pA}	80,5 dB(A)
Bizonytalanság	Incertitudine	Nenoteiktība	$K = 3,0$ dB
L_{wA}	L_{wA}	L_{wA}	91,3 dB(A)
Bizonytalanság	Incertitudine	Nenoteiktība	$K = 3,8$ dB
Vibrációs szint (az EN 50636-2-92 CC függeléke szerint)	Nivel de vibrație (în conformitate cu Anexa CC a EN 50636-2-92)	Vibrācijas līmenis (saskaņā ar direktīvas EN 50636-2-92 CC pielikumu)	
a_h	a_h	a_h	8,1 m/s ²
Bizonytalanság	Incertitudine	Nenoteiktība	$K = 1,5$ m/s ²



Magyar	Română	Latviski		
Akkumulátor és töltő	Bateria și încărcătorul	Akumulators un lādētājs		
Típus	Model	Modelis	RY18SFX35A-240	RY18SFX35A-0
Akkumulátor	Acumulator	Akumulators	RB18L40 x 2	-
Bec	Tömeg	Tēža	0,44 kg	-
Töltő	Încărcător	Lādētājs	RC18115	-
Bec	Tömeg	Tēža	0,4 kg	-
Kompatibilis akkumulátorok	Acumulatori compatibili	Savietojami akumulatoru komplekti	RB18L13, RB18L26, RB18L15, RB18L15A, RB18L15B, RB18L25, RB18L25A, RB18L40, RB18L40A, RB18L50, RB18L50A, RB18L20, RB18L20A, RB18L30, RB18L30A, RB18L60, RB18L60A, RB18L90, RB18L90A	
Kompatibilis töltő	Încărcător compatibil	Saderīgs lādētājs	BCS618G, BCL14181H, BCL14183H, BCL14181V, RC18150U, RC18627U, RC18120, RC18115	
Cserealkatrészek	Piese de schimb	Rezerves daļas		
Talajlazító penge	Lama sapei de adâncime mică	Skarifikatora asmens	5131042544	
Gyepszellőztető görgő	Rolă aerator	Aeratora rullītis	5132004632	
Szennyeződésgyűjtő	Colector de deșeuri	Gružu uztvērējs	5132004633	
MEGJEGYZÉS: Cserealkatrészekért látogassa meg a helyi különleges rendelések pultot vagy lépjen kapcsolatba a RYOBI ügyfélszolgálatával.	NOTĂ: Vizitaji reprezentanța dvs. locală de vânzări sau contactași Serviciul Asistență Clienti RYOBI pentru piese de schimb.	PIEZĪME: Rezerves daļas meklējiet jūsu vietējā īpašo pasūtījumu centrā vai sazinieties ar RYOBI Klientu apkalpošanas dienestu.		





Lietuviškai	Eesti	Hrvatski	Slovensko	Slovenčina
Gaminio techninės savybės	Toote tehnilised andmed	Specifikacije proizvoda	Specifikacije izdelka	Špecifikácie produktu
Akumulatorinis parentuvas	Juhtmeta murukobestaja	Akumulatorska grebalica	Brezžična brana	Akumulátorový prevzdušňovač
Modelis	Mudel	Model	Model	Modelis
Nominali įtampa	Nimipinge	Nazivni napon	Nazivna napetost	Menovité napätie
Darbinis plotis	Töölaius	Radna širina	Delovna širina	Pracovná šírka
Darbinis aukštis	Töökõrgused	Radne visine	Delovne višine	Pracovná výška
Peilio sukimosi greitis be apkrovos	Tera töökõirius koormuse puudumisel	Brzina oštrice bez opterećenja	Hitrost neobremenjenih rezil	Voľnožečná rýchlosť čepele
Skleidžiamo triukšmo lygis (pagal EN 50636-2-92 standarto DD priedą)	Vibratsioinitase (vastavalt standardi EN 50636-2-92 lisale DD)	Razina emisija buke (u skladu s Dodatkom DD EN 50636-2-92)	Raven emisij hrupa (v skladu z dodatkom DD standarda EN 50636-2-92)	Úroveň emisii hluku (v súlade s Dodatkom DD v EN 50636-2-92)
L_{pA}	L_{pA}	L_{pA}	L_{pA}	L_{pA}
Nepastovumas	Määramatus	Neodređenost	Negotovost	Neurčitost'
L_{wA}	L_{wA}	L_{wA}	L_{wA}	L_{wA}
Nepastovumas	Määramatus	Neodređenost	Negotovost	Neurčitost'
Vibracijos lygis (pagal EN 50636-2-92 standarto CC priedą)	Vibratsioinitase (vastavalt standardi EN 50636-2-92 lisale CC)	Razina vibracija (u skladu s Dodatkom CC EN 50636-2-92)	Nivo vibracij (v skladu z dodatkom CC standarda EN 50636-2-92)	Úroveň vibrácií (v súlade s Dodatkom CC v EN 50636-2-92)
a_h	a_h	a_h	a_h	a_h
Nepastovumas	Määramatus	Neodređenost	Negotovost	Neurčitost'

Lietuviškai	Eesti	Hrvatski	Slovensko	Slovenčina
Akumulatorius ir įkroviklis	Aku ja laadija	Baterija i punjač	Baterija in polnilnik	Akumulátor a nabijačka
Modelis	Mudel	Model	Model	Modelis
Baterija	Aku paketiga	Baterija	Akumulator	Batéria
Težina	Mass	Masé	Svars	Hmotnosť
Įkroviklis	Laadija	Punjač	Polnilec	Nabijačka
Težina	Mass	Masé	Svars	Hmotnosť
Suderinami baterijos paketai	Ūhilduvad akupaketid	Kompatibilna pakiranja baterija	Zdrūžljive baterije	Kompatibilné jednotky akumulátorov
Suderinamas įkroviklis	Ūhilduv laadija	Kompatibilni punjači	Zdrūžljiv polnilec	Kompatibilná nabijačka
Atsarginės detalės	Asendusosad	Zamjena dijelova	Nadomestni deli	Náhradné diely
Parentuvo peilis	Kobestaja tera	Oštrice grebalice	Rezilo brane	Prevzdušňovacia čepeľ
Aeratoriaus volas	Ūhutaja rullik	Valjak prozračivača travnjaka	Kolo aeratorja	Valček aerátora
Šiuokšlių gaudyklė	Prahikoguja	Hvatač otpadaka	Lovilec drobirja	Lapač úlomkov
PASTABA: Jei prireiktų keičiamųjų dalių, nuvykite į vietos specialiujų užsakymų biurą arba kreipkitės į RYOBI klientų aptarnavimo tarnybą.	MÄRKUS. Varuosade tellimiseks pöörduge kohaliku tellimispunkti poole või võtke ühendust RYOBI klienditeenindusega.	NAPOMENA: Posjetite vaš lokalni ured za posebne narudžbe ili kontaktirajte RYOBI korisničku službu za zamjenske dijelove.	OPOMBA: Za nadomestne dele se obrnite na lokalno poslovalnico za posebna naročila ali službo za storitve za stranke RYOBI.	POZNÁMKA: Ak potrebujete náhradné diely, navštívte miestne oddelenie pre špeciálne objednávky alebo sa obráťte na zákaznícky servis RYOBI.





България	Українська	Türçe	
Технически характеристики	Технічні характеристики пристрою	Ürün teknik özellikleri	
Безжичен скарификатор	Бездротовий розпушувач	Kablosuz Tirmik	
Модел	Модель	Model	RY18SFX35A
Номинален волтаж	Номинальна напруга	Nominal voltaj	18 V d.c.
Работна ширина	Робоча ширина	Çalışma genişliği	350 mm
Работни височини	Робоча висота	Çalışma yükseklikleri	-12mm, -8mm, -4mm, 2mm
Скорост на острието на празен ход	Швидкість леа без навантаження	Yüksüz bıçak hızı	3300 rpm/min
Ниво на шумовите емисии (в съответствие с приложение DD на EN 50636-2-92)	Рівень шуму (відповідно до EN 50636-2-92 Annex DD)	Gürültü emisyon seviyesi (EN 50636-2-92 Ek DD uyarınca)	
L_{pA}	L_{pA}	L_{pA}	80,5 dB(A)
Променливост	Похибка	Belirsiz	K = 3,0 dB
L_{wA}	L_{wA}	L_{wA}	91,3 dB(A)
Променливост	Похибка	Belirsiz	K = 3,8 dB
Ниво на вибрациите (в съответствие с приложение CC на EN 50636-2-92)	Рівень вібрації (відповідно до EN 50636-2-92 Annex CC)	Titreşim seviyesi (EN 50636-2-92, Ek CC uyarınca)	
a_h	a_h	a_h	8,1 m/s ²
Променливост	Похибка	Belirsiz	K = 1,5 m/s ²

България	Українська	Türçe		
Батерия и зарядно устройство	Акумулятор і зарядний пристрій	Pil ve şarj cihazı		
Модел	Модель	Model	RY18SFX35A-240	RY18SFX35A-0
Батерия	Акумуляторна батарея	Pil	RB18L40 x 2	-
Тегло	Вага	Ağırlık	0,44 kg	-
Зарядно устройство	Зарядний пристрій	Şarj cihazı	RC18115	-
Тегло	Вага	Ağırlık	0,4 kg	-
Съвместими батерии	Сумісні акумуляторні блоки	Uyumlu pil takımları	RB18L13, RB18L26, RB18L15, RB18L15A, RB18L15B, RB18L25, RB18L25A, RB18L40, RB18L40A, RB18L50, RB18L50A, RB18L20, RB18L20A, RB18L30, RB18L30A, RB18L60, RB18L60A, RB18L90, RB18L90A	
Съвместимо зарядно устройство	Сумісний зарядний пристрій	Uyumlu şarj cihazı	BCS618G, BCL14181H, BCL14183H, BCL14181V, RC18150U, RC18627U, RC18120, RC18115	
Резервни части	Запасні частини	Yedek Parça		
Острие на скарификатор	Лезо розпушувача	Tirmik bıçağı	5131042544	
Ролка на аератор	Ролик аератора	Havalandırıcı Rulo	5132004632	
Кош за отпадъци	Уловлювач сміття	Döküntü Toplayıcı	5132004633	
ЗАБЕЛЕЖКА: За поръчка на резервни части посетете местното бюро за специални поръчки или се свържете с центъра за обслужване на клиенти на RYOBI.	ПРИМІТКА: Завітайте до місцевої служби замовлень або зверніться до служби підтримки клієнтів RYOBI, щодо отримання запасних частин.	NOT: Yedek parçalar için özel sipariş masanızı ziyaret edin veya RYOBI Müşteri Hizmetleri ile iletişime geçin.		



EN Vibration level

The declared vibration value has been measured with a standard test method and may be used to compare one tool with another.

The declared vibration value may be used in a preliminary assessment of exposure.

The vibration emission during actual use of power tool can differ from the declared total value depending on the ways in which the tool is used.

Identify safety measures to protect yourself based on an estimation of exposure in the actual conditions of use, taking account of all parts of the operating cycle such as the times when the tool is switched off and when it is running idle in addition to the trigger time.

FR Niveau de vibrations

La valeur déclarée totale des vibrations a été mesurée selon une méthode de test standardisée qui peut être utilisée pour comparer un outil avec un autre.

La valeur déclarée totale des vibrations peut également être utilisée pour évaluer par avance le niveau d'exposition.

La valeur des vibrations réellement produites durant l'utilisation de l'outil électrique peuvent différer de la valeur totale déclarée, en fonction de la manière dont l'outil est utilisé.

Identifiez les mesures de sécurité à prendre pour vous protéger, sur la base d'une estimation de l'exposition réelle, en tenant compte de tous les éléments du cycle d'utilisation tels que le temps d'arrêt de l'outil et le temps de son fonctionnement au ralenti, en plus du temps de fonctionnement normal.

DE Vibrationsgrad

Der angegebene Vibrationswert wurde durch eine Standard-Testmethode ermittelt und kann dazu verwendet werden, ein Werkzeug mit einem anderen zu vergleichen.

Der angegebene Vibrationswert kann für eine Vorabbeurteilung der Exponierung herangezogen werden.

Die Vibrationsemissionen bei der tatsächlichen Benutzung von Elektrowerkzeugen kann sich, abhängig von der Art der Benutzung des Werkzeugs, von dem genannten Wert unterscheiden.

Identifizieren Sie aufgrund einer Einschätzung der Exponierung unter tatsächlichen Einsatzbedingungen Maßnahmen zum eigenen Schutz, unter Berücksichtigung aller Bestandteile des Betriebszyklus, wie die Zeiten zu denen das Werkzeug ausgeschaltet ist, und zu denen es sich zusätzlich zu den Auslösezeitpunkten im Leerlauf befindet.

ES Nivel de vibración

El valor declarado de vibraciones se ha medido con un método de prueba estándar y puede utilizarse para comparar una herramienta con otra.

El valor declarado de vibraciones puede utilizarse en una evaluación preliminar de exposición.

La emisión de las vibraciones durante el uso real de la herramienta eléctrica puede diferir del valor total declarado según el uso que se le dé a la herramienta.

Identifique las medidas de seguridad para protegerse en base a una estimación de la exposición en las condiciones reales de uso, teniendo en cuenta todas las partes del ciclo de funcionamiento, como los tiempos en que la herramienta está apagada y cuando está en ralentí, además del tiempo de activación.

IT Livello di vibrazioni

Il valore delle vibrazioni dichiarato deve essere misurato con un metodo di test standard e può essere utilizzato per paragonare un utensile a un altro.

Il valore dichiarato delle vibrazioni può essere utilizzato nella valutazione preliminare dell'esposizione.

L'emissione delle vibrazioni durante l'utilizzo dell'utensile può essere diversa dal valore totale dichiarato a seconda dei modi in cui l'utensile viene utilizzato.

Individuare misure di sicurezza per proteggersi basate su una stima dell'esposizione nelle attuali condizioni di utilizzo, prendendo in considerazione tutte le parti del ciclo operativo come i tempi in cui l'utensile viene spento o quando funziona al minimo oltre al tempo di attivazione.

NL Trillingsniveau

De aangegeven trillingswaarde werd gemeten met behulp van een standaard testmethode en kan worden gebruikt om gereedschap met elkaar te vergelijken.

De aangegeven trillingswaarde kan worden gebruikt in een voorlopige blootstellingsanalyse.

De trillingsemisatie tijdens het gebruik van het werktuig kan verschillen van de aangegeven totale waarde, afhankelijk van de manier waarop het werktuig wordt gebruikt.

Neem veiligheidsmaatregelen om uzelf te beschermen op basis van een inschatting van de blootstelling in de huidige gebruiksomstandigheden, rekening houdend met alle onderdelen van de bedrijfscyclus, zoals de tijd dat het werktuig wordt uitgeschakeld en het stationair draait, bovenop de bedrijfstijd.

PT Nivel de vibração

O valor de vibração declarado foi medido com um método de teste padrão e pode ser usado para comparar uma ferramenta com outra.

O valor de vibração declarado pode ser utilizado numa avaliação preliminar da exposição.

A emissão das vibrações durante o uso real da ferramenta eléctrica pode diferir do valor total declarado segundo o uso que se der à ferramenta.

Identifique as medidas de segurança para se proteger com base numa estimativa de exposição nas actuais condições de uso, tendo em conta todas as peças do ciclo de funcionamento, como as vezes que a ferramenta é desligada e quando está a trabalhar em ralentí para além do tempo de gatilho.

DA Vibrationsniveau

Den erklærede vibrationsværdi er målt i henhold til en standard-testmetode og kan bruges til at sammenligne forskellige værktøjer indbyrdes.

Den erklærede vibrationsværdi kan bruges som en foreløbig vurdering af eksponeringen.

Vibrationsemissionen ved praktisk brug af elværktøjet kan variere fra den erklærede totalværdi, alt efter hvordan værktøjet anvendes.

Træf passende sikkerhedsforanstaltninger for at beskytte dig selv ud fra den skønnede eksponering for risici under de aktuelle anvendelsesforhold, hvor du - ud over den effektive arbejdstid - også tager højde for de varierende perioder, som fx når værktøjet er slukket, og når det kører i tomgang.



SV Vibrationsnivå

Det angivna vibrationsvärdet har uppmätts med en standardmetod och kan användas för att jämföra med andra kraftverktyg.

Det angivna vibrationsvärdet kan användas i en preliminär analys av vibrationerna som användaren utsätts för.

De vibrationer som uppstår vid användningen av el-verktyget kan skilja sig från det uppgivna totalvärdet beroende på det sätt som verktyget används på.

Vidtag säkerhetsåtgärder för ditt personliga skydd utifrån den exponering som sker under användningen, ta hänsyn till all användning som då verktyget är avstängt och när det går på tomgång förutom den faktiska brukstiden.

FI Tärinätaso

Ilmoitettu tärinäarvo on mitattu tavallisin testimenetelmin, ja sitä voidaan käyttää verrattaessa laitetta toiseen.

Ilmoitettua tärinäarvoa voidaan käyttää arvioitaessa tärinävaikutusta.

Sähkötyökäulun todellisen käytön aikainen tärinä saattaa poiketa ilmoitetusta kokonaisarvosta, laitteen käyttötavasta riippuen.

Määritä käyttäjän suojakeinot, jotka perustuvat todellisten käyttöolosuhteiden tärinävaikutusarvioon, ottaen huomioon kaikki käyttöjakson osat, kuten ajan, jonka laite on sammuksissa ja käy tyhjäkäynnillä, varsinaisen sahausajan lisäksi.

NO Vibrasjonsnivå

Den oppgitte vibrasjonsverdien er målt med en standard testmetode og kan benyttes for å sammenligne ett verkøy med et annet.

Den oppgitte vibrasjonsverdien kan benyttes for en foreløpig angivelse av eksponering.

Vibrasjonene ved faktisk bruk av et elektrisk verkøy kan skille seg fra oppgitte totalverdier avhengig av måten verktøyet brukes på.

Identifiser sikkeringstiltak som beskytter deg selv, basert på et anslag for eksponering i den faktiske brukssituasjonen der man tar hensyn til alle brukssykluser, som tidspunktet da maskinen ble slått av og når den går på tomgang i tillegg til tiden når verktøyet arbeider.

RU Уровень вибрации

Заявленная величина вибрации измерялась в соответствии со стандартной методикой проведения испытаний и может использоваться для сравнения одного инструмента с другим.

Заявленная величина вибрации может использоваться при предварительной оценке характеристик.

Уровень вибрации при работе электроинструмента может отличаться от заявленной общей величины вибрации в зависимости от условий его использования.

Выберите средства защиты оператора с учетом реальных условий эксплуатации, принимая во внимание все факторы рабочего цикла, такие как время, в течение которого инструмент был выключен, и время его работы в холостом режиме.

PL Poziom drgań

Deklarowany poziom drgań został zmierzony za pomocą standardowej metody pomiaru i jego wyniki mogą służyć do porównywania tego urządzenia z innymi.

Deklarowana wartość drgań może służyć do wstępnej oceny narażenia operatora na wibracje.

Emisja drgań podczas użytkowania elektronarzędzi może różnić się od zadeklarowanej wartości, w zależności od sposobu użytkowania urządzenia.

Określić zasady bezpieczeństwa, oparte na oszacowaniu narażenia operatora w rzeczywistych warunkach użytkowania, uwzględniając wszystkie elementy cyklu operacyjnego, takie jak czasy wyłączenia oraz czasy pracy bez obciążenia, oprócz czasu pracy przy wcisniętym przycisku uruchamiania.

CS Úroveň vibrací

Uznaná hodnota vibrací byla naměřena pomocí standardního testovacího postupu a lze ji použít k porovnání s jiným nástrojem.

Uznaná hodnota vibrací se může používat k předběžnému odhadu vystavování vibracím.

Aktuální hodnoty vibrací během používání nástroje se mohou lišit od výše uvedených a mohou se lišit dle použitého nástroje.

Určete bezpečnostní opatření pro vlastní ochranu, která jsou založena na odhadu vystavení v aktuálních podmínkách používání, popisu všech částí pracovního cyklu jako doby, kdy je nástroj vypnut a když běží naprázdno, kromě doby spuštění.

HU Vibrációs szint

A megadott vibrációs érték szabványos tesztmódszerrel lett meghatározva, és két szerszám összehasonlításakor is használható.

A megadott vibrációs érték a vibrációnak való kitettség előzetes becsüléséhez is felhasználható.

A vibráció-kibocsátás a szerszámgép tényleges használat során elterhet a nyilatkozatban szereplő teljes értéktől; ez függ a gép használatának módjától.

Határozza meg a saját védelmét szolgáló óvintézkedéseket az adott használati körülmények között érvényes kitettség felmérésével, figyelembe véve a használat teljes időtartamát, vagyis beleértve azokat az időszakokat, amikor a gép ki van kapcsolva, vagy bekapcsolt állapotban üresjárásban működik.

RO Nivelul vibrațiilor

Valoarea declarată a vibrațiilor a fost măsurată cu o metodă de testare standard și poate fi utilizată pentru a compara o unealtă cu alta.

Valoare declarată a vibrațiilor poate fi utilizată într-o evaluare preliminară a expunerii.

Emisia de vibrații în timpul folosirii efective a uneltei electrice poate diferi de valoarea totală declarată în funcție de modulile în care este utilizată unealta.

Identificați măsurile de siguranță pentru a vă proteja, pe baza estimării expunerii la condițiile efective de utilizare, luând în considerare toate etapele ciclului de operare, precum momentele în care unealta este oprită și atunci când funcționează în gol, suplimentar momentului declanșării.





LV Vibrācijas līmenis

Nosauktais vibrācijas līmenis ir ticis izmērīts ar standarta pārbaudes metodi un var tikt izmantots, lai salīdzinātu vienu instrumentu ar citu.

Nosauktā vibrācijas vērtība var tikt izmantota sākotnējās iedarbības novērtējumam.

Elektrinstrumenta vibromeisija reālā darba laikā var atšķirties no norādītās kopējās vērtības atkarībā no veidiem, kā instruments tiek lietots.

Nosauktie drošības pasākumus, lai sevi aizsargātu, balstoties uz saskares ilguma novērtējumu atbilstoši lietošanas apstākļiem, ņemot vērā visas lietošanas cikla daļas, tostarp laikus, kad instruments tiek izslēgts un kad tas darbojas tukšgaitā papildus darbināšanas laikam.

LT Vibracijos lygis

Deklaruotas vibrācijas lygis yra išmatuotas standartinio testo metu ir gali būti naudojamas vieno įrankio su kitu palyginimui.

Deklaruotas vibracijos lygis gali būti naudojamas preliminariam pavojaus įvertinimui.

Elektrinio įrankio naudojimo metu vibracijos lygis gali skirtis nuo deklaruotos bendrosios vertės pagal įrankio naudojimo būdus.

Nustatykite saugumo priemones, kad apsisaugotumėte, kurios pagrįstos pavojaus įvertinimu pačiose naudojimo sąlygose, atkreipiant dėmesį į visas darbo ciklo dalis, pvz. laikotarpį, kai įrankis yra išjungtas ir kai veikia tuščiaja eiga bei perjungimo laiką.

ET Vibratsioonitase

Deklareeritud vibratsiooniväärtus on mõeldud standardse testimiseetodiga ja seda võib kasutada tööriistade omavaheliseks võrdlemiseks.

Deklareeritud vibratsiooniväärtust võib kasutada mürataseme eelhindamiseks.

Olenevalt seadme kasutusviisist võib mehaanilise tööriista töötamisel ilmneva vibratsiooniemissioon, mille suurus erineb deklareeritud väärtustest.

Kasutaja kaitsmiseks seadmega töötamisel tuleb kindlaks teha turvameetmed, mis põhinevad tegetlikes kasutustingimustes esinevale vibratsioonile, sealjuures tuleb arvesse võtta kõiki töotsükli osi, lisaks sisselüüritatud olekule näiteks ka vibratsiooni väljalülitamise ajal ja tühi ajal.

HR Razina vibracije

Objavljena vrijednost vibracija je izmjerena standardnom metodom testiranja i može se koristiti za usporedbu jednog alata s drugim.

Objavljena vrijednost vibracija može se koristiti u početnom usklađivanju izloženosti.

Razina vibracija tijekom trenutne uporabe AKU alata može se razlikovati od deklarirane ukupne vrijednosti ovisno o načinima na koje se alat koristi.

Identificirajte sigurnosne mjere za svoju zaštitu na temelju procjene izloženosti u trenutim uvjetima korištenja, uzevši u obzir sve dijelove radnog ciklusa kao što su vrijeme kada je alat isključen i kada je pokrenut u praznom hodu u dodatku vremenu pokretanja.

SL Raven vibracij

Navedena vrednost vibracij je bila izmerjena s standardno metodo testiranja in se lahko uporabi za primerjavo različnih orodij.

Navedena vrednost vibracij se lahko uporabi za predhodne ocene izpostavljenosti.

Emisije med dejansko uporabo električnega orodja se od navedene vrednosti lahko razlikujejo, odvisno od načina, kako se orodje uporablja.

Ugotovite varnostne ukrepe za zaščito upravljalca, ki temeljijo na oceni izpostavljenosti v dejanskih pogojih uporabe, pri tem pa je treba upoštevati vse dele delovnega cikla – npr. ko je orodje izključeno in ko je v prostem teku in čas zagona.

SK Úroveň vibrácií

Deklarovaná hodnota vibrácií bola meraná podľa štandardnej testovacej metódy a možno ju používať na porovnanie jedného nástroja s iným.

Deklarovaná hodnota vibrácií sa dá použiť aj v predbežnom odhade expozície.

Úroveň emisii počas samotného používania elektrického nástroja sa môže líšiť od deklarovanej celkovej hodnoty v závislosti od toho, ktorý nástroj sa používa.

Identifikujte bezpečnostné opatrenia na vašu ochranu ne základe posúdenia skutočných podmienok použitia, pričom vezmite do úvahy všetky časti prevádzkového cyklu, napríklad časov, kedy je nástroj vypnutý a kedy pracuje na voľnobehu okrem času spúšťania.

BG Ниво на вибрация

Посочената стойност за вибрациите е измерена с помощта на стандартен тест и може да се използва за сравнение с друг инструмент.

Посочената стойност за вибрациите може да бъде използвана в предварително оценяване за излагане на вибрации.

Вибрациите по време на действителната употреба на електромеханичния инструмент може да се различават от обявената обща стойност в зависимост от начините, по които се използва инструментът.

Определете мерки за безопасност за собствена защита според преценка за излагането на вибрации в реални условия, като се вземат предвид всички елементи на работния цикъл, като например времето, в което инструментът е изключен и когато работи на празен ход, както и времето за задействане.

UK Рівень вібрації

Оголошене значення вібрації було виміряно за допомогою стандартного методу випробування і може бути використане для порівняння одного інструмента з іншим.

Він може бути використаний для попередньої оцінки впливу.

Емісія вібрації під час фактичного використання електрострументу може відрізнятись від заявленого значення залежно загального використання інструменту.

Визначити заходи безпеки, щоб захистити себе на основі оцінки впливу в реальних умовах використання, з урахуванням всіх частин робочого циклу, коли інструмент вимкнений, і коли він працює в холостому режимі, доповнюючи робоче положення.



TR Titreşim seviyesi

Beyan edilen titreşim değeri standart bir test yöntemi ile ölçülmüştür ve bir aleti diğeriyle karşılaştırmak için kullanılabilir.

Beyan edilen titreşim değeri bir maruz kalma ön değerlendirmesinde kullanılabilir.

Güç destekli aletin fiili kullanımı sırasında meydana gelen titreşim emisyonu aletin kullanıma şekline bağlı olarak beyan edilen toplam değerden farklı olabilir.

Kendinizi korumak için aletin açılıp kapatılma sayısı ve tetik süresinin yanı sıra rölantide çalıştığı zaman gibi çalışma döngüsünde yer alan tüm parçaları dikkate alarak gerçek kullanım koşullarında maruz kalma hesaplamasına dayalı güvenlik önlemlerini belirleyin.

EN RYOBI® WARRANTY APPLICATION CONDITIONS

In addition to any statutory rights resulting from the purchase, this product is covered by a warranty as stated below.

- The warranty period is 24 months for consumers and commences on the date when the product was purchased. This date has to be documented by an invoice or other proof of purchase. The product is designed and dedicated to consumer and private use only. So there is no warranty provided in case of professional or commercial use. This warranty applies only on new products.
- There is a possibility to extend for a part of the range of power tools (AC/DC) the warranty period over the period described above using the registration on the www.ryobitools.eu website. The eligibility of products for extended warranty is clearly displayed in stores and / or on packaging and is contained within the product documentation. The end user is required to register his/her newly-acquired products online within 30 days from the date of purchase. The end user may register for the extended warranty in his/her country of residence if listed on the online registration form where this option is valid. Furthermore, end users must give their consent to the storage of their personal data that is required to be entered online. They must also accept the terms and conditions. The registration confirmation receipt, which is sent out by e-mail, and the original invoice showing the date of purchase will serve as proof of the extended warranty.
- The warranty covers all defects of the product during the warranty period due to faults in workmanship or material at the purchase date. The warranty is limited to repair and/or replacement and does not include any other obligations including but not limited to incidental or consequential damages. The warranty is not valid if the product has been misused, used contrary to the instruction manual, or has been incorrectly connected to a power supply. This warranty does not apply to:
 - any damage to the product that is the result of improper or lack of maintenance
 - any product that has been altered or modified
 - any product where original identification (trade mark, serial number) markings have been defaced, altered or removed
 - any damage caused by non-observance of the instruction manual
 - any product not displaying the CE approval mark on the rating plate
 - any product that has been attempted to be repaired by a non-authorized warranty service centre or without prior authorisation by Techtronic Industries
 - any product connected to improper power supply (amps, voltage, frequency)
 - any product used with inappropriate fuel mixture (fuel, oil, ratio of oil/ fuel mixture)
 - any damage caused by external influences (water, chemical, physical, shocks) or foreign substances
 - normal wear and tear spare parts
 - inappropriate use, overloading of the tool
 - use of non-approved accessories or parts
 - Accessories provided with the tool or purchased separately including but not limited to blades, saw chains, cutting lines, etc.
 - Any periodic adjustments to or maintenance cleaning of carburettors
 - Components (parts and accessories) subject to natural wear and tear, including but not limited to bump knobs, drive belts, clutch, blades of hedge trimmers or lawn mowers, harness, cable throttle, carbon brushes, power cord, tines, felt washers, hitch pins, blower fans, blower and vacuum tubes, vacuum bag and straps, guide bars, saw chains, hoses, connector fittings, spray nozzles, wheels, spray wands, inner reels, outer spools, cutting lines, spark plugs, air filters, gas filters, mulching blades, etc.
- For servicing, the product must be sent or presented to a RYOBI authorised service station listed for each country in the following list of service station addresses. In some countries your local RYOBI dealer undertakes to send the product to the RYOBI service organisation. When sending a product to a RYOBI service station, the product should be safely packed without any dangerous contents such as petrol, marked with sender's address and accompanied by a short description of the fault.
- A repair / replacement under this warranty is free of charge. It does not constitute an extension or a new start of the warranty period. Exchanged parts or products become our property. In some countries delivery charges or postage will have to be paid by the sender. Your statutory rights arising from the purchase of the product remain unaffected.
- This warranty is valid in the European Community, Switzerland, Iceland, Norway, Liechtenstein, Turkey and Russia. Outside these areas, please contact your authorised RYOBI dealer to determine if another warranty applies.

AUTHORISED SERVICE CENTRE

To find an authorised service centre near you, visit <http://uk.ryobitools.eu/header/service-and-support/service-agents>.

FR RYOBI® CONDITIONS D'APPLICATION DE LA GARANTIE

En plus des droits statutaires liés à l'achat, ce produit est couvert par une garantie telle que décrite ci-dessous.

- La durée de la garantie accordée au consommateur est de 24 mois à partir de la date d'achat. Cette date doit être authentifiée par une facture ou tout autre preuve d'achat. Le produit a été conçu en vue d'une utilisation strictement privée. Aucune garantie ne s'applique donc en cas d'utilisation professionnelle ou commerciale.
- Il existe pour une partie de la gamme « jardin » (AC/DC), une possibilité d'étendre la période de garantie au-delà de la période précédemment décrite en utilisant le formulaire d'enregistrement présent sur le site Internet www.ryobitools.eu. L'éligibilité d'un outil est clairement affichée dans les points de vente et/ou sur l'emballage et la documentation. L'utilisateur final doit enregistrer son/ses outil(s) nouvellement acheté(s) en ligne dans les 30 jours qui suivent la date d'achat. L'utilisateur a la possibilité de s'enregistrer pour l'extension de garantie dans son pays de résidence si celui-ci est listé dans le formulaire d'enregistrement en ligne où cette option est validée. L'utilisateur final doit donner son consentement pour l'enregistrement des données requises pour accéder au site et doit accepter les termes et conditions. La confirmation d'enregistrement, envoyée par courrier électronique, ainsi que la facture originale mentionnant la date d'achat serviront de preuve de l'extension de garantie.
- La garantie couvre pendant la période de garantie les défauts des produits liés à la fabrication et aux matériaux à la date d'achat. La garantie est limitée à la réparation et/ou au remplacement et n'inclut aucune autre obligation, tel que, mais sans s'y limiter, les dommages accessoires ou indirects. La garantie est non valable en cas de mauvaise utilisation du produit, d'utilisation contraire aux instructions du mode d'emploi, ou en cas de branchement incorrect. Cette garantie ne s'applique pas pour :
 - tout dommage au produit résultant d'un mauvais entretien
 - tout produit ayant été altéré ou modifié
 - tout produit dont les marquages originaux d'identification (marque, numéro de série) ont été dégradés, altérés ou retirés
 - tout dommage causé par le non-respect des instructions du mode d'emploi
 - tout produit non CE
 - tout produit ayant subi une tentative de réparation par du personnel non qualifié ou sans autorisation préalable de Techtronic Industries
 - tout produit raccordé à une alimentation secteur non conforme (ampérage, voltage, fréquence)
 - tout produit utilisé avec un mélange inapproprié (essence, huile, pourcentage d'huile)
 - tout dommage causé par des influences extérieures (chimiques, physiques, chocs) ou par des substances étrangères
 - l'usure normale des pièces consommables
 - une utilisation inappropriée, une surcharge de l'outil
 - l'utilisation de pièces ou accessoires non agréés
 - Tout réglage périodique ou tout nettoyage de maintenance des carburateurs
 - les composants (pièces et accessoires) sujets à une usure naturelle, incluant de façon non exhaustive les têtes de fil à frapper, les courroies de transmission, les embrayages, les lames des taille-haies ou des tondeuses à gazon, les harnais, les câbles d'accélérateur, les charbons, les cordons d'alimentation, les fraises de cultivateurs, les rondelles feutre, les goupilles de fraise, les turbines et lame de broyage des souffleurs, les tubes de soufflage et d'aspiration des souffleurs, les sacs de souffleurs et leurs lanières, les guides-chaîne, les chaînes de tronçonneuses, les tuyaux et raccords, les buses et lances de nettoyeurs haute pression, les roues, les recharges de fil des têtes de coupe, les têtes de coupe, le fil de coupe, les bougies d'allumage, les filtres à air, les filtres à essence, etc.
- Si le produit doit être réparé, envoyez-le à un service après-vente agréé RYOBI dont vous trouverez ci-dessous la liste pour chaque pays. Dans certains pays, votre revendeur RYOBI se chargera d'envoyer le produit à un centre de réparation RYOBI. Lorsque vous envoyez un produit à un service après-vente RYOBI, celui-ci doit être correctement emballé, sans contenir aucun produit dangereux tel que de l'essence, et vous devez indiquer votre adresse ainsi qu'une courte description du problème.
- Une réparation / un remplacement sous garantie est gratuit(e). Ceci ne constituera pas une extension de garantie ni un nouveau départ de la période de garantie. Les pièces ou les outils remplacés deviennent notre propriété. Dans certains pays, les frais de port devront être assumés par l'expéditeur. Vos droits statutaires restent inchangés.
- Cette garantie est valable au sein de l'Europe, de la Suisse, de l'Islande, de la Norvège, du Liechtenstein, de la Turquie, de la Russie. En dehors de ces zones, veuillez contacter votre distributeur agréé RYOBI pour déterminer si une autre garantie s'applique.

SERVICE APRÈS-VENTE AGRÉÉ

Pour trouver le service après-vente agréé le plus proche, rendez-vous sur <http://fr.ryobitools.eu/header/service-and-support/service-agents>

DE RYOBI® GARANTIEBEDINGUNGEN

Zusätzlich zu den gesetzlichen Rechten aus dem Kauf gilt für dieses Produkt die nachstehend aufgeführte Garantie.

- Der Garantiezeitraum beträgt für Verbraucher 24 Monate und beginnt mit dem Datum des Kaufs. Dieses Datum muss durch eine Rechnung oder einen anderen Kaufbeleg dokumentiert werden. Dieses Produkt wurde ausschließlich zur privaten Nutzung durch Verbraucher entwickelt. Für den Fall einer professionellen bzw. kommerziellen Nutzung besteht daher keine Garantie.
- Es besteht die Möglichkeit, für einen Teil des Sortiments der Gartenwerkzeuge (AC/DC) den Garantiezeitraum über den oben genannten Zeitraum hinaus zu verlängern, indem der Verbraucher die Registrierung auf der Website www.ryobitools.eu durchführt. Die Berechtigung der Werkzeuge für die Garantieverlängerung ist deutlich im Geschäft und/oder auf der Verpackung beschrieben und in der Produktdokumentation erwähnt. Der Verbraucher muss das neu erworbene Gerät online innerhalb von 30 Tagen ab dem Kaufdatum registrieren. Der Verbraucher kann das Gerät zwecks Garantieverlängerung in seinem Wohnsitzland/Heimatland registrieren, wenn dieses Land auf dem Online-Registrierungsformular aufgeführt und die Option gültig ist. Darüber hinaus muss der Verbraucher seine Zustimmung zur Speicherung der Daten geben, die online eingegeben werden müssen, und er muss die allgemeinen Geschäftsbedingungen akzeptieren. Die Bestätigung der Registrierung, die per E-Mail versandt wird, und die Originalrechnung mit dem Kaufdatum gelten als Beleg für die Garantieverlängerung.
- Die Garantie deckt alle Defekte des Geräts während des Garantiezeitraums ab, die auf zum Zeitpunkt des Kaufs bestehende Verarbeitungs- oder Materialfehler zurückzuführen sind. Die Garantie beschränkt sich auf Reparatur und/oder Ersatz und beinhaltet keine anderen Verpflichtungen, insbesondere keinen Schadenersatz für Folge- oder Nebenschäden. Die Garantie gilt nicht, wenn das Gerät fehlerhaft eingesetzt wurde, gegensätzlich zur Bedienungsanleitung eingesetzt wurde oder falsch angeschlossen wurde. Die Garantie gilt nicht für Folgendes:
 - Schäden am Gerät, die auf unkorrekte Wartung zurückzuführen sind
 - Geräte, an denen Veränderungen vorgenommen wurden
 - Produkte, bei denen die ursprüngliche Identifizierung (Handelsmarke, Seriennummer) unleserlich gemacht, verändert oder entfernt wurde
 - Schäden durch Nichtbeachtung der Bedienungsanleitung
 - nicht-CE-zertifizierte Geräte
 - Geräte, an denen durch nicht-qualifizierte Personen oder ohne vorherige Genehmigung von Techtronic Industries Reparaturversuche vorgenommen wurden
 - Geräte, die an unkorrekte Energiequellen (Ampere, Volt, Frequenz) angeschlossen wurden
 - Geräte, die mit einer fehlerhaften Treibstoffmischung (Treibstoff, Öl, Ölanteil) betrieben wurden
 - Schäden durch äußere Einflüsse (chemisch, physisch, Stöße) oder Fremdstoffe
 - normaler Verschleiß von Ersatzteilen
 - unangemessene Nutzung, Überlastung des Geräts
 - Nutzung nicht genehmigter Zubehörteile oder Ersatzteile
 - Regelmäßige Einstellung oder Wartungsreinigung des Vergasers
 - Komponenten (Ersatzteile und Zubehörteile), die natürlicherem Verschleiß unterliegen, einschließlich, aber nicht begrenzt auf Service- und Wartungssets, Kohlebürsten, Lager, Spannvorrichtungen, SDS-Bohreraufnahme / Bit-Adapter, Netzkabel, Zusatzhandgriff, Transportkoffer, Schleifplatten, Staubbeutel, Staubabführungen, Filzunterlegscheiben, Bolzen und Federn von Schlagschraubern, einschließlich, aber nicht beschränkt auf Fadenköpfe, Antriebsriemen, Kupplungen, die Klängen von Heckenscharen oder Rasenmähern, Kabelstränge, Gaszüge, Zinken, Steckbolzen, Lüfter, Saug- und Gebläserohre oder Düsen, Fangsäcke und Gurte, Führungsschienen, Sägeketten, Schläuche, Verbinder, Sprühdüsen, Räder, Sprühstäbe, innere Rollen, äußere Spulen, Schneidfäden, Zündkerzen, Luftfilter, Benzin-/ Ölfilter, Hackseil-Messer usw.
- Zum Service muss das Gerät zu einer von RYOBI autorisierten Servicestation gebracht oder dorthin gesendet werden. Die Servicestationen für die einzelnen Länder sind in der folgenden Liste aufgeführt. In einigen Ländern sendet Ihr RYOBI-Händler vor Ort das Gerät an das RYOBI-Serviceunternehmen. Beim Einsenden an die RYOBI-Servicestation sollte das Gerät sicher verpackt sein, ohne gefährliche Inhalte wie Benzin, und es sollte mit der Adresse des Absenders und einer kurzen Beschreibung des Fehlers versehen sein.
- Eine Reparatur bzw. ein Ersatz gemäß dieser Garantie ist kostenlos. Hieraus ergibt sich weder eine Garantieverlängerung noch der Beginn eines neuen Garantiezeitraums. Die ausgetauschten Ersatzteile oder Werkzeuge gehen in unser Eigentum über. In einigen Ländern müssen die Zustellgebühren oder die Versandkosten vom Absender gezahlt werden. Ihre gesetzlichen Rechte aus dem Kauf des Geräts bleiben hiervon unberührt.
- Diese Garantie gilt in der Europäischen Union, der Schweiz, Island, Norwegen, Liechtenstein, der Türkei und Russland. Bitte wenden Sie sich außerhalb dieser Gebiete an Ihren autorisierten RYOBI-Händler, um festzustellen, ob eine andere Garantie gilt.

AUTORISIERTER KUNDENDIENST

Besuchen Sie <http://de.ryobitools.eu/header/service-and-support/service-agents>, um einen autorisierten Kundendienst in Ihrer Nähe zu finden.

ES CONDICIONES DE APLICACIÓN DE LA GARANTÍA DE RYOBI®

Además de cualquier derecho legal derivado de la compra, este producto está cubierto por una garantía que se indica a continuación.

- El periodo de garantía es de 24 meses para consumidores y comienza en la fecha en que se comprara el producto. Dicha fecha debe documentarse con una factura u otro comprobante de compra. El producto está diseñado y concebido únicamente para el uso privado del consumidor. Por lo tanto, no se ofrece garantía en caso de uso profesional o comercial.
- Existe la posibilidad de ampliar el periodo de garantía respectivo a una parte de la gama de herramientas de jardinería (CA/CC) durante el periodo descrito más arriba y mediante el registro en el sitio web www.ryobitools.eu. La elegibilidad de las herramientas para que se amplie el periodo de garantía se muestra claramente en las tiendas o en el embalaje y está incluida en la documentación del producto. El usuario final tiene que registrar en línea sus herramientas recientemente adquiridas en un plazo de 30 días a partir de la fecha de compra. El usuario final podrá registrarse para obtener la garantía ampliada en su país de residencia si este aparece en la lista del formulario de registro en línea cuando esta opción sea válida. Además, los usuarios finales deberán dar su consentimiento al almacenamiento de los datos necesarios para el acceso en línea y tienen que aceptar los términos y condiciones. El recibo de confirmación de registro, que se envía por correo electrónico, y la factura original que muestra la fecha de compra servirán como comprobante para la garantía ampliada.
- La garantía cubre todos los defectos del producto durante el periodo de garantía debido a fallos de mano de obra o material en la fecha de compra. La garantía se limita a la reparación o sustitución y no incluye ninguna otra obligación como, por ejemplo, daños accidentales o consecuentes. La garantía no es válida si se ha usado mal el producto, se ha usado contraviniendo el manual de instrucciones o se ha conectado de forma incorrecta. Esta garantía no es aplicable a:
 - ningún daño en el producto que sea consecuencia de un mantenimiento inadecuado
 - ningún producto que haya sido alterado o modificado
 - ningún producto en el que los marcados de identificación originales (marca comercial, número de serie) se hayan borrado, modificado o eliminado
 - ningún daño provocado por no seguir el manual de instrucciones
 - ningún producto que no sea CE
 - ningún producto que haya sufrido un intento de reparación por parte de un profesional no cualificado o sin la autorización previa de Techtronic Industries.
 - ningún producto conectado a un suministro eléctrico inadecuado (amperios, voltaje, frecuencia)
 - ningún producto usado con una mezcla de combustible inadecuada (combustible, aceite, porcentaje de aceite)
 - ningún daño causado por influencias externas (químicas, físicas, impactos) o sustancias extrañas
 - desgaste normal de piezas de repuesto
 - uso inadecuado, sobrecarga de la herramienta
 - uso de accesorios o piezas no aprobados
 - Cualquier ajuste periódico o limpieza de mantenimiento de los carburadores
 - Componentes (piezas y accesorios) sujetos al desgaste natural incluyendo, entre otros, pomos de golpes, correas de transmisión, embragues, cuchillas de cortasetos o cortacésped, arneses, cable del acelerador, escobillas de carbono, cables eléctricos, discos, paños de fieltro, pasadores de enganche, ventiladores de soplador, tubos de aspiración y de soplado, bolsas y correas de aspiración, barras guías, cadenas de sierra, mangueras, herrajes de conectores, boquillas pulverizadoras, ruedas, lanzas pulverizadoras, bobinas interiores, carretes exteriores, líneas de corte, bujías, filtros de aire, filtros de gas, cuchillas de compostaje, etc.
- Para su mantenimiento, el producto debe enviarse o presentarse a una estación de servicio de RYOBI autorizada que figure en la siguiente lista de direcciones de estaciones de servicio por países. En algunos países, su distribuidor RYOBI local se responsabiliza de enviar el producto a la compañía de servicio de RYOBI. Cuando se envíe un producto a una estación de servicio de RYOBI, este debe estar empaquetado de forma segura sin contenidos peligrosos como gasolina, marcado con la dirección del remitente y acompañado de una breve descripción del fallo.
- Una reparación / sustitución con esta garantía es gratuita. No constituye una ampliación ni un nuevo comienzo del periodo de garantía. Las piezas o herramientas intercambiadas pasan a ser de nuestra propiedad. En algunos países, los gastos de envío o correo tendrán que pagarlos el remitente. Sus derechos legales derivados de esta compra de la herramienta no se verán afectados.
- Esta garantía es válida en la Unión Europea, Suiza, Islandia, Noruega, Liechtenstein, Turquía y Rusia. Fuera de estas zonas, póngase en contacto con su distribuidor de RYOBI autorizado para determinar si es aplicable otra garantía.

SERVICIO TÉCNICO AUTORIZADO

Para encontrar el servicio técnico autorizado más cercano, visite <http://es.ryobitools.eu/header/service-and-support/service-agents>.

IT CONDIZIONI DI VALIDITÀ DELLA GARANZIA RYOBI®

In aggiunta ai diritti di legge risultanti dall'acquisto, il prodotto è coperto dalla garanzia sotto descritta.

- Il periodo di garanzia è di 24 mesi per i consumatori, a decorrere dalla data di acquisto del prodotto. La data deve essere documentata da una fattura o altra prova d'acquisto. Il prodotto è progettato e destinato solo all'utilizzo privato dei consumatori. Pertanto non viene fornita alcuna garanzia in caso di uso professionale o commerciale.
- Per una serie di utensili da giardino (CA/CC) è possibile prolungare il periodo di garanzia oltre quello descritto, registrandosi sul sito web www.ryobitools.eu. Gli utensili per i quali è possibile prolungare il periodo di garanzia sono chiaramente indicati nei negozi e/o sulle confezioni e nella documentazione dei prodotti. L'utente deve registrare online l'utensile acquistato entro 30 giorni dalla data di acquisto. L'utente può registrarsi per la garanzia prolungata nel proprio paese di residenza, se questo è elencato nel modulo di registrazione online dove questa opzione sia valida. Inoltre gli utenti devono fornire il proprio consenso alla conservazione dei dati da immettere online e devono accettare le condizioni generali. La conferma di registrazione, inviata tramite e-mail, e la fattura originale indicante la data di acquisto, costituiranno la prova della garanzia prolungata.
- La garanzia copre tutti i difetti del prodotto durante il periodo di garanzia, risultati da manodopera o materiali alla data di acquisto. La garanzia è limitata alla riparazione e/o sostituzione e non include alcun altro obbligo quali, a mero titolo esemplificativo, i danni incidentali o consequenziali. La garanzia non è valida se il prodotto è stato usato scorrettamente, in modo contrario al manuale di istruzioni o se è stato collegato in modo errato. La garanzia non è valida per:
 - qualsiasi danno al prodotto dovuto a manutenzione errata;
 - qualsiasi prodotto che sia stato alterato o modificato;
 - qualsiasi prodotto le cui marcature di identificazione originali (marchi di fabbrica, numero di serie) siano state cancellate, alterate o rimosse;
 - qualsiasi danno causato dalla non osservanza delle istruzioni del manuale;
 - qualsiasi prodotto privo di omologazione CE;
 - qualsiasi prodotto che sia stato sottoposto a un tentativo di riparazione da parte di un professionista non qualificato oppure senza la previa autorizzazione di Techtronic Industries;
 - qualsiasi prodotto collegato a un'alimentazione errata (per ampere, tensione, frequenza);
 - qualsiasi prodotto usato con una miscela di carburante errata (carburante, olio, percentuale di olio);
 - qualsiasi danno causato da influenze esterne (chimiche, fisiche, urti) o sostanze estranee;
 - la normale usura delle parti di ricambio;
 - uso inappropriato, sovraccarico dell'utensile;
 - uso di accessori o parti non omologate;
 - qualsiasi regolazione periodica o pulizia di manutenzione dei carburatori;
 - componenti (parti e accessori) soggetti alla normale usura compresi, a mero titolo esemplificativo, testine a filo, cinghie di trasmissione, frizioni, lame di tagliaspine o tagliaerba, imbragature, cavi di accelerazione, spazzole al carbonio, cavi di alimentazione, denti, rondelle di feltro, perni di aggancio, ventole dei soffiatori, tubi di soffiatori e aspiratori, sacchetti e cinghie per aspirapolvere, barre guida, catene per seghe, tubi, raccordi di connessione, ugelli di spruzzo, ruote, erogatori, bobine interne ed esterne, linee di taglio, candele, filtri dell'aria, filtri del gas, lame per mulching ecc.
- Per la manutenzione il prodotto dev'essere spedito o portato presso uno dei centri assistenza autorizzati RYOBI elencati per ogni paese nel seguente elenco di indirizzi dei centri. In alcuni paesi il rivenditore locale RYOBI si incarica di inviare il prodotto all'organizzazione di assistenza RYOBI. Quando si invia un prodotto a un centro assistenza RYOBI, imballarlo in modo sicuro senza contenuti pericolosi come la benzina, apporre l'indirizzo del mittente e accompagnarlo da una breve descrizione del guasto.
- La riparazione/sostituzione ai sensi della presente garanzia è gratuita. Non costituisce un prolungamento o un nuovo inizio del periodo di garanzia. Le parti o gli utensili scambiati diventano di nostra proprietà. In alcuni paesi i costi di consegna o di spedizione postale devono essere pagati dal mittente. I diritti di legge derivanti dall'acquisto dell'utensile rimangono inalterati.
- La presente garanzia è valida in Unione Europea, Svizzera, Islanda, Norvegia, Liechtenstein, Turchia e Russia. Al di fuori di tali aree contattare il rivenditore autorizzato RYOBI per sapere se è valida un'altra garanzia.

CENTRO SERVIZI AUTORIZZATO

Per individuare il più vicino centro servizi autorizzato, visitare il sito <http://it.ryobitools.eu/header/service-and-support/service-agents>.

NL RYOBI® GARANTIEVOORWAARDEN

Naast de wettelijke rechten die voortvloeien uit de aankoop, wordt dit product gedekt door een garantie, zoals hieronder staat vermeld.

- De garantietermijn voor consumenten bedraagt 24 maanden en gaat in op de datum waarop het product is gekocht. Deze datum moet worden gedocumenteerd met een factuur of een ander aankoopbewijs. Het product is uitsluitend ontworpen en bedoeld voor persoonlijk gebruik door consumenten. Er wordt dus geen garantie gegeven voor professioneel of commercieel gebruik.
- Voor een deel van ons aanbod van tuingeredschappen (AC/DC) is het mogelijk om de garantietermijn te verlengen over de boven beschreven termijn, met behulp van de website www.ryobitools.eu. De gereedschappen die in aanmerking komen voor de verlenging van de garantietermijn wordt duidelijk weergegeven in winkels en/of verpakkingen en staat beschreven in de productdocumentatie. De eindgebruiker moet zijn/haar nieuw gekochte gereedschappen binnen 30 dagen na aankoop online registreren. De eindgebruiker kan zich registreren voor de verlengde garantietermijn als zijn woonland staat vermeld op het online registratieformulier waar deze optie geldig is. Bovendien moeten eindgebruikers toestemming geven voor de opslag van de gegevens die online ingevuld moeten worden en moeten ze de algemene voorwaarden accepteren. Het ontvangstbewijs van de registratie, dat per e-mail wordt verzonden en de oorspronkelijke factuur met de aankoopdatum vormt het bewijs van de verlengde garantietermijn.
- De garantie dekt tijdens de garantietermijn alle gebreken van het product vanwege defecten in vakmanschap of materiaal op de aankoopdatum. De garantie is beperkt tot reparatie en/of vervanging en bevat geen andere verplichtingen, waaronder maar niet beperkt tot incidentele of gevolgschade. De garantie is niet geldig als het product is misbruikt, in strijd met de gebruiksaanwijzing wordt gebruikt of onjuist is aangesloten. Deze garantie geldt niet voor:
 - alle schade aan het product die het gevolg is van onjuist onderhoud
 - elk product dat is veranderd of aangepast
 - elk product waar de oorspronkelijke identificatie (handelsmerk, serienummer) is beschadigd, gewijzigd of verwijderd
 - alle schade die is veroorzaakt door het niet opvolgen van de gebruiksaanwijzing
 - elk niet-CE-product
 - elk product waar een poging tot reparatie is gedaan door een niet-erkende professional of zonder voorafgaande toestemming door Techtronic Industries.
 - elk product dat is verbonden met een verkeerde voeding (amperage, spanning, frequentie)
 - elk product dat wordt gebruikt met een verkeerd brandstofmengsel (brandstof, olie, oliegehalte)
 - alle schade die is veroorzaakt door externe invloeden (chemisch, fysisch, schokken) of vreemde stoffen
 - normale slijtage van reserveonderdelen
 - ongepast gebruik, overbelasting van het gereedschap
 - gebruik van niet-goedgekeurde accessoires of onderdelen
 - Alle periodieke aanpassingen aan of het onderhoud en reiniging van carburateurs
- Componenten (onderdelen en accessoires) die onderhevig zijn aan natuurlijke slijtage, waaronder maar niet beperkt tot stookknoppen, aandrijfmotoren, koppelingen, messen van hegtrimmers of grasmaaiers, harnas, gaskabel, koolstofborstels, stroomsoenen, tanden, viltringen, koppelingsspannen, blazers, blaas- en zuigbuizen, zuigzakken en-riemen, geleidingsstaven, zaagkettingen, slangen, koppelingen, mondstukken, wielen, spuitsokken, binnenhaspels, buitenhaspels, snijdraden, bougies, luchtfilters, gasfilters, maaimessen, etc.
- Voor onderhoud moet het product worden verzonden of gebracht naar een erkend servicestation van RYOBI die voor elk land staan vermeld in de volgende lijst met adressen voor servicestations. In sommige landen zal uw lokale RYOBI-dealer het product verzenden naar de RYOBI-serviceorganisatie. Wanneer u het product naar een servicestation van RYOBI verzendt, moet het product veilig worden verpakt zonder enige gevaarlijke inhoud, zoals benzine, met het adres van de afzender en vergezeld van een korte beschrijving van het defect.
- Een reparatie/vervangings die onder deze garantie valt is gratis. Het vormt geen verlenging of een nieuwe start van de garantietermijn. Verwisselde onderdelen of gereedschappen worden ons eigendom. In sommige landen moeten de verzendkosten door de afzender worden betaald. Uw wettelijke rechten die voortvloeien uit de aankoop van het gereedschap blijven onaangetast.
- Deze garantie is geldig in de Europese Gemeenschap, Zwitserland, IJsland, Noorwegen, Liechtenstein, Turkije en Rusland. Buiten deze gebieden moet u contact opnemen met uw erkende RYOBI-dealer om vast te stellen of er een andere garantie van toepassing is.

GEAUTORISEERD ONDERHOUDSCENTRUM

Om een geautoriseerd onderhoudscentrum in uw buurt te vinden, surf u naar <http://nl.ryobitools.eu/header/service-and-support/service-agents>.

PT CONDIÇÕES DE APLICAÇÃO DA GARANTIA RYOBI®

Para além de quaisquer direitos previstos por lei resultantes da compra, este produto está coberto por uma garantia conforme descrição abaixo.

1. O período da garantia é de 24 meses para consumidores particulares e inicia-se na data de compra do produto. Esta data tem de ser documentada por uma factura ou por outra prova de compra. O produto foi concebido para e destina-se apenas a consumidores particulares e uso privado. Assim, não é dada garantia em caso de utilização por profissionais ou uso comercial.
2. Para uma parte da gama de ferramentas de jardim (AC/DC) existe a possibilidade de prolongamento do período da garantia para além do período descrito acima, mediante registo no Web site www.ryobitools.eu. A elegibilidade das ferramentas para prolongamento do período da garantia é claramente visível nas lojas e/ou nas embalagens e está contida na documentação do produto. O utilizador final tem de fazer o registo online das suas ferramentas recém-adquiridas no prazo de 30 dias após a data de compra. O utilizador final pode fazer o registo para prolongamento da garantia no seu país de residência, desde que esteja listado no formulário de registo online e para os casos em que esta opção seja válida. Para além disso, os utilizadores finais têm de autorizar o armazenamento dos dados cujo preenchimento lhes for solicitado online e têm de aceitar os termos e as condições. O recibo de confirmação do registo é enviado por e-mail e, em conjunto com a factura original ostentando a data de compra, servirá de prova do prolongamento da garantia.
3. A garantia cobre todos os defeitos do produto durante o período da garantia devidos a defeitos de fabrico ou de material à data da compra. A garantia está limitada à reparação e/ou substituição e não inclui quaisquer outras obrigações, incluindo mas não se limitando a, perdas complementares ou indirectas. A garantia não é válida se o produto tiver sido utilizado incorrectamente, utilizado de forma contrária ao Manual de Instruções ou se as respectivas ligações tiverem sido feitas incorrectamente. Esta garantia não se aplica ao seguinte:
 - quaisquer danos ao produto que sejam resultado de manutenção incorrecta
 - qualquer produto que tenha sido alterado ou modificado
 - qualquer produto cujas marcações de identificação de origem (marca comercial, número de série) tiverem sido apagadas, alteradas ou retiradas
 - quaisquer danos causados pelo incumprimento do Manual de Instruções
 - qualquer produto que não seja da Comunidade Europeia
 - qualquer produto ao qual tenha sido feita, ou tentada fazer, uma reparação por outra pessoa que não um profissional habilitado ou sem autorização prévia da Technonic Industries.
 - qualquer produto ligado a uma fonte de alimentação eléctrica incorrecta (Amperes, Voltagem e Frequência)
 - qualquer produto utilizado com uma mistura de combustível incorrecta (combustível, óleo, percentagem de óleo)
 - qualquer dano causado por influências externas (químicas, físicas, impactos) ou substâncias estranhas
 - desgaste e degradação normal de sobresselentes
 - utilização incorrecta, sobrecarga da ferramenta
 - utilização de acessórios ou peças não aprovados
 - quaisquer ajustes periódicos a, ou limpeza de manutenção de, carburadores
 - Componentes (peças e acessórios) sujeitos a desgaste e degradação natural, incluindo mas não se limitando a, manganetas anti-choque, correias de transmissão, embraiagens, lâminas de recortadores de sebes ou corta-relvas, arneses, cabos de acelerador, escovas de carvão, cabos eléctricos, dentes, anilhas de feltro, pinos de engate, ventoinhas do soprador, tubos do soprador e do aspirador, cintas e sacos do aspirador, barras de guia, correntes de serra, mangueiras, peças de ligação, bocais de pulverização, rodas, varinhas de pulverização, bobinas interiores, bobinas exteriores, linhas de corte, velas de ignição, filtros do ar, filtros de gasolina, lâminas trituradoras, etc.
4. Para assistência, o produto tem de ser enviado para, ou apresentado em, um posto de assistência autorizado RYOBI, conforme listado para cada país na lista de moradas de postos de assistência seguinte. Nalguns países, o seu concessionário RYOBI local encarega-se de enviar o produto para a organização de assistência RYOBI. Quando enviar um produto para um posto de assistência RYOBI, o produto deve ser embalado de forma segura, sem conter nenhuns conteúdos perigosos (por exemplo, gasolina), marcado com o endereço do remetente e acompanhado por uma breve descrição da avaria.
5. Uma reparação/substituição ao abrigo desta garantia é gratuita. Não constitui um prolongamento a, nem um novo início de, o período da garantia. As peças ou ferramentas substituídas tornam-se propriedade nossa. Nalguns países, o remetente terá de pagar os custos de entrega ou a remessa postal. Os seus direitos previstos por lei resultantes da compra da ferramenta mantêm-se inalterados
6. Esta garantia é válida na Comunidade Europeia, Suíça, Islândia, Noruega, Liechtenstein, Turquia e Rússia. Fora destas áreas, entre em contacto com o seu concessionário autorizado RYOBI para determinar se existe outra garantia aplicável.

CENTRO DE ASSISTÊNCIA AUTORIZADO

Para encontrar um centro de assistência autorizado próximo de si, visite <http://pt.ryobitools.eu/header/service-and-support/service-agents>.

DA RYOBI® BETINGELSER FOR GARANTI

Udover lovbestemte rettigheder, som resulterer af købet, er dette produkt dækket af en garanti, som anføres herunder.

1. Garantiperioden er 24 måneder for forbrugere og begynder på den dato, som produktet blev købt. Denne dato skal dokumenteres af en faktura eller andet bevis for køb. Produktet er udelukkende designet og dedikeret til forbrugere og privat brug. Så der ydes ingen garanti til tilfældige af professionelle eller kommerciel brug.
2. Der er en mulighed for at forlænge garantiperioden for en del af udvalget af haveværktøj (AC/DC), hen over den ovenfor beskrevne periode vha. registrering på hjemmesiden www.ryobitools.eu. Berettigelsen af værktøjet til forlængelse af garantiperioden er tydeligt vist i butikker og/eller på emballage/og indeholdt i produktokumentationen. Slutbruger skal registrere hans/hendes nyligt indkøbte værktøj online indenfor 30 dage efter købsdatoen. Slutbruger kan registrere sig for den forlængede garanti i sit land, hvis han/hun er opført på den online registreringsformular, hvor denne mulighed er gyldig. Derudover skal slutbrugere give deres samtykke til at opbevare data, som er påkrævet til indtaste online, og de er nødt til at acceptere vilkår og betingelser. Registreringsbekræftelseskvitteringen, som sendes ud på e-mail, og den originale faktura, som viser købsdatoen, vil fungere som bevis for den forlængede garanti.
3. Garantien dækker alle defekter, som et produkt måtte have i løbet af garantiperioden, og som skyldes produktionsfejl eller materialefejl på købsdatoen. Garantien er begrænset til reparation og/eller udskiftning og inkluderer ikke andre forpligtelser, inklusiv men ikke begrænset til tilfældige skader eller følgeskader. Garantien er ugyldig, hvis produktet er blevet misbrugt, brugt uden at overholde vejledningen, eller det er blevet forkert tilslettet. Denne garanti gælder ikke:
 - Beskadigelse af produktet, som er et resultat af uegnet vedligeholdelse
 - Et produkt der er blevet ændret eller modificeret
 - Et produkt hvor de originale identifikationsmærkninger (varemærke, serienummer) er blevet ødelagt, ændret eller fjernet.
 - Enhver beskadigelse forårsaget af manglende overholdelse af vejledningen
 - Ethvert ikke CE-produkt
 - Ethvert produkt som er blevet forårsaget af en ukvalificeret professionel eller uden tidligere foranstaltning af Technonic Industries.
 - Ethvert produkt som er tilslettet uegnet strømforsyning (ampere, spænding, frekvens)
 - Ethvert produkt som bruges med uegnet brændstoftilblanding (brændstof, olie, procentdel olie)
 - Enhver skade forårsaget af ekstern påvirkning (kemisk, fysisk, chok) eller fremmedelementer
 - Normal slid på reservedele
 - Uegnet brug, overbelastning af værktøjet
 - Brug af ikke-godkendt tilbehør eller dele
 - Alle regelmæssige justeringer eller vedligeholdelsesrengøring af karburatorer
 - Komponenter (dele og tilbehør) som er udsat for naturlig slid og ælde, inklusiv men ikke begrænset til drejeknapper, drivrem, greb, klinger til hæktrimmere eller plæneklippere, sele, kabel gasspjæld, kulbørster, elledning, tænder, filtskiver, ophængstapper, blæserventilatorer, blæser- og sugeslanger, sugepose og stropper, styrestænger, savkæder, slanger, forbindelsespakninger, sprøjtedyser, hjul, sprøjtestave, indvendige ruller, udvendige ruller, udvendige spoler, skærelinjer, tændrør, luftfilter, gasfilter, tildækningsblade etc.
4. For eftersyn skal produktet sendes til eller præsenteres for en RYOBI-autoriseret service værksted, som er oplyst for hvert land i den følgende liste over service værksted adresser. I nogle lande påtager din lokale RYOBI-forhandler sig ansvaret for at sende produktet til RYOBI-serviceorganisationen. Når et produkt sendes til en RYOBI-service værksted, skal det pakkes sikkert ind uden noget farligt indhold som benzin, mærkes med afsenderens adresse og med en kort beskrivelse af fejlen.
5. En reparation/erstatning under denne garanti er gratis. Den udgør ikke en forlængelse eller en ny start på garantiperioden. Uvedlejede dele eller værktøjer bliver vores ejendom. I nogle lande skal leveringsafgifter eller porto betales af afsenderen. Dine lovbestemte rettigheder i forbindelse med købet forbliver uanfægtede
6. Denne garanti gælder i EU, Schweiz, Island, Norge, Liechtenstein, Tyrkiet og Rusland. Udenfor disse områder bedes du kontakte din autoriserede RYOBI-forhandler for at afgøre, om en anden garanti gælder.

AUTORISEREDE SERVICEVÆRKSTEDER

Find nærmeste autoriserede serviceværksted på <http://dk.ryobitools.eu/header/service-and-support/service-agents>.

SV RYOBI® ANVÄNDNINGSVILLKOR FÖR GARANTI

Förutom eventuella lagstadgade rättigheter som uppstår genom köpet, täcks den här produkten av en garanti som anges nedan.

- Garantiperioden är 24 månader för konsumenter och börjar gälla från det datum då produkten köptes. Detta datum måste dokumenteras på en faktura eller annat köpbevis. Produkten är utformad och avsedd för konsumenter och privat bruk. Därmed tillhandahålls ingen garanti vid yrkesmässigt eller kommersiellt bruk.
- Det finns möjlighet att förlänga garantiperioden för en del av utbudet för trädgårdsverktyg (AC/DC) under den period som anges ovan genom att använda registreringen på webbplatsen www.ryobitools.eu. De verktyg som är berättigade till en förlängning av garantiperioden visas tydligt i butik och/eller på förpackningen och anges i produktokumentationen. Slutanvändaren behöver registrera hans/hennes nyförvävade verktyg online inom 30 dagar från köpdatumet. Slutanvändaren kan registrera sig för den förlängda garantin i det land där han/hon bor om landet finns angivet i registreringsformuläret online och där detta alternativ är giltigt. Dessutom måste slutanvändaren ge sitt medgivande till lagring av data vilket krävs vid registrering online samt acceptera villkoren. Bekräftelsekvittot för registreringen som skickas ut via e-post och originalfakturan som visar köpdatumet kommer att gälla som bevis för den förlängda garantin.
- Garanti täcker alla produktdefekter under garantiperioden som beror på brister i utförande eller material vid köpdatumet. Garantin är begränsad gällande reparation och/eller utbyte och inkluderar inte några skyldigheter inklusive men inte begränsat till oförutsedda skador eller följdskador. Garantin är inte giltig om produkten har missbrukats, använts i strid med bruksanvisningen eller inte anslutits på rätt sätt. Denna garanti täcker inte:
 - eventuella skador på produkten som uppstått till följd av felaktigt underhåll
 - produkter som har ändrats eller modifierats
 - produkter där ursprungliga identifieringsmärkningarna (varumärke, serienummer) har målats över, ändrats eller tagits bort
 - eventuella skador som uppstått till följd av att bruksanvisningen inte efterföljts
 - alla icke CE-produkter
 - eventuella produkter som har försökts repareras av en icke-kvalificerad yrkesman eller utan föregående medgivande från Techtronic Industries.
 - eventuella produkter som anslutits till felaktig strömförsörjning (ampere, volt, frekvens)
 - eventuella produkter som använts med olämplig bränsleblandning (bränsle, olja, oljeprocent)
 - eventuella skador som uppstått till följd av yttre påverkan (kemisk, fysisk, stöt) eller främmande ämnen
 - normalt slitage av reservdelar
 - olämplig användning, överbelastning av verktyget
 - användningen av icke-godkända tillbehör eller delar
 - Eventuella periodiska justeringar av eller vid underhållsrengöring av förgasare
 - Komponenter (delar och tillbehör) är föremål för naturligt slitage, inklusive men inte begränsat till tryckknappar, drivremmar, koppling, blad till kantrimrar eller gräsklippare, sele, gasreglagevajer, kolborstar, strömsladd, spetsar, filtbrickor, kopplingsprint, blåsfäkt, blås- och sugrör, sugpåse och remmar, styrskenor, sägkedjor, slangar, anslutningsdonördel, spraymunstycken, hjul, spraystavar, innerrullar, ytterspolar, skärtråd, tändstift, luftfilter, gasfilter, sönderdelningsblad osv.
- Vid service måste produkten skickas eller uppvisas för en RYOBI- auktoriserad servicestation som står angiven för varje land i följande adresslista över servicestationer. I vissa länder tar din lokala RYOBI- återförsäljare på sig ansvaret att skicka produkten till RYOBI- serviceorganisationen. När en produkt skickas till en RYOBI-servicestation, ska produkten paketeras säkert utan något farligt innehåll såsom bensin, markeras med avsändarens adress samt en kort beskrivning av felet.
- En reparation/ett utbyte under denna garanti är kostnadsfri. Det utgör inte en förlängning eller förnyelse av garantiperioden. Utbyta delar eller verktyg blir vår egendom. I vissa länder måste leveranskostnader eller porto betalas av avsändaren. Dina lagstadgade rättigheter som härrör från köpet av verktyget förblir opåverkade
- Denna garanti är giltig i Europeiska gemenskapen: Schweiz, Island, Norge, Liechtenstein, Turkiet och Ryssland. Utanför dessa länder, kontakta din auktoriserade RYOBI-återförsäljare för att avgöra om en annan garanti gäller.

AUKTORISERAT SERVICECENTER

Du hittar närmaste auktoriserade servicecenter genom att gå till <http://se.ryobitools.eu/header/service-and-support/service-agents>.

FI RYOBI®-TAKUUN SOVELTAMISEHDOT

Tällä tuotteella on oston luomien lakisäasteiden oikeuksien ohella alla mainitun mukainen takuu.

- Takuun kesto on kuluttajille 24 kuukautta ja takuuaika alkaa tuotteen ostohetkestä. Tämän päivämäärän tulee lukea laskussa tai muussa ostositotteesta. Tuote on suunniteltu ja tarkoitettu vain kuluttajien ja yksityiseen käyttöön. Takuu ei siis kata ammatti- eikä kaupallista käyttöä.
- Joidenkin puutarhatyökalujen (AC/DC) takuun kesto on mahdollista laajentaa yllä mainittua kestoä pidemmäksi verkkosivuston www.ryobitools.eu rekisteröinnin kautta. Työkalujen kelpoisuus takujakson laajennukseen näkyy selkeästi myymälöissä ja/tai pakkaussissa ja/tai tämä tieto sisältyy tuotedokumentaatioon. Loppukäyttäjän täytyy rekisteröidä vasta hankittu työkalu internetissä 30 päivän kuluessa ostopäivämäärästä. Loppukäyttäjän voi rekisteröidä laajennetun takuun kotimaassaan, jos se on luettuna online-rekisteröintilomakkeessa, jossa mainitaan, missä tämä vaihtoehto on voimassa. Loppukäyttäjien täytyy lisäksi hyväksyä tietojen tallennus, jotka heidän täytyy antaa online-tilassa sekä ehdot. Rekisteröinnin vahvistuskuitti, joka lähetetään sähköpostitse, ja alkuperäinen ostopäivämäärän ilmaiseva lasku toimivat laajennetun takuun tositteina.
- Takuu kattaa kaikki tuotteen takuuaikana tulevat viat, joiden aiheuttajina ovat tuotteen ostopäivän olleet valmistus- tai materiaali viat. Takuu on rajoitettu korjaukseen ja/tai vaihtoon eikä se sisällä mitään muita velvoitteita mukaan lukien satunnais- ja seurannaisvahinkoja, mutta rajoittumatta niihin. Takuu ei päde, jos tuotetta on käytetty väärin, käyttöohjeen vastaisesti tai jos se on liitetty virheellisesti. Tämä takuu ei kata:
 - virheellisesti huolosta johtuvia vaurioita
 - muunnettua tai muutettua tuotetta
 - tuotetta, jonka alkuperäiset tunnistemerkinnät (tavaramerkki, sarjanumero) on turmeltu, muutettu tai poistettu
 - tämän käyttöoppaan laiminlyönnistä johtuvia vaurioita
 - ei-CE-tuotetta
 - tuotetta, jota on yrittänyt korjata epäpätevä ammattilainen tai joka on korjattu ilman Techtronic Industrien ennakkolupaa.
 - tuotetta, joka on liitetty virheelliseen teholahteeseen (ampeirit, jännite, taajuus)
 - tuotetta, jossa on käytetty väärää polttoaineseosta (polttoaine, öljy, öljyprosentti)
 - ulkoisten vaikutusten (kemiallinen, fyysinen, iskut) tai vieraiden aineiden aiheuttamaa vauriota
 - normaaleja kuluvia varaosia
 - virheellistä käyttöä, työkalun ylikuormitusta
 - ei-hyväksytytjen tarvikkeiden tai osien käyttöä
 - Kaasutinten säännöllistä säätöä tai ylläpitävää puhdistusta
 - Luonnollisesti kuluvia komponentteja (osia tai tarvikkeita), joihin sisältyvät puskunupit, käyttöihinat, kytkin, pensasleikkuriin tai ruohonleikkuriin terät, valjaat, kaasuvaijeri, hiiharijat, virtajohto, piikit, huopatiivisteet, sokkakatit, puhallinten tuuletimet, puhallin- ja imuputket, imuriin säkit ja hinnat, terälevyt, sahankeijut, letkut, liitososat, suihkusuuttimet, pyörät, ruiskutusputket, sisä- ja ulkokelat, leikkuusiimat, hehkutulpat, ilmansuodattimet, kaasusuodattimet, silppuperät yms. näihin kuitenkin rajoittumatta.
- Tuote on lähetettävä huollettavaksi valituttuun RYOBI-huoltoon tai näytettävä silleä. Niiden osissa kussakin maassa löytyvät seuraavasta luettelosta. Joissakin maissa paikallinen RYOBI-jälleenmyyjä huolehtii tuotteen lähetyksestä RYOBI-huolto-organisaatioon. Kun tuote lähetetään RYOBI-huoltoon, se täytyy pakata hyvin ilman vaarallisia aineita, kuten polttoainetta, ja pakkaukseen täytyy merkitä lähettäjän nimi sekä vian lyhyt kuvaus.
- Takuun kattama korjaus/vaihto on maksuton. Se ei tarkoita takuuaajan laajennusta tai alkamista alusta. Vaihdetut osat tai työkalut siirtyvät valmistajan omistukseen. Joissakin maissa lähettäjän täytyy maksaa lähetyskustannukset tai postikulut. Työkalun oston luomat lakisäasteiset oikeudet pysyvät koskemattomina
- Tämä takuu on voimassa Euroopan yhteisössä, Sveitsissä, Islannissa, Norjassa, Liechtensteinissa, Turkissa ja Venäjällä. Ota näiden alueiden ulkopuolella yhteyttä omaan valituttuun RYOBI-jälleenmyyjään ja selvitä, onko jotain muuta takuuta.

VALTUUTETTU HUOLTO

Voit etsiä lähimmän valituttuun huoltoon sivulta <http://fi.ryobitools.eu/header/service-and-support/service-agents>.

NO RYOBI® GARANTIBETINGELSER

I tillegg til eventuelle lovbestemte rettigheter som følger av kjøpet, er dette produktet dekket av en garanti som angitt nedenfor.

- Garantiperioden er 24 måneder for konsumenter og gjelder fra den datoen som produktet ble kjøpt. Denne datoen skal dokumenteres med en faktura eller annet kjøpsbevis. Produktet er designet og beregnet kun til konsument- og privat bruk. Så det gis ingen garanti ved profesjonell eller kommersiell bruk.
- For en del av utvalget av hageverktøy (AC/DC) er det mulighet til å utvide garantiperioden i den perioden som er beskrevet ovenfor ved bruk av registreringene på nettstedene www.ryobitools.eu. Kvalifiseringen av verktøyene for en utvidelse av garantiperioden er tydelig vist i butikker og 7eller på pakningen / og finnes innen produktdokumentasjonen. Sluttbrukeren må registrere sine nylig anskaffede verktøy online innen 30 dager etter kjøpsdato. Sluttbrukeren kan registrere seg for den utvidede garantien i sitt land hvis det er opplistet på online registreringsskjemaet der dette alternativet er gyldig. Videre må sluttbrukere gi sitt samtykke til oppbevaring av dataene som kreves for å gå online, og de må godta vilkår og betingelser. Registreringsbekreftelsen, som sendes ut på e-post, og den originale fakturaen som viser kjøpsdato, vil tjene som bevis for den utvidede garantien.
- Garantien dekker alle defekter i produktet under garantiperioden på grunn av defekter i uforfædte eller materiale på kjøpsdato. Garantien er begrenset til å reparere og/eller erstatte og inkluderer ikke noen andre forpliktelse, inkludert, men ikke begrenset til, tilfeldige eller følgesmessige skader. Garantien er ikke gyldig hvis produktet har blitt misbrukt, brukt på annen måte enn det som beskrives i bruksanvisningen eller er koblet til på feil måte. Denne garantien gjelder ikke for:
 - enhver skade på produktet som er resultat av utilstrekkelig vedlikehold
 - ethvert produkt som har blitt endret eller modifisert
 - ethvert produkt der de originale identifiseringsmerkene (varemerke, serienummer) har blitt uleselig, er endret eller fjernet
 - enhver skade som forårsakes av ikke-overholdelse av instruksjonshåndboken
 - ethvert ikke-CE-produkt
 - ethvert produkt som har blitt forsøkt reparert eller av en ikke-kvalifisert fagperson eller uten tidligere autorisasjon fra Techntron Industries.
 - ethvert produkt tilkoblet feil strømforsyning (ampere, spenning, frekvens)
 - ethvert produkt som brukes med feil drivstoffblanding (drivstoff, olje, prosentandel olje)
 - enhver skade som er forårsaket av eksterne påvirkninger (kjemiske, fysiske, støt) eller fremmede stoffer
 - normal slitasje og sliteserivedeler
 - feil bruk, overbelastning av verktøyet
 - bruk av ikke-godkjent tilbehør eller deler
 - Eventuelle periodiske justeringer av eller vedlikeholdsrengjøring av forbrennere
 - Komponenter (deler og tilbehør) som er underlagt naturlig slitasje, inkludert, men ikke begrenset til bulkknott, drivreimer, clutch, blader på hektrimmere eller gressklippere, seler, kabelspjeld, karbonbørster, strømledning, kniver, feltpakninger, heispinner, blåsevifter, blåse- og vakuumslangler, vakuumpose og reimer, førerstenger, sagkjeder, strøpmer, koblingsmonteringer, spraydyser, hjul, spraystenger, indre spoler, ytre spoler, kuttelinjer, tennplugger, luftfilter, gassfilter, mulchingblader osv.
- For service må produktet sendes eller fremlegges for en RYOBI-autorisert servicestasjon opplistet for hvert land i den følgende listen over servicestasjonsadresser. I noen land sender den lokale RYOBI-forhandleren produktet til RYOBI serviceorganisasjonen. Ved å sende et produkt til en RYOBI servicestasjon skal produktet være sikkert pakket uten noe farlig innhold, slik som bensin, merket med senderens adresse og fulgt av en kort beskrivelse av feilen.
- En reparasjon/erstatning under denne garantien er gratis. Den utgjør ingen forlengelse eller en ny start av garantiperioden. Utvekslede deler eller verktøy blir vår eiendom. I noen land vil leveringskostnader eller franking måtte betales av senderen. Dine lovbestemte rettigheter som oppstår fra kjøp av verktøyet forblir uberørt.
- Denne garantien er gyldig i EU, Sveits, Island, Norge, Liechtenstein, Tyrkia og Russland. Utenfor disse områdene ta kontakt med din autoriserte RYOBI-forhandler om en annen garanti gjelder.

AUTORISERT SERVICESENTER

For å finne et autorisert servicecenter i nærheten, gå til <http://no.ryobitools.eu/header/service-and-support/service-agents>.

RU УСЛОВИЯ ПРИМЕНЕНИЯ ГАРАНТИИ НА ПРОДУКЦИЮ RYOBI®

Помимо законных прав, возникающих при покупке, данное изделие покрывается гарантией в соответствии с приведенными ниже пунктами.

- Гарантийный период для покупателя составляет 24 месяца с даты покупки изделия. Дата покупки должна быть подтверждена полностью заполненным гарантийным талоном и чеком о покупке. Данное изделие предназначено только для частного использования покупателем. Поэтому гарантия не распространяется на использование в профессиональных или коммерческих целях.
- Предусмотрена возможность продления для части изделий линейки садовых инструментов (AC/DC) гарантийного периода с помощью регистрации на сайте www.ryobitools.eu. Право инструмента на продление гарантийного периода четко указано в магазинах и / или на упаковке / и содержится в сопутствующей инструменту документации. Конечный пользователь должен зарегистрировать свой приобретенный инструмент в течение 30 дней с даты покупки. Конечный пользователь может зарегистрировать свой инструмент на продление гарантии в стране своего проживания, если она указана в форме онлайн-регистрации. Кроме того, конечный пользователь должен дать свое согласие на хранение данных, которое необходимо ввести в онлайн-форму и принять правила и условия. Подтверждение регистрации, которое вы получите по электронной почте, заполненный гарантийный талон и оригинальный чек, в котором указана дата покупки, будут служить доказательством продленной гарантии.
- Гарантия покрывает в течение гарантийного периода все дефекты качества или материала изделия на дату покупки. Гарантия ограничена ремонтом и / или заменой и не включает никакие другие обязательства, включая, но не ограничиваясь случайными или косвенными убытками. Гарантия становится недействительной, если изделие использовалось не по назначению, вопреки инструкциям, данным в Руководстве пользователя или было неправильно подключено. Настоящая гарантия не распространяется на:
 - любые повреждения изделия в результате неправильного технического обслуживания или недостаточного ухода за инструментом
 - любые изделия, подвергшиеся изменениям и модификации
 - любые изделия, оригинальные идентификационные отметки которого (торговая марка, серийный номер) были повреждены, изменены или удалены
 - любые повреждения, вызванные несоблюдением инструкций Руководства пользователя
 - любые изделия, не сертифицированные маркировкой "CE" для продажи в Европейском союзе
 - любые изделия, подвергшиеся попыткам ремонта невалифицированным работником или без предварительного утверждения компании Techntron Industries.
 - любые изделия, подключенные к неправильному источнику питания (сила тока, напряжение, частота)
 - любые изделия, в которых использовались несоответствующие топливные смеси (топливо, масло, процент масла)
 - любые повреждения, вызванные внешними воздействиями (химические, физические, удары) или посторонними веществами
 - естественный износ запасных деталей
 - несоответствующее использование, перегрузка инструмента
 - использование неутвержденных аксессуаров и неоригинальных запасных деталей
 - любые регулярные регулировки, техническое обслуживание или чистка карбюраторов
 - компоненты (детали и аксессуары), подверженные естественному износу, включая, но не ограничиваясь фиксаторы шпильки приводные ремни, ценные муфты, лезвия триммеров и газонокосилок, плечевые ремни, кабельный дроссельный регулятор, угольные щетки, кабели питания, зубья, войлочные шаблы, фиксирующие шпильки, вентиляторы воздуходувки, трубки воздуходувки и пылесоса, мешок для сбора мусора и ремни, пыльные шины, пыльные цепи, шланги, соединительные детали, распылительные насадки, колеса, распылительные переходники, внутренние катушки и шпильки, режущую леску, свечи зажигания, воздушные и топливные фильтры, мульчирующие лезвия и др.
- Для проведения технического обслуживания изделие следует направлять в авторизованные сервисные центры RYOBI, указанные для каждой страны в приведенном ниже списке адресов станций сервисного обслуживания. В некоторых странах местные дилеры RYOBI отправляют изделия в сервисные организации RYOBI. При отправке изделия в сервисный центр RYOBI, изделие должно быть безопасно упаковано и не содержать никаких опасных веществ, таких как бензин, должен быть подписан адрес отправителя и сопровождаться кратким описанием неисправности.
- Ремонт / замена проводится в рамках настоящей гарантии бесплатно. Он не продлевает гарантию и не начинает новый гарантийный период. Заменяемые детали и инструменты становятся нашей собственностью. В некоторых странах отправитель должен оплачивать стоимость отправки. Ваши законные права, возникающие при покупке инструмента, остаются неизменными
- Данная гарантия действительна в Европейском Сообществе, Швейцарии, Исландии, Норвегии, Лихтенштейне, Турции и России. Вне указанных территорий обращайтесь к своему авторизованному дилеру RYOBI, чтобы узнать, применяются ли условия каких-либо других гарантий.

УПОЛНОМОЧЕННЫЙ СЕРВИСНЫЙ ЦЕНТР

Чтобы найти ближайший уполномоченный сервисный центр, обратитесь к веб-сайту <http://ru.ryobitools.eu/header/service-and-support/service-agents>.

PL WARUNKI GWARANCJI RYOBI®

Oprócz praw ustawowych wynikających z zakupu produkt jest objęty gwarancją, której warunki podano poniżej.

- Okres gwarancyjny wynosi 24 miesiące dla konsumentów i rozpoczyna się w dniu zakupu produktu. Datę zakupu należy udokumentować fakturą lub innym dowodem zakupu. Produkt został zaprojektowany i jest przeznaczony do użytku konsumenckiego i prywatnego. W związku z tym gwarancja nie obejmuje zastosowań profesjonalnych i komercyjnych.
- Istnieje możliwość wydłużenia okresu gwarancyjnego dla części asortymentu narzędzi ogrodniczych (AC/DC) poprzez zarejestrowanie produktu na stronie internetowej www.ryobitools.eu. Kwalifikowalność narzędzi do wydłużenia okresu gwarancyjnego jest wyraźnie określona w sklepach i/lub na opakowaniu oraz w dokumentacji produktu. Użytkownik końcowy musi zarejestrować nowo kupione narzędzia online w ciągu 30 dni od daty zakupu. Użytkownik końcowy może zarejestrować się w celu przedłużenia gwarancji w swoim kraju zamieszkania, jeżeli jest on wymieniony w formularzu rejestracji online, gdzie opcja ta obowiązuje. Ponadto użytkownicy końcowi muszą wyrazić zgodę na przechowywanie danych, wprowadzanych na stronie internetowej i zaakceptować regulamin. Dowodem wydłużenia gwarancji jest wysłane pocztą elektroniczną potwierdzenie rejestracji i oryginalny formularz potwierdzający datę zakupu.
- Gwarancja obejmuje wszystkie wady produktu ujawnione w okresie gwarancyjnym wynikające usterki wykonania lub materiału obecnego w dniu zakupu. Gwarancja jest ograniczona do naprawy i/lub wymiany i nie obejmuje żadnych innych zobowiązań, w tym między innymi odpowiedzialności za szkody przypadkowe lub wtórne. Gwarancja nie obowiązuje, jeżeli produkt był nieprawidłowo używany, używany niezgodnie z instrukcją lub nie był prawidłowo podłączony. Gwarancja nie obejmuje:
 - uszkodzenia produktu wynikającego z nieprawidłowej konserwacji,
 - produktu, który został zmieniony lub zmodyfikowany,
 - produktu, którego oryginalne oznaczenie (znak towarowy, numer seryjny) zostało zniszczone, zmienione lub usunięte,
 - jakichkolwiek uszkodzeń wynikających z nieprzestrzegania instrukcji,
 - jakiegokolwiek produktu bez certyfikatu CE,
 - jakiegokolwiek produktu, który próbowano naprawiać z pomocą niewykwalifikowanej osoby lub bez uzyskania wcześniejszej zgody firmy Techtronic Industries.
 - jakiegokolwiek produktu podłączonego nie nieprawidłowego źródła zasilania (nieprawidłowe napięcie prądu, napięcie, czystość),
 - jakiegokolwiek produktu, który był używany z nieprawidłową mieszanką paliwową (paliwo, olej, procentowy udział oleju),
 - jakichkolwiek uszkodzeń spowodowanych wpływem czynników zewnętrznych (chemicznych, fizycznych, drgań) lub substancji obcych,
 - normalnego zużycia części zamiennych,
 - nieprawidłowego użycia, przeciążenia narzędzia,
 - stosowania niezatwierdzonych akcesoriów lub części,
 - jakichkolwiek okresowych regulacji lub czyszczenia gaźników w ramach konserwacji
 - elementów (części i akcesoriów) podlegających naturalnemu zużyciu, obejmujących, między innymi, kopułki do zwalniania żyłki, pasy napędowe, sprężelno, ostrza przycinarek do żywoptłotów lub kosiarzek do trawy, uprząż, przepustnicę linkową, szcztolki węglowe, przewód zasilania, zęby, podkładki filcowe, kołki podnośnika, wentylatory dmuchawy, rury nadmuchowe i ssawne, worek na śmieci i paski, prowadnice, łańcuchy piły, węże, mocowanie złącz, dysze natryskowe, koła, opręty natryskowe, szpule wewnętrzne, szpule zewnętrzne, filtry gaza, złącza do ściołkowania itp.
- W celu serwisowania produkt należy wysłać lub okazać w autoryzowanym punkcie serwisowym RYOBI znajdującym się na przedstawionym poniżej wykazie punktów serwisowych w poszczególnych krajach. W niektórych krajach lokalny dystrybutor produktów RYOBI podejmuje się wysyłki produktu do centrum serwisowego RYOBI. W przypadku wysyłki do punktu serwisowego RYOBI produkt — pozbawiony jakichkolwiek niebezpiecznych substancji, na przykład benzyny — należy bezpiecznie zapakować i dołączyć adres nadawcy oraz krótki opis usterki.
- Naprawa/wymiana w ramach niniejszej gwarancji jest bezpłatna. Nie stanowi jednak o przedłużeniu lub rozpoczęciu od nowa biegu okresu gwarancyjnego. Wymienione części lub narzędzia stają się naszą własnością. W przypadku niektórych krajów nadawca będzie musiał uregulować koszty dostawy lub opłaty pocztowe. Prawa ustawowe wynikające z zakupu narzędzia pozostają niezmienione.
- Niniejsza gwarancja obowiązuje w Unii Europejskiej, Szwajcarii, Islandii, Norwegii, Liechtensteinie, Turcji i Rosji. Poza tymi obszarami należy skontaktować się z autoryzowanym dostawcą produktów RYOBI i ustalić, czy obowiązuje inna gwarancja.

AUTORYZOWANY PUNKT SERWISOWY

Najbliższy autoryzowany punkt serwisowy można wyszukać w witrynie internetowej <http://pl.ryobitools.eu/header/service-and-support/service-agents>.

CS ZÁRUČNÍ PODMÍNKY RYOBI®

Kromě zákonných práv vyplývajících z koupě výrobku se na tento výrobek vztahuje také níže uvedené záruka.

- Záruční doba pro spotřebitele je 24 měsíců a začíná datem nákupu výrobku. Datum musí být zaznamenáno na faktuře nebo jiném dokladu o koupi. Tento výrobek je navržen a určen pouze pro soukromé účely spotřebitelů. Záruka se tedy nevztahuje na profesionální nebo komerční využití výrobku.
- U některých zahradních nástrojů (AC/DC) je možné záruční dobu prodloužit. K tomu je nutná registrace na stránkách www.ryobitools.eu. Možnost prodloužené záruční doby výrobků je jasně uvedena v prodejních, popř. na obalech nebo v dokumentech o výrobku. Koncový uživatel musí svůj nový nástroj zaregistrovat online do 30 dnů od data nákupu. Koncový uživatel se může k prodloužené záruční době zaregistrovat v zemi trvalého pobytu, pokud je tato uvedena na internetovém registračním formuláři u výrobku, kde je tato možnost dostupná. Koncoví uživatelé musí dále souhlasit s uložením osobních údajů, která musí zadat na internetu, a přijmout obchodní podmínky. E-mail s potvrzením registrace a původní faktura s datem koupě poslouží jako důkaz o prodloužené záruce.
- Záruka se vztahuje na veškeré vady na výrobku v rámci záruční doby způsobené výrobními vadami nebo vadami materiálu v době koupě. Záruka je omezena na opravu, popřípadě výměnu a nezahrnuje žádné další povinnosti, včetně mimo jiné vedlejších či následných odškodnění. Záruka neplatí při použití výrobku k nevhodným účelům, v rozporu s uživatelskou příručkou nebo při nesprávném zapojení. Záruka se nevztahuje na:
 - veškeré škody na výrobku způsobené nesprávnou údržbou
 - veškeré produkty, které byly pozměněny nebo opraveny
 - veškeré produkty, kde byly původní identifikační prvky (obchodní značka, sériové číslo) poničeny, pozměněny nebo odstraněny
 - veškeré škody způsobené nedodržováním pokynů uživatelské příručky
 - veškeré produkty bez CE certifikace
 - veškeré produkty, které se pokusil opravit nekvalifikovaný odborník nebo opravy bez předchozího svolení společnosti Techtronic Industries.
 - veškeré produkty zapojené do nesprávného elektrického zdroje (proud, napětí, frekvence)
 - veškeré produkty používané s nevhodnou palivovou směsí (paliwo, olej, procento oleje)
 - veškeré škody způsobené externími vlivy (chemickými, fyzickými, nárazy) nebo cizími látkami
 - běžné opotřebování dílů
 - nevhodné použití, přetěžování nástroje
 - použití neschválených příslušenství nebo dílů
 - veškerá pravidelná seřízení nebo čištění v rámci údržby karburátorů
 - komponenty (díly a příslušenství) podléhající opotřebení, včetně mimo jiné nárazových koleček, posuvných pásů, spojek, nožů plotových nůžek a sekaček na trávu, popruhu, plynového lanka, karbonových kartáčů, napájecího kabelu, zubů, plstěných podložek, závěsných kolků, větráků fukaru, trubic fukaru a vysavače, vaku a popruhů vysavače, vodících lišt, pilových řetězů, hadic, konektorů, trysek, kol, stříkacích tyčí, vnitřních cívek, vnějších kotoučů, řezných strun, zapalovacích svíček, vzduchových filtrů, plynových filtrů, mulčovačích nožů atd.
- K provedení servisu musí být výrobek zaslán nebo předán do autorizovaného servisního centra společnosti RYOBI, jejichž adresy jsou uvedeny podle zemi v seznamu servisních center. V některých zemích za vás výrobek pošle servisní organizaci RYOBI sám prodejce výrobků této značky. Při zaslání výrobku do servisního centra RYOBI je potřeba výrobek bezpečně zabalit bez nebezpečného obsahu jako benzín, opatřit adresou odesílatele a připojit krátký popis závady.
- Oprava, popř. výměna v rámci této záruky je zdarma. Neznamená to prodloužení nebo začátek nové záruční lhůty. Vyměněné díly nebo nástroje přejdou do našeho vlastnictví. V některých zemích platí poštovné odesílatele. Vaše zákonná práva vyplývající z koupě tohoto nástroje zůstávají nedotčená.
- Tato záruka platí v Evropském Společenství, Švýcarsku, Norsku, Lichtenštejnsku, Turecku, Rusku a na Islandu. Mimo tato území kontaktujte autorizovaného prodejce značky RYOBI, který zjistí, zda se na výrobek vztahuje jiná záruka.

POVĚŘENÉ SERVISNÍ STŘEDISKO

Pro nalezení nejbližšího pověřeného servisního střediska navštivte <http://cz.ryobitools.eu/header/service-and-support/service-agents>.

HU A RYOBI® GARANCIA ALKALMAZÁSÁNAK FELTÉTELEI

A vásárlásból adódó törvényben rögzített jogok mellett a termékre az alábbi garancia vonatkozik.

1. A fogyasztói garancia tartama 24 hónap, mely a termék vásárlásának napjával kezdődik. Ezt a dátumot számlával vagy a vásárlást igazoló egyéb dokumentummal kell bizonyítani. A termék rendelkezése csak fogyasztói és magáncéllú használat. Ezért professzionális vagy kereskedelmi használat esetén a garancia nem érvényes.
2. A kerti szerszámok (egyenáramú/váltóáramú) egy részénél a garancia időtartama a www.ryobitools.eu weboldalon regisztrálva meghosszabbítható. Az áruházakban, a csomagoláson, illetve a termék dokumentációjában egyértelműen jelezzük, hogy az adott termék garanciája meghosszabbítható-e. A végfelhasználónak a vásárlás dátumától számított 30 napon belül regisztrálnia kell az újonnan vásárolt szerszámot. A végfelhasználó akkor regisztrálhat a kiterjesztett garanciára, ha az ország, ahol lakik, fel van sorolva az online regisztrációs űrlapon azon országok között, ahol választható ez az opció. Ezenkívül a végfelhasználónak bele kell egyeznie az online regisztrálás során szükséges adatok tárolásába, és el kell fogadnia a felhasználási feltételeket. A kiterjesztett garanciát a regisztráció beérkezésétől e-mailben küldött visszaigazolás és a vásárlás dátumát tartalmazó eredeti számla igazolja.
3. A garancia a termék vásárlásakor fennálló, a gyártás során keletkezett hibákra és anyaghibákra érvényes a garanciális időtartamon belül. A garancia csak a javításra/cseréire korlátozódik, és nem terjed ki semmilyen egyéb kötelezettségre, nem kizárólagosan ideértve a véletlen vagy szándékos rongálást. A garancia nem érvényes, ha a terméket nem megfelelően, a használati utasításban foglaltakkal ellentétben, illetve nem megfelelően csatlakoztatva használták. A garancia nem vonatkozik:
 - a terméket a nem megfelelő karbantartás következtében ért károsodásra – megváltoztatott vagy átalakított termékre
 - olyan termékre, melyen az eredeti azonosítókat (védjegy, sorozatszám) megromolták, megváltoztatták vagy eltávolították
 - a használati utasítás be nem tartásából eredő kárra
 - CE jelöléssel nem rendelkező termékekre
 - olyan termékre, melyet nem képzett, illetve a Techtronic Industries által nem feljogosított szerelő javított
 - nem megfelelő (áramerősségű, feszültségű, frekvenciájú) áramforrásra csatlakoztatott termékre
 - nem megfelelő üzemanyag-keverékkel (üzemanyag, olaj, olaj aránya) használt termékre
 - külső (fizikai, utás) hatásokból vagy idegen anyagokból eredő károkra
 - a cserélhető alkatrészek természetes kopására és elhasználódására
 - a szerzőszám helytelen használatára, tültérhelésére
 - nem jóváhagyott tartozékok és alkatrészek használatára
 - A karburátorok rendszeres beállítása, karbantartása, tisztítása
 - A természetes kopásnak és elhasználódásnak kitett alkatrészek és kiegészítők, például (de nem kizárólag) damildobok, ékszíjak, foglalatok, sövényvágók és fűnyírók kése, heveder, gázbowden, szénkefék, tápkábel, kultivátorfogak, ficalátétek, akasztószögek, fűvókészülékek ventilátora, fűvő- és szívócsövek, szívózsák és pántok, terelőrudak, fűrészláncok, tömlők, csatlakozószervevények, permetezőfejek, kerekék, permetezőzsárok, belső dobok, külső csévék, vágódamlok, gyűjtőgyertyák, légszűrők, gázsűrők, mulcsozókések stb.
4. A terméket javításra el kell vinni egy meghatalmazott RYOBI szervizbe; ezeket a egyes országokhoz a következő listában találja. Egyes országokban a helyi RYOBI kereskedő vállalja a termék elszállítását a RYOBI szervizbe. A terméket veszélyes tartalom, például benzín nélkül csomagolva, a feladó címét feltüntetve, a hiba rövid leírásával együtt küldje el a RYOBI szervizbe.
5. A jelen garancia hatálya alatt végzett javítás, illetve csere ingyenes. Nem jelenti a garanciális időtartam újraindulását. A kicserélt alkatrészek és szerszámok a mi tulajdonunkba kerülnek. Egyes országokban a szállítás vagy postázás költségét a feladó viseli. A vevőnek a szerzőszám megvásárlásából adódó törvényes jogai nem változnak.
6. Jelen garancia az Európai Közösségben, Svájcban, Izlandon, Norvégiában, Liechtensteinben, Törökországban és Oroszországban érvényes. E területen kívül kérdezze meg a RYOBI forgalmazót, hogy milyen garancia van érvényben.

HIVATALOS SZERVIZKÖZPONT

A legközelebbi hivatalos szervizközpont megtalálásához látogasson el a <http://hu.ryobitools.eu/header/service-and-support/service-agents>.

RO CONDIȚII DE APLICARE A GARANȚIEI PENTRU PRODUSELE RYOBI®

În plus față de condițiile statutare rezultate din achiziționarea acestui produs, acesta este acoperit de garanția stipulată mai jos.

1. Perioada de garanție este de 24 de luni pentru consumatori și începe de la data achiziționării produsului. Data de începere a garanției trebuie demonstrată cu o factură sau altă dovadă a cumpărării produsului. Produsul este destinat și conceput doar pentru utilizare în scopuri personale. Din acest motiv, nu se oferă garanție pentru utilizarea sa în scop profesional sau comercial.
2. Există posibilitatea de extindere a perioadei de garanție pentru gama de unelte electrice pentru grădină (de CA/CC) peste perioada stipulată mai sus prin înscrierea produsului pe website-ul www.ryobitools.eu. Eligibilitatea pentru perioada de extindere a garanției este afișată în mod clar în magazinele de vânzare și/sau pe ambalaj sau este inclusă în documentația livrată împreună cu produsul. Utilizatorul final este obligat să-și înregistreze produsul online în termen de maxim 30 de zile de la achiziția acestuia. Utilizatorul final poate înregistra produsul pentru garanția extinsă oferită în țara sa de rezidență dacă aceasta este listată în formularul de înregistrare online și dacă această opțiune este validă. În plus, utilizatorii finali trebuie să-și dea acordul pentru stocarea datelor personale solicitate la înregistrarea online și trebuie să accepte termenii și condițiile. Mesajul de confirmare a înregistrării, trimis prin e-mail și factura originală cu data achiziției vor dovedi perioada de garanție extinsă.
3. Garanția acoperă toate defecțiunile produsului survenite în perioada de garanție datorate defectelor de execuție sau materialelor folosite, începând cu data achiziției acestuia. Garanția este limitată la reparare și/sau înlocuire și nu include alte obligații, inclusiv, dar fără a se limita la daune accidentale sau rezultate pe cale de consecință. Garanția își pierde valabilitatea dacă produsul este utilizat necorespunzător, utilizat necorespunzător de instrucțiunile de utilizare din manualul cu instrucțiuni sau conectat incorect. Garanția nu se aplică în cazul:
 - oricărei defecțiuni survenite în urma întreruperii necorespunzătoare a produsului
 - oricărui produs alterat sau modificat
 - oricărui produs la care inscripțiile cu datele de identificare (marca comercială, numărul de serie) au fost șterse, modificate sau îndepărtate
 - oricărei defecțiuni datorate neconformării cu instrucțiunile din manualul de utilizare
 - oricărui produs necertificat CE
 - oricărui produs asupra căruia au fost efectuate tentative de reparare de către personal necalificat sau fără autorizație prealabilă din partea Techtronic Industries.
 - oricărui produs conectat la o sursă de alimentare necorespunzătoare (curent, tensiune, frecvență)
 - oricărui produs utilizat cu un amestec de carburant necorespunzător (combustibil, ulei, proporții de adaos ulei)
 - oricărui defecțiune datorate unor influențe externe (chimice, fizice, șocuri) sau substanțe străine
 - uzurii și fisurării normale a pieselor de rezervă
 - utilizării neadecvate, suprasolicitării uneltei
 - utilizării de piese și accesorii neaprobate
 - Operațiunile de curățare sau reglare periodică a carburatoarelor
- Componentele (piese și accesorii) supuse uzurii și defectării normale, care includ, fără a se limita la manșoane de protecție, curele de transmisie, ambreiaji, lamele de la tăietoarele de arbore sau gazon, harnașamente, cablu de accelerație, perii de cărbune, cordon de alimentare, dinți, discuri de păslă, știfturi de siguranță, ventilatoare de suflantă, tuburi de aspirare sau suflare, sac de colectare resturi și banda de susținere a acestuia, bare de ghidare, lanțuri de fierăstrău, furtunuri, accesorii de conectare, duze de pulverizare, volante, baghete de pulverizare, moșoare interne, carcase exterioare pentru moșoare, fire tăietoare, bujii, filtre de aer, filtre de gaz, lame de tocător, etc.
4. Pentru efectuarea reparațiilor, produsul trebuie trimis sau adus la un centru de reparații autorizat RYOBI din lista următoare de centre de reparații prezentate pentru fiecare țară. În anumite țări, reprezentatul local RYOBI va trimite produsul spre reparare la sediul central de reparații RYOBI. Atunci când trimiteți produsul spre reparare la un centru de reparații RYOBI, acesta trebuie ambalat în siguranță, fără conținut periculos (cum ar fi benzină), marcat cu adresa expeditorului și însoțit de o scurtă descriere a defectului.
5. Repararea/înlocuirea în perioada de garanție este gratuită. Aceasta nu este însoțită de o prelungire sau o reințiere a perioadei de garanție. Piesele sau uneltele schimbate devin proprietatea dvs. În anumite țări, taxele de expediție sau postate vor fi suportate de expeditor. Drepturile dvs. statutare rezultate din achiziția produsului rămân neschimbate.
6. Această garanție este valabilă în Comunitatea Europeană, Elveția, Islanda, Norvegia, Liechtenstein, Turcia și Rusia. În afara acestor zone, vă rugăm să contactați reprezentantul dvs. local RYOBI pentru a determina dacă se aplică alt tip de garanție.

CENTRU DE SERVICE AUTORIZAT

Pentru a găsi un centru de service autorizat vă rugăm să vizitați <http://uk.ryobitools.eu/header/service-and-support/service-agents>.

LV RYOBI® GARANTIJAS PIEMĒROŠANAS NOSACĪJUMI

Papildus jebkādam likumiskajām tiesībām, kuras rodas, veicot pirkumu, izstrādājums tiek nodrošināts ar tālāk tekstā noteikto garantiju.

1. Garantijas periods patērētājiem ir 24 mēneši, tas atskaitē tiek sāktas no datuma, kurā veikta izstrādājuma iegāde. Šim datumam jābūt dokumentētām rēķinā vai citā pirkumu apliecināošā dokumentā. Izstrādājums ir radīts un paredzēts tikai patērētāja privātai lietošanai. Saisītībā ar iepriekšminēto, garantija netiek nodrošināta profesionālās vai komerciālas lietošanas gadījumā.
2. Pastāv iespēja pagarināt daļas no dārza instrumentu klāsta (Maignstrāvas/akumulatoru) garantiju ilgāk par iepriekš minēto periodu, izmantojot reģistrāciju interneta vietnē www.ryobitools.eu. Instrumenti, kas pakļauti garantijas perioda pagarināšanai, tiek skaidri apzīmēti veikalos un/vai uz iepakojuma un izstrādājumu komplektējošajā dokumentācijā. Gala lietotājam nepieciešams reģistrēt tā iegādātā jauno instrumentu 30 dienu laikā no pirkuma datuma. Gala lietotājs var reģistrēties pagarinātajai garantijai savā mītnes valstī, ja tā minēta tiešsaistes reģistrācijas veidlapā, kurā šī iespēja ir aktīva. Bez tam, gala lietotājam ir jāsniedz pierādīšana tiešsaistes ievadīšanai nepieciešamo datu glabāšanai un jāpiekrīt noteikumiem un nosacījumiem. Reģistrācijas apstiprinājums, kas tiek nosūtīts, izmantojot e-pastu, un rēķina oriģināls, kurā norādīts iegādes datums, kalpo kā pagarinātās garantijas apstiprinājums.
3. Garantija attiecas uz visiem izstrādājumu defektiem garantijas periodā, kas saistīti ar ražošanas vai materiālu defektiem no pirkuma datuma. Šī garantija tiek ierobežota ar remontu un/vai nomaiņu un neietver jebkādas citas saistības, tajā skaitā, bet ne tikai, cēloņsakarīgos vai saistītos bojājumus. Garantija nav spēkā, ja izstrādājums ir nepareizi lietots, izmantots pretēji norādēm lietošanas rokasgrāmatā vai bijis nepareizi pieslēgts. Šī garantija netiek attiecināta uz:
 - jebkādiem izstrādājuma bojājumiem, kas radušies nepareizas uzstādīšanas rezultātā
 - jebkuru izstrādājumu, kas ticis pārveidots vai mainīts
 - jebkuru izstrādājumu, kura oriģinālās identifikācijas (preču zīme, sērijas numurs) marķējums ir ticis nodzēsts, mainīts vai noņemts
 - jebkādiem bojājumiem, kuri radušies neievērojot norādes lietošanas rokasgrāmatā
 - jebkādam izstrādājumam bez CE sertifikācijas
 - jebkurai izstrādājumam, kura remontu mēģinājis veikt nekvalificēts personāls vai bez Technonic Industries iepriekšējas autorizācijas.
 - jebkurai izstrādājumam, kurš bijis pieslēgts neatbilstošu parametru (strāvas, sprieguma, frekvences) sprieguma avotam
 - jebkurai izstrādājumam, kurš bijis izmantots ar nepareizu degvielas maisījumu (degviela, eļļa, eļļas procentuālais saturs)
 - jebkuriem bojājumiem, kuri radušies ārējas iedarbības (ķīmiskas, fiziskas, triecieni) vai vielu ietekmē
 - detaļu normāla lietošanas nodiluma rezultātā
 - nepareizas lietošanas vai instrumentu pārslodzes rezultātā
 - neapstiprinātu detaļu vai aprīkojuma lietošanas rezultātā
 - jebkādu periodiskus karburatoru regulēšanas darbus vai apkopes tīrīšanu
 - Komponentus (daļas un aksesuārus), kas pakļauti dabīgām nodilumam, ieskaitot, bet neaprobežojoties ar atslēgta pogām, piedziņas sīksnādi, sajūgjiem, krūmu šķēru un pļaujmašīnu asmeņiem, uzkabēm, droseļu trošlēm, oglekļa sukām, elektrības vadiem, tapām, filca aplākšņiem, sakābes tapām, pūtēja ventilatoriem, pūtēja un sūkšanas caurulēm, savākšanas maisiem un sīksnādi, vadotņu plankām, zaģu ķēdēm, šūtenēm, savienojumu uzgaļiem, izsmidzinātāja uzgaļiem, riteņiem, izsmidzinātāja caurulēm, iekšējām spoļēm, ārējām spoļēm, pļausšanas aukām, aizdedzes svečēm, gaisa filtriem, degvielas filtriem, mulčēšanas asmeņiem, utt.
4. Servisa nodrošināšanai, izstrādājums ir jānodod pilnvarotā RYOBI servisa centrā, kas norādīts katrai valstij tālāk minētajā servisa centru adrešu sarakstā. Dažās valstīs jūsu vietējais RYOBI izplatītājs uzņemas izstrādājuma nosūtīšanu uz RYOBI servisa organizāciju. Nosūtīt izstrādājumu uz RYOBI servisa centru, izstrādājuma jābūt droši iepakotam, tas nedrīkst saturēt bīstamas vielas kā degvielu, sūtiņjam jābūt marķētam ar sūtiņta adresi un īsu kārtes aprakstu.
5. Remonts/nomaiņa šīs garantijas ietvaros ir bezmaksas. Tas nerada garantijas perioda pagarināšanu vai jaunu garantiju. Nominātais daļas vai instrumentu kļūdai par mūsu īpašumu. Dažās valstīs piegādes vai pasta izmaksas būs jāapmaksā sūtiņtājam. Jūsu likumiskās tiesības, kas nodibinās, iegādājoties instrumentu, paliek nemainīgas
6. Šī garantija ir spēkā Eiropas Kopienā, Šveicē, Islandē, Norvēģijā, Līhtenšteinā, Turcijā un Krievijā. Ārpus šīm teritorijām, lūdz, sazinieties ar jūsu pilnvaroto RYOBI izplatītāju, lai noteiktu, vai ir piemērojama cita garantija.

AUTORIZĒTS APKALPOŠANAS CENTRS

Lai atrastu tuvāko autorizēto apkalpošanas centru, apmeklējiet <http://uk.ryobitools.eu/header/service-and-support/service-agents>.

LT „RYOBI®“ GARANTIJOS TAIKIMO SĄLYGOS

Papildant bet kokias įstatymuose numatytas perkant atsiřandančias teises, šiam įrenginiui taikoma toliau nurodyta garantija.

1. Vartotojams suteikiama 24 mėnesių trukmės garantija nuo įrenginio įsigijimo datos. Ši data turi būti nurodyta sąskaitoje faktūroje ar kitame pirkimą įrodančiame dokumente. Šis įrenginys skirtas tik vartotojų rinkai ir asmeniniam naudojimui. Todėl garantija netaikoma, jei įrenginys naudojamas profesinėms ar komercinėms reikmėms.
2. Įsigijus tam tikrus šio įrenginius (AC/DC), suteikiama galimybė pratęsti garantiją, kad ji galioūt ilgiau, nei nurodyta pirmiau, naudojantis registracija interneto svetainėje www.ryobitools.eu. Ar galima pratęsti įrenginio garantiją laikotarpi, aiškiai nurodoma parduotuvėse ir (arba) ant įrenginio pakuoės, ir (arba) įrenginio dokumentuose. Galutinis naudotojas turi užregistruoti savo naujai įsigytą įrenginį per 30 dienų nuo įsigijimo datos. Galutinis naudotojas gali registruotis išplėstinei garantijai savo gyvenamojoje šalyje, jei ji nurodyta internetinėje registracijos formoje, kurioje siūloma tokia galimybė. Be to, galutiniai naudotojai turi sutikti su duomenų, kuriuos reikia įvesti internetu, saugojimu ir svetainės naudojimo sąlygomis. Kaip išplėstinės garantijos įrodymas naudojamas registracijos patvirtinimo kvitas, atsiunčiamas el. paštu, ir originali sąskaita faktūra, kurioje nurodyta įsigijimo data.
3. Ši garantija apima visus garantiniui laikotarpiu aptiktus įrenginio trūkumus, atsiradusius dėl gamybos arba medžiaginių defektų nuo įsigijimo datos. Ši garantija ribojama remontu ir (arba) pakeitimu, ir neapima jokių kitų įsipareigojimų, įskaitant (bet tuo neapsiribojant) šalutinius arba antrinius nuostolius. Garantija anuliuojama, jei įrenginys buvo naudojamas netinkamai, naudojamas ne pagal naudojimo instrukciją arba netinkamai prijungtas. Ši garantija netaikoma:
 - jokiai įrenginiui padarytai žalai, kurią lemė netinkama techninė priežiūra;
 - jokiai įrenginiui, kuris buvo keičiamas ar modifikuojamas;
 - jokiai įrenginiui, kurio originalūs identifikavimo ženklai (prekės ženklas, serijos numeris) buvo sugadinti, pakeisti arba pašalinti;
 - jokiai žalai, kurią lemė naudojimo instrukcijos nesilaikymas;
 - jokiais CE ženklu nepažymėtais įrenginiais;
 - jokiai įrenginiui, kuri bandė remontuoti nekvalifikuoti asmenys arba kuris buvo remtuojamas be „Technonic Industries“ leidimo;
 - jokiai įrenginiui, kuris buvo prijungtas prie netinkamo maitinimo tinklo (netinkamos srovės, įtampos, dažnio);
 - jokiai įrenginiui, kuris buvo naudojamas su netinkamu degalų mišiniu (degalai, alyva, maišymo santykis);
 - jokiai žalai, kurią lemė išorinis poveikis (cheminis, fizinis, smūgiai) arba pašalinės medžiagos;
 - dėvimosiomis dalimis;
 - netinkamam naudojimui, įrenginio perkrovai;
 - nepatvirtintų priedų arba dalių naudojimui;
 - detaļu reguliariam karburatorių reguliavimui arba priežiūros ir valymo darbams
 - Komponentams (dalims ir priedams), kurie natūraliai dėvisi, įskaitant (bet tuo neapsiribojant) spyruoklines galvutes, pavarų diržus, sankabą, gyvatvorių genėtuvą ar žoliapjėvį geležtes, diržus, trosinį droselį, anglinius šepetėlius, maitinimo kabelį, virbus, fetro poveržles, prikabinimo kaiščius, pūstuvu ventilatorius, pūstuvu ir siurblio vamzdžius, siurblio maišą ir diržus, kreipiamuosius strypus, pjūkle grandines, žarneles, jungiamąsias detales, purškimo antgalius, ratus, purškimo liestukus, vidines rites, išorines rites, pjovimo vielą, uždegimo žvakės, oro filtrus, dujų filtrus, mulčiavimo geležtes ir pan.
4. Prireikus atlikti priežiūros darbus, įrenginį reikia siųsti arba atvežti RYOBI įgaliotam priežiūros centrui, nurodytam kiekvienos šalies priežiūros centrų adrešų sąraše. Kai kuriose šalyse vietinis RYOBI atstovas siunčia įrenginį RYOBI priežiūros organizacijai. Siunčiant įrenginį RYOBI priežiūros centrui, reikia saugiai jį supakuoti pašalinant visas pavojingas medžiagas, pvz., benzina, nurodyti ant pakuotės siuntėjo adresą ir pridėti trumpą gedimo aprašymą.
5. Pagal šią garantiją remontas / keitimas atliekami nemokamai. Tokie veiksmai netaikomi garantijos pratęsimu arba naujo garantinio laikotarpio pradžia. Dalys arba įrenginiai, kuriuos pakeitėme, tampa mūsų nuosavybe. Kai kuriose šalyse pristatymo ir pašto išlaidas turi padengti siuntėjas. Įstatymuose numatytos jūsų teisės, atsiřandančios perkant įrenginį, lieka nepakeistos
6. Ši garantija galioja Europos bendrijoje, Šveicarijoje, Islandijoje, Norvegijoje, Lichtenšteine, Turkiijoje ir Rusijoje. Jei gyvenate ne šiose šalyse, kreipkitės į įgaliotąjį RYOBI atstovą ir sužinokite, ar jums taikoma kita garantija.

ĮGALIOTOS TECHNINĖS PRIEŽIŪROS CENTRAS

Jei norite surasti įgaliotą techninės priežiūros centrą netoli Jūsų, apsilankykite interneto svetainėje <http://uk.ryobitools.eu/header/service-and-support/service-agents>.

ET RYOBI® GARANTIINGIMUSED

Lisaks toote ostust tulenevatele seadusjärgsetele õigustele, kehtib tootele ka alltoodud garantiiga.

1. Tarbijatele on garantiiaeg 24 kuud ja algab sellel kuupäeval, mil toode osteti. Selle kuupäeva tõestuseks on vaja arvet või mõnda teist tõendit ostu sooritamise kohta. Toode on mõeldud etarbijatele ainult isiklikeks kasutamiseks. Seega ei kehti garantiid ostu kasutamisel kutsetegevuses või kaubanduslikel eesmärkidel.
2. Teatud osale (vahelduvvoolu/alalisvoolu) aiatööriistadele on võimalik pikendada eespool toodud garantiiaega, kasades toote registreerimist veebilehel www.ryobitools.eu. Teave tööriista võimaliku pikendatud garantiiaja kohta on selgelt esile toodud poodides ja/või pakendil / ning see sisaldub toote dokumentatsioonis. Lõpptarbijaja peab registreerima oma uued tööriistad interneti teel 30 päeva jooksul pärast ostupäeva. Lõppkasutaja võib registreerida pikendatud garantiiaja saamise oma elukohariigis, kui veebis olevas registreerimisvormis on see valik lubatud. Lisaks peavad kasutajad andma oma nõusoleku veebis nõutud sisestatavate andmete säilitamiseks ning nad peavad nõustuma tingimustega. E-posti teel saadetav registreerimise kinnitus ja arve originaal, kus on näha ostu sooritamise kuupäev, on pikendatud garantiiaja tõestuseks.
3. Garantiid katab kõik defektid toote garantiiaja jooksul, kui ostu kuupäeval ilmnevad talitus- või materjalvead. Garantii piirub toote remondi ja/või väljavahetamisega ning ei sisalda muid kohustusi, muu hulgas ettenägematuid või kaudseid kahjusid. Garantii ei kehti, kui toodet ei ole kasutatud sihtotstarbelselt või kooskõlas kasutusjuhendiga või see on valesti ühendatud. Garantii ei kehti järgmistel põhjustel:
 - toode on kahjustatud vale hoolduse tõttu
 - toode on muudetud
 - toote algupärased identifitseerimismärgised (kaubamärk, seerianumber) on rikutud, muudetud või eemaldatud
 - kahju on tekkinud kasutusjuhendi mittejärgimisest
 - tootel puudub CE-märgis
 - toode on püüdnud remondida vastavalt kvalifikatsiooni mitte omav isik või ilma firma Techtronic Industries eelneva loata.
 - toode on ühendatud valesse teiteallikasse (voolutugevus, pinge, sagedus)
 - tootega kasutati sobimatut kütusesegu (kütus, õli, õli protsent)
 - välismõjude (keemilised, füüsilised, elektrilöögid) või võõrkehade tekitatud kahju
 - tavapärase kulumine ja katkised varuosad
 - ebaõige kasutamine, tööriista ülekoormamine
 - heakskiitmata tarvikute või osade kasutamine
 - Karburaatorite korralised reguleerimistööd või hooldus- ja puhastustööd
 - Komponentid (osad ja tarvikud), mida iseloomustab kulumine ja vananemine, muu hulgas puutenupud, kiilrihmad, sidur, heklõikurite või muruniidukite lõiketerad, rakmed, gaasitorid, süsinikharjad, toitejuhe, freesiterad, vildist seibid, tihvtid, õhuvventilaatorid, puhuri- ja imuritord, kogumiskott ja riimad, juhikud, saeketid, voolikud, liitmikud, pihusti otsakud, rattad, pritsi varred, sisemised poolid, välismised poolid, jõhvid, süteküünlad, õhufiltrid, gaasifiltrid, multšimisterad jne.
4. Hoolduseks peab toote saama või viima RYOBI tootnud teenindusse, mille aadressi leiata järgnevat teeninduspunkti nimekirjast vastava riigi alt. Mõnedes riikides võtab kohalik RYOBI edasimüüja enda kanda kohustuse saata toode RYOBI teenindusorganisatsiooni. Tootte saatmisel RYOBI teenindusse peab toode olema ohutult pakitud ja ei tohi sisaldada ohtlikke aineid (nt bensiini), kirjas peab olema saatja aadress ja lisatud vea lühikirjeldus.
5. Garantii alusel tehtavad remonditööd / asendamine on tasuta. See ei pikenda garantiid kehtivusaega ega tähistu vae garantiiaja algust. Väljavahetatud osad või tööriistad kuuluvad meile. Mõnedes riikides maksab kätetoimetamis- ja postikulud saatja. Teile jäävad kehtima tööriista ostust tulenevad seadusjärgsed õigused
6. See garantiid kehtib Euroopa Ühenduse territooriumil, Šveitsis, Islandil, Norras, Liechtensteinis, Türgis ja Venemaal. Väljaspool neid piirkondi võtke ühendust volitatud RYOBI edasimüüjaga, et teha kindlaks kas kehtib mõni teine garantiid.

VOLITATUD HOOLDUSKESKUS

Oma volitatud hoolduskeskuse leiata veebisaidil <http://uk.ryobitools.eu/header/service-and-support/service-agents>.

HR UVJETI PRIMJENE JAMSTVA TVRTKE RYOBI®

Osim svim zakonskim pravima koja proizlaze iz kupnje, ovaj je proizvod pokriven jamstvom kako je navedeno u nastavku.

1. Jamstveno razdoblje za potrošače traje 24 mjeseca i počinje s datumom na koji je proizvod kupljen. Taj datum mora se dokumentirati računom ili drugim dokazom o kupnji. Proizvod je konstruiran i namijenjen samo za privatnu upotrebu korisnika. Stoga se jamstvo ne daje u slučaju profesionalne ili komercijalne uporabe.
2. Postoji mogućnost da se za dio asortimana vrtnih alata pokretanih izmjeničnom strujom (AC/DC) proizvodi gore navedeno jamstveno razdoblje putem registriranja na mrežnom mjestu www.ryobitools.eu. Uvjeti koje je potrebno zadovoljiti kako bi se produžilo jamstveno razdoblje jasno su istaknuli u prodavaonicama i / ili na pakiranju i / nalaze se unutar dokumentacije proizvoda. Krajnji korisnik mora registrirati svoje novo kupljene alate na mreži u roku od 30 dana od datuma kupnje. Krajnji korisnik može se registrirati za produženo jamstvo u svojoj zemlji boravišta ako se nalazi na popisu u mrežnom obrascu za registraciju gdje je ta opcija važeća. Nadalje, krajnji korisnici moraju dati svoj pristanak na pohranu podataka koji su potrebni za mrežni ulazak i moraju prihvatiti odredbe i uvjete. Potvrda o prijemu registracije, koja se šalje putem e-pošte, kao i originalni račun s vidljivim datumom kupnje poslužat će kao dokaz produženog jamstva.
3. Jamstvo pokriva sve nedostatke proizvoda tijekom jamstvenog razdoblja koji su nastali zbog neispravnosti prilikom izrade ili materijala s datumom kupnje. Jamstvo je ograničeno na popravak i/ili zamjenu i ne obuhvaća nikakve druge obveze, uključujući, ali ne ograničavajući se na slučajne ili posljedne štete. Jamstvo ne vrijedi ako je proizvod bio zlorabljivan, korišten u suprotnosti s priručnikom s uputama ili ako je pogrešno spojen. Ovo jamstvo ne primjenjuje se na:
 - svako oštećenje proizvoda koje je rezultat nepravilnog održavanja
 - svaki proizvod koji je izmijenjen ili modificiran
 - svaki proizvod gdje su originalne identifikacijske oznake (zaštitni znak, serijski broj) izbrisane, zamijenjene ili uklonjene
 - svako oštećenje uzrokovano neprikladnim korištenjem priručnika
 - svaki proizvod koji nije CE
 - svaki proizvod koji je pokušao popraviti neovlašten profesionalac ili bez prethodnog odobrenja od strane Techtronic Industries
 - svaki proizvod priključen na nepravilno napajanje energijom (amperi, napon, frekvencija)
 - Svaki proizvod korišten s neodgovarajućom mješavinom (gorivo, ulje, postotak ulja)
 - svako oštećenje uzrokovano vanjskim utjecajima (kemijsko, fiziko, udar) ili stranim stvarima
 - normalno trošenje i habanje rezervnih dijelova
 - nepravilno korištenje, preopterećenje alata
 - korištenje neodobrenog dodatnog pribora ili dijelova
 - rasplinjača nakon 6 mjeseci, podcavijavanje rasplinjača nakon 6 mjeseci
 - komponente (dijelovi i dodatni pribor) koji su predmet prirodnog trošenja i habanja, uključujući no ne ograničavajući se na gumbe za otpuštanje, pogonske remene, spojku, oštrice trimera za grmlje ili kosilicu, kope, sajle gasa, ugljene četke, kabele za napajanje, nožve, podloške, ztkice za globnu vezu, ventilatore puhalice, cijevi za ispuhavanje i usisavanje, vakuumske vrećice i trake, vodilice, lance pile, crijeva, priključene elemente, mlaznice za raspršivanje, kotalče, koplja za raspršivanje, unutarnje kolote, vanjske kaleme, flaksove, svjećice, filtre za zrak, filtre za plin, oštrice za usitnjavanje itd.
4. Za potrebe servisiranja, proizvod se mora poslati ili odnijeti u ovlaštenu servisnu postaju tvrtke RYOBI navedenu na sljedećem popisu s adresama servisnih postaja u svakoj zemlji. U nekim zemljama, vaš lokalni RYOBI zastupnik obvezuje se da će poslati proizvod u servisnu organizaciju tvrtke RYOBI. Kada se proizvod šalje u neku servisnu postaju tvrtke RYOBI, proizvod se mora sigurno pakirati bez jednog od opasnih sadržaja kao što je benzin, na njemu mora pisati adresa pošiljatelja i mora biti popraćen kratkim opisom kvara.
5. Popravak / zamjena pod ovim jamstvom su besplatni. Oni ne predstavljaju produženje ili novi početak jamstvenog razdoblja. Zamijenjeni dijelovi ili alati postaju naše vlasništvo. U nekim državama troškove isporuke ili poštarnu mora platiti pošiljatelj. Vaša zakonska prava koja proizlaze iz kupnje alata ostaju nepromijenjena
6. Ovo jamstvo vrijedi u Europskoj uniji, Švicarskoj, Islandu, Norveškoj, Lichtenštajnu, Turskoj i Rusiji. Izvan tih područja vas molimo da se obratite svojem ovlaštenom zastupniku tvrtke RYOBI kako biste utvrdili primjenjuje li se drugo jamstvo.

OVLAŠTENI SERVISNI CENTAR

Za pronalaznje ovlaštenog servisnog centra pored vas posjetite <http://uk.ryobitools.eu/header/service-and-support/service-agents>.

SL POGOJI ZA VELJAVNOST GARANCIJE RYOBI®

Poleg morebitnih zakonsko določenih pravic, ki izvirajo iz nakupa, za ta izdelek velja spodaj navedena garancija.

- Garancijsko obdobje je za potrošnike 24 mesecev in začne teči z dnem nakupa izdelka. Ta datum mora biti dokumentiran z računom ali drugim dokazilom o nakupu. Izdelek je zasnovan in namenjen izključno za potrošniško zasebno uporabo. V primeru strokovne oziroma komercialne uporabe izdelka garancija ne velja.
- Obstaja možnost podaljšanja garancije na del naše ponudbe vrtnih orodij (AC/DC) prek obdobja garancije, opisanega zgoraj, s pomočjo registracije na spletnem mestu www.ryobitools.eu. Ustreznost orodij za podaljšanje garancijskega obdobja je jasno prikazana v trgovinah in/ali na embalaži oziroma je navedena v dokumentaciji izdelka. Končni uporabnik mora registrirati svoje novo orodje na spletu v 30 dneh po datumu nakupa. Končni uporabnik lahko registrira podaljšano garancijo v svoji državi bivanja, če je na obrazcu spletne registracije navedeno, da ta možnost velja za njegovo državo. Poleg tega morajo končni uporabniki podati svoje soglasje za shranjevanje podatkov, ki so potrebni za spletno državo in morajo sprejeti pogoje in določila uporabe spletnega mesta. Potrdilo o registraciji, ki ga pošljemo preko e-pošte, in originalni račun, ki prikazuje datum nakupa, služita kot dokazilo o podaljšani garanciji.
- Garancija krije vse okvare izdelka, do katerih pride v garancijskem obdobju zaradi napak v izdelavi ali materialu, ki so bile prisotne ob datumu nakupa. Garancija je omejena na popravilo in/ali zamenjavo in ne vključuje nobenih drugih obveznosti, med drugim vključno z naključno ali posledično škodo. Garancija ne velja, če je bil izdelek napačno uporabljen, uporabljen v nasprotju z navodili iz priročnika za uporabo ali če ni bil pravilno povezan. Ta garancija ne velja za:
 - škodo na izdelku, ki je posledica neustreznega vzdrževanja
 - spremenjen ali prilagojen izdelek
 - izdelek, katerega originalna identifikacijska oznaka (blagovna znamka, serijska številka) je bil poškodovan, spremenjena ali odstranjena
 - škodo, ki je posledica neupoštevanja navodil iz priročnika za uporabo
 - izdelek, ki nima oznake CE
 - izdelek, ki ga je poskušal opraviti ne kvalificiran strokovnjak ali ki je bil popravljen brez predhodne odobritve s strani družbe Techtronic Industries.
 - izdelek, ki je bil povezan na neustrezno napajanje (amperska moč, napetost, frekvenca)
 - izdelek, ki je bil uporabljen z neustrezno mešanico goriva (gorivo, olje, odstotek olja)
 - škodo, ki jo povzročijo zunanji vplivi (kemični, fizični, mehanski) ali tuje snovi
 - rezervne dele, ki so podvrženi običajni uporabi
 - neprimerno uporabo, preobremenitev orodja
 - uporabo neodobrenih dodatkov ali delovVsako redno prilagajanje ali vzdrževalno čiščenje uplinjačev
- Komponente (sestavni in rezervni deli), ki so podvrženi običajni obrabi, med drugim vključno z gumbi odbijaca, pogonskimi jermeni, sklopko, rezili obrezovalnikov za žive meje ali kosilnic za trato, nosilnimi pasovi, kabli, dušilnimi ventili, oglikovimi krtačami, napajalnimi kabli, zobci, tesnili iz filca, veznimi zatiči, ventilatorji pihalnika, cevni pihalnika in sesalnika, vrečko in pasovi sesalnika, vodilnimi palicami, verigami motorne žage, cevmi, priključki, razpršilnimi šobami, kolesi, razpršilnimi palicami, notranjimi kolesci, zunanji motki, rezalnimi vrvicami, vžigalnimi svečkami, zračnimi filtri, plinskimi filtri, rezili za mulčenje itd.
- Za servisiranje morate izdelek poslati ali prinesiti v pooblaščen servisni center družbe RYOBI, ki je naveden za vsako državo in naslednjem seznamu naslovov servisnih centrov. V nekaterih državah se vaš lokalni posrednik družbe RYOBI obveže, da bo poslal izdelek na servis družbe RYOBI. Ko pošiljate izdelek v servisni center družbe RYOBI, mora biti izdelek varno zapakiran in ne sme vsebovati nobenih nevarnih snovi, kot je npr. bencin, opremljen pa mora biti z naslovom pošiljatelja in vsebovati kratek opis napake.
- Popravilo/zamenjava v skladu s to garancijo sta brezplačni storitvi. To pa ne predstavlja podaljšanja ali ponovnega začetka garancijskega obdobja. Zamenjani deli ali orodja postanejo naša last. V nekaterih državah stroške dostave ali poštno plača pošiljatelj. Vaše zakonsko določene pravice, ki izvirajo iz nakupa orodja, ostajajo nespremenjene.
- Ta garancija velja v Evropski skupnosti, Švici, Islandiji, na Norveškem, v Lihtenštajnu, v Turčiji in Rusiji. Izven teh območij se obrnite na svojega pooblaščenega posrednika izdelkov RYOBI, dealer ki vam bo povedal, ali velja kakšna druga garancija.

POOBLAŠČEN SERVISNI CENTER

Pooblaščen servisni center blizu vas poiščite na <http://uk.ryobitools.eu/header/service-and-support/service-agents>.

SK ZÁRUČNÉ PODMIENKY RYOBI®

Na tento výrobok sa okrem všetkých zákonných práv, vyplývajúcich z nákupu, vzťahuje záruka v nasledovnom znení.

- Záručná doba pre spotrebiteľa je 24 mesiacov a začína plynúť odo dňa, kedy bol výrobok zakúpený. Tento dátum musí byť doložený faktúrou alebo iným dokladom o zakúpení. Výrobok je navrhnutý a určený pre spotrebiteľov a len na súkromné používanie. Preto sa záruka sa neposkytuje v prípade použitia na profesionálne a komerčné účely.
- V prípade záhradného náradia (na striedavý/jednosmerný prúd AC/DC), existuje možnosť predĺženia záručnej doby oproti záručnej dobe, uvedenej vyššie, s využitím on-line registrácie na webovej stránke www.ryobitools.eu. Označenie na náradí o nároku na predĺženie záručnej doby je zreteľne uvedené v obchodoch a/alebo na obale a je uvedené v dokumentácii k výrobku. Koncový používateľ musí zaregistrovať svoje novozískané náradie on-line do 30 dní odo dňa nákupu. Koncový používateľ sa môže zaregistrovať na predĺženie záruky v krajine svojho bydliska, ak je v on-line registračnom formulári uvedená táto možnosť. Ďalej musia koncoví používatelia ešte dať svoj súhlas k uchovávaní údajov, ktoré je potrebné zadať on-line a musia súhlasiť s podmienkami. Potvrdenie o prijatí registrácie, ktorá je zasielané e-mailom a originálna faktúra, v ktorej je uvedený dátum nákupu, slúžia ako dôkaz o predĺženej záruke.
- Záruka sa vzťahuje na všetky poruchy výrobku v záručnej dobe, spôsobené chybami materiálu alebo spracovania k dátumu nákupu. Táto záruka je obmedzená na opravu a/alebo výmenu a nezahtáva žiadne ďalšie povinnosti, vrátane, okrem iných, náhodné alebo následné škody. Táto záruka je neplatná, ak bol výrobok nesprávne používaný, bol používaný v rozpore s návodom na použitie alebo bol nesprávne zapojený. Táto záruka sa nevzťahuje na:
 - akékoľvek poškodenie výrobku, ktoré bolo spôsobené nesprávnou obsluhou
 - akýkoľvek výrobok, ktorý bol zmenený alebo upravený
 - akýkoľvek výrobok, na ktorom bolo poškodené, upravené alebo odstránené identifikačné označenie (ochranná známka, výrobné číslo)
 - akékoľvek škody, spôsobené nedodržaním návodu na obsluhu
 - akýkoľvek výrobok, ktorý neobsahuje označenie CE
 - akýkoľvek výrobok, ktorý sa pokúšal opraviť nekvalifikovaný odborník alebo bol opravovaný bez predchádzajúceho súhlasu zo strany spoločnosti Techtronic Industries.
 - akýkoľvek výrobok, pripojený k nesprávnemu napájaciemu zdroju (ampéry, napätie, frekvencia)
 - akýkoľvek výrobok, používaný s nesprávnou palivovou zmesou (palivo, olej, percento oleja)
 - akékoľvek poškodenia, spôsobené vonkajšími vplyvmi (chemickými, fyzikálnymi, nárazmi) alebo cudzorodými látkami
 - bežné opotrebovanie náhradných dielov
 - nehodné použitie, preťažovanie nástroja
 - používanie neschváleného príslušenstva a dielov
 - Akékoľvek pravidelné úpravy alebo čistenie karburátorov, vykonávaných vrámi údržby
 - Súčiastky (diely a príslušenstvo), ktoré podliehajú prirodzenému opotrebeniu, okrem iných, otočné gombíky, hnače remene, spojka, nože na nožnice na živý plot alebo kosačky na trávu, popruhy, lanko škrtiacej klapky, uhličky, napájací kábel, radičky, pistené podložky, závesné kince, lopatky fúkačov, trubice vysávača a fúkača, vak do vysávača a popruhy, vodiace lišty, reťazové pily, hadice, spojovacie armatúry, trysky, kolesá, striekacie rúrky, vnútorné cievky, vonkajšie cievky, žacie lanká, zapalovacie sviečky, vzduchové filtre, benzínové filtre, mulčovacie nože atď.
- Na opravu musí byť výrobok odoslaný alebo doručený do autorizovaného servisného strediska RYOBI, uvedeného pre každú krajinu v nasledovnom zozname adries servisných stredísk. V niektorých krajinách miestny zástupca RYOBI preberá na seba záväzok zaslať tovar do servisnej organizácii RYOBI. Pri odosielaní výrobku do servisného strediska RYOBI je potrebné výrobok bezpečne zabaliť bez akéhokoľvek nebezpečného obsahu, ako je benzín, s vyznačením adresy odosiadateľa, s krátkym popisom poruchy.
- Oprava/výmena je vrámi tejto záruky bezplatná. Neznamená to predĺženie záruky alebo spustenie novej záručnej doby. Vymenené diely alebo nástroje sa stávajú našim vlastníctvom. V niektorých krajinách náklady na odoslanie alebo poštné musí zaplatiť odosiadateľ. Vaše zákonné práva, vyplývajúce z nákupu náradia, zostávajú nedotknuté
- Táto záruka platí v Európskej únii, Švajčiarsku, Islande, Nórsku, Lihtenštajnsku, Turesku a Rusku. Ak sa nachádzate mimo týchto oblastí, obráťte sa na autorizovaného predajcu RYOBI na určenie, či sa dá uplatniť iná záruka.

AUTORIZOVANÉ SERVISNÉ CENTRUM

Ak chcete nájsť najbližšie autorizované servisné centrum, navštívte stránku <http://uk.ryobitools.eu/header/service-and-support/service-agents>.

BG УСЛОВИЯ ЗА ВАЛИДНОСТ НА ГАРАНЦИЯТА НА RYOBI®

В допълнение към законоустановените права, произтичащи от покупката, този продукт е обхванат от гаранция, както е описано по-долу.

- Гаранционният срок е 24 месеца за клиенти и започва да тече от деня на закупуване на продукта. Тази дата трябва да се докаже с фактура или друго доказателство за покупка. Продуктът е изработен и предназначен само за потребителска и лична употреба. Следователно не се дава гаранция в случай на използване от професионалисти или с търговска цел.
- Съществува възможност за удължаване на гаранционния срок за част от диалогана на гаранцията на градински инструменти (AC/DC) след изтичането на описания тук чрез регистрация на уеб сайта www.ryobitools.eu. В магазините и/или на опаковката или вътре в документацията на продукта е показано ясно дали инструментът отговаря на условията за такова удължаване на гаранционния срок. Крайният потребител трябва да регистрира своите новопридобити инструменти онлайн в рамките на 30 дни от датата на покупка. Крайният потребител може да се регистрира за удължена гаранция в държавата си на пребиваване, ако е посочена във формуляра за онлайн регистрация като място, където тази опция е валидна. Освен това крайните потребители трябва да дадат съгласието си за съхранение на данните, които са задължителни за попълване онлайн, и трябва да приемат общите условия. Полученото потвърждение за регистрация, изпратено по електронна поща, и оригиналната фактура, показваща датата на покупка, ще служат като доказателство за удължената гаранция.
- Гаранцията покрива всички дефекти на продукта по време на гаранционния срок, които се дължат на проблеми в изработката или материалите към момента на покупката. Гаранцията е ограничена до ремонт и/или замяна и не включва други задължения, включително, но не само, случайни или косвени щети. Гаранцията е невалидна, ако продуктът е използван неправилно или в противоречие с ръководството с инструкции, както и ако е свързан неправилно. Тази гаранция не важи за:
 - щети по продукта в резултат на неправилна профилактика
 - продукти, които са били изменени или модифицирани
 - продукт, при който оригиналните маркировки за идентификация (търговска марка, сериен номер) са изтрити, променени или премахнати
 - повреда, причинена от неспазване на ръководството с инструкции
 - продукт без CE маркировка
 - продукт, за който е направен опит за ремонт от неквалифициран специалист или без предварително разрешение от Techtronic Industries.
 - продукт, свързан към неподходящо електрозахранване (ампераж, волтаж, честота)
 - продукт, използван с неподходяща горивна смес (гориво, масло, процент масло)
 - щети, причинени от външни влияния (химични, физични, удари) или чужди вещества
 - нормално износване на резервни части
 - неподходяща употреба, претоварване на инструмента
 - използване на неодобрен аксесоари или части
 - Всякакви периодични настройки или почистване с цел извършване на поддръжка на карбуратори
 - Компоненти (част и аксесоари), подложени на естествено износване, включително, но не само, копчета за тласкане, задвижващи ремъци, съединители, остриета на ножици за жив плет или косачки за трева, пресрама, кабелен дросел, карбонови четки, ذخранващ кабел, остриета, филцови шабви, осигурителни шифтове, вентилатори на уреди за обдухване, тръби за обдухване и всмукване, торба за отпадъци и ремъци, водещи шини, вериги за триони, маркучи, фитинги на конектори, дюзи, копела, пръскалки, вътрешни и външни макири, режещо влакно, запалителни свещи, въздушни филтри, горивни филтри, остриета за мулчиране и др.
- За обслужване продуктът трябва да се изпрати или занесе на оторизиран сервиз на RYOBI, посочен за всяка държава в следния списък с адреси на сервиси. В някои държави местният търговец на RYOBI поема отговорността да изпрати продукта до сервизен център на RYOBI. При изпращане на продукт до сервиз на RYOBI той трябва да е опакован безопасно без опасност съдържане, напр. бензин, да е маркиран с адреса на подателя и придружен от кратко описание на повредата.
- Ремонтът/замяната по силата на тази гаранция са безплатни. Те не водят до удължаване или подновяване на гаранционния срок. Сменените части или инструменти стават наша собственост. В някои държави таксите за доставка или изпращане трябва да се платят от подателя. Законоустановените ви права, произтичащи от закупуването на инструмента, остават незасегнати
- Тази гаранция е валидна в Европейската общност, Швейцария, Исландия, Норвегия, Лихтенщайн, Турция и Русия. Извън тези области се свържете с упълномощения търговец на RYOBI, за да се установи дали е приложима друга гаранция.

УПЪЛНОМОЩЕН СЕРВИЗЕН ЦЕНТЪР

За да намерите упълномощен сервизен център близо до вас, посетете <http://uk.ryobitools.eu/header/service-and-support/service-agents>.

UK ГАРАНТИЙНИ УМОВИ ДЛЯ RYOBI®

Окрім загалом установлених законом прав, що стосуються покупки, цей пристрій покривається гарантією, що зазначено нижче.

- Гарантійний період для споживачів складає 24 місяці і починається з моменту придбання цього пристрою. Ця дата повинна бути задокументована у гарантійному талоні або чеку, що підтверджує покупку. Цей пристрій був розроблений і призначений тільки для споживчого та приватного використання. У разі професійного або комерційного використання цього пристрою, він втрачає гарантію.
- Існує можливість продовжити гарантійний період, понад період описаний вище, для частини лінійки садових інструментів (перемінного/ постійного струму) за допомогою реєстрації на сайті www.ryobitools.eu. Пристрої, які мають право на подовження гарантійного періоду, мають чіткі позначки щодо цього в магазинах і / або на упаковці / та документаші до пристрою. Кінцевий користувач повинен зареєструвати його/її новопридбаний пристрій онлайн протягом 30 днів з дати покупки. Кінцевий користувач може зареєструватися для подовження гарантійного періоду в своїй країні постійного перебування, якщо вона є доступною у відповідній опції онлайн форми реєстрації. Крім того, кінцеві користувачі повинні дати свою згоду на зберігання даних, які необхідні для введення онлайн, а також вони повинні прийняти правила та умови. Отримання підтвердження реєстрації, яке відправляється на адресу електронної пошти, та оригінал гарантійного талона із зазначеною датою покупки буде слугувати доказом подовженої гарантії.
- Гарантія поширюється на всі дефекти пристрою протягом гарантійного терміну щодо недотримання стандартів виробництва або матеріалів на дату придбання. Гарантія обмежується ремонтом та/або заміною, та не включає в себе будь-яких інших зобов'язань, в тому числі, але необмежена у разі випадкових та подальших пошкоджень. Гарантія не діє, якщо пристрій використовувався нена належним чином, всупереч інструкції з експлуатації або був неправильно підключений до мережі. Дана гарантія не поширюється на:
 - пристрої, що були пошкоджені у результаті неправильного технічного обслуговування;
 - пристрої, що були видозмінені або модифіковані;
 - пристрої, оригінальні ідентифікаційне (товарний знак, серійний номер) маркування яких було пошкоджене, змінене або видалено;
 - будь-які пошкодження, заподіяні недотриманням інструкції з експлуатації;
 - пристрої, що не мають маркування CE;
 - пристрої, що були відремонтовані некваліфікованим фахівцем або за відсутності попереднього дозволу від Techtronic Industries;
 - пристрої, підключені до невідповідного джерела живлення (сила току, напруження, частота);
 - пристрої, що використовувались із невідповідною паливною сумішшю (паливом, оливою, відсотковою часткою оливи);
 - будь-які пошкодження спричинені зовнішнім впливом (хімічними, фізичним, стрибком напруги) або сторонніми речовинами;
 - нормальну амортизацію запасних частин;
 - невідповідне використання, перевантаження пристрою;
 - використання непідтверджених запасних частин або аксесуарів;
 - Будь-які періодичні коригування або технічне очищення карбураторів
 - Компоненти (частини та аксесуари) з урахуванням нормального зношування, враховуючи але без обмеження на імпульсні кнопки, реміні приводу, зчеплення, леза куцоріза або газонокосарки, реміні, троси дротельного клапану, вугільні щітки, шнурки живлення, зубці, фетрові підкладки, зчіпні штирі, вентилятори повітродувки, трубки пилососа та повітродувки, вакуумні мішки та накладки, напрямні, панцюги, гнучкі шланги, з'єднувальні фітинги, розпилювальні насадки, колеса, жорсткі сопла, внутрішні котушки, зовнішні золотники, ріжучу волосінку, свічки запалення, повітряні фільтри, протигазові фільтри, мультувальні леза, т.д.
- Для обслуговування, пристрій має бути відправлений або поданий до одного з авторизованих сервісних центрів RYOBI, які перелічені для кожної країни у наступному переліку адрес сервісних центрів. У деяких країнах місцевий дилер RYOBI зобов'язується відправити пристрій до сервісного центру RYOBI. При відправленні пристрою до сервісного центру RYOBI, пристрій має бути надійно упакуваний для будь-якого безбезпечного вмісту, наприклад бензину, з позначеною адресою відправника та супроводжується коротким описом несправності.
- Ремонт / заміна відповідно до цієї гарантії здійснюється безкоштовно. Це не є основою для подовження або початку нового гарантійного періоду. Замінені частини або прилади переходять до власності компанії. У деяких країнах вартість доставки або поштові витрати повинні бути сплачені відправником. Загально встановлені права покупки на пристрій залишаються незмінними
- Ця гарантія діє в Європейському Союзі, Швейцарії, Ісландії, Норвегії, Лихтенштейні, Туреччині та Росії. За межами цих зон, будь ласка, зверніться до офіційного дилера RYOBI, щоб визначити, чи застосовується інша гарантія.

АВТОРИЗОВАНІ СЕРВІСНІ ЦЕНТРИ

Для отримання оновленого переліку авторизованих сервісних центрів, відвідайте <http://uk.ryobitools.eu/header/service-and-support/service-agents>.

TR RYOBI® GARANTİ UYGULAMA KOŞULLARI

Alımdan kaynaklanan yasal haklara ek olarak, ürün aşağıda belirtilen garanti kapsamındadır.

1. Tüketiciler için 24 ay olan garanti süresi, ürünün satın alındığı tarihte başlar. Bu tarihin bir fatura ya da alım kantıtyla belgelenmesi gerekir. Ürün sadece tüketim ve özel kullanım için geliştirilmiş ve adanmıştır. Bu nedenle, profesyonel ya da ticari kullanım halinde garanti kapsamı sağlanmaz.
2. Bahçe aletlerinin bir bölümü (AC/DC) için www.ryobitools.eu sayfasındaki kayıt işlemini kullanarak garantinin belirtilen sürenin ötesine uzatma imkanı mevcuttur. Aletlerin garanti süresinin uzatılmasına uygun olup olmadığı mağazalarda ve / veya ambalajda açıkça belirtilmiş olup, ürün dokümantasyonunda gösterilir. Son kullanıcının yeni aldığı aletleri satın alma tarihini izleyen 30 gün içinde kaydettirmesi gerekir. Son kullanıcı ikamet ettiği ülkede, bu seçeneğin geçerli olduğu çevrimiçi kayıt formunda belirtilmişse, uzatılmış garanti süresi için kayıt yaptırabilir. Dahası, son kullanıcıların çevrimiçi giriş için gerekli verilerin kaydedilmesine izin vermemi ve hüküm ve koşulları kabul etmelidir. E-posta ile gönderilen kayıt teyit makbuzu ve alım tarihini gösteren orijinal fatura uzatılmış garantinin kanıtı olarak değerlendirilir.
3. Garanti, ürünün alım tarihindeki işçilik ve malzeme kusurları nedeniyle garanti süresi içinde oluşacak bütün arızalarını kapsar. Bu garanti onarım ve değiştirmeyle sınırlı olup, tesadüfi ya da dolaylı hasarlar da dahil, ancak bunlarla kısıtlı olmayan başka hiçbir taahhüdü kapsamaz. Garanti, ürünün kötü, kullanıcı kılavuzuna aykırı kullanılmış ya da yanlış bağlanmış olması halinde geçerli değildir. Bu garanti aşağıdakileri kapsamaz:
 - ürende, yanlış bakımdan kaynaklanan herhangi bir hasar
 - değiştirilmiş ya da modifiye edilmiş herhangi bir ürün
 - orijinal tanıtmış işaretleri (ticari marka, seri numarası) silinmiş, değiştirilmiş ya da kaldırılmış herhangi bir ürün
 - kullanma kılavuzuna uymamaktan kaynaklanmış herhangi bir hasar
 - herhangi bir AT dışı ürün
 - kalifiye olmamış personel tarafından ya da önceden Techtronic Industries onayı alınmadan onarılmış herhangi bir ürün.
 - uygunsuz güç kaynağına (amper, voltaj, frekans) bağlanmış herhangi bir ürün
 - uygunsuz bir yakıt karışımıyla (yakıt, yağ, yap yüzdesi) kullanılmış herhangi bir ürün
 - harici etkenlerden (kimyasal, fiziksel, darbe) veya yabancı cisimlerden kaynaklanan her türlü hasar
 - normal aşınır ve yıpranır aksam
 - uygunsuz kullanım, aletin aşırı yüklenmesi
 - onaysız aksesuar veya parça kullanımı
 - Karbüratörlere uygulanacak her türlü periyodik ayar, bakım veya temizlik
 - Darbe Düğmeleri, Tahrir Kayışları, Kavrama, Çit Budama ya da Çim Bıçma Makinelerinin Bıçakları, Kayış Koşumlar, Kablo Gaz, Kömür Fırçalar, Güç Kablo, Dişler, Keçe Rondelalar, Bağlantı Pimleri, Üfleyci Pervaneleri, Üfleyci ve Vakum Boruları, Vakum Torbası ve Kayışları, Kılavuz Çubuklar, Zincir Testere, Hortumlar, Konektör bağlantıları, Püskürtme Memeleri, Çarklar, Püskürtme Çubukları, Dahili Makaralar, Harici Makaralar, Kesme Telleri, Bujiler, Hava Filtreleri, Gaz Filtreleri, Malçlama Bıçakları vb. gibi parçaları kapsayan, ancak bunlarla sınırlı olmayan, aşınma ve yıpranmaya tabi bileşenler (aksam ve aksesuarlar).
4. Ürünün servis için her ülkede aşağıdaki servis istasyonları adres listesinde yer alan yetkili bir RYOBI servis istasyonuna gönderilmesi ya götürülmesi gereklidir. Bazı ülkelerde, yerel RYOBI distribütörünüz ürünü RYOBI servis teşkilatına göndermeyi üstlenir. Bir ürün bir RYOBI servis istasyonuna gönderilirken, ürünün güvenli bir biçimde ambalajlanması, benzin gibi tehlikeli maddeler içermemesi, gönderenin adresini taşıması ve anızanın kısa bir açıklamasını içermesi gerekir.
5. Bu garanti kapsamında yapılacak onarım / değişiklik ücretsizdir. Garanti süresinin uzatılması ya da yeniden başlatılması anlamına gelmez. Değiştirilmiş parçalar veya aletler bize ait olur. Bazı ülkelerde teslim ücretleri veya posta giderlerinin gönderici tarafından ödenmesi gerekir. Alımdan kaynaklanan yasal haklarınız etkilenmez
6. Bu Garanti Avrupa Topluluğu, İsviçre, İzlanda, Norveç, Liechtenstein, Türkiye ve Rusya'da geçerlidir. Bu alanların dışında, başka bir garantinin geçerli olup olmadığını belirlemek için lütfen yetkili RYOBI distribütörünüzle irtibata geçin.

YETKİLİ SERVİS MERKEZİ

En yakın yetkili servis merkezini öğrenmek için <http://uk.ryobitools.eu/header/service-and-support/service-agents> sitesine girin.

EN DECLARATION OF CONFORMITY

Techtronic Industries GmbH
Max-Eyth-Straße 10, 71364 Winnenden, Germany

Herewith we declare that the product

Cordless Scarifier
Brand: RYOBI
Model number: RY18SF35A
Serial number range: 47520601000001 - 47520601999999

is in conformity with the following European Directives and harmonised standards

2006/42/EC, 2014/30/EU, 2011/65/EU, 2000/14/EC, 2005/88/EC,
EN 60335-1:2010+A11:2014-A13:2017, EN 50636-2-92:2014,
EN 55014-1:2017, EN 55014-2:2015, EN IEC 63000:2018

Measured sound power level: 93,3 dB(A)
Guaranteed sound power level: 95 dB(A)

Conformity assessment method to Annex VI Directive 2000/14/EC amended by 2005/88/EC.

Todd Chipner
Sr. Director, CPT Quality and Asia Regulatory & Safety
Winnenden, December 23, 2019

Authorised to compile the technical file:
Alexander Krug, Managing Director
Techtronic Industries GmbH
Max-Eyth-Straße 10, 71364 Winnenden, Germany

DE KONFORMITÄTSERKLÄRUNG

Techtronic Industries GmbH
Max-Eyth-Straße 10, 71364 Winnenden, Germany

Hiermit erklären wir, dass die Produkte

Akku-Vertikutierer
Marke: RYOBI
Modellnummer: RY18SF35A
Seriennummernbereich: 47520601000001 - 47520601999999

mit den folgenden europäischen Richtlinien und harmonisierten Normen übereinstimmt

2006/42/EC, 2014/30/EU, 2011/65/EU, 2000/14/EC, 2005/88/EC,
EN 60335-1:2010+A11:2014-A13:2017, EN 50636-2-92:2014,
EN 55014-1:2017, EN 55014-2:2015, EN IEC 63000:2018

Gemessener Schalleistungspegel: 93,3 dB(A)
Garantierter Schalleistungspegel: 95 dB(A)

Konformitätsbeurteilungsmethode zu Anhang VI Richtlinie 2000/14/EC wie durch 2005/88/EC.

Todd Chipner
Sr. Director, Qualität CPT und Regulierung und Sicherheit in Asien
Winnenden, December 23, 2019

Autorisiert die technische Datei zu erstellen:
Alexander Krug, Geschäftsführer
Techtronic Industries GmbH
Max-Eyth-Straße 10, 71364 Winnenden, Germany

FR DÉCLARATION DE CONFORMITÉ

Techtronic Industries GmbH
Max-Eyth-Straße 10, 71364 Winnenden, Germany

Déclarons par la présente que le produit

Scarificateur sans fil
Marque: RYOBI
Numéro de modèle: RY18SF35A
Étendue des numéros de série: 47520601000001 - 47520601999999

est conforme aux Directives Européennes et Normes Harmonisées suivantes

2006/42/EC, 2014/30/EU, 2011/65/EU, 2000/14/EC, 2005/88/EC, EN
2006/42/EC, 2014/30/EU, 2011/65/EU, 2000/14/EC, 2005/88/EC,
EN 60335-1:2010+A11:2014-A13:2017, EN 50636-2-92:2014,
EN 55014-1:2017, EN 55014-2:2015, EN IEC 63000:2018

Niveau de puissance sonore mesuré: 93,3 dB(A)
Niveau de puissance sonore garanti: 95 dB(A)

Méthode d'évaluation de conformité de l'annexe VI Directive 2000/14/EC modifiée 2005/88/EC.

Todd Chipner
Directeur principal, Qualité CPT et Réglementation/Sécurité pour la région Asie
Winnenden, December 23, 2019

Autorisé à rédiger le dossier technique:
Alexander Krug, Directeur Général
Techtronic Industries GmbH
Max-Eyth-Straße 10, 71364 Winnenden, Germany

ES DECLARACIÓN DE CONFORMIDAD

Techtronic Industries GmbH
Max-Eyth-Straße 10, 71364 Winnenden, Germany

Por la presente declaramos que los productos

Escarificador inalámbrico
Marca: RYOBI
Número de modelo: RY18SF35A
Intervalo del número de serie: 47520601000001 - 47520601999999

se encuentra en conformidad con las siguientes Directivas Europeas y normas armonizadas

2006/42/EC, 2014/30/EU, 2011/65/EU, 2000/14/EC, 2005/88/EC,
EN 60335-1:2010+A11:2014-A13:2017, EN 50636-2-92:2014,
EN 55014-1:2017, EN 55014-2:2015, EN IEC 63000:2018

Nivel de potencia acústica medido: 93,3 dB(A)
Nivel de potencia acústica garantizado: 95 dB(A)

Método de evaluación de conformidad con el anexo VI Directiva 2000/14/EC modificada por la 2005/88/EC.

Todd Chipner
Director principal, Calidad CPT y Normas y Seguridad para Asia
Winnenden, December 23, 2019

Autorizado para elaborar la ficha técnica:
Alexander Krug, Administrador Ejecutivo
Techtronic Industries GmbH
Max-Eyth-Straße 10, 71364 Winnenden, Germany

IT DICHIARAZIONE DI CONFORMITÀ

Techtronic Industries GmbH
Max-Eyth-Straße 10, 71364 Winnenden, Germany

Si dichiara con la presente che il prodotto

Scarificatore senza fili
Marca: RYOBI
Numero modello: RY18SFX35A
Gamma numero seriale: 47520601000001 - 47520601999999

è conforme alle seguenti Direttive Europee e ai seguenti standard armonizzati

2006/42/EC, 2014/30/EU, 2011/65/EU, 2000/14/EC, 2005/88/EC,
EN 60335-1:2010+A11:2014-A13:2017, EN 50636-2-92:2014,
EN 55014-1:2017, EN 55014-2:2015, EN IEC 63000:2018

Livello di potenza acustica misurato: 93,3 dB(A)

Livello di potenza sonora garantita: 95 dB(A)

Metodo di valutazione sulla conformità all'allegato VI Direttiva 2000/14/EC modificata con la 2005/88/EC.

Todd Chipner
Sig. Direttore, qualità CPT e sicurezza e normativa per l'Asia
Winnenden, December 23, 2019

Autorizzato per compilare il file tecnico:
Alexander Krug, Direttore Amministrativo
Techtronic Industries GmbH
Max-Eyth-Straße 10, 71364 Winnenden, Germany

PT DECLARAÇÃO DE CONFORMIDADE

Techtronic Industries GmbH
Max-Eyth-Straße 10, 71364 Winnenden, Germany

Pelo presente declaramos que os produtos

Escarificador sem fios
Marca: RYOBI
Número do modelo: RY18SFX35A
Intervalo do número de série: 47520601000001 - 47520601999999

se encontra em conformidade com as seguintes Directivas Europeias e normas harmonizadas

2006/42/EC, 2014/30/EU, 2011/65/EU, 2000/14/EC, 2005/88/EC,
EN 60335-1:2010+A11:2014-A13:2017, EN 50636-2-92:2014,
EN 55014-1:2017, EN 55014-2:2015, EN IEC 63000:2018

Nível de potência sonora medido: 93,3 dB(A)

Nível de potência sonora garantido: 95 dB(A)

Método de avaliação de conformidade para o anexo VI Diretiva 2000/14/EC alterada por 2005/88/EC.

Todd Chipner
Diretor Sénior, Qualidade CPT e Assuntos Regulamentares e de Segurança da Ásia
Winnenden, December 23, 2019

Autorizado para compilar o ficheiro técnico:
Alexander Krug, Administrador Executivo
Techtronic Industries GmbH
Max-Eyth-Straße 10, 71364 Winnenden, Germany

NL CONFORMITEITSVERKLARING

Techtronic Industries GmbH
Max-Eyth-Straße 10, 71364 Winnenden, Germany

Hierbij verklaren wij dat het product

Kabelloze vericuteerder
Merk: RYOBI
Modelnummer: RY18SFX35A
Serienummerbereik: 47520601000001 - 47520601999999

is in overeenstemming met de volgende Europese Richtlijnen en geharmoniseerde normen

2006/42/EC, 2014/30/EU, 2011/65/EU, 2000/14/EC, 2005/88/EC,
EN 60335-1:2010+A11:2014-A13:2017, EN 50636-2-92:2014,
EN 55014-1:2017, EN 55014-2:2015, EN IEC 63000:2018

Gemeten geluidsniveau: 93,3 dB(A)

Gegarandeerd geluidsniveau: 95 dB(A)

Evaluatiemethode conformiteit volgens bijlage VI Richtlijn 2000/14/EC gewijzigd door 2005/88/EC.

Todd Chipner
Sr. Directeur, CPT Kwaliteit en Azië Regelgeving en veiligheid
Winnenden, December 23, 2019

Afgevaardigde voor het samenstellen van de technische fiche:
Alexander Krug, Directeur
Techtronic Industries GmbH
Max-Eyth-Straße 10, 71364 Winnenden, Germany

DA OVERENSSTEMMELSESERKLÆRING

Techtronic Industries GmbH
Max-Eyth-Straße 10, 71364 Winnenden, Germany

Vi erklærer hermed, at produktet

Trådløs plænelufter
Brand: RYOBI
Modelnummer: RY18SFX35A
Serienummerområde: 47520601000001 - 47520601999999

er i overensstemmelse med følgende EU-direktiver og harmoniserede standarder

2006/42/EC, 2014/30/EU, 2011/65/EU, 2000/14/EC, 2005/88/EC,
EN 60335-1:2010+A11:2014-A13:2017, EN 50636-2-92:2014,
EN 55014-1:2017, EN 55014-2:2015, EN IEC 63000:2018

Målt støjniveau: 93,3 dB(A)

Garanteret støjniveau: 95 dB(A)

Overensstemmelsesvurderingsmetode til bilag VI Direktiv 2000/14/EC ændret ved 2005/88/EC.

Den relevante godkendelsesinstans:

Todd Chipner
Hr. Direktør, CPT Quality and Asia Regulatory & Safety
Winnenden, December 23, 2019

Bemyndiget til at udarbejde det tekniske kartotek:
Alexander Krug, Administrerende Direktør
Techtronic Industries GmbH
Max-Eyth-Straße 10, 71364 Winnenden, Germany

SV KONFORMITETSDEKLARATION

Techtronic Industries GmbH
Max-Eyth-Straße 10, 71364 Winnenden, Germany

Härmed deklarerar vi att produkterna

Sladdlös hackare
Märke: RYOBI
Modellnummer: RY18SFX35A
Serienummerintervall: 47520601000001 - 47520601999999

är i enlighet med följande EU-direktiv och harmoniserade standarder
2006/42/EC, 2014/30/EU, 2011/65/EU, 2000/14/EC, 2005/88/EC,
EN 60335-1:2010+A11:2014-A13:2017, EN 50636-2-92:2014,
EN 55014-1:2017, EN 55014-2:2015, EN IEC 63000:2018

Uppmätt ljudeffektsnivå: 93,3 dB(A)
Garanterad ljudeffektsnivå: 95 dB(A)

Konformitetsbedömning gjord enligt metod i VI Direktiv 2000/14/EC samt tilläggen i 2005/88/EC.

Todd Chipner
Teknisk chef, CPT-kvalitet samt regelverk och säkerhet för Asien
Winnenden, December 23, 2019

Godkänd att sammanställa den tekniska filen:
Alexander Krug, VD
Techtronic Industries GmbH
Max-Eyth-Straße 10, 71364 Winnenden, Germany

NO SAMSVARERKLÆRING

Techtronic Industries GmbH
Max-Eyth-Straße 10, 71364 Winnenden, Germany

Herved erklærer vi at produktet

Trådløs haxe
Märke: RYOBI
Modellnummer: RY18SFX35A
Serienummerserie: 47520601000001 - 47520601999999

er i samsvar med følgende europeiske direktiver og harmoniserte standarder
2006/42/EC, 2014/30/EU, 2011/65/EU, 2000/14/EC, 2005/88/EC, EN
2006/42/EC, 2014/30/EU, 2011/65/EU, 2000/14/EC, 2005/88/EC,
EN 60335-1:2010+A11:2014-A13:2017, EN 50636-2-92:2014,
EN 55014-1:2017, EN 55014-2:2015, EN IEC 63000:2018

Målt lydteffektnivå: 93,3 dB(A)
Garantert lydteffektnivå: 95 dB(A)

Metode for vurdering av konformitet til Tillegg VI Direktiv 2000/14/EC endret ved 2005/88/EC.

Todd Chipner
Sr. direktør, CPT kvalitet, samt juridisk og sikkerhet for Asia
Winnenden, December 23, 2019

Autorisert til å sette sammen den tekniske filen:
Alexander Krug, Administrerende Direktør
Techtronic Industries GmbH
Max-Eyth-Straße 10, 71364 Winnenden, Germany

FI SÄÄNNÖSTEN NOUDATTAMINEN

Techtronic Industries GmbH
Max-Eyth-Straße 10, 71364 Winnenden, Germany

Ilmoitamme täten, että tuotteet

Akkukäyttöinen nummikoneilytin
Tuotemerkki: RYOBI
Mallinumero: RY18SFX35A
Sarjanumerosalue: 47520601000001 - 47520601999999

noudattaa seuraavia EU-direktiivejä ja harmonoituja standardeja
2006/42/EC, 2014/30/EU, 2011/65/EU, 2000/14/EC, 2005/88/EC,
EN 60335-1:2010+A11:2014-A13:2017, EN 50636-2-92:2014,
EN 55014-1:2017, EN 55014-2:2015, EN IEC 63000:2018

Mitattu äänenteho: 93,3 dB(A)
Taattu äänenteho: 95 dB(A)

Säännösten noudattaminen tarkastettu direktiivin 2000/14/EC liitteen VI mukaisesti muunnettu direktiivillä 2005/88/EC.

Todd Chipner
Vanhempi, CPT-toimitusten laadusta ja Aasian alueen sääntelystä ja turvallisuudesta
vastaava johtaja
Winnenden, December 23, 2019

Valtuutettu kokoamaan tekninen tiedosto:
Alexander Krug, Toimitusjohtaja
Techtronic Industries GmbH
Max-Eyth-Straße 10, 71364 Winnenden, Germany

RU ЗАЯВЛЕНИЕ О СООТВЕТСТВИИ ТРЕБОВАНИЯМ

Techtronic Industries GmbH
Max-Eyth-Straße 10, 71364 Winnenden, Germany

Настоящим мы заявляем, что данный продукт

Беспроводной скарификатор
Марка: RYOBI
Номер модели: RY18SFX35A
Диапазон заводских номеров: 47520601000001 - 47520601999999

соответствует требованиям следующих Директив ЕС и согласованных стандартов
2006/42/EC, 2014/30/EU, 2011/65/EU, 2000/14/EC, 2005/88/EC,
EN 60335-1:2010+A11:2014-A13:2017, EN 50636-2-92:2014,
EN 55014-1:2017, EN 55014-2:2015, EN IEC 63000:2018

Измеренный уровень звуковой мощности: 93,3 dB(A)
Гарантируемый уровень звуковой мощности: 95 dB(A)

Способ оценки соответствия, приложение VI к директиве 2000/14/EC с изменениями 2005/88/EC.

Todd Chipner
Г-н Директор по контролю качества продукции CPT, нормативов и безопасности
в Азиатском регионе
Winnenden, December 23, 2019

Лицо, ответственное за подготовку технической документации:
Alexander Krug, Директор
Techtronic Industries GmbH
Max-Eyth-Straße 10, 71364 Winnenden, Germany

PL DEKLARACJA ZGODNOŚCI

Techtronic Industries GmbH
Max-Eyth-Straße 10, 71364 Winnenden, Germany

Niniejszym deklarujemy, że produkty

Wertykulator akumulatorowy
Marka: RYOBI
Numer modelu: RY18SFX35A
Zakres numerów seryjnych: 47520601000001 - 47520601999999

jest zgodny z następującymi dyrektywami europejskimi i zharmonizowanymi normami

2006/42/EC, 2014/30/EU, 2011/65/EU, 2000/14/EC, 2005/88/EC,
EN 60335-1:2010+A11:2014-A13:2017, EN 50636-2-92:2014,
EN 55014-1:2017, EN 55014-2:2015, EN IEC 63000:2018

Zmierzony poziom natężenia hałasu: 93,3 dB(A)
Maksymalny poziom natężenia hałasu: 95 dB(A)

Metoda ocena zgodności zgodnie z aneksem VI Dyrektywa 2000/14/EC zmieniona przez dyrektywę 2005/88/EC.



Todd Chipner
Starszy dyrektor ds. jakości elektronarzędzi konsumenckich oraz przepisów i bezpieczeństwa na Azję
Winnenden, December 23, 2019

Osoba upoważniona do sporządzenia dokumentu technicznego:
Alexander Krug, Dyrektor Zarządzający
Techtronic Industries GmbH
Max-Eyth-Straße 10, 71364 Winnenden, Germany

HU MEGFELELŐSÉGI NYILATKOZAT

Techtronic Industries GmbH
Max-Eyth-Straße 10, 71364 Winnenden, Germany

Ezúton kijelentjük, hogy a termékek

Akkumulátoros talajazlító
Márka: RYOBI
Típuszám: RY18SFX35A
Sorozatszám tartomány: 47520601000001 - 47520601999999

megfelel az alábbi Európai irányelvek és harmonizált szabványok vonatkozó rendelkezéseinek

2006/42/EC, 2014/30/EU, 2011/65/EU, 2000/14/EC, 2005/88/EC,
EN 60335-1:2010+A11:2014-A13:2017, EN 50636-2-92:2014,
EN 55014-1:2017, EN 55014-2:2015, EN IEC 63000:2018

Mért hangteljesítményszint: 93,3 dB(A)
Garantált hangteljesítményszint: 95 dB(A)

A megfelelőségi értékelési eljárás a 2000/14/EC irányelv VI. függeléke szerint történt által módosított 2005/88/EC irányelv.



Todd Chipner
Senior igazgató, CPT minőség, ázsiai szabályozás és biztonság
Winnenden, December 23, 2019

A műszaki dokumentáció összeállítására felhatalmazott:
Alexander Krug, Ügyvezető Igazgató
Techtronic Industries GmbH
Max-Eyth-Straße 10, 71364 Winnenden, Germany

CS PROHLÁŠENÍ O SHODĚ

Techtronic Industries GmbH
Max-Eyth-Straße 10, 71364 Winnenden, Germany

Tímto prohlašujeme, že výrobky

Akkumulátorový roznývač
Značka: RYOBI
Číslo modelu: RY18SFX35A
Rozsah sériových čísel: 47520601000001 - 47520601999999

že tento výrobek je v souladu s evropskými a harmonizovanými standardy

2006/42/EC, 2014/30/EU, 2011/65/EU, 2000/14/EC, 2005/88/EC,
EN 60335-1:2010+A11:2014-A13:2017, EN 50636-2-92:2014,
EN 55014-1:2017, EN 55014-2:2015, EN IEC 63000:2018

Změřená hladina akustického výkonu: 93,3 dB(A)
Zaručená hladina akustického výkonu: 95 dB(A)

Soulad s metodou určování pro přílohu VI směrnice 2000/14/EC upravená 2005/88/EC.



Todd Chipner
Vrchní ředitel, jakost elektrického nářadí (CPT) a předpisy a bezpečnost pro Asii
Winnenden, December 23, 2019

Pověření ke kompilaci technického souboru:
Alexander Krug, Generální ředitel
Techtronic Industries GmbH
Max-Eyth-Straße 10, 71364 Winnenden, Germany

RO DECLARAȚIE DE CONFORMITATE

Techtronic Industries GmbH
Max-Eyth-Straße 10, 71364 Winnenden, Germany

Prin prezenta, declarăm că produsele

Sapă de mică adâncime fără fir
Marcă: RYOBI
Număr serie: RY18SFX35A
Gamă număr serie: 47520601000001 - 47520601999999

este în conformitate cu următoarele Directive Europene și standarde armonizate

2006/42/EC, 2014/30/EU, 2011/65/EU, 2000/14/EC, 2005/88/EC,
EN 60335-1:2010+A11:2014-A13:2017, EN 50636-2-92:2014,
EN 55014-1:2017, EN 55014-2:2015, EN IEC 63000:2018

Nivelul măsurat al puterii acustice: 93,3 dB(A)
Nivel garantat al puterii acustice: 95 dB(A)

Metoda de evaluare a conformității cu Anexa VI Directiva 2000/14/EC modificată prin 2005/88/EC.



Todd Chipner
Director Senior, Calitate Unelte Electrice și Siguranță & Reglementare Asia
Winnenden, December 23, 2019

Autorizat să completeze fișa tehnică:
Alexander Krug, Director General
Techtronic Industries GmbH
Max-Eyth-Straße 10, 71364 Winnenden, Germany

LV ATBILSTĪBAS DEKLARĀCIJA

Techtronic Industries GmbH
Max-Eyth-Straße 10, 71364 Winnenden, Germany

Ar šo paziņojam, ka produkti

Akumulatoru skarifikators
Zīmols: RYOBI
Modeļa numurs: RY18SFX35A
Sērijas numura intervāls: 47520601000001 - 47520601999999

atbilst šādām Eiropas direktīvām un saskaņotajiem standartiem

2006/42/EC, 2014/30/EU, 2011/65/EU, 2000/14/EC, 2005/88/EC,
EN 60335-1:2010+A11:2014-A13:2017, EN 50636-2-92:2014,
EN 55014-1:2017, EN 55014-2:2015, EN IEC 63000:2018

Izmērtās skaņas jaudas līmenis: 93,3 dB(A)
Garantētais skaņas intensitātes līmenis: 95 dB(A)

Atbilstības novērtēšanas metode pielikumam VI Direktīvai 2000/14/EC labota
2005/88/EC.



Todd Chipner
Vecākais Direktors, CPT kvalitāte un Āzijas atbilstība un drošība
Winnenden, December 23, 2019

Pilnvarots sastādīt tehnisko failu:
Alexander Krug, Izpildītājs
Techtronic Industries GmbH
Max-Eyth-Straße 10, 71364 Winnenden, Germany

ET VASTAVUSDEKLARATSIOON

Techtronic Industries GmbH
Max-Eyth-Straße 10, 71364 Winnenden, Germany

Kinnitame, et see toode

Juhtmeta murukobestaja
Mark: RYOBI
Mudeli number: RY18SFX35A
Seerianumbri vahemik: 47520601000001 - 47520601999999

vastab järgmistele Euroopa direktiividele ja harmoniseeritud standarditele

2006/42/EC, 2014/30/EU, 2011/65/EU, 2000/14/EC, 2005/88/EC,
EN 60335-1:2010+A11:2014-A13:2017, EN 50636-2-92:2014,
EN 55014-1:2017, EN 55014-2:2015, EN IEC 63000:2018

Möödetud helivõimsuse tase: 93,3 dB(A)
Garanteeritud helivõimsuse tase: 95 dB(A)

Vastavushindamine vastavalt lisale VI direktiivis 2000/14/EC muudetud direktiiviga
2005/88/EC.



Todd Chipner
Vanemdirektor, mootortööriistade kvaliteet ning Aasia järelevalve ja ohutus
Winnenden, December 23, 2019

Tehnilise faili koostamiseks volitatud isik:
Alexander Krug, Tegevdirektor
Techtronic Industries GmbH
Max-Eyth-Straße 10, 71364 Winnenden, Germany

LT ATITIKTIES DEKLARACIJA

Techtronic Industries GmbH
Max-Eyth-Straße 10, 71364 Winnenden, Germany

Mes pareiškiame, kad šie produktai

Akumulatorinis skarifikatorius
Prekės ženklas: RYOBI
Modelio numeris: RY18SFX35A
Serijinio numerio diapazonas: 47520601000001 - 47520601999999

pagamintas laikantis toliau nurodytųjų Europos Direktyvų ir darniųjų standartų

2006/42/EC, 2014/30/EU, 2011/65/EU, 2000/14/EC, 2005/88/EC,
EN 60335-1:2010+A11:2014-A13:2017, EN 50636-2-92:2014,
EN 55014-1:2017, EN 55014-2:2015, EN IEC 63000:2018

Išmatuotas akustinis lygis: 93,3 dB(A)
Garantuotas akustinis lygis: 95 dB(A)

Atitikties įvertinimo metodas pagal direktyvos 2000/14/EC, VI Priedą su pataisomis
2005/88/EC.



Todd Chipner
Vyr. direktorius, BEJ kokybės ir reglamentavimo bei saugos Azijoje skyrius
Winnenden, December 23, 2019

[galiotas sudaryti techninį failą:
Alexander Krug, Generalinis Direktorius
Techtronic Industries GmbH
Max-Eyth-Straße 10, 71364 Winnenden, Germany

HR IZJAVA O USKLADENOSTI

Techtronic Industries GmbH
Max-Eyth-Straße 10, 71364 Winnenden, Germany

Ovime izjavljujemo da su proizvodi

Akumulatorska grebaloica
Marka: RYOBI
Broj modela: RY18SFX35A
Raspon serijskog broja: 47520601000001 - 47520601999999

usklađen sa sljedećim Europskim Direktivama i usklađenim normama

2006/42/EC, 2014/30/EU, 2011/65/EU, 2000/14/EC, 2005/88/EC,
EN 60335-1:2010+A11:2014-A13:2017, EN 50636-2-92:2014,
EN 55014-1:2017, EN 55014-2:2015, EN IEC 63000:2018

Izmjerena razina zvučne snage: 93,3 dB(A)
Jamčena razina zvučne snage: 95 dB(A)

Metoda procjene usklađenosti prema Dodatku VI Direktive 2000/14/EC navedeno
u 2005/88/EC.



Todd Chipner
Viši direktor, Odjel za upravljanje kvalitetom CPT alata, regulative i sigurnosti za
područje Azije
Winnenden, December 23, 2019

Ovlašten da sastavi tehničku datoteku:
Alexander Krug, Direktor Upravljanja
Techtronic Industries GmbH
Max-Eyth-Straße 10, 71364 Winnenden, Germany

SL IZJAVA O SKLADNOSTI

Techtronic Industries GmbH
Max-Eyth-Straße 10, 71364 Winnenden, Germany

Izjavljamo, da je izdelek

Brezžična brana
Znamka: RYOBI
Številka modela: RY18SFX35A
Razpon serijskih števil: 47520601000001 - 47520601999999

v skladu s sledečimi evropskimi direktivami in harmoniziranimi standardi
2006/42/EC, 2014/30/EU, 2011/65/EU, 2000/14/EC, 2005/88/EC,
EN 60335-1:2010+A11:2014-A13:2017, EN 50636-2-92:2014,
EN 55014-1:2017, EN 55014-2:2015, EN IEC 63000:2018

Izmerjena raven zvočne moči: 93,3 dB(A)
Zajamčena raven zvočne moči: 95 dB(A)

Način ugotavljanja skladnosti z aneksom VI direktive 2000/14/EC ki je bila spremenjena z 2005/88/EC.

Priglašeni organ 0197 TÜV Rheinland LGA Products GmbH; Tillystraße 2 D - 90431 Nürnberg, Germany je izdelal ES-odobritev tipa in številka certifikata je: BM 50439329 001. Test Report: 15070892 003.



Todd Chipner

Višji direktor, oddelek za kakovost potrošniškega električnega orodja ter regulativno in varnost za Azijo
Winnenden, December 23, 2019

Pooblaščen oseba za sestavo tehnične dokumentacije:
Alexander Krug, Izvršni Direktor
Techtronic Industries GmbH
Max-Eyth-Straße 10, 71364 Winnenden, Germany

BG ДЕКЛАРАЦИЯ НА ЗА СЪОТВЕТСТВИЕ

Techtronic Industries GmbH
Max-Eyth-Straße 10, 71364 Winnenden, Germany

С настоящето декларираме, че продуктите

Безжичен скарфикатор
Марка: RYOBI
Номер на модела: RY18SFX35A
Обхват на серийни номера: 47520601000001 - 47520601999999

отговаря на следните директиви на ЕС и хармонизирани стандарти
2006/42/EC, 2014/30/EU, 2011/65/EU, 2000/14/EC, 2005/88/EC,
EN 60335-1:2010+A11:2014-A13:2017, EN 50636-2-92:2014,
EN 55014-1:2017, EN 55014-2:2015, EN IEC 63000:2018

Измерено ниво на шум: 93,3 dB(A)
Гарантирано ниво на шум 95 dB(A)

Метод за оценяване на съответствието с приложение VI Директива 2000/14/EC, изменена от 2005/88/EC.



Todd Chipner

Главен директор, Качество на CPT и нормативно съответствие и безопасност за Азия
Winnenden, December 23, 2019

Упълномощено лице за съставяне на техничския файл:
Alexander Krug, Изпълнителен Директор
Techtronic Industries GmbH
Max-Eyth-Straße 10, 71364 Winnenden, Germany

SK PREHLÁSENIE O ZHODE

Techtronic Industries GmbH
Max-Eyth-Straße 10, 71364 Winnenden, Germany

Týmto vyhlasujeme, že výrobok

Akumulátorový prevzdušňovač
Značka: RYOBI
Číslo modelu: RY18SFX35A
Rozsah sériových čísiel: 47520601000001 - 47520601999999

je v súlade s nasledujúcimi Európskymi smernicami a harmonizovanými normami
2006/42/EC, 2014/30/EU, 2011/65/EU, 2000/14/EC, 2005/88/EC,
EN 60335-1:2010+A11:2014-A13:2017, EN 50636-2-92:2014,
EN 55014-1:2017, EN 55014-2:2015, EN IEC 63000:2018

Nameraná úroveň hluku: 93,3 dB(A)
Garantovaná úroveň hluku: 95 dB(A)

Spôsob určenia zhody podľa Dodatku VI Smernica 2000/14/EC doplnená o 2005/88/EC.



Todd Chipner

vyšší riaditeľ, kvalita spotrebiteľského elektrického náradia, regulačné záležitosti pre Áziu a bezpečnosť
Winnenden, December 23, 2019

Oprávnená osoba na zostavenie technického súboru:
Alexander Krug, Generálny Riaditeľ
Techtronic Industries GmbH
Max-Eyth-Straße 10, 71364 Winnenden, Germany

UK ДЕКЛАРАЦИЯ ПРО ВІДПОВІДНІСТЬ

Techtronic Industries GmbH
Max-Eyth-Straße 10, 71364 Winnenden, Germany

При цьому ми заявляємо, що продукт

Бездротовий розпушувач
Марка: RYOBI
Номер моделі: RY18SFX35A
Діапазон серійного номеру: 47520601000001 - 47520601999999

у відповідності з наступними європейськими директивами та гармонізованими стандартами
2006/42/EC, 2014/30/EU, 2011/65/EU, 2000/14/EC, 2005/88/EC,
EN 60335-1:2010+A11:2014-A13:2017, EN 50636-2-92:2014,
EN 55014-1:2017, EN 55014-2:2015, EN IEC 63000:2018

Вимірний рівень звукової потужності: 93,3 dB(A)
Гарантований рівень звукової потужності: 95 dB(A)

Метод оцінки відповідності Annex VI Directive 2000/14/EC з поправками, внесеними 2005/88 / EC



Todd Chipner

Ген. директор з питань якості CPT, і регулювання охорони праці та техніки безпеки в Азії
Winnenden, December 23, 2019

Дозвіл на складання технічного файлу:
Alexander Krug, керуючий Директор
Techtronic Industries GmbH
Max-Eyth-Straße 10, 71364 Winnenden, Germany

TR UYGUNLUK BEYANI

Techtronic Industries GmbH
Max-Eyth-StraÙe 10, 71364 Winnenden, Germany

İř bu belge ile bu ürünün

Kablosuz Tırmık

Marka: RYOBI

Model numarası: RY18SFX35A

Seri numarası aralıđı: 47520601000001 - 47520601999999

ařađıdaki Avrupa Direktiflerine ve uyumlařtırılmıř standartlara uygun olduđunu beyan ediyorum

2006/42/EC, 2014/30/EU, 2011/65/EU, 2000/14/EC, 2005/88/EC,

EN 60335-1:2010+A11:2014-A13:2017, EN 50636-2-92:2014,

EN 55014-1:2017, EN 55014-2:2015, EN IEC 63000:2018

Ölçülen ses gücü seviyesi: 93,3 dB(A)

Güvenceli ses gücü seviyesi: 95 dB(A)

2005/88/AT ile deđiřtirilen 2000/14/AT Direktifi Ek VI uyarınca uygunluk deđerlendirmesi yöntemi



CE

Todd Chipner

Kıdemli Direktör, CPT Kalitesi ve Asya Düzenleme ve Güvenlik
Winnenden, December 23, 2019

Teknik dosyayı derlemekle yetkili sorumlu:

Alexander Krug, Genel Müdür

Techtronic Industries GmbH

Max-Eyth-StraÙe 10, 71364 Winnenden, Germany





- EN** RYOBI is a trademark of Ryobi Limited, and is used under license.
© 2019 Techtronic Cordless GP. All rights reserved.
- FR** RYOBI est une marque déposée de Ryobi Limited, et est utilisée sous licence.
© 2019 Techtronic Cordless GP. Tous droits réservés.
- DE** RYOBI ist ein Markenzeichen von Ryobi Limited und wird in Lizenz verwendet.
© 2019 Techtronic Cordless GP. Alle Rechte vorbehalten.
- ES** RYOBI es una marca registrada de Ryobi Limited, y se utiliza bajo licencia.
© 2019 Techtronic Cordless GP. Todos los derechos reservados.
- IT** L'utilizzo del marchio registrato RYOBI è legato alla licenza concessa da Ryobi Limited.
© 2019 Techtronic Cordless GP. Tutti i diritti riservati.
- NL** RYOBI is een handelsmerk van Ryobi Limited en wordt onder licentie gebruikt.
© 2019 Techtronic Cordless GP. Alle rechten voorbehouden.
- PT** RYOBI é uma marca comercial de Ryobi Limited, e é utilizada sob licença.
© 2019 Techtronic Cordless GP. Todos os direitos reservados.
- DA** RYOBI er et varemærke tilhørende Ryobi Limited og bruges under licens.
© 2019 Techtronic Cordless GP. Alle rettigheder forbeholdes.
- SV** RYOBI är en del av varumärke Ryobi Limited och dess användning är licensierad.
© 2019 Techtronic Cordless GP. Alla rättigheter förbehålls.
- FI** RYOBI on Ryobi Limitedin omistama tavaramerkki, ja sitä käytetään lisenssin puitteissa.
© 2019 Techtronic Cordless GP. Kaikki oikeudet pidätetään.
- NO** RYOBI er et varemærke for Ryobi Limited, og brukes under lisens.
© 2019 Techtronic Cordless GP. Alle rettigheter forbeholdt.
- RU** RYOBI является товарным знаком компании Ryobi Limited, используемым по лицензии.
© 2019 Techtronic Cordless GP. Все права защищены.
- PL** RYOBI to znak towarowy firmy Ryobi Limited i jest używany zgodnie z udzieloną licencją.
© 2019 Techtronic Cordless GP. Wszelkie prawa zastrzeżone.
- CS** RYOBI je ochranná známka společnosti Ryobi Limited a její používání podléhá licenci.
© 2019 Techtronic Cordless GP. Všechna práva vyhrazena.
- HU** A RYOBI a Ryobi Limited védjegye, használatát licenc keretében történik.
© 2019 Techtronic Cordless GP. Minden jog fenntartva.
- RO** RYOBI este o marcă comercială a firmei Ryobi Limited și este utilizată sub licență.
© 2019 Techtronic Cordless GP. Toate drepturile rezervate.
- LV** RYOBI ir Ryobi Limited preču zīme un tiek izmantota saskaņā ar licenci.
© 2019 Techtronic Cordless GP. Visas tiesības aizsargātas.
- LT** „RYOBI” yra „Ryobi Limited” prekės ženklas, naudojamas pagal licenciją.
© 2019 Techtronic Cordless GP. Visos teisės saugomos.
- ET** RYOBI on ettevõtte Ryobi Limited kaubamärk, mida kasutatakse litsentsi alusel.
© 2019 Techtronic Cordless GP. Kõik õigused kaitsitud.
- HR** RYOBI je žig tvrtke Ryobi Limited i koristi se po licenci.
© 2019 Techtronic Cordless GP. Sva prava pridržana.
- SL** RYOBI je blagovna znamka družbe Ryobi Limited in se uporablja na podlagi dovoljenja.
© 2019 Techtronic Cordless GP. Vse pravice pridržane.
- SK** RYOBI je ochranná známka spoločnosti Ryobi Limited a používa sa na základe licencie.
© 2019 Techtronic Cordless GP. Všetky práva vyhradené.
- BG** RYOBI е търговска марка на Ryobi Limited и се използва под лиценз.
© 2019 Techtronic Cordless GP. Всички права запазени.
- UK** RYOBI є товарним знаком Ryobi Limited, і використовується за ліцензією.
© 2019 Techtronic Cordless GP. Усі права зберігаються.
- TR** RYOBI, Ryobi Limited şirketine ait olup, lisans altında kullanılan bir ticari markadır.
© 2019 Techtronic Cordless GP. Tüm hakları saklıdır.





Techtronic Industries GmbH
Max-Eyth-Straße 10,
71364 Winnenden, Germany

099234001001-01