

RYOBI®

RBG6G1

ORIGINAL INSTRUCTIONS

TRADUCTION DES INSTRUCTIONS ORIGINALES
ÜBERSETZUNG DER ORIGINALANLEITUNG
TRADUCCIÓN DE LAS INSTRUCCIONES ORIGINALES
TRADUZIONE DELLE ISTRUZIONI ORIGINALI
VERTALING VAN DE ORIGINELE INSTRUCTIES
TRADUÇÃO DAS INSTRUÇÕES ORIGINAIS
OVERSÆTTELSE AF DE ORIGINALE INSTRUKTIONER
ÖVERSÄTTNING AV DE URSPRUNGLIGA INSTRUKTIONERNA
ALKUPERÄISTEN OHJEIDEN SUOMENNOS
OVERSETTELSE AV DE ORIGINALE INSTRUKSJONENE
ИНСТРУКЦИЯ ПО ЭКСПЛУАТАЦИИ
TŁUMACZENIE INSTRUKCJI ORYGINALNEJ
PŘEKLAD ORIGINÁLNÍCH POKYNŮ
AZ EREDETI ÚTMUTATÓ FORDÍTÁSA
TRADUCEREA INSTRUCȚIUNILOR ORIGINALE
TULKOTS NO ORIGINĀLĀS INSTRUKCIJAS
ORIGINALIŲ INSTRUKCIJŲ VERTIMAS
ORIGINAALJUHENDI TÖLGE
PRIJEVOD ORIGINALNIH UPUTA
PREVOD ORIGINALNIH NAVODIL
PREKLAD ORIGINÁLNYCH POKYNOV
ПРЕВОД ОТ ОРИГИНАЛНИТЕ ИНСТРУКЦИИ
ПЕРЕКЛАД ОРИГІНАЛЬНИХ ІНСТРУКЦІЙ
ORIJINAL TALIMATLARIN TERCÜMESİ
ΜΕΤΑΦΡΑΣΗ ΤΩΝ ΠΡΩΤΟΤΥΠΩΝ ΟΔΗΓΙΩΝ

EN
FR
DE
ES
IT
NL
PT
DA
SV
FI
NO
RU
PL
CS
HU
RO
LV
LT
ET
HR
SL
SK
BG
UK
TR
EL





Important!	It is essential that you read the instructions in this manual before assembling, maintaining and operating the product.
Attention!	Il est essentiel que vous lisiez les instructions contenues dans ce manuel avant d'assembler, d'entretenir et d'utiliser le produit.
Achtung!	Es ist wichtig, dass Sie vor Zusammenbau, Wartung und Benutzung des Produktes die Anweisungen in dieser Anleitung lesen.
¡Atención!	Resulta fundamental que lea este manual de instrucciones antes de realizar el montaje, el mantenimiento y de utilizar este producto
Attenzione!	E' importante leggere le istruzioni contenute nel presente manuale prima di montare il prodotto, svolgere le operazioni di manutenzione sullo stesso e metterlo in funzione.
Let op!	Het is van essentieel belang dat u de instructies in deze gebruiksaanwijzing leest voor u het product monteert, onderhoudt en gebruikt.
Atenção!	É fundamental que leia as instruções deste manual antes da montagem, manutenção e operação do aparelho.
OBS!	Det er vigtigt, at man læser instrukserne i denne brugsanvisning, inden man samler, vedligeholder og betjener produktet.
Observera!	Det är viktigt att du läser instruktionerna i manualen före montering, användning och underhåll av produkten.
Huomio!	On tärkeää, että luet tämän käsikirjan ohjeet ennen tuotteen kokoamista, huoltoa ja käyttöä.
Advarsel!	Det er viktig at du leser instruksjonene i denne manualen før sammensetning, vedlikehold og bruk av produktet
Внимание!	Необходимо прочитать инструкции в данном руководстве перед сборкой, обслуживанием и эксплуатацией этого изделия.
Uwaga!	Koniecznle należy przeczytać instrukcje zawarte w tym podręczniku przed montażem, obsługą oraz konserwacją produktu.
Důležitost upozornění!	Neinstalujte, neprovádějte údržbu ani nepoužívejte tento výrobek dřív, než si přečtete pokyny uvedené v tomto návodu.
Figyelem!	Fontos, hogy a termék összeszerelése, karbantartása és használatá elött elolvassa a kézikönyvben található utasításokat.
Atenție!	Este esențial să citiți instrucțiunile din acest manual înainte de asamblare, efectuarea întreținerii și operarea produsului.
Uzmanību!	Ir svarīgi izlasīt šīs rokasgrāmatas instrukcijas pirms uzstādīšanas, apkopes un preces darbināšanas.
Démesio!	Prieš surenkant, prižiūrint ir naudojant gaminį, būtina perskaityti šiam vadove pateiktus nurodymus.
Tähtis!	Enne masina kokkupanekut, hooldamist ja kasutama hakkamist tuleb käesolevas juhendis esitatud juhised kindlasti läbi lugeda.
Upozorenje!	Vrlo je važno da ste prije sklapanja, održavanja i rada s ovim proizvodom pročitali upute u ovom priručniku.
Pomembno!	Pomembno je da pred montažo vzdrževanjem in uporabo tega izdelka preberete navodila v tem priročniku.
Upzornenie!	Je dôležité, aby ste si pred montážou, údržbou a obsluhou produktu prečítali pokyny v tomto návode.
Важно!	Исключительно важно е да прочетете инструкциите в настоящото ръководство, преди да преминете към сглобяване, поддръжка или работа с продукта.
Важливо!	Дуже важливо, щоб ви прочитали інструкції в цьому керівництві перед складанням, обслуговуванням та експлуатацією цієї машини.
Dikkat!	Ürünün montajını, bakımını yapmadan ve ürünü çalıştırmadan önce bu kılavuzda yer alan talimatları okumanız önemlidir.
Προσοχή!	Είναι πολύ σημαντικό να διαβάσετε τις οδηγίες στο παρόν εγχειρίδιο πριν συναρμολογήσετε, συντηρήσετε ή λειτουργήσετε το προϊόν.

Subject to technical modification | Sous réserve de modifications techniques | Technische Änderungen vorbehalten | Bajo reserva de modificaciones técnicas | Con riserva di eventuali modifiche tecniche | Technische wijzigingen voorbehouden | Com reserva de modificações técnicas | Med forbehold for tekniske ændringer | Med förbehåll för tekniska ändringar | Tekniset muutokset varataan | Med forbehold om tekniske ændringer | могут быть внесены технические изменения | Z zastrzeżeniem modyfikacji technicznych | Změny technických údajů vyhrazeny | A műszaki módosítás jogát fenntartjuk | Sub rezerva modifiцаiilor tehnice | Paturam tiesības mainīt tehniskos raksturlielumus | Pasiliekan teisę daryti techninius pakeitimus | Tehnilised muudatused võimalikud | Podloženo tehničkim promjenama | Tehnične spremembe dopuščene | Právo na technické zmeny je vyhradené | Подлежи на технически модификации | Є об'єктом для технічних змін | Teknik değişiklik hakkı saklıdır | Υπό την επιφύλαξη τεχνικών τροποποιήσεων





Safety, performance, and dependability have been given top priority in the design of your bench grinder.

INTENDED USE

- This bench grinder is intended for grinding and shaping metal. The product can be used to sharpen metal hand tools (e.g., chisels, axes, knives) and drill bits, and remove burrs or sharp edges.
- With the proper accessories, the product can be used for cleaning metal surfaces using a wire brush or for buffing and polishing using a cloth wheel.
- Never use the product for cut-off operations.

GENERAL POWER TOOL SAFETY WARNINGS

WARNING

Read all safety warnings, instructions, illustrations and specifications provided with this power tool. Failure to follow all instructions listed below may result in electric shock, fire and/or serious injury.

Save all warnings and instructions for future reference. The term "power tool" in the warnings refers to your mains-operated (corded) power tool or battery-operated (cordless) power tool.

WORK AREA SAFETY

- **Keep work area clean and well lit.** Cluttered or dark areas invite accidents.
- **Do not operate power tools in explosive atmospheres, such as in the presence of flammable liquids, gases or dust.** Power tools create sparks which may ignite the dust or fumes.
- **Keep children and bystanders away while operating a power tool.** Distractions can cause you to lose control.

ELECTRICAL SAFETY

- **Power tool plugs must match the outlet. Never modify the plug in any way. Do not use any adapter plugs with earthed (grounded) power tools.** Unmodified plugs and matching outlets will reduce risk of electric shock.
- **Avoid body contact with earthed or grounded surfaces, such as pipes, radiators, ranges and refrigerators.** There is an increased risk of electric shock if your body is earthed or grounded.
- **Do not expose power tools to rain or wet conditions.** Water entering a power tool will increase the risk of electric shock.
- **Do not abuse the cord. Never use the cord for carrying, pulling or unplugging the power tool. Keep cord away from heat, oil, sharp edges or moving parts.** Damaged or entangled cords increase the risk of electric shock.

- **When operating a power tool outdoors, use an extension cord suitable for outdoor use.** Use of a cord suitable for outdoor use reduces the risk of electric shock.
- **If operating a power tool in a damp location is unavoidable, use a residual current device (RCD) protected supply.** Use of an RCD reduces the risk of electric shock.

PERSONAL SAFETY

- **Stay alert, watch what you are doing and use common sense when operating a power tool. Do not use a power tool while you are tired or under the influence of drugs, alcohol or medication.** A moment of inattention while operating power tools may result in serious personal injury.
 - **Use personal protective equipment. Always wear eye protection.** Protective equipment such as a dust mask, non-skid safety shoes, hard hat, or hearing protection used for appropriate conditions will reduce personal injuries.
 - **Prevent unintentional starting. Ensure the switch is in the off -position before connecting to power source and/or battery pack, picking up or carrying the tool.** Carrying power tools with your finger on the switch or energising power tools that have the switch on invites accidents.
 - **Remove any adjusting key or wrench before turning the power tool on.** A wrench or a key left attached to a rotating part of the power tool may result in personal injury.
 - **Do not overreach. Keep proper footing and balance at all times.** This enables better control of the power tool in unexpected situations.
 - **Dress properly. Do not wear loose clothing or jewellery. Keep your hair and clothing away from moving parts.** Loose clothes, jewellery or long hair can be caught in moving parts.
 - **If devices are provided for the connection of dust extraction and collection facilities, ensure these are connected and properly used.** Use of dust collection can reduce dust-related hazards.
 - **Do not let familiarity gained from frequent use of tools allow you to become complacent and ignore tool safety principles.** A careless action can cause severe injury within a fraction of a second.
- ### POWER TOOL USE AND CARE
- **Do not force the power tool. Use the correct power tool for your application.** The correct power tool will do the job better and safer at the rate for which it was designed.
 - **Do not use the power tool if the switch does not turn it on and off.** Any power tool that cannot be controlled with the switch is dangerous and must be repaired.
 - **Disconnect the plug from the power source and/or remove the battery pack, if detachable, from**



the power tool before making any adjustments, changing accessories, or storing power tools. Such preventive safety measures reduce the risk of starting the power tool accidentally.

- **Store idle power tools out of the reach of children and do not allow persons unfamiliar with the power tool or these instructions to operate the power tool.** Power tools are dangerous in the hands of untrained users.
- **Maintain power tools and accessories. Check for misalignment or binding of moving parts, breakage of parts and any other condition that may affect the power tool's operation. If damaged, have the power tool repaired before use.** Many accidents are caused by poorly maintained power tools.
- **Keep cutting tools sharp and clean.** Properly maintained cutting tools with sharp cutting edges are less likely to bind and are easier to control.
- **Use the power tool, accessories and tool bits etc. in accordance with these instructions, taking into account the working conditions and the work to be performed.** Use of the power tool for operations different from those intended could result in a hazardous situation.
- **Keep handles and grasping surfaces dry, clean and free from oil and grease.** Slippery handles and grasping surfaces do not allow for safe handling and control of the tool in unexpected situations.

SERVICE

- **Have your power tool serviced by a qualified repair person using only identical replacement parts.** This will ensure that the safety of the power tool is maintained.

BENCH GRINDER SAFETY WARNINGS

- **Always wear safety goggles and a dust mask.**
- **Wear ear protectors. Exposure to noise can cause hearing loss.**
- **This product is not suitable for wet grinding.**
- **Do not use a damaged accessory. Before each use, inspect the accessory such as abrasive wheels for chips and cracks. After inspecting and installing an accessory, position yourself and bystanders away from the plane of the rotating accessory and run the power tool at maximum no-load speed for one minute.** Damaged accessories will normally break apart during this test time.
- **The rated speed of the accessory must be at least equal to the maximum speed marked on the power tool.** Accessories running faster than their rated speed can break and fly apart.
- **Never grind on the sides of a grinding wheel.** Grinding on the side can cause the wheel to break and fly apart.
- **The plug must be plugged into a matching outlet that is properly installed and grounded in accordance with all local codes and ordinances. If you are not sure, have a certified electrician check the receptacle.**
- **Mount the bench grinder firmly to the workbench, grinding stand or other rigid frame before operation.** An unsecured bench grinder is unstable and may move during operation. This may result in damage or injury.
- **Provide adequate general or localized lighting to prevent stroboscopic effect and hazards.**
- **Always use the product with grinding wheels fitted on both spindles in order to limit the risk of contact with the rotating spindles.**
- **Always use the guards, work rests, transparent screens and spark arrestors as required for the accessory(ies).**
- **Always adjust the work rest so that the angle between the work rest and the tangent of the grinding wheel is always greater than 85°.**
- **Prior to operation, inspect the components and any accessories of the bench grinder to ensure there are no conditions that may affect proper operation.** Tighten grinding wheel lock nuts, securing bolts and all clamps and guards.
- **Prior to each start up, inspect the grinding wheel for damage. Do not use damaged or unshaped wheels. Replace any damaged grinding wheel according to the instructions.**
- **Check that the wheel rotates freely prior to each start up. With the bench grinder unplugged and the switch turned to OFF, carefully spin the wheel by hand. The wheel should not contact any components of the bench grinder, and there should be no binding or other conditions that may affect proper operation.**
- **During each start-up, stand to one side of the grinder and switch it ON. Let the grinder operate at full speed for one minute so that any undetected flaws or cracks of the wheel will become apparent. Do not contact the wheel with the work piece until the bench grinder has reached full speed.**
- **Keep hands and body parts clear of grinding wheels. Contacting the rotating wheel may cause injury.**
- **Always use guards and transparent screens. Keep all guards in place and in working order. Operating the bench grinder without guards or with damaged guards may result in injury.**
- **Avoid burns. Grinding may cause items and the grinding wheel to become hot. Do not touch the grinding wheel or items that may be hot.**
- **Do not use the grinder to work on small items or items which cannot be held properly. The item may be thrown and result in injury.**
- **Never grind on the side of the wheel. The wheel will shatter. Grind on the face of the wheel only.**
- **Never leave a running tool unattended. Turn the power switch to OFF. The grinding wheels continue to rotate after the tool is switched off. Do not leave the tool until it has come to a complete stop.**



- Never reach behind or beneath the grinding wheels.
- Use ear protection, such as plugs or muffs, during extended periods of operation.
- Remove the plug before carrying out any adjustment, servicing or maintenance. The power cord must remain unplugged whenever you are maintaining your bench grinder.
- Adjust the work rests and spark arrestors frequently so as to compensate for the wear of the grinding wheels.
- Adjust work rests whenever necessary to keep the distance between the work rests and the grinding wheels as small as possible. This distance should be less than or equal to 2 mm. As the diameter of the grinding wheel decreases with use, maintain the maximum work rest distance by adjusting it.
- Adjust spark arrestors whenever necessary to keep the distance between the spark arrestors and the grinding wheels as small as possible. This distance should be less than or equal to 2 mm. As the diameter of the grinding wheel decreases with use, maintain the maximum spark arrestor distance by adjusting it.
- Replace the worn wheel when the distance of 2 mm between the spark arrestor/work rest and the wheel are no longer able to be maintained.
- If the spark arrestor or work rest becomes worn or damaged, replace it with an identical replacement from the authorised service centre.
- When fitting a new grinding wheel, always check that the stated maximum RPM meets or exceeds that stated on the grinder. Ensure the wheel diameter and arbor size meet that stated on the specifications. Also check the new wheel for damage, such as flaws or cracks.
- This grinding wheel is only suitable for dry grinding.
- Do not use damaged grinding wheels, do not use wheels that are chipped, cracked or otherwise defective.
- Ensure that the abrasive grinding wheel is correctly fitted and tightened before use.
- Machine should never be connected to power supply when you are installing or removing grinding wheels.
- Store your spare grinding wheel carefully.
 - Keep the wheel inside the original package if possible.
 - Store the wheel in a dry area at room temperature.
 - Wheels may be stored vertically on a shelf.
 - Do not allow the wheels to fall or suffer any impact.

Information available on the grinding wheel label

The information on the wheel label is important. Read and check it carefully to ensure you are selecting the correct type of wheel.

1. Manufacturer, supplier, importer or trade mark.
2. Nominal dimensions of grinding wheel, in particular the diameter of the bore.
3. Abrasive type, grain size, grade or hardness, type of bond and use of reinforcement.
4. Maximum operation speed in metres per second.
5. Maximum permissible speed of rotation in 1/min.
6. For declaration of conformity, the abrasive products shall be marked with EN 12413.
7. Restriction of use and safety warning symbols.
8. Traceability code, eg. A production/batch number, expiry date or series number.

The wheel may require replacement under any of the following circumstances.

1. If the face of the grinding wheel is worn unevenly, becomes grooved, or is no longer smooth and flat.
2. If the diameter of the grinding wheel is no longer round.
3. If the surface of the wheel becomes loaded and dull with workpiece material.
4. If there is any sign of damage.
5. If it becomes difficult to work with.
6. If the work rest / spark arrestor cannot be adjusted to ≤ 2 mm distance from the wheel surface.
7. If ≤ 1cm of disc protrudes from flange. See tips on page 147.

GRINDING WHEEL SAFETY INSTRUCTIONS

WARNING

To reduce the risk of injury, user must read and comply with instructions, warnings and operator's manual before starting to use this grinding wheel. Failure to heed these warnings can result in wheel breakage and serious personal injury. Save these instructions.

- The use of any wheel other than the one recommended in the machine instruction manual may present a risk of personal injury. Use only grinding wheels which have marked speed equal or greater to that marked on the machine.
- Never use grinding wheel that is too thick to allow outer flange to engage with the flats on the spindle. Larger wheels will come in contact with the wheel guards, while thicker wheels will prevent the bolt from securing the wheel on the spindle. Either of these situations could result in a serious accident and can cause serious personal injury.
- This wheel is for grinding and shaping metal. Do not attempt to do cut-off operation.

RESIDUAL RISKS

Even when the product is used as prescribed, it is still impossible to completely eliminate certain residual risk factors. The following hazards may arise in use and the operator should pay special attention to avoid the following:

- Risk of contact with unguarded parts of the rotating wheel.
- Burn hazard from contact with hot wheel or work piece.
- Damage to respiratory system if effective dust mask is not worn.
- Damage to hearing if effective hearing protection is not



worn.

KNOW YOUR PRODUCT

See page 141.

1. Transparent screen x 2
2. Spark arrestor x 2
3. Wheel guard x 2
4. Grinding wheel x 2
5. Work rest x 2
6. On/off switch
7. Mounting hole x 4
8. Work rest lock knob x 2

MAINTENANCE

- Do not modify the product in any way or use accessories not approved by the manufacturer. Your safety and that of others may be compromised.
- Do not use the product if any switches, guards or other functions does not work as intended. Return to an authorised service centre for professional repair or adjustment.
- Do not make any adjustments whilst the product is running.
- Always make sure the power plug has been removed from the mains power source before making adjustments, lubricating or when doing any maintenance on the product.
- Before and after each use, check the product for damage or broken parts. Keep the product in top working condition by immediately replacing parts with spares approved by the manufacturer.
- Clean out accumulated dust using a brush or vacuum cleaner. Do not use compressed air.
- To assure safety and reliability, all repairs, including changing brushes, should be performed by an authorised service centre.
- If the power cord is damaged, it must be replaced by an authorised service centre in order to avoid a safety hazard.

WARNING

For greater safety and reliability, all repairs should be performed by an Authorised RYOBI Service Centre.

TRANSPORTATION AND STORAGE

- When storing the product, disconnect the power cord.
- Clean the product using a brush and vacuum cleaner.
- Always carry and lift the product according to the instruction in this user manual.
- Protect the product from any heavy impact or strong vibrations which may occur during transportation in vehicles.

- Secure the product to prevent it from slipping or falling over.
- Store the product and its accessories in a dry, safe place which is not accessible to children.
- We recommend using the original package for storage to protect the product against dust.

ENVIRONMENTAL PROTECTION



Recycle raw materials instead of disposing of as waste. The machine, accessories and packaging should be sorted for environmental-friendly recycling.

SYMBOLS ON THE PRODUCT



Safety alert



Please read the instructions carefully before starting the product.



CE conformity



EurAsian conformity mark



Ukrainian mark of conformity



Wear ear protection.



Wear eye protection.



Not for wet grinding or cutting



Do not use chipped, cracked or defective grinding wheel.



Wear safety gloves.



EN
FR
DE
ES
IT
NL
PT
DA
SV
FI
NO
RU
PL
CS
HU
RO
LV
LT
ET
HR
SL
SK
BG
UK
TR
EL



Wheel rotation direction (shown on wheel label)



Wheel rotation direction (shown on wheel guard)



Waste electrical products should not be disposed of with household waste. Please recycle where facilities exist. Check with your Local Authority or retailer for recycling advice.

SYMBOLS IN THIS MANUAL



Plug in the product.



Unplug the product.



Parts or accessories sold separately

The following signal words and meanings are intended to explain the levels of risk associated with this product:

DANGER

Indicates an imminently hazardous situation, which, if not avoided, will result in death or serious injury.

WARNING

Indicates a potentially hazardous situation, which, if not avoided, could result in death or serious injury.

CAUTION

Indicates a potentially hazardous situation, which, if not avoided, may result in minor or moderate injury.

CAUTION

(Without Safety Alert Symbol) Indicates a situation that may result in property damage.



Votre meuble d'établi a été conçue en donnant priorité à la sécurité, à la performance et à la fiabilité.

UTILISATION PRÉVUE

- Cette meule d'établi est conçue pour meuler et mettre en forme le métal. Ce produit peut être utilisé pour affûter les outils manuels en métal (par ex. burins, haches, ciseaux) et les forets et éliminer les bavures et les bords tranchants
- Avec les bons accessoires, ce produit peut être utilisé pour nettoyer les surfaces en métal avec une brosse en métal ou pour polir et lustrer avec un disque de tissu.
- N'utilisez jamais le produit pour les tâches de découpe.

AVERTISSEMENTS DE SÉCURITÉ GÉNÉRAUX POUR L'OUTIL ÉLECTRIQUE

⚠ AVERTISSEMENT

Lire tous les avertissements de sécurité, les instructions, les illustrations et les spécifications fournis avec cet outil électrique. Ne pas suivre les instructions énumérées ci-dessous peut provoquer un choc électrique, un incendie et/ou une blessure sérieuse.

Conserver tous les avertissements et toutes les instructions pour pouvoir s'y reporter ultérieurement. Le terme «outil électrique» dans les avertissements fait référence à votre outil électrique alimenté par le secteur (avec cordon d'alimentation) ou votre outil électrique fonctionnant sur batterie (sans cordon d'alimentation).

SÉCURITÉ DE LA ZONE DE TRAVAIL

- **Conserver la zone de travail propre et bien éclairée.** Les zones en désordre ou sombres sont propices aux accidents.
- **Ne pas faire fonctionner les outils électriques en atmosphère explosive, par exemple en présence de liquides inflammables, de gaz ou de poussières.** Les outils électriques produisent des étincelles qui peuvent enflammer les poussières ou les fumées.
- **Maintenir les enfants et les personnes présentes à l'écart pendant l'utilisation de l'outil électrique.** Les distractions peuvent vous faire perdre le contrôle de l'outil.

SÉCURITÉ ÉLECTRIQUE

- **Il faut que les fiches de l'outil électrique soient adaptées au socle. Ne jamais modifier la fiche de quelque façon que ce soit. Ne pas utiliser d'adaptateurs avec des outils électriques à branchement de terre.** Des fiches non modifiées et des socles adaptés réduisent le risque de choc électrique.
- **Éviter tout contact du corps avec des surfaces reliées à la terre telles que les tuyaux, les radiateurs, les cuisinières et les réfrigérateurs.** Il

existe un risque accru de choc électrique si votre corps est relié à la terre.

- **Ne pas exposer les outils électriques à la pluie ou à des conditions humides.** La pénétration d'eau à l'intérieur d'un outil électrique augmente le risque de choc électrique.
- **Ne pas maltraiter le cordon. Ne jamais utiliser le cordon pour porter, tirer ou débrancher l'outil électrique. Maintenir le cordon à l'écart de la chaleur, du lubrifiant, des arêtes vives ou des parties en mouvement.** Des cordons endommagés ou emmêlés augmentent le risque de choc électrique.
- **Lorsqu'on utilise un outil électrique à l'extérieur, utiliser un prolongateur adapté à l'utilisation extérieure.** L'utilisation d'un cordon adapté à l'utilisation extérieure réduit le risque de choc électrique.
- **Si l'usage d'un outil électrique dans un emplacement humide est inévitable, utiliser une alimentation protégée par un dispositif à courant différentiel résiduel (RCD).** L'usage d'un RCD réduit le risque de choc électrique.

SÉCURITÉ DES PERSONNES

- **Rester vigilant, regarder ce que vous êtes en train de faire et faire preuve de bon sens dans votre utilisation de l'outil électrique. Ne pas utiliser un outil électrique lorsque vous êtes fatigué ou sous l'emprise de drogues, de l'alcool ou de médicaments.** Un moment d'inattention en cours d'utilisation d'un outil électrique peut entraîner des blessures graves.
- **Utiliser un équipement de protection individuelle. Toujours porter une protection pour les yeux.** Les équipements de protection individuelle tels que les masques contre les poussières, les chaussures de sécurité antidérapantes, les casques ou les protections auditives utilisés pour les conditions appropriées réduisent les blessures.
- **Éviter tout démarrage intempestif. S'assurer que l'interrupteur est en position arrêté avant de brancher l'outil au secteur et/ou au bloc de batteries, de le ramasser ou de le porter.** Porter les outils électriques en ayant le doigt sur l'interrupteur ou brancher des outils électriques dont l'interrupteur est en position marche est source d'accidents.
- **Retirer toute clé de réglage avant de mettre l'outil électrique en marche.** Une clé laissée fixée sur une partie tournante de l'outil électrique peut donner lieu à des blessures.
- **Ne pas se précipiter. Garder une position et un équilibre adaptés à tout moment.** Cela permet un meilleur contrôle de l'outil électrique dans des situations inattendues.
- **S'habiller de manière adaptée. Ne pas porter de vêtements amples ou de bijoux. Garder les cheveux et les vêtements à distance des parties en mouvement.** Des vêtements amples, des bijoux ou les cheveux longs peuvent être pris dans des parties en



mouvement.

- **Si des dispositifs sont fournis pour le raccordement d'équipements pour l'extraction et la récupération des poussières, s'assurer qu'ils sont connectés et correctement utilisés.** Utiliser des collecteurs de poussière peut réduire les risques dus aux poussières.
- **Rester vigilant et ne pas négliger les principes de sécurité de l'outil sous prétexte que vous avez l'habitude de l'utiliser.** Une fraction de seconde d'inattention peut provoquer une blessure grave.

UTILISATION ET ENTRETIEN DE L'OUTIL ÉLECTRIQUE

- **Ne pas forcer l'outil électrique. Utiliser l'outil électrique adapté à votre application.** L'outil électrique adapté réalise mieux le travail et de manière plus sûre au régime pour lequel il a été construit.
- **Ne pas utiliser l'outil électrique si l'interrupteur ne permet pas de passer de l'état de marche à arrêt et inversement.** Tout outil électrique qui ne peut pas être commandé par l'interrupteur est dangereux et il faut le réparer.
- **Débrancher la fiche de la source d'alimentation et/ou enlever le bloc de batteries, s'il est amovible, avant tout réglage, changement d'accessoires ou avant de ranger l'outil électrique.** De telles mesures de sécurité préventives réduisent le risque de démarrage accidentel de l'outil électrique.
- **Conserver les outils électriques à l'arrêt hors de la portée des enfants et ne pas permettre à des personnes ne connaissant pas l'outil électrique ou les présentes instructions de le faire fonctionner.** Les outils électriques sont dangereux entre les mains d'utilisateurs novices.
- **Observer la maintenance des outils électriques et des accessoires. Vérifier qu'il n'y a pas de mauvais alignement ou de blocage des parties mobiles, des pièces cassées ou toute autre condition pouvant affecter le fonctionnement de l'outil électrique. En cas de dommages, faire réparer l'outil électrique avant de l'utiliser.** De nombreux accidents sont dus à des outils électriques mal entretenus.
- **Garder affûtés et propres les outils permettant de couper.** Des outils destinés à couper correctement entretenus avec des pièces coupantes tranchantes sont moins susceptibles de bloquer et sont plus faciles à contrôler.
- **Utiliser l'outil électrique, les accessoires et les lames etc., conformément à ces instructions, en tenant compte des conditions de travail et du travail à réaliser.** L'utilisation de l'outil électrique pour des opérations différentes de celles prévues peut donner lieu à des situations dangereuses.
- **Il faut que les poignées et les surfaces de préhension restent sèches, propres et dépourvues d'huiles et de graisses.** Des poignées et des surfaces de préhension glissantes rendent impossibles la manipulation et le contrôle en toute sécurité de l'outil dans les situations inattendues.

ENTRETIEN

- **Faire entretenir l'outil électrique par un réparateur qualifié utilisant uniquement des pièces de rechange identiques.** Cela assure le maintien de la sécurité de l'outil électrique.

AVERTISSEMENTS DE SÉCURITÉ CONCERNANT LA MEULE D'ÉTABLI

- **Portez toujours des lunettes de sécurité et un masque anti-poussières.**
- **Portez une protection acoustique.** L'influence du bruit peut provoquer la surdité.
- **Ce produit n'est pas adapté au meulage humide.**
- **N'utilisez pas un accessoire endommagé.** Avant chaque utilisation, vérifiez que les différents accessoires, tels que les disques abrasifs, ne sont ni fissurés ni ébréchés. Après l'inspection et l'installation d'un accessoire, maintenez les passants et vous-même à distance du plan de l'accessoire en rotation et faites tourner l'outil électrique à la vitesse maximale à vide pendant une minute. Si l'accessoire est endommagé, il se cassera pendant ce test.
- **La vitesse nominale de l'accessoire doit être égale ou supérieure à la vitesse maximale indiquée sur l'outil.** Les accessoires fonctionnant à une vitesse supérieure à leur vitesse nominale peuvent se casser et être éjectés.
- **Ne meulez jamais sur les côtés d'un disque de meulage.** Le meulage sur le côté peut provoquer la rupture du disque et la projection de morceaux ébréchés.
- La fiche doit être branchée dans une prise secteur correctement installée et reliée à la terre en accord avec les lois et codes locaux. Si vous n'êtes pas sûr de vous, faites vérifier la prise par un électricien agréé.
- Fixez le produit sur le plan de travail, le support de meulage ou un autre cadre rigide avant utilisation. Un produit non sécurisé n'est pas stable et peut bouger pendant le service. Cela peut entraîner un dommage ou une blessure.
- Fournissez un éclairage général ou ponctuel adéquat de manière à éviter les effets stroboscopiques et leurs dangers.
- Utilisez toujours le produit avec des disques de meulage sur les deux axes afin de limiter le risque de contact avec les axes rotatifs.
- Utilisez toujours les protections, les supports et appuis, les écrans transparents et les pare-étincelles requis pour les accessoires.
- Ajustez toujours le support de sorte que l'inclinaison entre le support et la tangente du disque de meulage est toujours supérieure à 85°.
- Avant l'opération, inspectez les composants et les accessoires du produit afin de vous assurer qu'aucune condition ne peut affecter leur bon fonctionnement.



Serrez les écrous de verrouillage du disque de meulage, les boulons de sécurité, toutes les broches et les protections.

- Avant chaque démarrage, vérifiez que le disque de meulage n'est pas endommagé. N'utilisez pas de disques endommagés ou déformés. Remplacez les disques de meulage endommagés conformément aux instructions.
- Vérifiez que le disque tourne librement avant chaque démarrage. Avec le produit débranché et l'interrupteur sur ARRÊT, faites tourner prudemment le disque à la main. Le disque ne doit entrer en contact avec aucun autre composant de la meule d'établi et il ne doit y avoir aucun colmatage ou d'autres conditions pouvant affecter le bon fonctionnement.
- Pendant chaque démarrage, mettez-vous d'un côté du produit et appuyez sur MARCHE. Laissez la meule fonctionner à pleine vitesse pendant une minute de sorte que les défauts ou craquelures non détectés du disque deviennent apparents. Ne faites pas entrer le disque en contact avec la pièce à usiner avant que le produit n'ait atteint sa vitesse maximale.
- Maintenez les mains et les parties du corps éloignées des disques de meulage. Tout contact avec le disque en rotation peut entraîner des blessures.
- Utilisez toujours les protections et les écrans transparents. Laissez les protections en place et en état de fonctionner. Utiliser le produit sans protection ou avec des protections endommagées peut entraîner des blessures.
- Évitez les brûlures. Le meulage peut faire chauffer les éléments et le disque. Ne touchez pas le disque de meulage ou les éléments pouvant être chauds.
- N'utilisez pas le produit pour travailler sur des petits éléments ou des éléments ne pouvant pas être maintenus correctement. L'élément pourrait être projeté et provoquer une blessure.
- Ne meulez jamais sur le côté du disque. Cela briserait le disque. Meulez uniquement sur la face du disque.
- Ne laissez jamais la machine fonctionner sans surveillance. Arrêtez l'outil. Attention, la meule tourne par inertie après l'arrêt de l'outil. Ne vous éloignez pas de l'outil avant son arrêt complet.
- N'intervenez jamais derrière ou à côté des disques de meulage.
- Utilisez une protection auditive comme des bouchons ou des cache-oreilles, pendant des périodes d'utilisation prolongées.
- Débranchez la fiche secteur avant d'effectuer tout réglage et toute opération d'entretien et de nettoyage. Le câble d'alimentation doit rester débranché lorsque vous entretenez votre produit.
- Ajustez régulièrement les supports/appuis et les pare-étincelles pour compenser l'usure des disques de meulage.
- Ajustez les supports lorsque cela est nécessaire pour respecter une distance aussi courte que possible entre

les supports de travail et les disques de meulage. Cette distance doit être inférieure ou égale à 2 mm. Le diamètre de la roue de meulage diminuant avec l'utilisation, ajustez la distance maximale du support de façon à la préserver.

- Ajustez les pare-étincelles lorsque cela est nécessaire pour respecter une distance aussi courte que possible entre les pare-étincelles et les disques de meulage. Cette distance doit être inférieure ou égale à 2 mm. Le diamètre du disque de meulage diminuant avec l'utilisation, conservez la distance maximale du pare-étincelles en la réglant.
- Remplacez le disque usé lorsque la distance de 2 mm entre le pare-étincelles/le support et le disque ne peut plus être assurée.
- En cas d'usure ou d'endommagement du support ou du pare-étincelles, remplacez-le par un support identique du centre de service agréé.
- Lorsque vous mettez en place un nouveau disque de meulage, vérifiez toujours que les tours par minute maximum correspondent ou dépassent ceux indiqués sur le produit. Assurez-vous que le diamètre du disque et la taille de l'arbre sont conformes aux spécifications. Vérifiez toujours le nouveau disque du point de vue des défauts ou des craquelures.

INSTRUCTIONS DE SÉCURITÉ RELATIVES AU DISQUE DE MEULAGE

⚠ AVERTISSEMENT

Pour réduire le risque de blessure, l'utilisateur doit lire et respecter les instructions, les avertissements et le manuel d'utilisation avant de commencer à utiliser le disque de meulage. Le non-respect de ces avertissements pourrait entraîner le bris du disque, ce qui pourrait provoquer de graves blessures. Conservez ces instructions.

- L'utilisation de tout disque autre que le disque recommandé dans le manuel de la machine peut impliquer un risque de blessure. Utilisez uniquement des disques de meulage avec une vitesse supérieure ou égale à celle marquée sur la machine.
- N'utilisez jamais de disque de meulage trop épais qui empêcherait la bride extérieure de s'insérer dans la partie aplatie de l'axe de broche. Les disques de grand diamètre entreraient en contact avec les protections, tandis que les disques trop épais empêcheraient le boulon de bien bloquer le disque sur la broche. N'importe laquelle de ces situations peut entraîner de graves accidents.
- Ce disque est uniquement conçu pour meuler et former du métal. Ne l'utilisez pas pour la découpe.
- Ce disque de meulage est uniquement conçu pour le meulage à sec.
- N'utilisez de disques endommagés, dégradés,



craquelés ou défectueux.

- Assurez-vous que le disque de meulage abrasif est bien fixé et serré avant utilisation.
- La machine ne doit jamais être raccordée à l'alimentation électrique lorsque vous installez ou retirez des disques de meulage.
- Rangez correctement votre disque de meulage de rechange.
 - Si possible, conservez-le dans son emballage original.
 - Rangez le disque dans un endroit sec à température ambiante.
 - Les disques peuvent être rangés à la verticale sur une étagère.
 - Ne permettez pas aux disques de chuter ou d'avoir un choc.

Informations disponibles sur l'étiquette du disque de meulage

Les informations sur l'étiquette du disque sont importantes. Lisez-les et vérifiez-les prudemment afin de garantir que vous sélectionnez le bon type de disque.

1. Fabricant, fournisseur, importateur ou marque commerciale.
2. Dimensions nominales du disque de meulage, notamment le diamètre du trou.
3. Type d'abrasion, taille du grain, degré ou dureté du grain, type de liant et utilisation de renfort.
4. Vitesse maximale de service en mètres par seconde.
5. Vitesse admissible maximale en 1/min.
6. Pour la déclaration de conformité, les produits abrasifs doivent être marqués EN 12413.
7. Symboles de restriction d'utilisation et d'avertissements de sécurité.
8. Code de traçabilité, par ex. un numéro de production/lot, numéro de série.

Un remplacement du disque peut être nécessaire dans les cas suivants.

1. Si la surface du disque de meulage est usée de façon inégale, si elle est rainurée ou si elle n'est plus lisse et plate.
2. Si le diamètre du disque n'est plus rond.
3. Si la surface du disque est chargée de matériau de pièce à usiner et qu'elle est émoussée.
4. Au moindre signe d'endommagement.
5. S'il est difficile à utiliser.
6. Si le support/pare-étincelles ne peut être réglé à une distance ≤ 2 mm de la surface du disque.
7. Si ≤ 1 cm du disque dépasse de la bride. Voir les conseils en page 147.

RISQUES RÉSIDUELS

Même lorsque le produit est utilisé selon les prescriptions, il reste impossible d'éliminer totalement certains facteurs de risque résiduels. Les dangers suivants risquent de se présenter en cours d'utilisation et l'utilisateur doit prêter particulièrement garde aux points suivants :

- Risque de contact avec les parties non protégées du disque en rotation.
- Risque de brûlure en cas de contact avec le disque ou la pièce de travail chaude.
- Atteinte au système respiratoire en cas de non-port d'un masque anti-poussière.
- Atteinte à l'audition en cas de non-port d'une protection auditive.

APPRENEZ À CONNAÎTRE VOTRE PRODUIT

Voir la page 141.

1. Écran transparent x 2
2. Pare-étincelles x 2
3. Carter de protection du disque x 2
4. Disque de meulage x 2
5. Support de travail x 2
6. Interrupteur marche/arrêt
7. Trou de montage x 4
8. Bouton de verrouillage du support de travail x 2

ENTRETIEN

- Ne modifiez le produit d'aucune façon et n'utilisez aucun accessoire non recommandé par le fabricant. Votre sécurité et celle des autres pourrait en être affectée.
- N'utilisez pas le produit si un de ses interrupteurs, une de ses protections ou autre élément de fonctionne pas correctement. Retournez-le à un service après-vente agréé pour le faire remplacer ou réparer de façon professionnelle.
- N'effectuez aucun réglage lorsque le produit est allumé.
- Assurez-vous toujours que la prise a été débranchée du secteur avant d'effectuer des réglages, de procéder à une lubrification ou d'effectuer toute opération d'entretien sur le produit.
- Avant et après chaque utilisation du produit, vérifiez l'absence de dommages et d'éléments abîmés. Gardez le produit en parfait état de fonctionnement en remplaçant immédiatement les pièces avec des pièces détachées agréées par le fabricant.
- Retirez la sciure accumulée à l'aide d'un pinceau ou d'un aspirateur. N'utilisez pas de l'air comprimé.
- Pour plus de sécurité et de fiabilité, toutes les réparations, changement des charbons compris, doivent être effectuées par un service après-vente agréé.
- Si le câble d'alimentation est endommagé, faites-le remplacer par un centre de service agréé afin d'éviter les risques d'accidents.

⚠ AVERTISSEMENT

Pour plus de sécurité et de fiabilité, toutes les réparations doivent être effectuées par un service après-vente agréé RYOBI.





TRANSPORT ET STOCKAGE

- Lors du stockage du produit, débranchez le câble d'alimentation.
- Nettoyez le produit avec une brosse et un aspirateur.
- Portez et soulevez toujours le produit conformément aux instructions figurant dans ce manuel de l'utilisateur.
- Protégez le produit contre tout impact lourd ou toute vibration importante susceptible de survenir lors du transport sur des véhicules.
- Sécurisez le produit afin de l'empêcher de glisser ou de tomber.
- Stockez le produit et ses accessoires dans un endroit sec et sécurisé, hors de portée des enfants.
- Nous recommandons d'utiliser le conditionnement initial pour le remisage du produit afin de le protéger contre la poussière.

PROTECTION DE L'ENVIRONNEMENT



Recyclez les matières premières au lieu de les jeter avec les ordures ménagères. Pour protéger l'environnement, l'outil, les accessoires et les emballages doivent être triés.

SYMBOLES APPLIQUÉS SUR LE PRODUIT



Alerte de sécurité



Veuillez lire attentivement les instructions avant de mettre l'appareil en marche.



Conformité CE



Marque de conformité d'Eurasie



Marque de conformité ukrainienne



Portez une protection auditive



Portez une protection oculaire



Ne convient pas au meulage ou à la découpe à l'eau



N'utilisez pas de meule ébréchée, fendue ou défectueuse



Portez des gants de sécurité



Sens de rotation du disque (indiqué sur l'étiquette du disque)



Sens de rotation du disque (indiqué sur la protection du disque)



Les produits électriques hors d'usage ne doivent pas être jetés avec les ordures ménagères. Recyclez-les par l'intermédiaire des structures disponibles. Contactez les autorités locales ou votre distributeur pour vous renseigner sur les conditions de recyclage.

SYMBOLES PRÉSENTS DANS LE MANUEL



Branchez le produit.



Débranchez le produit.



Pièces détachées et accessoires vendus séparément

Les symboles suivants, et les noms qui leur sont associés, permettent d'expliquer les différents niveaux de risques liés à l'utilisation de cet outil.

DANGER

Imminence d'un danger qui, si l'on n'y prend garde, peut entraîner des blessures graves voire mortelles.

AVERTISSEMENT

Situation potentiellement dangereuse qui, si l'on n'y prend garde, peut entraîner des blessures graves voire mortelles.

ATTENTION

Situation potentiellement dangereuse qui, si l'on n'y prend garde, peut entraîner des blessures moyennes ou légères.

ATTENTION

(Sans symbole de sécurité) Indique une situation pouvant provoquer des dommages matériels.



Sicherheit, Leistung und Zuverlässigkeit hatten oberste Priorität bei der Entwicklung Ihres Schleifbocks.

BESTIMMUNGSGEMÄSSE VERWENDUNG

- Dieser Schleifbock wurde zum Schleifen und Formen von Metall entwickelt. Das Gerät kann eingesetzt werden, um Handwerkzeuge aus Metall zu schärfen (z. B. Meißel, Äxte, Messer) und um Grate oder scharfe Kanten zu entfernen.
- Mit dem richtigen Zubehör kann das Gerät genutzt werden, um Metalloberflächen mit einer Drahtbürste zu reinigen oder mit einer Stoffscheibe zu polieren.
- Nutzen Sie das Gerät niemals zum Abschneiden von Gegenständen.

ALLGEMEINE SICHERHEITSHINWEISE FÜR ELEKTROWERKZEUGE

⚠ WARNUNG

Lesen Sie alle Sicherheitshinweise und Anweisungen. Versäumnisse bei der Einhaltung der Sicherheitshinweise und Anweisungen können elektrischen Schlag, Brand und/oder schwere Verletzungen verursachen.

Bewahren Sie alle Sicherheitshinweise und Anweisungen für die Zukunft auf. Der in den Sicherheitshinweisen verwendete Begriff „Elektrowerkzeug“ bezieht sich auf netzbetriebene Elektrowerkzeuge (mit Netzleitung) oder auf akkubetriebene Elektrowerkzeuge (ohne Netzleitung).

ARBEITSPLATZSICHERHEIT

- **Halten Sie Ihren Arbeitsbereich sauber und gut beleuchtet.** Unordnung oder unbeleuchtete Arbeitsbereiche können zu Unfällen führen.
- **Arbeiten Sie mit dem Elektrowerkzeug nicht in explosionsgefährdeter Umgebung, in der sich brennbare Flüssigkeiten, Gase oder Stäube befinden.** Elektrowerkzeuge erzeugen Funken, die den Staub oder die Dämpfe entzünden können.
- **Halten Sie Kinder und andere Personen während der Benutzung des Elektrowerkzeugs fern.** Bei Ablenkung können Sie die Kontrolle über das Gerät verlieren.

ELEKTRISCHE SICHERHEIT

- **Der Anschlussstecker des Elektrowerkzeugs muss in die Steckdose passen. Der Stecker darf in keiner Weise verändert werden. Verwenden Sie keine Adapterstecker gemeinsam mit schutzgeerdeten Elektrowerkzeugen.** Unveränderte Stecker und passende Steckdosen verringern das Risiko eines elektrischen Schlages.
- **Vermeiden Sie Körperkontakt mit geerdeten Oberflächen wie von Rohren, Heizungen, Herden**

und Kühlschränken. Es besteht ein erhöhtes Risiko durch elektrischen Schlag, wenn Ihr Körper geerdet ist.

- **Halten Sie Elektrowerkzeuge von Regen oder Nässe fern.** Das Eindringen von Wasser in ein Elektrowerkzeug erhöht das Risiko eines elektrischen Schlages.
- **Zweckentfremden Sie die Anschlussleitung nicht, um das Elektrowerkzeug zu tragen, aufzuhängen oder um den Stecker aus der Steckdose zu ziehen. Halten Sie die Anschlussleitung fern von Hitze, Öl, scharfen Kanten oder sich bewegenden Geräteteilen.** Beschädigte oder verwickelte Anschlussleitungen erhöhen das Risiko eines elektrischen Schlages.
- **Wenn Sie mit einem Elektrowerkzeug im Freien arbeiten, verwenden Sie nur Verlängerungsleitungen, die auch für den Außenbereich geeignet sind.** Die Anwendung einer für den Außenbereich geeigneten Verlängerungsleitung verringert das Risiko eines elektrischen Schlages.
- **Wenn der Betrieb des Elektrowerkzeugs in feuchter Umgebung nicht vermeidbar ist, verwenden Sie einen Fehlerstromschutzschalter.** Der Einsatz eines Fehlerstromschutzschalters vermindert das Risiko eines elektrischen Schlages.

SICHERHEIT VON PERSONEN

- **Seien Sie aufmerksam, achten Sie darauf, was Sie tun, und gehen Sie mit Vernunft an die Arbeit mit einem Elektrowerkzeug. Benutzen Sie kein Elektrowerkzeug, wenn Sie müde sind oder unter dem Einfluss von Drogen, Alkohol oder Medikamenten stehen.** Ein Moment der Unachtsamkeit beim Gebrauch des Elektrowerkzeugs kann zu ernsthaften Verletzungen führen.
- **Tragen Sie persönliche Schutzausrüstung und immer eine Schutzbrille.** Das Tragen persönlicher Schutzausrüstung, wie Staubmaske, rutschfeste Sicherheitsschuhe, Schutzhelm oder Gehörschutz, je nach Art und Einsatz des Elektrowerkzeugs, verringert das Risiko von Verletzungen.
- **Vermeiden Sie eine unbeabsichtigte Inbetriebnahme. Vergewissern Sie sich, dass das Elektrowerkzeug ausgeschaltet ist, bevor Sie es an die Stromversorgung und/oder den Akku anschließen, es aufnehmen oder tragen.** Wenn Sie beim Tragen des Elektrowerkzeugs den Finger am Schalter haben oder das Gerät eingeschaltet an die Stromversorgung anschließen, kann dies zu Unfällen führen.
- **Entfernen Sie Einstellwerkzeuge oder Schraubenschlüssel, bevor Sie das Elektrowerkzeug einschalten.** Ein Werkzeug oder Schlüssel, der sich in einem drehenden Geräteteil befindet, kann zu Verletzungen führen.
- **Vermeiden Sie eine abnormale Körperhaltung. Sorgen Sie für einen sicheren Stand und halten Sie jederzeit das Gleichgewicht.** Dadurch können Sie das





Elektrowerkzeug in unerwarteten Situationen besser kontrollieren.

- **Tragen Sie geeignete Kleidung. Tragen Sie keine weite Kleidung oder Schmuck. Halten Sie Haare und Kleidung fern von sich bewegenden Teilen.** Lockere Kleidung, Schmuck oder lange Haare können von sich bewegenden Teilen erfasst werden.
- **Wenn Staubabsaug- und -auffangeinrichtungen montiert werden können, sind diese anzuschließen und richtig zu verwenden.** Verwendung einer Staubabsaugung kann Gefährdungen durch Staub verringern.
- **Wiegen Sie sich nicht in falscher Sicherheit und setzen Sie sich nicht über die Sicherheitsregeln für Elektrowerkzeuge hinweg, auch wenn sie nach vielfachem Gebrauch mit dem Elektrowerkzeug vertraut sind.** Achtloses Handeln kann binnen Sekundenbruchteilen zu schweren Verletzungen führen.

VERWENDUNG UND BEHANDLUNG DES ELEKTROWERKZEUGS

- **Überlasten Sie das Gerät nicht. Verwenden Sie für Ihre Arbeit das dafür bestimmte Elektrowerkzeug.** Mit dem passenden Elektrowerkzeug arbeiten Sie besser und sicherer im angegebenen Leistungsbereich.
- **Benutzen Sie kein Elektrowerkzeug, dessen Schalter defekt ist.** Ein Elektrowerkzeug, das sich nicht mehr ein- oder ausschalten lässt, ist gefährlich und muss repariert werden.
- **Ziehen Sie den Stecker aus der Steckdose und/oder entfernen Sie einen abnehmbaren Akku, bevor Sie Geräteeinstellungen vornehmen, Zubehörteile wechseln oder das Gerät weglegen.** Diese Vorsichtsmaßnahme verhindert den unbeabsichtigten Start des Elektrowerkzeugs.
- **Bewahren Sie unbenutzte Elektrowerkzeuge außerhalb der Reichweite von Kindern auf. Lassen Sie Personen das Gerät nicht benutzen, die mit diesem nicht vertraut sind oder diese Anweisungen nicht gelesen haben.** Elektrowerkzeuge sind gefährlich, wenn Sie von unerfahrenen Personen benutzt werden.
- **Pflegen Sie Elektrowerkzeuge und Zubehör mit Sorgfalt. Kontrollieren Sie, ob bewegliche Teile einwandfrei funktionieren und nicht klemmen, ob Teile gebrochen oder so beschädigt sind, dass die Funktion des Elektrowerkzeugs beeinträchtigt ist. Lassen Sie beschädigte Teile vor dem Einsatz des Gerätes reparieren.** Viele Unfälle haben ihre Ursache in schlecht gewarteten Elektrowerkzeugen.
- **Halten Sie Schneidwerkzeuge scharf und sauber.** Sorgfältig gepflegte Schneidwerkzeuge mit scharfen Schneidkanten verklemmen sich weniger und sind leichter zu führen.
- **Verwenden Sie Elektrowerkzeug, Zubehör, Einsatzwerkzeuge usw. entsprechend diesen Anweisungen.** Berücksichtigen Sie dabei die

Arbeitsbedingungen und die auszuführende Tätigkeit. Der Gebrauch von Elektrowerkzeugen für andere als die vorgesehenen Anwendungen kann zu gefährlichen Situationen führen.

- **Halten Sie Griffe und Griffflächen trocken, sauber und frei von Öl und Fett.** Rutschige Griffe und Griffflächen erlauben keine sichere Bedienung und Kontrolle des Elektrowerkzeugs in unvorhergesehenen Situationen.

SERVICE

- **Lassen Sie Ihr Elektrowerkzeug nur von qualifiziertem Fachpersonal und nur mit Original-Ersatzteilen reparieren.** Damit wird sichergestellt, dass die Sicherheit des Gerätes erhalten bleibt.

SICHERHEITSHINWEISE FÜR DEN SCHLEIFBOCK

- **Tragen Sie immer eine Sicherheitsbrille und Staubmaske.**
- **Tragen Sie Gehörschutz. Die Einwirkung von Lärm kann Hörverlust bewirken.**
- **Dieses Gerät ist nicht zum Nassschleifen geeignet.**
- **Benutzen Sie kein beschädigtes Zubehör. Untersuchen Sie das Zubehör, z. B. die Schleifscheiben, vor jeder Benutzung auf Splitter und Risse. Nachdem Sie den korrekten Zustand des Zubehörs geprüft und sie es montiert haben, nehmen Sie Abstand vom beweglichen Zubehörteil und lassen das Werkzeug eine Minute lang auf Höchstgeschwindigkeit laufen.** Wenn das Zubehörteil beschädigt ist, bricht es bei diesem Test.
- **Die nominale Geschwindigkeit des Zubehörs muss gleich oder schneller sein, als die maximale, auf dem Werkzeug angegebene Geschwindigkeit.** Zubehörteile, die schneller drehen als ihre Nominalgeschwindigkeit, können brechen und weggeschleudert werden.
- **Schleifen Sie niemals seitlich an der Schleifscheibe.** Seitliches Schleifen kann dazu führen, dass die Schleifscheibe bricht und auseinander fällt.
- **Der Stecker muss in eine entsprechende Steckdose, die ordnungsgemäß installiert und gemäß sämtlicher regionaler Vorschriften und Verordnungen geerdet ist, gesteckt werden.** Wenn Sie nicht sicher sind, lassen Sie die Steckdose von einem Elektriker prüfen.
- **Befestigen Sie das Gerät vor der Benutzung sicher auf der Werkbank, einem Schleifstand oder einem anderen starren Rahmen.** Wenn das Gerät nicht gesichert wird, ist es instabil und kann sich während des Betriebs bewegen. Dies kann zu Beschädigungen und Verletzungen führen.
- **Sorgen Sie für ausreichend allgemeine und punktuelle Beleuchtung, um Stroboskopeffekt und Gefahren zu verhindern.**
- **Verwenden Sie das Gerät immer mit Schleifscheiben**





auf beiden Spindeln, um das Risiko der Berührung einer rotierenden Spindel zu verringern.

- Verwenden Sie immer die Schutzvorrichtungen, Werkstückauflagen, transparenten Schirme und Funkenfänger wie für das/die Zubehörteil(e) erforderlich.
- Stellen Sie die Werkstückauflage immer so ein, dass der Winkel zwischen der Werkstückauflage und der Tangente der Schleifscheibe größer als 85° ist.
- Prüfen Sie vor dem Betrieb die Komponenten und Zubehörteile des Geräts, um sicherzustellen, dass der korrekte Betrieb nicht eingeschränkt wird. Ziehen Sie die Sicherungsmuttern der Schleifscheibe, die Sicherungsbolzen und alle Klemmen und Schutze fest.
- Untersuchen Sie die Schleifscheibe vor jedem Arbeitsbeginn auf Schäden. Verwenden Sie keine beschädigten oder verformten Schleifscheiben. Ersetzen Sie alle beschädigten Schleifscheiben gemäß Anleitung.
- Prüfen Sie vor jedem Start, dass die Schleifscheibe frei läuft. Schalten Sie das Gerät AUS, unterbrechen Sie die Stromzufuhr und drehen Sie die Scheibe dann vorsichtig mit der Hand. Die Scheibe sollte die Teile des Schleifbocks nicht berühren, und sie sollte sich weder festfressen noch sollten andere Umstände bestehen, die den korrekten Betrieb beeinträchtigen können.
- Stellen Sie sich bei jedem Starten neben das Gerät und schalten Sie es EIN. Lassen Sie den Schleifbock eine Minute lang bei höchster Geschwindigkeit laufen, sodass alle unerkannten Fehler oder Probleme offensichtlich werden. Berühren Sie die Schleifscheibe erst dann mit dem Werkstück, wenn die Höchstgeschwindigkeit erreicht ist.
- Halten Sie die Hände und alle anderen Körperteile von der Schleifscheibe fern. Das Berühren der rotierenden Scheibe kann zu Verletzungen führen.
- Nutzen Sie immer die Schutzvorrichtungen und die transparenten Schirme. Behalten Sie die Abdeckungen an Ort und Stelle und funktionsfähig. Das Benutzen des Geräts ohne Schutzvorrichtungen oder mit beschädigten Schutzvorrichtungen kann zu Verletzungen führen.
- Vermeiden Sie Verbrennungen. Das Schleifen kann dazu führen, dass Gegenstände und die Schleifscheibe heiß werden. Berühren Sie die Schleifscheibe und Gegenstände, die heiß sein können, nicht.
- Nutzen Sie das Gerät nicht zur Bearbeitung von kleinen Gegenständen oder Gegenständen, die nicht korrekt gehalten werden können. Der Gegenstand kann fallengelassen werden, und dies kann zu Verletzungen führen.
- Schleifen Sie niemals seitlich an der Scheibe. Die Scheibe bricht dann. Schleifen Sie ausschließlich an der Oberfläche der Scheibe.
- Lassen Sie das Werkzeug während es sich in Betrieb befindet niemals unbeaufsichtigt. Schalten Sie das Werkzeug aus. Beachten Sie, dass die Schleifscheibe

nach dem Ausschalten erst nach einigen Momenten zu einem vollständigen Stillstand kommt. Verlassen Sie das Werkzeug nicht, bis es vollständig angehalten ist.

- Greifen Sie niemals hinter oder neben die Schleifscheibe.
- Nutzen Sie bei längeren Arbeitsvorgängen einen Gehörschutz wie Ohrstöpsel oder einen Gehörschutz.
- Ziehen Sie den Stecker aus der Steckdose bevor Sie Einstellungen vornehmen oder Wartungsarbeiten durchführen. Wenn Sie das Gerät warten, muss die Stromzufuhr unterbrochen sein.
- Stellen Sie die Werkstückauflagen und die Funkenfänger häufig nach, um sie dem Verschleiß der Schleifscheiben anzupassen.
- Stellen Sie die Werkstückauflage bei Bedarf nach, damit der Abstand zwischen Auflage und Schleifscheibe möglichst gering ist. Dieser Abstand sollte maximal 2 mm betragen. Wenn der Durchmesser der Schleifscheibe durch die Nutzung abnimmt, behalten Sie den maximalen Abstand zur Werkstückauflage durch Nachstellen bei.
- Stellen Sie die Funkenfänger bei Bedarf nach, damit die Entfernung zwischen den Funkenfängern und der Schleifscheibe möglichst gering ist. Dieser Abstand sollte maximal 2 mm betragen. Wenn der Durchmesser der Schleifscheibe durch die Nutzung abnimmt, behalten Sie den maximalen Abstand zum Funkenfänger durch Nachstellen bei.
- Ersetzen Sie die abgenutzte Schleifscheibe, wenn der Abstand von 2 mm zwischen dem Funkenfänger/der Werkstückauflage und der Schleifscheibe nicht mehr erhalten werden kann.
- Wenn der Funkenfänger oder die Werkstückauflage verschlissen oder beschädigt wird, ersetzen Sie das Teil durch ein identisches Ersatzteil aus dem autorisierten Servicecenter.
- Wenn Sie eine neue Schleifscheibe einsetzen, prüfen Sie immer, dass die angegebene Geschwindigkeit in RPM des Geräts entspricht oder höher ist. Stellen Sie sicher, dass der Durchmesser der Scheibe und die Achselgröße den in den Spezifikationen angegebenen Maßen entsprechen. Prüfen Sie auch die neue Scheibe auf Beschädigungen wie Fehler oder Risse.

SICHERHEITSHINWEISE FÜR DIE SCHLEIFSCHLEIBE

⚠️ WARNUNG

Um das Verletzungsrisiko zu minimieren, muss der Benutzer die Anleitungen und Warnungen sowie die Bedienungsanleitung vor der Nutzung der Schleifscheibe lesen und sie einhalten. Die Nichtbeachtung dieser Warnungen kann zu Bruch der Scheibe und schweren Verletzungen führen. Bewahren Sie diese Anleitung auf.





- Die Nutzung einer anderen als der in der Bedienungsanleitung angegebenen Schleifscheibe kann zu einem Verletzungsrisiko führen. Verwenden Sie ausschließlich Schleifscheiben, die mit einer Geschwindigkeit gekennzeichnet sind, die der des Geräts entspricht bzw. höher ist.
- Verwenden Sie außerdem niemals eine Trennscheibe die für den Außenflansch zu dick ist um in den flachen Bereich der Spindel zu greifen. Größere Trennscheiben geraten in Kontakt mit der Schutzabdeckung, während dickere Trennscheiben verhindern, dass die Trennscheibe sicher mit der Schraube an der Spindel befestigt werden kann. Diese Situationen können zu schweren Unfällen mit schweren Verletzungen führen.
- Diese Schleifscheibe ist zum Schleifen und Formen von Metall geeignet. Schneiden Sie mit dieser Scheibe keine Gegenstände.
- Diese Schleifscheibe ist nur zum trockenen Schleifen geeignet.
- Verwenden Sie keine beschädigten Schleifscheiben oder Scheiben, die gesprungen, rissig oder auf andere Art defekt sind.
- Stellen Sie vor der Nutzung sicher, dass die abrasive Schleifscheibe korrekt eingesetzt und festgezogen ist.
- Das Gerät sollte niemals an die Stromzufuhr angeschlossen sein, während Sie Schleifscheiben installieren oder entfernen.
- Bewahren Sie Ihre Ersatz-Schleifscheibe sorgfältig auf.
 - Bewahren Sie die Scheibe möglichst in der Originalverpackung auf.
 - Bewahren Sie die Scheibe bei Zimmertemperatur in einem trockenen Bereich auf.
 - Die Scheiben können vertikal auf einem Regal gelagert werden.
 - Die Scheiben sollten weder fallen noch Stöße erleiden.

Auf dem Etikett der Schleifscheibe vorhandene Informationen

Die Informationen auf dem Etikett der Schleifscheibe sind wichtig. Lesen und prüfen Sie sie aufmerksam, um sicherzustellen, dass Sie die richtige Schleifscheibe auswählen.

1. Hersteller, Lieferant, Importeur oder Markenzeichen
2. Die Nenngröße der Schleifscheibe, insbesondere der Durchmesser der Bohrung
3. Abrasionstyp, Körnunggröße, Grad oder Härte, Art der Bindung und Nutzung einer Verstärkung
4. Maximale Betriebsgeschwindigkeit in Metern pro Sekunde
5. Maximale Drehzahl in Umdrehungen pro Minute
6. Für Konformitätserklärungen werden die abrasiven Produkte mit EN 12413 gekennzeichnet.
7. Verwendungsbeschränkung und Warnsymbole
8. Rückverfolgbarkeitscode, z.B. eine Produktions-/Chargennummer, Seriennummer

Unter den folgenden Bedingungen kann es erforderlich sein, die Schleifscheibe zu ersetzen.

1. Wenn die Oberfläche der Schleifscheibe uneben abgenutzt ist, Rillen aufweist oder nicht mehr glatt und flach ist.
2. Wenn der Durchmesser der Schleifscheibe nicht mehr rund ist.
3. Wenn die Oberfläche der Schleifscheibe durch Material von Werkstücken angereichert und stumpf ist.
4. Bei Anzeichen für Beschädigung.
5. Wenn es schwierig wird, mit der Schleifscheibe zu arbeiten.
6. Wenn die Werkstückauflage/der Funkenfänger nicht auf einen Abstand von ≤ 2 mm von der Oberfläche der Schleifscheibe eingestellt werden kann.
7. Wenn ≤ 1 cm der Scheibe aus dem Flansch hervorsteht. Siehe Tipps auf Seite 147.

RESTRISIKEN

Sogar wenn das Produkt wie vorgeschrieben benutzt wird, ist es unmöglich ein gewisses Restrisiko vollständig auszuschließen. Die folgenden Gefahren können bei der Benutzung entstehen, und der Benutzer sollte besonders auf folgende Punkte achten:

- Risiko bei Berührung mit ungeschützten Teilen der rotierenden Scheibe
- Verbrennungsgefahr beim Kontakt mit der heißen Schleifscheibe oder dem Werkstück.
- Verletzung des Atemsystems, wenn eine wirksame Staubmaske nicht getragen wird.
- Schäden am Gehör, wenn ein wirksamer Gehörschutz nicht getragen wird.

MACHEN SIE SICH MIT IHREM PRODUKT VERTRAUT

Siehe Seite 141.

1. Transparenter Schirm x 2
2. Funkenfänger x 2
3. Schutzabdeckung x 2
4. Schleifscheibe x 2
5. Werkstückauflage x 2
6. Ein-/Ausschalter
7. Befestigungsloch x 4
8. Sperrknopf für die Werkstückauflage x 2

WARTUNG UND PFLEGE

- Verändern Sie das Produkt nicht auf irgendeine Weise oder verwenden Zubehör das nicht vom Hersteller empfohlen ist. Ihre Sicherheit und die anderer könnte beeinträchtigt sein.
- Benutzen Sie das Produkt nicht, wenn irgendwelche Schalter oder andere Funktionen nicht wie vorgesehen funktionieren. An einen autorisierten Kundendienst zur professionellen Reparatur oder Einstellung zurückgeben.





- Verändern Sie die Einstellungen nicht, während das Gerät läuft.
- Stellen Sie sicher, dass der Netzstecker aus der Steckdose gezogen ist, bevor Sie Einstellungen vornehmen, schmieren oder andere Wartungsarbeiten an dem Produkt durchführen.
- Überprüfen Sie das Produkt vor und nach jeder Benutzung auf Schäden und beschädigte Teile. Halten Sie das Produkt in optimalem Betriebszustand, indem sie Teile sofort mit vom Hersteller empfohlenen Ersatzteilen ersetzen.
- Reinigen Sie angesammelten Staub mit einer Bürste oder Staubsauger. Nutzen Sie keine Druckluft.
- Alle Reparaturen, einschließlich dem Wechseln der Bürsten, sollten zur besseren Sicherheit und Zuverlässigkeit von einem autorisierten Kundendienst durchgeführt werden.
- Lassen Sie ein beschädigtes Stromkabel zur Vermeidung von Unfallgefahren von einem autorisierten Kundendienst auswechseln.

⚠ WARNUNG

Für eine höhere Sicherheit und Zuverlässigkeit müssen alle Reparaturen von einem autorisierten RYOBI-Kundendienst durchgeführt werden.

TRANSPORT UND AUFBEWAHRUNG

- Trennen Sie das Netzkabel, wenn Sie das Produkt lagern.
- Reinigen Sie das Gerät mit einer Bürste und einem Staubsauger.
- Tragen und heben Sie das Gerät immer entsprechend den Anweisungen in dieser Bedienungsanleitung.
- Schützen Sie das Gerät vor starken Stößen oder Vibrationen, wie sie beim Transport in Fahrzeugen auftreten können.
- Sichern Sie das Gerät, damit es nicht rutscht und fällt.
- Bewahren Sie das Gerät und das Zubehör an einem trockenen und sicheren, für Kinder nicht zugänglichen Ort auf.
- Wir empfehlen, das Gerät zum Schutz vor Staub in der Originalverpackung aufzubewahren.

UMWELTSCHUTZ

Recyceln Sie die Rohstoffe, anstatt sie im Haushaltsabfall zu entsorgen. Zum Schutz der Umwelt müssen das Gerät, die Zubehörteile und die Verpackungen getrennt entsorgt werden.

SYMBOLS AUF DEM PRODUKT

Sicherheitswarnung



Bitte lesen Sie die Anweisungen sorgfältig durch, bevor Sie das Produkt einschalten.



CE Konformität



EurAsian Konformitätszeichen.



Ukrainisches Prüfzeichen



Gehörschutz tragen



Augenschutz tragen



Nicht für nasses Schleifen oder Schneiden



Benutzen Sie keine angeschlagene, gebrochene oder defekte Schleifscheibe



Tragen Sie Sicherheitshandschuhe



Drehrichtung der Scheibe (auf dem Scheibenetikett angegeben)



Drehrichtung der Scheibe (auf der Schutzvorrichtung der Scheibe angegeben)



Elektrische Geräte sollten nicht mit dem übrigen Müll entsorgt werden. Bitte entsorgen Sie diese an den entsprechenden Entsorgungsstellen. Wenden Sie sich an die örtliche Behörde oder Ihren Händler, um Auskunft über die Entsorgung zu erhalten.



SYMBOLS IN DER BEDIENUNGSANLEITUNG



Verbinden Sie das Gerät mit dem Stromnetz.



Stecken Sie das Werkzeug aus.



Teile oder Zubehör getrennt erhältlich

Mit den folgenden Symbolen wird die Bedeutung der verschiedenen Risikostufen, die mit dem Produkt einhergehen, dargestellt.

GEFAHR

Bezeichnet eine unmittelbare Gefahrensituation, die, falls nicht vermieden, zum Tode oder schweren Verletzungen führen kann.

WARNUNG

Bezeichnet eine mögliche Gefahrensituation, die, falls nicht vermieden, zum Tode oder schweren Verletzungen führen kann.

ACHTUNG

Bezeichnet eine mögliche Gefahrensituation, die, falls nicht vermieden, zu kleineren und mittleren Verletzungen führen kann.

ACHTUNG

(Ohne Warnsymbol) weist auf eine Situation hin, die zu Sachschaden führen kann.



La seguridad, el rendimiento y la fiabilidad han sido las máximas prioridades a la hora de diseñar esta amoladora de banco.

USO PREVISTO

- Esta amoladora de banco está concebida para amolar y moldear metal. El producto se puede utilizar para afilar herramientas manuales metálicas (p. ej. cinceles, hachas, cuchillos) y brocas, y eliminar rebabas o bordes afilados.
- Con los accesorios adecuados, el producto se puede utilizar para limpiar superficies metálicas utilizando un cepillo metálico o para pulir y abrillantar utilizando un disco de tela.
- Nunca utilice el producto para operaciones de corte.

INSTRUCCIONES GENERALES DE SEGURIDAD DE LA HERRAMIENTA

⚠ ADVERTENCIA

Lea atentamente todas las advertencias, instrucciones y especificaciones suministradas con la herramienta, y consulte las ilustraciones. El incumplimiento de las instrucciones que se indican a continuación puede ocasionar diversos accidentes como incendios, descargas eléctricas y/o graves heridas corporales.

Guarde todas estas advertencias e instrucciones para futuras referencias. El término "herramienta eléctrica" incluido en las advertencias hace referencia a su herramienta eléctrica conectada a la red eléctrica (con cable) o a su herramienta eléctrica alimentada con batería (inalámbrica).

SEGURIDAD EN EL ÁREA DE TRABAJO

- **Mantenga el área de trabajo limpia y bien iluminada.** Las zonas oscuras o poco despejadas pueden provocar accidentes.
- **No utilice herramientas eléctricas en atmósferas explosivas, como en presencia de gases, polvos o líquidos inflamables.** Las herramientas eléctricas producen chispas que pueden inflamar el polvo o humos.
- **Mantenga a los niños y personas ajenas alejadas de la zona en la que está utilizando la herramienta eléctrica.** Las distracciones pueden hacerle perder el control de la unidad.

SEGURIDAD ELÉCTRICA

- **Las conexiones de la herramienta eléctrica deben corresponder a los de la toma de corriente. No modifique el enchufe de ninguna manera. No utilice ningún adaptador con herramientas eléctricas conectadas a tierra.** Utilizar enchufes sin modificar y tomas correspondientes reducirán el riesgo de

descargas eléctricas.

- **Evite el contacto corporal con superficies conectadas a tierra, como tuberías, radiadores, estufas y refrigeradores.** Existe un mayor riesgo de descargas eléctricas si su cuerpo está conectado a tierra.
- **No exponga las herramientas eléctricas a la lluvia o a la humedad.** Si entra agua en una herramienta eléctrica aumentará el riesgo de descargas eléctricas.
- **Utilice correctamente el cable. No utilice el cable para llevar, tirar o desconectar el cable de la herramienta. Mantenga el cable alejado del calor, aceite, de los bordes afilados y de partes móviles.** Los cables dañados o enredados aumentan el riesgo de descargas eléctricas.
- **A la hora de utilizar herramientas eléctricas al aire libre, utilice un alargador adecuado para uso en exteriores.** El uso de un cable adecuado para uso en exteriores reduce el riesgo de descargas eléctricas.
- **Si es inevitable utilizar una herramienta eléctrica en un lugar húmedo, utilice un dispositivo de corriente residual (RCD) como protección.** El uso de un RCD reduce el riesgo de descargas eléctricas.

SEGURIDAD PERSONAL

- **Manténgase alerta y preste atención a lo que está haciendo; utilice el sentido común cuando utilice una herramienta. No use la herramienta cuando esté cansado o bajo la influencia de drogas, alcohol o medicamentos.** Un momento de distracción mientras utiliza herramientas eléctricas puede resultar en lesiones personales graves.
- **Use el equipo de protección personal. Utilice siempre gafas de protección.** El equipo de protección como la máscara antipolvo, los zapatos de seguridad antideslizantes, el casco o la protección auditiva utilizados para trabajar en las condiciones adecuadas reducirá los daños personales.
- **Evite el arranque accidental de la herramienta. Asegúrese de que el interruptor está en la posición de apagado antes de conectar el producto a una fuente de alimentación a la batería, de cogerlo o de transportarlo.** Transportar las herramientas eléctricas con el dedo en el interruptor o alimentarlas con el interruptor encendido puede provocar accidentes.
- **Extraiga cualquier llave de ajuste antes de encender la herramienta eléctrica.** Una llave que se encuentra conectada a una pieza de rotación puede resultar en lesiones personales.
- **No realice sobreesfuerzos. Mantenga un equilibrio adecuado en todo momento.** Esto permite un mejor control de la herramienta eléctrica en situaciones inesperadas.
- **Vístase adecuadamente. No utilice ropa holgada ni joyas. No acerque el pelo ni la ropa a las piezas móviles.** La ropa suelta, joyas o el cabello largo pueden quedar atrapados en las piezas móviles.





- Si se proporcionan dispositivos para conectar la extracción de polvo y las instalaciones de recogida, asegúrese de que están conectados y se utilizan correctamente. La recogida de polvo puede reducir los riesgos relacionados con él.
- Aunque se familiarice con el uso de la herramienta, no se relaje e ignore los principios de seguridad. Descuidarse puede provocar daños graves en una fracción de segundo.

USO Y CUIDADO DE LA HERRAMIENTA ELÉCTRICA

- No fuerce la herramienta. Use el producto adecuado para su aplicación. El producto adecuado funcionará mejor y de forma más segura en el ámbito para el que está diseñado.
- No utilice la herramienta eléctrica si el interruptor de encendido no responde. Cualquier herramienta que no puede ser controlada con el interruptor de encendido es peligrosa y debe ser reparada.
- Desconecte el enchufe de la fuente de alimentación y/o quite la batería, si es extraíble, de la herramienta eléctrica antes de realizar ningún ajuste, cambiar los accesorios o guardar las herramientas eléctricas. Tales medidas de seguridad preventivas reducen el riesgo de encender el producto accidentalmente.
- Coloque las herramientas eléctricas a ralentí fuera del alcance de los niños y no permita que personas no familiarizadas con la herramienta o con estas instrucciones la utilicen. Las herramientas eléctricas son peligrosas en manos de personas no capacitadas.
- Conserve las herramientas eléctricas y los accesorios. Verifique que las piezas móviles estén alineadas y bien sujetas, que no haya piezas rotas y que no haya cualquier otro problema que pueda afectar al funcionamiento de la herramienta. Si está dañada, lleve la herramienta al servicio técnico autorizado antes de usarla. Muchos accidentes son causados por herramientas que no han recibido un mantenimiento adecuado.
- Mantenga las herramientas de corte afiladas y limpias. Si se mantienen correctamente las herramientas de corte con los bordes afilados, es menos probable que se atasquen y se controlan con más facilidad.
- Use el producto, accesorios y piezas de la herramienta, etc., de acuerdo con estas instrucciones, teniendo en cuenta las condiciones laborales y el trabajo que se ha de llevar a cabo. Utilizar la herramienta eléctrica para realizar trabajos diferentes a los que esta herramienta está destinada podría dar como resultado una situación peligrosa.
- Mantenga las asas y las superficies de agarre secas, limpias y sin aceite ni grasa. Las asas resbaladizas y las superficies de agarre no permiten manejar y controlar con seguridad la herramienta en situaciones inesperadas.

MANTENIMIENTO

- Su herramienta eléctrica debería ser reparada por personas cualificadas, que deberían utilizar únicamente piezas de repuesto idénticas. Esto garantizará la seguridad a la hora de utilizar la herramienta eléctrica.

ADVERTENCIAS DE SEGURIDAD DE LA AMOLADORA DE BANCO

- Utilice siempre gafas de seguridad y una mascarilla.
- Utilice protección auditiva! La exposición a niveles de ruido excesivos puede causar pérdida de audición.
- Este producto no es adecuado para el amolado húmedo.
- No utilice accesorios deteriorados. Antes de cada uso, revise el accesorio, como es el caso de los discos abrasivos, en busca de muescas y fisuras. Después de comprobar que el accesorio se encuentra en buenas condiciones y una vez que lo haya montado, manténgase a distancia del accesorio móvil y deje que la herramienta alcance su velocidad máxima durante un minuto. Si el accesorio está dañado, se romperá al realizar esta prueba.
- La velocidad nominal del accesorio debe ser igual o superior a la velocidad máxima indicada en la herramienta. Los accesorios que funcionen a una velocidad superior a su velocidad nominal pueden romperse y resultar proyectados de la herramienta.
- No amuele nunca en los laterales de la muela. El amolado en el lateral puede provocar que la muela se rompa y sus fragmentos salgan disparados.
- El enchufe debe estar conectado a la toma correspondiente que está instalada adecuadamente y que se una toma de tierra según todos los códigos y ordenanzas locales. Si no está seguro, solicite a un electricista certificado que revise el receptáculo.
- Monte el producto firmemente en el banco de trabajo, el soporte de molienda u otra estructura rígida antes de ponerlo en funcionamiento. Un producto sin fijar es inestable y puede desplazarse durante el funcionamiento. Esto puede provocar daños o lesiones.
- Proporcione una iluminación general y localizada adecuada a fin de evitar efectos estroboscópicos y otros peligros.
- Utilice siempre el producto con las muelas acopladas en los dos husillos para limitar el riesgo de contacto con los husillos giratorios.
- Utilice siempre las protecciones, los soportes de trabajo, las pantallas transparentes y los protectores de chispas que requieran los accesorios.
- Ajuste siempre el soporte de trabajo de forma que el ángulo entre el soporte de trabajo y la tangente de la muela sea siempre superior a 85°.
- Antes de ponerlo en marcha, inspeccione los





componentes y los accesorios del producto para garantizar que no haya condiciones que puedan afectar su correcto funcionamiento. Apriete las tuercas de bloqueo de la muela, los pernos de fijación y todas las abrazaderas y protectores.

- Antes de cada puesta en marcha, inspeccione la muela en busca de daños. No utilice muelas dañadas o sin forma. Sustituya las muelas dañadas de conformidad con las instrucciones.
- Verifique que la muela rota libremente antes de cada puesta en marcha. Con el producto desconectado y el interruptor en OFF, haga girar la muela con la mano. La muela no debe entrar en contacto con ningún componente de la amoladora de banco y no debe haber ninguna unión ni otras condiciones que puedan afectar el correcto funcionamiento.
- Durante cada puesta en marcha, permanezca a un lado de la máquina y accione el interruptor ON. Deje que la amoladora funcione a su máxima velocidad durante un minuto para que aparezcan defectos o grietas no detectados. No ponga en contacto la muela con la pieza de trabajo hasta que el producto haya alcanzado su máxima velocidad.
- Mantenga las manos y las partes del cuerpo alejadas de las muelas. Entrar en contacto con la muela giratoria puede causar lesiones.
- Utilice siempre las protecciones y las pantallas transparentes. Mantenga las protecciones en su lugar y en perfecto estado. Utilizar el producto sin protectores o con protectores dañados puede provocar lesiones.
- Evite quemaduras. La molienda puede provocar que los componentes y la muela se calienten. No toque la muela ni los componentes que puedan estar calientes.
- No utilice el producto para trabajar con componentes pequeños o componentes que no se puedan sostener correctamente. El componente puede salir proyectado y provocar lesiones.
- No amuele nunca en el lateral de la muela. La muela se desmenuzará. Amuele únicamente en la cara de la muela.
- Nunca deje desatendida una herramienta en funcionamiento. Apague la herramienta. Atención, la muela sigue girando por inercia después de que se pare la herramienta. No suelte la herramienta hasta que se detenga por completo.
- Nunca alcance detrás o debajo de las muelas.
- Utilice protectores auditivos, como tapones u orejeras, durante periodos prolongados de uso.
- Desenchufe la herramienta antes de realizar cualquier ajuste, reparación o tarea de mantenimiento. El cable de alimentación debe permanecer desconectado siempre que realice trabajos de mantenimiento en el producto.
- Ajuste los soportes de trabajo y los protectores de chispas con frecuencia para compensar el desgaste de las muelas.
- Ajuste los soportes de trabajo cuando sea necesario

para mantener la menor distancia posible entre los soportes de trabajo y las muelas. Esta distancia debe ser inferior o igual a 2 mm. Como el diámetro de la muela disminuye con el uso, mantenga la distancia máxima de soporte de trabajo ajustándola.

- Ajuste los protectores de chispas cuando sea necesario para mantener la menor distancia posible entre los soportes de trabajo y las muelas. Esta distancia debe ser inferior o igual a 2 mm. Como el diámetro de la muela disminuye con el uso, mantenga la distancia máxima de los protectores de chispas ajustándola.
- Sustituya la muela desgastada cuando ya no sea posible mantener la distancia de 2 mm entre el protector de chispas/soporte de trabajo y la muela.
- Si el protector de chispas o soporte de trabajo se desgastan o sufren daños, sustitúyalos por una pieza de recambio idéntica de un centro de servicio autorizado.
- Cuando coloque una nueva muela, compruebe siempre que las RPM máximas indicadas alcanzan o superan las indicadas en el producto. Asegúrese de que el diámetro de la muela y el tamaño del árbol cumplen lo establecido en las indicaciones. También debe verificar la nueva muela en busca de daños, como defectos o grietas.

INSTRUCCIONES DE SEGURIDAD DE LA MUELA

⚠ ADVERTENCIA

Para reducir el riesgo de lesiones, el usuario debe leer y cumplir las instrucciones, las advertencias y el manual para operadores antes de empezar a utilizar esta muela. No prestar atención a esta advertencia podría causar daños personales. Guarde estas instrucciones.

- El uso de cualquier muela que no sea la recomendada en el manual de instrucciones de la máquina puede suponer un riesgo de lesión personal. Utilice únicamente muelas que hayan indicado una velocidad igual o superior a la indicada en la máquina.
- No use un disco que sea demasiado grueso para dejar que el reborde entre en contacto con las marcas del eje. Los discos más grandes entrarán en contacto con los protectores del disco, mientras que los discos más gruesos evitarán que el tornillo se afloje en el eje. Cualquiera de estas situaciones podría resultar en un accidente grave y causar lesiones personales graves.
- Esta muela está concebida para amolar y moldear metal. No intente realizar operaciones de corte.
- Esta muela solo es adecuada para la molienda en seco.
- No utilice muelas dañadas, astilladas, agrietadas o defectuosas.
- Asegúrese de que la muela abrasiva está correctamente colocada y apretada antes de utilizarla.
- La máquina no debe conectarse nunca a la fuente de alimentación cuando esté instalando o retirando





muelas.

- Guarde la muela de recambio cuidadosamente.
 - Mantenga la muela dentro del envase original, si es posible.
 - Guarde la muela en un lugar seco a temperatura ambiente.
 - Las muelas se pueden guardar en posición vertical en una estantería.
 - No deje que las muelas se caigan o sufran un impacto.

Información disponible en la etiqueta de la muela

La información contenida en la etiqueta de la muela es importante. Léala y revísela cuidadosamente para asegurarse de que selecciona el tipo de muela correcto.

1. fabricante, proveedor, importador o marca registrada
2. Dimensiones nominales de la muela, en concreto, el diámetro del punzón.
3. Tipo abrasivo, tamaño de la veta, grado o dureza, tipo de adherencia y uso de refuerzo.
4. Velocidad máxima de funcionamiento en metros por segundo.
5. velocidad de rotación máxima permitida en 1/min
6. Para la declaración de conformidad, los productos abrasivos se deben marcar con EN 12413.
7. símbolos relativos al uso restrictivo y advertencias de seguridad
8. código de trazabilidad, por ejemplo, el número de producción/lote, número de serie

Es posible que sea necesario sustituir la muela en cualquiera de las siguientes circunstancias.

1. Si la superficie de la muela se ha desgastado de forma irregular, presenta ranuras o ya no es lisa y plana.
2. Si el diámetro de la muela ya no es circular.
3. Si la superficie de la muela queda rodeada con el material de la pieza de trabajo, perdiendo su capacidad de abrasión.
4. Si se observa algún signo de daño.
5. Si resulta difícil trabajar con ella.
6. Si el soporte de trabajo / protector de chispas no se puede ajustar a una distancia ≤ 2 mm de la superficie de la muela.
7. Si el disco sobresale ≤ 1 cm de la brida. Consulte los consejos ofrecidos en la página 147.

RIESGOS RESIDUALES

Incluso cuando se utiliza el producto según las instrucciones, sigue siendo imposible eliminar por completo ciertos factores de riesgo residuales. Pueden surgir los siguientes riesgos durante el uso y el operador debe prestar especial atención para evitar lo siguiente:

- Riesgo de contacto con las partes no protegidas de la muela rotatoria.
- Riesgo de quemaduras en contacto con la muela o pieza de trabajo caliente.
- Existe el riesgo de lesiones en el sistema respiratorio

en caso de que no se utilice una mascarilla antipolvo eficaz.

- Daños auditivos si no se utiliza una protección auditiva eficaz.

CONOZCA EL PRODUCTO

Consulte la página 141.

1. Pantalla transparente x 2
2. Protector de chispas x 2
3. Protección de la muela x 2
4. Disco para desbarbar x 2
5. Soporte de trabajo x 2
6. Interruptor de encendido/apagado
7. Orificio de montaje x 4
8. Perilla de bloqueo del soporte de trabajo x 2

MANTENIMIENTO

- No modifique el producto de ningún modo ni utilice accesorios no aprobados por el fabricante. Su seguridad y la de los demás pueden verse amenazadas.
- No utilice el producto si alguno de los interruptores, protecciones u otras funciones no funcionan según lo previsto. Vaya a un centro de servicio autorizado para ajustes o reparaciones profesionales.
- No realice ajustes mientras la máquina esté en funcionamiento.
- Asegúrese siempre de que el cable de alimentación ha sido retirado de la red eléctrica antes de realizar cualquier ajuste u operaciones de lubricación o al realizar operaciones de mantenimiento en el producto.
- Antes y después de cada uso, compruebe que no hay daños ni piezas rotas en el producto. Mantenga el producto en las mejores condiciones de trabajo sustituyendo de inmediato las piezas por repuestos aprobados por el fabricante.
- Limpie el polvo acumulado utilizando un cepillo o aspirador. No utilice aire comprimido.
- Para garantizar la seguridad y fiabilidad, todas las reparaciones, incluyendo el cambio de escobillas, deben ser realizadas por un centro de servicio autorizado.
- Si el cable de alimentación está dañado, hágalo reemplazar en un Centro de Servicio Habilitado para evitar accidentes.

⚠ ADVERTENCIA

Para más seguridad y fiabilidad, todas las reparaciones deben ser efectuadas por un Centro de Servicio Habilitado RYOBI.

TRANSPORTE Y ALMACENAMIENTO

- Desconecte el cable de alimentación al guardar el producto.
- Limpie el producto utilizando un cepillo y un aspirador.





- Transporte y levante el producto siempre de acuerdo con lo indicado en las instrucciones del manual de usuario.
- Proteja el producto de cualquier impacto violento o de las vibraciones fuertes que se pueden producir durante el transporte en vehículos.
- Sujete el producto para evitar que se deslice o que se caiga.
- Guarde el producto y sus accesorios en un lugar seco y seguro al que no puedan acceder los niños.
- Recomendamos utilizar el paquete original para el almacenamiento del producto y para protegerlo del polvo.

PROTECCIÓN DEL MEDIO AMBIENTE



Recicle las materias primas en lugar de tirarlas a la basura doméstica. Para proteger el medio ambiente, debe separar la herramienta, los accesorios y los embalajes.

SÍMBOLOS EN EL PRODUCTO



Alerta de seguridad



Por favor, lea atentamente las instrucciones antes de encender el producto.



Conformidad CE



Certificado EAC de conformidad



Marca de conformidad ucraniana



Utilice dispositivos de protección para los oídos



Utilice gafas de seguridad



No apto para cortar o moler en mojado



No utilice una rueda de esmeril picada, rajada o defectuosa



Utilice guantes de seguridad



Sentido de giro de la muela (se muestra en la etiqueta de la muela)



Sentido de giro de la muela (se muestra en la protección de la muela)



Los productos eléctricos de desperdicio no deben desecharse con desperdicios caseros. Por favor recíclelos donde existan dichas instalaciones. Compruebe con su autoridad local o minorista para reciclar.

SÍMBOLOS EN ESTE MANUAL



Enchufe la máquina



Desenchufe la herramienta.



Las piezas o accesorios se venden por separado

Los siguientes símbolos y palabras detallan los niveles de cuidado necesarios para usar este producto.

⚠ PELIGRO

Indica una situación inminente de peligro que, si no se evita, provocará la muerte o lesiones graves.

⚠ ADVERTENCIA

Indica una situación potencialmente peligrosa que, si no se evita, podría causar la muerte o lesiones graves.

⚠ PRECAUCIÓN

Indica una situación potencialmente peligrosa que, si no se evita, puede provocar lesiones leves o moderadas.

PRECAUCIÓN

(Sin símbolo de seguridad) Indica una situación que podría ocasionar daños materiales.



La seguridad, el rendimiento y la fiabilidad han sido las máximas prioridades a la hora de diseñar esta amoladora de banco.

UTILIZZO

- Esta amoladora de banco está concebida para amolar y moldear metal. El producto se puede utilizar para afilar herramientas manuales metálicas (p. ej. cinceles, hachas, cuchillos) y brocas, y eliminar rebabas o bordes afilados.
- Con los accesorios adecuados, el producto se puede utilizar para limpiar superficies metálicas utilizando un cepillo metálico o para pulir y abrillantar utilizando un disco de tela.
- Nunca utilice el producto para operaciones de corte.

NORME DI SICUREZZA GENERALI

⚠ AVVERTENZE

Leggere attentamente tutte le avvertenze, le istruzioni e le specifiche fornite con l'apparecchio e fare riferimento alle illustrazioni. La mancata osservanza delle istruzioni riportate di seguito potrebbe provocare incidenti quali incendi, scosse elettriche e/o gravi lesioni fisiche.

Conservare tutte le istruzioni e le avvertenze per eventuali riferimenti futuri. Il termine "elettroutensile" nelle avvertenze si riferisce all'utensile elettrico alimentato con un cavo o all'utensile elettrico alimentato con una batteria (senza fili).

SICUREZZA AREA LAVORO

- **Tenere l'area di lavoro pulita e ben illuminata.** Aree non ordinate o non illuminate possono causare incidenti.
- **Non mettere in funzione gli elettroutensili in atmosfere esplosive, come in presenza di liquidi infiammabili, gas o polvere.** Gli elettroutensili creano scintille che potranno causare incendi se a contatto con polveri o vapori.
- **Tenere bambini ed eventuali osservatori lontani quando si mette in funzione un elettroutensile.** Eventuali distrazioni potranno causare una perdita di controllo.

SICUREZZA ELETTRICA

- **La spina dell'elettroutensile deve combaciare con la presa. Non modificare mai la spina. Non utilizzare eventuali adattatori con elettroutensili con messa a terra (collegati a terra).** Spine non modificate e prese adeguate ridurranno il rischio di scosse elettriche.
- **Evitare il contatto con il corpo con dispositivi con messa a terra come tubi, radiatori, fornelli elettrici e refrigeratori.** Esiste un maggior rischio di scosse elettriche se il corpo dell'operatore entra in contatto con

un dispositivo con messa a terra.

- **Non esporre gli elettroutensili a pioggia o umidità.** Nel caso in cui dell'acqua entrerà nell'elettroutensile, si aumenterà il rischio di scosse elettriche.
- **Non sottoporre il cavo a stress. Non tirare l'elettroutensile dal cavo per trasportarlo, né scollarlo tirando il cavo dell'alimentazione. Tenere il cavo dell'alimentazione lontano da fonti di calore, olio e estremità appuntite o parti in movimento.** Cavi danneggiati o intrecciati potranno aumentare il rischio di scosse elettriche.
- **Quando si mette in funzione un utensile in esterni, utilizzare una prolunga adatta per tali scopi.** Utilizzare un cavo adeguato per esterni ridurrà il rischio di scosse elettriche.
- **Se non è possibile evitare di utilizzare elettroutensili in zone umide, utilizzare una fornitura elettrica con un dispositivo di corrente residua (RCD).** Utilizzare un RCD ridurrà il rischio di scosse elettriche.

SICUREZZA PERSONALE

- **Prestare la massima attenzione a quello che si sta facendo e utilizzare buon senso quando si mette in funzione un utensile. Non utilizzare l'utensile se stanchi o sotto l'influenza di droghe, alcool o medicinali.** Un momento di disattenzione mentre si utilizzano elettroutensili potrà causare gravi lesioni personali.
- **Indossare dispositivi equipaggiamento di protezione personale. Indossare sempre occhiali di protezione.** L'utilizzo si attrezzature di protezione individuali, come maschere antipolveri, scarpe di sicurezza antisdrucciolo, elmetto, e dispositivi auricolari riducono il rischio di lesioni personali.
- **Evitare l'avvio accidentale. Prima di prendere o trasportare il prodotto, o di collegarlo alla presa di corrente e/o al pacco batterie, assicurarsi che il suo interruttore sia spento.** Trasportare dispositivi elettrici con il dito sull'interruttore di attivazione, oppure collegarli all'elettricità con l'interruttore di attivazione inserito, può causare infortuni.
- **Rimuovere eventuali chiavi o dispositivi prima di accendere l'elettroutensile.** Un utensile o un cavo lasciati collegati a una parte rotante dell'elettroutensile potranno causare gravi lesioni personali.
- **Non protendersi. Mantenere sempre l'equilibrio e un punto di appoggio sicuro.** Ciò permetterà un controllo migliore dell'elettroutensile in situazioni inaspettate.
- **Vestirsi adeguatamente. Non indossare abiti con parti svolazzanti o gioielli. Tenere capelli e abiti a dista dalle parti mobili.** Abiti con parti svolazzanti, gioielli o capelli lunghi potranno rimanere impigliati nelle parti in movimento.
- **Ove siano previsti dispositivi di collegamento a impianti di estrazione e di raccolta delle polveri, assicurarne il collegamento e l'utilizzo corretti.** La raccolta delle polveri può ridurre i rischi connessi.



- La familiarità d'uso proveniente dall'impiego frequente degli utensili non deve indurre a operare con eccessiva disinvoltura o a ignorare le norme di sicurezza. Una momentanea disattenzione può causare lesioni gravi in pochi attimi.

UTILIZZO E CURA DI UN UTENSILE

- **Non forzare l'utensile. Utilizzare il prodotto corretto per il lavoro da svolgere.** Il prodotto corretto svolgerà il lavoro in modo migliore e in maniera più sicura se lo si utilizza alla potenza di utilizzo per la quale è stato progettato.
- **Non utilizzare l'elettro utensile se l'interruttore non lo accende o spegne.** Un elettro utensile non controllabile dall'interruttore è pericoloso e deve essere riparato.
- **Prima di regolare, sostituirne gli accessori o riporre gli utensili elettrici, scollegare la spina dalla presa elettrica e/o rimuovere il gruppo batteria, se rimovibile.** Tali misure preventive di sicurezza riducono il rischio di avviare accidentalmente il prodotto.
- **Riporre elettro utensili non in funzione lontano dalla portata dei bambini e non lasciare che persone che non conoscono il funzionamento dell'elettro utensile mettano in funzione il dispositivo.** Gli elettro utensili possono essere pericolosi nelle mani di operatori non qualificati.
- **Mantenere gli utensili elettrici e i loro accessori. Controllare il corretto allineamento o l'ingolfamento di parti in movimento, la rottura di parti e qualsiasi altra condizione che potrà influire sul funzionamento dell'utensile. Se danneggiato farlo riparare prima di utilizzarlo di nuovo.** Utensili sui quali non viene svolta una corretta manutenzione potranno causare gravi incidenti.
- **Mantenere gli utensili da taglio affilati e puliti.** Se mantenuti in modo appropriato con lame affilate, gli strumenti da taglio vanno incontro meno frequentemente a inceppamento e sono più facili da controllare.
- **Utilizzare il prodotto, gli accessori, le punte, ecc. secondo le indicazioni contenute in queste istruzioni, tenendo conto delle condizioni di lavoro e del compito da eseguire.** Utilizzare l'elettro utensile per operazioni diverse da quelle indicate potrà causare situazioni pericolose.
- **Mantenere la maniglia e le superfici di presa asciutte, pulite e prive di olio o grasso.** Maniglie e superfici di presa scivolose non consentono di maneggiare e controllare in sicurezza lo strumento in caso di situazioni impreviste.

MANUTENZIONE

- **Fare svolgere sempre le dovute riparazioni da una persona qualificata che utilizzi solo parti di ricambio identiche.** In questo modo verrà garantita la sicurezza dell'utensile.

ADVERTENCIAS DE SEGURIDAD DE LA AMOLADORA DE BANCO

- **Indossare sempre occhiali di protezione e una maschera per la polvere.**
- **Indossare protezioni acustiche adeguate.** L'esposizione prolungata al rumore senza protezione può causare danni all'udito.
- **Questo prodotto non è adatto per la smerigliatura a umido.**
- **Non utilizzare un accessorio danneggiato. Prima di ogni uso, ispezionare l'accessorio come le mole abrasive per individuare la presenza di schegge o crepe. Dopo avere verificato che l'accessorio è in buono stato e dopo averlo installato, tenersi a debita distanza dall'accessorio mobile ed attendere circa un minuto affinché l'apparecchio raggiunga la velocità massima.** Se l'accessorio è danneggiato, si romperà durante questo test.
- **La velocità nominale dell'accessorio deve essere pari o superiore alla velocità massima indicata sull'apparecchio.** Gli accessori utilizzati ad una velocità superiore alla loro velocità nominale possono infatti rompersi ed essere proiettati verso l'esterno.
- **Non smerigliare mai sui lati della mola.** La smerigliatura laterale può causare la rottura e il distacco della mola.
- La spina deve essere inserita in una presa idonea correttamente installata e collegata seguendo tutte le norme locali. Si no está seguro, solicite a un electricista certificado que revise el receptáculo.
- Monte el producto firmemente en el banco de trabajo, el soporte de molienda u otra estructura rígida antes de ponerlo en funcionamiento. Un producto sin fijar es inestable y puede desplazarse durante el funcionamiento. Esto puede provocar daños o lesiones.
- Fare in modo che la zona di lavoro sia adeguatamente illuminata in maniera generale o localizzata per evitare effetti e rischi causati da luci stroboscopiche.
- Utilizzare sempre il prodotto con le mole montate su entrambi i mandrini per limitare il rischio di contatto con i mandrini rotanti.
- Utilizzare sempre le protezioni, le basi di appoggio da lavoro, gli schermi trasparenti e i parascintille per gli accessori.
- Regolare sempre la base di appoggio da lavoro in modo che l'angolo tra la base di appoggio e la tangente della ruota di smerigliatura sia sempre superiore a 85°.
- Antes de ponerlo en marcha, inspeccione los componentes y los accesorios del producto para garantizar que no haya condiciones que puedan afectar su correcto funcionamiento. Apriete las tuercas de bloqueo de la muela, los pernos de fijación y todas las abrazaderas y protectores.
- Antes de cada puesta en marcha, inspeccione la muela en busca de daños. No utilice muelas dañadas o sin forma. Sustituya las muelas dañadas de conformidad



con las instrucciones.

- Verifique que la muela rota libremente antes de cada puesta en marcha. Con el producto desconectado y el interruptor en OFF, haga girar la muela con la mano. La muela no debe entrar en contacto con ningún componente de la amoladora de banco y no debe haber ninguna unión ni otras condiciones que puedan afectar el correcto funcionamiento.
- Durante cada puesta en marcha, permanezca a un lado de la máquina y accione el interruptor ON. Deje que la amoladora funcione a su máxima velocidad durante un minuto para que aparezcan defectos o grietas no detectados. No ponga en contacto la muela con la pieza de trabajo hasta que el producto haya alcanzado su máxima velocidad.
- Mantenga las manos y las partes del cuerpo alejadas de las muelas. Entrar en contacto con la muela giratoria puede causar lesiones.
- Utilizzare sempre protezioni e schermi trasparenti. Installare sempre le protezioni e fare in modo che siano in ottime condizioni. Utilizar el producto sin protectores o con protectores dañados puede provocar lesiones.
- Evite quemaduras. La molienda puede provocar que los componentes y la muela se calienten. No toque la muela ni los componentes que puedan estar calientes.
- No utilice el producto para trabajar con componentes pequeños o componentes que no se puedan sostener correctamente. El componente puede salir proyectado y provocar lesiones.
- No amuele nunca en el lateral de la muela. La muela se desmenuzará. Amuele únicamente en la cara de la muela.
- Non lasciare mai l'utensile incustodito. Arrestare l'utensile. Attenzione: Dopo l'arresto dell'apparecchio, la mola continua a girare per inerzia. Non lasciare l'utensile fino a che non si ferma completamente.
- Nunca alcance detrás o debajo de las muelas.
- Utilice protectores auditivos, como tapones u orejeras, durante periodos prolongados de uso.
- Scollegare la spina prima di svolgere eventuali regolazioni e operazioni di manutenzione. El cable de alimentación debe permanecer desconectado siempre que realice trabajos de mantenimiento en el producto.
- Regolare le basi di appoggio da lavoro e i parascintille frequentemente in modo da compensare l'usura delle ruote di smerigliatura.
- Regolare le basi d'appoggio da lavoro laddove necessario per mantenere una distanza minima possibile tra le basi d'appoggio da lavoro e le ruote di smerigliatura. Questa distanza deve essere minore o uguale a 2 mm. Poiché il diametro della mola diminuisce con l'uso, mantenere la distanza massima della base di appoggio dell'utensile eseguendo le opportune regolazioni.
- Ajuste los protectores de chispas cuando sea necesario para mantener la menor distancia posible entre los

soportes de trabajo y las muelas. Questa distanza deve essere minore o uguale a 2 mm. Poiché il diametro della mola diminuisce con l'uso, mantenere la distanza massima del parascintille eseguendo le opportune regolazioni.

- Sostituire la ruota usurata quando la distanza di 2 mm tra il parascintille/base d'appoggio di lavoro e la mola non può essere più mantenuta.
- Se il parascintille o la base di appoggio da lavoro è usurata o danneggiata, sostituirla con un ricambio identico presso un centro di assistenza autorizzato.
- Cuando coloque una nueva muela, compruebe siempre que las RPM máximas indicadas alcanzan o superan las indicadas en el producto. Asegúrese de que el diámetro de la muela y el tamaño del árbol cumplen lo establecido en las indicaciones. También debe verificar la nueva muela en busca de daños, como defectos o grietas.

INSTRUCCIONES DE SEGURIDAD DE LA MUELA

⚠ AVVERTENZE

Para reducir el riesgo de lesiones, el usuario debe leer y cumplir las instrucciones, las advertencias y el manual para operadores antes de empezar a utilizar esta muela. Si no presta atención a estas advertencias la rueda podría romperse y provocar lesiones físicas. Conservare queste istruzioni.

- El uso de cualquier muela que no sea la recomendada en el manual de instrucciones de la máquina puede suponer un riesgo de lesión personal. Utilice únicamente muelas que hayan indicado una velocidad igual o superior a la indicada en la máquina.
- Non utilizzare una ruota troppo spessa per fare in modo che la flangia esterna sia allineata con i fori sull'albero. Ruote più grandi entreranno in contatto con pararuote, mentre ruote più spesse non permetteranno al bullone di bloccare la ruota sull'albero. Queste situazioni potranno causare gravi incidenti e gravi lesioni personali.
- Esta muela está concebida para amolar y moldear metal. No intente realizar operaciones de corte.
- Esta muela solo es adecuada para la molienda en seco.
- No utilice muelas dañadas, astilladas, agrietadas o defectuosas.
- Asegúrese de que la muela abrasiva está correctamente colocada y apretada antes de utilizarla.
- La máquina no debe conectarse nunca a la fuente de alimentación cuando esté instalando o retirando muelas.
- Guarde la muela de recambio cuidadosamente.
 - Mantenga la muela dentro del envase original, si es posible.
 - Guarde la muela en un lugar seco a temperatura ambiente.



- Las muelas se pueden guardar en posición vertical en una estantería.
- No deje que las muelas se caigan o sufran un impacto.

Información disponible en la etiqueta de la muela

La información contenida en la etiqueta de la muela es importante. Léala y revísela cuidadosamente para asegurarse de que selecciona el tipo de muela correcto.

1. productor, proveedor, importador o marchio registrado
2. Dimensiones nominales de la muela, en concreto, el diámetro del punzón.
3. Tipo abrasivo, tamaño de la veta, grado o dureza, tipo de adherencia y uso de refuerzo.
4. Velocidad máxima de funcionamiento en metros por segundo.
5. velocidad máxima de rotación permitida en 1/min
6. Para la declaración de conformidad, los productos abrasivos se deben marcar con EN 12413.
7. restricción de los símbolos de uso y advertencias de seguridad
8. código de rastreabilidad, por ejemplo número de producción/partida, número de serie.

La muela podría requerir la sustitución en una cualquiera de las siguientes circunstancias.

1. Se la superficie de la muela es irregular, scanalata o no es más lisa y plana.
2. Se el diámetro de la muela no es más redondo.
3. Se la superficie de la muela es cargada y desgastada con el material del trabajo.
4. Se no hay signos de daños.
5. Se es difícil trabajar.
6. Se la base de apoyo de trabajo / parascintille no puede ser regulada a una distancia de ≤ 2 mm de la superficie de la muela.
7. Se ≤ 1 cm de disco sobresale de la flange. Consultar los consejos en la página 147.

RISCHI RESIDUI

Ancora quando il prodotto viene utilizzato come indicato, sarà ancora impossibile eliminare completamente alcuni fattori di rischio residuo. Si potranno verificare i seguenti rischi e l'operatore dovrà prestare particolare attenzione per evitare quanto segue:

- Riesgo de contacto con las partes no protegidas de la muela rotatoria.
- Riesgo de quemaduras en contacto con la muela o pieza de trabajo caliente.
- Daños al sistema respiratorio en el caso en el que no se usará una máscara para la polvo.
- Daños al oído en el caso en el que no se usen auriculares.

FAMILIARIZZARE CON IL PRODOTTO

Vedere a pagina 141.

1. Schermo trasparente x 2
2. Protector de chispas x 2

3. Pararuote x 2
4. Mola per sbavatura x 2
5. Soporte de trabajo x 2
6. Interruttore On/Off (Acceso/Spento)
7. Foro di supporto x 4
8. Perilla de bloqueo del soporte de trabajo x 2

MANUTENZIONE

- Non modificare il prodotto in alcun modo né utilizzare accessori non approvati dalla ditta produttrice. La sicurezza dell'utente e quella degli altri potrà essere compromessa.
- Non utilizzare il prodotto se interruttori, paralame o altre applicazioni non funzionano come dovrebbero. Riportare presso un centro servizi autorizzato per riparazioni professionali o regolazioni.
- No realice ajustes mientras la máquina esté en funcionamiento.
- Assicurarsi sempre che il cavo dell'alimentazione sia stato rimosso dall'alimentazione principale prima di svolgere le dovute regolazioni, prima di lubrificare o quando si svolgono operazioni di manutenzione sul prodotto.
- Prima e dopo ogni utilizzo, controllare eventuali danni o parti rotte sull'utensile. Tenere il prodotto in condizioni di funzionamento ottimali sostituendo parti con ricambi approvati dalla ditta produttrice.
- Pulire la polvere accumulata utilizzando una spazzola o un aspirapolvere. No utilize aire comprimido.
- Per assicurarsi sicurezza e affidabilità, tutte le riparazioni compreso il cambio delle spazzole, dovranno essere svolte da un centro servizi autorizzato.
- Se il cavo d'alimentazione appare danneggiato, richiederne la sostituzione presso un Centro di Assistenza Autorizzato onde evitare i rischi di incidenti.

AVVERTENZE

Per maggiore sicurezza ed affidabilità, effettuare tutte le riparazioni presso un Centro di Assistenza Autorizzato RYOBI.

TRASPORTO E RIPONIMENTO

- Quando si ripone il prodotto, scollegare la corda dell'alimentazione.
- Pulire il prodotto utilizzando spazzola e aspirapolvere.
- Trasportare e sollevare sempre il prodotto in base alle istruzioni di questo manuale utente.
- Proteggere il prodotto dai grossi impatti o dalle forti vibrazioni che potrebbero verificarsi durante il trasporto dei veicoli.
- Fissare il prodotto per evitare che scivoli o cada.
- Conservare il prodotto e i suoi accessori in un luogo asciutto e sicuro che non è accessibile ai bambini.



- Consigliamo di utilizzare la confezione originale per proteggere il prodotto dalla polvere.

TUTELA DELL'AMBIENTE



Riciclare le materie prime anziché gettarle tra i rifiuti domestici. Per tutelare l'ambiente, l'apparecchio, gli accessori e gli imballaggi devono essere smaltiti separatamente.

SIMBOLI SUL PRODOTTO



Indicazioni sicurezza



Leggere attentamente le istruzioni prima di utilizzare il prodotto.



Conformità CE



Marchio di conformità EurAsian



Marchio di conformità ucraino



Indossare cuffie di protezione



Indossare occhiali di protezione



No apto para cortar o moler en mojado



Non utilizzare ruote smerigliatrici consumate, rotte o difettose



Indossare guanti di sicurezza



Direzione di rotazione della ruota (mostrata sull'etichetta della mola)



Direzione di rotazione della ruota (mostrata sulla protezione della mola)



I prodotti elettrici non devono essere smaltiti con i rifiuti domestici. Vi sono strutture per smaltire tali prodotti. Informarsi presso il proprio Comune o rivenditore di sicurezza per smaltire adeguatamente tali rifiuti.

SIMBOLI NEL MANUALE



Collegare la macchina.



Scollegare l'utensile.



Parti o accessori venduti separatamente

I seguenti simboli indicano i livelli di rischio associati a questo prodotto.

PERICOLO

Indica una situazione immediatamente pericolosa che, se non evitata, potrà causare gravi lesioni o morte.

AVVERTENZE

Indica una situazione potenzialmente pericolosa che, se non evitata potrà causare gravi lesioni o morte.

ATTENZIONE

Indica una situazione potenzialmente pericolosa che, se non evitata, potrà causare lesioni minori o moderate.

ATTENZIONE

(Senza simbolo di allarme in materia di sicurezza) Indica una situazione che può provocare danni materiali.



Bij het ontwerp van uw slijpmachine hebben veiligheid, prestaties en betrouwbaarheid de hoogste prioriteit gekregen.

BEOOGD GEBRUIK

- Deze slijpmachine is bedoeld voor het slijpen en vormen van metaal. Het product kan worden gebruikt voor het slijpen van metalen handgereedschappen (bijvoorbeeld beitels, bijlen, messen) en boorbitjes en voor het verwijderen van bramen of scherpe randen.
- Met de juiste accessoires kan het product worden gebruikt voor het reinigen van metalen oppervlakken met behulp van een staalborstel of polijsten en polijsten met een polijstschijf.
- Gebruik het product nooit voor het afsnijden van materiaal.

ALGEMENE VEILIGHEIDSVOORSCHRIFTEN

⚠ WAARSCHUWING

Lees aandachtig alle waarschuwingen, aanwijzingen en specificaties die bij deze machine worden meegeleverd en bestudeer de afbeeldingen. Als u onderstaande voorschriften niet opvolgt, kan dit leiden tot ongelukken zoals brand, elektrische schokken en/of ernstig lichamelijk letsel.

Bewaar alle waarschuwingen en instructies voor toekomstig gebruik. De term "elektrisch gereedschap" in de waarschuwingen heeft betrekking op uw elektrische gereedschap dat wordt aangedreven door een stroomvoorziening (via een kabel) of gereedschap dat werkt op een accu (snoerloos).

WERKPLEKVEILIGHEID

- **Houd de werkplaats schoon en goed verlicht.** Rommelige of donkere plaatsen nodigen uit tot ongevallen.
- **Gebruik gereedschapswerktuigen niet in explosieve atmosferen, zoals in de aanwezigheid van ontvlambare vloeistoffen, gassen of stof.** Werktuigen kunnen vonken veroorzaken die stof of gassen kunnen ontsteken.
- **Houd kinderen en omstanders weg terwijl u het werktuig gebruikt.** Wanneer u wordt afgeleid kunt u de controle verliezen.

ELEKTRISCHE VEILIGHEID

- **Werktuigstekkers moeten overeenkomen met de contactdoos. Wijzig de stekker nooit. Gebruik geen adapterstekkers met geaarde werktuigen.** Ongewijzigde stekkers en overeenkomstige contactdozen zullen het risico op elektrische schok verminderen.
- **Vermijd lichaamscontact met geaarde oppervlakken, zoals buizen, radiatoren, fornuizen**

en koelkasten. Er bestaat een verhoogd risico op elektrische schokken als uw lichaam geaard is.

- **Stel gereedschapswerktuigen niet bloot aan regen of natte omstandigheden.** Wanneer water een gereedschapswerktuig binnenkomt zal het risico op een elektrische schok toenemen.
- **Misbruik het snoer niet. Gebruik het snoer nooit om het werktuig te dragen of de stekker uit het stopcontact te trekken. Houd het snoer weg van hitte, olie, scherpe randen en bewegende delen.** Beschadigde of verstrikte snoeren verhogen het risico op elektrische schokken.
- **Wanneer u een werktuig buitenshuis gebruikt, gebruikt u een verlengsnoer dat geschikt is voor buitenshuis gebruik, wat het risico op elektrische schok vermindert.**
- **Als het noodzakelijk is dat een werktuig in een vochtige omgeving wordt gebruikt, gebruikt u een stroomtoevoer met aardlekschakelaar.** Het gebruik van een aardlekschakelaar vermindert het risico op elektrische schok.

PERSOONLIJKE VEILIGHEID

- **Blijf alert, kijk naar wat u doet en gebruik uw gezond verstand wanneer u een werktuig bedient. Gebruik het werktuig niet als u moe bent of onder de invloed bent van drugs, alcohol of medicijnen.** Een ogenblik van onoplettendheid terwijl u gereedschapswerktuigen gebruikt, kan leiden tot ernstige persoonlijke letsels.
- **Draag persoonlijke beschermingsmiddelen. Draag altijd gezichtsbescherming.** Gebruik van beschermingsmiddelen zoals een stofmasker, anti-slip veiligheidsschoenen, veiligheidshelm of gehoorbescherming leidt tot minder persoonlijk letsel.
- **Vermijd ongewild starten. Schakel de schakelaar uit voordat u het product aansluit op de voeding en/of accu, oppakt of draagt.** Het dragen van elektrische apparatuur met uw vinger op de schakelaar of het onder spanning zetten van elektrisch apparatuur met ingeschakelde schakelaar leidt tot ongevallen.
- **Verwijder alle afstelsleutels voor u het werktuig inschakelt.** Een sleutel die op een ronddraaiend onderdeel van het werktuig achterblijft, kan leiden tot lichamelijke letsels.
- **Overrek u niet. Houd steeds een goed evenwicht en sta stevig met beide voeten op de grond.** Dit geeft u een betere controle over het werktuig in overwachte omstandigheden.
- **Draag aangepaste kleding. Draag geen losse kleding of juwelen. Houd uw haar en kleding uit de buurt van bewegende delen.** Losse kleding, juwelen of lang haar kan in bewegende delen vast raken.
- **Als er apparatuur wordt meegeleverd voor het aansluiten van stofafzuiging, dient u ervoor te zorgen dat deze op de juiste wijze wordt aangesloten en gebruikt.** Het gebruik van stofafzuiging leidt tot minder stofgerelateerde risico's.



- **Voorkom dat u door het frequent gebruik van gereedschappen laks wordt en de veiligheidsvoorschriften uit het oog verliest.** Een zorgeloze handeling kan binnen een fractie van een seconde ernstig letsel veroorzaken.

GEbruIK EN ONDERHOUD VAN EEN ELEKTRISCH WERKTUIG

- **Forceer de machine niet. Gebruik het juiste product voor uw toepassing.** Het correcte product zal de taak beter en veiliger uitvoeren aan het tempo waarvoor het is ontworpen.
- **Gebruik het werktuig niet als de schakelaar het werktuig niet in- of uitschakelt.** Een werktuig dat niet met de schakelaar kan worden bediend, is gevaarlijk en moet worden gerepareerd.
- **Haal de stekker uit de stroombron en/of verwijder de accu, indien deze afneembaar is, uit het elektrische gereedschap voordat u wijzigingen aanbrengt, accessoires wijzigt of het elektrische gereedschap opbergt.** Dergelijke preventieve veiligheidsmaatregelen verminderen het risico dat het product per ongeluk wordt ingeschakeld.
- **Bewaar niet-gebruikte werktuigen buiten het bereik van kinderen en laat personen die niet vertrouwd zijn met het werktuig of deze instructies, het werktuig niet gebruiken.** Werktuigen zijn gevaarlijk in de handen van niet-opgeleide gebruikers.
- **Elektrisch gereedschap en accessoires moeten worden onderhouden. Controleer op foutieve aflijning of binding van bewegende delen, defecten van onderdelen en alle andere omstandigheden die de werking van het werktuig kunnen beïnvloeden. Indien beschadigd, laat u het werktuig onderhouden voor u het gebruikt.** Veel ongevallen worden veroorzaakt door slecht onderhouden werktuigen.
- **Snijgereedschap moet scherp en schoon worden gehouden.** Goed onderhouden snijgereedschap met scherpe snijranden zal minder snel vastlopen en is gemakkelijker te beheersen.
- **Gebruik het product, de accessoires, bitjes, enz., in overeenstemming met deze instructies, en houd rekening met de werkomstandigheden en de uit te voeren werkzaamheden.** Het gebruik van het werktuig voor niet-voorgescreven gebruik kan leiden tot gevaarlijke situaties.
- **Handvatten en grijpvlakken moeten droog, schoon en vrij van vet en olie worden gehouden.** Als handvatten en grijpvlakken glibberig zijn, kan het gereedschap in onverwachte situaties niet veilig worden gebruikt en beheerd.

ONDERHOUD

- **Laat uw werktuig door een gekwalificeerde reparateur onderhouden en gebruik uitsluitend identieke vervangonderdelen.** Dit zal ervoor zorgen dat de veiligheid van het gereedschap wordt bewaard.

VEILIGHEIDSWAARSCHUWINGEN VOOR DE SLIJPMACHINE

- **Draag altijd een veiligheidsbril en stofmasker.**
- **Draag oorbeschermers. Blootstelling aan geluid kan het gehoor beschadigen.**
- **Dit apparaat is niet geschikt voor nat slijpen.**
- **Gebruik een accessoire niet als het is beschadigd. Controleer voor elk gebruik de accessoires, zoals slijpschijven, op spanen en scheuren. Na te hebben gecontroleerd of de accessoire in goede staat is en na dit te hebben geïnstalleerd, zorgt u dat u op afstand blijft van de accessoire en laat u de machine gedurende één minuut op volle toeren draaien. Als de accessoire is beschadigd, zal het gedurende deze test breken.**
- **De nominale snelheid van de accessoire moet hoger of gelijk zijn aan de maximale snelheid die op de machine is aangegeven.** Als accessoires op een snelheid werken die hoger is dan hun nominale snelheid, kunnen ze breken of worden weggeslingerd.
- **Slijp nooit met de randen van een slijpschijf.** Door het slijpen met de rand kan de schijf breken en uit elkaar spatten.
- **De stekker moet met een overeenkomstige wandcontactdoos worden verbonden die correct is geïnstalleerd en geaard in overeenstemming met de plaatselijke voorschriften en regels. Als u twijfelt laat dan een bevoegde monteur het stopcontact controleren.**
- **Monteer het product stevig aan de werkbank, slijpsteun of andere stijf frame voordat u begint. Een onbeveiligd product is instabiel en kan tijdens de werking verschuiven. Dit kan leiden tot schade of letsel.**
- **Zorg voor voldoende algemene of plaatselijke verlichting om stroboscoopeffect en gevaren te vermijden.**
- **Gebruik om het risico van contact met de roterende assen te beperken het apparaat altijd met slijpschijven bevestigd op beide assen.**
- **Gebruik de afschermingen, werksteunen, transparante schermen en vonkenvangers steeds zoals vereist voor het (de) accessoire(s).**
- **Stel de werksteun steeds zo af, dat de hoek tussen de werksteun en de raaklijn van de slijpschijf groter is dan 85°.**
- **Inspecteer voor het gebruik de onderdelen en alle accessoires van het product om ervoor te zorgen dat er geen omstandigheden zijn die de juiste werking kunnen beïnvloeden. Maak de borgmoeren van het slijpwiel, de bouten en alle klemmen en beschermingselementen vast.**
- **Inspecteer het slijpwiel vóór het opstarten op schade. Gebruik geen beschadigde of vormloze wielen. Vervang een beschadigd slijpwiel conform de instructies.**
- **Controleer telkens voor het opstarten dat het wiel vrij draait. Draai het wiel voorzichtig met de hand rond, met het product losgekoppeld en de schakelaar in de stand**



UIT. Het wiel mag geen contact maken met onderdelen van de slijpmachine en er mogen geen bindende of andere omstandigheden zijn die een juiste werking kunnen beïnvloeden.

- Ga bij elke start aan de zijkant van het product staan en zet hem aan. Laat de slijpmachine een minuut op volle snelheid draaien zodat alle onopgemerkte gebreken of scheuren van het wiel aan het licht komen. Maak geen contact tussen het wiel en het werkstuk tot het product op volle snelheid is.
- Houd handen en lichaamsdelen uit de buurt van de slijpwiel. Contact met het draaiende wiel kan letsel veroorzaken.
- Gebruik altijd afschermingen en transparante schermen. Houd de beschermers op hun plaats en in een goede werktoestand. Het gebruik van het product zonder beschermingselementen of met beschadigde beschermingselementen kan leiden tot letsel.
- Voorkom brandwonden. Slijpen kan ervoor zorgen dat voorwerpen en het slijpwiel heet worden. Raak nooit het slijpwiel of voorwerpen aan als die heet kunnen zijn.
- Gebruik het product niet om te werken aan kleine voorwerpen of voorwerpen die niet goed vastgehouden kunnen worden. Het voorwerp kan worden weggegooid, wat letsel kan veroorzaken.
- Slijp nooit aan de zijkant van het wiel. Het wiel zal breken. Slijp uitsluitend op het wieloppervlak.
- Laat de machine nooit onbeheerd draaien. Schakel het werktuig uit. Pas op: door inertie draait de schijf na uitschakeling van het apparaat nog een tijdje door. Laat het apparaat niet alleen voordat deze volledig stil staat.
- Kom nooit met uw handen achter of onder het slijpwiel.
- Gebruik gehoorbescherming, zoals oordoppen of -kappen, wanneer u de machine langer gebruikt.
- Verwijder de stekker voor u de machine afstelt of onderhoud. Het stroomsnoer moet losgekoppeld blijven wanneer u onderhoud van uw product uitvoert.
- Stel regelmatig de werksteunen en vonkenvangers af om de slijtage van de slijpschijven te compenseren.
- Stel indien nodig de werksteunen af om de afstand tussen de steunen en de slijpschijven zo klein mogelijk te houden. Deze afstand moet kleiner dan of gelijk zijn aan 2 mm. Aangezien de diameter van de slijpschijf naarmate het gebruik ervan afneemt, zal de maximale afstand van de werksteun moeten worden aangehouden door deze aan te passen.
- Stel indien nodig de vonkenvangers af om de afstand tussen de vonkenvangers en de slijpwiel zo klein mogelijk te houden. Deze afstand moet kleiner dan of gelijk zijn aan 2 mm. Aangezien de diameter van het slijpwiel vanwege het gebruik afneemt zult u de maximale afstand van de vonkenvanger moeten aanhouden door hem aan te passen.
- Vervang de versleten schijf wanneer de afstand van 2 mm tussen de vonkenvanger/werksteun en de schijf niet meer kan worden aangehouden.

- Als de vonkenvanger of de werksteun versleten of beschadigd raakt, dan moet deze worden vervangen met een identiek onderdeel van een bevoegd onderhoudscentrum.
- Bij het monteren van een nieuw slijpwiel moet u altijd controleren dat het genoemde maximale toerental gelijk of hoger is aan wat op het product is vermeld. Zorg ervoor dat de wioldiameter en houdergrootte conform de vermelde specificaties zijn. Controleer het nieuwe wiel ook op beschadigingen, zoals gebreken of scheuren.

VEILIGHEIDSINSTRUCTIES VAN HET SLIJPWIEL

⚠ WAARSCHUWING

Om de kans op letsel te verkleinen moet de gebruiker de instructies, waarschuwingen en handleiding lezen en opvolgen, alvorens het slijpwiel wordt gebruikt. Het niet naleven van deze waarschuwingen kan leiden tot het breken van de schijf en ernstig persoonlijk letsel. Bewaar deze instructies.

- Het gebruik van een ander wiel dan het wiel dat is aanbevolen in de instructiehandleiding van de machine kan het risico van persoonlijk letsel met zich meebrengen. Gebruik uitsluitend slijpwiel die een aangegeven snelheid hebben die even hoog of hoger is dan op de machine is aangegeven.
- Gebruik nooit een wiel dat te dik is om de buitenste flens aan het plaatstaal op de as te koppelen. Grotere wielen komen in contact met de wielbeschermers, terwijl dikkere wielen vermijden dat het wiel op de as wordt vastgemaakt. Deze situaties kunnen leiden tot een ernstig ongeval en ernstig persoonlijk letsel veroorzaken.
- Dit wiel is bedoeld voor het slijpen en vormen van metaal. Probeer niets met het wiel af te snijden.
- Dit slijpwiel is alleen geschikt voor droog slijpen.
- Gebruik geen beschadigde slijpwiel, gebruik geen wielen die zijn versplinterd, gescheurd of anderszins defect zijn.
- Controleer vóór gebruik dat het slijpwiel correct is gemonteerd en vastgemaakt.
- Als u de slijpwiel monteert of verwijdert mag de machine nooit op een stroomvoorziening zijn aangesloten.
- Bewaar uw reserveslijpwiel zorgvuldig.
 - Bewaar het wiel indien mogelijk in de originele verpakking.
 - Bewaar het wiel op een droge plek bij kamertemperatuur.
 - Wielen kunnen verticaal op een plank worden opgeslagen.
 - Laat wielen niet vallen of stoten.



Beschikbare informatie op het etiket van het slijpwiël

De informatie op het wietiket is belangrijk. Lees en controleer het zorgvuldig om ervoor te zorgen dat u het juiste type wiel kiest.

1. fabrikant, leverancier, importeur of handelsmerk
2. Nominale afmetingen van het slijpwiël, met name de diameter van de boring.
3. Schuurtype, korrelgrootte, kwaliteit of hardheid, bindingssoort en gebruik van versterking.
4. Maximale bedrijfsnelheid in meter per seconde.
5. maximale toegestane draaisnelheid in 1/min
6. Voor de verklaring van overeenstemming moet schuurproducten zijn gemarkeerd met EN 12413.
7. symbolen voor beperking van gebruik en veiligheidswaarschuwingen
8. traceerbaarheidsscode, bijv. Een product-/batchnummer, serienummer

De schijf moet onder de volgende omstandigheden eventueel worden vervangen.

1. Als het oppervlak van de slijpschijf ongelijkmatig is afgesleten, gegroefd geraakt of niet meer glad en vlak is.
2. Als de diameter van de slijpschijf niet meer rond is.
3. Als het oppervlak van de schijf belast is en dof wordt van het werkstukmateriaal.
4. Als er enig teken van schade is.
5. Als het moeilijk wordt om ermee te werken.
6. Als de werksteun / vonkenvanger niet meer kan worden ingesteld op ≤ 2 mm afstand van het schijfoppervlak.
7. Als er ≤ 1 cm schijf uit de flens steekt. Zie de tips op pagina 147.

RESTRISICO'S

Zelfs wanneer het product zoals voorgeschreven wordt gebruikt, blijft het onmogelijk om alle restrisico's te voorkomen. De volgende gevaren kunnen optreden bij gebruik en de gebruiker dient speciaal op te letten om het volgende te voorkomen:

- Gevaar voor contact met onbeschermden delen van het draaiende wiel.
- Brandgevaar door contact met een heet wiel of het werkstuk.
- Schade aan de luchtwegen als er geen effectief mondkapje wordt gedragen.
- Gehoorschade bij het niet dragen van een efficiënte gehoorbescherming.

KEN UW PRODUCT

Zie pagina 141.

1. Transparant scherm x 2
2. Vonkenvanger x 2
3. Wielbeschermer x 2
4. Afbraamschijf x 2
5. Werksteun x 2
6. Aan-/uitschakelaar

7. Montageopening x 4
8. Vergrendelknop voor de werksteun x 2

ONDERHOUD

- Wijzig het product niet op een manier die niet door de fabrikant is goedgekeurd en gebruik geen accessoires die niet door de fabrikant zijn goedgekeurd. Uw veiligheid en deze van anderen kan in gevaar worden gebracht.
- Gebruik het product niet als de schakelaars, beschermers of andere functies niet naar behoren werken. Breng naar een geautoriseerd onderhoudscentrum voor professionele herstellingen of afstellingen.
- Maak geen aanpassingen terwijl het product in bedrijf is.
- Zorg er altijd voor dat de stekker uit de contactdoos is verwijderd voor u het werktuig afstelt, smeert of onderhoudswerken aan het product uitvoert.
- Voor en na elk gebruik controleert u het product op schade of gebroken onderdelen. Bewaar het product in een uitstekende conditie door onderdelen onmiddellijk te vervangen door vervangonderdelen die door de fabrikant zijn goedgekeurd.
- Verwijder het opgehoopte stof met behulp van een borstel of stofzuiger. Gebruik geen perslucht.
- Om de veiligheid en betrouwbaarheid te garanderen, moeten alle herstellingen, met inbegrip van het vervangen van borstels, door een geautoriseerd onderhoudscentrum worden uitgevoerd.
- Laat een eventueel beschadigd netsnoer vervangen door een erkend servicecentrum om gevaar voor ongelukken te voorkomen.

⚠ WAARSCHUWING

Alle reparaties moeten worden uitgevoerd door een Erkend RYOBI Servicecentrum teneinde de veilige en betrouwbare werking van de machine te garanderen.

TRANSPORT EN OPSLAG

- Wanneer u het product opbergt, ontkoppelt u het stroomsnoer van de stroomtoevoer.
- Reinig het apparaat met een borstel en stofzuiger.
- Draag en til het apparaat uitsluitend op conform de instructies in deze gebruikershandleiding.
- Bescherm het apparaat tegen zware schokken of sterke trillingen, die tijdens het transport in voertuigen kunnen optreden.
- Zorg ervoor dat het apparaat niet kan wegglijden of omvallen.
- Bewaar het apparaat en de accessoires op een droge, veilige plaats die niet toegankelijk is voor kinderen.



- Om het apparaat te beschermen tegen stof adviseren wij het gebruik van de originele verpakking voor opslag.

MILIEUBESCHERMING



Zorg dat grondstoffen worden gerecycleerd in plaats van weggegooid als afval. Om het milieu te beschermen dient de machine, de accessoires en de verpakking gesorteerd bij een erkend recyclingcentrum te worden aangeleverd.

SYMBOLEN OP HET PRODUCT



Veiligheidswaarschuwing



Lees zorgvuldig de instructies voor u het product start.



EG conformiteit



EurAsian-symbool van overeenstemming.



Oekraïens conformiteitssymbool



Draag gehoorbescherming



Draag gezichtsbescherming



Niet voor nat slijpen of snijden



Gebruik geen gebroken, gebarsten of defect slijpwiel



Draag veiligheidshandschoenen



Wielrotatierichting (op het etiket van de schijf)



Wielrotatierichting (aangegeven op de schijfbeschermer)



Elektrisch afval mag niet samen met ander huishoudafval worden weggegooid. Gelieve te recyclen indien de mogelijkheid bestaat. Neem contact op met uw gemeente of handelaar om advies te krijgen over recycling.

SYMBOLEN IN DE GEBRUIKSAANWIJZING



Verbind de machine met de wandcontactdoos.



Trek de machine uit de contactdoos.



Onderdelen of accessoires afzonderlijk gekocht

De volgende kernwoorden en verklaringen zijn bedoeld om de gevaarniveaus die op dit toestel betrekking hebben, te verklaren.

GEVAAR

Wijst op een gevaarlijke situatie die, indien ze niet wordt vermeden, kan leiden tot ernstige verwondingen of de dood.

WAARSCHUWING

Wijst op een mogelijk gevaarlijke situatie die, indien ze niet wordt vermeden, kan leiden tot ernstige verwondingen of de dood.

LET OP

Wijst op een mogelijk gevaarlijke situatie die, indien ze niet wordt vermeden, kan leiden tot lichte of middelmatige verwondingen.

LET OP

(Zonder veiligheidssymbool) Geeft een situatie aan die materiële schade zou kunnen veroorzaken.



Na concepção do seu esmerilador de bancada foi dada a máxima prioridade à segurança, ao desempenho e à fiabilidade.

UTILIZAÇÃO PREVISTA

- Este esmerilador de bancada destina-se a esmerilar e a dar forma a metal. O produto pode ser utilizado para afiar ferramentas metálicas manuais (por exemplo, formões, machados ou facas) e brocas, e para retirar rebarbas e embotar arestas cortantes.
- Com os acessórios correctos, o produto pode ser utilizado para limpar superfícies metálicas usando uma escova de arame, ou para dar lustro ou polimento utilizando uma roda de pano.
- Nunca use o produto para operações de corte.

AVISOS GERAIS DE SEGURANÇA DE FERRAMENTAS ELÉCTRICAS

⚠ AVISO

Leia com atenção todas as advertências, instruções e especificações fornecidas com a ferramenta, e consulte as ilustrações. O incumprimento das instruções seguintes pode ocasionar acidentes como incêndios, choques eléctricos e/ou ferimentos graves.

Guarde todos os avisos e instruções para futuras consultas. O termo "ferramenta eléctrica" nos avisos refere-se à sua ferramenta eléctrica alimentada directamente pela rede eléctrica (com cabo eléctrico) ou à sua ferramenta eléctrica alimentada a baterias recarregáveis (sem cabo eléctrico).

SEGURANÇA NA ÁREA DE TRABALHO

- **Mantenha a área de trabalho limpa e bem iluminada.** As áreas desordenadas ou escuras são um convite para acidentes.
- **Não opere ferramentas eléctricas em atmosferas explosivas, como na presença de líquidos, gases ou poeiras inflamáveis.** As ferramentas eléctricas produzem faíscas que podem inflamar o pó ou fumos.
- **Ao operar esta ferramenta eléctrica, mantenha as crianças e as pessoas presentes afastadas.** As distrações podem levá-lo a perder o controlo.

SEGURANÇA ELÉCTRICA

- **As fichas eléctricas da ferramenta têm de corresponder à tomada. Nunca altere a ficha seja de que maneira for. Não use quaisquer fichas adaptadoras com ferramentas de ligação com terra.** As fichas não modificadas e tomadas compatíveis reduzirão o risco de choque eléctrico.
- **Evite o contacto do corpo com superfícies com ligação terra ou enterradas, tais como tubos, radiadores, fogões e frigoríficos.** Há um aumento do risco de choque eléctrico se o seu corpo estiver ligado

à terra.

- **Não exponha as ferramentas eléctricas à chuva ou a condições de humidade.** Se entra água numa ferramenta eléctrica aumentará o risco de descargas eléctricas.
- **Não puxe pelo cabo. Nunca use o cabo para carregar, puxar ou retirar a ficha da ferramenta da tomada. Mantenha o cabo afastado de fontes de calor, óleo, extremidades afiadas ou peças móveis.** Os cabos danificados ou emaranhados aumentam o risco de choque eléctrico.
- **Ao operar uma ferramenta eléctrica ao ar livre, use um cabo de extensão apropriado para o uso ao ar livre.** A utilização de um cabo apropriado para o uso ao ar livre reduz o risco de choque eléctrico.
- **Se operar uma ferramenta eléctrica num local húmido é inevitável, use uma fonte com protecção de dispositivo de corrente residual (RCD).** O uso de um RCD reduz o risco de choque eléctrico.

SEGURANÇA PESSOAL

- **Mantenha-se alerta, preste atenção àquilo que está a fazer e utilize o senso comum ao operar uma ferramenta. Não use a ferramenta quando estiver cansado ou sob a influência de drogas, álcool ou medicação.** Um momento de distração durante a operação de ferramentas eléctricas pode resultar em lesões físicas graves.
- **Usar equipamento de protecção pessoal. Use sempre protecção para os olhos.** Equipamento de protecção (por exemplo, máscara para poeiras, calçado anti-derrapante, capacete ou protecção para os ouvidos) utilizado para as condições adequadas irá reduzir o risco de ferimentos.
- **Evite o arranque involuntário. Antes de ligar o produto à alimentação eléctrica e/ou ao conjunto de baterias, e antes de pegar no produto ou de o transportar, certifique-se de que o interruptor está na posição de Desligado ("O").** Transportar ferramentas eléctricas tendo o dedo no gatilho ou montar baterias em ferramentas eléctricas tendo o interruptor na posição de Ligado é um convite a acidentes.
- **Remova qualquer chave de ajuste antes de ligar a ferramenta eléctrica.** Uma chave-inglesa ou uma chave colocada numa peça móvel da ferramenta eléctrica pode causar lesões pessoais.
- **Não se aproxime em demasia. Mantenha sempre o equilíbrio e a posição dos pés adequada.** Isto possibilita um melhor controlo da ferramenta eléctrica em situações inesperadas.
- **Vista-se adequadamente. Não use roupas largas ou jóias. Mantenha o seu cabelo e a sua roupa afastados de peças em movimento.** A roupa solta, jóias ou o cabelo comprido podem ficar presos nas peças móveis.
- **Se forem fornecidos dispositivos para fazer a ligação a sistemas de extracção e recolha de**



poeiras, certifique-se de que estão montados e que são correctamente utilizados. A utilização de um sistema de recolha de poeiras pode reduzir os riscos relacionados com poeiras.

- **Estar familiarizado com as ferramentas por as utilizar com frequência não é razão para se tornar descuidado e para ignorar os princípios de segurança referentes a ferramentas.** Uma acção descuidada pode causar ferimentos graves numa fracção de segundo.

UTILIZAÇÃO E MANUTENÇÃO DA FERRAMENTA ELÉCTRICA

- **Não force a ferramenta. Use o produto adequado para a sua aplicação.** O produto adequado funcionará melhor e de forma mais segura no âmbito para o qual foi desenhado.
- **Não use uma ferramenta caso o interruptor não ligue e desligue a ferramenta eléctrica correctamente.** Qualquer ferramenta eléctrica que não possa ser controlada com o interruptor é perigosa e deve ser reparada.
- **Antes de fazer quaisquer ajustes, substituir acessórios, ou guardar ferramentas eléctricas, desencaixe a ficha da tomada da rede eléctrica e/ou desmonte o conjunto de baterias (se for desmontável) da ferramenta eléctrica.** Estas medidas de segurança preventivas reduzem o risco de activar o produto acidentalmente.
- **Armazene as ferramentas eléctricas fora do alcance das crianças e não permita que pessoas não familiarizadas com a ferramenta eléctrica ou com estas instruções utilizem a ferramenta eléctrica.** As ferramentas eléctricas são perigosas nas mãos de utilizadores inexperientes.
- **Faça manutenção às ferramentas eléctricas e aos respectivos acessórios. Verifique se as peças móveis estão bem alinhadas ou presas, se há peças partidas e quaisquer outras situações que possam afectar o funcionamento da ferramenta. Se estiver danificada, leve a ferramenta ao serviço técnico autorizado antes de a usar.** Muitos acidentes são causados por ferramentas que não receberam manutenção adequada.
- **Mantenha as ferramentas de corte afiadas e limpas.** Ferramentas de corte que tenham recebido manutenção correcta para manter as arestas de corte afiadas têm menor probabilidade de encravar e são mais fáceis de controlar.
- **Utilize o produto, os acessórios e as peças de encaixe na ferramenta, etc. de acordo com estas instruções, levando em consideração as condições de trabalho e as tarefas a serem executadas.** O uso da ferramenta eléctrica para as operações diferentes daquelas a que se destina podem causar uma situação perigosa.
- **Mantenha as pegas e as superfícies de prensão secas, limpas, e livres de óleo e de gordura.** Pegas e superfícies de prensão escorregadias não permitem

manusear a ferramenta em segurança, nem permitem manter o controlo da ferramenta em situações inesperadas.

ASSISTÊNCIA

- **A manutenção da sua ferramenta eléctrica deve ser efectuada por uma pessoa qualificada para reparações, utilizando apenas peças de substituição idênticas.** Isto assegurará que a segurança da ferramenta eléctrica é mantida.

AVISOS DE SEGURANÇA DO ESMERILADOR DE BANCADA

- **Utilize sempre óculos de segurança e uma máscara.**
- **Sempre use a protecção dos ouvidos. A influência de ruídos pode causar surdez.**
- **Este produto não é adequado para esmerilar com líquidos.**
- **Não utilize um acessório danificado. Antes de cada utilização, inspecione os acessórios, tais como rodas abrasivas, para identificar lascas ou fissuras. Se a ferramenta ou o acessório cair, verifique se nenhum elemento ficou danificado e, sendo necessário, instale um acessório novo.** Se o acessório estiver danificado, vai quebrar durante este teste.
- **A velocidade nominal do acessório deve ser igual ou superior à velocidade máxima indicada na ferramenta.** Os acessórios que funcionam a uma velocidade superior à sua velocidade nominal podem quebrar e ser ejectados.
- **Nunca esmerile nos lados de uma roda de esmerilar.** Esmerilar no lado da roda pode provocar a quebra da roda e a projecção de pedaços da mesma.
- **A fi cha deve ser inserida numa tomada correspondente devidamente instalada e com ligação à terra em conformidade com todos os códigos e regulamentos locais. Se não tiver a certeza, peça a um electricista certificado para verificar a tomada de rede eléctrica.**
- **Antes da operação, monte o produto com firmeza na bancada de trabalho, no cavalete do esmerilador ou noutra estrutura rígida. Um produto que não esteja fixado em segurança é instável e pode deslocar-se durante a utilização. Isto poderá resultar em danos ou ferimentos.**
- **Forneça iluminação geral ou localizada adequada de modo a evitar efeitos estroboscópicos e perigos.**
- **Utilize sempre o produto com as rodas de esmerilar encaixadas em ambos os eixos para limitar o risco de contacto com os eixos rotativos.**
- **Utilize sempre proteções, encostos da ferramenta, ecrãs transparentes e protetores de faíscas conforme necessário para os acessórios.**
- **Ajuste sempre o apoio do trabalho, de modo a que o ângulo entre o encosto da ferramenta e a tangente da roda de esmerilar seja sempre superior a 85°.**



- Antes da operação, inspecione os componentes e quaisquer acessórios do produto, para se certificar de que não há nenhuma condição que possam afectar a operação correcta. Dê aperto às contraporcas da roda de esmeril, fixando em segurança os parafusos e todos os grampos e guardas.
- Antes de cada arranque, inspecione a roda de esmeril, procurando danos. Não use rodas que tenham danos ou que tenham perdido a forma. Substitua qualquer roda de esmeril que esteja danificada, de acordo com as instruções.
- Antes de cada vez que for utilizar o esmerilador, certifique-se de que a roda gira livremente. Com a ficha do cabo eléctrico do produto desengançada da tomada da rede eléctrica, e com o interruptor na posição de Desligado (OFF), faça girar a roda à mão, cuidadosamente. A roda não deve entrar em contacto com nenhuns componentes do esmerilador de bancada, e não deve prender, nem deve haver outras condições que possam afectar a operação correcta.
- Sempre que for dar arranque ao produto, ponha-se junto a um dos lados do produto e ponha o interruptor na posição de Ligado (ON). Deixe o esmerilador funcionar à velocidade máxima durante 1 minutos, para que se tornem visíveis quaisquer defeitos ou rachas da roda por detectar. Não ponha a peça de trabalho em contacto com a roda enquanto o produto não tiver atingido a velocidade máxima.
- Mantenha as mãos e outras partes do corpo afastadas das rodas de esmeril. Entrar em contacto com a roda rotativa pode causar ferimentos.
- Utilize sempre proteções e ecrãs transparentes. Mantenha as protecções no lugar e operacionais. Operar o produto sem as guardas ou com as guardas danificadas pode causar ferimentos.
- Evite queimaduras. O esmerilamento pode fazer com que as peças de trabalho e a roda de esmeril fiquem quentes. Não toque na roda de esmeril nem nas peças de trabalho que possam estar quentes.
- Não use o produto para trabalhar em peças pequenas, ou em peças que não possam ser agarradas correctamente. A peça de trabalho pode ser projectada e causar ferimentos.
- Nunca esmerile no lado da roda. A roda irá fragmentar-se. Esmerile apenas na face da roda.
- Nunca deixe uma ferramenta em funcionamento sem vigilância. Desligue a ferramenta. Atenção, o disco gira por inércia durante alguns momentos depois da paragem da ferramenta. Não deixe a ferramenta até que se detenha totalmente.
- Nunca tente chegar com a mão à parte de trás ou à parte de baixo das rodas de esmeril.
- Durante períodos de operação prolongados, use protecção para os ouvidos (por exemplo, tampões ou auriculares).
- Desligue a ferramenta da tomada antes de realizar qualquer ajuste, reparação ou tarefa de manutenção. Quando estiver a fazer manutenção ao produto, a

ficha do cabo eléctrico tem de estar desengançada da tomada da rede eléctrica.

- Ajuste os encostos da ferramenta e as proteções de faiscas frequentemente, de modo a compensar o desgaste das rodas de esmeril.
- Ajuste os encostos da ferramenta sempre que necessário, para manter a distância entre os encostos de ferramenta e as rodas de esmeril o mais pequena possível. No máximo, esta distância deverá ser de 2 mm. À medida que o diâmetro da roda de esmeril for diminuindo com o uso, vá ajustando a distância do encosto da ferramenta, para não exceder a distância máxima.
- Ajuste os tapa-faíscas sempre que necessário, para manter a distância entre os tapa-faíscas e as rodas de esmeril o mais pequena possível. No máximo, esta distância deverá ser de 2 mm. À medida que o diâmetro da roda de esmeril for diminuindo com o uso, vá ajustando a distância do tapa-faísca, para não exceder a distância máxima.
- Substitua a roda gasta quando não for possível manter a distância de 2 mm entre a protecção de faiscas/encosto da ferramenta e a roda.
- Se a protecção de faiscas ficar torcida ou danificada, substitua-a por um sobresselente idêntico, fornecido por um centro de assistência técnica autorizado.
- Quando montar uma roda de esmeril nova, certifique-se sempre de que o número máximo de rotações (RPM) declarado é igual ou superior ao número de rotações declarado no produto. Certifique-se de que o diâmetro da roda e o tamanho da haste correspondem às especificações técnicas. Para além disso, inspecione a nova roda, procurando danos (por exemplo, defeitos ou rachas).

INSTRUÇÕES DE SEGURANÇA PARA A RODA DE ESMERIL

⚠ AVISO

Para reduzir o risco de ferimentos, o utilizador tem de ler e cumprir as instruções, os avisos e o Manual de Instruções antes de começar a utilizar esta roda de esmeril. Se não prestar atenção a estas advertências a roda poderá partir e provocar lesões físicas. Guarde estas instruções.

- A utilização de qualquer outra roda sem ser a recomendada no Manual de Instruções da máquina pode causar risco de ferimentos pessoais. Use apenas rodas de esmeril cuja velocidade marcada seja igual ou superior à velocidade marcada na máquina.
- Nunca use uma roda que seja demasiado grossa para permitir que a flange exterior engate cim as abas no eixo. Rodas maiores entrarão em contacto com as protecções da roda, enquanto rodas mais grossas impedirão o parafuso de fixar a roda ao eixo. Qualquer destas situações pode resultar num acidente grave e



causar lesões pessoais graves.

- Este roda destina-se a esmerilar e dar forma a metal. Não tente fazer operações de corte.
- Esta roda de esmeril é adequada apenas para esmerilamento a seco.
- Não use rodas de esmeril danificadas – não use rodas que estejam lascadas, rachadas ou que tenham outros defeitos.
- Antes da utilização, certifique-se de que a roda de esmeril abrasiva está correctamente montada e que tem o aperto correcto.
- A máquina nunca deve estar ligada à corrente eléctrica quando estiver a montar ou a desmontar as rodas de esmeril.
- Guarde as suas rodas de esmeril sobresselentes cuidadosamente.
 - Se possível, mantenha a roda dentro da embalagem de origem.
 - Guarde a roda numa área seca, à temperatura ambiente.
 - As rodas podem ser guardadas à vertical, numa prateleira.
 - Não deixe que as rodas caiam, nem que sofram impactos.

Informação disponível no rótulo da roda de esmeril

As informações no rótulo da roda são importantes. Leia as informações e verifique-as com atenção, para se certificar de que está a escolher o tipo correcto de roda.

1. fabricante, fornecedor, importador ou marca registada
2. As dimensões nominais da roda de esmeril, em especial o diâmetro do furo central.
3. Tipo de abrasivo, tamanho do grão, grau ou dureza, tipo de aglutinante e utilização de reforço.
4. Velocidade máxima de operação, em metros por segundo.
5. velocidade de rotação máxima permitida em 1/min
6. Para a declaração de conformidade, as marcações dos produtos abrasivos estão em conformidade com a norma EN 12413.
7. símbolos relativos ao uso restritivo e advertências de segurança
8. código de rastreabilidade, por exemplo, o número de produção/lote, número de série

A roda poderá exigir a substituição em qualquer das seguintes circunstâncias.

1. Se a face da roda de esmerilar apresentar um desgaste irregular, apresentar marcas ou se deixar de estar lisa e plana.
2. Se o diâmetro da roda de esmerilar deixar de estar redondo.
3. Se a superfície da roda ficar carregada ou baça com material da peça de trabalho.
4. Se existirem quaisquer sinais de danos.
5. Se dificultar o trabalho.
6. Se não for possível ajustar o encosto da ferramenta/

proteção de faíscas a uma distância de ≤ 2 mm da superfície da roda.

7. Se ≤ 1 cm do disco ficar saliente da flange. Consulte as sugestões apresentadas na página 147.

RISCOS RESIDUAIS

Mesmo quando se utiliza o produto segundo as instruções, continua a ser impossível eliminar por completo certos fatores de risco residuais. Podem surgir os seguintes riscos durante o uso e o operador deve prestar especial atenção para evitar o seguinte:

- Risco de contacto com partes desprotegidas da roda em rotação.
- Risco de queimadura por contacto com roda quente ou peça de trabalho quente.
- Existe o risco de lesões para o sistema respiratório caso não se use uma máscara contra o pó eficaz.
- Danos para a audição caso não se utilize protecção auditiva eficaz.

CONHEÇA O SEU PRODUTO

Consulte a página 141.

1. Ecrã transparente x 2
2. Tapa-faíscas x 2
3. Protecção da roda x 2
4. Disco de rebarbar x 2
5. Encosto de ferramenta x 2
6. Interruptor desligado/ligado
7. Orifício de montagem x 4
8. Manípulo de bloqueio do encosto de ferramenta x 2

MANUTENÇÃO

- Não modifique o produto de nenhum modo nem utilize acessórios não aprovados pelo fabricante. A sua segurança e a dos demais pode ver-se ameaçada.
- Não utilize o produto se algum dos interruptores, proteções ou outras funções não funcionam conforme o previsto. Dirija-se a um centro de serviço autorizado para ajustes ou reparações profissionais.
- Não faça nenhuns ajustes enquanto o produto estiver em funcionamento.
- Assegure-se sempre que o cabo de alimentação foi retirado da rede elétrica antes de realizar qualquer ajuste ou operações de lubrificação ou ao realizar operações de manutenção no produto.
- Antes e depois de cada uso, verifique se há danos ou partes partidas no produto. Mantenha o produto nas melhores condições de trabalho substituindo de imediato as peças por peças sobresselentes aprovadas pelo fabricante.
- Limpe o pó acumulado utilizando uma escova ou aspirador. Não use ar comprimido
- Para garantir a segurança e fiabilidade, todas as reparações, incluindo a substituição de escovas, devem ser realizadas por um centro de serviço autorizado.



- Se o cabo de alimentação ficar danificado, mande substituí-lo num Centro de Serviço Autorizado para evitar os riscos de acidentes.

⚠ AVISO

Para mais segurança e fiabilidade, todas as reparações devem ser feitas por um Centro de Serviço Autorizado RYOBI.

TRANSPORTE E ARMAZENAMENTO

- Desconecte o cabo de alimentação ao guardar o produto.
- Limpe o produto utilizando uma escova e um aspirador.
- Transporte e levante sempre o produto de acordo com as instruções indicadas neste manual do utilizador.
- Proteja o produto de quaisquer impactos ou vibrações fortes, que possam ocorrer durante o transporte em veículos.
- Fixe o produto para impedir que deslize ou caia.
- Guarde o produto e os respetivos acessórios num local seco e seguro, fora do alcance das crianças.
- Recomendamos a utilização da embalagem original para guardar e proteger o produto do pó.

PROTECÇÃO DO AMBIENTE



Recicle os materiais em vez de pô-los directamente no lixo doméstico. Para proteger o ambiente, a ferramenta, os acessórios e as embalagens devem ser seleccionados.

SÍMBOLOS NO PRODUTO



Alerta de segurança



Por favor, leia atentamente as instruções antes de acender o produto.



Conformidade CE



Marca de conformidade EurAsian.



Marca de conformidade ucraniana

001



Use protecção para os ouvidos



Use protecção para os olhos



Não é adequado para cortar ou moer no molhado



Não use uma mó lascada, rachada ou com defeito



Use luvas de segurança



Direção de rotação da roda (apresentada na etiqueta da roda)



Direção de rotação da roda (apresentada na proteção da roda)



Os aparelhos eléctricos antigos não devem ser eliminados juntamente com o lixo doméstico. Recicle onde existem instalações para o efeito. Verifique com as suas Autoridades Locais ou revendedor para obter informações sobre reciclagem.

SÍMBOLOS NESTE MANUAL



Ligue a ficha da máquina à tomada.



Desligue a ferramenta.



As peças ou acessórios vendem-se separadamente

As seguintes palavras de sinal e significados destinam-se a explicar os níveis de risco associados a este produto.

⚠ PERIGO

Indica uma situação de perigo iminente, a qual, se não for evitada, pode resultar em morte ou ferimentos graves.

⚠ AVISO

Indica uma situação potencialmente perigosa que, se não for evitada, pode resultar em morte ou ferimentos graves.



EN
FR
DE
ES
IT
NL
PT
DA
SV
FI
NO
RU
PL
CS
HU
RO
LV
LT
ET
HR
SL
SK
BG
UK
TR
EL

⚠ CAUTELA

Indica uma situação potencialmente perigosa que, se não for evitada, pode resultar em ferimentos leves ou moderados.

CAUTELA

(Sem símbolo de segurança) Indica uma situação que pode provocar danos materiais.



Ved udformningen af din bænksliber har vi givet topprioritet til sikkerhed, gode resultater og driftssikkerhed.

TILTÆNKT ANVENDELSESFORMÅL

- Denne bænksliber er beregnet til slibning og formning af metal. Produktet kan anvendes til at slibe håndværktøj i metal (f.eks. mejsler, økser, knive) og borekroner, og fjerne boregrater eller skarpe kanter.
- Med det rigtige tilbehør kan produktet anvendes til at rengøre metaloverflader ved hjælp af en stålbørste eller til at pudse og polere ved hjælp af en pudsekive.
- Anvend aldrig produktet til afskærningshandlinger.

ALMINDELIGE SIKKERHEDSREGLER FOR ELVÆRKTØJET

⚠ ADVARSEL

Læs alle omhyggeligt alle advarsler, anvisninger og specifikationer, som følger med maskinen, og studer illustrationerne. Hvis nedenstående forskrifter ikke overholdes, kan der ske uheld og ulykker som brand, elektrisk stød og/eller alvorlige personskader.

Gem alle advarsler og brugsanvisninger til senere brug. Betegnelsen "eldrevet værktøj" i advarslerne henviser til jeres ledningsforbundne elværktøj eller batteridrevne (ledning frie) elværktøj.

SIKKERHED I ARBEJDSOMRÅDET

- **Hold arbejdsområdet rent og godt oplyst.** Rodede eller mørke områder inviterer til ulykker.
- **Brug ikke elværktøjer i eksplosive omgivelser som fx i nærheden af brandbar væske, gas eller støv.** Elværktøjer udløser gnister, som kan antænde støvet eller dampene.
- **Der må ikke være børn og tilskuere i nærheden, når et elværktøj anvendes.** Distractioner kan medføre, at du mister kontrollen.

ELEKTRISK SIKKERHED

- **Elværktøjets elstik skal passe til elnetkontakten.** Elstikket må aldrig modificeres på nogen som helst måde. Undlad brug af adapterstik til jordede (stelforbundne) elværktøjer. Umodificerede elstik og passende elnetkontakter reducerer faren for elektrisk stød.
- **Undgå kropskontakt med jordede eller stelforbundne overflader som fx rør, radiators, komfurer og køleskabe.** Der er forøget risiko for elektrisk stød, hvis din krop er forbundet med jord eller stel.
- **Undlad at udsætte elværktøjer for regn eller fugt.** Hvis der trænger vand ind i et elværktøj, øges faren for elektrisk stød.
- **Undlad at misbruge ledningen.** Ledningen må aldrig

bruges til at bære eller trække i elværktøjet eller til at trække stikket ud. Hold ledningen på afstand af varme, olie og skarpe kanter eller bevægelige dele. Beskadede eller sammenfildrede ledninger øger faren for elektrisk stød.

- **Når et elværktøj anvendes i det fri, skal der bruges en forlængerledning, der er egnet til udendørs brug.** Brug af ledninger beregnet til udendørs brug reducerer faren for elektrisk stød.
- **Hvis man er nødt til at bruge elværktøjer i fugtige omgivelser, skal strømforsyningen have en fejlstrømsafbryder (RCD-afbryder).** Brug af fejlstrømssikring reducerer faren for elektrisk stød.

PERSONLIG SIKKERHED

- **Vær årvågen, hold øje med, hvad du gør, og brug sund fornuft, når du benytter et værktøj.** Undlad at bruge værktøjet, hvis du er træt eller påvirket af narkotika, alkohol eller medikamenter. Et øjeblikks uopmærksomhed under brug af motoriserede værktøjer kan medføre alvorlige personskader.
- **Bær personlige værnemidler. Brug altid øjenværn.** Personlige værnemidler som støvmaske, skridsikre sikkerhedssko, beskyttelseshjelm eller høreværn anvendt under de rette betingelser nedsætter antallet af personskader.
- **Undgå utilsigtet start. Sørg for, at afbryderen er slukket (i off-position), før du tilslutter produktet til strømkilden og/eller batteriet eller løfter eller går rundt med produktet.** Der kan ske en ulykke, hvis du går rundt med fingeren på afbryderen eller tilslutter strøm til elværktøj med afbryderen tændt.
- **Fjern evt. skruenøgler, inden der tændes for elværktøjet.** En efterladt skruenøgle fastgjort til en roterende del af elværktøjet kan medføre personskader.
- **Læn dig aldrig for langt frem. Sørg for altid at have godt fodfæste og god balance.** Dette giver bedre kontrol over elværktøjet i uventede situationer.
- **Vær ordentligt klædt på. Bær ikke løstsiddende tøj eller smykker. Hold hår og beklædning på afstand af bevægelige dele.** Løstsiddende tøj, smykker eller langt hår kan hænge fast i bevægelige dele.
- **Hvis der medfølger anordninger til tilslutning af støvudsugning og støvopsamling, skal det sikres, at de tilsluttes og bruges korrekt.** Brug af støvopsamling kan nedsætte faren for forbundet med støv.
- **Lad ikke fortroligheden, der er opstået ud fra hyppig brug af et redskab, påvirke dig til at være tilbagelænet og ignorere sikkerhedsprincipper.** En skødesløs handling kan forårsage alvorlig personskade inden for en brøkdel af et sekund.

BRUG OG PLEJE AF ELVÆRKTØJ

- **Undlad at tvinge værktøjet. Brug det korrekte produkt til anvendelsesformålet.** Det korrekte produkt klarer opgaven bedre og sikrer i den hastighed, det er designet til.



- **Elværktøjet må ikke tages i brug, hvis TÆND/SLUK-kontakten ikke virker.** Et elværktøj, der ikke kan kontrolleres med TÆND/SLUK-kontakten, er farligt og skal repareres.
- **Fjern stikket fra strømkilden, og/eller fjern batteripakken fra elværktøjet, hvis den er aftagelig, før du foretager justeringer, udskifter tilbehør eller lægger elværktøjet væk.** Sådanne forebyggende sikkerhedsforanstaltninger reducerer risikoen for opstart af produktet ved et uheld.
- **Når elværktøjer ikke bruges, skal de opbevares utilgængeligt for børn; personer, som ikke er fortrolige med elværktøjet eller denne brugsanvisning, må ikke anvende elværktøjet.** Elværktøjer er farlige i hænderne på ukyndige brugere.
- **Vedligehold elværktøj og tilbehør. Kontrollér, om der er forklæret indjusterede eller forbundne bevægelige dele, afbrækkede dele samt andre tilstande, som kan påvirke værktøjets funktionsmåde. Hvis der konstateres skader, skal værktøjet repareres inden brug.** Mange ulykker skyldes dårligt vedligeholdte værktøjer.
- **Hold skæreværktøjer skarpe og rene.** Korrekt vedligeholdte skæreværktøjer med skarpe ægge er mindre tilbøjelige til at sætte sig fast og er nemmere at styre.
- **Brug produktet, tilbehør og bits til værktøj mv. i overensstemmelse med disse anvisninger, idet der tages hensyn til arbejdsbetingelser og arbejdet, der skal udføres.** Brug af elværktøjet i strid med det til tænkte anvendelsesformål kan medføre farlige situationer.
- **Hold håndtag og gribeblader tørre og fri for olie og fedt.** Glatte håndtag og gribeblader muliggør ikke sikker håndtering og styring af værktøjet under ikke forventede situationer.

SERVICE

- **Sørg for, at elværktøjet serviceres af en kvalificeret reparatør, som kun benytter sig af originale reservedele.** Herved garanteres sikkerheden for elproduktet.

SIKKERHEDSADVARSLER OM BÆNKSLIBER

- **Benyt altid sikkerhedsbriller og støvmaske.**
- **Bær høreværn.** Støjpåvirkning kan bevirke tab af hørelse.
- **Dette produkt er ikke egnet til vådslibning.**
- **Brug aldrig en beskadiget tilbehørsdel.** Inden hver brug skal du kontrollere tilbehøret, såsom slibeskiven for småstykker og revner. Efter tilbehøret er undersøgt for skader og monteret, holdes afstand til det roterende tilbehør, mens værktøjet kører et minut på fuld hastighed. Hvis tilbehøret er beskadiget, vil det knække under denne test.
- **Tilbehørets mærkehastighed skal være lig med eller højere end maksimalhastigheden anført på værktøjet.** Hvis tilbehøret anvendes med en hastighed, der er højere end dets mærkehastighed, kan det knække og rive sig løs.
- **Slib aldrig på siderne af et slibeskive.** Slibning på siden kan få skiven til at gå i stykker og flyve fra hinanden.
- **Stikket skal sættes i en passende lysnetkontakt, som er korrekt installeret og jordet iht.** Hvis du ikke er sikker, skal du få en autoriseret elektriker til at kontrollere vekselstrømmen.
- **Monter produktet fast til arbejdsbænken, høvlebænken eller anden fast enhed før betjening.** Et ikke-sikret produkt er ustabil og kan bevæge sig under betjening. Dette kan resultere i skader eller personskader.
- **Tilvejebring passende generel eller målrettet belysning for at forhindre stroboskopiske virkninger og faremomenter.**
- **Brug altid produktet med slibeskiven monteret på begge spindler for at begrænse risikoen for kontakt med de roterende spindler.**
- **Brug altid afskærmninger, arbejdsstøtter, gennemsigtige skærme og gnistfangere efter behov (tilbehør).**
- **Juster altid arbejdsstøtten, så vinklen mellem arbejdsstøtten og berøringsfladen på slibeskiven altid er større end 85°.**
- **Før betjeningen skal du efterse komponenter og alt tilbehør til produktet for at sikre, at der ikke er nogen forhold, der kan påvirke en korrekt betjening.** Stram slibehjulets låsemøtrikker, sikr bolte og alle klemmer og afskærmninger.
- **Før hver opstart efterses slibehjulet for skader.** Anvend ikke beskadigede eller uskarpe hjul. Udskift ethvert beskadiget slibehjul i overensstemmelse med instruktionerne.
- **Kontroller, at hjulet roterer frit før hver opstart.** Efter produktet er trukket ud af stikkontakten, og kontakten er slukket, skal du forsigtigt dreje hjulet med hånden. Hjulet må ikke have kontakt til nogen af bænksliberens komponenter, og der bør ikke være nogen elementer, der går imod hinanden, eller andre forhold, der kunne påvirke korrekt drift.
- **Under hver opstart skal du stå på den ene side af produktet og tænde det.** Lad sliberen køre ved fuld hastighed i et minut, så enhver uopdaget fejl eller revner på hjulet vil kunne afsløres. Lad ikke arbejdsområdet komme i kontakt med hjulet, før produktet har nået fuld hastighed.
- **Hold hænder og kropsdele væk fra slibehjulene.** Kontakt med det roterende hjul kan forårsage personskader.
- **Brug altid afskærmninger og gennemsigtige skærme.** Skærmene skal altid være monteret og i god stand. Hvis produktet betjenes uden afskærmninger eller med beskadigede afskærmninger, kan det resultere i personskader.
- **Undgå forbrændinger.** Slibning kan få emner og



slibehjulet til at blive varm. Rør ikke slibehjulet eller emner, der kan være varme.

- Anvend ikke produktet til at arbejde på små emner eller emner, som ikke kan holdes ordentlig på plads. Emnet kan blive kastet og resultere i personskader.
- Slib aldrig på siden af hjulet. Hjulet vil blive ødelagt. Slib kun på hjulets front.
- Lad aldrig værktøjet køre uden opsyn. Sluk værktøjet. Pas på! Slibeskiven bliver ved med at dreje rundt, efter værktøjet er slukket, på grund af inertien. Efterlad ikke værktøjet, før det er stoppet fuldstændigt.
- Ræk aldrig hen over eller under slibehjulene.
- Brug hørebekyttelse, som f.eks. ørepropper eller høreværn, under forlængende betjeningsperioder.
- Træk stikket ud inden påbegyndelse af indstilling, servicering eller vedligeholdelse. Strømledningen skal forblive trukket ud af stikkontakten, når som helst du vedligeholder dit produkt.
- Justér ofte arbejdsstøtter og gnistfangere for at kompensere for slid på slibeskiverne.
- Juster arbejdsstøtter, når det er nødvendigt, for at holde afstanden mellem arbejdsstøtterne og slibeskiverne så kort som muligt. Denne afstand bør være mindre end eller lig med 2 mm. Da diameteren på slibeskiven bliver mindre ved brug, skal du opretholde den maksimale afstand for arbejdsstøtten ved at justere den.
- Juster gnistfangere, når det er nødvendigt, for at holde afstanden mellem arbejdsstøtter og gnistfangere så kort som muligt. Denne afstand bør være mindre end eller lig med 2 mm. Da diameteren på slibehjulet bliver mindre ved brug, skal du opretholde den maksimale afstand for gnistfangeren ved at justere den.
- Udskift den slidte skive, når afstanden på 2 mm mellem gnistfangeren/arbejdsstøtten og skiven ikke længere kan opretholdes.
- Hvis gnistfangeren eller arbejdsstøtten bliver slidt eller beskadiget, skal du udskifte den med en identisk erstatning fra et autoriseret servicecenter.
- Når du monterer et nyt slibehjul, skal du altid kontrollere, at den angivne maksimale RPM imødekommer eller overgår det, der er angivet på produktet. Sørg for, at hjulets diameter og skafkets størrelse er i overensstemmelse med de angivne specifikationer. Kontroller også det nye hjul for skader, som f.eks. fejl eller revner.

SIKKERHEDSINSTRUKTIONER OM SLIBEHJUL

⚠ ADVARSEL

For at reducere risikoen for personskader skal brugeren læse og overholde instruktioner, advarsler og betjeningsvejledningen, før dette slibehjul tages i brug. Manglende iagttagelse af disse advarsler kan medføre brud på skiven og alvorlig personskade. Gem denne brugsanvisning.

- Anvendelse af ethvert andet hjul end det, der er anbefalet i brugervejledningen, kan udgøre en risiko for personskade. Anvend kun slibehjul, som har markeret den samme eller større hastighed i forhold til den, der er markeret på maskinen.
- Der må aldrig bruges en skive, der er for tyk til, at yderflangen kan gå i indgreb med den flade del af spindlen. Større skiver vil røre ved skiveskærmene, mens tykkere skiver vil forhindre bolten i at låse skiven ordentligt fast til spindlen. Enhver af disse situationer kan medføre alvorlige uheld og kan forårsage alvorlige personskader.
- Dette hjul er til slibning og formning af metal. Forsøg ikke at lave afskæringshandlinger.
- Slibehjulet er kun egnet til tørslibning.
- Undlad at anvende et beskadiget slibehjul, anvend ikke hjul, der er flækkede, revnede eller på anden måde defekte.
- Sørg for at slibehjulet er korrekt tilpasset og strammet før brug.
- Maskinen må aldrig tilsluttes strømforsyningen, mens du installerer eller fjerner slibehjulene.
- Opbevar dine reserveslibehjul omhyggeligt.
 - Kom hjulet i den originale emballage, hvis det er muligt.
 - Opbevar hjulet i et tørt område ved stuetemperatur.
 - Hjul kan opbevares lodret på en hyld.
 - Tillad ikke, at hjulene falder ned eller bliver udsat for stød.

Der er oplysninger tilgængeligt på slibehjulets mærkat

Oplysningerne på slibehjulet er vigtige. Læs, og kontroller dem nøje for at sikre, at du vælger den korrekte type hjul.

1. producent, leverandør, importør eller varemærke
2. Nominelle mål for slibehjulet, særligt borningsdiameter.
3. Slibetype, kornet størrelse, kvalitet eller hårdhed, type af bånd og brug af forstærkning.
4. Maksimal betjeningshastighed i meter per sekund.
5. max tilladt rotationshastighed i 1/min
6. I overensstemmelseserklæringen skal slibeproduktet være mærket med EN 12413.
7. begrænsning af brugsamtsikkerhedsadvarselssymboler
8. sporingskode, fx produktions-/batchnummer, serienummer

Skiven kan behøve udskiftning i enhver af følgende situationer.

1. Hvis slibeskivens overflade slides ujævnt, bliver rillet eller ikke længere er glat og flad.
2. Hvis slibeskivens diameter ikke længere er rund.
3. Hvis skivens overflade bliver dækket af og uskarpt pga. emne-materiale.
4. Hvis der er tegn på skade.
5. Hvis den bliver svær at arbejde med.
6. Hvis arbejdsstøtten/gnistfangeren ikke kan indstilles til ≤ 2 mm afstand fra skivens overflade.
7. Hvis ≤ 1 cm af skiven stikker ud fra flangen. Se tips på



side 147.

UUNDGÅELIGE RISICI

Selv om produktet anvendes som foreskrevet, er det stadig umuligt at eliminere visse uundgåelige risikofaktorer fuldstændigt. Følgende risici kan opstå under brug, og operatøren bør være særligt opmærksom for at undgå følgende:

- Risiko for kontakt med uafskærmede dele fra det roterende hjul.
- Brandulykker fra kontakt med et varmt hjul eller arbejdsemne.
- Skader på åndedrætssystem ved manglende brug af effektiv støvmaske.
- Skader på hørelse ved manglende brug af effektivt høreværn.

KEND PRODUKTET

Se side 141.

1. Gennemsigtig skærm x 2
2. Gnistfanger x 2
3. Hjulskærm x 2
4. Slibeskive x 2
5. Arbejdsstøtte x 2
6. Tænd/Sluk-kontakt
7. Monteringshul x 4
8. Låseknop til arbejdsstøtte x 2

VEDLIGEHOLDELSE

- Undlad at ændre produktet på nogen måde eller bruge tilbehør, som ikke er godkendt af producenten. Det kan gå ud over din og andres sikkerhed.
- Undlad at bruge produktet, hvis kontakter, skærme eller andre funktioner ikke fungerer efter hensigten. Indlevér på autoriseret servicecenter til professionel reparation eller justering.
- Foretag ingen justeringer, mens produktet kører.
- Sørg altid for, at stikket er trukket ud af lysnetkontakten, inden der foretages indstillinger, smøring eller andet arbejde, herunder vedligeholdelse, på produktet.
- Inden og efter hver brug skal produktet kontrolleres for skader eller afbrækkede dele. Hold altid produktet i god stand ved straks at udskifte dele med reservedele, der er godkendt af producenten.
- Fjern ophobet støv med en børste eller støvsuger. Anvend ikke trykluft.
- For bedre sikkerhed og pålidelighed skal alt reparationsarbejde, inkl. udskifning af børster, udføres på et autoriseret servicecenter.
- Hvis den strømførende ledning er beskadiget, skal den skiftes på et autoriseret serviceværksted for at forebygge ulykker og uheld.

⚠ ADVARSEL

Af hensyn til brugersikkerheden og drifts- sikkerheden skal reparationer udføres på et autoriseret RYOBI serviceværksted.

TRANSPORT OG OPBEVARING

- Når produktet stilles til opbevaring, skal man frakoble strømforsyningskablet.
- Rengør produktet med en børste og støvsuger.
- Bær og løft altid produktet i henhold til instruktionerne i denne brugermanual.
- Beskyt produktet mod al kraftig belastning eller kraftige vibrationer, der kan forekomme under transport i køretøjer.
- Fastgør produktet for at forhindre, at det glider eller falder ned.
- Opbevar produktet og dets tilbehør på et tørt, sikkert sted, som ikke er tilgængeligt for børn.
- Vi anbefaler at bruge den originale indpakning til opbevaring for at beskytte produktet mod støv.

MILJØBESKYTTELSE



Råmaterialerne skal genbruges og ikke bortskaffes som almindeligt affald. Af hensyn til miljøet skal redskab, tilbehør og emballage sorteres.

SYMBOLER PÅ PRODUKTET



Sikkerhedsadvarsel



Læs venligst vejledningen omhyggeligt inden start af produktet.



CE-overensstemmelse



EurAsian-overensstemmelsesmærke



Ukrainsk overensstemmelsesmærke

001



Benyt høreværn



Benyt øjenværn



Ikke til vådslibning eller -skæring



Undgå at bruge krakelerede, revnede eller defekte slibesliver



Bær sikkerhedshandsker



Skivens rotationsretning (vises på skivens etiket)



Skivens rotationsretning (vises på skivens afskærmning)



Elektriske affaldsprodukter bør ikke afskaffes sammen med husholdningsaffald. Genbrug venligst hvor faciliteterne tillader dette. Tjek med din lokale kommune eller forhandler for genbrugsråd.

SYMBOLER I BRUGSANVISNINGEN



Tilslut maskinen til lysnetkontakten.



Træk værktøjets stik ud af stikkontakten.



Dele eller tilbehør, der sælges separat

De følgende ikoner og betydninger er beregnet til at forklare risikoen involveret i at anvende denne enhed.

FARE

Indikerer en umiddelbart farlig situation, som - hvis den ikke afværges - vil medføre dødsfald eller alvorlig personskade.

ADVARSEL

Indikerer en potentielt farlig situation, som - hvis den ikke afværges - kan medføre dødsfald eller alvorlig personskade.



Säkerhet, prestanda och pålitlighet har fått högsta prioritet vid utformningen av din bänkslip.

ANVÄNDNINGSGRÄNS

- Denna bänkslip är avsedd för att slipa och forma metall. Produkten kan användas för att slipa handverktyg av metall (t.ex. mejslar, yxor, knivar) och borrar, och för att avlägsna ojämnheter och skarpa kanter.
- Med rätt tillbehör kan produkten användas för rengöring av metallytor med hjälp av en stålborste eller för att glanspolera med en tygskiva.
- Använd aldrig produkten för att kapa.

ALLMÄNNA SÄKERHETSFORESKRIFTER FÖR MASKINVERKTYG

⚠ VARNING

Läs uppmärksamt alla varningar, instruktioner och specifikationer som bifogas med detta verktyg och studera bilderna. Underlåtenhet att respektera dessa föreskrifter kan leda till olyckor som brand, elektriska stötar och/eller allvarliga kroppsskador.

Behåll dessa varningar och anvisningar för framtida referens. Termen "elektriskt verktyg" i varningarna avser ditt nätdrivna elverktyg (med sladd) eller ditt batteridrivna elverktyg (sladdlöst).

ARBETSOMRÅDESSKYDD

- Håll arbetsområdet rent och använd god belysning. Skräpiga och mörka utrymmen inbjuder till olyckor.
- Använd inte motordrivna verktyg i explosiva miljöer, till exempel i närheten av brännbara vätskor, brännbara gaser eller damm. Motordrivna verktyg skapar blixtrar som kan antända damm och ångor.
- Håll barn och åskådare på avstånd när du använder verktyget. Distractioner kan få dig att tappa kontrollen.

ELSÄKERHET

- El-verktygskontakter måste passa i vägguttaget. Gör aldrig ändringar i kontakten på något sätt. Använd inte delningakontakter tillsammans med jordade el-verktyg. Oförändrade kontakter och passande vägguttag reducerar risken för elektrisk chock.
- Undvik kroppskontakt med jordade ytor så som rör, element, spisar och kylskåp. Risken för elektrisk chock ökar om din kropp är jordad.
- Utsätt inte motordrivna verktyg för regn eller blöta omgivning. Vatten som tränger in i ett motordrivet verktyg ökar risken för elektrisk stöt.
- Skada inte sladden. Använd aldrig sladden till att bära med, dra ur eller koppla ur el-verktyget med. Håll strömsladden borta från värme, olja, vassa

kanter och rörliga delar. Trassliga eller skadade sladdar ökar risken för elektrisk chock.

- När du använder ett el-verktyg utomhus måste en förlängningsladd för utomhusbruk användas. Användning av kabel avsedd för utomhusbruk reducerar risken för elektrisk chock.
- Om du inte kan undvika att använda el-verktyget i fuktiga utrymmen, använd en jordfelsbrytare som skydd. En jordfelsbrytare reducerar risken för elektrisk chock.

PERSONSÄKERHET

- Se upp med vad du gör och använd sunt förnuft när du använder verktyget. Använd inte verktyg när du är trött eller påverkad av droger, alkohol eller mediciner. Ett ögonblicks uppmärksamhet vid användning av motordrivna verktyg kan resultera i allvarlig personskada.
- Använd personlig skyddsutrustning. Bär alltid ögonskydd. Skyddsutrustning som en damm mask, halkfria skyddsskor, en hård hjälm, eller hörselskydd som används under lämpliga förhållanden minskar personskador.
- Undvik oavsiktlig start. Försäkra dig om att brytaren står i fränslaget läge innan du ansluter limpistolen till en strömkälla och/eller ett batteri, samt innan du plockar upp eller bär produkten. Att bära elverktyg med fingret på brytaren eller att låta energigivande elverktyg vara igång med brytaren påslagen är att bjuda in till olycksfall.
- Avlägsna inställningsverktyg eller nyckel innan du sätter på el-verktyget. En nyckel eller annat verktyg som sitter kvar på en roterande del i el-verktyget kan orsaka kroppsskada.
- Sträck dig inte. Ha alltid ett bra fotfäste och en god balans. Detta ger bättre kontroll av el-verktyget i oväntade situationer.
- Klä dig korrekt. Bär inte löst åtsittande kläder eller smycken. Håll ditt hår och dina kläder borta från rörliga delar. Löst åtsittande kläder, smycken och långt hår kan fastna i rörliga delar.
- Om enheter tillhandahålls för anslutningen av dammsuget och uppsamlingsanläggningar, säkerställ att dessa är anslutna och används korrekt. Användningen av dammuppsamling kan minska dammrelaterade faror.
- Låt inte den erfarenhet som följer med vana vid verktygsanvändning göra dig oförsiktig och ignorera säkerhetsprinciper för verktygsanvändningen. En slarvig handling kan orsaka allvarlig skada inom en bräddels sekund.

ANVÄNDNING OCH UNDERHÅLL AV MOTORVERKTYG

- Använd inte kraft mot verktyget. Använd rätt produkt för applikationen. Rätt produkt gör arbetet enklare och säkrare i den takt som den är avsedd för.
- Använd inte el-verktyget om det inte startar när



du slår på eller av switchen. Ett el-verktyg som inte kan kontrolleras med switchen är farligt och måste repareras.

- **Ta ut kontakten ur eluttaget och/eller ta bort batteripaketet, ifall avtagbart, från elverktyget innan du gör några justeringar, byter tillbehör eller förvarar elverktyg.** Sådana förebyggande säkerhetsåtgärder minskar risken för att starta produkten oavsiktligt.
- **Förvara oanvända el-verktyg utom räckhåll för barn och låt inte oerfarna människor använda el-verktyget.** El-verktyg är farliga i händerna på oerfarna användare.
- **Underhåll elverktyg och tillbehör. Kontrollera att det inte föreligger någon obalans eller oförmåga för rörliga delar att röra sig, att inga delar är trasiga och att ingenting annat som påverkar användningen av det motordrivna verktyget föreligger. Om maskinen är skadad måste den repareras innan den kan användas.** Många olyckor uppstår på grund av dåligt underhållna verktyg.
- **Håll skärverktyg vassa och rena.** Korrekt underhålla skärverktyg med vassa kanter är mindre benägna att fastna och lättare att kontrollera.
- **Använd produkten, tillbehör och insatsverktyg mm. i enlighet med dessa anvisningar, och anpassat till arbetsförhållandena och det arbete som ska utföras.** Användning av el-verktyget för andra områden än de avsedda kan resultera i en riskfylld situation.
- **Håll handtag och greppytor torra, rena och fria från olja och smörj fett.** Hala handtag och greppytor tillåter inte säker hantering och kontroll av verktyget i oväntade situationer.

SERVICE

- **Se till att ditt el-verktyg får service av en kvalificerad tekniker som bara använder identiska reservdelar.** Detta garanterar en säker användning av det motordrivna verktyget.

SÄKERHETSANVISNINGAR FÖR BÄNKSLIP

- **Bär alltid skyddsglasögon och dammask.**
- **Bär hörselskydd.** Bullerbelastning kan orsaka hörselskador.
- **Produkten är inte lämplig för våtslipning.**
- **Använd inte ett skadat tillbehör. Före varje användning, inspektera tillbehör såsom slipande skivor efter hack eller sprickor. Efter att ha kontrollerat att tillbehöret är i gott skick och efter att ha monterat det, håll dig på avstånd från det rörliga tillbehöret och låt verktyget gå i maximal hastighet under en minut. Om tillbehöret är skadat bryts det av under denna kontroll.**
- **Tillbehörets nominella hastighet ska vara lika med eller högre än den maximala hastighet som anges på verktyget.** Tillbehör som fungerar i en hastighet som är högre än deras nominella hastighet kan brytas av och slungas ut.
- **Slipa aldrig på slipskivans sidor.** Att slipa på sidan kan göra att skivan går sönder eller flyger isär.
- **Stickkontakten måste stoppas in i ett vägguttag där den passar, vägguttaget måste vara korrekt installerat och jordat i enlighet med lokala lagar och bestämmelser.** Om du inte är säker, låt en utbildad elektriker kontrollera uttaget.
- **Montera produkten stadigt på en arbetsbänk, slipställning eller på någon annan styv ram före användning.** En produkt som inte fästs säkert är instabil och kan förflyttas sig under drift. Detta kan leda till skador och olycksfall.
- **Ha tillräckligt med allmän belysning eller punktbelysning så att du slipper stroboskopeffekter och risker.**
- **Använd alltid produkten med slipskivor fästa på båda spindlarna för att minimera risken att komma i kontakt med de roterande spindlarna.**
- **Använd alltid skydden, arbetsstöd, transparenta skärmar och gnistskydd då det krävs för tillbehöret(en).**
- **Justera alltid arbetsstödet så att vinkeln mellan arbetsstödet och slipskivans tangent alltid är större än 85 °.**
- **Före drift, inspektera komponenterna och eventuella tillbehör till produkten för att säkerställa att det inte föreligger omständigheter som påverkar korrekt drift. Dra åt slipskivans låsmuttrar, säkra alla bultar, klämmor och skydd.**
- **Kontrollera slipskivan avseende skador före varje start. Använd inte skadade eller deformerade skivor. Ersätt en skadad slipskiva i enlighet med anvisningarna.**
- **Kontrollera att skivan roterar fritt före varje start. Vrid försiktigt skivan för hand, med produkten fränkopplad från strömkällan och brytaren ställd på OFF. Skivan får inte komma i kontakt med några av bänkslipens komponenter, och det får inte förekomma någon inklämning eller andra omständigheter som kan påverka korrekt drift.**
- **Vid varje start, stå på ena sidan om produkten och ställ brytaren på ON. Låt slipen arbeta med full hastighet under en minut, så att eventuella oupptäckta fel eller sprickor i skivan blir tydliga. Sätt inte arbetsstycket i kontakt med skivan innan produkten har uppnått full hastighet.**
- **Håll händer och kroppsdelar borta från slipskivorna. Att komma åt den roterande skivan kan leda till skador.**
- **Använd alltid skydden och de transparenta skärmarna. Se till att alla skydd sitter på plats och att de är i fungerande skick. Att använda produkten utan skydd eller med skadade skydd kan leda till olycksfall.**
- **Undvik brännskador. Slipning kan hetta upp arbetsstycken och slipskiva. Vidrör inte slipskivan eller arbetsstycken som kan vara varma.**
- **Använd inte produkten för arbete på små föremål eller föremål som inte kan hållas fast ordentligt. Arbetsstycket kan kastas ut och leda till olycksfall.**
- **Slipa aldrig på skivans sida. Skivan kan då brytas**



sönder. Slipa endast på skivans framsida.

- Lämna aldrig ett verktyg som är igång. Slå av verktyget. Lägg märke till att slipskivan fortsätter att rotera en stund efter att verktyget stängts av. Lämna inte verktyget förrän det har stannat helt.
- Stick aldrig in handen bakom eller under slipskivorna.
- Använd hörselskydd, som öronpluggar eller öronmuffar, vid längre driftperioder.
- Koppla bort kontakten innan du utför några justeringar, service eller underhåll. Strömsladden måste kopplas ur närhelst du utför underhåll av din produkt.
- Justera arbetsstöden och gnistskydden ofta för att kompensera för slitage på slipskivorna.
- Justera arbetsstöd vid behov för att hålla avståndet mellan arbetsstöden och slipskivorna så litet som möjligt. Detta avstånd ska vara mindre än eller lika med 2 mm. Allt eftersom slipskivans diameter minskar med användningen, bibehåll arbetsstödet maximala avstånd genom att justera det.
- Justera gnistfångare vid behov för att hålla avståndet mellan gnistfångarna och slipskivorna så små som möjligt. Detta avstånd ska vara mindre än eller lika med 2 mm. Allt eftersom slipskivans diameter minskar med användningen, håll gnistfångarnas maximala avstånd genom att justera detta.
- Byt ut den utslitna skivan när avståndet på 2 mm mellan gnistskyddet/arbetsstödet och den bakre skivan inte längre kan bibehållas.
- Om gnistskyddet eller arbetsstödet blir slitet eller skadat, byt ut det mot en identisk komponent från ett auktoriserat servicecenter.
- Vid montering av en ny slipskiva, kontrollera alltid att det angivna maximala varvtalet motsvarar eller överstiger det som anges på produkten. Säkerställ att skivans och spindelns storlek motsvarar vad som anges i specifikationerna. Kontrollera också den nya skivan avseende skador, som fel eller sprickor.

SÄKERHETSANVISNINGAR FÖR SLIPSKIVA

⚠ VARNING

För att minska risken för olycksfall måste användaren läsa och följa instruktioner, varningar och användarmanual före användning av denna slipskiva. Om inte denna varning hörsammars kan det leda till att skivan går sönder och allvarlig personskada. Spara dessa anvisningar.

- Användning av någon annan slipskiva än vad som rekommenderas i maskinens instruktionsmanual kan utgöra en risk för personsador. Använd endast slipskivor som har en hastighetsmärkning motsvarande eller högre än den som finns angiven på maskinen.
- Använd aldrig en klinga som är så tjock att den yttre flänsen inte kan fästas mot spindeln. Större klingor kommer i kontakt med skyddsanordningen och tjockare

klingor hindrar fästbulten att fästa klingan på spindeln. Dessa situationer kan resultera i en allvarlig olycka och orsaka allvarliga personsador.

- Denna slipskiva är avsedd för att slipa och forma metall. Försök inte att använda den för kapning.
- Denna slipskiva är endast lämplig för torr slipning.
- Använd inte skadade slipskivor, skivor som har hack, sprickor eller andra fel.
- Säkerställ att skipskivan är korrekt monterad och åtdragen före användning.
- Maskinen ska aldrig vara ansluten till strömkällan när du monterar eller avlägsnar slipskivor.
- Förvara din extra slipskiva med omsorg.
 - Förvara om möjligt slipskivan i sin originalförpackning.
 - Förvara skivan i ett torrt utrymme vid rumstemperatur.
 - Slipskivor kan förvaras vertikalt placerade på en hylla.
 - Låt inte skivorna falla ned eller utsättas för stötar.

Information som finns på slipskivans etikett

Informationen på slipskivans etikett är viktig. Läs och kontrollera den noggrant för att försäkra dig om att du väljer rätt typ av slipskiva.

1. tillverkare, leverantör, importör eller varumärke
2. Nominella mått för slipskivan, särskilt håldiametern.
3. Typ av slipmaterial, korntorlek, klass eller hårdhet, typ av bindemedel och användning av förstärkning.
4. Maximal driftshastighet i meter per sekund.
5. max tillåten rotationshastighet per minut
6. För överensstämmelsedeklaration ska slipprodukterna vara märkta med EN 12413.
7. begränsningar för användning och säkerhetssymboler
8. spårbarhetskod, exempelvis produktions-/batchnummer, serienummer

Skivan kan behöva bytas ut vid följande omständigheter:

1. Om slipskivans yta är ojämnt slitet, blir räfflad eller inte längre är slät och platt.
2. Om slipskivans diameter inte längre är rund.
3. Om skivans yta blir belastad och slö p.g.a. ansamling av arbetsstycksmaterial.
4. Om det finns något tecken på skada.
5. Om den börjar bli svår att arbeta med.
6. Om arbetsstödet/gnistskyddet inte kan justeras till ett avstånd på ≤ 2 mm från skivans yta.
7. Om ≤ 1 cm av skivan sticker ut från flänsen. Se tips på sidan 147.

RESIDUALRISK

Även om produkten används enligt instruktionerna går det inte att eliminera alla eventuella riskfaktorer. Följande risker kan uppstå vid användning och operatören ska vara extra uppmärksam för att undvika följande:



- Risk för kontakt med oskyddade delar av den roterande skivan.
- Risk för brännskada genom kontakt med varm skiva eller arbetsstycke.
- Skador på andningsvägarna om inte dammskydd för ansiktet används.
- Skada på hörseln om ett effektivt hörselskydd inte används.

LÄR KÄNNA DIN PRODUKT

Se sidan 141.

1. Transparent skärm x 2
2. Gnistfångare x 2
3. Slipskydd x 2
4. Slipskiva x 2
5. Stöd för arbetsstycke x 2
6. Av/på-knapp
7. Monteringshål x 4
8. Låsknapp för arbetsstyckets stöd x 2

UNDERHÅLL

- Modifiera inte produkten på något sätt och använd inga tillbehör som inte godkänts av tillverkaren. Din och andras säkerhet kan vara i fara.
- Använd inte produkten om brytare, skydd eller andra funktioner inte fungerar som avsett. Lämna den till auktoriserat servicecenter för reparation eller justering.
- Utför inte justeringar medan produkten är i drift.
- Se alltid till att kontakten har tagits ur eluttaget före justeringar, smörjning eller om underhåll ska göras på produkten.
- Före och efter användning ska produkten kontrolleras så det inte finns skadade eller trasiga delar. Håll produkten i gott skick genom att omedelbart ersätta delar med reservdelar som tillhandahålls av tillverkaren.
- Rensa bort damm som ansamlats med en borste eller dammsugare. Använd inte tryckluft.
- För säkerhet och pålitlighet ska alla reparationer, inklusive byte av borstar, utföras av auktoriserat reparationscenter.
- Om nätsladden är skadad skall du låta den bytas ut på en godkänd serviceverkstad, för att undvika risker för olyckor.

⚠ VARNING

Av säkerhetsskäl är det viktigt att alla reparationer utförs på en serviceverkstad som godkänts av RYOBI.

TRANSPORT OCH FÖRVARING

- Strömkabeln ska kopplas ur vid förvaring.
- Rengör produkten med en borste och dammsugare.
- Bär och lyft alltid produkten enligt anvisningarna i

denna användarmanual.

- Skydda produkten från all tung påverkan eller starka vibrationer som kan ske under fordonstransport.
- Säkra produkten för att hindra den från att glida eller välta.
- Förvara produkten och dess tillbehör på en torr, säker plats som är oåtkomlig för barn.
- Vi rekommenderar att du använder originalförpackningen vid förvaring för att skydda produkten mot damm.

MILJÖSKYDD



Råmaterialen ska återvinnas i stället för att kastas i hushållsavfallet. För att skona miljön ska verktyget, tillbehören och emballagen sorteras.

SYMBOLER PÅ PRODUKTEN



Säkerhetsvarning



Läs alla instruktioner noggrant innan du startar produkten.



CE-överensstämmelse



EurAsian överensstämmelsesymbol.



Ukrainskt märke för överensstämmelse



Bär hörselskydd.



Använd skyddsglasögon



Ej avsedd för våtslipning eller kapning.



Använd aldrig hackade, spruckna eller defekta slipskivor



Använd skyddshandskar



Skivans rotationsriktning (visas på skivans etikett)



Skivans rotationsriktning (visas på skivans skydd)



Gamla elektroniska produkter ska inte kastas med hushållssoporna. Återvinn där sådana faciliteter finns. Kontrollera med din lokala myndighet eller säljaren för att få återvinningstips.

SYMBOLER I MANUALEN



Sätt in maskinens stickkontakt i vägguttaget.



Koppla bort verktyget från eluttaget.



Delar och utrustning säljs separat

Följande signalord och betydelser är tänkta att förklara de olika risknivåerna som är associerade med denna produkt.

FARA

Visar på en direkt riskfylld situation som, om den inte undviks, kan orsaka dödsfall eller allvarlig personskada.

VARNING

Visar på en potentiellt riskfylld situation som, om den inte undviks, kan orsaka dödsfall eller allvarlig personskada.

FÖRSIKTIGHET

Visar på en potentiellt riskfylld situation som, om den inte undviks, kan orsaka mindre eller måttlig personskada.

FÖRSIKTIGHET

(Utan säkerhetssymbolen) Indikerar en situation som kan leda till egendomsskada.



Turvallisuus, tehokkuus ja käyttövarmuus ovat penkkihiomakoneemme tärkeimpiä ominaisuuksia.

KÄYTTÖTARKOITUS

- Tämä penkkihiomakone on tarkoitettu metallin hiomiseen ja muotoiluun. Koneella voi teroittaa metallisia käsityökaluja (esim. talttoja, kirveitä, veitsiä) tai poranteriä, ja poistaa valupurseet ja tasoiittaa terävät reunat.
- Asianmukaisilla lisävarusteilla konetta voi käyttää metallipintojen puhdistamiseen teräsharjalla tai hiomiseen ja kiillottamiseen kangaslaikalla.
- Älä koskaan käytä konetta leikkaamiseen.

YLEISET SÄHKÖTYÖKALUJEN TURVALLISUUSVAROITUKSET

⚠ VAROITUS

Lue tarkkaavaisesti kaikki tämän työkalun kanssa toimitetut varoitukset, ohjeet ja spesifikaatiot, ja katso lisäksi kuvat. Seuraavassa esitettyjen ohjeiden laiminlyönnistä saattaa olla seurauksena onnettomuuksia kuten tulipalot, sähköiskut ja/tai vakavia kehon vammoja.

Säästä kaikki varoitukset ja ohjeet tulevaa käyttöä varten. Varoituksissa oleva termi "sähkötyökalu" viittaa verkkokäyttöiseen (johdollisiin) sähkötyökaluun tai akkukäyttöiseen (johdottomaan) sähkötyökaluun.

TYÖALUEEN TURVALLISUUS

- Pidä työalue siistinä ja valoosana. Epäjärjestyksessä olevat ja pimeät alueet myötävaikuttavat onnettomuuksiin.
- Älä käytä sähkötyökalua räjähdyksalttiissa paikoissa, kuten helposti syttyvien nesteiden tai kaasujen tai pölyn läheisyydessä. Sähkötyökalut kipinöivät, mikä saattaa sytyttää pölyn tai höyryt.
- Pidä lapset ja sivulliset loitolla, kun käytät sähkötyökaluja. Häiriöt voivat saada koneen riistäytymään hallinnasta.

SÄHKÖTURVALLISUUS

- Pistokkeen on sovittava pistorasiaan. Älä koskaan muunna pistoketta millään tavalla. Älä käytä maadoitettujen sähkötyökalujen kanssa minkäänlaisia sovitinpistokkeita. Alkuperäiset pistokkeet ja niitä vastaavat pistorasiat pienentävät sähköiskun vaaraa.
- Älä kosketa maadoitettuihin pintoihin, kuten putkiin, lämpöpattereihin, helioihin tai jääkaappeihin. Jos ruumiisi on maadoitettu, sähköiskun vaara on suurempi.
- Älä altista sähkötyökalua sateelle tai kosteudelle. Sähkötyökaluun joutunut vesi kasvattaa sähköiskun vaaraa.

- Pidä huolta sähköjohdosta. Älä koskaan kannata tai vedä sähkötyökalua johdosta tai irrota pistoketta johdosta vetämällä. Älä päästä johtoa koskettamaan kuumuuden lähteitä, öljyä, teräviä reunoja tai liikkuvia osia. Vioittunut tai takkuinen johto lisää sähköiskun vaaraa.
- Kun käytät sähkötyökalua ulkotiloissa, käytä ulkokäyttöön sopivaa jatkojohtoa. Ulkokäyttöön sopivan johdon käyttö pienentää sähköiskun vaaraa.
- Jos sähkötyökalua on pakko käyttää kosteissa tiloissa, käytä jäännösvirtalaitteella (RCD) suojattua pistorasiaa. RCD:n käyttö pienentää sähköiskun vaaraa.

KÄYTTÄJÄN TURVALLISUUS

- Ole valpas, katso mitä teet ja käytä maalaisjärkeä laitetta käyttäessäsi. Älä käytä laitetta väsyneenä tai huumeiden, alkoholin tai lääkkeiden vaikutuksen alaisena. Tarkkaamattomuus sähkötyökalua käytettäessä saattaa johtaa vakavaan loukkaantumiseen.
- Käytä henkilökohtaisia suojavarusteita. Käytä aina suojalaseja. Suojavälineiden, kuten hengityssuojaimen, liukumattomien turvakengien, kypärän ja kuulosuojainten, käyttö vähentää henkilövahinkoja.
- Älä anna koneen käynnistyä vahingossa. Varmista, että kytkin on off-asennossa ennen kuin liität tuotteen sähköverkkoon ja/tai akkuun, nostat tai kuljetat sitä. Jos kannat koneen työkalua sormi kytkimellä tai jos kytket sähkötyökalun verkkoon kytkimen ollessa päällä, altistat itsesi onnettomuuksille.
- Irrota säätöavaimet ja jakoavaimet ennen sähkötyökalun käynnistystä. Sähkötyökalun pyöriivään osaan jätetty jako- tai säätöavain saattaa johtaa loukkaantumiseen.
- Älä kurkota liian kauas. Säilytä aina kunnollinen jalansija ja tasapaino. Tällöin sähkötyökalua on helpompi hallita odottamattomissa tilanteissa.
- Pukeudu asianmukaisesti. Älä käytä väljiä vaatteita tai koruja. Estä hiusten tai vaatteiden takertuminen liikkuviin osiin. Löysät vaatteet, korut ja pitkät hiukset saattavat tarttua liikkuviin osiin.
- Jos laitteen toimitukseen kuului varustus pölyn poistamiseen tai keräämiseen, varmista, että se on sahaan liitettyä ja toimii oikein. Pölyn kerääminen voi vähentää pölyn liittyviä vaaroja.
- Älä ole huolimaton ja laiminlyö turvaohjeita vain siksi, että olet käyttänyt usein ennenkin koneen työkaluja. Huolimattomuus voi aiheuttaa vakavan vamman sekunnin murto-osassa.

SÄHKÖTYÖKALUN KÄYTTÖ JA HUOLTO

- Älä pakota laitetta. Käytä sovellukseesi sopiva a tuotetta. Asianmukainen tuote hoitaa työt paremmin ja turvallisemmin sillä vauhilla, jota varten se on suunniteltu.



- **Älä käytä sähkötyökäluä, jos se ei käynnisty ja sammuu katkaisimesta.** Jos sähkötyökäluä ei voida hallita katkaisimella, se on vaarallinen ja vaatii korjaamista.
- **Irrota kosketin virtalähteestä ja/tai akkupaketti konetyökäluästä aina ennen säätämistä, lisävarusteiden vaihtamista tai työkalun varastoinnista.** Tällaiset ennaltaehkäisevät turvallisuustoimenpiteet vähentävät vaaraa, että tuote käynnistyy vahingossa.
- **Varastoi sähkötyökäluä pois lasten ulottuvilta äläkä anna kenenkään, joka ei tunne työkonetta tai näitä ohjeita, käyttää sitä.** Sähkötyökäluä ovat vaarallisia kouluttamattomien käyttäjien käsissä.
- **Pidä konetyökäluä lisävarusteineen hyvässä kunnossa.** Tarkista, että liikkuvat osat on kohdistettu oikein ja että ne liikkuvat kunnolla, että osia ei ole rikkoutunut ja että mikään muu seikka ei häiritse laitteen toimintaa. Jos laite on vioittunut, vie se huoltoon ennen sen käyttöä. Monet onnettomuudet johtuvat huonosti huolletuista tuotteista.
- **Pidä leikkuuterät terävinä ja puhtaina.** Kun katkaisutyökäluäjen terät ovat terävät, ne eivät jumitu ja ohjaaminen on vaivatonta.
- **Käytä tuotetta, tarvikkeita, osia jne. näiden ohjeiden mukaisesti ja ottaen huomioon työskentelyolosuhteet ja tehtävä työ.** Sähkötyökäluä käyttö muuhun kuin sille tarkoitettuun työhön voi aiheuttaa vaarallisia tilanteita.
- **Pidä kahvat ja tarttumispinnat kuivina ja puhtaina ja katso, etteivät ne tahriinnu öljystä ja rasvasta.** Jos kahvat ja tarttumispinnat ovat liukkaita, työkalujen turvallinen käsittely ja kontrolli eivät ole hallinnassa yllätyksissä tilanteissa.

HUOLTO

- **Huollata työkonetta pätevällä huoltomiehellä, joka käyttää ainoastaan asianmukaisia varaosia.** Tämä varmistaa, että sähkötyökäluä on turvallinen.

PENKKIHIOMAKONEEN TURVALLISUUSVAROITUKSET

- Käytä aina suojalaseja ja pölynaamaria.
- Käytä korvasuojia. Altistuminen melulle voi vahingoittaa kuuloa.
- Tämä tuote ei sovellu märkähiontaan.
- Älä käytä vioittuneita lisävarusteita. Tarkista ennen jokaista käyttöä lisävarusteet, kuten hiomalaikat, säröjen ja halkeamien varalta. Kun olet todennut lisävarusteiden hyvän kunnan ja kun olet asentanut sen, pysy loitolla liikkuvasta lisävarusteesta sallien työkalun saavuttaa maksiminopeuden minuutin aikana. Jos lisävaruste on viallinen, se särkyy tämän kokeen aikana.
- Lisävarusteiden nimellinopeuden on oltava sama tai korkeampi kuin lisävarusteelle mainittu

maksiminopeus. Yli nimellinopeudella käytetyt lisävarusteet saattavat rikkoutua ja joutuvat hylätyiksi.

- **Älä koskaan hio aikaa syrjällä.** Syrjällä hiomisen seurauksena aika voi mennä säröille ja pirstoutua.
- Pistoke on kytkettävä sitä vastaavaan pistorasiaan, joka on asennettu asianmukaisesti ja maadoitettu kaikkien paikallisten koodien ja säädösten mukaisesti. Jos et ole varma, pyydä sähköasentajaa tarkistamaan runkoliitin.
- Asenna kone ennen käytön aloittamista lujasti työpenkkiin tai muuhun tukevaan alustaan. Suojaamaton kone on epävaka ja voi liikkua käytön aikana. Siitä voi olla seurauksena koneen vahingoittuminen tai henkilövahinko.
- Järjestä riittävä yleis- tai kohdevalaistus, joka ei aiheuta stroboskooppi-ilmiötä eikä vaaroja.
- Laikkojen on oltava kiinnitettyinä molempiin karoihin, siten riski kosketuksesta pyöriiviin karoihin pienenee.
- Käytä aina vaatimukset täyttäviä suojaimia, työtukia, läpinäkyviä kipinäsuojuksia ja kipinäestimiä.
- Säädä työtuki aina siten, että kulma työtuen ja aikaa tangentin välissä on aina suurempi kuin 85°.
- Tarkista ennen käyttöä koneen kaikki osat ja lisävarusteet varmistuaksesi, että mikään ei häiritse koneen moitteetonta toimintaa. Kiristä hiomalaikan lukitusmutterit, turvapultit sekä kaikki kiinnittimet ja suojalaitteet.
- Tarkista aina ennen käynnistystä, että hiomalaikka on moitteettomassa kunnossa. Älä käytä vääntyneitä tai muulla tapaa vioittunutta laikkaa. Vaihda vioittunut hiomalaikka ohjeiden mukaisesti.
- Tarkista aina ennen käyttöä, että laikka pyörii esteettä. Kytke kone irti virtalähteestä, käännä katkaisija OFF-asentoon ja pyöritä sitten laikkaa varovasti kädellä. Laikka ei saa koskettaa mitään penkkihiomakoneen osaa eikä mikään muukaan seikka saa häiritä koneen moitteetonta toimintaa.
- Aina kun käynnistät koneen, seisoo sen sivulla ja paina ON-kytkintä. Anna hiomakoneen käydä täydellä nopeudella minuutin ajan, jotta aikaa mahdollinen huomaamatta jäänyt viallisuus käy ilmi. Älä aloita työkappaleen työstämistä ennen kuin kone on saavuttanut täyden nopeutensa.
- Pidä kädet ja muut kehonosat loitolla hiomalaikasta. Kosketus pyöriivään laikkaan voi aiheuttaa henkilövamman.
- Käytä aina suojaimia ja läpinäkyviä kipinäsuojuksia. Pidä suojat paikoillaan ja kunnossa. Koneen käyttö ilman suojalaitteita tai viallisilla suojalaitteilla saattaa johtaa henkilövammaan.
- Vältä palovammoja. Hionta voi lennättää irtonaista materiaalia ja hiomalaikka voi kuumentua. Älä koske hiomalaikkaan tai hiottavaan työkappaleeseen, sillä ne voivat olla kuumia.
- Älä työstä koneella pieniä työkappaleita tai kappaleita, joista ei voi kunnolla pitää kiinni. Hiottava työkappale



voi vinkoutua ja aiheuttaa henkilövahingon.

- Älä koskaan hio laikan syrjällä. Laikkaan saattaa tulla murtumia. Hio ainoastaan laikan etuosalla.
- Älä koskaan jätä käynnissä olevaa laitetta vartioimatta. Sammuta laite. Hiomalaikka jatkaa pyörimistä inertian avulla työkalun sammutuksen jälkeen. Älä jätä laitetta yksin, ennen kuin se on pysähtynyt täysin.
- Älä koskaan siirry hiomalaikkojen taakse tai alapuolelle.
- Käytä kuulosuojaimia, kuten korvatulppia tai kupusuojaimia, jos työ on erittäin pitkäkestoinen.
- Irrota pistoke ennen säätöjä, huoltoa ja ylläpitoa. Virtajohdon on oltava poiskytkettyä virtalähteestä aina kun koneeseen tehdään huoltotoimenpiteitä.
- Säädä työtuet ja kipinäestimet usein laikan kulumisen kompensoimiseksi.
- Säädä työtuet tarvittaessa siten, että työtukien ja laikan keskinäinen etäisyys on mahdollisimman pieni. Etäisyyden tulee olla 2 mm tai pienempi. Työtuen etäisyyttä on säädettävä aika ajoin, koska laikan läpimitta pienenee ajan oloon kulumisen seurauksena.
- Säädä kipinälevy tarvittaessa siten, että kipinälevyn ja hiomalaikan keskinäinen etäisyys on mahdollisimman pieni. Etäisyyden tulee olla 2 mm tai pienempi. Kipinälevyn etäisyyttä on säädettävä aika ajoin, koska hiomalaikan läpimitta pienenee ajan oloon kulumisen seurauksena.
- Vaihda kulunut laikka, kun kipinäestimen/työtuen ja laikan välillä ei enää voi ylläpitää 2 mm:n etäisyyttä.
- Jos kipinäestinin tai työtuki kuluu tai vahingoittuu, hanki tilalle täysin samanlainen valtuutetusta huoltoilikkeestä
- Kun kiinnität uuden hiomalaikan, tarkista aina, että siihen merkitty maksimikierto nopeus (RPM) on koneeseen merkityn mukainen tai suurempi. Varmista, että laikan läpimitta ja tuurnan koko ovat eritelmissä mainitun mukaiset. Tarkista myös uusi laikka vikojen varalta.

HIOMALAIKAN TURVALLISUUSVAROITUKSET

⚠ VAROITUS

Henkilövahingon välttämiseksi käyttäjän tulee ennen hiomalaikan käytön aloittamista lukea ohjeet, varoitukset ja käyttäjän opas huolellisesti ja noudattaa annettuja ohjeita. Näiden varoitusten laiminlyönti voi johtaa laikan rikkoutumiseen ja vakavaan loukkaantumiseen. Säilytä nämä ohjeet.

- Muun kuin koneen käyttöoppaassa suositellun laikan käyttäminen saattaa johtaa henkilövahinkoon. Käytä ainoastaan hiomalaikkoja, joihin merkitty nopeus on sama tai suurempi kuin koneeseen merkitty.
- Älä koskaan käytä laikkaa, joka on niin paksu, että ulkoiappa ei kosketa karan tasaista osaa. Suuremmat laikat koskettavat laikansuojuksia ja paksimmat laikat estävät pulttia kiinnistämästä laikkaa karaan.

Kummassakin tapauksessa seuraus voi olla vakava onnettomuus ja vakava loukkaantuminen.

- Tämä laikka on tarkoitettu metallin hiontaan ja muotoiluun. Älä yritä tehdä katkaisuja.
- Tämä hiomalaikka sopii ainoastaan kuivahiontaan.
- Älä käytä kolhiintuneita, halkeilleita tai muulla tavoin viallisia hiomalaikkoja.
- Varmista ennen käyttöä, että hiomalaikka on kiinnitetty oikein ja kiristetty tiukkaan.
- Kone ei koskaan saa olla kytkettyä virtalähteeseen silloin kun hiomalaikkoja asennetaan tai irrotetaan.
- Säilytä varalla olevia hiomalaikkoja huolellisesti.
 - Jos mahdollista, säilytä laikkaa alkuperäispakkauksessaan.
 - Säilytä laikkaa kuivassa paikassa huoneenlämmössä.
 - Laikkoja voi säilyttää hyllyssä pystyasennossa.
 - Estä laikkoja putoamasta tai kolhiintumasta.

Hiomalaikan tuotetarratioto

Hiomalaikan tuotetarratioto on tärkeää. Lue ja tarkista tieto huolellisesti, jotta valitset varmasti oikeantyyppisen laikan.

1. valmistaja, toimittaja, maahantuoja tai tavaramerkki
2. Hiomalaikan nimellimitat, erityisesti reiän halkaisija.
3. Hiontatyyppi, karheus, kovuus, sideaineen tyyppi ja lujitteen käyttö.
4. Maksimikäyttönopeus metreinä per sekunti.
5. suurin sallittu pyörimisnopeus 1/min
6. Hiontaan tarkoitettujen tuotteiden vaatimustenmukaisuusvakuutuksessa on oltava merkintä EN 12413.
7. käyttörajoitukset ja turvallisuusvaroitusten symbolit
8. jäljityskoodi, esim. tuotanto/eränumero, sarjanumero

Laikka voidaan joutua vaihtamaan missä tahansa seuraavista tilanteista.

1. Jos laikan pinta on kulunut epätasaisesti, siihen tulee uria tai se ei enää ole sileä ja litteä.
2. Jos laikka ei enää ole pyöreä.
3. Jos työstettävät materiaalit ovat kuormittaneet ja tylsistyneet laikan pinnan.
4. Jos on merkkejä vaurioista.
5. Jos työskentely laikalla vaikeutuu.
6. Jos työtukea/kipinäestintä ei enää voida säätää ≤ 2 mm:n etäisyydelle laikan pinnasta.
7. Jos laikasta ulkonee ≤ 1 cm levyä. Katso vinkkejä sivulta 147.

KÄYTÖN RISKIT

Vaikka tuotetta käytettäisiin ohjeiden mukaisesti, ei ole mahdollista täysin eliminoida tiettyjä käyttöön liittyviä riskitekijöitä. Käytössä voi aiheutua seuraavia vaaroja, ja käyttäjän tulee kiinnittää erityistä huomiota niiden välttämiseen:

- Pyörivän laikan suojaamattomien osien kanssa kosketuksiin joutumiseen liittyvä onnettomuusriski.



- Kuumentuneeseen laikkaan tai työkappaleeseen koskeminen voi aiheuttaa palovamman.
- Hengitystiehyeauriot, jos ei käytetä tehokasta pölysuojainta.
- Kuulovamma, jos ei käytetä tehokkaita kuulosuojaimia.

TUNNE TUOTTEESI

Katso sivu 141.

1. Läpinäkyvä kipinäsuojus x 2
2. Kipinälevy x 2
3. Laikansuojus x 2
4. Tasoitushiomalaikka x 2
5. Työtuki x 2
6. Käynnistys/sammutuskytkin
7. Asennusreikä x 4
8. Työtuen lukitusnappi x 2

HUOLTO

- Älä muuntele tuotetta millään tavoin tai käytä muita kuin valmistajan hyväksymiä lisävarusteita. Sinun ja muiden turvallisuus saattaa vaarantua.
- Älä käytä tuotetta, jos jokin kytkin, suojus tai muu toiminto ei toimi tarkoitetulla tavalla. Palauta se valtuutettuun huoltoon ammattilaisen korjattavaksi tai säädettäväksi.
- Älä tee mitään säätöjä koneen käydessä.
- Varmista aina, että pistoke on irrotettu pistorasiasta, ennen kuin teet säätöjä, voitelet tuotetta tai suoritat sen huoltoa.
- Tarkista tuote vaurioiden ja rikkoutuneiden osien varalta ennen jokaista käyttökertaa ja niiden jälkeen. Pidä tuote huippukunnossa vaihtamalla osat välittömästi valmistajan hyväksymiin varaosiin.
- Siivoa kerääntynyt pöly harjalla tai pölynimurilla. Älä käytä paineilmaa.
- Jotta laite toimisi turvallisesti ja luotettavasti, kaikki korjaukset, mukaan lukien harjojen vaihto, tulee antaa valtuutetun huoltopisteen hoidettavaksi.
- Jos liitäntäjohto on vaurioitunut, anna valtuutetun huoltoliikkeen vaihtaa se onnettomuuksien ehkäisemiseksi.

VAROITUS

Lisäturvallisuuden ja luotettavuuden takaamiseksi kaikki korjaustyöt on annettava valtuutetun RYOBI-huoltokeskuksen tehtäväksi.

KULJETUS JA SÄILYTYS

- Kun varastoit tuotteen, irrota virtajohto.
- Käytä koneen puhdistamiseen harjaa ja pölynimuria.
- Kuljeta ja nosta tuotetta aina tämän käyttöoppaan ohjeiden mukaisesti.

- Suojaa kone kuljetuksen ajaksi voimakkailta iskulta tai voimakkaalta tärinältä.
- Kiinnitä kone paikalleen, jotta se ei liu'u eikä kaadu.
- Säilytä konetta ja sen lisävarusteita kuivassa, turvallisessa paikassa, johon lapset eivät pääse.
- Suosittelemme koneen säilyttämistä alkuperäispakkauksessaan, jossa se on suojassa pölyltä.

YMPÄRISTÖNSUOJELU



Älä hävitä raaka-aineita jätteinä vaan vie ne kierrätykseen. Ympäristönsuojelun kannalta työkalu, lisäva r usteet ja pakkausmateriaali on lajiteltava.

TUOTTEESSA OLEVAT SYMBOLIT



Turvallisuusvaroitus



Lue ohjeet huolella ennen laitteen käyttöä.



Todistus CE-sääntöjen noudattamisesta



EurAsian-vaatimustenmukaisuusmerkki.



Ukrainalainen säädöstenmukaisuusmerkintä

001



Käytä kuulosuojaimia



Käytä suojalaseja



Märkähionta tai leikkuu ei ole sallittu



Älä käytä lohkeilleita, haljenneita tai viallisia hiomalaikkoja



Käytä suojakäsineitä



Laikan pyörimissuunta (näky laikan etiketissä)



Laikan pyörimissuunta (näky laikan suojuksessa)



Käytöstä poistettavia sähkölaitteita ei pidä hävittää talusjätteiden mukana. Ne on mahdollisuuksien mukaan pantava kiertoon. Kierrätysohjeita antavat kunnan viranomaiset ja vähittäiskauppiat.

KÄSIKIRJAN SYMBOLIT



Kytke laitteen pistoke pistorasiaan.



Irrota laite sähköverkosta.



Osat ja lisävarusteet on hankittava erikseen

Seuraavat signaalisanat ja merkitykset on tarkoitettu selittämään tähän tuotteeseen liittyviä riskin tasoja.

VAARA

Ilmoittaa välittömästä vaaratilanteesta, joka saattaa aiheuttaa kuoleman tai vakavan vamman.

VAROITUS

Ilmoittaa mahdollisesta vaaratilanteesta, joka saattaa aiheuttaa kuoleman tai vakavan vamman.

VAROITUS

Ilmoittaa mahdollisesta vaaratilanteesta, joka saattaa aiheuttaa pienen tai kohtalaisen vamman.

VAROITUS

(Ilman varoitusmerkkiä) Tilanne, joka voi aiheuttaa materiaalista vahinkoa.



Sikkerhet, ytelse og pålitelighet hadde topp prioritet under utformingen av denne benkesliperen.

TILTENKT BRUK

- Denne benkesliperen er beregnet på å slippe og forme metall. Produktet kan brukes til å slippe håndverktøy av metall (f.eks. meisler, økser og kniver) og bor samt å fjerne hakk og skarpe kanter.
- Med riktig tilbehør kan produktet brukes til å rengjøre metallflater med en vaierbørste eller polere dem med et stoffhjul.
- Bruk aldri produktet til å dele/skjære opp ting.

GENERELLE SIKKERHETSADVARSLER FOR ELEKTRISK VERKTØY

⚠ ADVARSEL

Les nøye gjennom alle advarslene, instruksene og spesifikasjonene som følger med verktøyet, og se på tegningene. Hvis forskriftene nedenfor ikke overholdes, kan det forårsake ulykker som brann, elektrisk støt og/eller alvorlige personskader.

Ta vare på alle advarsler og anvisninger for senere bruk. Betegnelsen "elektroverktøy" i advarslene refererer til strømledningsdrevet elektroverktøy eller batteridrevet (trådløs) elektroverktøy.

SIKKERHET PÅ ARBEIDSMRÅDET

- Hold arbeidsområdet rent, ryddig og godt opplyst. Uryddige og dårlig opplyste områder fører lett til ulykker.
- Ikke bruk elektrisk verktøy i eksplosive atmosfærer, hvor det finnes brennbare væsker, gasser eller støv. Elektrisk verktøy skaper gnister som kan antenne støv eller gasser.
- Hold barn og andre på avstand når et elektrisk verktøy brukes. Distrasjon kan føre til tap av kontroll.

ELEKTRISK SIKKERHET

- Støpslet på det elektriske verktøyet må stemme med stikkkontakten. Foreta aldri noen form for endringer av støpslet. Ikke bruk noen form for adapterstøpsel til jordet elektrisk verktøy. Umodifiserte støpsler og tilpassede stikkontakter vil redusere risikoen for elektrisk støt.
- Unngå kroppskontakt med jordede overflater som vannrør, radiatorer, kokeapparater og kjøleaggregater. Det er økt risiko for elektrisk støt dersom kroppen din har kontakt med jord.
- Ikke utsett elektrisk verktøy for regn eller høy fuktighet. Vann som trenger inn i et elektrisk verktøy vil øke faren for elektrisk støt.
- Ikke misbruk den elektriske ledningen. Bruk aldri ledningen til å bære det elektriske verktøyet eller trekke støpslet ut av stikkkontakten. Hold ledningen

vekke fra varme, olje, skarpe kanter eller bevegelige deler. Skadet eller sammenfloknet ledning øker risikoen for elektrisk støt.

- Når du bruker det elektriske verktøyet utendørs, bruk en skjoteledning som er tilpasset utendørs bruk. Bruk av ledning som er tilpasset utendørs bruk reduserer risikoen for elektrisk støt.
- Dersom bruk av elektrisk verktøy i fuktige omgivelser ikke er til å unngå, bruk en strømkrets med restspenningsbeskyttelse (RCD) som er tilpasset verktøyet. Bruk av strømkrets med sikring reduserer risikoen for elektrisk støt.

PERSONLIG SIKKERHET

- Vær årvåken, følg med på det du gjør og bruk fornuft når du benytter et verktøy. Ikke bruk verktøyet når du er sliten eller under påvirkning av alkohol, narkotiske stoffer eller medisiner som kan påvirke din reaksjonsevne og/eller dømmekraft. Et øyeblikks uoppmerksomhet mens elektrisk eller luftdrevet verktøy brukes kan føre til alvorlige personskader.
 - Bruk Personlig verneutstyr. Bruk alltid øyebeskyttelse. Verneutstyr som støvmaske, sklisikre vernesko, hjelm og hørselsvern som brukes ved behov, vil redusere personskader.
 - Unngå utilsiktet start. Pass på at limpistolen er slått av før du kobler den til en strømkilde eller en batteripakke, tar den opp eller bærer den. Ikke bær elektroverktøy med fingeren på bryteren eller mens verktøyet er slått på, da dette kan føre til ulykke.
 - Fjern justeringsnøkler og annet verktøy før du setter strøm på det elektriske verktøyet. En fastnøkkel eller annet verktøy festet til en roterende del av et elektrisk verktøy når det startes kan føre til personskade.
 - Ikke len deg for langt frem. Sørg for godt fotfeste og god balanse til enhver tid. Dette gir bedre kontroll over det elektriske verktøyet i en uventet situasjon.
 - Kle deg riktig. Ikke bruk løstsittende plagg og/eller løsthengende smykker. Hold hår og klær unna bevegelige deler. Løse plagg, smykker og langt hår kan fanges opp av bevegelige deler.
 - Hvis utstyr gir mulighet for tilkobling av uttrekk og oppsamling av støv, må du forsikre deg om at de er tilkoblet og riktig brukt. Bruk av utstyr for oppsamling av støv kan redusere faren for støv.
 - Ikke la hyppig bruk av verktøyet føre til at du blir uvøren og ikke tar hensyn til sikkerhetsprinsipper. En uforsiktig handling kan forårsake alvorlig skade på et øyeblikk.
- ### ELEKTRISK VERKTØY - BRUK OG STELL
- Ikke press verktøyet. Bruk korrekt verktøy for jobben som skal gjøres. Riktig elektrisk verktøy vil gjøre jobben bedre og tryggere når det brukes slik det var tiltent.
 - Ikke bruk verktøyet hvis bryteren ikke slår verktøyet av og på. Ethvert elektrisk verktøy som ikke kan



kontrolleres med bryteren er farlig og må repareres før det kan brukes.

- **Før du gjør justeringer på elektroverktøy, bytter tilbehør eller setter verktøyet bort, må du trekke pluggen ut av strømkilden eller fjerne batteriet hvis dette lar seg gjøre.** Slike forholdsregler reduserer risikoen for å starte limpistolen ved et uhell.
- **Oppbevar elektrisk verktøyet som ikke brukes utenfor barns rekkevidde og la ikke personer som ikke er kjent med det elektriske verktøyet eller dets instruksjoner bruke det.** Elektrisk verktøy er farlig i hendene på uerfarne brukere.
- **Sørg for at elektroverktøy og tilbehør alltid er i god stand.** Kontroller for feilinnretting, at bevegelige deler løper fritt og andre forhold som kan påvirke verktøyets drift. Dersom det er skadet må produktet repareres før bruk. Mange ulykker skyldes dårlig vedlikeholdt verktøy.
- **Sørg for at skjæreverktøy alltid er skarpe og rene.** Sørg for at eggene på skjæreverktøy alltid er skarpe. Dette gir mindre risiko for at verktøyet sette seg fast, og gjør det lettere å styre verktøyet.
- **Bruk limpistolen, tilbehør, verktøybits osv. i samsvar med disse anvisningene, og ta hensyn til arbeidsforholdene og arbeidet som skal utføres.** Bruk av elektrisk verktøy på en måte det ikke var tiltenkt kan skape farlige situasjoner.
- **Hold håndtakene og gripeflatene tørre, rene og fri for olje og fett.** Hvis håndtakene og gripeflatene er glatte, fører det til mindre sikker håndtering og styring av verktøyet i uventede situasjoner.

SERVICE

- **Sørg for at reparasjoner og vedlikehold av ditt elektriske verktøy utføres av kvalifiserte teknikere som kun bruker originale reservedeler.** Dette vil sørge for at sikkerheten med verktøyet ivaretas.

SIKKERHETSADVARSLER FOR BENKESLIPER

- **Bruk alltid vernebriller og støvmaske.**
 - **Bruk hørselsvern. Støy kan føre til tap av hørselen.**
 - **Dette produktet egner seg ikke til våt sliping.**
 - **Bruk ikke et skadet tilbehør. Før hver bruk må du inspisere tilbehør slik som slipeskiver for avskaling og sprekker. Etter at du har kontrollert at tilbehøret er i god stand og installert det, skal du holde deg på avstand fra det bevegelige tilbehøret og la verktøyet komme opp i maksimal hastighet i ett minutt.** Hvis tilbehøret er skadet, vil det brytes under denne testen.
 - **Tilbehørets nominelle hastighet skal være lik eller høyere enn maksimalhastigheten som står på verktøyet.** Tilbehørene som brukes i høyere hastighet enn sin nominelle hastighet kan brytes og slynges ut.
 - **Slip aldri på sidene av et slipeskiven.** Sliping på siden kan få skiven til å ødelegges og slynges ut i småbiter.
 - **Støpslet må være forbundet til en kontakt som er**
- korrekt installert og jordet i henhold til alle lokale regler og forskrifter. Hvis du ikke er sikker, må du få en elektriker til å sjekke etuiet.
- **Monter produktet fast til arbeidsbenken, slipestativet eller en annen stiv ramme før bruk.** Et usikret produkt er ustabil og kan bevege seg under bruk. Dette kan føre til skader på personer og eiendom.
 - **Sørg for riktig lys både i taket og over arbeidsområde for å hindre stroboskopeffekt og farer.**
 - **Bruk alltid produktet med slipehjul festet på begge spindler for å begrense risikoen for kontakt med rotasjonsspindlene.**
 - **Bruk alltid verneinnretninger, arbeidsstøtter, transparente skjermer og gnistfangere etter behov for tilbehør.**
 - **Juster alltid arbeidsstøtten, slik at vinkelen mellom arbeidsstøtten og tangenten til slipeskiven alltid er større enn 85°.**
 - **Før bruk må du inspisere komponentene og tilbehøret til produktet for å kontrollere at det ikke finnes problemer som kan påvirke bruken negativt.** Stram låsemutterne for slipehjulet, fest boltene og alle klemmer og deksler.
 - **Inspiser slipehjulet og se etter skader hver gang før det startes.** Bruk ikke skadde eller misformede slipehjul. Bytt ut skadde slipehjul i henhold til instruksjonene.
 - **Kontroller at slipehjulet kan rotere fritt hver gang før det startes.** Trekk ut stikkkontakten, sett bryteren til OFF (AV) og drei så forsiktig på slipehjulet med hånden. Slipehjulet må ikke komme i kontakt med komponentene til benkesliperen, det skal ikke henge seg opp og det skal ikke finnes andre forhold som kan påvirke bruken negativt.
 - **Hver gang produktet startes skal du stå på den ene siden av produktet når du slår det på.** La slipehjulet spinne på full hastighet i ett minutt, slik at eventuelle skjulte feil eller sprekker i slipehjulet vil avdekkes. Berør ikke slipehjulet med arbeidsstykket før produktet har nådd full hastighet.
 - **Hold hender og andre kroppsdeler unna slipehjulene.** Kontakt med de roterende slipehjulene kan føre til skader.
 - **Bruk alltid verneinnretninger og transparente skjermer.** Hold deksler på plass og i god stand. Bruk av produktet uten sikkerhetsdeksler eller med skadde sikkerhetsdeksler kan føre til skader.
 - **Unngå brannskader.** Sliping kan føre til at gjenstander og slipehjul blir varmt. Berør ikke slipehjulet eller andre gjenstander som kan være varme.
 - **Bruk ikke produktet til å jobbe med små gjenstander eller gjenstander som ikke kan holdes ordentlig fast.** Gjenstanden kan bli kastet ut og forårsake skade.
 - **Slip aldri på siden av slipehjulet.** Slipehjulet kommer til å sprekke. Slip kun på den flate forsiden av slipehjulet.
 - **La aldri sagen gå uten betjening.** Slå av verktøyet. Pass opp, slipeskiven går rundt av seg selv etter at verktøyet har stanset. Ikke forlat verktøyet før det har stoppet helt.



- Strekk aldri fingre eller annet inn under eller bak slipehjulene.
- Bruk ørebeskyttelse, som f.eks. ørepropper eller øreklokker, hvis du bruker produktet over lenger tid.
- Ta støpslet ut av stikkkontakten før det foretas justeringer, service eller vedlikehold. Strømledningen skal alltid være frakoblet når du vedlikeholder produktet.
- Juster arbeidsstøttene og gnistfangerne hyppig, slik at du kompensere for slitasjen på slipehjulene.
- Juster arbeidsstøtter ved behov slik at avstanden mellom arbeidsstøttene og slipehjulene er så liten som mulig. Denne avstanden skal være maksimalt 2 mm. Etter som diameteren til slipehjulet reduseres ved bruk, oppretthold maksimum arbeidsstøtteavstand ved å justere den.
- Juster gnistfangerne ved behov slik at avstanden mellom gnistfangerne og slipehjulet er så liten som mulig. Denne avstanden skal være maksimalt 2 mm. Diameteren til slipehjulet vil reduseres over tid og med bruk. Juster gnistfangerne for å opprettholde maksavstanden.
- Skift ut slitt skive når avstanden på 2 mm mellom gnistfangeren / arbeidsstøtten og skiven ikke enger er i stand til å opprettholdes.
- Hvis gnistfangeren eller arbeidsstøtten blir slitt eller skadet, må du bytte den ut med en identisk erstatningsdel fra det autoriserte servicesenteret.
- Når du installerer et nytt slipehjul, må du alltid sjekke at angitt maks omdreiningshastighet er lik eller høyere enn det som kreves for produktet. Sørg for at diameteren til slipehjulet og akselhullet tilsvarer det som står i spesifikasjonene. Inspiser også det nye slipehjulet for å se etter skader, som lyter eller sprekker.

SIKKERHETSINSTRUKSJONER FOR SLIPEHJUL

⚠ ADVARSEL

For å redusere risikoen for skade, må brukeren lese og følge instruksjonene, advarslene og brukerhåndboken før bruk av dette slipehjulet. Hvis denne advarselen ikke følges, kan det føre til at skiven knekker og alvorlig personskade. Ta vare på disse instruksjonene.

- Bruk av andre slipehjul enn de som anbefales i maskinens instruksjonshåndbok kan føre til personskader. Bruk kun slipehjul som er godkjent for minst like høye hastigheter som oppstår i maskinen.
- Bruk aldri et hjul som er for tykt til at den ytre flensen ikke får kontakt med spindelplaten. Større hjul vil komme i kontakt med hjuldekslet, mens tykkere skjæreblader vil hindre skruen fra å feste hjulet forsvarlig på spindelen. Begge disse situasjonene kan føre til en alvorlig ulykke og kan resultere i alvorlig personskade.
- Dette slipehjulet er beregnet på sliping og forming av metall. Bruk ikke slipehjulet til å skjære over / kappe

av gjenstander.

- Dette slipehjulet kan kun brukes til tørr sliping.
- Bruk ikke skadde slipehjul, og bruk ikke slipehjul med skader eller sprekker eller som er skadet på andre måter.
- Sørg for at slipehjulet er satt riktig på plass og godt festet før bruk.
- Maskinen må aldri være koblet til strømforsyningen når du installerer eller fjerner slipehjul.
- Lagre reserve-slipehjulet trygt.
 - Oppbevar slipehjulet inne i emballasjen hvis det er mulig.
 - Lagre slipehjulet i tørre omgivelser ved romtemperatur.
 - Slipehjulene kan lagres vertikalt på en hylle.
 - Ikke utsett slipehjulene for fall eller andre støt og slag.

Informasjonen på slipehjulets etikett

Informasjonen på slipehjulets etikett er viktig. Les og kontroller den nøye for å sikre at du velger riktig type slipehjul.

1. produsent, leverandør, importør eller varemerke
2. Nominelle dimensjoner på slipehjulet, spesielt diameteren på akselhullet.
3. Slipetype, korntørrelse, grad eller hardhet, bindingstype og bruk av forsterkning.
4. Maks driftshastighet i meter per sekund.
5. maks tillatt hastighet på rotasjon i 1/min
6. For konformitetsdeklarasjonen skal slipeprodukter være merket EN 12413.
7. symboler for bruksbegrensning og sikkerhetsadvarsel
8. sporingskode, f.eks. A produksjons/batch nummer, serienummer

Skiven kan kreve utskiftning under hvilken som helst av følgende omstendigheter.

1. Hvis fronten på slipeskiven er ujevnt slitt, har spor eller ikke lenger er glatt og flat.
2. Hvis diameteren til slipehjulet ikke lenger er rund.
3. Hvis overflaten til skiven blir belastet og sløv med arbeidsstykkematerialet.
4. Hvis det er noen tegn på skade.
5. Hvis enheten blir vanskelig å arbeide med.
6. Hvis arbeidsstøtten/gnistfangeren ikke kan justeres til ≤ 2 mm avstand fra slipehjulet.
7. Hvis ≤ 1 cm av skiven stikke frem fra flensen. Se tips på side 147.

GJENVÆRENDE RISIKO

Også når produktet brukes som beskrevet, er det ikke mulig å utelukke risiko for brukere eller personer i nærheten. Følgende farer kan oppstå ved bruk og operatøren bør være spesielt oppmerksom på å unngå/sikre følgende:

- Risiko for kontakt med utildekkede deler av det roterende slipehjulet.





- Brannfare ved kontakt med slipeskiven eller arbeidsstykket.
- Fare for skade på pusteorganene dersom man ikke bruker en adekvat støvmaske.
- Skader på hørselen dersom ikke effektivt hørselsvern brukes.

KJENN DITT PRODUKT.

Se side 141.

1. Transparent skjerm x 2
2. Gnistfanger x 2
3. Hjulskjerm x 2
4. Slipeskive x 2
5. Arbeidsstykkestøtte x 2
6. Av/På-bryter
7. Monteringshull x 4
8. Låseknott for arbeidsstykkestøtte x 2

VEDLIKEHOLD

- Ikke modifier produktet på noen måte eller bruk tilbehør som ikke er godkjent av produsenten. Din og andres sikkerhet vil kunne påvirkes negativt.
- Ikke bruk produktet hvis noen av bryterne, beskyttelsesutstyret eller andre funksjoner ikke virker som de skal. Oppsøk et autorisert servicesenter for profesjonelle reparasjoner eller justeringer.
- Gjør ikke justeringer mens produktet er i bruk.
- Sørg for at den elektriske kontakten alltid er fjernet fra det elektriske støpslet før det utføres justeringer, smøring eller vedlikehold på produktet.
- Før og etter hver gangs bruk må produktet inspiseres for skader eller ødelagte deler. Hold produktet i topp stand ved umiddelbart å erstatte deler med reservedeler som er godkjent av produsenten.
- Rengjør og samle opp støv med en børste eller støvsuger. Bruk ikke komprimert luft.
- For å sikre sikkerhet og pålitelighet må alle reparasjoner, inklusive skifte av børster, utføres ved et autorisert servicesenter.
- Hvis kablet er skadet, få den skiftet ut av et godkjent Ryobi serviceverksted for å unngå fare for ulykke.

ADVARSEL

For større sikkerhet og pålitelighet skal alle reparasjoner foretas av et godkjent RYOBI serviceverksted.

VEDLIKEHOLD OG OPPBEVARING

- Når produktet skal lagres må strømfedningen frakoples.
- Rengjør produktet ved bruk av en børste og støvsuger.
- Bær og løft alltid produktet i henhold til angivelsene i denne brukerhåndboken.
- Beskytt produktet fra enhver kraftig påvirkning eller

sterke vibrasjoner som kan forekomme under transport i kjøretøy.

- Sikre produktet slik at det ikke glir eller velter.
- Oppbevar produktet og dets tilbehør på et tørt, sikkert sted som ikke er tilgjengelig for barn.
- Vi anbefaler bruk av den opprinnelige pakningen for oppbevaring for å beskytte produktet mot støv.

MILJØVERN



Resirkuler råmaterialer istedenfor å kaste dem i søppelen. Verktøyet, tilbehørene og emballasjen bør sorteres for miljøvennlig resirkulering.

SYMBOLER PÅ PRODUKTET



Sikkerhetsadvarsel



Les instruksjonene nøye før apparatet tas i bruk.



CE samsvarserklæring



EurAsian Konformitetstegn.



Ukrainsk merke for konformitet



Bruk hørselsvern



Bruk øyebeskyttelse



Ikke for våtsliping eller våtkutting



Ikke bruk sprukne eller på annen måte skadede slipehjul



Bruk sikkerhetshansker



Skiverotasjonsretning (vist på skiveetiketten)



Skiverotasjonsretning (vist på skivevernet)



Avfall fra elektriske produkter skal ikke kastes sammen med husholdningsavfall. Vennligst resirkulervedeksisterende avfallsbehandlingssted. Undersøk hos dine lokale myndigheter eller forhandler for råd om resirkulering.

SYMBOLER I MANUALEN



Sett maskinens støpsel i strømkontakten.



Trekk ut verktøyets støpsel.



Deler eller tilbehør solgt separat

Følgende symboler og betydninger forklarer risikonivået som er assosiert med dette produktet.

FARE

Indikerer en umiddelbart farlig situasjon, som, dersom den ikke unngås, kan føre til alvorlig personskade eller død.

ADVARSEL

Indikerer en potensiell farlig situasjon, som, dersom den ikke unngås, kan føre til alvorlig personskade eller død.

ADVARSEL

Indikerer en potensiell farlig situasjon, som, dersom den ikke unngås, kan føre til mindre eller moderate skader.

ADVARSEL

(Uten sikkerhetssymbol) Indikerer en situasjon som kan resultere i skader på eiendom.



В основе конструкции вашего шлифовального станка лежат принципы безопасности, продуктивности и надежности.

НАЗНАЧЕНИЕ

- Данный шлифовальный станок предназначен для шлифовки металла. Изделие можно использовать для заточки металлических инструментов (таких как долота, топоры, ножи) и сверл, а также для удаления неровностей и острых краев.
- С определенными аксессуарами, данное изделие можно использовать для очистки металлических поверхностей с использованием металлической щетки, или для шлифовки и полировки с использованием шлифовального круга с тканевыми полосками.
- Не пользуйтесь инструментом для выполнения разрезов.

ОСНОВНЫЕ УКАЗАНИЯ ПО ТЕХНИКЕ БЕЗОПАСНОСТИ ПРИ РАБОТЕ С ЭЛЕКТРОИНСТРУМЕНТОМ

⚠ ОСТОРОЖНО

Прочтите все указания, инструкции, иллюстрации и спецификации, поставляемый с этим электроинструментом. Несоблюдение всех инструкций, указанных ниже, может привести к поражению электрическим током, пожару и / или серьезным травмам.

Сохраните все предупреждения и инструкции для дальнейшего использования. Термин «электроинструмент» в предупреждениях означает инструмент, работающий от электрической сети (проводной) или аккумулятора (беспроводной).

БЕЗОПАСНОСТЬ НА РАБОЧЕМ МЕСТЕ

- Рабочий участок должен быть свободным и хорошо освещенным. Загромождение или плохое освещение рабочей зоны может привести к несчастным случаям.
- Не используйте электроинструменты во взрывоопасной среде, например, при наличии легковоспламеняющихся жидкостей, газов или пыли. В электрических устройствах могут образовываться искры, что может привести к воспламенению пыли или газа.
- Не допускайте присутствия детей и посторонних лиц при работе с электроинструментом. Отвлечение на посторонних лиц может привести к потере контроля во время эксплуатации агрегата.

ЭЛЕКТРОБЕЗОПАСНОСТЬ

- Вилки кабеля питания инструмента должны соответствовать используемой розетке.

Не подвергайте вилку кабеля каким-либо изменениям. Не используйте какие-либо переходники с электроинструментами с заземляющим проводом. Использование оригинальных штепсельных вилок и соответствующих розеток предотвращает опасность поражения электрическим током.

- Не допускайте контакта частей тела с поверхностями заземленных предметов, например труб, радиаторов отопления, кухонных плит, холодильников. При соприкосновении частей тела человека с заземленными участками возрастает опасность поражения электрическим током.
- Не оставляйте электроинструменты под дождем или в условиях повышенной влажности. Попавшая внутрь электроинструмента вода увеличивает опасность поражения электрическим током.
- Не допускайте неправильного обращения с кабелем. Не используйте кабель для переноски, перемещения или отключения инструмента от сети питания. Не раскладываете кабель вблизи источников тепла, масла, острых предметов или подвижных элементов. Поврежденные или запутанные провода повышают опасность поражения электрическим током.
- При работе с электроинструментом вне помещений пользуйтесь удлинительным кабелем, предназначенным для наружного применения. Использование кабеля, предназначенного для наружного применения, снижает опасность поражения электрическим током.
- Если нет возможности избежать работы в условиях повышенной влажности, подключайте электроинструмент через устройство защитного отключения. При использовании устройства защитного отключения снижается опасность поражения электрическим током.

ЛИЧНАЯ БЕЗОПАСНОСТЬ

- Будьте внимательны при работе с устройством и руководствуйтесь здравым смыслом. Не используйте агрегат в случае усталости или после принятия наркотиков, алкоголя или медицинских препаратов. Малейшая невнимательность при работе с электроинструментом может привести к серьезной травме.
- Используйте средства индивидуальной защиты. Всегда надевайте защитные очки. Такие средства защиты, как противовсплывающая маска, нескользящая обувь, жесткий головной убор и средства защиты органов слуха, при использовании в соответствующих условиях позволят снизить риск получения травмы.
- Не допускайте непреднамеренного запуска. Перед подключением инструмента к источнику



питания, заменой аккумуляторного блока, поднятием и переноской инструмента проверьте, чтобы переключатель находился в положении «выключено». При переноске электроинструментов с пальцем на переключателе или подаче питания к инструментам при переключателе в положении «вкл.» возможны несчастные случаи.

- **Перед включением электроинструмента уберите все регулировочные и гаечные ключи.** Гаечные или регулировочные ключи, оставленные на вращающихся частях электроинструмента, могут привести к телесному повреждению.
- **Не прикладывайте чрезмерных усилий.** Старайтесь сохранять устойчивость и подыскивайте твердую опору. Это обеспечивает лучшую управляемость электроинструментом в непредвиденных ситуациях.
- **Одевайтесь соответствующим образом.** Не надевайте одежду свободного покроя и украшения. Не допускайте попадания волос и одежды в подвижные детали. Свободная одежда, украшения и длинные волосы могут попасть в движущиеся части.
- **При наличии оборудования для соединения пылеуловителей и пылеотделителей обеспечьте его надлежащее подключение и эксплуатацию.** Пылеулавливание может снизить угрозы, связанные с образованием пыли.
- **Не нарушайте правила техники безопасности, даже несмотря на длительный опыт работы с инструментами.** Небрежные действия могут за долю секунды привести к серьезной травме.

ЭКСПЛУАТАЦИЯ ЭЛЕКТРОИНСТРУМЕНТА И УХОД ЗА НИМ

- **Не увеличивайте скорость работы инструмента.** Правильно подбирайте инструмент для выполнения необходимой работы. Правильно подобранный инструмент лучше и безопаснее выполняет свою работу.
- **Не пользуйтесь электроинструментом, если выключатель не включается или не выключается.** Любой электроинструмент, не управляемый выключателем, представляет опасность и должен быть отремонтирован.
- **Перед регулировкой, заменой принадлежностей и помещением электроинструмента на хранение отсоедините вилку от источника питания и/или извлеките аккумуляторный блок (если это возможно).** Такие меры предосторожности снижают риск случайного пуска инструмента.
- **Храните неиспользуемые электроинструменты в месте, недоступном для детей, а также не допускайте к использованию данного инструмента лиц, не знакомых с его работой или не ознакомленных с данными данными инструкциями.** Использование

электроинструментов лицами, не подготовленными к работе с подобными электроинструментами, может стать причиной создания опасных ситуаций.

- **Электроинструменты и принадлежности необходимо обслуживать.** Проверьте инструмент на предмет наличия перекоса или заклинивания движущихся частей, дефектов компонентов или наличия иных условий, которые могут отразиться на его работе. При повреждении изделия перед его дальнейшим использованием следует выполнить техническое обслуживание. Большое количество несчастных случаев происходит из-за ненадлежащего технического обслуживания изделий.
- **Поддерживайте режущие инструменты в заточенном и чистом виде.** Режущие инструменты в надлежащем состоянии, с острыми кромками менее подвержены застреванию и более управляемы.
- **Используйте инструмент, принадлежности, наконечники и др. в соответствии с данными инструкциями, учитывая условия и характер работы.** Использование данного электроинструмента не по назначению может создать опасную ситуацию.
- **Поддерживайте захватные поверхности в сухом, чистом виде, без масла и смазки.** Скользкие рукояти и захватные поверхности не дают возможности контролировать инструмент в нестандартных ситуациях.

ОБСЛУЖИВАНИЕ

- **Техническое обслуживание и ремонт электроинструмента должен выполнять только квалифицированный специалист с использованием взаимозаменяемых запасных частей.** Это обеспечит нормальное техническое состояние устройства.

ТРЕБОВАНИЯ БЕЗОПАСНОСТИ ПРИ РАБОТЕ СО ШЛИФОВАЛЬНЫМ СТАНКОМ

- **Всегда носите защитные очки и респиратор.**
- **Используйте наушники!** Воздействие шума может привести к потере слуха.
- **Данное изделие не подходит для мокрого шлифования.**
- **Не используйте поврежденный аксессуар.** Перед каждым использованием осматривайте принадлежности (например, шлифовальные круги) на предмет сколов и трещин. После осмотра и установки устройства, позиционировать себя и окружающих от плоскости вращающегося принадлежности и запуска инструмента при максимальной скорости без нагрузки в течение одной минуты. Поврежденные аксессуары, как правило, развалится в течение этого времени





испытания.

- **Номинальная скорость аксессуара должен быть по меньшей мере равную максимальной скорости отмечается электроинструмента.** Аксессуары работают быстрее, чем их номинальная скорость может привести к поломке и развалится.
- **В процессе шлифования никогда не стойте сбоку от шлифовального круга.** Шлифование сбоку может стать причиной разрушения и отбрасывания круга.
- Вилка должна подключаться к заземленной розетке, установленной в соответствии со всеми действующими в данном регионе нормами. Если вы не уверены, пригласите электрика для проверки розетки.
- Перед выполнением работы закрепите станок на верстаке, подставке или другом жестком каркасе. При отсутствии фиксации инструмент неустойчив и может двигаться при выполнении работы. Это может привести к травме.
- Обеспечить надлежащее общее или местное освещение, чтобы предотвратить стробоскопический эффект и факторы риска.
- Изделие следует использовать только при фиксации шлифовальных колес на обоих шпинделях во избежание риска соприкосновения с вращающимися шпинделями.
- Всегда используйте защитные кожаные, опоры, прозрачные экраны и искрогасители в порядке, предусмотренном для принадлежности(-тей).
- Регулируйте опору для заготовок таким образом, чтобы угол между опорой и кромкой шлифовального круга был больше 85°.
- Перед началом работы проверьте наличие необходимых деталей и аксессуаров, чтобы убедиться, что нет препятствий к нормальному выполнению работы. Закрутите гайки, фиксирующие шлифовальный круг, фиксирующие болты и все зажимы и ограничители.
- Перед каждым запуском проверяйте шлифовальный круг на наличие повреждений. Не используйте поврежденные шлифовальные круги или круги неправильной формы. В случае повреждения шлифовального круга, замените его в соответствии с инструкцией.
- Перед каждым запуском проверяйте свободное вращение круга. Выключив инструмент и отключив его от источника питания, осторожно покрутите шлифовальный круг. Круг не должен касаться деталей шлифовального станка, не должно быть залипания и других препятствий, которые могут повлиять на четкий порядок выполнения операции.
- При каждом запуске станка встаньте сбоку от инструмента и включите его. Станок должен поработать на полной скорости в течение 1 минуты, чтобы было видно упущенные трещины или дефекты. Шлифовальный круг не должен касаться детали до достижения максимальной скорости.
- Не подносите руки и части тела к шлифовальному кругу. Не допускайте контакта конечностей с вращающимся шлифовальным кругом, это может привести к травме.
- Обязательно пользуйтесь защитными кожухами и прозрачными экранами. Держите защитные приспособления под рукой и в рабочем состоянии. Работа на станке без защитных устройств или с поврежденными защитными устройствами может привести к травме.
- Избегайте ожогов. При шлифовке шлифовальный круг и деталь могут быть очень горячими. Не касайтесь шлифовального круга и деталей, которые могут быть горячими.
- Не используйте станок для обработки маленьких деталей или таких деталей, которые невозможно крепко удерживать. При шлифовке деталь может быть отброшена, что может привести к травме.
- При шлифовке никогда не стойте на стороне шлифовального круга. Шлифовальный круг может расколоться. Шлифуйте только передней частью шлифовального круга.
- Никогда не оставляйте инструмент работающим без присмотра. Выключите инструмент. Круги продолжать вращаться после того, инструмент выключен. Не оставляйте инструмент до его полного останова.
- Никогда не касайтесь задней или нижней части шлифовального круга.
- При выполнении длительных операций пользуйтесь средствами защиты слуха, такими как пробки или беруши.
- Перед выполнением каких-либо настроек, текущего ремонта или технического обслуживания удалите штепсельную вилку. При выполнении технического обслуживания станка, он должен быть отключен от электросети.
- Часто регулируйте опоры и искрогасители для того, чтобы компенсировать износ шлифовальных кругов.
- При необходимости, отрегулируйте опоры с учетом минимального расстояния между ними и шлифовальным кругом. Интервал должен быть не более 2 мм. Так как диаметр шлифовального круга сокращается по мере использования, поддерживайте максимальное расстояние путем его регулировки.
- При необходимости, отрегулируйте искрогасители, чтобы между ними и шлифовальным кругом был минимальный интервал. Интервал должен быть не более 2 мм. Так как диаметр шлифовального круга сокращается по мере использования, поддерживайте максимальный интервал, регулируя его.
- Замените изношенный шлифовальный круг, когда между искрогасителем/опорой заготовки и кругом





более невозможно обеспечить расстояние 2 мм.

- При износе или повреждении искрогасителя либо опоры, замените деталь в авторизованном сервисном центре.
- При установке нового шлифовального круга всегда проверяйте, чтобы максимальная скорость, указанная на нем не была ниже скорости, указанной на станке. Диаметр шлифовального круга и размер оси должны соответствовать указанным в спецификации размерам. Также проверьте новый шлифовальный диск на наличие трещин или дефектов.

ТРЕБОВАНИЯ БЕЗОПАСНОСТИ ПРИ РАБОТЕ СО ШЛИФОВАЛЬНЫМ КРУГОМ

⚠ ОСТОРОЖНО

Для снижения риска травматизма, пользователь должен прочитать и четко следовать инструкциям, предупреждениям и руководству пользователя до начала работы со шлифовальным кругом. Несоблюдение данных предупреждений может привести к поломке круга и к тяжелым травмам. Сохраните данные инструкции.

- Использование шлифовального круга, не указанного в руководстве пользователя, может привести к получению травмы. Используйте шлифовальные круги только с маркированной скоростью, величина которой равна или больше указанной на инструменте.
- Никогда не используйте слишком толстый отрезной круг, чтобы внешний фланец совпал с фасками шпинделя. Режущие круги большего диаметра будут задевать за ограждение круга, а круги большей, чем требуется, толщины могут помешать креплению диска на шпинделе болтом крепления. Любая из этих ситуаций может стать причиной несчастного случая и в результате этого серьезного травмирования.
- Шлифовальный круг предназначен для шлифовки и придания формы металлическим деталям. Не предпринимайте попыток выполнить разрезы.
- Данный шлифовальный круг предназначен только для сухой шлифовки.
- Не пользуйтесь поврежденными или треснувшими шлифовальными кругами, а также кругами с какими-либо дефектами.
- Перед использованием проверьте, надежно ли закреплен абразивный шлифовальный круг.
- При установке или снятии шлифовального круга инструмент должен быть отключен от электросети.
- Запасные шлифовальные круги следует хранить с осторожностью.
 - Если это возможно, храните шлифовальные

круги в заводской упаковке.

- Храните шлифовальные круги в сухом помещении при комнатной температуре.
- Шлифовальные круги можно хранить на полке в вертикальном положении.
- Шлифовальные круги не должны подвергаться падению или другому воздействию.

Информация на табличке шлифовального круга

Информация, представленная на табличке шлифовального круга, очень важна. Внимательно прочитайте ее, чтобы убедиться, что выбран правильный тип шлифовального круга.

1. Производитель, поставщик, импортер или заводская марка
2. Номинальные размеры шлифовального круга, в частности, внутренний диаметр.
3. Тип абразивного материала, зернистость, жесткость, тип связующего вещества и использование армирующих добавок.
4. Максимальная скорость в метрах в секунду.
5. Максимальная допустимая скорость вращения в об/мин
6. Для декларации соответствия абразивные изделия должны быть маркированы в соответствии со стандартом EN 12413.
7. Ограничения в использовании и символы предупреждений относительно безопасности
8. Код прослеживаемости, например, номер партии/производства, серийный номер

Замена круга может потребоваться в следующих случаях.

1. В случае неравномерного износа кромки шлифовального круга, появления на нем борозд, нарушения его ровной и плоской структуры.
2. При деформировании шлифовального круга.
3. В случае затупления поверхности круга обрабатываемой деталью.
4. При обнаружении признаков повреждения.
5. Если с ним становится тяжело работать.
6. При невозможности отрегулировать опору / искрогаситель с учетом расстояния ≤ 2 мм до поверхности круга.
7. Если ≤ 1 см круга выступает над кромкой. См. рекомендации на стр. 147.

ОСТАТОЧНЫЕ РИСКИ

Даже когда изделие используют согласно инструкциям, невозможно полностью устранить факторы риска. Следующие опасности могут возникнуть во время его использования, и во избежание их рабочий должен обратить особое внимание на следующее:

- Риск контакта с незащищенными деталями крутящегося круга.
- Риск ожога при контакте с горячим шлифовальным кругом или заготовкой.



- Возможно повреждение дыхательных путей, если не используется эффективный респиратор.
- Травмирование органов слуха вследствие игнорирования соответствующих средств защиты.

ИЗУЧИТЕ ИЗДЕЛИЕ

Стр 141.

1. Прозрачный экран x 2
2. Искрогаситель x 2
3. Защитное устройство отрезного круга x 2
4. Шлифовальный круг x 2
5. Подручник x 2
6. Тумблер включения/выключения
7. Монтажное отверстие x 4
8. Ручка фиксации подручников x 2

ТЕХНИЧЕСКОЕ ОБСЛУЖИВАНИЕ

- Запрещается каким-либо образом изменять конструкцию изделия или использовать аксессуары, не рекомендованные производителем. Ваша безопасность и безопасность других людей может быть нарушена.
- Не используйте изделие, если выключатели, защитные приспособления или другие компоненты не функционируют должным образом. обратитесь в авторизованный сервисный центр для ремонта или регулировки.
- Нельзя выполнять настройки при движущейся детали.
- Перед выполнением регулировки, смазки или технического обслуживания изделия всегда проверяйте, вынута ли вилка из розетки.
- Проверяйте изделие на предмет повреждения или поломки деталей перед и после каждого использования. Держите изделие в хорошем рабочем состоянии, своевременно заменяя изношенные детали, используя запасные части, рекомендуемые производителем.
- Удаляйте накопленную пыль с помощью зубной щетки или пылесоса. Не используйте сжатый воздух.
- Для обеспечения безопасности и надежности все ремонтные работы, включая замену щеток, должны выполняться в авторизованном сервисном центре.
- Во избежание несчастных случаев меняйте поврежденные сетевые шнуры только в фирменном центре технического обслуживания.

⚠ ОСТОРОЖНО

Для большей безопасности и надежности, все ремонтные работы должны быть выполнены RYOBI авторизованный сервисный центр.

ТРАНСПОРТИРОВКА И ХРАНЕНИЕ

- При хранении изделия отсоедините шнур питания.
- Очистку изделия следует выполнять с помощью щетки и пылесоса.
- Переноску и поднятие изделия необходимо осуществлять в соответствии с инструкциями настоящего руководства.
- Обезопасьте изделие от механического воздействия и сильных вибраций в процессе перевозки в транспортных средствах.
- Закрепите изделие во избежание его соскальзывания и падения.
- Хранить изделие и принадлежности следует в сухом безопасном, недоступном для детей месте.
- Мы рекомендуем использовать для хранения фирменную упаковку для защиты изделия от пыли.

ЗАЩИТА ОКРУЖАЮЩЕЙ СРЕДЫ

Утилизируйте как сырье, а не выбрасывайте как мусор. Машина, аксессуары и упаковка должны быть отсортированы.

УСЛОВНЫЕ ОБОЗНАЧЕНИЯ НА ПРОДУКТЕ

Сигнал опасности



Внимательно прочтите данные инструкции перед использованием продукта.



Соответствие требованиям CE



Знак Евразийского Соответствия



Сертификат Соответствия



Применяйте средства защиты органов слуха



Применяйте средства защиты органов зрения



Не предназначено для шлифования или резки с охлаждением



Не используйте бракованные шлифовальные диски или диски со сколами или трещинами



Надевайте защитные перчатки



Направление вращения круга (указано на этикетке круга)



Направление вращения круга (указано на защитном кожухе круга)



Отработанная электротехническая продукция должна уничтожаться вместе с бытовыми отходами. Утилизируйте, если имеется специальное техническое оборудование. По вопросам утилизации проконсультируйтесь с местным органом власти или предприятием розничной торговли.

ОБОЗНАЧЕНИЯ В РУКОВОДСТВЕ



Подключите устройство к электросети.



Отключите инструмент от электросети.



Детали или принадлежности, приобретаемые отдельно

Следующие сигнальные слова и значения предназначены, чтобы объяснить уровни риска, связанного с этим изделием.

⚠ ОПАСНО

Указывает на потенциально опасную ситуацию, которая, если ее не избежать, приведет к летальному исходу или серьезной травме.

⚠ ОСТОРОЖНО

Указывает на потенциально опасную ситуацию, которая, если ее не избежать, может привести к летальному исходу или серьезной травме.

⚠ ВНИМАНИЕ

Указывает на потенциально опасную ситуацию, которая, если ее не избежать, может привести к травме

легкой или средней тяжести.

ВНИМАНИЕ

(Без Символа Тревоги Безопасности) Указывает ситуацию, которая может закончиться повреждением собственности.

**Транспортировка:**

Категорически не допускается падение и любые механические воздействия на упаковку при транспортировке.

При разгрузке/погрузке не допускается использование любого вида техники, работающей по принципу зажима упаковки.

Хранение:

Необходимо хранить в сухом месте.

Необходимо хранить вдали от источников повышенных температур и воздействия солнечных лучей.

При хранении необходимо избегать резкого перепада температур.

Хранение без упаковки не допускается.

Срок службы изделия:

Срок службы изделия составляет 5 лет.

Не рекомендуется к эксплуатации по истечении 5 лет хранения с даты изготовления без предварительной проверки.

Дата изготовления (код даты) отштампован на поверхности корпуса изделия.

Пример:

W17 Y2015, где Y2015 - год изготовления

W17 – неделя изготовления

Определить месяц изготовления можно согласно приведенной ниже таблице, на примере 2015 года.

Обратите внимание! Количество недель в месяце различается от года в год.

Месяц	Январь	Февраль	Март	Апрель	Май	Июнь	Июль	Август	Сентябрь	Октябрь	Ноябрь	Декабрь	Год
Неделя	01	05	09	14	18	22	27	31	36	40	44	49	2015
	02	06	10	15	19	23	28	32	37	41	45	50	
	03	07	11	16	20	24	29	33	38	42	46	51	
	04	08	12	17	21	25	30	34	39	43	47	52	
	05	09	13	18	22	26	31	35	40	44	48	53	
			14			27							



Bezpieczeństwo, efektywność i niezawodność były czynnikami o najwyższym priorytecie w trakcie projektowania Państwa szlifierki stołowej.

PRZEZNACZENIE

- Ta szlifierka przeznaczona jest do szlifowania i kształtowania elementów metalowych. Produktu można używać do ostrzenia narzędzi ręcznych (np. dług, siekier lub noży) oraz wiertła, a także do usuwania zadziorów lub ostrych krawędzi.
- Pod warunkiem zastosowania właściwych akcesoriów produktu można używać do czyszczenia metalowych powierzchni tarczą drucianą lub do polerowania tarczą tekstylną.
- Nigdy nie używać produktu do odcinania.

OGÓLNE ZASADY BEZPIECZEŃSTWA DOTYCZĄCE URZĄDZEŃ ELEKTRYCZNYCH

OSTRZEŻENIE

Prosimy o uważne zapoznanie się z ostrzeżeniami, instrukcjami i specyfikacjami dostarczonymi z tym narzędziem oraz z zawartymi w nich ilustracjami. Nie przestrzeganie przedstawionych niżej zaleceń mogłoby pociągnąć za sobą wypadki takie jak pożary, porażenia prądem elektrycznym i/lub poważne obrażenia ciała.

Zachowaj wszystkie ostrzeżenia i instrukcje do wykorzystania w przyszłości. Określenie „elektronarzędzie” w ostrzeżeniach oznacza zasilane z sieci (przewodowe) elektronarzędzie lub zasilane akumulatorem (beprzewodowe) elektronarzędzie.

BEZPIECZEŃSTWO MIEJSCA PRACY

- **Miejsce pracy musi być utrzymywane w czystości i dobrze oświetlone.** „Zagracone” i słabo oświetlone miejsca pracy to częsta przyczyna wypadków.
- **Nie używać elektronarzędzi w atmosferze wybuchowej, np. w obecności łatwopalnych cieczy, gazów i pyłów.** Elektronarzędzia wytwarzają iskry, co może spowodować zapłon pyłu lub oparów.
- **Podczas używania narzędzi elektrycznych należy utrzymywać osoby postronne i dzieci z dala od miejsca pracy.** Utrata koncentracji może spowodować utratę kontroli nad urządzeniem.

BEZPIECZEŃSTWO ELEKTRYCZNE

- **Wtyczki zasilania elektronarzędzi muszą pasować do gniazd sieciowych. Nie wolno modyfikować wtyczek w żaden sposób. Nie wolno używać żadnych przejściówek do podłączania elektronarzędzi posiadających przewód zasilania z uziemieniem.** Stosowanie oryginalnych wtyczek i dopasowanych gniazd sieciowych zmniejsza ryzyko porażenia prądem.
- **Unikać kontaktu ciała z ziemią lub uziemioną**

powierzchnią (rury, instalacje grzewcze i chłodnicze). Kontakt ciała z masą lub uziemieniem zwiększa ryzyko porażenia prądem.

- **Nie narażać elektronarzędzi na działanie deszczu lub wody.** Woda dostająca się do elektronarzędzia stwarza zagrożenie porażenia prądem.
- **Nie rozciągać nadmiernie przewodu. Nie wolno używać przewodu zasilania do przenoszenia, ciągnięcia urządzenia lub jego odłączania z gniazda sieciowego. Przewód zasilania należy trzymać z dala od oleju, ostrych krawędzi lub ruchomych części.** Uszkodzony lub zaplątany przewód elektryczny zwiększa ryzyko porażenia prądem.
- **W przypadku używania urządzenia na zewnątrz, ewentualne przedłużacze muszą być do tego przystosowane.** Zastosowanie przedłużacza przystosowanego do warunków zewnętrznych zmniejsza ryzyko porażenia prądem.
- **Jeśli nie można uniknąć użytkowania urządzenia elektrycznego w warunkach wilgotnych, należy je zasilac z obwodu zabezpieczonego wyłącznikiem różnicowo-prądowym (RCD).** Zastosowanie takiego wyłącznika pozwala zmniejszyć ryzyko porażenia prądem elektrycznym.

BEZPIECZEŃSTWO OSOBISTE

- **Należy obserwować miejsce pracy, skupić się na wykonywanych czynnościach i rozsądnie obchodzić się z narzędziem. Nie używać tego narzędzia w stanie zmęczenia, będąc pod wpływem narkotyków, alkoholu lub leków.** Chwila nieuwagi podczas obsługi elektronarzędzi może spowodować poważne obrażenia ciała.
- **Stosować środki ochrony osobistej. Zawsze nosić okulary ochronne.** Zastosowanie w odpowiednich warunkach sprzętu ochronnego, takiego jak maska przeciwpyłowa, bezpieczne buty antypoślizgowe, kask czy ochronekni słuchu, umożliwiają zapobieżenie obrażeniom.
- **Unikać możliwości przypadkowego uruchomienia urządzenia. Przed podłączeniem do źródła zasilania i/lub akumulatora bądź przystąpieniem do podnoszenia lub przenoszenia produktu upewnić się, że wyłącznik znajduje się w położeniu oznaczającym wyłączenie.** Przenoszenie produktów z napędem z palcem na przełączniku bądź podłączanie do zasilania produktów z przełącznikiem ustawionym w położeniu oznaczającym włączenie zwiększa prawdopodobieństwo wypadków.
- **Usunąć wszelkie narzędzia i klucze przed włączeniem zasilania.** Uruchomienie urządzenia z kluczem lub innym narzędziem założonym na ruchomym elemencie grozi poważnym wypadkiem.
- **Nie sięgać zbyt daleko. Należy cały czas pewnie opierać stopy i utrzymywać równowagę.** Zapewni to lepsze panowanie nad urządzeniem w nieprzewidzianych sytuacjach.
- **Należy zakładać odpowiednią odzież ochronną.**





Nie zakładać luźnego ubioru ani biżuterii. Włosy i luźne fragmenty odzieży należy trzymać z dala od ruchomych części. Luźna odzież, biżuteria lub długie włosy mogą zostać wciągnięte przez ruchome części.

- Jeśli zapewniony został osprzęt do odprowadzania pyłu, należy upewnić się, że jest on podłączony i należyście stosowany. Zastosowanie odprowadzenia pyłu może ograniczyć zagrożenia związane z pyłem.
- Nie należy dopuszczać do tego, aby wcześniejsza znajomość obsługi podobnych narzędzi doprowadziła do ignorowania zasad bezpiecznego posługiwania się narzędziem. Nieostrożne postępowanie może w ułamku sekundy doprowadzić do poważnych obrażeń.

UŻYTKOWANIE I KONSERWACJA URZĄDZEŃ ELEKTRYCZNYCH

- Nie używać siły podczas obsługi narzędzia. Należy stosować odpowiedni produkt do danego zastosowania. Odpowiedni produkt będzie najwydajniejszy i najbezpieczniejszy w obsłudze, jeśli będzie używany zgodnie z przeznaczeniem.
- Nie wolno używać tego urządzenia, jeśli wyłącznik nie pracuje poprawnie. Używanie urządzenia bez sprawnego wyłącznika jest zbyt niebezpieczne – należy oddać je do naprawy.
- Przed przystąpieniem do regulacji lub wymiany akcesoriów bądź przed rozpoczęciem przechowywania należy odłączyć wtyczkę od źródła zasilania i/lub (o ile jest to możliwe) odłączyć akumulator od narzędzia z napędem. Takie zapobiegawcze środki ostrożności ograniczają zagrożenie przypadkowym włączeniem produktu.
- Nieużywane urządzenia należy przechowywać poza zasięgiem dzieci. Nie wolno zezwalać osobom nie obeznanym z obsługą urządzeń elektrycznych na ich używanie. Urządzenia elektryczne mogą być niebezpieczne w rękach osób nie posiadających odpowiedniego przygotowania.
- Narzędzia z napędem i akcesoria należy utrzymywać w dobrym stanie technicznym. Sprawdzić, czy ruchome części są dobrze dopasowane i zamocowane, czy nie są uszkodzone. Należy również uwzględnić inne okoliczności, które mogą mieć wpływ na pracę narzędzia. W razie uszkodzenia przed kolejnym uruchomieniem należy przeprowadzić czynności naprawcze narzędzia. Wiele wypadków jest spowodowanych przez nieprawidłowo serwisowane narzędzia.
- Należy dbać o to, aby narzędzia tnące były zawsze ostre i czyste. Należy konserwować i naostrzone narzędzia tnące rzadziej się zakleszczają, a ponadto zapewniają lepszą kontrolę.
- Używać produktu, akcesoriów, narzędzi itp. zgodnie z niniejszymi zaleceniami, uwzględniając warunki pracy oraz charakter zadań do wykonania. Używanie narzędzi w sposób niezgodny z ich przeznaczeniem jest niebezpieczne.

- Należy dbać o to, aby uchwyty i powierzchnie chwytne były zawsze suche, czyste i niezatłuszczone. Śliskie uchwyty i powierzchnie chwytne nie umożliwiają bezpiecznego manipulowania narzędziem i kontrolowania go w nieoczekiwanych sytuacjach.

SERWIS

- Urządzenie elektryczne powinno być naprawiane przez wykwalifikowany personel, z zastosowaniem identycznych części zamiennych. Dzięki temu zapewnione będzie bezpieczeństwo użytkownika urządzenia.

SZLIFIERKA STOŁOWA – OSTRZEŻENIA DOTYCZĄCE BEZPIECZEŃSTWA

- Zawsze należy nosić okulary ochronne i maskę przeciwpyłową.
- Stosować środki ochrony słuchu! Narażenie na hałas może spowodować utratę słuchu.
- Ten produkt nie nadaje się do szlifowania na mokro.
- Nie należy używać uszkodzonych akcesoriów. Przed każdym użyciem należy sprawdzić wyposażenie dodatkowe, takie jak tarcze ścierne, pod kątem braku wiórów i pęknięć. Po sprawdzeniu, że przystawka jest w dobrym stanie i po jej zainstalowaniu, należy pozostać na dystans od ruchomych przystawek i poczekać przez minutę, aż narzędzie osiągnie maksymalną prędkość. Jeżeli przystawka jest uszkodzona, połamie się ona podczas tego testu.
- Prędkość znamionowa przystawki powinna być równa lub większa od prędkości maksymalnej oznaczonej na narzędziu. Przystawki (akcesoria) funkcjonujące przy prędkości większej od ich prędkości znamionowej, mogą się połamać i zostać odrzucone.
- Nigdy nie szlifować za pomocą bocznych powierzchni tarczy. Szlifowanie powierzchnią boczną tarczy może spowodować jej pęknięcie i rozpadnięcie się na szybko poruszające się kawałki.
- Wtyczka musi być podłączona do odpowiedniego gniazda sieciowego, które zostało poprawnie zamontowane i uziemione zgodnie ze wszystkimi obowiązującymi przepisami lokalnymi. W przypadku braku pewności zlecić sprawdzenie gniazda uprawnionemu elektrykowi.
- Przed rozpoczęciem pracy dokładnie zamocować produkt na stole roboczym, stojąco do szlifierki lub innej sztywnej ramie. Niezamocowany produkt jest niestabilny i może przemieszczać się w trakcie pracy. Może to prowadzić do szkód lub obrażeń.
- Należy zapewniać odpowiednie ogólne lub punktowe oświetlenie, w celu wyeliminowania efektu stroboskopowego i innych zagrożeń.
- Produkt należy zawsze stosować z tarczami szlifierskimi zamontowanymi na obu wrzecionach, aby ograniczyć





ryzyko kontaktu z obracającymi się wrzecionami.

- Należy zawsze stosować zabezpieczenia, podpórki robocze, przezroczyste osłony i iskrochrony zgodnie z wymaganiami dotyczącymi akcesoriów.
- Podpórkę roboczą należy zawsze ustawiać tak, aby kąt między podpórką roboczą a styczną do tarczy ścierniej był większy niż 85°.
- Przed rozpoczęciem pracy sprawdzić komponenty oraz akcesoria produktu w celu upewnienia się, czy nie występują warunki, które mogłyby niekorzystnie wpływać na prawidłowe działanie. Dokręcić nakrętki mocujące tarcze szlifierskiej, mocując śruby oraz wszystkie zaciski i osłony.
- Przed każdym rozruchem sprawdzić tarczę szlifierską pod kątem braku uszkodzeń. Nie stosować tarcz uszkodzonych ani wypaczonych. Wymienić wszelkie uszkodzone tarcze szlifierskie zgodnie z zaleceniami.
- Przed każdym rozruchem sprawdzić, czy tarcza może się swobodnie obracać. Po odłączeniu produktu i ustawieniu wyłącznika w położeniu OFF ostrożnie obrócić tarczę ręką. Tarcza nie powinna stykać się z żadnymi komponentami szlifierki stołowej, a ponadto nie powinny występować zakleszczenia lub inne warunki niekorzystnie wpływające na prawidłowe działanie.
- W trakcie każdego rozruchu stanąć z boku produktu i włączyć go. Przed rozpoczęciem pracy należy włączyć urządzenie i odczekać 1 minutę, tak by zwiększyć prawdopodobieństwo ujawnienia wszelkich dotychczas niewykrytych wad lub pęknięć. Nie dotykać elementu obrabianego tarczą, dopóki nie osiągnie ona pełnej prędkości.
- Nie zbliżać dłoni ani innych części ciała do tarcz szlifierskich. Kontakt z obracającą się tarczą może powodować obrażenia ciała.
- Zawsze stosować zabezpieczenia i przezroczyste osłony. Osłony bezpieczeństwa muszą być na swoim miejscu i w dobrym stanie technicznym. Obsługa produktu bez osłon lub z uszkodzonymi osłonami może prowadzić do obrażeń ciała.
- Unikać poparzeń. Szlifowanie może prowadzić do nagrzewania się elementów obrabianych i tarczy szlifierskiej do wysokiej temperatury. Nie dotykać tarczy szlifierskiej lub elementów obrabianych, które mogą być gorące.
- Nie stosować produktu do obróbki małych elementów lub elementów, których nie można należyście trzymać. Może dojść do wyrzutu elementu obrabianego i obrażeń ciała.
- Nigdy nie szlifować za pomocą bocznej powierzchni tarczy. Może to doprowadzić do rozpadu tarczy. Do szlifowania służy wyłącznie powierzchnia czołowa tarczy.
- Nie wolno zostawiać maszyny podczas pracy bez nadzoru. Wyłączyć narzędzie. Uwaga, tarcza szlifierska obraca się bezwład-nościowo po wyłączeniu narzędzia. Nie odkładać narzędzia, aż do całkowitego

zatrzymaniaruchutarczy.

- Nigdy nie sięgać za tarcze szlifierskie lub poniżej nich.
- W trakcie długotrwałej pracy stosować ochronę słuchu, taką jak zatyczki lub nauszniki.
- Przed przystąpieniem do regulacji, serwisu lub konserwacji należy wyjąć wtyczkę z gniazda sieciowego. W trakcie konserwacji produktu przewód zasilający nie może pozostawać w gnieździe.
- Często regulować podpórki robocze i iskrochrony w celu kompensowania zużycia tarcz szlifierskich.
- W razie potrzeby regulować podpórki robocze, aby utrzymywać możliwie jak najmniejszą odległość między podpórkami roboczymi a tarczami szlifierskimi. Odległość ta nie powinna przekraczać 2 mm. Ponieważ średnica tarczy szlifierskiej zmniejsza się w miarę używania, należy utrzymywać maksymalną dopuszczalną odległość podpórki roboczej, regulując ją.
- W razie potrzeby regulować chwytacze iskiei, aby utrzymywać możliwie jak najmniejszą odległość między chwytaczami iskiei a tarczami szlifierskimi. Odległość ta nie powinna przekraczać 2 mm. Ponieważ średnica tarczy szlifierskiej zmniejsza się w miarę używania, utrzymywać maksymalną dopuszczalną odległość łapacz iskiei, regulując go.
- Gdy utrzymanie odległości 2 mm między łapaczem iskiei/podpórką roboczą przestanie być możliwe, należy wymienić zużytą tarczę szlifierską.
- Jeśli iskrochron lub podpórka robocza ulegną zużyciu lub uszkodzeniu, należy wymienić je na identyczne w autoryzowanym centrum serwisowym.
- W trakcie zakładania nowej tarczy należy zawsze sprawdzać, czy podana maksymalna prędkość obrotowa nie jest mniejsza od podanej na produkcie. Sprawdzać, czy średnica tarczy i rozmiar trzpienia są zgodne ze specyfikacjami. Sprawdzać również nowe tarcze pod kątem braku uszkodzeń, takich jak wady lub pęknięcia.

ZALECENIA DOTYCZĄCE BEZPIECZEŃSTWA TARCZY SZLIFERSKIEJ

⚠ OSTRZEŻENIE

W celu ograniczenia ryzyka wystąpienia obrażeń przed rozpoczęciem użytkowania tej tarczy szlifierskiej użytkownik musi zapoznać się z zaleceniami, ostrzeżeniami i podręcznikiem użytkownika oraz zastosować się do nich. Niezastosowanie się do tych ostrzeżeń może spowodować pęknięcie tarczy i poważne obrażenia ciała. Zachować ten podręcznik.

- Stosowanie tarcz innych niż zalecane w podręczniku użytkownika maszyny może wiązać się z ryzykiem wystąpienia obrażeń ciała. Należy stosować wyłącznie tarcze szlifierskie, na których podano prędkość nie





mniejszą od podanej na maszynie.

- Nie wolno stosować zbyt grubych ściernic, kołnierz ściernicy musi mieścić się na spłaszczeniu wrzeciona. Większe tarcze będą kolidować z osłonami, grubsze tarcze uniemożliwią prawidłowe zabezpieczenie na wrzecionie za pomocą śruby. Każda z tych sytuacji może doprowadzić do poważnego wypadku i spowodować poważne uszkodzenia lub obrażenia.
- Ta tarcza przeznaczona jest do szlifowania i kształtowania elementów metalowych. Tarcza nie służy do odcinania.
- Ta tarcza szlifierska przeznaczona jest wyłącznie do szlifowania na sucho.
- Nie stosować uszkodzonych tarcz szlifierskich ani tarcz, które się rozpadają, są pęknięte lub z innego powodu wadliwe.
- Przed rozpoczęciem pracy sprawdzić, czy ścierna tarcza szlifierska jest prawidłowo założona i zamocowana.
- Maszyny nigdy nie należy podłączać do zasilania w trakcie zakładania lub zdejmowania tarcz szlifierskich.
- W trakcie składowania zapasowej tarczy szlifierskiej należy obchodzić się z nią ostrożnie.
 - W miarę możliwości należy przechowywać tarczę w oryginalnym opakowaniu.
 - Przechowywać tarczę w suchym miejscu w temperaturze pokojowej.
 - Tarcze można przechowywać w pionie na półce.
 - Nie dopuszczać do upadków tarczy ani narażania ich na innego rodzaju uderzenia.

Informacje podane na etykiecie tarczy szlifierskiej

Informacje znajdujące się na etykiecie tarczy są istotne. Należy dokładnie się z nimi zapoznać, aby zyskać pewność, że dobrana zostanie tarcza właściwego typu.

1. producent, dostawca, importer lub znak handlowy
2. Wymiary nominalne tarczy szlifierskiej, a w szczególności średnica otworu.
3. Typ materiału ściernego, wielkość ziarna, klasa lub twardość, tym spoiwa oraz zastosowanie wzmocnienia.
4. Maksymalna prędkość robocza w metrach na sekundę.
5. maksymalna dopuszczalna prędkość obrotowa w 1/min
6. Dla celów deklaracji zgodności produkty ścierne powinny być oznaczone symbolem normy EN 12413.
7. ograniczenia użycia oraz symbole ostrzegawcze dot. bezpieczeństwa
8. kod identyfikacji, np. numer produkcji/serii, numer serii

Tarcza może wymagać wymiany w przypadku wystąpienia wymienionych poniżej okoliczności.

1. Jeżeli powierzchnia czołowa tarczy szlifierskiej ulegnie nierównomiernemu zużyciu bądź pojawią się na niej rowki lub przestanie być gładka i płaska.
2. Jeżeli powierzchnia boczna tarczy szlifierskiej utraci kształt koła.
3. Jeżeli powierzchnia tarczy zostanie pokryta cząstkami przedmiotu obrabianego i w rezultacie ulegnie

stąpieniu.

4. Jeżeli wystąpią jakiegokolwiek oznaki uszkodzenia.
5. Jeżeli praca z tarczą znacznie sprawiać trudności.
6. Jeżeli odległość między podpórką roboczą / iskrochronem a powierzchnią tarczy nie będzie mogła zostać wyregulowana tak, by nie przekraczała 2 mm.
7. Jeśli tarcza będzie wystawać z kołnierza na nie więcej niż 1 cm. Prosimy o zapoznanie się ze wskazówkami zamieszczonymi na stronie 147.

RYZIKO ZWIĄZANE Z UŻYTKOWANIEM

Nawet jeśli produkt jest używany zgodnie z zaleceniami, nadal nie jest możliwe wyeliminowanie określonych czynników ryzyka. Następujące zagrożenia mogą wystąpić podczas używania urządzenia i operator powinien zwracać szczególną uwagę na poniższe punkty:

- Ryzyko kontaktu z nieosłoniętymi częściami obracającej się tarczy.
- Ryzyko oparzenia w rezultacie kontaktu z gorącą tarczą lub elementem obrabianym.
- Uszkodzenie układu oddechowego w przypadku braku maski przeciwpyłowej.
- Uszkodzenie słuchu w przypadku braku odpowiednich środków ochrony słuchu.

INFORMACJE O PRODUKCIE

Patrz strona 141.

1. Osłona przezroczysta x 2
2. Chwytnak iskier x 2
3. Osłona tarczy tnącej x 2
4. Tarcza zdzierająca (ściernica) x 2
5. Podpórka robocza x 2
6. Przelącznik WI-Wył
7. Otwór montażowy x 4
8. Pokrętko blokujące podpórki roboczej x 2

KONSERWACJA

- Nie należy modyfikować produktu w żaden sposób ani nie używać akcesoriów, które nie są zalecane przez producenta. Może dojść do obniżenia poziomu bezpieczeństwa użytkownika oraz innych osób.
- Nie używać produktu, jeśli dowolny przycisk, osłona lub inna funkcja nie pracują prawidłowo. Przekazać urządzenie do autoryzowanego centrum serwisowego do naprawy lub regulacji.
- Nie regulować produktu w trakcie pracy.
- Zawsze należy upewnić się, że wtyczka zasilania została wyjęta z gniazda elektrycznego przed rozpoczęciem regulacji, smarowania lub konserwacji produktu.
- Przed o po każdym użyciu należy sprawdzić, czy produkt i jego części nie są uszkodzone. Produkt należy utrzymywać w najlepszej kondycji roboczej, wymieniając natychmiast części na części zamienne zatwierdzone przez producenta.





- Wyczyścić nagromadzony pył za pomocą szczotki lub odkurzacza. Nie stosować sprężonego powietrza.
- Aby zapewnić bezpieczeństwo i niezawodność pracy, wszystkie naprawy, w tym wymiana szczotek, powinny być przeprowadzane przez autoryzowany punkt serwisowy.
- Jeżeli przewód zasilający jest uszkodzony, należy go oddać do wymiany do Autoryzowanego Punktu Serwisowego, aby uniknąć ryzyka wypadku.

OSTRZEŻENIE

Dla większego bezpieczeństwa i lepszej pewności, wszystkie naprawy powinny być wykonywane w Autoryzowanym Punkcie Serwisowym RYOBI.

TRANSPORT I PRZECHOWYWANIE

- Podczas przechowywania produktu należy odłączyć przewód z gniazda elektrycznego.
- Produkt należy czyścić za pomocą szczotki i odkurzacza.
- Produkt należy zawsze przenosić i podnosić zgodnie z instrukcją zawartą w niniejszej instrukcji obsługi.
- Produkt należy przed silnymi uderzeniami lub silnymi wibracjami, które mogą wystąpić podczas transportu w pojazdach.
- Produkt należy zabezpieczyć przed ześlizgnięciem się lub upadkiem.
- Produkt i jego akcesoria należy przechowywać w miejscu suchym, bezpiecznym i niedostępnym dla dzieci.
- Zalecamy przechowywanie produktu w oryginalnym opakowaniu w celu zabezpieczenia go przed kurzem i pyłem.

OCHRONA ŚRODOWISKA



Surowce należy oddawać do powtórnego przetworzenia zamiast wyrzucać je na śmieci. Z myślą o ochronie środowiska, narzędzie, akcesoria i opakowania powinny być sortowane.



Zgodność CE



Znak zgodności EurAsian



Ukraiński znak zgodności



Stosować środki ochrony słuchu



Stosować środki ochrony wzroku



Narzędzie nie jest przeznaczone do cięcia ani szlifowania na mokro.



Nie należy używać tarczy szlifierskiej, która jest wyszczerbiona, pęknięta (zarysowana) lub w inny sposób uszkodzona



Zakładać rękawice ochronne



Kierunek obrotu tarczy (pokazany na etykiecie tarczy)



Kierunek obrotu tarczy (pokazany na osłonie tarczy)



Zużyte produkty elektryczne nie powinny być utylizowane z odpadami domowymi. Prosimy poddawać recyklingowi w odpowiednich miejscach. Informacje o właściwych metodach recyklingu można uzyskać u władz lokalnych lub sprzedawcy.

SYMBOLE PRODUKTU



Uwaga dotycząca bezpieczeństwa



Przed uruchomieniem produktu należy dokładnie przeczytać te instrukcje.

SYMBOLE W INSTRUKCJI



Podłączyć urządzenie do prądu.



Odłączyć urządzenie z gniazda sieciowego.



Części lub akcesoria sprzedawane oddzielnie

Poniższe symbole i nazwy które im nadano, pozwalają wyjaśnić różne poziomy ryzyka związanego z używaniem tego narzędzia.

⚠ NIEBEZPIECZEŃSTWO

Oznacza bezpośrednio niebezpieczną sytuację, która, jeśli nie zostanie uniknięta, spowoduje śmierć lub poważne urazy ciała.

⚠ OSTRZEŻENIE

Oznacza potencjalnie niebezpieczną sytuację, która, jeśli nie zostanie uniknięta, może spowodować śmierć lub poważne urazy ciała.

⚠ UWAGA

Oznacza potencjalnie niebezpieczną sytuację, która, jeśli nie zostanie uniknięta, może spowodować niewielkie lub umiarkowane urazy ciała.

UWAGA

(Bez symbolu bezpieczeństwa) Wskazuje na sytuację mogącą spowodować straty materialne.



Při konstrukci této dílenské brusky hrály hlavní roli bezpečnost, výkon a spolehlivost.

ZAMÝŠLENÉ POUŽITÍ

- Tato dílenská bruska je určena pro broušení a tvarování kovů. Tento výrobek je možné použít pro ostření ručních kovových nástrojů (např. dřáta, sekery, nože) a vrtacích bitů a odstraňování otřepů nebo ostrých hran.
- S vhodným příslušenstvím lze výrobek použít pro čištění kovových povrchů pomocí drátěného kartáče nebo pro broušení pomocí kola s hadrem.
- Výrobek nikdy nepoužívejte k řezání.

OBECNÁ BEZPEČNOSTNÍ VAROVÁNÍ K POHÁNĚNÝM NÁSTROJŮM

⚠ VAROVÁNÍ

Přečtěte si pozorně upozornění, pokyny a technické specifikace dodané s nářadím a prohlédněte si ilustrace. Nedodržení uvedených pokynů může způsobit požár, úraz elektrickým proudem a/nebo jiné vážné zranění.

Uchovejte si všechny pokyny a varování pro budoucí nahlédnutí. Termín „elektrické nářadí“ ve výstrahách odkazuje na elektrické nářadí napájené ze sítě (s kabelem) nebo na baterie (bez kabelu).

BEZPEČNOST PRACOVNÍ OBLASTI

- **Udržujte pracovní prostor čistý a dobře osvětlený.** Zaházené nebo tmavé oblasti vedou k nehodám.
- **Nepracujte s tímto elektrickým nástrojem ve výbušných prostředích, například v přítomnosti hořlavých kapalin, plynu nebo prachu.** Elektricky poháněné nástroje vytváří jiskry, které mohou zapálit prach nebo výpary.
- **Udržujte děti a přihlížející během práce s elektricky poháněným nástrojem stranou.** Rozptylování může způsobit ztrátu kontroly.

ELEKTRICKÁ BEZPEČNOST

- **Zástrčky elektricky poháněného nástroje musí být shodné s elektrickou zásuvkou.** Nepokoušejte se zástrčku jakýmkoliv způsobem upravovat. **Nepoužívejte žádný adaptér zástrček se zemněným (uzemněným) elektricky poháněným nástrojem.** Neupravené zástrčky a shodné zásuvky snižují nebezpečí elektrického úrazu.
- **Předcházejte tělesnému kontaktu s uzemněnými nebo zemněnými povrchy, například trubkami, radiátory, sporáky a lednicemi.** Je zde zvýšené nebezpečí zásahu elektrickým proudem, pokud je vaše tělo zemněno nebo uzemněno.
- **Nevystavujte elektrické nástroje dešti nebo vysoké vlhkosti.** Voda vnikající do elektricky poháněného nástroje zvyšuje nebezpečí elektrického úrazu.

- **Nepoškožujte napájecí kabel. Nikdy pro odpojování, táhnutí nebo přenášení elektricky poháněného nástroje nepoužívejte kabel. Udržujte kabel mimo horké plochy, olej, pohyblivé součásti nebo ostré hrany.** Poškozené nebo zamotané kabely zvyšují nebezpečí elektrického úrazu.
- **Pokud používáte elektricky poháněný nástroj ve venkovním prostředí, používejte prodlužovací kabel vhodný pro venkovní prostředí.** Použití kabelu vhodného pro venkovní prostředí snižuje nebezpečí elektrického úrazu.
- **Pokud používáte elektricky poháněný nástroj ve vlhkém prostředí, je nezbytné používat proudový chránič (PCH).** Použitím PCH snížíte nebezpečí poranění elektrickým proudem.

OSOBNÍ BEZPEČNOST

- **Buďte ve střehu, hlídejte, co děláte a používejte zdravý rozum při provozu tohoto výrobku. Nástroj nepoužívejte, pokud jste unaveni nebo pod vlivem drog, alkoholu nebo léků.** Chvilce nepozornosti při práci s tímto elektricky poháněným nástrojem může způsobit vážná poranění osob.
- **Používejte osobní ochranné pomůcky. Vždy noste ochranu očí.** Ochranné prostředky jako ochranná maska, protiskluzová bezpečnostní obuv, přilba a ochrana sluchu využívané podle podmínek sníží riziko úrazů.
- **Zabraňte náhodnému spuštění. Před připojením ke zdroji elektrického napětí, popř. vložením baterie, zvednutím nebo přenosem výrobku se vždy ujistěte, že je výrobek vypnutý.** Přenášení elektrického nářadí s prstem na spínači nebo připojování elektrického nářadí k napájení s vypínačem v poloze zapnuto zvyšuje riziko úrazů.
- **Odstraňte všechny seřizovací klíče nebo šroubováky, než zapnete elektricky poháněný nástroj.** Klíč nebo šroubovák ponechaný přiložený k pohyblivému dílu elektricky poháněného nástroje může způsobit poranění osob.
- **Nepřeceňujte se. Udržujte řádné postavení a rovnováhu po celou dobu práce.** Toto umožňuje lepší ovládnutí elektricky poháněného nástroje v neočekávaných situacích.
- **Správně se oblékejte. Nenoste volný oděv nebo šperky. Braňte styku vlasů a oděvu s pohyblivými částmi.** Volný oděv, šperky nebo dlouhé vlasy mohou být zachyceny do pohyblivých se částí.
- **Pokud je k dispozici zařízení na odtah a sběr prachu a pilin, zajistěte jeho správné připojení a používání.** Sběr prachu a pilin může snižovat s související nebezpečí.
- **Nenechte se ukolébat znalostmi získanými při častém používání nástrojů a neignorujte bezpečnostní pravidla.** Neopatrné zacházení může ve zlomku vteřiny způsobit vážný úraz.





POUŽITÍ A PÉČE O NÁSTROJ

- **Nepoužívejte nadměrnou sílu na nástroj.** Nářadí vybírejte podle povahy práce, kterou chcete provádět. Správný nástroj bude svou práci provádět lépe a bezpečněji při práci, pro kterou byl navržen.
- **Elektricky poháněný nástroj nepoužívejte, pokud spínač nezapíná a nevyplíná.** Každý elektricky poháněný nástroj, který nemůže být ovládnut spínačem, je nebezpečný a musí být opraven.
- **Před jakýmkoliv seřizováním, výměnou doplňků, vyjímáním baterie nebo ukládáním elektrického nářadí odpojte nejdříve zástrčku od zdroje napájení elektrického nářadí, popřípadě, podle provedení, vyjměte baterii.** Takováto preventivní opatření snižují riziko nechtěného spuštění výrobku.
- **Ukládejte nečinný elektricky poháněný nástroj mimo dosah dětí a nenechávejte neznámé osoby pracovat s elektricky poháněným nástrojem nebo s těmito pokyny k obsluze elektrického nástroje.** Elektricky poháněné nástroje jsou nebezpečné v rukou nequalifikovaných uživatelů.
- **Provádějte údržbu elektrického nářadí i příslušenství.** Zkontrolujte vychýlení nebo zasekávání pohybujících se částí, rozbité části a každé jiné podmínky, které mohou ovlivnit funkci nástrojů. Pokud je poškozen, musí být nástroj před použitím opraven. Mnoho úrazů je způsobeno nedostatečnou držbou nástrojů.
- **Řezné nástroje udržujte ostré a čisté.** U řádně udržovaných řezných nástrojů s ostrými břity je nižší pravděpodobnost drhnutí a snadněji se ovládají.
- **Výrobek, jeho příslušenství, díly apod. používejte podle tohoto návodu k obsluze a vezměte na vědomí pracovní podmínky a prováděný úkon.** Použití elektricky poháněného nástroje pro práce jiné, než zamýšlené by mohlo mít za následek nebezpečnou situaci.
- **Rukojeti a úchopy udržujte suché a čisté, bez oleje a tuků.** Kluzké rukojeti a úchopy brání bezpečné manipulaci a ovládání nářadí v neočekávaných situacích.

SERVIS

- **Váš elektricky poháněný nástroj smí opravovat pouze kvalifikovaný opravárenský pracovník a musí používat pouze shodné náhradní díly.** Toto zajišťuje, že bezpečnost elektrického nástroje je udržována.

BEZPEČNOSTNÍ VAROVÁNÍ DÍLENSKÉ BRUSKY

- **Vždy jako obsluha noste ochranu sluchu a respirátor.**
- **Používejte chrániče sluchu.** Působením hluku může dojít k poškození sluchu.
- **Tato bruska není vhodná k broušení namakro.**
- **Nepoužívejte poškozené příslušenství.** Pře každým použitím, zkontrolujte, zda nevykazuje

příslušenství, například brusné kotouče, odštipnutí nebo praskliny. Po provedení kontroly stavu příslušenství a po jeho nasazení na nářadí se postavte do bezpečné vzdálenosti a počkejte, dokud nářadí nedosáhne své maximální rychlosti. **Nechte nářadí běžet na maximální otáčky zhruba po dobu jedné minuty.** Pokud je příslušenství poškozené, během této zkoušky dojde k jeho rozbití.

- **Jmenovitá rychlost příslušenství musí být stejná nebo vyšší než je maximální rychlost uvedená na nářadí.** Příslušenství, které pracuje vyšší rychlostí, než je jeho jmenovitá rychlost, se může rozlomit a vymrstit z nářadí.
- **Nikdy nebruste na boku brusného kotouče.** Broušení na boku může způsobit odmrštění odlomené části brusného kotouče.
- **Zástrčka se smí zasouvat pouze do zásuvky, která je správně nainstalována a uzemněna v souladu se všemi místními zákony a pravidly.** Pokud si nejste jistí, nechejte certifikovaného elektrikáře zkontrolovat zásuvku.
- **Výrobek před provozem upevněte na pracovní lavici, do brusného stojanu nebo pevného rámu.** Nebezpečný výrobek je nestabilní a může se během provozu pohnout. Díky tomu se může poškodit nebo způsobit zranění.
- **Poskytněte vhodné prostorové či bodové osvětlení, aby se zabránilo stroboskopickému efektu a nebezpečím.**
- **Brusku vždy používejte s osazením obou vřeten brusnými kotouči za účelem snížení rizika styku s otáčejícím se vřetenem.**
- **Podle požadavků na dané příslušenství vždy používejte ochranné kryty, opěrky, chránička očí a lapače jisker.**
- **Opěrky seřizujte tak, aby úhel mezi opěrkou a tečnou brusného kotouče byl vždy větší než 85°.**
- **Před samotným provozem zkontrolujte komponenty a jakékoliv příslušenství k výrobku, abyste zajistili, že nenastanou situace, které by mohly ovlivnit správné fungování.** Utáhněte uchyvací šrouby brusného kotouče, bezpečnostní šrouby a všechny svorky a pojistky.
- **Před každým spuštěním zkontrolujte zda brusný kotouč není poškozený.** Nepoužívejte poškozené kotouče nebo s podivným tvarem. Jakýkoliv poškozený kotouč vyměňte dle pokynů.
- **Před každým spuštěním zkontrolujte, že se kotouč otáčí volně.** Při výrobku vypojeném z elektrické zásuvky a hlavním vypínači v poloze OFF opatrně protočte kotoučem rukou. Kotouč se nesmí dotýkat žádných komponent brusky a nesmí existovat žádné uchycení nebo zábrana, která by mohla ovlivnit provoz.
- **Při každém spuštění stůjíte od výrobku na straně a stisknete spínač na ON.** Ponechte brusku v plném provozu po dobu jedné minuty tak, že jakékoliv neobjevené chyby nebo praskliny kotouče se projeví. Dokud výrobek nedosáhne plné rychlosti neuvádějte jej do kontaktu s opracovávaným předmětem.



- Ruce i jiné části těla udržujte mimo dosah brusného kotouče. Kontakt s rotujícím kotoučem může způsobit zranění.
- Vždy používejte ochranné kryty a chránička očí. Mějte chrániče na svém místě a udržujte je v provozuschopném stavu. Provoz bez chráničů nebo s poškozenými chrániči může způsobit zranění.
- Vyhnete se spáleninám. Broušení může způsobit, že předměty a brusnou kotouče se velmi zahřejí. Nedotýkejte se brusného kotouče nebo potenciálně horkých předmětů.
- Výrobek nepoužívejte pro práci s malými předměty nebo s předměty, které nelze správně uchytit. Předmět může být vymrštěn a způsobit zranění.
- Nikdy nebruste na straně kotouče. Kotouč se bude otřásat. Vždy bruste pouze hranou kotouče.
- Nikdy nenechávejte činný nástroj bez dozoru. Vypněte nástroj. Vlivem setrvačnosti se kotouč ještě chvilku otáčí i po vypnutí nářadí. Neodcházejte od nástroje, dokud se zcela nezastaví.
- Nikdy nesahejte pod nebo za brusný kotouč.
- Při dlouhodobém používání používejte ochranu uší - špunty nebo sluchátka.
- Odstraňte napájecí zástrčku ze zásuvky, než provedete jakákoliv nastavení, opravy nebo údržbu. Napájení musí zůstat odpojené, kdykoliv budete provádět údržbu.
- Opěrky a lapače jisker seřizujte často, aby bylo kompenzováno opotřebení brusných kotoučů.
- Kdykoliv to je nutné, seřídte opěrky tak, aby byla vzdálenost mezi opěrkami a brusnými kotouči co nejmenší. Tato vzdálenost by měla být maximálně 2 mm. Když se bude při používání poloměr brusného kotouče zmenšovat, udržujte jejich maximální vzdálenost úpravou vymezení.
- Kdykoliv to bude nutné, upravte pohlcovače jisker, aby byla vzdálenost mezi nimi a brusnými kotouči co nejmenší. Tato vzdálenost by měla být maximálně 2 mm. Když se bude při používání poloměr brusného kotouče zmenšovat, udržujte jejich maximální vzdálenost úpravou vymezení.
- Když již nelze udržet vzdálenost 2 mm mezi opotřebovaným brusným kotoučem a lapačem jisker / opěrkou, brusný kotouč vyměňte.
- Jestliže se opotřebí nebo poškodí lapač jisker nebo opěrka, nahraďte je shodným dílem z pověřeného servisního střediska.
- Při osazování nového brusného kotouče vždy zkontrolujte, zda uvedená maximální otáčky za minutu (RPM) jsou shodné nebo vyšší než uvedení na výrobku. Ujistěte se, že velikost brusného kotouče splňuje minimální požadavky. Také zkontrolujte, zda se v novém kotouči nenachází chyby nebo praskliny.

BEZPEČNOSTNÍ POKYNY PRO BRUSNÝ KOTOUČ**⚠ VAROVÁNÍ**

Pro minimalizaci rizika zranění si uživatel musí přečíst a splňovat pokyny, varování a provozní příručku než začne používat brusný kotouč. Nedodržení tohoto varování může způsobit zlomení kotouče a vážné osobní poranění. Uchovejte si tyto pokyny.

- Použití jiného brusného kotouče než doporučeného v provozní příručce k zařízení může představovat riziko zranění osob. Používejte pouze kotouče se stejnou nebo vyšší rychlostí než je uvedena na přístroji.
- Nikdy nepoužívejte řezný kotouč, který je příliš silný, příruba kotouče by jej pak nezajistila k ploše vřeten. Větší kotouče by přišly do kontaktu s krytem kotouče, zatímco silnější kotouče budou bránit šroubu v zajištění kotouče na vřeten. Kterákoliv událost by mohla vést k vážné nehodě a může způsobit vážný úraz.
- Tento kotouč je na broušení a tvarování kovu. Nepokoušejte se s ním řezat.
- Tento brusný kotouč je vhodný pouze pro suché broušení.
- Nepoužívejte poškozené brusné kotouče, nepoužívejte brusné kotouče s vrypem, prasklinou nebo s jinou vadou.
- Před použitím se ujistěte, že abrazivní brusný kotouč je správně uchycen a připevněn.
- Při montáži nebo odstraňování brusných kotoučů nesmí nikdy přístroj být v provozu.
- Opatrně uchovávejte vaše brusné kotouče.
 - Je-li to možné uchovávejte kotouč v původním balení.
 - Kotouč uchovávejte v suchu při pokojové teplotě.
 - Kotouče je možné na polici skladovat vertikálně.
 - Zabraňte jejich pádu nebo aby na ně něco dopadlo.

Informace jsou k dispozici v tabulce brusných kotoučů

Informace na štítku brusného kotouče je důležitá. Přečtěte si ji a zkontrolujte, abyste si byli jisti, že vybíráte správný typ kotouče.

1. výrobce, dodavatel, importér či obchodní značka
2. Nominální rozměry brusného kotouče, především vnitřní průměr.
3. Abrazivní typ, velikost zrna, třída nebo tvrdost, typ vazby a použití výztuže.
4. Maximální provozní rychlost v metrech za sekundu.
5. maximální přípustná rychlost v otáčkách za 1/min
6. V prohlášení o shodě by abrazivní výrobky měly být označeny normou EN 12413.
7. omezení použití a symboly bezpečnostních varování
8. kód výsledovatelnosti, například číslo produkce/dávky, číslo série



**Brusný kotouč může být nutné vyměnit za kterýkoliv z následujících okolností.**

1. Pokud je čelo brusného kotouče opotřebeno nerovnoměrně, vzniknou v něm drážky nebo již není hladké a rovné.
2. Pokud již není obvod brusného kotouče kulatý.
3. Pokud je povrch brusného kotouče zanesený a ztupený materiálem z obrobku.
4. Pokud je jakkoliv patrné poškození brusného kotouče.
5. Pokud je již obtížné brusný kotouč používat.
6. Pokud nelze nastavit vzdálenost opěrky / lapače jisker do 2 mm od povrchu brusného kotouče.
7. Poloměr kotouče je větší než poloměr příruby o 1 cm nebo méně. Viz tipy na straně 147.

ZBYTKOVÁ RIZIKA

Dokonce, i když se výrobek provozuje jak je předepsáno, je stále nemožné zcela eliminovat veškeré zbytkové rizikové faktory. Následující nebezpečí mohou nastat při používání; vyhýbejte se:

- Riziko kontaktu nechráněných částí s rotujícím kotoučem.
- Riziko spálení při kontaktu s horkým kotoučem.
- Poškození plic, pokud se nenosí účinný respirátor.
- Poškození sluchu, pokud se nenosí účinná ochrana sluchu.

SEZNAMTE SE S VÝROBKEM

Viz strana 141.

1. Chráničko očí x 2
2. Pohlcovač jisker x 2
3. Kryt kotouče x 2
4. Brusný kotouč x 2
5. Pracovní podložka x 2
6. Spínač On/Off (Zapnuto/Vypnuto)
7. Montážní otvor x 4
8. Zamykací knoflík pracovní podložky x 2

ÚDRŽBA

- Nepoužívejte s výrobkem příslušenství nebo doplňky, jež nejsou schváleny výrobcem. Vaše bezpečnost i bezpečnost osob, které se nacházejí v blízkosti, může být ohrožena.
- Nepoužívejte výrobek, pokud nějaké přepínače, kryty nebo jiné funkce nefungují tak, jak bylo zamýšleno. Odevzdejte nejbližšímu servisnímu středisku k profesionální opravě.
- Při běhu výrobku neprovádějte žádné úpravy.
- Vždy zajistěte, aby byla zástrčka stroje odpojena od zdroje napájení před provedením úprav, mazání nebo při provádění údržby na výrobku.
- Před každým použitím zkontrolujte výrobek na poškození nebo zničené části. Udržujte výrobek ve špičkovém provozním stavu neprodlenou výměnou dílů za náhradní díly schválené výrobcem.

- Vyčistěte nahromaděný prach pomocí štětce nebo vysavače. Nepoužívejte stlačený vzduch.
- Pro lepší bezpečnost a bezporuchovost by mělo všechny opravy, včetně výměny kartáčů, provádět pověřené autorizované servisní středisko.
- Pokud je napájecí kabel poškozen, je nutné ho nechat bez prodení vyměnit v autorizované opravě. Jinak se vystavujete nebezpečí úrazu elektrickým proudem.

VAROVÁNÍ

Z bezpečnostních důvodů a pro zajištění spolehlivosti nářadí musí být veškeré opravy prováděny v autorizované servisní opravě výrobků RYOBI.

PŘEPRAVA A SKLADOVÁNÍ

- Při skladování výrobku, odpojte napájecí kabel.
- Brusku čistěte pomocí smetáčku a vysavače.
- Brusku vždy zdvihněte a přenášejte podle pokynů v této uživatelské příručce.
- Brusku chraňte před silnými nárazy nebo vibracemi, ke kterým může dojít během přepravy ve vozidle.
- Brusku zajistěte proti posouvání a překlopení.
- Brusku a její příslušenství skladujte na suchém a bezpečném místě bez přístupu dětí.
- Pro skladování brusky doporučujeme jako ochranu proti prachu použít její původní obal.

OCHRANA ŽIVOTNÍHO PROSTŘEDÍ

V rámci možností neodhazujte vysloužilé nářadí do domovního odpadu a upřednostněte jeho recyklaci. V souladu s předpisy na ochranu životního prostředí odkládejte vysloužilé nářadí, příslušenství i obalový materiál do tříděného odpadu.

SYMBOLY NA VÝROBKU

Bezpečnostní výstraha



Před použitím přístroje si prosím řádně přečtěte tyto pokyny.



Shoda CE



Euroasijská značka shody



Ukrajinská značka shody

001



Noste ochranu sluchu



Noste ochranu očí



Nevhodné pro vlhké broušení a řezání



Nepoužívejte kotouč s prasklinami, ořepy nebo vadami



Požívejte ochranné rukavice



Směr otáčení brusného kotouče (označení na kotouči)



Směr otáčení brusného kotouče (označení na ochranném krytu kotouče)



Odpad elektrických výrobků se nesmí likvidovat v domovním odpadu. Recyklujte prosím na sběrných místech. Ptejte se u místních úřadů nebo prodejce na postup při recyklaci.

SYMBOLY POUŽITÉ V NÁVODU

Zapojte do přístroje.



Odpojte nástroj.



Díly nebo příslušenství jsou v prodeji samostatně

Následující signální slova a významy jsou vhodné pro vysvětlení úrovně nebezpečí spojených s tímto výrobkem.

⚠ NEBEZPEČÍ

Upozorňuje na bezprostředně nebezpečnou situaci, která vede k usmrcení nebo těžkému zranění.

⚠ VAROVÁNÍ

Upozorňuje na možnou nebezpečnou situaci, která by mohla vést ke smrtelnému úrazu nebo k závažnému zranění.

⚠ POZOR

Upozorňuje na možnou nebezpečnou situaci, která může vést k menšímu nebo lehkému zranění.

POZOR

(Bez bezpečnostního výstražného symbolu) Určuje situaci, která může mít za následek vážné poškození.



Az asztali köszörgőgép tervezése során elsődleges szempont volt a biztonság, a teljesítmény és a megbízhatóság.

RENDELTETÉSSZERŰ HASZNÁLAT

- Az asztalisköszörgőgép fémköszörlésére és profilozására használható. A termék fém kéziszerszámok (pl. vésők, fejszék, kések) és fűrószárak élezésére, valamint sorja vagy éles szegélyek leszedésére használható.
- Megfelelő kiegészítővel a termék egyéb célokra is használható: drótkéfével fémfelületek tisztítására, illetve posztótárcsával polírozásra és fényezésre.
- A terméket ne használja vágásra.

ÁLTALÁNOS BIZTONSÁGI ELŐÍRÁSOK

⚠ FIGYELEM

Figyelmesen olvassa el az ehhez a szerszámmal mellékelt összes figyelmeztetést, utasítást és műszaki adatokat, valamint tanulmányozza az ábrákat is. Az alább részletezett előírások be nem tartása olyan baleseteket okozhat, mint pl. tűz, áramütés és/vagy súlyos testi sérülések.

A jövőbeli felhasználásra őrizze meg az összes figyelmeztetést és útmutatót. A figyelmeztetéseken a „nagy teljesítményű eszköz” a hálózatról működtetett (vezetékes) gépére vagy az akkumulátorral üzemelő (vezeték nélküli) gépére utal.

A MUNKATERÜLET BIZTONSÁGA

- A munkaterületet tartsa tisztán és jól megvilágítva. A rendetlen vagy sötét munkaterületek balesetekhez vezethetnek.
- Az elektromos szerszámgepeket ne működtesse robbanásveszélyes környezetben, mint például robbanásveszélyes folyadékok, gázok vagy porok jelenlétében. Az elektromos készülékekben szikrák keletkeznek, amik begyűjthetik a port vagy a gőzöket.
- Az elektromos szerszámgep használatakor a gyerekeket és a kívülállókat tartsa távol. A figyelem elterelődése az irányítás elvesztését okozhatja.

ELEKTROMOS BIZTONSÁG

- Az elektromos szerszám dugaszának egyeznie kell az aljzattal. Semmilyen módon ne módosítsa a dugaszt. A földelt elektromos szerszámokhoz ne használjon csatlakozó adaptert. A nem módosított és illeszkedő dugasz csökkenti az áramütés kockázatát.
- Kerülje az érintkezést földelt felületekkel, mint például csövekkel, radiátorokkal és hűtőkkel. Megnöveli az áramütés kockázatát, ha a teste földeltté válik.
- Ne tegye ki az elektromos szerszámokat esőnek vagy nedves környezetnek. Az elektromos gépekbe kerülő víz növeli az áramütés kockázatát.

- Ne rongálja meg a kábelt. Az elektromos szerszám kábelét soha ne használja a szerszám hordozására, húzására vagy kihúzására. Tartsa távol a kábelt hőforrásoktól, olajtól, éles szélektől és mozgó alkatrészekről. Sérült vagy beakadt kábelek növelik az áramütés kockázatát.
- Elektromos szerszám szabadtéri működtetésekor egy kültéri használatra is megfelelő hosszabbító kábelt használjon. Kültéri használatra megfelelő hosszabbító kábel csökkenti az áramütés kockázatát.
- Ha a szerszámgep használata nedves környezetben elkerülhetetlen, használjon áram-védőkacsolót (RCD). Az RCD használata csökkenti az áramütés kockázatát.

SZEMÉLYI BIZTONSÁG

- A szerszám használatakor legyen éber, figyeljen arra, amit csinál, és használja az összes érzékszervét. Ne használja a gépet, ha fáradt, illetve ha alkohol, gyógyszer vagy tudatmódosító szerek hatása alatt áll. A szerszámgepek használata közben már egyetlen figyelmen kívül hagyás is súlyos személyi sérüléshez vezethet.
- Viseljen személyi védőfelszerelést. Mindig viseljen védőszemüveget. Az adott feltételekhez használt védőfelszerelés, például porvédő maszk, csúszásmentes biztonsági cipő, védősisak vagy hallásvédő, csökkenti a személyi sérüléseket.
- Kerülje el a véletlen bekapcsolást. A termék felvétele, szállítása, tápellátáshoz/akkucsomaghoz csatlakoztatása előtt győződjön meg arról, hogy a kapcsoló kikapcsolt helyzetben van. Baleseteket okozhat, ha az ujjával a kapcsolón nagy teljesítményű gépeket szállít, vagy ezeket bekapcsolva áram alá helyezi.
- A szerszámgepről bekapcsolás előtt távolítson el minden beállító kulcsot és csavarkulcsot. Egy a szerszámgep forgó alkatrészén maradt beállító kulcs vagy csavarkulcs személyi sérülést eredményezhet.
- Ne hajoljon ki túlságosan. Mindig tartson megfelelő testtartást és egyensúlyt. Ez a szerszámgep jobb irányítását teszi lehetővé váratlan szituációkban.
- Viseljen megfelelő ruházatot. Ne vegyen fel laza ruhát vagy ékszereket. A haját és a ruházatát tartsa távol a mozgó alkatrészekről. A laza ruházat és ékszerek vagy a hosszú haj beakadhatnak a mozgó alkatrészekbe.
- Ha porelvezető vagy -gyűjtő tartozékok csatlakoztatásához szolgáló eszközökkel rendelkezik, akkor biztosítsa ezek csatlakoztatását és megfelelő használatát. A porelvezetés használata csökkentheti a porhoz kapcsolódó veszélyeket.
- Ne töltse el elégedettséggel az, hogy a gyakori eszközhasználatból kellő jártasságot szerzett, és ne hagyja figyelmen kívül az eszköz biztonsági alapelveit. A gondatlan cselekvés súlyos sérülést okozhat a másodperc tört része alatt.



A SZERSZÁMGÉP HASZNÁLATA ÉS KARBANTARTÁSA

- Ne erőltesse a gépet. A feladathoz a megfelelő terméket használja. A megfelelő termék jobb teljesítménnyel és biztonságosabban fog dolgozni olyan fordulatszámra, amilyenekre azt tervezték.
- Ne használja a szerszámgépet, ha a kapcsoló nem kapcsol be és ki. Bármilyen szerszám gép veszélyes, amit a kapcsolóval nem lehet irányítani. Azt meg kell javítani.
- Mielőtt beállítást végezne, tartozékokat cserélne vagy a nagy teljesítményű gépet eltárolná, húzza ki a csatlakozódugót a konnektorból és/vagy vegye ki az akkumulátort, ha eltávolítható. Az ilyen megelőző biztonsági intézkedések csökkentik a termék véletlen elindításának veszélyét.
- A használaton kívüli készüléket gyerekek számára nem elérhető helyen tárolja, és ne hagyja, hogy a szerszámgépet vagy a kézikönyvet nem ismerő személyek használják a szerszámgépet. Gyakorlatlan felhasználók kezében a szerszámgépek veszélyesek.
- Végezze el a nagy teljesítményű gépek és a tartozékok karbantartását. Ellenőrizze a mozgó alkatrészek akadását vagy helytelen beállítását, az alkatrészek törését és minden más körülményt, ami hatással lehet a gép működésére. Ha sérült, a szerszámot az újbóli használat előtt meg kell javítani. A rosszul karbantartott szerszámok sok balesetet okoznak.
- A vágóeszközöket tartsa élesen és tisztán. A megfelelően karbantartott, éles vágóélel rendelkező vágóeszközök kevésbé akadnak el, és egyszerűbben irányíthatók.
- A terméket, tartozékokat és szerszámfejeket stb. ezen útmutatónak megfelelően használja a munkakörülmények és a végrehajtandó munka figyelembe vételével. A szerszám gép rendeltetésétől eltérő műveletekre való használata veszélyes helyzeteket eredményezhet.
- A markolatokat és a fogófelületeket tartsa szárazon, tisztán és ne legyenek zsírosak, olajosak. A csúszós markolatokkal és fogófelületekkel váratlan helyzetekben az eszköz kezelése és irányítása nem biztonságos.

SZERVIZELÉS

- A szerszámgépet csak szakképzett szervizszakemberrel szervizeltesse, csak azonos cserealkatrészeket használva. Ez biztosítja, hogy a szerszám gép használata továbbra is biztonságos legyen.

BIZTONSÁGI FIGYELMEZTETÉSEK AZ ASZTALI KÖSZÖRÜGÉPHEZ

- Mindig viseljen védőszemüveget és pormaszkot.
- Viseljen hallásvédőt. A fokozott zajhatás hosszú

távon a hallás elvesztését eredményezheti.

- Ez a termék nem alkalmas nedves köszörlésre.
- Ne használjon sérült tartozékokat. Minden használat előtt vizsgálja meg a tartozékokat, pl. a csiszolókorongokat, hogy nincs-e rajtuk forgács vagy repedés. Miután ellenőrizte, hogy a tartozék jó állapotban van, és felszerelte / felhelyezte azt, akkor helyezkedjen el biztonságos távolságban a mozgó tartozéktól és hagyja hogy a szerszám egy percig maximális fordulatszámra működjön. Ha a tartozék sérült, akkor el fog törni e teszt során.
- A tartozék névleges sebessége (fordulatszáma) nagyobb vagy egyenlő kell hogy legyen, mint a szerszámon jelölt maximális sebesség (fordulatszám). A saját névleges sebességüknél nagyobb sebességen üzemelő tartozékok eltörhetnek és kidobódhatnak / kirepülhetnek a szerszámból.
- A köszörlőkorong oldalain soha ne köszörljön. Ha a korong oldalán köszörl, az eltörhet, és a darabjai elrepülhetnek.
- A dugaszt egy megfelelően felszerelt és földelt aljzathoz kell csatlakoztatni, a helyi előírásokat és rendeleteket szem előtt tartva. Kétség esetén kérjen meg egy képzett villanyszerelőt, hogy ellenőrizze a dugaszolóaljzatot.
- A terméket működtetés előtt erősen rögzítse munkapadra, csiszolóállványra vagy más szilárd állványra. Ha a terméket nem rögzíti, nem áll stabilan, és működés közben elmozdulhat. Ez anyagi kárhoz vagy sérüléshez vezethet.
- Biztosítson megfelelő általános vagy helyi világítást, hogy elkerülje a stroboszkóp hatást és a veszélyeket.
- Mindig úgy használja a terméket, hogy a köszörlőkorong mindkét tengelyre rögzítve legyen, és ezáltal korlátozza annak a forgó tengelyekkel való érintkezését.
- Mindig használja a tartozék(ok)hoz a szükséges védőelemeket, munkadarabtartókat, átlátszó arcvédőket és szikrafogókat.
- Mindig úgy állítsa be a munkadarabtartót, hogy az és a köszörlőkorong érintkezője közötti szög mindig nagyobb legyen 85°-nál.
- Működtetés előtt vizsgálja meg a termék alkatrészeit és kiegészítőit, hogy nincs-e a megfelelő működést akadályozó valamilyen probléma. Húzza meg a csiszolókorong záróanyáit, rögzítőcsavarjait, valamint minden szorítót és védőelemet.
- Indítás előtt mindig ellenőrizze le, nem sérült-e meg a csiszolókorong. De használjon sérült vagy deformálódott korongot. A sérült csiszolókorongot az utasításoknak megfelelően cserélje ki.
- Indítás előtt mindig ellenőrizze, hogy a korong szabadon forog-e. A termék ne legyen bedugva az elektromos aljzatba és a kapcsoló legyen KI állásban. Kézzel figyelmesen forgassa el a korongot. A korong nem érhet hozzá az asztali köszörlőgép egyetlen alkatrészéhez sem, és nem akadhat, illetve semmilyen más, a megfelelő működtetést akadályozó állapot nem





állhat fenn.

- Indításkor álljon a termék valamelyik oldalára és kapcsolja BE. Teljes sebességen működtesse a köszörűgépet egy percig, hogy ha van a korongban bármilyen hiba vagy repedés, melyet esetleg nem észlelt, az észrevehetővé váljon. Addig ne érintse hozzá a munkadarabot a koronghoz, míg a termék el nem érte a teljes sebességet.
- Ügyeljen, hogy a keze és egyéb testrészei ne érjenek hozzá a köszörűkorongokhoz. Ha hozzáér a forgó koronghoz, ez sérülést okozhat.
- Mindig használja a védőelemeket és az átlátszó arcvédőket. A védőberendezések legyenek a helyükön, működő állapotban. Ha a terméket védőelemek nélkül vagy sérült védőelemekkel működteti, ez sérülést okozhat.
- Vigyázzon, hogy meg ne égesse magát. Készülék közben a munkadarab és a köszörűkorong felforrósodhat. Ne érintse meg a köszörűkorongot és a munkadarabot, mert ezek forrók lehetnek.
- Ne használja a terméket kis munkadarabokon vagy olyan munkadarabokon, melyeket nem lehet megfelelően rögzíteni. A munkadarab elrepülhet, ami sérülést okozhat.
- A korong oldalán ne készüdjön. Ettől a korong szétrobban. Csak a korong felszínén készüdjön.
- Soha ne hagyja felügyelet nélkül a működő gépet. Kapcsolja ki a gépet. A sarokcsiszoló kikapcsolása után a korong még lendületből forog pár másodpercig. Ne hagyja ott a gépet, amíg az teljesen meg nem állt.
- Soha ne nyúljon a köszörűkorongok mögé vagy alá.
- Ha hosszú ideig használja a berendezést, használjon fülvédő eszközt, például fül dugót vagy fülvédőt.
- Bármilyen beállítás, szervizelés vagy karbantartás előtt húzza ki a dugaszt a hálózatból. A termék karbantartása előtt a tápkábelt húzza ki.
- Gyakran állítsa be a munkadarabtartókat és a szikrafogókat, hogy kompenzálja a köszörűkorongok kopását.
- Szükség esetén állítsa be a munkadarabtartókat, hogy azok és a köszörűkorongok között a lehető legkisebb távolság legyen. Ez a távolság legfeljebb 2 mm legyen. Ahogy a köszörűkorong átmérője a használat során csökken, tartsa fenn a maximális munkadarabtartó-távolságot.
- Szükség esetén állítsa be a szikrafogókat, hogy a szikrafogók és a köszörűkorongok között a lehető legkisebb távolság legyen. Ez a távolság legfeljebb 2 mm legyen. Ahogy a köszörűkorong átmérője a használat során csökken, állítsa be újra a legnagyobb szikrafogó-távolságot.
- Cserélje ki a kopott korongot, amikor már nem tartható fenn 2 mm távolság a szikrafogó/munkadarabtartó és a korong között.
- Ha a szikrafogó vagy a munkadarabtartó elkopik vagy

megsérül, cserélje ki a hivatalos szervizközpontból beszerzett azonos cseredarabbal.

- Ha új csiszolókorongot szerel fel, mindig ellenőrizze, hogy a koronghoz feltüntetett fordulatszám/perc érték eléri vagy meghaladja a termékhez feltüntetett értéket. Ellenőrizze, hogy a korong átmérője és a főtengely mérete megfelel a műszaki előírásoknak. Azt is ellenőrizze, hogy az új korong nem sérült-e, nincsenek-e rajta hibák vagy repedések.

BIZTONSÁGI ELŐÍRÁSOK KÖSZÖRŰKORONGOKHOZ

▲ FIGYELEM

A sérülésveszély csökkentésére a felhasználó csak akkor kezdje meg a köszörűkorong használatát, ha elolvasta és betartja az utasításokat, figyelmeztetéseket és a felhasználói kézikönyvben foglaltakat. Ezen figyelmeztetések figyelmen kívül hagyása a tárcsa törését és súlyos személyi sérülést eredményezhet. Őrizze meg ezt az útmutatót.

- Ha a gép kézikönyvében ajánlottól eltérő korongot használ, ez személyi sérülés veszélyét okozhatja. Csak olyan köszörűkorongot használjon, amelyen a feltüntetett sebesség eléri vagy meghaladja a gépen feltüntetett sebességet.
- Ne használjon olyan tárcsát, amelyik elég vastag ahhoz, hogy a külső pereme beakadjon a tengely lapos részébe. A nagyobb méretű tárcsák érintkezhetnek a tárcsavédőkkel, a vastagabb tárcsák pedig megakadályozhatják a csavar felcsavarását a tengelyre. Ezen okok bármelyike súlyos balesetet eredményezhet, és súlyos személyi sérülést okozhat.
- A korong fém köszörülésére és profilozására használható. Ne próbáljon vele vágni.
- A köszörűkorong csak száraz köszörülésre alkalmas.
- Ne használjon sérült, csorba, repedt vagy más módon hibás köszörűkorongot.
- Használat előtt bizonyosodjon meg arról, hogy a csiszoló-köszörűkorongot megfelelően felszerelte és rögzítette.
- A gép ne legyen áram alatt, ha köszörűkorongot szerel fel vagy le.
- A tartalék köszörűkorongot gondosan tárolja.
 - A korongot lehetőleg tartsa az eredeti csomagolásban.
 - A korongot száraz, szobahőmérsékletű helyen tárolja.
 - A korongokat függőleges helyzetben, polcon is tárolhatja.
 - Ügyeljen, hogy a korongok ne essenek le, illetve ne érje őket erős ütés.



**A köszőrükorong címkéjén található információk**

A korong címkéjén fontos információk találhatóak. Gondosan olvassa el és ellenőrizze, hogy a megfelelő fajtájú korongot választotta ki.

1. gyártó, szállító, importőr és védjegy
2. A köszőrükorong névleges méretei, különösen a furat átmérője.
3. A csiszolóanyag fajtája, szemcsemérete, besorolása vagy keménysége, a kötés fajtája és hogy tartalmaz-e erősítőanyagot.
4. Legnagyobb működtetési sebesség méter per másodpercben.
5. maximális megengedett fordulatszám, 1/perc
6. A megfelelőségi nyilatkozathoz a csiszolásra alkalmas termékeket EN 12413 jelöléssel kell ellátni.
7. használat korlátozása és biztonsági figyelmeztetés szimbólumok
8. nyomon követhetőségi kód, pl. gyártási/kötegszám, sorozatszám

A korong az alábbi körülmények esetén cserére szorulhat.

1. Ha a köszőrükorong oldala egyenetlenül kopik, barázdák keletkeznek rajta, vagy már nem egyenes és sima.
2. Ha a köszőrükorong alakja már nem kerek.
3. Ha a korong felülete megtelik a munkadarab anyagával és eltömpül.
4. Ha bármilyen sérülés jelét tapasztalja.
5. Ha már nehéz dolgozni vele.
6. Ha a munkadarabtartót/szikrafogót már nem lehet legfeljebb 2 mm távolságra állítani a korong felületétől.
7. Ha a korong már kevesebb mint 1 cm-nyire lóg túl a peremen. Tekintse meg a tippeket a 147. oldalon.

VISSZAMARADÓ KOCKÁZATOK

Még a termék rendeltetésszerű használata esetén sem lehet teljesen kiküszöbölni minden kockázati tényezőt. A gép használata során a következő veszélyek merülhetnek fel, és a kezelőnek különösen oda kell figyelnie az alábbiak elkerülésére:

- Közvetlen kapcsolat veszélye a korong szabadon álló részeivel.
- Égési veszély a forró koronggal vagy munkadarabbal való érintkezés miatt.
- A légzőrendszer károsodása léphet fel, ha nem viselnek hatékony pormaszkot.
- Halláskárosodás a fül viseletének elmulasztása miatt.

ISMERJE MEG A TERMÉKET

141. oldal.

1. Átlátszó arcvédő x 2
2. Szikrafogó x 2
3. Tárcsavédő x 2
4. Csiszolókorong (tárca) x 2
5. Munkadarab-tartó x 2

6. Be/ki kapcsoló
7. Rögzítőfurat x 4
8. Munkadarab-tartó rögzítőgombja x 2

KARBANTARTÁS

- Semmilyen módon ne módosítsa a terméket, és ne használjon a gyártó által nem jóváhagyott tartozékokat. Az Ön és mások biztonsága veszélybe kerülhet.
- Ne használja a terméket, ha valamelyik kapcsoló, védőburkolat vagy egyéb funkció nem rendeltetésszerűen működik. Szakszerű javításhoz vigye a gépet egy hivatalos szervizközpontba.
- A termék üzemelése közben ne végezzen beállításokat.
- A terméken végrehajtott beállítások, kenés vagy karbantartás előtt mindig ellenőrizze, hogy a dugasz jól húzva a hálózatból.
- Károsodás vagy törött alkatrészek tekintetében minden egyes használat előtt ellenőrizze a terméket. Tartsa a terméket kiváló működési állapotban, azonnal cserélje le az alkatrészeket a gyártó által biztosított cserealkatrészekre.
- Egy kefével vagy porszívóval tisztítsa ki a felgyülemltet port. Ne használjon sűrített levegőt.
- A biztonság és megbízhatóság érdekében minden javítást, beleértve a kefék cseréjét is, hivatalos szervizközpontban kell elvégeztetni.
- Ha a hálózati tápvezeték megrongálódott, a balesetveszély elkerülése érdekében cseréltesse ki egy hivatalos (szerződött) Szerviz Központban.

▲ FIGYELEM

A nagyobb biztonság és megbízhatóság érdekében minden javítást hivatalos RYOBI szervizközpontban kell elvégeztetni.

SZÁLLÍTÁS ÉS TÁROLÁS

- A termék tárolásakor húzza ki a tápkábel.
- Tisztítsa meg a terméket kefével és porszívóval.
- Mindig a használati utasítás alapján szállítsa és emelje a terméket.
- Védje meg a terméket a nagy ütésektől vagy erős rezgésektől, amelyek a járműveken való szállítás során bekövetkezhetnek.
- A terméket rögzítve akadályozza meg annak elcsúszását vagy leesését.
- A terméket és annak tartozékait száraz, biztonságos helyen tárolja, amely gyermekek számára nem hozzáférhető.
- A tároláshoz érdemes az eredeti csomagolást használni, hogy megvédje a terméket a portól.



**KÖRNYEZETVÉDELEM**

Segítse elő az alapanyagok újrahasznosítását azzal, hogy nem helyezi el őket a háztartási szemétkosárba. Környezetvédelmi megfontolásból az elhasznált gépet és tartozékokat, valamint a csomagolóanyagokat szelektív módon kell gyűjteni.

SZIMBÓLUMOK A TERMÉKEN

Biztonsági figyelmeztetés



Kérjük, olvassa át gondosan ezt az útmutatót a termék beindítása előtt.



CE megfelelés



Eurázsiai megfelelési jelzés.



Ukrainai megfelelési nyilatkozat



Viseljen fülvédőt



Viseljen szemvédőt



Nem használható nedves csiszolásra és vágásra



Ne használjon kicsorbult, repedt vagy hibás csiszolókorongot



Viseljen védőkesztyűt



Korong forgási iránya (a korong címkéjén látható)



Korong forgási iránya (a korong védőelemén látható)



A kiselejtezett elektromos termékeket nem szabad a háztartási hulladékkal együtt kidobni. Ezeket újra kell hasznosítani, ha van rá lehetőség. Az újrahasznosítással kapcsolatban érdeklődjön a helyi önkormányzatnál vagy a termék forgalmazójánál.

A KÉZIKÖNYVBEN HASZNÁLT SZIMBÓLUMOK

Dugja be a gépet a hálózatba.



Húzza ki a gépet az elektromos hálózathoz.



Külön értékesített alkatrészek és kiegészítők

A következő jelölőszavak és jelentések arra szolgálnak, hogy megmagyarázzák a termékkel kapcsolatos veszélyességi szinteket.

⚠ VESZÉLY

Egy bekövetkező veszélyes helyzetet jelez, ami, ha nem előzik meg, halált vagy komoly sérülést eredményez.

⚠ FIGYELEM

Egy potenciálisan bekövetkező veszélyes helyzetet jelez, ami, ha nem előzik meg, halált vagy súlyos sérülést eredményezhet.

⚠ VIGYÁZAT

Egy potenciálisan veszélyes helyzetet jelez, ami, ha nem előzik meg, kisebb vagy mérsékelten súlyos sérülést eredményezhet.

VIGYÁZAT

(Biztonsági figyelmeztető szimbólum nélkül) Egy olyan helyzetet jelez, ami anyagi kárt eredményezhet.



La conceperea polizorului dvs. de banc s-au avut în vedere în primul rând siguranța, performanța și fiabilitatea în exploatare.

DOMENIU DE APLICAȚII

- Acest polizor de banc este conceput pentru polizarea pieselor de metal. Produsul poate fi utilizat pentru ascuțirea uneltelor manuale din metal (de ex. dălți, topoare, cuțite), dar și pentru ascuțirea burghiilor, îndepărtarea bavurilor și netezirea marginilor ascuțite.
- Cu accesoriile adecvate, produsul poate fi utilizat și pentru curățarea suprafețelor metalice (cu ajutorul unei perii de sârmă) sau pentru lustruire (cu ajutorul unui disc textil).
- Nu utilizați niciodată produsul pentru operații de tăiere.

AVERTIZĂRI DE SIGURANȚĂ GENERALE PENTRU APARAT

⚠ AVERTISMENT

Citiți, cu atenție, toate avertismentele, instrucțiunile și specificațiile furnizate împreună cu aparatul, și consultați ilustrațiile. Nerespectarea instrucțiunilor prezentate în continuare poate provoca accidente cum ar fi incendii, electrocutare și/sau vătămări corporale grave.

Salvați toate avertismentele și instrucțiunile pentru o consultare ulterioară. Termenul „unealtă electrică” din avertisțări se referă la unealta dvs. electrică alimentată la curent (cu fir) sau la baterie (fără fir).

SIGURANȚA ZONEI DE LUCRU

- **Mențineți curată și bine iluminată zona de lucru.** Zonele dezordonate și întunecate prezintă pericol de accidente.
- **Nu operați cu unealta electrică în atmosfere explozive, precum în prezența lichidelor, gazelor sau a prafului inflamabil(e).** Unelele electrice creează scânteii care pot aprinde praful sau vaporii.
- **Țineți copiii și persoanele din jur la distanță în timpul operării unei unelte electrice.** Distragerea atenției vă poate face să pierdeți controlul.

SIGURANȚĂ ELECTRICĂ

- **Ștecărele uneltelor electrice trebuie să se potrivească cu priză. Nu modificați niciodată ștecărul în nici un fel. Nu folosiți niciodată adaptoare de ștecăr cu unelele electrice cu împământare.** Ștecărele nemodificate și prizele potrivite reduc riscul de electrocutare.
- **Evitați contactul corpului cu suprafețele conectate la împământare, precum țevi, radiatoare, reșouri, mașini de gătit și frigider.** Există un risc crescut de electrocutare când corpul dumneavoastră are contact cu împământarea.

- **Nu expuneți unelele electrice la ploaie sau umezeală.** Apa care intră într-o unealtă electrică va crește riscul de electrocutare.
- **Nu forțați cablul. Nu trageți niciodată unealta electrică de cablul de alimentare pentru a o transporta, a o trage sau a scoate ștecărul din priză. Țineți cordonul la distanță de căldură, ulei, muchii ascuțite sau piese în mișcare.** Cablurile deteriorate sau încurcate cresc riscul de electrocutare.
- **Atunci când lucrați cu o unealtă electrică în aer liber, folosiți un prelungitor adecvat pentru utilizarea în aer liber.** Folosirea unui prelungitor adecvat pentru utilizarea în aer liber reduce riscul de electrocutare.
- **În cazul în care operarea uneltelor electrice într-o zonă umedă nu poate fi evitată, folosiți o alimentare protejată cu un dispozitiv de curent rezidual (RCD).** Utilizarea unui RCD reduce riscul de electrocutare.

SIGURANȚĂ PERSONALĂ

- **Fiți atenți, observați ceea ce faceți și folosiți-vă simțul practic la utilizarea unei unelte. Nu folosiți unealta în timp ce sunteți obosit sau sub influența drogurilor, a alcoolului sau a medicamentelor.** Un moment de neatenție în timpul operării uneltelor electrice poate cauza vătămare personală gravă.
- **Purtați echipament de protecție personală. Purtați întotdeauna ochelari de protecție.** Utilizarea echipamentelor de protecție, cum ar fi măști pentru praf, pantofi anti-derapanți sau protecții pentru auz conform condițiilor specifice de lucru ajută la evitarea pericolelor de răni personale.
- **Evitați pornirea accidentală. Asigurați-vă că pistolul este oprit înainte de a-l conecta la rețea, înainte de a introduce bateria, înainte de a-l ridica sau transporta.** Transportarea uneltelor electrice cu degetul pe trăgaciul declanșator sau alimentarea uneltelor cu butonul de pornire apăsat constituie cauze frecvente ale accidentelor.
- **Îndepărtați orice cheie de reglare înainte de a porni unealta.** O cheie sau rămasă atașată de o piesă rotativă a uneltei electrice poate cauza vătămări corporale.
- **Nu vă întindeți excesiv. În timpul operării dispozitivului, păstrați-vă în permanență echilibrul și stabilitatea.** Acest lucru permite un mai bun control al uneltei electrice în situații neașteptate.
- **Îmbrăcați-vă corespunzător. Nu purtați haine largi sau bijuterii. Păstrați-vă părul și îmbrăcămintea departe de piesele în mișcare.** Hainele largi, bijuteriile sau părul lung pot fi prinse de piesele aflate în mișcare.
- **Dacă dispozitivele sunt echipate cu conectori pentru accesorii de colectare a prafului, asigurați-vă că acestea sunt conectate și utilizate adecvat.** Utilizarea accesoriilor de colectare a prafului poate reduce pericolele provocate de praf.
- **Obișnuința dobândită prin utilizarea frecventă a uneltelor nu trebuie să vă facă neglijent sau să vă determine să ignorați principiile de siguranță privind unelele.** O neglijență poate provoca răni grave



într-o fracțiune de secundă.

FOLOSIREA ȘI ÎNTREȚINEREA UNELTEI ELECTRICE

- **Nu forțați unealta.** Folosiți produsul corect pentru aplicația dvs. Produsul corect va îndeplini sarcina mai bine și mai în siguranță la un ritm pentru care a fost proiectat.
- **Nu folosiți unealta electrică dacă comutatorul nu o poate porni și opri.** Orice unealtă electrică, care nu poate fi controlată cu comutatorul este periculoasă și trebuie reparată.
- **Înainte de a efectua reglaje, de a schimba accesoriile sau de a depozita o unealtă electrică, deconectați ștecherul de la rețea și/sau acumulatorul de la unealtă.** Aceste măsuri preventive reduc riscul de pornire accidentală a produsului.
- **Nu lăsați uneltele electrice la îndemâna copiilor și nu permiteți persoanelor nefamiliarizate cu unealta electrică sau cu aceste instrucțiuni să folosească unealta.** Uneltele electrice sunt periculoase în mâinile utilizatorilor neinstruiți.
- **Efectuați regulat lucrări de întreținere a uneltelor electrice și accesoriilor acestora. Verificați alinierea sau lipirea pieselor în mișcare, spargerea pieselor, precum și orice altă condiție care poate afecta funcționarea uneltei. Dacă este deteriorată, trimiteți unealta în service înainte de utilizare.** Multe accidente sunt cauzate de unelte întreținute necorespunzător.
- **Păstrați uneltele de tăiere ascuțite și curate.** Uneltele de tăiere întreținute adecvat și care au muchii tăietoare bine ascuțite prezintă mai puține riscuri de încovoiere și sunt mai ușor de controlat.
- **Utilizați produsul și accesoriile sale în conformitate cu aceste instrucțiuni, luând în considerare condițiile de lucru și operațiile pe care le realizați.** Utilizarea uneltei electrice pentru alte operații decât cele preconizate poate duce la situații periculoase.
- **Păstrați mânerul și suprafețele de prindere uscate, curate și fără urme de ulei sau unsoare.** Mânerul și suprafețele de prindere alunecoase nu permit mânguirea în siguranță și controlul uneltei în situații neașteptate.

OPERAȚII DE SERVICE

- **Solicitați efectuarea lucrărilor de service la unealta dvs. electrică numai de către o persoană calificată în reparații, folosind numai piese de schimb identice.** Acest lucru va asigura păstrarea în siguranță a uneltei electrice.

AVERTISMENTE DE SIGURANȚĂ PRIVIND POLIZORUL DE BANC

- **Purtați întotdeauna ochelari de protecție și o mască împotriva prafului.**
- **Purtați aparatoare de urechi.** Expunerea la zgomot poate produce pierderea auzului.
- **Acest polizor nu este potrivit pentru polizarea**

umedă.

- **Nu utilizați accesoriile deteriorate.** Înaintea fiecărei utilizări, verificați accesoriile precum discurile abrazive să nu prezinte fisuri sau țândări. După ce ați verificat că accesoriul este în stare corespunzătoare și după ce l-ați instalat, îndepărtați-vă de accesoriul mobil și lăsați aparatul timp de un minut să ajungă la viteza maximă. În cazul în care accesoriul este deteriorat, acesta se va rupe în timpul acestui test.
- **Viteza nominală a accesoriului trebuie să fie egală sau mai mare decât viteza maximă indicată pe aparat.** Accesoriile care funcționează la o viteză mai mare decât viteza lor nominală se pot rupe și pot fi aruncate.
- **Nu polizați niciodată pe lateralele pietrei.** Polizarea pe laterală poate cauza ruperea și dizlocarea pietrei.
- **Fișa trebuie conectată la o priză corespunzătoare care trebuie să fie instalată și împământată conform codurilor și ordonanțelor locale.** Dacă nu sunteți sigur, apelați la un electrician calificat pentru a verifica priza.
- **Înainte de utilizare, montați produsul ferm pe bancul de lucru, stativul sau cadrul rigid ales.** Un produs nefixat este instabil și se poate deplasa în timpul funcționării. Astfel se pot produce daune materiale sau accidentări.
- **Asigurați iluminare generală adecvată sau localizată pentru a preveni efectul stroboscopic și pericolele.**
- **Polizorul trebuie utilizat întotdeauna cu ambele pietre de polizat montate pe ax pentru a se reduce riscul de a veni în contact cu axul aflat în rotație.**
- **Întotdeauna trebuie să se utilizeze protecțiile, suporturile polizorului, scuturile transparente și protecțiile anticânteie după cum se impune pentru accesorii.**
- **Rosturile de sprijin trebuie întotdeauna reglate astfel încât unghiul dintre rost și tangenta la discul de piatră abrazivă să fie mai mare de 85°.**
- **Înainte de utilizare, inspectați componentele și accesoriile produsului pentru a vă asigura că nu există elemente care ar putea afecta funcționarea corespunzătoare. Strângeți piulițele de blocare a pietrei, șuruburile de protecție, clemele și apărătoarele.**
- **Înainte de pornire, inspectați piatra în căutarea eventualelor defecte.** Nu utilizați pietre deteriorate sau deformate. Înlocuiți pietrele deteriorate conform instrucțiunilor.
- **Asigurați-vă că piatra se rotește liber înainte de pornirea mașinii.** Cu produsul deconectat de la priză și comutatorul pe poziția Oprit, rotiți piatra cu mâna. Piatra nu trebuie să intre în contact cu niciuna dintre componentele polizorului de banc și nu trebuie să existe alte elemente care să afecteze funcționarea corespunzătoare.
- **La pornire, poziționați-vă alături de produs și porniți-l.** Permiteți polizorului să ruleze la viteza maximă timp de aprox. 1 minut pentru ca eventualele defecte sau crăpături ale pietrei să devină evidente. Nu aduceți piesa de prelucrat în contact cu piatra polizorului înainte



ca aceasta să ajungă la viteza maximă.

- Nu apropiați mâinile sau alte părți ale corpului de pietrele polizorului. Contactul cu piatra aflată în mișcare poate provoca leziuni grave.
- Trebuie utilizate întotdeauna protecțiile și scuturile transparente. Păstrați elementele de protecție în poziție și în bună stare de funcționare. Utilizarea polizorului fără apărători sau cu apărătorile defecte crește riscul de accidentare.
- Evitați arsurile. Polizarea poate face ca piesele prelucrate și pietrele polizorului să se încălzească puternic. Nu atingeți piatra sau piesele care pot fi fierbinți.
- Nu utilizați polizorul pentru a prelucra piese mici sau articole care nu pot fi ținute ferm în mână. Piesa poate fi smulsă și proiectată, cauzând accidente grave.
- Nu polizați niciodată pe lateralul pietrei. Piatra se va sparge. Polizați întotdeauna pe muchie.
- Nu lăsați niciodată unealta să funcționeze nesupravegheată. Opriți unealta. Polizorul se învârte din inerție după oprirea utilajului. Nu părăsiți unealta până când nu se oprește complet.
- Nu puneți mâinile niciodată în spatele sau sub discurile polizorului.
- Utilizați protecții pentru urechi - de ex. dopuri sau căști - atunci când folosiți polizorul pentru perioade lungi de timp.
- Îndepărtați fișa înainte de a efectua orice fel de operațiuni de reglare, service sau întreținere. Cablul de alimentare trebuie să fie deconectat atunci când efectuați operații de întreținere asupra produsului.
- Reglați suporturile polizorului și protecțiile anticânteie în mod frecvent pentru a compensa uzura pietrelor de polizat.
- Ajustați suporturile polizorului atunci când este necesar, pentru ca distanța dintre acestea și discurile polizorului să fie cât mai mică posibil. Această distanță nu trebuie să depășească 2 mm. Deoarece diametrul pietrei scade odată cu utilizarea, ajustați distanța suportului față de piatră astfel încât să nu depășească valoarea maximă indicată.
- Ajustați arestoarele de scântei atunci când este necesar, pentru ca distanța dintre acestea și pietrele polizorului să fie cât mai mică posibil. Această distanță nu trebuie să depășească 2 mm. Deoarece diametrul pietrei scade odată cu utilizarea, ajustați distanța arestorului față de piatră astfel încât să nu depășească valoarea maximă indicată.
- Înlocuiți piatra abrazivă uzată atunci când nu se mai poate menține distanța de 2 mm între protecția anticânteie/suportul polizorului și piatră.
- Dacă protecțiile anticânteie se uzează sau se deteriorează, înlocuiți-le cu protecții de același tip la un centru de service autorizat.
- Atunci când montați o piatră de polizare nouă, verificați întotdeauna dacă turația maximă indicată pe aceasta

este mai mare sau egală cu turația maximă indicată pe produs. Asigurați-vă că diametrul pietrei și dimensiunea axului respectă specificațiile. De asemenea, verificați piatra nouă, asigurându-vă că nu prezintă defecte (fisuri sau crăpături).

INSTRUCȚIUNI DE SIGURANȚĂ PRIVIND PIATRA POLIZORULUI

⚠ AVERTISMENT

Pentru a reduce riscul de accidentare, utilizatorul trebuie să citească și să respecte instrucțiunile, avertismentele și manualul de utilizare. Neumarea acestor avertizări poate rezulta în ruperea discului și vătămare personală gravă. Păstrați aceste instrucțiuni.

- Utilizarea altor pietre decât cele recomandate în manualul cu instrucțiuni al mașinii poate cauza accidente grave. Utilizați doar pietre care au viteza maximă marcată mai mare sau egală cu viteza maximă indicată pe mașină.
- Nu folosiți niciodată un disc prea gros pentru a permite flanșei exterioare să se cupleze cu porțiunile plate de pe ax. Discurile mai mari vor veni în contact cu apărătorile de roți, în timp ce discurile mai groase vor împiedica șurubul să fixeze discul pe ax. Oricare dintre aceste situații poate conduce la un accident grav și poate provoca rănirea gravă.
- Această piatră este concepută doar pentru polizarea și prelucrarea pieselor metalice. Nu încercați să o folosiți la operații de tăiere.
- Această piatră este concepută doar pentru polizare uscată.
- Nu utilizați pietre de polizare ciobite, crăpate sau deteriorate în orice alt mod.
- Asigurați-vă că piatra abrazivă este montată și strânsă corect înainte de utilizare.
- Mașina nu trebuie să fie conectată la priza de alimentare în timp ce montați sau demontați pietrele de polizare.
- Depozitați cu atenție pietrele de polizare de rezervă.
 - Păstrați pietrele în ambalajul original, dacă este posibil.
 - Păstrați pietrele într-un loc uscat, la temperatura camerei.
 - Pietrele pot fi stocate în poziție verticală pe un raft.
 - Nu permiteți pietrelor să cadă sau să fie supuse la impacturi.

Informațiile de pe eticheta pietrei de polizare

Informațiile de pe eticheta pietrei sunt importante. Citiți cu atenție aceste informații pentru a vă asigura că alegeți tipul de piatră corect.

1. producător, furnizor, importator sau deținător marcă înregistrată.
2. Dimensiunile nominale ale pietrei, în special diametrul



orificiului central.

3. Tipul materialului abraziv, granulația, duritatea, tipul liantului și materialul de ranforsare utilizat.
4. Viteza de funcționare maximă, în metri pe secundă.
5. viteză maximă permisibilă de rotație în 1 minut
6. Din punctul de vedere al declarației de conformitate, produsele abrazive trebuie să fie marcate cu standardul EN 12413.
7. restricții de folosire și simboluri avertizări de siguranță
8. cod de identificare, de ex. Un număr de producție/serie, numere de serie

Piatra trebuie schimbată în oricare dintre următoarele situații.

1. Dacă fața pietrei de polizat este uzată neuniform, prezintă adâncituri, sau nu mai este plată și uniformă.
2. Dacă forma pietrei nu mai este rotundă.
3. Dacă suprafața pietrei se încarcă și se astupă cu material polizat.
4. Dacă există vreun semn de deteriorare.
5. Dacă devine greu de lucrat cu ea.
6. Dacă suporturile/ protecțiile antiscânteie nu se pot regla la ≤ 2 mm distanță față de suprafața pietrei.
7. Dacă ≤ 1 cm din piatră iese în afară la flanșă. Vedeți sfaturile de la pagina 147.

RISCURI REZIDUALE

Chiar dacă produsul este folosit așa cum este descris, este totuși imposibil să se elimine complet anumiți factori de risc reziduali. Următoarele pericole ar putea apărea în timpul folosirii iar operatorul trebuie să acorde o atenție specială pentru a evita următoarele:

- Risc de contact cu părțile neprotejate ale discului în mișcare.
- Pericol de arsură în urma contactului cu discul sau piesa de prelucrat
- Dăunare a sistemului respirator dacă nu se poartă mască împotriva prafului.
- Afecțiuni ale auzului, dacă nu este purtată protecție pentru auz.

CUNOAȘTEȚI-VĂ PRODUSUL.

Salt la pagina nr. 141.

1. Scut transparent x 2
2. Arestor de scânteie x 2
3. Apărătoare de disc x 2
4. Disc de polizare x 2
5. Suport piesă de prelucrat x 2
6. Întrerupător pornire/oprire
7. Gaură de montare x 4
8. Buton rotativ de reglare a suportului piesei de prelucrat x 2

ÎNȚREȚINEREA

- Nu modificați produsul în niciun fel sau să folosiți accesorii neaprobate de producător. Siguranța dvs. și

a celorlalți poate fi periclitată.

- Nu folosiți produsul dacă oricare din întrerupătoare, apărători sau alte funcții nu funcționează corespunzător. Returnați la un centru service autorizat pentru reparare profesională sau reglare.
- Nu realizați ajustări în timp ce aparatul funcționează.
- Asigurați-vă întotdeauna că ștecherul a fost îndepărtat din priză, înainte de a face orice reglări, de a-l lubrifia sau când efectuați întreținerea produsului.
- Înainte și după fiecare folosire, verificați produsul de deteriorare sau piese rupte/crăpate. Mențineți produsul în condiții optime de funcționare prin înlocuirea imediată a pieselor cu piese de schimb aprobate de producător.
- Curățați praful acumulat folosind o perie sau un aspirator. Nu utilizați aer comprimat.
- Pentru a asigura siguranța și fiabilitatea, toate reparațiile, incluzând schimbarea perilor, trebuie îndeplinite la un centru service autorizat.
- În cazul în care cablul de alimentare este deteriorat, înlocuiți-l la un Centru de Service Autorizat, pentru a evita pericolele de accidente.

⚠ AVERTISMENT

Pentru o siguranță și fiabilitate sporită, toate reparațiile trebuie să fie efectuate la un centru service RYOBI autorizat.

TRANSPORTARE ȘI DEPOZITARE

- Atunci când depozitați produsul, deconectați cablul de alimentare.
- Curățați polizorul cu o perie și un aspirator.
- Întotdeauna transportați polizorul în conformitate cu instrucțiunile din acest manual al utilizatorului.
- Protejați polizorul contra loviturilor dure sau a vibrațiilor puternice din timpul transportării cu vehicule.
- Asigurați polizorul pentru a nu aluneca și a cădea.
- Depozitați polizorul și accesorii sale într-un loc uscat și în siguranță, departe de accesul copiilor.
- Vă recomandăm să utilizați ambalajul original pentru depozitarea polizorului pentru a-l proteja de praf.

PROTECȚIA MEDIULUI ÎNCONJURĂTOR



Reciclați materiile prime în loc să le aruncați la gunoi, împreună cu deșeurile menajere. Pentru a proteja mediul înconjurător, mașina, accesoriiile acesteia și ambalajele trebuie triate.



SIMBOLURILE DE PE PRODUS.



Alertă de siguranță



Citiți instrucțiunile cu atenție înainte de pornirea produsului.



Conformitate CE



Marcaj de conformitate EurAsian.



Semn de conformitate ucrainean



Purtați echipamente de protecție a auzului



Purtați echipamente de protecție a vederii



Nu este pentru polizare sau tăiere la umed.



Nu folosiți disc de șlefuire ciobit, crăpat sau defect



Purtați mănuși de protecție



Direcția de rotire a pietrei (indicată pe eticheta pietrei)



Direcția de rotire a pietrei (indicată pe protecția pietrei)



Deșeurile produselor electrice nu trebuie să fie eliminate împreună cu deșeurile casnice. Vă rugăm să reciclați acolo unde există facilități. Verificați la autoritatea dvs. locală sau la vânzător pentru sfaturi privind reciclarea.

SIMBOLURILE DIN MANUAL



Conectați dispozitivul.



Deconectați unealta.



Piese sau accesorii vândute separat

Rmătoarele cuvinte simbol și înțelesul lor au intenția de a explica nivelele de risc asociate cu acest produs.

⚠ PERICOL

Indică o situație imediată de pericol, care dacă nu este evitată va rezulta în deces sau rănire gravă.

⚠ AVERTISMENT

Indică o situație potențială de pericol, care dacă nu este evitată poate rezulta în deces sau rănire gravă.

⚠ PRECAUȚIE

Indică o situație potențial periculoasă, care dacă nu este eviată, poate rezulta în vătămare minoră sau moderată.

PRECAUȚIE

(Fără simbol de alertă de siguranță) Indică o situație ce poate rezulta în distrugerea proprietății.



Radot jūsu divripu slīpmašīnu, drošībai, veikspējai un uzticamībai ir pievērsta vislielākā vērība.

PAREDZĒTĀ LIETOŠANA

- Šī divripu slīpmašīna ir paredzēta metāla slīpēšanai un asināšanai. Izstrādājumu var izmantot metāla rokas instrumentu (kalnu, cirvju, nažu) un urbjū asināšanai un asu malu un atskabargu noņemšanai.
- Ar atbilstošiem papildpiederumiem, izstrādājumu var izmantot metāla virsmu tīrīšanai ar stiepli birsti vai pulēšanai un spodrināšanai ar filca rīpu.
- Nekad neizmantojiet izstrādājumu griešanas darbībām.

VISPĀRĒJIE DROŠĪBAS BRĪDINĀJUMI

⚠ BRĪDINĀJUMS

Izlasiet visus drošības brīdinājumus, instrukcijas, specifikācijas un apskatiet attēlus šī elektroinstrumenta dokumentācijā. Visu uzskaitīto instrukciju neievērošana ir bīstama; tā var izraisīt elektrisko triecienu, aizdegšanos un/vai nopietnas traumas.

Visus brīdinājumus un norādījumus saglabājiet turpmākām uzziņām. Apzīmējums "elektroinstrument" brīdinājumus attiecas uz jūsu elektroinstrumentu, kas tiek darbināts no elektrotīkla (ar vadu) vai ar akumulatora (bezvadu) palīdzību.

DROŠĪBA DARBA VIETĀ

- Uzturiet darba vietu tīru un labi apgaismotu. Nekārtīgās vai tumšās vietās ir paaugstināts negadījumu risks.
- Nedarbiniet elektroinstrumentus sprādzienbīstamā vidē, piemēram, degošu šķidrums, gāzu vai putekļu klātbūtnē. Elektroinstrumenti rada dzirksteles, kas var aizdedzināt putekļus vai gāzes.
- Neļaujiet bērniem un apkārtesošajiem atrasties tuvumā, kamēr tiek darbināts elektroinstrumenti. Izklaidības dēļ jūs varat zaudēt kontroli.

ELEKTRODROŠĪBA

- Elektroinstrumenta kontaktdakšām ir jābūt atbilstošām kontaktlīdzdām. Nekad nekādā veidā neveiciet kontaktdakšas izmaiņas. Neizmantojiet adapterus ar zemētiem elektroinstrumentiem. Nemodificētas kontaktdakšas un atbilstošas kontaktlīdzdas mazinās elektrošoka risku.
- Izvairoties no ķermeņa saskares ar zemētām virsmām, piemēram, caurulēm, radiatoriem, apgabalim un saldētāvam. Ja jūsu ķermenis ir ir zemēs, pastāv palielināts elektrošoka risks.
- Nepakļaujiet elektroinstrumentus lietum vai mītriem apstākļiem. Ūdens iekļūšana elektroinstrumentā palielina elektriskā trieciena risku.

- Izmantojiet barošanas vadu tikai pareizi. Nekad neizmantojiet kabeli elektroinstrumenta nēsāšanai, vilkšanai vai atvienošanai. Vadam jāatrodas pietiekamā atstatumā no siltumavotiem, eļļas, asām malām un kustīgām detaļām. Bojāti vai sapinušies kabeli palielina elektrošoka risku.
- Darbinot elektroinstrumentu ārā, lietojiet pagarinātāja kabeli, kas ir piemērots ārā lietošanai. Izmantojot kabeli, kas ir piemērots lietošanai ārā, tiek samazināts elektrošoka risks.
- Ja elektroinstrumentu darbināšana mitrā vietā ir neizbēgama, izmantojiet ar paliekošās strāvas iekārtu (RCD) aizsargātu avotu. Izmantojot RCD, tiek samazināts elektrošoka risks.

PERSONAS DROŠĪBA

- Saglabājiet modrību, vērojiet savu darbu un rīkojieties saskaņā ar veselo saprātu. Neizmantojiet darbarīku, ja esat noguris vai narkotisko vielu, alkohola vai medikamentu ietekmē. Neuzmanības brīdis, strādājot ar elektroinstrumentiem, var izraisīt smagus ievainojumus.
- Valkājiet individuālos aizsarglīdzekļus. Vienmēr lietojiet aizsargbrilles. Aizsardzības aprīkojums, piemēram, putekļu maska, neslidoši drošības apavi, aizsargķivere, vai ausu aizsarglīdzekļi, to izmantojot atbilstošos apstākļos, samazinās ievainojumu risku.
- Nepieļaujiet nejausu iedarbināšanu. Nodrošiniet, ka slēdzis ir izslēgtā stāvoklī, pirms pievienot pistolī spriegumam un/vai akumulatoru blokam, satverot vai pārnēsājot izstrādājumu. Elektroinstrumentu pārnēsāšana, pirkstam atrodoties uz slēdža, vai instrumenta, kas ir ieslēgtā stāvoklī, pieslēgšana elektrotīklam, palielina negadījumu iespējamību.
- Pirms elektroinstrumenta ieslēgšanas izņemiet visus regulējošos ķīļus vai uzgriežņu atslēgas. Pie elektromotora rotējošās daļas atstāta uzgriežņu atslēga vai ķīlis var izraisīt savainojumus.
- Nesniedzieties tam pāri. Visu laiku stāviet stingri un stabili. Tādējādi tiek nodrošināta labāka elektroinstrumenta kontrole negaidītās situācijās.
- Apģērbieties pareizi. Nenēsājiet vaļīgu apģērbu un rotaslietas. Netuviniet matus un apģērbu kustīgajām daļām. Vaļīgs apģērbs, rotaslietas vai gari mati var tikt ierauti starp kustīgām detaļām.
- Ja instruments ir apgādāts ar ierīcēm putekļu nosūkšanai, nodrošiniet, ka šīs ierīces tiek pieslēgtas un pareizi izmantotas. Putekļu savākšanas ierīču izmantošana var samazināt briesmas, kas saistītas ar putekļu uzkrāšanos.
- Neļaujiet biežas instrumentu lietošanas radītām pieradumam ļaut palikt nevērtīgam un neievērot instrumentu drošības principus. Bezbrūpīga darbība var izraisīt smagus ievainojumus sekundes daļu laikā.

ELEKTROINSTRUMENTA LIETOŠANA UN APKOPE

- Nepārslēdziet instrumentu. Izmantojiet attiecīgajam darbam piemērotu ierīci. Piemērota





ierīce darbu paveiks labāk un drošāk, un tā, kā tā ir paredzēta.

- **Nelietojiet elektroinstrumentu, ja slēdzis to neieslēdz un neizslēdz.** Visi elektroinstrumenti, kurus nevar kontrolēt ar slēdzi, ir bīstami un tie ir jāremontē.
- **Atvienojiet kontaktdakšu no sprieguma avota un/vai noņemiet akumulatoru bloku no elektroinstrumenta, pirms veikt jebkādu regulēšanu vai darba piederumu maiņu vai novietot elektroinstrumentu glabāšanai.** Šādi preventīvi drošības pasākumi samazina nejausas izstrādājuma ieslēgšanās risku.
- **Turiet elektroinstrumentus bērniem nepieejamā vietā, un neļaujiet cilvēkiem, kas nepazīst šo elektroinstrumentu vai šīs instrukcijas, darbināt elektroinstrumentu.** Neapmācītu lietotāju rokās elektroinstrumenti ir bīstami.
- **Uzturiet elektroinstrumentus un to aksesuārus kārtībā.** Pārbaudiet kustīgo detaļu savienojumu pareizību, detaļu berzi un citus apstākļus, kas var ietekmēt instrumenta darbu. Ja instruments ir bojāts, pirms lietošanas veiciet tā remontu. Daudzus negadījumus izraisa slikti apkopti instrumenti.
- **Uzturiet griezējinstrumentus asus un tīrus.** Pareizi uzturēti griezējinstrumentiem ar asu griezējasmēni ir mazāka iespēja iekerties, tos ir vieglāk vadīt.
- **Izmantojiet izstrādājumu, aksesuārus, instrumentu uzgaļus utml. saskaņā ar šīm norādēm un ņemot vērā darba apstākļus un veicamā darba specifiku.** Izmantojot elektroinstrumentu darbībā, kas nav paredzētas, var rasties bīstama situācija.
- **Uzturiet rokturus un satveršanas virsmas sausas un tīras, arī no eļļas un smērvielām.** Slideni rokturi un satvēriena virsmas nenodrošina drošu apiešanos un instrumenta vadību neparedzētās situācijās.

TEHNISKĀ APKOPE

- **Nododiet savu elektroinstrumentu apkopei kvalificētam tehnikam, izmantojot tikai identiskas rezerves daļas.** Tādā veidā tiek nodrošināta elektroinstrumenta drošība.

DIVRIPU SLĪPMAŠĪNAS DROŠĪBAS BRĪDINĀJUMI

- **Vienmēr valkājiet aizsargbrilles un putekļu masku.**
- **Lietojiet dzirdes aizsargus.** Asu pakļaušana trokšņa iedarbībai var izraisīt dzirdes traucējumus.
- **Šis produkts nav piemērots slapjajai slīpēšanai.**
- **Nelietojiet bojātus piederumus.** Pirms katras lietošanas katru reizi pārbaudiet slīpripas, vai nav radušies plaisas vai atlūzas. Pēc piederuma pārbaudes un uzstādīšanas nostājieties un nostādiat citus tuvumā esošos prom no rotējošā piederuma ass un vienu minūti darbiniet elektroinstrumentu ar maksimālo bezslodzes ātrumu. Bojāti piederumi šīs pārbaudes laikā parasti salūzīs.
- **Piederuma nominālajam ātrumam jābūt vismaz vienādam vai maksimālajam, kas norādīts uz elektroinstrumenta.** Piederumi, kas kustās ātrāk par nominālo ātrumu, var salūzt un lidot uz visām pusēm.
- **Nekad neslīpējiet ar slīpripas sānu.** Slīpēšana ar sānu var izraisīt diska salūšanu un atdalīšanos ar lielu spēku.
- **Kontaktspraudni jāpieslēdz piemērotai ligzdai, kas ir pareizi instalēta un zemēta atbilstoši visiem vietējiem noteikumiem.** Ja neesat pārliecināts, lieciet sertificētam elektriķim pārbaudīt kontaktus.
- **Uzstādiat izstrādājumu stabili uz darbagalda, slīpēšanas statīva vai cita nekustīga rāmja, pirms lietošanas.** Nenostiprināts izstrādājums ir nestabils un darba laikā var kustēties. Tas var izraisīt bojājumus vai ievainojumus.
- **Nodrošiniat atbilstošu vispārēju vai vietēju apgaismojumu, lai novērstu stroboskopa efektu un bojājumus.**
- **Vienmēr izmantojiet produktu ar slīpripām uzstādītām uz abiem ass galiem, lai samazinātu risku saskarsmei ar rotējošu vārpstu.**
- **Vienmēr izmantojiet aizsargus, darba balstus, caurspīdīgos aizsargus un dzirksteļu slāpētājus, kas nepieciešami slīpēšanas diskam (-iem).**
- **Vienmēr noregulējiet darba atbalstu tā, lai leņķis starp atbalstu un slīpripas tangenti vienmēr būtu lielāks par 85°.**
- **Pirms lietošanas, pārbaudiet izstrādājuma daļas un piederumus, lai nodrošinātu, ka nepastāv apstākļi, kas var ietekmēt pareizu lietošanu.** Pielieciet slīpripu fiksācijas uzgriežņus, drošības skrūves un visas spaiļes un aizsargus.
- **Pirms katras iedarbināšanas pārbaudiet vai slīpripām nav bojājumi.** Neizmantojiet bojātas vai nepareizas formas ripas. Nomainiet bojātās slīpripas saskaņā ar norādēm.
- **Pirms katras iedarbināšanas pārliecinieties, ka riteņi griežas brīvi.** Kad sprieguma vads nav pieslēgts un slēdzis ir izslēgts, uzmanīti pagrieziet ripu ar roku. Ripa nedrīkst pieskarties nevienai no slīpmašīnas daļām, tā nedrīkst vibrēt, nevar pastāvēt citi apstākļi, kas var ietekmēt pareizu lietošanu.
- **Katras palaišanas laikā, stāviet iesāņus uz vienu pusi no slīpmašīnas un nospiediet slēdzi ON.** Lieciet slīpmašīnai darboties pilnā ātrumā vienu minūti, lai jebkādas nepamanītās nepilnības vai plaisas kļūtu redzamas. Nepieskarieties ripai ar apstrādājamo priekšmetu, līdz tā nav sasniegusi pilnus apgriezienus.
- **Turiet rokas un ķermeņa daļas atstatu no slīpripām.** Saskarsme ar rotējošu slīpripu var radīt ievainojumus.
- **Vienmēr izmantojiet aizsargus un caurspīdīgos ekrānus.** Aizsargiem ir jābūt vietā un darba kārtībā. Izstrādājuma lietošana bez aizsargiem vai ar bojātiem aizsargiem var izraisīt ievainojumus.
- **Izvairieties no apdegumiem.** Slīpēšana var likt priekšmetiem un slīpripai sakarst. Nepieskarieties





slīprīpai vai priekšmetam, kas var būt karsti.

- Neizmantojiet izstrādājumu mazu priekšmetu apstrādei, kurus nevar kārtīgi noturēt. Priekšmets var tikt nomests un izraisīt ievainojumus.
- Nekad neslīpējiet uz slīprīpas sāna. Slīprīpa var saplīst. Slīpējiet tikai uz ripas slīpēšanas virsmas.
- Nekad neatstājiet darbojošos instrumentu bez uzraudzības. Izslēdziet instrumentu. Slīprīpas turpina rotēt arī pēc instrumenta izslēgšanas. Neatstājiet instrumentu, līdz tas nav pilnībā apstājies.
- Nekad nespiedzieties aiz vai zem slīprīpām.
- Izmantojiet ausu aizsargus kā austiņas vai aizbāzņus ilgstošas izmantošanas laikā.
- Pirms regulācijas, apkopes un uzturēšanas darbu veikšanas atvienojiet spraudni. Sprieguma padeves vadam jābūt atvienotam, ja jūs veicat sava instrumenta apkopi.
- Regulāri regulējiet darba atbalstus un dzirksteļu slāpētājus, lai kompensētu slīprīpu nodilumu.
- Noregulējiet darba atbalstus ikreiz, kad nepieciešams, lai saglabātu attālumu starp darba balstiem un slīprīpām pēc iespējas mazāku. Šim attālumam ir jābūt vienādam vai mazākam par 2 mm. Sakarā ar to ka slīprīpas diametrs lietojot samazinās, turpiniet uzturēt maksimālu darba atbalsta attālumu, veicot tā regulēšanu.
- Noregulējiet dzirksteļu slāpētājus ikreiz, kad nepieciešams, lai saglabātu attālumu starp dzirksteļu slāpētājiem un slīprīpām pēc iespējas mazāku. Šim attālumam ir jābūt vienādam vai mazākam par 2 mm. Sakarā ar to ka slīprīpas diametrs lietojot samazinās, turpiniet uzturēt maksimālo dzirksteļu ierobežotāja attālumu, veicot tā regulēšanu.
- Nomainiet nodilušo slīprīpu, kad attālums starp dzirksteļu uztvērēju/darba atbalstu un slīprīpu ir lielāks par 2mm un to vairs nevar regulēt.
- Ja dzirksteļu uztvērējs vai darba atbalsts kļūst nodilis vai bojāts, nomainiet to ar identisku aizvietošanas detaļu no pilnvarota servisa centra.
- Uzstādot jaunu slīprīpu, vienmēr pārbaudiet vai maksimālie apgrīzieni, kas norādīti uz slīprīpas atbilst vai pārsniedz norādītos uz slīpmašīnas. Nodrošiniet ka slīprīpas diametrs un ass urbuma lielums atbilst specifikācijās norādītajiem. Pārbaudiet arī jauno slīprīpu, vai nav bojājumu kā robu vai plaisu.

SLĪPRĪPAS DROŠĪBAS NORĀDES

BRĪDINĀJUMS

Lai samazinātu ievainojumu riski, lietotājam ir jāizlasa un jāievēro norādes, brīdinājumu un lietošanas norādes, pirms sākt izmantot slīprīpu. Šo brīdinājumu neievērošana var novest pie diska bojājuma un nopietniem ievainojumiem. Saglabājiet šīs instrukcijas.

- Jebkuras citas slīprīpas, kā vien ierīces specifikācijā

norādītās, izmantošana ierīcē var radīt personīgu ievainojumu risku. Izmantojiet tikai slīprīpas, kuru ātrums markējuma atzīmētājā ir vienāds vai lielāks ar uz ierīces norādīto.

- Nekad nelietojiet ripu, kas ir pārāk bieža, lai atļautu ārējam atlokam saskarties ar plāksnēm uz darbvirsmas. Lielākas ripas nonāks saskarē ar ripas aizsargiem, bet biežākas ripas neļaus skrūvei piestiprināt ripu pie darbvirsmas. Jebkurā no šīm situācijām var notikt nopietns negadījums un rasties nopietna personiskā trauma.
- Šī slīprīpa ir paredzēta metāla slīpēšanai un veidošanai. Nemēģiniet veikt griešanas darbības.
- Šī slīprīpa ir paredzēta tikai sausiai slīpēšanai.
- Neizmantojiet bojātas slīprīpas, neizmantojiet slīprīpas ar iesitumiem, plaisām vai citiem defektiem.
- Nodrošiniet ka abrazīvā slīprīpa ir pareizi uzstādīta un nostiprināta, pirms to izmantot.
- Slīpmašīna nekad nedrīkst būt pieslēgta spriegumam, veicot slīprīpu uzstādīšanu vai noņemšanu.
- Glabājiet rezerves slīprīpas piesardzīgi.
 - Ja iespējams, glabājiet slīprīpu oriģinālajā iepakojumā.
 - Glabājiet slīprīpu sausā vietā istabas temperatūrā.
 - Slīprīpas plauktā var glabāt vertikāli.
 - Neļaujiet slīprīpām nokrist vai ciest no citiem triecieniem.

Informācija ir pieejama uz slīprīpas etiķetes

Informācija uz slīprīpas etiķetes ir svarīga. Izlasiet un pārbaudiet to rūpīgi, lai nodrošinātu, ka izvēlaties pareiza tipa slīprīpu.

1. ražotājs, piegādātājs, importētājs vai prečzīme
2. Nominālie slīprīpas izmēri, it īpaši centra atveres diametrs.
3. Abrazīva veida, grauda lielums, klase vai cietība, saistvielas veids un pastiprinājuma izmantošana.
4. Maksimālais lietošanas ātrums metros sekundē.
5. maksimālais pieļaujamais rotācijas ātrums 1/min.
6. Atbilstības deklarācijai abrazīvajiem izstrādājumiem jābūt marķētiem ar EN 12413.
7. lietošanas aizliegums un drošības brīdinājuma simboli
8. izsekojamības kods, piem., ražošanas/partijas numurs, sērijas numurs.

Slīprīpu var būt jānomaina pie jebkura no tālāk minētajiem apstākļiem.

1. Slīprīpas virsma ir nevienmērīgi nodilusi, kļuvusi robota, vairs nav līdzena un plakana.
2. Ja slīprīpas diametrā vairs nav apaļa.
3. Ja slīprīpas virsma ir aizķēpusi ar slīpējamo materiālu un tāpēc trula.
4. Ja parādās jebkādas bojājumu pazīmes.
5. Ja ar to kļūst grūti strādāt.
6. Ja darba atbalstu/dzirksteļu uztvērēju vairs nevar noregulēt tā, lai attālums būtu ≤ 2 mm no slīprīpas virsmas.





7. Ja no atloka ir ārā mazāk par 1cm diska. Skatīt ieteikumus 147. lappusē.

PALIEKOŠIE RISKI

Pat tad, ja ierīce tiek lietota, kā aprakstīts, joprojām nav iespējams pilnībā novērst atsevišķus riska faktorus. Lietošanas laikā var rasties šādas briesmas un strādniekam īpaša uzmanība jāpievērš šim:

- Risks saskarties ar rotējošas slīpripas neaizsargātajām daļām.
- Apdegumu briesmas no saskarsmes ar slīpripu vai apstrādājamo gabalu.
- Bojājumi elpošanas sistēmai, ja netiek valkāta putekļu aizsardzības maska.
- Dzirdes bojājums, ja nelietojat efektīvu dzirdes aizsargu.

IERĪCES IEPAZĪŠANA

Skatīt 141. lpp.

1. Caurspīdīgais ekrāns x 2
2. Dzirksteļu slāpētājs x 2
3. Diska aizsargs x 2
4. Slīpripa x 2
5. Darba atbalsts x 2
6. Ieslēgšanas/izslēgšanas slēdzis
7. Uzstādīšanas caurums x 4
8. Darba atbalsta fiksācijas poga x 2

APKOPE

- Nepārveidojiet ierīci jebkādā veidā, kā arī nelietojiet piederumus, kas nav ražotāja apstiprināti. Jūsu un citu drošība var tikt apdraudēta.
- Neizmantojiet ierīci, ja slēdži, aizsargi vai citas funkcijas nestrādā kā paredzēts. Vērsieties pilnvarotā servisa centrā, lai saņemtu profesionālu remontu vai pielāgojumus.
- Neveiciet nekādus regulējumus, kamēr izstrādājums darbojas.
- Vienmēr pārliecinieties, ka ierīce ir atslēgta no strāvas padeves, pirms veicat pielāgojumus, ieeļļošanu vai veicat jebkādu ierīces apkopi.
- Pirms un pēc katras lietošanas reizes, pārbaudiet vai ierīce un tās detaļas nav bojātas. Uzturiet ierīci vislabākajā tehniskajā stāvoklī, nekavējoties nomainot bojātās detaļas ar ražotāja ieteiktām rezerves daļām.
- Iztīriet sakrājušos putekļus ar otiņu vai putekļu sūcēju. Neizmantojiet saspiestu gaisu.
- Lai nodrošinātu drošību un uzticamību, visus remontus, ieskaitot birstes maiņu, būtu jāveic pilnvarotā servisa centrā.
- Ja barošanas vads ir bojāts, to jānomaina pilnvarotā servisa centrā, lai nepieļautu bīstamību.

▲ BRĪDINĀJUMS

Lai nodrošinātu drošību un uzticamību, visi remontdarbi jāveic PILNVAROTĀ SERVISA CENTRĀ vai citā KVALIFICĒTĀ SERVISA ORGANIZĀCIJĀ.

TRANSPORTĒŠANA UN UZGLABĀŠANA

- Uzglabājot ierīci, atvienojiet to no strāvas avota.
- Tīriet produktu, izmantojot birsti un putekļsūcēju.
- Vienmēr pārnēsājiet un celiet produktu atbilstoši norādēm šajā lietošanas rokasgrāmatā.
- Sargājiet produktu no stipriem triecieniem vai vibrācijām, kas var rasties to transportējot automašīnā.
- Nostipriniet produktu, lai tas nekristu vai neapgāztos.
- Glabājiet produktu un tā aksesuārus sausā, drošā vietā, kas nav pieejama bērniem.
- Mēs iesakām uzglabāšanai izmantot oriģinālo iepakojumu, lai aizsargātu produktu no putekļiem.

VIDES AIZSARDZĪBA



Tā vietā, lai iezemmateriālus izmestu atkritumos, nododiet tos otrreizējai pārstrādei. Mašīna, aksesuāri un iepakojums ir jāsašķiro un jānodod videi draudzīgā atkārtotas pārstrādes vietā.

UZ PRECES ESOŠIE SIMBOLI



Drošības brīdinājums



Pirms iedarbināt izstrādājumu, lūdzu, uzmanīgi izlasiet norādījumus.



CE atbilstība



EurAsian atbilstības marķējums.



Ukrainas apstiprinājuma zīme



Lietojiet dzirdes aizsargus



Valkājiet acu aizsarglīdzekļus



Nav paredzēts mitrai slīpēšanai vai griešanai



Neizmantot saplīsušus, iekļausījušus un bojātus slīpēšanas diskus



Valkājiet aizsargcimdus



Slīpripas griešanās virziens (norādīts uz slīpripas etiķetes)



Slīpripas griešanās virziens (norādīts uz slīpripas aizsarga)



Izlietotie elektroprodukti nedrīkst tikt izmesti kopā ar mājsaimniecības atkritumiem. Lūdzu, nododiet tos attiecīgajās atk ār totas izmantošanas vietās. Sazinieties ar savu vietējo varas pārstāvi vai izplatītāju, lai noskaidrotu, kur iespējama atkārtota pārstrāde.

SIMBOLI ROKASGRĀMATĀ



Pieslēdziet ierīci.



Atslēdziet instrumentu.



Atsevišķi nopērkamās daļas vai piederumi

Lai izskaidrotu risku, kas saistīti ar izstrādājumu, līmeni, paredzēti šādi norādījuma vārdi un jēdzieni.

BĪSTAMI

Norāda uz nenovēršami bīstamu situāciju, kas, ja netiks novērsta, izraisīs nāvi vai nopietnus miesas bojājumus.

BRĪDINĀJUMS

Norāda uz potenciāli bīstamu situāciju, kas, ja netiks novērsta, var izraisīt nāvi vai nopietnus miesas bojājumus.

UZMANĪBU

Norāda uz potenciāli bīstamu situāciju, kas, ja netiek novērsta, var izraisīt vieglus vai vidējus miesas bojājumus.



Gaminant šį stalinį šlifuotuvą didžiausia svarba buvo teikiama jo saugai, efektyvumui ir patikimumui.

NAUDOJIMO PASKIRTIS

- Šis stalinis šlifuo tuvas skirtas metalui šlifuoti ir formuoti. Juo naudojantis galima galėti metalinius įrankius (pvz., kirstukus, kirvius, peilius) ir gręžimo antgalius, taip pat šalinti šerpetas ar galšti ašmenis.
- Naudojant tinkamus priedus, šiuo įrenginiu galima valyti metalinius paviršius vieliniu šepetėčiu arba poliuruoti ir gludinti naudojant medžiaginį diską.
- Nenaudokite šio gaminio pjovimui.

BENDROSIOS ELEKTRINIO ĮRANKIO SAUGOS TAISYKLĖS

⚠ ĮSPĖJIMAS

Perskaitykite visus saugos įspėjimus, visas instrukcijas, paveikslėlius ir techninius reikalavimus, pateikiamus su šiuo elektriniu įrankiu. Apačioje išdėstytų instrukcijų nesilaikymas gali sukelti elektros smūgi, gaisrą ir (ar) sunkius sužeidimus.

Kad tinkamai naudotumėte įrankį, žr. visus perspėjimus ir nurodymus. Įspėjimuose naudojama sąvoka „elektrinis įrankis“ reiškia prie elektros tinklo jungiamą (laidinį) elektrinį įrankį arba akumuliatoriumi maitinamą (belaidį) elektrinį įrankį.

DARBO ZONOS SAUGUMAS

- Darbo vieta turi būti švari ir gerai apšviesta. Nelaimingų atsitikimų įvyksta netvarkingose ar tamsiose vietose.
- Nenaudokite elektrinių įrankių, jei šalia yra degios ir sprogti galinčios medžiagos (degūs skysčiai, dujos ar dulkės). Elektriniai įrankiai kibirkščiuoja ir gali uždegti dulkes arba garus.
- Neleiskite vaikams ir šalia esantiems asmenims būti šalia įjungto elektrinio įrankio. Išsiblaškę galite prarasti kontrolę.

ELEKTROS SAUGA

- Elektrinio įrankio kištukai turi atitikti kištukinį lizdą. Niekada nekeiskite kištuko. Su įžemintais (įžeminimo) elektriniais įrankiais niekada nenaudokite kištukų adapterių. Nepakeisti kištukai ir atitinkantys lizdai sumažina elektros smūgio pavojų.
- Stenkitės nesiliesti prie įžemintų ar įžeminimo paviršių (vamzdžių, radiatorių, grandinių/viryklių, šaldytuvų). Įžeminius savo kūną, padidės elektros smūgio pavojus.
- Saugokite elektrinius įrankius nuo lietaus ar drėgmės. Dėl vandens, patekusio į elektrinį įrankį, padidėja elektros smūgio pavojus.
- Laidą naudokite pagal jo paskirtį. Niekada jo

nenaudokite elektriniams įrankiams pernešti, tempti ar išjungti. Saugokite maitinimo laidą nuo karščio, tepalų, aštrių kampų bei judančių detalių. Pažeisti ar supainioti laidai padidina elektros smūgio galimybę.

- Dirbdami su elektriniu įrankiu lauke, naudokite tik lauke naudoti skirtus ilginamuosius laidus. Naudojant tinkamą laukui laidą sumažinama elektros smūgio tikimybė.
- Jei būtina naudotis elektriniu įrankiu drėgnomis oro sąlygomis, naudokite likutinės srovės prietaisą (RCD). Naudojant RCD sumažinama elektros smūgio tikimybė.

ASMENINĖ SAUGA

- Dirbdami su prietaisu būkite budrūs, stebėkite, ką darote bei vadovaukitės sveika nuovoka. Nenaudokite įrankio, jei esate pavargę, paveikti kvaišalų, alkoholio ar vaistų. Neatidumas darbo su elektriniu įrankiu metu gali sukelti sunkius sužeidimus.
- Dėvėkite asmenines apsaugos priemones. Visada dėvėkite akių apsaugos priemones. Apsauginės priemonės, pavyzdžiui, apsauginės kaukės, batai neslidžiais padais, šalmas arba klausos apsaugos priemonės, naudojamos atitinkamomis darbo sąlygomis, sumažins pavojų susižaloti.
- Saugokitės, kad įrankis netyčia neužsivestų. Prieš prijungdami gaminį prie maitinimo ir (arba) akumuliatorių bloko, jį keldami arba nešdami įsitikinkite, kad jungiklis būtų išjungimo padėtyje. Nešant elektrinius įrankius ir laikant pirštą ant įjungimo jungiklio arba prijungiant elektrinius įrankius esant įjungtam jungikliui gali kilti nelaimingų atsitikimų.
- Prieš įjungiant elektrinį įrankį, išimkite derinimo raktą ar veržliaraktį. Jei juos paliksite pridėtus prie besisukancios įrankio dalies, galite susižaloti.
- Nesiekite per toli. Visada tvirtai stovėkite ir išlaikykite pusiausvyrą. Tai padės geriau kontroliuoti įrankį netikėtų situacijų metu.
- Dėvėkite tik darbui tinkamus drabužius. Nedėvėkite laisvų, nepriglundusių drabužių ir juvelyrinių dirbinių. Saugokitės, kad judančios dalys neįtrauktų plaukų ir drabužių. Laisvi drabužiai, papuošalai ar ilgi plaukai gali įsipainioti į judančias prietaiso detales.
- Jei pateikiami prietaisai dulkių ištraukimo ir surinkimo įrenginiais prijungti, būtinai tinkamai juos prijunkite ir naudokite. Naudojant dulkių surinkimo sistemą galima sumažinti dulkių keliamus pavojus.
- Nepasitikėkite vien savo patirtimi, įgyta dažnai naudojantis įrankiais,– neignoruokite įrankio naudojimo saugos taisyklių. Aplaidus veiksmas akimirksniu gali sukelti sunkų sužalojimą.

ELEKTRINIO ĮRANKIO NAUDOJIMAS IR PRIEŽIŪRA

- Nenaudokite įrankio jėga. Reikia pasirinkti ir naudoti tinkamą paskirčiai gaminį. Tinkamu gaminiu šlifavimo darbai bus atliekami geriau, saugiau ir



reikiamu projekciniu greičiu.

- **Nenaudokite elektrinio įrankio, jei jungiklio negalite įjungti ir išjungti.** Jungikliu nevaldomas elektrinis įrankis yra pavojingas ir jį reikia taisyti.
- **Ištraukite kištuką iš energijos šaltinio ir (arba) išimkite iš elektrinio įrankio akumuliatorių, ir tik po to atlikite elektrinių įrankių reguliavimo, priedų keitimą arba paruošimo sandėliavimui darbus.** Tokios prevencinės saugos priemonės sumažina pavojų, kad gaminys netyčia įsijungs.
- **Laikykite elektrinį įrankį vaikams neprieinamoje vietoje ir neleiskite juo naudotis asmenims, kurie nemoka juo naudotis.** Neįgudusiems asmenims elektriniai įrankiai yra pavojingi.
- **Pržiūrėkite elektrinius įrankius ir priedus. Patikrinkite judančių detalių nesutapimus, sukibimą, ar sumontuotos detalės nesulūžusios bei kitą būklę, kuri gali turėti neigiamos įtakos įrankio veikimui. Jei įrankis sugedęs, prieš naudojimą jį reikia suremontuoti.** Nemažai nelaimingų atsitikimų įvyksta dėl netinkamai pržiūrėtų prietaisų.
- **Pjovimo įrankiai privalo būti aštrūs ir švarūs.** Pržiūrėkite, kad pjovimo įrankiai būtų švarūs ir aštrūs. Tinkamai pržiūrimi pjovimo įrankiai su aštriais ašmenimis mažiau sukimba ir juos lengviau valdyti.
- **Gaminį, priedus, įrankių antgalius ir kt. naudokite laikydamiesi šių instrukcijų, atsižvelgdami į darbo sąlygas ir darbo, kurį reikia padaryti, pobūdį.** Naudokite elektrinį įrankį tik pagal tiesioginę paskirtį, kitaip sukelsite pavojingą situaciją.
- **Rankenos ir paviršiai, už kurių yra laikomas įrankis, privalo būti sausi, švarūs, netepaluoti ir nealyvuoti.** Slidžios rankenos ir laikymo paviršiai neleidžia saugiai naudotis įrankiu ir suvaldyti jo netikėtomis sąlygomis.

TECHNINĖ PRIEŽIŪRA

- **Elektrinį įrankį turi remontuoti tik kvalifikuoti darbuotojai, kurie naudoja identišką atsarginę dalis.** Tai užtikrina elektrinio įrankio saugumą.

STALINIO ŠLIFUOTUVO NAUDOJIMO SAUGOS ĮSPĖJIMAI

- **Būtina dėvėti apsauginius akinius ir dulkių kaukę.**
- **Naudokite ausų apsaugos priemones.** Jei ausų neapsaugosite, galite prarasti klausą.
- **Šis įrenginys netinka galandimui šlapiuoju būdu.**
- **Nenaudokite pažeistų priedų.** Kiekvieną kartą prieš naudodami patikrinkite priedus, pavyzdžiui, abrazyvinius diskus, ar nėra atplaišų ir įtrūkimų. Patikrinus ir pakeitus priedą, nuo besisukančio priedo plokštės būtina pasitraukti toliau nei leisti žiūrovams arti jo stovėti. Po to elektrinį įrankį reikia įjungti ir leisti jam vieną minutę veikti didžiausiu greičiu. Šio patikrinimo metu, pažeisti priedai paprastai sulūžta.
- **Priedo nustatytas greitis turi būti lygus bent didžiausiam greičiui, pažymėtam ant elektrinio įrankio.** Priedai, kurie sukasi didesniu nei jų nustatytu greičiu, gali sulūžti, atsiskirti ir skrieti į šonus.
- **Niekada negaląskite galandimo disko šonu.** Galandant šonu, diskas gali suskilti, o jo dalys išsilakstyti į šalis.
- **Kištuką reikia įkišti į jį atitinkantį lizdą, kuris būtų tinkamai instaliuotas ir įžemintas pagal vietos kodus ir tvarką.** Jei abejojate, iškvieskite kvalifikuotą elektriką, kad patikrintų lizdą.
- **Prieš darbą reikia patikimai pritvirtinti įrenginį prie darbatalio, šlifavimo stovo ar kito standaus rėmo.** Neįtvirtintas gaminys yra nestabilus ir dirbant gali pajudėti. Kyla turtinės žalos ir sužeidimų pavojus.
- **Pjovimo staklių nenaudokite be stalo tarpiklio.**
- **Visada naudokite įrenginį, sumontavę galandimo diskus ant abiejų velenų, kad sumažėtų rizika prisiliesti prie besisukančio veleno.**
- **Visada naudokite apsauginius gaubtus, ruošinių atramas, skaidriuosius skydus ir kibirkščių gaudiklius, privalomus naudojant atitinkamą priedą (-us).**
- **Visada sureguliuokite ruošinį atramą, kad ruošinio atrama ir galandimo disko liestinė visada sudarytų didesnį nei 85° kampą.**
- **Prieš darbą patikrinkite įrenginio komponentus ir visus priedus, įsitikinkite, kad nėra jokių problemų, galinčių trukdyti tinkamam darbui.** Priveržkite šlifavimo disko tvirtinimo varžles, tvirtinimo varžtus ir visus spaustuvus bei apsauginius įtaisus.
- **Prieš kiekvieną įjungimą tikrinkite šlifavimo disko sveikumą.** Nenaudokite sugadintų arba deformuotų diskų. Sugadintą šlifavimo diską pakeiskite vadovaudamiesi instrukcijomis.
- **Prieš kiekvieną įjungimą tikrinkite, ar diskas laisvai sukasi.** Įrenginį išjungę ir atjungę nuo maitinimo tinklo, atsargiai sukite diską ranka. Diskas turi neliesi jokių stalinio šlifavimo komponentų, jis turi nestrigti, turi nebūti jokių kitų problemų, galinčių trukdyti tinkamam darbui.
- **Prieš kiekvieną paleidimą atsistokite šalia įrenginio ir tada įjunkite.** Vieną minutę leiskite šlifavimui veikti visu greičiu, kad išaiškėtų visi neaptikti trūkumai ar disko įtrūkimai. Nelieskite disko ruošiniu, kol įrenginys nepasiekė viso greičio.
- **Rankas ir kitas kūno dalis laikykite atokiai nuo šlifavimo diskų.** Palietę besisukančią diską, galite susižeisti.
- **Visada naudokite apsauginius gaubtus ir skaidriuosius skydus.** Apsauginiai gaubtai turi būti savo vietoje ir gerai veikti. Naudojant gaminį be apsauginių įtaisų arba su sugadintais apsauginiais įtaisais kyla sužeidimo pavojus.
- **Saugokitės nudegimų.** Šlifuojant, ruošiniai ir šlifavimo diskas gali įkaisti. Nelieskite šlifavimo disko ar ruošinių, kurie gali būti įkaitę.
- **Nenaudokite įrenginio šlifuoti mažoms detalėms arba**



ruošiniams, kurių negalima tinkamai laikyti. Ruošinys gali būti išsviestas ir sužeisti.

- Niekada nešlifukite disko šonu. Diskas gali suskilti. Šlifukite tik briauniniu disko paviršiumi.
- Niekada nepalikite veikiančio įrankio be priežiūros. Išjunkite įrankį. Įrankį išjungus, šlifavimo diskas ir toliau sukasi. Neatsitraukite nuo įrankio, kol jis visiškai nesustoja.
- Niekada nekiškite rankų už šlifavimo diskų ar po jais.
- Jei dirbate ilgai, naudokite klausos apsaugos priemonės, pvz., kištukus ar ausines.
- Prieš reguliuodami įrankį, atlikdami techninės priežiūros darbus visada ištraukite kištuką iš maitinimo lizdo. Atliekant įrenginio priežiūros darbus maitinimo laidas turi būti atjungtas nuo maitinimo tinklo.
- Dažnai pakartotinai sureguliuokite ruošinių atramas ir kibirkščių gaudiklius, kad būtų kompensuotas galandimo diskų nusidėvėjimas.
- Prireikus reguliuokite ruošinių atramas, kad atstumas tarp ruošinių atramų ir šlifavimo diskų būtų kuo mažesnis. Šis atstumas turi būti 2 mm ar mažesnis. Laikui bėgant šlifavimo disko skersmuo mažėja, todėl reikia reguliuoti maksimalų ruošinio atramos atstumą.
- Prireikus reguliuokite kibirkščių stabdiklius, kad atstumas tarp kibirkščių stabdiklių ir šlifavimo diskų būtų kuo mažesnis. Šis atstumas turi būti 2 mm ar mažesnis. Laikui bėgant šlifavimo disko skersmuo mažėja, todėl reikia reguliuoti maksimalų kibirkščių stabdiklių atstumą.
- Pakeiskite nusidėvėjusį diską, kai bus nebeįmanoma išlaikyti 2 mm tarpo tarp kibirkščių gaudiklio / ruošinio atramos ir disko.
- Jei kibirkščių gaudiklis arba ruošinio atrama nusidėvi arba sugadinama, pakeiskite ją identiška dalimi, kurią galite įsigyti įgaliotajame techninės priežiūros centre.
- Montuodami naują šlifavimo diską būtinai tikrinkite, ar nurodyta maksimali aps./min. vertė yra lygi nurodytajai ant įrenginio arba didesnė. Įsitinkite, kad disko skersmuo ir tvirtinimo detalės dydis atitinka nurodytuosius specifikacijose. Taip pat tikrinkite, ar naujas diskas nesugadintas, pvz., ar nėra įtrūkimų ar kitų trūkumų.

ŠLIFAVIMO DISKO NAUDOJIMO SAUGOS INSTRUKCIJOS

⚠ ĮSPĖJIMAS

Kad sumažėtų pavojus susižeisti, prieš naudodamas šį šlifavimo diską naudotojas privalo perskaityti nurodymus, įspėjimus ir naudojimo instrukciją bei jomis vadovautis. Nesilaikant šių perspėjimų, gali sulūžti diskas ir sunkiai susižeisti dirbuotojai. Išsaugokite šias instrukcijas.

- Naudojant bet kokią kitą diską nei rekomenduojama įrenginio naudojimo instrukcijoje, kyla pavojus susižeisti. Naudokite tik šlifavimo diskus, ant kurių nurodytas greitis yra lygus nurodytajam ant įrenginio arba didesnis.
- Niekada nenaudokite per storo pjovimo disko, dėl kurio išorinė disko jungė negali sukibti su ašies plokštumomis. Didesni diskai liečiasi į disko apsauginius gaubtus, o storesni diskai neleidžia jo varžtui tvirtai priveržti disko ant ašies. Bet kuri iš šių situacijų gali sukelti nelaimingą atsitikimą bei jus sunkiai sužeisti.
- Šis diskas skirtas metalui šlifuoti ir formuoti. Nebandykite atlikti pjovimo darbų.
- Šis šlifavimo diskas tinka tik sausam šlifavimui.
- Nenaudokite sugadintų šlifavimo diskų, nenaudokite diskų, kurie yra atsilupę, įtrūkę ar netinkami dėl kitų priežasčių.
- Prieš naudodami patikrinkite, ar abrazyvinis šlifavimo diskas yra tinkamai uždėtas ir priveržtas.
- Uždedant arba nuimant šlifavimo diskus įrenginys turi būti atjungtas nuo maitinimo tinklo.
- Atsarginį šlifavimo diską laikykite tinkamai.
 - Laikykite diską originalioje pakuotėje, jei įmanoma.
 - Laikykite diską sausoje vietoje kambario temperatūroje.
 - Diskus galima laikyti vertikaliai ant lentynos.
 - Saugokite diskus nuo kritimo ar smūgių.

Informacija, nurodyta šlifavimo disko etiketėje

Disko etiketėje nurodyta informacija yra svarbi. Atidžiai ją perskaitykite ir įsitinkite, kad pasirinkote tinkamo tipo diską.

1. gamintojas, tiekėjas, importuotojas arba prekyženklis
2. Vardiniai šlifavimo disko matmenys, ypač angos skersmuo.
3. Šlifuojamosios medžiagos tipas, grūdelių dydis, klasė ar kietumas, klijavimo tipas ir ar naudojamos tvirtinimo priemonės.
4. Maksimalus naudojimo greitis metrais per sekundę.
5. maksimalus galimas sukimosi greitis 1/min
6. Atitiktis deklaracijoje abrazyviniai produktai pažymimi pagal EN 12413.
7. naudojimo apribojimas ir saugos perspėjimieji simboliai
8. atsekamumo kodas, pvz., gaminio / partijos numeris, serijos numeris

Disko gali tėti pakeisti toliau nurodytomis aplinkybėmis.

1. Jei nevienodai nusidėvi galandimo disko paviršius, jei jis tampa griovėtas arba yra nebeglotnus ir nebelygus.
2. Jei galandimo diskas nebėra apvalus.
3. Jei disko paviršius apsineša medžiaga ir nuo jos atbunka.
4. Jei yra kokių nors kitų disko pažeidimo požymių.
5. Jei juo tampa sunku atlikti darbą.
6. Jei tarp ruošinio atramos / kibirkščių gaudiklio ir disko paviršiaus nebeįmanoma nustatyti ≤ 2 mm tarpo.





7. Jei ≤ 1 cm disko kyšo iš už jungės. Žr. patarimus, pateiktus 147 puslapyje.

ŠALUTINIS PAVOJUS

Net naudojant gaminį griežtai pagal paskirtį neįmanoma visiškai atmesti kai kurių liktinių rizikos veiksnių. Būkite budrus atlikdami priežiūros ar valymo darbus: po įrankio naudojimo geležtė kurį laiką išlieka įkaitusi.

- Pavojus paliesti neapsaugotas besisukančio rato dalis.
- Pavojus nudegti palietus įkaitusį diską arba ruošinį.
- Nedėvint veiksmingos priešdulkinės puskaukės, pakenkiama kvėpavimo sistema.
- Jei nedėvima tinkama ausų apsauga – pakenkimas klausai.

GERAI IŠMANYKITE APIE GAMINĮ

Žiūrėti 141 psl.

1. Skaidrusis skydas x 2
2. Kibirkščių stabdiklis x 2
3. Disko apsauginis gaubtas x 2
4. Šlifavimo diskas x 2
5. Darbinė atrama x 2
6. Įjungimo / išjungimo mygtukas
7. Montavimo anga x 4
8. Darbinės atramos fiksavimo rankenėlė x 2

PRIEŽIŪRA

- Gaminio negalima modifikuoti arba naudoti gamintojo nepatvirtintus priedus. Gali kilti pavojus jūsų bei kitų asmenų saugai.
- Gaminio negalima naudoti, jeigu netinkamai veikia jungikliai, apsauginiai įtaisai ar kitos dalys. Nugabenkite į įgaliotą techninio aptarnavimo centrą, kad sutaisytų ar sureguliuotų specialistai.
- Neatlikite jokių reguliavimo darbų, kai įrenginys veikia.
- Prieš atliekant gaminio reguliavimo, tepimo ar priežiūros darbus, būtina reikia patikrinti, ar kištukas ištrauktas iš maitinimo tinklo lizdo.
- Kiekvieną kartą prieš gaminį naudojant ir jį panaudojus reikia patikrinti, ar nėra pažeistų ar sugedusių dalių. Turi būti palaikoma geriausia gaminio darbo būklė; netinkamas dalis reikia nedelsiant pakeisti gamintojo patvirtintomis atsarginėmis dalimis.
- Susikaupusias dulkes reikia nubraukti šepečiu arba susiurbti dulkių siurbliu. Nenaudokite suslėgto oro.
- Siekiant užtikrinti saugą ir patikimumą, visi remonto darbai, įskaitant šepečių keitimą, turi būti atliekami įgaliotame techninio aptarnavimo centre.
- Jei pažeistas laidas, kad išvengtumėte pavojų, jį pakeisti turi įgaliotasis serviso centras.

⚠ ĮSPĖJIMAS

Siekiant užtikrinti saugumą ir įrankio patikimumą, visi remonto darbai turi būti atliekami ĮGALIOTAME TECHNINĖS PRIEŽIŪROS CENTRE ar kitoje KVALIFIKUOTOJE TECHNINĖS PRIEŽIŪROS ĮMONĖJE.

GABENIMAS IR LAIKYMAS

- Padedant gaminį į saugyklą, reikia atjungti maitinimo laidą.
- Valykite įrenginį šepečiu ir dulkių siurbliu.
- Įrenginį visada neškite ir kelkite, kaip nurodyta šioje naudojimo instrukcijoje.
- Saugokite įrenginį nuo stiprių smūgių ir stiprios vibracijos, kurių gali kilti transportuojant įrenginį transporto priemonėmis.
- Pritvirtinkite įrenginį, kad jis nepajudėtų ir nenuvirstų.
- Įrenginį ir jo priedus laikykite sausoje saugioje, vaikams nepasiekiamoje vietoje.
- Įrenginį rekomenduojame laikyti originalioje pakuotėje, kad jis būtų apsaugotas nuo dulkių.

APLINKOS APSAUGA



Žaliavines medžiagas perdirbkite pakartotinai, o ne išmeskite kaip atliekas. Mechanizmas, priedai ir pakuotės turi būti laikomi pakartotinai perdirbti aplinkai nekenksmingu būdu.

SIMBOLIAI ANT ĮRENGINIO



Saugos perspėjimas



Prieš pradėdami naudoti šį prietaisą, prašome atidžiai perskaityti šias instrukcijas.



CE atitikties ženklas



„EurAsian“ atitikties ženklas.



Ukrainos atitikties ženklas

001



Dėvėkite klausos apsaugos priemones



Dėvėkite akių apsaugos priemones



Neskirtas šlifavimui ar pjovimui drėgnuoju būdu



Nenaudokite nuskilusio, įskilusio ar pažeisto šlifavimo disko



Mūvėkite apsaugines pirštines



Disko sukimosi kryptis (nurodyta ant disko etiketės)



Disko sukimosi kryptis (nurodyta ant disko apsauginio gaubto)



Elektrinių produktų atliekos neturi būti metamos kartu su namų ūkio atliekomis. Prašome perdirbkite jas ten, kur yra tokios perdirbimo bazės. Dėl perdirbimo patarimo kreipkitės į savo vietinę savivaldybę ar pardavėją.

SIMBOLIAI VADOVE



Prijunkite prietaisą prie maitinimo šaltinio.



Atjunkite įrankį nuo maitinimo šaltinio.



Detalės arba priedai yra parduodami atskirai

Šie signaliniai žodžiai yra skirti nurodyti su prietaiso naudojimu susijusio pavojaus lygį.

⚠ PAVOJUS

Rodo grėšiančią pavojingą situaciją, kurios neišvengus galima patirti mirtiną arba sunkų sužalojimą.

⚠ ĮSPĖJIMAS

Rodo potencialiai pavojingą situaciją, kurios neišvengus galima patirti mirtiną arba sunkų sužalojimą.



Lauakäia juures on peetud esmatähtsaks ohutust, töövõimet ja töökindlust.

OTSTARBEKOHANE KASUTAMINE

- See lauakäi on mõeldud metalli lihvimiseks ja vormimiseks. Toodet saab kasutada metallist käsitööriistade (nt peitlid, kirved, noad) ja puuriistade teritamiseks, kidade või teravate servade eemaldamiseks.
- Sobivate tarvikutega on toodet võimalik kasutada metallpindade puhastamiseks (kasutades metallharja) või poleerimiseks (kasutades poleerimisketast).
- Ärge kunagi kasutage toodet löikamiseks.

ÜLDISED OHUTUSREEGLID

⚠ HOIATUS

Lugege läbi kõik mehaanilise tööriista kohta esitatud ohuhoiatused ning tutvuge tööriista jooniste ja tehniliste andmetega. Allpool esitatud hoiatuste ja juhiste eiramise puhul on oht saada elektrilööki või raskeid kehavigastusi ning/või tekitada tulekahju.

Hoidke kõik hoiatused ja juhised edaspidiseks juhindumiseks alles. Hoiatuses kasutatav termin "mootortööriist" viitab võrgutoitega (juhtmega) tööriistale või akuga (juhtmata) tööriistale.

TÖÖKOHA OHUTUS

- Hoidke töökoht puhas ja hästi valgustatud. Korrastamata ja pimedas kohas töötamisel võivad juhtuda õnnetused.
- Ärge kasutage suruühötööriistu plahvatusohtlikes keskkondades, näiteks kergestisüttivate vedelike ja gaaside läheduses ega tolmuses kohas. Elektritööriistad tekitavad sademeid, mis võivad tolmu või auru süüdata.
- Elektritööriistaga töötamisel hoidke lapsed ja kõrvalised isikud eemal. Tähelepanu hajumise korral võib teil kontroll kaduda.

ELEKTRIOHUTUS

- Elektritööriistade pistikud peavad pistikupesaga sobima. Ärge püüdke pistiku konstruktsiooni mingil moel muuta. Ärge ühendage maanduskontaktiga (kordusmaandusega) elektritööriistu elektrivõrku läbi vahepistmike. Pistiku ja pistikupesaga konstruktsiooni muutmise korral tekib elektrilöögi oht.
- Töötamisel hoiduge kehalisest kontaktist maandatud pindadega, näiteks torude, radiaatorite, elektripliitide ja külmikutega. Kehaosade maandamisel suureneb elektrilöögi saamise oht.
- Ärge jätke tööriistu vihha kätte ega niiskesse kohta. Vee sattumisel elektrilise tööriista sisemusse suureneb elektrilöögi saamise oht.

- Ärge kasutage toitejuhet nõuetevastaselt. Ärge kasutage toitejuhet tööriista kandmiseks, vedamiseks või pistikupesast väljatõmbamiseks. Hoidke toitejuhe eemale küttekehast, õlist, teravatest servadest ja liikuvatest osadest. Vigastatud või keerdus toitekaablid suurendavad elektrilöögi ohtu.
- Väljas töötamisel kasutage välistingimustes kasutamiseks sobivaid pikendusjuhtmeid. Välistingimustele sobiva pikendusjuhtme kasutamine vähendab elektrilöögi ohtu.
- Kui elektritööriista kasutamine niisketes oludes on vältimatu, siis kasutage rikkevoolu-kaitselülitiga (RCD) kaitsitud vooluvõrku. RCD kasutamine vähendab elektrilöögi ohtu.

ISIKUKAITSE

- Olge töötamisel tähelepanelik, jägige, mida teete ja kasutage tööriistaga töötamisel tervet mõistust. Ärge kasutage seadet, kui olete väsinud või narkootiliste ainete, alkoholi või ravimite mõju all. Hetkeline tähelepanu hajumine tööriista kasutamise ajal võib põhjustada raske kehavigastuse.
- Kandke isikukaitsevahendeid. Kandke alati silmakaitsevahendeid. Oludele vastavad kaitsevahendid, nagu tolmumask, libsemist takistavad turvajalatsid, kiiver või kuulmiskaitsmed, vähendavad kehalisi vigastusi.
- Vältige tahtmatut käivitumist. Kontrollige, et lüliti on väljalülitatud asendis, enne kui ühendate toote vooluvõrguga ja/või akuga, võtate toote kätte või kannate seda. Kui elektriliste tööriistade kandmise ajal on sörm lülitil või sisselülitatud seade lülitatakse elektrivõrku, võib juhtuda õnnetus.
- Enne tööriista sisselülitamist eemaldage sellel reguleervõti või mutrivõti. Elektritööriista külge jäetud reguleervõti või mutrivõti võivad põhjustada raske kehavigastuse.
- Ärge küünitage end töötamisel liigselt välja. Hoidke end pidevalt jalgadel ja tasakaalus. Siis on teil ootamatu olukorra tekkimisel tööriista üle parem kontroll.
- Kandke töös sobivat riietust. Ärge kandke lõtvu riideid ega ehteid. Hoidke juukseid ja riided liikuvatest osadest eemal. Lahtised riietusesemed, ehted ja pikad juukseid võivad haakuda liikuvate osade külge.
- Kui on olemas detailid tolmu väljatõmbe- ja kogumisvahenditega ühendamiseks, veenduge, et need on ühendatud ja neid kasutatakse õigesti. Tolmu kogumine vähendab tolmuga seotud ohte.
- Ärge muutuge hooletuks ega ignoreerige tööriista ohutusnõudeid, kui te seadet juba tunnete ja olete seda tihti kasutanud. Hooletus võib põhjustada raskeid vigastusi juba sekundi murdosa jooksul.



ELEKTRITÖÖRIISTA KASUTAMINE JA KORRASHOID

- **Ärge kasutage töötamisel liigset jõudu. Kasutage tööks sobivat elektritööriista.** Õigesti valitud tööriist töötab paremini ja ohtumatal selles võimsuspiirkonnas, millele see on ette nähtud.
- **Ärge kasutage elektritööriista, kui lüliti ei lülita seda sisse ja välja.** Lülitiga lülitamata tööriista kasutamine on ohtlik ja see tuleb lasta ära remontida.
- **Enne tööriista reguleerimist, tarvikute vahetamist või tööriista hoiustamist ühendage pistik vooluallikast lahti ja/või eemaldage võimalusel tööriista aku.** Need ennetavad ohutusmeetmed vähendavad toote ootamatu käivitumise riski.
- **Hoidke kasutuses mitteolevaid elektritööriistu lastele kättesaamatus kohas ja ärge lubage elektritööriista mittetundvaid või kasutusjuhendiga mittetutvunud isikuid elektritööriista kasutada.** Oskamatu kasutaja käes olev elektritööriist on ohtlik.
- **Hooldage elektritööriista ja tarvikuid. Kontrollige liikuvate osade mittetsentreeritust ja kinniteid, osade vigastusi ning tehke kindlaks muud seisundid, mis võivad mõjustada elektriseadme tööd.** Kui mõni osa on vigastatud, siis laske seade enne kasutamist ära parandada. Halvasti hooldatud tööriista põhjustavad palju õnnetusi.
- **Hoidke löiketerad teravad ja puhtad.** Hästi hooldatud teravate löikeservadega löikeriistad kiiluvad kinni väiksema tõenäosusega ja neid on lihtsam juhtida.
- **Kasutage toodet, tarvikuid ja otsakuid kooskõlas nende juhistega ning võttes arvesse töötingimusi ja teostatavat tööd.** Tööoperatsiooniks mitte ettenähtud elektritööriista kasutamine võib tekitada ohtliku olukorra.
- **Hoidke käepidemed ja haardepinnad kuivad, puhtad ning õli- ja määrdevabad.** Ootamatutes olukordades ei saa libedate käepidemete ja haardepindadega tööriista ohutult käsitseda ega kontrollida.

HOOLDUS

- **Laske oma elektrilist tööriista hooldada väljaõppinud teenindustöötajal. Remontimisel tohib kasutada ainult originaalvaruosi.** See tagab hooldatud seadme elektriohtuse.

LAUAKÄIA OHUTUSJUHISED

- **Kandke alati turvaprille ja tolmumaski.**
- **Kasutage kuulmiskaitsevahendeid.** Tugev müra võib põhjustada kuulmiskaotuse.
- **See toode ei sobi märglihvimiseks.**
- **Ärge kasutage vigastatud tarvikuid.** Alati enne kasutamist kontrollige, kas tarvikutel (nt lihvketas) esineb pragusid. Pärast tarviku ülevaatamist ja paigaldamist hoidke ennast ning kõrvalseisjad pöörleva tarviku pöörlemistasapinnast eemal ja käituge tööriista ühe minuti jooksul maksimaalsel pöörlemiskiirusel ilma koormuseta. Vigastatud tarvik
- puruneb selle aja jooksul tavaliselt tükki.
- **Tarviku lubatud nimikiirus peab olema vähemalt võrdne mehaanilisele tööriistale märgitud maksimaalse kiirusega.** Tarvikud, mis ületavad nende ettenähtud kiiruse, võivad puruneda ja tükki lennata.
- **Ärge kunagi lihvide lihvketta servaga.** Servaga lihvides võib ketas puruneda ja eemale lennata.
- Pistikut tohib ühendada sobivasse pistikupessa, mis on õigesti paigaldatud ja maandatud ning vastab siseriiklikele seadustele ja määrustele. Kui te ei ole kindel, laske atesteeritud elektrikul pistikut kontrollida.
- Enne töö alustamist paigaldage toode kindlalt tööpingile, alusele või mõnele teisele stabiilsele raamile. Kinnitamata toode on ebastabiilne ja võib töötamise ajal liikuda. See võib põhjustada kahjustusi või vigastusi.
- Tagage piisav üld- ja kohtvalgustus, et vältida stroboskoopilist efekti ja riske.
- Toote kasutamise ajal peavad mõlemad lihvkettad spindlite küljes olema, et vähendada pöörlevate spindlitega kokkupuute ohtu.
- Tarviku(te)ga koos kasutage alati nõutavaid kettakaitseid, detailitugesid, läbipaistvaid sirme ja sädemesuunajaid.
- Detailitoe ja lihvketta puutejoone vaheline nurk peab olema suurem kui 85°.
- Enne töötamise algust kontrollige toote osasid ja tarvikuid ning veenduge, et miski ei sega korralikku töötamist. Keerake kinni käiakivi lukustusnupud ja -poldid ning kõik klambrid ja kaitseid.
- Iga kord enne käivitamist kontrollige, kas käiakivil on vigastusi. Ärge kasutage kahjustatud ega moondunud käiakivi. Vahetage kahjustatud käiakivi välja vastavalt juhistele.
- Iga kord enne käivitamist kontrollige, kas käiakivi pöörleb vabalt. Kui toode on vooluvõrgust välja lülitatud ja lüliti on asendis OFF, keerutage käiakivi ettevaatlikult käega. Käiakivi ei tohi kokku puutuda lauakäia ühegi osaga ning tagatud peavad olema kõik tingimused, et tagada toote korrektne töötamine.
- Käivitamisel seiske alati toote kõrval ja vajutage lüliti asendisse ON. Laske käial töötada täiskiirusel ühe minuti jooksul, et ilmneksid käiakivi varjatud vead ja praod. Ärge pange töödetaali vastu käiakivi pinda, enne kui toode on saavutanud täiskiiruse.
- Hoidke käed ja kehaosad käiakividest eemal. Kokkupuude pöörleva käiakiviga võib põhjustada vigastusi.
- Kasutage alati kettakaitseid ja läbipaistvaid sirme. Hoidke kaitsekatted oma kohtadel ja nõutavas korras. Toote kasutamine ilma kaitsete või kahjustunud kaitsetega võib põhjustada vigastusi.
- Vältige põletusi. Lihvimise käigus võivad esemed ja käiakivi kuumaks minna. Ärge puudutage käiakivi ega esemeid, mis võivad olla kuumad.
- Ärge töödelge väikesi esemeid või esemeid, millest





ei ole võimalik korralikult kinni hoida. Ese võib õhku paiskuda ja põhjustada vigastusi.

- Ärge kunagi lihvige käiakivi servaga. Käiakivi puruneb. Kasutage lihvimiseks ainult käiakivi esikülge.
- Ärge jätke masinat pöörlema järelevalveta. Lülitage tööriist välja. Lihvketas pöörleb edasi ka siis, kui tööriist on välja lülitatud. Ärge lahkuge masina juurest enne, kui see on täielikult seiskunud.
- Ärge küünitage kunagi käiakivide taha või alla.
- Pikaajalisel töötamisel kasutage kõrvakaitsmeid (nt kõrvatropid või -muhvid).
- Enne reguleerimist, hooldamist, teenindamist või hooldamist tõmmake pistik välja. Ühendage toode vooluvõrgust lahti alati, kui teostate hooldustöid.
- Reguleerige detailitugesid ja sädemesuunajaid sageli, et korvata lihvketaste kulumist.
- Vajadusel reguleerige detailitugesid, et vahemaa detailitoe ja lihvketta vahel oleks võimalikult väike. See vahemaa peab olema kas 2 mm või väiksem. Kuna lihvketta läbimõõt kasutades väheneb, reguleerige detailituge, et säilitada selle maksimaalne vahemaa.
- Vajadusel reguleerige sädemesuunajaid, et vahemaa sädemesuunaja ja käiakivi vahel oleks võimalikult väike. See vahemaa peab olema kas 2 mm või väiksem. Kuna käiakivi läbimõõt kasutades väheneb, reguleerige sädemekaitset, et säilitada selle maksimaalne vahemaa.
- Vahetage kulunud lihvketas uue vastu, kui sädemesuunaja või detailitoe ja ketta vahel ei ole enam võimalik 2 mm vahet säilitada.
- Kui sädemesuunaja või detailitugi kulub läbi või on kahjustunud, asendage see volitatud teenindusest saadud identse varuosaga.
- Uue lihvketta paigaldamisel kontrollige alati, et lihvketalle märgitud maksimaalne pöörlemiskiirus on sama või suurem kui seadmel. Veenduge, et käiakivi läbimõõt ja vööli suurus vastavad spetsifikatsioonis toodud näitudele. Kontrollige ka uut kivi, et sellel ei esine kahjustusi (nt täkkeid või mörasid).

KÄIAKIVI OHUTUSJUHISED

⚠ HOIATUS

Vigastusteohu vähendamiseks peab kasutaja enne lihvmasina kasutamist läbi lugema kasutusjuhendi ja järgima selles antud juhiseid ja hoiatusi. Nende hoiatuste eiramine võib põhjustada tõsise kehavigastuse. Hoidke käesolev juhend alles.

- Mõne teise lihvketta kasutamine, mida ei ole soovitatud masina tehnilises juhendis, võib põhjustada kehaliisi vigastusi. Kasutage ainult neid lihvketaid, mille kiirus on sama või suurem kui masinal.
- Ärge mingil juhul kasutage liiga paksu lõikeketast, mida ei saa spindli kinnitusaärikute vahele kinnitada. Liiga

suure läbimõõduga lõikeketast satuvad kokkupuutesse kettakaitsesega ja paksemad saekettad ei võimalda kinnitamist tööpingi spindlile. Mõlemad nendest olukordadest võivad põhjustada raske õnnetuse ja põhjustada raske kehavigastuse.

- See käiakivi on metalli lihvimiseks ja vormimiseks. Ärge proovige sellega lõigata.
- See käiakivi sobib vaid kuivilhvimiseks.
- Ärge kasutage kahjustatud käiakive; ärge kasutage kettaid, millel on täkkes, mörad või mis on muul viisil vigased.
- Enne kasutamist veenduge, et käiakivi on õigesti paigaldatud ja kinnitatud.
- Masin ei tohi kunagi olla toitevõrku ühendatud, kui te paigaldate või eemaldate käiakive.
- Hoiustage varukäiakivi hoolikalt.
 - Võimalusel hoidke käiakivi originaalpakendis.
 - Hoiustage käiakivi kuivas keskkonnas toatemperatuuril.
 - Käiakivisid võib hoiustada riuilil vertikaalasendis.
 - Hoidke käiakivisid kukkumise ja löögi eest.

Käiakivi etiketil olev teave

Käiakivi etiketil olev teave on tähtis. Lugege ja kontrollige seda hoolikalt, et valiksite õiget tüüpi kivi.

1. tootja, tarnija, importija või kaubamärk
2. Käiakivi nimimõõtmed, eriti ava läbimõõt.
3. Lihvimise tüüp, tera suurus, klass või kõvadus, haakumise tüüp ja jäikuse kasutamine.
4. Maksimaalne töökiirus m/sek.
5. suurim lubatav pöörlemiskiirus, 1/min
6. Vastavusdeklaratsioonis märgitakse lihvimistoodete vastavus standardiga EN 12413.
7. kasutuspiirangud ja ohuhoiatused sümbolid
8. jäljitemiskood, nt toote / partii number, seerianumber

Lihvketas tuleb võibolla välja vahetada järgmistel juhtudel.

1. Kui lihvketta pind on kulunud ebaühtlaselt, muutub sooniliseks või ei ole enam sile ja tasane.
2. Kui lihvketas ei ole enam ümmargune.
3. Kui lihvketta pinnal on töödeldava detaili tükikesi ja see muutub nürks.
4. Kui sellel on märke kulumisest.
5. Kui sellega on keeruline töötada.
6. Kui detailituge või sädemesuunajat ei ole võimalik lihvketast ≤ 2 mm kaugusele reguleerida.
7. Kui äärikust ulatub välja ≤ 1 cm lihvketast. Vt nõuandeid lk 147.

JÄÄKRISKID

Isegi siis, kui seadet kasutatakse kirjeldatud viisil, ei ole võimalik kõrvaldada kõiki jääkriskide mõjureid. Töötamise ajal võivad tekkida järgmised ohud, millele operaator peab pöörama erilist tähelepanu.

- Kokkupuute oht pöörleva käiakivi kaitsmata osadega.



- Põletuse oht kokkupuutel tulise käiakivi või töödetailliga.
- Hingamisteede kahjustused, kui ei kanta nõutava kaitsevõimega tolmu maski.
- Kuulmiskahjustused, kui ei kanta nõutava kaitsevõimega kuulmiskaitset.

ÕPPIGE OMA TOODET TUNDMA

Vt lk 141.

1. Läbipaistev sirm x 2
2. Sädemesuunaja x 2
3. Kettakaitse x 2
4. Lihvketas x 2
5. Detailitugi x 2
6. „Sisse/välja“-lüüti
7. Kinnitusava x 4
8. Detailitoe lukustusnupp x 2

HOOLDUS

- Ärge püüdke seadme konstruktsiooni mingil viisil muuta ega kasutage varuosi või tarvikuid, mis pole tootja poolt soovitatud. Teie ja kõrvalolijate turvalisus võib olla ohustatud.
- Ärge kasutage seadet kuni mõni lüüti, kaitsekate või funktsioon ei tööta nagu ette nähtud. Andke need volitatud hoolduskeskusesse remondiks või reguleerimiseks.
- Ärge tehke mingeid reguleerimistöid, kui masin töötab.
- Enne reguleerimist, määrimistööde või muude masina hooldustööde alustamist veenduge, et pistik on pistikupesast välja võetud.
- Kontrollige seade enne ja pärast kasutamist vigastuste ning purunenud osade suhtes üle. Hoidke seadet heas töökorras, selleks asendage osad nende varuosadega, mis on tootja poolt heaks kiidetud.
- Pühkige ära kogunenud tolm harjaga või tolmuimejaga. Ärge kasutage suruõhku.
- Kõik remonttööd, kaasa arvatud mootori kontaktharjade vahetamine, tuleb lasta teha volitatud hoolduskeskuses, et tagada masina ohutus ja töövõime.
- Kui toitejuhe on kahjustatud, tuleb see volitatud teeninduskeskuses välja vahetada, et vältida ohtu.

⚠ HOIATUS

Ohutuse ja töökindluse tagamiseks tuleb parandustööd lasta teha **VOLITATUD HOOLDUSKESKUSES** või **MUUS PÄDEVAS HOOLDUSETTEVÕTTES**.

TRANSPORTIMINE JA HOIUSTAMINE

- Seadme hoiustamise ajaks ühendage toitejuhe lahti.
- Toote puhastamiseks kasutage harja ja tolmuimejat.
- Juhiseid toote kandmise ja tõstmise kohta leiate kasutusjuhendist.

- Sõidukites transportimise ajal kaitske toodet võimalike tugevate löökide või vibratsiooni eest.
- Kinnitage toode, et vältida selle libisemist või ümberkukkumist.
- Hoiustage toodet ja selle tarvikuid kuivas ja ohutus ning lastele ligipääsmatus kohas.
- Toote hoiustamisel soovitame kasutada originaalpakendit, et toodet tolmu eest kaitsta.

KESKKONNAKAITSE



Taaskasutage materjale nende jäätmekäitluse andmise asemel. Masin, selle lisaseadmed ja pakend tuleb jäätmekäitluseks keskkonnasõbralikult sorteerida.

MASINAL OLEVAD SÜMBOLID



Ohuhoiatus



Lugege enne masina kasutamist juhised hoolikalt läbi.



CE-vastavus



Euraasia vastavusmärk.



Ukraina vastavusmärgis



Kandke kuulmise kaitsevahendeid



Kandke silmade kaitsevahendeid



Ei ole ette nähtud märjalt lihvimiseks ega lõikamiseks



Ärge kasutage kildunud, pragunenud ja rikutud kettaid



Kandke turvakindaid



Lihvketta pöörlemissuund (näidatud ketta sildil)



Lihvketta pöörlemissuund (näidatud kettakaitsmel)



Mittekasutatavaid elektritooteid ei tohi visata olmejäätmete hulka. Vaid tuleb viia vastavasse kogumispunkti. Vajadusel küsige sellekohast nõu oma edasimüüjalt või vastavalt kohaliku omavalitsuse institutsioonilt.

KASUTUSJUHENDIS KASUTATUD SÜMBOLID



Pange toitejuhtme pistik pistikupesassa.



Tõmmake pistik pistikupesast välja.



Eraldi ostetavad osad või tarvikud

Järgnevad märguandesõnad ja tähendused on mõeldud selle toote kasutamise seotud riskitasemete kirjeldamiseks.

OHT.

Osutab ähvardavale ohuolukorrale, mille mittevältimine lõpeb surma või tõsise vigastusega.

HOIATUS

Osutab võimalikule ohuolukorrale, mille mittevältimine võib lõppeda surma või tõsise kehavigastusega.

ETTEVAATUST

Osutab võimalikule ohuolukorrale, mille mittevältimine võib lõppeda väiksemate või mõõdukate kehavigastustega.

ETTEVAATUST

(Ilma ohutussümbolita) Viitab olukorrale, mis võib põhjustada kahjustusi varale.



U dizajnu vaše stolne brusilice vodeću ulogu imaju sigurnost, performanse i pouzdanost.

NAMJENA

- Ova stolna brusilica namijenjena je brušenju i oblikovanju metala. Proizvod se može koristiti za oštrenje metalnih ručnih alata (npr. dljetka, sjekira, noževa) i svrdla za bušenje te za uklanjanje srhova ili oštih rubova.
- Korištenjem pravih dodataka, ovaj proizvod se može koristiti i za čišćenje metalnih površina (pomoću žičane četke) ili za fino brušenje i poliranje (pomoću ploča za poliranje).
- Nikada nemojte koristiti ovaj proizvod za rezanje.

OPĆA SIGURNOSNA PRAVILA ZA KORIŠTENJE AKU ALATA

UPOZORENJE

Pažljivo pročitajte sva upozorenja, upute i specifikacije priložene uz alat i pogledajte crteže. Nepoštivanje svih uputa može dovesti do električnog udara, požara i / ili teške ozljede.

Spremite sva upozorenja i upute za buduće korištenje. Pojam „električni alat“ u upozorenjima odnosi se na vaš električni alat (žični) napajan iz električne mreže ili električni alat na baterije (bežični).

SIGURNOST RADNOG PODRUČJA

- **Držite radni prostor čistim i dobro osvijetljenim.** Zatrpani i neosvijetljeni radni prostori izazivaju nezgode.
- **Nemojte rukovati električnim alatima u eksplozivnim atmosferama poput onih u kojima su prisutne zapaljive tekućine, plinovi ili prašina.** Električni alati stvaraju iskre koje mogu zapaliti prašinu ili pare.
- **Tijekom rada s električnim alatom držite podalje djecu i promatrače.** Ometanje može dovesti do toga da izgubite kontrolu.

ELEKTRIČNA SIGURNOST

- **Utikači električnog alata moraju odgovarati utičnici.** Nikada nemojte modificirati utikače ni na koji način. Nemojte koristiti nikakve adapter utikače s uzemljenim električnim alatima. Originalni utikači i odgovarajuće utičnice smanjuju opasnost od strujnog udara.
- **Izbjegavajte kontakt tijela s uzemljenim površinama poput cijevi, radijatora, štednjaka i hladnjaka.** Ako je vaše tijelo uzemljeno, povećava se opasnost od strujnog udara.
- **Nemojte izlagati električne alate kiši ili vlažnim uvjetima.** Ulazak vode u električni alat povećava opasnost od strujnog udara.
- **Nemojte zlorabiti kabel.** Nikada nemojte koristiti

kabel za nošenje, povlačenje ili isključivanje električnog alata. Držite kabel podalje od topline, ulja, oštih rubova ili rotirajućih dijelova. Oštećeni ili zapleteni kabeli povećavaju opasnost od strujnog udara.

- **Kada radite s električnim alatom na otvorenom, koristite produžni kabel prikladan za rad na otvorenom.** Korištenje kabela prikladnog za rad na otvorenom smanjuje opasnost od strujnog udara.
- **Ako se ne može izbjeći rad s električnim alatima u vlažnoj lokaciji koristite FID sklopku (RCD uređaj) za zaštitu napajanja.** Korištenje RCD uređaja smanjuje opasnost od električnog udara.

OSOBNJA SIGURNOST

- **Budite na oprezu, gledajte to što radite i pri radu s alatom koristite zdrav razum.** Nemojte koristiti alat kad ste umorni ili pod utjecajem droge, alkohola ili lijekova. Trenutak nepažnje pri radu s električnim alatima može dovesti do teških osobnih ozljeda.
- **Nosite osobnu zaštitnu opremu. Uvijek nosite zaštitna sredstva za oči.** Zaštitna oprema poput maske za zaštitu od prašine, protukliznih sigurnosnih cipela, kacige, ili opreme za zaštitu sluha korištena u odgovarajućim uvjetima smanjit će tjelesne ozljede.
- **Izbjegavajte slučajno pokretanje.** Prije priključivanja na izvor napajanja i/ili bateriju, podizanja ili prenošenja proizvoda, uvijek provjerite je li prekidač za paljenje u isključenom položaju. Prenosanje električnih alata s prstom na prekidaču za paljenje proizvoda ili stavljanje pod napon električnih alata koji imaju upaljen prekidač za paljenje priziva nesreće.
- **Prije uključivanja električnog alata uklonite sve klinove za podešavanje i ključeve.** Ključ ili klin ostavljen priključen na rotirajućem dijelu električnog alata može dovesti do osobne ozljede.
- **Nemojte se naginjati preko rubova.** Cijelo vrijeme držite pravilno uporište i ravnotežu. Ovo u neočekivanim situacijama omogućuje bolju kontrolu nad električnim alatom.
- **Pravilno se odjenite.** Nemojte nositi široku odjeću ili nakit. Svoju kosu i odjeću držite podalje od dijelova u pokretu. Široka odjeća, nakit ili dugačka kosa mogu biti zahvaćeni u pokretne dijelove.
- **Ako su uređaji opremljeni priključkom na objekte za odvajanje i prikupljanje prašine, uvjerite se da su priključeni i pravilno korišteni.** Korištenje sustava za hvatanje prašine može smanjiti opasnosti povezane s prašinom.
- **Nemojte dopustiti da vas poznavanje alata zbog česte uporabe opusti toliko da zanemarite sigurnosne principe rukovanja alatom.** Nepažljivo postupanje može prouzročiti teške ozljede u djeliću sekunde.



**KORIŠTENJE I BRIGA O ELEKTRIČNOM ALATU**

- **Nemojte alat koristiti iznad njegovih mogućnosti. Za vašu primjenu koristite točan uređaj.** Uređaj će bolje i sigurnije raditi na brzini za koju je konstruiran.
- **Nemojte koristiti električni alat ako ga sklopka pravilno ne uključuje i isključuje.** Svaki električni alat koji se ne može kontrolirati pomoću sklopke je opasan i mora se popraviti.
- **Izvučite utikač iz izvora električnog napajanja i/ili uklonite baterijski sklop, ako je odvojiv, prije izvršavanja bilo kakvih prilagodbi ili skladištenja električnih alata.** Takve preventivne sigurnosne mjere smanjuju rizik od slučajnog pokretanja proizvoda.
- **Električne alate pohranite u stanju mirovanja izvan dohvata djece i ne dopustite rad s električnim alatom osobama koje nisu upoznate s električnim alatom ili ovim uputama.** Električni alati su opasni u rukama nestručnih korisnika.
- **Održavajte električne alate i pribor.** Provjerite radi pogrešnog poravnjanja ili savijanja pokretnih dijelova, puknuća dijelova i drugih uvjeta koji mogu utjecati na rad alata. Ako je oštećen, uređaj prije korištenja servisirajte. Većina nezgoda uzrokovane su od strane slabo održavanih uređaja.
- **Održavajte oštrinu i čistoću reznih alata.** Pravilno održavani rezni alati oštiri reznih rubova vjerojatno će se manje savijati i njima se lakše upravlja.
- **Proizvod, dodatke i alatne nastavke i sl. koristite u skladu s ovim uputama, uzimajući u obzir radne uvjete i radni postupak koji namjeravate izvršiti tim alatom.** Korištenje električnog alata za radove drugačije od njegove namjene može dovesti do opasne situacije.
- **Ručke i zahvatne površine održavajte suhima, čistima i vodite računa da na njima nema ulja i masti.** Skliske ručke i zahvatne površine ne omogućavaju sigurno rukovanje i nadzor nad alatom u neočekivanim situacijama.

SERVIS

- **Neka vaš električni alat servisira kvalificirana osoba za popravak koristeći samo identične zamjenske dijelove.** Ovo će osigurati da se održi sigurnost električnog alata.

SIGURNOSNA UPOZORENJA ZA STOLNU BRUSILICU

- **Uvijek nosite zaštitne naočale i masku za zaštitu od prašine.**
- **Nosite štitnike za uši.** Izlaganje buci može izazvati gubitak sluha.
- **Ovaj proizvod nije prikladan za mokro brušenje.**
- **Nemojte koristiti oštećeni pribor.** Prije svakog korištenja, pregledajte dijelove opreme poput abrazivnih diskova i utvrdite ima li na njima otkrnuća i napuklina. Ako je potrebno, stavite i

masku protiv prašine, zaštitu od buke, rukavice i zaštitnu ploču kako biste se zaštitili od izlijetanja dijelova komada kojeg obrađujete (brusni dijelovi, komadići drveta itd.). Ako je dodatak oštećen, tijekom ove provjere će se slomiti.

- **Okretaja od pribora mora biti najmanje jednaka maksimalnu brzinu označe na električni alat.** Dodaci koji rade na višim brzinama od njihove nominalne brzine mogu se slomiti ili izletjeti s alata.
- **Nikada nemojte brusiti bočnim stranama brusne ploče.** Bočno brušenje može prouzročiti slamanje i izlijetanje brusne ploče.
- **Utikač mora biti umetnut u odgovarajuću utičnicu koja je pravilno instalirana i uzemljena u skladu s lokalnim propisima i uredbama.** Ako niste sigurni, pozovite ovlaštenog električara da provjeri utičnicu.
- **Prije rada proizvod pričvrstite i montirajte na radni stol, stalak za brušenje ili neki drugi kruti okvir.** Neučvršćen proizvod nije stabilan i može se pomicati za vrijeme rada. Ovo može dovesti do oštećenja stroja ili do tjelesnih ozljeda.
- **Omogućite odgovarajuću opću ili rasvjetu na licu mjesta kako biste spriječili efekt stoboskopa i opasnosti.**
- **Uvijek koristite proizvod na kojem su brusne ploče postavljene na oba vretena kako bi se ograničila opasnost od dodira s vretenima u rotaciji.**
- **Uvijek koristite štitnike, naslone za ruke, prozirne zaštitne zaslone i hvatače iskri potrebne za korištenje pribora.**
- **Uvijek namjestite naslon za ruke tako da kut između radnog naslona i tangente brusne ploče uvijek bude veći od 85°.**
- **Prije samog rada pregledajte komponente i dodatke proizvoda kako biste se uvjerali da na njima nema stanja koja mogu utjecati na pravilan rad stroja.** Zategnite protumatice brusne ploče i sigurnosne vijke te sve stezaljke i štitnike.
- **Prije svakog pokretanja stroja provjerite brusnu ploču na oštećenja.** Nemojte koristiti oštećene ili deformirane brusne ploče. Zamijenite oštećene brusne ploče prema uputama.
- **Prije svakog pokretanja provjerite može li se ploča slobodno okretati.** Isključite proizvod s napona, postavite prekidač za paljenje u ISKLJUČENI položaj i pažljivo rukom zavrtnite brusnu ploču. Brusna ploča ne smije dodirivati niti jednu komponentu stolne brusilice, ne smije biti zalijepljena te ne smiju postojati nikakvi drugi uvjeti koji mogu utjecati na pravilan rad stroja.
- **Prilikom svakog pokretanja stanite sa strane stroja i uključite prekidač za paljenje u položaj UKLJUČENO.** Pustite da brusilica radi na punoj brzini jednu minutu kako biste mogli uočiti eventualne pukotine ili greške brusne ploče. Nemojte stavljati obradak u kontakt s brusnom pločom sve dok proizvod ne postigne punu brzinu rada.
- **Ruke i dijelove tijela držite dalje od brusnih ploča.** Dodirivanje brusne ploče koja se okreće može





uzrokovati tjelesne ozljede.

- Uvijek koristite štitnike i prozime zaslone. Držite štitnike na mjestu i ispravne za rad. Rad s proizvodom bez sigurnosnih štitnika ili s oštećenim štitnicima može rezultirati tjelesnim ozljedama.
- Izbjegavajte vruće površine i opeklone. Brušenje može značajno povisiti temperaturu obradaka i brusne ploče. Nemojte dodirivati brusnu ploču ili obratke koji mogu biti vrući.
- Nemojte koristiti proizvod za rad na malim radnim komadima koje nije moguće pravilno držati. Može doći do izbacivanja predmeta sa stroja i time do fizičkih ozljeda.
- Nikada nemojte brusiti bočnom stranom brusne ploče. To će uništiti brusnu ploču. Brusite samo na licu brusne ploče.
- Nikada ne ostavljajte alat da radi bez nadzora. Isključite alat. Pažnja, brus se zbog inercije okreće i kad isključite stroj. Ne ostavljajte alat dok se potpuno ne zaustavi.
- Nikada nemojte posezati iza ili ispod brusnih ploča.
- Za vrijeme produljenog rada na stroju koristite zaštitu za sluh, kao što su primjerice čepovi za uši ili zaštitne slušalice.
- Prije izvođenja podešavanja, servisiranja ili održavanja uklonite utikač. Naponski vod mora biti isključen za vrijeme održavanja proizvoda.
- Često namještajte naslone i hvatače iskri tako da time kompenzirate trošenje brusnih ploča.
- Radne naslone podešavajte kad god je to potrebno kako biste udaljenost između nosača radnog komada i brusnih ploča održali najmanjom mogućom. Ova udaljenost mora biti manja od ili jednaka 2 mm. Kako se promjer brusne ploče smanjuje uporabom, provjeravajte i podešavajte udaljenost nosača radnog komada.
- Hvatače iskri podešavajte kad god je to potrebno kako biste udaljenost između hvatača iskri i brusnih ploča održali najmanjom mogućom. Ova udaljenost mora biti manja od ili jednaka 2 mm. Kako se promjer brusne ploče smanjuje uporabom, provjeravajte i podešavajte udaljenost hvatača iskri.
- Istrošenu brusnu ploču zamijenite kada nastane razmak od 2 mm između hvatača iskri/radnog naslona, a brusna se ploča više ne može održavati.
- Ako se hvatač iskri ili radni naslon istroši ili ošteti, zamijenite ga identičnim zamjenskim nosačem iz ovlaštenog servisnog centra.
- Prilikom ugradnje nove brusne ploče uvijek provjerite odgovara li maksimalan broj okretaja u minuti (RPM) vrijednosti naznačenoj na proizvodu. Promjer brusne ploče i dimenzije vretena moraju zadovoljavati dimenzije naznačene u specifikacijama. Nove brusne ploče također provjerite na oštećenja, kao što su proizvodne greške ili pukotine.

SIGURNOSNE UPUTE ZA BRUSNE PLOČE

⚠ UPOZORENJE

Kako biste smanjili rizik od ozljeda, obavezno prije korištenja pročitajte i poštujujte sve upute, upozorenja i korisnički priručnik za operatera. Nepoštivanje ovih upozorenja može dovesti do puknuća rezne ploče i ozbiljnih osobnih ozljeda. Sačuvajte ove upute.

- Korištenje bilo koje druge brusne ploče od one koja se preporučuje u uputama za upotrebu stroja može stvoriti rizik od tjelesnih ozljeda. Koristite isključivo one brusne ploče koje imaju oznaku brzine jednaku ili veću od oznake na stroju.
- Nikada nemojte koristiti reznu ploču koja je predebelo kako bi se omogućilo da se prirubnica rezne ploče aretira sa zaravanjem na osovinu. Velike rezne ploče dolaze u kontakt sa štitnicima rezne ploče, dok će deblja rezna ploča spriječiti vijak rezne ploče da pričvrsti ploču na osovinu. Svaka od ovih situacija dovodi do ozbiljnih nesreća i mogu uzrokovati ozbiljne osobne ozljede.
- Ova brusna ploča namijenjena je brušenju i oblikovanju metala. Nemojte pokušavati rezati pomoću ove ploče.
- Ovaj brusni ploča pogodan je isključivo za brušenje.
- Nemojte koristiti oštećene brusne ploče, okrhnutu, napuknutu ili na bilo koji drugi način oštećene ploče.
- Prije upotrebe provjerite je li brusna ploča pravilno postavljena i zategnuta.
- Stroj nikada ne smije biti priključen na dovod napona dok montirate ili skidate brusne ploče.
- Pažljivo pohranite svoju rezervnu brusnu ploču.
 - Ako je to moguće, držite brusne ploče u originalnoj ambalaži.
 - Brusnu ploču pohranite na suhom mjestu i na sobnoj temperaturi.
 - Brusne ploče je moguće složiti okomito na policu.
 - Brusne ploče ne smiju pasti ili pretrpjeti udar.

Informacije na naljepnici brusne ploče

Informacije na naljepnici brusne ploče su bitne. Pročitajte ih i pažljivo provjerite kako biste bili sigurni da se odabrali ispravnu vrstu brusne ploče.

1. proizvođač, dobavljač, uvoznik ili trgovačka marka
2. Nazivne dimenzije brusne ploče, posebice promjer povrta.
3. Tip abrazivne površine, veličina zrna, klasa tvrdoće, vrsta veziva i korištenje ojačanja.
4. Maksimalna radna brzina u metrima u sekundi.
5. maksimalna dopuštena brzina rotacije u 1/min
6. Za deklaraciju sukladnosti abrazivni proizvodi se označavaju s EN 12413.
7. simboli ograničenja korištenja i sigurnosnih upozorenja
8. kod za praćenje, npr. broj proizvoda/serije, serijski broj



Brusnu ploču možda će biti potrebno zamijeniti u sljedećim okolnostima.

1. Ako je gornja površina brusne ploče nejednako istrošena, na sebi ima žlijebove i više nije glatka i ravna.
2. Ako promjer brusne ploče više nije zaobljen.
3. Ako se površina brusne ploče napreže i uspori na materijalu komada u obradi.
4. Ako na njoj ima bilo kakvih znakova oštećenja.
5. Ako postane teško raditi s njom.
6. Ako se radni naslon / hvatač iskri ne može namjestiti na razmak od ≤ 2 mm od površine brusne ploče.
7. Ako disk strži ≤ 1 cm iz priрубnice. Pogledajte savjete na stranici 147.

PREOSTALE OPASNOSTI

Čak i kad je proizvod korišten kao što je prethodno opisano, još uvijek nije moguće potpuno isključiti ostale čimbenike opasnosti. Može doći do sljedećih opasnosti prilikom korištenja i operator mora obratiti posebnu pozornost kako bi izbjegao sljedeće:

- Rizik od dodira s nezaštićenim dijelovima rotirajuće brusne ploče.
- Opasnost od opekline zbog kontakta s vrućom brusnom pločom ili radnim komadom.
- Oštećenja na respiratornim organima ako se ne nosi učinkovita zaštitna maska.
- Oštećenja na sluhu ako se ne nosi učinkovita zaštitna za sluh.

UPOZNAJTE SVOJ PROIZVOD

Pogledajte stranicu 141.

1. Prozirni zaslon x 2
2. Hvatač iskri x 2
3. Štitnik rezne ploče x 2
4. Brus x 2
5. Nosač radnog komada x 2
6. Sklopka za Uklj./isklj. (ON/OFF)
7. Otvor za montažu x 4
8. Gumb za blokiranje nosača radnog komada x 2

ODRŽAVANJE

- Nemojte modificirati proizvod ni na koji način ili koristiti dodatni pribor koji nije odobren od strane proizvođača. Može doći u pitanje vaša i sigurnost ostalih.
- Nemojte koristiti proizvod ako neki prekidači, štitnici ili druge funkcije ne rade po namjeni. Vratite u ovlašteni servisni centar radi profesionalnog popravka ili zamjene.
- Nemojte vršiti nikakva podešavanja na stroju dok stroj radi.
- Uvijek provjerite da li je utikač uklonjen iz izvora glavnog napajanja prije podešavanja, podmazivanja ili kod bilo kakvog rada ili održavanja na proizvodu.
- Prije i nakon svakog korištenja, provjerite proizvod na oštećenja ili polomljene dijelove. Držite proizvod

u vrhunskom radnom stanju na način da odmah zamjenjujete dijelove s rezervnim dijelovima odobrenim od proizvođača.

- Očistite nakupljenu prašinu korištenjem četke ili usisavača. Nemojte koristiti komprimirani zrak.
- Radi veće sigurnosti i pouzdanosti, sve popravke, uključujući zamjene četki, treba izvoditi ovlašteni servisni centar.
- Ako je kabel za napajanje oštećen, zamijenite ga u ovlaštenom servisu kako biste izbjegli opasnost od nezgoda.

⚠ UPOZORENJE

Za maksimalnu sigurnost i pouzdanost, sve popravke treba obaviti u ovlaštenom RYOBI servisu.

TRANSPORT I SKLADIŠTENJE

- Kada skladištite proizvod, odspojite kabel za napajanje.
- Proizvod očistite četkom i usisavačem prašine.
- Proizvod uvijek nosite i dižite u skladu s uputama u korisničkom priručniku.
- Proizvod zaštitite od svih teških udaraca ili jakih vibracija do kojih može doći tijekom prijevoza u vozilima.
- Učvrstite proizvod kako biste spriječili da sklizne ili padne.
- Proizvod i njegov pribor čuvajte na suhom, sigurnom mjestu nedostupnom djeci.
- Preporučujemo korištenje originalnog pakiranja kako biste proizvod zaštitili od prašine.

ZAŠTITA OKOLIŠA



Sirovine reciklirajte, umjesto da ih odlažete kao otpad. Kako biste zaštitili okoliš, alat, dodatke i ambalažu treba odvojeno bacati u otpad.

SIMBOLI NA PROIZVODU



Sigurnosno upozorenje



Molimo vas da prije pokretanja uređaja pažljivo pročitate upute.



CE usklađenost



EurAsian znak konformnosti.



Ukrajinska oznaka za sukladnost



Nosite zaštitu za sluh



Nosite zaštitu za vid



Nije za mokro brušenje ili rezanje



Nemojte koristiti zarezanu, puknutu ili oštećenu brusnu ploču



Nosite zaštitne rukavice



Smjer vrtnje brusne ploče (prikazan na oznaci na ploči)



Smjer vrtnje brusne ploče (prikazan na štitniku brusne ploče)



Otpadni električni proizvodi ne treba da se odlažu s otpadom iz domaćinstva. Molimo da reciklirate gdje je to moguće. Potražite savjet od lokalnih vlasti ili prodavca kako reciklirati.

SIMBOLI U PRIRUČNIKU



Uključite uređaj.



Odspojite alat.



Dijelovi ili pribor prodan odvojeno

Slijedeće riječi upozorenja i značenja imaju namjeru da objasne nivo rizika u vezi s ovim proizvodom.

OPASNOST

Naznačuje prijetecu opasnu situaciju, koja ako se ne izbjegne dovodi do smrti ili ozbiljnih ozljeda.

UPOZORENJE

Naznačuje potencijalno opasnu situaciju, koja ako se ne izbjegne dovodi do smrti ili ozbiljnih ozljeda.

OPREZ

Naznačuje potencijalno opasnu situaciju, koja ako se ne izbjegne dovodi do lakših ili srednjih ozljeda.

OPREZ

(Bez simbola upozorenja sigurnosti) Označava situaciju koja može izazvati oštećenje imovine



Namizni brusilnik je zasnovan in izdelan za zagotavljanje najvišje ravni varnosti, učinkovitosti in zanesljivosti delovanja.

NAMEN UPORABE

- Ta namizni brusilnik je namenjen brušenju in oblikovanju kovine. Brusilnik se uporablja za ostrenje kovinskega ročnega orodja (npr. dlet, sekir, nožev) in brusov ter glajenje nazobčanih ali ostrih robov.
- Z ustreznimi dodatki lahko brusilnik uporabljate tudi za čiščenje kovinskih površin s kovinsko krtačko ali loščenje in poliranje s polirnim kolutom.
- Tega izdelka nikoli ne uporabljajte za razrez.

SPLOŠNA VARNOSTNA NAVODILA ZA ELEKTRIČNA ORODJA

⚠ OPOZORILO

Preberite vsa varnostna opozorila, navodila, ilustracije in specifikacije, ki so priložene temu električnemu orodju. Če ne upoštevate opozoril in navodil, lahko pride do električnega udara, ognja in/ali hudih poškodb.

Vsa opozorila in vsa navodila shranite za bodočo referenco. Izraz »električno orodje« v opozorilih se nanaša na električno napajano (ožičeno) električno orodje ali baterijsko napajano (brezžično) električno orodje.

VARNOST NA DELOVNEM PROSTORU

- Delovno območje naj bo čisto in dobro osvetljeno. V neurejenih in temnih območjih se rade zgodijo nesreče.
- Ne delajte z električnimi orodji v okolju, kjer je nevarnost eksplozije na primer v prisotnosti vnetljivih tekočin, plinov ali prahu. Električna orodja proizvajajo iskre, ki lahko vnemajo prah ali hlape.
- Med uporabo električnega orodja v bližino ne pustite otrok in drugih ljudi. Zaradi zmanjšane koncentracije lahko izgubite nadzor.

ELEKTRIČNA VARNOST

- Vtiči električnih orodij se morajo prilegati vtičnicam. Vtiča nikoli in na noben način ne smete spreminjati. Z ozemljenimi električnimi orodji ne uporabljajte adapterskih vtičev. Nespremenjeni vtiči in ustrezne vtičnice zmanjšajo tveganje električnega udara.
- Izogibajte se telesnemu stiku z ozemljenimi površinami, kot so cevi, radiatorji, kuhalniki in hladilniki. Če je vaše telo ozemljeno, obstaja povečano tveganje električnega udara.
- Električnih orodij ne izpostavljajte dežju ali vlažnim pogojem. Voda v električnem orodju znatno poveča tveganje električnega udara.
- Kabela ne uporabljajte za neustrezne namene. Kabela nikoli ne uporabljajte za prenašanje, vleko

ali izklop električnega orodja. Kabel imejte proč od vročine, olja, ostrih robov ali premikajočih se delov. Poškodovani ali zapleteni kabli zvišujejo tveganje električnega udara.

- Med uporabo električnega orodja na prostem uporabljajte podaljševalni kabel, ki je primeren za zunanjo uporabo. Uporaba kabla, primerne za zunanjo uporabo, znižuje tveganje električnega udara.
- Če je delo z električnimi orodji v vlažnem okolju neizogibno, uporabite tokovno zaščitno stikalo (RCD). Uporaba naprave RCD zmanjša tveganje za električni udar.

OSEBNA VARNOST

- Ostanite pozorni, spremljajte svoje delo in pri uporabi orodja uporabljajte zdravo pamet. Ne uporabljajte orodja, ko ste utrujeni ali pod vplivom drog, alkohola ali zdravil. Trenutek nepazljivosti med uporabo električnega orodja - kompresorja lahko povzroči hude telesne poškodbe.
- Nosite osebno varovalno opremo. Vedno nosite zaščito za oči. Uporaba zaščitne opreme, na primer protiprašne maske, ndrsečih varnostnih čevljev, čelade ali zaščitne ušes v ustreznih pogojih zmanjša nevarnost osebnih poškodb.
- Preprečite nehoten zagon. Poskrbite, da je pred priključitvijo naprave na vir napajanja in/ali akumulator ter pred pobiranjem ali prenašanjem naprave stikalo v položaju za izklop. Če električno orodje prenašate s prstom na stikalu za vklop ali polnite električne izdelke, ko je stikalo vklopljeno, lahko povzročite nesrečo.
- Pred vklopom električnega orodja odstranite morebitne nastavitvene ključe ali izvijače. Izvijač ali ključ, ki je pritrjen na vrtljivi del električnega orodja, lahko povzroči telesne poškodbe.
- Ne segajte preko dosega. Pazite, da stojite stabilno in da imate ravnotežje. To omogoča boljši nadzor nad električnim orodjem v nepričakovanih situacijah.
- Bodite primerno oblečeni. Ne nosite ohlapnih oblačil ali nakita. Las in oblačil ne približujte gibljivim delom. Ohlapna obleka, nakit ali dolgi spuščeni lasje se zlahka ujamejo v gibajoče se dele.
- Če se na napravo lahko priključijo elementi za ekstrakcijo ali zbiranje prahu, poskrbite, da jih priključite in ustrezno uporabljate. Zbiranje prahu lahko zmanjša nevarnosti, povezane s prahom.
- Pazite, da zaradi pogoste uporabe orodja ne postanete preveč samozavestni pri svojem delu in ne namenite pozornosti upoštevanju varnostnih načel uporabe. Brezbržno dejanje lahko že v delcu sekunde povzroči hudo poškodbo.

UPORABA IN NEGA ELEKTRIČNEGA ORODJA

- Orodja ne preobremenjujte. Uporabljajte vaši uporabi ustrezen izdelek. Z ustreznim izdelkom boste delo opravljali bolje in varneje pri hitrosti, za katero je namenjen.



- **Ne uporabljajte električnega orodja, če ga stikalo ne vklopi ali izklopi, kot bi bilo treba.** Kakršno koli električno orodje, ki ga ni mogoče nadzirati s stikalom, je nevarno in ga je potrebno popraviti.
 - **Pred izvajanjem prilagoditev, menjavanjem dodatkov ali shranjevanjem električnega orodja vtič izključite iz vira napajanja in/ali iz električnega orodja odstranite akumulatorsko baterijo, če se lahko odstrani.** S temi preventivnimi ukrepi omejite tveganje slučajnega vklopa izdelka.
 - **Električna orodja, ki niso v uporabi, shranjujte izven dosega otrok in ne dovolite, da bi električno orodje uporabljale osebe, ki niso seznanjene z električnim orodjem ali s temi navodili.** Električna orodja so v rokah neusposobljenih uporabnikov nevarna.
 - **Električno orodje in dodatke vzdržujte. Preverite, če so gibljivi deli napáčno pritrjeni ali poškodovani ali kar koli drugega, kar bi lahko vplivalo na delovanje orodja. Če se orodje poškoduje, ga pred ponovno uporabo popravite.** Veliko nesreč se zgodi zaradi slabega vzdrževanje orodij.
 - **Rezalno orodje naj bo vedno ostro in čisto.** Ustrezno vzdrževano rezalno orodje z ostrimi rezili se manj verjetno sprime in lažje upravlja.
 - **Izdelek, dodatke, orodje itd. uporabljajte v skladu s temi navodili in upoštevajte delovne pogoje ter delo, ki ga izvajate.** Uporaba električnega orodja za namene, ki so drugačni od tistih, za katere je bilo orodje zasnovano, lahko povzroči nevarne situacije.
 - **Ročaji in držalne površine naj bodo suhi, čisti in brez olja ter masti.** Spolzki ročaji in držalne površine ne omogočajo varnega ravnanja z orodjem ter njegovega upravljanja v nepričakovanih situacijah.
- SERVIS**
- **Električno orodje naj servisira za to usposobljena oseba, uporabljati pa sme le originalne nadomestne dele.** To bo zagotovilo vzdrževanje varnostni električne naprave.
- VARNOSTNA OPOZORILA ZA NAMIZNI BRUSILNIK**
- **Vedno nosite zaščitna očala in zaščitno masko.**
 - **Nosite ščitnike za ušesa.** Izpostavljenost hrupu lahko povzroči izgubo sluha.
 - **Ta izdelek ni primeren za mokro brušenje.**
 - **Ne uporabljajte poškodovanih dodatkov.** Pred vsako uporabo preverite, ali so dodatki, na primer brusilni koluti, odkrušeni ali razpokani. Potem ko ste pregledali in namestili dodatek, poskrbite, da boste vi sami in morebitne druge osebe stali dovolj stran od vrtečega se dodatka, ter poženite električno orodje s polno hitrostjo brez obremenitve za eno minuto. Poškodovani dodatki običajno v takem testnem času odletijo.
 - **Označena hitrost dodatka mora biti najmanj enaka maksimalni hitrosti, označeni na električnem orodju.** Dodatki, ki delujejo hitreje, kot je njihova označena hitrost, se lahko polorijo in razletijo.
 - **Nikoli ne brusite s stranskim delom brusilnega koluta.** Brušenje s stranskim delom lahko povzroči, da se kolut zlomi in razleti.
 - **Vtič morate vstaviti v ustrezno vtičnico, ki je primerno nameščena in ozemljena v skladu z lokalnimi predpisi.** V primeru dvomov naj vtičnico pregled pooblaščen električar.
 - **Brusilnik pred uporabo namestite fiksno na delovno mizo, stojalo za brušenje ali drugo robustno ogrodje.** Nezavarovan izdelek ni stabilen in se lahko med delovanjem premakne. To lahko privede do materialnih ali telesnih poškodb.
 - **Zagotovite ustrezno splošno in lokalno osvetljava, da preprečite stroboskopski učinek in nevarnosti.**
 - **Izdelek vedno uporabljajte z nameščenima brusilnima kolesoma na obeh vretenih, da zmanjšate nevarnost stika z vrtečimi se vreteni.**
 - **Vedno uporabljajte ščitnike, delovne podstavke, prosojne zaslone in prestrezala isker, kot je to zahtevano za dodatke.**
 - **Delovni podstavek vedno namestite tako, da je kot med delovnim podstavkom in tangento brusilnega koluta vedno večji od 85°.**
 - **Pred začetkom uporabe pregledajte sestavne dele in morebitne dodatke izdelka, da se prepričate, da njihovo stanje ne bo negativno vplivalo na pravilno delovanje.** Privijte zaklepne matice, varnostne vijake ter vse sponke in varovala brusilnega diska.
 - **Pred vsakim zagonom se prepričajte, da na brusilnem disku niso prisotne poškodbe.** Ne uporabljajte poškodovanih ali neoblikovanih diskov. Morebitne poškodovane brusilne diske menjajte skladno z navodili.
 - **Pred vsakim zagonom se prepričajte, da se disk prosto vrti.** Ko je izdelek izključen iz napajanja in je stikalo v položaju OFF (IZKLOP), z roko previdno zavrtite disk. Disk se pri tem ne sme dotakniti nobenega sestavnega dela brusilnika, prav tako pa ne smejo obstajati nobeni pogoji, ki bi lahko omejevali ali kako drugače negativno vplivali na njegovo pravilno delovanje.
 - **Med vsakim zagonom stojte na bočni strani brusilnika in ga vklopite (ON).** Pustite, da brusilnik eno minuto deluje pri polni hitrosti, da se pokažejo morebitne neodkrita napake ali razpoke v disku. Dokler izdelek ne doseže polne hitrosti delovanja, obdelovanca ne potiskajte proti kolutu.
 - **Z rokami in telesnimi deli ne posegajte v bližino brusilnih kolutov.** Stik z vrtečim se kolutom lahko privede do poškodb.
 - **Vedno uporabljajte ščitnike in prosojne zaslone.** Varovala hranite na svojem mestu in v stanju pripravljenosti na uporabo. Uporaba izdelka brez varoval ali s poškodovanimi varovali lahko privede do



telesnih poškodb.

- Izogibajte se opeklinam. Pri brušenju se lahko predmeti in brusilni kolut segrejejo. Ne prijemajte brusilnega koluta ali predmetov, ki so lahko segreti.
- Izdelka ne uporabljajte za delo na majhnih predmetih ali predmetih, ki jih ne morete trdno prijeti. Predmet lahko odskoči in povzroči poškodbe.
- Nikoli ne brusite s stranskim delom koluta. Kolut se lahko uniči. Brusite samo s sprednjo stranjo koluta.
- Orodje nikoli ne pustite teči brez nadzora. Izklopite orodje. Brusni koluti se vrtijo tudi po tem, ko ste orodje že izklopili. Orodja ne zapustite, dokler se ta popolnoma ne ustavi.
- Nikoli ne segajte za brusilni kolut ali pod njega.
- Med daljšimi obdobji uporabe uporabljajte zaščito za ušesa, kot so čepki ali glušniki.
- Odstranite vtičač, preden se lotite kakršnega koli prilagajanja, servisiranja ali vzdrževanja naprave. Napajalni kabel ne sme biti priključen med vzdrževanjem stroja.
- Delovne podstavke in prestrezala isker pogosto nastavljajte, da jih prilagodite obrabi brusilnih kolutov.
- Delovne podstavke prilagodite vedno, kadar morate zagotoviti čim manjšo razdaljo med delovnimi podstavki in brusilnimi koluti. Ta razdalja mora biti enaka 2 mm ali manjša. Premer brusilnega koluta se med uporabo zmanjšuje, zato največjo razdaljo do delovnega podstavka ohranjajte z nastavljanjem slednjega.
- Lovilce isker prilagodite, kadar morate zagotoviti čim manjšo razdaljo med lovilci isker in brusilnimi koluti. Ta razdalja mora biti enaka 2 mm ali manjša. Ker se premer brusilnega koluta med uporabo manjša, ohranjajte največjo razdaljo med lovilci isker tako, da jo ustrezno prilagajate.
- Obrabljen kolut zamenjajte, ko ni več mogoče ohraniti razdalje 2 mm med prestrezalom isker/delovnim podstavkom in kolutom.
- Če se prestrezalo isker ali delovni podstavki obrabi ali poškoduje, ga zamenjajte z identičnim nadomestnim delom, ki je na voljo na pooblaščenem servisu.
- Pri nameščanju novega brusilnega koluta se vedno prepričajte, da je vrednost najvišjih vrtljajev na minuto enaka navedeni ali jo presega. Zagotovite, da premera koluta in izvrtine ustrežata navedbam v tehničnih zahtevah. Prepričajte se tudi, da na kolutu ni poškodb, kot so napake ali razpoke.

VARNOSTNA NAVODILA ZA BRUSILNI KOLUT

⚠ OPOZORILO

Uporabnik mora za zmanjšanje nevarnosti poškodb pred začetkom uporabe tega brusilnega koluta prebrati in upoštevati navodila, opozorila in priročnik za uporabnika. Če navodil ne boste upoštevali, lahko plošča počí, kar lahko povzroči hude telesne poškodbe. Shranite ta navodila.

- Uporaba kolutov, ki niso priporočeni v uporabniškem priročniku stroja, lahko privede do nevarnosti telesnih poškodb. Uporabljajte samo brusilne kolute z nazivno hitrostjo, ki je enaka ali večja od hitrosti, navedene na oznaki stroja.
- Nikoli ne uporabljajte predebelega koluta, ker se zunanja prirobnica ne bi pridrila na površino vretena. Večji koluti pridejo v stik z varovali kolutov, medtem ko debelejši koluti povzročijo, da vijaka ni mogoče dobro pritrčiti na vreteno. Katera koli izmed teh situacij se lahko nesrečno konča in povzroči hude telesne poškodbe.
- Ta kolut je namenjen brušenju in oblikovanju kovine. Ne uporabljajte ga za rezanje.
- Ta brusilni kolut je primeren samo za suho brušenje.
- Ne uporabljajte poškodovanih, okrušenih, razpokanih ali kako drugače poškodovanih brusilnih kolutov.
- Pred uporabo se prepričajte, da je abrazivni brusilni kolut pravilno nameščen in privit.
- Med nameščanjem ali odstranjevanjem brusilnih kolutov stroj ne sme biti nikoli priključen na električno napajanje.
- Previdno shranite nadomestni brusilni kolut.
 - Če je mogoče, kolut shranite v izvorni ovojnini.
 - Kolut shranite na suhem mestu pri sobni temperaturi.
 - Kolute lahko shranite tako, da jih zložite na polico v pokončnem položaju.
 - Pazite, da koluti ne padajo na tla ali da so izpostavljeni udarcem.

Podatki na oznaki brusilnega koluta

Podatki na oznaki koluta so pomembni. Preberite jih in jih natančno preverite, da zagotovite, da ste izbrali ustrezno vrsto koluta.

1. proizvajalec, dobavitelj, uvoznik ali blagovna znamka.
2. Nazivne mere brusilnega koluta, zlasti premera vrtine.
3. Tip abrazivnosti, zrnatost, razred ali trdota, tip lepila in uporabljena ojačitev.
4. Najvišja hitrost delovanja v metrih na sekundo.
5. največje dovoljeno število vrtljajev na minuto.
6. Za izjavo o skladnosti bodo abrazivni izdelki nosili oznako EN 12413.
7. omejitve uporabe in varnostni simboli
8. koda sledljivosti, npr. proizvodna/serijska številka,



številka tipa.

Kolut je treba zamenjati, če se pojavijo katere od naslednjih okoliščin.

1. Če je zgornja ploskev brusilnega koluta neenakomerno obrabljena, na njej nastanejo vdolbine ali ni več gladka in ploska.
2. Če obseg brusilnega koluta ni več okrogel.
3. Če površina brusilnega kolesa postane onesnažena in topa zaradi materiala iz obdelovanca.
4. Če obstajajo znaki poškodb.
5. Če delo postane oteženo.
6. Če delovnega podstavka/prestrezala isker ni mogoče nastaviti na razdaljo ≤ 2 mm od površine koluta.
7. Če iz prirobnice štrli ≤ 1 cm diska. Glejte namige na strani 147.

PREOSTALA TVEGANJA

Nekateri preostalih dejavnikov tveganja ni mogoče povsem odpraviti, tudi če ta izdelek uporabljate v skladu z navodili. Med uporabo se lahko pojavijo nekatere nevarnosti, upravljavec pa naj bo pozoren na naslednje:

- Nevarnost stika z nezavarovanimi deli vrtečega se koluta.
- Nevarnost opeklin ob stiku z vročim kolutom ali obdelovancem.
- Nevarnost poškodb pljuč, če ne nosite maske proti prahu.
- Okvare sluha, če ne nosite učinkovite zaščite za sluh.

SPOZNAJTE SVOJ IZDELEK

Glej stran 141.

1. Prosojen zaslon x 2
2. Lovilec isker x 2
3. Varovalo kolesa x 2
4. Brusni kolut x 2
5. Delovna podpora x 2
6. Stikalo za vklop/izklop
7. Luknja za pritrditev x 4
8. Gumb za zaklep delovne podpore x 2

VZDRŽEVANJE

- Tega izdelka na noben način ne spreminjajte ali uporabljajte dodatkov, ki jih ni odobril proizvajalec. Vaša varnosti in varnost drugih sta morda ogroženi.
- Izdelka ne uporabljajte, če stikala, zaščite ali druge funkcije ne delujejo, kot je bilo predvideno. Za profesionalno popravilo ali zamenjavo se obrnite na pooblaščen servis.
- Med delovanjem izdelka ne izvajajte nobenih prilagoditev.
- Pred izvajanjem nastavitvev, mazanjem ali vzdrževanjem izdelka se vedno prepričajte, da je vtič stroja odstranjen iz električne vtičnice.
- Pred in po vsaki uporabi preverite, ali je izdelek

poškodovan oz. ali ima pokvarjene dele. Izdelek ohranjajte v vrhunskem stanju tako, da nemudoma zamenjate dele z nadomestnimi deli, ki jih je odobril proizvajalec.

- Očistite nakopičeni prah s pomočjo krtače ali sesalca. Ne uporabljajte stisnjene zraka.
- Da bi zagotovili varnost in zanesljivost, mora vsa popravila, vključno z menjavo ščetk, stroja opraviti pooblaščen servisni center.
- Če je poškodovan napajalni kabel, naj vam ga zamenja pooblaščen servisni center, da se izognete nevarnosti.

⚠ OPOZORILO

Za večjo varnost in zanesljivost morajo vsa popravila izvajati v pooblaščenem servisnem centru RYOBI.

TRANSPORT IN SKLADIŠČENJE

- Med shranjevanjem izdelka izklopite napajalni kabel.
- Izdelek čistite s krtačo in sesalcem za prah.
- Izdelek prenašajte in dvigajte izključno po navodilih v tem priročniku.
- Izdelek zaščitite pred hudimi udarci ali močnimi vibracijami, do katerih lahko pride med prevozom z vozili.
- Izdelek pritrdite, da preprečite padec ali prevračanje izdelka.
- Izdelek in njegove dodatke shranjujte na suhem, varnem mestu, ki ni dostopno otrokom.
- Priporočamo, da za shranjevanje izdelka uporabite originalno embalažo, da ga zaščitite pred prahom.

ZAŠČITA OKOLJA



Namesto, da napravo zavržete, reciklirajte surovine. Napravo, pribor in embalažo je treba sortirati za okolju prijazno recikliranje.

SIMBOLI NA IZDELKU



Varnostno opozorilo



Pred zagonom naprave pozorno preberite navodila.



Skladnost CE



EurAsian oznaka o skladnosti.



Ukrajinska oznaka za skladnost

001



Nosite zaščito za ušesa



Nosite zaščito za oči



Ni za mokro brušenje ali rezanje



Ne uporabljajte odkrušenih, počenih ali poškodovanih brusilnih kolutov



Nosite zaščitne rokavice



Smer vrtenja koluta (prikazana na oznaki koluta)



Smer vrtenja koluta (prikazana na ščitniku koluta)



Odpadne električne izdelke ne odlagajte skupaj z ostalimi gospodinjskimi odpadki. Reciklažo opravljajte na predpisanih mestih. Za nasvet se obrnite na lokalne oblasti.

SIMBOLI V PRIROČNIKU



Priključite napravo.



Izklopite orodje.



Deli ali dodatki so na prodaj ločeno

Sledeče signalne besede in pomeni naj bi pojasnili ravni tveganja, ki so povezane s tem izdelkom.



Bezpečnosť, efektívnosť a spoľahlivosť boli prvoradáce pri navrhovaní vašej dvojkotúčovej stolovej brúsky.

ÚČEL POUŽITIA

- Táto stolová brúška je určená na brúsenie a tvarovanie kovu. Výrobok sa môže používať na naostrenie ručného kovového náradia (napr. dlát, sekier, nožov), vrtných korúnok a na odstránenie drsných okrajov alebo ostrých hrán.
- S vhodným príslušenstvom je možné výrobok použiť na čistenie kovových povrchov pomocou drôtenej kefy alebo na leštenie a voskovanie s použitím látkového kotúča.
- Nikdy nepoužívajte výrobok na rezanie.

VŠEOBECNÉ BEZPEČNOSTNÉ VÝSTRAHY PRE ELEKTRICKÝ NÁSTROJ

VAROVANIE

Prečítajte si všetky výstrahy, pokyny, vyobrazenia a špecifikácie dodané k tomuto elektrickému nástroju. Pri nedodržaní týchto výstrah a pokynov môže dôjsť k úrazu elektrickým prúdom, požiaru a/alebo závažnému poraneniu

Odložte všetky výstrahy a pokyny pre budúce použitie. Výraz „elektrické náradie“ uvádzaný vo výstrahách sa vzťahuje na elektrické náradie napájané zo siete (s káblom) alebo elektrické náradie napájané akumulátorom (bez kábla).

BEZPEČNOSŤ PRACOVISKA

- Pracovisko udržiavajte v čistote a správne osvetlené. Prepchané alebo tmavé miesta zvyšujú pravdepodobnosť nehôd.
- Nepracujte s mechanickými nástrojmi vo výbušných atmosférach, napríklad v blízkosti zápalných tekutín, plynov alebo prachu. Mechanické nástroje vytvárajú iskry, ktoré môžu podpáliť takýto prach alebo výpary.
- Deti a okolostojaci sa počas práce s mechanickým nástrojom nesmú zdržovať v jeho blízkosti. Rozptylenie môže spôsobiť, že stratíte nad nástrojom kontrolu.

ELEKTRICKÁ BEZPEČNOSŤ

- Zástrčky mechanického nástroja musia zodpovedať zásuvke. Zástrčku nikdy žiadnym spôsobom neupravujte. S uzemnenými mechanickými nástrojmi nepoužívajte adaptérové zásuvky. Použitím neupravovaných zástrčiek a zodpovedajúcich zásuviek sa znižuje riziko úrazu elektrickým prúdom.
- Vyhýbajte sa telesnému kontaktu s uzemnenými povrchmi, napríklad rúrami, radiátormi, sporákmi a chladničkami. Ak je vaše telo uzemnené, hrozí vysoké riziko úrazu elektrickým prúdom.

- **Mechanické nástroje nevystavujte dažďu ani mokrému prostrediu.** Voda, ktorá vnikne do mechanického nástroja, zvyšuje riziko úrazu elektrickým prúdom.
- **Kábel nenamáhajte. Nikdy nepoužívajte kábel na prenášanie, ťahanie alebo odpájanie mechanického nástroja. Kábel nedávajte do blízkosti tepla, oleja, ostrých hrán alebo pochybujúcich sa dielov.** Poškodené alebo zamotané káble zvyšujú riziko úrazu elektrickým prúdom.
- **Pri práci s mechanickým nástrojom v exteriéri používajte predĺžovací kábel vhodný pre použitie v exteriéri.** S káblom vhodným pre použitie v exteriéri sa znižuje riziko úrazu elektrickým prúdom.
- **Ak je nevyhnutné pracovať s mechanickými nástrojmi vo vlhkom prostredí, použite zdroj chránený zariadením pre zvyškový prúd.** Použitie zariadenia pre zvyškový prúd znižuje riziko úrazu elektrickým prúdom.

OSOBNÁ BEZPEČNOSŤ

- **Pri práci s nástrojom dávajte neustále pozor, sledujte, čo robíte a používajte zdravý rozum. Nepoužívajte tento nástroj, keď ste unavení alebo pod vplyvom drog, alkoholu alebo liekov.** Chvíľa nepozornosti počas práce s mechanickými nástrojmi môže spôsobiť závažné osobné poranenie.
- **Používajte osobné ochranné prostriedky. Vždy používajte chrániče zraku.** Na redukovanie osobných poranení sa pre príslušné podmienky musia používať ochranné prostriedky, ako je protiprachová maska, ochranná obuv s protišmykovou úpravou, prilba alebo chrániče sluchu.
- **Dbajte na to, aby nedochádzalo k neúmyselnému spusteniu. Pred pripojením k zdroju napájania a/alebo súprave batérií, zdvíhaním alebo prenášaním výrobku vždy vypínač prepnite do vypnutej polohy.** Prenášanie elektrického náradia s prstom na vypínači alebo dodávanie energie do elektrického náradia s vypínačom v zapnutej polohe môže spôsobiť úraz.
- **Pred zapnutím nástroja odstráňte prípadný nastavovací klin alebo kľúč.** Keď necháte kľúč alebo klin nasadený na rotujúci diel mechanického nástroja, môže dôjsť k vážnemu poraneniu osôb.
- **Nesiahajte príliš ďaleko. Neustále zachovávajte pevnú oporu nôh a rovnováhu.** Tak si zaistíte lepšiu kontrolu nad mechanickým nástrojom v nečakaných situáciách.
- **Primerane sa oblečte. Nenoste voľný odev ani šperky. Svoje vlasy a odev majte v bezpečnej vzdialenosti od pohyblivých dielov.** Voľný odev, šperky či dlhé vlasy sa môžu zachytiť do pohyblivých častí.
- **Ak sú zariadenia vybavené prípojkou pre zariadenie na odsávanie a zber prachu, pripojte ich a správne ich používajte.** Používanie zberu prachu môže znížiť nebezpečenstvá súvisiace s prachom.



- **Nedovoľte, aby znalosti získané počas častého používania náradia spôsobili, že budete ignorovať princípy bezpečnosti pre náradie.** Nepozorná činnosť môže v zlomku sekundy spôsobiť vážne poranenie.

POUŽÍVANIE ELEKTRICKÉHO NÁSTROJA A STABILNOSŤ OŇ

- **Na nástroj nevyvíjajte silu. Používajte vhodný produkt pre danú aplikáciu.** Správny produkt splní svoju úlohu lepšie a bezpečnejšie pri rýchlosti, na ktorú je určený.
- **Mechanický nástroj nepoužívajte, ak spínač nezapína a nevypína nástroj.** Mechanický nástroj, ktorý sa nedá ovládať spínačom, je nebezpečný a musí sa dať opraviť.
- **Pred vykonávaním akýchkoľvek úprav, výmenou príslušenstva alebo uskladnením elektrického náradia odpojte elektrickú zástrčku zo zdroja napájania a/alebo vyberte z elektrického náradia súpravu batérií, ak sa dá vybrať.** Takéto preventívne bezpečnostné opatrenia znižujú riziko náhodného spustenia výrobku.
- **Nečinné mechanické nástroje odložte mimo dosahu detí a nedovoľte používať mechanický nástroj osobám neoboznámeným s mechanickým nástrojom alebo týmito pokynmi.** Mechanické nástroje sú v rukách netrénovaných osôb nebezpečné.
- **Vykonávajte údržbu elektrického náradia a príslušenstva. Skontrolujte, či pohyblivé diely nie sú nesprávne nastavené alebo zablokované, či niektoré diely nie sú poškodené, ako aj akýkoľvek iný stav, ktorý by mohol ovplyvniť činnosť nástroja.** Pri poškodení nechajte pred opätovným použitím nástroj opraviť v servise. Mnoho nehôd je spôsobených nedostatočnou údržbou nástrojov.
- **Udržujte ostrosť a čistotu rezného náradia.** Správne udržiavané rezné náradie s ostrými reznými hranami menej pravdepodobne uviazne a jednoduchšie sa ovláda.
- **Výrobok, príslušenstvo, nadstavce a pod. používajte v súlade s týmito pokynmi a zohľadnite prítom pracovné podmienky a vykonávanú prácu.** Pri používaní mechanického nástroja na iné ako určené činnosti môže dôjsť k nebezpečným situáciám.
- **Rúčky a úchopné povrchy uchovávajte suché, čisté a bez oleja a maziva.** Šmyklivé rúčky a úchopné povrchy neumožňujú bezpečnú manipuláciu a ovládanie náradia v neočakávaných situáciách.

SERVIS

- **Servis mechanického nástroja prenechajte kvalifikovanému servisnému pracovníkovi s použitím len identických náhradných dielov.** Týmto sa zabezpečí, že sa zachová bezpečnosť elektrického nástroja.

BEZPEČNOSTNÉ VÝSTRAHY PRE STOLOVÚ BRÚSKU

- **Vždy používajte ochranné okuliare sluchu a protiprachovú masku.**
- **Používajte chrániče sluchu.** Vystavovanie hluku môže spôsobiť stratu sluchu.
- **Tento výrobok nie je určený na mokré brúsenie.**
- **Nepoužívajte poškodené príslušenstvo.** Pred každým použitím skontrolujte príslušenstvo ako sú brúsne kotúče, či nevykazujú zárezy alebo praskliny. Po skontrolovaní a namontovaní príslušenstva sa postavte vy aj okolostojaci mimo roviny rotujúceho príslušenstva a na jednu minútu spustíte elektrický náradie na maximálnu rýchlosť bez záťaže. Poškodené príslušenstvo sa zvyčajne počas tohto testu rozpadne.
- **Menovitá rýchlosť príslušenstva môže byť maximálne rovnaká maximálnej rýchlosti vyznačenej na elektrickom náradí.** Príslušenstvo pracujúce na vyššej ako svojej menovitej rýchlosti, sa môže rozbiť a rozpadnúť.
- **Nikdy nebrúste na bokoch brúsneho kotúča.** Brúsenie na boku môže spôsobiť zlomenie brúsneho kotúča a jeho odletenie.
- **Zástrčka sa musí zapojiť do vhodnej zásuvky, ktoré je správne namontovaná a uzemnená v súlade s miestnymi kódmi a nariadeniami.** Ak si nie ste istí, zavolajte si na kontrolu zásuvky kvalifikovaného elektrikára.
- **Namontujte výrobok pevne k pracovnému stolu, stojanu na brúsku alebo na iný pevný rám ešte predtým, ako ho začnete používať.** Nezabezpečené výrobok je nestabilný a môže sa pohybovať počas prevádzky. Toto môže spôsobiť poškodenie alebo zranenie.
- **Zabezpečte primerané všeobecné alebo lokálne osvetlenie, aby nevznikli stroboskopické efekty a riziká.**
- **Aby ste zabránili riziku kontaktu s otočnými vretenami, výrobok vždy používajte s brúsnymi kotúčmi namontovanými na oboch vretenách.**
- **Vždy používajte chrániče, opierky obrobku, priehľadné kryty a lapače iskier, ako sa vyžaduje pre príslušenstvo.**
- **Opierku obrobku nastavte tak, aby uhol medzi opierkou obrobku a dotyčnicou brúsneho kotúča bol vždy aspoň 85°.**
- **Pred spustením do prevádzky skontrolujte súčasti výrobku a celé príslušenstvo, aby ste zabezpečili podmienky pre riadnu prevádzku.** Dotiahnite matice brúsneho kotúča, zaistite skrutky a všetky svorky a ochranné kryty.
- **Pred každým spustením skontrolujte, či nie je brúsny kotúč poškodený.** Nepoužívajte poškodené alebo zdeformované kotúče. Každý poškodený brúsny kotúč vymeňte podľa pokynov.
- **Pred spustením skontrolujte, či sa brúsny kotúč voľne**



otáča. Opatrne otočte kotúč rukou na odpojenom a VYPNUTOM výrobku. Kotúč by sa nemal dotýkať žiadnej súčasti stolovej brúsky a nemali by byť prítomné žiadne zablokovania alebo iné podmienky, ktoré by mohli ovplyvniť riadnu prevádzku.

- Počas každého spustenia sa postavte na jednu stranu výrobku a ZAPNITE ho. Nechajte brúsku sa roztočiť na plné otáčky pod dobu jednej minúty, aby mohli byť odhalené všetky nezistené kazy alebo trhliny kotúča. Nedotýkajte sa kotúča s obrobkom, kým výrobok nedosiahne plné otáčky.
- Držte ruky a iné časti tela z dosahu brúsnych kotúčov. Kontakt s otáčajúcim sa kotúčom môže spôsobiť zranenie.
- Vždy používajte chrániče a priehľadné kryty. Chrániče majte na svojom mieste a v prevádzkyschopnom stave. Používanie výrobku bez ochranných krytov alebo s poškodenými krytmi môže spôsobiť poranenie.
- Vyhýbajte sa popáleninám. Brúsenie môže spôsobiť, že brúsené predmety a brúsny kotúč sa stanú horúce. Nedotýkajte sa brúsneho kotúča alebo predmetov, ktoré môžu byť horúce.
- Nepoužívajte výrobok na opracovanie malých predmetov alebo predmetov, ktoré sa nedajú poriadne uchytiť. Predmet môže byť vymrštený a spôsobiť poranenie.
- Nikdy nebrúste na bočnej strane kotúča. Kotúč sa rozbieha. Brúste iba na prednej strane kotúča.
- Stroj nikdy nenechajte spustený bez dozoru. Vypnite nástroj. Brúsne kotúče sa ďalej točia aj po vypnutí nástroja. Neodchádzajte od nástroja, kým sa úplne nezastaví.
- Nikdy nesiahajte za alebo pod brúsne kotúče.
- Pri dlhšej trvajúcej prevádzke používajte ochranné prostriedky, ako sú zátky do uší alebo slúchadlá.
- Pred vykonaním akýchkoľvek úprav, servisu alebo údržby odpojte zástrčku. Napájací kábel musí ostať odpojený vždy, keď vykonávate údržbu výrobku.
- Pravidelne nastavte opierky obrobku a lapače iskier, aby ste vyrovnali opotrebovanie brúsnych kotúčov.
- Nastavte opierky obrobku vždy, keď je to potrebné na udržanie čo najmensej vzdialenosti medzi opierkami obrobku a brúsnyimi kotúčmi. Táto vzdialenosť by mala byť menšia ako 2 mm. Keďže sa používaním znižuje priemer brúsneho kotúča, je potrebné, aby ste podľa toho udržiavali a upravovali maximálnu vzdialenosť opierky obrobku.
- Nastavte lapače iskier vždy, keď je to potrebné na udržanie čo najmensej vzdialenosti medzi lapačmi iskier a brúsnyimi kotúčmi. Táto vzdialenosť by mala byť menšia ako 2 mm. Keďže sa používaním znižuje priemer brúsneho kotúča, je potrebné, aby ste podľa toho udržiavali a upravovali maximálnu vzdialenosť lapača iskier.
- Opotrebovaný brúsny kotúč vymeňte, ak už nemožno zachovať 2-milimetrovú vzdialenosť medzi lapačom

iskier/opierkou obrobku a kotúčom.

- V prípade, že je lapač iskier opotrebovaný alebo poškodený, vymeňte ho za rovnakú náhradu, ktorú získate od autorizovaného servisného strediska.
- Pri nasadení nového brúsneho kotúča vždy skontrolujte, či uvedené maximálne otáčky sú rovnaké alebo vyššie ako tie, ktoré sú uvedené na výrobku. Zabezpečte, aby priemer kotúča a rozmer vretena zodpovedali rozmerom, uvedeným v technických podmienkach. Skontrolujte aj nový kotúč, či nie je poškodený, nemá trhliny alebo praskliny.

BEZPEČNOSTNÉ POKYNY PRE BRÚSNY KOTUČ

⚠ VAROVANIE

Aby sa znížilo riziko úrazu, používateľ si musí prečítať a dodržiavať pokyny, výstrahy a návod na použitie ešte pred začiatkom používania tohto brúsneho kotúča. Pri nerespektovaní týchto výstrah môže dôjsť k prasknutiu kotúča a vážnemu poraneniu osôb. Ušchovajte si tieto inštrukcie.

- Použitie akéhokoľvek brúsneho kotúča, iného, aký je odporúčaný v návode na obsluhu stroja, môže príviesť k riziku zranenia osôb. Používajte iba brúsne kotúče, na ktorých je vyznačená rýchlosť rovnaká alebo vyššia ako tá, ktorá je vyznačené na stroji.
- Nikdy nepoužívajte kotúč, ktorý je príliš hrubý a mohlo by umožniť prírubu kotúča zachytiť sa o plošky na vretene. Väčšie kotúče sa dostanú do kontaktu s krytmi kotúča, zatiaľ čo hrubšie kotúče zabránia maticovej skrutke zaistiť kotúč na vretene. Každá z týchto operácií by mohla mať za následok vážnu nehodu a mohla zapríčiniť poranenie osôb.
- Tento kotúč je určený na brúsenie a tvarovanie kovu. Nepokúšajte sa s kotúčom rezať.
- Tento brúsny kotúč je vhodný iba na brúsenie.
- Nepoužívajte poškodené brúsne kotúče, nepoužívajte kotúče, ktoré sú vyštrbené, prasknuté alebo inak poškodené.
- Pred použitím sa ubezpečte, že je brúsny kotúč správne namontovaný a utiahnutý.
- Stroj nesmie byť nikdy zapojený do elektrickej siete pri montáži alebo demontáži brúsnych kotúčov.
- Náhradný brúsny kotúč starostlivo uskladnite.
 - Pokiaľ je to možné, nechávajte kotúč vnútri v originálnom obale.
 - Uskladňujte kotúč na suchom mieste pri izbovej teplote.
 - Kotúče môžu byť uskladnené zvisle na polici.
 - Nedovoľte, aby kotúče spadli alebo akokoľvek narazili.

**Informácie sú dostupné na etikete na brúsnom kotúči.**

Informácia na etikete na kotúči je dôležitá. Prečítajte a starostlivo skontrolujte, aby ste sa uistili, že ste vybrali správny typ kotúča.

1. výrobca, dodávateľ, importér alebo obchodná známka
2. Menovité rozmery brúsneho kotúča, najmä priemer otvoru.
3. Typ brusiva, veľkosť zrna, stupeň tvrdosti, typ pojiva a použitie vystuženia.
4. Maximálna prevádzková rýchlosť v metroch za sekundu.
5. maximálna povolená rýchlosť otáčania v 1/min.
6. Vo vyhlásení o zhode musia byť brúsne výrobky označené normou EN 12413.
7. obmedzenie použitia a symboly bezpečnostných výstrah
8. stopovací kód, napr. číslo produkcie/dávky, číslo série

Kotúč možno bude treba vymeniť v každom z nasledujúcich prípadov.

1. Ak sa čelo brúsneho kotúča nerovnomerne opotrebuje, vykazuje drážky alebo už nie je hladké a rovné.
2. Ak už obvod brúsneho kotúča nie je kruh.
3. Ak je povrch brúsneho kotúča plný materiálu z obrobru a je tupý.
4. Ak sa vyskytuje akýkoľvek znak poškodenia.
5. Ak sa s ním ťažko pracuje.
6. Ak sa opierka obrobru/lapač iskier nedá nastaviť na vzdialenosť ≤ 2 mm od povrchu kotúča.
7. Ak z príruby trčí ≤ 1 cm kotúča. Pozrite si tipy na strane 147.

ZVYŠKOVÁ RIZIKOVOSŤ

Aj keď sa nástroj používa podľa predpisu, nie je možné eliminovať určité zvyškové rizikové faktory. Pri použití vznikajú nasledujúce riziká a obsluhujúca osoba musí venovať zvláštnu pozornosť, aby nedošlo k nasledovnému:

- Nebezpečenstvo kontaktu s nechránenými časťami rotujúceho kotúča.
- Riziko popálenia pri kontakte s horúcim kotúčom alebo obrobkom.
- Poškodenie respiračného systému pri nepoužívaní účinnej protiprachovej masky.
- Poškodenie sluchu pri nepoužívaní účinnej ochrany sluchu.

OBOZNÁMTE SA S VAŠIM PRODUKTOM

Vid' strana 141.

1. Priehradný kryt x 2
2. Lapač iskier x 2
3. Kryt kotúča x 2
4. Brúsny kotúč x 2
5. Opierka obrobru x 2
6. Hlavný spínač
7. Montážny otvor x 4
8. Zaisťovací gombík opierky obrobru x 2

ÚDRŽBA

- Produkt žiadnym spôsobom neupravujte ani nepoužívajte príslušenstvo, ktoré neschválil výrobca. Môže dôjsť k narušeniu bezpečnosti vás i iných osôb.
- Produkt nepoužívajte, ak akékoľvek spínače, ochranné kryty či iné funkcie nefungujú podľa ich účelu. Odovzdajte zariadenie do autorizovaného servisného centra na profesionálnu opravu alebo úpravu.
- Nevykonávajte žiadne nastavenia, pokiaľ je výrobok spustený.
- Pred vykonaním úprav, mazaním alebo vykonaním akejkoľvek údržby na produkte vždy skontrolujte, či bola zástrčka odpojená z elektrickej zásuvky.
- Pred a po každom použití skontrolujte, či produkt nie je poškodený alebo nemá zlomené diely. Produkt udržiavajte v špičkovom prevádzkovom stave – okamžite vymeňte súčasti za náhradné diely schválené výrobcom.
- Nahromadený prah vyčistite pomocou kefy alebo vysávača. Nepoužívajte stlačený vzduch.
- Na zabezpečenie bezpečnosti a spoľahlivosti musí všetky opravy, vrátane výmeny kefiiek, vykonávať autorizované servisné centrum.
- Poškodený prívodný kábel je riziko a je nutné ho vymeniť v autorizovanom servisnom stredisku.

VAROVANIE

Na zaistenie bezpečnosti a spoľahlivosti musí všetky opravy vykonávať **AUTORIZOVANÉ SERVISNÉ STREDISKO** alebo **KVALIFIKOVANÁ SERVISNÁ ORGANIZÁCIA**.

PREPRAVA A SKLADOVANIE

- Pri uskladnení produktu odpojte napájací kábel.
- Vyčistite výrobok kefou a vysávačom.
- Výrobok vždy prenášajte a zdvíhajte podľa pokynov v tomto návode na obsluhu.
- Výrobok chráňte pred silným nárazom a silnými vibráciami, ku ktorým môže dochádzať pri preprave vo vozidlách.
- Výrobok zaist'te proti šmykaniu a prevrhnutiu.
- Výrobok a jeho príslušenstvo skladujte na suchom a bezpečnom mieste, kde k nemu nemajú prístup deti.
- Na skladovanie odporúčame používať pôvodný obal, aby ste výrobok chránili pred prachom.

**OCHRANA ŽIVOTNÉHO PROSTREDIA**

Surové materiály recyklujte, nelikvidujte ich ako odpad. Stroj, príslušenstvo a obaly by sa mali triedene recyklovať spôsobom šetrným k životnému prostrediu.

SYMBOLY NA PRODUKTE

Bud'te ostražití



Pred spustením zariadenia si pozorne prečítajte tento návod.



Zhoda CE



Euroázijská značka zhody



Ukrajinské označenie zhody



Noste ochranu sluchu



Noste ochranu zraku



Nie je určené na mokré brúsenie alebo rezanie



Nepoužívajte vyštrbený, prasknutý alebo poškodený brúsny kotúč



Používajte ochranné rukavice



Smer otáčania kotúča (uvádza sa na etikete kotúča)



Smer otáčania kotúča (uvádza sa na chrániči kotúča)



Opotrebované elektrické zariadenia by ste nemali odhadzovať do domového odpadu. Prosíme o recykláciu ak je možné. Kontaktujte miestne úrady, alebo predajcu pre viac informácií ohľadom ekologického spracovania.

SYMBOLY V NÁVODE

Pripojte stroj.



Náradie odpojte zo zásuvky.



Diely alebo príslušenstvo predávané samostatne

Nasledujúce značky a významy vysvetľujú úroveň rizika spojeným s výrobkom.

⚠ NEBEZPEČENSTVO

Označuje bezprostredne nebezpečnú situáciu, ktorá, ak jej nepredídete, spôsobí usmrtenie alebo vážne poranenie.

⚠ VAROVANIE

Označuje potenciálne nebezpečnú situáciu, ktorá, ak jej nepredídete, môže spôsobiť usmrtenie alebo vážne poranenie.

⚠ UPOZORNENIE

Označuje potenciálne nebezpečnú situáciu, ktorá, ak jej nepredídete, môže spôsobiť menšie alebo stredne závažné poranenie.

UPOZORNENIE

(Bez výstražnej značky s výkričníkom) Označuje situáciu, ktorá môže zapríčiniť škody na majetku.



Безопасността, работните характеристики и надеждността имат най-висок приоритет при проектирането на настолната Ви шлифовъчна машина.

ПРЕДНАЗНАЧЕНИЕ

- Тази настолна шлифовъчна машина е предназначена за шлифване и оформяне на метал. Машината може да се използва за заточване на метални ръчни инструменти (напр. длета, оси, ножове), свредла и за отстраняване на чеплъци или остри ръбове.
- С подходящите принадлежности, машината може да се използва за почистването на метални повърхности с помощта на телена четка или за пемзоване и полиране с помощта на текстилен диск.
- Никога не използвайте машината за операции за рязане.

ОСНОВНИ ПРЕДУПРЕЖДЕНИЯ ЗА БЕЗОПАСНОСТ ПРИ РАБОТА С ЕЛЕКТРИЧЕСКИ ИНСТРУМЕНТИ

⚠ ПРЕДУПРЕЖДЕНИЕ

Прочетете всички предупреждения за безопасност инструкции, илюстрации и спецификации, предоставени с този електрически инструмент. Неспазването на инструкциите, изброени по-долу, може да доведе до електрически удар, пожар и/или тежки физически травми.

Съхранявайте всички предупреждения и инструкции за бъдещи справки. Терминът „електрически инструмент“ в предупрежденията се отнася за вашия инструмент - със захранване от електрическата мрежа (с кабел) или на батерия (безжичен).

БЕЗОПАСНОСТ НА РАБОТНАТА ЗОНА

- Поддържайте работното пространство чисто и добре осветено. Безпорядъкът или тъмнината в работното пространство са предпоставка за злополуки.
- Не използвайте електрически инструменти в експлозивни среди, например в присъствието на запалителни течности, газове или прах. По време на работа електрическите инструменти произвеждат искри, които могат да възпламенят прах или пари.
- Дръжте децата и страничните наблюдатели далече, докато боравите с електрически инструмент. Ако вниманието ви бъде отклонено, може да загубите контрола над електрическия инструмент.

ЕЛЕКТРИЧЕСКА БЕЗОПАСНОСТ

- Щепселът на електрическия инструмент трябва да е съвместим с контакта. В никакъв случай не внасяйте изменения в конструкцията на щепсела. Когато работите със занулени електрически инструменти, не използвайте адаптери за щепсела. Използването на оригиналните щепсели и контакти намалява риска от токов удар.
- Избягвайте допир със заземени повърхности, като тръби, радиатори, печки и хладилници. Когато тялото ви е заземено, рискът от възникване на токов удар е по-голям.
- Не излагайте продукта на дъжд или влажни условия. Проникването на вода в електрическия инструмент повишава опасността от токов удар.
- Не насилвайте захранващия кабел. Никога не носете, не изключвайте и не дърпайте електрическия инструмент за кабела. Предпазвайте кабела от нагряване, омасляване, допир до остри ръбове или до подвижни звена на машини. Повредените или усукани кабели увеличават риска от токов удар.
- Когато работите с електрически инструмент на открито, използвайте само удължителни кабели, предназначени за работа на открито. Използването на удължител, предназначен за работа на открито, намалява риска токов удар.
- Ако не можете да избегнете използването на електрически инструмент на влажно място, използвайте RCD (прекъсвач със защитно изключване). Използването на RCD намалява опасността от електрически удар.

ЛИЧНА БЕЗОПАСНОСТ

- Бъдете бдителни, внимавайте какво правите и проявявайте благоразумие, когато боравите с електрически инструмент. Не използвайте електрическия инструмент, когато сте уморени или под влиянието на наркотични вещества, алкохол или лекарства. Миг невнимание, докато боравите с електрически инструмент, е достатъчен за получаването на сериозни наранявания.
- Използвайте лична защитна екипировка. Винаги носете защитни очила. Защитната екипировка, като маска против прах, пригодени против плъзгане защитни обувки, твърда шапка или антифони, използвани за подходящите условия, ще намали опасността от физически наранявания.
- Не допускайте нежелано стартиране. Преди да вдигате или носите инструмента и преди да го включвате в електрическата мрежа и/или батерия, винаги проверявайте дали превключвателят е на позиция OFF (изкл). Носенето на инструмента с пръст върху превключвателя или включването му към електричеството, докато превключвателят му е на включен, е предпоставка за злополуки.
- Махнете всички гаечни или френски ключове



за настройка преди да включите инструмента. Помощен инструмент, забравен на въртящ се елемент, може да доведе до физически наранявания.

- Не се протягайте, за да работите на трудно достижими места. Винаги стъпвайте стабилно по време на работа и пазете равновесие. Това дава възможност за по-добър контрол над електрическия инструмент в неочаквани ситуации.
- Обличайте се целесъобразно. Не носете широки дрехи или украшения. Пазете косата и дрехите си далеч от движещите се части. Широките дрехи, украшенията, дългите коси могат да бъдат захванати и увлечени от движещи се елементи.
- Ако устройствата са оборудвани със съоръжение за издърпване и събиране на прах, уверете се, че е то свързано и функционира правилно. Използването на устройства за събиране на прах ще намали рисковете, свързани с работа в прашни условия.
- Не позволявайте опита ви с често използване на инструменти да ви направи прекалено самоуверени и да ви накара да игнорирате принципите за безопасност. Едно небрежно действие може да доведе до сериозно нараняване в рамките само на секунда.

ИЗПОЛЗВАНЕ И ОБСЛУЖВАНЕ НА ЕЛЕКТРИЧЕСКИЯ ИНСТРУМЕНТ

- Не насилвайте продукта. Използвайте електрическия инструмент, съобразно неговото предназначение. Правилно подобраният електрически инструмент ще свърши работата по-добре и по-безопасно в зададения от производителя диапазон на натоварване.
- Не използвайте електрически инструменти, чиито пусков прекъсвач е повреден. Електрически инструмент, който не може да бъде контролиран посредством превключвател, е опасен и трябва да бъде ремонтиран.
- Изключете щепсела от захранващия източник и/или извадете акумулаторната батерия от електрическия инструмент, ако е демонтируема, преди извършване на каквито и да са настройки, смяна на принадлежности или съхраняване на електрически инструменти. Тази мярка премахва опасността от задействане на електрическия инструмент по невнимание.
- Съхранявайте незаетите електрически инструменти на недостъпни за деца места и не позволявайте на лица, непознати с инструмента или с тези указания, да боравят с него. Когато са в ръцете на неопитни потребители, електрическите инструменти могат да бъдат изключително опасни.
- Поддържайте в добро състояние електрическите инструменти и техните принадлежности. Проверявайте за неизправности или заклиняване

в подвижните елементи, за счупени части или други обстоятелства, които могат да влошат работата на електрическия инструмент. Преди да използвате електрическия инструмент, се погрижете повредите да бъдат отстранени. Много от трудовите злополуки се дължат на недобре поддържани електрически инструменти.

- Поддържайте режещите инструменти винаги добре заточени и чисти. Инструменти, за които е полагана правилна грижа и са с добре наточени режещи елементи, се управляват по-лесно и вероятността да заядат е по-малка.
- Използвайте електрическите инструменти, принадлежностите и режещите и др. части съобразно тези указания, като се съобразявате с работните условия и с работата, която ще извършвате. Използването на електрически инструменти за различни от предвидените от производителя приложения повишава опасността от възникване на трудови злополуки.
- Поддържайте ръкохватките и повърхностите за захващане сухи, чисти и неомаслени. Хлъзгавите ръкохватки и повърхности за захващане не дават възможност за безопасно управление и контролиране на инструмента при възникване на неочаквани ситуации.

СЕРВИЗНО ОБСЛУЖВАНЕ

- Ремонтът на електрическите инструменти трябва да се извършва само от квалифицирани специалисти и само с използването на оригинални резервни части. По този начин се гарантира поддържането на безопасност при работа с електрическия инструмент.

ПРЕДУПРЕЖДЕНИЯ ЗА БЕЗОПАСНОСТ НА НАСТОЛНАТА ШЛИФОВЪЧНА МАШИНА

- Винаги носете предпазни очила и противопрахова маска.
- Носете антифони Излагането на шум може да причини увреждане на слуха.
- Този продукт не е подходящ за мокро шлайфане.
- Не използвайте аксесоар, ако е повреден. Преди всяко използване, проверявайте принадлежностите, напр. абразивните дискове, за отчупвания и пукнатини. След проверката и поставянето на аксесоар, вие и страничните лица трябва да застанете настрана от зоната на действие на ротационния аксесоар и след това стартирайте електрическия инструмент на максимална скорост без натоварване в продължение на една минута. Обикновено повредените аксесоари ще се счупят през този тестов период.
- Номиналната скорост на аксесоара трябва да е поне равна на максималната скорост, означена върху електрическия инструмент. Аксесоари,



работещи по-бързо от номиналната си скорост, могат да се счупят и да се разхвърчат части от тях.

- **Никога не шлифовайте със страните на диска за заточване.** Шлифоването със страната може да доведе до счупване на диска и изхвърляне на парчета.
- Щепселът трябва да се включва в съответстващ електрически контакт, които е правилно инсталиран и заземен в съответствие с всички местни закони и разпоредби. Ако не сте сигурни, повикайте акредитиран електротехник, за да провери щепселната кутия.
- Монтирайте настолната шлифовъчна машина здраво към работната маса, шмиргела за заточване на инструменти или друга корава рамка преди работа. Незакрепена настолна шлифовъчна машина е нестабилна и може да се движи по време на експлоатация. Това може да доведе до повреда или нараняване.
- Осигурете адекватно общо или местно осветление, за да предотвратите стробоскопичен ефект и опасности.
- Винаги използвайте продукта с дисковете за заточване, монтирани и на двата шпиндела, за да се ограничи рискът от контакт с въртящите се шпиндели.
- Винаги използвайте предпазители, работни подпори, прозрачни екрани и искрогасители според изискванията за принадлежностите.
- Винаги регулирайте работната подпора така, че ъгълът между нея и допирателната на диска за заточване да е по-голям от 85°.
- Преди работа инспектирайте компонентите и всякакви принадлежности на настолната шлифовъчна машина, за да се уверите, че няма никакви условия, които могат да повлияят правилното ѝ функциониране. Затегнете контрагайките на шлифовъчните дискове, осигурителните болтове и всички скоби и предпазни устройства.
- Преди всяко пускане, инспектирайте шлифовъчния диск за повреда. Не използвайте повредени или неоформени дискове. Заменете всеки повреден шлифовъчен диск съгласно инструкциите.
- Преди всяко пускане проверявайте, че дискът се върти свободно. При невключена настолна шлифовъчна машина и превключвател, завъртян на OFF (ИЗКЛ), внимателно завъртете шлифовъчния диск на ръка. Шлифовъчният диск не трябва да контактува с никакви компоненти на настолната шлифовъчна машина и не трябва да има никакво заяждане или други условия, които могат да повлияят на правилната работа.
- По време на всяко пускане, стойте от едната страна на шлифовъчната машина и я **ВКЛЮЧЕТЕ**. Оставете я да работи на пълна скорост една минута, така че всякакви неоткрити дефекти или пукнатини на диска да станат видими. Не допирайте диска с работния

детайл, докато настолната шлифовъчна машина не достигне пълна скорост.

- Пазете ръцете и частите на тялото на разстояние от шлифовъчни дискове. Контакт с въртящ се шлифовъчен диск може да причини нараняване.
- Винаги използвайте предпазители и прозрачни екрани. Предпазителите трябва да са винаги монтирани и в добро работно състояние. Експлоатацията на настолната шлифовъчна машина без предпазни устройства или с повредени такива може да доведе до нараняване.
- Избягвайте изгаряния. Шлифоването може да направи детайлите и шлифовъчния диск горещи. На докосвайте шлифовъчния диск или детайлите, които могат да бъдат горещи.
- Не използвайте шлифовъчната машина за работа върху малки детайли или детайли, които не могат да се държат правилно. Детайлът може да бъде изхвърлен и да причини нараняване.
- Никога не шлифовайте със страната на диска. Дискът ще се разтроши. Шлифовайте само с лицето на диска.
- Никога не оставяйте електрическия инструмент без надзор. Завъртете превключвателя на OFF (ИЗКЛ). Шлифовъчните дискове продължават да се въртят по инерция, след като продуктът е изключен. Не оставяйте инструмента, преди да е спрял напълно.
- Никога не докосвайте шлифовъчните дискове отзад или отстрани.
- Използвайте защитни слушалки, като напр. тапи или защитни наушници, по време на продължителни периоди на работа.
- Изваждайте щепсела преди извършването на каквато и да е настройка, обслужване или поддръжка. Силовият кабел трябва да остане изключен, когато извършвате поддръжка на настолната шлифовъчна машина.
- Регулирайте често работните подпори и искрогасителите, за да се компенсира износването на дисковете за заточване.
- Регулирайте работните подпори, когато е необходимо, за да запазите разстоянието между тях и дисковете за заточване колкото е възможно по-малко. Това разстояние трябва да е по-малко от или равно на 2 mm. Понеже диаметърът на диска за заточване намалява при използването, поддържайте максималното разстояние на работната подпора чрез коригирането му.
- Регулирайте искрогасителите, когато е необходимо, за да запазите разстоянието между искрогасителите и шлифовъчните дискове колкото е възможно по-малко. Това разстояние трябва да е по-малко от или равно на 2 mm. Понеже диаметърът на шлифовъчния диск намалява с използването, поддържайте максималното разстояние на искрогасителя чрез коригирането му.
- Подменете износения диск, когато вече не е





възможно да се поддържа разстояние от 2 mm между искрогасителя/работната подпора и диска.

- Ако искрогасителят или работната подпора се износи или повреди, заменете ги с идентична резервна част от упълномощен сервизен център.
- При монтажа на нов шлифовъчен диск, винаги проверявайте, че обявените максимални RPM съответстват или надвишават обявените на шлифовъчната машина. Уверете се, че диаметърът на диска и размерът на вала съответстват на обявеното в спецификациите. Винаги проверявайте новия диск за повреди, като напр. дефекти или пукнатини.

ИНСТРУКЦИИ ЗА БЕЗОПАСНОСТ НА ШЛИФОВЪЧЕН ДИСК

⚠ ПРЕДУПРЕЖДЕНИЕ

За намаляване на опасността от нараняване, потребителят трябва да чете и да спазва инструкциите, предупрежденията и ръководството на потребителя преди започване на използването на този шлифовъчен диск. Неспазването на тези предупреждения може да доведе до разрушаване на диска и сериозни наранявания. Запазете това ръководство.

- Използването на какъвто и да е друг диск освен препоръчания в ръководството с инструкции за машината може да представлява опасност от наранявания. Използвайте само шлифовъчни дискове, които имат маркирана скорост, равна или по-голяма от маркираната върху машината.
- Никога не използвайте шлифовъчен диск, който е твърде дебел, за да позволи на външния фланец да влезе в контакт с плоскостта на шпиндела. По-големи дискове ще влязат в контакт с предпазните устройства, докато по-дебели дискове ще попречат на болта за закрепване на диска на шпиндела. Всяка от тези ситуации може да доведе до сериозен инцидент и да причини сериозно нараняване.
- Този диск е за шлифоване и оформяне на метал. Не се опитвайте да извършвате режеща операция.
- Този шлифовъчен диск е подходящ само за сухо шлифоване.
- Не използвайте повредени шлифовъчни дискове, не използвайте дискове, които са отчупени, напукани или дефектни по друг начин.
- Преди използване се уверете, че абразивният шлифовъчен диск е правилно монтиран и затегнат.
- Машината никога не трябва да бъде свързана към електрозахранването, когато монтирате или сваляте шлифовъчни дискове.
- Съхранявайте грижливо резервния си шлифовъчен диск.

- Дръжте диска в оригиналната му опаковка, ако е възможно.
- Съхранявайте диска в сухо помещение при стайна температура.
- Дисковете могат да се съхраняват във вертикално положение на рафт.
- Не позволявайте дисковете да падат или да пострадат при удар.

Налична информация за етикета на шлифовъчния диск

Информацията на етикета на диска е важна. Прочете я и я проверете внимателно, за да се уверите, че сте избрали правилния тип диск.

1. Производител, доставчик, вносител или търговска марка.
2. Номинални размери на шлифовъчния диск, в частност диаметъра на отвора.
3. Тип на абразива, размер на зърното, клас или твърдост, тип на свързващото вещество и използването на армировка.
4. Максимална работна скорост в метри за секунда.
5. Максимална разрешена скорост на въртене в 1/min.
6. За декларацията за съответствие абразивните продукти трябва да бъдат маркирани по EN 12413.
7. Ограничение за използване и символи за предупреждения за безопасност.
8. Код за проследяване, например, номер на производство/партиден номер, срок на валидност или сериен номер.

При всяко едно от следните обстоятелства може да е необходима подмяна на диска.

1. Ако лицевата страна на диска за заточване е износена неравно, стане оребрена или вече не е гладка и плоска.
2. Ако диаметърът на диска за заточване вече не е кръгъл.
3. Ако повърхността на диска се претовари и затыпи с материал от детайла.
4. Ако има някакъв признак за повреда.
5. Ако стане трудно да се работи с него.
6. Ако работната подпора/искрогасителят не може да се регулира на разстояние ≤ 2 mm от повърхността на диска.
7. Ако ≤ 1 cm от диска стърчи от фланеца. Вж. съветите на стр. 147.

НЕПРЕДВИДЕНИ РИСКОВЕ.

Дори когато продуктът се използва по предназначение, е невъзможно напълно да се ограничи влиянието на определени рискови фактори. Рисковете, описани по-долу, може да възникнат по време на употреба и операторът трябва да внимава за избягването на следното:

- Опасност от контакт с незащитени части на въртящия се диск.
- Опасност от изгаряния при контакт с горещия диск





или обработван детайл.

- Увреждане на дихателната система, ако не се носи ефективна противопрахова маска.
- увреждане на слуха, ако не се използват ефективни предпазни средства.

ОПОЗНАЙТЕ ВАШИЯ ПРОДУКТ

Вж. страница 141.

1. Прозрачен екран x 2
2. Искрогасител x 2
3. Предпазно устройство на диска x 2
4. Шлифовъчен диск x 2
5. Ножова опора x 2
6. Превключвател ПУСКАНЕ/СПИРАНЕ
7. Монтажен отвор x 4
8. Фиксиращо копче на ножовата опора x 2

ПОДДРЪЖКА

- По никакъв начин не модифицирайте машината и не използвайте принадлежности, които не са одобрени от производителя. Безопасността Ви и тази на другите може да бъде компрометирана.
- Не използвайте машината, ако някои превключватели, предпазни устройства или други функции не работят по предназначение. Изпратете за ремонт или смяна в упълномощен сервис.
- Не правете никакви настройки, докато машината работи.
- Винаги се уверявайте, че щепселът е отстранен от електрическата мрежа преди извършване на настройки, смазване, или когато извършвате каквато и да е поддръжка на машината.
- Преди и след всяко използване, проверявайте машината за повреда или счупени части. Съхранявайте машината в перфектно работно състояние като незабавно заменяте части с резервни части, препоръчани от производителя.
- Почиствайте натрупания прах с помощта на четка или прахосмукачка. Не използвайте сгъстен въздух.
- За осигуряване на безопасност и надеждност, всички ремонти, включително смяната на четки, трябва да се извършва от упълномощен сервисен център.
- Ако захранващият кабел бъде повреден, той трябва да се смени от оторизиран сервис, за да се избегнат рискове.

⚠ ПРЕДУПРЕЖДЕНИЕ

За по-голяма безопасност и надеждност всички ремонти трябва да се извършват от оторизиран сервис на RYOBI.

ТРАНСПОРТИРАНЕ И СЪХРАНЕНИЕ

- При съхраняване на машината, извадете захранващия кабел.
- Почистете продукта с помощта на четка и прахосмукачка.
- Винаги носете и вдигайте продукта съгласно инструкцията в настоящото ръководство на потребителя.
- Пазете продукта от силни удари и вибрации, които може да възникнат по време на транспортиране с превозни средства.
- Обезопасете продукта, за да не плъзга или преобърне.
- Съхранявайте продукта и принадлежностите на сухо, сигурно място, което е недостъпно за деца.
- Препоръчваме ви да използва оригиналната опаковка за съхранение, за да предпазите продукта от прах.

ОПАЗВАНЕ НА ОКОЛНАТА СРЕДА



Рециклиране на суровини, вместо за обезвреждане като отпадък. Машината, допълнителните приспособления и опаковките трябва да бъдат подложени на подходяща преработка за оползотворяване на съдържащите се в тях вторични суровини.

СИМВОЛИ НА ПРОДУКТА



Предупреждение относно безопасността



Моля, прочетете внимателно инструкциите, преди да стартирате продукта.



CE съответствие



EurAsian знак за съответствие



Украински знак за съответствие



Носете антифони



Носете защитни средства за очи



Не е предназначена за мокро шлифование или рязане



Не използвайте надраскан, пукнат или дефектен шлифовъчен диск



Носете предпазни ръкавици



Посока на въртене на диска (посочена е на етикета на диска)



Посока на въртене на диска (посочена е на предпазителя на диска)



Електрическите уреди не трябва да се изхвърлят заедно с битовите отпадъци. Рециклирайте, където има възможност. За съвети относно рециклирането се обърнете към вашите местни власти или търговски представители.

СИМВОЛИ В НАСТОЯЩОТО РЪКОВОДСТВО



Включете машината.



Изключете продукта от захранването.



Частите или принадлежностите се продават отделно

Следните сигнални думи и значенията им са предназначени да обяснят нивата на опасност, свързани с този продукт.

ОПАСНОСТ

Указва неминуемо опасна ситуация, която ако не бъде избегната, ще доведе до сериозни наранявания или смърт.

ПРЕДУПРЕЖДЕНИЕ

Указва потенциално опасна ситуация, която ако не бъде избегната, може да доведе до сериозни наранявания или смърт.

ВНИМАНИЕ

Указва потенциално опасна ситуация, която ако не бъде избегната, може да доведе до дребни или средни наранявания.

ВНИМАНИЕ

(Без предупредителен символ за безопасност) Указва ситуация, която може да доведе до имуществени щети.



Головними міркуваннями при розробці цього настільного точноно-шліфувального верстату були безпека, ефективність та надійність.

ПРИЗНАЧЕННЯ

- Цей точноно-шліфувальний верстат призначений для шліфування і формування металу. Пристрій може бути використаний для загострення металевих ручних інструментів (наприклад, зубила, сокири, ножі) і свердла, і прибирання зазублин і гострих країв.
- З використанням належного приладдя, пристрій може бути використаний для очищення металевих поверхонь за допомогою дряпаної щітки або для шліфування й полірування з використанням суконного диска.
- Ніколи не використовуйте пристрій для різання.

ГОЛОВНІ ПОПЕРЕДЖЕННЯ З БЕЗПЕКИ ЕЛЕКТРОІНСТРУМЕНТУ

▲ ПОПЕРЕДЖЕННЯ

Прочитайте всі правила безпеки, інструкції, ілюстрації і специфікації, що поставляються з електроінструментом. Недотримання всіх зазначених інструкцій може призвести до ураження електричним струмом, пожежі та/або серйозних травм.

Збережіть всі інструкції і вказівки для майбутнього використання. Термін «електроінструмент» «в попередженнях відноситься до Вашого мережевого (з кабелем) електроінструменту або з батарейним живленням (бездротового) електроінструменту.

БЕЗПЕКА РОБОЧОГО МІСЦЯ

- Утримуйте робоче місце в чистоті і добре освітленим. Безлад на робочому місці або темні місця спричиняють аварії.
- Не використовуйте електроінструменти у вибухонебезпечній атмосфері, наприклад, у присутності легкозаймистих рідин, газів або пилу. Електричні інструменти створюють іскри, що можуть запалити пил або пари.
- Тримайте дітей та сторонніх осіб подалі під час роботи електроінструментом. Відволікання уваги може призвести до втрати контролю.

ЕЛЕКТРОБЕЗПЕКА

- Вилка живлення електроінструменту повинна відповідати розетці. Ніколи не змінюйте вилку. Не використовуйте ніякі вилки-перехідники з заземленими (замкнутими на землю) електроінструментами. Не змінені вилки та відповідні розетки зменшують ризик ураження електричним струмом.

- Уникайте контакту тіла з заземленими поверхнями, такими як труби, радіатори, плити та холодильники. Існує підвищений ризик ураження електричним струмом, якщо ваше тіло заземлене.
- Не піддавайте електроінструменти впливу дощу або вологих умов. Вода, що потрапила в електроінструмент збільшує ризик ураження електричним струмом.
- Не зловжуйте шнур. Ніколи не використовуйте шнур живлення для перенесення, переміщення або вилучення вилки з розетки. Тримайте шнур подалі від тепла, масла, гострих кромки або рухомих частин. Пошкоджені або заплутані шнури збільшують ризик ураження електричним струмом.
- При роботі з електроінструментом на вулиці, використовуйте подовжувач, відповідний для використання на відкритому повітрі. Використання кабелю, придатного для використання на відкритому повітрі, знижує ризик ураження електричним струмом.
- При роботі з електроінструментом у вологому середовищі використовуйте залишковий поточний пристрій (ЗПП) захищеного живлення. Використання ЗПП знижує ризик ураження електричним струмом.

ОСОБИСТА БЕЗПЕКА

- Будьте уважні, дивіться, що ви робите, і використовуйте здоровий глузд при роботі з електроприладами. Не використовуйте електроінструмент, якщо Ви втомилися або перебуваєте під впливом наркотиків, алкоголю або ліків. Найменша необережність при роботі з електроінструментом може призвести до серйозних травм.
- Використовуйте персональне захисне обладнання. Завжди надягайте захисні окуляри. Захисне устаткування, наприклад, респіратор, взуття на нековзній підшві, захисний шолом або засоби захисту органів слуху, використовувати в належних умовах, зменшать ризик отримання травми.
- Запобігайте випадковому запуску. Переконайтеся, що вимикач знаходиться у вимкненому положенні перед підключенням до джерела живлення та / або акумуляторної батареї, підніманням або переміщенням інструменту. Не переносьте електроінструмент з пальцем на вимикачі або подачею живлення на інструмент, який має перемикач, щоб запобігти нещасного випадку.
- Перед включенням електроінструменту знімайте регульовальний або гайковий ключ. Гайковий ключ або регульовальний ключ, залишений на обертаємій частині електроінструменту, може призвести до травми.
- Не тягніться. Зберігайте правильну стійку і



баланс весь час. Це дозволяє краще контролювати інструмент в несподіваних ситуаціях.

- **Одягайтеся правильно. Не носіть вільний одяг або прикраси. Тримайте волосся та одяг далі від частин пристрою, що рухаються.** Вільний одяг, прикраси або довге волосся можуть потрапити в рухомі частини.
- **Якщо є пристрої для підключення для збору пилу, переконайтеся, що вони під'єднані і використовуються правильно.** Використання пилозбірника знижує небезпеку, пов'язану з запиленістю.
- **Не дозволяйте звичці від частого використання пристрою стати причиною втрати пильності та не ігноруйте правила безпеки під час роботи з пристроєм.** Необережні дії можуть стати причиною серйозного травмування менш ніж за секунду.

ВИКОРИСТАННЯ ТА ДОГЛЯД ЗА ЕЛЕКТРОІНСТРУМЕНТОМ

- **Не перевантажуйте електроінструмент. Використовуйте відповідний для вашої потреби електроінструмент.** Електроінструмент виконає роботу краще і безпечніше при швидкості, для якої він був розроблений.
- **Не використовуйте електроінструмент, якщо перемикач не включає та вимикає його.** Будь-який електроінструмент, який не може управлятися за допомогою перемикача, є небезпечним і має бути відремонтований.
- **Перед здійсненням будь-яких налаштувань, заміною аксесуарів або зберіганням пристрою від'єднайте штекер від електричної мережі та/або вийміть акумулятор з електричного пристрою, якщо він знімний.** Такі профілактичні заходи безпеки зменшують ризик випадкового включення електроінструмента.
- **Зберігайте непрацюючі електроприлади у недоступному для дітей місці і не дозволяйте особам, які не знайомі з інструкціями електричного прилада або з даними інструкціями, працювати з електроприладами.** Електроінструменти небезпечні в руках недосвідчених користувачів.
- **Обслуговування електричного пристрою та аксесуарів.** Перевірте розрегульовані або зв'язані рухомі частини, поломані частини і будь-які інші умови, які можуть вплинути на роботу електроінструменту. Якщо пошкоджений, відремонтуйте електроінструмент перед використанням. Багато нещасних випадків є наслідком поганого догляду за електроінструментом.
- **Тримайте ріжучий інструмент гострим і чистим.** Добре доглянутий ріжучий інструмент з гострими ріжучими краївками рідше зв'язується і легше контролюється.
- **Використовуйте електроінструмент, аксесуари та насадки відповідно до цих інструкцій, беручи**

до уваги умови роботи і роботу, що повинна бути виконана. Використання електричного інструменту для операцій, які відрізняються від призначених, може призвести до небезпечної ситуації.

- **Тримайте ручки та різальні поверхні сухими, чистими та очищеними від олії та мастил.** Ковзкі ручки та різальні поверхні не призначені для безпечного утримування та контролювання пристрою у неочікуваних ситуаціях.

СЕРВІС

- **Дозволяйте обслуговувати ваш електроінструмент тільки кваліфікованому персоналу, використовуючи тільки ідентичні запасні частини.** Це буде гарантувати безпечне обслуговування електроінструменту.

ПОПЕРЕДЖЕННЯ З БЕЗПЕКИ ПІД ЧАС РОБОТИ З ТОЧИЛЬНО-ШЛІФУВАЛЬНИМ ВЕРСТАТОМ

- **Завжди надягайте захисні окуляри і респіратор.**
- **Носіть захисні навушники.** Вплив шуму може призвести до втрати слуху.
- **Цей виріб не призначений для вологого шліфування.**
- **Не використовуйте пошкоджені диски.** Перед кожним використанням слід переконатися у відсутності на компонентах - наприклад абразивних дисках - щербин або тріщин. Після перевірки та встановлення диска встановте (разом із сторонніми спостерігачами) поза площиною обертового диска та увімкніть виріб на максимальну швидкість без навантаження на одну хвилину. Пошкоджені диски зазвичай розламуються при тестовому ввімкненні.
- **Номинальна швидкість диску повинна бути як мінімум рівною максимальній швидкості, зазначеній на силовому інструменті.** Диски, які обертаються швидше за їх номінальну швидкість можуть розколотися і їх частини можуть розлетітися.
- **Ніколи не шліфуйте гранями диска.** Шліфування гранями може призвести до розламування диска та розлітання скалок.
- **Вилка повинна бути підключена до відповідної розетки, яка встановлена належним чином і заземлена відповідно до всіх місцевих нормативів і правил.** Якщо ви невпевнені, то кваліфікований електрик повинен перевірити штепсельну розетку.
- **Перш ніж приступити до роботи міцно змонтуйте пристрій у верстаті, на підставці для шліфування або на іншу жорстку раму.** Незакріплений точно-шліфувальний верстат є нестабільним і може переміщатися під час роботи. Це може привести до пошкодження та травмування.
- **Забезпечте достатню загальну або локалізоване освітлення, щоб запобігти стробоскопічному ефекту і небезпеці.**



- Завжди використовуйте виріб з дисками, встановленими з обох боків шпинделя, щоби запобігти контакту з рухомими поверхнями.
- Завжди використовуйте захисні щитки, опори, прозорі щитки та іскрогасники, як того вимагають правила безпеки.
- Завжди виставляйте опору так, щоб кут між упором та лінією шліфувального диска перевищував 85° .
- Перед роботою, перевірте компоненти і будь-яке приладдя, щоб гарантувати, що немає ніяких умов, які можуть вплинути на нормальну роботу. Затягніть контргайки шліфувального диска, болти, все фіксатори і захисне приладдя.
- Перед початком кожного запуску, перевірте шліфувальний круг на наявність пошкоджень. Ніколи не використовуйте пошкоджені або деформовані диски. Замініть пошкоджені шліфувальні диски згідно з інструкцією.
- Перед кожним запуском переконайтеся, що диск обертається вільно. Після відключення від живлення та коли перемикач у вимкненому положенні, обережно обертайте диск вручну. Диск не повинен контактувати з будь-якими компонентами точно-шліфувального верстата, і не повинно бути ніяких інших умов, які можуть вплинути на нормальну роботу.
- Під час кожного запуску, при вмиканні слід стояти з одного боку від пристрою. Дайте пристрою попрацювати на повній швидкості протягом однієї хвилини, щоб виявилися будь-які дефекти або тріщини диска. Не торкайтеся оброблюваної деталі, поки пристрій не досяг повної швидкості.
- Не торкайтесь шліфувального диску руками або іншими частинами тіла. Контакт з диском, що обертається може привести до травмування.
- Завжди використовуйте обмежувальні та прозорі екрани. Захисні кожухи повинні бути встановлені на місце та бути у доброму робочому стані. Експлуатація пристрою без захисного обладнання або з пошкодженим обладнанням може призвести до травм.
- Уникайте опіків. Шліфування може спричинити значне нагрівання деталей та шліфувального диску. Не торкайтесь шліфувального диску або деталей, які можуть бути гарячими.
- Не використовуйте пристрій для роботи з маленькими деталями, або з деталями, які незручно тримати. Деталь може відскочити та стати причиною травмування.
- Ніколи не шліфуйте гранями диску. Диск може розколотися. Шліфуйте тільки лицевою частиною диску.
- Ніколи не залишайте працюючий пристрій без нагляду. Вимикайте живлення. Круг продовжує обертатися після того, як прилад вимкнено. Не залишайте інструмент, доки він не зупиниться повністю.
- Ніколи не беріть шліфувальні диски знизу або ззаду.
- Використовуйте засоби захисту слуху, наприклад навушники-вкладиші або накладні, під час тривалого періоду експлуатації.
- Вийміть вилку перед проведенням будь-яких робіт з регулювання, обслуговування і догляду. Під час обслуговування пристрою завжди відключайте його з електромережі.
- Регулярно перевіряйте положення опор та іскрогасників і коригуйте їх у відповідності зі зношенням шліфувального диска.
- У разі потреби відрегулюйте опори, щоб дистанція між ними і шліфувальними дисками була якомога меншою. Ця відстань має дорівнювати 2 мм або бути менша. Оскільки діаметр шліфувального диска зменшується під час використання, за допомогою регулювання підтримуйте максимальну відстань від опор.
- У разі потреби відрегулюйте іскрогасники, щоб дистанція між іскрогасниками і шліфувальними дисками була якомога менша. Ця відстань має дорівнювати 2 мм або бути менша. Оскільки діаметр шліфувального диску зменшується під час використання, підтримуйте максимальну відстань до іскрогаснику, регулюючи його.
- Коли встановити відстань у 2 мм між іскрогасником або опорою та диском стає неможливим через зношення диска, замініть його.
- Якщо іскрогасник або опора зношені або пошкоджені, вони підлягають заміні на ідентичні у авторизованому сервісному центрі.
- При установленні нового шліфувального диска, завжди перевіряйте, щоб зазначена максимальна частота обертання відповідала або перевершувала, вказану на верстаті. Переконайтеся, щоб діаметр диска і розмір осі відповідали зазначеним у специфікації. Також перевірте новий диск на наявність пошкоджень, таких як дефекти або тріщини.

ВКАЗІВКИ З ТЕХНІКИ БЕЗПЕКИ ПІД ЧАС РОБОТИ ЗІ ШЛІФУВАЛЬНИМ ДИСКОМ

⚠ ПОПЕРЕДЖЕННЯ

Щоб зменшити ризик отримання травм, користувач повинен прочитати і дотримуватися інструкції, попереджень і інструкції з експлуатації, перш ніж почати використовувати цей шліфувальний диск. Невиконання цієї вказівки може привести до пошкодження круга та серйозної травми. Збережіть ці інструкції.

- Використання круга, відмінного від рекомендованого у цієї інструкції з експлуатації машини може становити небезпеку для отримання травм. Використовуйте тільки шліфувальні диски, чия



вказана швидкість дорівнює або більше той, що зазначена на верстаті.

- Ніколи не використовуйте занадто товстий круг, щоб зовнішній фланець торкався поверхонь шпинделя. Великі круги будуть торкатися захисного кожуха круга, в той час як більш товсті круги захищають болт від кріплення круга на шпинделі. У будь-якої з цих ситуацій це може призвести до серйозної аварії і серйозних травм.
- Цей диск призначений для шліфування і формування металу. Не намагайтеся різати за допомогою нього.
- Цей шліфувальний диск підходить тільки для сухого шліфування.
- Ніколи не використовуйте пошкоджені шліфувальні диски, які мають відколи, тріщини або інші дефекти.
- Переконайтеся, що абразивний шліфувальний диск встановлений належним чином і добре зафіксований перед використанням.
- Під час встановлення або демонтажу шліфувальних дисків заборонено підключати верстат до джерела живлення.
- Ретельно зберігайте запасний шліфувальний диск.
 - Тримайте диск у оригінальній упаковці, якщо це можливо.
 - Зберігайте диск в сухому місці при кімнатній температурі.
 - Диски можна зберігати у вертикальному положенні на полиці.
 - Уникайте падіння чи пошкодження дисків.

Інформація вказана на етикетці шліфувального диска

Інформація, вказана на етикетці круга ВАЖЛИВА. Прочитайте і обережно перевірте його, щоб переконатися, що ви обираєте правильний тип диска.

1. Виробник, постачальник, імпортер або товарний знак
2. Номінальні розміри шліфувального диска, зокрема, діаметр отвору.
3. Тип абразиву, розмір зерна, клас або твердість, тип зв'язку і використання підтримки.
4. Максимальна робоча швидкість у м за сек.
5. Максимально допустима швидкість обертання 1/хв або об/хв
6. Для декларації відповідності, абразивні вироби повинні мати маркування EN 12413
7. Обмеження використання і попереджувальні знаки безпеки.
8. Ідентифікація простежування товарів, напр. Номер виробу/ партії, дата закінчення терміну дії або серійний номер

Шліфувальний диск потребує заміни у будь-якій ситуації з перелічених нижче.

1. Коли поверхня шліфувального диска зношена нерівномірно, має канавки або ж у цілому не є

гладкою і рівною.

2. Коли диск втрачає дископодібну форму.
3. Коли поверхня диска сильно забруднена матеріалом, який шліфувався.
4. У разі будь-яких ознак пошкодження.
5. Коли працювати з ним стає важко.
6. Коли неможливо за допомогою регулювання встановити опору або іскрогасник на відстань ≤ 2 мм від поверхні диска.
7. Якщо диск виступає з фланця на відстань ≤ 1 см. Див. рекомендації на стор. 147.

ЗАЛИШКОВІ РИЗИКИ

Навіть коли продукт використовується як написано, залишається неможливим повністю усунути деякі залишкові чинники ризику. Наступні небезпеки можуть виникнути і оператор повинен звернути особливу увагу, щоб уникнути наступного:

- Небезпека контакту з незахищеними частинами диска, що обертається.
- Небезпека опіку від контакту з гарячим диском або заготовкою.
- Пошкодження дихальної системи виникнуть, якщо не носити ефективну маску від пилу.
- пошкодження слуху, якщо ефективний захист слуху не одягнутий.

ЗНАЙТЕ СВІЙ ПРОДУКТ.

Див. стор. 141.

1. Прозорий екран x 2
2. Блокування полум'я x 2
3. Захисний щиток диску x 2
4. Шліфувальний диск x 2
5. Опора для заготовки x 2
6. Перемикач включення/вимикання
7. Монтажний отвір x 4
8. Кнопка блокування опори для заготовки x 2

ОБСЛУГОВУВАННЯ

- Не змінюйте пристрій будь-яким способом або не використовуйте приладдя, не схвалені виробником. Ваша та інших безпека може бути порушена.
- Не використовуйте продукт, якщо які-небудь перемикачі, кожухи або інші функції не працюють належним чином. Поверніться в авторизований сервісний центр для професійного ремонту або налаштування.
- Не робіть жодних налаштувань під час роботи пристрою.
- Завжди переконайтеся, що шнур живлення був видалений з мережі джерела живлення перед проведенням регулювань, змащуванням або при виконанні технічного обслуговування на продукті.
- До і після кожного використання, перевірте продукт на предмет пошкоджень або зламанних



деталей. Тримайте продукт в доброму робочому стані, негайно замініть деталі запчастинами, що затверджені виробником.

- Очистіть накопичившийся пил за допомогою щітки або пилососа. Не використовуйте стиснене повітря.
- Для забезпечення безпеки і надійності всі ремонтні роботи, у тому числі зміна щіток, повинні виконуватися в авторизованому сервісному центрі.
- Щоб уникнути небезпеки, у випадку пошкодження шнура живлення його слід замінити в авторизованому сервісному центрі.

⚠ ПОПЕРЕДЖЕННЯ

Для більшої безпеки і надійності, всі ремонтні роботи повинні виконуватися уповноваженим RYOBI сервісним центром.

ТРАНСПОРТУВАННЯ ТА ЗБЕРІГАННЯ

- При зберіганні продукту, від'єднайте шнур живлення.
- Очищайте виріб за допомогою щітки та пилососа.
- Завжди піднімайте та переносьте виріб у відповідності зі вказівками в інструкції.
- Захищайте виріб від механічних пошкоджень або сильної вібрації, наприклад, при транспортуванні в автомобілі.
- Закріплюйте виріб, щоб він не впав.
- Зберігайте виріб у сухому безпечному місці, недоступному для дітей.
- Ми рекомендуємо використовувати для зберігання оригінальне пакування, аби захистити виріб від пилу.

ЗАХИСТ НАВКОЛИШНЬОГО СЕРЕДОВИЩА.



Переробляйте сировину замість утилізації в якості відходів. Машини, обладнання та упаковка повинні бути відсортовані для дружньої для навколишнього середовища утилізації.

СИМВОЛИ НА ПРОДУКТІ



Попередження безпеки



Будь ласка, уважно прочитайте інструкцію перед запуском продукту.



CE відповідність



Євразійський знак відповідності



Український знак відповідності



Носіть захист слуху



Носіть захист для очей



Не для мокрого шліфування або різання.



Не використовуйте шліфувальний круг, якщо він пошкоджений або має відколи, тріщини.



Надягати захисні рукавиці.



Напрямок обертання диска (показаний на етикетці диска)



Напрямок обертання диска (показаний на захисному щитку)



Відходи електротехнічної продукції не слід викидати разом із побутовими відходами. Будь ласка, переробляйте там, де наявне устаткування. Перевірте з вашим місцевим органом влади або продавцем для консультацій з приводу переробки.

СИМВОЛИ В ЦІЄЙ ІНСТРУКЦІЇ З ЕКСПЛУАТАЦІЇ



Підключіть продукт.



Відключіть продукт.



Запасні деталі або принадлежности продаються окремо

Нижчевказані попереджальні слова та символи пояснюють рівень ризику при роботі з цим приладом.

НЕБЕЗПЕКА

Вказує на неминуче небезпечну ситуацію, яка, якщо її не уникнути, може призвести до смерті або серйозних травм.

ПОПЕРЕДЖЕННЯ

Вказує на потенційно небезпечну ситуацію, яка, якщо її не уникнути, може призвести до смерті або серйозних травм.

УВАГА

Вказує на потенційно небезпечну ситуацію, яка, якщо її не уникнути, може призвести до середньої або легкої травми.

УВАГА

(Без Символу попередження про безпеку) Вказує на ситуацію, яка може привести до матеріальних збитків.



Tezgah üstü zımpara makinenizin tasarımında güvenlik, performans ve güvenilirliğe en yüksek öncelik verilmiştir.

KULLANIM AMACI

- Bu tezgah üstü zımpara makinesi metal zımparalayıcı biçimlendirmek için geliştirilmiştir. Ürün metal el aletlerini (örn. keskinler, baltalar, bıçaklar) ve matkap uçlarını bilemek, çapak ve keskin kenarları gidermek için kullanılabilir.
- Ürün uygun aksesuarlarla tel fırçayla metal yüzeylerin temizliğinde ya da kumaş bir diskle cilalama ve parlatmak için kullanılabilir.
- Ürünü asla kesme işlemlerinde kullanmayın.

ELEKTRİKLİ ALET İÇİN GENEL GÜVENLİK TALİMATLARI

⚠ UYARI

Bu aletle birlikte verilen tüm uyarı, talimat ve özellikleri dikkatlice okuyunuz ve resimli açıklamalara bakınız. Aşağıda belirtilen talimatlara uyulmaması, yangın, elektrik çarpması ve/veya ciddi bedensel yaralanmalar gibi kazalar sebep olabilir.

Tüm uyarıları ve talimatları daha sonra başvurmak üzere saklayın. Uyarılardaki "elektrikli alet" terimi şebeke elektrifiyle çalışan (kablolu) ya da pille çalışan (kablesiz) el aletini ifade eder.

ÇALIŞMA ALANI EMNİYETİ

- Çalışma alanını temiz ve iyi aydınlatılmış halde tutun. Dağınık ya da karanlık alanlar kazalara davetiye çıkarır.
- Elektrikli aletleri, yanıcı sıvıların, gazların veya tozların vb. bulunduğu patlayıcı ortamlarda çalıştırmayın. Elektrikli aletler buharı ateşleyebilecek kıvılcım çıkarırlar.
- Elektrikli bir alet çalışırken çocukları ve çevredekileri aletten uzak tutun. Dikkat dağılması kontrolünüzü kaybetmenize neden olabilir.

ELEKTRİKLE İLGİLİ GÜVENLİK

- Elektrikli aletin fişi elektrik prizine uymalıdır. Elektrik fişini asla modifiye etmeyin. Topraklanmış elektrikli aletlerle birlikte adaptör fişleri kullanmayın. Modifiye edilmemiş fişler ve doğru prizler elektrik çarpması riskini azaltır.
- Borular, radyatörler ve buzdolapları gibi topraklanmış yüzeylere temastan kaçının. Vücudunuz topraklanmışsa elektrige çarpılma riskiniz çok yüksektir.
- Elektrikli aletleri yağmura veya ıslak ortamlara maruz bırakmayın. Elektrikli aletin içine giren su elektrik çarpması riskini çoğaltacaktır.
- Elektrik kablolarını kötü kullanmayın. Elektrikli

aleti taşımak, çekmek ya da fişini çekmek için asla elektrik kablolarını kullanmayın. Kabloyu ısıdan, yağdan, keskin kenarlardan ve hareketli parçalardan uzak tutun. Hasarlı ya da dolaşmış kablolar elektrik çarpması riskini yükseltir.

- Elektrikli bir aleti dış mekanda kullanırken mutlaka dış mekanda kullanıma uygun bir uzatma kablosu kullanın. Dış mekana uygun bir uzatma kablosu kullanmak elektrik çarpması riskini azaltır.
- Elektrikli aleti nemli bir yerde kullanmak zorundaysanız, artık akım cihazı (RCD) korumalı bir besleme kullanın. RCD kullanımı elektrik çarpması riskini azaltır.

KİŞİSEL EMNİYET

- Bu cihazı kullanırken daima tetikte olun, ne yaptığınıza dikkat edin ve sağduyunuzu kullanın. Yorgunken, bir ilacın, alkolün veya ilaç tedavisinin etkisi altındayken alet kullanmayın. Elektrikli aletlerle çalışırken bir anlık dikkat eksikliği ciddi kişisel yaralanmalara neden olabilir.
- Kişisel koruyucu donanımlar kullanın. Her zaman koruyucu gözlük kullanın. Uygun koşullarda kullanılan toz maskesi, kaymaz emniyet ayakkabıları, sert şapka veya koruyucu kulaklık kişisel yaralanmaları azaltır.
- İstemsiz çalıştırmalardan kaçının. Güç kaynağı ve/veya pil paketine takmadan, ürünü kaldırmadan ya da taşımadan önce ürünün kapalı konumunda olduğundan emin olun. Parmagınızın açma kapama düğmesindeyken elektrikli aletleri taşımak ya da düşmesi açık elektrikli aletleri çalıştırmak kazaya davetiye çıkarmaktır.
- Elektrikli aleti çalıştırmadan önce ayar anahtarını veya İngiliz anahtarını çıkarın. Elektrikli aletin dönen parçalarının üzerinde unutulmuş bir anahtar veya civata anahtar kişisel yaralanmalara neden olabilir.
- Aşırı derecede uzmanmayın. Her zaman güvenli ve dengede durun. Bu sayede elektrikli aletin beklenmedik durumlarda daha iyi kontrol edilmesi sağlanır.
- Uygun giysiler giyin. Bol giysiler giymeyin ya da takı takmayın. Saçlarınızı ve kıyafetlerinizi hareketli parçalardan uzak tutun. Bol elbiseler, takılar veya uzun saç hareketli parçalara kapırılabılır.
- Toz boşaltma bağlantısı ve toplama araçları için sağlanan cihazlar varsa bunların bağlı olduğundan ve uygun kullanıldığında emin olun. Toz toplama aparatı kullanımı tozla ilgili tehlikeleri azaltabilir.
- Ürünü sık kullanmanın verdiği alışkanlığın dikkatsiz davranmanıza neden olmasına izin vermeyin ve alet güvenliği ilkelerini göz ardı etmeyin. Dikkatsiz bir hareket saniyenin onda biri gibi bir sürede ciddi yaralanmalara yol açabilir.

ELEKTRİKLİ CİHAZ KULLANIMI VE BAKIMI

- Alete güç uygulamayın. Yapacağınız uygulama için doğru ürünü kullanın. Doğru ürün tasarlandığı hızda işi daha iyi ve daha güvenli şekilde yerine getirecektir.



- **Düğmesinden açılıp kapatılamıyorsa elektrikli aleti kullanmayın.** Düğmesiyle kontrol edilemeyen elektrikli aletler tehlikelidir ve onarılması gerekir.
- **Herhangi bir ayar yapmadan ya da aksesuar değiştirmeden önce fişi güç kaynağından ve/veya pil takımını çıkartılabiliyorsa aletten çıkarın.** Bu gibi önleyici emniyet önlemleri ürünün kaza ile çalışma riskini azaltır.
- **Rölanti halindeki elektrikli aletleri çocukların ulaşamayacakları bir yerde muhafaza edin ve elektrikli aleti tanımayan veya kullanım talimatlarını bilmeyen kişilerin kullanımına izin vermeyin.** Elektrikli aletler deneyimsiz kişilerin ellerinde tehlikeli olabilir.
- **Elektrikli aletlerin ve aksesuarların bakımını yapın.** Aletin çalışmasına kötü etki edecek hareketli parçaları yanlış ayarlamalara veya sıkışmalara, kırık parçalara ve diğer olumsuz durumlara karşı kontrol edin. Alet hasar görürse tekrar kullanmadan önce onarımı yapılmış olmalıdır. Kazaların çoğu yetersiz olarak onarılan aletlerden kaynaklanmaktadır.
- **Kesme aletlerini keskin ve temiz tutun.** Keskin kenarlı, bakımı düzgün yapılmış kesme aletlerinin tutukluk yapma ihtimali daha düşüktür ve kontrolleri daha kolaydır.
- **Çalışma koşulları ve yapılacak işi göz önünde bulundurarak ürün, aksesuarlar ve alet parçaları vb.yi bu talimatlara uyarak kullanın.** Elektrikli aletin tasarladığından farklı bir işte kullanılması tehlikeli durumlara neden olabilir.
- **Tutamakların ve kavrama yüzeylerinin kuru, temiz, yağ ve gresten arınmış olmasını sağlayın.** Kaygan tutamaklar ve kavrama yüzeyleri güvenli kullanıma ve aletin beklenmedik durumlarda kontrol edilmesine imkan vermez.

SERVİS

- **Elektrikli aletin bakımını/onarımını sadece yetkili onarım personeline yaptırın, sadece orijinal yedek parça kullanılmasını sağlayın.** Böylece elektrikli aletinizin güvenliği korunmuş olur.

TEZGAH ÜSTÜ ZIMPARA MAKİNESİ GÜVENLİK UYARILARI

- Her zaman güvenlik gözlükleri ve bir toz maskesi takın.
- Kulak koruyucu kullanın. Gürültüye maruz kalmak işleme kaybına neden olabilir.
- Bu ürün ıslak taşlama için uygun değildir.
- Hasar görmüş bir aksesuarı kullanmayın. Her bir kullanımdan önce taşlama çarkları gibi aksesuarlarda çentik ve çatlak olup olmadığını kontrol edin. Aksesuarın iyi durumda olmasını kontrol etiketten ve aksesuarı taktıktan sonra, hareketli aksesuardan uzak durun ve bir dakika boyunca aletin azami hızına erişmesini bekleyin. Eğer aksesuar hasar görmüş ise, bu test esnasında

kırılacaktır.

- **Aksesuarın nominal hızının, alet üzerinde belirtilen azami hızla eşit veya üzerinde olması gerekmektedir.** Nominal hızlarından daha yüksek bir hızda çalışan aksesuarlar kırışabilir veya fırlatabilir.
- **Asla taşlama çarkının yanıyla taşlama yapmayın.** Yanıyla taşlama yapmak tekerin kırılmasına ve fırlamasına neden olabilir.
- Fiş, tüm yerel kurallara ve yasalara uygun doğru olarak takılmış ve topraklanmış uygun bir prize takılmalıdır. Emin değilseniz, prizi yetkili bir elektrikçiye kontrol ettirin.
- Çalıştırmadan önce ürünü tezgah, zımpara ayağı ya da sert bir şasi üzerine sağlamca tespit edin. Tespit edilmemiş bir ürün dengesizdir ve çalışma sırasında hareket edebilir. Bu durum hasar veya yaralanmaya yol açabilir.
- Stroboskopik etkileri ve tehlikeleri önlemek için yeterli miktarda genel ve bölgesel aydınlatma oluşturun.
- Dönen millerin temas riskini sınırlandırmak için ürünü her zaman her iki mile de taşlama tekerleri takılmış olarak kullanın.
- Daima aksesuarlar için gerekli olabilecek muhafazaları, iş destekleri, şeffaf perdeler ve kıvılcım yakalayıcılar kullanın.
- İş desteğini daima iş desteği ile taşlama çarkının tanjanti 85°den fazla olacak şekilde ayarlayın.
- Çalıştırmadan önce, ürünün düzgün işlemlerini etkileyebilecek koşullar olup olmadığını görmek için bileşenlerini ve aksesuarlarını kontrol edin. Zımpara taşının kilit somunlarını, emniyet civatalarını ve tüm kelepçe ve korkuluklarını sıkıştırın.
- Her başlangıçtan önce zımpara taşını hasar açısından kontrol edin. Hasarlı veya biçimi bozulmuş zımpara taşları kullanmayın. Hasarlı zımpara taşlarını talimatlara uygun olarak değiştirin.
- Her başlangıçtan önce, zımpara taşının serbestçe döndüğünden emin olun. Ürün prizden çıkarılmış, anahtar OFF konumuna getirilmişken, zımpara taşını elinizle dikkatlice döndürün. Zımpara taşı tezgah üstü zımparanın hiçbir bileşenine temas etmemeli ve düzgün çalışmasını etkileyecek hiçbir bükülme ya da benzeri durum olmamalıdır.
- Her başlangıç sırasında, ürünün bir tarafında durup anahtarı ON konumuna getirin. Zımpara taşında fark edilmemiş arıza veya çatlakların görülebilmesi için zımparayı tam hızla bir dakika çalıştırın. Ürün tam hızına erişinceye kadar zımpara taşını iş parçasına değdirmeyin.
- Ellerinizin ve vücudunuzu zımpara taşlarına yaklaştırmayın. Dönen taşla temas yaralanmaya neden olabilir.
- Her zaman muhafazaları ve şeffaf perdeleri kullanın. Muhafazaların yerinde ve görev yapar durumda olmasını sağlayın. Ürünü korkuluksuz ya da hasarlı korkuluklarla çalıştırmak yaralanmaya neden olabilir.



- Yanıklardan kaçının. Zımpara işlemi parçaların ve zımpara taşının ısınmasına neden olabilir. Zımpara taşına ve sıcak olabilecek aksama dokunmayın.
- Ürünü küçük parçaları ya da gerektiği gibi tutulamayacak parçaları işlemek için kullanmayın. Parça fırlatılıp yaralanmaya neden olabilir.
- Zımpara taşının yanı sıra zımpara yapmayın. Zımpara taşı parçalanır. Sadece taşın yüzüyle zımparalayın.
- Aleti asla çalışır durumdayken gözetimsiz bırakmayın. Aleti kapatın. Dikkat, taş alet durduktan sonra da biraz döner. Tamamen durmadan aleti yere bırakmayın.
- Elinizi zımpara taşlarının altına ya da arkasına uzatmayın.
- Uzun çalışma sürelerinde tıkaç ya da kulaklık gibi koruyucu donanım kullanın.
- Herhangi bir ayarlama, tamir veya bakım gerçekleştirilmeden önce fişi prizden çekin. Ürünüze bakım yaptığınız zaman güç kablosu prizden çıkarılmış olmalıdır.
- İş desteklerini ve kıvılcım yakalayıcıları taşlama çarklarının aşınmasını telafi etmek için sık sık düzeltin.
- İş destekleriyle taşlama çarkları arasındaki mesafeyi mümkün olduğunca küçük tutmak için gerektiğinde iş desteklerini ayarlayın. Bu aralığın 2 mm ya da daha az olması gerekir. Taşlama çarklarının çapı kullandıkça azaldığından maksimum iş desteği mesafesini iş desteğini ayarlayarak koruyun.
- Kıvılcım önleyicilerle zımpara taşlarının arasındaki aralığın olabildiğince az olması için gerektiğinde kıvılcım önleyicileri ayarlayın. Bu aralığın 2 mm ya da daha az olması gerekir. Zımpara taşlarının çapı kullandıkça azaldığından, azami kıvılcım önleyici aralığını ayarlama yoluyla sabit tutun.
- Aşınmış çarkı kıvılcım yakalayıcı/iş desteği ve çark arasındaki 2 mm mesafe artık korunamaz olduğunda değiştirin.
- Kıvılcım yakalayıcı veya iş desteği aşınır ya da zarar görürse, yetkili servis merkezinden aynı yedek parçayla değiştirin.
- Yeni bir zımpara taşı takarken, belirtilen azami devir/dak. hızının ürün üzerindeki hıza eşit ya da daha yüksek olmasına dikkat edin. Zımpara taşı çapının ve mil boyunun teknik özelliklerde belirtilenlere uygunluğundan emin olun. Yeni zımpara taşını hata veya çatlak açısından da kontrol edin.
- Makine talimat el kitabında tavsiye edilen dışında herhangi bir zımpara taşı kullanmak kişisel yaralanma riski taşıyabilir. Sadece belirlenen hızı makinede belirlenen hıza eşit ya da daha yüksek zımpara taşları kullanın.
- Dış flanşların mile sabitlenmesini engelleyebilecek kalınlıkta diskler kullanmayın. Alete daha büyük diskler takarsanız disk korumalarına çarpar, daha kalın diskler ise civatanın kesme diskini sabitlemesine engel olur. Bu her iki durum da ciddi kazalara ve ciddi kişisel yaralanmalara neden olabilirler.
- Bu taş metal zımparalamak ve biçimlendirmek içindir. Kesme işlemi yapmayı denemeyin.
- Bu zımpara taşı sadece kuru zımparalamaya uygundur.
- Hasarlı, çentikli, çatlak ya da benzer hasarlı zımpara taşlarını kullanmayın.
- Kullanmadan önce, aşındırıcı zımpara taşının doğru takılıp sıklığından emin olun.
- Zımpara taşı takılır ya da değiştirilirken makine kesinlikle güç kaynağına bağlı olmamalıdır.
- Yedek zımpara taşınızı dikkatle saklayın.
 - Mümkünse, taşı orijinal ambalajında muhafaza edin.
 - Taşı oda ısısında, kuru bir mekanda saklayın.
 - Taşlar bir rafta, dikey olarak depolanabilir.
 - Taşların düşmesine ya da darbe görmesine izin vermeyin.

Zımpara taşı etiketinde bulunan bilgiler

Taş etiketinin üzerindeki bilgiler önemlidir. Doğru taş türünü seçtiğinizden emin olmak için etiketi dikkatle okuyup kontrol edin.

1. İmalatçı, tedarikçi, ithalatçı veya ticari marka
2. Zımpara taşının nominal boyutları, özellikle delik çapı.
3. Aşındırıcı tipi, tanecik boyutu, kalite ya da sertlik, yapıştırıcı tipi ve takviye kullanımı.
4. Saniyede metre cinsinden azami çalışma hızı.
5. 1/dk'da azami izin verilebilir dönüş hızı
6. Uygunluk beyanı açısından, aşındırıcı ürünler EN 12413 ile işaretlenir.
7. kullanım kısıtlaması ve güvenlik ikaz işaretleri
8. İzlenebilirlik kodu, örneğin, Bir üretim/parti numarası, seri numarası

Çark aşağıdaki koşullardan biri nedeniyle değiştirilebilir.

1. Taşlama çarkının yüzü eşit olmayan bir şekilde aşınır, oyulursa veya artık pürüzsüz ve düz değilse.
2. Taşlama çarkının çapı artık yuvarlak değilse.
3. Çarkın yüzeyi iş parçası materyaliyle dolu ve körelmiş olursa.
4. Herhangi bir hasar işareti varsa.
5. Çalışmak zor hale geldiyse.
6. İş desteği/kıvılcım önleyici çark yüzeyinden ≤ 2 mm mesafeye ayarlanamazsa.
7. ≤ 1 cm disk flanştan dışarı çıkmışsa. Bkz. 147. sayfadaki ipuçları.

ZIMPARA TAŞI GÜVENLİK TALİMATLARI

⚠ UYARI

Kullanıcı yaralanma riskini azaltmak için bu zımpara aletini kullanmadan önce talimatlar, uyarılar ve operatör el kitabını okumalı ve bunlara uygun davranmalıdır. Bu uyarıları göz ardı etmek çarkın kırılmasına ve ciddi yaralanmalara yol açabilir. Bu talimatı saklayın.



ARDIL RİSKLER

Ürün belirtildiği şekilde kullanıldığı zaman bile belirli artık risk faktörlerinin tamamen ortadan kaldırılması mümkün değildir. Kullanım sırasında aşağıdaki tehlikeler ortaya çıkabilir ve operatör bunlardan kaçınmak için özellikle dikkat etmelidir:

- Dönen taşın korumasız bölümleriyle temas tehlikesi.
- Sıcak taş veya iş parçasıyla temas sonucu yanık tehlikesi.
- Etkili bir toz maskesi kullanılmazsa solunum sistemi zarar görebilir.
- Uygun tipte kulak koruyucusu kullanılmadığında işitme duyusunun zarar görmesi.

ÜRÜNÜZÜ TANIYIN

Sayfa 141'ya bakın.

1. Şeffaf perde x 2
2. Kıvılcım önleyici x 2
3. Çark koruma x 2
4. Temizleme taşı x 2
5. İş dayanağı x 2
6. Açma/kapama anahtarı
7. Montaj deliği x 4
8. İş dayanağı kilit düğmesi x 2

BAKIM

- Ürünü herhangi bir şekilde değiştirmeyin veya üretici tarafından onaylanmamış aksesuarlar kullanmayın. Sizin ve diğer kişilerin güvenliği tehlikeye girebilir.
- Herhangi bir şalter, koruma veya başka bir fonksiyon amaçlandığı şekilde çalışmıyorsa ürünü kullanmayın. Profesyonel onarım veya ayar işlemi için yetkili bir servis merkezine gönderin.
- Ürün çalışırken herhangi bir ayar yapmayın.
- Ayar ve yağlama çalışmalarından önce veya ürün üzerinde herhangi bir bakım çalışması yaparken her zaman elektrik fişinin şebeke güç kaynağından ayrıldığından emin olun.
- Her kullanımdan önce ve sonra ürünü hasara veya kırık parçalara karşı kontrol edin. Hasarlı parçaları hemen üretici tarafından onaylanan yedek parçalarla değiştirerek ürünü en iyi çalışma durumunda tutun.
- Bir fırça veya elektrikli süpürge kullanarak biriken tozu temizleyin. Basınçlı hava kullanmayın.
- Güvenli ve güvenilir olmasını sağlamak için fırçaların değiştirilmesi de dahil tüm onarım çalışmaları yetkili bir servis merkezi tarafından gerçekleştirilmelidir.
- Besleme kablosu zarar görmüş ise, kaza risklerini önlemek için Yetkili bir Servis Merkezinde yenisiyle değiştiriniz.

⚠ UYARI

Daha fazla güvenlik için, tüm onarımlar RYOBI Yetkili Servis Merkezinde gerçekleştirilmelidir.

TAŞIMA VE SAKLAMA

- Ürünü depolarken güç kablosunu ayırın.
- Ürünü bir fırça ve elektrik süpürgesi kullanarak temizleyin.
- Ürünü daima bu kullanım kılavuzundaki talimatlara uygun olarak taşıyın ve kaldırın.
- Araçlarda taşınma sırasında ortaya çıkabilecek her türlü ağır darbeden ve güçlü titreşimlerden ürünü koruyun.
- Kaymasını veya devrilmesini önlemek için ürünü sabitleyin.
- Ürünü ve aksesuarlarını çocukların erişemeyeceği kuru ve güvenli bir yerde saklayın.
- Ürünü tozdan korumak için depolarken orijinal paketini kullanmanızı öneriyoruz.

ÇEVRENİN KORUNMASI



Ham maddeleri çöp olarak atmak yerine geri dönüştürün. Çevreyi korumak için, alet, aksesuarlar ve ambalajlar tasnif edilmelidir.

ÜRÜN ÜZERİNDEKİ SEMBOLLER



Güvenlik ikazı



Ürünü çalıştırmadan önce, lütfen aşağıdaki talimatları dikkatlice okuyun.



CE uygunluğu



EurAsian Uyumluluk işareti



Ukrayna uygunluk işareti



Koruyucu kulaklık kullanın



Koruyucu gözlük kullanın



Islak taşlama veya kesim işlemlerine uygun değildir



Kırık, çatlak ya da arızalı taşlama çarkını kullanmayın



Emniyet eldivenleri giyin



Çark dönüş yönü (çark etiketinde gösterilir)



Çark dönüş yönü (çark muhafazasında gösterilir)



Atık elektrikli ürünler evsel atıklarla birlikte atılmamalıdır. Tesis bulunuyorsa lütfen geri dönüşüme verin. Geri dönüşümle ilgili tavsiye için Yerel Makamlarla veya bayi ile irtibat kurun.

KİTAPÇIKTAKİ SEMBOLLER



Makineyi prize takın.



Aletin fişini prizden çekin.



Parçalar ya da aksesuarlar ayrı olarak satılır.

Aşağıdaki işaret sözcükleri ve anlamları, bu ürünle ilişkili risk seviyelerini açıklamaya yöneliktir:

⚠️ TEHLİKE

Önlenmemesi durumunda ölüm veya ciddi yaralanma ile sonuçlanacak, tehdit edici tehlikeli bir durumu gösterir.

⚠️ UYARI

Önlenmemesi durumunda ölüm veya ciddi yaralanma ile sonuçlanabilecek potansiyel olarak tehlikeli bir durumu gösterir.

⚠️ DİKKAT

Önlenmemesi durumunda önemsiz veya orta derece yaralanma ile sonuçlanabilecek potansiyel olarak tehlikeli



Κατά το σχεδιασμό του τριβείου πάγκου δόθηκε ιδιαίτερη προτεραιότητα στην ασφάλεια, την απόδοση και την αξιοπιστία του.

ΠΡΟΟΡΙΖΟΜΕΝΗ ΧΡΗΣΗ

- Το παρόν τριβείο πάγκου προορίζεται για την τριβή και τη διαμόρφωση μετάλλων. Το μηχάνημα μπορεί να χρησιμοποιηθεί για το ακόνισμα μεταλλικών εργαλείων χειρός (π.χ. καλέμια, τσεκούρια, μαχαίρια) κεφαλών τρυπανίων καθώς και για την αφαίρεση γρεζιών και αιχμηρών ακρών.
- Με τα κατάλληλα εξαρτήματα, το μηχάνημα μπορεί να χρησιμοποιηθεί για τον καθαρισμό των μεταλλικών επιφανειών με μεταλλική βούρτσα ή για λείανση και στίλβωση χρησιμοποιώντας έναν υφασμάτινο τροχό.
- Ποτέ μην χρησιμοποιείτε το μηχάνημα για εργασίες κοπής.

ΓΕΝΙΚΕΣ ΣΥΣΤΑΣΕΙΣ ΑΣΦΑΛΕΙΑΣ ΧΡΗΣΗΣ ΗΛΕΚΤΡΟΚΙΝΗΤΩΝ ΕΡΓΑΛΕΙΩΝ

ΠΡΟΕΙΔΟΠΟΙΗΣΗ

Διαβάστε προσεκτικά όλες τις προειδοποιήσεις, οδηγίες και προδιαγραφές που παρέχονται με το εργαλείο και ανατρέξτε στις εικόνες. Η μη τήρηση των ακόλουθων οδηγιών μπορεί να επιφέρει ατυχήματα όπως πυρκαγιές, ηλεκτροπληξίες ή και σοβαρό σωματικό τραυματισμό.

Φυλάσσετε όλες τις προειδοποιήσεις και οδηγίες για μελλοντική χρήση. Ο όρος «μηχάνημα» στις προειδοποιήσεις αναφέρεται αναφέρεται στο χειροκίνητο (ενσύρματο) μηχάνημα ή σε μηχάνημα (ασύρματο) που λειτουργεί με μπαταρία.

ΑΣΦΑΛΕΙΑ ΣΤΟΝ ΧΩΡΟ ΕΡΓΑΣΙΑΣ

- Διατηρείτε τον χώρο εργασίας καθαρό και καλά φωτισμένο. Χώροι με υπερβολικά αντικείμενα ή μη φωτισμένοι προκαλούν ατυχήματα.
- Μην χρησιμοποιείτε ηλεκτροκίνητα προϊόντα σε εκρηκτικές ατμόσφαιρες, όπως στην παρουσία εύφλεκτων υγρών, αερίων ή σκόνης. Τα ηλεκτροκίνητα εργαλεία δημιουργούν σπινθήρες που μπορεί να προκαλέσουν ανάφλεξη στη σκόνη ή τις αναθυμιάσεις.
- Διατηρείτε τα παιδιά και τους παριστάμενους μακριά όσο χρησιμοποιείτε μηχανοκίνητα εργαλεία. Οι αποσπάσεις μπορούν να προκαλέσουν απώλεια ελέγχου.

ΗΛΕΚΤΡΙΚΗ ΑΣΦΑΛΕΙΑ

- Τα βύσματα των μηχανοκίνητων εργαλείων πρέπει να ταυρίζουν με την πρίζα. Μην τροποποιείτε ποτέ το βύσμα με οποιονδήποτε τρόπο. Μην χρησιμοποιείτε βύσματα προσαρμογέα με γειωμένα μηχανοκίνητα εργαλεία. Μη τροποποιημένα

βύσματα και αντίστοιχες πρίζες μειώνουν τον κίνδυνο ηλεκτροπληξίας.

- Αποφύγετε την επαφή με γειωμένες επιφάνειες όπως σωλήνες, καλοριφέρ, εστίες και ψυγεία. Αν το σώμα σας γειωθεί, υπάρχει αυξημένος κίνδυνος ηλεκτροπληξίας.
- Μην εκθέτετε τα ηλεκτροκίνητα εργαλεία σε βροχή ή συνθήκες υγρασίας. Η είσοδος νερού σε ηλεκτροκίνητα εργαλεία αυξάνει τον κίνδυνο ηλεκτροπληξίας.
- Προσέχετε στη χρήση του καλωδίου. Μην χρησιμοποιείτε ποτέ το καλώδιο για να μεταφέρετε, τραβάτε ή αποσυνδέετε το μηχανοκίνητο εργαλείο. Διατηρείτε το καλώδιο μακριά από θερμότητα, λάδι, αιχμηρές γωνίες ή κινούμενα εξαρτήματα. Φθαρμένα ή μπερδεμένα καλώδια αυξάνουν τον κίνδυνο ηλεκτροπληξίας.
- Όταν χρησιμοποιείτε μηχανοκίνητα εργαλεία σε εξωτερικούς χώρους, χρησιμοποιείτε και καλώδιο προέκτασης κατάλληλο για εξωτερική χρήση. Η χρήση κατάλληλου καλωδίου για εξωτερικούς χώρους μειώνει τον κίνδυνο ηλεκτροπληξίας.
- Όταν χρησιμοποιείτε μηχανοκίνητα εργαλεία σε νωπή τοποθεσία, χρησιμοποιείτε διάταξη προστασίας ρεύματος διαρροής (RCD). Η χρήση RCD μειώνει τον κίνδυνο ηλεκτροπληξίας.

ΠΡΟΣΩΠΙΚΗ ΑΣΦΑΛΕΙΑ

- Παραμείνετε σε εγρήγορση, προσέχετε τι κάνετε και χρησιμοποιείτε την κοινή λογική κατά τη χρήση του εργαλείου. Μην χρησιμοποιείτε το προϊόν αν είστε κουρασμένοι ή υπό την επήρεια ναρκωτικών, αλκοόλ ή φαρμάκων. Μια στιγμή απροσεξίας κατά τον χειρισμό ηλεκτροκίνητων εργαλείων, αρκεί για να προκληθεί σοβαρός τραυματισμός.
- Να φοράτε μέσα ατομικής προστασίας. Φοράτε πάντα προστατευτικά ματιών. Ο προστατευτικός εξοπλισμός, όπως γυαλιά κατά της σκόνης, αντιολισθητικά παπούτσια, σκληρό καπέλο και προστατευτικά αυτιών, συμβάλουν στην πρόληψη τραυματισμών, εφόσον χρησιμοποιούνται σωστά.
- Αποφύγετε τις τυχαίες εκκινήσεις. Βεβαιωθείτε ότι ο διακόπτης βρίσκεται στην απενεργοποιημένη θέση πριν συνδεθείτε με την παροχή ρεύματος ή/και την μπαταρία, όταν σηκώνετε ή μεταφέρετε το προϊόν. Η μεταφορά προϊόντων με μπαταρία με το δάχτυλό σας στο διακόπτη ή ενεργοποίηση προϊόντων μπαταρίας με ενεργοποιημένο το διακόπτη μπορεί να προκαλέσει ατύχημα.
- Αφαιρέστε τυχόν κλειδιά πριν ενεργοποιήσετε το μηχανοκίνητο εργαλείο. Ένα κλειδί αφημένο σε περιστρεφόμενο μέρος του μηχανοκίνητου εργαλείου μπορεί να προκαλέσει τραυματισμούς.
- Μην τεντώνεστε. Διατηρείτε σταθερό πάτημα και ισορροπία συνεχώς. Έτσι θα έχετε καλύτερο έλεγχο του μηχανοκίνητου εργαλείου σε περίπτωση απρόσμενων συνθηκών.
- Ντυθείτε κατάλληλα. Μην φοράτε χαλαρά ρούχα ή



κοσμήματα. Κρατήστε τα μαλλιά και τα χέρια σας μακριά από κινούμενα μέρη. Τα χαλαρά ρούχα, κοσμήματα ή μακριά μαλλιά μπορούν να πιαστούν στα κινούμενα εξαρτήματα.

- Εάν παρέχονται συσκευές για τη διασύνδεση εξαρτημάτων εξαγωγής και συλλογής σκόνης, βεβαιωθείτε ότι είναι συνδεδεμένες και ότι χρησιμοποιούνται σωστά. Η χρήση εξαρτημάτων συλλογής σκόνης μπορεί να αποτρέψει τυχόν επικίνδυνες καταστάσεις που σχετίζονται με τη σκόνη.
- Μην παραλείπετε την εφαρμογή των κανόνων ασφάλειας της συσκευής όσο κι έχετε εξοικειωθεί με την χρήση της. Οποιαδήποτε απροσεξία μπορεί να προκαλέσει σοβαρό τραυματισμό εντός δευτερολέπτων.

ΧΡΗΣΗ ΚΑΙ ΦΡΟΝΤΙΔΑ ΕΡΓΑΛΕΙΟΥ

- Μην πιέζετε υπερβολικά το εργαλείο. Χρησιμοποιείτε το σωστό προϊόν για την εφαρμογή σας. Το σωστό προϊόν ολοκληρώνει την εργασία σας καλύτερα και με περισσότερη ασφάλεια, με την ταχύτητα για την οποία έχει σχεδιαστεί.
- Μην χρησιμοποιείτε το μηχανοκίνητο εργαλείο αν ο διακόπτης δεν το ενεργοποιεί και απενεργοποιεί. Μηχανοκίνητα εργαλεία που δεν ελέγχονται με τον διακόπτη τους, είναι επικίνδυνα και θα πρέπει να επισκευάζονται.
- Πριν από τη διεξαγωγή οποιωνδήποτε ρυθμίσεων ή την αντικατάσταση εξαρτημάτων, αποσυνδέετε το φως από την παροχή ρεύματος και/ή τις μπαταρίες από το ηλεκτρικό εργαλείο, εφόσον αυτές αφαιρούνται. Αυτού του είδους τα προληπτικά μέτρα ασφαλείας μειώνουν τον κίνδυνο τυχαίας έναρξης του προϊόντος.
- Φυλάσσετε τα μηχανοκίνητα εργαλεία που δεν χρησιμοποιείτε μακριά από παιδιά και μην αφήνετε άτομα που δεν είναι εξοικειωμένα μαζί τους ή με αυτές τις οδηγίες να τα χρησιμοποιούν. Τα μηχανοκίνητα εργαλεία είναι επικίνδυνα όταν χρησιμοποιούνται από μη εκπαιδευμένους χρήστες.
- Συντηρείτε τα ηλεκτρικά εργαλεία και εξαρτήματα. Ελέγχετε για προβλήματα στην ευθυγράμμιση ή πιάσιμο των κινούμενων εξαρτημάτων, σπάσιμο εξαρτημάτων και άλλες καταστάσεις που μπορεί να επηρεάζουν τη λειτουργία του εργαλείου. Σε περίπτωση ζημιάς, επισκευάστε το προϊόν πριν τη χρήση. Πολλά ατυχήματα προκαλούνται εξαιτίας κακής συντήρησης στα εργαλεία.
- Διατηρείτε τα εργαλεία κοπής αιχμηρά και καθαρά. Τα σωστά συντηρημένα εργαλεία με ακονισμένες άκρες είναι λιγότερο πιθανό να στομώσουν και ελέγχονται ευκολότερα.
- Χρησιμοποιείτε το προϊόν, τα εξαρτήματα και τις μύτες του εργαλείου, κ.λπ., σύμφωνα με τις παρούσες οδηγίες, συνυπολογίζοντας τις συνθήκες εργασίας και την εργασία που πρέπει να εκτελεστεί. Η χρήση του μηχανοκίνητου εργαλείου για εργασίες διαφορετικές από τις προοριζόμενες μπορεί

να προκαλέσει κινδύνους.

- Διατηρείτε τις λαβές και τις επιφάνειες συγκράτησης στεγνές και καθαρές χωρίς λάδια και γράσα. Τυχόν γλιστερές λαβές και επιφάνειες συγκράτησης δεν επιτρέπουν τον ασφαλή χειρισμό και τον έλεγχο του εργαλείου σε μη αναμενόμενες καταστάσεις.

ΣΥΝΤΗΡΗΣΗ

- Επισκευάστε το μηχανοκίνητο εργαλείο σας από ειδικευμένους τεχνικούς, χρησιμοποιώντας μόνο πανομοιότυπα ανταλλακτικά. Έτσι θα διασφαλιστεί η διατήρηση της ασφάλειας του εργαλείου.

ΠΡΟΕΙΔΟΠΟΙΗΣΕΙΣ ΑΣΦΑΛΕΙΑΣ ΤΡΙΒΕΙΟΥ ΠΑΓΚΟΥ

- Φοράτε πάντα προστατευτικά γυαλιά και μάσκα κατά της σκόνης.
- Φοράτε ωτοασπίδες. Η επίδραση θορύβου μπορεί να προκαλέσει απώλεια ακοής.
- Το προϊόν αυτό δεν είναι κατάλληλο για υγρή λείανση.
- Μην χρησιμοποιείτε χαλασμένο αξεσουάρ. Πριν από κάθε χρήση, επιθεωρείτε τα βοηθητικά εξαρτήματα, όπως οι αποξεστικοί τροχοί, για ραγίσματα και τρίμματα. Αφού βεβαιωθείτε ότι το αξεσουάρ είναι σε καλή κατάσταση και αφού το τοποθετήσετε, κρατηθείτε σε απόσταση από το κινητό αξεσουάρ και αφήστε το εργαλείο να φθάσει στη μέγιστη ταχύτητά του για ένα λεπτό. Αν είναι χαλασμένο το αξεσουάρ, θα σπάσει κατά την δοκιμή.
- Η ονομαστική ταχύτητα του αξεσουάρ πρέπει να είναι ίση ή μεγαλύτερη από την μέγιστη ταχύτητα που αναγράφεται στο εργαλείο. Τα αξεσουάρ που λειτουργούν με ταχύτητα μεγαλύτερη από την ονομαστική ταχύτητα μπορεί να σπάσουν και να εκπιναχτούν.
- Ποτέ μην λειάνετε με τις πλευρές του τροχού λείανσης. Η λείανση στο πλάι μπορεί να προκαλέσει θραύση του τροχού, απόσπαση και εκτόξευσή του.
- Το βύσμα πρέπει να συνδεθεί σε αντίστοιχη πρίζα που είναι σωστά εγκατεστημένη και γειωμένη, σύμφωνα με τους τοπικούς κώδικες και κανόνες. Εάν δεν είστε βέβαιοι, ζητήστε από έναν πιστοποιημένο ηλεκτρολόγο να εξετάσει το δοχείο.
- Στερεώστε το μηχανήμα στον πάγκο εργασίας, τη βάση τριβείου ή άλλο στερεό πλαίσιο πριν από την χρήση. Εάν το μηχανήμα δεν είναι στερεωμένο καλά, είναι ασταθές και μπορεί να μετακινηθεί κατά τη λειτουργία του. Αυτό μπορεί να προκαλέσει ζημιά ή τραυματισμό.
- Παρέχετε επαρκή γενικό ή τοπικό φωτισμό για να αποφεύγονται τα στροβοσκοπικά αποτελέσματα και οι κίνδυνοι.
- Χρησιμοποιείτε πάντα το προϊόν με τροχούς λείανσης τοποθετημένους και στους δύο άξονες, για να περιορίσετε τον κίνδυνο επαφής με τους περιστρεφόμενους άξονες.





- Χρησιμοποιείτε πάντοτε τα προφυλακτικά, τα στηρίγματα εργασίας, τα διαφανή προστατευτικά και τους προφυλακτήρες σπινθήρων, όπως απαιτείται για το ένα ή περισσότερα εξαρτήματα.
- Ρυθμίζετε πάντα το στήριγμα εργασίας έτσι ώστε η γωνία μεταξύ του στηρίγματος εργασίας και της εφαπτομένης του τροχού λείανσης να είναι μεγαλύτερη από 85°.
- Πριν από τη λειτουργία, επιθεωρείστε τα τμήματα και τυχόν άλλα εξαρτήματα του μηχανήματος για να διασφαλιστεί ότι δεν υπάρχουν συνθήκες που μπορεί να επηρεάσουν τη σωστή λειτουργία. Βιδώστε καλά τα παξιμάδια κλειδώματος του τροχού λείανσης, τα ασφαλιστικά μπουλόνια και όλους τους σφιγκτήρες και τους προφυλακτήρες.
- Πριν από κάθε χρήση του μηχανήματος, ελέγχετε τον τροχό λείανσης για φθορές. Μην χρησιμοποιείτε φθαρμένους ή παραμορφωμένους τροχούς. Αντικαταστήστε τυχόν χαλασμένους τροχούς λείανσης σύμφωνα με τις οδηγίες.
- Πριν από κάθε χρήση του μηχανήματος, ελέγξτε εάν ο τροχός στρέφεται ελεύθερα. Με τον διακόπτη λειτουργίας στη θέση OFF και το μηχανήμα εκτός παροχής ρεύματος, στρέψτε τον τροχό προσεκτικά με το χέρι. Ο τροχός δεν θα πρέπει να ακουμπά κανένα τμήμα του τριβείου πάγκου και δεν θα πρέπει να υπάρχει καμιά εμπλοκή που να επηρεάζει τη σωστή λειτουργία.
- Σε κάθε εκκίνηση του μηχανήματος, σταθείτε στο πλάι του και ανοίξτε το διακόπτη στο ON. Αφήστε το τριβείο να λειτουργήσει στη μέγιστη ταχύτητα για ένα λεπτό έτσι ώστε να εμφανιστούν τυχόν μη εντοπισμένα ελαττώματα ή ρωγμές του τροχού. Μην ακουμπάτε τον τροχό στο τεμάχιο εργασίας μέχρι το μηχανήμα να έχει αποκτήσει τη μέγιστη του ταχύτητα.
- Κρατήστε το χέρι και τα μέλη του σώματός σας μακριά από τους τροχούς λείανσης. Τυχόν επαφή με τον περιστρεφόμενο τροχό μπορεί να προκαλέσει τραυματισμό.
- Χρησιμοποιείτε πάντα προφυλακτικά και διαφανή προστατευτικά. Κρατήστε τις ασφάλειες στη θέση τους και σε λειτουργία. Η λειτουργία του μηχανήματος χωρίς προφυλακτήρες ή με φθαρμένους προφυλακτήρες μπορεί να επιφέρει τραυματισμό.
- Αποφυγή εγκαυμάτων. Η διαδικασία λείανσης μπορεί να επιφέρει αύξηση της θερμοκρασίας σε τυχόν αντικείμενα και ο τροχός λείανσης μπορεί να γίνει καυτός. Μην αγγίζετε τον τροχό λείανσης ή τυχόν αντικείμενα ενώ είναι καυτά.
- Μη χρησιμοποιείτε το μηχανήμα για κατεργασία μικρών τεμαχίων που δεν μπορούν να κρατηθούν εύκολα. Μπορεί να αναγκαστείτε να πετάξετε κάποιο αντικείμενο και προκληθεί τραυματισμός.
- Ποτέ μην εργάζεστε με την πλαινή πλευρά του τροχού. Ο τροχός θα σπάσει. Να εργάζεστε μόνο με την μπροστινή πλευρά του τροχού.
- Μην αφήνετε ποτέ το εργαλείο να λειτουργεί χωρίς την επίβλεψή σας. Απενεργοποιήστε το εργαλείο. Προσοχή, ο δίσκος περιστρέφεται με τη δύναμη της

αδράνειας μετά τη στάση του εργαλείου. Μην αφήνετε το εργαλείο μέχρι να σταματήσει τελείως.

- Μην αγγίζετε πίσω ή κάτω από τους τροχούς λείανσης.
- Χρησιμοποιείτε προστατευτικά αυτιών, όπως ωτοασπίδες ή ακουστικά στην περίπτωση παρατεταμένων εργασιών.
- Αφαιρέστε το βύσμα πριν κάνετε οποιαδήποτε προσαρμογή, εργασία σέρβις ή συντήρηση. Το καλώδιο τροφοδοσίας πρέπει να είναι εκτός της παροχής ρεύματος ενόσω πραγματοποιείτε συντήρηση του μηχανήματος.
- Ρυθμίζετε συχνά τα στηρίγματα εργασίας και τους προφυλακτήρες σπινθήρων έτσι ώστε να αντισταθμίζεται η φθορά των τροχών λείανσης.
- Ρυθμίζετε τα στηρίγματα εργασίας όποτε είναι απαραίτητο έτσι ώστε να διατηρείτε την απόσταση των στηριγμάτων εργασίας και των τροχών λείανσης όσο το δυνατόν μικρότερη. Η απόσταση αυτή θα πρέπει να είναι μικρότερη ή ίση με 2 χιλ.. Επειδή η διάμετρος του τροχού λείανσης μικραίνει με τη χρήση, διατηρήστε τη μέγιστη απόσταση του στηρίγματος εργασίας ρυθμίζοντάς την.
- Ρυθμίστε τα αντισπινθηρικά όποτε είναι απαραίτητο έτσι ώστε να διατηρείτε την απόσταση με τους τροχούς λείανσης όσο το δυνατόν μικρότερη. Η απόσταση αυτή θα πρέπει να είναι μικρότερη ή ίση με 2 χιλ.. Επειδή η διάμετρος του τροχού λείανσης μικραίνει με τη χρήση, διατηρήστε τη μέγιστη απόσταση των αντισπινθηρικών.
- Αντικαταστήστε τον φθαρμένο τροχό όταν η απόσταση των 2 mm μεταξύ του προφυλακτήρα σπινθήρων/στηρίγματος εργασίας και του τροχού δεν είναι πλέον σε θέση να διατηρηθεί.
- Εάν ο προφυλακτήρας σπινθήρων ή το στήριγμα εργασίας έχει φθαρεί ή υποστεί ζημιά, αντικαταστήστε τον με έναν παρόμοιο από το εξουσιοδοτημένο κέντρο σέρβις.
- Κατά την εγκατάσταση νέου τροχού λείανσης, ελέγχετε πάντα εάν ο αναγραφόμενος αριθμός στροφών ανά λεπτό (RMP) συμφωνεί ή υπερβαίνει τον αντίστοιχο αριθμό που αναγράφεται στο μηχανήμα. Βεβαιωθείτε ότι η διάμετρος του τροχού και το μέγεθος του άξονα συμφωνούν με τα μεγέθη που υποδεικνύονται στις προδιαγραφές. Επίσης, ελέγχετε κάθε νέο τροχό λείανσης για βλάβες όπως ελαττώματα ή ρωγμές.

ΟΔΗΓΙΕΣ ΑΣΦΑΛΕΙΑΣ ΓΙΑ ΤΟΝ ΤΡΟΧΟ ΛΕΙΑΝΣΗΣ

⚠ ΠΡΟΕΙΔΟΠΟΙΗΣΗ

Για να ελαχιστοποιηθεί ο κίνδυνος τραυματισμού, οφείλετε να διαβάσετε και να συμμορφώσετε με τις οδηγίες, τις προειδοποιήσεις και τις οδηγίες λειτουργίας πριν αρχίσετε να χρησιμοποιείτε αυτόν τον τροχό λείανσης. Αμέλεια τήρησης αυτών των προειδοποιήσεων μπορεί να προκαλέσει σπάσιμο του τροχού και σοβαρό ατομικό τραυματισμό. Φυλάξτε αυτες τις οδηγίες.





- Η χρήση άλλου από τον τροχό που συνιστούν οι οδηγίες του μηχανήματος ενέχει τον κίνδυνο προσωπικού τραυματισμού. Χρησιμοποιείτε μόνο τροχούς λείανσης με ένδειξη ταχύτητας ίση ή μεγαλύτερη από αυτή που αναγράφεται στο μηχανήμα
- Μην χρησιμοποιείτε τροχούς που είναι τόσο μεγάλοι ώστε δεν επιτρέπουν στην εξωτερική φλάντζα να κλειδώσει με την άτρακτο. Οι μεγαλύτεροι τροχοί έρχονται σε επαφή με τα προστατευτικά ενώ οι πιο παχιοί δεν αφήνουν το μπουλόνι να ασφαλίσει τον τροχό στην άτρακτο. Όλες αυτές οι καταστάσεις μπορούν να προκαλέσουν σοβαρά ατυχήματα και τραυματισμούς.
- Ο τροχός αυτός προορίζεται για τη λείανση και τη διαμόρφωση μετάλλων. Μην επιχειρείτε εργασίες κοπής.
- Αυτός ο τροχός λείανσης είναι κατάλληλος μόνο για ξηρή λείανση.
- Μην χρησιμοποιείτε τροχούς λείανσης με φθορές, κοψίματα, ρωγμές ή άλλα ελαττώματα.
- Βεβαιωθείτε ότι ο τροχός λείανσης έχει τοποθετηθεί και στερεωθεί σωστά πριν από τη χρήση.
- Κατά την εγκατάσταση ή την αφαίρεση των τροχών λείανσης, το μηχάνημα δεν θα πρέπει να είναι συνδεδεμένο στο ρεύμα.
- Αποθηκεύστε προσεκτικά τον ανταλλακτικό τροχό λείανσης.
 - Διατηρήστε τον τροχό λείανσης στη συσκευασία του εφόσον αυτό είναι δυνατό.
 - Αποθηκεύστε τον τροχό σε θερμοκρασία δωματίου και ξηρό περιβάλλον.
 - Οι τροχοί μπορούν να τοποθετούνται όρθιοι σε ράφι.
 - Μην επιτρέπετε στους τροχούς να πέφτουν ή να υφίστανται οποιαδήποτε πρόσκρουση.

Πληροφορίες παρέχονται στην ετικέτα του τροχού λείανσης.

Οι πληροφορίες στην ετικέτα του τροχού είναι σημαντικές. Διαβάστε προσεκτικά και βεβαιωθείτε ότι επιλέγετε τον σωστό τύπο τροχού.

1. Κατασκευαστής, προμηθευτής, εισαγωγέας ή εμπορικό σήμα
2. Ονομαστικές διαστάσεις τροχού λείανσης, ιδιαίτερα η διάμετρος της οπής.
3. Τύπος λειαντικού, μέγεθος κόκκου, βαθμίδα ή σκληρότητα, τύπος ένωσης και χρήση ενίσχυσης.
4. Μέγιστη ταχύτητα λειτουργίας σε μέτρα ανά δευτερόλεπτο.
5. Μέγιστη επιτρεπόμενη ταχύτητα περιστροφής σε 1/min
6. Προς δήλωση πιστότητας, τα λειαντικά προϊόντα πρέπει να φέρουν τη σήμανση EN 12413.
7. Περιορισμός χρήσης και σύμβολα προειδοποίησης ασφαλείας
8. Κωδικός ανιχνευσιμότητας, π. χ. αριθμός παραγωγής/παρτίδας, αριθμός σειράς

Ο τροχός μπορεί να χρειαστεί αντικατάσταση σε οποιαδήποτε από τις ακόλουθες περιπτώσεις.

1. Εάν η όψη του τροχού λείανσης έχει φθαρεί ανομοιόμορφα, έχει αποκτήσει αυλακώσεις ή δεν είναι πλέον ομαλή και επίπεδη.
2. Εάν η διάμετρος του τροχού λείανσης δεν είναι πλέον στρογγυλή.
3. Αν η επιφάνεια του τροχού φορτωθεί και αμβλυθεί με υλικό τεμαχίων εργασίας.
4. Εάν υπάρχει κάποια ένδειξη ζημιάς.
5. Αν δημιουργεί δυσκολία στην εργασία.
6. Εάν το στήριγμα εργασίας / προφυλακτήρας σπινθηρών δεν μπορεί να ρυθμιστεί σε απόσταση ≤ 2 mm από την επιφάνεια του τροχού.
7. Εάν ≤ 1 cm του δίσκου προεξέχει από τη φλάντζα. Δείτε συμβουλές στη σελίδα 147.

ΑΛΛΟΙ ΚΙΝΔΥΝΟΙ

Ακόμη και όταν το προϊόν χρησιμοποιείται σύμφωνα με τις οδηγίες, δεν είναι δυνατή η απόλυτη απαλειφή συγκεκριμένων παραγόντων κινδύνου. Κατά τη χρήση μπορεί να προκύψουν οι ακόλουθοι κίνδυνοι και ο χειριστής πρέπει να δίδει ιδιαίτερη προσοχή προς αποφυγή των εξής:

- Προσοχή στην επαφή με μη προστατευμένα τμήματα του περιστρεφόμενου τροχού.
- Κίνδυνος εγκαύματος σε περίπτωση επαφής με τον τροχό ή το τεμάχιο εργασίας λόγω πολύ υψηλής θερμοκρασίας.
- Βλάβες στο αναπνευστικό σύστημα όταν δεν χρησιμοποιούνται αποτελεσματικά μάσκες προστασίας από τα πριονίδια.
- Βλάβες στην ακοή αν δεν χρησιμοποιούνται αποτελεσματικά προστατευτικά ακοής.

ΓΝΩΡΙΣΤΕ ΤΟ ΠΡΟΪΟΝ ΣΑΣ

Βλέπε σελίδα 141.

1. Διαφανές προστατευτικό x 2
2. Αντισπινθηρικά x 2
3. Προστατευτικό τροχού x 2
4. Δίσκος ξακρίσματος x 2
5. Επιφάνεια εργασίας x 2
6. Διακόπτης ενεργοποίησης/απενεργοποίησης (on/off)
7. Τρύπα τοποθέτησης x 4
8. Μοχλός κλειδώματος επιφάνειας εργασίας x 2

ΣΥΝΤΗΡΗΣΗ

- Μην τροποποιήσετε το προϊόν με οποιοδήποτε τρόπο ή χρησιμοποιήσετε αξεσουάρ που δεν είναι εγκεκριμένα από τον κατασκευαστή. Η ασφάλεια σας και η ασφάλεια των άλλων μπορεί να υποβαθμιστεί.
- Μην χρησιμοποιείτε το προϊόν εάν υπάρχουν διακόπτες, προφυλακτήρες ή άλλες λειτουργίες που δεν λειτουργούν όπως θα έπρεπε. Επιστρέψτε το σε ένα εξουσιοδοτημένο κέντρο επισκευών για επαγγελματική επισκευή ή ρύθμιση.
- Μην κάνετε ρυθμίσεις όταν το μηχάνημα είναι σε





Λειτουργία.

- Να βεβαιώνετε πάντα ότι το φως έχει βγει από τη πρίζα πριν από κάνετε προσαρμογές, λίπανση ή όταν κάνετε οποιαδήποτε συντήρηση του προϊόντος.
- Πριν και μετά από κάθε χρήση, ελέγξτε το προϊόν για ζημιές ή χαλασμένα μέρη. Διατηρήστε το προϊόν σε άριστη κατάσταση λειτουργίας με την άμεση αντικατάσταση εξαρτημάτων με ανταλλακτικά εγκεκριμένα από τον κατασκευαστή.
- Καθαρίστε τη συσσωρευμένη σκόνη με μια βούρτσα ή ηλεκτρική σκούπα. Μη χρησιμοποιείτε συμπιεσμένο αέρα.
- Για να εξασφαλιστεί η ασφάλεια και η αξιοπιστία, όλες οι επισκευές, συμπεριλαμβανομένης της αλλαγής βουρτσών, θα πρέπει να γίνονται από εξουσιοδοτημένο κέντρο επισκευών.
- Αν το καλώδιο παροχής ρεύματος έχει υποστεί ζημιά, ζητήστε την αντικατάστασή του από κάποιο εξουσιοδοτημένο Κέντρο Τεχνικής Εξυπηρέτησης ώστε να αποφύγετε τον κίνδυνο ατυχημάτων.

ΠΡΟΕΙΔΟΠΟΙΗΣΗ

Για μεγαλύτερη ασφάλεια και αξιοπιστία, όλες οι επιδιορθώσεις πρέπει να πραγματοποιούνται από εγκεκριμένο Κέντρο Τεχνικής Εξυπηρέτησης RYOBI.

ΜΕΤΑΦΟΡΑ ΚΑΙ ΑΠΟΘΗΚΕΥΣΗ

- Κατά την αποθήκευση του προϊόντος, αποσυνδέστε το καλώδιο τροφοδοσίας.
- Καθαρίστε το προϊόν χρησιμοποιώντας μια βούρτσα και μια ηλεκτρική σκούπα.
- Να μεταφέρετε και να ανασκηώνετε πάντα το προϊόν σύμφωνα με τις οδηγίες αυτού του εγχειριδίου χρήσης.
- Προστατέψτε το προϊόν από οποιοσδήποτε έντονος κρούσεις ή ισχυρούς κραδασμούς που μπορεί να προκύψουν κατά τη μεταφορά σε οχήματα.
- Στερεώστε το προϊόν για να αποφύγετε την ολίσθηση ή την πτώση.
- Αποθηκεύστε το προϊόν και τα βοηθητικά εξαρτήματα του σε ένα στεγνό και ασφαλές μέρος το οποίο δεν είναι προσβάσιμο από παιδιά.
- Συνιστούμε να χρησιμοποιείτε την αρχική συσκευασία για αποθήκευση για να προστατεύσετε το προϊόν από τη σκόνη.

ΠΡΟΣΤΑΣΙΑ ΤΟΥ ΠΕΡΙΒΑΛΛΟΝΤΟΣ



Ανακυκλώνετε τις πρώτες ύλες αντί να τις πετάτε ως απορρίμματα. Για την προστασία του περιβάλλοντος, πρέπει να γίνεται ι διαλογή του εργαλείου, των εξαρτημάτων και των συσκευασιών του.

ΣΥΜΒΟΛΑ ΣΤΟ ΠΡΟΪΟΝ



Προειδοποίηση ασφαλείας



Παρακαλούμε διαβάστε προσεκτικά τις οδηγίες πριν χρησιμοποιήσετε το προϊόν.



Συμμόρφωση CE



EurAsian σήμα πιστότητας.



Ουκρανικό σήμα συμμόρφωσης



Φοράτε προστατευτικά αυτιών



Φοράτε προστατευτικά ματιών



Ακατάλληλο για εργασίες λείανσης ή κοπής σε συνθήκες υγρασίας



Μην χρησιμοποιείτε λειαντικούς τροχούς που έχουν ξεφλουδίσει, ραγίσει ή είναι ελαττωματικοί



Φοράτε γάντια ασφαλείας



Κατεύθυνση περιστροφής τροχού (εμφανίζεται στην ετικέτα του τροχού)



Κατεύθυνση περιστροφής τροχού εμφανίζεται στο προστατευτικό του τροχού)



Τα ηλεκτρικά προϊόντα προς απόρριψη δεν θα πρέπει να απορρίπτονται μαζί με τα οικιακά απόβλητα. Παρακαλούμε ανακυκλώστε όπου υπάρχουν οι αντίστοιχες εγκαταστάσεις. Μιλήστε με τις τοπικές αρχές ή τον πωλητή για να σας ενημερώσουν σχετικά με τα προγράμματα ανακύκλωσης.



ΣΥΜΒΟΛΑ ΣΤΟ ΕΓΧΕΙΡΙΔΙΟ



Συνδέστε τη συσκευή στο ρεύμα.



Αποσυνδέστε από το ρεύμα το εργαλείο.



Ανταλλακτικά και εξαρτήματα πωλούνται χωριστά

Οι ακόλουθες προειδοποιητικές λέξεις και έννοιες προορίζονται να εξηγήσουν τα επίπεδα κινδύνου που συνδέονται με αυτό το προϊόν:

ΚΙΝΔΥΝΟΣ

Υποδεικνύει μια επικείμενη επικίνδυνη κατάσταση, η οποία, αν δεν αποφευχθεί, θα οδηγήσει σε θάνατο ή σοβαρό τραυματισμό.

ΠΡΟΕΙΔΟΠΟΙΗΣΗ

Υποδεικνύει μια δυνητικά επικίνδυνη κατάσταση, η οποία, αν δεν αποφευχθεί, θα οδηγήσει σε θάνατο ή σοβαρό τραυματισμό.

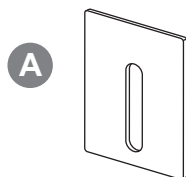
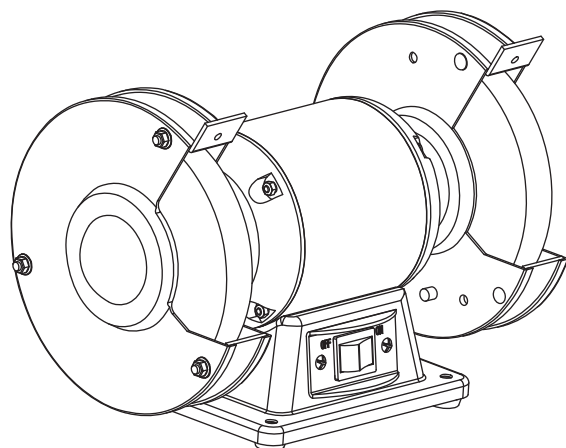
ΠΡΟΣΟΧΗ

Υποδεικνύει μια δυνητικά επικίνδυνη κατάσταση, η οποία, αν δεν αποφευχθεί, ενδέχεται να οδηγήσει σε ελαφρύ ή μέτριο τραυματισμό.

ΠΡΟΣΟΧΗ

(Χωρίς προειδοποιητικό σύμβολο) Επισημαίνει μια κατάσταση που ενδέχεται να προκαλέσει υλικές ζημιές.





x 2



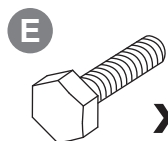
x 2



x 2



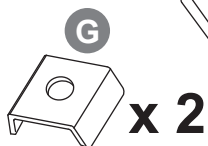
x 2



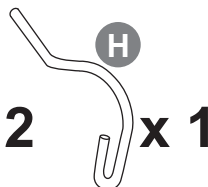
x 2



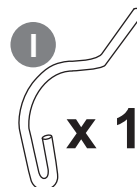
x 2



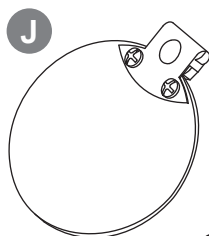
x 2



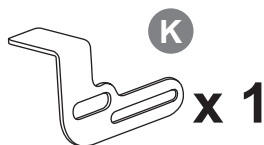
x 1



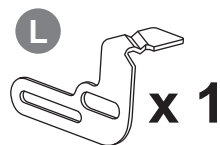
x 1



x 2



x 1



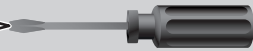
x 1

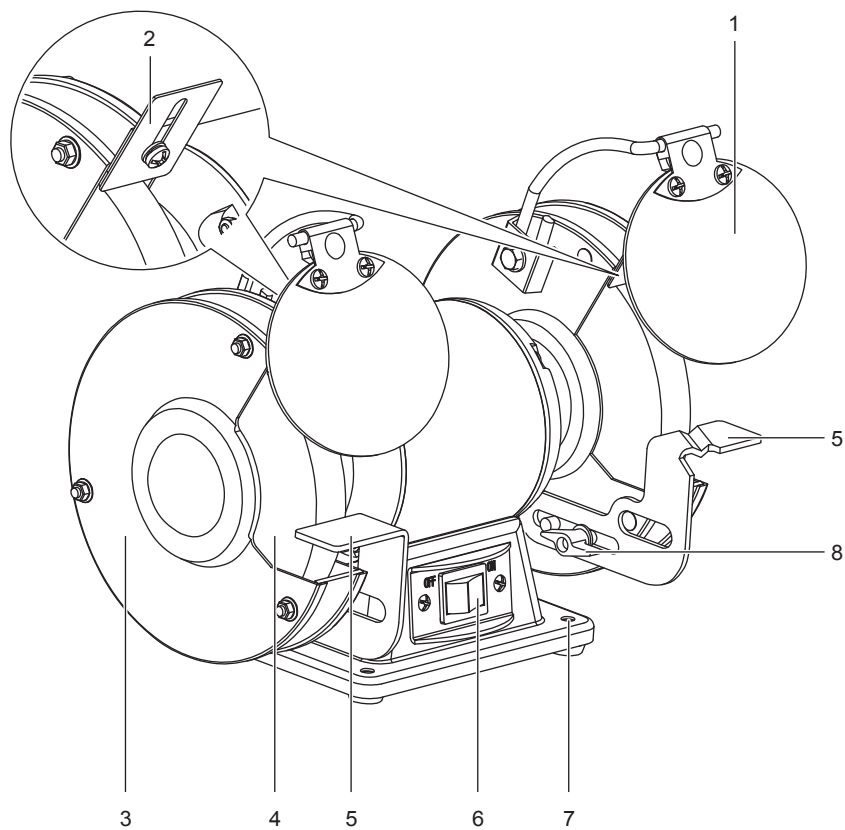


x 2



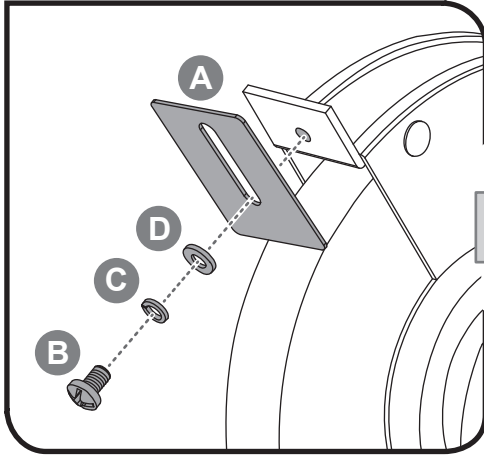
x 2



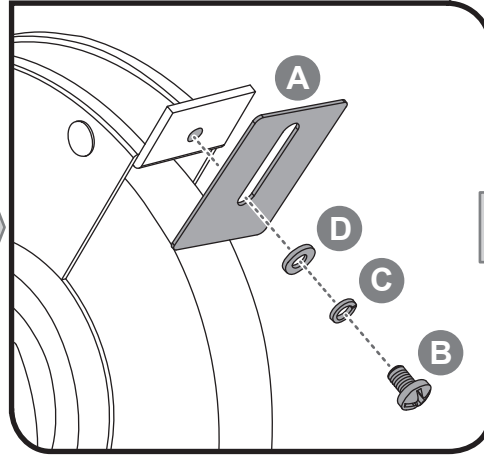




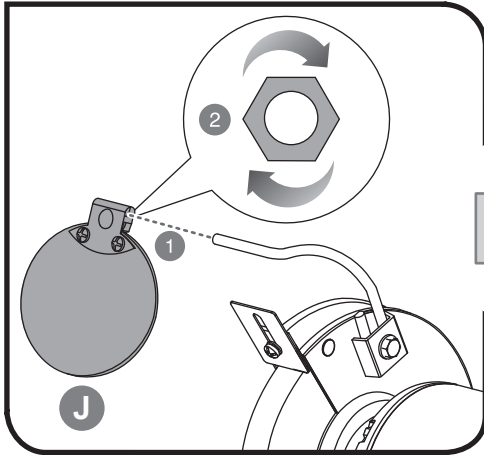
1



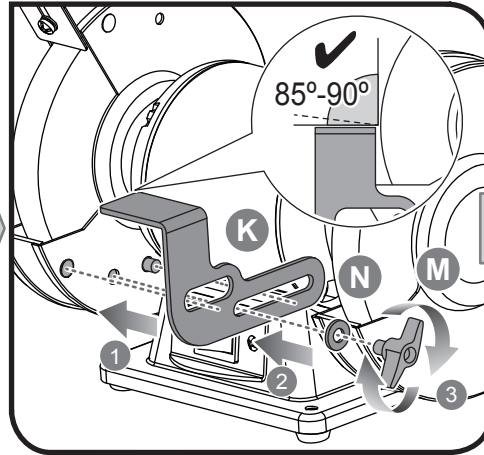
2

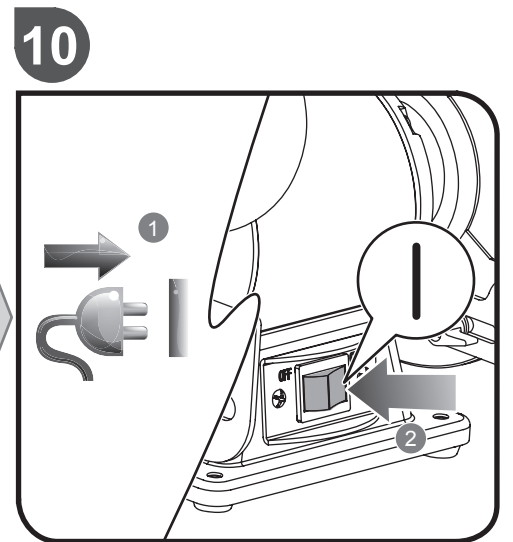
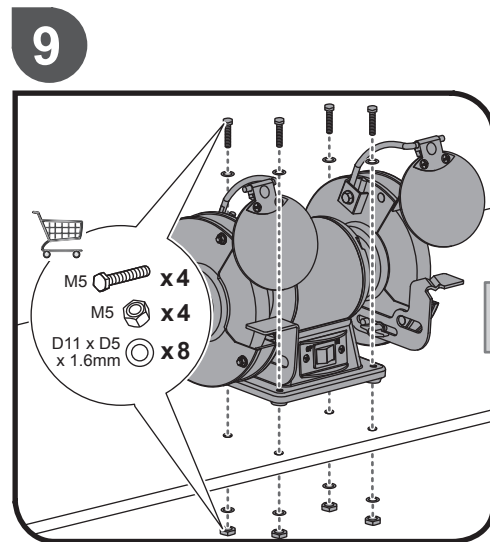
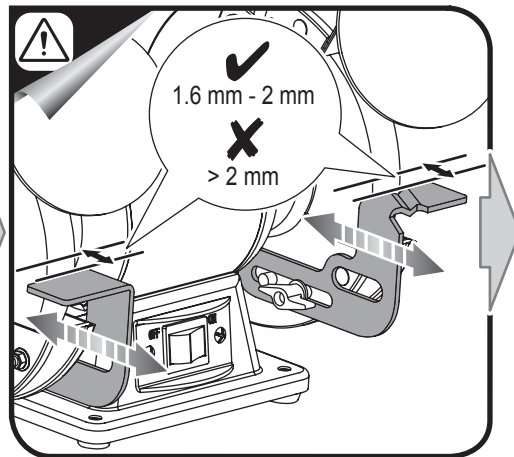
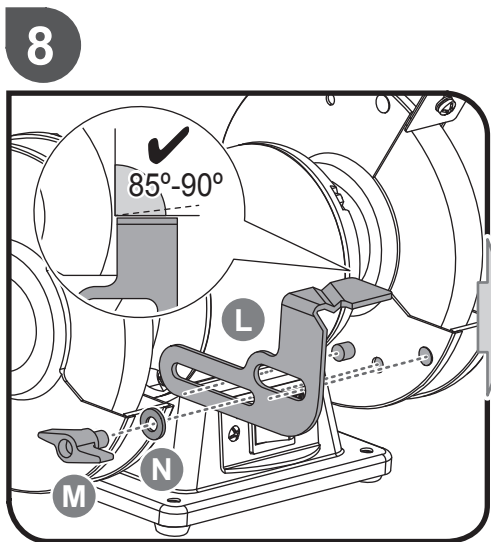
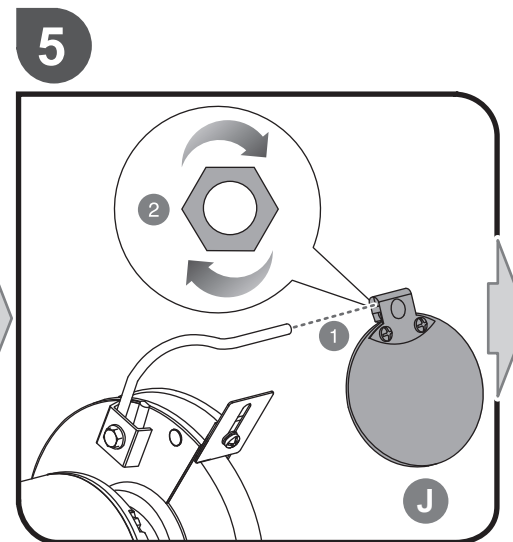
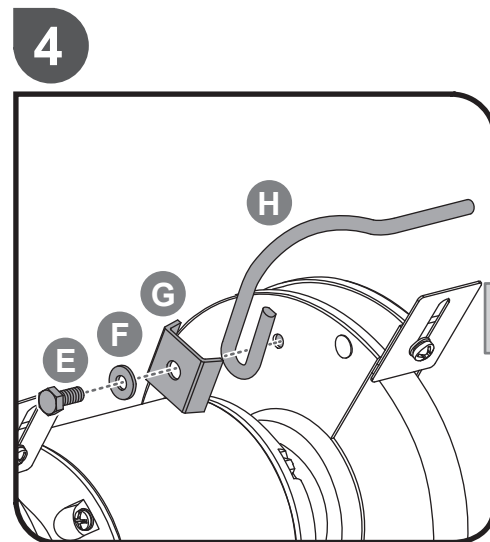
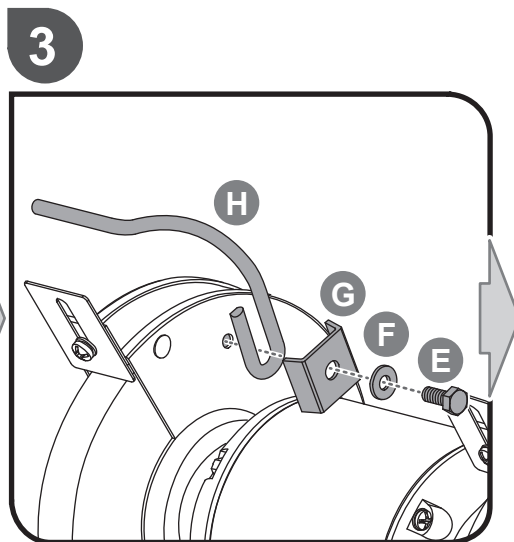
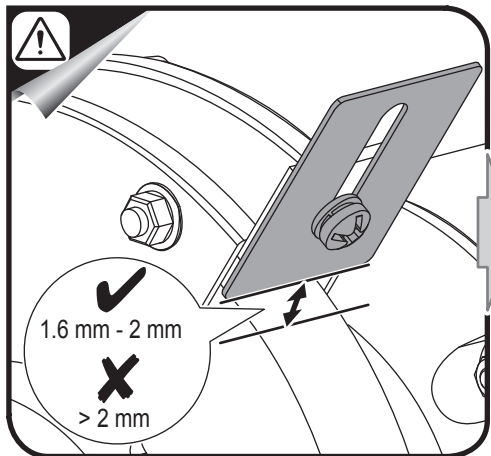


6

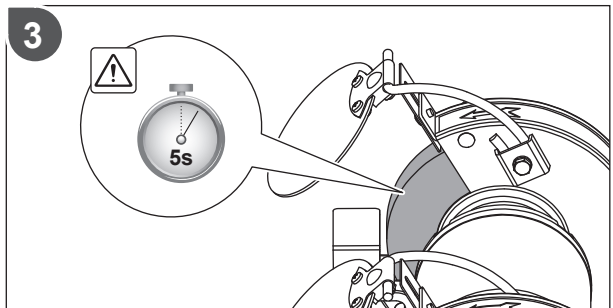
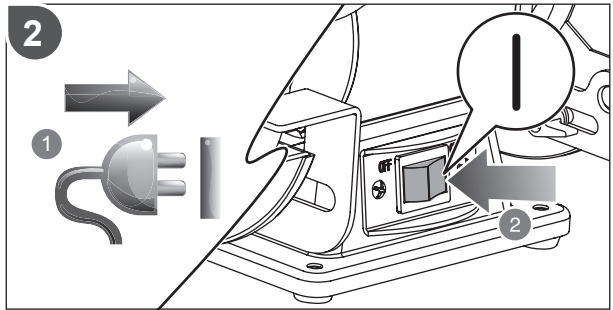
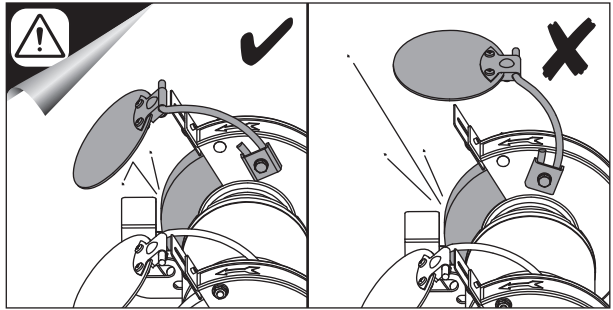
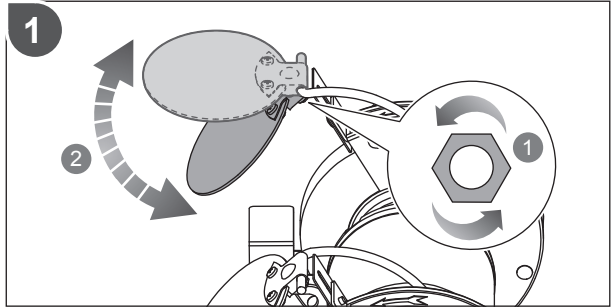
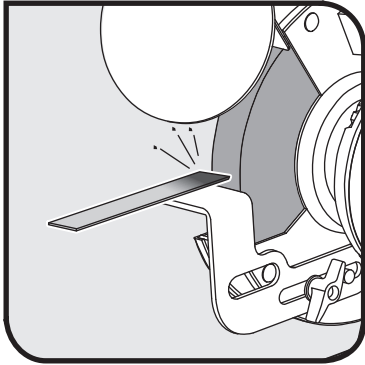


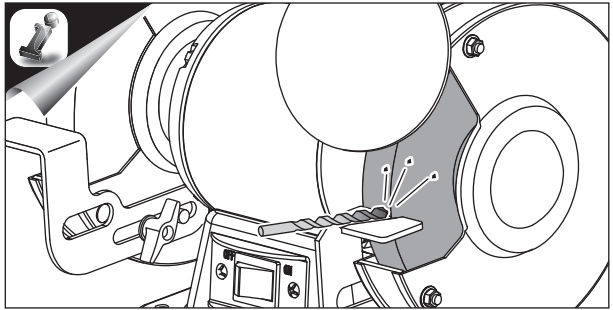
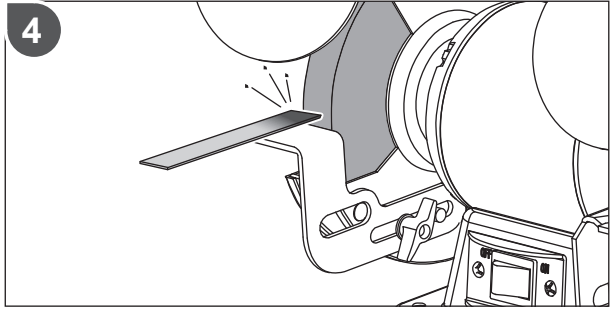
7

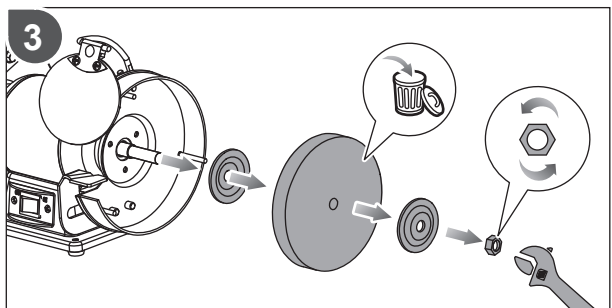
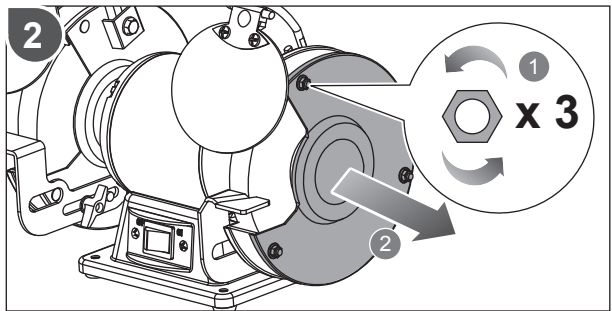
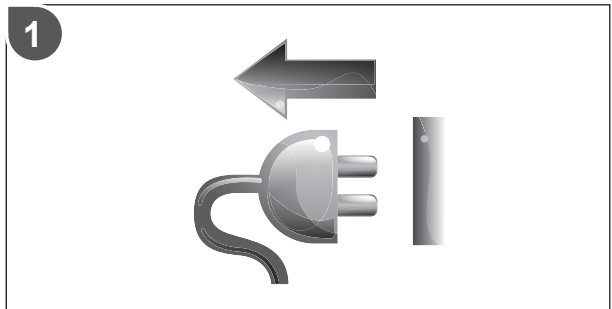
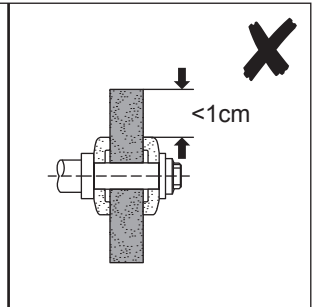
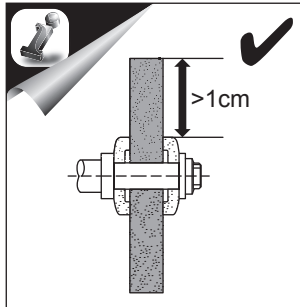
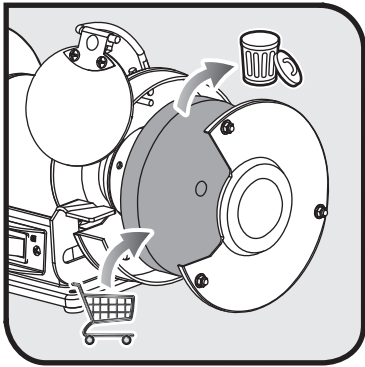


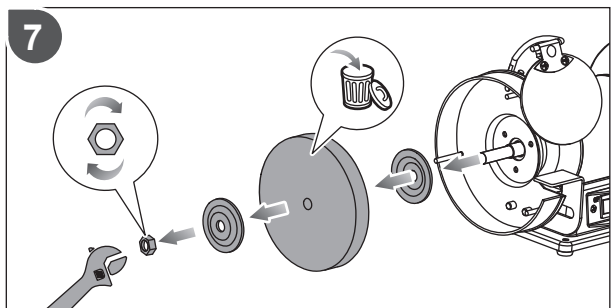
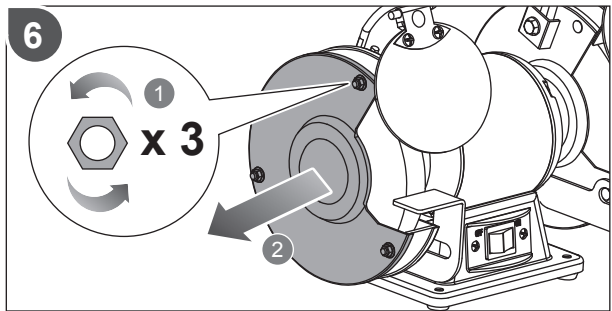
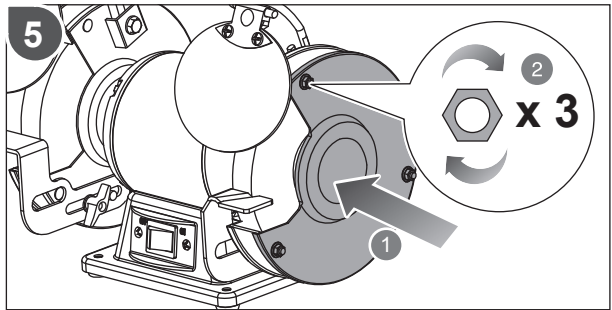
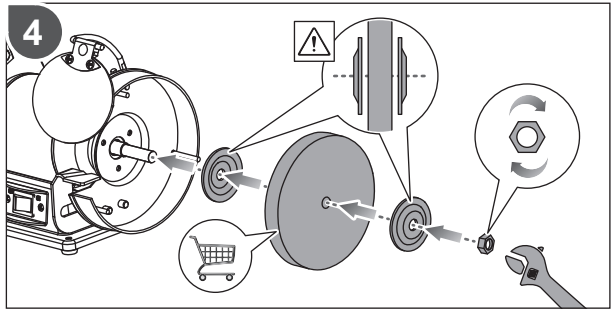


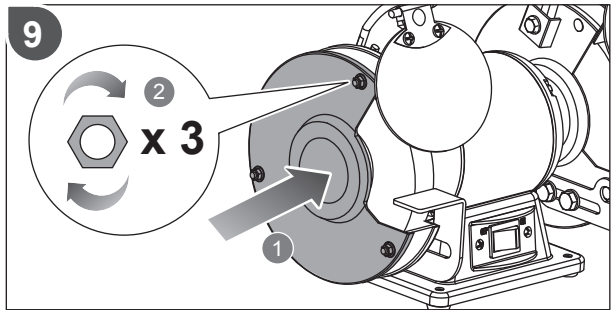
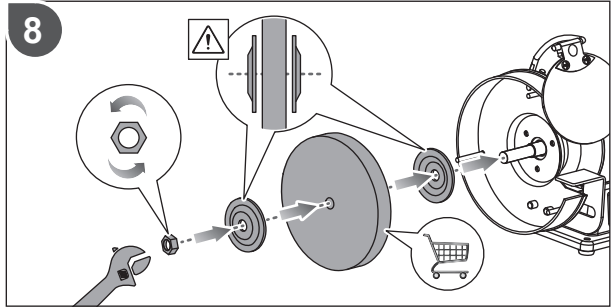


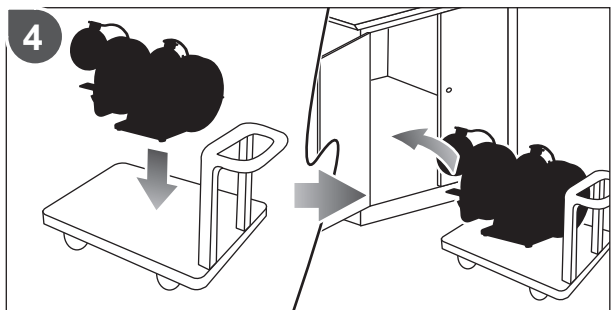
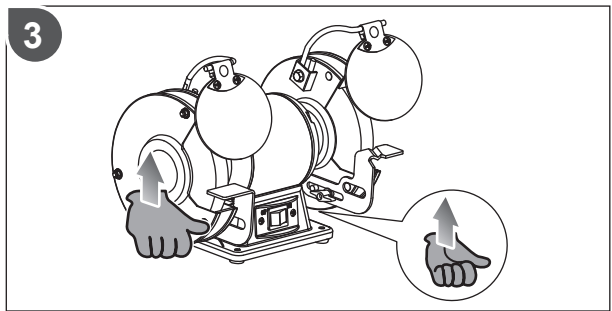
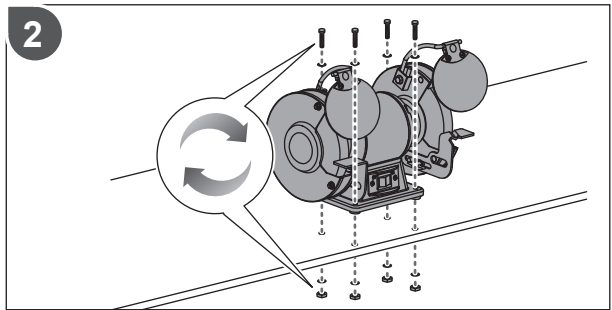
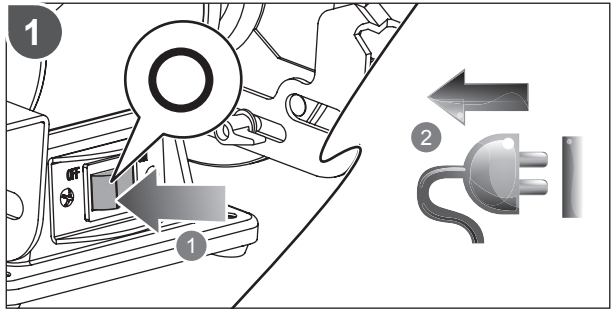














English	Français	Deutsch	Español	Italiano	Nederlands	Português
Product specifications	Caractéristiques de l'appareil	Produkt-Spezifikationen	Especificaciones del producto	Specifiche prodotto	Productspecificaties	Especificações do produto
Bench Grinder	Meule d'établi	Schleifbock	Amoladora de banco	Smerigliatrice da banco	Bankslijpmachine	Esmeriladora de Bancada
Model	Modèle	Modell	Modelo	Modello	Model	Modelo
Motor Type	Type de moteur	Art des Motors	Tipo de motor	Tipo di motore	Motortype	Tipo de Motor
Induction	Induction	Induktion	Inducción	Induzione	Inductie	Indução
Motor Ratings	Puissances du moteur	Nennwerte des Motors	Características del motor	Potenza del motore	Motorvermogen	Alimentação Eléctrica do Motor
Rated power	Puissance nominale	Nennleistung	Potencia nominal	Potenza nominale	Nominale vermogen	Potência nominal
Wheel diameter	Diamètre de la meule	Durchmesser der Schleifscheibe	Diámetro de la muela	Diámetro della mola	Schijf-diameter	Diâmetro do disco
Wheel Width	Largueur du disque	Scheibenbreite	Ancho de rueda	Larghezza ruota	Wieldiameter	Largura da Roda
Bore diameter	Diamètre du trou	Innendurchmesser	Diámetro interior	Diámetro foro	Boorgatdiameter	Diâmetro interno
No-load speed r/min. (RPM)	Vitesse à vide tr/min. (tr.min ⁻¹)	Leerlaufdrehzahl U/min	Velocidad sin carga r/min. (RPM)	Velocità a vuoto r/min. (RPM)	Onbelast toerental t/min. (TPM)	Velocidade em vazio r/min. (RPM)
Wheel Grits	Grains des meules	Schleifscheibenkörnung	Gravilla de la rueda	Grane della ruota	Wielgrit	Grão da Roda
36 (Coarse)	36 (épais)	36 (grob)	36 (grosso)	36 (Grossolana)	36 (grof)	36 (Grosso)
60 (Medium)	60 (moyen)	60 (mittel)	60 (medio)	60 (Media)	60 (middelgrof)	60 (Médio)
Net weight	Poids net	Nettogewicht	Peso neto	Peso netto	Netto gewicht	Peso líquido
Minimum workpiece dimensions	Dimensions minimum de la pièce de travail	Mindestabmessungen des Werkstücks	Dimensiones mínimas de la pieza de trabajo	Dimensioni minime del pezzo di lavoro	Minimale afmetingen van het werkstuk	Dimensões mínimas da peça de trabalho
Measured values determined according to EN 62841 A-weighted sound pressure level	Valeurs mesurées obtenues selon EN 62841 Niveau de pression sonore pondérée-A	Gemäß EN 62841 gemessene Werte A-bewerteter Schalldruckpegel	Valores medidos determinados de acuerdo con EN 62841 Nivel de presión acústica ponderada en A	Valori misurati determinati in accordo con lo standard EN 62841 Livello di pressione sonora pesato A	Valeurs mesurées obtenues selon EN 62841 A-gewogen geluidsdrukniveau	Valores medidos calculados de acordo com EN 62841 Nivel de pressão sonora ponderada A
Uncertainty K	Incertitude K	Unsicherheit K	Incetidumbre K	Incetezza K	Onzekerheid K	Incerteza K
Measured values determined according to EN 62841 A-weighted sound power level	Valeurs mesurées obtenues selon EN 62841 Niveau de puissance sonore pondérée-A	Gemäß EN 62841 gemessene Werte A-bewerteter Schalleistungspegel	Valores medidos determinados de acuerdo con EN 62841 Nivel de potencia acústica ponderada en A	Valori misurati determinati in accordo con lo standard EN 62841 Livello di potenza sonora pesato A	Valeurs mesurées obtenues selon EN 62841 A-gewogen geluidsniveau	Valores medidos calculados de acordo com EN 62841 Nivel de potência sonora ponderada A
Uncertainty K	Incertitude K	Unsicherheit K	Incetidumbre K	Incetezza K	Onzekerheid K	Incerteza K



Dansk	Svenska	Suomi	Norsk	Русский	Polski	
Produktspecifikationer	Produktspecifikationer	Tuotteen tekniset tiedot	Produktspesifikasjoner	Характеристики изделия	Parametry techniczne	
Bænksliber	Bänkslip	Penkkihiomakone	Benkslipemaskin	Шлифовальный станок	Szlifierka stolowa	
Model	Modell	Malli	Modell	Модель	Model	RBG6G1
Motor type	Motor typ	Mootorin tyyppi	Motor type	Тип двигателя	Typ silnika	
Induktion	Induktion	Induktio	Induksjon	Индукционный	Indukcyjny	
Motor klassifisering	Motorkarakteristika	Mootorin avot	Motorverdi	Мощность двигателя	Parametry silnika	230V - 240V - 50 Hz
Nominel effekt	Nominell effekt	Nimellisteho	Nominell effekt	Номинальная мощность	Moc znamionowa	250 W
Slibeskivens diameter	Slipskivans diameter	Hiomalaikan halkaisija	Slipeskivens diameter	Диаметр колеса	Średnica tarczy	150 mm
Hjulbredde	Skivbredde	Laikan paksuus	Skivebredde	Ширина шлифовального круга	Szerokość tarczy	20 mm
Borediameter	Håldiameter	Sisähalkaisija	Hulldiameter	Диаметр расточки	Średnica otworu	12,7 mm
Tomgangshastighed omdr./min. (RPM)	Tomgångshastighet v/min (varv per minut)	Tyhjäkäyntinopeus kierr/min (RPM)	Hastighet ubelastet o/min. (RPM)	Скорость на холостом ходу об/мин	Predkość bez obciążenia obr./min. (RPM)	3000
Slibestenshjul	Kornighet på skivor	Laikan karkeus	Skivekorning	Зернистость шлифовального круга	Ziarno mat. ściernego	
36 (grov)	36 (grov)	36 (karkea)	36 (grov)	36 (крупнозернистый)	36 (grube)	
60 (medium)	60 (medium)	60 (keskikarkea)	60 (medium)	60 (средний)	60 (średnie)	
Nettovægt	Nettovikt	Kokonaispaino	Nettovekt	Вес нетто	Masa netto	8,1 kg
Minimum mål på emnet	Minsta mått för arbetsstycke	Työstettävän kappaleen vähimmäismitat	Minimum arbeidsstykkemål	Минимальный размер обрабатываемой детали	Minimalne wymiary przedmiotu obrabianego	2 mm x 2 mm x 30 mm
Målte værdier bestemmes i henhold til EN 62841 A-vægtet lydtryksniveau	Värden uppmätta enligt EN 62841 A-vägd ljudtrycksnivå	Mitatut arvot määritetty EN 62841 -standardin mukaan A-painotettu äänenpainetaso	Målte verdier i samsvar med EN 62841 A-vektet lydtryknivå	Измеренные значения определены в соответствии с EN 62841 Уровень A-взвешенного звукового давления	Zmierzone wartości określone wg EN 62841 A-ważony poziom ciśnienia hałasu	$L_{pA} = 78,5 \text{ dB(A)}$
Usikkerhed K	Osäkerhet K	Epätarkkuus K	Usikkerhet K	Разброс K	Niepewność pomiaru K	3 dB(A)
Målte værdier bestemmes i henhold til EN 62841 A-vægtet lydeffektniveau	Värden uppmätta enligt EN 62841 A-vägd lydeffektsnivå	Mitatut arvot määritetty EN 62841 -standardin mukaan A-painotettu äänenpainetaso	Målte verdier i samsvar med EN 62841 A-vektet lydeffektnivå	Измеренные значения определены в соответствии с EN 62841 Уровень A-взвешенной звуковой мощности	Zmierzone wartości określone wg EN 62841 A-ważony poziom natężenia hałasu	$L_{WA} = 87,0 \text{ dB(A)}$
Usikkerhed K	Osäkerhet K	Epätarkkuus K	Usikkerhet K	Разброс K	Niepewność pomiaru K	3 dB(A)



Čeština	Magyar	Română	Latviski	Lietuviškai	Eesti
Technické údaje produktu	Termék műszaki adatai	Specificațiile produsului	Produkta specifikācijas	Gaminio techninės savybės	Toole tehnilised andmed
Stolní bruska	Asztali köszörűgép	Polizor de banc	Sola slīpmašīna	Stalinis šlifjuotuvas	Lauakäi
Model	Típus	Model	Modelis	Modelis	Mudelit tähis
Typ motoru	Motor típusa	Tip motor	Motora veids	Vankilio tipas	Mootori tüüp
Indukce	Indukciós	Inducție	Indukcijas	Indukcinis	induktsioon
Parametry motoru	Motor névleges jellemzői	Specificații motor	Motora raksturīelumi	Vankilio parametrai	Mootori võimsus
Jmenovitý výkon	Névleges teljesítmény	Putere nominală	Nominālā jauda	Vardinė galia	Arvutuslik võimsus
Průměr brusného kotouče	Korong átmérője	Diametru polizorului	Diska diametrs	Disko skersmuo	Ketta läbimõõt
Šířka kotouče	Korong szélessége	Diametru disc	Ripas platums	Disko plotis	Lihvketta paksus
Průměr vrtání	Furatátmérő	Diametru orificiu	Centra diametrs	Angos skersmuo	Lihvkettaava läbimõõt
Otáčky naprázdno ot./min. (RPM)	Üresjáratú fordulatszám ford./perc (RPM)	Viteză în gol rot/min. (RPM)	Apgrīezienu bez slodzes apgr./min. (RPM)	Greitis be apkrovimo aps./min. (apsukų per minutę)	Kiirus ilma koormuseta p/min. (p/min)
Rastry kotouče	Korong szemcsézettsége	Granulație disc	Ripas raupjums	Disko šifujojamasis paviršius	Lihvketta teralisus
36 (hrubý)	36 (durva)	36 (mare)	36 (Rupjā)	36 (stambus)	36 (jäme)
60 (střední)	60 (közepes)	60 (medie)	60 (Vidējā)	60 (vidutinis)	60 (keskmine)
Čistá hmotnost	Nettó tömeg	Greutate netă	Svars neto	Neto svoris	Netomass
Minimální rozměry obrobku	Munkadarab méretei minimális	Dimensiunile minime ale piesei prelucrat	Minimālie slīpējamā materiāla izmēri	Minimalūs ruošinio matmenys	Töödeldava detaili miinimum-mõõtmed
Naměřené hodnoty zjištěné dle EN 62841 Hladina akustického tlaku vážená funkcí A	A mért értékek meghatározása az EN 62841 szerint történt A-súlyozott hangnyomásszint	Valori măsurate determinate în conformitate cu EN 62841 Nivel de presiune acustică ponderată A	Izmērtās vērtības saskaņā ar EN 62841 A-līmeņa skaņas spiediena līmenis	Išmatuotosios vertės nustatytos pagal EN 62841 A svertinis garso slėgio lygis	Mõõleväärtused on kindlaks määratud vastavalt standardile EN 62841 A-kaalutud helirõhu tase
Nejistota K	Bizonytalanság K	Incertitudine K	Kļūdas vērtība K	Nepastovumas K	Mõõlemääramatus K
Naměřené hodnoty zjištěné dle EN 62841 Hladina akustického výkonu vážená funkcí A	A mért értékek meghatározása az EN 62841 szerint történt A-súlyozott hangteljesítményszint	Valori măsurate determinate în conformitate cu EN 62841 Nivel de putere acustică ponderată A	Izmērtās vērtības saskaņā ar EN 62841 A-līmeņa skaņas jaudas līmenis	Išmatuotosios vertės nustatytos pagal EN 62841 A svertinis garso galios lygis	Mõõleväärtused on kindlaks määratud vastavalt standardile EN 62841 A-kaalutud helivõimsuse tase
Nejistota K	Bizonytalanság K	Incertitudine K	Kļūdas vērtība K	Nepastovumas K	Mõõlemääramatus K



Hrvatski	Slovensko	Slovenčina	България	українська мова	Türkçe	Ελληνικά	
Specifikacije proizvođača	Specifikacije izdelka	Specifikácia	Спецификации на продукта	Технічні характеристики продукту	Ürün Özellikleri	Προδιαγραφές Προϊόντος	
Stolna brusilica	Dvojkotúčová stolová bruska	Namizni brusilnik	Шмиргел	Настільний шліфувальний верстат	Tezgah Üstü Taşlama Makinesi	Τριβείο πάγκου	
Model	Model	Model	Модел	Модель	Model	Μοντέλο	RBG6G1
Vrsta motora	Typ motora	Tip motorja	Вид на мотора	Тип двигуна	Motor Tipi	Τύπος μοτέρ	
Indukcijski	Indukčný	Indukcijski	Индукция	Індукція	Endüksiyon	Επαγωγική	
Nazivne vrijednosti motora	Technické parametre motora	Nazivne moči motorja	Номинална мощност на мотора	Рейтинг двигунів	Motor Gücü	Στοιχεία μοτέρ	230V - 240V - 50 Hz
Nazivna snaga	Menovitý výkon	Nazivna moč	Номинална мощност	Номинальна потужність	Anma Gücü	Ονομαστική ισχύς	250 W
Promjer kotača	Premer koluta	Priemer kotuča	Диаметър на диска	Диаметр диску	Taşın çapı	Διάμετρος δίσκου	150 mm
Širina diska	Širka kotuča	Širina diska	Ширина на диска	Ширина диска	Disk Genişliği	Πλάτος τροχού	20 mm
Promjer provrta	Priemer otvora	Premer vrtine	Диаметър на отвора	Внутрішній діаметр	Delik Çapı	Διάμετρος εδράνου	12,7 mm
Brzina bez opterećenja o/min (OKR/MIN)	Hitrost brez obremenitve vrt./min (RPM)	Rychlost bez záťaže ot./min.	Скорост в ненатоварен режим об./мин (RPM)	Швидкість без навантаження Об./хв. (Оборотів за хвилину)	Bota hız d/dak. (DDS)	Ταύτητα στ κεν r/min. (RPM)	3000
Brusne površine	Zrnatost kotuča	Brusna zrna	Зърнистост на диска	Зернистість диска	Disk Tanecliği	Δίσκοι λείανσης	
36 (grubo)	36 (hrubá)	36 (grobi)	36 (Груб)	36 (Грубий)	36 (Kaba)	36 (Χονδρός)	
60 (srednje)	60 (stredná)	60 (srednje grobi)	60 (Среден)	60 (Середній)	60 (Orta)	60 (Μεσαίος)	
Neto težina	Neto teža	Netto hmotnosť	Нетто тегло	Вага нетто	Net ağırlık	Καθαρό βάρος	8,1 kg
Minimalne dimenzije obratka	Najmanjše dimenzije obdelovanca	Minimálne rozmery obrobnku	Минимални размери на работния детайл	Мінімальні розміри заготовки	Minimum iş parçası boyutları	Ελάχιστες διαστάσεις τεμαχίου εργασίας	2 mm x 2 mm x 30 mm
Mjerene vrijednosti određene su prema EN 62841 Ponderirana razina tlaka zvuka	Izmerjene vrednosti določene v skladu s standardom EN 62841 A-izmerjena raven zvočnega tlaka	Namerane hodnoty určene podľa EN 62841 Vážená A hladina akustického tlaku	Измерени стойности, определени в съответствие с EN 62841 Ниво на шумово налягане с равнище А Променливост К	Вимірні значення шуму визначаються відповідно до EN 62841: А-зважений рівень звукового тиску Невизначеність К	EN 62841 ile uyumlu olarak belirlenen ölçülen değerler A ağırlıklı ses basınç seviyesi	Οι υπολογισμένες τιμές καθορίστηκαν σύμφωνα με το EN 62841 Α-σταθμισμένο επίπεδο πίεσης ήχου	$L_{\text{pA}} = 78,5 \text{ dB(A)}$
Neodređenost K	Nedoloč. K	Odhýlka K			Belirsizlik K	Αβεβαιότητα Κ	3 dB(A)
Mjerene vrijednosti određene su prema EN 62841 Ponderirana razina zvučne snage	Izmerjene vrednosti določene v skladu s standardom EN 62841 A-izmerjena raven zvočne moči	Namerane hodnoty určene podľa EN 62841 akustického tlaku	Измерени стойности, определени в съответствие с EN 62841 Ниво на силата на шума с равнище А Променливост К	Вимірні значення шуму визначаються відповідно до EN 62841: А-зважений рівень звукової потужності Невизначеність К	EN 62841 ile uyumlu olarak belirlenen ölçülen değerler A ağırlıklı ses gücü seviyesi	Οι υπολογισμένες τιμές καθορίστηκαν σύμφωνα με το EN 62841 Α-σταθμισμένο επίπεδο έντασης ήχου	$L_{\text{WA}} = 87,0 \text{ dB(A)}$
Neodređenost K	Nedoloč. K	Odhýlka K			Belirsizlik K	Αβεβαιότητα Κ	3 dB(A)





EN WARNING

The declared noise emission value(s) have been measured in accordance with a standard test method of EN 62841-1 and EN 62841-3-4, and may be used for comparing one tool with another.

The declared noise value(s) may also be used in a preliminary assessment of exposure.

The noise emissions during actual use of the power tool can differ from the declared values depending on the ways in which the tool is used especially what kind of workpiece is processed.

Identify safety measures to protect the operator based on an estimation of exposure in the actual conditions of use (taking account of all parts of the operating cycle such as the times when the tool is switched off and when it is running idle in addition to the trigger time).

Wear hearing protection. Exposure to noise can cause hearing loss.

FR AVERTISSEMENT

Les valeurs d'émission sonore déclarées ont été mesurées en suivant la procédure de test standard des normes EN 62841-1 et EN 62841-3-4, et peuvent être utilisées pour comparer les différents outils.

Les valeurs d'émission sonore déclarées peuvent aussi servir à une évaluation préliminaire d'exposition au bruit.

Les émissions sonores lors de l'utilisation d'un outil électrique peuvent être différentes des valeurs déclarées en fonction de la méthode d'utilisation de l'outil, surtout selon le type de la pièce qui est traitée.

Identifiez les mesures de sécurité pour protéger l'opérateur en fonction de l'estimation de l'exposition dans les conditions d'utilisation réelles (en tenant compte de toutes les phases du cycle de fonctionnement, notamment les périodes pendant lesquelles l'outil est éteint et celles où il fonctionne au ralenti, en plus du temps de déclenchement).

Porter des protections auditives. L'influence du bruit peut provoquer la surdité.

DE WARNUNG

Die ausgewiesenen Geräuschemissionswerte wurden gemäß einer Standardtestmethode von EN 62841-1 und EN 62841-3-4 gemessen und können zum Vergleichen von Werkzeugen verwendet werden.

Die ausgewiesenen Geräuschemissionswerte können auch für die Erstbewertung der Emission verwendet werden.

Geräuschemissionen während des Betriebs des Elektrowerkzeugs können sich, abhängig von der Verwendung des Werkzeugs und insbesondere des Werkstücks, von den ausgewiesenen Werten unterscheiden.

Legen Sie die Sicherheitsmaßnahmen fest, die den Bediener basierend auf einer Schätzung der Belastung unter tatsächlichen Einsatzbedingungen schützen (unter Berücksichtigung aller Phasen des Betriebszyklus, beispielsweise die Zeiten, wenn das Werkzeug aus- und eingeschaltet ist und sich zusätzlich zur Startzeit im Leerlauf befindet).

Tragen Sie einen Gehörschutz. Die Einwirkung von Lärm kann Gehörverlust bewirken.

ES ADVERTENCIA

Los valores de emisiones de ruido declarados se han medido conforme a un método de prueba estándar de EN 62841-1 y EN 62841-3-4, y se pueden usar para comparar una herramienta con otra.

Los valores de ruido declarados se pueden usar en una evaluación de exposición preliminar.

Las emisiones de ruido durante el uso actual de la herramienta eléctrica pueden diferir de los valores declarados en función de las maneras en las que se usa la herramienta, especialmente el tipo de pieza de trabajo que se está procesando.

Identificar las medidas de seguridad para proteger al operario en función del cálculo de exposición en las condiciones actuales de uso (teniendo en cuenta todas las piezas del ciclo operativo como las veces que se apaga la herramienta y cuando funciona al ralenti además del tiempo del gatillo).

¡Utilice protecciones auditivas. La exposición a niveles de ruido excesivos puede causar pérdida de audición.

IT AVVERTENZE

I valori di emissione sonora dichiarati che sono stati misurati in base a un metodo di prova standardizzato di EN 62841-1 e EN 62841-3-4, possono essere utilizzati per confrontare uno strumento con un altro.

I valori sonori dichiarati possono inoltre essere utilizzati in una valutazione preliminare dell'esposizione.

Le emissioni sonore durante l'uso effettivo dell'elettrotensile possono differire dai valori dichiarati a seconda delle modalità in cui lo strumento è utilizzato, soprattutto in base al tipo di pezzo trattato.

Identificare le misure di sicurezza per proteggere l'operatore in base alla valutazione dell'esposizione nelle attuali condizioni d'uso (tenendo conto di tutte le parti del ciclo operativo come il numero di volte in cui lo strumento viene spento e quando gira al minimo, oltre al tempo di attivazione).

Indossare una protezione dell'udito. L'esposizione prolungata al rumore senza protezione può causare danni all'udito.

NL WAARSCHUWING

De opgegeven geluidsemissiewaarde(n) is (zijn) gemeten volgens een standaard testmethode van EN 62841-1 en EN 62841-3-4 en kan (kunnen) worden gebruikt om het ene gereedschap met het andere te vergelijken.

De opgegeven geluidswaarde(n) kan (kunnen) ook worden gebruikt bij een voorafgaande beoordeling van de blootstelling.

De geluidsemissie tijdens het feitelijke gebruik van het elektrische gereedschap kan afwijken van de opgegeven waarden, afhankelijk van de manier waarop het gereedschap wordt gebruikt, in het bijzonder welk werkstuk wordt ingezet.

Identificeer veiligheidsmaatregelen om de bediener te beschermen op basis van een schatting van de blootstelling in de werkelijke gebruiksomstandigheden (rekening houdend met alle onderdelen van de werkingscyclus, zoals de tijden waarop het apparaat wordt uitgeschakeld en wanneer het naast de activeringstijd stationair draait).

Draag gehoorbescherming. Blootstelling aan geluid kan het gehoor beschadigen.

PT AVISO

Os valores da emissão de ruído declarados foram medidos de acordo com um método de teste padrão das normas EN 62841-1 e EN 62841-3-4 e poderão ser utilizados para comparar uma ferramenta com outra.

Os valores de ruído declarados também poderão ser utilizados numa avaliação da exposição preliminar.

As emissões de ruído durante a utilização real da ferramenta elétrica podem ser diferentes dos valores declarados, dependendo das formas como a ferramenta é utilizada e, particularmente, que tipo de peça de trabalho é processada.

Identifique medidas de segurança para proteger o operador com base numa estimativa da exposição nas condições de utilização reais (considerando todas as partes do ciclo de operação, tal como os períodos em que a ferramenta está desligada e quando está a funcionar ao ralenti, bem como o tempo de acionamento do gatilho).

Use proteção auditiva. A influência de ruídos pode causar surdez.

DA ADVARSEL

De angivne støjemissionsværdier er målt i overensstemmelse med en standardtestmetode i EN 62841-1 og EN 62841-3-4 og kan bruges til at sammenligne et værktøj med et andet.

De angivne støjværdier kan også anvendes i en foreløbig vurdering af eksponeringen.

Støjniveauet under selve brugen af elværktøjet kan afvige fra de deklarerede værdier afhængigt af, hvordan værktøjet bruges, især hvad slags emne behandles.

Identificer sikkerhedsforanstaltninger for at beskytte operatøren ud fra et estimat af eksponering under de aktuelle anvendelsesbetingelser (under hensyntagen til alle dele af drifts cyklussen, som f.eks. de tider, hvor værktøjet er slukket, og når det kører tomgang ud over udløserens tid).

Brug hørevæm. Støjpåvirkning kan bevirke tab af hørelse.





SV VARNING

De angivna brusnivåerna har mätts i enlighet med en standard testmetod enligt SE 62841-1 och SE 62841-3-4, och kan användas för att jämföra ett verktyg med ett annat.

De angivna brusnivåerna kan även användas i en preliminär exponeringsbedömning. Brusnivåerna vid verklig användning av elverktyget kan skilja sig från de angivna värdena beroende på vilket sätt verktyget används på, särskilt när det kommer till vilken typ av arbetsstycke som bearbetas.

Identifiera säkerhetsåtgärder för att skydda operatören baserat på en uppskattad exponering under verkliga användningsförhållanden (med betraktande av alla delar av driftcykeln såsom när verktyget stängs av och när det körs i tomgångsläge, förutom utlösningstiden).

Använd hörselskydd. Bullerbelastning kan orsaka hörselskador.

FI VAROITUS

Ilmoitetut melutasot on mitattu vakioestimenetelmän EN 62841-1 ja EN 62841-3-4 mukaisesti, ja niitä voidaan käyttää työkalujen vertailussa.

Ilmoitettuja melutasoja voidaan käyttää myös alistumisen ennakkoarvioinnissa.

Sähkötyökalun käytön aikaiset todelliset melutasot voivat poiketa ilmoitettua arvoista riippuen siitä, miten työkalua käytetään ja erityisesti siitä, minkä tapaisia työkalupalaita työstetään.

Tunnista turvakeinot, joiden avulla työntekijää suojataan, todellisten käyttöolosuhteiden alustusarvon perusteella (ota huomioon käyttöajon kaikki osat, kuten ajat, joina työkalu on pois päältä ja milloin se on joutokäynnissä laukaisujän lisäksi).

Käytä kuulosuojaimia. Alistuminen melulle voi vahingoittaa kuuloa.

NO ADVARSEL

De erklærte utslippsverdiene har blitt målt i samsvar med en standardtestmetode i henhold til EN 62841-1 og EN 62841-3-4, og kan brukes til å sammenligne et verkøy med et annet.

De erklærte støyverdiene kan også brukes i en preliminær eksponeringsvurdering. Støyutslippene under faktisk bruk av det elektriske verktøyet kan skille seg fra de erklærte verdiene avhengig av måten verktøyet brukes på, spesielt i henhold til hvilke materiale som behandles.

Identifiser sikkerhetstiltak for å beskytte operatøren basert på en beregning av eksponering i de faktiske bruksforholdene (ta i vurdering alle deler i driftsyklusen, slik som tidene da verktøyet er avslått og når det kjører i tomgang i tillegg til utløsningstiden).

Bruk hørselsvern. Støy kan føre til tap av hørselen.

RU ОСТОРОЖНО!

Заявленные уровни шумового воздействия получены с использованием метода, предусмотренного стандартами EN 62841-1 и EN 62841-3-4, и могут применяться для сравнения инструментов.

Заявленные уровни шума также могут применяться в ходе предварительной оценки общего воздействия.

Фактическая шумность работающего электроинструмента может отличаться от заявленных значений в зависимости от условий использования, в частности от обрабатываемого материала.

Меры безопасности оператора должны определяться с учетом примерного воздействия в фактических условиях эксплуатации (принимая во внимание все этапы рабочего цикла, например, периоды отключения инструмента и работы на холостом ходу).

Используйте средства защиты органов слуха. Воздействие шума может привести к потере слуха.

PL OSTRZEŻENIE

Deklarowany(-e) poziom(y) emisji hałasu został(y) zmierzony(-e) zgodnie ze znormalizowaną metodą badania opisaną w normach EN 62841-1 i EN 62841-3-4 i może(-ga) być wykorzystywany(-e) do porównywania poszczególnych narzędzi.

Deklarowany(-e) poziom(y) hałasu można również wykorzystywać do wstępnej oceny narażenia.

Emisja hałasu podczas rzeczywistego użytkowania narzędzia z napędem może różnić się od deklarowanych wartości w zależności od sposobu jego użytkowania, a w szczególności w zależności od rodzaju obrabianego przedmiotu.

Należy zidentyfikować środki bezpieczeństwa w celu ochrony operatora w oparciu o szacunkową ocenę narażenia w rzeczywistych warunkach użytkowania (z uwzględnieniem wszystkich etapów cyklu operacyjnego, takich jak włączanie, przestój przy włączonym silniku czy rozruch).

Nosić ochronę słuchu. Narażenie na hałas może spowodować utratę słuchu.

CS VAROVÁNÍ

Udáváné hodnoty akustické hladiny hluku byly změněny s využitím standardních zkušebních metod podle ustanovení norem EN 62841-1 a EN 62841-3-4 a lze je použít na porovnání hlučnosti různého nářadí.

Udáváné hodnoty hlučnosti lze také využít k předběžnému vyhodnocení účinků na osoby.

Skutečná hlučnost se může od udávaných hodnot lišit v závislosti na způsobu používání nářadí, obzvláště na druhu obrobku.

Určete bezpečnostní opatření na ochranu obsluhu na základě odhadnutého účinku za podmínek konkrétního používání (při zohlednění všech součástí provozního cyklu, například kromě obrábění také když je nářadí vypnuto nebo běží na volnoběh).

Používejte ochranu sluchu. Působením hluku může dojít k poškození sluchu.

HU FIGYELMEZTETÉS

A közölt zajkibocsátási érték(ek)et az EN 62841-1 és EN 62841-3-4 szabványos teszjtévével mérték, és ez(ek) alapján az egyik szerszám összehasonlítható egy másikkal.

A közölt zajszintérték(ek) alapján előzetesen felmérhető a kitettség mértéke.

A szerszám tényleges használatá során kibocsátott zajszint a szerszám használati módjától, különösen a feldolgozott munkadarabtól függően eltérhet.

A tényleges használati körülmények miatti kitettségi szint alapján állapítsa meg a kezelő védelméhez szükséges biztonsági intézkedéseket (vegye figyelembe a működési ciklus összes részét, pl. a szerszám kikapcsolási és újrásíráti idejét, valamint az indítási időt).

Viseljen hallásvédelmet. A fokozott zajhatás hosszú távon a hallás elvesztését eredményezheti.

RO AVERTISMENT

Valoarea declarată a emisiei de zgomot a fost măsurată în conformitate cu o metodă de testare standard EN 62841-1 și EN 62841-3-4, și poate fi utilizată pentru compararea uneltor.

Valoarea de zgomot declarată poate fi utilizată și pentru evaluarea preliminară a expunerii.

Emisiile de zgomot în timpul utilizării efective a unelei electrice pot fi diferite față de valorile declarate în funcție de modul în care este utilizată unealta și în special de tipul de piesă prelucrată.

Identificați măsurile de siguranță pentru protecția operatorului, pe baza unei estimări a expunerii în condițiile reale de lucru (având în vedere toate părțile ciclului de funcționare, precum perioadele când unealta este oprită și când funcționează la ralanti, plus perioada de activare).

Purtați protecție pentru urechi. Expunerea la zgomot poate produce pierderea auzului.





LV BRĪDINĀJUMS

Deklarētais radīto trokšņu līmeņa vērtība(s) ir mērīta saskaņā ar standarta testa metodēm, kas aprakstītas EN 62841-1 un EN 62841-3-4, un var tikt izmantotas viena instrumenta salīdzināšanai ar citu.

Deklarētais trokšņu vērtība(s) var tikt izmantotas arī sākotnējai ietekmes novērtēšanai.

Trokšņu līmeņi faktiskās elektroinstrumenta lietošanas laikā var atšķirties no deklarētās vērtības, atkarībā no veida, kādā instruments tiek izmantots, un it sevišķi, kāds materiāls tiek apstrādāts.

Nosakiet drošības pasākumus, lai aizsargātu lietotāju, pamatojoties uz ietekmes aplēsi faktiskajos apstākļos (ņemot vērā visas darba cikla daļas, piemēram laiku, kad instruments ir izslēgts un kad tas darbojas tukšgaitā papildu izmantošanas laikam).

Valkājiet dzirdes aizsargdzekļus. Ausu pakļaušana trokšņa iedarībai var izraisīt dzirdes traucējumus.

LT ĮSPĖJIMAS

Deklaruoti keliama triukšmo vertė(-ės) nustatyta(-os) atsižvelgiant į standartinę EN 62841-1 ir EN 62841-3-4 bandymo metodą, todėl ja(jas) galima palyginti su kitų elektrinių įrankių keliamu triukšmu.

Deklaruota keliama triukšmo vertė(-ės) taip pat gali būti naudojama(-os) preliminariam triukšmo poveikiui įvertinti.

Faktiškai naudojant elektrinį įrankį, keliamo triukšmo lygis gali skirtis nuo paskelbtosios vertės, priklausomai nuo būdų, kuriais yra naudojamas šis įrankis, ir ypač nuo to, koks ruošinys yra apdirbamas.

Siekiant apsaugoti naudotoją, būtina įvertinkite saugos priemonės, remdamiesi triukšmo poveikiu įvertinimu esant faktinėms naudojimo sąlygoms (atsižvelgdami į visas darbo ciklo dalis, pavyzdžiui, ne tik kiek laiko įrankis veikia, bet ir kiek kartų jis yra išjungiamas bei kai jis veikia be apgrovo).

Naudokite klausos apsaugos priemones. Jei ausų neapsaugosite, galite prarasti klausą.

ET HOIATUS

Deklarēritud mūrataseme vāartus(ed) no mōōdetud vastavalt standarti EN 62841-1 ja EN 62841-3-4 standarttesti meotodile ja seda saab kasutada tōōriistade vōrdlemiseks.

Deklarēritud mūrataseme vāartust (vāartuseid) saab kasutada ka kokkupuute eelhinngangus.

Elektritōōriista kasutamisega kaasnev mūratase vōib erineda deklarēritud vāartustest, sōltuvalt tōōriista kasutamise viisist, eriti sellest, millist toorikut tōōdeldatakse.

Tehke kindlimate ohutusmeetmed, et kaitsta operaatorit vastavalt tegelike kasutustingimuste hinnangule (vōttes arvesse kōiki tōōtsūkli osasid, nāiteks tōōriista vāljaliitlmitamise aegu ja vabakāigul tōōtamise aega lisaks kāivitamise ajale).

Kandke kuuldekaitset. Tugev mūra vōib pōhjustada kuulmiskaotuse.

HR UPOZORENJE

Deklarirane vrijednosti emisije buke izmjerene su u skladu sa standardnom ispitnom metodom normi EN 62841-1 i EN 62841-3-4, i mogu se koristiti za usporedbu jednog alata s drugim.

Deklarirana vrijednost buke može se koristiti i za preliminarnu procjenu izlaganja. Emisije buke tijekom trenutnog korištenja električnog alata mogu se razlikovati od deklariranih vrijednosti ovisno o načinima korištenja alata, osobito o vrsti obrade radnog komada.

Utvrđite sigurnosnu mjeru za zaštitu rukovatelja na temelju procjene izlaganja u sadašnjim uvjetima korištenja (vodeći računa o svim dijelovima radnog ciklusa kao što su vremena isključivanja alata i kada alat radi u praznom hodu uz vrijeme okidanja).

Nosite zaštitu za sluh. Izlaganje buci može izazvati gubitak sluha.

SL OPOZORILO

Navedene vrednosti oddajanja hrupa so bile izmerjene v skladu s standardno testno metodo v EN 62841-1 in EN 62841-3-4 in se lahko uporabljajo za medsebojno primerjavo orodij.

Navedene vrednosti oddajanja hrupa ase lahko uporabijo tudi za predhodno oceno izpostavljenosti.

Emisije hrupa med dejansko uporabo električnega orodja so lahko drugačne od navedenih vrednosti, kar je odvisno od načinov uporabe orodja in predvsem vrste obdelovanja.

Varnostne ukrepe za zaščito operaterja ugotovite na podlagi ocene izpostavljenosti v dejanskih pogojih uporabe (pri čemer upoštevajte vse dele cikla uporabe, to je čas dejanske uporabe in tudi čas, v katerem je orodje izklopljeno in ko teče v prostem teku).

Uporabljajte zaščito sluha. Izpostavljenost hrupu lahko povzroči izgubo sluha.

SK VAROVANIE

Udávane hodnoty emisii hluku boli namerané v súlade so štandardným spôsobom testovania podľa normy EN 62841-1 a EN 62841-3-4 a môžu sa používať na porovnanie jednotlivých nástrojov.

Udávane hodnoty hluku sa môžu tiež používať na predbežné posúdenie expozície.

Emisie hluku počas skutočného používania elektrického náradia sa môžu od udávaných hodnôt líšiť v závislosti od spôsobov používania náradia, hlavne od opracovaného obrobku.

Identifikujte bezpečnostné opatrenia s cieľom chrániť obsluhu na základe približného stanovenia expozície v aktuálnych podmienkach používania (pri zohľadnení všetkých súčastí prevádzkového cyklu; okrem času spustenia zohľadnite aj časy vypnutia náradia a jeho spustenia na voľnobehu).

Používajte ochranu sluchu. Vystavovanie hluku môže spôsobiť stratu sluchu.

BG ВНИМАНИЕ

Посочените стойности на шумовите емисии са измерени по стандартен тестов метод на EN 62841-1 и EN 62841-3-4 и могат да се използват за сравняване на един инструмент с друг.

Посочените стойности на шума могат да се използват също така и при предварителна оценка на излагането.

Шумовите емисии по време на действителната употреба на електрическа инструментите може да се различават от посочените стойности в зависимост от начините, по които се използва инструментът, и по-специално от вида на обработвания детайл.

Идентифициране на мерките за безопасност за защита на оператора въз основа на излагането в действителните условия на употреба (като се вземат предвид всички части на работния цикъл, като напр. времето, през което инструментът е изключен и когато работи на празен ход в допълнение към времето на работа).

Носете антифони. Излагането на шум може да причини увреждане на слуха.

UK ПОПЕРЕДЖЕННЯ

Заявлені значення випромінювання шуму було виміряно у відповідності зі стандартним методом випробування згідно EN 62841-1 та EN 62841-3-4, і можуть бути використані для порівняння одного інструменту з іншим.

Заявлені значення шуму також можуть бути використані при попередній оцінці впливу.

Викиди шуму при фактичному використанні електроінструменту можуть відрізнятись від заявлених значень залежно від способів використання інструменту, особливо того, який вид оброблюваної деталі обробляється.

Визначити заходи безпеки для захисту оператора на основі оцінки впливу в реальних умовах використання (з урахуванням всіх частин робочого циклу, таких як час, коли інструмент вимикається і коли він працює на холостому ході на додаток до часу вмикання).

Носіть захист слуху. Вплив шуму може призвести до втрати слуху.



TR UYARI

Açıklanan gürültü emisyon değeri/değerleri EN 62841-1 ve EN 62841-3-4 uyumlu standart test yöntemleriyle ölçülmüş olup, bir aleti diğeriyle karşılaştırmak için kullanılabilir.

Açıklanan gürültü değeri/değerleri maruz kalma ön değerlendirmesi için de kullanılabilir.

Aletin kullanıma yöntemleri ve özellikle işlenen parçanın türüne bağlı olarak, elektrikli aletin fiili kullanımındaki gürültü emisyonları açıklanan değerlere göre farklılık gösterebilir.

Operatörü korumak için, işletme döngüsünün bütün safhalarını (çalışma süresine ilave olarak aletin çalıştırılmadığı ve boşta çalıştırıldığı süreler de dahil) göz önünde bulundurarak fiili kullanım koşullarındaki maruz kalma tahminini temel alıp gerekli güvenlik önlemlerini belirleyin.

Kulak tıkacı kullanın. Gürültüye maruz kalmak işitme kaybına neden olabilir.

EL ΠΡΟΕΙΔΟΠΟΙΗΣΗ

Οι δηλωθείσες τιμές εκπομπής θορύβου έχουν μετρηθεί σύμφωνα με μια τυπική μέθοδο δοκιμών των προτύπων EN 62841-1 και EN 62841-3-4 και μπορούν να χρησιμοποιηθούν για τη σύγκριση ενός εργαλείου με ένα άλλο.

The noise emissions during actual use of the power tool can differ from the declared values depending on the ways in which the tool is used especially what kind of workpiece is processed.

Οι εκπομπές θορύβου κατά τη διάρκεια της πραγματικής χρήσης του ηλεκτρικού εργαλείου μπορεί να διαφέρουν από τις δηλωθείσες τιμές ανάλογα με τους τρόπους με τους οποίους χρησιμοποιείται το εργαλείο, και ιδίως το είδος του κατεργαζόμενου τεμαχίου.

Προσδιορίστε τα μέτρα ασφαλείας για την προστασία του χειριστή με βάση την εκτίμηση της έκθεσης στις πραγματικές συνθήκες χρήσης (λαμβάνοντας υπόψη όλα τα μέρη του κύκλου λειτουργίας, όπως είναι οι χρόνοι κατά τις οποίες το εργαλείο είναι απενεργοποιημένο και όταν βρίσκεται σε αδρανή κατάσταση επιπροσθέτως του χρόνου πυροδότησης).

Φοράτε προστατευτικά ακοής. Η επίδραση θορύβου μπορεί να προκαλέσει απώλεια ακοής.



EN RYOBI® WARRANTY APPLICATION CONDITIONS

In addition to any statutory rights resulting from the purchase, this product is covered by a warranty as stated below.

- The warranty period is 24 months for consumers and commences on the date the product was purchased. This date has to be documented by an invoice or other proof of purchase. The product is designed and dedicated to consumer and private use only. So there is no warranty provided in case of professional or commercial use. This warranty applies only on new products.
- There is a possibility to extend for a part of the range of power tools (AC/DC) the warranty period over the period described above using the registration on the www.ryobitools.eu website. The eligibility of products for extended warranty is clearly displayed in stores and / or on packaging and is contained within the product documentation. The end user is required to register his/her newly-acquired products online within 30 days from the date of purchase. The end user may register for the extended warranty in his/her country of residence if listed on the online registration form where this option is valid. Furthermore, end users must give their consent to the storage of their personal data that is required to be entered online. They must also accept the terms and conditions. The registration confirmation receipt, which is sent out by e-mail, and the original invoice showing the date of purchase will serve as proof of the extended warranty.
- The warranty covers all defects of the product during the warranty period due to faults in workmanship or material at the purchase date. The warranty is limited to repair and/or replacement and does not include any other obligations including but not limited to incidental or consequential damages. The warranty is not valid if the product has been misused, used contrary to the instruction manual, or has been incorrectly connected to a power supply. This warranty does not apply to:
 - any damage to the product that is the result of improper or lack of maintenance
 - any product that has been altered or modified
 - any product where original identification (trade mark, serial number) markings have been defaced, altered or removed
 - any damage caused by non-observance of the instruction manual
 - any product not displaying the CE approval mark on the rating plate
 - any product that has been attempted to be repaired by a non-authorized warranty service centre or without prior authorisation by Techtronic Industries
 - any product connected to improper power supply (amps, voltage, frequency)
 - any damage caused by external influences (water, chemical, physical, shocks) or foreign substances
 - normal wear and tear spare parts
 - inappropriate use, overloading of the tool
 - use of non-approved accessories or parts
 - Power tool accessories provided with the tool or purchased separately, including but not limited to screw driver bits, drill bits, abrasive discs, sand paper and blades, lateral guide, etc.
 - Components (parts and accessories) subject to natural wear and tear, including but not limited to service & maintenance kits, carbon brushes, bearings, chuck, SDS drill bit attachment or reception, power cord, auxiliary handle, transport carry case, sanding plate, dust bag, dust exhaust tube, felt washers, impact wrench pins & springs, etc.
- For servicing, the product must be sent or presented to a RYOBI authorised service station listed for each country in the following list of service station addresses. In some countries your local RYOBI dealer undertakes to send the product to the RYOBI service organisation. When sending a product to a RYOBI service station, the product should be safely packed without any dangerous contents such as petrol, marked with sender's address and accompanied by a short description of the fault.
- A repair / replacement under this warranty is free of charge. It does not constitute an extension or a new start of the warranty period. Exchanged parts or products become our property. In some countries delivery charges or postage will have to be paid by the sender. Your statutory rights arising from the purchase of the product remain unaffected
- This warranty is valid in the European Community, Switzerland, Iceland, Norway, Liechtenstein, Turkey and Russia. Outside these areas, please contact your authorised RYOBI dealer to determine if another warranty applies.

AUTHORISED SERVICE CENTRE

To find an authorised service centre near you, visit <http://uk.ryobitools.eu/header/service-and-support/service-agents>

FR RYOBI® CONDITIONS D'APPLICATION DE LA GARANTIE

En plus des droits statutaires liés à l'achat, ce produit est couvert par une garantie telle que décrite ci-dessous.

- La durée de la garantie accordée au consommateur est de 24 mois à partir de la date d'achat. Cette date doit être authentifiée par une facture ou toute autre preuve d'achat. Le produit a été conçu en vue d'une utilisation strictement privée. Aucune garantie ne s'applique donc en cas d'utilisation professionnelle ou commerciale.
- Il existe pour une partie de la gamme d'outils électroportatifs (AC/DC), une possibilité d'étendre la période de garantie au-delà de la période précédemment décrite en utilisant le formulaire d'enregistrement présent sur le site Internet www.ryobitools.eu. L'éligibilité d'un outil est clairement affichée dans les points de vente et/ou sur l'emballage et la documentation. L'utilisateur final doit enregistrer son/ses outil(s) nouvellement acheté(s) en ligne dans les 30 jours qui suivent la date d'achat. L'utilisateur a la possibilité de s'enregistrer pour l'extension de garantie dans son pays de résidence si celui-ci est listé dans le formulaire d'enregistrement en ligne où cette option est valide. L'utilisateur final doit donner son consentement pour l'enregistrement des données requises pour accéder au site et doit accepter les termes et conditions. La confirmation d'enregistrement, envoyée par courrier électronique, ainsi que la facture originale mentionnant la date d'achat serviront de preuve de l'extension de garantie.
- La garantie couvre pendant la période de garantie les défauts des produits liés à la fabrication et aux matériaux à la date d'achat. La garantie est limitée à la réparation et/ou au remplacement et n'inclut aucune autre obligation, tel que, mais sans s'y limiter, les dommages accessoires ou indirects. La garantie est non valable en cas de mauvaise utilisation du produit, d'utilisation contraire aux instructions du mode d'emploi, ou en cas de branchement incorrect. Cette garantie ne s'applique pas pour :
 - tout dommage au produit résultant d'un mauvais entretien
 - tout produit ayant été altéré ou modifié
 - tout produit dont les marquages originaux d'identification (marque, numéro de série) ont été dégradés, altérés ou retirés
 - tout dommage causé par le non-respect des instructions du mode d'emploi
 - tout produit non CE
 - tout produit ayant subi une tentative de réparation par du personnel non qualifié ou sans autorisation préalable de Techtronic Industries
 - tout produit raccordé à une alimentation secteur non conforme (ampérage, voltage, fréquence)
 - tout dommage causé par des influences extérieures (chimiques, physiques, chocs) ou par des substances étrangères
 - l'usure normale des pièces consommables
 - une utilisation inappropriée, une surcharge de l'outil
 - l'utilisation de pièces ou accessoires non agréés
 - accessoires de l'outil électrique fournis avec l'outil ou achetés séparément. Cela comprend notamment les embouts de vissage, les forets de perceuse, les disques abrasifs, le papier de verre et les lames, le guide latéral
 - Les composants (pièces et accessoires) sujets à l'usure naturelle, ceci incluant notamment les mandrins, les charbons, adaptateurs SDS, les cordons d'alimentation, les poignées auxiliaires, les mallettes de transport, les plateaux de ponçage, les sacs collecteurs de poussière, les tubes d'extraction de poussière, les carrés de clé à choc, etc.
- Si le produit doit être réparé, envoyez-le à un service après-vente agréé RYOBI dont vous trouverez ci-dessous la liste pour chaque pays. Dans certains pays, votre revendeur RYOBI se chargera d'envoyer le produit à un centre de réparation RYOBI. Lorsque vous envoyez un produit à un service après-vente RYOBI, celui-ci doit être correctement emballé, sans contenir aucun produit dangereux tel que de l'essence, et vous devez indiquer votre adresse ainsi qu'une courte description du problème.
- Une réparation / un remplacement sous garantie est gratuit(e). Ceci ne constituera pas une extension de garantie ni un nouveau départ de la période de garantie. Les pièces ou les outils remplacés deviennent notre propriété. Dans certains pays, les frais de port devront être assumés par l'expéditeur. Vos droits statutaires restent inchangés.
- Cette garantie est valable au sein de l'Europe, de la Suisse, de l'Islande, de la Norvège, du Liechtenstein, de la Turquie, de la Russie. En dehors de ces zones, veuillez contacter votre distributeur agréé RYOBI pour déterminer si une autre garantie s'applique.

SERVICE APRÈS-VENTE AGRÉÉ

Pour trouver le service après-vente agréé le plus proche, rendez-vous sur <http://fr.ryobitools.eu/header/service-and-support/service-agents>.



DE RYOBI® GARANTIEBEDINGUNGEN

Zusätzlich zu den gesetzlichen Rechten aus dem Kauf gilt für dieses Produkt die nachstehend aufgeführte Garantie.

- Der Garantiezeitraum beträgt für Verbraucher 24 Monate und beginnt mit dem Datum des Kaufs. Dieses Datum muss durch eine Rechnung oder einen anderen Kaufbeleg dokumentiert werden. Dieses Produkt wurde ausschließlich zur privaten Nutzung durch Verbraucher entwickelt. Für den Fall einer professionellen bzw. kommerziellen Nutzung besteht daher keine Garantie.
- Es besteht die Möglichkeit, für einen Teil des Sortiments der Elektrogeräte (AC/DC) den Garantiezeitraum über den oben genannten Zeitraum hinaus zu verlängern, indem der Verbraucher die Registrierung auf der Website www.ryobitools.eu durchführt. Die Berechtigung der Werkzeuge für die Garantieverlängerung ist deutlich im Geschäft und/oder auf der Verpackung beschrieben und in der Produktdokumentation erwähnt. Der Verbraucher muss das neu erworbene Gerät online innerhalb von 30 Tagen ab dem Kaufdatum registrieren. Der Verbraucher kann das Gerät zwecks Garantieverlängerung in seinem Wohnsitzland/Heimland registrieren, wenn dieses Land auf dem Online-Registrierungsformular aufgeführt ist und die Option gültig ist. Darüber hinaus muss der Verbraucher seine Zustimmung zur Speicherung der Daten geben, die online eingegeben werden müssen, und er muss die allgemeinen Geschäftsbedingungen akzeptieren. Die Bestätigung der Registrierung, die per E-Mail versandt wird, und die Originalrechnung mit dem Kaufdatum gelten als Beleg für die Garantieverlängerung.
- Die Garantie deckt alle Defekte des Geräts während des Garantiezeitraums ab, die auf zum Zeitpunkt des Kaufs bestehende Verarbeitungs- oder Materialfehler zurückzuführen sind. Die Garantie beschränkt sich auf Reparatur und/oder Ersatz und beinhaltet keine anderen Verpflichtungen, insbesondere keinen Schadenersatz für Folge- oder Nebenschäden. Die Garantie gilt nicht, wenn das Gerät fehlerhaft eingesetzt wurde, gegenseitlich zur Bedienungsanleitung eingesetzt wurde oder falsch angeschlossen wurde. Die Garantie gilt nicht für Folgendes:
 - Schäden am Gerät, die auf unkorrekte Wartung zurückzuführen sind
 - Geräte, an denen Veränderungen vorgenommen wurden
 - Produkte, bei denen die ursprüngliche Identifizierung (Handelsmarke, Seriennummer) unleserlich gemacht, verändert oder entfernt wurde
 - Schäden durch Nichtbeachtung der Bedienungsanleitung
 - nicht-CE-zertifizierte Geräte
 - Geräte, an denen durch nicht-qualifizierte Personen oder ohne vorherige Genehmigung von Techtronic Industries Reparaturversuche vorgenommen wurden
 - Geräte, die an unkorrekte Energiequellen (Ampere, Volt, Frequenz) angeschlossen wurden
 - Schäden durch äußere Einflüsse (chemisch, physisch, Stöße) oder Fremdstoffe
 - normaler Verschleiß von Ersatzteilen
 - unangemessene Nutzung, Überlastung des Geräts
 - Nutzung nicht genehmigter Zubehörteile oder Ersatzteile
 - mit dem Gerät gelieferte oder separat erworbene Zubehörteile. Dieser Ausschuss beinhaltet, ist aber nicht beschränkt auf Schraubendreher-Bits, Bohreransätze, Schleifscheiben, Sandpapier und Klingen, Seitenführungen
 - Komponenten (Ersatzteile und Zubehörteile), die natürlichen und normalen Verschleißerscheinungen unterworfen sind, einschließlich aber nicht beschränkt auf: Service- und Wartungssätze, Kohlebürsten, Lager, Spannfutter, SDS-Bohreraufnahme /Bit-Adapter, Netzkabel, Zusatzhandgriff, Transportkoffer, Schleifteller, Staubbeutel, Staubabsaugrohr, Filzunterlegscheiben, Bolzen und Federn von Schlagschraubern usw.
- Zum Service muss das Gerät zu einer von RYOBI autorisierten Servicestation gebracht oder dorthin gesendet werden. Die Servicestationen für die einzelnen Länder sind in der folgenden Liste aufgeführt. In einigen Ländern sendet Ihr RYOBI-Händler vor Ort das Gerät an das RYOBI-Serviceunternehmen. Beim Einsehen an die RYOBI-Servicestation sollte das Gerät sicher verpackt sein, ohne gefährliche Inhalte wie Benzin, und es sollte mit der Adresse des Absenders und einer kurzen Beschreibung des Fehlers versehen sein.
- Eine Reparatur bzw. ein Ersatz gemäß dieser Garantie ist kostenlos. Hieraus ergibt sich weder eine Garantieverlängerung noch der Beginn eines neuen Garantiezeitraums. Die ausgetauschten Ersatzteile oder Werkzeuge gehen in unser Eigentum über. In einigen Ländern müssen die Zustellgebühren oder die Versandkosten vom Absender gezahlt werden. Ihre gesetzlichen Rechte aus dem Kauf des Geräts bleiben hiervon unberührt.
- Diese Garantie gilt in der Europäischen Union, der Schweiz, Island, Norwegen, Liechtenstein, der Türkei und Russland. Bitte wenden Sie sich außerhalb dieser Gebiete an Ihren autorisierten RYOBI-Händler, um festzustellen, ob eine andere Garantie gilt.

AUTORISIERTER KUNDENDIENST

Besuchen Sie <http://de.ryobitools.eu/header/service-and-support/service-agents>, um einen autorisierten Kundendienst in Ihrer Nähe zu finden.

ES CONDICIONES DE APLICACIÓN DE LA GARANTÍA DE RYOBI®

Además de cualquier derecho legal derivado de la compra, este producto está cubierto por una garantía que se indica a continuación.

- El periodo de garantía es de 24 meses para consumidores y comienza a la fecha en que se compra el producto. Dicha fecha debe documentarse con una factura u otro comprobante de compra. El producto está diseñado y concebido únicamente para el uso privado del consumidor. Por lo tanto, no se ofrece garantía en caso de uso profesional o comercial.
- Existe la posibilidad de ampliar el periodo de garantía respecto a una parte de la gama de herramientas eléctricas (CA/CC) durante el periodo descrito más arriba y mediante el registro en el sitio web www.ryobitools.eu. La elegibilidad de las herramientas para que se amplíe el periodo de garantía se muestra claramente en las tiendas o en el embalaje y está incluida en la documentación del producto. El usuario final tiene que registrar en línea sus herramientas recientemente adquiridas en un plazo de 30 días a partir de la fecha de compra. El usuario final podrá registrarse para obtener la garantía ampliada en su país de residencia si este aparece en la lista del formulario de registro en línea cuando esta opción sea válida. Además, los usuarios finales deberán dar su consentimiento al almacenamiento de los datos necesarios para el acceso en línea y tienen que aceptar los términos y condiciones. El recibo de confirmación de registro, que se envía por correo electrónico, y la factura original que muestra la fecha de compra servirán como comprobante para la garantía ampliada.
- La garantía cubre todos los defectos del producto durante el periodo de garantía debido a fallos de mano de obra o material en la fecha de compra. La garantía se limita a la reparación o sustitución y no incluye ninguna otra obligación como, por ejemplo, daños accidentales o consecuentes. La garantía no es válida si se ha usado mal el producto, se ha usado contraviniendo el manual de instrucciones o se ha conectado de forma incorrecta. Esta garantía no es aplicable a:
 - ningún daño en el producto que sea consecuencia de un mantenimiento inadecuado
 - ningún producto que haya sido alterado o modificado
 - ningún producto en el que los marcados de identificación originales (marca comercial, número de serie) se hayan borrado, modificado o eliminado
 - ningún daño provocado por no seguir el manual de instrucciones
 - ningún producto que no sea CE
 - ningún producto que haya sufrido un intento de reparación por parte de un profesional no cualificado o sin la autorización previa de Techtronic Industries.
 - ningún producto conectado a un suministro eléctrico inadecuado (amperios, voltaje, frecuencia)
 - ningún daño causado por influencias externas (químicas, físicas, impactos) o sustancias extrañas
 - desgaste normal de piezas de repuesto
 - uso inadecuado, sobrecarga de la herramienta
 - uso de accesorios o piezas no aprobados
 - Accesorios de herramientas eléctricas proporcionados con la herramienta o comprados por separado. Tales exclusiones incluyen, entre otros, brocas de destornilladores, brocas de taladro, discos abrasivos, papel de lija y cuchillas, y guías laterales
 - Componentes (piezas y accesorios) sujetos a un desgaste natural, que incluyen, entre otros, equipos de servicio y mantenimiento, escobillas de carbono, cojinetes, pinzas, accesorio o recepción de broca de taladro SDS, cable eléctrico, manillar auxiliar, bolsa de transporte, hoja lijadora, bolsa de polvo, tubo de escape de polvo, disco de fieltro, pasadores y resortes de llave de impacto, etc.
- Para su mantenimiento, el producto debe enviarse o presentarse a una estación de servicio de RYOBI autorizada que figure en la siguiente lista de direcciones de estaciones de servicio por países. En algunos países, su distribuidor RYOBI local se responsabiliza de enviar el producto a la compañía de servicio de RYOBI. Cuando se envíe un producto a una estación de servicio de RYOBI, este debe estar empaquetado de forma segura sin contenidos peligrosos como gasolina, marcado con la dirección del remitente y acompañado de una breve descripción del fallo.
- Una reparación / sustitución con esta garantía es gratuita. No constituye una ampliación ni un nuevo comienzo del periodo de garantía. Las piezas o herramientas intercambiadas pasan a ser de nuestra propiedad. En algunos países, los gastos de envío o correo tendrán que pagarlos el remitente. Sus derechos legales derivados de esta compra de la herramienta no se verán afectados.
- Esta garantía es válida en la Unión Europea, Suiza, Islandia, Noruega, Liechtenstein, Turquía y Rusia. Fuera de estas zonas, póngase en contacto con su distribuidor de RYOBI autorizado para determinar si es aplicable otra garantía.

SERVICIO TÉCNICO AUTORIZADO

Para encontrar el servicio técnico autorizado más cercano, visite <http://es.ryobitools.eu/header/service-and-support/service-agents>

IT CONDIZIONI DI VALIDITÀ DELLA GARANZIA RYOBI®

In aggiunta ai diritti di legge risultanti dall'acquisto, il prodotto è coperto dalla garanzia sotto descritta.

- Il periodo di garanzia è di 24 mesi per i consumatori, a decorrere dalla data di acquisto del prodotto. La data deve essere documentata da una fattura o altra prova d'acquisto. Il prodotto è progettato e destinato solo all'utilizzo privato dei consumatori. Pertanto non viene fornita alcuna garanzia in caso di uso professionale o commerciale.
- Per una serie di utensili elettrici (CA/CC) è possibile prolungare il periodo di garanzia oltre quello descritto, registrandosi sul sito web www.ryobitools.eu. Gli utensili per i quali è possibile prolungare il periodo di garanzia sono chiaramente indicati nei negozi e/o sulle confezioni e nella documentazione dei prodotti. L'utente deve registrare online l'utensile acquistato entro 30 giorni dalla data di acquisto. L'utente può registrarsi per la garanzia prolungata nel proprio paese di residenza, se questo è elencato nel modulo di registrazione online dove questa opzione sia valida. Inoltre gli utenti devono fornire il proprio consenso alla conservazione dei dati da immettere online e devono accettare le condizioni generali. La conferma di registrazione, inviata tramite e-mail, e la fattura originale indicante la data di acquisto, costituiscono la prova della garanzia prolungata.
- La garanzia copre tutti i difetti del prodotto durante il periodo di garanzia, risultati da manodopera o materiali alla data di acquisto. La garanzia è limitata alla riparazione e/o sostituzione e non include alcun altro obbligo quali, a mero titolo esemplificativo, i danni incidentali o consequenziali. La garanzia non è valida se il prodotto è stato usato scorrettamente, in modo contrario al manuale di istruzioni o se è stato collegato in modo errato. La garanzia non è valida per:
 - qualsiasi danno al prodotto dovuto a manutenzione errata;
 - qualsiasi prodotto che sia stato alterato o modificato;
 - qualsiasi prodotto le cui marcate di identificazione originali (marchi di fabbrica, numero di serie) siano state cancellate, alterate o rimosse;
 - qualsiasi danno causato dalla non osservanza delle istruzioni del manuale;
 - qualsiasi prodotto privo di omologazione CE;
 - qualsiasi prodotto che sia stato sottoposto a un tentativo di riparazione da parte di un professionista non qualificato oppure senza la previa autorizzazione di Techtronic Industries;
 - qualsiasi prodotto collegato a un'alimentazione errata (per ampere, tensione, frequenza);
 - qualsiasi danno causato da influenze esterne (chimiche, fisiche, urti) o sostanze estranee;
 - la normale usura delle parti di ricambio;
 - uso inappropriato, sovraccarico dell'utensile;
 - uso di accessori o parti non omologate;
 - accessori per utensili elettrici forniti con l'utensile o acquistati separatamente. Questa esclusione comprende, a mero titolo esemplificativo, punte per cacciaviti, punte per trapani, dischi abrasivi, carta vetrata, lame e guide laterali;
 - componenti (parti e accessori) soggetti alla normale usura compresi, a mero titolo esemplificativo, kit di servizio e manutenzione, spazzole al carbonio, cuscinetti, mandrini, attacchi per punte a vite autopoterforante, cavi di alimentazione, maniglie ausiliarie, custodie di trasporto, piastre di levigatura, sacchetti per la polvere, tubi di scarico della polvere, rondelle di feltro, perni e molle per avvitatori ecc.
- Per la manutenzione il prodotto dev'essere spedito o portato presso uno dei centri assistenza autorizzati RYOBI elencati per ogni paese nel seguente elenco di indirizzi dei centri. In alcuni paesi il rivenditore locale RYOBI si incarica di inviare il prodotto all'organizzazione di assistenza RYOBI. Quando si invia un prodotto a un centro assistenza RYOBI, imballarlo in modo sicuro senza contenuti pericolosi come la benzina, apporre l'indirizzo del mittente e accompagnarlo da una breve descrizione del guasto.
- La riparazione/sostituzione ai sensi della presente garanzia è gratuita. Non costituisce un prolungamento o un nuovo inizio del periodo di garanzia. Le parti o gli utensili scambiati diventano di nostra proprietà. In alcuni paesi i costi di consegna o di spedizione postale devono essere pagati dal mittente. I diritti di legge derivanti dall'acquisto dell'utensile rimangono inalterati.
- La presente garanzia è valida in Unione Europea, Svizzera, Islanda, Norvegia, Liechtenstein, Turchia e Russia. Al di fuori di tali aree contattare il rivenditore autorizzato RYOBI per sapere se è valida un'altra garanzia.

CENTRO SERVIZI AUTORIZZATO

Per individuare il più vicino centro servizi autorizzato, visitare il sito <http://it.ryobitools.eu/header/service-and-support/service-agents>.

NL RYOBI® GARANTIEVOORWAARDEN

Naast de wettelijke rechten die voortvloeien uit de aankoop, wordt dit product gedekt door een garantie, zoals hieronder staat vermeld.

- De garantietermijn voor consumenten bedraagt 24 maanden en gaat in op de datum waarop het product is gekocht. Deze datum moet worden gedocumenteerd met een factuur of een ander aankoopbewijs. Het product is uitsluitend ontworpen en bedoeld voor persoonlijk gebruik door consumenten. Er wordt dus geen garantie gegeven voor professioneel of commercieel gebruik.
- Voor een deel van ons aanbod van elektrische gereedschappen (AC/DC) is het mogelijk om de garantietermijn te verlengen over de boven beschreven termijn, met behulp van de website www.ryobitools.eu. De gereedschappen die in aanmerking komen voor de verlenging van de garantietermijn wordt duidelijk weergegeven in winkels en/of verpakkingen en staat beschreven in de productdocumentatie. De eindgebruiker moet zijn/haar nieuw gekochte gereedschappen binnen 30 dagen na aankoop online registreren. De eindgebruiker kan zich registreren voor de verlengde garantietermijn als zijn woonland staat vermeld op het online registratieformulier waar deze optie geldt is. Bovendien moeten eindgebruikers toestemming geven voor de opslag van de gegevens die online ingevuld moeten worden en moeten ze de algemene voorwaarden accepteren. Het ontvangstbewijs van de registratie, dat per e-mail wordt verzonden en de oorspronkelijke factuur met de aankoopdatum vormt het bewijs van de verlengde garantietermijn.
- De garantie dekt tijdens de garantietermijn alle gebreken van het product vanwege defecten in vakmanschap of materiaal op de aankoopdatum. De garantie is beperkt tot reparatie en/of vervanging en bevat geen andere verplichtingen, waaronder maar niet beperkt tot incidentele of gevolgschade. De garantie is niet geldig als het product is misbruikt, in strijd met de gebruiksaanwijzing wordt gebruikt of onjuist is aangesloten. Deze garantie geldt niet voor:
 - alle schade aan het product die het gevolg is van onjuist onderhoud
 - elk product dat is veranderd of aangepast
 - elk product waar de oorspronkelijke identificatie (handelsmerk, serienummer) is beschadigd, gewijzigd of verwijderd
 - alle schade die is veroorzaakt door het niet opvolgen van de gebruiksaanwijzing
 - elk niet-CE-product
 - elk product waar een poging tot reparatie is gedaan door een niet-erkende professional of zonder voorafgaande toestemming door Techtronic Industries.
 - elk product dat is verbonden met een verkeerde voeding (amperage, spanning, frequentie)
 - alle schade die is veroorzaakt door externe invloeden (chemisch, fysisch, schokken) of vreemde stoffen
 - normale slijtage van reserveonderdelen
 - ongepast gebruik, overbelasting van het gereedschap
 - gebruik van niet-goedgekeurde accessoires of onderdelen
 - gereedschapsaccessoires die bij het gereedschap worden geleverd of afzonderlijk zijn aangeschaft. Zulke uitzonderingen bevatten, maar niet beperkt tot schroevendraaierbits, boorbits, slijpschijven, schuurpapier en zagen, laterale geleiding
 - Componenten (onderdelen en accessoires) die onderhevig zijn aan natuurlijke slijtage, waaronder maar niet beperkt tot service-onderhoudsets, koolstofborstels, lagere, boorkoppen, SDS boorbitbevestigingen of ontvangers, stroomsoeren, hulpgrepen, transporttassen, schuurplateaus, stofzakken, stofafvoerbuizen, viltlingen, pennen en veren van slagmoerleutels, etc.
- Voor onderhoud moet het product worden verzonden of gebracht naar een erkend servicestation van RYOBI die voor elk land staan vermeld in de volgende lijst met adressen voor servicestations. In sommige landen zal uw lokale RYOBI-dealer het product verzenden naar de RYOBI-serviceorganisatie. Wanneer u het product naar een servicestation van RYOBI verzendt, moet het product veilig worden verpakt zonder enige gevaarlijke inhoud, zoals benzine, met het adres van de afzender en vergezeld van een korte beschrijving van het defect.
- Een reparatie/vervanging die onder deze garantie valt is gratis. Het vormt geen verlenging of een nieuwe start van de garantietermijn. Verwisselde onderdelen of gereedschappen worden ons eigendom. In sommige landen moeten de verzendkosten door de afzender worden betaald. Uw wettelijke rechten die voortvloeien uit de aankoop van het gereedschap blijven onaangetaast.
- Deze garantie is geldig in de Europese Gemeenschap, Zwitserland, Usland, Noorwegen, Liechtenstein, Turkije en Rusland. Buiten deze gebieden moet u contact opnemen met uw erkende RYOBI-dealer om vast te stellen of er een andere garantie van toepassing is.

GEAUTORISEERD ONDERHOUDSCENTRUM

Om een geautoriseerd onderhoudscentrum in uw buurt te vinden, surf u naar <http://nl.ryobitools.eu/header/service-and-support/service-agents>.

PT CONDIÇÕES DE APLICAÇÃO DA GARANTIA RYOBI®

Para além de quaisquer direitos previstos por lei resultantes da compra, este produto está coberto por uma garantia conforme descrição abaixo.

- O período da garantia é de 24 meses para consumidores particulares e inicia-se na data de compra do produto. Esta data tem de ser documentada por uma factura ou por outra prova de compra. O produto foi concebido para e destina-se apenas a consumidores particulares e uso privado. Assim, não é dada garantia em caso de utilização por profissionais ou uso comercial.
- Para uma parte da gama de ferramentas eléctricas (AC/DC) existe a possibilidade de prolongamento do período da garantia para além do período descrito acima, mediante registo no Web site www.ryobitools.eu. A elegibilidade das ferramentas para prolongamento do período da garantia é claramente visível nas lojas e/ou nas embalagens e está contida na documentação do produto. O utilizador final tem de fazer o registo online das suas ferramentas recém-adquiridas no prazo de 30 dias após a data de compra. O utilizador final pode fazer o registo para prolongamento da garantia no seu país de residência, desde que esteja listado no formulário de registo online e para os casos em que esta opção seja válida. Para além disso, os utilizadores finais têm de autorizar o armazenamento dos dados cujo preenchimento lhes for solicitado online e têm de aceitar os termos e as condições. O recibo de confirmação do registo é enviado por e-mail e, em conjunto com a factura original ostentando a data de compra, servirá de prova do prolongamento da garantia.
- A garantia cobre todos os defeitos do produto durante o período da garantia devidos a defeitos de fabrico ou de material à data da compra. A garantia está limitada à reparação e/ou substituição e não inclui quaisquer outras obrigações, incluindo mas não se limitando a, perdas complementares ou indirectas. A garantia não é válida se o produto tiver sido utilizado incorrectamente, utilizado de forma contrária ao Manual de Instruções ou se as respectivas ligações tiverem sido feitas incorrectamente. Esta garantia não se aplica ao seguinte:
 - quaisquer danos ao produto que sejam resultado de manutenção incorrecta
 - qualquer produto que tenha sido alterado ou modificado
 - qualquer produto cujas marcações de identificação de origem (marca comercial, número de série) tiverem sido apagadas, alteradas ou retradas
 - quaisquer danos causados pelo incumprimento do Manual de Instruções
 - qualquer produto que não seja da Comunidade Europeia
 - qualquer produto ao qual tenha sido feita, ou tentada fazer, uma reparação por outra pessoa que não um profissional habilitado ou sem autorização prévia da Techtronic Industries.
 - qualquer produto ligado a uma fonte de alimentação eléctrica incorrecta (Amperes, Voltagem e Frequência)
 - qualquer dano causado por influências externas (químicas, físicas, impactos) ou substâncias estranhas
 - desgaste e degradação normal de sobresselentes
 - utilização incorrecta, sobrecarga da ferramenta
 - utilização de acessórios ou peças não aprovados
 - acessórios para ferramentas eléctricas fornecidos com a ferramenta ou comprados em separado. Estas exclusões incluem mas não se limitam a, pontas de aparafusadora, brocas, discos abrasivos, papel de lixa e lâminas, guia lateral
 - Componentes (peças e acessórios) sujeitos a desgaste e degradação natural, incluindo mas não se limitando a, Kits de Assistência e Manutenção, escovas de carvão, rolos, bucha, acessórios ou recepções de brocas SDS, cabos eléctricos, peças auxiliares, estojos de transporte, placas de lixagem, sacos de poeiras, tubos de saída de poeiras, anilhas de feltro, pinos e molas da aparafusadora de impacto, etc.
- Para assistência, o produto tem de ser enviado para, ou apresentado em, um posto de assistência autorizado RYOBI, conforme listado para cada país na lista de moradas de postos de assistência seguinte. Nalguns países, o seu concessionário RYOBI local encarrega-se de enviar o produto para a organização de assistência RYOBI. Quando enviar um produto para um posto de assistência RYOBI, o produto deve ser embalado de forma segura, sem conter nenhuns conteúdos perigosos (por exemplo, gasolina), marcado com o endereço do remetente e acompanhado por uma breve descrição da avaria.
- Uma reparação/substituição ao abrigo desta garantia é gratuita. Não constitui um prolongamento a, nem um novo início de, o período da garantia. As peças ou ferramentas substituídas tornam-se propriedade nossa. Nalguns países, o remetente terá de pagar os custos de entrega ou a remessa postal. Os seus direitos previstos por lei resultantes da compra da ferramenta mantêm-se inalterados
- Esta garantia é válida na Comunidade Europeia, Suíça, Islândia, Noruega, Liechtenstein, Turquia e Rússia. Fora destas áreas, entre em contacto com o seu concessionário autorizado RYOBI para determinar se existe outra garantia aplicável.

CENTRO DE ASSISTÊNCIA AUTORIZADO

Para encontrar um centro de assistência autorizado próximo de si, visite <http://pt.ryobitools.eu/header/service-and-support/service-agents>.

DA RYOBI® BETINGELSER FOR GARANTI

Udover lovbestemte rettigheder, som resulterer af købet, er dette produkt dækket af en garanti, som anført herunder.

- Garantiperioden er 24 måneder for forbrugere og begynder på den dato, som produktet blev købt. Denne dato skal dokumenteres af en faktura eller andet bevis for køb. Produktet er udelukkende designet og dedikeret til forbrugere og privat brug. Så der ydes ingen garanti i tilfælde af professionel eller kommerciel brug.
- Der er en mulighed for at forlænge garantiperioden for en del af udvalget af elværktøj (AC/DC), hen over den ovenfor beskrivne periode vha. registrering på hjemmesiden www.ryobitools.eu. Bortsettelse af værktøjet til forlængelse af garantiperioden er tydeligt vist i butikker og/eller på emballage/og indeholdt i produktokumentationen. Slutbrugeren skal registrere hans/hendes nyligt indkøbte værktøj online indenfor 30 dage efter købsdatoen. Slutbrugeren kan registrere sig for den forlængede garanti i sit land, hvis han/hun er opført på den online registreringsformular, hvor denne mulighed er gyldig. Derudover skal slutbrugere give deres samtykke til at opbevare data, som er påkrævet at indtaste online, og de er nødt til at acceptere vilkår og betingelser. Registreringsbekræftelseskvitteringen, som sendes ud på e-mail, og den originale faktura, som viser købsdatoen, vil fungere som bevis for den forlængede garanti.
- Garanti dækker alle defekter, som et produkt måtte have i løbet af garantiperioden, og som skyldes produktionsfejl eller materialefejl på købsdatoen. Garantien er begrænset til reparation og/eller udskiftning og inkluderer ikke andre forpligtelser, inklusiv men ikke begrænset til tilfældige skader eller følgeskader. Garantien er ugyldig, hvis produktet er blevet misbrugt, brugt uden at overholde vejledningen, eller det er blevet forkert tilsluttet. Denne garanti gælder ikke:
 - Beskadigelse af produktet, som er et resultat af uegnet vedligeholdelse
 - Et produkt der er blevet ændret eller modificeret
 - Et produkt hvor de originale identifikationsmærkninger (varemærke, serienummer) er blevet ødelagt, ændret eller fjernet.
 - Enhver beskadigelse forårsaget af manglende overholdelse af vejledningen
 - Ethvert ikke CE-produkt
 - Ethvert produkt som er blevet forsøgt repareret af en ukvalificeret professionel eller uden tidligere autorisation af Techtronic Industries.
 - Ethvert produkt som er tilsluttet uetnet strømforsyning (ampere, spænding, frekvens)
 - Enhver skade forårsaget af ekstern påvirkning (kemisk, fysisk, chok) eller fremmedelementer
 - Normal slid på reservedele
 - Uegnet brug, overbelastning af værktøjet
 - Brug af ikke-godkendt tilbehør eller dele
 - Elværktøjstilbehør som leveres med værktøjet eller købes separat. Sådanne undtagelser inkluderer men er ikke begrænset til skruetrækkerbits, bor, bits, slibeskiver, sandpapir og klinger, sidestyrt
 - Komponenter (dele og tilbehør) som er udsat for naturligt slid og ælde, inklusiv men ikke begrænset til Service- og vedligeholdelsessæt, kulbrøster, lejer, bøsninger, påsætning eller modtagelse af SDS-bor, El ledning, hjælpehåndtag, transporttaske, sandplade, støvpose, støvudstødningslange, filtskiver, nåle og fjedre slagngøle etc.
- For eftersyn skal produktet sendes til eller præsenteres for en RYOBI-autoriseret service værksted, som er oplyst for hvert land i den følgende liste over service værksted adresser. I nogle lande påtager din lokale RYOBI-forhandler sig ansvaret for at sende produktet til RYOBI-serviceorganisationen. Når et produkt sendes til en RYOBI-service værksted, skal det pakkes sikkert ind uden noget farligt indhold som benzin, mærkes med afsenderens adresse og med en kort beskrivelse af fejlen.
- En reparation/erstatning under denne garanti er gratis. Den udgør ikke en forlængelse eller en ny start på garantiperioden. Udvekslede dele eller værktøjer bliver vores ejendom. I nogle lande skal leveringsafgifter eller porto betales af afsenderen. Dine lovbestemte rettigheder i forbindelse med købet forbliver uanfægtede
- Denne garanti gælder i EU, Schweiz, Island, Norge, Liechtenstein, Tyrkiet og Rusland. Udenfor disse områder bedes du kontakte din autoriserede RYOBI-forhandler for at afgøre, om en anden garanti gælder.

AUTORISERED E SERVICE/VERKSTEDER

Find nærmeste autoriserede serviceværksted på <http://dk.ryobitools.eu/header/service-and-support/service-agents>.

SV RYOBI® ANVÄNDNINGSVILLKOR FÖR GARANTI

Förutom eventuella lagstadgade rättigheter som uppstår genom köpet, täcks den här produkten av en garanti som anges nedan.

- Garantiperioden är 24 månader för konsumenter och börjar gälla från det datum då produkten köptes. Detta datum måste dokumenteras på en faktura eller annat köpbevis. Produkten är utformad och avsedd för konsumenter och privat bruk. Därmed tillhandahålls ingen garanti vid yrkesmässigt eller kommersiellt bruk.
- Det finns möjlighet att förlänga garantiperioden för en del av utbudet för elverktyg (AC/DC) under den period som anges ovan genom att använda registreringen på webbplatsen www.ryobitools.eu. De verktyg som är berättigade till en förlängning av garantiperioden visas tydligt i butiker och/eller på förpackningen/och anges i produktdokumentationen. Slut användaren behöver registrera hans/hennes nyförvävade verktyg online inom 30 dagar från köpdatumet. Slut användaren kan registrera sig för den förlängda garantin i det land där han/hon bor om landet finns angivet i registreringsformuläret online och där detta alternativ är giltigt. Dessutom måste slut användaren ge sitt medgivande till lagring av data vilket krävs vid registrering online samt acceptera villkoren. Bekräftelsekvittot för registreringen som skickas ut via e-post och originalfakturan som visas köpdatumet kommer att gälla som bevis för den förlängda garantin.
- Garantin täcker alla produktdefekter under garantiperioden som beror på brister i utförande eller material vid köpdatumet. Garantin är begränsad gällande reparation och/eller utbyte och inkluderar inte några skyldigheter inklusive men inte begränsat till oförutsedda skador eller följskador. Garantin är inte giltig om produkten har missbrukats, använts i strid med bruksanvisningen eller inte anslutits på rätt sätt. Denna garanti täcker inte:
 - eventuella skador på produkten som uppstått till följd av felaktigt underhåll
 - produkter som har ändrats eller modifierats
 - produkter där ursprungliga identifieringsmärkningar (varumärke, serienummer) har målats över, ändrats eller tagits bort
 - eventuella skador som uppstått till följd av att bruksanvisningen inte efterföljts
 - alla icke CE-produkter
 - eventuella produkter som har försöpts repareras av en icke-kvalificerad yrkesman eller utan föregående medgivande från Technronic Industries.
 - eventuella produkter som anslutits till felaktig strömförsörjning (ampere, volt, frekvens)
 - eventuella skador som uppstått till följd av yttre påverkan (kemisk, fysisk, stöt) eller främmande ämnen
 - normalt slitage av reservdelar
 - olämplig användning, överbelastning av verktyget
 - användningen av icke-godkända tillbehör eller delar
 - tillbehör till elverktyg som medföljde verktyget eller köpts separat. Sådana undantag inkluderar men är inte begränsat till skruvmejselbits, borrbits, slipskivor, sandpapper, blad och sidoskena
 - Komponenter (delar och tillbehör) är föremål för naturligt slitage, inklusive men inte begränsat till service- och underhållssatser, kolborstar, kullager, chuck, tillbehör eller tillhörande SDS-borrbitt, strömsladd, hjälphandtag, transportväska, slipplatta, dammpåse, dammtullblåsar, filterbrickor, stift och filtdrår till mutterdragare osv.
- Vid service måste produkten skickas eller uppvisas för en RYOBI- auktoriserad servicestation som står angiven för varje land i följande adresslista över servicestationer. I vissa länder tar din lokala RYOBI- återförsäljare på sig ansvaret att skicka produkten till RYOBI- serviceorganisationen. När en produkt skickas till en RYOBI- servicestation, ska produkten paketeras säkert utan något farligt innehåll såsom bensin, markeras med avsändarens adress samt en kort beskrivning av felet.
- En reparation/ett utbyte under denna garanti är kostnadsfri. Det utgör inte en förlängning eller förnyelse av garantiperioden. Utbyta delar eller verktyg blir vår egendom. I vissa länder måste leveranskostnader eller porto betalas av avsändaren. Dina lagstadgade rättigheter som härrör från köpet av verktyget förblir opåverkade
- Denna garanti är giltig i Europeiska gemenskapen: Schweiz, Island, Norge, Liechtenstein, Turkiet och Ryssland. Utanför dessa länder, kontakta din auktoriserade RYOBI-återförsäljare för att avgöra om en annan garanti gäller.

AUKTORISERAT SERVICECENTER

Du hittar närmaste auktoriserade servicecenter genom att gå till <http://se.ryobitools.eu/header/service-and-support/service-agents>.

FI RYOBI®-TAKUUN SOVELTAMISEHDOT

Tällä tuotteella on oston luomien lakisäästeisten oikeuksien ohella alla mainitun mukainen takuu.

- Takuun kesto on kuluttajille 24 kuukautta ja takuuaika alkaa tuotteen ostohetkestä. Tämän päivämäärän tulee lukea laskussa tai muussa ostotositteessa. Tuote on suunniteltu ja tarkoitettu vain kuluttajien ja yksityiseen käyttöön. Takuu ei siis kata ammatti- eikä kaupallista käyttöä.
- Joidenkin sähkötyökalujen (AC/DC) takuun kesto on mahdollista laajentaa yllä mainittua kestoä pidemmäksi verkkosivuston www.ryobitools.eu rekisteröinnin kautta. Työkalujen kelppisuutta takuujakson laajennukseen näkyy selkeästi myymälöissä ja/tai pakkauksissa ja/ tai tämä tieto sisältyy tuotedokumentaation. Loppukäyttäjän täytyy rekisteröidä vasta hankitut työkalut internetissä 30 päivän kuluessa ostopäivämäärästä. Loppukäyttäjät voi rekisteröidä laajennettun takuun kotimaassaan, jos se on luetteluna online-rekisteröintilomakkeessa, jossa mainitaan, missä tämä vaihtoehto on voimassa. Loppukäyttäjien täytyy lisäksi hyväksyä tietojen tallennus, jotka heidän täytyy antaa online-tilassa sekä ehdot. Rekisteröinnin vahvistuskuitti, joka lähetetään sähköpostitse, ja alkuperäinen ostopäivämäärän ilmaiseva lasku toimivat laajennettun takuun tositteina.
- Takuu kattaa kaikki tuotteeseen takuuaikana tulevat viat, joiden aiheuttajina ovat tuotteessa ostopäivänä olleet valmistus- tai materiaali viat. Takuu on rajoitettu korjaukseen ja/tai vaihtoon eikä se sisällä mitään mallia velvoitteita mukaan lukien satunnais- ja seuranaisvaihinkoja, mutta rajoittumatta niihin. Takuu ei päde, jos tuotetta on käyretty väärin, käyttöohjeen vastaisesti tai jos se on liitetty virheellisesti. Tämä takuu ei kata:
 - virheellisestä huollosta johtuvia vaurioita
 - muunnettua tai muutettua tuotetta
 - tuotetta, jonka alkuperäiset tunnistemerkinnät (tavaramerkki, sarjanumero) on turmeltu, muutettu tai poistettu
 - tämän käyttöoppaan laiminlyönnistä johtuvia vaurioita
 - ei-CE-tuotetta
 - tuotetta, jota on yrittänyt korjata epäpätevä ammattilainen tai joka on korjattu ilman Technronic Industriesin ennakkolupa.
 - tuotetta, joka on liitetty virheelliseen teholähteeseen (ampeirit, jännite, taajuus)
 - ulkoisten vaikutusten (kemiallinen, fyysinen, iskut) tai vieraiden aineiden aiheuttamaa vauriota
 - normaaleja kuluvia vaurioita
 - virheellistä käyttöä, työkalun ylikuormitusta
 - ei-hyväksytyjen tarvikkeiden tai osien käyttöä
 - sähkötyökalun tarvikkeita, jotka on toimitettu työkalun mukana tai ostettu erikseen. Poissuljettuja osia ovat ruuvausterät, poranterät, hiomalaikat, hiekkapaperi ja terät, sivuohjain, näihin kuitenkaan rajoittumatta
 - Luonnollisesti kuluvia komponentteja (osia tai tarvikkeita), joihin sisältyvät huolto- ja kunnossapitosetit, hiilihaarjat, laakerit, terästäikat, SDS-porien kiinnittin tai istukka, virtajohto, apukahva, kuljetuskotelo, hiomalaikka, pölypussi, pölynpoistoputki, huopatiivisteet, iskunvääntimen pultit ja jouset yms. näihin kuitenkaan rajoittumatta.
- Tuote on lähetettävä huollettavaksi valtuutettuun RYOBI-huoltoon tai näytettävä siellä. Niiden osoitteet kussakin maassa löytyvät seuraavasta luettelosta. Joissakin maissa paikallinen RYOBI-jälleenmyyjä huolehtii tuotteen lähetyksestä RYOBI-huolto-organisaatioon. Kun tuote lähetetään RYOBI-huoltoon, se täytyy pakata hyvin ilman vaarallisia aineita, kuten polttoainetta, ja pakkaukseen täytyy merkitä lähettäjän nimi sekä vain lyhyt kuvaus.
- Takuun kattama korjaus/vaihto on maksuton. Se ei tarkoita takuuaajan laajennusta tai alkamista alusta. Vaihdetut osat tai työkalut siirtyvät valmistajan omistukseen. Joissakin maissa lähettäjän täytyy maksaa lähetyuskustannukset tai postikulut. Työkalun oston luomat lakisäästeiset oikeudet pysyvät koskemattomina
- Tämä takuu on voimassa Euroopan yhteisössä, Sveitsissä, Islannissa, Norjassa, Liechtensteinissä, Turkissa ja Venäjällä. Ota näiden alueiden ulkopuolella yhteyttä omaan valtuutettuun RYOBI-jälleenmyyjään ja selvitä, onko jotain muuta takuuta.

VALTUUTETTU HUOLTO

Voit etsiä lähimmän valtuutetun huollon sivulta <http://fi.ryobitools.eu/header/service-and-support/service-agents>.

NO RYOBI® GARANTIBETINGELSER

I tillegg til eventuelle lovbestemte rettigheter som følger av kjøpet, er dette produktet dekket av en garanti som angitt nedenfor.

1. Garantiperioden er 24 måneder for konsumenter og gjelder fra den datoen som produktet ble kjøpt. Denne datoen skal dokumenteres med en faktura eller annet kjøpsbevis. Produktet er designet og beregnet kun til konsument- og privat bruk. Så det gis ingen garanti ved profesjonell eller kommersiell bruk.
2. For en del av utvalget av elektriske verktøy (AC/DC) er det mulighet til å utvide garantiperioden i den perioden som er beskrevet ovenfor ved bruk av registreringer på nettsidene www.ryobitools.eu. Kvalifisering av verktøyene for en utvidelse av garantiperioden er tydelig vist i butikker og/eller på pakningen / og finnes innen produktdokumentasjonen. Sluttbrukeren må registrere sine nylig anskaffede verktøy online innen 30 dager etter kjøpsdato. Sluttbrukeren kan registrere seg for den utvidede garantien i sitt land hvis det er opplistet på online registreringsskjemaet der dette alternativet er gyldig. Videre må sluttbrukere gi sitt samtykke til oppbevaring av dataene som kreves for å gå online, og de må godta vilkår og betingelser. Registreringsbekreftelsen, som sendes ut på e-post, og den originale fakturaen som viser kjøpsdato, vil tjene som bevis for den utvidede garantien.
3. Garantien dekker alle defekter i produktet under garantiperioden på grunn av defekter i utførelse eller materiale på kjøpsdato. Garantien er begrenset til å reparere og/eller erstatte og inkluderer ikke noen andre forpliktelser, inkludert, men ikke begrenset til, tilfældige eller følgesmessige skader. Garantien er ikke gyldig hvis produktet har blitt misbrukt, brukt på annen måte enn det som beskrives i bruksanvisningen eller er koblet til på feil måte. Denne garantien gjelder ikke for:
 - enhver skade på produktet som er resultat av utlittrekkelig vedlikehold
 - ethvert produkt som har blitt endret eller modifisert
 - ethvert produkt der de originale identifiseringsmerkene (varemerke, serienummer) har blitt uleselig, er endret eller fjernet
 - enhver skade som forårsakes av ikke-overholdelse av instruksjonshåndboken
 - ethvert ikke-CE-produkt
 - ethvert produkt som har blitt forsøkt reparert eller av en ikke-kvalifisert fagperson eller uten tidligere autorisasjon fra Techtronic Industries.
 - ethvert produkt tilkoblet feil strømforsyning (ampere, spenning, frekvens)
 - enhver skade som er forårsaket av eksterne påvirkninger (kjemiske, fysiske, støt) eller fremmede stoffer
 - normal slitasje og sliteservervedler
 - feil bruk, overbelastning av verktøyet
 - bruk av ikke-godkjent tilbehør eller deler
 - Elektrisk verktøytilbehør levert med verktøyet eller kjøpt separat. Slike ekskluderinger, inkludert, men ikke begrenset til skrutrekkkerbits, drillbits, slipedisker, sandpapir og blader, lateral føring
 - Komponenter (deler og tilbehør) som er utsatt for naturlig slitasje, inkludert, men ikke begrenset til service- og vedlikeholdssett, karbonborster, lagre, chuck, SDS-borrbifeste eller -mottak, strømledning, hjelpehåndtak, transportbæreevke, sandingsplate, støvpose, støvutslippsrør, filtpakninger, støtnøkkelpinner og fjær, osv.
4. For service må produktet sendes eller fremlegges for en RYOBI-autorisert servicestasjon opplistet for hvert land i den følgende listen over servicestasjonsadresser. I noen land sender den lokale RYOBI-forhandleren produktet til RYOBI serviceorganisasjonen. Ved å sende et produkt til en RYOBI servicestasjon skal produktet være sikkert pakket uten noe farlig innhold, slik som bensin, merket med senderens adresse og fulgt av en kort beskrivelse av feilen.
5. En reparasjon/erstatning under denne garantien er gratis. Den utgjør ingen forlengelse eller ny start av garantiperioden. Utvekslede deler eller verktøy blir vår eiendom. I noen land vil leveringskostnader eller frankering måtte betales av senderen. Dine lovbestemte rettigheter som oppstår fra kjøp av verktøyet forblir uberørt.
6. Denne garantien er gyldig i EU, Sveits, Island, Norge, Liechtenstein, Tyrkia og Russland. Utenfor disse områdene ta kontakt med din autoriserte RYOBI-forhandler om en annen garanti gjelder.

AUTORISERT SERVICESENTER

For å finne et autorisert servicesenter i nærheten, gå til <http://no.ryobitools.eu/header/service-and-support/service-agents>.

RU УСЛОВИЯ ПРИМЕНЕНИЯ ГАРАНТИИ НА ПРОДУКЦИЮ RYOBI®

Помимо законных прав, возникающих при покупке, данное изделие покрывается гарантией в соответствии с приведенными ниже пунктами.

1. Гарантийный период для покупателя составляет 24 месяца с даты покупки изделия. Дата покупки должна быть подтверждена полностью заполненным гарантийным талоном и чеком о покупке. Данное изделие предназначено только для частного использования покупателем. Поэтому гарантия не распространяется на использование в профессиональных или коммерческих целях.
2. Предусмотрена возможность продления для части изделий линейки электроинструментов (AC/DC) гарантийного периода с помощью регистрации на сайте www.ryobitools.eu. Право инструмента на продление гарантийного периода четко указано в магазинах и / или на упаковке / и содержится в сопутствующей инструменту документации. Конечный пользователь должен зарегистрировать свой приобретенный инструмент в течение 30 дней с даты покупки. Конечный пользователь может зарегистрировать свой инструмент на продление гарантии в стране своего проживания, если она указана в форме онлайн-регистрации. Кроме того, конечный пользователь должен дать свое согласие на хранение данных, которые необходимо ввести в онлайн-форму и принять правила и условия. Подтверждение регистрации, которое вы получите по электронной почте, заполненный гарантийный талон и оригинальный чек, в котором указана дата покупки, будут служить доказательством продленной гарантии.
3. Гарантия покрывает в течение гарантийного периода все дефекты качества или материала изделия на дату покупки. Гарантия ограничена ремонтом и / или заменой и не включает никакие другие обязательства, включая, но не ограничиваясь случайными или косвенными убытками. Гарантия становится недействительной, если изделие использовалось не по назначению, вопреки инструкциям, данным в Руководстве пользователя или было неправильно подключено. Настоящая гарантия не распространяется на:
 - любые повреждения изделия в результате неправильного технического обслуживания или недостаточного ухода за инструментом
 - любые изделия, подвергшиеся изменениям и модификации
 - любые изделия, оригинальные идентификационные отметки которого (торговая марка, серийный номер) были повреждены, изменены или удалены
 - любые повреждения, вызванные несоблюдением инструкций Руководства пользователя
 - любые изделия, не сертифицированные маркировкой "CE" для продажи в Европейском союзе
 - любые изделия, подвергшиеся попыткам ремонта неквалифицированным работником или без предварительного утверждения компанией Techtronic Industries.
 - любые изделия, подключенные к неправильному источнику питания (сила тока, напряжение, частота)
 - любые повреждения, вызванные внешними воздействиями (химические, физические, удары) или посторонними веществами
 - естественный износ запасных деталей
 - несоответствующее использование, перегрузка инструмента
 - использование неутвержденных аксессуаров и неофициальных запасных деталей
 - аксессуары электроинструментов, поставляемые с инструментом или приобретаемые отдельно. К этому списку относятся, но не исчерпывают его: сверла шуруповертов, дрели, абразивные диски, наждачная бумага, лезвия и боковые направляющие компоненты (детали и аксессуары), подверженные естественному износу и разрыву, включая, но не ограничиваясь наборы для технического обслуживания, угольные щетки, подшипники, патроны, переходники SDS, кабели питания, дополнительные ручки, футляры для транспортировки, шифовальные подошвы, пылесборники, трубки для отвода пыли, войлочные шайбы, штыри и пружины ударных ключей и др.
4. Для проведения технического обслуживания изделие следует направлять в авторизованные сервисные центры RYOBI, указанные для каждой страны в приведенном ниже списке адресов станций сервисного обслуживания. В некоторых странах местные дилеры RYOBI отправляют изделия в сервисные организации RYOBI. При отправке изделия в сервисный центр RYOBI, изделие должно быть безопасно упаковано и не содержать никаких опасных веществ, таких как бензин, должен быть подписан адрес отправителя и сопровождаться кратким описанием неисправности.
5. Ремонт / замена проводится в рамках настоящей гарантии бесплатно. Он не продлевает гарантию и не начинает новый гарантийный период. Заменяемые детали и инструменты становятся нашей собственностью. В некоторых странах отправитель должен оплачивать стоимость отправки. Ваши законные права, возникшие при покупке инструмента, остаются неизменными.
6. Данная гарантия действительна в Европейском Союзе, Швейцарии, Исландии, Норвегии, Лихтенштейне, Турции и России. Вне указанных территорий обращайтесь к своему авторизованному дилеру RYOBI, чтобы узнать, применяются ли условия каких-либо других гарантий.

УПОЛНОМОЧЕННЫЙ СЕРВИСНЫЙ ЦЕНТР

Чтобы найти ближайший уполномоченный сервисный центр, обратитесь к веб-сайту <http://ru.ryobitools.eu/header/service-and-support/service-agents>.

PL WARUNKI GWARANCJI RYOBI®

Oprócz praw ustawowych wynikających z zakupu produkt jest objęty gwarancją, której warunki podano poniżej.

1. Okres gwarancyjny wynosi 24 miesiące dla konsumentów i rozpoczyna się w dniu zakupu produktu. Datę zakupu należy udokumentować fakturą lub innym dowodem zakupu. Produkt został zaprojektowany i jest przeznaczony do użytku konsumenckiego i prywatnego. W związku z tym gwarancja nie obejmuje zastosowań profesjonalnych i komercyjnych.
2. Istnieje możliwość wydłużenia okresu gwarancyjnego dla części asortymentu narzędzi ręcznych z napędem mechanicznym (AC/DC) poprzez zarejestrowanie produktu na stronie internetowej www.ryobitools.eu. Kwalifikowalność narzędzi do wydłużenia okresu gwarancyjnego jest wyraźnie określona w sklepach i/lub na opakowaniu oraz w dokumentacji produktu. Użytkownik końcowy musi zarejestrować nowo kupione narzędzia online w ciągu 30 dni od daty zakupu. Użytkownik końcowy może zarejestrować się w celu przedłużenia gwarancji w swoim kraju zamieszkania, jeżeli jest on wymieniony w formularzu rejestracji online, gdzie opcja ta obowiązuje. Ponadto użytkownicy końcowi muszą wyrazić zgodę na przechowywanie danych, wprowadzanych na stronie internetowej i zaakceptować regulamin. Dowodem wydłużenia gwarancji jest wysłane pocztą elektroniczną potwierdzenie rejestracji i oryginał faktury potwierdzającej datę zakupu.
3. Gwarancja obejmuje wszystkie wady produktu ujawnione w okresie gwarancyjnym wynikające usterek wykonania lub materiału obecnego w dniu zakupu. Gwarancja jest ograniczona do naprawy i/lub wymiany i nie obejmuje żadnych innych zobowiązań, w tym między innymi odpowiedzialności za szkodę przypadkową lub wtórne. Gwarancja nie obowiązuje, jeżeli produkt był nieprawidłowo używany, używany niezgodnie z instrukcją lub nie był prawidłowo podłączony. Gwarancja nie obejmuje:
 - uszkodzenia produktu wynikającego z nieprawidłowej konserwacji,
 - produktu, który został zmieniony lub zmodyfikowany,
 - produktu, którego oryginalne oznaczenie (znak towarowy, numer seryjny) zostało zniszczone, zmienione lub usunięte,
 - jakichkolwiek uszkodzeń wynikających z nieprzestrzegania instrukcji,
 - jakiegokolwiek produktu bez certyfikatu CE,
 - jakiegokolwiek produktu, który próbowano naprawić z pomocą niewykwalifikowanej osoby lub bez uzyskania wcześniejszej zgody firmy Techtronic Industries.
 - jakiegokolwiek produktu podłączonego nie prawidłowego źródła zasilania (nieprawidłowe napięcie prądu, napięcie, częstotliwość),
 - jakichkolwiek uszkodzeń spowodowanych wpływem czynników zewnętrznych (chemicznych, fizycznych, drgań) lub substancji obcych,
 - normalnego zużycia części zamiennych,
 - nieprawidłowego użycia, przeciążenia narzędzia,
 - stosowania niezatwierdzonych akcesoriów lub części,
 - akcesoriów narzędzi ręcznych z napędem mechanicznym dostarczonych z narzędziem lub kupionych oddzielnie. Takie wykluczenia obejmują, między innymi, wymienne ostrza wkrętaka, wiertła, tarcze cierne, papier ścierny i ostrza, prowadnicę boczną.
 - elementów (części i akcesoriów) podlegających naturalnemu zużyciu obejmujących, między innymi, zestawy do konserwacji i serwisu, szczotki węglowe, łożyska, uchwyty, przystawkę wiertła SDS, gniazdo, przewód zasilania, uchwyty pomocnicze, skrzynię transportową, płytę szlifierską, worek pyłowy, rurę odprowadzania pyłu, podkładki filcowe, kolki i sprężyny klucza udarowego itp.
4. W celu serwisowania produkt należy wysłać lub okazać w autoryzowanym punkcie serwisowym RYOBI znajdującym się na przedstawionym poniżej wykazie punktów serwisowych w poszczególnych krajach. W niektórych krajach lokalny dystrybutor produktów RYOBI podejmuje się wysyłki produktu do centrum serwisowego RYOBI. W przypadku wysyłki do punktu serwisowego RYOBI produkt — pozbawiony jakichkolwiek niebezpiecznych substancji, na przykład benzyny — należy bezpiecznie zapakować i dołączyć adres nadawcy oraz krótki opis usterek.
5. Naprawa/wymiana w ramach niniejszej gwarancji jest bezpłatna. Nie stanowi jednak o przedłużeniu lub rozpoczęciu od nowa biegu okresu gwarancyjnego. Wymienione części lub narzędzia stają się naszą własnością. W przypadku niektórych krajów nadawca będzie musiał uregulować koszty dostawy lub opłaty pocztowe. Prawa ustawowe wynikające z zakupu narzędzia pozostają niezmienione.
6. Niniejsza gwarancja obowiązuje w Unii Europejskiej, Szwajcarii, Islandii, Norwegii, Liechtensteinie, Turcji i Rosji. Poza tymi obszarami należy skontaktować się z autoryzowanym dostawcą produktów RYOBI i ustalić, czy obowiązuje inna gwarancja.

AUTORYZOWANY PUNKT SERWISOWY

Najbliższy autoryzowany punkt serwisowy można wyszukać w witrynie internetowej <http://pl.ryobitools.eu/header/service-and-support/service-agents>.

CS ZÁRUČNÍ PODMÍNKY RYOBI®

Kromě zákonných práv vyplývajících z koupě výrobku se na tento výrobek vztahuje také níže uvedená záruka.

1. Záruční doba pro spotřebitele je 24 měsíců a začíná datem nákupu výrobku. Datum musí být zaznamenáno na fakturě nebo jiném dokladu o koupi. Tento výrobek je navržen a určen pouze pro soukromé účely spotřebitelů. Záruka se tedy nevztahuje na profesionální nebo komerční využití výrobku.
2. U některých elektrických nástrojů (AC/DC) je možné záruční dobu prodloužit. K tomu je nutná registrace na stránkách www.ryobitools.eu. Možnost prodloužení záruční doby výrobků je jasně uvedena v prodejních, popř. na obalech nebo v dokumentech o výrobku. Koncový uživatel musí svůj nový nástroj zaregistrovat online do 30 dnů od data nákupu. Koncový uživatel se může k prodloužení záruční doby zaregistrovat v zemi trvalého pobytu, pokud je tato uvedena na internetovém registračním formuláři u výrobku, kde je tato možnost dostupná. Koncový uživatel musí dále souhlasit s uložením osobních údajů, která musí zadat na internetu, a přijmout obchodní podmínky. E-mail s původní registrací a původní faktura s datem koupě poslouží jako důkaz o prodloužení záruce.
3. Záruka se vztahuje na veškeré vady na výrobku v rámci záruční doby způsobené výrobními vadami nebo vadami materiálu v době koupě. Záruka je omezena na opravu, popřípadě výměnu a nezahrnuje žádná další povinnosti, včetně mimo jiné vedlejších či následných odškodnění. Záruka neplatí při použití výrobku k nevhodným účelům, v rozporu s uživatelskou příručkou nebo při nesprávném zapojení. Záruka se nevztahuje na:
 - veškeré škody na výrobku způsobené nesprávnou údržbou
 - veškeré produkty, které byly pozměněny nebo upraveny
 - veškeré produkty, kde byly původní identifikační prvky (obchodní značka, sériové číslo) poničeny, pozměněny nebo odstraněny
 - veškeré škody způsobené nedodržením pokynů uživatelské příručky
 - veškeré produkty bez CE certifikace
 - veškeré výrobky, které se pokusil opravit nekvalifikovaný odborník nebo opravy bez předchozího svolení společnosti Techtronic Industries.
 - veškeré produkty zapojené do nesprávného elektrického zdroje (proud, napětí, frekvence)
 - veškeré škody způsobené externími vlivy (chemickými, fyzickými, nárazy) nebo cizími látkami
 - běžné opotřebování dílů
 - nevhodné použití, přetěžování nástroje
 - použití neschválených příslušenství nebo dílů
 - příslušenství k elektrickému nástroji poskytnuté s nástrojem nebo zakoupené samostatně. Tyto výjimky se vztahují mimo jiné na šroubovací bity, vrtáky, brusné disky, brusný papír a čepele, postranní vodič lišty
 - komponenty (díly a příslušenství) podléhající přirozenému opotřebování, včetně mimo jiné servisních sad, karbonových kartáčů, ložisek, sklíčidla, SDS nástavce na vrtací bity, napájecího kabelu, pomocné rukojeti, přepravního pouzdra, brusné desky, prachového vaku, výfukové prachové trubice, plstěných podložek, západek a pružin rážového utahávkového atd.
4. K provedení servisu musí být výrobek zaslán nebo předán do autorizovaného servisního centra společnosti RYOBI, jejichž adresy jsou uvedeny podle země v seznamu servisních center. V některých zemích z vás výrobek pošle servisní organizaci RYOBI sám prodejce výrobků této značky. Při zasílání výrobku do servisního centra RYOBI je potřeba výrobek bezpečně zabalit bez nebezpečného obsahu jako benzín, opatřit adresou odesílatele a přiložit krátký popis závady.
5. Oprava, popř. výměna v rámci této záruky je zdarma. Neznamená to prodloužení nebo začátek nové záruční lhůty. Vyměněné díly nebo nástroje přejdou do našeho vlastnictví. V některých zemích platí poštovné odesílatele. Vaše zákonná práva vyplývající z koupě tohoto nástroje zůstávají nedotčena.
6. Tato záruka platí v Evropském Společenství, Švýcarsku, Norsku, Lichtenštejnsku, Turecku, Rusku a na Islandu. Mimo tuto území kontaktujte autorizovaného prodejce značky RYOBI, který zjistí, zda se na výrobek vztahuje jiná záruka.

POVĚŘENÉ SERVISNÍ STŘEDISKO

Pro nalezení nejbližšího pověřeného servisního střediska navštivte <http://cz.ryobitools.eu/header/service-and-support/service-agents>.

HU A RYOBI® GARANCIA ALKALMAZÁSÁNAK FELTÉTELEI

A vásárlásból adódó törvényben rögzített jogok mellett a termékre az alábbi garancia vonatkozik.

1. A fogyasztói garancia tartama 24 hónap, mely a termék vásárlásának napjával kezdődik. Ezt a dátumot számlával vagy a vásárlást igazoló egyéb dokumentummal kell bizonyítani. A termék rendeltetése csak fogyasztói és magáncéllú használattal. Ezért professzionális vagy kereskedelmi használat esetén a garancia nem érvényes.
2. A szerszámgépek (egyenáramú/váltóáramú) egy részénél a garancia időtartama a www.ryobitools.eu weblapon regisztrálva meghosszabbítható. Az áruházakban, a csomagolásban, illetve a termék dokumentációjában egyértelműen jelezzük, hogy az adott termék garanciája meghosszabbítható-e. A végfelhasználónak a vásárlás dátumától számított 30 napon belül regisztrálnia kell az újonnan vásárolt szerszámot. A végfelhasználó akkor regisztrálhat a kiterjesztett garanciára, ha az ország, ahol lakik, fel van sorolva az online regisztrációs űrlapon azon országok között, ahol választható ez az opció. Ezenkívül a végfelhasználónak bele kell egyeznie az online regisztrálás során szükséges adatok tárolásába, és el kell fogadnia a felhasználási feltételeket. A kiterjesztett garanciát a regisztráció beérkezésétől e-mailben küldött visszaigazolás és a vásárlás dátumát tartalmazó eredeti számla igazolja.
3. A garancia a termék vásárlásakor fennálló, a gyártás során keletkezett hibákra és anyaghibákra érvényes a garanciális időtartamon belül. A garancia csak a javításra/cserére korlátozódik, és nem terjed ki semmilyen egyéb kötelezettségre, nem kizárólagosan ideértve a véletlen vagy szándékos rongálást. A garancia nem érvényes, ha a terméket nem megfelelően, a használati utasításban foglaltakkal ellentétben, illetve nem megfelelően csatlakoztatva használták. A garancia nem vonatkozik:
 - a terméket a nem megfelelő karbantartás következtében ért károsodásra
 - megváltoztatott vagy átalakított termékre
 - olyan termékre, melyen az eredeti azonosítókat (védjegy, sorozatszám) megrongálták, megváltoztatták vagy eltávolították
 - a használati utasítás be nem tartásából eredő kárra
 - CE jelöléssel nem rendelkező termékekre
 - olyan termékre, melyet nem képzett, illetve a Techtronc Industries által nem fejlesztett szerelvény javított
 - nem megfelelő (áramerősségű, feszültségű, frekvenciájú) áramforrásra csatlakoztatott termékre
 - külső (fizikai, ütés) hatásokból vagy idegen anyagokból eredő károkkra
 - a cserélhető alkatrészek természetes kopására és elhasználódására
 - a szerszám helytelen használatára, túlterhelésére
 - nem jóváhagyott tartozékok és alkatrészek használatára
 - A szerszámmal adott vagy külön megvásárolt tartozékokra. Ilyenek például (de nem kizárólag) a csavarhűzőfejek, fűrészárak, csiszolókorongok, csiszolópapír, kések, oldalirányú terelők.
 - A természetes kopásnak, elhasználódásnak kitett alkatrészek és kiegészítők, például (de nem kizárólag) szerviz- és karbantartókészletek, szénkefék, csapágyak, tokmány, SDS fűrészár csatlakozója, tápkábel, segédfogantyú, szállítók, csiszolólap, porzsák, porvezető cső, ficalátétek, ütőműves csavarbehajtó gép csapszege és rugója stb.
4. A terméket javításra el kell vinni egy meghatalmazott RYOBI szervizbe; ezeket az egyes országokhoz a következő listában találja. Egyes országokban a helyi RYOBI kereskedő vállalja a termék elszállítását a RYOBI szervizbe. A terméket veszélyes tartalom, például benzín nélkül csomagolja, a feladó címét feltüntetve, a hiba rövid leírásával együtt küldje el a RYOBI szervizbe.
5. A jelen garancia hatálya alatt végzett javítás, illetve csere ingyenes. Nem jelenti a garanciális időtartam újraindulását. A kicserélt alkatrészek és szerszámok a mi tulajdonunkba kerülnek. Egyes országokban a szállítás vagy postázás költségét a feladó viseli. A vevőnek a szerszám megvásárlásából adódó törvényes jogai nem változnak.
6. Jelen garancia az Európai Közösségben, Svájcban, Izlandon, Norvégiában, Liechtensteinben, Törökországban és Oroszországban érvényes. E területeken kívül kérdezze meg a RYOBI forgalmazót, hogy milyen garancia van érvényben.

HIVATALOS SZERVIZKÖZPONT

A legközelebbi hivatalos szervizközpont megtalálásához látogasson el a <http://hu.ryobitools.eu/header/service-and-support/service-agents>.

RO CONDIȚII DE APLICARE A GARANȚIEI PENTRU PRODUSELE RYOBI®

În plus față de condițiile statutare rezultate din achiziționarea acestui produs, acesta este acoperit de garanția stipulată mai jos.

1. Perioada de garanție este de 24 de luni pentru consumatori și începe de la data achiziționării produsului. Data de începere a garanției trebuie demonstrată cu o factură sau altă dovadă a cumpărării produsului. Produsul este destinat și conceput doar pentru utilizare în scopuri personale. Din acest motiv, nu se oferă garanție pentru utilizarea sa în scop profesional sau comercial.
2. Există posibilitatea de extindere a perioadei de garanție pentru gama de unelte electrice (de CA/CC) peste perioada stipulată mai sus prin înscrierea produsului pe [website-ul www.ryobitools.eu](http://www.ryobitools.eu). Eligibilitatea pentru perioada de extindere a garanției este afișată în mod clar în magazinele de vânzare și/sau pe ambalaj sau este inclusă în documentația livrată împreună cu produsul. Utilizatorul final este obligat să-și înregistreze produsul online în termen de maxim 30 de zile de la data achiziției acestuia. Utilizatorul final poate înregistra produsul pentru garanția extinsă oferită în țara sa de rezidență dacă aceasta este listată în formularul de înregistrare online și dacă această opțiune este validă. În plus, utilizatorul final trebuie să-și dea acordul pentru stocarea datelor personale solicitate la înregistrarea online și trebuie să accepte termenii și condițiile. Mesajul de confirmare a înregistrării, trimis prin e-mail și factura originală cu data achiziției vor dovedi perioada de garanție extinsă.
3. Garanția acoperă toate defecțiunile produsului survenite în perioada de garanție datorate defectelor de execuție sau materialelor folosite, începând cu data achiziției acestuia. Garanția este limitată la reparare și/sau înlocuire și nu include alte obligații, inclusiv, dar fără a se limita la daune accidentale sau rezultate pe cale de consecință. Garanția își pierde valabilitatea dacă produsul este utilizat necorespunzător, utilizat neconform cu instrucțiunile de utilizare din manualul cu instrucțiuni sau conectat incorect. Garanția nu se aplică în cazul:
 - oricărei defecțiuni survenite în urma întreținerii necorespunzătoare a produsului
 - oricărui produs alterat sau modificat
 - oricărui produs la care inscripțiile cu datele de identificare (marca comercială, numărul de serie) au fost șterse, modificate sau îndepărtate
 - oricărei defecțiuni datorate neconformării cu instrucțiunile din manualul de utilizare
 - oricărui produs necertificat CE
 - oricărui produs asupra căruia au fost efectuate tentative de reparare de către personal necertificat sau fără autorizație prealabilă din partea Techtronc Industries.
 - oricărui produs conectat la o sursă de alimentare necorespunzătoare (curent, tensiune, frecvență)
 - oricărui defecțiuni datorate unor influențe externe (chimice, fizice, socuri) sau substanțe străine
 - uzurii și fisurării normale a pieselor de rezervă
 - utilizării neadecvate, suprasolicitării uneltei
 - utilizării de piese și accesorii neaprobate
 - accesorilor pentru unelte furnizate odată cu acestea sau achiziționate separat. Acestea excluderă se aplică, dar fără a se limita la următoarele: burghie, biți de șurubelniță, discuri abrazive, hărte abrazive și lame de tăiere, ghidaje laterale
 - Componentele (piese și accesorii) supuse uzurii normale, care includ, fără a se limita la, kituri de întreținere și service, perii de carbon, rulmenți, mandrină, adaptor pentru burghie SDS, cordon de alimentare, mâner auxiliare, cutie de transport, placă pentru șlefuit, suport praf, tub pentru evacuarea prafului, discuri de păsă, adaptoare și resorturi pentru cheile de strângere prin vibrație, etc.
4. Pentru efectuarea reparațiilor, produsul trebuie trimis sau adus la un centru de reparații autorizat RYOBI din lista următoare de centre de reparații prezentate pentru fiecare țară. În anumite țări, reprezentantul local RYOBI va trimite produsul spre reparare la sediul central de reparații RYOBI. Atunci când trimiteți produsul spre reparare la un centru de reparații RYOBI, acesta trebuie ambalat în siguranță, fără conținut periculos (cum ar fi benzina), marcat cu adresa expeditorului și însoțit de o scurtă descriere a defecțiunii.
5. Repararea/inlocuirea în perioada de garanție este gratuită. Aceasta nu este însoțită de o prelungire sau o reiniiere a perioadei de garanție. Piesele sau uneltele schimbate devin proprietatea dvs. În anumite țări, taxele de expediție sau poștale vor fi suportate de expeditor. Drepturile dvs. statutare rezultate din achiziția produsului rămân neschimbate
6. Această garanție este valabilă în Comunitatea Europeană, Elveția, Islanda, Norvegia, Liechtenstein, Turcia și Rusia. În afara acestor zone, vă rugăm să contactați reprezentantul dvs. local RYOBI pentru a determina dacă se aplică alt tip de garanție.

CENTRU DE SERVICE AUTORIZAT

Pentru a găsi un centru de service autorizat lângă dvs., vizitați <http://uk.ryobitools.eu/header/service-and-support/service-agents>.

Lisaks toote ostust tulenevatele seadusjärgsetele õigustele, kehtib tootele ka alitoodud garantiiga.

- Tarbijatele on garantiiaeg 24 kuud ja algab sellel kuupäeval, mil toode osteti. Selle kuupäeva tähtsuseks on vaja arvet või mõnda teist tõendit ostu sooritamise kohta. Toode on mõeldud eratarbijatele ainult isiklikuks kasutamiseks. Seega ei kehti garantii ostu kasutamisel kutsetegevuses või kaubanduslikel eesmärkidel.
- Teatud osale elektrilistele (vahelduvvoolu/alalisvoolu) tööriistadele on võimalik pikendada tähtsust toode garantiiaega, kasutades toote registreerimist veebilehel www.ryobitools.eu. Teave tööriista võimaliku pikendatud garantiiaja kohta on selgelt esile toodud poodides ja/või pakendil / ning see sisaldub toote dokumentatsioonis. Lõpparbiaja peab registreerima oma uued tööriistad interneti teel 30 päeva jooksul pärast ostupäeva. Lõppkasutaja võib registreerida pikendatud garantiiaja saamise oma elukohariigis, kui veebis olevas registreerimisvormis on see valik lubatud. Lisaks peavad kasutajad andma oma nõusoleku veebis nõutud sisestatavate andmete säilitamiseks ning nad peavad nõustuma tingimustega. E-posti teel saadetav registreerimise kinnitus ja arve originaal, kus on näha ostu sooritamise kuupäev, on pikendatud garantiiaja tõestuseks.
- Garantii katab kõik defektid toote garantiiaja jooksul, kui ostu kuupäeval ilmnevad talitlus- või materjalivead. Garantii piirub toote remondi ja/või väljavahetamisega ning ei sisalda muid kohustusi, muu hulgas ettenägematuid või kaudseid kahjusid. Garantii ei kehti, kui toodet ei ole kasutatud sihtotstarbelselt või kooskõlas kasutusjuhendiga või see on valesti ühendatud. Garantii ei kehti järgmistel põhjustel:
 - toode on kahjustatud vale hoolduse tõttu
 - toodet on muudetud
 - toote algupäraseid identifitseerimisnumbreid (kaubamärk, seerianumber) on rikutud, muudetud või eemaldatud
 - kahju on tekkinud kasutusjuhendi mittejärgmisest
 - tootel puudub CE-märgis
 - toodet on püüdnud remontida vastavat kvalifikatsiooni mitte omav isik või ilma firma Techtronic Industries eelneva loata.
 - toode on ühendatud valesse toiteallikasse (voolutugevus, ping, sagedus)
 - välismõjude (keemilised, füüsilised, elektrilöögid) või võrkehade tekitatud kahju
 - tavapärane kulumine ja katkised varuosad
 - ebaõige kasutamine, tööriista ülekoormamine
 - hea kiitmatatav tarvikute või osade kasutamine
 - koos tööriistaga saadud või eraldi ostetud elektriliste tööriistade tarvikud. Need erandid puudutavad muu hulgas kruvikeeraja otsakuid, puuriterasid, lihvkettaid, lihvpaberit ja -tald, küljuhukuid
 - Komponendid (osad ja tarvikud), mida iseloomustab kulumine ja vananemine, muu hulgas remondi- ja hoolduskomplektid, süsinikharjad, laagrid, padrunid, SDS-puuriterade tarvikud, toitejuhe, lisakäepide, transpordikott, lihvplaat, tolmuott, tolmu väljalasketoru, viildist seibid, löökmutrivõtme võllid ja vedrud jne.
- Hoolduseks peab toote saatma või viima RYOBI volitatud teenindusse, mille aadressi leiata järgnevat teeninduspunkti nimekirjast vastava riigi alt. Mõnedes riikides võtab kohalik RYOBI edasimüüja enda kanda kohustuse saata toode RYOBI teenindusorganisatsiooni. Toote saatmisel RYOBI teenindusse peab toode olema ohutult pakitud ja ei tohi sisaldada ohtlikke aineid (nt bensini), kirjas peab olema saatja aadress ja lisatud vea lühikirjeldus.
- Garantii alusel tehtavad remonditööd / asendamine on tasuta. See ei pikenda garantii kehtivusaega ega tähistu uue garantiiaja algust. Väljavahetatud osad või tööriistad kuuluvad meile. Mõnedes riikides maksab kätetoimetamis- ja postikulud saatvat. Teile jäävad kehtima tööriista ostust tulenevad seadusjärgsed õigused
- See garantii kehtib Euroopa Ühenduste territooriumil, Šveitsis, Islandil, Norras, Liechtensteinis, Türgis ja Venemaal. Väljaspool neid piirkondi võtke ühendust volitatud RYOBI edasimüüjaga, et teha kindlaks kas kehtib mõni teine garantii.

VOLITATUD HOOLDUSKESKUS

Oma volitatud hoolduskeskuse leiate veebisaidilt <http://uk.ryobitools.eu/header/service-and-support/service-agents>.

Osim svim zakonskim pravima koja proizlaze iz kupnje, ovaj je proizvod pokriven jamstvom kako je navedeno u nastavku.

- Jamstveno razdoblje za potrošače traje 24 mjeseca i počinje s datumom na koji je proizvod kupljen. Taj datum mora se dokumentirati računom ili drugim dokazom o kupnji. Proizvod je konstruiran i namijenjen samo za privatnu upotrebu korisnika. Stoga se jamstvo ne daje u slučaju profesionalne ili komercijalne uporabe.
- Postoji mogućnost da se za dio asortimana električnih alata pokretanih izmjeničnom strujom (AC/DC) proizvodi gore navedeno jamstveno razdoblje putem registriranja na mrežnom mjestu www.ryobitools.eu. Uvjeti koje je potrebno zadovoljiti kako bi se produžilo jamstveno razdoblje jasno su istaknuti u prodavaonicama i / ili na pakiranju / i nalaze se unutar dokumentacije proizvoda. Krajnji korisnik mora registrirati svoje novo kupljene alate na mreži u roku od 30 dana od datuma kupnje. Krajnji korisnik može se registrirati za produženo jamstvo u svojoj zemlji boravišta ako se nalazi na popisu u mrežnom obrascu za registraciju gdje je ta opcija važeća. Nadalje, krajnji korisnici moraju dati svoj pristanak na pohranu podataka koji su potrebni za mrežni ulazak i moraju prihvatiti odredbe i uvjete. Potvrda o prijemu registracije, koja se šalje putem e-pošte, kao i originalni račun s vidljivim datumom kupnje poslužit će kao dokaz produženog jamstva.
- Jamstvo pokriva sve nedostatke proizvoda tijekom jamstvenog razdoblja koji su nastali zbog neispravnosti prilikom izrade ili materijala s datumom kupnje. Jamstvo je ograničeno na popravak i/ili zamjenu i ne obuhvaća nikakve druge obveze, uključujući, ali ne ograničavajući se na slučajne ili posjednične štete. Jamstvo ne vrijedi ako je proizvod bio zlorabljeno, korišten u suprotnosti s priručnikom s uputama ili ako je pogrešno spojen. Ovo jamstvo ne primjenjuje se na:
 - svaku štetu koja je na proizvodu nastala kao rezultat nepravilnog održavanja
 - svaki proizvod koji je promijenjen ili izmijenjen
 - svaki proizvod na kojem su izvorne identifikacijske oznake (žig, serijski broj) bile oštećene, izmijenjene ili uklonjene
 - svaku štetu prouzročenu neprimjerenim priručnika s uputama
 - svaki proizvod koji nema oznaku CE
 - svaki proizvod koji je pokušao popraviti neovlašćen profesionalac ili onaj koji je popravljao bez prethodnog odobrenja tvrtke Techtronic Industries.
 - svaki proizvod koji je spojen na neprikladan izvor električnog napajanja (neodgovarajuća amperaza, napon, frekvencija)
 - svaku štetu prouzročenu unutarnjim utjecajima (kemijskim, fizikalnim, udarima) ili stranim tvarima
 - normalno habanje i trošenje rezervnih dijelova
 - neodgovarajuću uporabu, preopterećenje alata
 - upotrebu neodobrenog pribora ili dijelova
 - dotadnu neopremu električnog alata isporučenu s alatom ili kupljenu odvojeno. Takvi izuzetci uključuju ali nisu ograničeni na vrhove odvijачa, svrdla bušilice, abrazivne diske, brusni papir i noževe, bočnu vodilicu
 - Komponente (dijelovi i pribor) podložne prirodnom trošenju i habanju, što uključuje, ali nije ograničeno na komplecte za servisiranje i održavanje, ugljične četkice, ležajeve, steznu glavu, nastavak ili priključak za svrdla za SDS bušilicu, priključni kabel, pomoćnu ručku, transportne torbe, brusnu ploču, vreću za prašinu, ispušnu cijev za prašinu, podloške od filca, udarni ključ, zatici i opruge, itd.
- Za potrebe servisiranja, proizvod se mora poslati ili odnijeti u ovlaštenu servisnu postaju tvrtke RYOBI navedenu na sljedećem popisu s adresama servisnih postaja u svakoj zemlji. U nekim zemljama, vaš lokalni RYOBI zastupnik obvezuje se da će poslati proizvod u servisnu organizaciju tvrtke RYOBI. Kada se proizvod šalje u neku servisnu postaju tvrtke RYOBI, proizvod se mora sigurno pakirati bez jednog od opasnih sadržaja kao što je benzin, na njemu mora pisati adresa pošiljatelja i mora biti popraćen kratkim opisom kvara.
- Popravak / zamjena pod ovim jamstvom su besplatni. Oni ne predstavljaju produženje ili novi početak jamstvenog razdoblja. Zamijenjeni dijelovi ili alati postaju vaše vlasništvo. U nekim državama troškove isporuke ili poštarinu mora platiti pošiljatelj. Vaša zakonska prava koja proizlaze iz kupnje alata ostaju nepromijenjena
- Ovo jamstvo vrijedi u Europskoj uniji, Švicarskoj, Islandu, Norveškoj, Lihtenštajnu, Turskoj i Rusiji. Izvan tih područja vas molimo da se obratite svojem ovlaštenom zastupniku tvrtke RYOBI kako biste utvrdili primjenjuje li se drugo jamstvo.

OVLAŠTENI SERVISNI CENTAR

Za pronalazjenje ovlaštenog servisnog centra pored vas posjetite <http://uk.ryobitools.eu/header/service-and-support/service-agents>.

SL POGOJI ZA VELJAVNOST GARANCIJE RYOBI®

Poleg morebitnih zakonsko določenih pravic, ki izvirajo iz nakupa, za ta izdelek velja spodaj navedena garancija.

- Garancijsko obdobje je za potrošnike 24 mesecev in začne teči z dnem nakupa izdelka. Ta datum mora biti dokumentiran z računom ali drugim dokazilom o nakupu. Izdelek je zasnovan in namenjen izključno za potrošniško zasebno uporabo. V primeru strokovne oziroma komercialne uporabe izdelka garancija ne velja.
- Obstaja možnost podaljšanja garancije na del naše ponudbe električnih orodij (AC/DC) prek obdobja garancije, opisanega zgoraj, s pomočjo registracije na spletnem mestu www.ryobitools.eu website. Ustreznost orodij za podaljšanje garancijskega obdobja je jasno prikazana v trgovinah in/ali na embalaži oziroma je navedena v dokumentaciji izdelka. Končni uporabnik mora registrirati svoje novo orodje na spletu v 30 dneh po datumu nakupa. Končni uporabnik lahko registrira podaljšano garancijo v svoji državi bivanja, če je na obrazcu spletne registracije navedeno, da ta možnost velja za njegovo državo. Poleg tega morajo končni uporabniki podati svoje soglasje za shranjevanje podatkov, ki so potrebni za spletni dostop in morajo sprejeti pogoje in določila uporabe spletnega mesta. Potrdilo o registraciji, ki ga pošljemo prek e-pošte, in originalni račun, ki prikazuje datum nakupa, služita kot dokazilo o podaljšani garanciji.
- Garancija krije vse okvare izdelka, do katerih pride v garancijskem obdobju zaradi napak v izdelavi ali materialu, ki so bile prisotne ob datumu nakupa. Garancija je omejena na popravilo in/ali zamenjavo in ne vključuje nobenih drugih obveznosti, med drugim vključno z naključno ali posledično škodo. Garancija ne velja, če je bil izdelek napačno uporabljen, uporabljen v nasprotju z navodili iz priročnika za uporabo ali če ni bil pravilno povezan. Ta garancija ne velja za:
 - škodo na izdelku, ki je posledica neustreznega vzdrževanja
 - spremenjen ali prilagojen izdelek
 - izdelek, katerega originalna identifikacijska oznaka (blagovna znamka, serijska številka) je bil poškodovana, spremenjena ali odstranjena
 - škodo, ki je posledica neupoštevanja navodil iz priročnika za uporabo izdelka, ki nima oznake CE
 - izdelek, ki ga je poskušal opraviti nequalificiran strokovnjak ali ki je bil popraviljen brez predhodne odobritve s strani družbe Techtronic Industries.
 - izdelek, ki je bil povezan na neustrezno napajanje (amperska moč, napetost, frekvenca)
 - škodo, ki jo povzročijo zunanji vplivi (kemični, fizični, mehanski) ali tuje snovi
 - rezervne dele, ki so podvrženi običajni uporabi
 - neprimerno uporabo, preobremenitev orodja
 - uporabo neodobrenih dodatkov ali delov
 - Dodatno električno orodje, priloženo orodju ali kupljeno ločeno. Take izjeme so med drugim nastavki za izvijače, svedri, abrazivni diski, brusni papir in rezila, stranska vodila.
 - Komponente (sestavni in rezervni deli), ki so podvrženi običajni obrabi, med drugim vključno s kompleti za servisiranje in vzdrževanje, oglikovimi krtačkami, ležaji, vpenjali, svedrni priključki SDS ali sprejemnimi odprtini zanje, napajalnimi kablji, pomožnimi ročajji, prenosnimi kovčki, brusnimi ploščami, vreckami za prah, cevmi za izpuh prahu, tesnilni iz filca, iglami in vzmetni udarnega ključa itd.
- Za servisiranje morate izdelek poslati ali prinesiti v pooblaščen servisni center družbe RYOBI, ki je naveden za vsako državo na naslednjem seznamu naslovov servisnih centrov. V nekaterih državah se vaš lokalni posrednik družbe RYOBI obveže, da bo poslal izdelek na servis družbe RYOBI. Ko pošiljate izdelek v servisni center družbe RYOBI, mora biti izdelek varno zapakiran in ne sme vsebovati nobenih nevarnih snovi, kot je npr. bencin, opremljen pa mora biti z naslovom pošiljatelja in vsebovati kratek opis napake.
- Popravilo/zamenjava v skladu s to garancijo sta brezplačni storitvi. To pa ne predstavlja podaljšanja ali ponovnega začetka garancijskega obdobja. Zamenjani deli ali orodja postanejo naša last. V nekaterih državah stroške dostave ali poštno plača pošiljatelj. Vaše zakonsko določene pravice, ki izvirajo iz nakupa orodja, ostajajo nespremenjene.
- Ta garancija velja v Evropski skupnosti, Švici, Islandiji, na Norveškem, v Lichtenštajnu, v Turčiji in Rusiji. Izven teh območij se obrnite na svojega pooblaščenega posrednika izdelkov RYOBI, dealer ki vam bo povedal, ali velja kakšna druga garancija.

POOBLAŠČEN SERVISNI CENTER

Pooblaščen servisni center blizu vas poiščite na <http://uk.ryobitools.eu/header/service-and-support/service-agents>.

SK ZÁRUČNÉ PODMIENKY RYOBI®

Na tento výrobok sa okrem všetkých zákonných práv, vyplývajúcich z nákupu, vzťahuje záruka v nasledovnom znení.

- Záručná doba pre spotrebiteľa je 24 mesiacov a začína plynúť odo dňa, kedy bol výrobok zakúpený. Tento dátum musí byť doložený faktúrou alebo iným dokladom o zakúpení. Výrobok je navrhnutý a určený pre spotrebiteľov a ten na súkromné používanie. Preto sa záruka sa neposkytuje v prípade použitia na profesionálne a komerčné účely.
- V prípade elektrického náradia (na striedavý/jednosmerný prúd AC/DC), existuje možnosť predĺženia záručnej doby oproti záručnej dobe, uvedenej vyššie, s využitím on-line registrácie na webovej stránke www.ryobitools.eu. Označenie na náradí o nároku na predĺženie záručnej doby je zreteľne uvedené v obchodoch a/alebo na obale a je uvedené v dokumentácii k výrobku. Koncový používateľ musí zaregistrovať svoje novozískané náradie on-line do 30 dní odo dňa nákupu. Koncový používateľ sa môže zaregistrovať na predĺženie záruky v krajine svojho bydliska, ak je v on-line registračnom formulári uvedená táto možnosť. Ďalej musia koncoví používatelia ešte dať svoj súhlas s podmienkami. Potvrdenie o prijatí registrácie, ktorý je zaslané e-mailom a originál faktúry, v ktorej je uvedený dátum nákupu, slúžia ako dôkaz o predĺženej záruke.
- Záruka sa vzťahuje na všetky poruchy výrobku v záručnej dobe, spôsobené chybami materiálů alebo spracovania k dátumu nákupu. Táto záruka je obmedzená na opravu a/alebo výmenu a nezahŕňa ďalšie povinnosti, vrátane, okrem iných, náhodné alebo následné škody. Táto záruka je neplatná, ak bol výrobok nesprávne používaný, bol používaný v rozpore s návodom na použitie alebo bol nesprávne zapojený. Táto záruka sa nevzťahuje na:
 - akékoľvek poškodenie výrobku, ktoré bolo spôsobené nesprávnou obsluhou
 - akýkoľvek výrobok, ktorý bol zmenený alebo upravený
 - akýkoľvek výrobok, na ktorom bolo poškodené, upravené alebo odstránené identifikačné označenie (ochranná známka, výrobné číslo)
 - akékoľvek škody, spôsobené nedodržaním návodu na obsluhu
 - akýkoľvek výrobok, ktorý neobsahuje označenie CE
 - akýkoľvek výrobok, ktorý sa pokúšal opraviť nequalifikovaný odborník alebo bol opravovaný bez predchádzajúceho súhlasu so strany spoločnosti Techtronic Industries.
 - akýkoľvek výrobok, pripojený k nesprávnemu napájaciemu zdroju (ampéry, napätie, frekvencia)
 - akékoľvek poškodenia, spôsobené vonkajšími vplyvmi (chemickými, fyzikálnymi, nárazmi) alebo cudzorodnými látkami
 - bežné opotrebovanie náhradných dielov
 - nehodné používanie, preťažovanie nástroja
 - používanie neschváleného príslušenstva a dielov
 - príslušenstvo k elektrickému náradiu, dodávané spolu s náradím alebo zakúpené oddelene. Takéto vylúčenia sa vzťahujú, okrem iného, na nástady skrutkovačov, vrtáky, brusne kotúče, brusný papier a čepele, bočné vodiace lišty
 - Súčiastky (diely a príslušenstvo), ktoré podliehajú prirodzenému opotrebeniu, okrem iného súpravy na servis a údržbu, uhliky, ložiská, skľučovadlá, SDS vrtáky a príslušenstvo, príloh alebo prijímanie, napájací kábel, pomocná rukoväť, prepravná skriňa, brusná doska, pracovné vrecko, výfuková trubica, pistené podložky, kotlíky a pružiny na rázový uťahovač atď.
- Na opravu musí byť výrobok odoslaný alebo doručený do autorizovaného servisného strediska RYOBI, uvedeného pre každú krajinu v nasledovnom zozname adries servisných stredísk. V niektorých krajinách miestny zástupca RYOBI preberá na seba záväzok zaslať tovar do servisnej organizácie RYOBI. Pri odoslaní výrobku do servisného strediska RYOBI je potrebné výrobok bezpečne zabaliť bez akéhokoľvek nebezpečného obsahu, ako je benzín, s vyznačením adresy odosielateľa, s krátkym popisom poruchy.
- Oprava/výmena je vrámci tejto záruky bezplatná. Neznamená to predĺženie záruky alebo spustenie novej záručnej doby. Vymenené diely alebo nástroje sa stávajú našim vlastníctvom. V niektorých krajinách náklady na odoslanie alebo vrátenie musí zaplatiť odosielateľ. Vaše zákonné práva, vyplývajúce z nákupu náradia, zostávajú nedotknuté.
- Táto záruka platí v Európskej únii, Švajčiarsku, Islande, Nórsku, Lichtenštajnsku, Turesku a Rusku. Ak sa nachádzate mimo týchto oblastí, obráťte sa na autorizovaného predajcu RYOBI na určenie, či sa dá uplatniť iná záruka.

AUTORIZOVANÉ SERVISNÉ CENTRUM

Ak chcete nájsť najbližšie autorizované servisné centrum, navštívte stránku <http://uk.ryobitools.eu/header/service-and-support/service-agents>.

BG УСЛОВИЯ ЗА ВАЛИДНОСТ НА ГАРАНЦИЯТА НА RYOBI®

В допълнение към законоустановените права, произтичащи от покупката, този продукт е обхванат от гаранцията, както е изложено по-долу.

- Гаранционният срок е 24 месеца за клиенти и започва да тече от деня на закупуване на продукта. Тази дата трябва да се докаже с фактура или друго доказателство за покупка. Продуктът е изработен и предназначен само за потребителска и лична употреба. Следователно не се дава гаранция в случай на използване от професионалисти или с търговска цел.
- Съществува възможност за удължаване на гаранционния срок за част от диалогана на гаранцията на електрически инструменти (AC/DC) след изтичането на описания тук чрез регистрация на уеб сайта www.ryobitools.eu. В магазините и/или на опаковката или вътре в документацията на продукта е показано ясно дали инструментът отговаря на условията за такова удължаване на гаранционния срок. Крайният потребител трябва да регистрира своите новопридобити инструменти онлайн в рамките на 30 дни от датата на покупка. Крайният потребител може да се регистрира за удължена гаранция в държавата си на пребиваване, ако е посочена във формуляра за онлайн регистрация като място, където тази опция е валидна. Освен това крайните потребители трябва да дадат съгласието си за съхранение на данните, които са задължителни за ползване онлайн, и трябва да приемат общите условия. Полученото потвърждение за регистрация, изпратено по електронна поща, и оригиналната фактура, показваща датата на покупка, ще служат като доказателство за удължената гаранция.
- Гаранцията покрива всички дефекти на продукта по време на гаранционния срок, които се дължат на проблеми в изработката или материалите към момента на покупката. Гаранцията е ограничена до ремонт и/или замяна и не включва други задължения, включително, но не само, случайни или косвени щети. Гаранцията е невалидна, ако продуктът е използван неправилно или в противоречие с ръководството с инструкции, както и ако е свързан неправилно. Тази гаранция не важи за:
 - щети по продукта в резултат на неправилна профилактика
 - продукти, които са били изменени или модифицирани
 - продукт, при който оригиналните маркировки за идентификация (търговска марка, серийен номер) са изтрети, променени или премахнати
 - повреда, причинена от неспазване на ръководството с инструкции
 - продукт без CE маркировка
 - продукт, за който е направен опит за ремонт от неквалифициран специалист или без предварително разрешение от Techtronic Industries.
 - продукт, свързан към неподходящо електрохранване (ампераж, волтаж, честота)
 - щети, причинени от външни влияния (химични, физични, удари) или чужди вещества
 - нормално износване на резервни част
 - неподходяща употреба, претоварване на инструмента
 - използване на необорудени аксесоари или части
 - Аксесоарите за електрически инструмент са предоставени с инструмента или се купуват отделно. Тези изключения включват, но не само, накрайници за отвертка, свердела, абразивни дискове, шкурка и остриета, страничен водач
 - Компоненти (части и аксесоари), подложени на естествено износване, включително, но не само, комплекти за обслужване и поддръжка, карбонови четки, лагери, патронник, приставка със средло SDS или приемно устройство, захванващ кабел, спомогателна ръкохватка, кутия за транспортиране, шлифовъчна пластина, торба за прах, тръба за отвеждане на прах, филцови шаблони, цифрове и пружини за винтоверти и др.
- За обслужване продуктът трябва да се изпрати или занесе на авторизан сервис на RYOBI, посочен за всяка държава в следния списък с адреси на сервиси. В някои държави местният търговец на RYOBI поема отговорността да изпрати продукта до сервисен център на RYOBI. При изпращане на продукт до сервис на RYOBI той трябва да е опакован безопасно без опасо съдържание, напр. бензин, да е маркиран с адреса на подателя и придружен от кратко описание на повредата.
- Ремонът/замяната по силата на тази гаранция са безплатни. Те не водят до удължаване или подновяване на гаранционния срок. Сменените части или инструменти стават наша собственост. В някои държави таксите за доставка или изпращане трябва да се платят от подателя. Законоустановените ни права, произтичащи от закупуването на инструмента, остават незасегнати.
- Тази гаранция е валидна в Европейската общност, Швейцария, Исландия, Норвегия, Лихтенщайн, Турция и Русия. Извън тези области се свържете с упълномощения търговец на RYOBI, за да се установи дали е приложима друга гаранция.

УПЪЛНОМОЩЕН СЕРВИЗЕН ЦЕНТЪР

За да намерите упълномощен сервисен център близо до вас, посетете <http://uk.ryobitools.eu/header/service-and-support/service-agents>.

UK ГАРАНТИЙНИ УМОВИ ДЛЯ RYOBI®

Окрім загалом установлених законом прав, що стосуються покупки, цей пристрій покривається гарантією, що зазначено нижче.

- Гарантійний період для споживачів складає 24 місяці і починається з моменту придбання цього пристрою. Ця дата повинна бути задокументована у гарантійному талоні або чеку. Цей пристрій був розроблений і призначений тільки для споживчого та приватного використання. У разі професійного або комерційного використання цього пристрою, він втрачає гарантію.
- Існує можливість подовжити гарантійний період для частини лінійки електронструментів (перемінного/постійного струму), понад період описаний вище за допомогою реєстрації на сайті www.ryobitools.eu. Пристрої, які мають право на подовження гарантійного періоду, мають чіткі позначки щодо цього в магазинах і / або на упакуванні / та документації до пристрою. Кінцевий користувач повинен зареєструвати його/її новопридбаний пристрій онлайн протягом 30 днів з дати покупки. Кінцевий користувач може зареєструватися для подовження гарантійного періоду в своїй країні постійного перебування, якщо вона є доступною у відповідній опції онлайн форми реєстрації. Крім того, кінцеві користувачі повинні дати свою згоду на зберігання даних, які необхідні для ведення онлайн, а також вони повинні прийняти правила та умови. Отримання підтвердження реєстрації, яке відправляється на адресу електронної пошти, та оригінал гарантійного талона і зазначеною датою покупки буде служити доказом подовженої гарантії.
- Гарантія поширюється на всі дефекти пристрою протягом гарантійного терміну щодо недотримання стандартів виробництва або матеріалів на дату придбання. Гарантія обмежується ремонтом та/або заміною, та не включає в себе будь-яких інших зобов'язань, в тому числі, але не обмежена у разі випадкових та подальших пошкоджень. Гарантія не діє, якщо пристрій використовувався неадекватним чином, всупереч інструкції з експлуатації або був неправильно підключений до мережі. Дана гарантія не поширюється на:
 - пристрої, що були пошкоджені у результаті неправильного технічного обслуговування;
 - пристрої, що були видозміннені або модифіковані;
 - пристрої, оригінальні ідентифікаційні (товарний знак, серійний номер) маркування яких було пошкоджене, змінене або видалено;
 - будь-які пошкодження, заподіяні недотриманням інструкції з експлуатації;
 - пристрої, що не мають маркування CE;
 - пристрої, що були відремонтовані некваліфікованим фахівцем або за відсутності попереднього дозволу від Techtronic Industries;
 - пристрої, підключені до невідповідного джерела живлення (сила току, напруження, частота);
 - будь-які пошкодження спричинені зовнішнім впливом (хімічним, фізичним, стрибком напруги) або сторонніми речовинами;
 - нормальну амортизацію запасних частин;
 - невідповідне використання, перевантаження пристрою;
 - використання не підтверджених запасних частин або аксесуарів;
 - приладдя до електронструменту, що постачається разом з пристроєм або купуються окремо. Такі винятки враховують але не є обмеженнями для наконечників викруток, свердел, абразивних дисків, наждачного паперу та лез, бінчих напрямних – компоненти(частини та приладдя) з урахуванням нормального зношування, враховуючи, але без обмеження на комплекти профілактики та технічного обслуговування, вугільні штилки, підшипники, патрони, кріплення або прийом SDS свердел, кабелі живлення, додаткові рукоятки, чохла для транспортування, шлифувальні пластини, мішки для збору пилу, трубки виплопу, фетрові кільця, штирі і пружини гайковерту і т.д.
- Для обслуговування, пристрій має бути відправлений або поданий до одного з авторизованих сервісних центрів RYOBI, які перелічені для кожної країни у наступному переліку адрес сервісних центрів. У деяких країнах місцевий дилер RYOBI зобов'язується відправити пристрій до сервісного центру RYOBI. При відправленні пристрою до сервісного центру RYOBI, пристрій має бути надійно упакований без будь-якого небезпечного вмісту, наприклад бензину, з позначеною адресою відправника та супроводжується коротким описом несправності.
- Ремонт / заміна відповідно до цієї гарантії здійснюється безкоштовно. Це не є основою для подовження або початку нового гарантійного періоду. Замінені частини або прилади переходять до власності компанії. У деяких країнах вартість доставки або поштові витрати повинні бути сплачені відправником. Загально встановлені права покупця на пристрій залишаються незмінними.
- Ця гарантія діє в Європейському Союзі, Швейцарії, Ісландії, Норвегії, Лихтенштейні, Туреччині та Росії. За межами цих зон, будь ласка, зверніться до офіційного дилера RYOBI, щоб визначити, чи застосовується інша гарантія.

АВТОРИЗОВАНІ СЕРВІСНІ ЦЕНТРИ

Для отримання оновленого переліка авторизованих сервісних центрів, відвідайте <http://uk.ryobitools.eu/header/service-and-support/service-agents>.

TR RYOBI® GARANTİ UYGULAMA KOŞULLARI

Alımdan kaynaklanan yasal haklara ek olarak, ürün aşağıda belirtilen garanti kapsamındadır.

1. Tüketiciler için 24 ay olan garanti süresi, ürünün satın alındığı tarihte başlar. Bu tarihin bir fatura ya da alım kanıtıyla belgelenmesi gerekir. Ürün sadece tüketim ve özel kullanım için geliştirilmiş ve adanmıştır. Bu nedenle, profesyonel ya da ticari kullanım halinde garanti kapsamı sağlanmaz.
2. Elektrikli el aletlerinin bir bölümü (AC/DC) için www.ryobitools.eu sayfasındaki kayıt işlemini kullanarak garantinin belirtilen süresinin ötesine çıkma imkanı mevcuttur. Aletlerin garanti süresinin uzatılmasına uygun olup olmadığı mağazalarda ve / veya ambalajda açıkça belirtilmiş olup, ürün dokümantasyonunda gösterilir. Son kullanıcının yeni aldığı aletleri satın alma tarihini izleyen 30 gün içinde kaydetmesi gerekir. Son kullanıcı ikamet ettiği ülkede, bu seçeneğin geçerli olduğu çevrimiçi kayıt formunda belirtilmiş, uzatılmış garanti süresi için kayıt yapılabilir. Dahası, son kullanıcıların çevrimiçi giriş için gerekli verilerin kaydedilmesine izin vermek ve hüküm ve koşulları kabul etmelidir. E-posta ile gönderilen kayıt teyit makbuzu ve alım tarihini gösteren orijinal fatura uzatılmış garantinin kanıtı olarak değerlendirilir.
3. Garanti, ürünün alım tarihindeki işçilik ve malzeme kusurları nedeniyle garanti süresi içinde oluşacak bütün arızaları kapsar. Bu garanti onarım ve değiştirilmeyle sınırlı olup, tasadufi ya da dolaylı hasarlar da dahil, ancak bunlarla kısıtlı olmayan başka hiçbir tahahhüdü kapsamaz. Garanti, ürünün kötü, kullanıcı kılavuzuna aykırı kullanımıyla ya da yanlış bağlanmış olması halinde geçerli değildir. Bu garanti aşağıdakileri kapsamaz:
 - üründe, yanlış bakımдан kaynaklanan herhangi bir hasar
 - değiştirilmiş ya da modifiye edilmiş herhangi bir ürün
 - orijinal tanıtmış işaretleri (ticari marka, seri numarası) silinmiş, değiştirilmiş ya da kaldırılmış herhangi bir ürün
 - kullanma kılavuzuna uymamaktan kaynaklanmış herhangi bir hasar
 - herhangi bir AT dışı ürün
 - kalifiye olmamış personel tarafından ya da önceden Techtronic Industries onayı alınmadan onarılmış herhangi bir ürün.
 - uygunsuz güç kaynağına (amper, voltaj, frekans) bağlanmış herhangi bir ürün
 - harici etkenlerden (kimyasal, fiziksel, darbe) veya yabancı cisimlerden kaynaklanan her türlü hasar
 - normal aşınır ve yıpranır aksam
 - uygunsuz kullanım, aletin aşırı yüklenmesi
 - onaysız aksesuar veya parça kullanımı
4. Aletle birlikte sağlanmış ya da ayrıca alınmış elektrikli alet aksesuarları, Tornavida uçları, matkap uçları, aşındırıcı diskler, zımpara kağıdı ve bıçakları, yanıl kılavuz gibi aksamı içeren, ancak bunlarla sınırlı olmayan eklentiler
5. Servis ve Bakım kitiyle, kömür fırçalar, yataklar, kovanlar, SDS matkap ucu bağlantısı ya da yuvaları, güç kablosu, yedek tutamak, nakliye ve taşıma kutusu, kuşlama plakası, toz torbası, toz egzoz borusu, keçe rondelalar, Darbeli Tornavida Pim ve yayları vb. gibi parçaları kapsayan, ancak bunlarla sınırlı olmayan, aşınma ve yıpranmaya tabi bileşenler (aksam ve aksesuarlar).
4. Ürünün servis için her ülkede aşağıdaki servis istasyonları adres listesinde yer alan yetkili bir RYOBI servis istasyonuna gönderilmesi ya götürülmesi gereklidir. Bazı ülkelerde, yerel RYOBI distribütörünüz ürünü RYOBI servis tesisine göndermeyi üstlenir. Bir ürün bir RYOBI servis istasyonuna gönderilirse, ürünün güvenli bir biçimde ambalajlanması, benzin gibi tehlikeli maddeler içermemesi, gönderinin adresini taşıması ve anızın kısa bir açıklamasını içermesi gerekir.
5. Bu garanti kapsamında yapılacak onarım / değişiklik ücretsizdir. Garanti süresinin uzatılması ya da yeniden başlatılması anlamına gelmez. Değiştirilmiş parçalar veya aletler bize ait olur. Bazı ülkelerde teslimat ücretleri veya posta giderlerini gönderici tarafından ödenmesi gerekir. Alımdan kaynaklanan yasal haklarınıza etkilenmez
6. Bu Garanti Avrupa Topluçuluğu, İsviçre, İzlanda, Norveç, Liechtenstein, Türkiye ve Rusya'da geçerlidir. Bu alanların dışında, başka bir garantinin geçerli olup olmadığını belirlemek için lütfen yetkili RYOBI distribütörünüzle irtibata geçin.

YETKİLİ SERVİS MERKEZİ

En yakın yetkili servis merkezini öğrenmek için <http://uk.ryobitools.eu/header/service-and-support/service-agents> sitesine girin.

EL ΟΡΟΙ ΕΦΑΡΜΟΓΗΣ ΤΩΝ ΠΡΟΫΠΟΘΕΣΕΩΝ ΕΓΓΥΗΣΗΣ ΤΗΣ RYOBI®

Εκτός από τα νόμιμα δικαιώματα, τα οποία προκύπτουν από την αγορά, το προϊόν καλύπτεται από εγγύηση, λεπτομέρειες της οποίας ακολουθούν στη συνέχεια.

1. Η διάρκεια της εγγύησης για τους καταναλωτές είναι 24 μήνες και αρχίζει από την ημερομηνία αγοράς. Η ημερομηνία θα πρέπει να αναγράφεται στην απόδειξη ή σε άλλο αποδεικτικό αγοράς. Το προϊόν έχει σχεδιαστεί και προορίζεται αποκλειστικά για οικιακή χρήση από καταναλωτές. Συνεπώς, δεν παρέχεται εγγύηση σε περίπτωση επαγγελματικής ή εμπορικής χρήσης.
2. Υπάρχει η δυνατότητα επέκτασης της εγγύησης για ορισμένα ηλεκτρικά εργαλεία (AC/DC), πέραν του παραπάνω αναφερόμενου χρονικού διαστήματος, μέσω εγγραφής στο δικτυακό τόπο www.ryobitools.eu. Η επλεξιμότητα των εργαλείων με δυνατότητα επέκτασης της περιόδου εγγύησης αναγράφεται ρητά στα καταστήματα και/ή επάνω στη συσκευασία, ενώ περιέχεται στην τεκμηρίωση του προϊόντος. Το τελικό χρήστη θα πρέπει να καταχωρήσει τα προσωπικά αποκτηθέντα εργαλεία online, εντός 30 ημερών από την ημερομηνία αγοράς. Ο τελικός χρήστης μπορεί να εγγραφεί για την επέκταση εγγύησης εάν υπάρχει η δυνατότητα επέκτασης. Επιπλέον, οι τελικοί χρήστες θα πρέπει να παρέχουν τη συγκατάθεσή τους για την αποθήκευση των στοιχείων τους, τα οποία οφείλουν να καταχωρούν online, όπως και να αποδεχθούν του όρους και τις προϋποθέσεις. Η απόδειξη επαβεβαίωσης της εγγραφής, η οποία αποστέλλεται μέσω email, και η πρωτότυπη απόδειξη αγοράς, η οποία αναγράφεται στην ημερομηνία αγοράς, αποτελούν αποδεικτικά της παρατεταμένης εγγύησης.
3. Η εγγύηση καλύπτει όλα τα ελαττώματα του προϊόντος, κατά τη διάρκεια της περιόδου εγγύησης, λόγω κατασκευαστικών ελαττωμάτων ή αστοχίας υλικού κατά την ημερομηνία αγοράς. Η εγγύηση περιορίζεται στην επισκευή και/ή την αντικατάσταση και δεν περιλαμβάνει καμία άλλη υποχρέωση, συμπεριλαμβανομένων, ενδεικτικά, συμπληρωματικών ή παρεπόμενων ζημιών. Η εγγύηση δεν ισχύει εφόσον, έχει σημειωθεί κακομεταχείριση του προϊόντος, δεν έχουν τηρηθεί οι οδηγίες του εγχειριδίου οδηγιών ή το προϊόν έχει συνδεθεί λανθασμένα. Η εγγύηση δεν ισχύει για:
 - οποιαδήποτε ζημία στο προϊόν, η οποία είναι αποτέλεσμα κακής συντήρησης
 - οποιοδήποτε προϊόν, το οποίο έχει αλλοιωθεί ή τροποποιηθεί
 - οποιοδήποτε προϊόν, στο οποίο έχει αλλοιωθεί, τροποποιηθεί ή αφαιρεθεί το γνήσιο αναγνωριστικό (σήμα κατατέθειν, σειριακός αριθμός)
 - οποιαδήποτε ζημία προκλήθει λόγω μη τήρησης του εγχειριδίου οδηγιών
 - οποιοδήποτε προϊόν χωρίς σήμανση CE
 - οποιοδήποτε προϊόν, στο οποίο έχει γίνει προσπάθεια επισκευής από μη καταρτισμένο επαγγελματία ή χωρίς την προηγούμενη έγκριση της Techtronic Industries.
 - οποιοδήποτε προϊόν, το οποίο έχει συνδεθεί σε ακατάλληλη παροχή ρεύματος (αμπερ, ισχύ, συχνότητα)
 - οποιαδήποτε ζημία έχει προκληθεί από εξωτερικές επιδράσεις (χημικές, φυσικές, κλιματιομετρικές) ή ξένες ουσίες
 - φυσιολογική φθορά και ρήξη ανταλλακτικών
 - ακατάλληλη χρήση, υπερφόρτωση του εργαλείου
 - χρήση μη ενδεδειγμένων εξαρτημάτων ή ανταλλακτικών
 - Εξαρτήματα ηλεκτρικών εργαλείων που παρασχεθήκαν με το εργαλείο ή αγοράστηκαν ξεχωριστά. Τέτοιες εξαρτηματικές περιλαμβανόμενες, ενδεικτικά, μύτες καταβίβου, τρυπάνια, δίσκοις λείανσης, γυαλόχαρτο και λειπίδες, πλευρικό οδηγό
 - Εξαρτήματα (ανταλλακτικά και αξεσουάρ) που υπόκεινται σε φυσική φθορά και θραύση, συμπεριλαμβανομένων, ενδεικτικά, σετ επισκευής & συντήρησης, ψηκτρών άνθρακα, εφεδράνων, τσoκ, εξαρτημάτων ή υποδοχών τρυπανιών SDS, καλωδίων ισχύος, βοηθητικής λαβής, βαλίτσας μεταφοράς, βάσης τριβείου, σακούλας συλλογής σκόνης, σωλήνα εξαναγκαστής σκόνης, ροδελών τόδoς, μωτών και ελατηρίων κροστικού κλειδιού κοχλίων, κτλ.
4. Το προϊόν θα πρέπει να αποσταλεί ή να παραδοθεί για επισκευή ή συντήρηση σε εξουσιοδοτημένο σημείο σέρβις της RYOBI που περιλαμβάνεται στον ακόλουθο κατάλογο διευθύνσεων για κάθε χώρα. Σε ορισμένες χώρες, το τοπικό σημείο πώλησης της RYOBI αναλαμβάνει την αποστολή του προϊόντος στο κεντρικό σέρβις της RYOBI. Κατά την αποστολή ενός προϊόντος σε σημείο σέρβις της RYOBI, αυτό θα πρέπει να είναι ασφαλισμένο συσκευασμένο, χωρίς επικίνδυνο περιεχόμενο, όπως πετρέλαιο, να φέρει τη διευθύνση του αποστολέα και να συνοδεύεται από σύντομη περιγραφή της βλάβης.
5. Η επιδιόρθωση / αντικατάσταση υπό την παρούσα εγγύηση παρέχεται δωρεάν. Δε συνιστά παράταση της περιόδου εγγύησης ή εκκίνηση νέας περιόδου εγγύησης. Τα μέρη που αντικαθίστανται περιέχονται στην κυριότητα μας. Σε ορισμένες χώρες, τα ενδεχόμενα έξοδα παραδοσης ή μεταφοράς βεβαιώνουν τον αποστολέα. Τα νόμιμα δικαιώματά σας, τα οποία απορρέουν από την αγορά του εργαλείου, δεν θίγονται.
6. Η παρούσα εγγύηση ισχύει στην Ευρωπαϊκή Κοινότητα, την Ελβετία, την Ισπανία, τη Νορβηγία, το Λιχτενστάιν, την Τουρκία και την Ρωσία. Εκτός των παραπάνω περιοχών, σας παρακαλούμε να επικοινωνήσετε με εξουσιοδοτημένο κατάστημα πώλησης της RYOBI, προκειμένου να διαπιστωθεί ένα ισχύει κάποια άλλη εγγύηση.

ΕΞΟΥΣΙΟΔΟΤΗΜΕΝΟ ΚΕΝΤΡΟ ΣΕΡΒΙΣ

Για να εντοπίσετε ένα εξουσιοδοτημένο κέντρο σέρβις στην περιοχή σας, επισκεφτείτε τη σελίδα <http://uk.ryobitools.eu/header/service-and-support/service-agents>.



EN DECLARATION OF CONFORMITY

Technronic Industries GmbH
Max-Eyth-Straße 10, 71364 Winnenden, Germany

Herewith we declare that the product
Bench grinder
Brand: RYOBI
Model number: RBG6G1
Serial number range: 47513101000001 - 47513101999999

is in conformity with the following European Directives and harmonised standards
2006/42/EC, 2014/30/EU, 2011/65/EU
EN 55014-1-2017; EN 55014-2-2015;
EN 61000-3-2-2014; EN 61000-3-3-2013;
EN 62841-1-2015; EN 62841-3-4:2016+A11:2017

RoHS documentation is compiled according to EN IEC 63000:2018

Todd Chipner
Sr. Director, CPT Quality and Asia Regulatory & Safety
Winnenden, Nov. 15, 2019



Authorised to compile the technical file:
Alexander Krug, Managing Director
Technronic Industries GmbH
Max-Eyth-Straße 10, 71364 Winnenden, Germany

FR DÉCLARATION DE CONFORMITÉ

Technronic Industries GmbH
Max-Eyth-Straße 10, 71364 Winnenden, Germany

Déclarons par la présente que le produit
Meule d'établi
Marque: RYOBI
Numéro de modèle: RBG6G1
Étendue des numéros de série: 47513101000001 - 47513101999999

est conforme aux Directives Européennes et Normes Harmonisées suivantes
2006/42/EC, 2014/30/EU, 2011/65/EU
EN 55014-1-2017; EN 55014-2-2015;
EN 61000-3-2-2014; EN 61000-3-3-2013;
EN 62841-1-2015; EN 62841-3-4:2016+A11:2017

La documentation RoHS a été dressée d'après EN IEC 63000:2018

Todd Chipner
Directeur principal, Qualité CPT et Réglementation/Sécurité pour la région Asie
Winnenden, Nov. 15, 2019



Autorisé à rédiger le dossier technique:
Alexander Krug, Directeur Général
Technronic Industries GmbH
Max-Eyth-Straße 10, 71364 Winnenden, Germany

DE KONFORMITÄTSERKLÄRUNG

Technronic Industries GmbH
Max-Eyth-Straße 10, 71364 Winnenden, Germany

Hiermit erklären wir, dass das Produkt
Schleifbock
Marke: RYOBI
Modellnummer: RBG6G1
Seriennummernbereich: 47513101000001 - 47513101999999

den folgenden europäischen Richtlinien und harmonisierten Normen entspricht
2006/42/EC, 2014/30/EU, 2011/65/EU
EN 55014-1-2017; EN 55014-2-2015;
EN 61000-3-2-2014; EN 61000-3-3-2013;
EN 62841-1-2015; EN 62841-3-4:2016+A11:2017

RoHS Dokumentation ist gemäß EN IEC 63000:2018 zusammengestellt

Todd Chipner
Sr. Director, Qualität CPT und Regulierung und Sicherheit in Asien
Winnenden, Nov. 15, 2019



Autorisiert die technische Datei zu erstellen:
Alexander Krug, Geschäftsführer
Technronic Industries GmbH
Max-Eyth-Straße 10, 71364 Winnenden, Germany

ES DECLARACIÓN DE CONFORMIDAD

Technronic Industries GmbH
Max-Eyth-Straße 10, 71364 Winnenden, Germany

Por la presente declaramos que los productos
Amoladora de banco
Marca: RYOBI
Número de modelo: RBG6G1
Intervalo del número de serie: 47513101000001 - 47513101999999

se encuentra en conformidad con las siguientes Directivas Europeas y normas armonizadas
2006/42/EC, 2014/30/EU, 2011/65/EU
EN 55014-1-2017; EN 55014-2-2015;
EN 61000-3-2-2014; EN 61000-3-3-2013;
EN 62841-1-2015; EN 62841-3-4:2016+A11:2017

Documentación sobre restricción de sustancias peligrosas (RoHS) recopilada según la norma EN IEC 63000:2018

Todd Chipner
Director principal, Calidad CPT y Normas y Seguridad para Asia
Winnenden, Nov. 15, 2019



Autorizado para elaborar la ficha técnica:
Alexander Krug, Administrador Ejecutivo
Technronic Industries GmbH
Max-Eyth-Straße 10, 71364 Winnenden, Germany

IT DICHIARAZIONE DI CONFORMITÀ

Technronic Industries GmbH
Max-Eyth-Straße 10, 71364 Winnenden, Germany

Si dichiara con la presente che il prodotto
Smerigliatrice da banco
Marca: RYOBI
Numero modello: RBG6G1
Gamma numero seriale: 47513101000001 - 47513101999999

è conforme alle seguenti Direttive Europee e ai seguenti standard armonizzati
2006/42/EC, 2014/30/EU, 2011/65/EU
EN 55014-1-2017; EN 55014-2-2015;
EN 61000-3-2-2014; EN 61000-3-3-2013;
EN 62841-1-2015; EN 62841-3-4:2016+A11:2017

La documentazione RoHS è stata compilata come indicato dalle norme EN IEC 63000:2018

Todd Chipner
Sig. Direttore, qualità CPT e sicurezza e normativa per l'Asia
Winnenden, Nov. 15, 2019



Autorizzato per compilare il file tecnico:
Alexander Krug, Direttore Amministrativo
Technronic Industries GmbH
Max-Eyth-Straße 10, 71364 Winnenden, Germany

NL CONFORMITEITSVERKLARING

Technronic Industries GmbH
Max-Eyth-Straße 10, 71364 Winnenden, Germany

Hierbij verklaren wij dat het product
Bankslijpmachine
Merk: RYOBI
Modelnummer: RBG6G1
Serienummerbereik: 47513101000001 - 47513101999999

is in overeenstemming met de volgende Europese Richtlijnen en geharmoniseerde normen
2006/42/EC, 2014/30/EU, 2011/65/EU
EN 55014-1-2017; EN 55014-2-2015;
EN 61000-3-2-2014; EN 61000-3-3-2013;
EN 62841-1-2015; EN 62841-3-4:2016+A11:2017

RoHS-documentatie is samengesteld in overeenstemming met EN IEC 63000:2018

Todd Chipner
Sr. Director, CPT Kwaliteit en Azië Regelgeving en veiligheid
Winnenden, Nov. 15, 2019



Afgevaardigde voor het samenstellen van de technische fiche:
Alexander Krug, Directeur
Technronic Industries GmbH
Max-Eyth-Straße 10, 71364 Winnenden, Germany



PT DECLARAÇÃO DE CONFORMIDADE

Techtronic Industries GmbH
Max-Eyth-Straße 10, 71364 Winnenden, Germany

Pelo presente declaramos que os produtos

Esmeriladora de Bancada
Marca: RYOBI
Número do modelo: RBG6G1
Intervalo do número de série: 47513101000001 - 47513101999999

se encontra em conformidade com as seguintes Directivas Europeias e normas harmonizadas

2006/42/EC, 2014/30/EU, 2011/65/EU
EN 55014-1:2017; EN 55014-2:2015;
EN 61000-3-2:2014; EN 61000-3-3:2013;
EN 62841-1:2015; EN 62841-3-4:2016+A11:2017

Documentação sobre restrição de substâncias perigosas (RoHS) compilada segundo a norma EN IEC 63000:2018

Todd Chipner
Diretor Sénior, Qualidade CPT e Assuntos Regulamentares e de Segurança da Ásia
Winnenden, Nov. 15, 2019

CE

Autorizado para compilar o ficheiro técnico:

Alexander Krug, Administrador Executivo
Techtronic Industries GmbH
Max-Eyth-Straße 10, 71364 Winnenden, Germany

DA OVERENSSTEMMELSESERKLÆRING

Techtronic Industries GmbH
Max-Eyth-Straße 10, 71364 Winnenden, Germany

Vi erklærer hermed, at produktet

Bænkstilber
Brand: RYOBI
Modelnummer: RBG6G1
Serienummerområde: 47513101000001 - 47513101999999

er i overensstemmelse med følgende EU-direktiver og harmoniserede standarder

2006/42/EC, 2014/30/EU, 2011/65/EU
EN 55014-1:2017; EN 55014-2:2015;
EN 61000-3-2:2014; EN 61000-3-3:2013;
EN 62841-1:2015; EN 62841-3-4:2016+A11:2017

RoHS-dokumentationen er udarbejdet i henhold til EN IEC 63000:2018

Todd Chipner
Hr. Direktør, CPT Quality and Asia Regulatory & Safety
Winnenden, Nov. 15, 2019

CE

Bemyndiget til at udarbejde det tekniske kartotek:

Alexander Krug, Administrerende Direktør
Techtronic Industries GmbH
Max-Eyth-Straße 10, 71364 Winnenden, Germany

SV KONFORMITETSDEKLARATION

Techtronic Industries GmbH
Max-Eyth-Straße 10, 71364 Winnenden, Germany

Härmed deklarerar vi att produkterna

Bänkslip
Märke: RYOBI
Modellnummer: RBG6G1
Serienummerintervall: 47513101000001 - 47513101999999

är i enlighet med följande EU-direktiv och harmoniserade standarder

2006/42/EC, 2014/30/EU, 2011/65/EU
EN 55014-1:2017; EN 55014-2:2015;
EN 61000-3-2:2014; EN 61000-3-3:2013;
EN 62841-1:2015; EN 62841-3-4:2016+A11:2017

RoHS-dokumentation sammanställd enligt EN IEC 63000:2018

Todd Chipner
Teknisk chef, CPT-kvalitet samt regelverk och säkerhet för Asien
Winnenden, Nov. 15, 2019

CE

Godkänd att sammanställa den tekniska filen:

Alexander Krug, VD
Techtronic Industries GmbH
Max-Eyth-Straße 10, 71364 Winnenden, Germany

FI SÄÄNNÖSTEN NOUDATTAMINEN

Techtronic Industries GmbH
Max-Eyth-Straße 10, 71364 Winnenden, Germany

Ilmoitamme täten, että tuotteet

Penkkihiomakone
Tuotemerkki: RYOBI
Mallinnumero: RBG6G1
Sarjanumeroalue: 47513101000001 - 47513101999999

noudattaa seuraavia EU-direktiivejä ja harmonoituja standardeja

2006/42/EC, 2014/30/EU, 2011/65/EU
EN 55014-1:2017; EN 55014-2:2015;
EN 61000-3-2:2014; EN 61000-3-3:2013;
EN 62841-1:2015; EN 62841-3-4:2016+A11:2017

RoHS-dokumentaatio on koottu standardin EN IEC 63000:2018 mukaisesti

Todd Chipner
Vanhempi, CPT-toimitusten laadusta ja Aasian alueen sääntelystä ja turvallisuudesta
vaastavaa johtaja
Winnenden, Nov. 15, 2019

CE

Valtuutettu kokoamaan tekninen tiedosto:

Alexander Krug, Toimitusjohtaja
Techtronic Industries GmbH
Max-Eyth-Straße 10, 71364 Winnenden, Germany

NO SAMSVARERKLÆRING

Techtronic Industries GmbH
Max-Eyth-Straße 10, 71364 Winnenden, Germany

Herved erklærer vi at produktet

Benkslipemaskin
Merke: RYOBI
Modellnummer: RBG6G1
Serienummerserie: 47513101000001 - 47513101999999

er i samsvar med følgende europeiske direktiver og harmoniserte standarder

2006/42/EC, 2014/30/EU, 2011/65/EU
EN 55014-1:2017; EN 55014-2:2015;
EN 61000-3-2:2014; EN 61000-3-3:2013;
EN 62841-1:2015; EN 62841-3-4:2016+A11:2017

RoHS dokumentasjonen er skrevet i samsvar med EN IEC 63000:2018

Todd Chipner
Sr. direktør, CPT kvalitet, samt juridisk og sikkerhet for Asia
Winnenden, Nov. 15, 2019

CE

Autorisert til å sette sammen den tekniske filen:

Alexander Krug, Administrerende Direktør
Techtronic Industries GmbH
Max-Eyth-Straße 10, 71364 Winnenden, Germany

RU ЗАЯВЛЕНИЕ О СООТВЕТСТВИИ ТРЕБОВАНИЯМ

Techtronic Industries GmbH
Max-Eyth-Straße 10, 71364 Winnenden, Germany

Настоящим мы заявляем, что данный продукт

Шлифовальный станок
Марка: RYOBI
Номер модели: RBG6G1
Диапазон заводских номеров: 47513101000001 - 47513101999999

соответствует требованиям следующих Директив ЕС и согласованных стандартов

2006/42/EC, 2014/30/EU, 2011/65/EU
EN 55014-1:2017; EN 55014-2:2015;
EN 61000-3-2:2014; EN 61000-3-3:2013;
EN 62841-1:2015; EN 62841-3-4:2016+A11:2017

Документация RoHS соответствует стандарту EN IEC 63000:2018

Todd Chipner
Г-н Директор по контролю качества продукции CPT, нормативов и безопасности
в Азиатском регионе
Winnenden, Nov. 15, 2019

CE

Лицо, ответственное за подготовку технической документации:

Alexander Krug, Директор
Techtronic Industries GmbH
Max-Eyth-Straße 10, 71364 Winnenden, Germany



PL DEKLARACJA ZGODNOŚCI

Techtronic Industries GmbH
Max-Eyth-Straße 10, 71364 Winnenden, Germany

Niniejszym deklarujemy, że produkty

Szłifierka stolowa
Marka: RYOBI
Numer modelu: RBG6G1
Zakres numerów seryjnych: 47513101000001 - 47513101999999

jest zgodny z następującymi dyrektywami europejskimi i zharmonizowanymi normami

2006/42/EC, 2014/30/EU, 2011/65/EU
EN 55014-1:2017; EN 55014-2:2015;
EN 61000-3-2:2014; EN 61000-3-3:2013;
EN 62841-1:2015; EN 62841-3-4:2016+A11:2017

Dokumentacja RoHS została opracowana zgodnie z normą EN IEC 63000:2018

Todd Chipner
Starszy dyrektor ds. jakości elektronarzędzi konsumenckich oraz przepisów i bezpieczeństwa na Azję
Winnenden, Nov. 15, 2019



Osoba upoważniona do sporządzenia dokumentu technicznego:

Alexander Krug, Dyrektor Zarządzający
Techtronic Industries GmbH
Max-Eyth-Straße 10, 71364 Winnenden, Germany

RO DECLARAȚIE DE CONFORMITATE

Techtronic Industries GmbH
Max-Eyth-Straße 10, 71364 Winnenden, Germany

Prin prezenta, declarăm că produsele

Polizor de banc
Marcă: RYOBI
Număr serie: RBG6G1
Gamă număr serie: 47513101000001 - 47513101999999

este în conformitate cu următoarele Directive Europene și standarde armonizate

2006/42/EC, 2014/30/EU, 2011/65/EU
EN 55014-1:2017; EN 55014-2:2015;
EN 61000-3-2:2014; EN 61000-3-3:2013;
EN 62841-1:2015; EN 62841-3-4:2016+A11:2017

Documentația RoHS este întocmită în conformitate cu EN IEC 63000:2018

Todd Chipner
Director Senior, Calitate Unelte Electrice și Siguranță & Reglementare Asia
Winnenden, Nov. 15, 2019



Autorizat să completeze fișa tehnică:

Alexander Krug, Director General
Techtronic Industries GmbH
Max-Eyth-Straße 10, 71364 Winnenden, Germany

CS PROHLÁŠENÍ O SHODĚ

Techtronic Industries GmbH
Max-Eyth-Straße 10, 71364 Winnenden, Germany

Tímto prohlašujeme, že výrobky

Stolní bruska
Značka: RYOBI
Číslo modelu: RBG6G1
Rozsah sériových čísel: 47513101000001 - 47513101999999

že tento výrobek je v souladu s evropskými a harmonizovanými standardy

2006/42/EC, 2014/30/EU, 2011/65/EU
EN 55014-1:2017; EN 55014-2:2015;
EN 61000-3-2:2014; EN 61000-3-3:2013;
EN 62841-1:2015; EN 62841-3-4:2016+A11:2017

RoHS dokumentace sestavena dle EN IEC 63000:2018

Todd Chipner
Vrchní ředitel, jakost elektrického nářadí (CPT) a předpisy a bezpečnost pro Asii
Winnenden, Nov. 15, 2019



Pověření ke kompilaci technického souboru:

Alexander Krug, Generální ředitel
Techtronic Industries GmbH
Max-Eyth-Straße 10, 71364 Winnenden, Germany

LV ATBILSTĪBAS DEKLARĀCIJA

Techtronic Industries GmbH
Max-Eyth-Straße 10, 71364 Winnenden, Germany

Ar šo paziņojam, ka produkti

Sola slīpmašīna
Zīmols: RYOBI
Modeļa numurs: RBG6G1
Sērijas numura intervāls: 47513101000001 - 47513101999999

atbilst šādām Eiropas direktīvām un saskaņotajiem standartiem

2006/42/EC, 2014/30/EU, 2011/65/EU
EN 55014-1:2017; EN 55014-2:2015;
EN 61000-3-2:2014; EN 61000-3-3:2013;
EN 62841-1:2015; EN 62841-3-4:2016+A11:2017

RoHS dokumentācija ir izstrādāta saskaņā ar EN IEC 63000:2018

Todd Chipner
Vecākais Direktors, CPT kvalitāte un Āzijas atbilstība un drošība
Winnenden, Nov. 15, 2019



Pilnvarots sastādīt tehnisko failu:

Alexander Krug, Izpildedirektors
Techtronic Industries GmbH
Max-Eyth-Straße 10, 71364 Winnenden, Germany

HU MEGFELELŐSÉGI NYILATKOZAT

Techtronic Industries GmbH
Max-Eyth-Straße 10, 71364 Winnenden, Germany

Ezúton kijelentjük, hogy a termék

Asztali kőszűrőgép
Márka: RYOBI
Típuszám: RBG6G1
Sorozatszám tartomány: 47513101000001 - 47513101999999

megfelel az alábbi Európai Irányelvek és harmonizált szabványok vonatkozó rendelkezéseinek

2006/42/EC, 2014/30/EU, 2011/65/EU
EN 55014-1:2017; EN 55014-2:2015;
EN 61000-3-2:2014; EN 61000-3-3:2013;
EN 62841-1:2015; EN 62841-3-4:2016+A11:2017

A RoHS dokumentáció összeállítására az EN IEC 63000:2018 szerint történt

Todd Chipner
Senior igazgató, CPT minőség, ázsiai szabályozás és biztonság
Winnenden, Nov. 15, 2019



A műszaki dokumentáció összeállítására felhatalmazott:

Alexander Krug, Ügyvezető Igazgató
Techtronic Industries GmbH
Max-Eyth-Straße 10, 71364 Winnenden, Germany

LT ATITIKTIES PAREIŠKIMAS

Techtronic Industries GmbH
Max-Eyth-Straße 10, 71364 Winnenden, Germany

Mes pareiškiamo, kad šie produktai

Stalinis šlifluotuvas
Prekės ženklas: RYOBI
Modelio numeris: RBG6G1
Serijinio numerio diapazonas: 47513101000001 - 47513101999999

pagamintas laikantis toliau nurodytųjų Europos Direktyvų ir darniųjų standartų

2006/42/EC, 2014/30/EU, 2011/65/EU
EN 55014-1:2017; EN 55014-2:2015;
EN 61000-3-2:2014; EN 61000-3-3:2013;
EN 62841-1:2015; EN 62841-3-4:2016+A11:2017

Tam tikrų pavojingų medžiagų naudojimo elektros ir elektroninėje įrangoje apri bojimo dokumentai sudaryti pagal standartą EN IEC 63000:2018

Todd Chipner
Vyr. direktorius, BEJ kokybės ir reglamentavimo bei saugos Azijoje skyrius
Winnenden, Nov. 15, 2019



Įgaliojats sudaryti techninį failą:

Alexander Krug, Generalinis Direktorius
Techtronic Industries GmbH
Max-Eyth-Straße 10, 71364 Winnenden, Germany



ET VASTAVUSDEKLARATSIOON

Techtronic Industries GmbH
Max-Eyth-Straße 10, 71364 Winnenden, Germany

Kinnitame, et see toode

Lauakäi
Mark: RYOBI
Mudelil number: RBG6G1
Seeriainumbri vahemik: 47513101000001 - 47513101999999

vastab järgmistele Euroopa direktiividele ja harmoniseeritud standarditele

2006/42/EC, 2014/30/EU, 2011/65/EU
EN 55014-1-2017; EN 55014-2-2015;
EN 61000-3-2-2014; EN 61000-3-3-2013;
EN 62841-1-2015; EN 62841-3-4:2016+A11:2017

RoHS dokumentid on koostatud vastavuses standardi EN IEC 63000:2018 nõuetele.



Todd Chipner
Vanemdirektor, mootorõõristade kvaliteeti ning Aasia järelevalve ja ohutus
Winnenden, Nov. 15, 2019


Tehnilise faili koostamiseks volitatud isik:

Alexander Krug, Tegevdirektor
Techtronic Industries GmbH
Max-Eyth-Straße 10, 71364 Winnenden, Germany

HR IZJAVA O USKLADENOSTI

Techtronic Industries GmbH
Max-Eyth-Straße 10, 71364 Winnenden, Germany

Ovime izjavujemo da su proizvodi

Stolna brusilica
Marka: RYOBI
Broj modela: RBG6G1
Raspon serijskog broja: 47513101000001 - 47513101999999

usklađen sa sljedećim Europskim Direktivama i usklađenim normama

2006/42/EC, 2014/30/EU, 2011/65/EU
EN 55014-1-2017; EN 55014-2-2015;
EN 61000-3-2-2014; EN 61000-3-3-2013;
EN 62841-1-2015; EN 62841-3-4:2016+A11:2017

RoHS dokumentacija sukladna je EN IEC 63000:2018



Todd Chipner
Viši direktor, Odjel za upravljanje kvalitetom CPT alata, regulative i sigurnosti za područje
Azije
Winnenden, Nov. 15, 2019


Ovlašten da sastavi tehničku datoteku:

Alexander Krug, Direktor Upravljanja
Techtronic Industries GmbH
Max-Eyth-Straße 10, 71364 Winnenden, Germany

SL IZJAVA O SKLADNOSTI

Techtronic Industries GmbH
Max-Eyth-Straße 10, 71364 Winnenden, Germany

Izjavljamo, da je izdelek

Dvojkotučovna stolovna bruska
Znamka: RYOBI
Številka modela: RBG6G1
Razpon serijskih števil: 47513101000001 - 47513101999999

v skladu s sledečimi evropskimi direktivami in harmoniziranimi standardi

2006/42/EC, 2014/30/EU, 2011/65/EU
EN 55014-1-2017; EN 55014-2-2015;
EN 61000-3-2-2014; EN 61000-3-3-2013;
EN 62841-1-2015; EN 62841-3-4:2016+A11:2017

Dokumentacija RoHS je sestavljena skladno s standardom EN IEC 63000:2018



Todd Chipner
Višji direktor, oddelek za kakovost potrošniškega električnega orodja ter regulativo in
varnost za Azijo
Winnenden, Nov. 15, 2019


Pooblaščen oseba za sestavo tehnične dokumentacije:

Alexander Krug, Izvršni Direktor
Techtronic Industries GmbH
Max-Eyth-Straße 10, 71364 Winnenden, Germany

SK PREHLÁSENIE O ZHODE

Techtronic Industries GmbH
Max-Eyth-Straße 10, 71364 Winnenden, Germany

Týmto vyhlasujeme, že výrobok

Namizni brusilnik
Značka: RYOBI
Číslo modelu: RBG6G1
Rozsah sériových čísel: 47513101000001 - 47513101999999

je v súlade s nasledujúcimi Európskymi smernicami a harmonizovanými normami

2006/42/EC, 2014/30/EU, 2011/65/EU
EN 55014-1-2017; EN 55014-2-2015;
EN 61000-3-2-2014; EN 61000-3-3-2013;
EN 62841-1-2015; EN 62841-3-4:2016+A11:2017

Dokumentácia RoHS je zostavená podľa EN IEC 63000:2018



Todd Chipner
vyšší riaditeľ, kvalita spotrebiteľského elektrického náradia, regulačné záležitosti pre
Áziu a bezpečnosť
Winnenden, Nov. 15, 2019


Oprávnená osoba na zostavenie technického súboru:

Alexander Krug, Generálny Riaditeľ
Techtronic Industries GmbH
Max-Eyth-Straße 10, 71364 Winnenden, Germany

BG ДЕКЛАРАЦИЯ НА ЗА СЪОТВЕТСТВИЕ

Techtronic Industries GmbH
Max-Eyth-Straße 10, 71364 Winnenden, Germany

С настоящето декларираме, че продуктите

Шмиргел
Марка: RYOBI
Номер на модела: RBG6G1
Обхват на серийни номера: 47513101000001 - 47513101999999

отговаря на следните директиви на ЕС и хармонизирани стандарти

2006/42/EC, 2014/30/EU, 2011/65/EU
EN 55014-1-2017; EN 55014-2-2015;
EN 61000-3-2-2014; EN 61000-3-3-2013;
EN 62841-1-2015; EN 62841-3-4:2016+A11:2017

Документацията за RoHS е съставена в съответствие с EN IEC 63000:2018.



Todd Chipner
Главен директор, Качество на CPT и нормативно съответствие и безопасност за
Азия
Winnenden, Nov. 15, 2019


Упълномощено лице за съставяне на техническия файл:

Alexander Krug, Изпълнителен Директор
Techtronic Industries GmbH
Max-Eyth-Straße 10, 71364 Winnenden, Germany

UK ДЕКЛАРАЦИЯ ПРО ВІДПОВІДНІСТЬ

Techtronic Industries GmbH
Max-Eyth-Straße 10, 71364 Winnenden, Germany

При цьому ми заявляємо, що продукт

Настільний шліфувальний верстат
Марка: RYOBI
Номер моделі: RBG6G1
Діапазон серійного номеру: 47513101000001 - 47513101999999

у відповідності з наступними європейськими директивами та гармонізованими стандартами

2006/42/EC, 2014/30/EU, 2011/65/EU
EN 55014-1-2017; EN 55014-2-2015;
EN 61000-3-2-2014; EN 61000-3-3-2013;
EN 62841-1-2015; EN 62841-3-4:2016+A11:2017

Документация RoHS складена відповідно до EN IEC 63000:2018



Todd Chipner
Ген. директор з питань якості CPT, і регулювання охорони праці та техніки безпеки
в Азії
Winnenden, Nov. 15, 2019


Дозвіл на складання технічного файлу:

Alexander Krug, Керуючий директор
Techtronic Industries GmbH
Max-Eyth-Straße 10, 71364 Winnenden, Germany

**TR** UYGUNLUK BEYANI

Techtronic Industries GmbH
Max-Eyth-Straße 10, 71364 Winnenden, Germany

Boylelikle beyan ederiz ki; ürün
Tezgaah Üstü Taşlama Makinesi
Marka: RYOBI
Model numarası: RBG6G1
Seri numarası aralığı: 47513101000001 - 47513101999999

aşağıdaki Avrupa Direktifleri ve uyumlaştırılmış standartlara uygundur
2006/42/EC, 2014/30/EU, 2011/65/EU
EN 55014-1:2017; EN 55014-2:2015;
EN 61000-3-2:2014; EN 61000-3-3:2013;
EN 62841-1:2015; EN 62841-3-4:2016+A11:2017

RoHS belgeleri EN IEC 63000:2018 uyarınca derlenmiştir

Todd Chipner
Kıdemli Direktör, CPT Kalitesi ve Asya Düzeneleme ve Güvenlik
Winnenden, Nov. 15, 2019

Teknik dosya hazırlamaya yetkilidir:
Alexander Krug, Genel Müdür
Techtronic Industries GmbH
Max-Eyth-Straße 10, 71364 Winnenden, Germany

**EL** ΔΗΛΩΣΗ ΣΥΜΜΟΡΦΩΣΗΣ

Techtronic Industries GmbH
Max-Eyth-Straße 10, 71364 Winnenden, Germany

Δια του παρόντος δηλώνουμε ότι το προϊόν
Τριβείο πάγκου
Μάρκα: RYOBI
Αριθμός μοντέλου: RBG6G1
Εύρος σειριακών αριθμών: 47513101000001 - 47513101999999

είναι σύμφωνα με τις παρακάτω Ευρωπαϊκές Οδηγίες και εναρμονισμένα πρότυπα
2006/42/EC, 2014/30/EU, 2011/65/EU
EN 55014-1:2017; EN 55014-2:2015;
EN 61000-3-2:2014; EN 61000-3-3:2013;
EN 62841-1:2015; EN 62841-3-4:2016+A11:2017

Τα έγγραφα RoHS συντάσσονται σύμφωνα με το EN50581:2012

Todd Chipner
Ανώτερος Διευθυντής, Υπεύθυνος CPT Ασίας για Ποιότητα & Ασφάλεια
Winnenden, Nov. 15, 2019

Εξουσιοδοτημένο άτομο για σύνταξη τεχνικού αρχείου:
Alexander Krug, Διευθυντής Σύμβουλος
Techtronic Industries GmbH
Max-Eyth-Straße 10, 71364 Winnenden, Germany



- EN** RYOBI is a trademark of Ryobi Limited, and is used under license.
© 2019 Techtronic Cordless GP. All rights reserved.
- FR** RYOBI est une marque déposée de Ryobi Limited, et est utilisée sous licence.
© 2019 Techtronic Cordless GP. Tous droits réservés.
- DE** RYOBI ist ein Markenzeichen von Ryobi Limited und wird in Lizenz verwendet.
© 2019 Techtronic Cordless GP. Alle Rechte vorbehalten.
- ES** RYOBI es una marca registrada de Ryobi Limited, y se utiliza bajo licencia.
© 2019 Techtronic Cordless GP. Todos los derechos reservados.
- IT** L'utilizzo del marchio registrato RYOBI è legato alla licenza concessa da Ryobi Limited.
© 2019 Techtronic Cordless GP. Tutti i diritti riservati.
- NL** RYOBI is een handelsmerk van Ryobi Limited en wordt onder licentie gebruikt.
© 2019 Techtronic Cordless GP. Alle rechten voorbehouden.
- PT** RYOBI é uma marca comercial de Ryobi Limited, e é utilizada sob licença.
© 2019 Techtronic Cordless GP. Todos os direitos reservados.
- DA** RYOBI er et varemærke tilhørende Ryobi Limited og bruges under licens.
© 2019 Techtronic Cordless GP. Alle rettigheder forbeholdes.
- SV** RYOBI är en del av varumärke Ryobi Limited och dess användning är licensierad.
© 2019 Techtronic Cordless GP. Alla rättigheter förbehålls.
- FI** RYOBI on Ryobi Limitedin omistama tavaramerkki, ja sitä käytetään lisenssin puitteissa.
© 2019 Techtronic Cordless GP. Kaikki oikeudet pidätetään.
- NO** RYOBI er et varemærke for Ryobi Limited, og brukes under lisens.
© 2019 Techtronic Cordless GP. Alle rettigheter forbeholdt.
- RU** RYOBI является товарным знаком компании Ryobi Limited, используемым по лицензии.
© 2019 Techtronic Cordless GP. Все права защищены.
- PL** RYOBI to znak towarowy firmy Ryobi Limited i jest używany zgodnie z udzieloną licencją.
© 2019 Techtronic Cordless GP. Wszelkie prawa zastrzeżone.
- CS** RYOBI je ochranná známka společnosti Ryobi Limited a její používání podléhá licenci.
© 2019 Techtronic Cordless GP. Všechna práva vyhrazena.
- HU** A RYOBI a Ryobi Limited védjegye, használatá licenc keretében történik.
© 2019 Techtronic Cordless GP. Minden jog fenntartva.
- RO** RYOBI este o marcă comercială a firmei Ryobi Limited și este utilizată sub licență.
© 2019 Techtronic Cordless GP. Toate drepturile rezervate.
- LV** RYOBI ir Ryobi Limited preču zīme un tiek izmantota saskaņā ar licenci.
© 2019 Techtronic Cordless GP. Visas tiesības aizsargātas.
- LT** „RYOBI” yra „Ryobi Limited” prekės ženklas, naudojamas pagal licenciją.
© 2019 Techtronic Cordless GP. Visos teisės saugomos.
- ET** RYOBI on ettevõtte Ryobi Limited kaubamärk, mida kasutatakse litsentsi alusel.
© 2019 Techtronic Cordless GP. Kõik õigused kaitstud.
- HR** RYOBI je žig tvrtke Ryobi Limited i koristi se po licenci.
© 2019 Techtronic Cordless GP. Sva prava pridržana.
- SL** RYOBI je blagovna znamka družbe Ryobi Limited in se uporablja na podlagi dovoljenja.
© 2019 Techtronic Cordless GP. Vse pravice pridržane.
- SK** RYOBI je ochranná známka spoločnosti Ryobi Limited a používa sa na základe licencie.
© 2019 Techtronic Cordless GP. Všetky práva vyhradené.
- BG** RYOBI е търговска марка на Ryobi Limited и се използва под лиценз.
© 2019 Techtronic Cordless GP. Всички права запазени.
- UK** RYOBI є товарним знаком Ryobi Limited, і використовується за ліцензією.
© 2019 Techtronic Cordless GP. Усі права зберігаються.
- TR** RYOBI, Ryobi Limited şirketine ait olup, lisans altında kullanılan bir ticari markadır.
© 2019 Techtronic Cordless GP. Tüm hakları saklıdır.
- EL** Το RYOBI αποτελεί εμπορικό σήμα της Ryobi Limited και χρησιμοποιείται μετά από χορήγηση άδειας.
© 2019 Techtronic Cordless GP. Με επιφύλαξη παντός δικαιώματος.





Techtronic Industries GmbH
Max-Eyth-Straße 10,
71364 Winnenden, Germany

20191223v7b