

RYOBI®

RHT25X55R

ORIGINAL INSTRUCTIONS
TRADUCTION DES INSTRUCTIONS ORIGINALES
ÜBERSETZUNG DER ORIGINALANLEITUNG
TRADUCCIÓN DE LAS INSTRUCCIONES ORIGINALES
TRADUZIONE DELLE ISTRUZIONI ORIGINALI
VERTALING VAN DE ORIGINELE INSTRUCTIES
TRADUÇÃO DAS INSTRUÇÕES ORIGINAIS
OVERSÆTTELSE AF DE ORIGINALE INSTRUKTIONER
ÖVERSÄTTNING AV DE URSPRUNGLIGA INSTRUKTIONERNA
ALKUPERÄISTEN OHJEIDEN SUOMENNO
OVERSETTELSE AV DE ORIGINALE INSTRUKSJONENE
ПЕРЕВОД ОРИГИНАЛЬНЫХ ИНСТРУКЦИЙ
TŁUMACZENIE INSTRUKCJI ORYGINALNEJ
PŘEKLAD ORIGINÁLNÍCH POKYNŮ
AZ EREDETI ÚTMUTATÓ FORDÍTÁSA
TRADUCEREA INSTRUCȚIUNILOR ORIGINALE
TULKOTS NO ORIĢINĀLĀS INSTRUKCIJAS
ORIGINALIŲ INSTRUKCIJŲ VERTIMAS
ORIGINAALJUHENDI TÕLGE
PRIJEVOD ORIGINALNIH UPUTA
PREVOD ORIGINALNIH NAVODIL
PREKLAD ORIGINÁLNYCH POKYNOV
ПРЕВОД ОТ ОРИГИНАЛНИТЕ ИНСТРУКЦИИ
ПЕРЕКЛАД ОРИГИНАЛЬНИХ ИНСТРУКЦІЙ
ORIJINAL TALÍMATLAR



EN
FR
DE
ES
IT
NL
PT
DA
SV
FI
NO
RU
PL
CS
HU
RO
LV
LT
ET
HR
SL
SK
BG
UK
TR



- Important!** It is essential that you read the instructions in this manual before assembling, maintaining and operating the product.
- Attention!** Il est essentiel que vous lisiez les instructions contenues dans ce manuel avant d'assembler, d'entretenir et d'utiliser le produit.
- Achtung!** Es ist wichtig, dass Sie vor Zusammenbau, Wartung und Benutzung des Produktes die Anweisungen in dieser Anleitung lesen.
- ¡Atención!** Resulta fundamental que lea este manual de instrucciones antes de realizar el montaje, el mantenimiento y de utilizar este producto
- Attenzione!** È importante leggere le istruzioni contenute nel presente manuale prima di montare il prodotto, svolgere le operazioni di manutenzione sullo stesso e metterlo in funzione.
- Let op!** Het is van essentieel belang dat u de instructies in deze gebruiksaanwijzing leest voor u het product monteert, onderhoudt en gebruikt.
- Atenção!** É fundamental que leia as instruções deste manual antes da montagem, manutenção e operação do aparelho.
- OBS!** Det er vigtigt, at man læser instrukserne i denne brugsanvisning, inden man samler, vedligeholder og betjener produktet.
- Observera!** Det är viktigt att du läser instruktionerna i manualen före montering, användning och underhåll av produkten.
- Huomio!** On tärkeää, että luet tämän käsikirjan ohjeet ennen tuotteen kokoamista, huoltoa ja käyttöä.
- Advarsel!** Det er viktig at du leser instruksjonene i denne manualen før sammensetning, vedlikehold og bruk av produktet
- Внимание!** Необходимо прочитать инструкции в данном руководстве перед сборкой, обслуживанием и эксплуатацией этого изделия.
- Uwaga!** Koniecznie należy przeczytać instrukcje zawarte w tym podręczniku przed montażem, obsługą oraz konserwacją produktu.
- Důležité upozornění!** Neinstalujte, neprovádějte údržbu ani nepoužívejte tento výrobek dříve, než si přečtete pokyny uvedené v tomto návodu.
- Figyelem!** Fontos, hogy a termék összeszerelése, karbantartása és használatá elött elolvassa a kézikönyvben található utasításokat.
- Atenție!** Este esențial să citiți instrucțiunile din acest manual înainte de asamblare, efectuarea întreinerii și operarea produsului.
- Uzmanību!** Ir svarīgi izlasīt šīs rokasgrāmatas instrukcijas pirms uzstādīšanas, apkopes un precas darbināšanas.
- Dėmesio!** Prieš surenkant, prižiūrint ir naudojam gaminį, būtina perskaityti šiam vadove pateiktus nurodymus.
- Tähtis!** Enne masina kokkupanekut, hooldamist ja kasutama hakkamist tuleb käesolevas juhendis esitatud juhised kindlasti läbi lugeda.
- Upozorenje!** Vrlo je važno da ste prije sklapanja, održavanja i rada s ovim proizvodom pročitali upute u ovom priručniku.
- Pomembno!** Pomembno je da pred montažo vzdrževanjem in uporabo tega izdelka preberete navodila v tem priročniku.
- Upozornenie!** Je dôležité, aby ste si pred montážou, údržbou a obsluhou produktu prečítali pokyny v tomto návode.
- Важно!** Исключительно важно е да прочетете инструкциите в настоящото ръководство, преди да преминете към сглобяване, поддръжка или работа с продукта.
- Важливо!** Дуже важливо, щоб ви прочитали інструкції в цьому керівництві перед складанням, обслуговуванням та експлуатацією цієї машини.
- Önemli!** Ürünü monte etmeden, kullanmadan ve bakımını yapmadan önce bu kılavuzdaki talimatları okumanız önemlidir.

Subject to technical modification | Sous réserve de modifications techniques | Technische Änderungen vorbehalten | Bajo reserva de modificaciones técnicas | Con riserva di eventuali modifiche tecniche | Technische wijzigingen voorbehouden | Com reserva de modificações técnicas | Med forbehold for tekniske ændringer | Med förbehåll för tekniska ändringar | Tekniset muutokset varataan | Med forbehold om tekniske endringer | могут быть внесены технические изменения | Z zastrzeżeniem modyfikacji technicznych | Změny technických údajů vyhrazeny | A műszaki módosítás jogát fenntartjuk | Sub rezerva modificărilor tehnice | Paturam tiesības mainīt tehniskos raksturlielumus | Pasīlielikant teisę daryti techninius pakeitimus | Tehnilised muudatused võimalikud | Podloženo tehničkim promjenama | Tehnične spremembe dopuščene | Právo na technické zmeny je vyhradené | Подлежи на технически модификации | Є об'єктом для технічних змін | Teknik değişikliğe tabidir.



Safety, performance, and dependability have been given top priority in the design of your petrol hedge trimmer.

INTENDED USE

The petrol hedge trimmer is intended to be used only by adults who have read and understood the instructions and warnings in this manual and can be considered responsible for their actions.

The product is only intended for use outdoors in a well-ventilated area. For safety reasons, the product must be adequately controlled by using two-handed operation.

The product is designed for home or domestic use. It is intended to cut and trim hedges, shrubs, and similar vegetation where stems or twigs are less than 28 mm thick. It should be used in dry, well-illuminated conditions.

It is not intended to cut grass, trees, or branches. It should not be used for any other purpose than hedge trimming.

⚠ WARNING

To avoid serious personal injury, do not attempt to use the product until you read thoroughly and understand completely these instructions. Save these instructions and review frequently for continuing safe operation and instructing others who may use the product.

Save these instructions.

GENERAL SAFETY WARNINGS

⚠ WARNING

Read all safety warnings and all instructions. Failure to follow the warnings and instructions may result in electric shock, fire, and/or serious injury. Save all warnings and instruction for future reference.

PREPARATION

⚠ WARNING

The hedge trimmer can cause serious injuries. Read the instructions carefully for the correct handling, preparation, maintenance, starting, and stopping of the hedge trimmer. Become familiar with all the controls and the proper use of the hedge trimmer.

- Do not allow children or untrained individuals to use the product.
- Beware of overhead power lines.
- Keep all bystanders, children, and pets at least 15 m away. Avoid operating while people, especially children, are nearby.
- Dress properly. Do not wear loose clothing or jewellery, which can become entangled in moving parts.

⚠ WARNING

The operation of any power tool can result in foreign objects being thrown into your eyes, which can result in severe eye injury. Before operating the product, always wear safety goggles or safety glasses with side shields and, when needed, a full face shield. Ryobi recommends wide vision safety mask for use over eyeglasses or standard safety glasses with side shields.

- Do not operate the equipment when barefoot or when wearing sandals or similar lightweight footwear. Wear non-skid, protective footwear that will protect your feet and improve your footing on slippery surfaces.

⚠ WARNING

Exercise extreme caution when handling fuel. Petrol is flammable and the vapours are toxic and explosive.

- Use only fuel containers which are approved for petrol.
- Add fuel before starting the engine. Never remove the cap of the fuel tank or add fuel while the engine is running or when the engine is hot.
- Do not smoke.
- Always refuel outdoors. Never refuel indoors or in a poorly ventilated area. Keep away from all sources of ignition, sparks, and flames.
- Never store the product with fuel in the fuel tank inside a building where ignition sources are present, such as hot water and space heaters, clothes dryers, and the like.
- Wipe spilled fuel from the product. Move 9 m away from refuelling site before starting engine.
- Replace all fuel tank and container caps securely.
- If the fuel tank has to be drained, do this outdoors.
- If the cutting mechanism strikes any foreign object or the hedge trimmer starts making any unusual noise or vibration, shut off the power source and allow the hedge trimmer to stop. Disconnect the spark plug wire from the spark plug and take the following steps:
 - inspect for damage
 - check for, and replace, any loose parts.Damaged parts should be replaced or repaired immediately with parts having equivalent specifications.

⚠ WARNING

The product is extremely noisy in operation. You must wear ear protection to reduce the risk of long term hearing injury.

⚠ WARNING

Always wear safety goggles or safety glasses with side shields when operating the product. Failure to do so could result in objects being thrown into your eyes resulting in possible serious injury.

- To stop the hedge trimmer in an emergency. Press the on/off switch to the "O" (off) position.



OPERATION

- Always stop the engine, disconnect the spark plug cap from the spark plug, allow it to cool, and make sure all moving parts have come to a complete stop before:
 - refuelling
 - adjusting the working position or the rear handle position
 - leaving the product unattended
 - cleaning the product
 - changing the accessories
 - clearing blockages
 - checking for any damage after hitting an object
 - checking for any damage if the product starts to vibrate abnormally
 - performing maintenance
- Only start the engine when the hedge trimmer is in a safe working position. The manufacturer recommends that the product is placed on the ground where the blades cannot contact anything before you start the engine.
- While operating the hedge trimmer, do not overreach or stand on unstable support. Keep proper footing and balance at all times. The manufacturer does not recommend the use of steps or ladders. If higher trimming is required, use an extended reach tool.
- Do not operate the product with a damaged or excessively-worn cutting device.
- To reduce fire hazard, keep the engine and the silencer free of debris, leaves, or excessive lubricant.
- Always ensure that all handles and guards are fitted when using the hedge trimmer. Never attempt to use an incomplete hedge trimmer or one fitted with an unauthorised modification.
- Always use two hands to operate the hedge trimmer which is fitted with two handles.
- Familiarise yourself with your surroundings and be on the alert for possible hazards which you may not notice because of the noise from the hedge trimmer.

ADDITIONAL WARNINGS

- Do not operate the engine in a confined space where dangerous carbon monoxide fumes can collect. Carbon monoxide is a colourless, odourless, and an extremely dangerous gas which can cause unconsciousness or death.
- Do not use the hedge trimmer when you are tired, ill, or under the influence of alcohol, drugs, or medication.
- Ensure before each use that all controls and safety devices function correctly. Do not use the product if the "off" switch does not stop the engine. The defective switch must be replaced by an authorised service centre.
- Inspect the hedge trimmer before each use. Check for fuel leaks or loose fasteners, etc. Do not operate if fuel is leaking or handles and guards are not secure and fully functional.
- Secure long hair so it is above shoulder level to prevent entanglement in moving parts.

- Do not operate in poor lighting. The operator requires a clear view of the work area to identify potential hazards.
- Check the work area before each use. Remove all foreign objects such as posts, wire, or string which may damage or become entangled in moving parts or cutting means.
- Check constantly for persons or animals behind or inside any hedge or bush to be trimmed. Operating similar tools nearby increases both the risk of hearing injury and the potential for other persons to enter your working area.
- Check all nuts, bolts, and screws at frequent intervals for proper tightness to ensure the product is in safe working condition. Any part that is damaged should be properly repaired or replaced by an authorised service centre before use.

⚠ WARNING

When the throttle trigger is released and the engine is running at idle speed, the cutting attachment or blade must not move. If it does continue to move, there is risk of severe injury to the operator. Do not use the product. Bring it to an authorised service centre for professional adjustment.

- Do not touch the area around the silencer or engine of the product, these parts get very hot during operation.
- Do not modify the product in any way
- Do not force the hedge trimmer through heavy shrubbery. This can cause the blades to bind and slow down. If the blades slow down, reduce the pace.
- Do not attempt to cut stems or twigs that are larger than 28 mm thick, or those obviously too large to feed into the cutting blade. Use a non-powered hand saw or pruning saw to trim large stems.
- Ensure to keep a running or hot engine and silencer well away from combustible materials to reduce the risk of fire.

TRANSPORTATION AND STORAGE

- Stop the engine and allow it to cool before storing or transporting.
- Clean all foreign material from the product.
- Cover the blade with the blade protector (scabbard).
- Drain all fuel from the tank into a container approved for petrol. Remember to properly replace and tighten the fuel cap.
- Run the engine until it stops. This will remove all fuel that could become stale and leave varnish and gum in the fuel system.
- Store the product in a cool, dry, and well-ventilated place that is inaccessible to children and well away from sources of ignition.
- Keep away from corrosive agents such as garden chemicals and de-icing salts.
- Do not store outdoors.
- When transporting the product in a vehicle, secure it against movement or falling to prevent injury to persons



or damage to the product.

- Never carry or transport the product while the engine is running.
- Abide all government and local regulations for the safety storage and handling of petrol.

Short term storage (less than 1 month)

- Stop the engine, and allow it to cool before storing.
- Cover the blade with the blade protector (scabbard).
- Store the product in a cool, dry, and well-ventilated place that is inaccessible to children and well away from sources of ignition.
- Keep away from corrosive agents such as garden chemicals and de-icing salts.
- Do not store outdoors.

MAINTENANCE

⚠ WARNING

Servicing requires extreme care and knowledge and should be performed only by a qualified service technician. For service we suggest you return the product to your nearest authorised service centre for repair. When servicing, use only identical replacement parts.

⚠ WARNING

Blades are sharp. When handling the blade assembly, wear non-slip, heavy-duty protective gloves. Do not place your hand or fingers between blades or in any position where they could get pinched or cut. Never touch blades or service the product with the spark plug wire connected.

⚠ WARNING

Do not, at any times, let brake fluids, solvents, gasoline, petroleum-based products, penetrating lubricant, etc., to come in contact with plastic parts. Chemicals can damage, weaken, or destroy plastic which may result in serious personal injury.

⚠ WARNING

Do not attempt to modify the product or create accessories not recommended for use with the product. Any such alteration or modification is misuse and could result in a hazardous condition leading to possible serious personal injury.

- You may make adjustments and repairs described in this manual. For other repairs, contact the authorised service centre.
- Consequences of improper maintenance may include excess carbon deposits resulting in loss of performance and discharge of black lubricant residue dripping from the silencer.
- After each use, clean the body and handles of the product with a soft, dry cloth.

- After each use, clean the debris from the blades with a stiff brush, and then carefully apply a rust preventative lubricant before refitting the blade protector. The manufacturer recommends you to use a rust preventative and lubricant spray to apply an even distribution and reduce the risk of personal injury from contact with the blades. For information about suitable spray product, check with your local authorised service centre.
- You may wish to lubricate the blades lightly before use if necessary using the above method.
- Check all nuts, bolts, and screws at frequent intervals for proper tightness to ensure the product is in safe working condition. Any part that is damaged should be properly repaired or replaced by an authorised service centre.

REPLACING THE BLADES

- Periodically inspect the blades for damage and wear. If any blades are damaged, they should be properly repaired or replaced by an authorised service centre.

CLEARING A BLOCKAGE

- Stop the engine and wait for all moving parts to stop.
- Disconnect the spark plug wire.
- The blades are sharp. Wear heavy-duty gloves when working near the blades.
- Carefully clear away the blockage or debris from around the blades or other moving parts.

RESIDUAL RISKS

Even when the product is used as prescribed, it is still impossible to completely eliminate certain residual risk factors. The following hazards may arise in use and the operator should pay special attention to avoid the following:

- Injury caused by contact with cutting means
 - Ensure that the blade protectors are fitted when the product is not in use. Keep hands and feet away from the blades at all times.
- Injury caused by vibration
 - Always use the right tool for the job, use designated handles and restrict working time and exposure. See the section "risk reduction" in this manual.
- Hearing injury caused by exposure to noise
 - Wear hearing protection and limit exposure.
- Eye injury due to flying debris
 - Wear eye protection at all times.
- Injury caused by falling objects
 - Wear head protection if there is any risk of falling objects.

RISK REDUCTION

It has been reported that vibrations from hand-held tools may contribute to a condition called Raynaud's Syndrome in certain individuals. Symptoms may include tingling, numbness, and blanching of the fingers, usually apparent upon exposure to cold. Hereditary factors, exposure to cold and dampness, diet, smoking, and work practices are all thought to contribute to the development of these

symptoms. There are measures that can be taken by the operator to possibly reduce the effects of vibration:

- Keep your body warm in cold weather. When operating the product, wear gloves to keep the hands and wrists warm. It is reported that cold weather is a major factor contributing to Raynaud's Syndrome.
- After each period of operation, exercise to increase blood circulation.
- Take frequent work breaks. Limit the amount of exposure per day.

If you experience any of the symptoms of this condition, immediately discontinue use and see your physician.

⚠ WARNING

Injuries may be caused or aggravated by prolonged use of the product. When using any tool for prolonged periods, ensure you take regular breaks.

KNOW YOUR PRODUCT

See page 191.

1. Choke slider
2. Primer bulb
3. Guard
4. Front handle
5. Spark plug boot
6. Starter grip
7. Blade
8. Air filter cover
9. Air box cover knob
10. Fuel cap
11. Handle rotation trigger lock
12. Throttle trigger
13. Rotating handle
14. Throttle trigger lock
15. On/Off switch
16. Scabbard

SYMBOLS ON THE PRODUCT



Safety alert



To reduce the risk of injury, you must read and understand the operator's manual before using the product



Wear ear protection.



Wear eye protection.



Always hold the hedge trimmer with both hands when operating.



Wear non-slip, heavy-duty gloves.



To prevent serious injury, do not touch cutting blades.



Beware of thrown or flying objects. Keep all bystanders, especially children and pets, at least 15m away from the operating area.



Use unleaded gasoline intended for motor vehicle use with an octane rating of 91 ((R+M)/2) or higher.



Use synthetic 2-stroke lubricant for air cooled engines.



Mix the fuel and 2-stroke lubricant thoroughly before refuelling.



To reduce the risk of injury or damage, avoid contact with any hot surface.



Press the primer bulb 10 times.



Set the choke lever to "FULL" choke position.



Set the choke lever to "HALF" choke position.



Set the choke lever to "RUN" position.



Allow the engine to run for 10 seconds.



Pull the starter grip until the engine starts.



Starting a cold engine



Starting a warm engine



Set the switch to the "I" position before trying to start the product.



To rotate the rotating handle, pull the handle rotation trigger lock. Turn the handle to the right or left and release the handle rotation trigger lock. Keep turning the rotating handle until it locks in 45° or 90° position.



Press the trigger lock and the throttle trigger.



Conforms to all regulatory standards in the country in the EU where the product is purchased.



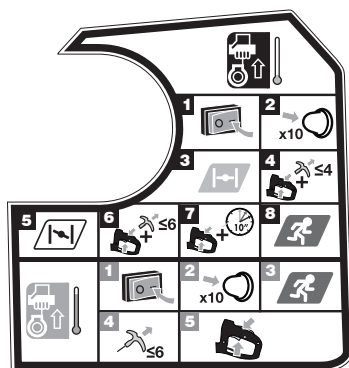
EurAsian Conformity Mark



Ukrainian mark of conformity



The guaranteed sound power level is 105 dB.



NOTE: Lay the product on the ground. Ensure that no objects and other obstructions in the vicinity that could come in contact with the blades.

To start a cold engine:

1. Set the on/off switch to "I" position.
2. Press the primer bulb 10 times.
NOTE: After the 7th press, the fuel should be visible in the primer bulb. If not, continue pressing until the fuel is visible.
3. Set the choke lever to **H-I** position.
4. Press the trigger lock and the throttle trigger. Pull the starter grip until the engine attempts to start. Do not pull the starter grip more than 4 times.
5. Set the choke lever to **H-I** position.
6. Press the trigger lock and the throttle trigger. Pull the starter grip until the engine starts. Do not pull the starter grip more than 6 times.
7. Press the trigger lock and the throttle trigger. Allow the engine to run for 10 seconds.
8. Set the choke lever to **R** position.

To start a warm engine:

1. Set the on/off switch to "I" position.
2. Press the primer bulb 10 times.
NOTE: After the 7th press, the fuel should be visible in the primer bulb. If not, continue pressing until the fuel is visible.
3. Set the choke lever to **R** position.
4. Pull the starter grip until the engine starts. Do not pull

5. Press the trigger lock and the throttle trigger.

SYMBOLS IN THIS MANUAL



Parts or accessories sold separately



Note



Warning



Do not smoke when mixing fuel or when filling the fuel tank.



Risk of fire



To stop the product, press and hold the I/O switch to the "O" position.

The following signal words and meanings are intended to explain the levels of risk associated with the product.

⚠ DANGER

Indicates an imminently hazardous situation, which, if not avoided, will result in death or serious injury.

⚠ WARNING

Indicates a potentially hazardous situation, which, if not avoided, could result in death or serious injury.

⚠ CAUTION

Indicates a potentially hazardous situation, which, if not avoided, may result in minor or moderate injury.

CAUTION

Without safety alert symbol

Indicates a situation that may result in property damage.

MAINTENANCE SCHEDULE



	Before each use	After first month or 20 hours of operation	Every 3 months or 50 hours of operation	Every 6 months or 100 hours of operation	Every year or after 300 hours or operation
Check engine lubricant	■				
Change engine lubricant		■		■	
Check air filter	■				
Clean air filter			■		
Change air filter					■
Check or adjust spark plug				■	
Replace spark plug					■
Check or adjust idle speed					■
Clean spark arrestor ¹			■		
Replace spark arrestor ¹					■
Check or adjust valve clearance ¹					■
Clean fuel tank and filter ¹				■	
Check fuel hose	■				
Inspect fuel filter	■				
Replace fuel filter					■
Check all hose connections	■				
Inspect fuel tank vapour vent (if equipped)	■				
Inspect carbon canister (carburettor models only)	■				

1. These items should only be carried out by an authorised service centre.

NOTES:

- Maintenance should be performed more frequently when product is used in dusty areas.
- When product has exceeded the maximum figures specified in the table, maintenance should still be cycled according to the intervals of time or hours stated herein.

TROUBLESHOOTING

Problem	Possible cause	Solution
Engine will not start.	No spark	Check for spark. Remove the spark plug. Reattach the spark plug cap and lay spark plug on metal cylinder. Pull the starter rope and watch for spark at spark plug tip. If there is no spark, repeat test with a new spark plug.
	No fuel	Push primer bulb until the bulb is full of fuel. If bulb does not fill, the primary fuel delivery system is blocked. Contact a servicing dealer. If primer bulb fills, engine may be flooded, proceed to next item.
	Engine is flooded	Pull starter three times with the choke lever at  position. If engine does not start, move choke lever to  position and repeat normal starting procedure. If engine still fails to start, repeat procedure with a new spark plug.
	Starter rope is hard to pull.	Contact a servicing dealer.
Engine starts but will not accelerate.	Engine requires approximately three minutes to warm up.	Allow engine to completely warm up. If engine does not accelerate after three minutes, contact a servicing dealer.
Engine starts but will only run at high speed at half choke.	Carburettor requires adjustment.	Contact a servicing dealer.
Engine does not reach full speed and emits excessive smoke.	Lubricant and fuel mixture is incorrect.	Use fresh fuel and the correct 2-stroke lubricant mix.
	Air filter is dirty.	Clean the air filter. Refer to Cleaning the Air Filter section in this manual.
	Spark arrestor screen is dirty.	Contact a servicing dealer.
Engine starts, runs, and accelerates but will not idle.	Idle speed screw on carburettor requires adjustment	Contact a servicing dealer.

Votre taille-haie à essence a été conçu en donnant priorité à la sécurité, à la performance et à la fiabilité.

UTILISATION PRÉVUE

Le taille-haie à essence doit être utilisé seulement par des adultes ayant lu et compris les instructions et les avertissements inclus dans le présent manuel et pouvant être considérés comme responsables de leurs actes.

Ce produit ne doit être utilisé qu'à l'extérieur dans une zone bien ventilée. Pour des raisons de sécurité, l'appareil doit être manipulé de manière appropriée, en utilisant les deux mains.

Ce produit est destiné à un usage domestique ou privé. Il est destiné à couper et tailler les haies, les arbustes et les végétaux similaires possédant des tiges et des rameaux d'épaisseur inférieure à 32 mm. Il doit être utilisé dans un environnement sec et bien éclairé.

Il n'a pas été conçu pour la coupe d'herbe, d'arbres ou de branches. Il doit être uniquement utilisé pour la taille des haies.

⚠ AVERTISSEMENT

Afin d'éviter tout risque de blessure, n'essayez pas d'utiliser cet outil avant d'avoir entièrement lu et compris le présent manuel d'utilisation. Conservez ce manuel d'utilisation et reportez-vous-y régulièrement pour travailler en toute sécurité et informer d'autres utilisateurs éventuels.

Conservez ce mode d'emploi.

AVERTISSEMENTS GÉNÉRAUX DE SÉCURITÉ

⚠ AVERTISSEMENT

Lisez tous les avertissements de sécurité et toutes les instructions. Le non-respect des avertissements et instructions peut entraîner un incendie et/ou de graves blessures. Conservez ces avertissements et instructions pour pouvoir vous y reporter ultérieurement.

PRÉPARATION

⚠ AVERTISSEMENT

Cette machine peut provoquer de graves blessures. Lisez attentivement les instructions concernant la manipulation, la préparation, l'entretien, le démarrage et l'arrêt corrects de la machine. Familiarisez-vous avec les commandes du produit ainsi qu'avec son utilisation correcte.

- Ne laissez pas des enfants ou des personnes inexpérimentées utiliser ce produit.
- Prenez garde aux dangers dus à la présence de lignes électriques aériennes.
- Gardez tous les enfants, visiteurs et animaux éloignés à au moins 15 m de distance. N'utilisez jamais la machine si des personnes, en particulier des enfants,

ou des animaux familiers se trouvent à proximité.

- Portez des vêtements appropriés. Ne portez pas des vêtements amples ou des bijoux; ils peuvent être happés dans les pièces en mouvement.

⚠ AVERTISSEMENT

L'utilisation de tout outil à moteur peut entraîner la projection de corps étrangers dans vos yeux et provoquer des lésions oculaires graves. Avant d'utiliser le produit, portez toujours des lunettes de sécurité dotées de protections latérales et, si besoin, un écran facial intégral. Nous vous recommandons le port d'un masque de sécurité à vision large par-dessus des lunettes de vue ou l'utilisation de lunettes de sécurité standard avec écrans latéraux.

- N'utilisez pas le matériel si vous êtes pieds nus ou si vous portez des sandales ou des chaussures légères du même type. Portez des chaussures de protection antidérapantes qui protégeront vos pieds et amélioreront vos déplacements sur les surfaces glissantes.

⚠ AVERTISSEMENT

Soyez particulièrement prudent lorsque vous manipulez du carburant. L'essence est inflammable et ses vapeurs sont toxiques et explosives.

- Utilisez uniquement des réservoirs qui sont approuvés pour l'essence.
- Ajoutez du carburant avant de démarrer le moteur. Ne retirez jamais le bouchon du réservoir de carburant lorsque le moteur est en marche ou qu'il est chaud.
- Ne fumez pas.
- Faites toujours le plein de carburant à l'extérieur. Ne faites jamais le plein de carburant à l'intérieur ou dans une zone peu ventilée. Tenez-vous éloigné(e) de toute source d'inflammation, des étincelles et des flammes.
- Ne stockez jamais l'outil avec du carburant dans le réservoir à l'intérieur d'un bâtiment contenant des sources d'inflammation, comme des radiateurs à eau chaude et électriques, des sèche-linge ou d'autres appareils similaires.
- Essuyez l'outil si vous avez répandu du carburant. Eloignez-vous de 9 m de la zone de remplissage avant de démarrer le moteur.
- Remettez en place le réservoir de carburant et ses bouchons correctement.
- Si vous devez vidanger le réservoir d'essence, faites-le à l'extérieur.
- Si le mécanisme de broyage heurte un objet étranger ou si la machine se met à émettre des bruits ou vibrations inhabituels, arrêtez le moteur et laissez la machine s'arrêter. Débranchez le fil de bougie et suivez ces étapes:
 - vérifiez les dommages éventuels
 - Vérifiez et remplacez toute pièce mal serrée.Remplacez ou réparez toute pièce endommagée en utilisant des pièces détachées aux caractéristiques équivalentes.

⚠ AVERTISSEMENT

Ce produit est bruyant en cours de fonctionnement. Vous devez porter des protections auditives afin de réduire les risques de troubles de l'audition à long terme.

⚠ AVERTISSEMENT

Portez toujours des lunettes de sécurité ou des lunettes de protection munies d'écrans latéraux lorsque vous utilisez cet outil. Le non-respect de cette consigne peut entraîner la projection de corps étrangers dans vos yeux et provoquer des lésions oculaires graves.

- Pour arrêter le moteur en cas d'urgence: appuyez sur Marche/Arrêt pour mettre en position arrêt (O).

UTILISATION

- Coupez toujours le moteur, ôtez le capuchon de la bougie d'allumage, laissez-le refroidir et vérifiez que toutes les pièces mobiles sont à l'arrêt complet avant d'effectuer les tâches suivantes:
 - remplir le réservoir
 - régler la position de travail ou la position de la poignée arrière
 - laisser le produit sans surveillance
 - nettoyer le produit
 - remplacer des accessoires
 - retirer les blocages
 - vérifier tout dommage éventuel après avoir heurté un objet
 - vérifier tout dommage éventuel au cas où le produit se mettrait à vibrer de façon anormale
 - réaliser des opérations d'entretien
- Ne démarrez le moteur que quand le taille-haie est dans une position de travail sûre. Le fabricant recommande de placer l'outil sur le sol de telle sorte que les lames ne soient en contact avec aucun objet avant de démarrer le moteur.
- Lors de l'utilisation du taille-haie, n'essayez pas d'atteindre des branches inaccessibles et ne vous tenez pas sur un support instable. Gardez une position et un équilibre adaptés à tout moment. Le fabricant ne recommande pas l'utilisation d'escabeaux ou d'échelles. Si vous devez tailler à une plus grande hauteur, utilisez un outil ayant une plus grande élévation.
- N'utilisez pas le produit avec des lames endommagées ou excessivement usées.
- Pour réduire les risques d'incendie, gardez le moteur et le silencieux exempts de débris, de feuilles et d'excès de lubrifiant.
- Assurez-vous toujours que toutes les poignées et protections sont en place lorsque vous utilisez l'appareil. Ne tentez jamais d'utiliser un produit incomplet ou enclenché avec une modification non autorisée.
- Utilisez toujours vos deux mains pour manipuler une machine équipée de deux poignées.
- Familiarisez-vous avec votre environnement et restez vigilant quant aux dangers possibles que vous pourriez

ne pas avoir repérés du fait du bruit engendré par la machine.

AVERTISSEMENTS SUPPLÉMENTAIRES

- Ne faites pas fonctionner le moteur dans un lieu confiné où les dangereuses émanations de monoxyde de carbone pourraient s'accumuler. Le monoxyde de carbone, un gaz incolore, inodore et extrêmement toxique, peut entraîner une perte de connaissance, voire la mort.
- N'utilisez pas ce produit lorsque vous êtes fatigué, malade, ou sous l'influence de l'alcool, de drogues ou de médicaments.
- Avant chaque utilisation, assurez-vous que toutes les commandes et tous les organes de sécurité fonctionnent correctement. N'utilisez pas le produit si son interrupteur « arrêt » est inopérant à arrêter le moteur. Faites remplacer tout bouton-poussoir défectueux dans un service après-vente agréé ryobi.
- Vérifiez le produit avant chaque utilisation. Vérifiez le bon serrage des attaches, l'absence de fuite de carburant, etc. N'utilisez pas l'outil en cas de fuite de carburant ou si les poignées et les protections ne sont pas solidement fixées et complètement opérationnelles.
- Si vous avez les cheveux longs, attachez-les au-dessus du niveau des épaules afin d'éviter qu'ils ne se prennent dans les parties en mouvement.
- N'utilisez pas cet outil dans une zone mal éclairée. L'opérateur doit avoir une bonne vue d'ensemble de la zone de travail pour identifier les dangers éventuels.
- Dégagez la zone de travail avant chaque utilisation. Retirez toutes les objets étrangers comme les poteaux, les câbles ou les ficelles qui pourraient endommager les pièces mobiles ou coupantes ou s'y enchevêtrer.
- Vérifiez constamment l'absence de personnes ou d'animaux dans ou derrière les haies et les buissons que vous avez l'intention de tailler. L'utilisation d'outils similaires alentour augmente le risque d'atteinte à l'audition ainsi que le risque que d'autres personnes entrent dans la zone de travail.
- Vérifiez régulièrement le bon serrage des écrous, vis et boulons pour vous assurer que le produit soit toujours en bon état de fonctionnement. Toute pièce endommagée doit être correctement remplacée ou réparée par un service après-vente agréé.

⚠ AVERTISSEMENT

Lorsque la gâchette-accélérateur est relâchée et que le moteur tourne au ralenti, l'accessoire de coupe ou la lame ne doivent pas bouger. Dans le cas contraire, l'opérateur risque de subir des blessures graves. N'utilisez pas le produit. Rapportez-le à un réparateur agréé pour le faire régler par un professionnel.

- Ne touchez pas les surfaces proches du silencieux et du moteur de l'appareil, car elles deviennent très chaudes pendant le fonctionnement.
- Ne modifiez pas le produit de quelque manière que ce soit.



- Ne faites pas forcer la taille-haie dans les massifs épais. Les lames pourraient forcer et ralentir. Si les lames ralentissent, réduisez votre vitesse de progression.
- Ne tentez pas de couper des tiges ou des branchettes d'un diamètre supérieur à 28 mm, ou qui sont visiblement trop grosses pour pénétrer dans la lame. Coupez les grosses branches à l'aide d'une scie à main ou d'un élagueur.
- Assurez-vous de maintenir le moteur et le silencieux à l'écart des matériaux combustibles lorsqu'ils sont en fonctionnement ou qu'ils sont chauds afin de réduire les risques d'incendie.

TRANSPORT ET STOCKAGE

- Arrêtez le produit et laissez-le refroidir avant de le ranger ou de le transporter.
- Débarrassez l'appareil de tous les corps étrangers.
- Recouvrez la lame avec son étui de protection (protège-lame).
- Versez tout le carburant restant dans le réservoir dans un récipient homologué pour contenir de l'essence. N'oubliez pas de bien remettre en place et serrer le bouchon du réservoir.
- Faites tourner le moteur jusqu'à ce qu'il s'arrête. Cela retirera toute l'essence qui pourrait s'évaporer et laisser du vernis et de la gomme dans le système de carburant.
- Entrez le produit dans un endroit frais, sec et bien aéré hors de portée des enfants et à l'écart de toute source d'inflammation.
- Ne le rangez pas à proximité d'agents corrosifs tels que des produits chimiques de jardinage ou des sels de dégel.
- Ne le rangez pas à l'extérieur.
- Pour le transport, attachez le produit pour l'empêcher de bouger ou de tomber, afin d'éviter toute blessure et tout dommage matériel.
- Ne portez jamais et ne transportez jamais l'appareil lorsqu'il est en fonctionnement.
- Référez-vous aux réglementations nationales et locales en matière de stockage et de manipulation de carburant.

Stockage de courte durée (moins d'un mois)

- Arrêtez le moteur et laissez-le refroidir avant le stockage.
- Recouvrez la lame avec son étui de protection (protège-lame).
- Entrez le produit dans un endroit frais, sec et bien aéré hors de portée des enfants et à l'écart de toute source d'inflammation.
- Ne le rangez pas à proximité d'agents corrosifs tels que des produits chimiques de jardinage ou des sels de dégel.
- Ne le rangez pas à l'extérieur.

ENTRETIEN

⚠ AVERTISSEMENT

Les opérations d'entretien demandent un soin et des connaissances extrêmes et ne doivent être effectuées que par un technicien de service qualifié. Pour toute réparation, nous vous conseillons de retourner votre appareil à votre service après-vente agréé le plus proche. N'utilisez que des pièces détachées identiques pour effectuer les réparations.

⚠ AVERTISSEMENT

Les lames sont très coupantes. Lorsque vous manipulez les lames, portez des gants de protection résistants et antidérapants. Ne mettez pas votre main ou vos doigts entre les lames ni à tout autre endroit où ils pourraient être pincés ou coupés. Ne touchez jamais les lames et n'effectuez jamais d'entretien lorsque le câble de la fil de bougie d'allumage est connecté.

⚠ AVERTISSEMENT

Ne laissez jamais du liquide de frein, de l'essence, des produits pétroliers, des huiles pénétrantes, etc. entrer en contact avec les éléments en plastique. Les produits chimiques peuvent endommager, affaiblir ou détruire les plastiques, ce qui peut entraîner de graves blessures.

⚠ AVERTISSEMENT

Ne tentez pas de modifier cet appareil ou de fabriquer des accessoires non recommandés pour l'utilisation avec ce produit. Toute altération ou modification de ce type constitue un mésusage et peut entraîner des dangers susceptibles de provoquer des blessures graves.

- Vous n'êtes autorisé à effectuer que les réglages et réparations décrits dans ce manuel. Pour toute autre réparation, contactez un service après-vente agréé.
- Les conséquences d'un mauvais entretien peuvent être entre autres un excès de calamine entraînant une baisse des performances et la suppression de résidus huileux noirs par l'échappement.
- Après chaque utilisation, utilisez un chiffon propre et sec pour nettoyer le corps et les poignées du produit.
- Après chaque utilisation, retirez les débris des lames à l'aide d'une brosse dure, puis appliquez délicatement un lubrifiant antirouille avant de remettre en place le protège-lame. Le fabricant vous recommande de déposer une couche régulière d'un aérosol lubrifiant et antirouille sur les lames pour réduire les risques de vous blesser en entrant en contact avec ces lames. Pour obtenir des informations sur un aérosol adapté, contactez votre service après-vente agréé local.
- Vous pouvez également légèrement lubrifier les lames avant utilisation, au besoin, à l'aide de la méthode décrite ci-dessus.



- Vérifiez régulièrement le bon serrage des écrous, vis et boulons pour vous assurer que le produit soit toujours en bon état de fonctionnement. Toute pièce endommagée doit être correctement remplacée ou réparée par un service après-vente agréé.

REMISE EN PLACE DES LAMES EN PLACE

- Vérifiez régulièrement l'usure et les dommages éventuels subis par les lames. Si les lames sont endommagées, elles doivent être réparées correctement ou remplacées dans un service après-vente agréé.

DÉGAGEMENT D'UN BLOCAGE

- Coupez le moteur et attendez que toutes les pièces mobiles s'arrêtent.
- Débranchez l'antiparasite.
- Les lames sont très affûtées. Portez des gants résistants quand vous travaillez près des lames.
- Éliminez soigneusement tout blocage ou débris existant sur les lames ou les autres pièces mobiles.

RISQUES RÉSIDUELS

Même lorsque le produit est utilisé selon les prescriptions, il reste impossible d'éliminer totalement certains facteurs de risque résiduels. Les dangers suivants risquent de se présenter en cours d'utilisation et l'utilisateur doit prêter particulièrement garde à ce qui suit:

- Blessures dues à l'entrée en contact avec les lames de coupe.
 - Assurez-vous que les protections des lames sont en place lorsque le produit n'est pas utilisé. Gardez en permanence vos pieds et vos mains éloignés des lames..
- Blessures dues aux vibrations.
 - Utilisez toujours un outil adapté au travail à effectuer, servez-vous des poignées appropriées et limitez le temps de travail et d'exposition. Consultez le paragraphe « Réduction des risques » dans ce manuel.
- Perte d'audition provoquée par l'exposition au bruit.
 - Portez une protection auditive et limitez le temps d'exposition.
- Blessures oculaires dues à projection de débris.
 - Portez en permanence une protection oculaire.
- Blessure causée par la chute d'objets.
 - Si vous travaillez dans une zone qui comporte des risques de chute d'objets, portez un casque de chantier.

RÉDUCTION DES RISQUES

Il a été reporté que les vibrations engendrées par les outils tenus à la main peuvent contribuer à l'apparition d'un état appelé le syndrome de Raynaud chez certaines personnes. Les symptômes peuvent comprendre des fourmillements, un engourdissement et un blanchiment des doigts, généralement par temps froid. Des facteurs héréditaires, l'exposition au froid et à l'humidité, le régime alimentaire, le tabagisme et les habitudes de travail peuvent contribuer au développement de ces symptômes. Certaines mesures

peuvent être prises par l'utilisateur pour aider à réduire les effets des vibrations:

- Gardez votre corps au chaud par temps froid. Lorsque vous utilisez le produit, portez des gants afin de garder vos mains et vos poignets au chaud. Le temps froid est considéré comme un facteur contribuant très largement à l'apparition du syndrome de Raynaud.
- Après chaque session de travail, pratiquez des exercices qui favorisent la circulation sanguine.
- Faites des pauses fréquentes. Limitez la quantité d'exposition journalière.

Si vous ressentez l'un des symptômes associés à ce syndrome, arrêtez immédiatement le travail et consultez votre médecin pour lui en faire part.

⚠ AVERTISSEMENT

L'utilisation prolongée d'un outil est susceptible de provoquer ou d'aggraver des blessures. Assurez-vous de faire des pauses de façon régulière lorsque vous utilisez tout outil de façon prolongée.

APPRENEZ À CONNAÎTRE VOTRE PRODUIT

Voir page 191.

1. Curseur du démarreur
2. Poire d'amorçage
3. Carter de protection
4. Poignée avant
5. Antiparasite
6. Poignée du lanceur
7. Lame
8. Couvre-cil de filtre à air
9. Bouton du compartiment à air
10. Bouchon d'essence
11. Verrou de la gâchette de verrouillage pour la poignée rotative
12. Gâchette des gaz
13. Poignée rotative
14. Verrou de la commande d'accélération
15. Bouton poussoir marche
16. Protège-lame

SYMBOLES APPLIQUÉS SUR LE PRODUIT



Avertissement



Afin de réduire les risques de blessures, il est indispensable de bien lire et de bien comprendre le présent manuel d'utilisation avant d'utiliser cet outil.



Portez une protection auditive.



Portez une protection oculaire.



Tenez toujours le taille-haie des deux mains lorsque vous l'utilisez.



Portez des gants de protection résistants et antidérapants.



Ne touchez pas les lames afin d'éviter toute blessure grave.



Prenez garde à la projection d'objets au sol et dans les airs. Gardez tous les passants, en particulier les enfants et les animaux, éloignés d'au moins 15 m de distance de la zone de travail.



Utilisez de l'essence sans plomb destinée aux automobiles avec un indice d'octane de 91 ((R+M)/2) ou plus.



Utilisez une huile de synthèse 2 temps pour les moteurs à refroidissement à air.



Mélangez le carburant et le lubrifiant à 2 temps soigneusement avant de remettre du carburant.



Pour réduire les risques de blessures ou de dommages, évitez tout contact avec les surfaces chaudes.



Pressez la poire d'amorçage à 10 reprises.



Mettez le levier du démarreur en position FULL (Complet).



Mettez le levier du démarreur en position HALF (Moitié).



Mettez le levier du démarreur en position RUN (Marche).



Laissez le produit tourner au ralenti pendant 10 secondes.



Tirez sur la poignée du lanceur jusqu'à ce que le moteur démarre.



Démarrage à froid



Démarrage à chaud



Afin de faire pivoter la poignée rotative, tirez le verrou déclenchant la rotation de la poignée. Tournez la poignée vers la droite ou la gauche et relâchez le verrou déclenchant la rotation de la poignée. Faites tourner la poignée rotative jusqu'à ce que qu'elle se bloque en position 45° ou 90°.



Appuyez sur le verrouillage de gâchette et sur la gâchette des gaz.



Mettez le commutateur en position "I" avant de tenter de démarrer l'appareil.



Cet outil est conforme à l'ensemble des normes réglementaires du pays de l'UE où il a été acheté.



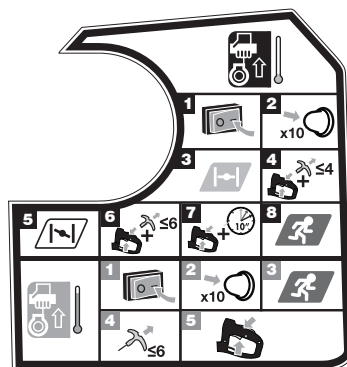
Marque de conformité d'Eurasie



Marque de conformité ukrainienne



Le niveau de puissance sonore garanti est de 105 dB




REMARQUE: Posez le taille-haie sur une surface plane et assurez-vous qu'aucun objet ni obstacle alentour n'est susceptible d'entrer en contact avec les lames.

Démarrage d'un moteur froid:

1. Placez l'interrupteur marche/arrêt sur la position « I ».
2. Pressez la poire d'amorçage à 10 reprises.
REMARQUE: Au bout de la 7^e pression, l'essence doit être visible dans la poire d'amorçage. Dans le cas contraire, continuez de presser jusqu'à ce que l'essence soit visible.
3. Régler le levier du démarreur sur la position I-I.
4. Appuyez sur le verrouillage de gâchette et sur la gâchette des gaz. Tirez sur la poignée du lanceur jusqu'à ce que le moteur semble vouloir démarrer. Ne tirez pas sur le lanceur à plus de 4 reprises.
5. Régler le levier d'étranglement sur la position I-I.
6. Appuyez sur le verrouillage de gâchette et sur la gâchette des gaz. Tirez sur la poignée du lanceur jusqu'à ce que le moteur démarre. Ne tirez pas sur le lanceur à plus de 6 reprises.
7. Appuyez sur le verrouillage de gâchette et sur la gâchette des gaz. Laissez le produit tourner au ralenti pendant 10 secondes.

8. Régler le levier du démarreur sur la position .

Démarrage d'un moteur chaud:

1. Placez l'interrupteur marche/arrêt sur la position « I ».
2. Pressez la poire d'amorçage à 10 reprises.
REMARQUE: Au bout de la 7e pression, l'essence doit être visible dans la poire d'amorçage. Dans le cas contraire, continuez de presser jusqu'à ce que l'essence soit visible.
3. Régler le levier du démarreur sur la position .
4. Maintenez serrés la poignée rotative, la gâche d'accélérateur et le verrou de celle-ci fermement de la main gauche. Tirez sur la poignée du lanceur jusqu'à ce que le moteur démarre. Ne tirez pas sur le lanceur à plus de 6 reprises.
5. Appuyez sur le verrouillage de gâchette et sur la gâchette des gaz.

SYMBOLES DE CE MANUEL



Pièces détachées et accessoires vendus séparément



Remarque



Avertissement



Ne fumez pas lorsque vous mélangez du carburant ou lorsque vous faites le plein.



Risque d'incendie.



Pour arrêter le produit, placez l'interrupteur sur « O », en position ARRÊT.

Les symboles suivants, et les noms qui leur sont associés, permettent d'expliquer les différents niveaux de risques liés à l'utilisation de cet outil.

⚠ DANGER

Imminence d'un danger qui, si l'on n'y prend garde, peut entraîner la mort ou des blessures graves.

⚠ AVERTISSEMENT

Situation potentiellement dangereuse qui, si l'on n'y prend garde, peut entraîner la mort ou des blessures graves.

⚠ ATTENTION

Situation potentiellement dangereuse qui, si l'on n'y prend garde, peut entraîner des blessures moyennes ou légères.

ATTENTION

Sans symbole d'alerte de sécurité

Indique une situation pouvant entraîner des dommages matériels.

PÉRIODICITÉ D'ENTRETIEN

	Avant chaque utilisation	Après le 1er mois ou 20 heures de fonctionnement	Tous les 3 mois ou après 50 heures de fonctionnement	Tous les 6 mois ou après 100 heures de fonctionnement	Chaque année ou après 300 heures de fonctionnement
Vérifier le lubrifiant moteur	■				
Changer le lubrifiant moteur		■		■	
Vérifier le filtre à air	■				
Nettoyer le filtre à air			■		
Changer le filtre à air					■
Vérifier/régler la bougie				■	
Remplacer la bougie					■
Vérifier/régler la vitesse du ralenti					■
Nettoyer la grille pare-étincelles ¹			■		
Remplacer la grille pare-étincelles ¹					■
Vérifier/régler le dégagement de la vanne ¹					■
Nettoyer le réservoir de carburant et le filtre ¹				■	
Vérifier le tuyau du carburant	■				
Inspecter le filtre à essence	■				
Remplacer le filtre à essence					■
Vérifier tous les branchements des flexibles	■				
Inspecter la ventilation du réservoir de carburant (si présente)	■				
Inspecter la cartouche de charbon (modèles à carburateur uniquement)	■				

1. Ces opérations doivent être effectuées uniquement dans un centre de service agréé.

REMARQUES:

- La maintenance doit être effectuée plus fréquemment lorsque le produit est utilisé dans des endroits poussiéreux.
- Si le produit dépasse les chiffres maximums spécifiés dans le tableau, la maintenance doit être effectuée conformément aux intervalles de temps ou d'heures indiqués.



- EN
- FR**
- DE
- ES
- IT
- NL
- PT
- DA
- SV
- FI
- NO
- RU
- PL
- CS
- HU
- RO
- LV
- LT
- ET
- HR
- SL
- SK
- BG
- UK
- TR

GUIDE DE DÉPANNAGE

Problème	Cause possible	Solution
Le moteur ne démarre pas.	Pas d'étincelle.	Vérifiez l'apparition d'une étincelle. Retirez la bougie. Remettez en place le capuchon de la bougie d'allumage et placez la bougie sur le cylindre métallique. Tirez la corde du démarreur et vérifiez l'apparition d'une étincelle sur la pointe de la bougie d'allumage. Si vous n'observez pas d'étincelle, recommencez l'essai avec une nouvelle bougie.
	Pas de carburant	Appuyez sur la poire d'amorçage jusqu'à ce qu'elle soit remplie. Si la poire ne se remplit pas, le système principal d'alimentation de carburant est bloqué. Contactez un service après-vente. Si la poire d'amorçage se remplit, il se peut que le moteur soit noyé, passez au paragraphe suivant.
	Le moteur est noyé.	Tirez 3 fois sur la poignée du démarreur avec le levier du démarreur en position . Si le moteur ne démarre pas, réglez le levier du démarreur en position et recommencez la procédure normale de démarrage. Si le moteur ne démarre toujours pas, répétez ces différentes étapes avec une bougie neuve.
	Il est difficile de tirer sur la corde du démarreur de l'accélérateur.	Contactez un service après-vente.
Le moteur démarre mais n'accélère pas.	Le moteur prend approximativement trois minutes pour être chaud.	Laissez le moteur complètement se réchauffer. Si le moteur n'accélère pas après trois minutes, contactez un service après-vente.
Le moteur démarre mais tourne à pleine vitesse uniquement à demi-starter.	Il faut régler le carburateur.	Contactez un service après-vente.
Le moteur n'atteint pas son plein régime et/ou dégage de la fumée en excès.	Mélange huile/essence incorrect.	Utilisez un carburant récemment mélangé contenant la bonne proportion d'huile à 2 temps.
	Le filtre à air est sale.	Nettoyez le filtre à air. Reportez-vous au paragraphe « Nettoyage du filtre à air » de ce manuel.
	La grille pare-étincelles est sale.	Contactez un service après-vente.
Le moteur démarre, tourne et accélère mais ne tient pas le ralenti.	La vis du ralenti sur le carburateur doit être ajustée.	Contactez un service après-vente.



Sicherheit, Leistung und Zuverlässigkeit hatten oberste Priorität bei der Entwicklung Ihrer benzinbetriebene Heckenschere.

BESTIMMUNGSGEMÄSSE VERWENDUNG

Die benzinbetriebene Heckenschere ist nur für den Gebrauch von Erwachsenen vorgesehen, die Bedienungsanleitung gelesen und verstanden haben und als verantwortlich für ihre Handlungen erachtet werden können.

Das Produkt ist ausschließlich zur Verwendung in einem gut belüfteten Bereich im Freien vorgesehen. Aus Sicherheitsgründen muss das Produkt durch die Benutzung immer mit beiden Händen immer ausreichend kontrolliert werden.

Dieses Produkt wurde für den Hausgebrauch entwickelt. Er ist dazu bestimmt, Hecken, Sträucher und ähnliche Vegetation mit Stämmen oder Ästen mit weniger als 28 mm Durchmesser zu schneiden und zu trimmen. Es darf nur in trockener, gut beleuchteter Umgebung benutzt werden.

Es ist nicht vorgesehen um Gras, Bäume oder Äste zu schneiden. Es sollte für keine andere Aufgabe, als das Schneiden von Hecken benutzt werden.

⚠️ WARNUNG

Benutzen Sie zur Vermeidung schwerer Verletzungen dieses Produkt nicht, bevor Sie nicht die Bedienungsanleitung sorgfältig durchgelesen und vollständig verstanden haben. Heben Sie diese Bedienungsanleitung auf und lesen sie oft durch, um ein sicheres Arbeiten zu gewährleisten und gegebenenfalls andere Benutzer zu informieren.

Bewahren Sie diese Anleitung auf.

ALLGEMEINE SICHERHEITSWARNUNGEN

⚠️ WARNUNG

Lesen Sie alle Warnungen und Anweisungen! Die Nichtbeachtung der Warnungen und Anweisungen kann zu Feuer und/oder schweren Verletzungen führen. Bewahren Sie diese Warnhinweise und Anweisungen für einen späteren Gebrauch gut auf.

VORBEREITUNG

⚠️ WARNUNG

Diese Maschine kann schwere Verletzungen verursachen. Lesen Sie sorgfältig alle Anweisungen für die richtige Handhabung, Vorbereitung, Wartung, und das richtige Starten und Anhalten des Produkts. Machen Sie sich mit den Bedienelementen und dem ordnungsgemäßen Gebrauch des Produktes vertraut.

- Erlauben Sie Kindern oder ungeschulten Personen nicht den Gebrauch des Produktes.
- Achten Sie bei der Benutzung des Produkts auf

Freileitungen.

- Halten Sie unbeteiligte Personen (insbesondere Kinder und Tiere) mindestens 15m fern. Benutzen Sie nicht das Werkzeug, wenn andere Personen, insbesondere Kinder, in der Nähe sind.
- Tragen Sie geeignete Kleidung. Tragen Sie keine lockeren Kleidungs- oder Schmuckstücke, die sich in den beweglichen Teilen verfangen könnten.

⚠️ WARNUNG

Der Betrieb eines Werkzeugs können Fremdkörper in die Augen geschleudert werden, und zu ernster Augenschäden führen. Bevor Sie das Produkt in Betrieb nehmen, tragen Sie immer eine Schutzbrille oder eine Schutzbrille mit Seitenschutz und, wenn nötig, eine Voll-Gesichtsmaske. Wir empfehlen eine Vollsicht-Augenschutzmaske über Brillen oder eine Schutzbrille mit Seitenschutz.

- Verwenden Sie das Gerät nicht barfuß, mit Sandalen oder ähnlich leichten Schuhen. Tragen Sie rutschfeste Schutzschuhe, die Ihre Füße schützen und Ihren Stand auf rutschigen Untergrund verbessern.

⚠️ WARNUNG

Seien Sie bei der Handhabung von Kraftstoff besonders vorsichtig. Benzin ist brennbar und die Dämpfe sind giftig und explosiv.

- Verwenden Sie nur Kraftstoffbehälter, die für Benzin zugelassen sind.
- Fügen Sie Kraftstoff vor dem Start des Motors hinzu. Entfernen Sie niemals den Deckel des Kraftstofftanks oder fügen Kraftstoff hinzu, während der Motor läuft oder der Motor heiß ist.
- Nicht rauchen.
- Immer im Freien auftanken. Tanken Sie niemals im Haus oder in einem schlecht belüfteten Raum auf. Halten Sie sich von Zündquellen, Funken und Flammen fern.
- Lagern Sie das Produkt mit Kraftstoff im Tank niemals in einem Gebäude wo Zündquellen vorhanden sind, wie beispielsweise Warmwassererhitzer, Raumheizungen, Wäschetrockner und dergleichen.
- Verschütteten Kraftstoff vom Produkt abwischen. Entfernen Sie sich 9 m von dem Ort der Betankung, bevor Sie den Motor starten.
- Befestigen Sie alle Kraftstofftank- und Behälterdeckel sicher.
- Wenn der Kraftstofftank entleert werden soll, sollte dies im Freien durchgeführt werden.
- Wenn der Schneidmechanismus Fremdkörper berührt oder die Maschine ungewöhnliche Geräusche macht oder ungewöhnlich vibriert, schalten Sie den Motor aus und lassen das Produkt anhalten. Ziehen Sie das Zündkerzenkabel von der Zündkerze und führen folgende Schritte aus:
 - überprüfen Sie das Produkt auf Schäden

- Überprüfen und ersetzen Sie alle lockeren Teile. Beschädigte Teile sollten sofort mit Teilen gleicher Spezifikation repariert und ersetzt werden.

⚠ WARNUNG

Dieses Produkt ist während des Betriebs sehr laut. Sie müssen einen Gehörschutz tragen, um das Risiko von Langzeitgehörschäden zu verringern.

⚠ WARNUNG

Tragen Sie stets eine Sicherheits- oder Schutzbrille mit Seitenschutz, wenn Sie das Gerät benutzen. Die Missachtung dieser Anweisung kann dazu führen, dass Fremdkörper in Ihre Augen geschleudert werden und schwere Augenverletzungen verursachen.

- Den Motor in einer Notsituation anhalten: Schalten Sie den Ein-/Ausschalter auf die Aus-Position (O).

BETRIEB

- Stellen Sie immer den Motor ab, ziehen Sie den Zündkerzenstecker von der Zündkerze, lassen Sie sie abkühlen und stellen Sie sicher, dass alle bewegenden Teile zum Stillstand gekommen sind, bevor:
 - Sie nachtanken
 - Sie der Arbeitsposition oder der Rückgriff-Position einstellen.
 - Sie das Produkt unbeaufsichtigt zurücklassen
 - Sie das Produkt reinigen.
 - Sie das Zubehör wechseln.
 - Sie Blockierungen entfernen.
 - Sie es auf Schäden überprüfen, wenn es von einem Fremdkörper getroffen wurde.
 - Sie es auf Schäden überprüfen, wenn es anfängt ungewöhnlich zu vibrieren
 - Sie Wartungsarbeiten durchführen
- Starten Sie den Motor nur, wenn die Heckenschere sich in einer sicheren Arbeitsposition befindet. Der Hersteller empfiehlt, dass Sie das Produkt so auf dem Boden platzieren, dass die Schneidmesser mit nichts in Berührung kommen, bevor Sie den Motor starten.
- Während Sie die Heckenschere bedienen, vermeiden Sie eine abnormale Körperhaltung und stellen Sie sich nicht auf instabilen Untergrund. Sorgen Sie für einen sicheren Stand und halten Sie jederzeit das Gleichgewicht. Der Hersteller empfiehlt die Benutzung von Trittleitern oder Leitern nicht. Benutzen Sie ein Werkzeug mit Verlängerung, wenn Schneiden in größerer Höhe erforderlich ist.
- Betreiben Sie das Produkt nicht mit beschädigtem oder übermäßig abgenutztem Schneidwerkzeug.
- Halten Sie den Motor frei von Schmutz, Blättern und überschüssigem Öl, um die Feuergefahr zu verringern.
- Vergewissern Sie sich beim Einsatz der Heckenschere immer, dass alle Griffe und Schutzvorrichtungen angebracht sind. Versuchen Sie niemals ein unvollständiges, oder mit unautorisierten Modifikationen

ausgestattete Heckenschere zu benutzen.

- Benutzen Sie immer beide Hände um eine Maschine, welche mit zwei Griffen ausgestattet ist, zu bedienen.
- Machen Sie sich mit der Umgebung vertraut und achten Sie auf mögliche Gefahren, die Sie aufgrund des Lärms der Maschine vielleicht nicht bemerken.

ZUSÄTZLICHE WARNUNG

- Verwenden Sie den Motor nicht in geschlossenen Räumen in denen sich gefährliche Kohlenmonoxidgase sammeln könnten. Kohlenmonoxid ist ein farbloses, geruchloses und geschmackloses Gas, welche äußerst gefährlich ist und zu Übelkeit, Ohnmacht oder Tod führen kann.
- Arbeiten Sie mit diesem Produkt nicht, wenn Sie müde oder krank sind, oder unter dem Einfluss von Alkohol, Drogen oder Medikamenten stehen.
- Stellen Sie vor jeder Benutzung sicher, dass alle Bedienelemente und Sicherheitsvorrichtung ordnungsgemäß funktionieren. Benutzen Sie das Produkt nicht, wenn der "Aus" Schalter den Motor nicht stoppt. Lassen Sie defekte Schalter durch einen autorisierten Kundendienst austauschen.
- Untersuchen Sie das Produkt vor jeder Benutzung. Überprüfen Sie auf lockere Verschlüsse, Treibstofflecks, usw. Verwenden Sie das Gerät nicht, wenn Kraftstoff austritt oder Griffe und Schutzvorrichtungen nicht sicher befestigt und voll funktionsfähig sind.
- Binden Sie lange Haare zurück, so dass diese sich über Schulterhöhe befinden um zu verhindern, dass sie sich in beweglichen Teilen verfangen.
- Nicht bei schlechter Beleuchtung verwenden. Der Benutzer braucht einen ungehinderten Blick auf den Arbeitsbereich, um mögliche Gefahren zu erkennen.
- Untersuchen Sie vor jeder Benutzung den Arbeitsbereich. Entfernen Sie alle Fremdkörper wie Pflöcke, Draht oder Schnur, die an beweglichen Teilen oder Schneidwerkzeugen verwickelt werden oder sie beschädigen könnten.
- Überprüfen Sie ständig, ob sich Personen oder Tiere hinter oder in einer Hecke oder einem Busch befinden, die Sie schneiden wollen. Der Betrieb ähnlicher Werkzeuge in der Umgebung erhöht das Risiko von Gehörschäden und die Wahrscheinlichkeit, dass andere Personen Ihren Arbeitsbereich betreten.
- Überprüfen Sie Bolzen, Muttern und Schrauben immer wieder, ob alles fest angezogen ist, so dass das Produkt in einem sicheren Zustand ist. Jedes beschädigte Teil sollte durch den autorisierten Kundendienst ordnungsgemäß repariert oder ausgetauscht werden.

⚠ WARNUNG

Wenn der Gashebel losgelassen wird und der Motor im Leerlauf läuft, dürfen sich die Schneidwerkzeuge nicht bewegen. Wenn sie sich doch weiter bewegen, besteht die Gefahr schwerer Verletzungen für den Benutzer. Benutzen Sie das Produkt nicht. Geben Sie es an einen autorisierten Kundendienst zur professionellen Reparatur zurück.

EN
FR
DE
ES
IT
NL
PT
DA
SV
FI
NO
RU
PL
CS
HU
RO
LV
LT
ET
HR
SL
SK
BG
UK
TR

- Berühren Sie den Bereich um den Schalldämpfer und Motor des Gerätes nicht; diese Teile werden während des Betriebs heiß.
- Verändern Sie das Produkt nicht in irgendeiner Weise.
- Führen Sie das Produkt nicht mit Gewalt durch dichtes Strauchwerk. Dies kann dazu führen, dass das Schneidwerkzeug blockieren und dadurch langsamer werden. Sollte die Schneidwerkzeuge langsamer werden, verringern Sie die Arbeitsgeschwindigkeit.
- Versuchen Sie nicht, Äste oder Zweige mit einem Durchmesser von mehr als 28 mm zu schneiden, oder Äste oder Zweige zu schneiden, die offensichtlich zu groß sind, um zwischen die Schneidwerkzeuge zu passen. Verwenden Sie eine Hand- oder Astsäge ohne Motor, um größere Äste und Stämme zu schneiden.
- Stellen Sie sicher, dass ein laufender oder heißer Motor und Schalldämpfer ausreichend von brennbaren Materialien ferngehalten wird, um die Brandgefahr zu reduzieren.

TRANSPORT UND LAGERUNG

- Stoppen Sie die Maschine und lassen Sie sie abkühlen, bevor Sie sie lagern oder transportieren.
- Entfernen Sie alle Fremdkörper vom Produkt.
- Decken Sie das Schneidwerkzeug mit dem Transportschutz ab.
- Den gesamten Kraftstoff aus dem Tank in einen für Benzin zugelassenen Behälter ablassen. Denken Sie daran, den Tankdeckel richtig zu ersetzen und ihn festzuziehen.
- Den Motor laufen lassen, bis er stoppt. Das entfernt das gesamte Kraftstoff-Ölgemisch, das alt werden könnte und Ablagerungen und eine Verharzung des Kraftstoffsystems verursachen könnte.
- Lagern Sie das Produkt an einem kühlen, trockenen und gut belüfteten Ort, der für Kinder unzugänglich und weit entfernt von Zündquellen ist.
- Von korrodierend wirkenden Stoffen, wie Gartenchemikalien und Enteisungssalzen, fernhalten.
- Nicht im Freien lagern.
- Sichern Sie das Produkt beim Transport in einem Fahrzeug gegen Bewegung oder Herunterfallen, um Verletzungen und Beschädigung des Produkts zu verhindern.
- Schleppen oder transportieren Sie das Produkt niemals während der Motor läuft.
- Alle Gesetze und örtlichen Vorschriften für die sichere Aufbewahrung und den Umgang mit Benzin einhalten.

Kurzfristige Aufbewahrung (weniger als 1 Monat)

- Schalten Sie den Motor aus und warten Sie, bis er abgekühlt ist, ehe Sie das Gerät verstauen.
- Decken Sie das Schneidwerkzeug mit dem Transportschutz ab.
- Lagern Sie das Produkt an einem kühlen, trockenen und gut belüfteten Ort, der für Kinder unzugänglich und weit entfernt von Zündquellen ist.
- Von korrodierend wirkenden Stoffen, wie

- Gartenchemikalien und Enteisungssalzen, fernhalten.
- Nicht im Freien lagern.

WARTUNG UND PFLEGE

⚠️ WARNUNG

Service und Wartung des Gerätes erfordert besonderen Sorgfalt und Kenntnisstand und sollte nur durch qualifiziertes Personal durchgeführt werden. Für Wartung und Reparaturen müssen Sie das Produkt zu Ihrem nächsten autorisierten Kundendienst bringen. Beim Service sollten Sie nur originale Ersatzteile benutzen.

⚠️ WARNUNG

Schneidwerkzeuge sind scharf! Tragen Sie beim Umgang mit den Schneidwerkzeugen rutschfeste und schwere Schutzhandschuhe. Bringen Sie Hand oder Finger nicht zwischen das Schneidwerkzeug oder in eine Position, in der Sie gequetscht oder geschnitten werden könnten. Berühren Sie niemals das Schneidmesser oder bedienen das Produkt, wenn es mit dem Zündkabel verbunden ist.

⚠️ WARNUNG

Lassen Sie niemals Brennstoffe, Benzin, Produkte auf Erdölbasis, Rostlöser usw. mit den Plastikteilen in Kontakt geraten. Chemikalien können Plastik beschädigen, aufweichen oder zerstören, was zu schweren Verletzungen führen kann.

⚠️ WARNUNG

Versuchen Sie nicht, dieses Gerät zu verändern oder Zubehör zu erstellen, das für dieses Gerät nicht empfohlen ist. Jegliche Änderungen und Modifikationen stellen einen Missbrauch dar und könnten schwere Personen- und Sachschäden mit sich bringen.

- Sie dürfen die in dieser Bedienungsanleitung beschriebenen Einstellungen und Reparaturen durchführen. Kontaktieren Sie Ihren autorisierten Kundendienst für andere Reparaturen.
- Die Folgen falscher Wartung können übermäßige Kohlenstoffablagerungen und als zu Leistungsverlust und schwarzen, öligen Rückständen die von dem Schalldämpfer tropfen, führen.
- Reinigen Sie das Gehäuse und die Griffe nach jeder Benutzung des Produktes mit einem weichen, trockenen Lappen.
- Reinigen Sie nach jeder Benutzung das Schneidwerkzeug von Schmutz mit einer harten Bürste und tragen dann vorsichtig ein Öl als Rostschutz auf, bevor Sie den Transportschutz wieder anbringen. Benutzen Sie das empfohlene Spray als Rostschutz und zum Ölen, um eine gleichmäßige Verteilung zu gewährleisten und die Gefahr einer Verletzung durch Berührung des Schneidwerkzeugs zu verringern.



Fragen Sie Ihren autorisierten Kundendienst nach ein geeignetes Spray-Produkt.

- Sie können die Schneidwerkzeuge vor jeder Benutzung auf die oben genannte Weise leicht einölen.
- Überprüfen Sie Bolzen, Muttern und Schrauben immer wieder, ob alles fest angezogen ist, so dass das Produkt in einem sicheren Zustand ist. Jedes beschädigte Teil sollte durch den autorisierten Kundendienst ordnungsgemäß repariert oder ausgetauscht werden.

SCHNEIDWERKZEUG AUSTAUSCHEN

- Überprüfen Sie das Schneidwerkzeug regelmäßig auf Beschädigung und Abnutzung. Wenn das Schneidwerkzeug beschädigt ist, sollte es ordnungsgemäß durch ein autorisiertes Service-Center repariert oder ausgetauscht werden.

ENTFERNUNG EINER BLOCKIERUNG

- Stellen Sie den Motor ab und warten Sie, bis alle beweglichen Teile zum Stillstand gekommen sind.
- Ziehen Sie das Zündkerzenkabel ab.
- Die Schneidwerkzeuge sind scharf. Tragen Sie schwere Schutzhandschuhe, wenn Sie in der Nähe des Schneidwerkzeugs arbeiten.
- Entfernen Sie vorsichtig Blockaden oder Fremdkörper vom Schneidwerkzeug oder anderen beweglichen Teilen.

RESTRISIKEN

Sogar wenn das Produkt wie vorgeschrieben benutzt wird, ist es unmöglich ein gewisses Restrisiko vollständig zu beseitigen. Die folgenden Gefahren können bei der Benutzung entstehen, und der Benutzer sollte besonders auf folgende Punkte achten:

- Durch Kontakt mit dem Schneidwerkzeug verursachte Verletzung
 - Stellen Sie sicher, dass der Transportschutz montiert ist, wenn das Produkt nicht benutzt wird. Halten Sie immer Hände und Füße von den Schneidwerkzeugen fern.
- Durch Vibrationen verursachte Verletzungen.
 - Benutzen Sie immer das richtige Werkzeug für die Aufgabe; benutzen Sie die vorgesehenen Griffe und schränken die Arbeitszeit und Exposition ein. Siehe Abschnitt „Risikoverringern“ in diesem Handbuch.
- Lärm kann zu Gehörschaden führen.
 - Tragen Sie einen Gehörschutz und schränken Sie die Belastung ein.
- Augenverletzungen aufgrund von fliegendem Fremdkörpern.
 - Tragen Sie immer einen Augenschutz.
- Verletzungsgefahr durch herabfallende Objekte.
 - Bei Arbeiten in Bereichen wo die Gefahr herabfallender Objekte besteht, muss Kopfschutz getragen werden.

RISIKOVERRINGERUNG

Vibrationen von in der Hand gehaltenen Werkzeugen können bei einigen Personen zu einem Zustand, der Raynaud-Syndrom genannt wird, führen. Symptome sind u.a. Kribbeln, Taubheitsgefühl und episodische Weißfärbung der Finger und treten normalerweise bei Kälte auf. Man geht davon aus, dass ererbte Faktoren, Kälte und Feuchtigkeit, Essgewohnheiten, Rauchen und Arbeitsweise zur Entwicklung dieser Symptome beitragen. Der Anwender kann Maßnahmen ergreifen, um die Auswirkungen der Vibrationen möglicherweise zu verringern:

- Halten Sie den Körper bei Kälte warm. Tragen Sie beim Betrieb des Produkts Handschuhe, um Hände und Handgelenke warm zu halten. Berichten zu Folge ist kaltes Wetter ein wesentlicher Faktor, der zum Raynaud Syndrom beiträgt.
- Betätigen Sie sich nach jedem Einsatz körperlich, um den Blutkreislauf zu steigern.
- Machen Sie regelmäßig Pausen. Beschränken Sie die Beanspruchung pro Tag.

Sollten bei Ihnen Symptome dieses Zustands auftreten, stellen Sie unverzüglich den Betrieb ein und suchen Sie in Hinsicht auf die Symptome einen Arzt auf.

⚠️ WARNUNG

Verletzungen können durch lange Benutzung eines Werkzeugs entstehen oder verschlimmert werden. Machen Sie regelmäßig Pause, wenn Sie ein Werkzeug für lange Zeit benutzen.

MACHEN SIE SICH MIT IHREM PRODUKT VERTRAUT

Siehe Abbildung 191.

1. Choke-Schieber
2. Einspritzpumpe
3. Abdeckung
4. Vorderer Haltegriff
5. Zündkerzenkappe
6. Startergriff
7. Sägeblatt
8. Luftfilterabdeckung
9. Luftkastenabdeckungsknopf
10. Tankdeckel
11. Verriegelung für den Drehgriff
12. Gasdrücker
13. Drehbarer Griff
14. Startgasarretierer
15. Ein-/Ausschalter
16. Transportschutz

SYMBOLS AUF DEM PRODUKT



Sicherheitswarnung

EN
FR
DE
ES
IT
NL
PT
DA
SV
FI
NO
RU
PL
CS
HU
RO
LV
LT
ET
HR
SL
SK
BG
UK
TR





Um das Risiko von Verletzungen zu minimieren, muss der Benutzer die Bedienungsanleitung lesen und verstehen bevor er dieses Produkt benutzt.



Tragen Sie einen Gehörschutz



Tragen Sie einen Augenschutz



Halten Sie die Heckenschere beim Betrieb immer mit beiden Händen.



Tragen Sie rutschfeste, schwere Schutzhandschuhe.



Berühren Sie zur Vermeidung von Verletzungen nicht die Schneidmesser.



Achten Sie auf geschleuderte oder fliegende Objekte. Halten Sie alle Zuschauer, besonders Kinder und Haustiere, mindestens 15 m von dem Arbeitsbereich fern.



Verwenden Sie bleifreies Benzin für Autos mit einem Oktanindex von 91 ((R+M)/2) oder höher.



Verwenden Sie ein synthetisches Zweitaktöl für Motoren mit Luftkühlung.



Mischen Sie den Kraftstoff und das 2-Takt-Motoröl gründlich vor dem Auffüllen.



Vermeiden Sie zur Verringerung des Verletzungs- oder Beschädigungsrisikos Kontakt mit heißen Oberflächen.



Drücken Sie die Einspritzpumpe 10 Mal.



Stellen Sie den Chokehebel auf die "VOLL" Position.



Stellen Sie den Chokehebel auf die "HALB" Position.



Stellen Sie den Chokehebel auf die "BETRIEB" Position.



Lassen Sie das Produkt für 10 Sekunden im Leerlauf laufen.



Den Startergriff ziehen bis der Motor anspringt.



EINEN KALTEN MOTOR ANLASSEN



EINEN WARMEN MOTOR ANLASSEN



Um den Drehgriff zu drehen, ziehen Sie die Verriegelung des Drehgriffs. Drehen Sie den Griff nach links oder rechts und lassen Sie die Verriegelung los. Drehen Sie den Drehgriff, bis er in der 45°- oder 90°-Position einrastet.



Drücken Sie den Sperrknopf und den Gashebel.



Stellen Sie den Schalter auf die "I" Position, bevor Sie versuchen das Produkt zu starten.



Dieses Gerät entspricht allen gesetzlichen Normen des Landes der Europäischen Union, in dem es gekauft wurde.



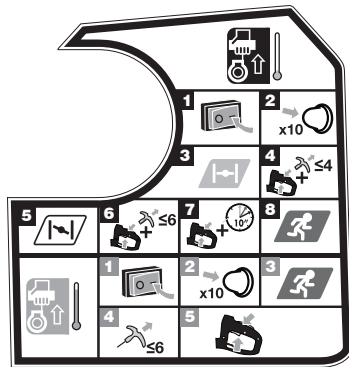
EurAsian Konformitätszeichen



Ukrainisches Prüfzeichen



Der garantierte Schalleistungspegel beträgt 105 dB(A).



HINWEIS: Legen Sie die Heckenschere auf ebenen Untergrund und stellen sicher, dass keine Gegenstände oder Hindernisse, die in Berührung mit dem Schneidwerkzeug kommen könnten, in der Nähe sind.

Einen kalten Motor starten:

1. Stellen Sie den On-/Off-Schalter (Ein-/Aus-Schalter) auf Position „A“.
2. Drücken Sie die Einspritzpumpe 10 Mal.
HINWEIS: Nach 7 Mal drücken sollte Treibstoff in die Einspritzpumpe sichtbar sein. Falls nicht, drücken Sie weiter bis Treibstoff zu sehen ist.
3. Stellen Sie den Choke-Hebel auf die Position I-II.
4. Drücken Sie den Sperrknopf und den Gashebel. Den Startergriff ziehen, bis der Motor anspringt. Ziehen Sie den Startergriff nicht mehr als 4 Mal.
5. Stellen Sie den Choke-Hebel auf die Position I-III.
6. Drücken Sie den Sperrknopf und den Gashebel. Den Startergriff ziehen bis der Motor anspringt. Ziehen Sie den Startergriff nicht mehr als 6 Mal.
7. Drücken Sie den Sperrknopf und den Gashebel. Lassen Sie das Produkt für 10 Sekunden im Leerlauf laufen.
8. Stellen Sie den Choke-Hebel auf die Position III.

Einen warmen Motor anlassen:

1. Stellen Sie den On-/Off-Schalter (Ein-/Aus-Schalter) auf Position „A“.
2. Drücken Sie die Einspritzpumpe 10 Mal.
HINWEIS: Nach 7 Mal drücken sollte Treibstoff in die Einspritzpumpe sichtbar sein. Falls nicht, drücken Sie weiter bis Treibstoff zu sehen ist.
3. Stellen Sie den Choke-Hebel auf die Position III.
4. Halten und drücken Sie den Drehgriff, den Gashebel und die Gashebelsperre fest mit der linken Hand. Den Startergriff ziehen bis der Motor anspringt. Ziehen Sie den Startergriff nicht mehr als 6 Mal.
5. Drücken Sie den Sperrknopf und den Gashebel.

SYMBOLS IN DIESER BEDIENUNGSANLEITUNG



Teile oder Zubehör getrennt erhältlich



Hinweis



Warnung



Rauchen Sie nicht, wenn Sie Treibstoff mischen oder den Tank auffüllen.



Brandgefahr.



Um das Gerät auszuschalten, drücken und halten Sie den Schalter „I/O“ in der Position „O“.

Mit den folgenden Symbolen wird die Bedeutung der verschiedenen Risikostufen, die mit dem Produkt einhergehen, dargestellt.

GEFAHR

Weist auf eine unmittelbare gefährliche Situation hin, die, falls nicht vermieden, zu Tod oder ernsthafter Verletzung führen kann.

WARNUNG

Weist auf eine mögliche gefährliche Situation hin, die, falls nicht vermieden, zu Tod oder ernsthafter Verletzung führen kann.

VORSICHT

Weist auf eine mögliche gefährliche Situation hin, die, falls nicht vermieden, zu einer leichten oder mittleren Verletzung führen kann.

VORSICHT

Ohne Sicherheitswarnsymbol

Weist auf eine Situation hin, die zu Sachbeschädigungen führen kann.

- EN
- FR
- DE**
- ES
- IT
- NL
- PT
- DA
- SV
- FI
- NO
- RU
- PL
- CS
- HU
- RO
- LV
- LT
- ET
- HR
- SL
- SK
- BG
- UK
- TR

WARTUNGSPLAN

	Vor jedem Gebrauch	Nach dem ersten Monat oder 20 Betriebsstunden	Alle 3 Monate oder 50 Betriebsstunden	Alle 6 Monate oder 100 Betriebsstunden	Jedes Jahr oder nach 300 Betriebsstunden
Motoröl prüfen	■				
Motoröl austauschen		■		■	
Luftfilter prüfen	■				
Den Luftfilter reinigen.			■		
Luftfilter austauschen					■
Zündkerze prüfen/einstellen				■	
Ersatz Zündkerze					■
Leerlaufdrehzahl prüfen/einstellen					■
Das Funkenfänger reinigen.			■		
Mit einem neuen Funkenfänger ersetzen.					■
Ventilspiel prüfen/einstellen ¹					■
Kraftstofftank und Filter reinigen ¹				■	
Kraftstoffschlauch prüfen	■				
Inspektion des Treibstofffilters	■				
Ersatz Kraftstofffilter					■
Alle Schlauchverbindungen prüfen	■				
Tankentlüftungsventil (falls vorhanden) überprüfen	■				
Aktivkohlebehälter überprüfen (nur Vergaser-Modelle)	■				

1. Diese Posten dürfen nur von einem autorisierten Service-Center durchgeführt werden.

HINWEISE:

- Wenn das Produkt in Bereichen mit hohem Staubaufkommen verwendet wird, sollte die Wartung häufiger durchgeführt werden.
- Wenn das Gerät die in der Tabelle angegebenen Maximalzahlen überschritten hat, sollten die Wartungsintervalle entsprechend den in der Tabelle angegebenen Zeiten oder Stunden festgelegt werden.



- EN
- FR
- DE**
- ES
- IT
- NL
- PT
- DA
- SV
- FI
- NO
- RU
- PL
- CS
- HU
- RO
- LV
- LT
- ET
- HR
- SL
- SK
- BG
- UK
- TR

FEHLERBEHEBUNG

Problem	Mögliche Ursache	Lösung
Motor springt nicht an.	Kein Zündfunke.	Auf Funken prüfen. Die Zündkerze herausnehmen. Bringen Sie den Zündkerzenstecker wieder an und setzen Sie die Zündkerze auf den Metallzylinder. Ziehen Sie das Starterseil und achten Sie auf Funken an der Zündkerzenspitze. Wenn es keinen Funken gibt, wiederholen Sie den Test mit einer neuen Zündkerze.
	Kein Treibstoff	Drücken Sie die Einspritzpumpe, bis sie mit Kraftstoff gefüllt ist. Wenn die Einspritzpumpe sich nicht füllt, ist das primäre Kraftstofffördersystem blockiert. Wenden Sie sich an einen Kundendienst. Wenn die Einspritzpumpe sich füllt, kann der Motor geflutet werden. Fahren Sie mit dem nächsten Punkt fort.
	Der Motor ist überflutet.	Ziehen Sie den Startergriff dreimal, während sich der Choke-Hebel auf der Position befindet. Wenn der Motor nicht startet, stellen Sie den Choke-Hebel auf die Position und wiederholen Sie den normalen Startvorgang. Wenn der Motor noch immer nicht anspringt, den Vorgang mit einer neuen Zündkerze wiederholen.
	Das Starterseil ist schwer zu ziehen.	Wenden Sie sich an einen Kundendienst.
Der Motor startet, beschleunigt aber nicht.	Der Motor benötigt etwa drei Minuten, um sich aufzuwärmen.	Lassen Sie den Motor vollständig warmlaufen. Wenn der Motor nicht nach drei Minuten beschleunigt, wenden Sie sich an einen Kundendienst.
Der Motor springt an, aber läuft nur mit hoher Geschwindigkeit bei halb eingestelltem Choke.	Vergaser muss eingestellt werden.	Wenden Sie sich an einen Kundendienst.
Motor erreicht die Nenndrehzahl nicht und/oder raucht stark.	Öl-Kraftstoff-Gemisch prüfen.	Frisches Benzin und die korrekte Zweitaktmotorölmischung verwenden.
	Luftfilter ist verschmutzt.	Den Luftfilter reinigen. Siehe Wartung - Luftfilter reinigen wie vorher beschrieben in dieser Bedienungsanleitung.
Motor springt an, läuft, beschleunigt, läuft aber nicht bei Leerlaufdrehzahl.	Funkenlöschsieb ist verschmutzt.	Wenden Sie sich an einen Kundendienst.
	Die Leerlaufdrehzahlschraube am Vergaser muss eingestellt werden.	Wenden Sie sich an einen Kundendienst.



En el diseño de este cortasetos de gasolina, se ha dado prioridad absoluta a la seguridad, el rendimiento y la fiabilidad.

USO PREVISTO

El uso del cortasetos de gasolina está destinado exclusivamente a personas adultas que hayan leído y comprendido las instrucciones y las advertencias de este manual, y que puedan considerarse responsables de sus acciones.

El producto solo está pensado para utilizarse al aire libre en una zona bien ventilada. Por razones de seguridad, es necesario controlar el producto correctamente utilizando las dos manos.

El producto está diseñado para uso doméstico. Está diseñado para talar y cortar setos, arbustos y vegetación similar con tallos o ramitas de un grosor inferior a 28 mm. Debe utilizarse en un lugar seco y bien iluminado.

NO está diseñada para cortar el césped, árboles o ramas. No debe utilizarse para un propósito diferente a cortar setos.

⚠ ADVERTENCIA

No intente utilizar esta herramienta sin haber leído íntegramente y haber comprendido este manual de utilización. Conserve este manual de utilización y consúltelo a menudo para trabajar con total seguridad e informar a otros posibles usuarios.

Guarde estas instrucciones.

ALERTA DE SEGURIDAD GENERAL

⚠ ADVERTENCIA

Lea todas las advertencias de peligro e instrucciones. El incumplimiento de las advertencias e instrucciones puede provocar incendios y/o lesiones graves. Conserve estas advertencias e instrucciones para poder consultarlas posteriormente.

PREPARACIÓN

⚠ ADVERTENCIA

Esta máquina puede producir lesiones graves. Lea detenidamente las instrucciones para la correcta manipulación, preparación, mantenimiento, arranque y parada de la máquina. Familiarícese con los mandos y con la correcta utilización del aparato.

- No permita que niños o individuos sin experiencia utilicen este producto.
- tenga cuidado con los tendidos eléctricos situados por encima de su cabeza
- Las personas, niños y animales deberán estar a 15 metros del aparato como mínimo. No haga funcionar la máquina mientras haya cerca personas, especialmente

niños, o animales.

- Lleve ropa adecuada. No use ropa ni joyas sueltas que puedan quedar atrapadas en las piezas móviles.

⚠ ADVERTENCIA

La utilización de cualquier herramienta eléctrica puede causar que se arrojen objetos extraños a sus ojos que pueden causar daños severos a los mismos. Antes de poner en funcionamiento el producto, lleve siempre gafas de seguridad o con protecciones laterales y, en caso necesario, una protección de cara completa. Se recomienda usar una máscara de seguridad con visión amplia sobre los lentes o gafas de seguridad estándares con protectores laterales.

- No ponga en funcionamiento el equipo mientras esté descalzo o lleve sandalias o un calzado ligero similar. Use calzado protector antideslizante que le proteja los pies y mejore su equilibrio en superficies deslizantes.

⚠ ADVERTENCIA

Tenga especial cuidado en el manejo de combustibles. La gasolina es inflamable y los vapores son tóxicos y explosivos.

- Utilice exclusivamente los contenedores de combustible homologados para gasolina.
- Añada combustible antes de encender el motor. Nunca retire la tapa del depósito de combustible ni añada combustible mientras el motor esté funcionando o caliente.
- No fume.
- Repueste siempre en el exterior. Nunca repueste en el interior ni en una zona poco ventilada. Manténgalo alejado de todo tipo de fuente de ignición, chispas y llamas.
- Nunca guarde el producto con combustible en el depósito de combustible dentro de un edificio donde haya fuentes de ignición, como calentadores de agua o de ambiente, secadoras de ropa o aparatos similares.
- Utilice un trapo para limpiar el combustible que se haya derramado en la unidad. Aléjese 9 m (30 pies) del lugar de repostaje antes de arrancar el motor.
- Reinstale todo el depósito de combustible y las tapas del recipiente con seguridad.
- Si se drena el tanque de combustible, debe hacerse al aire libre.
- Si el mecanismo de corte golpea algún objeto extraño o si la máquina comienza a hacer algún ruido o vibración inusual, apague la fuente de alimentación y deje que la máquina se detenga. Desconecte el cable de la bujía de la bujía y siga los siguientes pasos:
 - inspeccionar los daños
 - compruebe y sustituya cualquier pieza suelta.En caso de piezas dañadas, reemplácelas o repárelas con piezas que tengan especificaciones equivalentes.

⚠ ADVERTENCIA

Este producto hace ruido durante su funcionamiento. Debe usar protección auditiva para reducir el riesgo de lesión auditiva a largo plazo.

⚠ ADVERTENCIA

Lleve siempre gafas de seguridad o gafas de protección con pantallas laterales cuando utilice esta herramienta. Si incumple esta instrucción, pueden proyectarse cuerpos extraños a sus ojos y provocarle graves lesiones oculares.

- Para detener el motor en una situación de emergencia: Coloque el interruptor de encendido/apagado en la posición de apagado (O).

UTILIZACIÓN

- Detenga siempre el motor, desconecte de la bujía de su tapa, deje que se enfríe y asegúrese de que todas las piezas móviles se han detenido por completo antes de:
 - Repostaje
 - ajuste de la posición de funcionamiento o de la posición del manillar posterior
 - dejar el producto desatendido
 - limpiar el producto
 - cambiar los accesorios
 - eliminar obstrucciones
 - comprobar si hay daños después de golpear un objeto
 - comprobar si hay daños en caso de que el producto empiece a vibrar de un modo anormal
 - realizar operaciones de mantenimiento
- Encienda solo el motor cuando el cortasetos se encuentre en una posición de trabajo segura. El fabricante recomienda que el producto se coloque en el suelo donde las hojas no puedan entrar en contacto con nada antes de encender el motor.
- Mientras utilice el cortasetos, no se extralimite ni se pare sobre un soporte inestable. Afírmese bien en sus piernas y no extienda demasiado el brazo. El fabricante no recomienda el uso de escalones o escaleras. Si hay que recortar desde una posición más alta, utilice una herramienta de alcance extensible.
- No utilice la máquina con un dispositivo de corte dañado o excesivamente desgastado.
- Para reducir el riesgo de incendio, mantenga el motor y el silenciador libre de residuos, hojas o un exceso de lubricante.
- Asegúrese siempre de que todas las protecciones y mangos estén correctamente acoplados en el equipo. Nunca intente utilizar un producto incompleto o uno equipado con una modificación no autorizada.
- Utilice siempre las dos manos para hacer funcionar la máquina provista de dos asas.
- Familiarícese con el entorno y esté atento a posibles peligros que pueda haber pasado por alto debido al ruido de la máquina.

AVISO ADICIONAL

- No haga funcionar el motor en un área no ventilada o donde no haya una buena extracción de emanaciones de monóxido de carbono. El monóxido de carbono, un gas incoloro, inodoro y extremadamente peligroso, puede provocar la pérdida de conocimiento o la muerte.
- No utilice este producto si está cansado o si se encuentra bajo la influencia de drogas, alcohol o medicamentos.
- Antes de cada uso, asegúrese de que todos los controles y dispositivos de seguridad funcionan correctamente. No utilice el aparato si el interruptor "off" no para el motor. Los interruptores defectuosos deben ser reemplazados en un centro de servicio habilitado ryobi.
- Inspeccione la máquina antes de cada uso. Compruebe los cierres sueltos, las fugas de combustible, etc. No lo ponga en funcionamiento si hay fugas de combustible o si los manillares y las protecciones no están asegurados y son completamente funcionales.
- Recoja el cabello largo para que quede por encima del nivel de los hombros y evitar así que se enmarañe en cualquier pieza móvil.
- No trabaje con esta herramienta en una zona mal iluminada. El operador debe tener una visión clara de la zona de trabajo para identificar peligros potenciales.
- Limpie el área de trabajo antes de cada uso. Retire todos los objetos extraños como postes, cables o cuerdas que puedan dañar o enredarse en las piezas móviles o medios de corte.
- Compruebe constantemente que no haya personas o animales detrás o dentro de cada seto o arbusto que vaya a podar. Utilizar herramientas similares a poca distancia aumenta tanto el riesgo de lesión auditiva como el riesgo potencial de que otras personas accedan a su área de trabajo.
- Verifique a intervalos frecuentes si todas las tuercas, pernos y tornillos están apretados apropiadamente para asegurarse de que el producto esté en buenas condiciones de trabajo. Cualquier pieza dañada debe ser sustituida o reparada adecuadamente por un centro de servicio autorizado.

⚠ ADVERTENCIA

Cuando se suelta el gatillo del acelerador y el motor funciona al ralentí, el cabezal o cuchilla de corte no debe moverse. Si continúa moviéndose, existe riesgo de lesiones graves al operario. No use la máquina. Entréguelo a un centro de servicio autorizado para que lo ajuste un profesional.

- No toque el área de alrededor del sistema de silenciador o motor del aparato, ya que estas piezas se calientan durante el funcionamiento.
- No modifique el producto en modo alguno.
- No fuerce el cortasetos al cortar zonas de arbustos duros. Esto puede hacer que las cuchillas se doblen y se ralenticen. Si las cuchillas se ralentizan, reduzca el ritmo de corte.

- No intente cortar tallos o ramas de más de 28 mm de grosor, o los que, obviamente, sean demasiado grandes para la cuchilla de corte. Utilice una sierra de mano no motorizada o una sierra escamondadora para podar tallos largos.
- Asegúrese de mantener un motor encendido o caliente y el silenciador bien apartados de los materiales combustibles para reducir el riesgo de incendio.

TRANSPORTE Y ALMACENAMIENTO

- Pare la máquina y deje que se enfríe antes de guardarla o transportarla.
- Limpie todo el material extraño que pueda permanecer en el producto.
- Cubra la hoja con el protector de hoja (funda).
- Vacíe completamente el depósito de combustible en un contenedor de gasolina homologado. Recuerde sustituir y apretar el tapón de combustible correctamente.
- Deje funcionar el motor hasta que se detenga. Esto eliminará todo el combustible que puede quedar viejo y deje barniz y goma en el sistema de combustible.
- Guarde el producto en un lugar fresco, seco y bien ventilado que sea inaccesible por parte de niños y lejos de fuentes de ignición.
- Evite el contacto con agentes corrosivos tales como productos químicos de jardinería o sales descongelantes.
- No almacenar al aire libre.
- Para transportar el producto, sujételo de modo que no se mueva ni se caiga para evitar lesiones personales o daños al producto.
- No lleve ni transporte el producto mientras esté funcionando.
- Respete toda la legislación nacional y local sobre seguridad para el almacenamiento y la manipulación de la gasolina.

Almacenamiento a corto plazo (menos de un mes)

- Pare el motor y deje que se enfríe antes de guardarlo.
- Cubra la hoja con el protector de hoja (funda).
- Guarde el producto en un lugar fresco, seco y bien ventilado que sea inaccesible por parte de niños y lejos de fuentes de ignición.
- Evite el contacto con agentes corrosivos tales como productos químicos de jardinería o sales descongelantes.
- No almacenar al aire libre.

MANTENIMIENTO

⚠ ADVERTENCIA

Las reparaciones requieren tener mucho cuidado y conocimiento y sólo debe realizarse por un técnico de servicio calificado. Para obtener servicio, le sugerimos que devuelva el producto al centro de servicio autorizado más cercano para reparación. Al realizar una reparación, sólo use piezas de reemplazo idénticas.

⚠ ADVERTENCIA

Las cuchillas son afiladas. Al utilizar el conjunto de cuchillas, utilice guantes de protección resistentes y antideslizantes. No coloque la mano o los dedos entre las cuchillas o en cualquier posición en la que pueda cortarse o pincharse. No toque nunca las hojas ni realice el mantenimiento del producto sin haber desconectado el cable de la bujía.

⚠ ADVERTENCIA

No permita en ningún momento que las piezas de plástico entren en contacto con líquido de frenos, gasolina, productos derivados del petróleo, aceites penetrantes, etc. Las sustancias químicas pueden dañar, debilitar o destruir el plástico, lo cual puede resultar en lesiones personales graves.

⚠ ADVERTENCIA

No intente modificar este producto o crear accesorios que no fueron recomendados para usar con este producto. Cualquier alteración o modificación se considerará como mal uso y podrá resultar en una condición peligrosa que conducirá a posibles lesiones personales serias.

- Usted puede realizar los ajustes y reparaciones descritos en este manual del usuario. Para otro tipo de reparaciones póngase en contacto con un agente de servicios autorizado.
- Las consecuencias de un mantenimiento inadecuado pueden incluir un exceso de depósitos de carbono que causarán la pérdida de rendimiento y fugas de residuos aceitosos de color negro desde el silenciador.
- Después de cada uso, limpie la estructura y los mangos del aparato con un paño seco y suave.
- Después de cada uso, limpie los restos de las láminas con un cepillo duro y, a continuación, aplique cuidadosamente un lubricante que prevenga el óxido antes de volver a colocar el protector de la lámina. El fabricante recomienda usar un pulverizador lubricante y preventivo del óxido, aplicándolo de forma uniforme y reducir así el riesgo de lesiones debido al contacto con las cuchillas. Para más información sobre el producto pulverizador apropiado, consulte a su centro de asistencia autorizado local.
- Podría lubricar las láminas ligeramente antes de usar el aparato, si fuera necesario, aplicando el método anterior.
- Verifique a intervalos frecuentes si todas las tuercas, pernos y tornillos están apretados apropiadamente para asegurarse de que el producto esté en buenas condiciones de trabajo. Cualquier pieza dañada debe ser sustituida o reparada adecuadamente por un centro de servicio autorizado.

SUSTITUIR LAS HOJAS

- Inspeccione periódicamente las cuchillas para comprobar si hay daños o desgaste. En caso de que

se dañe cualquier hoja, deberá repararse o sustituirse oportunamente por un centro de servicio autorizado.

DESPEJAR UN BLOQUEO

- Detener el motor y esperar a que todas las piezas móviles se detengan.
- Desconecte el cable de la bujía.
- Las cuchillas están afiladas. Use guantes reforzados cuando trabaje cerca de las hojas de la sierra.
- Elimine con cuidado la obstrucción o suciedad de las hojas u otras piezas móviles.

RIESGOS RESIDUALES

Incluso cuando se utiliza el producto según las instrucciones, sigue siendo imposible eliminar por completo ciertos factores de riesgo residuales. Los siguientes peligros pueden surgir en el uso y el operador debe prestar especial atención para evitar lo siguiente:

- Lesión causada por el contacto con medios de recorte
 - Asegúrese de que los protectores de las cuchillas están colocados cuando no se use el producto. Mantenga las manos y los pies apartados de las láminas en todas las circunstancias.
- Lesiones por vibración.
 - Utilice siempre la herramienta adecuada para el trabajo, utilice los mangos pertinentes y limite el tiempo de trabajo y de exposición. Consulte la sección "Reducción de riesgos" en este manual.
- Daños auditivos causados por la exposición al ruido.
 - Use protección para los oídos y limite el tiempo de exposición.
- Lesiones oculares provocadas por detritos proyectados.
 - Use siempre protección para los ojos.
- Daños provocados al caer objetos.
 - Si trabaja en un área donde existe un riesgo de caída de objetos, deberá utilizar casco.

REDUCCIÓN DEL RIESGO

Se ha informado de que las vibraciones de las herramientas de mano puede contribuir a una condición llamada síndrome de Raynaud en ciertos individuos. Los síntomas pueden incluir hormigueo, entorpecimiento y decoloración de los dedos, generalmente aparentes cuando tiene lugar una exposición al frío. Se considera que los factores hereditarios, exposición al frío y a la humedad, dieta, tabaquismo y prácticas de trabajo contribuyen al desarrollo de estos síntomas. Existen medidas que pueden ser tomadas por el operador para reducir los efectos de vibración:

- Mantenga su cuerpo caliente durante el tiempo frío. Al manipular el producto, utilice guantes para mantener las manos y las muñecas calientes. Hay informes que indican que el tiempo frío es un gran factor que contribuye al síndrome de Raynaud.
- Después de cada período de funcionamiento, realice ejercicios para aumentar la circulación sanguínea.
- Haga pausas de trabajo frecuentes. Limite la cantidad de exposición por día.

Si siente alguno de los síntomas de esta enfermedad,

interrumpa inmediatamente el uso y consulte a su médico estos síntomas.

⚠ ADVERTENCIA

El uso prolongado de una herramienta puede causar o agravar lesiones. Al utilizar cualquier herramienta durante períodos prolongados asegúrese de tomar descansos regulares.

CONOZCA SU PRODUCTO

Véase la página 191.

1. Control deslizante del obturador
2. Cebador
3. Pantalla protectora
4. Mango delantero
5. Casquillo de la bujía
6. Tirador del arrancador
7. Hoja
8. Cubierta del filtro de aire
9. Tirador de la tapa de la caja de aire
10. Tapa del depósito de combustible
11. Bloquee el disparador para el asa giratoria
12. Gatillo del acelerador
13. Mango giratorio
14. Bloqueo del gatillo del acelerador
15. Interruptor Marcha
16. Funda

SÍMBOLOS EN EL PRODUCTO



Advertencia



Para reducir el riesgo de heridas, lea atentamente y comprenda el presente manual de utilización antes de utilizar la herramienta.



Use protección auditiva



Utilice protección ocular



Sujete siempre el cortasetos con ambas manos cuando lo esté utilizando.



Use guantes de trabajo resistentes, antideslizantes.



Para evitar lesiones graves, no toque las cuchillas.



Tenga cuidado con los objetos volátiles o lanzados. Mantenga a todos los espectadores, especialmente a los niños y las mascotas, por lo menos a 15 metros de la zona de trabajo.



Utilice gasolina sin plomo para automóviles con un índice de octano de 91 ((R+M)/2) o superior.



Utilice un aceite de síntesis de dos tiempos para motores de enfriamiento de aire.



Mezcle el combustible y el lubricante de dos tiempos meticulosamente antes de repostar.



Para reducir el riesgo de lesiones o daños, evite el contacto con cualquier superficie caliente.



Pulse el cebador 10 veces.



Coloque la palanca del estrangulador en posición "FULL".



Coloque la palanca del estrangulador en la posición "HALF".



Coloque la palanca del estrangulador en posición "RUN".



Deje que el producto funcione a ralentí durante 10 segundos.



Tire de la palanca de arranque hasta que el motor arranque.



Arranque de un motor en frío



Arranque de un motor en caliente



Para girar el asa giratoria, presione el bloqueo del disparador para girar el asa. Gire el asa a la derecha o izquierda y suelte el bloqueo del disparador para girar el asa. Siga girando el asa hasta que quede bloqueada en posición de 45° o 90°.



Presione el seguro del gatillo y el gatillo del acelerador.



Ajuste el interruptor a la posición "I" antes de intentar arrancar la unidad.



Esta herramienta responde a todas las normas reglamentarias del país de la UE donde se ha comprado.



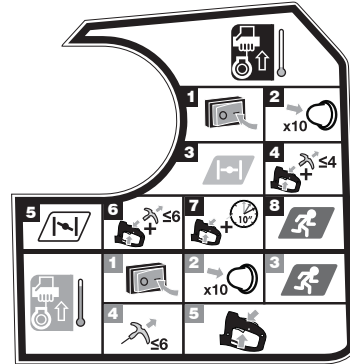
Certificado EAC de conformidad



Marca de conformidad ucraniana



El mejor nivel de potencia sonora es de 105 dB



OBSERVACIÓN: Coloque la desbrozadora a nivel del suelo y asegúrese de que no haya objetos u obstáculos cerca que puedan entrar en contacto con las cuchillas.

Para arrancar un motor en frío:

1. Fije el interruptor de encendido/apagado en la posición "I".
2. Pulse el cebador 10 veces.
OBSERVACIÓN: Después del 7º prensado, el combustible debe ser visible en el cebador. Si no, continúe haciendo presión hasta que el combustible sea visible.
3. Coloque la palanca del cebador en la posición
4. Presione el seguro del gatillo y el gatillo del acelerador. Tire de la empuñadura de arranque hasta que el motor intente arrancar. No tire de la palanca de arranque más de 4 veces.
5. Coloque la palanca del cebador en la posición
6. Presione el seguro del gatillo y el gatillo del acelerador. Tire de la palanca de arranque hasta que el motor arranque. No tire de la palanca de arranque más de 6 veces.
7. Presione el seguro del gatillo y el gatillo del acelerador. Deje que el producto funcione a ralentí durante 10 segundos.
8. Coloque la palanca del cebador en la posición

Para arrancar un motor en caliente:

1. Fije el interruptor de encendido/apagado en la posición "I".
2. Pulse el cebador 10 veces.
OBSERVACIÓN: Después del 7º prensado, el combustible debe ser visible en el cebador. Si no, continúe haciendo presión hasta que el combustible sea visible.
3. Coloque la palanca del cebador en la posición ⚡.
4. Sujete y apriete el asa giratoria, el gatillo del acelerador y el bloque del gatillo del acelerador firmemente con su mano izquierda. Tire de la palanca de arranque hasta que el motor arranque. No tire de la palanca de arranque más de 6 veces.
5. Presione el seguro del gatillo y el gatillo del acelerador.

SÍMBOLOS EN ESTE MANUAL



Las piezas o accesorios se venden por separado



Nota



Advertencia



No fume cuando mezcle combustible o rellene el depósito de combustible.



Riesgo de incendio.



Para detener el producto, pulse el interruptor I/O en posición "O".

Los siguientes símbolos y palabras detallan los niveles de cuidado necesarios para usar este producto.

⚠ PELIGRO

Indica una situación potencialmente peligrosa que, de no evitarse, puede ocasionar la muerte o heridas de gravedad.

⚠ ADVERTENCIA

Indica una situación peligrosa que, de no evitarse, puede ocasionar la muerte o heridas de gravedad.

⚠ ADVERTENCIA

Indica una situación potencialmente peligrosa que, de no evitarse, puede ocasionar heridas leves.

ADVERTENCIA

Sin símbolo de alerta de seguridad

Indica una situación que puede causar daños en las cosas.

PROGRAMA DE MANTENIMIENTO

	Antes de cada uso	Al cabo de 1 mes o 20 horas de funcionamiento	Cada 3 meses o 50 horas de funcionamiento	Cada 6 meses o 100 horas de funcionamiento	Cada año o al cabo de 300 horas de funcionamiento
Compruebe el lubricante del motor	■				
Cambie el lubricante del motor		■		■	
Compruebe el filtro del aire	■				
Limpie el filtro de aire.			■		
Cambie el filtro del aire					■
Compruebe/ajuste la bujía				■	
Reemplazo del filtro de combustible					■
Compruebe/ajuste el ralentí					■
Limpie la pantalla apagachispas.			■		
Sustitúyalo por un nuevo parachispas.					■
Compruebe/ajuste la holgura de la válvula ¹					■
Limpie el depósito de combustible y el filtro ¹				■	
Compruebe la manguera de combustible	■				
Inspeccionar el filtro de combustible	■				
Reemplazo del filtro de combustible					■
Compruebe todas las conexiones de manguera	■				
Inspeccione el respiradero de vapor del depósito de combustible (si está instalado)	■				
Inspeccione el depósito de carbón (modelos con carburador únicamente)	■				

1. Estas tareas deben ser efectuadas solo por el centro de servicio cualificado.

NOTAS:

- Se debe realizar un mantenimiento más frecuente cuando se utilice el producto en zonas con polvo.
- Cuando el producto ha superado el máximo establecido en la tabla, el mantenimiento debería realizarse cíclicamente conforme a los intervalos de tiempo y horas establecidos aquí.

RESOLUCIÓN DE PROBLEMAS

Problema	Causa posible	Solución
El motor no se enciende.	No hay bujía.	Compruebe que hay chispa. Quite la bujía. Vuelva a colocar el tapón de la bujía y coloque la bujía en el cilindro metálico. Tire de la cuerda de arranque y compruebe que haya chispa en la punta de la bujía. Si no hay chispa, repita la prueba con una nueva bujía.
	Sin combustible	Pulse el depósito del cebador hasta que esté lleno de combustible. Si el depósito no se llena, el sistema de suministro de combustible primario está bloqueado. Póngase en contacto con el servicio técnico autorizado. Si el depósito del cebador se llena, puede que el motor se desborde; siga con el siguiente elemento.
	El motor se ha ahogado.	Tire del asa de arranque 3 veces con la palanca del estrangulador en la posición . Si el motor no se enciende, coloque la palanca del estrangulador en la posición y repita el procedimiento normal de encendido. Si el motor sigue sin arrancar, repita el procedimiento con una bujía nueva.
El motor arrancará pero no acelera.	Resulta difícil tirar de la cuerda de arranque.	Póngase en contacto con el servicio técnico autorizado.
	El motor tarda unos tres minutos en calentarse.	Deje que el motor se caliente por completo. Si el motor no acelera transcurridos tres minutos, póngase en contacto con un distribuidor de servicio.
El motor se enciende pero solo funciona a alta velocidad con el cebador en la posición intermedia.	El carburador necesita un ajuste.	Póngase en contacto con el servicio técnico autorizado.
El motor no alcanza la velocidad máxima y/o produce demasiado humo.	La mezcla de combustible y lubricante no es correcta.	Utilice una mezcla reciente de gasolina y aceite para motores de dos tiempos en la proporción correcta.
	El filtro de aire está sucio.	Limpie el filtro de aire. Consulte la sección "Limpieza del filtro de aire" en la sección "Mantenimiento" de este manual.
	La pantalla apagachispas está sucia.	Póngase en contacto con el servicio técnico autorizado.
El motor arranca, funciona y acelera, pero no funciona en ralentí.	Es necesario ajustar el tornillo de ralentí en el carburador.	Póngase en contacto con el servicio técnico autorizado.

Il design del potasiepi a benzina è stato progettato per garantire sicurezza, prestazioni e affidabilità.

UTILIZZO RACCOMANDATO

Il potasiepi a benzina è destinato all'uso da parte di adulti che abbiano letto e compreso le istruzioni e le avvertenze del presente manuale e siano responsabili delle proprie azioni.

Prodotto adatto solo per essere utilizzato all'esterno in aree ben ventilate. Per ragioni di sicurezza, l'utensile deve essere adeguatamente controllato utilizzando sempre due mani.

Prodotto disegnato per utilizzo privato o domestico. È destinato al taglio e alla potatura di siepi, cespugli e arbusti simili con radici e ramoscelli spessi meno di 28 mm. Utilizzare solo in luoghi asciutti e ben illuminati.

NON adatto a tagliare erba, alberi o rami. Non utilizzare per scopi diversi oltre a sfrondare siepi.

⚠ AVVERTENZA

Non tentare di utilizzare l'apparecchio prima di avere letto per intero e ben compreso il presente manuale d'uso. Conservare questo manuale e consultarlo regolarmente per lavorare in condizioni di massima sicurezza ed informare altri eventuali utilizzatori.

Conservare le istruzioni.

AVVERTENZE GENERALI DI SICUREZZA

⚠ AVVERTENZA

Leggere tutte le avvertenze di sicurezza e le istruzioni. La non osservanza delle avvertenze e delle istruzioni potrà risultare in incendi e/o gravi lesioni. Conservare le presenti avvertenze ed istruzioni per poterle consultare in seguito.

PREPARAZIONE

⚠ AVVERTENZA

Questo utensile può causare gravi lesioni. Leggere attentamente le istruzioni per una gestione, preparazione, manutenzione avvio e arresto dell'utensile corretti. Familiarizzare con tutti i controlli e con l'utilizzo corretto del prodotto.

- Non permettere a bambini o a persone non qualificate di utilizzare questo prodotto.
- fare attenzione all'eventuale pericolo proveniente da cavi elettrici sospesi
- Tenere eventuali osservatori, bambini e animali ad almeno 15 m di distanza. Non mettere mai in funzione l'utensile in presenza di osservatori, soprattutto bambini, o animali.
- Indossare un abbigliamento adatto. Non indossare abiti ampi o gioielli che potrebbero rimanere impigliati nelle

parti in movimento dell'apparecchio.

⚠ AVVERTENZA

Alcuni elettrotensili potranno subire dei contraccolpi mentre li si utilizza che potranno lanciare in aria corpi estranei, danneggiando così la vista. Prima di utilizzare il prodotto, indossare sempre gli occhiali di sicurezza con protezioni laterali e, quando occorre, uno schermo completo per il viso. Si raccomanda inoltre di indossare una Maschera di Sicurezza con Campo Visivo Largo da utilizzare sugli occhiali o sugli occhiali di sicurezza standard con protezioni laterali.

- Non utilizzare l'apparecchiatura a piedi scalzi o indossando sandali o simili calzature leggere. Indossare calzature protettive antiscivolo che proteggano i piedi e migliorino la deambulazione sulle superfici scivolose.

⚠ AVVERTENZA

Fare la massima attenzione quando si manipolano carburanti. La benzina è infiammabile e i suoi vapori sono tossici ed esplosivi.

- Usare solo contenitori omologati per la benzina.
 - Prima di avviare il motore, aggiungere il carburante Non rimuovere mai il coperchio del serbatoio carburante né aggiungere carburante mentre il motore è in movimento oppure è caldo.
 - Non fumare.
 - Effettuare il rifornimento sempre all'aperto. Non effettuare mai il rifornimento al chiuso o in un'area con scarsa ventilazione. Tenere lontano da tutte le sorgenti di innesco, scintille e fiamme.
 - Non conservare mai il prodotto contenente carburante nel serbatoio all'interno di un edificio in cui siano presenti sorgenti di innesco, come acqua calda e radiatori per ambienti, asciugabiancheria e simili.
 - Pulire i versamenti di carburante dall'unità. Spostarsi a 9 m (30 piedi) dalla zona di ricarica carburante prima di avviare il motore.
 - Richiudere saldamente i coperchi del serbatoio carburante e del contenitore.
 - Svolgere operazioni di rimozione carburante all'aperto.
 - Nel caso in cui il meccanismo di taglio entri in contatto con corpi estranei o se la macchina si avvia producendo rumori insoliti o vibrazioni, spegnere l'alimentazione scollegarla dall'alimentazione e lasciare che si fermi. Scollegare il cavo della candela dall'alimentazione e seguire le fasi di cui sotto:
 - controllare eventuali danni
 - Verificare la presenza di parti allentate ed eventualmente sostituirle.
- Far sostituire eventuali parti danneggiate con parti con specifiche equivalenti.



⚠ AVVERTENZA

Questo prodotto è rumoroso quando meso in funzione. Per ridurre il rischio di lesioni all'udito a lungo termine, indossare una protezione per le orecchie.

⚠ AVVERTENZA

Durante l'utilizzo dell'apparecchio, indossare sempre occhiali di sicurezza o occhiali di protezione muniti di schermi laterali. La mancata osservanza di questa norma, nel caso di proiezione di corpi estranei, potrebbe causare gravi lesioni oculari.

- Arresto del motore in situazioni di emergenza Premere l'interruttore di accensione portandolo nella posizione Spento (O).

UTILIZZO

- Arrestare sempre il motore, scollegare la pipetta dalla candela, lasciarla raffreddare e accertarsi che tutte le parti in movimento si siano fermate completamente, prima di:
 - Rifornimento
 - regolare la posizione di lavoro o la posizione della maniglia posteriore
 - Lasciare il prodotto incustodito
 - Pulire il prodotto
 - cambiare gli accessori
 - rimozione dei blocchi
 - Controllare eventuali danni dopo aver colpito un oggetto
 - Controllare eventuali danni se il prodotto inizia a vibrare eccessivamente
 - Svolgere le operazioni di manutenzione
- Avviare il motore solo quando il potasiepi è in una posizione sicura per il lavoro. Prima di avviare il motore, il produttore raccomanda di posizionare il prodotto a terra, dove le lame non siano a contatto di niente.
- Durante l'utilizzo del potasiepi, non allungarsi eccessivamente né stare in piedi su un supporto instabile. Rimanere bene in equilibrio sulle gambe e non distendere troppo lontano le braccia. La ditta produttrice raccomanda di non utilizzare scale o scalette. Se si desidera svolgere operazioni di taglio a una altezza superiore, utilizzare un utensile estendibile.
- Non mettere in funzione l'utensile se presenta parti di taglio danneggiate o eccessivamente usurate.
- Per ridurre il rischio di incendi, pulire sempre il motore e rimuovere macerie, foglie e lubrificante in eccesso dal silenziatore.
- Assicurarsi sempre che i manici e i paralame siano stati correttamente installati sull'utensile. Non tentare mai di utilizzare un prodotto incompleto o uno dotato di una modifica non autorizzata.
- Utilizzare sempre due mani per mettere in funzione un utensile dotato di due manici.
- Familiarizzare con l'area di lavoro e fare sempre attenzione agli eventuali rischi che si potranno correre e potranno non venire notati a causa del rumore prodotto

dell'utensile.

ULTERIORI AVVERTENZE

- Non mettere in funzione il motore in uno spazio confinato dove si potranno raccogliere pericolosi fumi da monossido di carbonio. Il monossido di carbonio, un gas incolore, inodore ed estremamente pericoloso, può far perdere conoscenza e provocare la morte.
- Non mettere in funzione il prodotto se stanchi, malati o sotto l'influenza di alcool, droghe e medicinali.
- Assicurarsi prima di ciascun utilizzo che tutti i comandi e i dispositivi di sicurezza funzionino correttamente. Non utilizzare l'utensile se l'interruttore "off" (spento) non arresta il motore. Rivolgersi ad un Centro di Assistenza Autorizzato Ryobi per la sostituzione di un eventuale interruttore difettoso.
- Controllare l'utensile prima di ogni utilizzo. Controllare eventuali parti di collegamento allentate, perdite di carburante, ecc. Non utilizzare se ci sono perdite di carburante o se maniglie e protezioni non sono fissate e pienamente funzionali.
- Assicurare i capelli lunghi al di sopra delle spalle per evitare che rimangano impigliati nelle parti in movimento.
- Norme di sicurezza generali non utilizzare questo apparecchio in una zona scarsamente illuminata. L'area di lavoro deve essere pulita per essere in grado di individuare potenziali rischi.
- Pulire l'area di lavoro prima di ogni utilizzo. Rimuovere tutti i corpi estranei come pali, fili o cordicelle che potrebbero danneggiare le parti in movimento o taglienti oppure aggrovigliarsi con esse.
- Controllare costantemente che non vi siano persone o animali dietro o dentro le siepi o i cespugli da tagliare. Mettere in funzione utensili simili troppo vicino al proprio corpo aumenterà il rischio di lesioni all'udito e i rischi potenziali per le persone che entrano nell'area di lavoro.
- Controllare frequentemente dadi, bulloni e viti, verificando che siano stati assicurati correttamente per fare in modo che il prodotto garantisca condizioni di lavoro ottimali. Riparare eventuali parti danneggiate o farle sostituire da un centro servizi autorizzato.

⚠ AVVERTENZA

Quando la leva dell'aria viene rilasciata e il motore gira al minimo, l'accessorio di taglio o la lama non devono muoversi. Se la motosega continua a muoversi, potrà causare gravi lesioni all'operatore. Non utilizzare la macchina. Riportare presso un centro servizi autorizzato per regolazioni professionali.

- Non toccare la zona attorno al silenziatore o al motore dell'unità, queste parti si surriscaldano durante il funzionamento.
- Non modificare in alcun modo il prodotto.
- Non forzare il decespugliatore attraverso vegetazione folta. Ciò potrà causare alle lame di rimanere inceppate e di rallentare. Se le lame rallentano, ridurre il passo.

EN
FR
DE
ES
IT
NL
PT
DA
SV
FI
NO
RU
PL
CS
HU
RO
LV
LT
ET
HR
SL
SK
BG
UK
TR





- Non tentare di tagliare arbusti o rami più spessi di 28 mm o troppo grandi da inserire nelle lame di taglio. Utilizzare una sega non operata elettricamente o una sega per potatura per tagliare rami grandi.
- Per ridurre il rischio di incendi, assicurarsi di tenere il motore caldo o in funzione e il silenziatore ben distanti dai materiali combustibili.

TRASPORTO E RIPONIMENTO

- Arrestare l'utensile e lasciare raffreddarlo prima di riporlo o prima del trasporto.
- Rimuovere eventuali materiali di scarto dal prodotto.
- Coprire le lame con l'apposita protezione (fodero).
- Drenare il carburante dal serbatoio e versarlo in una tanica idonea per la benzina. Ricordarsi di sostituire e serrare adeguatamente il tappo del carburante.
- Mettere in funzione il motore fino a quando non si arresta. Rimuove tutto il carburante che può diventare stantio e lasciare gomme e lacche nel sistema del carburante.
- Conservare il prodotto in un luogo fresco, asciutto e ben ventilato, che sia inaccessibile ai bambini e ben distante dalle fonti di innesco.
- tenerlo a distanza da agenti corrosivi, come le sostanze chimiche per il giardinaggio e il fondente chimico.
- Non riporre all'esterno.
- Per il trasporto, assicurare il prodotto contro ogni movimento o contro eventuali cadute per evitare lesioni a persone o danni al prodotto.
- Non portare né trasportare mai il prodotto mentre è in funzione.
- Rispettare tutte le regolamentazioni statali e provinciali in merito al rimessaggio e al trattamento sicuro della benzina.

Conservazione a breve termine (meno di 1 mese)

- Arrestare il motore ed attendere che si sia raffreddato prima di riporre l'apparecchio.
- Coprire le lame con l'apposita protezione (fodero).
- Conservare il prodotto in un luogo fresco, asciutto e ben ventilato, che sia inaccessibile ai bambini e ben distante dalle fonti di innesco.
- tenerlo a distanza da agenti corrosivi, come le sostanze chimiche per il giardinaggio e il fondente chimico.
- Non riporre all'esterno.

MANUTENZIONE

⚠ AVVERTENZA

Le operazioni di manutenzione devono essere svolte con grande attenzione e accortezza solo da un tecnico qualificato. Per svolgere le operazioni di manutenzione e riparazione, riportare il prodotto presso il più vicino centro servizi autorizzato. Quando l'attrezzo viene riparato, utilizzare solo ricambi identici.

⚠ AVVERTENZA

Le lame sono affilate. Quando si gestisce il montaggio della lama, indossare guanti di protezione anti-scivolo e da lavoro. Non posizionare mani o dita tra le lame o in una qualsiasi posizione nella quale potrebbero rimanere impigliate o tagliarsi. Non toccare mai le lame né eseguire la manutenzione del prodotto con il cavo della candela collegato.

⚠ AVVERTENZA

Evitare che sostanze come sostanze per freni, benzina, prodotti a base di petrolio, oli penetranti, ecc. entrino in contatto con parti in plastica. Agenti chimici potranno danneggiare, indebolire o distruggere la plastica il che potrà causare gravi lesioni a persone.

⚠ AVVERTENZA

Non tentare di modificare questo utensile o di creare accessori non raccomandati per l'utilizzo con questo prodotto. Tali modifiche equivalgono a un utilizzo non consentito e possono causare situazioni pericolose in grado di provocare gravi lesioni fisiche.

- L'operatore potrà fare le regolazioni e riparazioni descritte nel presente manuale. Per ulteriori riparazioni, contattare il centro servizi autorizzato.
- Le conseguenze di una manutenzione scorretta comprendono depositi in eccesso di carbonio risutanti dalla perdita di prestazione e dallo scarico di residuo oleoso nero che scola dal silenziatore.
- Dopo ogni utilizzo, pulire il corpo dell'utensile e le impugnature del prodotto con un panno asciutto morbido.
- Dopo ogni utilizzo, rimuovere gli scarti dalle lame con una spazzola rigida, e quindi applicare attentamente un lubrificante per prevenire la ruggine prima di reinstallare il proteggi lame. La ditta produttrice raccomanda di utilizzare uno spray lubrificante e preventivo della ruggine da applicare in maniera equa e ridurre il rischio di lesioni personali dal contatto con le lame. Per informazioni su un prodotto spray adatto, controllare con il proprio centro servizi autorizzato.
- Si potrà voler lubrificare le lame leggermente prima dell'utilizzo se necessario, utilizzando il metodo di cui sopra.
- Controllare frequentemente dadi, bulloni e viti, verificando che siano stati assicurati correttamente per fare in modo che il prodotto garantisca condizioni di lavoro ottimali. Riparare eventuali parti danneggiate o farle sostituire da un centro servizi autorizzato.

SOSTITUZIONE DELLE LAME

- Controllare le lame per identificare se danneggiate o consumate. Nel caso in cui si danneggino, le lame devono essere adeguatamente riparate o sostituite da un centro assistenza autorizzato.





RIMOZIONE DI UN BLOCCO

- Arrestare il motore e attendere che tutte le parti in movimento si fermino.
- Scollegare il cavo della candela.
- Le lame sono affilate. Quando si lavora vicino alle lame, indossare guanti per impieghi gravosi.
- Togliere con attenzione dalle lame o dalle altre parti in movimento i detriti o qualsiasi cosa ne blocchi il funzionamento.

RISCHI RESIDUI

Anche quando il prodotto viene utilizzato come indicato, è impossibile eliminare completamente alcuni fattori di rischio residuo. Si potranno verificare i seguenti rischi durante l'utilizzo e l'operatore dovrà prestare attenzione speciale per evitare quanto segue:

- Lesioni causate dal contatto con i dispositivi di taglio
 - Assicurarsi che i proteggi lama siano installati quando il prodotto non è utilizzato. Tenere sempre mani e piedi lontani dalle lame.
- Lesioni causate da vibrazioni.
 - Utilizzare sempre l'utensile adatto per svolgere il lavoro, utilizzare i manici appositi e limitare le ore di lavoro e l'esposizione. Consultare la sezione "Riduzione del rischio" del presente manuale.
- Danni causati all'udito dall'esposizione al rumore.
 - Indossare cuffie di protezione e limitare l'esposizione.
- Lesioni agli occhi causate da detriti scagliati dall'utensile.
 - Indossare sempre protezioni per gli occhi.
- Lesioni causate da oggetti in caduta.
 - Nel caso in cui si sia lavorando in un'area dove vi sia rischio di caduta di oggetti, indossare sempre una protezione per la testa.

RIDUZIONE DEL RISCHIO

Si è accertato che le vibrazioni causate da utensili a mano possono contribuire a causare una condizione chiamata Sindrome di Raynaud in alcune persone. I sintomi, comprendenti formicolio, intorpidimento e perdita di colore alle dita, si verificano di solito quando ci si espone al freddo. Fattori ereditari, esposizione a freddo e umidità, una dieta scorretta, fumo e condizioni di lavoro non sicure potranno contribuire allo sviluppo di questi sintomi. È possibile prendere delle precauzioni per ridurre le vibrazioni:

- Tenere il corpo al caldo a basse temperature. Quando si utilizza il prodotto indossare guanti per tenere le mani e i polsi caldi. Le basse temperature contribuiscono a causare la Sindrome di Raynaud.
- Dopo aver utilizzato l'utensile per un certo periodo, fare degli esercizi per stimolare la circolazione del sangue.
- Fare spesso delle pause. Limitare la quantità di esposizione giornaliera.

Nel caso in cui si provino i sintomi di questa condizione, interrompere immediatamente l'utilizzo dell'utensile e consultare un dottore.

⚠ AVVERTENZA

Il prolungato utilizzo dell'utensile potrà causare o aggravare lesioni. Quando si utilizza questo utensile per periodi di tempo prolungati, assicurarsi di fare sempre delle pause regolari.

FAMILIARIZZARE CON IL PRODOTTO

Vedere pagina 191.

1. Leva dell'aria
2. Bulbo di innesco
3. Schermo di protezione
4. Manico anteriore
5. Cappuccio isolante per candela
6. Manopola di avviamento
7. Lama
8. Coperchio filtro dell'aria
9. Pomello del coperchio collettore aria
10. Tappo carburante
11. Grilletto di blocco per la maniglia rotante
12. Leva acceleratore
13. Manico rotante.
14. Fermo del grilletto del gas.
15. Pulsante di messa in funzione
16. Copertura lame

SIMBOLI SUL PRODOTTO



Avvertenza

Per ridurre i rischi di lesioni, è indispensabile leggere attentamente e comprendere il presente manuale d'uso prima di utilizzare l'apparecchio.



Indossare cuffie di protezione



Indossare dispositivi di protezione occhi



Reggere sempre il decespugliatore con entrambe le mani durante le operazioni.



Indossare guanti anti-scivolo da lavoro.



Per prevenire gravi lesioni, non toccare le lame di taglio.



Fare attenzione ad oggetti scagliati o lanciati dall'utensile. Tenere lontani tutti gli osservatori, soprattutto bambini e animali, ad almeno 15 m dalla zona di funzionamento.





Utilizzare benzina senza piombo per autoveicoli con numero di ottano almeno pari a 91 ((R+M)/2).



Utilizzare un olio di sintesi per 2 tempi per motori con raffreddamento ad aria.



Prima di effettuare il rifornimento, mescolare bene il carburante e il lubrificante per motori a due tempi.



Per ridurre il rischio di lesioni o danni, evitare il contatto con superfici surriscaldatesi.



Premere la pompetta 10 volte.



Posizionare la leva dell'aria sulla posizione "FULL" (Pieno).



Posizionare la leva dell'aria sulla posizione "CHOKE".



Posizionare la leva dell'aria su "RUN" (Avvio).



Lasciare che il prodotto funzioni al minimo per 10 secondi.



Tirare la leva di avvio fino a che non si avvia il motore.



Per avviare un motore freddo



Per avviare un motore caldo



Per ruotare la maniglia rotante, tirare il grilletto di blocco della rotazione della maniglia. Ruotare la maniglia verso destra o verso sinistra e rilasciare il grilletto di blocco della rotazione della maniglia. Continuare a ruotare la maniglia rotante fino a quando non si blocca nella posizione a 45° o a 90°.



Premere il dispositivo di blocco del grilletto e il grilletto della valvola farfalla.



Impostare l'interruttore sulla posizione "I" prima di avviare l'unità.



Questo apparecchio è conforme a tutte le norme vigenti nel paese dell'UE in cui è stato acquistato.



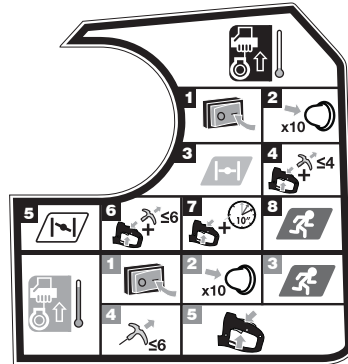
Marchio di conformità EurAsian



Marchio di conformità ucraino



Il livello di potenza sonora garantito è 105 dB






NOTA: Posizionare il decespugliatore su una superficie piatta e assicurarsi che non vi siano oggetti od altro tipo di materiali ad ostrire l'utensile nelle vicinanze che potranno entrare in contatto con le lame.

Per avviare un motore freddo:

1. Premere l'interruttore di accensione sulla posizione "I".
2. Premere la pompetta 10 volte.


NOTA: Dopo aver premuto per 7 volte, il carburante dovrebbe diventare visibile nella pompetta. In caso contrario, continuare a premere fino a che il carburante non sia visibile.

3. Mettere la leva di avviamento in posizione .
4. Premere il dispositivo di blocco del grilletto e il grilletto della valvola farfalla. Tirare la leva di avvio fino a che il motore non si avvia. Non tirare la leva di avvio per più di 4 volte.
5. Mettere la leva di avviamento in posizione .
6. Premere il dispositivo di blocco del grilletto e il grilletto della valvola farfalla. Tirare la leva di avvio fino a che non si avvia il motore. Non tirare la leva di avvio per più di 6 volte.
7. Premere il dispositivo di blocco del grilletto e il grilletto della valvola farfalla. Lasciare che il prodotto funzioni al minimo per 10 secondi.
8. Mettere la leva di avviamento in posizione .

Per avviare un motore caldo:

1. Premere l'interruttore di accensione sulla posizione "I".
2. Premere la pompetta 10 volte.

NOTA: Dopo aver premuto per 7 volte, il carburante dovrebbe diventare visibile nella pompetta. In caso contrario, continuare a premere fino a che il carburante non sia visibile.

3. Mettere la leva di avviamento in posizione .
4. Afferrare con la sinistra la maniglia rotante e comprimere saldamente la valvola a farfalla e il blocco della valvola a farfalla sulla maniglia. Tirare la leva di avvio fino a che non si avvia il motore. Non tirare la leva di avvio per più di 6 volte.
5. Premere il dispositivo di blocco del grilletto e il grilletto della valvola farfalla.

SIMBOLI NEL PRESENTE MANUALE



Parti o accessori venduti separatamente



Nota



Avvertenze



Non fumare mentre si miscela carburante o si riempie il serbatoio di carburante.



Rischio di incendio.



Per arrestare l'utensile, premere e tenere premuto l'interruttore I/O posizionandolo su "O".

I seguenti simboli indicano i livelli di rischio associati a questo prodotto.

PERICOLO

Indica una situazione pericolosa che, se non evitata attentamente, potrà causare gravi lesioni alla persona o morte.

AVVERTENZA

Indica una situazione potenzialmente pericolosa che, se non evitata attentamente, potrà causare gravi lesioni alla persona o morte.

ATTENZIONE

Indica una situazione potenzialmente pericolosa che, se non evitata attentamente, potrà causare lesioni minori o moderate alla persona.

ATTENZIONE

Senza simbolo di allerta di sicurezza

Indica una situazione che potrà risultare in gravi danni a cose.

PROGRAMMA DI MANUTENZIONE

	Prima di ogni utilizzo B	Dopo il primo mese o 20 ore di funzionamento	Ogni 3 mesi o 50 ore di funzionamento	Ogni 6 mesi o 100 ore di funzionamento	Ogni anno o dopo 300 ore di funzionamento
Controllare il lubrificante del motore	■				
Sostituire il lubrificante del motore.		■		■	
Controllare il filtro dell'aria	■				
Pulire il filtro dell'aria.			■		
Cambiare il filtro dell'aria					■
Controllare/regolare le candele				■	
Sostituzione filtro carburante					■
Controllare/regolare il minimo					■
Pulire la griglia parascintille.			■		
Sostituire con un nuovo scaricatore della candela.					■
Controllare/regolare il gioco delle valvole ¹					■
Pulire il serbatoio e il filtro del carburante ¹				■	
Controllare il tubo del carburante	■				
Ispezionare il filtro del carburante	■				
Sostituzione filtro carburante					■
Controllare tutti i raccordi dei tubi	■				
Ispezionare lo sfiato vapori (se presente) del serbatoio del carburante	■				
Ispezionare il filtro a carbone (solo modelli con carburatore)	■				



1. Queste operazioni devono essere svolte solo da un centro assistenza autorizzato.

NOTE:

- La manutenzione deve essere effettuata più frequentemente quando il prodotto è utilizzato in ambienti polverosi.
- Se il prodotto ha superato i valori massimi indicati in tabella, la manutenzione deve ugualmente essere eseguita secondo gli intervalli di tempo o le ore ivi indicate.



RISOLUZIONE DEI PROBLEMI

PROBLEMA	Causa	SOLUZIONE
Il motore non parte.	Manca la candela.	Controllare la presenza di scintille. Togliere la candela. Riapplicare la pipa e appoggiare la candela sul cilindro metallico. Tirare la cordina di avviamento e osservare la comparsa di scintille sulla punta. Se le scintille sono assenti, ripetere la prova con una candela nuova.
	Assenza di combustibile	Premere il bulbo primer fino a quando non si riempie di carburante. Se il bulbo non si riempie, è bloccato il sistema primario di fornitura del combustibile. Contattare un rivenditore autorizzato. Se il bulbo primer si riempie, il motore potrebbe essere ingolfato, passare al punto successivo.
	Motore sommerso.	Tirare la maniglia di avviamento 3 volte con la leva di avviamento in posizione  . Se il motore non parte, mettere la leva di avviamento in posizione completamente aperta  e ripetere la normale procedura di avviamento. Se il motore comunque non si avvia, ripetere la procedura con una candela nuova.
	Il cordino di avviamento è difficile da tirare.	Contattare un rivenditore autorizzato.
Il motore si avvia ma non accelera.	Sono necessari circa tre minuti per il riscaldamento del motore.	Lasciare che il motore si riscaldi bene. Se dopo tre minuti il motore non accelera, contattare il servizio di assistenza.
Il motore parte ma funziona sola ad alta velocità con la leva dello starter in posizione intermedia.	Il carburatore deve essere regolato.	Contattare un rivenditore autorizzato.
Il motore non raggiunge la velocità massima e/o emette una quantità eccessiva di fumo.	Controllare la miscela di olio e carburante.	Utilizzare carburante fresco e una miscela in rapporto corretto con l'olio per motori a 2 tempi.
	Il filtro dell'aria è sporco.	Pulire il filtro dell'aria. Consultare la sezione "Manutenzione – Pulizia del Filtro dell'Aria" più avanti in questo manuale.
	La griglia parascintille è sporca.	Contattare un rivenditore autorizzato.
Il motore si mette in moto, funziona e accelera ma non va al minimo.	La vite di regolazione del minimo sul carburatore richiede la regolazione.	Contattare un rivenditore autorizzato.



Veiligheid, prestaties en betrouwbaarheid hebben bij het ontwerp van uw benzine-heggenschaar altijd de hoogste prioriteit gekregen.

VOORGESCHREVEN GEBRUIK

Deze benzine-heggenschaar mag uitsluitend worden gebruikt door volwassenen die de instructies en waarschuwingen in deze handleiding hebben gelezen en die verantwoordelijk kunnen worden gehouden voor hun acties.

Het product is uitsluitend bedoeld voor gebruik buitenshuis in een goed geventileerd gebied. Omwille van veiligheidsredenen moet het product correct worden bediend door steeds twee handen te gebruiken.

Het product is geschikt voor huishoudelijk gebruik. Het product is bedoeld voor het knippen en snijden van heggen, struiken en vergelijkbare begroeiing met takjes en twijgen die minder dan 28 mm dik zijn. Het moet worden gebruikt in droge, goed verlichte omstandigheden.

Het is NIET bedoeld om gras, bomen of takken te snijden. Het mag niet worden gebruikt voor enig ander doel dan het snoeien van heggen.

⚠ WAARSCHUWING

Gebruik dit apparaat niet voordat u deze handleiding geheel gelezen en begrepen hebt. Bewaar deze gebruikershandleiding zorgvuldig en sla dit document regelmatig op om het gereedschap onder gehele veilige omstandigheden te kunnen blijven gebruiken en om eventuele andere gebruikers te informeren.

Bewaar deze instructies.

ALGEMENE VEILIGHEIDSWAARSCHUWINGEN

⚠ WAARSCHUWING

Lees alle veiligheidswaarschuwingen en instructies. Wanneer u de waarschuwingen en instructies niet opvolgt, kan dit leiden tot brand en/of ernstige verwondingen. Bewaar deze waarschuwingen en voorschriften zorgvuldig om ze ook later te kunnen inzien.

VOORBEREIDING

⚠ WAARSCHUWING

Deze machine kan ernstige verwondingen veroorzaken. Lees zorgvuldig de instructies voor een correcte behandeling, voorbereiding, onderhoud, starten en stoppen van de machine. Wees vertrouwd met alle bedieningen en het correct gebruik van het product.

- Laat kinderen of niet-opgeleide personen dit product niet gebruiken.
- wees voorzichtig voor overhangende elektrische leidingen

- Houd alle omstaanders, kinderen en huisdieren op een afstand van tenminste 15 m. Gebruik de machine nooit wanneer zich mensen, in het bijzonder kinderen, en dieren in de buurt bevinden.
- Draag geen wijde kleding, dassen of sieraden die klem kunnen raken en u naar de bewegende delen toe kunnen trekken. Draag geen loszittende kleding of sieraden; ze kunnen verstrikt raken in bewegende onderdelen.

⚠ WAARSCHUWING

Het gebruik van gereedschap kan ertoe leiden dat vreemde voorwerpen in de ogen terecht komen wat kan leiden tot ernstige oogschade. Vóórdat het product wordt ingeschakeld, moet altijd een veiligheidsbril of veiligheidsbril met zijbescherming en, indien nodig, volledige gezichtsbescherming worden opgezet. Wij raden breedzichtsveiligheidsmaskers aan voor gebruik op een bril of een normale veiligheidsbril met zijdelingse bescherming.

- Gebruik het product niet als u blootsvoets bent, of als u sandalen of vergelijkbaar licht schoeisel draagt. Draag anti-slip, beschermend schoeisel dat uw voeten beschermt en waardoor u steviger staat op een gladde ondergrond.

⚠ WAARSCHUWING

Wees uiterst voorzichtig bij het hanteren van brandstof. Benzine is brandbaar en de dampen zijn giftig en explosief.

- Gebruik alleen brandstoftanks die zijn goedgekeurd voor benzine.
- Vul brandstof bij alvorens de motor te starten. Haal nooit de dop van de brandstoftank af en vul geen brandstof bij als de motor draait of als de motor heet is.
- Niet roken.
- Brandstof bijvullen moet altijd buiten plaatsvinden. Vul brandstof nooit bij in een afgesloten of slecht geventileerde ruimte. Houd het product uit de buurt van ontstekingsbronnen, vonken en open vuur.
- Sla het product als er brandstof in de brandstoftank zit nooit op in een gebouw met ontstekingsbronnen, zoals heet water en verwarmers, wasdrogers, en dergelijke.
- Veeg gemorste brandstof van het apparaat. Ga op 9 m (30 voet) afstand van de brandstofvulplaats staan voor u de motor start.
- Plaats alle brandstoftank- en verpakkingdoppen stevig terug.
- Als de brandstoftank wordt gedraineerd, moet dit buitenshuis gebeuren.
- Als het zaagmechanisme een vreemd voorwerp raakt of als de machine een ongewoon geluid of trilling begint te maken, legt u de aandrijfbrom stil en laat u de machine stilvallen. Ontkoppel de bougiekabel van de bougie en onderneem de volgende stappen:
 - controleer op schade

- controleer op loszittende onderdelen en vervang ze indien nodig.

Laat beschadigde onderdelen vervangen door of herstellen met behulp van onderdelen met dezelfde specificaties.

⚠ WAARSCHUWING

Dit product is luidruchtig tijdens het gebruik. Om de kans op gehoorbeschadiging op de lange termijn te voorkomen, dient u gehoorbescherming te dragen.

⚠ WAARSCHUWING

Draag altijd een veiligheidsbril of een beschermbril met zijschotjes wanneer u met dit gereedschap werkt. Er kunnen wegsplattende deeltjes in uw ogen komen en ernstig oogletsel veroorzaken als u zich hier niet aan houdt.

- De motor stoppen in een noodsituatie: Druk de aan/uitschakelaar in de stand uit (O).

BEDIENING

- Zet altijd eerst de motor uit, koppel de bougie op los van de bougie, laat hem afkoelen en zorg ervoor dat alle bewegende delen volledig tot stilstand zijn gekomen, alvorens:
 - Bijtanken
 - aanpassen van de werkpositie of de positie van het achterste handvat
 - het product onbeheerd achterlaten
 - het product reinigen
 - de accessoires te verwisselen
 - verwijderen van blokkades
 - controleer op schade nadat u een voorwerp hebt geraakt
 - controleer op schade als het product abnormaal begint te trillen
 - onderhoud uitvoeren
- Start de motor uitsluitend als de heggenschaar in een veilige werkpositie staat. De fabrikant adviseert het product op de grond te plaatsen, zodanig dat de messen nergens mee in contact zijn, voordat u de motor start.
- Bij het gebruik van de heggenschaar mag u zich niet overstreken of gaan staan op een onstabiele ondersteuning. Ga altijd stevig op uw benen staan en reik niet te ver weg met uw arm. De fabrikant raadt het gebruik van een ladder niet aan. Gebruik een verlengaccessoire voor hoger trimwerk.
- Bedien de machine niet met een beschadigd of uiterst versleten maai-apparaat.
- Om brandgevaar te verminderen, de motor en geluiddemper vrij houden van afval, bladeren en overmatig smeermiddel.
- Zorg er altijd voor dat alle handvatten en beschermers zijn gemonteerd wanneer u de machine gebruikt. Probeer nooit gebruik te maken van een onvolledig product of een product dat is uitgerust met ongeautoriseerde aanpassingen.

- Gebruik altijd beide handen om de machine te bedienen en die is uitgerust met twee handvatten.
- Maak u vertrouwd met de omgeving en wees alert voor mogelijke gevaren die u misschien niet opmerkt omwille van het lawaai van de machine.

BIJKOMENDE WAARSCHUWING

- Gebruik de motor niet in een kleine ruimte waar zich gevaarlijke koolmonoxidedampen kunnen verzamelen. Koolmonoxide is een kleurloos, geurloos en bijzonder gevaarlijk gas dat bewusteloosheid of de dood kan veroorzaken.
- Gebruik het product niet wanneer u moe, ziek of onder de invloed bent van alcohol, drugs of medicijnen.
- Controleer voor elk gebruik of alle bedieningsknoppen en veiligheidsinrichtingen goed functioneren. Gebruik het product niet als de "uit"-knop de motor niet stillegt. Laat een defecte drukknop vervangen in een erkend Ryobi servicecentrum.
- Controleer de machine voor elk gebruik. Controleer op losse bevestigingsonderdelen, brandstoflekage, enz. Schakel het product niet in als er brandstof lekt of als de handvatten en beschermers niet stevig vastzitten of slecht functioneren.
- Maak lang haar vast boven schouderhoogte om te voorkomen dat het verstrikt raakt in de bewegende delen.
- Gebruik dit apparaat niet op plekken waar u niet goed kunt zien. De gebruiker heeft een duidelijk overzicht nodig van het werkgebied om mogelijke gevaren te identificeren.
- Maak voor elk gebruik de werkplek vrij. Haal alle vreemde objecten weg die de bewegende delen of snijdelen kunnen beschadigen of er verstrikt in kunnen raken, zoals paaltjes, draad en touw.
- Controleer voortdurend of er zich geen personen of dieren achter of in de haag of struik bevinden die u wilt trimmen. Het gebruik van gelijksoortige apparaten in de nabijheid verhoogt het risico van letsel en de mogelijkheid dat er andere mensen in uw werkgebied komen.
- Controleer regelmatig of alle moeren, bouten en vijzen goed zijn vastgemaakt om zeker te zijn dat het product veilig kan worden gebruikt. Een beschadigd onderdeel moet door een geautoriseerd onderhoudscentrum goed worden gerepareerd of vervangen.

⚠ WAARSCHUWING

Als de gastrigger wordt losgelaten en de motor in neutraal loopt, mag het snijaccessoire of blad niet bewegen. Indien het blijft bewegen, bestaat er een risico van ernstig letsel voor de gebruiker. Het apparaat niet gebruiken. Retourneer het naar een erkend onderhoudscentrum voor een professionele afstelling.

- Raak de omgeving rond de geluiddemper of motor niet aan; deze onderdelen worden tijdens de werking warm.
- Wijzig het product op geen enkele manier.
- Forceer de heggenschaar niet door dicht struikgewas.

EN
FR
DE
ES
IT
NL

PT
DA
SV
FI
NO
RU
PL
CS
HU
RO
LV
LT
ET
HR
SL
SK
BG
UK
TR

Dit kan ervoor zorgen dat het snijblad vast raakt en vertraagt. Als de snijbladen vertragen, vermindert u het tempo.

- Probeer geen twijgen of takken te snoeien die dikker zijn dan 28 mm of die te groot zijn voor het snijblad. Gebruik een handzaag of snoeizaag om grote stammen te snoeien.
- Zorg ervoor dat u een draaiende of hete motor en demper goed uit de buurt houdt van brandbare materialen, om het risico op brand te beperken.

TRANSPORT EN OPSLAG

- Leg de machine stil en laat afkoelen voor opslag of transport
- Verwijder alle vreemde voorwerpen van het product.
- Dek het mes af met de mesbeschermer (schede).
- Tap alle brandstof uit de tank af in een container die goedgekeurd is voor benzine. Vergeet niet om de brandstofop te plaatsen en aan te draaien.
- Laat de motor draaien tot deze stopt. Dit verwijdert alle brandstof die oud kon worden en vernis en gom in het brandstofsysteem kon achterlaten.
- Bewaar het product op een koele, droge en goed-geventileerde plek die niet toegankelijk is voor kinderen en ver uit de buurt van ontstekingsbronnen.
- Houd corrosieve producten, zoals tuinchemicaliën en strooizout uit de buurt van het apparaat.
- Bewaar niet buitenshuis.
- Voor transport beveilig u het product tegen bewegen of vallen om lichamelijke letsels of schade aan het product te voorkomen.
- Draag of transporteer het product nooit terwijl de motor draait.
- Neem alle landelijke en regionale voorschriften voor de veilige opslag van en omgang met benzine in acht.

Kortdurende opslag (korter dan 1 maand)

- Stop de motor en laat het afkoelen alvorens u het opbergt.
- Dek het mes af met de mesbeschermer (schede).
- Bewaar het product op een koele, droge en goed-geventileerde plek die niet toegankelijk is voor kinderen en ver uit de buurt van ontstekingsbronnen.
- Houd corrosieve producten, zoals tuinchemicaliën en strooizout uit de buurt van het apparaat.
- Bewaar niet buitenshuis.

ONDERHOUD

⚠ WAARSCHUWING

Het onderhoud vereist extreme voorzichtigheid en deskundigheid en mag enkel door een gekwalificeerde onderhoudstechnicus worden uitgevoerd. Wij raden u aan het toestel voor herstellingen naar uw dichtstbijzijnde erkende onderhoudsdienst terug te brengen. Gebruik voor het onderhoud alleen identieke vervangingsonderdelen.

⚠ WAARSCHUWING

zaagbladen zijn scherp. Draag zware antislip beschermhandschoenen als u het zaagblad hanteert. Plaats uw hand of vingers niet tussen de snijbladen of in een positie waar ze gekneld kunnen raken of snijwonden kunnen oplopen. Raak nooit de messen aan, en voer nooit onderhoudswerkzaamheden uit op het product als de bougiekabel is aangesloten.

⚠ WAARSCHUWING

Laat op geen elk moment remvloeistoffen, benzine, producten op petroleumbasis, penetrerende oliën, etc. in contact komen met kunststof onderdelen. Chemische stoffen kunnen kunststof beschadigen, verzwakken of vernietigen, wat kan leiden tot ernstige verwondingen.

⚠ WAARSCHUWING

Probeer het toestel niet aan te passen of toebehoren te creëren waarvan het gebruik in combinatie met dit toestel niet is aangewezen. Een dergelijke aanpassing of wijziging wordt als misbruik beschouwd en kan leiden tot gevaarlijke situaties die ernstige verwondingen kunnen veroorzaken.

- U kunt de afstellingen en reparaties die in deze gebruiksaanwijzing worden vermeld, uitvoeren. Voor andere herstellingen, neemt u contact op met uw geautoriseerd onderhoudsagent.
- De gevolgen van slecht onderhoud zijn mogelijk overmatige koolstofafzetting, wat leidt tot vermogensverlies en de uitstoot van zwart, olieachtig residu dat uit de geluiddemper druppelt.
- Reinig na elk gebruik het lichaam en de handvaten van het product met een zachte doek.
- Verwijder na elk gebruik het afval van de bladen met een stijve borstel en breng dan voorzichtig een tegen roest beschermend smeermiddel aan voordat u de bladbescherming weer terugplaatst. De fabrikant raadt aan om een tegen roest beschermende smeerspray te gebruiken om een gelijkmatige laag aan te brengen en om persoonlijk letsel te voorkomen door contact met de bladen. Ga voor informatie over een geschikte spray naar uw plaatselijke bevoegde onderhoudscentrum.
- U kunt zo nodig de bladen licht smeren voor elk gebruik door de bovenstaande methode te gebruiken.
- Controleer regelmatig of alle moeren, bouten en vijzen goed zijn vastgemaakt om zeker te zijn dat het product veilig kan worden gebruikt. Een beschadigd onderdeel moet door een geautoriseerd onderhoudscentrum goed worden gerepareerd of vervangen.

DE MESSEN VERVANGEN

- Controleer de snijbladen regelmatig op schade en slijtage. Als er messen zijn beschadigd, dienen deze door een bevoegd reparatiecentrum onmiddellijk te worden gerepareerd of vervangen.



VERSTOPPING VRIJMAKEN

- Stop de motor en wacht tot alle bewegende delen tot stilstand zijn gekomen.
- Ontkoppel de bougiekabel.
- De zaagbladen zijn scherp. Draag stevige werkhandschoenen als u in de buurt van de messen werkt.
- Haal de verstopping of de verontreinigingen rondom de messen of andere bewegende delen voorzichtig weg.

RESTRISICO'S

Zelfs wanneer het product zoals voorgeschreven wordt gebruikt, is het nog steeds onmogelijk om bepaalde restrisico's volledig te elimineren. De volgende gevaren kunnen zich voordoen tijdens het gebruik en de gebruiker dient in het bijzonder aandacht te hebben om de volgende situaties te vermijden:

- Letsels veroorzaakt door contact met het snijmechanisme.
 - Zorg ervoor dat de mesbeschermers zijn geplaatst wanneer het product niet in gebruik is. Houd handen en voeten steeds weg van de zaagbladen.
- Letsels veroorzaakt door trillingen.
 - Gebruik altijd het juiste gereedschap voor de taak, gebruik de toegewezen handvaten en beperk de gebruikstijd en blootstelling. Raadpleeg het hoofdstuk "Risico's vermijden" in de handleiding.
- Gehoorschade veroorzaakt door blootstelling aan geluid.
 - Draag gehoorbescherming en beperk de blootstelling.
- Gezichtsletsels door rondvliegend afval.
 - Draag altijd gezichtsbescherming.
- Letsel veroorzaakt door vallende objecten.
 - Als u op een plaats werkt waar het risico bestaat op vallende voorwerpen moet een veiligheidshelm worden gedragen.

RISICOBEPERKING

Er zijn meldingen dat trillingen van handwerktuigen bij sommige mensen bijdragen tot het Syndroom van Raynaud. Symptomen kunnen ondermeer tintelingen, gevoelloosheid en bleek worden van de vingers omvatten, wat normaal gezien duidelijk wordt bij blootstelling aan koude. Erfelijke factoren, blootstelling aan koude en vocht, dieet, roken en werkroutine kunnen allemaal bijdragen tot de ontwikkeling van deze symptomen. Er kunnen door de bediener maatregelen worden genomen om de gevolgen van de trillingen te beperken:

- Houd bij koud weer uw lichaam warm. Draag handschoenen terwijl u het product gebruikt om de handen en polsen warm te houden. Men neemt aan dat koud weer een belangrijke factor is die bijdraagt tot het Syndroom van Raynaud.
- Doe oefeningen om de bloeddoorstroming te bevorderen na elke periode van gebruik.
- Neem regelmatig een pauze. Beperk het aantal uren dat u per dag wordt blootgesteld.

Wanneer u enige van de symptomen van deze aandoening ervaart, stop dan onmiddellijk met het gebruik van het toestel en raadpleeg uw dokter

⚠ WAARSCHUWING

Letsels kunnen worden veroorzaakt of ernstiger worden door verlengd gebruik van een werktuig. Als u een werktuig gedurende langere periodes gebruikt, neem dan regelmatig pauze.

KEN UW PRODUCT

Zie pagina 191.

1. Schuif van de choke
2. Brandstofbalg
3. Afscherming
4. Voorste handvat
5. Bougiesteker
6. Starthandgreep
7. Zaagblad
8. Luchtfilterdeksel
9. Knop van het luchtkastdeksel
10. Brandstofdop
11. Vergrendel trekker voor roterende hendel
12. Gashendel
13. Draaiend handvat
14. Gashendelvergrendeling
15. Drukknop aan
16. Zaagschede

SYMBOLEN OP HET PRODUCT



Waarschuwing



Om gevaar voor lichamelijk letsel te verminderen dient u deze gebruikshandleiding absoluut goed door te lezen en te begrijpen voordat u het apparaat gaat gebruiken.



Draag gehoorbescherming



Draag gezichtsbescherming



Houd de heggenschaar altijd met beide handen vast tijdens het gebruik.



Draag zware, antislip handschoenen.



Om ernstige letsels te voorkomen, raakt u de zaagbladen niet aan.





Houd rekening met weggeslingerde of rondvliegende voorwerpen. Houd alle omstanders, in het bijzonder kinderen en huisdieren, op tenminste 15m afstand van het werkgebied.



Gebruik loodvrije autobenzine met een octaan gehalte van 91 ((R+M)/2) of hoger.



Gebruik synthetische tweetaktolie voor luchtgekoelde motoren.



Meng de brandstof en de 2-takt smeerolie zorgvuldig voordat u bijvult.



Om het risico op verwondingen of schade te beperken, vermijdt u contact met een warm oppervlak.



Druk 10 keer op de brandstofbalg.



Zet de chokehendel in de chokestand "FULL".



Zet de chokehendel in de chokestand "HALF".



Zet de chokehendel in de stand "RUN".



Laat het product altijd 10 seconden stationair draaien.



Trek aan de startkoord tot de motor start.



Een koude motor starten



Een warme motor starten



Trek aan de activatiegrendel van de draaihendel om deze te roteren. Draai de hendel naar rechts of links en laat dan de activatiegrendel van de draaihendel los. Draai de draaihendel tot deze in een hoek van 45° of 90° wordt vergrendeld.



Druk op de snelheidsvergrendeling en de snelheidshendel.



Zet de schakelaar in de stand "I" voor u probeert de machine te starten.



Dit apparaat voldoet aan alle geldende normen van Lid-Staat van de Europese Unie waar het werd gekocht.



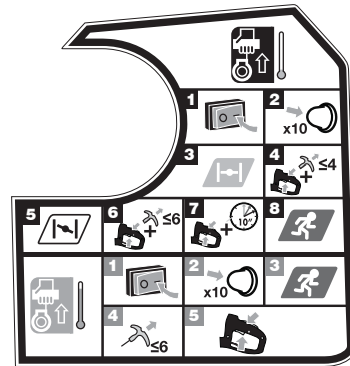
EurAsian-symbool van overeenstemming



Oekraïens conformiteitssymbool



Het gegarandeerde geluidsniveau bedraagt 105 dB.



OPMERKING: Plaats de heggenschaar op een vlak oppervlak en zorg ervoor dat er geen enkel voorwerp of geen enkele obstructie in de buurt is dat in contact kan komen met de snijbladen.

Koude motor starten:

1. Zet de aan/uit-schakelaar in de stand "I".
2. Druk 10 keer op de brandstofbalg.

OPMERKING: Na de 7e keer drukken, moet de brandstof in de brandstofbalg zichtbaar zijn. Indien niet, blijft u drukken tot de brandstof zichtbaar is.

3. Plaats de chokehendel in de stand .
4. Druk op de snelheidsvergrendeling en de snelheidshendel. Trek aan de startkoord tot de motor start. Trek niet meer dan 4 keer aan de startkoord.
5. Plaats de chokehendel in de stand .
6. Druk op de snelheidsvergrendeling en de snelheidshendel. Trek aan de startkoord tot de motor start. Trek niet meer dan 6 keer aan de startkoord.
7. Druk op de snelheidsvergrendeling en de snelheidshendel. Laat het product altijd 10 seconden stationair draaien.
8. Plaats de chokehendel in de stand .

Warme motor starten:

1. Zet de aan/uit-schakelaar in de stand "I".
2. Druk 10 keer op de brandstofbalg.

OPMERKING: Na de 7e keer drukken, moet de brandstof in de brandstofbalg zichtbaar zijn. Indien niet, blijft u drukken tot de brandstof zichtbaar is.

3. Plaats de chokehendel in de stand .
4. Pak de draaihendel, gashendel, en vergrendeling van de gashendel vast en knijp stevig aan met uw linkerhand. Trek aan de startkoord tot de motor start. Trek niet meer dan 6 keer aan de startkoord.
5. Druk op de snelheidsvergrendeling en de snelheidshendel.

SYMBOLEN IN DEZE GEBRUIKSAANWIJZING



Onderdelen of accessoires afzonderlijk verkocht



Opmerking



Waarschuwing



Verboden te roken wanneer u de brandstoftank vult of brandstof mengt.



Brandgevaar.



Om te stoppen de I/O-schakelaar indrukken en vasthouden totdat de stand 'O' wordt bereikt.

De volgende kernwoorden en verklaringen zijn bedoeld om de gevaarniveaus die op dit toestel betrekking hebben, te verklaren.

GEVAAR

Wijst op een gevaarlijke situatie die, als ze niet wordt voorkomen, dodelijk kan zijn of ernstige verwondingen kan veroorzaken.

WAARSCHUWING

Wijst op een mogelijks gevaarlijke situatie die, als ze niet wordt voorkomen, dodelijk kan zijn of ernstige verwondingen kan veroorzaken.

LET OP

Wijst op een mogelijks gevaarlijke situatie die, als ze niet wordt voorkomen, kleine of middelmatige verwondingen kan veroorzaken.

LET OP

Zonder veiligheidswaarschuwingssymbool

Wijst op een situatie die kan leiden tot materiële schade.

ONDERHOUDSSHEMA

	Voor elk gebruik	Na de eerste maand of 20 bedrijfsuren	Elke drie maanden of 50 bedrijfsuren	Elke 6 maanden of 100 bedrijfsuren	Elk jaar of na 300 bedrijfsuren
Controleer het motorsmeermiddel	■				
Ververs het motorsmeermiddel		■		■	
Controleer het luchtfilter	■				
Maak het luchtfilter schoon.			■		
Vervang het luchtfilter					■
Controleer de bougie en stel deze af				■	
Vervang brandstoffilter					■
Controleer het stationair toerental en stel dit af					■
Reinig het vonkenvangerscherm.			■		
Vervang door een nieuwe vonkenvanger.					■
Controleer de klepspel en stel deze af ¹					■
Reinig brandstoftank en filter 1				■	
Controleer de brandstofslang	■				
Inspecteer het brandstoffilter	■				
Vervang brandstoffilter					■
Controleer alle slangverbindingen	■				
Inspecteer de ontluichtopening van de brandstoftank (indien aanwezig)	■				
Inspecteer het koolstoffilter (alleen modellen met carburateur)	■				

1. Deze onderdelen mogen uitsluitend worden uitgevoerd door een erkend servicecentrum.

OPMERKINGEN:

- Als het product in stoffige gebieden wordt gebruikt moet er vaker onderhoud worden gepleegd.
- Wanneer het product de maximale cijfers uit de tabel heeft overschreden, moet onderhoud nog steeds worden uitgevoerd volgens tijdsintervallen of gebruiksuren die hierin zijn vermeld.



- EN
- FR
- DE
- ES
- IT
- NL**
- PT
- DA
- SV
- FI
- NO
- RU
- PL
- CS
- HU
- RO
- LV
- LT
- ET
- HR
- SL
- SK
- BG
- UK
- TR

PROBLEEMOPLOSSEN

PROBLEEM	Mogelijke oorzaak	OPLOSSING
Motor start niet.	Geen vonken.	Controleer of u een vonk ziet. De bougie verwijderen. Breng het kapje van de bougie weer aan en leg de bougie op een metalen cilinder. Trek aan het startkoord en kijk of u een vonk ziet bij de punt van de bougie. Als er geen vonk zichtbaar is, moet u de test met een nieuwe bougie uitvoeren.
	Geen brandstof	Druk op de pompbalg totdat deze vol zit met brandstof. Als de pompbalg niet vult is het primaire vloeistoftoevoersysteem geblokkeerd. Neem contact op met een onderhoudsdealer. Als de pompbalg vult is de motor verzopen, ga door naar het volgende artikel.
	Motor is verzopen.	Trek 3 maal aan de startgreep met de chokehendel in de stand . Als de motor niet start moet u de choke in de stand plaatsen en de normale startprocedure herhalen. Als de motor nog steeds niet start, herhaalt u de procedure met een nieuwe bougie.
	Het starttouw is moeilijk aan te trekken.	Neem contact op met een onderhoudsdealer.
De motor start wel, maar accelereert niet.	De motor heeft ongeveer drie minuten nodig om op te warmen.	Laat de motor volledig opwarmen. Neem contact op met een onderhoudsdealer indien de motor na drie minuten niet versnelt.
De motor start, maar loopt alleen bij hoge snelheid, bij halve choke.	Carburateur moet worden aangepast.	Neem contact op met een onderhoudsdealer.
Motor haalt maximum toerental niet en/of ontwikkelt zeer veel rook.	Het olie/brandstof mengsel is foutief.	Gebruik verse brandstof en de juiste tweetaktolielmengselverhouding.
	LuchtfILTER vuil.	Reinig de luchtfILTER. Wij verwijzen hierbij naar het hoofdstuk LuchtfILTER reinigen in het gedeelte Onderhoud van deze gebruiksaanwijzing.
Motor start, loopt en versnelt, maar loopt niet stationair.	Vonkenvangerscherf vuil.	Neem contact op met een onderhoudsdealer.
	De stationair toerentalschroef of de carburateur moet afgesteld worden.	Neem contact op met een onderhoudsdealer.



No design do nosso recortador de sebes a gasolina demos prioridade à segurança, ao desempenho e à fiabilidade.

USO PREVISTO

O recortador de sebes a gasolina destina-se a ser utilizada por adultos que tenham lido e compreendido as instruções e os avisos neste Manual e que possam ser considerados responsáveis pelas suas acções.

O produto apenas se destina a ser usado ao ar livre numa área bem ventilada. Por motivos de segurança, o produto tem obrigatoriamente de ser controlado adequadamente, utilizando ambas as mãos durante a operação.

O produto foi concebido para uso doméstico. Destina-se a cortar e aparar sebes, arbustos ou vegetação semelhante, com hastes ou raminhos com menos de 28 mm de espessura. Deve ser usada num local seco e bem iluminado.

NÃO se destina a cortar relva, árvores ou ramos. Não deve ser usada para qualquer outro fim que não seja aparar pontas.

⚠ ADVERTÊNCIA

Não tente utilizar esta ferramenta sem ter lido totalmente e compreendido este manual de utilização. Conserve este manual de utilização e consulte-o regularmente para trabalhar com toda a segurança e informar os outros utilizadores eventuais.

Guarde as presentes instruções.

AVISOS GERAIS DE SEGURANÇA

⚠ ADVERTÊNCIA

Leia todos os avisos de segurança e todas as instruções. O facto de não seguir os avisos e as instruções pode conduzir a fogo e/ou lesão grave. Conserve estas advertências e instruções para que possa consultá-las mais tarde.

PREPARAÇÃO

⚠ ADVERTÊNCIA

Esta máquina pode provocar graves danos. Leia as instruções atentamente para a correcta manipulação, preparação, manutenção, arranque e paragem da máquina. Familiarize-se com todos os controlos e a utilização adequada do aparelho.

- Não permita que crianças ou indivíduos inexperientes entrem em contacto com este produto.
- tenha em conta o perigo das linhas aéreas eléctricas
- As pessoas, crianças e animais deverão estar, no mínimo, a 15 metros do equipamento. Nunca coloque a máquina a funcionar quando pessoas, especialmente crianças ou animais de estimação estão por perto.
- Use roupas adequadas. Não use roupas largas nem joalheria, devido ao risco de ficarem presas em peças

móveis.

⚠ ADVERTÊNCIA

O funcionamento de qualquer ferramenta eléctrica pode fazer com que objectos estranhos sejam atirados para os seus olhos, o que pode resultar em graves lesões oculares. Antes de utilizar o produto, ponha sempre óculos fechados ou óculos de segurança com protecções laterais e, quando necessário, um escudo facial. Recomendamos a Máscara Wide Vision Safety para uso sobre os óculos graduados ou sobre os óculos de segurança padrão com protecções laterais.

- Não opere o equipamento quando estiver descalço ou se estiver a utilizar sandálias ou outro tipo semelhante de calçado ligeiro. Use calçado de protecção, anti-derrapante, que proteja os seus pés e que facilite o seu equilíbrio em superfícies escorregadias.

⚠ ADVERTÊNCIA

Tenha especial cuidado no manuseamento de combustíveis. A gasolina é inflamável e os vapores de gasolina são tóxicos e explosivos.

- Utilize apenas recipientes de combustível que sejam aprovados para gasolina.
 - Abasteça com combustível antes de dar arranque ao motor. Nunca tire o tampão do depósito de combustível nem abasteça de combustível enquanto o motor estiver a trabalhar nem quando o motor estiver quente.
 - Não fume.
 - Abasteça de combustível sempre ao ar livre. Nunca abasteça de combustível em recintos fechados nem em áreas pouco ventiladas. Mantenha-se afastado de todas as fontes de ignição, faíscas e chamas.
 - Nunca armazene o produto com combustível no depósito de combustível dentro de um edifício onde haja fontes de ignição, como por exemplo esquentadores de água e aquecedores de sala, secadores de roupa, e outros aparelhos semelhantes.
 - Limpe o combustível que tenha sido derramado no aparelho. Afaste-se 9 m (30 pés) do local de abastecimento antes de ligar o motor.
 - Volte a montar e fixe em segurança o tampão do depósito de combustível e o tampão do recipiente.
 - Se se drenar o tanque de combustível, deve fazer-se ao ar livre.
 - Se o mecanismo de corte bate rem algum objecto estranho ou se a máquina começar a fazer algum ruído ou vibração inusual, desligue a fonte de alimentação e deixe que a máquina pare. Desligue o cabo da vela da vela e siga os seguintes passos:
 - inspecionar os danos
 - verifique se há peças soltas e, se necessário, volte a montá-las.
- Em caso de peças danificadas, substitua-as ou repare-as com peças que tenham especificações equivalentes.

⚠️ ADVERTÊNCIA

Este produto produz ruído durante o funcionamento. Tem obrigatoriamente de usar protecção para os ouvidos para reduzir o risco de danos permanentes à audição.

⚠️ ADVERTÊNCIA

Use sempre óculos de segurança ou óculos de protecção munidos de resguardos laterais quando utilizar ferramentas. A falta de cumprimento desta instrução pode ocasionar a projecção de corpos estranhos para os olhos e provocar lesões oculares graves.

- Para parar o motor numa emergência: Passe o interruptor de Ligado/Desligado para a posição Desligado (OFF / O).

UTILIZAÇÃO

- Pare sempre o motor, desmonte o cachimbo do cabo de ignição da vela de ignição, deixe o motor arrefecer e certifique-se de que todas as peças móveis pararam completamente, antes de fazer as seguintes tarefas:
 - Reabastecimento de combustível
 - ajustar a posição de trabalho ou a posição da pega traseira
 - deixar o produto sem vigilância
 - limpar o produto
 - substituir os acessórios
 - desbloquear
 - comprovar se há danos depois de bater num objecto
 - comprovar se há danos caso o produto comece a vibrar de um modo anormal
 - realizar operações de manutenção
- Só ponha o motor a trabalhar quando o recortador de sebes estiver numa posição de trabalho segura. Antes de fazer pegar o motor, o fabricante recomenda que o produto esteja assente no chão, numa posição em que as lâminas não estejam em contacto com nada.
- Quando estiver a utilizar o recortador de sebes, não se estique nem se ponha em cima de suportes instáveis. Fique sempre bem apoiado nas pernas e não estique demasiado o braço. O fabricante não recomenda o uso de degraus ou escadas. É preciso cortar a partir de uma posição mais alta, utilize uma ferramenta de alcance extensível.
- Não opere a máquina com um dispositivo de corte danificado ou excessivamente desgastado.
- Para reduzir o risco de incêndio, mantenha o motor e o silenciador livre de detritos, folhas, ou lubrificante excessiva.
- Assegure-se sempre que todas as pegas e protecções se encontram instaladas na máquina. Nunca tente utilizar um produto incompleto nem um produto com uma modificação não autorizada.
- Utilize sempre ambas as mãos para fazer funcionar a máquina com as duas pegas.

- Familiarize-se com o meio que o rodeia e fique alerta para possíveis riscos que poderá não perceber por causa do ruído da máquina.

AVISO ADICIONAL

- Não opere o motor num espaço confinado onde se possam acumular as perigosas emissões de monóxido de carbono. O monóxido de carbono é um gás sem cor e sem cheiro, extremamente perigoso e que pode causar a perda de consciência ou a morte.
- Não opere este produto se estiver cansado ou sob a influência de drogas, álcool ou medicamentos.
- Certifique-se antes de cada uso que todos os controlos e dispositivos de segurança funcionam corretamente. Não utilize o aparelho se o interruptor "off" não parar o motor. Mandê substituir qualquer interruptor defeituoso num centro de serviço autorizado ryobi.
- Inspeccione a máquina antes de cada uso. Verifique os fechos soltos, as fugas de combustível, etc. Não utilize o produto de houver alguma fuga de combustível ou se as pegas e as guardas não estiverem aplicadas de forma firme e segura e completamente funcionais.
- Prenda o cabelo comprido para que fique acima do nível dos ombros para evitar que fique emaranhado em peças móveis.
- Não utilize esta ferramenta numa zona com pouca luz. O operador necessita de uma visão clara da área de trabalho para identificar potenciais perigos.
- Desimpeça a área onde pretende trabalhar antes de cada utilização. Retire todos os objectos estranhos (por exemplo, estacas, arames ou cordéis) que possam danificar ou ficar embaraçados nas peças móveis ou nos meios de corte.
- Verifique constantemente que não há pessoas ou animais atrás ou dentro de cada sebe ou arbusto que vai podar. Operar ferramentas similares nas proximidades aumenta tanto o risco de lesão auditiva e o potencial para outras pessoas entrarem na sua área de trabalho.
- Verifique todas as porcas, pregos e parafusos com intervalos frequentes para confirmar a tensão apropriada e se certificar que o produto está em condições seguras de funcionamento. Qualquer peça danificada deve ser substituída ou reparada adequadamente por um centro de serviço autorizado.

⚠️ ADVERTÊNCIA

Quando se solta o gatilho do acelerador e o motor funciona ao ralenti, a cabeça ou lâmina de corte não deve mover-se. Se continuar a mover-se, existe risco de lesões graves no operador. Não use a máquina. Entregue-o a um centro de serviço autorizado para ser ajustado por um profissional.

- Não toque na área em redor do sistema de silenciador e motor da unidade, já que estas peças aquecem durante o funcionamento.
- Não faça nenhuma modificação ao produto.
- Não force o cortador de sebes introduzindo-o em

arbustos muito pesados. Isto pode fazer com que as lâminas prendam e abrandem. Se as lâminas abrandarem, reduza o ritmo.

- Não tente cortar caules ou galhos com espessura superior a 28 mm, ou daqueles que são claramente demasiado grandes para passarem pela lâmina de corte. Use uma serra manual não motorizada ou uma serra de desbaste para aparar os caules maiores.
- Para reduzir o risco de incêndio, certifique-se de que mantém o produto bem afastado de materiais combustíveis quando o motor estiver a trabalhar ou se o motor estiver quente (incluindo a panela de escape).

TRANSPORTE E ARMAZENAMENTO

- Pare a máquina e deixe arrefecer antes de guardá-la ou transportá-la.
- Limpe todos os materiais estranhos do produto.
- Cubra a lâmina com o protector da lâmina (bainha).
- Drene totalmente o combustível do depósito para um recipiente aprovado para acondicionar gasolina. Não se esqueça de voltar a montar correctamente o tampão de combustível e de lhe dar aperto.
- Deixe o motor a trabalhar até que o mesmo páre. Isto irá esvaziar todo o combustível que poderia degradar-se quando o combustível se degrada, suja o interior do sistema de combustível com vernizes e gomas.
- Guarde o produto num local fresco, seco e bem ventilado que esteja fora do alcance de crianças e bem afastado de fontes de ignição.
- Mantenha-o afastado de substâncias corrosivas, tais como produtos químicos utilizados em jardinagem e sais de descongelação.
- Não armazenar ao ar livre.
- Para transportar, prenda o aparelho de modo a evitar que este se mova ou caia, para evitar lesões ou danos no produto.
- Não leve nem transporte o produto enquanto estiver a funcionar.
- Cumpra todos os regulamentos aplicáveis nacional e localmente ao armazenamento e ao manuseio seguros de gasolina.

Armazenamento de curta duração (menos de 1 mês)

- Antes de armazenar, desligue o motor e deixe-o arrefecer.
- Cubra a lâmina com o protector da lâmina (bainha).
- Guarde o produto num local fresco, seco e bem ventilado que esteja fora do alcance de crianças e bem afastado de fontes de ignição.
- Mantenha-o afastado de substâncias corrosivas, tais como produtos químicos utilizados em jardinagem e sais de descongelação.
- Não armazenar ao ar livre.

MANUTENÇÃO

⚠ ADVERTÊNCIA

Os serviços de manutenção requerem extremo cuidado e conhecimentos e devem apenas ser realizado por um técnico de assistência qualificado. Para assistência, sugerimos que devolva o produto ao seu centro de assistência autorizado mais próximo para reparação. Ao realizar serviços de manutenção, use apenas peças de substituição idênticas.

⚠ ADVERTÊNCIA

As lâminas são afiadas. Ao segurar o conjunto da lâmina, use luvas protetoras reforçadas anti-deslizantes. Não coloque as suas mãos ou dedos entre as lâminas nem em nenhuma posição onde possam ficar atacadados ou ser cortados. Nunca toque nas lâminas nem faça assistência ao produto com o cabo de ignição montado na vela de ignição.

⚠ ADVERTÊNCIA

Nunca, em qualquer momento, deixe que fluidos de travagem, gasolina, produtos petrolíferos, óleos de perfuração, etc., entrem em contacto com as peças de plástico. Os químicos podem danificar, enfraquecer ou destruir o plástico, o que pode resultar em lesões graves.

⚠ ADVERTÊNCIA

Não tente modificar este produto ou criar acessórios não recomendados para o uso com este produto. Quaisquer destas alterações ou modificações representam um uso indevido e pode resultar em condições perigosas ocasionando eventuais ferimentos graves pessoais.

- Pode realizar os ajustes e reparações descritos neste manual do utilizador. Para outro tipo de reparações entre em contacto com um agente de serviço autorizado.
- As consequências de uma manutenção imprópria podem incluir o excesso de depósitos de carbono que resultam em perda de desempenho e descarga de resíduo oleoso negro do silenciador.
- Após cada utilização, limpe a estrutura e as pegas do aparelho com um pano seco e macio.
- Após cada utilização, limpe os detritos das lâminas com uma escova dura e, em seguida, aplique cuidadosamente um lubrificante que previne a ferrugem antes de voltar a colocar o protetor de lâmina. O fabricante recomenda-lhe que utilize um pulverizador lubrificante e preventivo contra ferrugem a aplicar numa distribuição uniforme e reduzir assim o risco de lesões do contacto com as lâminas. Para mais informações sobre o produto pulverizador apropriado, verifique com o seu centro de assistência autorizado local.
- Poderá desejar lubrificar as lâminas ligeiramente antes da utilização, se necessário, usando o método acima.



- Verifique todas as porcas, pregos e parafusos com intervalos frequentes para confirmar a tensão apropriada e se certificar que o produto está em condições seguras de funcionamento. Qualquer peça danificada deve ser substituída ou reparada adequadamente por um centro de serviço autorizado.

COMO SUBSTITUIR AS LÂMINAS

- Inspeccione periodicamente as lâminas para verificar se há danos ou desgaste. Se algumas lâminas estiverem danificadas, devem ser correctamente reparadas ou substituídas por um centro de assistência autorizado.

ELIMINAR UMA OBSTRUÇÃO

- Pare o motor e espere até todas a peças móveis terem parado.
- Desligue o cabo da vela.
- As lâminas estão afiadas. Quando trabalhar perto das lâminas, calce luvas para trabalho pesado.
- Com cuidado, desbloqueie quaisquer materiais que estejam à volta das lâminas ou de outras peças móveis.

RISCOS RESIDUAIS

Mesmo quando se utiliza o produto segundo as instruções, continua a ser impossível eliminar por completo certos fatores de risco residuais. Os seguintes perigos podem surgir na utilização e o operador deve prestar especial atenção para evitar o seguinte:

- Prejuízo causado pelo contato com os meios de corte
 - Quando o produto não estiver a ser utilizado, certifique-se de que os protectores da lâmina estão aplicados. Mantenha as mãos e os pés afastados das lâminas em todas as circunstâncias.
- Lesões por vibração.
 - Use sempre a ferramenta certa para o trabalho, use pegas concebidas e restrinja o tempo e exposição de trabalho. Veja a secção "Redução de Riscos" neste Manual.
- Danos auditivos causados pela exposição ao ruído.
 - Use protecção para os ouvidos e limite o tempo de exposição.
- Lesões oculares provocadas por detritos projetados.
 - Use sempre protecção para os olhos.
- Ferimentos causados por queda de objectos em queda.
 - Ao trabalhar numa área onde haja um risco de queda de objectos, tem que se usar uma protecção para a cabeça.

REDUÇÃO DO RISCO

Foi reportado que as vibrações das ferramentas de mão podem contribuir para uma doença designada de Síndrome de Raynaud em determinados indivíduos. Os sintomas podem incluir formigamento, entorpecimento e empalidecimento dos dedos, habitualmente visível aquando da exposição ao frio. Estima-se que os factores hereditários, exposição ao frio e humidade, dieta, tabagismo e práticas de trabalho contribuem todos para o desenvolvimento destes sintomas. Existem medidas que

podem ser tomadas pelo operador para possivelmente reduzir os efeitos da vibração:

- Mantenha o seu corpo quente durante o tempo frio. Ao operar o produto, use luvas para manter as mãos e os pulsos quentes. Encontra-se reportado que o tempo frio é um grande factor que contribui para o Síndrome de Raynaud.
- Após cada período de operação, exercite para aumentar a circulação sanguínea.
- Faça pausas frequentes no trabalho. Limite o tempo de exposição por dia.

Caso sinta algum dos sintomas desta doença, interrompa de imediato a sua utilização e consulte o seu médico sobre estes sintomas.

⚠ ADVERTÊNCIA

O uso prolongado de uma ferramenta pode causar o agravar lesões. Ao usar qualquer ferramenta durante períodos prolongados, assegure-se que faz intervalos regulares.

CONHEÇA O SER APARELHO

Ver a página 191.

1. Comando deslizante do ar
2. Balão de detonação
3. Anteparo de protecção
4. Pega frontal
5. Arranque da vela de ignição
6. Manipulo do dispositivo de arranque
7. Lâmina
8. Tampa do filtro do ar
9. Maçaneta da tampa da caixa do ar
10. Tampa do Combustível
11. Gatilho de bloqueio para a pega rotativa
12. Actuador do acelerador
13. Punho rotativo
14. Tranca do gatilho do acelerador
15. Botão de premir Liga
16. Bainha

SÍMBOLOS NO PRODUTO



Aviso



Para reduzir os riscos de ferimentos, é indispensável que leia e compreenda bem este manual de utilização antes de utilizar esta ferramenta.



Use protecção para os ouvidos



Usar protecção para os olhos



Segure sempre o corta-sebes com ambas as mãos quando o estiver a utilizando.





Use luvas de trabalho resistentes, antideslizantes.



Para prevenir lesões graves, não toque nas lâminas de corte



Tenha cuidado com os objectos voláteis ou lançados. Mantenha todos os espectadores, especialmente crianças e animais de estimação, a pelo menos 15 m da área de funcionamento.



Utilize gasolina sem chumbo destinada aos veículos com um índice de octanas de 91 ((R+M)/2) ou superior.



Utilize um óleo de síntese dois tempos para os motores com arrefecimento por ar.



Misture completamente o combustível e o lubrificante para motores a 2 tempos antes de abastecer de combustível.



Para reduzir o risco de ferimentos ou danos, evite o contacto com qualquer superfície quente.



Pressione o cartucho principal 10 vezes.



Defina a alavanca de controlo para a posição de "FULL".



Defina a alavanca de controlo para a posição de "HALF".



Defina a alavanca de controlo para a posição "RUN".



Deixe o produto funcionar ao ralenti durante 10 segundos.



Puxe a pega de arranque até que o motor arranque.



Arranque de um motor frio



Arranque de um motor quente



Ajuste o interruptor para a posição "I" antes de tentar arrancar a unidade.



Para fazer rodar a pega rotativa, puxe o gatilho de bloqueio da pega rotativa. Faça rodar a pega para a direita ou para a esquerda e liberte o gatilho de bloqueio da pega rotativa. Continue a fazer rodar a pega rotativa, até trancar na posição de 45° ou de 90°.



Pressione o trinco do gatilho e o gatilho do acelerador.



Esta ferramenta obedece a todas as normas regulamentares do país da UE onde foi comprada.



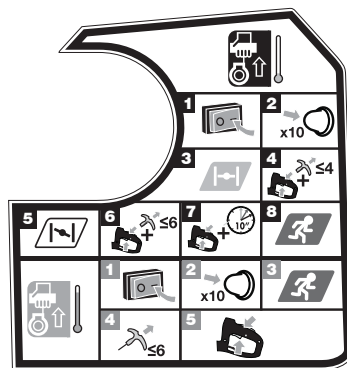
Marca de conformidade EurAsian



Marca de conformidade ucraniana



O melhor nível de potência sonora é de 105 dB




NOTA: Coloque o aparador ao nível do solo e assegure-se de que não há objectos ou obstáculos próximos que possam entrar em contacto com as folhas.

Para ligar um motor frio:

1. Ponha o interruptor de Ligado/Desligado na posição "I".
2. Pressione o cartucho principal 10 vezes.
NOTA: Depois de premir pela 7ª vez, o combustível deve ficar visível no cartucho principal. Caso contrário continue a fazer pressão até que o combustível fique visível.
3. Passe a alavanca do ar para a posição I↔.
4. Pressione o trinco do gatilho e o gatilho do acelerador. Puxe a pega de arranque até que o motor tente arranque. Não puxe o punho de arranque mais de 4 vezes.
5. Passe a alavanca do ar para a posição I↔.
6. Pressione o trinco do gatilho e o gatilho do acelerador. Puxe a pega de arranque até que o motor arranque. Não puxe o punho de arranque mais de 6 vezes.
7. Pressione o trinco do gatilho e o gatilho do acelerador.


Deixe o produto funcionar ao ralenti durante 10 segundos.

8. Passe a alavanca do ar para a posição .

Para ligar um motor quente:

1. Ponha o interruptor de Ligado/Desligado na posição "I".
2. Pressione o cartucho principal 10 vezes.

NOTA: Depois de premir pela 7ª vez, o combustível deve ficar visível no cartucho principal. Caso contrário continue a fazer pressão até que o combustível fique visível.

3. Passe a alavanca do ar para a posição .
4. Com a mão esquerda, agarre e aperte com firmeza a pega rotativa, o gatilho do acelerador e o bloqueio do gatilho do acelerador. Puxe a pega de arranque até que o motor arranque. Não puxe o punho de arranque mais de 6 vezes.
5. Pressione o trinco do gatilho e o gatilho do acelerador.

SÍMBOLOS NESTE MANUAL



As peças ou acessórios vendem-se separadamente



Nota



Aviso



Não fume quando misturar combustível ou encher o depósito de combustível.



Risco de Incêndio.



Para parar o produto, mantenha premido o interruptor de Ligado/Desligado ("I/O") na posição de Desligado ("O").

As seguintes palavras de sinal e significados destinam-se a explicar os níveis de risco associados a este produto.

PERIGO

Indica uma situação perigosa iminente, que, se não evitada, poderá resultar em morte ou ferimentos graves.

ADVERTÊNCIA

Indica uma situação potencialmente perigosa, que, se não evitada, poderá conduzir à morte ou graves lesões.

ADVERTÊNCIA

Indica uma situação potencialmente perigosa, que, se não evitada, poderá resultar em pequenas ou moderadas lesões.

ADVERTÊNCIA

Sem símbolo de alerta de segurança

Indica uma situação que pode resultar em danos de propriedade.

CALENDÁRIO DE MANUTENÇÃO



	Antes de cada uso	Após o 1º mês ou 20 horas de utilização	A cada 3 meses ou 50 horas de utilização	A cada 6 meses ou 100 horas de utilização	A cada ano ou após 300 horas de utilização
Verificar o óleo lubrificante	■				
Mudar o óleo lubrificante		■		■	
Verificar o filtro do ar	■				
Limpe o filtro de ar.			■		
Mudar o filtro do ar					■
Verificar/ajustar a vela de ignição				■	
Monte uma vela de ignição nova.					■
Verificar/ajustar a velocidade do ralenti					■
Limpe o ecrã pára-faíscas.			■		
Substitua com um novo bloqueador de ignição.					■
Verificar/ajustar a folga das válvulas ¹					■
Limpar o depósito de combustível e o filtro de combustível ¹				■	
Verificar o tubo flexível de combustível	■				
Inspeccione o filtro de combustível	■				
Substituir o filtro do combustível					■
Verificar todas as ligações do tubo flexível	■				
Inspeccionar o respiradouro de vapores do depósito de combustível (se estiver equipado)	■				
Inspeccione a caixa de carbono (só para modelos com carburador)	■				

1. Estas acções só devem ser executadas por um centro de assistência técnica autorizado.

NOTAS:

- A manutenção deve ser executada com mais frequência quando o produto for utilizado em áreas poeirentas.
- Mesmo quando o produto tiver ultrapassado os valores máximos especificados na tabela, continue a fazer os ciclos de manutenção aos intervalos de tempo ou às horas de funcionamento aqui indicadas.

RESOLUÇÃO DE PROBLEMAS

PROBLEMA	Possível causa	SOLUÇÃO
O motor não arranca.	Não há faísca.	Verifique se há faísca. Retire a vela de ignição. Volte a montar o cachimbo da vela de ignição e assente a vela de ignição no cilindro de metal. Puxe o cordão de arranque e veja se há faísca na ponta da vela de ignição. Se não houver faísca, repita o teste com uma vela de ignição nova.
	Sem combustível	Aperte várias vezes o bolbo de escorvamento, até o bolbo ficar cheio de combustível. Se o bolbo não se encher de combustível, o sistema de abastecimento de combustível está entupido. Contacte um agente de assistência. Se o bolbo de escorvamento se encher de combustível, o motor poderá estar afogado: avance para o passo seguinte.
	O motor é inundado.	Com a alavanca do ar na posição  , puxe a pega do motor de arranque 3 vezes. Se o motor não pegar, passe a alavanca do ar para a posição  e repita o procedimento de arranque normal. Se, mesmo assim, o motor não pegar, repita o procedimento com uma nova vela de ignição.
	O cordão de arranque é difícil de puxar.	Contacte um agente de assistência.
O motor começa a trabalhar mas não acelera.	O motor demora cerca de 3 minutos a aquecer.	Deixe o motor aquecer completamente. Se o motor não acelerar ao fim de 3 minutos, entre em contacto com um concessionário de assistência técnica.
O motor arranca mas só trabalha em alta velocidade e com o ar meio fechado.	O carburador precisa de ser ajustado.	Contacte um agente de assistência.
	Lubrificante/combustível mistura incorreta.	Utilize novo combustível e a proporção de mistura de óleo de 2 tempos correcta.
O motor não atinge a velocidade máxima e/ou emite demasiado fumo.	O filtro de ar está sujo.	Limpe o filtro de ar. Consulte Limpar o Filtro de Ar na secção de Manutenção deste manual.
	O ecrã do pára-faixas está sujo.	Contacte um agente de assistência.
O motor arranca, funciona e acelera, mas não funciona ao ralenti.	O parafuso do jacto de ralenti no carburador precisa de afinação.	Contacte um agente de assistência.



Ved udformningen af din benzindrevne hækkeklipper har vi givet topprioritet til sikkerhed, gode resultater og driftssikkerhed.

TILTÆNKT ANVENDELSESFØRMÅL

Den benzindrevne hækkeklipper er kun beregnet til at blive brugt af voksne, som har læst og forstået instruktionerne og advarselerne i denne vejledning og som kan betragtes som værende ansvarlige for deres handlinger.

Produktet er kun beregnet til brug i det fri i et godt ventileret område. Af sikkerhedsmæssige årsager skal produktet betjenes med to hænder, så man kan kontrollere det ordentligt.

Produktet er beregnet til privat eller hjemlig brug. Den er beregnet til at beskære og trimme hække, buske og lignende vegetation med stængler eller grene, der er mindre end 28 mm tykke. Bør anvendes under tørre, godt oplyste forhold.

Det er IKKE beregnet til klipning af græs, træer eller grene. Det bør ikke bruges til andre formål end hækkeklipping.

⚠ ADVARSEL

For at undgå alvorlige personskader må man ikke forsøge at anvende dette produkt, før man omhyggeligt har læst og forstået brugsanvisningen. Gem denne brugsanvisning, og slå jævnligt op i den for fortsat sikker brug; instruér andre, som evt. skal bruge dette produkt.

Gem disse instruktioner.

GENERELLE SIKKERHEDSADVARSLER

⚠ ADVARSEL

Alle sikkerhedsadvarsler og alle anvisninger skal læses. Manglende overholdelse af advarselene og anvisningerne kan medføre brand og/eller alvorlige personskader. Gem vejledningen med advarsler og anvisninger til senere opslag.

FORBEREDELSE

⚠ ADVARSEL

Maskinen kan forårsage alvorlige personskader. Denne brugsanvisning skal læses grundigt igennem med henblik på korrekt håndtering, klargøring, vedligeholdelse, start og stop af maskinen. Sørg for at blive fortrolig med betjeningselementerne samt korrekt brug af produktet.

- Lad ikke børn eller uskolede personer bruge dette produkt.
- pas på fare i form af elektriske luftledninger
- Alle tilskuere, børn og dyr skal være mindst 15 m væk. Brug aldrig maskinen, når der er personer, især børn, eller dyr i nærheden.
- Vær ordentligt klædt på. Bær aldrig løstsiddende tøj eller smykker; det kan blive fanget i bevægelige dele.

⚠ ADVARSEL

Anvendelse af denne form for produkter kan føre til at små stykker kastes væk fra enheden og måske rammer øjnene, hvilket kan føre til alvorlige øjenskader. Før du betjener produktet, skal du tage sikkerhedsbriller eller sikkerhedsbriller med sideafskærmning på eller et fuldt dækkende ansigtsvisir, hvis der er brug for det. Vi anbefaler enten Wide Vision Safety Mask, som kan bruges over almindelige briller, eller standard sikkerhedsbriller med sidebeskyttelse.

- Anvend ikke udstyret, hvis du har bare fødder eller går med sandaler eller lignende letvægtsfodtøj. Anvend skridsikre beskyttelsessko, der kan beskytte dine fødder og lader dig stå fast på glatte overflader.

⚠ ADVARSEL

Vær ekstra forsigtig ved håndtering af brændstoffer. Benzin er brandfarlig, og dampene er giftige og eksplosive.

- Brug kun brændstoftanke, der er godkendt til benzin.
- Fyld brændstof på, før du starter motoren. Fjern ikke hæften til brændstoftanken, og påfyld ikke brændstof, hvis motoren kører eller er varm.
- Ingen rygning.
- Påfyld altid brændstof udendørs. Der må aldrig påfyldes brændstof indendørs eller på steder, hvor der er dårlig ventilation. Holdes på afstand af alle antændingskilder, gnister og flammer.
- Produktet må aldrig sættes til opbevaring, hvis der er brændstof i brændstoftanken, inde i en bygning, hvor der er antændelseskilder, som f.eks. varmtvandsvarmere, varmemaskiner, tørretumblere og lignende.
- Evt. benzinspild på motorsaven skal tørres af. Flyt enheden 9 m bort fra tankningsstedet, inden motoren startes.
- Installer alle brændstoftanke og hætter til beholdere sikkert igen.
- Hvis brændstoftanken skal tømmes, skal dette ske udendørs.
- Hvis skæremekanismen rammer fremmedlegemer, eller hvis maskinen begynder at udsende unormal støj eller vibration, skal man afbryde strømkilden og vente, til maskinen er standset. Afmonter tændrørskablet fra tændrøret, og gør følgende:
 - inspicér for skader
 - Kontroller for eventuelle løse dele og udskift dem.
 Sørg for at få evt. beskadigede dele repareret eller udskiftet med ækvivalente dele.

⚠ ADVARSEL

Dette produkt er støjende i brug. Du skal anvende høreværn for at reducere risikoen for høreskader på langt sigt.





⚠ ADVARSEL

Brug altid sikkerhedsbriller eller beskyttelsesbriller med sideafskærmning, når der arbejdes med redskaber og værktøj. Hvis denne regel ikke overholdes, kan man få slynget fremmedlegemer i øjnene og komme alvorligt til skade.

- Sådan stoppes motoren i en nødsituation: Tryk Til/Fra-kontakten til Fra-position (O).

VEKSELSTRØM

- Du skal altid stoppe motoren, fjerne tændrørshætten fra tændrøret, lade den afkøle og sikre, at alle bevægelige dele ikke bevæger sig, inden du gør noget af følgende:
 - Optankning
 - Juster arbejdspositionen eller positionen af det bagerste håndtag
 - at efterlade produktet uden opsyn
 - rengøring af produktet
 - Udskiftning af tilbehør
 - rydning af blokeringer
 - kontrol for evt. skader efter kollision med et objekt
 - kontrol for evt. skader, hvis produktet begynder at vibrere unormalt
 - udførelse af vedligeholdelsesarbejde
- Start kun motoren, hvis hækkeklipperen er i en sikker arbejdsposition. Før du starter motoren, anbefaler producenten, at produktet placeres på jorden, hvor klingerne ikke kan komme i kontakt med noget.
- Under brug af hækkeklipperen må du ikke række dig for langt frem eller stå på usikre elementer. Sørg for altid at have godt fodfæste og god balance. Producenten anbefaler ikke, at man benytter skamlere eller stiger. Hvis hækkeklipperen skal anvendes højere op, skal man benytte et hertil indrettet redskab, med hvilket man kan forlænge sin rækkevidde.
- Undlad at bruge maskinen med beskadiget eller meget slidt klippeudstyr.
- For at reducere brandfaren skal motor og lydpotte holdes fri for affald, løv eller overskydende smøremiddel.
- Når du bruger maskinen, skal du kontrollere, at alle håndtag og skærme er monteret korrekt. Forsøg aldrig at bruge et ukomplet produkt eller et produkt, der er ændret uden godkendelse.
- Brug altid begge hænder til at betjene maskinen med to håndtag.
- Gør dig fortrolig med omgivelserne, og vær opmærksom på evt. faremomenter, som du måske ikke bemærker pga. støjen fra maskinen.

EKSTRA ADVARSEL

- Motoren må ikke startes i indelukkede områder, hvor der kan ophobes farlig kulliterøg. Kullite, en farveløs, lugtfri og ekstremt farlig gas, kan medføre bevidstløshed eller dødsfald.
- Undlad at bruge dette produkt, hvis du er træt, syg eller påvirket af alkohol, narkotika eller medikamenter.

- Inden hver brug skal man kontrollere, at alle betjeningslementer og alt sikkerhedsudstyr fungerer upåklageligt. Undlad at bruge produktet, hvis motoren ikke kan standses med "SLUK"-kontakten. Få defekte kontakter udskiftet på et autoriseret servicecenter.
- Husk altid at inspicere maskinen inden brug. Kontrollér for løse fastgørelseselementer, brændstoffækage, mv. Betjen ikke enheden, hvis der lækker brændstof, eller hvis håndtag eller afskærmninger ikke er sikre eller fuldt funktionelle.
- Langt hår skal bindes op over skulderniveau, så det ikke risikerer at vikles sig ind i bevægelige dele.
- Må ikke anvendes under dårlige lysforhold. Operatøren skal have tydeligt overblik over arbejdsområdet, så han/hun kan identificere evt. faremomenter.
- Ryd arbejdsområdet inden hver ibrugtagning. Fjern alle fremmedlegemer, som f.eks grene, wire eller træde, der kan gå i stykker eller blive viklet ind i de bevægelige eller skærende dele.
- Man skal hele siden sikre sig, at der ikke er personer eller dyr bag ved eller inde i den hæk eller busk, der skal klippes. Brug af lignende værktøjer i nærheden øger både risikoen for høre-skader og for, at uvedkommende personer kommer ind i dit arbejdsområde.
- Tjek ofte alle møtrikker, bolte og skruer om de sidder godt fast, og sørg for at produktet fungerer ordentligt. Enhver del, som bliver beskadiget, skal repareres ordentligt eller udskiftes på et autoriseret servicecenter.

⚠ ADVARSEL

Når man slipper udløseren, og motoren kører i tomgang, må klippeudstyret eller kniven ikke være i bevægelse. Hvis disse dele bevæger sig, udsætter operatøren sig for alvorlig personskade. Undlad da at bruge maskinen. Indlever den på et autoriseret servicecenter til service udført af fagfolk.

- Undgå at berøre området omkring lydpotte eller motor i produktet; disse dele bliver meget varme under drift.
- Du må ikke ændre produktet på nogen måde.
- Undgå at tvinge hækkeklipperen gennem tæt buskads. Dette kan få knivene til at blokere eller køre langsommere. Hvis knivene kører langsommere, reducerer man bevægelsestempoet.
- Forsøg ikke at klippe stammer eller kviste, der er tykkere end 28 mm, eller som tydeligvis er for tykke til at komme ind i klippekniven. Brug en manuel håndsav eller beskæringssav til klipning af lange stammer.
- En kørende eller varm motor samt lyd-dæmperen skal holdes på afstand af brandbart materiale for herved at reducere risikoen for brand.

TRANSPORT OG OPBEVARING

- Stop maskinen, og lad den køle af, inden den opbevares eller transporteres.
- Afrens alle fremmedlegemer fra produktet.
- Tildæk klingerne med klingebeskyttelsen (skeden).
- Tøm benzintanken helt. Brug en dunk, der er godkendt

EN
FR
DE
ES
IT
NL
PT
DA
SV
FI
NO
RU
PL
CS
HU
RO
LV
LT
ET
HR
SL
SK
BG
UK
TR



til brændstof. Husk at sætte brændstoffættten korrekt på og stramme den.

- Start motoren og lad den gå, til den kører tør. Dette vil fjerne alt brændstof, der ellers ville blive muggent og efterlade rester og klæbrigt materiale i brændstofsyste­met.
- Opbevar produktet et køligt, tørt og godt ventileret sted, hvor der ikke er adgang for børn, og hvor der er god afstand til antændelseskilder.
- Opbevar motorsaven på afstand af ætsende midler som f.eks. havekemikalier og optøningssalt.
- Må ikke opbevares udendørs.
- Til transport skal man sikre produktet, så den ikke kan bevæge sig eller vælte; dette for at forebygge pers­on­skader eller skader på produktet.
- Produktet må aldrig bæres eller transporteres, mens det kører.
- Overhold alle ISO-normer og gældende bestemmelser for sikker opbevaring og håndtering af benzin.

Opbevaring i kort tid (mindre end 1 måned)

- Stop motoren, og lad den køle af før opbevaring.
- Tildæk klingerne med klingebeskyttelsen (skeden).
- Opbevar produktet et køligt, tørt og godt ventileret sted, hvor der ikke er adgang for børn, og hvor der er god afstand til antændelseskilder.
- Opbevar motorsaven på afstand af ætsende midler som f.eks. havekemikalier og optøningssalt.
- Må ikke opbevares udendørs.

VEDLIGEHOLDELSE

⚠ ADVARSEL

Vedligeholdelse kræver stor omhyggelighed og viden og kun bør udføres af en kvalificeret tekniker. Til servicering og reparation skal produktet indleveres på nærmeste autoriserede servicecenter. Skal dele udskiftes må kun identiske reservedele anvendes.

⚠ ADVARSEL

Knivene er skarpe. Ved håndtering af knivmodulet skal man benytte skridsikre, kraftige beskyttelseshandsker. Undlad at anbringe hånden eller fingrene mellem knive eller i en position, hvor de kunne blive klemt eller afklippet. Rør ikke ved klingerne, og udfør ikke service på produktet, hvis ledningen til tændrøret er tilsluttet.

⚠ ADVARSEL

Sørg for, at bremsevæske, benzin, petroleumsbaserede produkter, penetreringsolie, mv., aldrig kommer i kontakt med plastdele. Kemikalier kan beskadige, blødgøre eller ødelægge plast, hvilket kan medføre alvorlige pers­on­skader.

⚠ ADVARSEL

Forsøg ikke at modificere denne enhed eller at anvende tilbehør som ikke er beregnet til denne enhed. Sådanne ændringer eller modificeringer betegnes som værende misbrug og kan føre til farlige situationer og potentielt alvorlige personlige skader.

- Du kan lave justeringer og reparationer beskrevet i denne brugervejledning. Til andre reparationsopgaver skal man kontakte den autoriserede servicemontør.
- Konsekvenser af ukorrekt vedligeholdelse kan inkludere kulaflejring, der medfører tab af ydelse og afladning af sorte olieagtige rester der drypper fra lyd­dæmperen.
- Produktlegemet og -håndtagene skal rengøres med en blød klud efter hver brug.
- Efter hver brug skal man fjerne affald fra knivene med en stiv børste og derefter forsigtigt påføre rustbeskyttelsesmiddel, inden man genmonterer knivbeskytteren. Producenten anbefaler, at man bruger en rustbeskyttende smøremiddelspray, som fordeles jævnt og reducerer faren for pers­on­skade som følge af kontakt med knivene. For information mht. passende sprayprodukt henvises til det lokale autoriserede servicecenter.
- Hvis man evt. ønsker at smøre knivene en smule inden brug, skal man følge ovenstående fremgangsmåde.
- Tjek ofte alle møtrikker, bolte og skruer om de sidder godt fast, og sørg for at produktet fungerer ordentligt. Enhver del, som bliver beskadiget, skal repareres ordentligt eller udskiftes på et autoriseret servicecenter.

UDSKIFTNING AF KLINGER

- Inspicér med jævne mellemrum knivene for skader og slitage. Hvis der er beskadigede klinger, skal de repareres behørigt eller udskiftes på et autoriseret servicecenter.

AFHJÆLPNING AF BLOKERING

- Stop motoren og vent på, at alle bevægelige dele står stille.
- Afbryd tændrørskablet.
- Knivene er skarpe. Anvend kraftige handsker, når du arbejder i nærheden af klingerne.
- Vær forsigtig, når du fjerner blokerende materiale eller rester omkring klingerne eller andre bevægelige dele.

UUNDGÅELIGE RISICI

Selv om produktet anvendes som foreskrevet, er det stadig umuligt at eliminere visse uundgåelige risikofaktorer fuldstændigt. Følgende risici kan opstå under brug, og operatøren bør være særligt opmærksom for at undgå følgende:

- Personskade som følge af kontakt med skærende dele
 - Sørg for, at klingskærmene er monteret, når produktet ikke er i brug. Hold altid hænder og fødder på afstand af klinger.
- Personskader forårsaget af vibration.
 - Brug altid det rigtige værktøj i forhold til

arbejdsopgaven, benyt de hertil indrettede håndtag, og sørg for at begrænse arbejds- og eksponeringstiden. Se afsnittet "Risikoreducering" i denne manual.

- Fare for høreskader som følge af eksponering til støj.
 - Benyt høreværn, og begræns eksponering.
- Øjenskader pga. flyvende affaldsstykker.
 - Der skal altid benyttes øjenværn.
- Skader forvoldt af faldende genstande.
 - Hvis der arbejdes i et område med fare for nedfaldende genstande, skal der bæres hovedværn.

RISIKOREDUKTION

Der er rapporteret om, at vibrationer fra håndholdte værktøjer kan være medvirkende til en lidelse kaldet Raynauds syndrom hos visse personer. Symptomerne herpå kan være prikken, følelsesløshed og blegning af fingrene, der normalt viser sig ved kuldepåvirkning. Faktorer som arvelighed, udsættelse for kulde og fugt, kost, rygning og arbejdsvaner menes alle at medvirke til udviklingen af disse symptomer. Der findes forholdsregler, som operatøren kan træffe for at begrænse påvirkningen fra vibrationer:

- Hold kroppen varm i koldt vejr. Brug handsker, så hænder og vriste holdes varme under arbejdet. Der er rapporteret om, at koldt vejr er en væsentlig faktor til Raynauds syndrom.
- Motionér efter hver arbejdsperiode for at øge blodcirkulationen.
- Hold hyppige arbejdspauser. Begræns eksponeringen for vibrationer pr. dag.

Hvis du mærker nogen af symptomerne på denne tilstand, skal du straks ophøre med arbejdet og søge læge.

⚠ ADVARSEL

Længere tids brug af et værktøj kan forårsage - eller forværre - personskader. Når man bruger et værktøj i længere perioder ad gangen, skal man huske at holde hyppige pauser.

KEND PRODUKTET

Se side 191.

1. Skydeknop til choker
2. Primer
3. Sikkerhedsskærm
4. Forhåndtag
5. Tændrørshætte
6. Startgreb
7. Klinge
8. Luftfilterdæksel
9. Greb til luftboks-dæksel
10. Brændstoffdæksel
11. Låseudløser til drejehåndtag
12. Gashåndtag (klemme-greb)
13. Drejehåndtag
14. Gashåndtagsslås
15. Tænd/Sluk-kontakt
16. Skede

SYMBOLER PÅ PRODUKTET



Sikkerheds Varsel



For at mindske risikoen for uheld, så skal brugeren læse og forstå denne brugsanvisning, inden produktet tages i brug.



Bær høreværn



Benyt øjenværn



Hold altid hækkeklipperen med begge hænder under brug.



Brug friktionsfri, kraftige handsker.



For at undgå alvorlige personskader må man ikke røre knivene.



Pas på udslyngede eller flyvende objekter. Sørg for, at tilskuere (især børn og dyr) er mindst 15 m fra arbejdsområdet.



Brug blyfri benzin til personvogne med et oktantal på 91 ((R+M)/2) eller derover.



Anvend syntetisk olie til luftkølede totaktsmotorer.



Bland brændstoffet og 2-takts motorolien grundigt, før du genpåfylder.



For at begrænse risikoen for (person) skader skal man undgå kontakt med enhver varm overflade.



Pres spædebollen ind 10 gange.



Indstil chokerhåndtaget i chokerposition "FULL" (=fuld).



Indstil chokerhåndtaget i chokerposition "HALF" (=halv).



Indstil chokerhåndtaget i pos. "RUN" (=kør).



Lad produktet køre i tomgang i 10 sekunder.



Træk i starthåndtaget, til motoren starter.



Start af kold motor



Start af varm motor



Tryk på håndtagets roteringslås for at dreje roteringshåndtaget. Drej håndtaget til højre eller venstre, og slip håndtagets roteringshåndtag. Bliv ved med at dreje roteringshåndtaget, indtil det låser i en position på 45° eller 90°.



Pres udløserlåsen og gasudløseren ind.



Indstil kontakten i pos. "I", inden du forsøger at starte enheden.



Dette redskab overholder alle lovkrav og standarder i det EU-land, hvor det er købt.



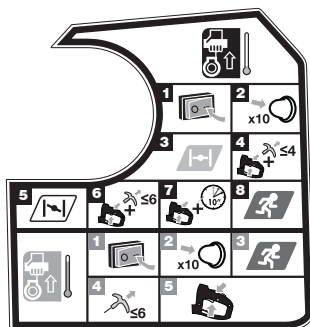
EurAsian overensstemmelsesmærke



Ukrainsk overensstemmelsesmærke



Det garanterede lydeffektniveau er 105 dB.



BEMÆRK: Læg hækkeklipperen på et plant underlag, og kontrollér, at der ikke er objekter eller forhindringer i nærheden, som kan komme i kontakt med knivene.

Sådan startes en kold motor:

1. Indstil Til/Fra-kontakten til position "I".
2. Pres spædebolden ind 10 gange.

BEMÆRK: Efter det 7. tryk bør man kunne se brændstoffet i spædebolden (primer-bolden). I modsat fald fortsætter

man med at trykke, indtil brændstoffet kan ses.

3. Sæt chokerhåndtaget til position I.
4. Pres udløserlåsen og gasudløseren ind. Træk i starthåndtaget, til motoren forsøger at starte. Træk ikke i starthåndtaget mere end 4 gange.
5. Sæt chokerhåndtaget til position I.
6. Pres udløserlåsen og gasudløseren ind. Træk i starthåndtaget, til motoren starter. Træk ikke i starthåndtaget mere end 6 gange.
7. Pres udløserlåsen og gasudløseren ind. Lad produktet køre i tomgang i 10 sekunder.
8. Sæt chokerhåndtaget til position A.

Sådan startes en varm motor:

1. Indstil Til/Fra-kontakten til position "I".
2. Pres spædebolden ind 10 gange.
BEMÆRK: Efter det 7. tryk bør man kunne se brændstoffet i spædebolden (primer-bolden). I modsat fald fortsætter man med at trykke, indtil brændstoffet kan ses.
3. Sæt chokerhåndtaget til position A.
4. Hold fast i, og klem sammen om roteringshåndtaget, gashåndtaget samt gashandtagets lås med din venstre hånd. Træk i starthåndtaget, til motoren starter. Træk ikke i starthåndtaget mere end 6 gange.
5. Pres udløserlåsen og gasudløseren ind.

SYMBOLER I DENNE BRUGSANVISNING



Dele eller tilbehør, der sælges separat



Bemærk



Advarsel



Undlad at ryge, når du blander brændstof eller fylder brændstoftanken.



Risiko for brand.



Tryk på I/O kontakten, så den skifter til "O" position.

De følgende ikoner og betydninger er beregnet til at forklare risikoen involveret i at anvende denne enhed.

FARE

Indikerer en meget farlig situation, som hvis ikke undgås, kan føre til alvorlige skader og i værste fald døden.

ADVARSEL

Indikerer en potentielt farlig situation, som hvis ikke undgås, kan føre til alvorlige skader og i værste fald døden.

PAS PÅ

Indikerer en potentielt farlig situation, som hvis ikke undgås, kan føre til mindre eller moderate skader.

PAS PÅ

Uden sikkerhedsadvarselssymbol

Indikerer en situation, som kan medføre materiel skade.



VEDLIGEHOLDSESØVERSIGT					
	Inden hver brug	Efter 1 måneds eller 20 timers drift	Hver 3. måned eller 50 timers drift	Hver 6. måned eller 100 timers drift	Hvert år eller efter 300 timers drift
Kontrollér motorolie	■				
Skift motorolie		■		■	
Kontrollér luftfilter	■				
Rens luftfilteret.			■		
Skift luftfilter					■
Kontrollér/justér tændrør				■	
Udskiftning af brændstoffilter					■
Kontrollér/justér tomgangshastighed					■
Rens gnistfangeren.			■		
Udskift med et nyt gnistfang.					■
Kontrollér/justér ventilspillerum ¹					■
Rengør brændstoftank og filter ¹				■	
Kontrollér brændstofslange	■				
Efterse brændstoffilteret	■				
Udskiftning af brændstoffilter					■
Kontrollér alle slangetilslutninger	■				
Inspicér brændstoftankens dampventil (hvis en sådan forefindes)	■				
Inspicér beholderen med aktivt kul (kun karburator-modeller)	■				

1. Disse punkter bør kun udføres af et autoriseret servicecenter.

BEMÆRKNINGER:

- Vedligeholdelse bør udføres mere regelmæssigt, når produktet anvendes på støvede områder.
- Når produktet har overskredet de maksimale tal, der er angivet i tabellen, bør vedligeholdelse stadig gennemgå cyklusser i henhold til de tidsintervaller eller timer angivet heri.

FEJLFINDER

Problem	Mulig årsag	Løsning
Motor vil ikke starte.	Ingen gnist i tændrøret.	Se, om der kommer gnister. Tag tændrøret ud. Sæt tændrørshætten på igen, og læg tændrøret på metalcylinderen. Træk i startsnoren og se efter, om der kommer gnister ved spidsen af tændrøret. Hvis der ikke kommer gnister, skal du prøve igen med et nyt tændrør.
	Ingen brændstof	Skub primerkolben, indtil kolben er fuld af brændstof. Hvis kolben ikke fyldes op, er det primære benzin-leveringssystem blokeret. Kontakt en serviceforhandler. Hvis den primære kolbe ikke fyldes op, er motoren muligvis oversvømmet; fortsæt til næste genstand.
	Motor er druknet.	Træk i starthåndtaget 3 gange med chokerhåndtaget i position  . Hvis motoren ikke starter, skal du indstille chokerhåndtaget til chokerposition  og gentage den normale startprocedure. Starter motoren stadig ikke, prøv da at udskifte tændrøret med et nyt.
	Startrebet er hårdt at trække i.	Kontakt en serviceforhandler.
Motoren starter, men vil ikke accelerere.	Motoren kræver omkring tre minutter til at varme op.	Lad motoren varme helt op. Hvis motoren ikke accelererer efter tre minutter, så kontakt en serviceforhandler.
Motoren starter men vil kun køre på halv hastighed, med halv choker.	Karburatoren trænger til justering.	Kontakt en serviceforhandler.
Motoren kan ikke komme helt op i omdrejninger og ryger for meget.	Smørelse/benzin blanding er forkert.	Brug frisk benzin og den korrekte blanding af benzin og 2-taktsolie.
	Luftfilteret er tilstoppet.	Rengør luft filteret. Henvise til Rengøring af Luft Filter i Vedligeholdelse afsnittet af dette hæfte.
	Gnistfangeren er tilnavset.	Kontakt en serviceforhandler.
Motoren starter og tager gassen, men kan ikke gå i tomgang.	Tomgangsskrue på karburator kræver justering.	Kontakt en serviceforhandler.

Säkerhet, prestanda och tillförlitlighet har varit högsta prioritet vid utformningen av din bensindrivna häcktrimmer.

ANVÄNDNINGSSOMRÅDE

Den bensindrivna häcktrimmern är endast avsedd att användas av vuxna som har läst och förstått instruktionerna och varningarna i denna manual och vilka kan anses ansvariga för sina handlingar.

Produkten är enbart avsedd för utomhusbruk på väl ventilerade områden. Av säkerhetsskäl ska båda händerna användas för korrekt manövrering av produkten.

Produkten är avsedd för hemma- eller privat bruk. Utrustningen är avsedd för att beskära och trimma häckar, buskar och liknande växtlighet med stammar och grenar som inte är tjockare än 28 mm. Det ska användas under torra, väl belysta förhållanden.

Det är INTE avsett för att klippa gräs, kapa träd eller skära grenar. Det ska inte användas för något annat än att klippa eller trimma häckar.

⚠ VARNING

För att undvika allvarliga personskador ska du inte försöka att använda den här produkten innan du noggrant har läst igenom och förstått anvisningarna i användarhandboken. Spara denna användarhandbok och läs den med jämna mellanrum för fortsatt säker användning; lär andra personer som ska använda den här produkten hur den fungerar.

Spara dessa instruktioner.

ALLMÄNNA SÄKERHETSFÖRESKRIFTER

⚠ VARNING

Läs alla säkerhetsvarningar och alla instruktioner. Om du inte följer varningar och anvisningarna kan det resultera i brand och/eller allvarlig skada. Spara dessa varningar och instruktioner för senare behov.

FÖRBEREDELSE

⚠ VARNING

Denna maskin kan orsaka svåra skador. Läs igenom instruktionerna noggrant för korrekt användning, förberedelse, underhåll, start och stopp av maskinen. Bekanta dig med reglagen och rätt användning av produkten.

- Låt inte barn eller icke utbildade personer använda produkten.
- se upp med fara från hängande strömförande ledningar
- Håll alla åskådare, barn och husdjur på minst 15 meters avstånd. Använd aldrig maskinen i närheten av människor, speciellt barn, eller husdjur.
- Klä dig korrekt. Bär inte lösa kläder eller smycken, de kan fastna i rörliga delar.

⚠ VARNING

Användning av kraftverktyg kan resultera i att främmande föremål kastas upp i ögonen vilket kan leda till allvarlig ögonskada. Använd alltid skyddsglasögon eller skyddsglasögon med sidoskydd, och vid behov ett fullständigt ansiktsskydd, innan du startar produkten. Vi rekommenderar användning av en ansiktsmask över skyddsglasögon eller standardskyddsglas med breda sidoglas.

- Använd inte utrustningen när du är barfota eller bär sandaler eller liknande lätta skor. Använd halkfria skyddsskor som skyddar dina fötter och ger dig bra grepp på hala ytor.

⚠ VARNING

Var extra noga när du hanterar bränsle. Bensin är lättantändligt, och ångorna är toxiska och explosiva.

- Använd endast bränslebehållare som är godkända för bensin.
 - Fyll på bränsle innan du startar motorn. Ta aldrig bort bränsletankens lock eller fyll på bränsle medan motorn är igång eller när motorn är varm.
 - Rökning förbjuds.
 - Fyll alltid på bränsle utomhus. Fyll aldrig på bränsle inomhus eller på en plats med otillräcklig ventilation. Håll utrustningen borta från alla antändningskällor, gnistor och lågor.
 - Förvara aldrig produkten med bränsle i bränsletanken inuti en byggnad där det finns antändningskällor, som vattenvärmare eller rumsuppvärmning, torkanordningar för kläder och liknande.
 - Torka bort utspillt bränsle från apparaten. Förflytta dig 9 m (30ft) bort från påfyllningsstället innan motorn startas.
 - Sätt tillbaka alla lock för bränsletank och behållare ordentligt.
 - Om bränsletanken svämmas över bör detta göras utomhus.
 - Om sågmekanismen träffar ett främmande föremål eller om maskinen skulle starta med ovanligt ljud eller vibrationer, stäng då av kraftkällan och låt maskinen stanna. Koppla ur tändstiftskabeln från tändstiftet och utför följande steg:
 - inspektera för ev. skador
 - Kontrollera om det finns lösa delar, och ersätt dem i så fall.
- Se till att skadade delar byts ut eller repareras med delar som har liknande specifikationer.

⚠ VARNING

Den här produkten genererar högt ljud när den används. Du måste använda hörselskydd för att minska risken för hörselskador på lång sikt.

⚠ VARNING

Använd alltid säkerhetsglasögon eller skyddsglasögon försedda med sidoskydd vid arbete med verktyg. Underlåtenhet att följa denna föreskrift kan leda till att främmande partiklar slungas mot ögonen och framkallar allvariga ögonskador.

- Stoppa motorn i en nödsituation: Ställ på/av-brytaren i läget för av (O).

ANVÄNDNING

- Stanna alltid motorn, koppla från tändstiftslocket från tändstiftet, låt motorn svalna och se till att alla rörliga delar har stannat helt och hållet före:
 - Tankning
 - justera arbetspositionen eller det bakre handtagets position
 - att lämna produkten utan tillsyn
 - rengöring av produkten
 - byta ut tillbehör
 - ta bort blockeringar
 - efter att ha slagit i något skall man kontrollera ev. skador
 - kontrollera ev. skador om produkten börjar vibrera onormalt
 - Underhåll
- Starta motorn endast om häcktrimmern befinner sig i en säker arbetsposition. Tillverkaren rekommenderar att produkten placeras på marken, där bladen inte kan komma i kontakt med något, innan motorn startas.
- Vid användning av häcktrimmern, sträck dig inte för långt och stå inte på ett instabilt underlag. Ha alltid ett bra fotfäste och en god balans. Tillverkaren rekommenderar inte användning av stegar eller trappor. Om det ska klippas på högre höjd ska förlängningstillbehör användas.
- Använd inte maskinen med en skadad eller utsliten skärdel.
- För att minska brandrisk ska ljuddämparen och motorn hållas fria från skräp, löv och överflödigt smörjmedel.
- Se alltid till att alla handtag och skydd sitter på när maskinen används. Försök aldrig att använda en ofullständig produkt eller en produkt som modifierats på ej auktoriserat sätt.
- Använd alltid båda händerna vid användning av maskiner med två handtag.
- Bekanta dig med omgivningen och var uppmärksam på faror som du kanske inte upptäcker på grund av oljudet från maskinen.

EXTRA VARNING

- Kör inte motorn i slutna utrymmen eftersom farliga koloxidångor kan ansamlas. Kolmonoxid, en färglös, luktfri, och extremt farlig gas kan orsaka medvetlöshet eller död.
- Använd inte produkten om du är trött, sjuk eller påverkad av alkohol, droger eller medicin.
- Kontrollera före användning så att reglage och

säkerhetsanordningar fungerar som de ska. Använd inte produkten om "Off"-läget inte stoppar motorn. Låt ett auktoriserat servicecenter byta ut trasiga strömbrytare.

- Se över maskinen inför varje användning. Kontrollera lösa fästen, bränsleläckage och liknande. Använd inte enheten om bränsle läcker ut eller om handtag och skydd inte sitter säkert och fungerar felfritt.
- Sätt upp hår som är längre än till axlarna så att det inte trasslas in i rörliga delar.
- Använd endast i god belysning. Operatören måste ha god överblick över arbetsområdet för att upptäcka potentiella faror.
- Rensa upp på arbetsområdet innan arbetet påbörjas. Avlägsna alla främmande föremål som stolpar, metalltråd eller snören som kan skada eller trassla in sig i rörliga delar eller skärenheter.
- Kontrollera hela tiden så att det inte finns personer eller djur i häcken eller busken som ska klippas. Användning av liknande maskiner i närheten ökar risken för både hörselskador och för andra personer i närheten av arbetsområdet.
- För att vara säker på att produkten är säker att använda, kontrollera alla muttrar, bultar och skruvar regelbundet för att säkerställa att de är åtdragna ordentligt. Skadade delar skall repareras ordentligt eller bytas ut av en auktoriserad servicefirma.

⚠ VARNING

När gasreglaget släpps och motorn går på tomgång får inte klipptillbehöret eller -bladet röra sig. Om den fortsätter att röra sig finns risk för allvarig personskada för användaren. Använd inte maskinen. Lämna den till auktoriserat servicecenter för åtgärd.

- Rör inte vid omgivningen runt ljuddämpare eller motorn, dessa delar blir heta när apparaten används.
- Ändra inte produkten på något sätt.
- Tvinga inte in häcktrimmern igenom grova buskar. Detta kan orsaka att knivbladen fastnar och saktar ned. Om knivarna saktar ned, reducera hastigheten
- Försök inte klippa stammar eller grenar som är tjockare än 28 mm, eller de som uppenbarligen är för grova för att få in i skärbladet. Använd en ej motordriven handsåg för att kapa grova stammar.
- Se till att hålla en motor och ljuddämpare som är i drift - eller som fortfarande är varm - på behörigt avstånd från brännbara material för att reducera brandrisken.

TRANSPORT OCH FÖRVARING

- Stoppa maskinen och låt den svalna före transport eller förvaring.
- Ta bort allt främmande material från produkten.
- Täck bladet med bladskyddet (skidan).
- Töm ut allt bränsle från tanken i en behållare som är godkänd för bensin. Kom ihåg att sätta tillbaka bränsletankens lock och dra åt det ordentligt.
- Kör motorn tills den stannar. Detta avlägsnar allt bränsle



som kan förstöras och lämna lacker och gummiämnen i bränslesystemet.

- Förvara produkten på en sval, torr och väl ventilerad plats som är oåtkomlig för barn och befinner sig på tillbörligt avstånd från antändningskällor.
- Förvara på avstånd från frätande medel, t.ex. trädgårdskemikalier och vägsalt.
- Förvara den inte utomhus.
- Vid transport ska produkten säkras mot rörelser eller fallande för att förhindra personskador eller att produkten skadas.
- Bär eller transportera aldrig produkten när den är igång.
- Följ alla lagar och förordningar beträffande säker förvaring och hantering av bensin.

Korttidsförvaring (mindre än en månad)

- Stanna motorn och låt den svalna innan förvaring.
- Täck bladet med bladskyddet (skidan).
- Förvara produkten på en sval, torr och väl ventilerad plats som är oåtkomlig för barn och befinner sig på tillbörligt avstånd från antändningskällor.
- Förvara på avstånd från frätande medel, t.ex. trädgårdskemikalier och vägsalt.
- Förvara den inte utomhus.

UNDERHÅLL

⚠ VARNING

Att serva produkten kräver extrem försiktighet och kunskap och bör endast utföras av en kvalificerad servicetekniker. Vid service och för reparation ska produkten lämnas in hos närmaste auktoriserade servicecenter. Använd endast identiska utbytesdelar när produkten servas.

⚠ VARNING

Bladen är vassa. Vid hantering av klingan ska du använda halkfria, grova skyddshandskar. Placera inte händer eller fingrar mellan bladen eller på något ställe där de kan klämmas eller skäras. Vidrör aldrig bladen eller utför service på produkten medan tändstiftets ledning är ansluten.

⚠ VARNING

Låt aldrig bromsvätska, bensin, bensinbaserade produkter, penetrerande oljor, etc., komma i kontakt med plastdelarna. Kemikalier kan skada, försvaga eller förstöra plast vilket kan orsaka allvarlig personskada.

⚠ VARNING

Försök inte att modifiera denna produkt eller skapa tillbehör till den som inte är rekommenderade för denna produkt. Sådana modifieringar anses som felanvändning och det kan resultera i en farlig situation som kan leda till allvarlig personskada.

- Du kan göra de justeringar och reparationer som beskrivs i den här manualen. För alla andra reparationer ska godkänt servicecenter kontaktas.
- Konsekvenser av eftersatt underhåll kan vara alltför mycket kolavlagringar som ger försämrad prestanda och utsläpp av svarta oljerester från ljuddämparen.
- Efter varje användning ska produktens yttre och handtag rengöras med en torr, mjuk trasa.
- Efter varje användning ska skräp rensas bort från bladen med en styv borste, rostskyddsmedel appliceras och bladskyddet fästas på nytt. Tillverkaren rekommenderar användning av rostskyddsmedel i sprayform för jämn fördelning och mindre skaderisk vid kontakt med bladen. Information om lämpligt rostskyddsspray finns hos auktoriserat servicecenter.
- Om du vill smörja bladen före användning ska samma metod användas.
- För att vara säker på att produkten är säker att använda, kontrollera alla muttrar, bultar och skruvar regelbundet för att säkerställa att de är åtdragna ordentligt. Skadade delar skall repareras ordentligt eller bytas ut av en auktoriserad servicefirma.

BYTA UT BLADEN

- Inspektera knivbladenregelbundet avseende skador och slitage. Om blad har skadats måste de repareras på korrekt sätt eller bytas ut på en auktoriserad serviceverkstad.

RENSA BLOCKERADE RÖR

- Stoppa motorn och vänta tills alla rörliga delar har stannat.
- Koppla ur tändkabeln.
- Bladen är vassa. Använd kraftiga skyddshandskar vid arbete nära bladen.
- Ta försiktigt bort blockeringar eller skräp från området runt bladen eller andra rörliga delar.

KVARSTÅENDE RISKER

Även om produkten används enligt instruktionerna går det inte att eliminera alla eventuella riskfaktorer. Följande risker kan uppkomma under bruk och användaren ska vara extra uppmärksam för att undvika följande:

- Skador orsakade av kontakt med skärbladen
 - Se till att bladskydden sitter på när produkten inte används. Håll alltid händer och fötter på säkert avstånd från bladen.
- Skada orsakad av vibration.
 - Använd alltid rätt verktyg för arbetet, håll ordentligt i handtagen och begränsa arbetstid och exponering. Se avsnittet "Riskminskning" i denna manual.
- Hörselskada orsakad av oljud.
 - Använd hörselskydd och begränsa exponeringen.
- Ögonskador på grund av kringkastade föremål.
 - Använd alltid lämpligt ögonskydd.
- Skador genom fallande föremål.
 - Skyddshjälm ska användas på platser där det finns risk för fallande föremål.



RISKMINSKNING

Det finns rapporter om att vibrationer från handhållna verktyg kan bidra till ett tillstånd som kallas Raynauds syndrom för vissa personer. Symptomen brukar vara att det sticker i fingrarna och att de domnar bort; fingrarna kan också bli vita, särskilt vid kyla. Ärftliga faktorer, kyla och fukt, diet, rökning och arbetsrutiner tros alla bidra till att orsaka dessa symptom. Det finns förebyggande åtgärder som du kan vidta för att försöka minska vibrationernas påverkan:

- Håll dig varm när du arbetar i kallt väder. Använd handskar för att hålla händer och handleder varma under användning. Kyla har rapporterats som en viktig del i utvecklandet av Raynauds syndrom.
- Träna och rör på dig efter varje användningstillfälle för att öka blodcirkulationen.
- Ta ofta pauser från arbetet. Begränsa tiden du utsätter dig varje dag.

Upphör omedelbart om du upplever några av dessa symptom och uppsök din läkare.

⚠ VARNING

Risk för person- eller slitageskador vid användning av verktyget under lång tid. Om verktyget används under längre perioder krävs regelbundna pauser.

LÄR KÄNNA PRODUKTEN

Se sida 191.

1. Glidreglage för choke
2. Primergummi
3. Skyddskåpa
4. Främre handtag
5. Tändstiftshuva
6. Startgrepp
7. Blad
8. Luftfilterlock
9. Knapp på ventilationskåpan
10. Tanklock
11. Låsutlösare för roterande handtag
12. Avtryckare med hastighetsreglage
13. Det roterande handtaget
14. Gasreglagets spärr
15. Av/på-knapp
16. Svärdsliida

SYMBOLER PÅ PRODUKTEN



Säkerhetsvarning



För att minska risken för skador måste användaren läsa, och förstå användningsmanualen innan han eller hon använder produkten.



Använd hörselskydd



Bär ögonskydd



Håll alltid häcktrimmern med båda händerna när du använder den.



Används halkfria, grova skyddshandskar.



För att undvika allvarlig personskada ska inte skärbladen vidröras.



Se upp med kringkastade eller flygande föremål. Håll alla åskådare, barn och husdjur på minst 15 meters avstånd från arbetsområdet.



Använd blyfri bensin avsedd för bilar med ett oktanvärde på 91 ((R+M)/2) eller mer.



Använd en syntetisk tvåtaktsolja för motorer med luftkyllning.



Blanda bränsle och smörjmedel för tvåtaktsmotorer noggrant innan du fyller på bränsle.



För att minska risken för skador ska kontakt med varma ytor undvikas.



Tryck på primerknappen 10 gånger.



Ställ in chokespaken i "FULL"-läge.



Ställ in chokespaken i "HALF"-läge.



Ställ chokespaken i "RUN"-läge.



Låt produkten gå på tomgång 10 sekunder.



Dra i startsnöret tills motorn startar.



Sätt switchen i "I"-läget innan du försöker starta den.



Start av kall motor



Start av varm motor



För att rotera det vridbara handtaget, dra i spärren för utlösning av handtagsvridning. Vrid handtaget åt höger eller vänster och släpp spärren för utlösning av handtagsvridning. Fortsätt rotera det vridbara handtaget tills det låser i en position på 45° eller 90°.



Tryck på avtryckarlåset och gasavtryckaren.



Detta verktyg uppfyller alla standarder i de EU-länder där det kan köpas.



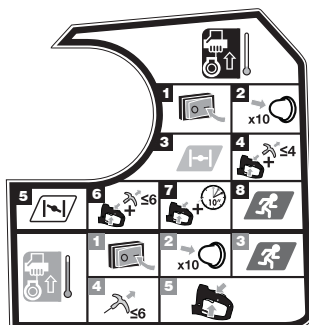
EurAsian överensstämmelsesymbol



Ukrainskt märke för överensstämmelse






Garanterad ljudnivå är 105 dB




NOTERA: Placea trimmern på plan mark och se till att inga föremål eller hinder finns i omgivningen som skulle kunna komma i kontakt med knivbladen.

För att starta en kall motor:

1. Ställ in på/av-brytaren på läget "I".
2. Tryck på primerknappen 10 gånger.
NOTERA: Efter det 7:e trycket ska bränsle vara synligt i primerknappen. Om inte, fortsätt att trycka tills bränsle är synligt.
3. Ställ in choke-spaken på läget .
4. Tryck på avtryckarlåset och gasavtryckaren. Dra i startgreppet tills motorn försöker starta. Dra inte i startsnöret mer än 4 gånger.
5. Ställ in choke-spaken på läget .
6. Tryck på avtryckarlåset och gasavtryckaren. Dra i startsnöret tills motorn startar. Dra inte i startsnöret mer än 6 gånger.

7. Tryck på avtryckarlåset och gasavtryckaren. Låt produkten gå på tomgång 10 sekunder.
8. Ställ in choke-spaken på läget .

För att starta en varm motor:

1. Ställ in på/av-brytaren på läget "I".
2. Tryck på primerknappen 10 gånger.
NOTERA: Efter det 7:e trycket ska bränsle vara synligt i primerknappen. Om inte, fortsätt att trycka tills bränsle är synligt.
3. Ställ in choke-spaken på läget .
4. Håll och kläm fast det vridbara handtaget, gasen och spärren för gasen ordentligt med vänster hand. Dra i startsnöret tills motorn startar. Dra inte i startsnöret mer än 6 gånger.
5. Tryck på avtryckarlåset och gasavtryckaren.

SYMBOLER I MANUALEN



Delar och utrustning säljs separat



Notera



Varning



Rök inte när du blandar bränsle eller fyller på bränsletanken.



Brandrisk.



För att stoppa produkten, tryck ned och håll in I/O-brytaren i positionen "O".

Följande signalord och betydelser är tänkta att förklara de olika risknivåerna som är associerade med denna produkt.

FARA

Indikerar en överhängande farlig situation som kan, om den inte undviks, resultera i dödsfall eller allvarlig skada.

VARNING

Indikerar en potentiellt farlig situation som kan, om den inte undviks, resultera i dödsfall eller allvarlig skada.

PÅMINNELSE

Indikerar en potentiellt farlig situation som kan, om den inte undviks, resultera i mindre eller medelstora skador.

PÅMINNELSE

Utan säkerhetssymbol

Visar på en situation som kan orsaka skada på egendom.

UNDERHÅLLSSCHEMA



	Före varje användning	Efter 1:a månaden eller 20 timmars drift	Var 3:e månad eller 50 timmars drift	Var 6:e månad eller 100 timmars drift	Varje år eller efter 300 timmars drift
Kontrollera motorsmörjmedel	■				
Byt motorsmörjmedel		■		■	
Kontrollera luftfilter	■				
Rengör luftfiltret.			■		
Byta luftfilter					■
Kontrollera/justera tändstift				■	
By tut bränslefilter					■
Kontrollera/Justera tomgångsvarvtalet					■
Rengör gnistfångaren.			■		
Ersätt med en ny gnistfångare.					■
Kontrollera /Justera ventilspel ¹					■
Rengör bränsletank och filter ¹				■	
Kontrollera bränsleslangen	■				
Inspektera bränslefiltret	■				
By tut bränslefilter					■
Kontrollera alla slangkopplingar	■				
Inspektera bränsletankens ångventil (om sådan finns)	■				
Inspektera kolbehållare (endast modeller med förgasare)	■				

1. Dessa poster bör endast utföras av en auktoriserad serviceverkstad.

ANVISNINGAR:

- Underhåll bör utföras oftare när produkten används i dammiga områden.
- När produkten har uppnått de maximala driftsiffror som anges i tabellen skall underhåll fortfarande utföras i enlighet med de tids- eller timintervall som anges i denna bruksanvisning.

FELSÖKNING

Problem	Möjlig orsak	Lösning
Motorn startar inte.	Ingen gnista.	Kontrollera om en gnista finns. Avlägsna tändstiftet. Sätt tillbaka tändstiftslocket och placera tändstiftet på metallcylindern. Dra i startarvajern och kontrollera om det finns en gnista vid tändstiftets spets. Om ingen gnista finns, upprepa testet med ett nytt tändstift.
	Ingen bensin	Tryck på påfyllningsblåsan till blåsan fylls med bränsle. Om blåsan inte fylls är det primära bränsleförsörjningssystemet blockerat. Kontakta en serviceagent. Om påfyllningsblåsan fylls kan motorn ha översvämmats, fortsätt till nästa punkt.
	Motorn har flöddats för mycket.	Dra i starthandtaget 3 gånger med choke-spaken i läget  . Om motorn inte startar, ställ choke-spaken i läget  och upprepa den normala startproceduren. Upprepa med ett nytt tändstift, om motorn inte startar.
	Startrepet är för trögt.	Kontakta en serviceagent.
Motorn startar men vill inte accelerera.	Motorn behöver ungefär tre minuter för uppvärmning.	Låt motorn värmas upp helt och hållet. Om motorn inte accelererar efter tre minuter, kontakta en distributör med service.
Motorn startar men kan bara köras vid högt varvtal med halv choke.	Förgasaren behöver ställas in.	Kontakta en serviceagent.
Motorn når inte full hastighet och avger stora mängder rök	Smörjning-/bränsleblandningen är felaktig.	Använd nytt bränsle och korrekt blandning med tvåtaktsolja.
	Lufffiltret är smutsigt.	Rengör lufffiltret. Se Rengör lufffiltret i Underhållssektionen i denna manual.
	Gnistfångaren är smutsig.	Kontakta en serviceagent.
Motorn startar, körs och accelererar men går inte på tomgång.	Tomgångsskruven på karburatorn behöver justeras.	Kontakta en serviceagent.

Pensasleikkurin suunnittelussa on kiinnitetty erityistä huomiota turvallisuuteen, suorituskykyyn ja käyttövarmuuteen.

KÄYTTÖTARKOITUS

Bensiinkäyttöistä pensasleikkuria saavat käyttää vain aikuiset, jotka ovat lukeneet tässä käyttöohjeessa olevat ohjeet ja varoitukset ja ymmärtävät niiden sisällön ja joiden voidaan katsoa olevan vastuussa omista teoistaan.

Tuote on tarkoitettu ainoastaan ulkokäyttöön hyvin tuuletetuilla alueilla. Turvallisuuden varmistamiseksi tuotetta on ohjattava hallintakahvoilla kahdella kädellä.

Tuote on tarkoitettu kotikäyttöön. Se on tarkoitettu pensasaitojen ja pensaiden ja samankaltaisen kasvillisuuden leikkuuseen ja katkaisuun, joiden varsien ja oksien enimmäispaksuus on 28 mm. Setä tulee käyttää kuivassa, hyvin valaistussa ympäristössä.

Sillä EI saa leikata ruohoa, puita eikä oksia. Sitä ei saa käyttää muuhun tarkoitukseen kuin pensaiden trimmaukseen.

VAROITUS

Älä yritä käyttää tätä työkalua ennen, kuin olet lukenut ja ymmärtänyt tämän käyttäjän käsikirjan sisällön. Säilytä tämä käyttöohje ja tutki sitä säännöllisesti turvallisten työolosuhteiden takaamiseksi ja muiden mahdollisten käyttäjien opastamiseksi.

Säilytä nämä ohjeet.

YLEISET TURVALLISUUSVAROITUKSET

VAROITUS

Lue kaikki turvallisuusvaroitukset ja ohjeet. Varoitusten ja ohjeiden laiminlyönnistä voi seurata tulipalo ja/tai vakava loukkaantuminen. Säilytä nämä varoitukset ja ohjeet myöhempää tarvetta varten.

VALMISTELUT

VAROITUS

Tämä laite voi aiheuttaa vakavia vammoja. Lue huolella ohjeet laitteen asianmukaisesta käsittelystä, valmistelusta, huollosta, käynnistämisestä ja sammuttamisesta. Opi käyttämään kaikkia ohjaimia ja laitetta asianmukaisesti.

- Älä anna lasten tai kouluttamattomien henkilöiden käyttää tätä tuotetta.
- varo yläpuolisia sähköjohtoja
- Pidä kaikki sivulliset, lapset ja lemmikit vähintään 15 metrin päässä. Älä koskaan käytä laitetta, jos lähistöllä on ihmisiä, erityisesti lapsia, tai lemmikkejä.
- Älä pukeudu väliin vaatteisiin, kravattiin tai koruihin, jotka voivat juuttua liikkuviin osiin. Älä pukeudu väliin vaatteisiin tai koruihin; ne voivat juuttua liikkuviin osiin.

VAROITUS

Konetyökalun käyttö voi johtaa vieraiden esineiden sinkoutumiseen silmiin, mikä voi aiheuttaa vakavan silmävaurion. Pue suojalasit tai sivusuojukselliset turvalasit ja tarvittaessa täydellinen kasvosuojus ennen laitteen käyttämistä. Suosittelemme käytettäväksi kasvosuojusta silmälasien päällä tai sivusuojilla varustettuja vakiosuojalaseja.

- Konetta ei saa käyttää avojaloin eikä sandaalit tai muut kevyet jalkineet jalassa. Käytä liukesteisiä turvajalkineita, jotka suojaavat jalkoja ja parantavat jalansijaa luukkailla pinnoilla.

VAROITUS

Ole erittäin varovainen käsitellessäsi polttoaineita. Bensiini on herkästi syttyvää ja sen höyryt ovat myrkyllisiä ja räjähdysalttiita.

- Käytä ainoastaan bensiinille hyväksytyjä polttoainesäiliöitä.
- Lisää polttoainetta ennen koneen käynnistämistä. Älä koskaan irrota polttoainesäiliön korkkia tai lisää polttoainetta moottorin ollessa käynnissä tai kuuma.
- Älä tupakoi.
- Lisää polttoainetta aina ulkona. Älä koskaan lisää polttoainetta sisätiloissa tai huonosti ilmastoidussa paikassa. Pidä poissa syttymislähteiden, kipinöiden ja liekkien luota.
- Älä koskaan säilytä konetta sisätiloissa, joissa on syttymislähteitä, kuten kuumaa vettä tai ilmanlämmittimiä, vaatteiden kuivauslaitteita tai vastaavia, jos sen polttoainesäiliössä on polttoainetta.
- Pyyhi läikkynyt polttoaine pois laitteesta. Siirry 9 metrin (30 jalan) päähän täyttöpaikasta ennen moottorin käynnistämistä.
- Sulje polttoainesäiliöiden ja -astioiden korkit huolellisesti.
- Jos polttoainesäiliö tyhjenetään, tee se ulkona.
- Jos leikkuumeکانismi osuu vierasesineisiin tai jos laitteesta alkaa kuulua epätavallisia ääniä tai se alkaa tärinä, sammuta virtalähde ja anna laitteen pysähtyä. Irrota sytytystulpan kaapeli sytytystulpasta ja toimi seuraavasti:
 - tarkista vaurioiden varalta
 - tarkista ja vaihda tarvittaessa löystyneet osat.Vaihdeta tai korjauta kaikki vioittuneet osat osilla, joilla on vastaavat tekniset tiedot.

VAROITUS

Tämä tuote on käytössä meluisa. Käytä kuulosuojaimia pysyvän kuulovamman vaaran välttämiseksi.



VAROITUS

Käytä aina tavanomaisia tai sivusuojilla varustettuja suojalaseja kun käytät tätä työkalua. Tämän ohjeen laiminlyönti voi aiheuttaa roskien sinkoutumista silmiin käytön aikana ja aiheuttaa täten vakavia silmävammoja.

- Moottorin pysäytys hätätilanteessa: Paina on/off -kytkin off-asentoon (O).

KÄYTTÖ

- Sammuta aina moottori, irrota sytytystulpasta hattu, anna jäähtyä ja varmista, että kaikki liikkuvat osat ovat täysin pysähtyneitä ennen:
 - Polttoaineen lisääminen
 - työasennon tai takakahvan asennon säätämistä
 - tuotteen jättäminen valvomatta
 - tuotteen puhdistaminen
 - ennen lisälaitteiden vaihtamista
 - tukosten selvittäminen
 - vaurioiden tarkistaminen esineeseen osumisen jälkeen
 - vaurioiden tarkistaminen, jos tuote alkaa täristä epänormaalisti
 - huolto
- Käynnistä kone vasta, kun pensasleikkuri on turvallisessa työskentelyasennossa. Valmistaja suosittelee laitteen sijoittamista maahan ennen sen käynnistämistä niin, etteivät terät voi koskettaa mitään.
- Älä kurkottele tai seiso epävakaalla alustalla pensasleikkurin käytön aikana. Pysytele tukevasti jaloillasi äläkä kurkota käsivartta liian kauas. Valmistaja ei suosittele tuotteen käyttöä tikkailla. Jos trimmausta on suoritettava korkeammalla, käytä jatkolaitetta.
- Älä käytä laitetta, jos leikkuuosa on voittunut tai pahastu kulunut.
- Jotta tulipalon vaara pieneneisi, pidä moottori ja äänenvaimennin puhtaana roskista, lehdistä ja ylimääräisestä voiteluaineesta.
- Tarkista aina, että kaikki kahvat ja suojukset ovat paikoillaan ennen koneen käyttöä. Älä koskaan yritä käyttää puutteellista tai luvottomasti muokattua tuotetta.
- Käytä kaksikahvaista konetta aina kahdella kädellä.
- Ole aina tietoinen ympäristöstäsi ja varo vaaroja, joita et ehkä kuule koneen aiheuttaman metelin takia.

MUUT VAROITUKSET

- Älä käytä moottoria suljetussa tilassa, mihin voi kerääntyä vaarallisia häikäshöyryjä. Hiilimonoksidi, joka on väritön, hajuton ja äärimmäisen vaarallinen kaasu, voi aiheuttaa tajuttomuuden tai kuoleman..
- Älä käytä tätä tuotetta väsyneenä, sairaana tai huumeiden, alkoholin tai lääkkeiden vaikutuksen alaisena.
- Varmista aina ennen käyttöä, että kaikki hallinta- ja turvallisuuslaitteet toimivat asianmukaisesti. Älä käytä tuotetta, jos Off-kytkin ei sammuta moottoria. Anna valtuutetun ryobi huoltamon vaihtaa viallinen painonappi.

- Tarkasta laite aina ennen käyttöä. Tarkista, onko laitteessa löysiä kiinnikkeitä, polttoainevuotoja tms. Ei saa käyttää, jos polttoainetta vuotaa tai jos kahvat ja suojukset eivät ole turvallisesti paikallaan eivätkä täysin toimintakäykyisiä.
- Sido pitkät hiukset hartioiden yläpuolelle, jotta ne eivät pääse tarttumaan liikkuviin osiin.
- Älä käytä tätä työkalua huonosti valaistussa paikassa. Käyttäjällä on oltava esteetön näkyvyys työalueelle, jotta hän näkee mahdolliset vaaratekijät.
- Siivoa työalue ennen jokaista käyttöä. Poista kaikki vieraat esineet, kuten pylvyät, rautalangat ja narut, jotka voivat vaurioittaa liikkuvia osia tai teriä tai juuttua niihin.
- Pidä jatkuvasti silmäsi auki sen varalta, että trimmattavan pensasaidan tai pensaan takana tai sisällä on joku henkilö tai eläin. Samankaltaisten laitteiden käyttö lähetyvillä kasvattaa kuulovaurion riskiä sekä vaaraa, että joku muu tulee työalueellesi.
- Varmista aina, että ruuvit ja mutterit ovat tiukasti kiinni, jotta tuote olisi aina turvallinen ja käyttövalmis. Valtuutetun huoltopisteen on korjattava tai vaihdettava vioittuneet osat asianmukaisesti.

VAROITUS

Kun kaasuliipaisin vapautetaan ja moottori käy tyhjäkäynnillä, leikkuuvälineen tai terän ei saa liikkua. Jos se liikkuu yhä, se voi aiheuttaa käyttäjän loukkaantumisen. Älä käytä laitetta. Palauta se valtuutettuun huoltoon ammattilaisen säädettäväksi.

- Älä kosketa laitetta äänenvaimentimen tai moottorin läheltä, sillä nämä osat kuumenevat käytössä.
- Älä muokkaa tuotetta millään tapaa.
- Älä pakota pensasleikkuria paksun kasvuston läpi. Tämä voi saada terän tarttumaan ja hidastumaan. Jos terät hidastuvat, hidasta tahtia.
- Älä yritä leikata runkoja tai oksia, jotka ovat paksampia kuin 28 mm tai selvästi liian suuria leikkuuterälle. Trimmaa paksimmat varret käsikäyttöisellä sahalla tai karsintasahalla.
- Käynnissä oleva tai kuuma kone ja äänenvaimennin on pidettävä etäällä herkästi syttyvistä materiaaleista tulipalon vaaran ehkäisemiseksi.

KULJETUS JA VARASTOITAESSA

- Sammuta laite ja anna sen jäähtyä ennen varastointia ja kuljetusta.
- Puhdista laitteesta kaikki vieraat materiaalit.
- Peitä terä teräsuojuksella (tuppi).
- Tyhjennä kaikki polttoaine säiliöstä bensiiniä varten hyväksytyyn astiaan. Muista asettaa polttoainesäiliön korkki paikalleen ja kiristä se huolellisesti.
- Anna moottorin käydä, kunnes se pysähtyy. Tämä poistaa kaiken polttoaineen, joka voi väljähtyä ja jättää polttoainejärjestelmään lakkaa ja kumia.
- Säilytä konetta viileässä, kuivassa ja hyvin ilmastoidussa paikassa, jossa se on lasten ulottumattomissa ja poissa





syttymislähteiden luota.

- Pidä poissa syövyttäviltä aineilta kuten puutarhakemikaaleilta ja jäänsulatussuolalta.
- Älä säilytä ulkona.
- Kiinnitä tuote kuljetettaessa siten, että se ei pääse liikkumaan tai kaatumaan, jotta välttyä loukkaantumisilta ja vaurioilta.
- Älä koskaan kannna tai kuljeta tuotetta sen ollessa käynnissä.
- Noudata kaikkia kansallisia ja paikallisia bensiinin turvallista säilytystä ja käsittelyä koskevia määräyksiä.

Lyhytaikainen säilytys (alle 1 kuukausi)

- Sammuta moottori ja anna sen jäähtyä ennen varastointia.
- Peitä terä teräsuojuksella (tuppi).
- Säilytä konetta viileässä, kuivassa ja hyvin ilmastoidussa paikassa, jossa se on lasten ulottumattomissa ja poissa syttymislähteiden luota.
- Pidä poissa syövyttäviltä aineilta kuten puutarhakemikaaleilta ja jäänsulatussuolalta.
- Älä säilytä ulkona.

HUOLTO

⚠ VAROITUS

Huolto kaipaa suurta huolellisuutta ja hyvää työkalun tuntemusta: Se on annettava pätevän teknikon tehtäväksi. Suosittelemme, että viet työkalun korjattavaksi lähimpään valtuutettuun liikkeeseen. Käytä vaihdossa yksinomaan alkuperäisiä varaosia.

⚠ VAROITUS

Terät ovat teräviä. Käytä teräkokooppaavaa käsitellessäsi luisumattomia raskaan käytön suojakäsineitä. Älä aseta kättä tai sormia terien väliin tai mihinkään, missä ne voivat joutua puristuksiin tai leikkaantua. Älä koskaan kosketa teriä tai huolla konetta, jos syytystulpan johto on liitettyinä.

⚠ VAROITUS

Älä koskaan päästä jarrunesteitä, bensiiniä, öljytuotteita, läpäiseviä öljyjä tms. kosketuksiin muoviosien kanssa. Kemikaalit voivat vioittaa, heikentää ja tuhota muovia, mikä saattaa aiheuttaa vakavan loukkaantumisen.

⚠ VAROITUS

Älä yritä tehdä muutoksia työkaluun tai liittää siihen lisävarusteita, joita ei suositella käytettäväksi tämän tuotteen kanssa. Jokainen sellainen muutos tai korjaus on väärinkäyttöä ja voi johtaa vaarallisiin, vakaviin loukkaantumisiin johtaviin tilanteisiin.

- Voit tehdä tässä käyttöoppaassa kuvattuja säätöjä ja korjauksia. Jos laite vaatii muuta huoltoa, ota yhteys valtuutettuun huoltopisteeseen.

- Epäasianmukaisesta huollosta voi syntyä ylimääräisiä hiilijäämiä, mikä heikentää suorituskykyä ja saa äänenvaimentimesta vuotamaan mustaa öljyä.
- Puhdista tuotteet runko ja kahvat pehmeällä, kuivalla liinalla jokaisen käyttökerran jälkeen.
- Puhdista roskat jokaisen käyttökerran jälkeen teristä kovalla harjalla ja levitä sen jälkeen huolella ruosteenestovoiteluainetta ennen teränsuojuksen kiinnittämistä. Valmistaja suosittelee, että levität ruosteenestoainetta ja voiteluainetta suihkeena, jotta ne leviäisivät tasaisesti ja jotta välttyisit teriin koskettamisesta aiheutuvasta loukkaantumisvaarasta. Lisätietoja asianmukaisesta suihkeesta saa paikallisesta valtuutetusta huollosta.
- Terät kannattaa tarvittaessa voidella kevyesti ennen käyttöä yllä kuvatulla tavalla.
- Varmista aina, että ruuvit ja mutterit ovat tiukasti kiinni, jotta tuote olisi aina turvallinen ja käyttövalmis. Valtuutetun huoltopisteen on korjattava tai vaihdettava voittuneet osat asianmukaisesti.

TERIEN VAIHTAMINEN

- Tarkista terät säännöllisesti vaurioiden ja kulumisen varalta. Jos terissä on vaurioita, ne on korjautettava tai vaihdattava valtuutetussa huoltooliikkeessä.

TUKOKSEN POISTAMINEN

- Sammuta kone ja odota, että kaikki liikkuvat osat pysähtyvät.
- Irrota syytystulpan kaapeli.
- Terät ovat teräviä. Käytä tukevia käsineitä terien lähellä työskennellessä.
- Poista varoen tukos tai liika terien tai muiden liikkuvien osien ympäriltä.

KÄYTTÖÖN LIITTYVÄT RISKIT

Vaikka tuotetta käytettäisiin ohjeiden mukaisesti, ei ole mahdollista täysin eliminoida tiettyjä käyttöön liittyviä riskitekijöitä. Käytössä voi aiheutua seuraavia vaaroja, ja käyttäjän tulee kiinnittää erityistä huomiota niiden välttämiseen:

- Leikkuulaitteeseen koskettamisesta aiheutunut vamma
 - Varmista, että teräsuojukset kiinnitetään aina, kun tuotteen käyttö päätetään. Pidä kädet ja jalat aina kaukana teristä.
- Tärinän aiheuttama vamma.
 - Käytä aina työhön sopivaa laitetta, käytä nimettyjä kahvoja ja rajoita työaikaa sekä altistumista. Katso tämän oppaan osa "Riskien vähentäminen".
- Melulle altistumisesta aiheutunut kuulovamma.
 - Käytä suojalaseja ja rajoita altistumista.
- Silmävamma sinkoilevien roskien takia.
 - Käytä aina suojalaseja.
- Putoavien ja kaatuvien esineiden aiheuttamat vaarat.
 - Suojakypärää on käytettävä alueilla, joissa on putoavien kappaleiden vaara.



RISKIEN VÄHENTÄMINEN

Raporttien mukaan käsikäyttöisten laitteiden tärinä voi joidenkin kohdalla myötävaikuttaa Raynaud's Syndromen (Raynauudin oireen) ilmenemiseen. Oireita ovat pistely, turtuus ja sormien kalpeneminen, yleensä kylmässä ilmassa. Perinnölliset tekijät, kylmyys ja kosteus, ruokavalio, tupakointi sekä työtavat voivat kaikki myötävaikuttaa näiden oireiden ilmenemiseen. Käyttäjää voi ehkäistä tärinän aiheuttamia vaikutuksia seuraavasti:

- Pidä itsesi lämpimänä kylmällä säällä. Käytä tuotteen käytön aikana käsineitä, jotta kätesi ja ranteesi pysyvät lämpöisinä. Raporttien mukaan kylmä ilma on tärkeä tekijä Raynaud's Syndromen (Raunaudin oireiden) ilmenemisessä.
- Harjoita kunkin käyttöjakson jälkeen liikuntaa, jotta verenkierto lisääntyy.
- Pidä työn aikana säännöllisesti taukoja. Rajoita päivittaisen tärinän määrä.

Jos mitään yllä mainittuja oireita ilmenee, lopeta heti laitteen käyttö ja kerro oireista lääkärille.

⚠ VAROITUS




Laitteen pitkittynyt käyttö voi aiheuttaa tai vaikeuttaa vammoja. Kun käytät mitä tahansa laitetta pitkiä aikoja, muista pitää säännöllisiä taukoja.










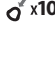







TUNNE TUOTTEESI

Katso sivu 191.

1. Rikastimen luisti
2. Ryppytinnuppi
3. Pantalla protectora
4. Etukädensija
5. Sytytystulpan suojus
6. Käynnistyskahva
7. Terä
8. Ilmansuodattimen kansi
9. Ilmanottokotelon nuppi
10. Polttoainesäiliön korkki
11. Liipaisinlukko pyörivälle kahvalle
12. Kaasuliipaisin
13. Kääntyvä kahva
14. Kaasuliipaisimen lukko
15. Käynnistyksen painonappi
16. Terän suojus

TUOTTEESSA OLEVAT SYMBOLIT

-  Varoitus
-  Onnettomuusvaarojen vähentämiseksi tämän käsikirjan sisältö on ehdottomasti luettava ja ymmärrettävä ennen työkalun käyttöä.
-  Käytä kuulosuojaimia

-  Käytä silmäsuojaimia
-  Pitele pensasleikkuria aina kaksin käsin sitä käyttäessäsi.
-  Käytä luisumattomia raskaan käytön käsineitä.
-  Älä kosketa teriin, jotta vältty vakavalta loukkaantumiselta.
-  Varo sinkoutuneita ja muita lentäviä esineitä. Pidä kaikki sivulliset vähintään 15 metrin päässä toiminta-alueelta – erityisesti lapset ja lemmikit.
-  Käytä lyijytöntä autoille tarkoitettua, vähintään 91 ([R+M]/2) oktaanin bensiiniä.
-  Utilice un aceite de síntesis de dos tiempos para motores de enfriamiento de aire.
-  Sekoita polttoaine ja 2-tahtivoiteluaine perusteellisesti ennen tankkausta.
-  Vähennä loukkaantumisen ja rikkoutumisen riskiä olemalla koskettamatta mitään kuumaa pintaa.
-  Paina pumppauspalloa 10 kertaa.
-  Aseta rikastinvipu asentoon "FULL".
-  Aseta rikastinvipu asentoon "HALF".
-  Aseta rikastinvipu asentoon "Run".
-  Anna tuotteen käydä tyhjäkäynnillä 10 sekuntia.
-  Nykäise käynnistimen kahvasta siten, että moottori käynnistyy.
-  Kylmän moottorin käynnistäminen
-  Lämpimän moottorin käynnistäminen



Muuta käännettävän kahvan asentoa vetämällä kahvan käännön lukitsimesta. Käännä kahvaa oikealle tai vasemmalle ja vapauta kahvan käännön lukitsin. Käännä kahvaa, kunnes se lukittuu 45° tai 90° asteen asentoon.



Paina liipaisimen lukitusta ja kaasutinliipaisinta.



Aseta kytkin asentoon "I" ennen kuin yrität käynnistää yksikön.



Tämä työkalu on sen EU-maan kaikkien sääntömääräisten standardien mukainen, josta se on ostettu.



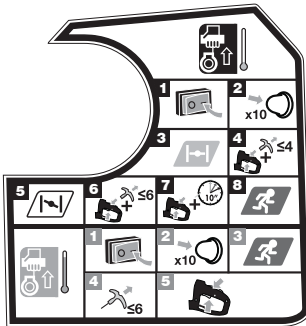
EurAsian-vaatimustenmukaisuusmerkki



Ukrainalainen säädöstenmukaisuusmerkintä



Taattu äänenteho on 105 dB.



HUOMAUTUS: Aseta leikkuri tasaiselle alustalle ja tarkista, että sen lähellä ei ole mitään esineitä tai esteitä, jotka voisivat osua teriin.

Kylmän moottorin käynnistäminen:

1. Aseta virtakytkin asentoon "I".
2. Paina pumppauspalloa 10 kertaa.
HUOMAUTUS: Seitsemännen painalluksen jälkeen polttoaineen tulisi näkyä pumppauspallossa.--(no "7") Jos näin ei ole, jatka painelua kunnes polttoaine tulee näkyviin.
3. Aseta kuristinvipu asentoon I↔.
4. Paina liipaisimen lukitusta ja kaasutinliipaisinta. Nyi käynnistimen kahvaa, kunnes moottori yrittää käynnistyä. Älä vedä käynnistimen kahvaa useammin kuin neljä kertaa.--(no "4")
5. Aseta kuristinvipu asentoon I↔.
6. Paina liipaisimen lukitusta ja kaasutinliipaisinta. Nykäise käynnistimen kahvasta siten, että moottori käynnistyy.

Älä vedä käynnistimen kahvaa useammin kuin neljä kertaa.--(no "6")

7. Paina liipaisimen lukitusta ja kaasutinliipaisinta. Anna tuotteen käydä tyhjäkäynnillä 10 sekuntia.
8. Aseta kuristinvipu asentoon ↗.

Lämpimän moottorin käynnistäminen:

1. Aseta virtakytkin asentoon "I".
2. Paina pumppauspalloa 10 kertaa.
HUOMAUTUS: Seitsemännen painalluksen jälkeen polttoaineen tulisi näkyä pumppauspallossa.--(no "7") Jos näin ei ole, jatka painelua kunnes polttoaine tulee näkyviin.
3. Aseta kuristinvipu asentoon ↗.
4. Pidä ja purista kääntyvää kahvaa, liipaisinta ja liipaisimen lukitsinta lujasti vasemmalla kädellä. Nykäise käynnistimen kahvasta siten, että moottori käynnistyy. Älä vedä käynnistimen kahvaa useammin kuin neljä kertaa.--(no "6")
5. Paina liipaisimen lukitusta ja kaasutinliipaisinta.

TÄMÄN KÄSIKIRJAN SYMBOLIT



Osat ja lisävarusteet on hankittava erikseen



Huom



Varoitus



Älä tupakoi sekoittaessasi polttoainetta tai täyttäessäsi polttoainesäiliötä.



Palovaara.



Pysäytä kone, paina ja pidä I/O-kytkin "O"-asennossa.

Seuraavat signaalisanat ja merkitykset on tarkoitettu selittämään tähän tuotteeseen liittyviä riskin tasoja.

⚠ VAARA

Ilmaisee välitöntä vaaratilannetta, joka ellei sitä vältetä, johtaa kuolemaan tai vakavaan loukkaantumiseen.

⚠ VAROITUS

Ilmaisee potentiaalisen vaaratilanteen, joka ellei sitä vältetä, johtaa kuolemaan tai vakavaan loukkaantumiseen.

⚠ HUOMAUTUS

Ilmaisee potentiaalisen vaaratilanteen, joka ellei sitä vältetä, saattaa johtaa pienempään tai keskivaikemaan loukkaantumiseen.

HUOMAUTUS

Ilman turvallisuusvaroitussymbolia Ilmoittaa tilanteesta, jossa omaisuutta saattaa vaurioitua.

POLTTOAINESEKOITUKSEN MÄÄRÄ



	Ennen jokaista käyttöä	Ensimmäisen kuukauden tai 20 käyttötunnin jälkeen	Joka 3. kuukausi tai 50 käyttötunnin jälkeen	Joka 6. kuukausi tai 100 käyttötunnin jälkeen	Kerran vuodessa tai 300 käyttötunnin jälkeen
Tarkista moottoriöljy	■				
Vaihda moottoriöljy		■		■	
Tarkista ilmansuodatin	■				
Puhdista ilmansuodatin.			■		
Vaihda ilmansuodatin					■
Tarkista/säädä sytytystulppa				■	
Vaihda polttoaineensuodatin uuteen					■
Tarkista/säädä joutokäynnin nopeus					■
Puhdista kipinöitä pidättävä verkko.			■		
Vaihda kipinänsammutin uuteen.					■
Tarkista/säädä venttiilin vällys ¹					■
Puhdista polttoainesäiliö ja suodatin ¹				■	
Tarkista polttoaineletku	■				
Tarkista polttoaineensuodatin	■				
Vaihda polttoaineensuodatin uuteen					■
Tarkasta kaikki letkuliitännät	■				
Tarkasta polttoainesäiliön höyryaukko (jos varusteena)	■				
Tarkasta hiilisäiliö (vain kaasutinmallit)	■				

1. Vain valtuutetun huoltoliikkeen tulisi hoitaa nämä kohdat.

HUOMAUTUKSET:

- Joslaitetta käytetään pölyisessä ympäristössä, se vaatii huoltoa useammin.
- Kun laite on ylittänyt taulukossa määritetyn enimmäismäärän, huolto tulee silti tehdä tässä mainittujen aikavälien tai tuntimäärien mukaisesti.

VIANHAKU

Ongelma	Mahdollinen syy	Ratkaisu
Moottori ei käynnisty	Ei kipinää.	Tarkasta, ilmeneekö kipinää. Poista sytytystulppa. Kiinnitä sytytystulpan hattu takaisin ja sijoita sytytystulppa metallierion päälle. Vedä käynnistinköydestä ja katso, näkyykö sytytystulpan kärjessä kipinää. Ellei kipinää ole, toista koe uudella sytytystulpalla.
	Ei polttoainetta	Paina rikastimen kupua, kunnes kupu on täynnä polttoainetta. Jos kupu ei täyty, polttoaineen pääsyötöjärjestelmä on tukossa. Ota yhteys huoltoon. Jos rikastimen kupu täyttyy, moottori saattaa olla kastunut, jatka seuraavasta kohdasta.
	Moottorissa on liikaa polttoainetta.	Vedä käynnistinkahvasta 3 kertaa kuristinvipun ollessa asennossa  . Jos puhallin ei käynnisty, aseta kuristinvipu asentoon  ja toista normaali käynnistysprosessi. Jos moottori ei vielä käynnisty, toista toimenpide uudella sytytystulpalla.
	Käynnistysköyttä on vaikea vetää.	Ota yhteys huoltoon.
Moottori käynnistyy, mutta ei kiihdy.	Moottori tarvitsee noin kolme minuuttia lämmitäkseen.	Anna moottorin lämmetä täydellisesti. Jos moottorin kierroksia ei saa nopeammiksi kolmen minuutin jälkeen, ota yhteyttä huoltoilikkeeseen.
Moottori käynnistyy, mutta käy vain korkeilla kierroksilla rikastimen ollessa puolessa välissä.	Kaasutin tarvitsee säätöä.	Ota yhteys huoltoon.
Moottori ei pääse täyteen nopeuteen ja/tai savuttaa normaalia enemmän.	Bensiini/öljysekoite on väärä.	Käytä tuoretta polttoainetta ja oikeaa 2-tahtimoottoriöljyn seosta.
	Ilmansuodatin on likainen.	Puhdista ilmansuodatin. Katso tämän käsikirjan kohdasta "Ilmansuodattimen puhdistaminen".
	Kipinöitä pidättävä verkko on likainen.	Ota yhteys huoltoon.
Moottori käynnistyy, käy ja kiihtyy, mutta ei käy tyhjäkäynnillä.	Kaasuttimen joutokäyntiruuvia on säädettävä.	Ota yhteys huoltoon.

Sikkerheten, ytelsen og påliteligheten har hatt topp prioritet under konstruksjonen av den bensindrevne hekksaksen.

TILTENKT BRUK

Den skal bare brukes av voksne som har lest og forstått instruksjonene og advarslene i denne håndboken, og som kan holdes ansvarlige for sine handlinger.

Produktet er kun tiltenkt til utendørs bruk på et godt ventilert sted. Av sikkerhetshensyn må produktet betjenes på forsvarlig vis med to hender.

Dette produktet er konstruert for hjemmebruk. Den er beregnet til klipping og trimming av hekker, busker og lignende vegetasjon med stalker eller kvister som er mindre enn 28 mm tykke. Det må brukes under tørre og godt opplyste forhold.

Det er IKKE ment for klipping av gress, kapping av grener eller felling av trær. Det må ikke brukes for andre formål enn klipping/trimming av hekker/kratt.

⚠ ADVARSEL

For å unngå alvorlig personskade, ikke gjør forsøk på å bruke dette produktet før du har lest grundig gjennom og forstått brukermanualen. Ta vare på brukermanualen og les den ofte for å sikre trygg drift og instruer andre som kan komme til å bruke verktøyet.

Ta vare på disse instruksjonene.

GENERELLE SIKKERHETSADVARSLER

⚠ ADVARSEL

Les alle sikkerhetsadvarslene og alle instruksjonene. Å unnlate å følge advarslene og instruksjonene kan føre til elektrisk støt, brann og alvorlig personskade. Ta vare på disse advarslene og instruksjonene for å se i dem senere.

KLARGJØRING

⚠ ADVARSEL

Denne maskinen kan skape alvorlig personskade. Les instruksjonene nøye for korrekt bruk, klargjøring, vedlikehold, startung og stopping av maskinen. Gjør deg kjent med alle kontrollene og korrekt bruk av produktet.

- Ikke la barn eller ukundige bruke dette utstyret.
- vær oppmerksom på elektriske kraftledninger i luften og potensiell fare ved kontakt
- Hold andre mennesker på minst 15 meters avstand. Ikke bruk maskinen dersom andre personer - og spesielt barn - eller dyr er i nærheten.
- Kle deg riktig. Ha ikke på løse klær eller smykker; de kan sette seg fast i bevegende deler.

⚠ ADVARSEL

Bruk av motorisert redskap kan føre til at fremmedlegemer blir slengt mot øynene dine, noe som kan føre til alvorlig øyeskade. Bruk alltid vernebriller, eventuelt med sidebeskyttelse, når du bruker utstyret. Bruk ansiktsskjerm hvis det er behov for det. Vi anbefaler Wide Vision Safety Mask for bruk over vernebriller eller bruk vernebriller.

- Ikke bruk utstyret med nakne føtter eller bare iført sandaler eller lignende lett fotføy. Bruk sklisikre vernesko som vil beskytte føttene og gi deg bedre fotfeste på glatt underlag.

⚠ ADVARSEL

Vis ekstra omtanke ved behandling av drivstoff. Bensin er brannfarlig, og bensindampene er giftige og eksplosive.

- Bruk kun drivstoffbeholdere som er godkjent for bensin.
- Fyll på med drivstoff før du starter motoren. Ta aldri lokket av bensintanken eller fyll drivstoff mens motoren er i gang eller er varm.
- Du må ikke røyke.
- Fyll alltid på drivstoff mens du er utendørs. Fyll aldri på drivstoff innendørs eller i et dårlig ventilert område. Hold utstyret vekk fra antennelseskilder, gnister og flammer.
- Når det er drivstoff i drivstofftanken, må produktet aldri oppbevares inne i en bygning i nærheten av tennkilder som varmtvannsberedere eller varmeovner, tørketromler eller liknende.
- Tørk opp alt brennstoffsøl på redskapet. Flytt 9 m vekk fra påfyllingsstedet for drivstoff før motoren startes.
- Reinstaller alle lokk på drivstofftank og beholder så de sitter godt fast.
- Hvis drivstofftanken skal tømmes, må det skje utendørs.
- Hvis skjæremekanismen skulle treffe et fremmedlegeme eller maskinen begynner å avgi uvanlige lyder eller vibrasjoner, må kraftkilden slås av slik at maskinen stanser. Fjern tennpluggkabelen fra tennpluggen og ta følgende trinn:
 - inspiser for skader
 - Kontroller med hensyn til og skift ut eventuelt løse deler.Sørg for å reparere eller skifte skadede deler med deler av tilsvarende spesifikasjoner.

⚠ ADVARSEL

Dette produktet lager støy når det brukes. Bruk alltid hørselsvern for å redusere risikoen for varige hørselsskader.

ADVARSEL

Bruk alltid sikkerhetsbriller eller vernebriller med sidebeskyttelse når du bruker verktøy. Hvis denne forskriften ikke overholdes, kan det forårsake utslynging av fremmedlegemer i øynene dine og alvorlige øyenskader.

- Slik stopper du motoren i en nødsituasjon: Trykk på/ av-bryteren til av-posisjon (O).

BETJENING

- Stopp motoren, kople tennpluggetten fra tennpluggen, la den kjøle seg ned og sørg for at alle bevegelige deler har stoppet helt før du gjør følgende:
 - Etterfylling av brennstoff
 - Justering av driftsstillingen eller posisjonen til det bakre håndtaket
 - etterlater produktet uten tilsyn
 - rengjøring av produktet
 - bytte tilbehør
 - fjerne blokkeringer
 - se etter skader dersom verktøyet har truffet en gjenstand
 - se etter skader dersom produktet begynner å vibrere kraftig
 - gjennomfører vedlikehold
- Motoren må bare startes når hekksaksen holdes i en forsvarlig arbeidsstilling. Produsenten anbefaler at produktet plasseres på bakken slik at tennene ikke kan komme i kontakt med noe før du starter motoren.
- Når du bruker hekksaksen, må du alltid passe på at du ikke strekker deg for mye eller står på et ustabil underlag. Sørg for godt fotfeste og god balanse til enhver tid. Produsenten anbefaler ikke bruk av stiger, trapper eller lignende. Hvis du trenger å klippe høyere, bruk et forlengelsesverktøy.
- Ikke bruk maskinen med skadet eller meget slitt klippeutstyr.
- For å redusere brannfaren, hold motoren og demperen fri for smuss, blader og overflødig smøremiddel.
- Påse at alle håndtak og beskyttelsesutstyr er montert før du tar maskinen i bruk. Forsøk aldri å bruke et ufullstendig produkt eller et produkt med en uautorisert modifisering
- Bruk alltid to hender til å betjene en maskin utstyrt med to håndtak.
- Gjør deg kjent med omgivelsene og vær på vakt overfor mulige farer som du kanskje ikke legger merke til på grunn av støyen fra maskinen.

YTTERLIGERE ADVARSEL

- Ikke bruk motoren i lukkede rom når det kan samles opp farlige CO-gasser. Karbonmonoksid er en fargeløs, luktfri og ekstremt farlig gass som kan forårsake bevisstløshet eller død.
- Ikke bruk utstyret når du er sliten, syk eller under påvirkning av alkohol, narkotika eller medisiner som kan påvirke reaksjonsevne og dømmekraft.

- Kontroller før hver bruk at alle styreenheter og sikkerhetsanordninger fungerer som de skal. Ikke bruk dette produktet hvis "av" knappen ikke stanser motoren. Sørg for at ødelagte brytere skiftes av et autorisert servicesenter.
- Sjekk maskinen før hver bruk. Sjekk for løse fester, drivstofflekkasjer osv. Ikke bruk utstyret hvis det lekker drivstoff og heller ikke når håndtakene og beskyttelsene ikke er sikre eller fungerer som de skal.
- Sørg for at langt hår ikke når lenger ned en til skuldrene for å hindre at det kan fanges opp av roterende deler.
- Ikke bruk i dårlig lys. Operatøren må ha klar sikt over arbeidsfeltet for å identifisere potensielle farer.
- Klargjør arbeidsstedet før hver gangs bruk. Fjern alle fremmedlegemer, som stolper, ståltråd og strenger, som kan skade eller bli viklet inn i de bevegelige delene og i skjæredeler.
- Sjekk konstant at det ikke personer eller dyr oppholder seg bak eller i hekken eller busken du skal klippe. Bruk av lignende utstyr i nærheten øker faren for både hørselskade og muligheten for at andre kommer inn i din arbeidssone.
- Kontroller all mutter, bolter og skruer med jevne mellomrom at de er skrudd fast for å sikre at produktet er i driftssikker stand. Enhver del som er skadet må repareres eller skiftes ut ved et autorisert serviceverksted.

ADVARSEL

Når gassen slippes opp og motoren starter å gå i tomgang, skal kutteutstyr og blader ikke være i bevegelse. Hvis det fortsetter å bevege seg er det stor risiko for alvorlig skade på operatøren. Ikke bruk maskinen. Lever den til et autorisert servicesenter for en justering av en fagperson.

- Ikke berør områdene rundt støydemper og motor på enheten idet disse kan bli meget varme under bruk.
- Ikke endre produktet på noen måte.
- Ikke tving hekksaksen gjennom tette kjerr. Dette kan føre til at bladet blokkeres og saktner hastigheten. Hvis hastigheten på bladet synker, reduser klippehastigheten.
- Ikke gjør forsøk på å klippe stammer eller grener som er tykkere enn 28 mm, eller de som åpenbart er for tykke til å bli matet inn mellom klippebladene. Bruk en manuell håndsgag eller grensgag for å kappe tykke stammer eller grener.
- Når motoren og lydtemperen kjører eller er varme, må de holdes godt unna brennbar materiale for å redusere risikoen for brann.

TRANSPORT OG LAGRING

- Stans maskinen å la den kjøle ned før lagring eller transport.
- Fjern alle fremmedelementer fra produktet.
- Stikk bladet i sliren.
- Tøm alt brennstoff fra tanken over i en beholder som er

godkjent for bensin. Husk å sette på og drivstofflokket og stramme det godt til.

- Kjør motoren til den stopper. Dette vil fjerne alt drivstoff som ikke lenger er egnet, og la avleiringer og harpiks bli igjen i drivstoffsystemet.
- Oppbevar produktet på et kjølig, tørt og godt ventilert sted som er utilgjengelig for barn og godt vekk fra antenneskilder.
- Hold den borte fra korrosive materialer, så som ugressmidler og veisalt.
- Ikke oppbevar utendørs.
- Ved transport må produktet sikres mot å komme i bevegelse eller falle for å unngå skade på personer eller produktet.
- Bær eller transporter aldri produktet når det går.
- Pass på at du overholder både nasjonale og lokale regelverk for sikker lagring og håndtering av bensin.

Kortsiktig lagring (mindre enn en måned)

- Stopp motoren og la den kjøles ned før oppbevaring.
- Stikk bladet i sliren.
- Oppbevar produktet på et kjølig, tørt og godt ventilert sted som er utilgjengelig for barn og godt vekk fra antenneskilder.
- Hold den borte fra korrosive materialer, så som ugressmidler og veisalt.
- Ikke oppbevar utendørs.

VEDLIKEHOLD

⚠ ADVARSEL

Service krever meget stor forsiktighet og kunnskap og bør utføres kun av kvalifisert teknisk personale. For service og reparasjoner må produktet returneres til nærmeste autoriserte servicesenter. Når service utføres skal kun identiske reservedeler brukes.

⚠ ADVARSEL

Bladene er skarpe. Når du håndterer bladene, bruk profesjonelle vernehansker med antiskli. Ikke sett hånden eller fingrene mellom bladene eller et annet sted der de kan bli kuttet eller klemt. Når tennpluggkabelen er tilkoblet, må du aldri berøre tennene eller utføre vedlikehold på produktet.

⚠ ADVARSEL

Ikke på noe tidspunkt må du la bremsevæske, bensin, petroleumbaserte produkter, rustoppløsende oljer og lignende komme i kontakt med plastdelene. Kjemiske stoffer kan skade, svekke eller ødelegge plastikk som da kan føre til alvorlige personskader.

⚠ ADVARSEL

Ikke forsøk å modifisere dette produktet eller Alle slike forandringer eller modifikasjoner er feil. Hvilken som helst forandring eller modifikasjon eller feilaktig bruk kan resultere i farlige forhold som leder til mulig alvorlig personskade.

- Du kan foreta justeringer og reparasjoner som er beskrevet i denne brukermanualen. For andre reparasjoner, ta kontakt med et autorisert serviceverksted.
- Konsekvensene av manglende eller feilaktig vedlikehold kan være overdreven avleiring av karbon, noe som i sin tur kan føre til tap av ytelse og oljeoverskudd som drypper ut fra støydemperen.
- Etter hver bruk, rens produktets ytre med en myk tørt klut.
- Etter hvert bruk, fjern avfall fra bladene med en stiv børste og påfør forsiktig antirustsmøring før du setter på bladbeskyttelsen igjen. Produsenten anbefaler at du påfører smørespray med antirustfunksjon som en jevn hinne og dermed minsker faren for personskade. For mer informasjon om passende sprayprodukter, ta kontakt med ditt lokale autoriserte servicesenter.
- Du kan også ved behov smøre bladene lett før bruk, som beskrevet over.
- Kontroller all mutter, bolter og skruer med jevne mellomrom at de er skrudd fast for å sikre at produktet er i driftssikker stand. Enhver del som er skadet må repareres eller skiftes ut ved et autorisert serviceverksted.

BYTTE AV TENNER

- Inspiser bladet periodisk for slitasje eller skader. Hvis noen av tennene er skadet, må de repareres eller skiftes ut av et autorisert verksted.

FJERNING AV EN BLOKKERING

- Stopp motoren, og vent til alle bevegelige deler har stoppet.
- Trekk ut tennpluggkabelen.
- Bladene er skarpe. Bruk kraftige hansker når du arbeider i nærheten av tennene.
- Fjern omhyggelig alle blokkeringer og rusk fra tennene og andre bevegelige deler.

GJENVÆRENDE RISIKO

Selv om utstyret brukes som beskrevet er det ikke mulig å unngå enhver gjenværende risiko. Følgende faresituasjoner kan oppstå ved bruk, og operatøren må legge spesielt vekt på å unngå følgende:

- Skader som følge av kontakt med oppkappingsutstyr
 - Sikre at bladskjermen er på plass når produktet er i bruk. Hold på ethvert tidspunkt hender og føtter vekk fra bladene.
- Personskade på grunn av vibrasjon.
 - Bruk alltid riktig verktøy til jobben, bruk håndtakene og begrens arbeidstiden og eksponeringen. Se «Reduksjon av risikoen» i denne håndboken.

- Eksponering for støy kan gi hørselsskader.
 - Bruk hørselvern og begrenns eksponeringen.
- Øyeskader som følge av flygende gjenstander.
 - Bruk til enhver tid øyebeskyttelse.
- Personskade forårsaket av fallende gjenstander.
 - Hvis du jobber i områder der det er fare for fallende objekter, må du bruke hjelm.

FAREREDUKSJON

Det foreligger rapporter om at vibrasjoner fra håndholdt verktøy for enkelte personer kan bidra til en tilstand som kalles Raynauds Syndrome. Symptomene kan omfatte følelsesløshet og gjøre fingrene bleke, vanligvis synlig ved eksponering til lave temperaturer. Arvelige faktorer, eksponering mot lave temperaturer og fuktighet, diett, røyking og arbeidspraksis blir alle ansett for å kunne bidra til å utvikle disse symptomene. Brukeren kan iverksette tiltak for mulig å redusere virkningene av vibrasjonene:

- Hold kroppen din varm i kaldt vær. Bruk hansker og hold hender og håndledd varme ved bruk av produktet. Det er rapportert at kaldt vær er en viktig faktor som bidrar til Raynauds Syndrome.
- Etter hver arbeidsperiode bør det utføres øvelser for å øke blodsirkulasjonen.
- Ta ofte pauser fra arbeidet som utføres. Begrens mengden av eksponering pr. dag.

Hvis du opplever noen av symptomene på denne tilstanden må du øyeblikkelig avbryte arbeidet og oppsøke en lege med disse symptomene.

⚠ ADVARSEL

Hvis man bruker verktøyet for lenge av gangen, kan det føre til eller forverre allerede eksisterende personskade. Når du bruker et verktøy over en lenger tidsperiode, husk å ta regelmessige pauser.

KJENN PRODUKTET DITT

Se side 191.

1. Chokebryter
2. Pumpeblåse
3. Beskyttelsesskjerm
4. Fremre håndtak
5. Tennpluggkammer
6. Starthåndtak
7. Blad
8. Luftfilterdeksel
9. Knott til deksel for luftfilterbeholder
10. Lokk til drivstofftank
11. Lås utløser for rotasjonshåndtak
12. Gasshendel
13. Roterende håndtak
14. Startgassperre
15. Av/På-bryter
16. Futteral

SYMBOLER PÅ PRODUKTET



Sikkerhetsalarm



For å redusere faren for personskade må brukeren ha lest og forstått bruksanvisningen før produktet tas i bruk.



Bruk hørselvern



Bruk øyebeskyttelse



Hold alltid hekksaksen med begge hender når den brukes.



Bruk kraftige, sklisikre hansker.



For å hindre alvorlige personskader, ikke ta på kuttebladene.



Vær oppmerksom på utkastede eller flygende gjenstander. Hold tilskuere, spesielt barn og dyr, på god avstand, det vil si minst 15 meter fra arbeidsområdet



Bruk blyfri bensin til biler med et oktantall på 91 ((R+M)/2) eller mer.



Bruk en syntetisk totaktsolje til luftkjølte motorer.



Bland drivstoffet og 2-takts smøremiddel grundig før ny påfylling av drivstoff.



For å redusere faren for skade på person, unngå kontakt med enhver varm overflate.



Trykk på primerballongen 10 ganger.



Sett chokespaken til "FULL" chokeposisjon.



Sett chokespaken til "HALF" (halv) chokeposisjon.



Sett chokespaken til "RUN" posisjon.



La produktet kjøre på tomgang i 10 sekunder.



Dra starterhåndtaket inntil motoren starter.



Starte en kald motor



Starte en varm motor



Trekk i sperren på dreiehåndtaket når du skal vri på håndtaket. Vri håndtaket til høyre eller venstre, og slipp deretter dreiesperren. Fortsett å vri på håndtaket til det låser seg i 45° eller 90° stilling.



Trykk inn avtrekkerlåsen og gassavtrekkeren.



Sett bryteren til posisjon "I" før du prøver å starte maskinen.



Dette verktøyet overholder samtlige standarder i det EU-landet det er kjøpt i.



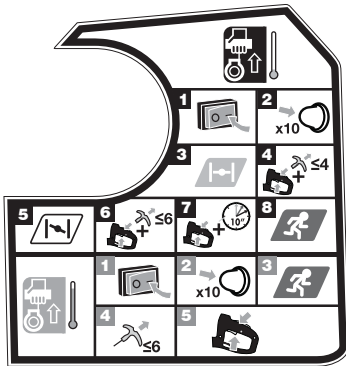
EurAsian Konformitetstegn



Ukrainsk merke for konformitet



Garantert lydnivå er 105 dB



MERK: Plasser hekksaksen på flat grunn og sørg for at ingen gjenstander eller hindringer i nærheten kan komme i kontakt med skjærebladene.

Å starte en kald motor:

1. Sett startbryteren på I.
2. Trykk på primerballongen 10 ganger.
MERK: Etter 7 trykk skal drivstoffet være synlig i primerballongen. Hvis ikke, fortsett inntil drivstoffet er synlig.
3. Sett chokespaken til I-posisjonen.
4. Trykk inn avtrekkerlåsen og gassavtrekkeren. Trekk i starthåndtaket inntil motoren gjør forsøk på å starte. Ikke dra i starterhåndtaket mer enn 4 ganger.
5. Sett chokespaken til I-posisjonen.
6. Trykk inn avtrekkerlåsen og gassavtrekkeren. Dra

starterhåndtaket inntil motoren starter. Ikke dra i starterhåndtaket mer enn 6 ganger.

7. Trykk inn avtrekkerlåsen og gassavtrekkeren. La produktet kjøre på tomgang i 10 sekunder.
8. Sett chokespaken til I-posisjonen.

Å starte en varm motor:

1. Sett startbryteren på I.
2. Trykk på primerballongen 10 ganger.
MERK: Etter 7 trykk skal drivstoffet være synlig i primerballongen. Hvis ikke, fortsett inntil drivstoffet er synlig.
3. Sett chokespaken til I-posisjonen.
4. Hold og trykk inn dreiehåndtaket, gassen og gassens utløssperre med venstre hånd. Dra starterhåndtaket inntil motoren starter. Ikke dra i starterhåndtaket mer enn 6 ganger.
5. Trykk inn avtrekkerlåsen og gassavtrekkeren.

SYMBOLER I DENNE MANUALEN



Deler eller tilbehør solgt separat



Nb



Advarsel



Ikke røyk eller bruk åpen ild mens du blander eller fyller tanken med drivstoff.



Brannfare.



Trykk og hold inne I/U-bryteren i U-stillingen når du skal stoppe maskinen.

Flgende symboler og betydninger forklarer risikonivået som er assosiert med dette produktet.

FARE

Indikerer en øyeblikkelig farlig situasjon, som, hvis ikke unngås, kan resultere i død eller alvorlig personskade.

ADVARSEL

Indikerer en potensiell farlig situasjon, som, hvis ikke unngås, kan resultere i død eller alvorlig personskade.

FORSIKTIGHETSREGEL

Indikerer en potensiell farlig situasjon, som, hvis ikke unngås, kan resultere i mindre eller moderat personskade.

FORSIKTIGHETSREGEL

Uten sikkerhetsvarselsymbol

Indikerer en situasjon som kan føre til skade på eiendom.

VEDLIKEHOLDSPLAN



	Før hver gangs bruk:	Etter 1. måned eller 20 timers drift	Hver 3. måned eller 50 timers drift	Hver 6. måned eller 100 timers drift	Hvert år eller etter 300 timers drift
Sjekk motoroljenivået	■				
Skift motorolje		■		■	
Sjekk luftfilteret	■				
Rengjør luftfilteret.			■		
Skift luftfilteret					■
Sjekk/juster tennpluggen				■	
Skifte ut drivstoffilter					■
Sjekk/juster tomgangshastigheten					■
Reingjør gnistfangeren.			■		
Erstatt med en ny gnistfanger.					■
Sjekk/juster ventilklaringen ¹					■
Rengjør drivstofftanken og -filteret ¹				■	
Sjekk drivstoffslangen	■				
Inspiser drivstoffilteret	■				
Skifte ut drivstoffilter					■
Sjekk alle slangetilkoblinger	■				
Kontroller drivstofftankens lufteventil (hvis montert)	■				
Inspiser kolkkanister (kun forgassermodeller)	■				

1. Disse prosedyrene bør bare utføres av et autorisert servicesenter.

MERKNADER:

- Vedlikehold skal utføres hyppigere når produktet brukes i støvete områder.
- Når produktet har overskredet maksimale tallverdier som er spesifisert i tabellen, skal vedlikeholdet fortsatt gjennomføres i henhold til tids- eller timeintervallene som er angitt her.

FEILSØKING

Problem	Mulig årsak	Løsning
Motoren starter ikke.	Ingen gnist.	Sjekk om det forekommer gnister. Ta ut tennpluggen. Sett hetten på tennpluggen, og legg tennpluggen på metallsylinderen. Trekk i startsnoren og se om det oppstår gnister på tuppen av tennpluggen. Gjenta testen med en ny tennplugg hvis det ikke oppstår noen gnister.
	Ingen drivstoff	Trykk på primer-kolben til kolben er full av drivstoff. Hvis kolben ikke fylles, vil hovedfyllesystemet blokkert. Ta kontakt med et serviceverksted. Hvis primer-kolben fylles, kan det være motoren er oversvømmet. Fortsett da til neste punkt.
	Motoren ble druknet.	Trekk i starterhåndtaket 3 ganger med chokespaken ved  -posisjon. Hvis motoren ikke starter, sett chokespaken til  chokeposisjonen og gjenta normal startprosedyre. Hvis motoren fremdeles ikke vil starte, gjentar du prosedyren med en ny tennplugg.
Motoren starter, men akselererer ikke.	Startertauet er hardt å trekke.	Ta kontakt med et serviceverksted.
	Det tar omkring tre minutter før motoren er varm.	La motoren varmes helt opp. Hvis motoren ikke akselererer etter tre minutter, må du kontakte et serviceverksted.
Motoren starter men kjører kun på halv choke.	Forgasseren må justeres.	Ta kontakt med et serviceverksted.
Motoren når ikke full fart, og ryker mer enn vanlig.	Smøring/drivstoffblandingen er feil.	Bruk nylig blandet brennstoff og korrekt blandingsforhold med totaktsolje.
	Luffilteret er urent.	Rengjøring av luffilteret. Hensiv til rengjøring av luffilter i i vedlikeholdsavsnittet i denne manualen.
	Gnistfangeren er skitten.	Ta kontakt med et serviceverksted.
Motoren starter og kjører, men vil ikke gå på tomgang.	Tomgangsskruen på forgasseren må justeres.	Ta kontakt med et serviceverksted.

При производстве бензинового триммера наибольшее внимание уделяется безопасности, эксплуатационным характеристикам и надежности инструмента.

НАЗНАЧЕНИЕ

К эксплуатации бензинового триммера допускаются только совершеннолетние лица, ознакомленные с инструкциями и предупреждениями, предоставленными в настоящем руководстве, и способные нести ответственность за свои действия.

Продукт предназначен только для использования на открытом воздухе в хорошо проветриваемом месте. Из соображений безопасности всегда необходимо эксплуатировать инструмент, управляя им двумя руками.

Изделие предназначено для домашнего использования. Предназначено для подрезания живых изгородей, кустов и аналогичной растительности с толщиной стебля или ветвей до 28 мм. Пользоваться инструментом следует в сухих хорошо освещенных условиях.

Устройство НЕ предназначено для подрезки травы, деревьев или веток. Инструмент не следует использовать в каких-либо других целях, кроме подрезки живой изгороди.

⚠ ОСТОРОЖНО

Во избежание тяжелых телесных повреждений не пытайтесь использовать данный инструмент, пока не прочтаете внимательно и не запомните все инструкции данного руководства. Сохраните данное руководство по эксплуатации и в дальнейшем обращайтесь к нему чаще, чтобы помнить указания по безопасной эксплуатации инструмента и инструктировать лиц, которые могут пользоваться данным инструментом.

Сохранить эти инструкции.

ОБЩИЕ ПРАВИЛА БЕЗОПАСНОСТИ

⚠ ОСТОРОЖНО

Прочтите все предупреждения и инструкции по технике безопасности. Несоблюдение приводимых ниже предупреждений и инструкций может привести к возгоранию и/или тяжелым телесным повреждениям. Сохраните все предупреждения и инструкции по технике безопасности для последующего использования.

ПОДГОТОВКА

⚠ ОСТОРОЖНО

Данный инструмент может стать причиной тяжелых телесных повреждений. Внимательно прочтите данные инструкции для правильного обращения, подготовки, технического обслуживания, запуска и останова инструмента. Ознакомьтесь с элементами управления и правилами эксплуатации изделия.

- Не позволяйте пользоваться устройством детям или не обученным лицам.
- Помните об опасности работы под воздушными электрическими линиями
- При работе не позволяйте приближаться к вам на расстояние ближе 15 метров посторонним лицам, детям и домашним животным. Не работайте с устройством, если рядом присутствуют посторонние лица, особенно дети, а также домашние животные.
- Одевайтесь соответствующим образом. Не надевайте свисающую одежду и бижутерию, они могут застрять в движущихся деталях.

⚠ ОСТОРОЖНО

Действие любого инструмента мощности, может кончатся иностранными объектами, бросаемыми в ваши глаза, которые могут кончатся серьезным повреждением глаз. В процессе эксплуатации прибора следует использовать защитные очки с боковыми щитками или без них. При необходимости используйте полнопрофильную защитную маску. Мы рекомендуем Широкую Маску Безопасности Зрения для использования по очкам или стандартным небьющимся стеклам со щитами стороны.

- Не допускается эксплуатация устройства босиком, в сандалиях или другой легкой обуви. Используйте нескользящую обувь, способную защитить ваши ноги и обеспечить устойчивость на скользких поверхностях.

⚠ ОСТОРОЖНО

Будьте предельно осторожны при обращении с горючим. Бензин является воспламеняемым веществом, а его пары токсичны и взрывоопасны.

- Используйте только топливные баки, предназначенные для бензина.
- Перед запуском двигателя залейте топливо. Запрещается снимать крышку топливного бака и доливать топливо при работающем или горячем двигателе.
- Не курить.
- Заправка должна всегда производиться вне помещения. Заправка устройства в помещении или в плохо проветриваемой зоне не допускается. Оградить от контакта с любыми источниками возгорания, искрами и открытым пламенем.
- Запрещается хранить устройство с топливом в баке

в одном помещении с источниками возгорания, такими как обогреватели, сушилки для белья и прочее.

- Если топливная смесь разлилась, вытрите ее. Перед запуском двигателя переместитесь на 9 метров от места заправки.
- Хорошо закрутите крышку топливного бака.
- Если требуется слить горючее из топливного бака, делайте это на открытом воздухе.
- При попадании в режущий механизм постороннего предмета или при появлении необычного шума или вибрации Остановите или отключите устройство от источника питания и дождитесь его полной остановки. Отсоедините провод свечи зажигания от свечи и выполните следующие действия:
 - осмотрите устройство на предмет повреждений
 - проверьте и замените все незакрепленные детали.

Отремонтируйте или замените поврежденные детали на детали с аналогичными техническими характеристиками.

▲ ОСТОРОЖНО

Во время работы данное устройство производит много шума. Во избежание риска получения травм органов слуха необходимо использовать защитные наушники.

▲ ОСТОРОЖНО

При работе всегда пользуйтесь защитными очками с боковыми протекторами. При несоблюдении этого правила техники безопасности посторонние предметы могут попасть в глаза и вызвать тяжелые глазные травмы.

- Отключение двигателя в экстренной ситуации: Переключите выключатель питания в положение "выкл" (O).

ЭКСПЛУАТАЦИЯ

- Выключите двигатель, отсоедините кожух от свечи зажигания, дождитесь ее охлаждения и убедитесь в том, что все подвижные детали полностью остановились перед:
 - Заправка топливного бака
 - регулировка рабочего положения или положения задней рукоятки
 - Оставление изделия без присмотра
 - Чистка изделия
 - замена принадлежностей
 - снятие блокировки
 - Проверка на наличие повреждений после столкновения с предметами
 - Проверка на наличие повреждений, если изделие начнет необычно вибрировать
 - Выполнение технического обслуживания
- Запуск двигателя допускается только после приведения триммера в безопасное рабочее

положение. Перед запуском двигателя производитель рекомендует поместить устройство на землю таким образом, чтобы лезвия ни с чем не контактировали.

- При эксплуатации триммера не перегибайтесь и не становитесь на неустойчивую поверхность. Старайтесь сохранять устойчивость и подыскивайте твердую опору. Производитель не рекомендует использовать стремянки или лестницы. Если требуется обрезать выше, используйте удлинительную насадку.
- Не используйте инструмент с поврежденным или сильно изношенным режущим устройством.
- Чтобы уменьшить риск воспламенения, держите двигатель и глушитель чистыми от мусора, листьев и избыточной смазки.
- Перед использованием устройства установите все ручки и защитные устройства. Использование некомплектного изделия или модифицированного изделия не допускается.
- При работе с инструментом обе ручки руки следует удерживать обеими руками.
- Никогда не забывайте об окружающей обстановке и помните о возможных опасностях, о которых вы можете не подозревать из-за шума, создаваемого инструментом при работе.

ДОПОЛНИТЕЛЬНОЕ ПРЕДУПРЕЖДЕНИЕ

- Не запускайте двигатель в замкнутом пространстве, где может накопиться опасный угарный газ. Моноксид углерода — крайне опасный газ без цвета и запаха, который может стать причиной потери сознания и гибели.
- Не работайте с данным устройством в случае усталости, болезненного состояния или под воздействием алкоголя, наркотиков или медикаментов.
- Убедитесь перед каждым использованием, что все элементы управления и предохранительные устройства функционируют правильно. Не используйте устройство, если невозможно остановить двигатель выключателем. Неисправные выключатели заменяйте в специализированном центре обслуживания.
- Проверяйте устройство перед каждым использованием. Проверьте надежность креплений, наличие утечки топлива и т. д. При обнаружении течи топлива или недостаточной фиксации либо надежности рукоятей и защитных элементов использование устройства не допускается.
- Соберите длинные волосы выше плеч, чтобы предотвратить их попадание в движущиеся части.
- Не работайте при недостаточном освещении. Оператор должен четко видеть рабочую зону в целях выявления потенциальных опасностей.
- Перед каждым использованием проверяйте рабочую зону. Удалите все посторонние объекты, такие как штифты, провода или шнуры, которые могут быть повреждены или застрять в подвижных деталях или режущих элементах.

EN
FR
DE
ES
IT
NL
PT
DA
SV
FI
NO
RU
PL
CS
HU
RO
LV
LT
ET
HR
SL
SK
BG
UK
TR



- Постоянно проверяйте, нет ли людей или животных позади или внутри изгороди или кустарника, который вы собираетесь обрезать. Эксплуатация аналогичных устройств вблизи рабочей зоны повышает риск повреждения слуха и опасность появления посторонних лиц в вашей рабочей зоне.
- Проверить все болты, задвижки, и винты, через короткие интервалы, на надлежащую плотность, чтобы убедиться, что изделие находится в безопасном, рабочем состоянии. В случае повреждения какой-либо детали необходимо обратиться в авторизованный сервисный центр для выполнения надлежащего ремонта или замены.

⚠ ОСТОРОЖНО

Когда дроссельный регулятор отпущен, и двигатель работает на холостом ходу, режущая насадка или лезвие должны быть неподвижны. Если она продолжает двигаться, это может привести к тяжелой травме оператора. Не эксплуатируйте устройство. Обратитесь для ремонта в авторизованный сервисный центр.

- Не прикасайтесь к поверхностям в области глушителя и двигателя инструмента, так как эти детали нагреваются во время работы.
- Изменение конструкции изделия не допускается.
- Не используйте шпалерные ножницы для подрезания густого кустарника. Это может привести к зажиму и замедлению работы режущих полотен. Если движение режущих полотен замедляется, уменьшите ход работы.
- Не пытайтесь обрезать стебли или ветви толщиной более 28 мм или заведомо не проходящие в режущие полотна. Для обрезания больших стеблей используйте ручную пилу или ножовку.
- Во избежание возгорания убедитесь в отсутствии рядом с работающим или горячим двигателем и глушителем воспламеняемых материалов.

ТРАНСПОРТИРОВКА И ХРАНЕНИЕ

- Остановите устройство и дайте ему остыть перед постановкой на хранение или транспортировкой.
- Очистите устройство от всех посторонних материалов.
- Установите на лезвие специальную защиту (ножны).
- Слейте все топливо из бака в канистру для бензина. Не забывайте тщательно закрывать крышку топливного бака.
- Дайте мотору поработать, пока он сам не остановится. Это позволит избавиться от старого топлива, представляющего опасность загрязнения топливной системы нагаром и смолами.
- Храните устройство в прохладном сухом помещении с достаточной вентиляцией вне зоны доступа детей, в удалении от источников возгорания.
- Не держите бензопилу рядом с коррозионными веществами, такими как садовые химикаты или размораживающая соль.

- Не храните на открытом воздухе.
- Для транспортировки закрепите изделие так, чтобы оно не могло перемещаться или упасть во избежание травмирования персонала или повреждения изделия.
- Ни в коем случае не перемещайте устройство при работающем двигателе.
- Соблюдайте государственные и местные нормы хранения топлива.

Краткосрочное хранение (до 1 месяца)

- Выключите двигатель и дайте ему остыть перед тем, как убрать его на хранение.
- Установите на лезвие специальную защиту (ножны).
- Храните устройство в прохладном сухом помещении с достаточной вентиляцией вне зоны доступа детей, в удалении от источников возгорания.
- Не держите бензопилу рядом с коррозионными веществами, такими как садовые химикаты или размораживающая соль.
- Не храните на открытом воздухе.

ТЕХНИЧЕСКОЕ ОБСЛУЖИВАНИЕ

⚠ ОСТОРОЖНО

Обслуживание требует чрезвычайной заботы и знания и должно быть выполнено только квалифицированным техником обслуживания. Для обслуживания мы предлагаем, чтобы вы возвратили изделие вашему самому близкому уполномоченному центру обслуживания для ремонта. При обслуживании использовать только идентичные сменные части.

⚠ ОСТОРОЖНО

Лезвия имеют острые кромки. При выполнении всех операций с лезвиями носите несколько прочные защитные перчатки. Не допускайте попадания руки или пальцев между лезвиями и держите их так, чтобы невозможно было их прищемить или порезать. Запрещается касаться лезвий или обслуживать устройство при подключенном проводе свечи зажигания.

⚠ ОСТОРОЖНО

Не допускайте взаимодействия тормозных жидкостей, бензина, нефтепродуктов, пропиочных масел и т.п. с пластмассовыми деталями. Химические реагенты могут повредить, ослабить или разрушить пластмассовые детали, что может привести к тяжелым физическим травмам.



⚠ ОСТОРОЖНО

Не пытайтесь изменять это изделие или создавать принадлежность, не рекомендуемые для использования с этим изделием. Любое такое изменение или модификация - неправильное употребление и могут кончатся опасным состоянием, ведущим к возможному серьезному персональному ущербу.

- Вы можете также выполнить другие виды регулировки и ремонтные работы, описанные в данном руководстве. По вопросу ремонта обращайтесь в авторизированный сервисный центр.
- Вследствие ненадлежащего технического обслуживания может происходить чрезмерное образование нагара, что ведет к снижению производительности, и вытекание из глушителя черного маслянистого отстоя.
- После каждого использования протирайте корпус и ручки изделия мягкой сухой тканью.
- После каждого использования, очистите лезвия от мусора жесткой щеткой, а затем аккуратно нанесите на него антикоррозионную смазку перед установкой защитного приспособления для лезвия. Производитель рекомендует использовать антикоррозионную распыляемую смазку, чтобы нанести ровный слой и снизить риск получения травмы от контакта с лезвиями. Для получения информации о подходящих распыляемых смазках свяжитесь с местным авторизованным сервисным центром.
- Вы можете при необходимости слегка смазывать лезвия перед эксплуатацией, используя данный метод.
- Проверить все болты, задвижки, и винты, через короткие интервалы, на надлежащую плотность, чтобы убедиться, что изделие находится в безопасном, рабочем состоянии. В случае повреждения какой-либо детали необходимо обратиться в авторизованный сервисный центр для выполнения надлежащего ремонта или замены.

ЗАМЕНА ЛЕЗВИЙ

- Регулярно проверяйте режущие полотна на отсутствие повреждений и износ. В случае повреждения лезвий необходимо обратиться в авторизованный сервисный центр для их ремонта или замены.

ОЧИСТКА ЗАСОРЕНИЯ

- Выключите двигатель и дождитесь остановки всех движущихся деталей.
- Снимите провод свечи зажигания.
- Лезвия имеют острые кромки. В процессе работы в непосредственной близости от лезвий необходимо использовать защитные перчатки.
- Соблюдайте осторожность при удалении затора или мусора с лезвий и других подвижных деталей.

БУДЬТЕ ВСЕГДА ОСТОРОЖНЫ

Даже когда изделие используют согласно инструкциям, невозможно полностью устранить факторы риска. При эксплуатации могут возникнуть следующие ситуации, которым пользователь должен уделять особое внимание, чтобы избежать проблем:

- Травмы, вызываемые контактом с режущими приспособлениями
 - Когда инструмент не используется, на лезвиях должны быть установлены защитные устройства. Не допускайте попадания рук и ног в зону работы режущих приспособлений.
- Травмы, вызываемые вибрацией.
 - Применяйте инструмент только по своему назначению, используйте надлежащие ручки и соблюдайте рабочий режим. См. раздел "Снижение риска" данного руководства.
- Повреждение слуха, вызываемое воздействием шума.
 - Носите устройства защиты слуха и ограничивайте продолжительность шумового воздействия.
- Повреждение глаз летящим мусором.
 - Обязательно носите устройства для защиты глаз.
- Травмы, вызванные падающими объектами.
 - При работе в зоне, где есть риск падения предметов, необходимо носить защитную каску.

СНИЖЕНИЕ РИСКА

Считается, что вибрация ручного инструмента может привести к проявлению у отдельных лиц так называемой болезни Рейно (Raynaud's Syndrome). К симптомам могут относиться покалывание, онемение и побеление пальцев (как при переохлаждении). Считают, что наследственные факторы, охлаждение и влажность, диета, курение и практический опыт способствуют развитию этих симптомов. Ниже приводятся меры, которые может принять оператор для снижения воздействия вибрации:

- Одевайтесь теплее в холодную погоду. При эксплуатации изделия носите перчатки, чтобы сохранить руки и запястья в тепле. Считается, что холодная погода является основным фактором, способствующим возникновению болезни Рейно (Raynaud's Syndrome).
- После каждого этапа работы выполните упражнения для усиления кровообращения.
- Чаще делайте перерывы в работе. Сократите длительность ежедневного пребывания на открытом воздухе.

При появлении каких-либо из указанных симптомов сразу же прекратите работу и обратитесь по их поводу к врачу.

⚠ ОСТОРОЖНО

Слишком продолжительное использование инструмента может привести к травме. При использовании инструмента в течение длительного времени делайте регулярные перерывы.

ИЗУЧИТЕ УСТРОЙСТВО

См. стр. 191.

1. Дроссельная заслонка
2. Подсос
3. Защитный щиток
4. Передняя ручка
5. Чехол свечи зажигания
6. Ручка запуска
7. Пильное полотно
8. Крышка воздушного фильтра
9. Рукоять крышки воздушной коробки
10. Крышка топливного бака
11. Блокиратор вращающейся ручки
12. Курок акселератора
13. Поворотная ручка
14. Фиксатор дроссельного регулятора
15. Тумблер включения/выключения
16. Ножны

УСЛОВНЫЕ ОБОЗНАЧЕНИЯ НА ПРОДУКТЕ



Внимание

Во избежание телесных повреждений пользователь должен внимательно ознакомиться и запомнить указания данного руководства до использования инструмента.



Следует надевать средства защиты органов слуха



Используйте средства защиты органов зрения



При работе удерживайте шпалерные ножницы обеими руками.



Надевайте нескользящие перчатки для работы в тяжелых условиях.



Во избежание серьезных травм не касайтесь режущих лезвий.



Помните об опасности, которую представляют собой отбрасываемые устройством или вылетающие из-под него предметы. Не допускайте приближения посторонних лиц, особенно детей и домашних животных к рабочей зоне ближе чем на 15 м



Пользуйтесь автомобильным неэтилированным бензином с октановым числом 91 ([R+M]/2) или выше.



Пользуйтесь только синтетическим маслом для двухтактных двигателей.



Перед заправкой тщательно смешайте топливо и масло для двухтактного двигателя.



Во избежание телесного повреждения или повреждения оборудования, не допускайте касания с нагретой поверхностью.



Нажмите 10 раз кнопку подсоса.



Установите рычажок дросселя в положение "FULL" (Полные обороты).



Установите рычажок дросселя в положение "HALF" (Половина оборотов).



Установите рычажок дросселя в рабочее положение (RUN).



Дайте изделию поработать 10 секунд.



Дергайте за ручку стартера, пока двигатель не запустится.



Запуск холодного мотора



Запуск горячего мотора



Чтобы повернуть вращающуюся ручку, потяните блокиратор вращающейся ручки на себя. Поверните ручку вправо или влево и отпустите блокиратор вращающейся ручки. Поворачивайте вращающуюся ручку до фиксации в положении 45° или 90°.



Нажмите рычажок блокировки куркового выключателя и рычажок заслонки дросселя.



Перед запуском двигателя установите ключ зажигания в положение "I".



Настоящий инструмент отвечает всем официальным стандартам страны ЕС, в которой он был приобретен.



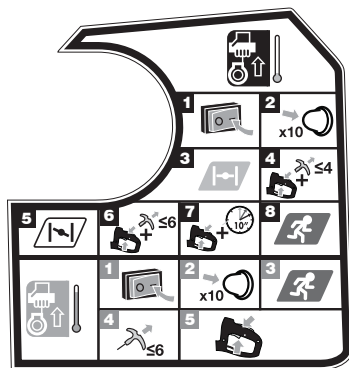
Гарантированный уровень звуковой мощности 105 дБ



Украинский знак стандартизации



Знак Евразийского Соответствия
Сертификат Соответствия
№ TC RU C-DE.AE61.B.10297
Срок действия Сертификата
Соответствия По 24.10.2022
Некоммерческая организация
Учреждение
сертификации и экспертизы
«Сертэкс»
109044 РФ, город Москва, 3-й
Крутицкий
переулок, дом 11



ПРИМЕЧАНИЕ: Уложите подрезчик на ровную поверхность и уберите все посторонние предметы и препятствия из зоны, в которой они могут соприкоснуться с режущими полотнами.

Запуск холодного двигателя.

1. Переведите выключатель в положение "I".
2. Нажмите 10 раз кнопку подсоса.
ПРИМЕЧАНИЕ: После 7-го нажатия топливо появляется на кнопке подсоса. Если этого не происходит, продолжайте нажимать до появления топлива.
3. Установите рукоятку дросселирования в положение
4. Нажмите рычажок блокировки куркового выключателя и рычажок заслонки дросселя. Дергайте за ручку стартера, пока двигатель не запустится. Не дергайте ручку стартера больше 4 раз.
5. Установите рукоятку дросселирования в положение
6. Нажмите рычажок блокировки куркового выключателя и рычажок заслонки дросселя. Дергайте за ручку стартера, пока двигатель не запустится. Не дергайте ручку стартера больше 6 раз.
7. Нажмите рычажок блокировки куркового выключателя и рычажок заслонки дросселя. Дайте изделию поработать 10 секунд.
8. Установите рукоятку дросселирования в положение

Запуск прогретого двигателя.

1. Переведите выключатель в положение "I".
2. Нажмите 10 раз кнопку подсоса.
ПРИМЕЧАНИЕ: После 7-го нажатия топливо появляется на кнопке подсоса. Если этого не происходит, продолжайте нажимать до появления топлива.
3. Установите рукоятку дросселирования в положение
4. Крепко удерживайте левой рукой и сжимайте вращающуюся ручку, дроссельный регулятор и блокиратор дроссельного регулятора. Дергайте за ручку стартера, пока двигатель не запустится. Не дергайте ручку стартера больше 6 раз.
5. Нажмите рычажок блокировки куркового выключателя и рычажок заслонки дросселя.

УСЛОВНЫЕ ОБОЗНАЧЕНИЯ В ДАННОМ РУКОВОДСТВЕ



Детали или принадлежности, приобретаемые отдельно



Примечание



Осторожно



Не курите при приготовлении топливной смеси или заправке топливного бака.



Опасность возгорания.



Чтобы выключить инструмент, нажмите и удерживайте переключатель I/O в положении "O".

Следующие сигнальные слова и значения предназначены, чтобы объяснить уровни риска, связанного с этим изделием.

ОПАСНО

Указывает неизбежно опасную ситуацию, которая, если не избежать, кончится смертельным или серьезным ущербом.

ОСТОРОЖНО

Указывает потенциально опасную ситуацию, которая, если не избежать, может кончиться смертельным или серьезным ущербом.

ПРЕДОСТЕРЕЖЕНИЕ

Указывает потенциально опасную ситуацию, которая, если не избежать, может кончиться малым или уменьшенным ущербом.

ПРЕДОСТЕРЕЖЕНИЕ

Употребляется без предупреждающего знака

Указывает на ситуацию, которая может привести к повреждению имущества.

- EN
- FR
- DE
- ES
- IT
- PL
- PT
- DA
- SV
- FI
- NO
- RU**
- CS
- HU
- RO
- LV
- LT
- ET
- HR
- SL
- SK
- BG
- UK
- TR

СПИСОК ОБСЛУЖИВАНИЯ

	Перед каждым использованием	После 1-го месяца или 20 часов работы	Каждые 3 месяца или 50 часов работы	Каждые 6 месяца или 100 часов работы	Каждый год или 300 часов работы
Проверка масла в двигателе	■				
Замена масла в двигателе		■		■	
Проверка воздушного фильтра	■				
Прочистите воздушный фильтр.			■		
Замена воздушного фильтра					■
Проверка/регулировка свечи зажигания				■	
Замена топливного фильтра					■
Проверка/регулировка холостого хода					■
Прочистите сетку искроотражателя.			■		
Замените искрогаситель на новый.					■
Проверка/регулировка зазора клапана ¹					■
Очистка топливного бака и фильтра ¹				■	
Проверка топливного шланга	■				
Проверьте уровень топлива	■				
Замена топливного фильтра					■
Проверка всех шланговых соединений	■				
Осмотр вентиляции топливного банка (при наличии)	■				
Осмотр угольного фильтра (только для моделей с карбюратором)	■				


1. Указанные работы должны проводиться авторизованным сервисным центром.

ПРИМЕЧАНИЯ:

- Если инструмент используется в условиях с повышенным содержанием пыли, техническое обслуживание необходимо проводить чаще.
- Если параметры изделия превышают максимальные показатели, указанные в таблице, необходимо провести техническое обслуживание изделия в указанные интервалы времени.



ПОИСК НЕИСПРАВНОСТЕЙ

Проблема	Возможные причины	Решение
Двигатель не запускается.	Нет искры.	Проверьте искру. Снимите свечу. Установите кожух свечи зажигания и поместите свечу на металлический цилиндр. Потяните за веревку стартера и наблюдайте за появлением искры на конце свечи. При отсутствии искры возьмите новую свечу и повторите процедуру.
	Нет топлива	Сожмите сжимной насос, пока он полностью не наполнится топливом. Если сжимной насос не наполняется, значит система подачи топлива в рабочем режиме блокирована. Обратитесь в сервисную службу. Если сжимной насос наполняется, значит двигатель может быть залит, переходите к следующему пункту.
	Двигатель переполнен.	Потяните ручку стартера 3 раза, при этом рукоятка дросселирования должна находиться в положении  . Если двигатель не запускается, установите рукоятку дросселирования в положение  и снова повторите процедуру запуска двигателя. Если и после этого мотор не завелся, повторите все эти операции с новой свечой.
Двигатель запускается, но обороты не повышаются.	Вербка стартера тяжело тянется.	Обратитесь в сервисную службу.
	Двигателю для прогрева необходимо около трех минут.	Полностью прогрейте двигатель. Если двигатель не запускается через три минуты, обратитесь в авторизованный сервисный центр.
При открытой наполовину дроссельной заслонке двигатель запускается, но работает только на высокой скорости.	Необходимо отрегулировать карбюратор.	Обратитесь в сервисную службу.
Мотор не разгоняется до Полной скорости, и из него идет много дыма.	Смазочно/топливная смесь не правильна.	Используйте новую смесь с правильной пропорцией масла для двухтактных двигателей.
	Воздушный фильтр засорился.	Чистить воздушный фильтр. Обратитесь к Чистке Воздушного фильтра, секция Обслуживание этого руководства.
	Сетка искроотражателя засорилась.	Обратитесь в сервисную службу.
Мотор заводится и разгоняется, но не держит режим малых оборотов.	Необходимо отрегулировать винт холостого хода на карбюраторе.	Обратитесь в сервисную службу.



Транспортировка:

Категорически не допускается падение и любые механические воздействия на упаковку при транспортировке.

При разгрузке/погрузке не допускается использование любого вида техники, работающей по принципу зажима упаковки.

Хранение:

Необходимо хранить в сухом месте.

Необходимо хранить вдали от источников повышенных температур и воздействия солнечных лучей.

При хранении необходимо избегать резкого перепада температур.

Хранение без упаковки не допускается.

Срок службы изделия:

Срок службы изделия составляет 5 лет.

Не рекомендуется к эксплуатации по истечении 5 лет хранения с даты изготовления без предварительной проверки.

Дата изготовления (код даты) отштампован на поверхности корпуса изделия.

Пример:

W17 Y2015, где Y2015 - год изготовления

W17 – неделя изготовления

Определить месяц изготовления можно согласно приведенной ниже таблице, на примере 2015 года.

Обратите внимание! Количество недель в месяце различается от года в год.

Месяц	Январь	Февраль	Март	Апрель	Май	Июнь	Июль	Август	Сентябрь	Октябрь	Ноябрь	Декабрь	Год
Неделя	01	05	09	14	18	22	27	31	36	40	44	49	2015
	02	06	10	15	19	23	28	32	37	41	45	50	
	03	07	11	16	20	24	29	33	38	42	46	51	
	04	08	12	17	21	25	30	34	39	43	47	52	
	05	09	13	18	22	26	31	35	40	44	48	53	
			14			27							

Najwyższymi priorytetami w trakcie projektowania zakupionej przez Państwa benzynowej przycinarki do żywopłotu były bezpieczeństwo, wydajność i niezawodność.

PRZEZNACZENIE

Opisywana benzynowa przycinarka do żywopłotu przeznaczona jest do stosowania wyłącznie przez osoby dorosłe, które zapoznały się z instrukcjami i ostrzeżeniami zawartymi w niniejszym dokumencie oraz zrozumiały je, a także mogą być uważane za odpowiedzialne za swoje postępowanie.

Produkt jest przeznaczony do użytku wyłącznie na zewnątrz pomieszczeń w dobrze wentylowanym miejscu. Ze względów bezpieczeństwa produkt należy obsługiwać dwiema rękami.

Produkt jest przeznaczony do domowego użytkownika. Urządzenie przeznaczone jest to cięcia i przycinania żywopłotów, krzewów i podobnej roślinności o łodygach i gałęziach poniżej 28 mm grubości. Urządzenie należy stosować w warunkach suchych, przy dobrym oświetleniu. NIE JEST ono przeznaczone do koszenia trawy, piłowania drzew lub konarów. Nie należy używać tego urządzenia w celu innym niż przycinanie żywopłotów.

⚠ OSTRZEŻENIE

Aby uniknąć poważnych obrażeń, nie wolno używać tego urządzenia przed dokładnym zapoznaniem się z podręcznikiem obsługi i zrozumieniem jego treści. Podręcznik należy przechowywać i okresowo przeglądać, zapewniając bezpieczeństwo obsługi urządzenia i instruując inne osoby, które mogą to urządzenie obsługiwać.

Zachować ten podręcznik.

OGÓLNE OSTRZEŻENIA DOTYCZĄCE BEZPIECZEŃSTWA

⚠ OSTRZEŻENIE

Zapoznaj się ze wszystkimi zasadami bezpieczeństwa i instrukcjami. Nieprzestrzeganie ostrzeżeń i instrukcji grozi pożarem lub poważnym zranieniem. Zachowajcie te ostrzeżenia i zalecenia, aby móc się do nich odnieść w późniejszym czasie.

PRZYGOTOWANIE

⚠ OSTRZEŻENIE

Urządzenie może spowodować poważne zranienie. Należy dokładnie zapoznać się z instrukcjami dotyczącymi prawidłowego przenoszenia, przygotowywania do pracy, konserwacji, uruchamiania i zatrzymywania pracy urządzenia. Należy zapoznać się z przyrządami sterowania oraz zasadami prawidłowej obsługi produktu.

- Nie wolno zezwalać dzieciom ani osobom bez odpowiedniego przeszkolenia na korzystanie z tego urządzenia.
- uwaga na niebezpieczeństwo związane z napowietrzonymi przewodami elektrycznymi
- Trzymać osoby postronne, dzieci i zwierzęta w odległości przynajmniej 15 od miejsca pracy. Nie wolno używać tego urządzenia, gdy w pobliżu znajdują się osoby postronne, szczególnie dzieci lub zwierzęta.
- Należy zakładać odpowiednią odzież ochronną. Nie nosić luźnej odzieży ani biżuterii. Mogą zostać wciągnięte przez ruchome części produktu.

⚠ OSTRZEŻENIE

Praca urządzeń napędzanych grozi uszkodzeniem wzroku przez uderzenie obcych przedmiotów. Przed rozpoczęciem użytkowania produktu zawsze zakładać gogle ochronne lub okulary ochronne z osłonami bocznymi, a także — gdy będzie to wymagane — osłonę chroniącą całą twarz. Zaleca się stosować maskę bezpieczeństwa o szerokim polu widzenia zamiast tradycyjnych okularów ochronnych lub okularów z osłonami bocznymi.

- Sprzętu nie mogą używać osoby bose bądź noszące sandały lub podobne lekkie obuwie. Nosić antypoślizgowe obuwie ochronne, które chroni stopy i poprawia przyczepność na śliskich podłożach.

⚠ OSTRZEŻENIE

Stosować wyjątkową ostrożność podczas prac przy paliwie. Benzyna jest łatwopalna, a jej opary są toksyczne i wybuchowe.

- Stosuj wyłącznie kanistry zatwierdzone do stosowania z benzyną.
- Przed uruchomieniem silnika dolać paliwa. Nigdy nie demontować zakrętki zbiornika paliwa ani nie dodawać paliwa, gdy silnik pracuje lub jest gorący.
- Palenie zabronione.
- Zawsze dolewać paliwa na zewnątrz pomieszczeń. Nigdy nie uzupełniać paliwa w pomieszczeniach lub w miejscach słabo wentylowanych. Trzymać z dala od wszelkich źródeł zapłonu, iskier i płomieni.
- Nigdy nie przechowywać produktu z paliwem w zbiorniku wewnątrz budynku, w którym występują źródła zapłonu, takie jak bojler lub grzejniki, suszarki do ubrań itp.
- Wytrzymać narzędzie, jeżeli rozlaliście paliwo. Przed uruchomieniem silnika należy oddalić się od miejsca uzupełniania paliwa na 9 m (30 stóp).
- Ponownie dokładnie zamontuj korki zbiornika paliwa i pojemnika.
- Jeśli zachodzi potrzeba spuszczenia paliwa ze zbiornika, należy to zrobić na zewnątrz pomieszczeń.
- Gdy mechanizm tnący uderzy w przedmiot obcy lub maszyna zacznie wytwarzać nietypowy hałas lub drgania, należy wyłączyć jednostkę napędową

i odczekać, aż maszyna się zatrzyma. Odłączyć przewód od świecy zapłonowej i wykonać następujące czynności:

- sprawdzić na oznaki uszkodzeń
- Sprawdzić, czy nie ma luźnych części, i w razie potrzeby zamocuj je.

Uszkodzone podzespoły należy wymieniać lub naprawiać za pomocą podzespołów o takiej samej specyfikacji.

⚠ OSTRZEŻENIE

Urządzenie wytwarza hałas o dużym natężeniu. Konieczne jest noszenie ochrony uszu w celu ograniczenia ryzyka chronicznego uszkodzenia słuchu.

⚠ OSTRZEŻENIE

Kiedy używacie narzędzi, zakładajcie zawsze okulary ochronne lub okulary zabezpieczające wyposażone w boczne osłony. W razie nie spełnienia tych wymagań może dojść do odrzutu obcego ciała do oczu, co grozi poważnym skaleczeniem oka.

- Aby zatrzymać silnik w sytuacji zagrożenia: Przetawic przelacznik wł./wyl. w polozenie wyl. (O).

SPOSÓB UŻYCIA

- Zawsze zatrzymać silnik, odłączyć fajkę świecy zapłonowej od świecy zapłonowej, poczekać, aż urządzenie ostygnie, a także upewnić się, że wszystkie ruchome części całkowicie się zatrzymają, przed:
 - Napełnianie zbiornika
 - regulacją położenia roboczego lub położenia uchwytu tylnego;
 - pozostawianie produktu bez nadzoru
 - czyszczenie produktu
 - wymianą akcesoriów;
 - usuwaniem zatorów
 - kontrola uszkodzeń po uderzeniu obiektu
 - kontrola uszkodzeń w przypadku, gdy produkt wpada w nietypowe drgania
 - konserwacja
- Uruchamiać silnik wyłącznie wówczas, gdy przycinarka do żywopłotu znajduje się w bezpiecznym położeniu roboczym. Producent zaleca, aby przed uruchomieniem silnika produkt znajdował się na gruncie w miejscu, w którym ostrza nie mają z niczym styczności.
- W trakcie pracy z przycinarką do żywopłotu nie wolno się wychylać ani stać na niestabilnych podstawach. Należy cały czas pewnie opierać stopy i utrzymywać równowagę. Producent nie zaleca stosowania stopni ani drabin. Jeśli wymagane jest przycinanie wysokiego żywopłotu, należy zastosować narzędzie z wysięgnikiem.
- Nie uruchamiać urządzenia z uszkodzonym lub nadmiernie zużytym elementem tnącym.
- Aby ograniczyć ryzyko wystąpienia pożaru, należy dopilnować, aby silnik i tłumik były utrzymane w czystości oraz wolne od śmieci, liści lub nadmiaru

smaru.

- Przed przystąpieniem do użytkowania urządzenia należy upewnić się, że wszystkie uchwyty i osłony są prawidłowo zamontowane. Nigdy nie próbować używać produktu niekompletnego lub zmodyfikowanego w sposób niezatwierdzony.
- Do obsługi urządzenia wyposażonego w dwa uchwyty należy używać dwóch rąk.
- Należy zapoznać się z otoczeniem i obserwować je oraz pamiętać, że z powodu hałasu urządzenia niektóre zagrożenia mogą być trudne do zauważenia.

DODATKOWE OSTRZEŻENIE

- Nie należy uruchamiać silnika w ograniczonych przestrzeniach, gdzie mogą gromadzić się niebezpieczne opary tlenu węgla. Tlenek węgla, bezbarwny i bezzapachowy oraz skrajnie niebezpieczny gaz, może powodować utratę świadomości lub śmierć.
- Nie obsługiwać tego urządzenia w stanie zmęczenia, choroby, będąc pod wpływem alkoholu, środków odurzających lub leków.
- Przed użyciem należy sprawdzić, czy wszystkie przyrządy sterowania oraz zabezpieczenia działają prawidłowo. Nie należy używać produktu, jeśli wyłącznik („off”) nie umożliwi wyłączenia silnika. Wymienić uszkodzone wyłączniki w autoryzowanym punkcie serwisowym.
- Przed każdym użyciem należy sprawdzić maszynę. Sprawdzić, czy wszystkie mocowania są dobrze dokręcone oraz czy nie ma wycieków paliwa itp. Nie używać w przypadku wycieku paliwa lub gdy uchwyty lub osłony nie są dobrze zamocowane i w pełni sprawne.
- Długie włosy należy związać, aby znajdowały się powyżej ramion i aby nie zostały pochwycone przez maszynę.
- Nie pracować w słabym oświetleniu. Operator musi dobrze widzieć miejsce pracy, aby móc zidentyfikować potencjalne zagrożenia.
- Oczyszczyć miejsce pracy każdorazowo przed rozpoczęciem pracy. Usunąć wszelkie niepożądane objekty, takie jak słupki, druty lub sznurki, które mogą uszkodzić części ruchome lub tnące bądź zaplątać się w nich.
- Przez cały czas należy sprawdzać, czy za krzakami lub roślinami, które mają być przycinane, nie ma żadnych osób lub zwierząt. Praca podobnych narzędzi w pobliżu zwiększa ryzyko urazu słuchu oraz wtargnięcia innej osoby na miejsce pracy.
- Systematycznie sprawdzać, czy wszystkie nakrętki, wkrety i śruby są dobrze dokręcone, aby upewnić się, że produkt jest w bezpiecznym stanie. Każdą uszkodzoną część należy odpowiednio naprawić lub wymienić w autoryzowanym punkcie serwisowym.

⚠ OSTRZEŻENIE

Gdy przycisk przepustnicy jest zwolniony i silnik pracuje na wolnych obrotach, osprzęt tnący lub ostrze nie mogą się poruszać. Jeśli elementy te nadal poruszają się, występuje ryzyko poważnych obrażeń ciała operatora. Nie używać maszyny. Zwrócić maszynę do autoryzowanego punktu serwisowego w celu przeprowadzenia fachowej regulacji.

- Nie dotykać urządzenia w pobliżu tłumika lub silnika, te elementy nagrzewają się podczas pracy.
- Nie modyfikować produktu w jakikolwiek sposób.
- Nie wymuszać pracy przycinarki w gęstych krzewach. Może to spowodować ściepienie noży i zwolnienie ich pracy. Gdy noże zwalniają, zmniejszyć prędkość posuwu.
- Nie należy próbować przecinać konarów lub gałęzi o średnicy większej niż 28 mm lub zbyt dużych. Do docinania większych konarów należy używać piły ręcznej lub piły ogrodniczej.
- Pamiętać o utrzymaniu uruchomionego lub gorącego silnika (i tłumika) z dala od materiałów palnych, tak by ograniczyć ryzyko pożaru.

TRANSPORT I PRZECHOWYWANIE

- Przed schowaniem lub transportem urządzenia należy zatrzymać je i odczekać, aż ostygnie.
- Usunąć z produktu wszelkie zanieczyszczenia.
- Osłonić ostrze ochroniaczem (pokrowcem).
- Spuścić całe pozostałe paliwo ze zbiornika do pojemnika zatwierdzonego dla benzyny. Należy pamiętać o ponownym założeniu i dokręceniu korka wlewu paliwa.
- Uruchomić silnik i odczekać aż sam zgaśnie. Pozwoli to na usunięcie ciepła paliwa, które mogłoby utracić świeżość, co mogłoby skutkować powstaniem osadu w układzie paliwowym.
- Przechowywać produkt w chłodnym, suchym i dobrze wentylowanym miejscu, które jest niedostępne dla dzieci oraz znajduje się z dala od źródeł zapłonu.
- Nie chowajcie jej w pobliżu czynników żrących, takich jak ogrodowe produkty chemiczne czy sole odmrażające.
- Nie przechowywać na zewnątrz.
- W przypadku transportu produktu należy zabezpieczyć go przed przemieszczaniem się lub upadkiem, aby nie dopuścić do obrażeń ciała lub uszkodzenia urządzenia.
- Nie wolno przenosić ani transportować uruchomionego produktu.
- Odnieście się do przepisów krajowych i lokalnych w zakresie magazynowania i manipulowania paliwa.

Przechowywanie krótkoterminowe (poniżej 1 miesiąca)

- Przed schowaniem zatrzymać silnik i poczekać, aż ostygnie.
- Osłonić ostrze ochroniaczem (pokrowcem).
- Przechowywać produkt w chłodnym, suchym i dobrze wentylowanym miejscu, które jest niedostępne dla dzieci oraz znajduje się z dala od źródeł zapłonu.

- Nie chowajcie jej w pobliżu czynników żrących, takich jak ogrodowe produkty chemiczne czy sole odmrażające.
- Nie przechowywać na zewnątrz.

KONSERWACJA

⚠ OSTRZEŻENIE

Serwisowanie wymaga wyjątkowej staranności i wiedzy. Może być wykonywane wyłącznie przez wykwalifikowany personel serwisowy. W celu naprawy zaleca się oddać kosiarkę do najbliższego autoryzowanego punktu serwisowego. Do napraw używać wyłącznie identycznych zamienników.

⚠ OSTRZEŻENIE

Ostrza są ostre. Podczas prac związanych z zespołem ostrza, należy nosić antypoślizgowe, grube rękawice ochronne. Nie wkładać rąk lub palców pomiędzy ostrza ani w miejsce, gdzie może dojść do przecięcia lub zakleszczenia. Nigdy nie dotykać ostrzy ani nie serwisować produktu, gdy podłączony jest przewód świecy zapłonowej.

⚠ OSTRZEŻENIE

Nie wolno dopuścić do kontaktu plastikowych części z płynem hamulcowym, benzyną, produktami ropopochodnymi, olejami penetrującymi itp. Substancje chemiczne mogą uszkodzić, osłabić lub zniszczyć tworzywo sztuczne, co może spowodować poważne obrażenia ciała.

⚠ OSTRZEŻENIE

Nie należy modyfikować narzędzia lub korzystać z akcesoriów, które nie są przeznaczone dla tego urządzenia. Dokonanie zmian konstrukcyjnych lub modyfikacji jest postępowaniem niezgodnym z przeznaczeniem i może być przyczyną wystąpienia niebezpiecznych warunków grożących poważnymi obrażeniami.

- Możesz wykonywać czynności regulacyjne i naprawcze opisane w tej instrukcji obsługi. W przypadku innych napraw należy skontaktować się autoryzowanym punktem serwisowym.
- Konsekwencje nieprawidłowej konserwacji mogą obejmować nadmiar nagaru, który wpływa na spadek wydajności oraz kapanie czarnej oleistej cieczy z tłumika.
- Po każdym użyciu należy wyczyścić korpus oraz uchwyt produktu miękką, suchą szmatką.
- Po każdym użyciu należy usunąć pozostałości z ostrzy za pomocą sztywnej szczotki, a następnie, przed montażem osłony ostrza, ostrożnie nanieść środek smarny chroniący przed rdzą. Producent zaleca stosowanie natryskowego środka smarnego chroniącego przed rdzą w celu naniesienia

równomiernej warstwy oraz aby ograniczyć ryzyko obrażeń ciała na skutek kontaktu z ostrzami. Informacje na temat odpowiedniego produktu natryskowego można uzyskać w lokalnym autoryzowanym punkcie serwisowym.

- Przy pomocy powyżej metody można nasmarować lekko ostrza przed użyciem, jeśli występuje taka potrzeba.
- Systematycznie sprawdzać, czy wszystkie nakrętki, wkręty i śruby są dobrze dokręcone, aby upewnić się, że produkt jest w bezpiecznym stanie. Każdą uszkodzoną część należy odpowiednio naprawić lub wymienić w autoryzowanym punkcie serwisowym.

WYMIANA OSTRZY

- Systematycznie sprawdzać ostrza na oznaki uszkodzenia i zużycia. Jeżeli którekolwiek ostrza zostaną uszkodzone, powinny zostać należycie naprawione lub wymienione przez autoryzowane centrum serwisowe.

USUWANIE ZABLOKOWANYCH ELEMENTÓW

- Zatrzymać silnik i poczekać, aż wszystkie ruchome części zatrzymają się.
- Odłączyć przewód świecy zapłonowej.
- Ostrza są ostre. W trakcie pracy w pobliżu ostrzy nosić wytrzymałe rękawice.
- Ostrożnie usunąć obiekt lub ścinki zakleszczone przy ostrzach lub innych ruchomych częściach.

RYZYKO ZWIĄZANE Z UŻYTKOWANIEM

Nawet jeśli produkt jest używany zgodnie z zaleceniami, nadal nie jest możliwe wyeliminowanie określonych czynników ryzyka. Następujące zagrożenia mogą wystąpić podczas używania urządzenia i operator powinien zwracać szczególną uwagę na poniższe punkty:

- Urazy spowodowane kontaktem z ostrzami
 - Osłony ostrzy muszą być zamontowane, kiedy produkt nie jest używany. Nigdy nie zbliżać rąk i nóg w pobliże ostrzy.
- Urazy ciała spowodowane przez wibracje.
 - Zawsze należy używać do określonego zadania odpowiednich narzędzi, korzystać z przeznaczonych do tego uchwytów i stosować się do zaleceń dotyczących czasu pracy i narażenia. Patrz: rozdział „Ograniczenie ryzyka” w niniejszej instrukcji.
- Uszkodzenie słuchu spowodowane narażeniem na hałas.
 - Należy nosić środki ochrony uszu oraz ograniczyć poziom narażenia.
- Występuje ryzyko spowodowane odrzucanymi obiektami.
 - Stosować przez cały czas środki ochrony oczu.
- Urazy spowodowane spadającymi przedmiotami.
 - W przypadku pracy w miejscu, gdzie występuje ryzyko spadających przedmiotów, należy nosić kask.

OGRANICZENIE RYZYKA

Badania dowodzą, że wibracje powodowane przez narzędzia ręczne mogą wywoływać u niektórych osób objawy syndromu Raynauda. Typowe objawy to mrowienie, drętwienie i blednięcie palców, widoczne zwykle po wystawieniu na działanie zimna. Uważa się, że czynniki dziedziczne, wystawienie na działanie zimna i wilgoci, dieta, palenie papierosów i przyjęte zwyczaje przyczyniają się do rozwoju tych objawów. Istnieją środki zaradcze, które może podjąć operator narzędzia, aby zmniejszyć efekt wibracji:

- Zadać w niskich temperaturach o ciepłotę własnego ciała, zakładając odpowiednie ubranie. Podczas obsługi produktu należy nosić rękawice, aby dłonie i nadgarstki były ciepłe. Wiadomo, że niskie temperatury są główną przyczyną powstawania objawu Raynauda.
- Podczas przerw w pracy należy wykonywać ćwiczenia poprawiające krążenie krwi..
- Podczas pracy robić częste przerwy. Ograniczyć ekspozycję w ciągu dnia.

W razie doświadczenia dowolnego z wymienionych objawów, należy niezwłocznie zaprzestać użytkowania tego urządzenia i skontaktować się z lekarzem.

⚠ OSTRZEŻENIE

Długotrwałe użytkowanie narzędzia może spowodować obrażenia ciała lub nasilić dolegliwości zdrowotne. W przypadku używania narzędzia przed dłuższy czas należy pamiętać o regularnych przerwach.

ZAPOZNAJ SIĘ ZE SWOIM PRODUKTEM

Patrz str. 191.

1. Suwak przepustnicy
2. Pompka paliwowa
3. Osłona ochronna
4. Przedni uchwyt
5. Osłona świecy zapłonowej
6. Uchwyt rozrusznika
7. Ostrze
8. Pokrywa filtra powietrza
9. Pokrętko pokrywy czepni powietrza
10. Korek paliwa
11. Spust zamka obrotowego uchwytu
12. Spust przepustnicy
13. Rękojeść obrotowa
14. Blokada spustu przepustnicy
15. Przełącznik W-Wył
16. Pochwa

SYMBOLY PRODUKTU



Alarm bezpieczeństwa



Aby zmniejszyć ryzyko zranienia, użytkownik musi przeczytać i zrozumieć podręcznik obsługi przed przystąpieniem do użytkowania tego urządzenia.



Nosić środki ochrony słuchu



Zakładać środki ochrony wzroku



Podczas pracy przycinarkę do żywoptłów należy trzymać obiema rękami.



Zakładać antypoślizgowe, grube rękawice ochronne.



Aby nie dopuścić do poważnych urazów ciała, nie należy dotykać ostrzy.



Uwaga na odrzucane przedmioty. Wszystkie osoby postronne, a szczególnie dzieci i zwierzęta, muszą znajdować się w odległości przynajmniej 15 metrów od miejsca pracy.



Stosować benzynę bezołowiową do pojazdów samochodowych o liczbie oktanowej 91 (R + M)/2 lub wyższej.



Stosować olej syntetyczny przeznaczony do silników 2-suwowych do silników chłodzonych powietrzem.



Przed uzupełnieniem paliwa wymieszaj je z olejem do silników dwusuwowych.



Aby zmniejszyć ryzyko zranienia lub uszkodzenia, należy unikać kontaktu z gorącymi powierzchniami.



Naciśnij pompkę ręczną paliwa 10 razy.



Ustaw dźwignię ssania w położeniu „FULL”.



Ustaw dźwignię ssania w położeniu „HALF”.



Ustaw dźwignię ssania w położeniu „RUN”.



Silnik powinien pracować na wolnych obrotach przez 10 sekund.



Pociągnij za uchwyt rozrusznika tak, aby uruchomić silnik.



Uruchamianie zimnego silnika



Uruchamianie ciepłego silnika



Aby obrócić uchwyt obrotowy, wyciągnąć blokadę spustu obrotów uchwytu. Obrócić uchwyt w prawo lub w lewo i zwolnić blokadę spustu obrotów uchwytu. Kontynuować obracanie uchwytu, dopóki nie zablokuje się w położeniu 45° lub 90°.



Naciśnij blokadę spustu i spust przepustnicy.



Przed podjęciem próby rozruchu ustawić przełącznik w położeniu „I”.



Narzędzie to spełnia wymogi wszystkich norm reglamentacji kraju UE, w którym było ono zakupione.



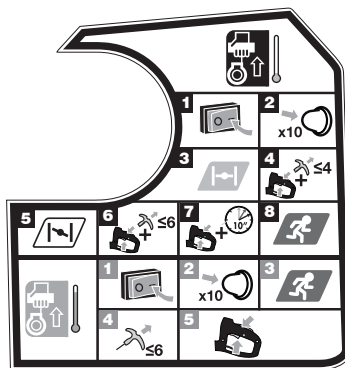
Znak zgodności EurAsian



Ukraiński znak zgodności



Gwarantowany poziom mocy akustycznej wynosi 105 dB



OBJAŚNIENIE: Umieścić przycinarkę na równym podłożu, upewniając się, że w bezpośredniej bliskości nie ma żadnych przedmiotów, z którymi mogłyby się zetknąć ostrze.

Aby uruchomić zimny silnik:

1. Ustawić wyłącznik w położeniu „I”.
2. Naciśnij pompkę ręczną paliwa 10 razy.
OBJAŚNIENIE: Po siedmiu naciśnięciach paliwo powinno być widoczne w zbiorniczku pompki ręcznej paliwa. W przeciwnym wypadku kontynuować naciskanie, aż będzie widoczne paliwo.
3. Ustawić dźwignię przepustnicy w pozycji
4. Naciśnij blokadę spustu i spust przepustnicy. Pociągnąć

- za uchwyt rozrusznika tak, aby uruchomić silnik. Nie ciągnąć za uchwyt rozrusznika więcej niż 4 razy.
5. Ustawić dźwignię przepustnicy w pozycji I↯.
 6. PNaciśnij blokadę spustu i spust przepustnicy. Pociągnij za uchwyt rozrusznika tak, aby uruchomić silnik. Nie ciągnąć za uchwyt rozrusznika więcej niż 6 razy.
 7. Naciśnij blokadę spustu i spust przepustnicy. Silnik powinien pracować na wolnych obrotach przez 10 sekund.
 8. Ustawić dźwignię przepustnicy w pozycji ↯.

Aby uruchomić gorący silnik:

1. Ustawić wyłącznik w położeniu „I”.
2. Naciśnij pompkę ręczną paliwa 10 razy.
OBJAŚNIENIE: Po siedmiu naciśnięciach paliwo powinno być widoczne w zbiorniczku pompki ręcznej paliwa. W przeciwnym wypadku kontynuować naciskanie, aż będzie widoczne paliwo.
3. Ustawić dźwignię przepustnicy w pozycji ↯.
4. Przytrzymać i mocno ścisnąć lewą dłoń uchwyt obrotowy, spust przepustnicy oraz blokadę spustu przepustnicy. Pociągnij za uchwyt rozrusznika tak, aby uruchomić silnik. Nie ciągnąć za uchwyt rozrusznika więcej niż 6 razy.
5. Naciśnij blokadę spustu i spust przepustnicy.

spowodować mniejsze lub bardziej poważne zranienie, jeżeli się nie uniknie tego niebezpieczeństwa.

UWAGA

Bez symbolu ostrzeżenia
Sytuacja, która może grozić uszkodzeniem mienia.

SYMBOLE W TYM PODRĘCZNIKU



Części lub akcesoria sprzedawane oddzielnie



Objaśnienie



Ostrzeżenie!



Nie palić tytoniu podczas mieszania paliwa i tankowania.



Ryzyko pożaru.



Aby zatrzymać produkt, nacisnąć i przytrzymać przełącznik I/O w położeniu „O”.

Poniższe symbole i nazwy które im nadano, pozwalają wyjaśnić różne poziomy ryzyka związanego z używaniem tego narzędzia.

⚠ NIEBEZPIECZEŃSTWO

Wskazuje na realne zagrożenie, które może spowodować śmierć lub poważne zranienie, jeżeli się nie uniknie tego niebezpieczeństwa.

⚠ OSTRZEŻENIE

Wskazuje na potencjalne zagrożenie, które może spowodować śmierć lub poważne zranienie, jeżeli się nie uniknie tego niebezpieczeństwa.

⚠ UWAGA

Wskazuje na potencjalne zagrożenie, które może

HARMONOGRAM KONSERWACJI



	Przed każdym użyciem	Po 1 miesiącu lub 20 maszyno- godzinach	Co 3 miesiące lub 50 maszyno- godzin	Co 6 miesiące lub 100 maszyno- godzin	Co roku lub po 300 maszyno- godzinach
Sprawdzić olej silnikowy	■				
Wymenić olej silnikowy		■		■	
Sprawdzić filtr powietrza	■				
Wyczyścić filtr powietrza.			■		
Wymenić filtr powietrza					■
Sprawdzić/wyregulować świecę zapłonową				■	
Wymenić filtr paliwa					■
Sprawdzić/wyregulować bieg jałowy					■
Wyczyścić siatkę iskrochwytu.			■		
W razie potrzeby wymienić odiskiem.					■
Sprawdzić/wyregulować luz zaworu ¹					■
Wyczyścić zbiornik i filtr paliwa ¹				■	
Sprawdzić przewód paliwowy	■				
Kontrola filtra paliwa	■				
Wymenić filtr paliwa					■
Sprawdzić wszystkie podłączenia wężyków	■				
Sprawdzić odpowietrznik zbiornika paliwa (jeśli występuje)	■				
Sprawdzić węglowy pochłaniacz oparów (tylko modele z gaźnikiem)	■				

1. Te czynności powinny być wykonywane wyłącznie przez autoryzowane centrum serwisowe.

UWAGI:

- Konserwację należy przeprowadzać częściej, gdy produkt jest użytkowany w miejscach zapyłonych.
- Jeżeli maksymalne wartości podane w tabeli zostaną przekroczone, czynności konserwacyjne należy nadal przeprowadzać w określonych odstępach.

ROZWIĄZYWANIE PROBLEMÓW

Problem	Możliwa przyczyna	Rozwiązanie
Silnik nie uruchamia się.	Brak iskry.	Sprawdzić, czy występuje iskra. Zdjąć świecę zapłonową. Ponownie załączyć fajkę świecy zapłonowej i położyć świecę zapłonową na metalowym cylindrze. Pociągnąć linkę rozrusznika i obserwować końcówkę świecy zapłonowej pod kątem występowania iskry. W przypadku braku iskry powtórzyć test z nową świecą zapłonową.
	Brak paliwa	Wcisnąć bańkę pompy zastrzykowej dopóki nie napełni się paliwem. Jeżeli bańka nie napełni się, będzie to oznaczać, że układ doprowadzenia paliwa jest zablokowany. Skontaktować się z dealerem serwisu. Jeżeli bańka pompy zastrzykowej napełnia się, oznacza to, że silnik może być zalany — należy wówczas przejść do kolejnej czynności.
	Silnik jest zalany.	Pociągnąć 3 razy uchwyt rozrusznika przy dźwigni przepustnicy w pozycji  . Jeżeli silnik nie uruchomi się, przestawić dźwignię przepustnicy w pozycję  i ponownie wykonać zwykłą procedurę uruchamiania. Jeżeli mimo to silnik nie daje się uruchomić, to należy powtórzyć powyższą procedurę, lecz przy założonej nowej świecy.
	Linka rozrusznika stawia opór.	Skontaktować się z dealerem serwisu.
Silnik uruchamia się, ale nie zwiększa obrotów.	Rozgrzanie silnika trwa około 3 minut.	Poczekać, aż silnik całkowicie się rozgrzeje. Jeżeli silnik nie zacznie przyspieszać po upływie 3 minut, skontaktować się z serwisem.
Silnik uruchamia się, ale działa wyłącznie na wysokich obrotach przy przepustnicy otwartej do połowy.	Gaźnik wymaga regulacji.	Skontaktować się z dealerem serwisu.
Silnik nie uzyskuje pełnych obrotów i/lub wydziela zbyt dużo dymu.	Nieprawidłowa mieszanka paliwowa.	Używać świeżego paliwa i poprawić stosunek mieszanki ilości oleju do silników 2-suwowych / ilości paliwa.
	Brudny filtr powietrza.	Oczyścić filtr powietrza. Patrz sekcja Czyszczenie filtra powietrza w dziale Konserwacja.
	Siatka iskrochwyty jest brudna.	Skontaktować się z dealerem serwisu.
Silnik zapala, pracuje i przyspiesza, ale gaśnie przy wolnych obrotach.	Śruba biegu jałowego na gaźniku wymaga regulacji.	Skontaktować się z dealerem serwisu.

Při návrhu benzínového plotostříhu byl kladen obzvláštní důraz na bezpečnost, výkon a spolehlivost.

ZAMÝŠLENÉ POUŽITÍ

Benzínový plotostříh smí používat pouze dospělé osoby, které si přečetly a řádně pochopily pokyny a upozornění v tomto návodu, a mohou být považovány za zodpovědné za své činy.

Tento výrobek je určen pouze pro venkovní používání v dobře větrané oblasti. Z bezpečnostních důvodů je nutné s produktem řádně manipulovat oběma rukama.

Výrobek je navržen pro domácí používání. Zařízení je určeno ke stříhání živých plotů, keřů a obdobné vegetace se stonky či větvičkami o tloušťce do 28 mm. Měl by se používat v suchých, dobře osvětlených podmínkách.

NENÍ určen pro sekání trávy, stromů nebo větví. Neměl by se používat pro jiné účely než stříhání živých plotů.

VAROVÁNÍ

Abyste se vyhnuli vážným osobním poraněním, nepokoušejte se tento výrobek používat, dokud jste řádně nepřečetli a nepochopili celý návod k použití. Uchovejte si tento návod k obsluze a často se do něj dívejte, abyste stále bezpečně pracovali a poučte ostatní, kteří by mohli nástroj používat.

Uchovejte tyto pokyny.

VŠEOBECNÁ BEZPEČNOSTNÍ VAROVÁNÍ

VAROVÁNÍ

Přečtěte si všechny pokyny a bezpečnostní varování. Opomenutí dodržování varování a pokynů uvedených níže může způsobit požár a/nebo vážná poranění osob. Uchovejte všechny pokyny a upozornění, abyste se k nim mohli v budoucnosti vrátit.

PŘÍPRAVA

VAROVÁNÍ

Tento přístroj může způsobit vážná poranění. Řádně si přečtěte pokyny pro správnou obsluhu, přípravu, údržbu, spouštění a zastavování přístroje. Seznamte se s všemi ovládacími a řádným používáním výrobku.

- Nenechávejte děti nebo neproškolené osoby používat tento přístroj.
- uvědomte si nebezpečí z vedení elektřiny na sloupech
- Všechny přihlízející, děti a zvířata udržujte ve vzdálenosti alespoň 15 m. Nikdy nepracujte s přístrojem, když jsou v blízkosti osoby, obzvláště děti nebo domácí zvířata.
- Správně se oblékejte. Nenoste volné oblečení ani šperky; mohou se zachytit do pohyblivých částí.

VAROVÁNÍ

Obsluha každého poháněného nástroje může způsobit vniknutí cizího tělesa do očí a způsobit vážná osobní poranění. Před uvedením výrobku do provozu si vždy nasadte ochranné brýle nebo brýle s ochrannými postranicemi, popřípadě ochranný štít přes tvář. Doporučujeme bezpečnostní masku Wide Vision při nošení dioptrických brýlí nebo standardní bezpečnostní brýle s postranními štíty.

- Zařízení nepoužívejte, pokud jste na boso nebo v sandálech či obdobně lehké obuvi. Obujte si protiskluzové, ochranné boty na ochranu nohou a lepší stabilitu na kluzkých površích.

VAROVÁNÍ

Při manipulaci buďte velmi opatrní. Benzín je hořlavý a výpary jsou toxické a výbušné.

- Používejte pouze palivové nádoby určené na benzín.
- Před spuštěním motoru přilijte palivo. Nikdy neodstraňujte kryt palivové nádrže ani nepřilévajte palivo, když motor běží nebo když je horký.
- Nekuřte.
- Palivo vždy dolévejte venku. Nikdy nedolévejte palivo uvnitř ani ve špatně větraném prostoru. Uchovávejte mimo zdrojů vznícení, jisker a plamenů.
- Nikdy neuchovávejte výrobek s palivem v palivové nádrži uvnitř budovy, kde jsou přítomny zdroje vznícení, jako topná tělesa, sušičky na prádlo apod.
- Pokud jste při plnění nádrže potřísnili palivem kryt pily, je nutné pilu pečlivě otřít. Přesuňte se o 9 m (30 stop) od místa doplnění před spuštěním motoru.
- Vraťte palivovou nádrž a kryty nádoby bezpečně na původní místo.
- Pokud se musí nádrž pro palivo vypustit, provádějte pouze ve venkovních prostorech.
- Pokud řezací mechanismus udeří do cizích předmětů, nebo pokud začne nepřirozený hluk nebo vibrace, odpojte od zdroje napájení a nechejte stroj zastavit. Odpojte zapalovací kabel od zapalovací svíčky a proveďte následující kroky:
 - zjistěte škody
 - Proveďte kontrolu a veškeré volné díly vyměňte. Musí-li se poškozené součásti vyměnit nebo opravit, musí mít stejné specifikace.

VAROVÁNÍ

Tento produkt je při provozu hlučný. Ke snížení rizika dlouhodobého poškození sluchu je nutné používat chrániče na uši.

VAROVÁNÍ

Z bezpečnostních důvodů používejte při práci uzavřené ochranné brýle (s boční ochranou). Nedodržení tohoto bezpečnostního pokynu může způsobit vniknutí cizích těles do očí a vážné poškození zraku.

- Zastavení motoru v nouzové situaci: Posuňte spínač do vypnuté polohy (O).

POUŽITÍ

- Vždy zastavte motor, odpojte kryt ze zapalovací svíčky, nechte vychladit a ujistěte se, že všechny části jsou zcela zastaveny, a to před:
 - Plnění palivové nádrže
 - úprava provozní polohy nebo pozice zadní rukojeti
 - ponechání výrobku bez dozoru
 - čištění výrobku
 - výměna příslušenství
 - Odstraňování blokování
 - kontrola případného poškození po nárazu do předmětu
 - kontrola případného poškození, pokud začne výrobek nezvykle vibrovat
 - provádění údržby
- Motor nezapínajte, dokud nemáte plotostřih v bezpečné pracovní pozici. Výrobce doporučuje před spuštěním motoru výrobek umístit na zem, kde se čepele nemohou ničeho dotknout.
- Při používání plotostřihu se nesnažte dosahovat příliš vysoko ani nestůjte na vratké podpěře. Udržujte řádné postavení a rovnováhu po celou dobu práce. Výrobce nedoporučuje používat žebřík nebo schůdky. Je-li třeba práci vykonávat ve výšce, použijte nástroj pro práci ve výškách.
- Nepokoušejte se stroj provozovat s poškozeným nebo velmi opotřebovaným řezacím zařízením.
- Pro snížení nebezpečí požáru od motoru a tlumiče udržujte je bez nečistot, listů nebo nadměrné mastnoty.
- Vždy se ujistěte, že jsou nainstalovány všechny rukojeti a ochrany, když stroj používáte. Nikdy se nepokoušejte používat neúplný výrobek nebo výrobek opatřený neautorizovanými úpravami.
- K obsluze nástroje vždy používejte obě ruce umístěné na rukojetích.
- Seznamte se s prostředím, ve kterém budete plotostřih používat a uvědomte si různé nebezpečné situace, které mohou vzniknout a které mohou být překryty hlukem nářadí za provozu.

DOPLŇUJÍCÍ VAROVÁNÍ

- Nespouštějte motor v uzavřených prostorech, kde se může z motoru kumulovat nebezpečný oxid uhelnatý. Oxid uhelnatý, mimořádně nebezpečný plyn bez barvy a bez zápachu, může vyvolat bezvědomí nebo smrt.
- Nepoužívejte, pokud jste unaveni nebo pod vlivem drog, alkoholu nebo léků.
- Před každým použitím se ujistěte, že všechny ovladače a jištění řádně fungují. Nástroj nepoužívejte, pokud

přepínač „nevypíná“ (off) motor. Poškozené spínače smí vyměnit pouze pověřené servisní středisko.

- Zkontrolujte nástroj před každým použitím. Zkontrolujte, zda nejsou uvolněny sponky, neuniká palivo atd. Nepoužívejte, pokud uniká palivo nebo pokud nejsou rukojeť a kryty zajištěné a plně funkční.
- Dlouhé vlasy si svažte nad rameny, aby se nemohly zaplést do pohyblivých částí.
- Neprovazujte při slabém osvětlení. Obsluha musí mít čistý výhled na pracovní oblast k identifikaci potenciálních nebezpečí.
- Před každým použitím si vyčistěte pracovní oblast. Odstraňte veškeré nežádoucí předměty jako květináče, dráty nebo provazy.
- Neustále sledujte osoby či zvířata před nebo za plotem či křovinami, které se mají stříhat. Obsluha podobných nástrojů zvyšuje jak nebezpečí poranění sluchu, tak osob vstupujících do zóny práce.
- Zkontrolujte všechny šrouby, matice v častých intervalech na řádné utažení, aby se zajistilo, že výrobek bude pracovat v bezpečných pracovních podmínkách. Jakýkoliv poškozený díl je nutné správně opravit nebo nechat vyměnit v autorizovaném servisním středisku.

VAROVÁNÍ

Po uvolnění spouště plynu a uvedení motoru do volnoběžných otáček se nesmí žáci doplňků nebo nůž pohybovat. Dochází-li k pohybu, hrozí vážné poranění obsluhy. Nepoužívejte nástroj. Obratě se pro profesionální seřízení a opravu na autorizované servisní centrum.

- Nedotýkejte se oblasti okolo tlumiče a motoru zařízení, během funkce se mohou velmi zahřát.
- Výrobek žádným způsobem neupravujte.
- Nepoužívejte násilí při stříhání tvrdých keřů. Může to způsobit zaseknutí nože do dřeva a zpomalování. Pokud se nože zpomalují, snižte rychlost.
- Nepokoušejte se řezat větve nebo kmeny silnější než 28 mm nebo evidentně příliš silné, na které nože nestačí. Použijte neelektrickou ruční pilu nebo vyvrtávací pilu pro řezání velkých větví.
- Jako opatření proti vzniku požáru udržujte běžící nebo horký motor a tlumič mimo dosah vznětlivých materiálů.

TRANSPORT A SKLADOVÁNÍ

- Před skladováním a transportem nechejte přístroj vždy zastavit a vychladnout.
- Odstraňte z výrobku všechny cizí materiály.
- Čepele zasuňte do ochranného pouzdra.
- Vylijte palivo z nádrže do kanystru nebo do jiné nádoby, ve které lze uchovávat benzin. Řádně nasadte uzávěr palivové nádrže a utáhněte.
- Zapněte motor a nechte ho běžet, dokud se sám nevypne pro nedostatek paliva. Odstraní se tak veškerý benzin, který by mohl po čase zanechat stopy laku a pryže v palivovém systému.
- Výrobek uchovejte na chladném, suchém a dobře větraném místě, kam nemají přístup děti, a mimo zdroje vznícení.



- Nářadí neuskładňujte v blízkosti žíravných látek, jako například v blízkosti zahrádkářských nebo zahradnických chemických přípravků nebo soli na zimní sypaní komunikací.
- Neskladujte mimo budovu.
- Při transportu výrobku zajistěte proti pohybům nebo pádu, abyste zabránili poranění osob nebo poškození výrobku.
- Nepřenášejte či nepřeppravujte nástroj, když běží.
- Dodržujte veškeré národní závazné předpisy v oblasti přepravy a skladování pohonných hmot.

Krátkodobé skladování (méně než 1 měsíc)

- Zastavte motor a před uschováním jej nechte vychladnout.
- Čepel zasuňte do ochranného pouzdra.
- Výrobek uchovejte na chladném, suchém a dobře větraném místě, kam nemají přístup děti, a mimo zdroje vznícení.
- Nářadí neuskładňujte v blízkosti žíravných látek, jako například v blízkosti zahrádkářských nebo zahradnických chemických přípravků nebo soli na zimní sypaní komunikací.
- Neskladujte mimo budovu.

ÚDRŽBA

VAROVÁNÍ

Údržba vyžaduje extrémní péči a znalosti a měla by být prováděna pouze kvalifikovaným servisním technikem. Pro opravu nebo servis doporučujeme výrobek vrátit do nejbližšího pověřeného opravárenského střediska. Pokud opravujete, používejte pouze stejné náhradní díly.

VAROVÁNÍ

Žací lišty jsou ostré. Noste nekouzavé, odolné ochranné rukavice, když manipulujete s žací lištou. Nedávejte své ruce a prsty mezi žací lišty nebo do jakéhokoliv místa, kdy by se mohli uřezat nebo přiskřípnout. Nikdy se nedotýkejte čepelí ani neprovádějte údržbu výrobku, když je drát zapalovací svíčky zapojen.

VAROVÁNÍ

Nikdy nenechte přijít brzdové kapaliny, petrolej, výrobky založené na petroleji, pronikavé oleje, atd. do kontaktu s plastovými součástmi. Chemikálie mohou poškodit, oslabit nebo zničit plast, který může mít za následek vážná osobní poranění.

VAROVÁNÍ

Nepokoušejte se tento výrobek upravovat nebo vyrábět příslušenství, které nejsou doporučeny k tomuto výrobku. Jakékoliv úpravy nebo přestavby je nesprávné zacházení mohou mít za následek nebezpečné podmínky vedoucí k vážným osobním poraněním.

- Můžete provádět v návodu k obsluze uvedené opravy a seřízení. Další opravy se smí provádět pouze u pověřených servisních prodejců.
- Následky nesprávné údržby mohou zahrnovat nadměrné usazování uhlíkových usazenin s následkem ztráty výkonu a vytékání černých olejovitých zbytků z tlumiče.
- Po každém použití očistěte těleso a rukojeti výrobku měkkým a suchým hadříkem.
- Po každém použití očistěte nečistoty z nožů tvrdým štětcem a poté opatrně naneste antikoroziční přípravek před upevněním krytu nože. Výrobce doporučuje používat antikoroziční a mazací sprej pro rovnoměrné nanesení a snížení nebezpečí poranění při kontaktu s noží. Informace o vhodném spreji získáte u místního pověřeného servisního střediska.
- Před každým použitím lze nože lehce namazat, je-li to nutné, aplikujte metodu uvedenou výše.
- Zkontrolujte všechny šrouby, matice v častých intervalech na řádné utažení, aby se zajistilo, že výrobek bude pracovat v bezpečných pracovních podmínkách. Jakýkoliv poškozený díl je nutné správně opravit nebo nechat vyměnit v autorizovaném servisním středisku.

VÝMĚNA ČEPELÍ

- Pravidelně kontrolujte nože na poškození a opotřebení. Při poškození čepelí je nutné kontaktovat autorizované servisní centrum a zajistit jejich řádnou opravu či výměnu.

ODSTRANĚNÍ ZABLOKOVÁNÍ

- Zastavte motor a počkejte, až se všechny pohyblivé části zastaví.
- Odpojte zapalovací kabel.
- Nože jsou velmi ostré. Pro práci v blízkosti čepelí používejte hrubé rukavice.
- Opatrně čištěním odstraňte nánosy nebo odpad z čepelí nebo jiných pohyblivých částí.

ZBYTKOVÁ RIZIKA

Dokonce, i když se výrobek provozuje jak je předepsáno, je stále nemožné zcela eliminovat veškeré zbytkové rizikové faktory. Následující nebezpečí mohou nastat při používání; vyhybte se:

- Poranění způsobená kontaktem s řeznými prostředky
 - Když se výrobek nepoužívá, musí být nasazen chrániče čepelí. Ruce a nohy udržujte celou dobu mimo kotouče.
- Poranění způsobené vibracemi.
 - Pro danou práci vždy používejte správný nástroj, navržení rukojeti a dodržujte pracovní dobu a expozici. Přečtěte si v uživatelské příručce část Snížování rizika.
- Poškození sluchu způsobeného expozicí hluku.
 - Noste ochranu sluchu a omezte vystavení.
- Poranění zraku odletujícím materiálem.
 - Vždy noste adekvátní ochranu zraku.
- Zranění způsobená padajícími objekty.



- Noste ochrannou helmu, kde hrozí nebezpečí pádu předmětů.

SNÍŽENÍ RIZIKA

Bylo zjištěno, že vibrace z ručních pracovních nástrojů mohou u některých osob přispívat ke stavu tzv. Raynaud's Syndrome (Raynaudovu syndromu). Mezi jeho příznaky patří brnění, necitlivost a zbledení prstů, patrné obvykle po pobytu v chladu. Vědci se domnívají, že k rozvinutí těchto příznaků přispívají dědičné faktory, pobyt v chladu a vlhku, strava, kouření a pracovní návyky. Uživatel může omezit případné působení vibrací použitím vhodných opatření:

- Za chladného počasí se teple oblečte. Při práci s výrobkem si navlékněte rukavice, abyste udrželi ruce a zápěstí v teple. Bylo zjištěno, že chladné počasí je hlavním faktorem přispívajícím k Raynaud's Syndrome (Raynaudovu syndromu).
- Během práce si v pravidelných intervalech zacvičte, abyste zvýšili krevní oběh.
- Zařazujte časté pracovní přestávky. Omezte dobu práce za den.

Jakmile pocítíte některý z výše uvedených příznaků tohoto syndromu, okamžitě přerušete práci a vyhledejte lékaře.

VAROVÁNÍ

Poranění mohou být způsobena, či zhoršena, prodlouženým používáním nástroje. Když používáte jakýkoliv nástroj delší dobu, dělejte pravidelně přestávky.

POZNEJTE SVŮJ NÁSTROJ

Viz strana 191.

1. Páčka sytiče
2. Čerpadlo
3. Ochrana přední ruky
4. Přední rukojeť
5. Startovací zapalovací svíčka
6. Rukojeť startovacího kabelu (hnací část spouštěče)
7. Nůž
8. Kryt vzduchového filtru
9. Kolečko krytu vzduchové komory
10. Víko nádrže
11. Zajištění otočné rukojeti
12. Spouštěč - zvyšování otáček
13. Otočná rukojeť
14. Zámek palivové páčky
15. Spínač On/Off (Zapnuto/Vypnuto)
16. Pouzdro

SYMBOLY NA VÝROBKU



Bezpečnostní výstraha



Pro snížení nebezpečí poranění musí uživatel před použitím tohoto nástroje přečíst a pochopit návod k použití.



Noste ochranu sluchu



Noste ochranu očí



Plotstřih vždy držte během používání pevně oběma rukama.



Navlékněte si pevné neklouzavé rukavice.



Pro zabránění poranění se nedotýkejte řezacích nožů.



Dávejte pozor na odmrštěné nebo odletující předměty. Všechny přihlížející, zvláště děti a zvířata udržujte ve vzdálenosti alespoň 15 m od pracovní oblasti.



Používejte pouze bezolovnatý benzin pro motorová vozidla s oktanovým číslem 91 ((R + MJ)/2) nebo více.



Používejte syntetické oleje pro dvoudobé motory se vzduchovým chlazením.



Před doplněním paliva důkladně smíchejte palivo a mazadlo na dvoutaktní motor.



Pro snížení nebezpečí poranění nebo poškození se vyhněte kontaktu s jakoukoliv horkou plochou.



Stiskněte 10-krát hlavičku startéru.



Nastavte páku sytiče do polohy „FULL“.



Nastavte páku sytiče do polohy „HALF“.



Nastavte páku sytiče do polohy „RUN“.



Nechte výrobek běžet na volnoběh po 10 sekund.



Tahejte za rukojeť spouštěče, až se spustí.



Startování motoru za studena



Startování motoru za tepla



Abyste mohli rukojeť otočit, zatáhněte za zámek otočné rukojeti. Otočte rukojeť doprava nebo doleva a pusťte zámek otočné rukojeti. Otáčejte rukojeť, dokud nezapadne do polohy 45° nebo 90°.



Stiskněte zámek spouště a spoušť plynu.



Před nastartováním nastavte spínač do polohy "I".



Toto nářadí je v souladu se všemi normami a předpisy platnými v zemi EU, ve které bylo zakoupeno.



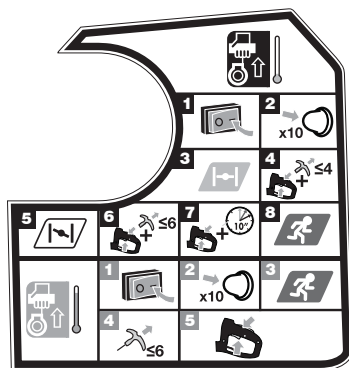
Euroasijská značka shody



Ukrajinská značka shody





Zaručená hladina akustického výkonu je 105 dB.




POZNÁMKA: Položte sekačku na rovnou zem a zkontrolujte, zda se v blízkosti nenachází žádný předmět nebo překážky, které by mohly přijít do kontaktu s noží.


Spouštění studeného motoru:

1. Vypínač nastavte do polohy „I“.
2. Stiskněte 10-krát hlavičku startéru.
POZNÁMKA: Po 7 stisknutích by mělo být palivo vidět v hlavičce startéru. Pokud ne, mačkejte, až se palivo objeví.
3. Posuňte páčku sytiče do polohy .
4. Stiskněte zámek spouště a spoušť plynu. Tahejte za startovací rukojeť, dokud se motor nepokusí nastartovat. Netahejte za rukojeť startéru více než 4-krát.
5. Posuňte páčku sytiče do polohy .
6. Stiskněte zámek spouště a spoušť plynu. Tahejte za

rukojeť spouštěče, až se spustí. Netahejte za rukojeť startéru více než 6-krát.

7. Stiskněte zámek spouště a spoušť plynu. Nechte výrobek běžet na volnoběh po 10 sekund.
8. Posuňte páčku sytiče do polohy .

Spouštění teplého motoru:

1. Vypínač nastavte do polohy „I“.
2. Stiskněte 10-krát hlavičku startéru.
POZNÁMKA: Po 7 stisknutích by mělo být palivo vidět v hlavičce startéru. Pokud ne, mačkejte, až se palivo objeví.
3. Posuňte páčku sytiče do polohy .
4. Levou rukou uchopte a pevně zmáčkněte otočnou rukojeť, plynovou páčku a zámek plynové páčky. Tahejte za rukojeť spouštěče, až se spustí. Netahejte za rukojeť startéru více než 6-krát.
5. Stiskněte zámek spouště a spoušť plynu.

SYMBOLY V NÁVODU



Díly nebo příslušenství jsou v prodeji samostatně



Poznámka



Varování



Při míchání paliva a plnění palivové nádrže nekuřte.



Riziko požáru.



Výrobek zastavte tak, že zmáčknete a přidržíte spínač I/O v poloze O.

Následující signální slova a významy jsou vhodné pro vysvětlení úrovně nebezpečí spojených s tímto výrobkem.

NEBEZPEČÍ

Označuje bezprostředně rizikovou situaci, které je třeba předejít, jinak bude jejím následkem smrt nebo vážné zranění.

VAROVÁNÍ

Označuje možnou rizikovou situaci, které je třeba předejít, jinak jejím následkem může být smrt nebo vážné zranění.

VAROVÁNÍ

Označuje možnou rizikovou situaci, které je třeba předejít, jinak jejím následkem může být smrt nebo vážné zranění.

VAROVÁNÍ

Bez symbolu bezpečnostní výstrahy

Určuje situaci, která může mít za následek vážné poškození.

PLÁN ÚDRŽBY



	Před každým použitím	Po 1 měsíci či 20 hodinách provozu	Každé 3 měsíce nebo 50 hodin provozu	Každé 3 měsíce nebo 100 hodin provozu	Každý rok nebo po 300 hodinách provozu
Kontrola motorového oleje	■				
Výměna motorového oleje		■		■	
Kontrola vzduchového filtru	■				
Vyčistěte vzduchový filtr.			■		
Výměna vzduchového filtru					■
Kontrola/nastavení zapalovacích svíček				■	
Výměna palivového filtru					■
Kontrola/nastavení volnoběhu					■
Vyčistěte ochrannou mřížku proti jiskření.			■		
Lapač jisker vyměňte za nový.					■
Kontrola/nastavení vůle ventilu ¹					■
Čištění palivové nádrže a filtru ¹				■	
Kontrola benzínové hadičky	■				
Zkontrolujte palivový filtr	■				
Výměna palivového filtru					■
Kontrola všech připojení hadice	■				
Kontrola vzduchového ventilu palivové nádrže (pokud je to nutné)	■				
Kontrola nádobky s aktivním uhlím (pouze u modelů CARB)	■				

1. Tyto činnosti by měly provádět pouze autorizovaná servisní centra.

POZNÁMKY:

- Údržbu je nutné provádět častěji, pokud výrobek používáte v prašném prostředí.
- Pokud výrobek přesáhl maximální hodnoty uvedené v tabulce, údržbu je i přesto nutné provádět pravidelně podle časových a hodinových intervalů zde uvedených.

ŘEŠENÍ PROBLÉMU

Problém	Možná příčina	Řešení
Motor nenastartuje.	Chybí jiskření.	Zkontrolujte jiskry. Vyndejte svíčku. Vraťte kryt zapalovací svíčky a položte zapalovací svíčku na kovový cylinder. Zatáhněte za startovací lanko a zkontrolujte jiskry na konci zapalovací svíčky. Pokud se žádné jiskry netvoří, zopakujte test s novou zapalovací svíčkou.
	Chybí palivo	Stiskněte baňku sytiče, až se baňka zcela naplní palivem. Pokud se baňka nenaplní, je zablokován primární palivový systém. Kontaktujte servisního prodejce. Pokud se baňka naplní, motor může být přeplaven. Postupujte podle dalšího kroku.
	Motor je zahlcen.	Startovací madlo zatáhněte 3 krát s páčkou sytiče v poloze  . Pokud motor nenaskočí, nastavte páčku sytiče do polohy  a zopakujte normální startovací postup. Pokud se i přes provedené úkony nepodaří motor nastartovat, proveďte celý postup ještě jednou s novou zapalovací svíčkou.
	Za startovací kabel se obtížně tahá.	Kontaktujte servisního prodejce.
Motor nastartuje, avšak nezvýší otáčky.	Zahřívání motoru trvá asi 3 min.	Nechte motor zcela zahřát. Pokud se otáčky motoru nezvýší po uplynutí třech minut, obraťte se na servisního prodejce.
Motor se spustí, avšak běží jen při vysokých otáčkách s polovičním sytičem.	Je třeba seřídit karburátor.	Kontaktujte servisního prodejce.
Motor nedosáhne svého plného režimu a/nebo se z něho kouří.	Palivová směs benzin/olej je nesprávně namíchaná.	Použijte čerstvě namíchanou palivovou směs obsahující správný poměr oleje pro dvoudobé motory.
	Je znečištěný vzduchový filtr.	Vyčistěte vzduchový filtr. Podívejte se na Čištění vzduchového filtru v části Údržba.
	Je znečištěná ochranná mřížka proti jiskření.	Kontaktujte servisního prodejce.
Nastartování, chod a zrychlení motoru je normální, ale nelze udržet volnoběh.	Je nutné seřídit šroub volnoběhu na karburátoru.	Kontaktujte servisního prodejce.

A benzines sövényvágó kialakítása során elsődleges szempont volt a biztonság, a teljesítmény és a megbízhatóság.

RENDELTESSZERŰ HASZNÁLAT

A benzines sövényvágót kizárólag olyan felnőttek használhatják, akik elolvasták és megértették a jelen kézikönyv utasításait és figyelmeztetéseit, és tetteikért felelősséget tudnak vállalni.

A termék csak kültéri, jól szellőztetett területen való használatra készült. Biztonsági okokból a terméket kétkézes működtetéssel megfelelő ellenőrzés alatt kell tartani.

A termék otthoni vagy háztartási használatra készült. A készülék sövények, cserjék, és hasonló növények szárának vágására és nyírására, illetve 28 mm-nél vékonyabb ágak vágására szolgál. Száraz, jól megvilágított környezetben kell használni.

NEM használható fű, fák vagy ágak vágására. Sövényvágáson kívül más célra nem használható.

FIGYELMEZTETÉS

A súlyos személyi sérülések elkerülése érdekében addig ne próbálja használni a terméket, amíg teljesen át nem olvasta, és nem értette meg a kezelési útmutatóban foglaltakat. Őrizz meg a kezelői útmutatót, és időnként olvassa át a folyamatosan biztonságos használat érdekében, valamint hogy ismertetni tudja másokkal a termék használati módját.

Őrizz meg ezt az útmutatót.

ÁLTALÁNOS BIZTONSÁGI FIGYELMEZTETÉSEK

FIGYELMEZTETÉS

Olvassa el az összes biztonsági figyelmeztetést és útmutatót. A figyelmeztetések és utasítások be nem tartása tüzet és/vagy súlyos sérülést eredményezhet. Őrizz meg ezeket a figyelmeztetéseket és utasításokat a későbbi tájékozódásra is.

ELŐKÉSZÜLET

FIGYELMEZTETÉS

A gép súlyos sérüléseket okozhat. A gép megfelelő kezeléséhez, előkészítéséhez, karbantartásához, beindításához és leállításához figyelmesen olvassa el az utasításokat. Legyen tisztában a termék kezelőszerveivel és a helyes használatával.

- Ne engedje, hogy gyerekek vagy megfelelő gyakorlattal nem rendelkező személyek használják a terméket.
- óvakodjon az elektromos felsővezetésektől
- A gyerekek, állatok és más személyek legyenek legalább 15 méteres távolságban. Soha ne működtesse a gépet, ha emberek - különösen gyerekek - vagy

állatok vannak a közelben.

- Viseljen megfelelő ruházatot. Ne viseljen laza ruházatot vagy ékszereket, mivel ezek beleakadhatnak a mozgó alkatrészekbe.

FIGYELMEZTETÉS

Elektromos szerszámgépek használata közben idegen tárgyak repülhetnek a szemébe, amelyek súlyos szemkárosodást okozhatnak. A termék használata előtt mindig vegyen fel védőszemüveget vagy oldalvédelemmel ellátott védőszemüveget, szükség esetén teljes arcvédő pajzsot. Javasoljuk, hogy a szemüveg vagy az oldalellenzőkkel felszerelt védőszemüveg mellett viseljen széles látószögű biztonsági álarcot is.

- Ne használja a gépet mezítláb, vagy ha szandált vagy hasonló könnyű lábbelit visel. Viseljen csúszásgátló talpú, munkavédelmi lábbeli, amely védi a lábát, és csúszós felületeken is biztonságosan megállhat.

FIGYELMEZTETÉS

Különös figyelemmel járjon el az üzemanyagok kezelésekor. A benzin gyúlékony, gőzei mérgezők és robbanásveszélyesek.

- Üzemanyagot csak kimondottan arra a célra szolgáló tartályban tároljon.
- A motort indítás előtt tölts fel üzemanyaggal. Soha ne távolítsa el az üzemanyagtartály sapkáját vagy töltsön üzemanyagot miközben a motor jár, vagy ha a motor forró.
- Tilos a dohányzás.
- A feltöltést mindig szabadtérben végezze. Soha ne tankoljon zárt térben vagy rosszul szellőző helyen. Tartsa távol minden gyújtóforrástól, szikrától és lángtól.
- Soha ne tárolja a terméket üzemanyaggal feltöltve olyan épületben, ahol gyújtóforrások vannak jelen, mint például vízmelegítő és fűtőberendezések, szárítógép, és hasonlók.
- Amennyiben kiöntötte a benzint, gondosan törölje le a szerszámot. Menjen 9 m (30 láb) távolságra az újratöltés helyétől a motor beindítása előtt.
- Az üzemanyagtartály és a tartály sapkáját szorosan zárja vissza.
- Az üzemanyagtartály kiürítését a szabadban kell elvégezni.
- Ha a vágómechanizmus bármilyen idegen tárgyat eltalál, vagy ha a gép bármilyen szokatlan hangot vagy vibrációt kezd kibocsátani, állítsa le a hajtóművet, és hagyja leállni a gépet. A gyújtógyertyáról válassza le a gyújtókábelt, és kövesse az alábbi lépéseket:
 - vizsgálja át a gépet sérülések tekintetében
 - ellenőrizze és cserélje ki a meglazult alkatrészeket.Bármilyen sérült alkatrészt azzal azonos jellemzőkkel rendelkezővel kell kicserélni.

FIGYELMEZTETÉS

A termék működés közben hangos. Viseljen fülvédőt a hosszú távú halláskárosodás kockázatának csökkentésére.

FIGYELMEZTETÉS

Viseljen mindig biztonsági szemüveget vagy oldallappal ellátott védőszemüveget, amikor valamilyen szerszámot használ. Ennek az előírásnak a be nem tartása által a felhasználó szemébe idegen test kerülhet és ez súlyos szemsérülést okozhat.

- A motor leállítása vész helyzetben: A főkapcsolót állítsa O helyzetbe.

HASZNÁLAT

- Mindig állítsa le a motort, húzza le a gyújtógyertya pipát a gyújtógyertyáról, hagyja lehűlni, és ellenőrizze, hogy minden mozgó alkatrész teljesen leállt mielőtt:
 - A tartály feltöltése
 - a munkahelyzet, vagy a hátsó fogantyú pozíciójának beállítása
 - a termék felügyelet nélkül hagyása
 - a termék tisztítása
 - a tartozékok cseréje
 - dugulások elhárítása
 - egy tárgy eltalálása után vizsgálja meg, hogy nincsenek-e rajta sérülések
 - Ellenőrizze, hogy a termék nem sérült-e meg, ha a vágó túlzottan vibrálni kezd
 - karbantartás végrehajtása
- Csak akkor indítsa el a motort, ha a sövényvágó biztonságos munkahelyzetben van. A gyártó azt javasolja, hogy a motor beindítása előtt helyezze a terméket a földre, ahol a kések nem érnek hozzá semmihez.
- A sövényvágó használat közben ne nyúljon ki túlságosan messzire vagy ne álljon instabil emelvényen. Mindig tartson megfelelő testtartást és egyensúlyt. A gyártó nem javasolja fellépők vagy létrák használatát. Ha a magasban kell vágni, használjon nagyobb hatótávolságú gépet.
- Ne használja a gépet sérült vagy túlságosan elhasznált vágóeszközzel.
- A tűvesztély csökkentése érdekében a motoron és a hangtompítón ne legyen hulladék, levél vagy túl sok kenőzsír.
- A gép használatakor mindig ügyeljen rá, hogy minden fogantyú és védőburkolat fel legyen szerelve. Soha ne használjon hiányosan, vagy olyan terméket, melyen jogosulatlan módosítást hajtottak végre.
- A két fogantyúval felszerelt gépeket mindig mindkét kezét használva üzemeltesse.
- Mindig figyeljen a környezetére és legyen éber a lehetséges veszélyekre, amelyeket esetleg nem érzékel a gép zaja miatt.

TOVÁBBI FIGYELMEZTETÉS

- Ne működtesse a motort olyan területen, ahol veszélyes szén-monoxid gázok gyűlhetnek össze. A szén-monoxid, egy színtelen, szagtalan, rendkívül veszélyes gáz eszméletvesztést vagy halált okozhat.
- Ne használja a terméket, ha fáradt, beteg vagy alkohol, gyógyszerek, illetve más tudatmódosítók hatása alatt áll.
- Minden használat előtt ellenőrizze, hogy az összes kezelőszerv és biztonsági eszköz megfelelően működik. Ne használja a gépet, ha a főkapcsoló nem állítja le a motort. A hibás kapcsolókat egy hivatalos szervizközpontban ki kell cseréltetni.
- Minden használat előtt vizsgálja át a gépet. Ellenőrizze a meglazult alkatrészeket, az üzemanyag-szivárgást stb. Ne használja, ha az üzemanyag szivárog, vagy ha a fogantyúk és a védőelemek nem biztonságosak vagy nem teljesen működőképesek.
- Ha hosszú a haja, azt a vállvonal felett rögzítse, nehogy beakadjon valamilyen mozgó alkatrészbe.
- Ne használja a gépet gyenge megvilágítás esetén. A kezelőnek tiszta rálátással kell rendelkeznie a munkaterületre, hogy azonosíthassa a potenciális veszélyeket.
- A használat előtt tisztítsa meg a munkaterületet. Távolítsa el az összes idegen tárgyat, mint karókat, drótokat, vagy zsinórokat, amelyek károsíthatják vagy belegabalyodhatnak a mozgó alkatrészekbe vagy vágóeszközbe.
- Személyek vagy állatok tekintetében folyamatosan ellenőrizze a vágandó sövény mögötti és melletti részt. Hasonló gépek egymás közelében történő használata növeli a halláskárosodás veszélyét, valamint annak veszélyét, hogy más személyek lépnek be az Ön munkaterületére.
- Gyakori időközönként ellenőrizze a csavaranyák, csavarok és féjeszavarok megfelelő meghúzását, hogy a termék biztonságos üzemi állapotban legyen. A sérült alkatrészeket egy hivatalos szervizközpontban kell megjavíttatni vagy kicseréltetni.

FIGYELMEZTETÉS

A gázkioldó felengedésekor, amikor a motor alapjáratú fordulatszámon működik, a vágóeszköznek vagy a késnek nem szabad mozognia. Ha mégis mozog, fennáll a kezelő súlyos sérülésének veszélye. Ne használja a gépet. A szakszerű beállításhoz vigye a hivatalos szervizközpontba.

- Ne érjen a gép hangtompítója vagy a motor körüli területekhez, mert ezek a részek működés közben felforrósodnak.
- Ne alakítsa át a terméket semmilyen módon.
- Sűrű bokrokban soha ne erőltesse a sövényvágót. Ez a kések beakadását és a lelassulását okozhatja. Ha a kés lelassult, csökkentse a haladási sebességét.
- Ne próbáljon olyan ágakat vagy tuskákat elvágni, amelyek vastagabbak 28 mm-nél, és olyanokat

sem, amiket nem lehet „megetetni” a vágókéssel. A vastagabb ágakat egy kézíűrész vagy ágazófűrész segítségével vágja le.

- Biztosítsa, hogy az üzemelő vagy forró motor és a hangtompító éghető anyagoktól távol legyen, ezzel csökkenti a tűzveszélyt.

SZÁLLÍTÁS ÉS TÁROLÁS

- Szállítás és tárolás előtt állítsa le és hagyja lehűlni a gépet.
- Minden idegen anyagtól tisztítsa meg a terméket.
- Burkolja a kést a késvédővel (hüvely).
- Öntse az üzemanyagtartályban található összes benzint egy homologizált benzines marmonkannába. Ne feledje helyesen visszarakni és meghúzni az üzemanyagsapkát.
- Járassa a motort, amíg le nem áll. Így eltávolítja az összes üzemanyagot, ami egy idő után beszáradna és lakk, illetve ragacsréteget hagyna maga után az üzemanyagrendszerben.
- A terméket hűvös, száraz és jól szellőző helyen tárolja, amely a gyerekek számára nem hozzáférhető, és távol van a gyújtóforrásoktól.
- Ne tárolja olyan oxidálószeres közelében, mint pl. kerti munkáknál használatos vegyszerek vagy jégmentesítő sók.
- Ne tárolja a szabadban.
- Szállításkor rögzítse a terméket elmozdulás és leesés ellen, hogy elkerülje a sérüléseket és a termék sérülését.
- Ne szállítsa a terméket működő állapotban.
- Az üzemanyag tárolása és kezelése tekintetében lásd a megfelelő országos és helyi rendeleteket.

Rövidtávú tárolás (kevesebb mint 1 hónap)

- Tárolás előtt állítsa le a motort és várjon, míg lehül.
- Burkolja a kést a késvédővel (hüvely).
- A terméket hűvös, száraz és jól szellőző helyen tárolja, amely a gyerekek számára nem hozzáférhető, és távol van a gyújtóforrásoktól.
- Ne tárolja olyan oxidálószeres közelében, mint pl. kerti munkáknál használatos vegyszerek vagy jégmentesítő sók.
- Ne tárolja a szabadban.

KARBANTARTÁS

▲ FIGYELMEZTETÉS

szervizelés különös figyelmet és hozzáértést igényel, és csak szakképzett szerelő végezheti el. Javasoljuk, hogy a szervizeléskor a terméket vigye a legközelebbi hivatalos szervizközpontba javítás céljából. Szervizeléskor csak azonos cserealkatrészeket használjon.

▲ FIGYELMEZTETÉS

A kések élesek. A késszerelvény kezelésekor viseljen csúszásmentes, nehéz igénybevételre tervezett védőkesztyűt. Az ujjait vagy a kezét ne tegye a kések közé vagy bármilyen más pozícióba, ahol becsípódhatnak vagy levághatja azokat. Soha ne érjen a késekhez vagy javítsa a terméket, ha gyújtógyertya kábel csatlakoztatva van.

▲ FIGYELMEZTETÉS

A műanyag részek semmilyen körülmények között nem érintkezhetnek fékolajjal, benzinnel, petróleum alapú termékekkel, beszívódó olajokkal stb. A vegyszerek károsíthatják, gyengíthetik vagy tönkretelthetik a műanyagot, ami súlyos személyi sérülést eredményezhet.

▲ FIGYELMEZTETÉS

Ne próbálja módosítani a terméket vagy olyan kiegészítőket előállítani, amelyeknek a termékkel való használata nem javasolt. Az ilyen módosítás vagy megváltoztatás helytelen használatnak minősül és veszélyes körülményeket eredményezhet, amelyek komoly személyi sérüléshez vezethetnek.

- A használati útmutatóban leírt beállításokat és javításokat Ön is elvégezheti. Az egyéb javításokhoz vegye fel a kapcsolatot a hivatalos szervizzel.
- A helytelen karbantartás következményeként fellépő túlzott koromlerakódás teljesítménycsökkenést eredményezhet, és fekete olajmaradék csöpöghet a hangtompítóból.
- Minden egyes használat után egy puha, száraz ruhával tisztítsa meg a termék házát és fogantyúit.
- Egy kemény kefével minden használat után tisztítsa meg a kést a hulladékoktól, majd a késvédő felszerelése előtt kenjen rá rozsdásodásgátlót. A gyártó azt javasolja, hogy permetezhető rozsdásodásgátlót és kenőanyagot vigyen fel egyenletes rétegben, mert azzal meggátolhatja a késsel való érintkezés miatti személyi sérüléseket. A megfelelő permetezhető termékről kérdezze a helyi hivatalos szervizközpontot.
- A fenti módszert követve használat előtt is felvihet kenőanyagot a késekre.
- Gyakori időközönként ellenőrizze a csavaranyák, csavarok és fejescsavarok megfelelő meghúzását, hogy a termék biztonságos üzemi állapotban legyen. A sérült alkatrészeket egy hivatalos szervizközpontban kell megjavíttatni vagy kicseréltetni.

A KÉSEK CSERÉJE

- Rendszeresen ellenőrizze a késeket, sérülést és elhasználódást keresve. Ha valamelyik kés megsérült, hivatalos szervizközpontban kell kicserélni vagy megjavítani.



ELTÖMÖDÉS MEGSZÜNTETÉSE

- Állítsa le a motort és várja meg, amíg minden mozgó alkatrész megáll.
- Vegye le a gyújtáskábelét.
- A kések élesek. Viseljen strapabíró munkakesztyűt, ha a kések mellett dolgozik.
- Óvatosan távolítsa el a dugulást vagy törmelékét a kések vagy más mozgó alkatrészek körül.

FENNMARADÓ KOCKÁZAT

Még a termék rendeltetésszerű használata esetén sem lehet teljesen kiküszöbölni minden kockázati tényezőt. A gép használata során a következő veszélyek merülhetnek fel, és a kezelőnek különösen oda kell figyelnie az alábbiak elkerülésére:

- Vágóeszközökkel való érintkezés okozta sérülés
 - Győződjön meg arról, hogy a késvédők a helyükön vannak, amikor a terméket nem használja. A kezét és a lábát mindig tartsa távol a késektől.
- A vibráció sérüléseket okozhat.
 - Mindig a munkához megfelelő célszerszámot használja, használja a gépre szerelt fogantyúkat, és korlátozza a munkaidőt és a vibrációnak való kitettséget. Lásd a "Kockázatsökkentés" részt ebben a használati utasításban.
- A zajnak való kitettség halláskárosodást okoz.
 - Viseljen hallásvédőt és korlátozza a zajnak való kitettséget.
- A repülő hulladék okozta szemsérülés.
 - Mindig viseljen szemvédőt.
- A leeső tárgyak sérülést okozhatnak.
 - Kötelező a fejtető viselete, ha olyan területen dolgozik, ahol tárgyak hullhatnak le.

KOCKÁZATCSÖKKENTÉS

Arról számoltak be, hogy a kéziszerszámok használata során fellépő vibráció bizonyos személyeknél hozzájárulhat az úgynevezett Raynaud-szindróma (Raynaud's Syndrome) nevű állapot kialakulásához. A tünetei lehetnek: az ujjak zsibbadása, elfehéredése, szúrások érzése, amelyek hidegnek kitéve gyakran felerősödnek. Az örökklődő tényezők, a hidegnek kitettség és verejtékezés, a diéta, a dohányzás és munka közben alkalmazott fogások valószínűleg mind hozzájárulhatnak ezen tünetek megjelenéséhez. A vibráció hatásainak csökkentése érdekében a kezelőnek be kell tartani az alábbi óvintézkedéseket:

- Hideg időben tartsa melegen a testét. A termék használatakor viseljen kesztyűt a kéz és a csukló melegen tartásához. Arról számoltak be, hogy a hideg időjárásnak fontos szerepe van a Raynaud-szindróma kialakulásában.
- Bizonyos időtartamú használat után mindig végezzen gyakorlatokat a vérkeringés javításához.
- Gyakran tartson munkaszünetet. Korlátozza a napi munkaidőt.

Ha ezen állapot bármelyik tünetét tapasztalja, azonnal hagyja abba a munkát, és tájékoztassa az orvosát a tünetekről.

⚠ FIGYELMEZTETÉS

Hosszabb használat sérülést okozhat. Ha a gépet hosszú időn át kell használnia, tartson gyakran szünetet.

ISMERJE MEG A TERMÉKET

Lásd 191. oldal.

1. Légtorok csúszka
2. Indító befecskendező pumpa (szivató)
3. Védőlemez
4. Elülső fogantyú
5. Gyújtógyertya ütköző
6. Berántó-zsinór fogantyúja
7. Kés
8. Légszűrő fedele
9. Légszűrőház gombja
10. Üzemanyagtartály fedele
11. Forgatókar rögzítőbillentyűje
12. Ravasz (gázadagoló gomb)
13. Forgatható fogantyú
14. Gázkar zár
15. Be/ki kapcsoló
16. Védőtök

SZIMBÓLUMOK A TERMÉKEN



Biztonsági figyelmeztetés



A sérülések kockázatának csökkentése érdekében a felhasználónak a termék használata előtt el kell olvasnia és meg kell értenie a kezelői kézikönyv tartalmát.



Viseljen fülvédőt



Viseljen védőszemüveget



Használat közben mindig két kézzel fogja a sövényvágót.



Viseljen nem csúszós, nehéz igénybevételre tervezett kesztyűt.



A súlyos sérülések elkerülése végett ne érintse meg a vágókéseket.



Figyeljen a kivetett vagy repülő tárgyakra. Az összes nézelődő, különösen a gyerekek és a háziállatok, legyenek legalább 15 m-es távolságra a használati területtől.



Használjon 91-es ([R + M]/2) vagy ennél magasabb oktánszámú ólommentes motorbenzint.





Használjon kétütemű, léghűtéses motorokhoz való szintetikus olajat.



Az üzemanyagot és a kétütemű motorokhoz való motorolajat a feltöltés előtt alaposan keverje össze.



A sérülés vagy károsodás kockázatának elkerülése érdekében kerülje a forró felületekkel való érintkezést.



Nyomja meg az adagolószivattyú gombját 10-szer.



Állítsa a fojtókart „FULL” (TELJES) fojtás állásba.



Állítsa a fojtókart „HALF” (FÉL) fojtás állásba.



Állítsa a fojtókart „RUN” (MŰKÖDÉS) állásba.



Hagyja 10 másodpercig alapjáraton járni a motort.



Húzza az indítófogantyút addig, amíg a motor be nem indul.



Hidegindítás



Melegindítás



A forgókar forgatásához húzza meg az indítóreteszt. A kart fordítsa balra vagy jobbra, majd engedje el az indítóreteszt. Fordítsa tovább a forgókart, amíg be nem kattán a 45 vagy 90°-os helyzetbe.



Nyomja meg a kioldót és a gázkart.



Állítsa a kapcsolót „I” állásba, mielőtt megpróbálja beindítani az egységet.



Ez a szerszám minden, a vásárlás európai uniós országában hatályos szabványnak megfelel.



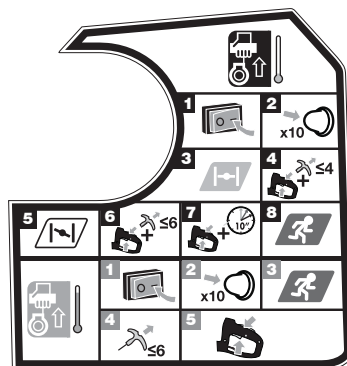
Eurázsiai megfelelőségi jelzés



Ukrainai megfelelőségi nyilatkozat



A garantált hangteljesítményszint 105 dB.



MEGJEGYZÉS: Tegye a vágót egy lapos területre a talajon, ügyelve arra, hogy a közelében ne legyen semmilyen tárgy vagy akadály, ami érintkezhet a késekkel.

Hideg motor beindítása:

1. Állítsa a be/ki kapcsolót „I” állásba.
2. Nyomja meg az adagolószivattyú gombját 10-szer.
MEGJEGYZÉS: A 7. nyomás után az üzemanyagnak meg kell jelennie az adagolószivattyúban. Ha nem, addig folytassa a nyomkodását, amíg nem látszik az üzemanyag.
3. A szivatókart állítsa I-I helyzetbe.
4. Nyomja meg a kioldót és a gázkart. Húzza meg az indítófogantyút többször addig, amíg a motor be nem indul. Ne húzza meg 4-nél több alkalommal az indítófogantyút.
5. A szivatókart állítsa I-I helyzetbe.
6. Nyomja meg a kioldót és a gázkart. Húzza az indítófogantyút addig, amíg a motor be nem indul. Ne húzza meg 6-nél több alkalommal az indítófogantyút.
7. Nyomja meg a kioldót és a gázkart. Hagyja 10 másodpercig alapjáraton járni a motort.
8. A szivatókart állítsa I-I helyzetbe.

Meleg motor beindítása:

1. Állítsa a be/ki kapcsolót „I” állásba.
2. Nyomja meg az adagolószivattyú gombját 10-szer.
MEGJEGYZÉS: A 7. nyomás után az üzemanyagnak meg kell jelennie az adagolószivattyúban. Ha nem, addig folytassa a nyomkodását, amíg nem látszik az üzemanyag.
3. A szivatókart állítsa I-I helyzetbe.
4. Tartsa és erősen szorítsa meg a forgókart, a gázkart és a gázkar rögzítését a bal kezével. Húzza az indítófogantyút addig, amíg a motor be nem indul. Ne húzza meg 6-nél több alkalommal az indítófogantyút.
5. Nyomja meg a kioldót és a gázkart.

A KÉZIKÖNYVBEN HASZNÁLT SZIMBÓLUMOK

-  Külön értékesített alkatrészek és kiegészítők
-  Megjegyzés
-  Figyelem
-  Ne dohányozzon az üzemanyag keverése vagy betöltése közben.
-  Tűzveszély.
-  A termék megállításhoz az I/O főkapcsolót nyomja és tartsa „O” helyzetben.

A következő jelölőszavak és jelentések arra szolgálnak, hogy megmagyarázzák a termékkel kapcsolatos veszélyességi szinteket.

⚠ VESZÉLY
Egy bekövetkező veszélyes helyzetet jelez, ami, ha nem előzik meg, halált vagy komoly sérülést eredményez.

⚠ FIGYELMEZTETÉS
Egy potenciálisan bekövetkező veszélyes helyzetet jelez, amit, ha nem előznek meg, halált vagy komoly sérülést eredményezhet.

⚠ FIGYELEMFELHÍVÁS
Egy potenciálisan veszélyes helyzetet jelez, ami, ha nem előzik meg, kisebb vagy mérsékelt sérülést eredményezhet.

FIGYELEMFELHÍVÁS
Biztonsági figyelmeztető szimbólum nélkül
Egy olyan helyzetet jelez, ami anyagi kárt eredményezhet.

KARBANTARTÁSI ÜTEMTERV



	Minden használat előtt	Az 1. hónap vagy 20 óra üzemeltetés után	3 havonta vagy 50 óra üzemeltetés után	6 havonta vagy 100 óra üzemeltetés után	Évente vagy 300 óra üzemeltetés után
A motorolaj ellenőrzése	■				
A motorolaj cseréje		■		■	
A légszűrők ellenőrzése	■				
Tisztítsa meg a légszűrőt.			■		
A légszűrők cseréje					■
A gyújtógyertya ellenőrzése/ beállítása				■	
Üzemanyagszűrő cseréje					■
Az alapjárat ellenőrzése/ beállítása					■
Tisztítsa meg a szikrafogó rácsot.			■		
Helyezzen fel egy új szikrafogót.					■
A szelep holtjátékának ellenőrzése/beállítása ¹					■
Az üzemanyagtartály és -szűrő megtisztítása ¹				■	
Az üzemanyagtömlő ellenőrzése	■				
Vizsgálja meg az üzemanyag- szűrőt	■				
Üzemanyagszűrő cseréje					■
Az összes tömlőcsatlakoztatás ellenőrzése	■				
Az üzemanyagtartály gőzszelepjének vizsgálata (ha van ilyen a terméken)	■				
A széntartály vizsgálata (csak karburátoros modelleknél)	■				

1. Ezeket csak hivatalos szervizközpont végezheti.

MEGJEGYZÉSEK:

- Ha a terméket poros környezetben használja, a karbantartást gyakrabban végezze el.
- Ha a termék már túl van a táblázatban szereplő legnagyobb értékeken, a karbantartást továbbra is hajtsa végre az itt feltüntetett időpontok vagy órák szerint.

HIBAE LHÁRÍTÁS

Probléma	Lehetséges ok	Megoldás
A motor nem indul be.	Nincs szikra.	Ellenőrizze a gyújtószikrát. Vegye ki a gyertyát. Tegye vissza a gyújtógyertya pipát és helyezze a gyújtógyertyát a fémhengerre. Húzza meg az indítószinórt, és figyelje a szikrát a gyújtógyertya hegyénél. Ha nem lát szikrát, ismételje meg a műveletet egy új gyertyával.
	Nincs üzemanyag	Nyomja a primer égőt, amíg az meg nem telik üzemanyaggal. Ha az égő nem telik meg, az elsődleges üzemanyag-szállító rendszer blokkolva van. Lépjen kapcsolatba egy szervizképviselettel. Ha a primer égő megtelik, a motor lehet, hogy befulladt - folytassa a következő tétellel.
	A motor lefulladt.	A szivatókar  helyzete mellett húzza meg 3-szor az indítókart. Ha a gép nem indul el, a szivatókart állítsa a  helyzetbe, majd ismételje meg a normál indítási eljárást. Amennyiben a motor még így sem indul be, ismételje meg a leírtakat egy új gyertyával.
A motor beindul, de nem gyorsul.	A berántókötelet nehezen lehet meghúzni.	Lépjen kapcsolatba egy szervizképviselettel.
	A motornak körülbelül három percre van szüksége a bemelegedéshez.	Hagyja, hogy a motor teljesen bemelegedjen. Ha a motor nem gyorsul fel három percen belül, lépjen kapcsolatba a szervizzel.
	Be kell állítani a porlasztót.	Lépjen kapcsolatba egy szervizképviselettel.
A motor beindul, de csak nagy sebességen fut félig nyitott szivatónál.	Helytelen kenőanyag/üzemanyag keverék.	Használjon frissen kevert üzemanyagot, melyben a megfelelő arányban van a kétütemű olaj.
	A légszűrő elszennyeződött.	Tisztítsa meg a levegőszűrőt. Olvassa el az útmutató Karbantartás fejezetének Légszűrő tisztítása részét.
	A szikrafogó rács szennyezett.	Lépjen kapcsolatba egy szervizképviselettel.
A motor beindul, forog és gyorsul, de nem esik vissza a fordulatszám alapjára.	Be kell állítani az üresjárat csavart a karburátoron.	Lépjen kapcsolatba egy szervizképviselettel.

Siguranța, performanța și fiabilitatea au fost principalele noastre priorități la proiectarea unelei cu benzină pentru tăiat gard viu.

UTILIZARE PREVĂZUTĂ

Unealta cu benzină pentru tuns gardul viu poate fi utilizată doar de persoane adulte care au citit și au înțeles instrucțiunile și avertismentele din acest manual și pot fi considerate responsabile pentru acțiunile proprii.

Produsul este proiectat să fie folosit doar în mediu exterior și în zonă bine aerisită. Din motive de siguranță, produsul trebuie manevrat corespunzător, cu ambele mâini.

Produsul este proiectat pentru uz casnic și domestic. Este destinat tăierii și tunderii gardului viu, a tufelor și a vegetației similare cu ramuri cu o grosime de cel mult 28 mm. Trebuie folosit în zone uscate și bine iluminate.

NU este destinat pentru tăierea ierbii, a copacilor sau a ramurilor. Nu trebuie folosit în nici un alt scop, altul decât tăierea gardurilor vii.

⚠️ AVERTISMENT

Pentru a evita răni grave, nu încercați să utilizați produsul fără a citi și înțelege manualul de utilizare. Păstrați acest manual de utilizare și consultați-l frecvent pentru o funcționare constantă în condiții de siguranță și pentru a-i instrui pe alți potențiali utilizatori ai acestui produs.

Salvați aceste instrucțiuni.

AVERTISMENTE GENERALE PRIVIND SIGURANȚA

⚠️ AVERTISMENT

Citiți toate avertismentele și instrucțiunile de siguranță. Nerespectarea avertismentelor și a instrucțiunilor poate provoca incendii și / sau vătămări grave. Păstrați aceste avertismente și instrucțiuni, pentru a le putea consulta ulterior.

PREGĂTIRE

⚠️ AVERTISMENT

Această mașină poate provoca leziuni grave. Citiți cu atenție instrucțiunile pentru manipularea, pregătirea, întreținerea, pornirea și oprirea corectă a mașinii. Familiarizați-vă cu toate comenzile și folosirea corespunzătoare a produsului.

- Nu permiteți copiilor sau persoanele fără experiență să utilizeze acest produs.
- fiți atent la cablurile electrice suspendate
- Țineți trecătorii, copiii și animalele de companie la o distanță de cel puțin 15 m. Nu utilizați niciodată mașina în timp ce în apropiere se află persoane, în special copii sau animale de companie.
- Îmbrăcați-vă corespunzător. Nu purtați îmbrăcăminte descheiată sau bijuterii; aceste pot fi agățate de părțile

în mișcare.

⚠️ AVERTISMENT

Operarea oricărei scule electrice poate rezulta în aruncarea de obiecte străine în ochii dvs, ceea ce poate rezulta în vătămare gravă a ochilor. În timpul utilizării, purtați ochelari de protecție sau ochelari cu protecție laterală și, dacă este cazul, o mască de protecție completă. Recomandăm să folosiți Masca de Siguranță cu Câmp Vizual Larg peste ochelarii de protecție sau peste cei cu apărătoare laterală.

- Nu utilizați echipamentul dacă sunteți desculț sau purtați sandale sau altă încălțăminte ușoară. Purtați încălțăminte de protecție antiderapantă.

⚠️ AVERTISMENT

Aveți grijă deosebită la manevrarea combustibililor. Benzina este inflamabilă, iar vaporii sunt toxici și pot provoca explozie.

- Utilizați doar recipiente aprobate pentru păstrarea benzinei.
- Adăugați combustibil înainte de a porni motorul. Nu îndepărtați niciodată capacul rezervorului de carburant și nu alimentați cu carburant când motorul este pornit sau cald.
- Nu fumați.
- Realimentați întotdeauna în spații deschise. Nu realimentați niciodată în spații închise sau ventilate necorespunzător. Feriți de sursele de aprindere, scântee și flacără.
- Nu lăsați niciodată echipamentul cu rezervorul plin în clădiri în care există surse de foc, cum ar fi încălzitoare, uscătoare de rufe și alte echipamente similare.
- Ștergeți aparatul dacă ați vărsat carburant. Îndepărtați-vă 9 m (30 ft) de zona de alimentare înainte de a porni motorul.
- Remontați bușonul de la rezervor și cel al canistrei și asigurați-vă ca sunt strânse corect.
- Dacă rezervorul de combustibil este golit, acest lucru trebuie făcut la exterior.
- În cazul în care mecanismul de tăiere lovește orice obiect străin sau mașina începe să facă un zgomot neobișnuit sau vibrează, opriți sursa de alimentare și lăsați mașina să se oprească. Deconectați fișa bujei de la bujie și luați următoarele măsuri:
 - inspectați dacă există daune
 - Verificați și înlocuiți piesele care nu se mai strâng corect.Piesele deteriorate trebuie înlocuite sau reparate cu piese cu specificații echivalente.

⚠️ AVERTISMENT

Acest produs este zgomotos atunci când funcționează. Purtați căști pentru a reduce riscul de afectare a auzului pe termen lung.



⚠️ AVERTISMENT

Purtați întotdeauna ochelari de siguranță sau ochelari de protecție cu ecrane laterale atunci când utilizați mașini electrice. Nerespectarea acestei reguli poate antrena proiectarea de corpuri străine în ochi și poate provoca răniri oculare grave.

- Pentru a opri motorul în situații de urgență: Treceți întrerupătorul pornit/oprit în poziția oprit (O).

UTILIZARE

- Opriți întotdeauna motorul, deconectați fișa bujiei, lăsați-l să se răcească și asigurați-vă că piesele în mișcare s-au oprit înainte de:
 - Umplerea rezervorului
 - reglarea poziției de lucru sau a poziției mânerului posterior
 - lăsarea produsului fără supraveghere
 - curățarea produsului
 - schimbarea accesoriilor
 - eliminarea blocajelor
 - verificare pentru orice daune după lovirea unui obiect
 - verificare pentru orice daune în cazul în care produsul începe să vibreze anormal
 - efectuarea întreținerii
- Nu porniți motorul decât dacă unealta de tundere este în poziție sigură de lucru. Producătorul recomandă așezarea echipamentului pe sol, într-un loc în care nu este posibil contactul lamelor cu niciun obiect înainte de pornirea motorului.
- Când utilizați echipamentul pentru tuns gardul viu, nu vă întindeți și nu stați pe o suprafață instabilă. În timpul operării dispozitivului, păstrați-vă în permanentă echilibrul și stabilitatea. Producătorul nu recomandă folosirea treptelor sau a scârilor. Dacă este necesară o tundere la o înălțime mai mare folosiți o unealtă prelungitoare.
- Nu utilizați mașina cu un dispozitiv e tăiere deteriorat sau uzat excesiv.
- Pentru a reduce pericolele de incendiu, țineți motorul și amortizorul de sunet ferit de resturi, frunze sau lubrifiant în exces.
- Asigurați-vă întotdeauna că toate mânerele și protecțiile sunt montate când utilizați mașina. Nu încercați niciodată să utilizați un produs incomplet sau cu modificări neautorizate.
- Utilizați întotdeauna două mâini pentru a opera mașina dotată cu două mâner.
- Familiarizați-vă cu mediul și fiți atenți la pericolele posibile pe care s-ar putea să nu le observați din cauza zgomotului produs de mașină.

AVERTIZARE SUPLIMENTARĂ

- Nu operați motorul într-un spațiu restrâns unde vapori periculoși de monoxid de carbon se pot concentra. Monoxidul de carbon, un gaz incolor, inodor și extrem de periculos, poate cauza decesul sau inconștiența.

- Nu operați acest produs atunci când sunteți obosit, bolnav sau sub influența alcoolului, drogurilor sau a medicamentelor.
- Asigurați-vă că înainte de fiecare folosire toate funcțiile de control și dispozitivele de siguranță funcționează corect. Nu folosiți produsul dacă întrerupătorul "oprit" nu oprește motorul. Comutatoarele defecte trebuie înlocuite de un centru de service autorizat.
- Inspectați aparatul înainte de fiecare folosire. Verificați dacă există șuruburi slăbite, scurgeri de combustibil etc. Nu utilizați echipamentul dacă există scurgeri de combustibil sau dacă mânerele și elementele de protecție nu sunt fixate și funcționale.
- Prindeți părul lung deasupra umerilor pentru a preveni prinderea lui de părțile în mișcare.
- Nu utilizați în condiții de iluminare necorespunzătoare. Operatorul necesită o panoramă clară a zonei de lucru pentru identificarea potențialelor pericole.
- Eliberați zona de lucru înainte de fiecare utilizare. Îndepărtați toate obiectele străine, cum sunt stâlpii, cablurile sau firele ar putea fi antrenate în piesele în mișcare sau în accesoriile de tăiere.
- Verificați constant să nu existe persoane sau animale în spatele sau în gardul viu sau tușișul ce doriți să-l tundeți. Operarea de aparate similare în vecinătate crește atât riscul unei deteriorări a auzului cât și posibilitatea ca alte persoane să intre în zona dvs. de lucru.
- Verificați toate piulițele, suruburile la intervale frecvente de timp ca să fie corespunzător strânse pentru a vă asigura că produsul este în stare de lucru în siguranță. Orice piesă deteriorată trebuie să fie reparată în mod corespunzător sau înlocuită de un service autorizat.

⚠️ AVERTISMENT

Când trăgaciul de putere este eliberat și motorul funcționează la relanti, accesoriul de tăiere sau lama/discul nu trebuie să se rotească. Dacă continuă să se miște există risc de vătămare gravă a operatorului. Nu folosiți mașina. Returnați-o la un centru service autorizat pentru o reglare profesională.

- Nu atingeți zona din jurul a amortizorului sau a motorului unității, aceste piese să înfierbântă în timpul funcționării.
- Nu modificați produsul în niciun mod.
- Nu forțați motounealta pentru tuns gard viu în tușișuri dese. Acest lucru poate cauza lipirea și încetinirea lamelor. În cazul în care lamele încetinesc, reduceți ritmul.
- Nu încercați să tăiați tulpini sau crengi care au o grosime mai mare de 28 mm, sau cele care sunt prea mari pentru a intra în lama de tăiere. Utilizați un ferăstrău manual sau un ferăstrău pentru curățarea crengilor pentru a tăia tulpinile groase.
- Dacă motorul este pornit sau cald sau amortizorul este cald, nu le apropiați de materiale combustibile pentru a reduce riscul de incendiu.



TRANSPORTAREA ȘI DEPOZITAREA

- Oprii aparatul și lăsați-l să se răcească înainte de a-l transporta sau depozita.
- Curățați toate materialele străine din produs.
- Acoperiți lama cu manșonul protector.
- Turnați tot carburantul rămas în rezervor într-o canistră omologată pentru păstrarea benzinei. Repoziționați și strângeți bine capacul rezervorului de combustibil.
- Porniți motorul până când acesta se oprește singur. Prin această operație se va îndepărta tot combustibilul care, cu timpul, ar putea colmata conductele de alimentare cu lacuri și alte depuneri.
- Depozitați echipamentul într-un loc uscat, ventilat, inaccesibil copiilor și departe de surse de foc.
- Nu-l depozitați în apropiere de agenți corozivi cum ar fi produși chimici de grădinarit sau săruri antigel.
- Nu depozitați în aer liber.
- Pentru transportare, fixați produsul împotriva mișcării sau căderii pentru a preveni vătămarea persoanelor sau deteriorarea produsului.
- Nu purtați sau transportați produsul în timp ce funcționează.
- Consultați reglementările naționale și locale în materie de depozitare și manipulare a carburantului.

Păstrarea pe termen scurt (mai puțin de 1 lună)

- Oprii motorul și permiteți-i să se răcească înainte de a depozita produsul.
- Acoperiți lama cu manșonul protector.
- Depozitați echipamentul într-un loc uscat, ventilat, inaccesibil copiilor și departe de surse de foc.
- Nu-l depozitați în apropiere de agenți corozivi cum ar fi produși chimici de grădinarit sau săruri antigel.
- Nu depozitați în aer liber.

ÎNȚREȚINEREA

⚠ AVERTISMENT

Service-ul necesită atenție și cunoștințe deosebite și trebuie îndeplinit doar de către un tehnician service calificat. Pentru service sugerăm să returnați produsul la cel mai apropiat centru service autorizat pentru efectuarea reparațiilor. Când se efectuează service-ul folosiți doar piese de schimb identice.

⚠ AVERTISMENT

Lamele sunt ascuțite. Atunci când manipulați ansamblul de lame, purtați mănuși rezistente, nealunecoase. Nu puneți degetele sau mâna între lame sau în orice poziție unde pot fi ciupite sau tăiate. Nu atingeți niciodată lamele și nu reparați echipamentul cu fișele conectate.

⚠ AVERTISMENT

Nu lăsați deloc lichidul de frână, benzina, produsele pe bază de petrol, uleiurile penetrante etc., să intre în contact cu piesele din plastic. Detergenții chimici pot deteriora, slăbi sau distruge plasticul, ce poate rezulta în vătămare personală gravă.

⚠ AVERTISMENT

Nu încercați să modificați acest produs sau să creați accesorii nerecomandate pentru folosirea cu acest produs. Orice transformare sau modificare înseamnă întrebuintare abuzivă și poate rezulta în condiții periculoase ce pot duce la vătămare personală gravă.

- Puteți face reglaje și reparații descrise în acest manual de instrucțiuni. Pentru alte reparații, contactați agentul service autorizat.
- Consecințele întreținerii necorespunzătoare pot include depozite de carbon în exces rezultând într-o pierdere a randamentului și scurgere de reziduuri negre uleioase din amortizorul de zgomot.
- După fiecare folosire, curățați corpul și mânerul produsului cu o cârpă moale și uscată.
- După fiecare folosire, curățați resturile de pe lame/discuri cu o perie tare și apoi cu atenție aplicați un lubrifiant de prevenire a ruginii înainte de a atașa protecția lamei/discului. Producătorul recomandă să folosiți un spray lubrifiant de prevenire a ruginii și să aplicați pe o suprafață dreaptă pentru a reduce riscul de vătămare personală de la contactul cu lamele/discurile. Pentru informații privind spray-ul corespunzător, întrebați centrul dvs service local autorizat.
- Puteți lubrifia ușor lamele/discurile înainte de folosire, folosind metoda de mai sus.
- Verificați toate piulițele, suruburile la intervale frecvente de timp ca să fie corespunzător strânse pentru a vă asigura că produsul este în stare de lucru în siguranță. Orice piesă deteriorată trebuie să fie reparată în mod corespunzător sau înlocuită de un service autorizat.

SCHIMBAREA LAMELOR

- Verificați periodic lamele pentru daune și uzură. Dacă lamele sunt deteriorate, acestea trebuie reparate sau înlocuite de un centru de service autorizat.

ELIBERAREA UNEI BLOCĂRI

- Oprii motorul și așteptați oprirea tuturor pieselor în mișcare.
- Deconectați fișa bujei.
- Lamele sunt ascuțite. Purtați mănuși de protecție când lucrați în apropierea lamelor.
- Curățați cu atenție materialele care pot produce blocaje și resturile din apropierea lamelor și a altor piese în mișcare.

RISCURI REZIDUALE

Chiar dacă produsul este folosit așa cum a fost prescris, este totuși imposibil să se elimine complet anumiți factori



de risc reziduali. Următoarele pericole pot apărea în timpul folosirii și operatorul trebuie să acorde atenție specială pentru a evita următoarele:

- Vătămare cauzată de mijloacele de tăiere.
 - Asigurați-vă că protecțiile pentru lamă sunt montate când produsul nu este utilizat. Țineți tot timpul mâinile și picioarele ferite de lame.
- Vătămare cauzată de vibrație.
 - Folosiți întotdeauna aparatul potrivit pentru sarcină, folosiți mânerul prevăzute și restricționați timpul de lucru și expunerea. Consultați secțiunea „Reducerea riscurilor” din acest manual.
- Poate fi cauzată vătămarea auzului de la expunerea la zgomot.
 - Purtați protecție pentru auz și limitați expunerea.
- Vătămare a ochilor datorată resturilor aruncate.
 - Purtați întotdeauna protecție pentru ochi.
- Vătămări datorate obiectelor în cădere.
 - Dacă în zona de lucru există riscul căderii de obiecte, trebuie purtată protecție a capului.

REDUCEREA RISCULUI

S-a raportat faptul că vibrațiile produse de unelte manuale pot contribui, la anumite persoane, la o afecțiune denumită Sindromul Raynaud. Simptomele pot include furnicături, amorțeală și albirea degetelor, care apare, de obicei, după expunerea la frig. Factori ereditari, expunerea la frig și umiditate, dieta, fumatul și practicile de muncă contribuie la dezvoltarea acestor simptome. Există măsurători care pot fi efectuate de către operator pentru a reduce efectele de vibrații:

- Păstrați-vă temperatura corporală ridicată pe vreme rece. Când operați produsul purtați mănuși pentru a menține calde mâinile și încheieturile. S-a constatat că vremea rece este un factor major care contribuie la sindromul Raynaud.
- După fiecare perioadă de operare, trebuie făcute exerciții pentru a crește circulația sângelui.
- Trebuie făcute pauze la intervale de timp regulate. Limitați expunerea zilnică.

Dacă sunt experimentate oricare dintre simptomele acestei afecțiuni, trebuie întreruptă utilizarea și consultat un medic.

⚠ AVERTISMENT

Pot fi cauzate sau agravate vătămările de la folosirea prelungită a aparatului. Atunci când folosiți o sculă pentru perioade prelungite, asigurați-vă că luați pauze regulate.

CUNOAȘTEȚI-VĂ PRODUSUL

Vezi pagina 191.

1. Clapetă de șoc
2. Pompa de amorsare
3. Ecran de protecție
4. Mâner anterior
5. Capac/pipă de bujie
6. Mânerul demarorului
7. Lamă

8. Capac filtru de aer
9. Mâner al capacului cutiei filtrului de aer
10. Capacul de alimentare cu carburant
11. Blocator mâner rotativ
12. Trăgaciul accelerorului
13. Mâner rotativ
14. Piedica accelerației
15. Întrerupător pornire/oprire
16. Îneluitoare

SIMBOLURILE DE PE PRODUS



Avertizare de siguranță



Pentru a reduce riscul vătămării, utilizatorul trebuie să citească și să înțeleagă manualul de utilizare înainte să utilizeze acest produs.



Purtați protecție pentru urechi



Purtați întotdeauna ochelari de protecție



Țineți întotdeauna motounealta de tuns gard viu cu ambele mâini atunci când funcționează.



Purtați mănuși care nu alunecă, destinate pentru operațiuni grele.



Pentru prevenirea vătămării grave nu atingeți lamele de tăiere.



Feriți-vă de obiecte proiectate sau în zbor. Țineți toți trecătorii, în special copiii și animalele de companie la cel puțin 15 metri de zona de operare.



Utilizați benzină fără plumb destinată automobilelor cu o cifră octanică de 91 ([R+M]/2) sau mai mare.



Utilizați un ulei de sinteză în 2 timpi pentru motoarele cu răcire cu aer.



Amestecați bine combustibilul cu uleiul pentru motoare în 2 timpi înainte de realimentare.



Pentru a reduce riscul de vătămare sau de daune, evitați contactul cu orice suprafață fierbinte.



Apăsați pompa de amorsare de 10 ori.



Setați maneta șocului la poziția „FULL”.





Setați maneta șocului la poziția „HALF”.



Setați maneta șocului în poziția „RUN”.



Lăsați produsul să funcționeze la relanti timp de 10 de secunde.



Trageți mânerul starterului până când motorul pornește.



Pornirea la rece



Pornirea la cald



Pentru a roti mânerul rotativ, deblocați siguranța de rotire a mânerului rotativ. Rotiți mânerul către dreapta sau către stânga și eliberați siguranța de rotire a mânerului. Continuați să rotiți mânerul până când acesta se fixează în poziția de 45° sau 90°.



Apăsați blocajul trăgaciului și trăgaciul de acționare.



Setați comutatorul în poziția "I" înainte de a încerca să porniți unitatea.



Acest aparat este conform cu ansamblul normelor reglementare din țara din UE în care a fost cumpărat.



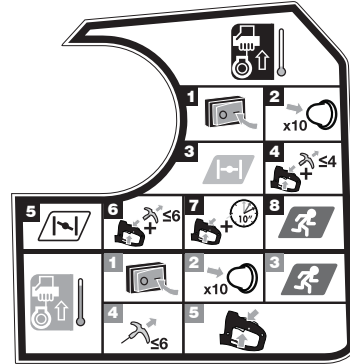
Marcaj de conformitate EurAsian



Semn de conformitate ucrainean



Nivelul garantat de putere al sunetului este de 105 dB



OBSERVAȚIE: Plasați mototunealta de tuns gard viu pe teren drept și asigurați-vă că nu există obiecte sau obstacole în vecinătate, care ar putea veni în contact cu lamele.

Pentru a porni un motor rece:

1. Aduceți comutatorul de pornire în poziția „I”.
2. Apăsați pompa de amorsare de 10 ori.
OBSERVAȚIE: După a 7-a apăsare, combustibilul trebuie să fie vizibil în pompa de amorsare. Dacă nu, continuați să apăsați până când combustibilul este vizibil.
3. Treceți maneta șocului în poziția .
4. Apăsați blocajul trăgaciului și trăgaciul de acționare. Trageți mânerul starterului până când motorul încearcă să pornească. Nu trageți mânerul starterului de mai mult de 4 ori.
5. Treceți maneta șocului în poziția .
6. Apăsați blocajul trăgaciului și trăgaciul de acționare. Trageți mânerul starterului până când motorul pornește. Nu trageți mânerul starterului de mai mult de 6 ori.
7. Apăsați blocajul trăgaciului și trăgaciul de acționare. Lăsați produsul să funcționeze la relanti timp de 10 de secunde.
8. Treceți maneta șocului în poziția .

Pentru a porni un motor cald:

1. Aduceți comutatorul de pornire în poziția „I”.
2. Apăsați pompa de amorsare de 10 ori.
OBSERVAȚIE: După a 7-a apăsare, combustibilul trebuie să fie vizibil în pompa de amorsare. Dacă nu, continuați să apăsați până când combustibilul este vizibil.
3. Treceți maneta șocului în poziția .
4. Apucați ferm cu mâna stângă mânerul rotativ, trăgaciul accelerației și siguranța trăgaciului. Trageți mânerul starterului până când motorul pornește. Nu trageți mânerul starterului de mai mult de 6 ori.
5. Apăsați blocajul trăgaciului și trăgaciul de acționare.

SIMBOLURI DIN ACEST MANUAL

-  Piese sau accesorii vândute separat
-  Notă
-  Avertisment
-  Nu fumați când amestecați combustibilul sau când umpleți rezervorul de combustibil.
-  Risc de incendiu.
-  Pentru a opri produsul, apăsați lung comutatorul I/O în poziția "O".

rmătoarele cuvinte simbol și înțelesul lor au intenția de a explica nivelele de risc asociate cu acest produs.

⚠ PERICOL
Indică o situație periculoasă iminentă, care dacă nu este evitată va cauza decesul sau vătămarea gravă.

⚠ AVERTISMENT
Indică o situație periculoasă iminentă, care dacă nu este evitată poate rezulta în deces sau vătămare gravă.

⚠ ATENȚIE
Indică o situație potențial periculoasă, care dacă nu este evitată poate cauza vătămarea moderată sau ușoară.

ATENȚIE
Fără a simbolul de alertă privind siguranța
Indică o situație care poate duce la pagube materiale.

SCHEMA DE ÎNTREȚINERE



	Înainte de fiecare folosire	După prima lună sau după 20 de ore de funcționare	La 3 luni sau 50 de ore de funcționare	La 6 luni sau 100 de ore de funcționare	Anual, sau la fiecare 300 de ore de funcționare
Verificarea lubrifianului motorului	■				
Schimbarea lubrifianului motorului		■		■	
Verificarea filtrului de aer	■				
Curățați filtrul de aer.			■		
Schimbarea filtrului de aer					■
Verificarea/reglarea bujiei				■	
Înlocuiți filtrul de combustibil					■
Verificarea/reglarea ralantiului					■
Curățați grila parascânteii.			■		
Înlocuiți cu un opritor de scânteii nou.					■
Verificarea/reglarea distanței robinetului ¹					■
Curățarea rezervorului de combustibil și a filtrului ¹				■	
Verificarea furtunului de combustibil	■				
Verificați filtrul de combustibil	■				
Înlocuiți filtrul de combustibil					■
Verificarea tuturor conectorilor furtunurilor	■				
Verificarea sistemului de ventilație a vaporilor din rezervorul de combustibil (dacă este prezent)	■				
Verificarea canistrei din carbon (numai modelele cu carburator)	■				

1. Aceste operații trebuie executate numai de un centru de service autorizat.

NOTE:

- Când produsul este utilizat în zone cu mult praf, operațiile de întreținere trebuie realizate mai des.
- Chiar dacă sunt depășite intervalele maxime indicate în tabel, întreținerea va fi efectuată în continuare la intervalele de funcționare specificate aici.

REMEDIEREA DEFECTIUNILOR

Problemă	Cauză posibilă	Soluție
Motorul nu pornește.	Nu există scânteie la bujie.	Verificați bujia. Scoateți bujia. Montați la loc fișa bujiei și plasați bujia pe cilindrul de metal. Trageți cordonul de pornire și verificați dacă există scânteie în vârful bujiei. Dacă nu vedeți nicio scânteie, schimbați bujia cu una nouă și repetați testul.
	Lipsă combustibil	Apăsați pompa de amorsare până la umplerea acesteia cu combustibil. Dacă pompa de amorsare nu se umple, sistemul principal de alimentare cu combustibil este blocat. Contactați un reprezentant service. Dacă pompa de amorsare se umple, există riscul ca motorul să fie înecat. Treceți la sugestia următoare.
	Motorul este inundat.	Trageți de mânerul demarorului de 3 ori cu maneta de șoc în poziția  . Dacă motorul nu pornește, aduceți maneta șocului în poziția  și repetați procedura normală de pornire. Dacă nici acum nu pornește motorul, repetați toate aceste etape cu o bujie nouă.
	Firul de pornire este greu de tras.	Contactați un reprezentant service.
Motorul va porni, dar nu va accelera.	Motorul are nevoie de aproximativ 3 minute pentru a se încălzi.	Permiteți motorului să se încălzească. Dacă motorul nu poate fi accelerat după 3 minute, contactați un furnizor de service.
Motorul pornește, dar funcționează doar la turație maximă, cu șocul tras la jumătate.	Trebuie să reglați carburatorul.	Contactați un reprezentant service.
Motorul nu atinge regimul maxim și/sau degajă fum în exces.	Amestec lubrifianț/combustibil incorect.	Utilizați un carburant amestecat recent conținând proporția corectă de ulei în 2 timpi.
	Filtrul de aer este murdar.	Curățați filtrul de aer. Referiți-vă la Curățarea Filtrului de Aer în secțiunea Întreținere a acestui manual.
	Grila parascânteie este murdară.	Contactați un reprezentant service.
Motorul pornește, merge și accelerează dar se oprește în ralanti.	Șurubul de reglare a ralanti-ului de pe carburator necesită ajustare.	Contactați un reprezentant service.



Drošībai, veiktspējai un uzticamībai ir pievērsta vislielākā uzmanība, radot jūsu benzīna dzinēja krūmu šķēres.

PAREDZĒTAIS LIETOJUMS

Benzīna dzinēja krūmu šķēres paredzētas lietošanai tikai pieaugušiem, kuri izlasījuši un sapratuši šīs rokasgrāmatas norādes un brīdinājumus un var tikt uzskatīti par atbildīgiem par savu rīcību.

Ierīce ir paredzēta tikai lietošanai ārā, labi vēdinātās apstākļos. Drošības nolūkos, trimmeri jāizmanto, to atbilstoši vadot ar abām rokām.

Šī ierīce ir paredzēta lietošanai mājas apstākļos. Tas ir paredzēts dzīvzogu, krūmu vai līdzīgu augu, kuru kāts vai zari tievāki par 28 mm, griešanai un apcirpšanai. To ieteicams lietot sausos, labi apgaismotos apstākļos.

Tas NAV paredzēts zāles, koku un zaru griešanai. To nav ieteicams lietot jebkādiem citiem nolūkiem, izņemot dzīvzogu griešanu.

⚠ BRĪDINĀJUMS

Lai novērstu nopietnu paša savainošanos, nemēģiniet lietot produktu, kamēr neesat rūpīgi izlasījis un pilnībā sapratis operatora rokasgrāmatu. Saglabājiet šo operatora rokasgrāmatu un bieži to pārskatiet, lai nodrošinātu turpmāku drošu lietošanu un instruētu citus šī produkta lietotājus.

Išsaugokite šias instrukcijas.

VISPĀRĪGIE DROŠĪBAS BRĪDINĀJUMI

⚠ BRĪDINĀJUMS

Izlasiet visus drošības brīdinājumus un norādījumus. Brīdinājumu un norādījumu neizpildīšana var izraisīt aizdegšanos un/vai smagu ievainojumu. Brīdinājumus un instrukcijas saglabājiet turpmākai uzziņai.

SAGATAVOŠANA

⚠ BRĪDINĀJUMS

Št iekārta var izraisīt nopietnas traumas. Uzmanīgi izlasiet norādījumus, lai uzzinātu, kā pareizi rīkoties ar iekārtu un veikt tās sagatavošanas, apkopes, iedarbināšanas un apturēšanas darbus. Iepazīstieties ar visām vadībām un pareizu preces izmantošanu.

- Neļaujiet bērniem vai personām bez apmācības izmantot šo ražojumu.
- uzmanieties no augšējām elektropārvades līnijām
- Neļaujiet blakusstāvētājiem, bērniem un mājdzīvniekiem atrasties tuvāk par 15 m. Nekad nelietojiet iekārtu, kamēr tuvumā atrodas cilvēki, it īpaši bērni, vai dzīvnieki.
- Apģērbieties pareizi. Nevalkājiet vaļīgu apģērbu vai juvelierizstrādājumus - tie var iekerties kustīgajās daļās.

⚠ BRĪDINĀJUMS

Naudojantis bet kokiu elektriniu prietaisu staiga mesti pašaliniiai daiktai gali kliudyti akis ar jas smarkiai suzalogti. Pirms instrumenta lietošanas vienmēr valkājiet aizsargbrilles vai aizsargbrilles ar sānu aizsargiem un, kad nepieciešams, pilnu sejas aizsargu. Mes rekomenduojame plataus vaizdo apsaugine kauke, kuri devima kartu su apsauginiais akiniais arba standartiniai akiniais su šonine apsauga.

- Neizmantojiet instrumentu ar neapautām kājām vai valkājot sandales, vai citus līdzīgus vieglus apavus. Valkājiet neslidošos aizsargājošus apavus, kas aizsargās jūsu pēdas un uzlabos pārvietošanos pa slidenām virsmām.

⚠ BRĪDINĀJUMS

Rīkojoties ar degvielu, ievērojiet īpašu piesardzību. Benzīns ir viegli uzliesmojošs, tā tvaiki ir toksiski un sprādzienbīstami.

- Izmantojiet tikai tādas degvielas kannas, kas apstiprinātas benzīna uzglabāšanai.
 - Pirms dzinēja iedarbināšanas papildiniet degvielu. Nekad nenoskrūvējiet degvielas tvertnes vāciņu un nepapildiniet degvielu, kad dzinējs darbojas vai ir karsts.
 - Nesmēķējiet.
 - Vienmēr veiciet degvielas uzpildi ārpus telpām. Nekad neveiciet degvielas uzpildi telpās vai slikti vēdinātā vietā. Turiet atstatu no visiem aizdedzes, dzirkstelju vai liesmu avotiem.
 - Nekad neglabājiet instrumentu ar degvielu bākā telpās, kur atrodas potenciāli aizdegšanās avoti kā ūdens sildītāji, gaisa sildītāji, drēbju žāvētāji un līdzīgi.
 - Noslaukiet, ja ir izšakstījusies degviela. Pirms dzinēja palaišanas atkāpieties 9 m (30 pēdas) no uzpildes vietas.
 - Cieši uzskrūvējiet gan degvielas tvertnes, gan kannas vāciņus.
 - Ja vēlaties iztukšot degvielas tvertni, tas jādarā ārā.
 - Ja griezēj mehānisms trāpa kādam svešķermenim vai ierīce sāk radīt neparastas skaņas vai vibrācijas, izslēdziet barošanas avotu un ļaujiet ierīcei apstāties. Atvienojiet aizdedzes sveces vadu no aizdedzes sveces un veiciet šādas darbības:
 - pārbaudiet, vai nav bojājumu
 - pārbaudiet vai nav, un nomainiet jebkuras vaļīgas daļas.
- Bojātas detaļas salabojiet vai nomainiet ar līdzvērtīgu specifikāciju detaļām.

⚠ BRĪDINĀJUMS

Šis ražojums darba laikā ir trokšņains. Jums ir jāvalkā ausu aizsarglīdzekļi, lai samazinātu ilgtermiņa dzirdes bojājumu risku.





⚠ BRĪDINĀJUMS

Strādājot ar produktiem, vienmēr valkājiet drošības brilles vai aizsargbrilles ar sānu aizsargiem. Ja tas netiek ievērots, jūsu acis var lidot objekti, rezultātā nodarot nopietnas traumas

- Lai apturētu dzinēju ārkārtas situācijā: Nospiediet ieslēgšanas/izslēgšanas slēdzi izslēgtā stāvoklī (O).

EKSPLUATĀCIJA

- Vienmēr apturiet dzinēju, noņemiet aizdedzes sveces uzgali no sveces, ļaujiet tai atdzist un pārlicinieties, ka visas kustīgās daļas ir apstājušās priems:
 - Tvertnes uzpildīšana
 - aizmugurējā roktura stāvokļa darba pozīcijas regulēšana
 - izstrādājuma atstāšana bez uzraudzības
 - izstrādājuma tīrīšana
 - aprīkojuma nomaīņa
 - nosprostojumu atbrīvošana
 - ierīces pārbaude pēc sitiena pa priekšmetu
 - ja izstrādājums sāk neparasti vibrēt, pārbaudiet, vai tas nav bojāts
 - apkopes veikšana
- Iedarbiniet dzinēju tikai, kad krūmgriezis ir drošā darba stāvoklī. Ražotājs iesaka pirms dzinēja palaišanas novietot instrumentu uz zemes, tā, lai asmens nekam nepieskaras.
- Izmantojot krūmu šķēres, neliecieties tām pāri un nestāviet uz nestabilas pamatnes. Visu laiku stāviet stingri un stabili. Ražotājs neiesaka lietot iekārtu uz pakāpieniem vai trepēm. Ja griešana nepieciešama augstākā vietā, lietojiet pagarināso papildrīku.
- Nedarbiniet ierīci, ja griezējs ir bojāts vai pārmērīgi nodilis.
- Lai samazinātu ugunsbīstamību, neļaujiet atkritumiem, lapām un pārmērīgam daudzumam smērvielas krāties uz dzinēja un klusinātāja.
- Pirms izmantot iekārtu, vienmēr pārlicinieties, vai ir uzstādīti visi rokturi un aizsargi. Nekad nemēģiniet lietot nepilnīgu instrumentu vai tādu, kam veiktas neatļautas izmaiņas.
- Iekārtu, kurai ir divi rokturi, vienmēr izmantojiet ar abām rokām.
- Izpētiet apkārtni un esiet gatavs iespējamām bīstamām situācijām, kuras jūs varat nepamanīt ierīces trokšņa dēļ.

PAPILDU BRĪDINĀJUMI

- Nedarbiniet dzinēju slēgtā telpā, kur var uzkrāties bīstami oglekļa monoksīda izgarojumi. Oglekļa monoksīds ir bezkrāsaina, ārkārtīgi bīstama gāze bez smaržas, kas var izraisīt bezsamaņu vai nāvi.
- Nerīkojieties ar šo ražojumu, kad esat noguris, slims vai esot alkohola, narkotiku vai zāļu ietekmē.
- Pirms katras lietošanas reizes pārlicinieties, ka visas kontroles un drošības sistēmas ir darba kārtībā. Neizmantojiet ierīci, ja izslēgšanas slēdzis neapstādina

motoru. Nomainiet bojātus slēdzus pilnvarotā servisa centrā.

- Pirms katras lietošanas reizes pārbaudiet ierīci. Pārbaudiet vai nav valīgu stiprinājumu, degvielas sūču utt. Nelietojiet ja pastāv degvielas noplūde vai rokturi un aizsargi nav droši un pilnīgi lietojami.
- Nostipriniet garus matus tā, lai tie ir virs plecu līmeņa, lai novērstu sapīšanos kustīgajās daļās.
- Nelietojiet ja pastāv degvielas noplūde vai rokturi un aizsargi nav droši un pilnīgi lietojami.
- Nostipriniet garus matus tā, lai tie ir virs plecu līmeņa, lai novērstu sapīšanos kustīgajās daļās.
- Nelietojiet ja pastāv degvielas noplūde vai rokturi un aizsargi nav droši un pilnīgi lietojami.
- Pirms katras izmantošanas atīriet darba zonu. Izņemiet jebkādas svešķermeņus kā mietus, vadus vai auklas, kas var sabojāt vai iekerties kustīgajās daļās vai griešanas mehānismā.
- Bieži pārbaudiet, vai dzīvzōgā vai krūmā vai arī aiz tā, kurus jūs vēlaties zāģēt, neatrodas cilvēki vai dzīvnieki. Līdzīgas ierīces izmantošana tuvumā palielina gan risku sabojāt dzirdi, gan iespēju, ka otrs cilvēks ieies jūsu darba zonā.
- Regulāri pārbaudiet visus uzgriežņus, stiprinājumus un skrūves, lai pārlicinātos, ka tās ir cieši pievilktas un izstrādājums ir drošā darba stāvoklī. Jebkura bojāta detaļa jānodod remontam vai nomaīņai pilnvarotā apkopes centrā.

⚠ BRĪDINĀJUMS

Kad droseles regulatora mēlīte ir atlaista un dzinējs darbojas ar tukšgaitas apgriezieniem, griešanas papildierīcei vai asmenim jābūt nekustīgam. Ja tā tomēr kustas, pastāv risks operatoram gūt nopietnus ievainojumus. Nelietojiet iekārtu. Nododiet to profesionālai apkopei apstiprinātā servisa centrā.

- Neaiztieciet iekārtas klusinātāja vai dzinēja apkārti, jo šīs daļas darba laikā sakarst.
- Nekādā veidā neveiciet instrumenta pārveidi.
- Neizmantojiet dzīvzōgu trimmeri biezu krūmāju apgriešanai. Tas var izraisīt asmeņu darbības palēnināšanos un iesprūšanu. Ja asmeņu kustības ātrums samazinās, palēniniet gaitu.
- Nemēģiniet apgriezt stublājus vai zarus, kuru biezums pārsniedz 28 mm, jo tie acīmredzami ir pārāk lieli griezējasmesim. Izmantojiet neelektrisko rokas zāģi vai dārziņa zāģīti, lai apgrieztu lielus stublājus.
- Nodrošiniet, ka strādājošs vai karsts dzinējs un klusinātājs atrodas pietiekoši tālu no degošiem materiāliem, lai samazinātu uzliesmošanas risku.

TRANSPORTĒŠANA UN UZGLABĀŠANA

- Pirms uzglabāšanas vai transportēšanas apturiet iekārtu un ļaujiet tai atdzist.
- Noīriet visus svešķermeņus no izstrādājuma.
- Uzlieciet asmenim asmens aizsargu (maksti).
- Izleijiet no tvertnes visu atlikušo degvielu kādā citā traukā, kas ir piemērots degvielas glabāšanai. Atcerieties pareizi uzskrūvēt un novilkt degvielas tvertnes vāciņu.

EN
FR
DE
ES
IT
NL
PT
DA
SV
FI
NO
PL
RU
CS
HU
RO
LV
LT
ET
HR
SL
SK
BG
UK
TR





- Darbiniet dzinēju, līdz tas pilnībā beidz griezties. Tas iztukšo visu degvielu, kas ir novadējusies un atstāj degvielas sistēmā nosēdumus un sveķus.
- Uzglabājiet instrumentu vēsā, sausā un labi vēdināmā vietā, kas nav pieejama bērniem un atrodas pietiekoši atstatu no aizdegšanās avotiem.
- Neglabājiet to vietā, kur tuvumā atrodas korozīvas vielas, piemēram dārza darbos izmantojamas ķimikālijas vai atsaldēšanai domāta sāls.
- Neuzglabājiet ārpus telpām.
- Transportējot nostipriniet ierīci, lai tā nekustētos un neapgāztos, jo tas var izraisīt miesas bojājumus un ierīces bojājumus.
- Nekad nenesiet un netransportējiet produktu, kamēr tas darbojas.
- Ja glabājat degvielu un strādājat ar to, tad uzziniet, kādi vietēji noteikumi un nacionāli likumi attiecas uz šo jomu.

Īstermiņa uzglabāšana (mazāk par 1 mēnesi)

- Apturiet dzinēju un ļaujiet tam atdzist pirms novietošanas glabāšanai.
- Uzlieciet asmenim asmens aizsargu (maksti).
- Uzglabājiet instrumentu vēsā, sausā un labi vēdināmā vietā, kas nav pieejama bērniem un atrodas pietiekoši atstatu no aizdegšanās avotiem.
- Neglabājiet to vietā, kur tuvumā atrodas korozīvas vielas, piemēram dārza darbos izmantojamas ķimikālijas vai atsaldēšanai domāta sāls.
- Neuzglabājiet ārpus telpām.

APKOPE

⚠ BRĪDINĀJUMS

Aptarnavimā atlikti būtina itin atdīžiai, todēl rekomēduojamē, kad tehninē apžīurā vykdytū kvalifikuotas spēcialistas. Tehninei apžīurai atlikti patariamē gražinti prietaisā j artimiausjā jgaliot ā paslaugū teikimo tarnyb ā. Sugēdusias detales keiskite tik originaliomis detalēmīs.

⚠ BRĪDINĀJUMS

Asmeņi ir asi. Uzstādōt asmeni, izmantojiet neslīdōšus tam paredzētus aizsargcimdus. Neievietojiet roku vai pirkstus starp asmeņiem vai jebkurā citā vietā, kur tos var saspiest vai nogriezt. Nekad nepieskarieties asmenim vai neveiciet instrumenta apkopi, ja ir pievienots aizdedzes sveces vads.

⚠ BRĪDINĀJUMS

Neļaujiet bremžu šķidrūmam, benzīnam, naftas produktiem, smērvielām u.c. saskarties ar plastmasas detaļām. Ķīmiskie līdzekļi var sabojāt vai iznīcināt plastmasas elementus, kas savukārt var radīt smagus miesas bojājumus.

⚠ BRĪDINĀJUMS

Nemēģiniet pārveidot šo izstrādājumu vai izveidot piederumus, kas nav ieteikti lietošanai ar šo izstrādājumu. Bandymas jas keisti ar modifikuoti laikoma netinkamu naudojimu, galinčiu sukelti pavojingā situacijā ir jus rimtai sužeisti.

- Daudzus šajā lietotāja rokasgrāmatā aprakstītos regulēšanas un remontdarbus varat veikt pats. Lai veiktu citus remontdarbus, sazinieties ar pilnvarotu servisa darbinieku.
- Nepareizas apkopes rezultāts var būt pārlieki ogļu nosēdumi, kas izraisa veikspējas zudumu un melnu, eļļainu nosēdumu pilēšanu no slāpētāja.
- Pēc katras lietošanas reizes, notīriet ierīci un tās rokturus ar mīkstu, sausu audumu.
- Pēc katras lietošanas reizes, notīriet iežus no asmeņiem ar stingru otiņu, un uzmanīgi uzklājiet pretrūsu aizsargājošu eļļu, pirms pieliekat asmeņu aizsargus. Ražotājs iesaka vienmērīgi uzklāt un lietot pretrūsu aizsargājošu un ieeļļojošu aerosolu, lai samazinātu risku savainoties darbojoties ap asmeņiem. Konsultējieties ar vietējo autorizēto pārstāvi, lai iegūtu informāciju par piemērotiem līdzekļiem.
- Pirms lietošanas ieteicams nedaudz ieeļļot asmeņus, ja nepieciešams, izmantojot iepriekšminēto metodi.
- Regulāri pārbaudiet visus uzgriežņus, stiprinājumus un skrūves, lai pārliecinātos, ka tās ir cieši pievilktas un izstrādājums ir drošā darba stāvoklī. Jebkura bojāta detaļa jānodod remontam vai nomaīņai pilnvarotā apkopes centrā.

ASMENS NOMAĪŅA

- Periodiski pārbaudiet, vai asmeņi nav bojāti un nolietojušies. Ja kāds no asmeņiem ir bojāts, tas atbilstoši jāšaremontē vai jānomaina pilnvarotā servisa centrā.

AIZSPROSTOJUMU ATTĪRĪŠANA

- Apturiet dzinēju un nogaidiet, līdz visas kustīgās daļas apstājas.
- Atvienojiet aizdedzes sveces vadu.
- Asmeņi ir asi. Darbojoties asmens tuvumā, valkājiet izturīgus cimdus.
- Rūpīgi iztīriet nosprostojumus vai drizas ap asmeņiem vai citām kustīgajām daļām.

OBJEKTĪVIE RISKI

Pat ka prece ir lietotā kā noteikts, nav iespējams pilnībā novērst noteiktus riska faktoros. Lietošanas laikā var rasties šādas bīstamas situācijas, un lietotājam ir jāpievērš pastiprināta uzmanība, lai tās novērstu:

- Saskares ar cērtōšo daļu izraisīts veselības kaitējums
 - Nodrošiniet, ka izstrādājuma asmens aizsargi ir uzstādīti, arī kad izstrādājums netiek lietots. Turiet rokas un kājas pa gabalu no asmeņiem visu laiku.
- Vibrācijas radīts ievainojums.
 - Vienmēr izmantojiet pareizos rīkus tiem



paredzētajam darba, izmantojiet norādītos rokturus un ierobežojiet laiku, cik ilgi izmantojat ierīci. Skatīt nodaļu "Risku samazināšana" šajā rokasgrāmatā.

- Pakļaušanas troksnis var radīt dzirdes bojājumus.
 - Valkājiet ausu aizsargu un ierobežojiet saskarsmi.
- Acu savainojumi lidojošu atkritumu dēļ.
 - Vienmēr nēsājiet acu aizsardzību.
- Krītošu priekšmetu radīti ievainojumi.
 - Ja strādājat zonā, kur pastāv krītošu priekšmetu risks, jāvalkā galvas aizsargs.

RISKA SAMAZINĀŠANA

Ir ticis ziņots, ka vibrācijas no rokas instrumentiem atsevišķos cilvēkos var veicināt kaiti, ko sauc par Reino sindromu. Simptomi var ietvert pirkstu tinkšķēšanu, nejutīgumu un nobālēšanu, parasti aukstā laikā. Tiek uzskatīts, ka tradicionālie faktori, aukstums un mitrums, uzturs, smēķēšana un darba prakse sekmē šo simptomu attīstību. Operators var veikt pasākumus, lai iespējami samazinātu vibrācijas efektu:

- Aukstā laikā ķermenim jābūt siltam. Kad darbināt precī valkājiet cimdus, lai rokas un plaukstu locītavas būtu siltas. Ir pētījumi, ka auksts laiks ir galvenais faktors, kas veicina Reino sindromu.
- Ik pēc laika apturiet darbu un veiciet vingrinājumus, kas uzlabo asins cirkulāciju.
- Strādājot jābūt biežiem pārtraukumiem. Ierobežojiet iedarbības ilgumu dienā.

Ja jūs izjūtat kādu no šiem simptomiem, nekavējoties apturiet ierīces lietošanu un sazinieties ar ārstu par šiem simptomiem.

⚠ BRĪDINĀJUMS

Ilgstoša preces lietošana var radīt ievainojumus vai pasliktināt jau esošos. Ilgstoši lietojot jebkuru instrumentu, pārlicinieties, ka tiek veikti regulāri pārtraukumi.

PAZĪSTIET SAVU IERĪCI

Skatīt 191. lappusi

1. degvielas pieplūdes svira
2. Sākumuzpildes pūslis
3. Vairogs
4. Priekšējais rokturis
5. Aizdedzes svece
6. Palaides rokturis
7. Asmens
8. Gaisa filtra vāciņš
9. Gaisa filtra pārsegs
10. Degvielas tvertnes vāciņš
11. Rotējošā roktura fiksatora mēlīte
12. Slēdzis
13. Rotējošs rokturis
14. Droseļvārsta mēlītes aizslēgs
15. Ieslēgšanas/izslēgšanas slēdzis
16. Maksts

UZ PRECES ESOŠIE SIMBOLI



Drošības brīdinājums



Lai samazinātu ievainojumu risku, lietotājam ir jāizvairās no ievainojumiem, kas rodas, izmantojot rokasgrāmatā minēto ierīci.



Lietojiet dzirdes aizsargus



Valkājiet acu aizsargaprīkojumu



Vienmēr, strādājot ar dzīvzoga trimmeri, turiet to ar abām rokām.



Valkājiet neslīdošus darba cimdus.



Lai novērstu smagu traumu iegūšanu, nepieskarieties zāga asmeņiem.



Sargieties no izmestiem vai lidojošiem priekšmetiem. Rūpējieties, lai visi tuvmā stāvošie, īpaši bērni un dzīvnieki atrastos vismaz 15 m attālumā no darba zonas



Izmantojiet automašīnām paredzētu bezsvina benzīnu ar 91 ((R+M)/2) vai lielāku oktānskaitli.



Izmantojiet sintētisko eļļu, kas paredzēta divtaktu motoriem ar gaisa dzesēšanu.



Kārtīgi sajauciet degvielu ar 2-taktu eļļu pirms degvielas uzpildes.



Lai samazinātu ievainojuma vai bojājuma risku, nepieļaujiet pieskaršanos jebkurai karstai virsmai.



Nospiediet degvielas pumpītī 10 reizes.



Iestatiet droseles sviru pozīcijā "FULL" (pilna slodze).



Iestatiet droseles sviru pozīcijā "HALF" (puslīdzs).



Iestatiet droseles sviru pozīcijā "RUN" (darboties).



Ļaujiet ierīcei darboties tukšgaitā 10 sekundes.



Pavelciet palaišanas rokturi līdz dzinējs sāk darboties.



Neiesildīta dzinēja iedarbināšana



Iesildīta dzinēja iedarbināšana



Lai pagrieztu rotējošo rokturi, pavelciet roktura rotācijas mēlītes aizslēgu. Pagrieziet rokturi pa labi vai pa kreisi un atlaidiet roktura rotācijas mēlītes aizslēgu. Turpiniet griezt rokturi, līdz tas fikšējas 45° vai 90° stāvoklī.



Nospiediet mēlītes bloķētāju un droseles mēlīti.



Iestatiet slēdzi pozīcijā "I" pirms mēģināt startēt iekārtu.



Darbarīks atbilst visām normām ES valstī, kurā tas ir iegādāts.



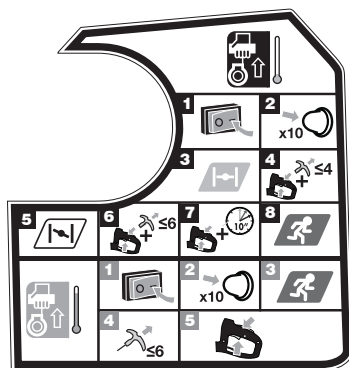
EurAsian atbilstības marķējums



Ukrainas apstiprinājuma zīme



Garantētais skaņas jaudas līmenis ir 105 dB.



PIEZĪME: Novietojiet trimmeri uz līdzenas horizontālas virsmas un pārļiecinieties, ka tā asmeņu tuvumā neatrodas nekādi priekšmeti vai traucēkļi.

Darbības uzsākšana ar aukstu dzinēju:

1. Pārslēdziet ieslēgšanas/izslēgšanas slēdzī stāvoklī "I".
2. Nospiediet degvielas pumpīti 10 reizes.

PIEZĪME: Nospiežot 7 reizes, degvielai jāparādās degvielas pumpītī. Ja nav, turpiniet spiest, līdz redzama degviela.

3. Iestatiet degvielas padeves sviru stāvoklī.
4. Nospiediet mēlītes bloķētāju un droseles mēlīti. Pavelciet startera rokturi, līdz dzinējs uzsāk darboties. Nevelciet palaišanas rokturi vairāk par 4 reizēm.
5. Iestatiet degvielas padeves sviru stāvoklī.
6. Nospiediet mēlītes bloķētāju un droseles mēlīti. Pavelciet palaišanas rokturi līdz dzinējs sāk darboties. Nevelciet palaišanas rokturi vairāk par 6 reizēm.
7. Nospiediet mēlītes bloķētāju un droseles mēlīti. Ļaujiet ierīcei darboties tukšgaitā 10 sekundes.
8. Iestatiet degvielas padeves sviru stāvoklī.

Darbības uzsākšana ar siltu dzinēju:

1. Pārslēdziet ieslēgšanas/izslēgšanas slēdzī stāvoklī "I".
2. Nospiediet degvielas pumpīti 10 reizes.
PIEZĪME: Nospiežot 7 reizes, degvielai jāparādās degvielas pumpītī. Ja nav, turpiniet spiest, līdz redzama degviela.
3. Iestatiet degvielas padeves sviru stāvoklī.
4. Stingri satveriet un saspiediet rotējošo rokturi, droseļvārsta mēlīti un droseļvārsta mēlītes fiksatoru ar kreiso roku. Pavelciet palaišanas rokturi līdz dzinējs sāk darboties. Nevelciet palaišanas rokturi vairāk par 6 reizēm.
5. Nospiediet mēlītes bloķētāju un droseles mēlīti.

SIMBOLI ŠAJĀ ROKASGRĀMATĀ



Atsevišķi nopērkamās daļas vai piederumi



Piezīme



Brīdinājums



Degvielas jaukšanas un degvielas tvertnes uzpildes laikā nesmēķējiet.



Aizdeģšanās risks.



Lai apturētu uzstrādājumu, nospiediet un turiet ieslēgšanas/izslēgšanas slēdzi "O" stāvoklī.

Lai izskaidrotu risku, kas saistīti ar izstrādājumu, līmeni, paredzēti šādi norādījuma vārdi un jēdzieni.

BĪSTAMI

Norāda draudošo bīstamo situāciju, kas, ja no tās neizvairās, var novest pie nāves vai nopietnas traumas.

BRĪDINĀJUMS

Norāda potenciālo bīstamo situāciju, kas, ja no tās neizvairās, var novest pie nāves vai nopietnas traumas.

UZMANĪBU

Norāda potenciālo bīstamo situāciju, kas, ja no tās neizvairās, var novest pie nelielas vai vidējas traumas.

UZMANĪBU

Bez drošības brīdinājuma apzīmējuma

Norāda uz situāciju, kas var radīt īpašuma bojājumus.

APKOPES GRAFIKS

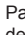

	Pirms katras lietošanas	Pēc 1. mēneša vai 20 darba stundām	Katrus 3 mēnešus vai ik pēc 50 darba stundām	Katrus 3 mēnešus vai ik pēc 100 darba stundām	Katru gadu vai ik pēc 300 darba stundām
Pārbaudiet motoreļļu	■				
Nomainiet motoreļļu		■		■	
Pārbaudiet gaisa filtru	■				
Iztīriet gaisa filtru.			■		
Nomainiet gaisa filtru					■
Pārbaudiet/noregulējiet aizdedzes sveci				■	
Gaisa filtra nomaina					■
Pārbaudiet/noregulējiet tukšgaitas apgriezienus					■
Iztīriet pretdzirksteļu režģi.			■		
Uzlieciet jaunu dzirksteļu uztvērēju.					■
Pārbaudiet/noregulējiet vārstu atstatumu ¹					■
Iztīriet degvielas tvertni un filtru ¹				■	
Pārbaudiet degvielas cauruli	■				
Pārbaudiet degvielas filtru	■				
Gaisa filtra nomaina					■
Pārbaudiet visus cauruļu savienojumus	■				
Pārbaudiet degvielas tvertnes tvaiku ventilāciju (ja ir aprīkojumā)	■				
Pārbaudiet oglekļa tvertni (tikai karburatora modeļiem)	■				

1. Šie darbi ir jāveic tikai pilnvarotā servisa centrā.

PIEZĪMES:

- Apkope ir jāveic biežāk, ja izstrādājums tiek izmantots putekļainās vietās.
- Kad izstrādājums ir pārsniedzis maksimālos parametrus, kas norādīti tabulā, turpiniet veikt apkopes saskaņā ar stundu intervāliem, kas tajā ir norādīti.

GEDIMŅU NUSTATĪMAS

Gedimas	Galima priekzastis	Sprendimas
Dzinēju nevar palaist.	Nav dzirksteles.	Pārbaudiet aizdedzes dzirksteli. Izņemiet sveci. Uzlieciet vietā aizdedzes sveces uzgali un nolieciet sveci guļus uz metāla cilindra. Pavelciet startera auklu un pārbaudiet vai aizdedzes sveces galā pārlec dzirkstele. Ja nav dzirksteles, atkārtojiet pārbaudi ar jaunu aizdedzes sveci.
	Nav degvielas	Atkārtoti nospiediet padeves baloniņu, līdz tas ir pilns ar degvielu. Ja kolba nepiepildās, ir nosprostojušies primārā degvielas sistēma. Sazinieties ar apkalpojošo izplatītāju. Ja karburatora kolba uzpildās, dzinējs var būt pārplūdis, pārejiet pie nākošā soļa.
	Pārplūdis dzinējs.	Pavelciet startera rokturi 3 reizes, kamēr degvielas padeves svira ir  stāvoklī. Ja dzinējs nesāk darboties, pārbīdīet degvielas padeves sviru  stāvoklī un atkārtojiet normālu palaišanas procedūru. Ja dzinējs vēl arvien nav iedarbināms, atkārtojiet šīs darbības ar jaunu sveci.
	Startera auklu ir grūti pavilkt.	Sazinieties ar apkalpojošo izplatītāju.
Dzinējs iedarbojas, bet neuzņem apgrīzienus.	Dzinējam nepieciešamas aptuveni trīs minūtes, lai uzsiltu.	Ļaujiet dzinējam pilnīgi uzsilt. Ja dzinēju nevar paātrināt pēc trīs minūtēm, sazinieties ar apkalpojošo izplatītāju.
Dzinēju var palaist, bet tas darbojas tikai ar lieliem apgrīzieniem un ar līdz pusei atvērtu pieplūdi.	Ir nepieciešams iestatīt karburatoru.	Sazinieties ar apkalpojošo izplatītāju.
Dzinējs nesasniedz pilnu jaudu, un/vai izdalās pārāk daudz dūmu.	Eļļas/degvielas maisījums ir nepareizs.	Izmantojiet svaigi sajauktu degvielu, kurā izmantots pareizs daudzums divtaktu dzinējiem domātas eļļas.
Dzinējs sāk strādāt, griežas, bet nēpārslēdzas tukšgaitā.	Gaisa filtrs ir aizsērējis.	Iztīriet gaisa filtru. Skatiet Gaisa filtra tīrīšana šīs rokasgrāmatas nodaļā Apkopes.
	Pretdzirksteļu režģis ir aizsērējis.	Sazinieties ar apkalpojošo izplatītāju.
	Nepieciešams veikt karburatora tukšgaitas skrūves regulēšanu.	Sazinieties ar apkalpojošo izplatītāju.

Kuriant benzinu varomų gyvatvorių žirklių konstrukciją, didžiausia pirmenybė buvo skiriama saugai, našumui ir patikimumui.

NAUDOJIMO PASKIRTIS

Benzinu varomos gyvatvorių žirklys yra skirtos naudoti tik suaugusiems, kurie yra perskaitę ir supratę šiame vadove pateikiamas instrukcijas bei įspėjimus ir gali būti laikomi atsakingais už savo veiksmus.

Prietaisas skirtas naudoti lauke, gerai vėdinamoje vietoje. Darbo šiuo įrenginiu saugą galima užtikrinti tik dirbant abiem rankomis.

Gaminys skirtas namų savininkams arba buitiniam naudojimui. Jis skirtas gyvatvorėms, krūmams ir panašioms augalams pjauti ir genėti, kurių stiebai ir šakos nėra storesni kaip 28 mm. Jį reikia naudoti sausose ir gerai apšviestose vietose.

Jis NESKIRTAS pjauti žolę, medžius ar šakas. Šio įrankio nenaudokite jokiam kitam darbui, tik gyvatvorių apkarpymui.

⚠ ĮSPĖJIMAS

Kad išvengtumėte sunkių sužeidimų, prieš naudodamiesi įrankiu įdėmiai perskaitykite ir visiškai įsisavinkite vartotojo instrukciją. Dėl nuolatinio saugaus darbo išsaugokite šias instrukcijas ir dažnai jas peržiūrėkite bei apmokykite kitus asmenis, dirbančius su šiuo įrankiu.

Įsisaugokite šias instrukcijas.

BENDRIEJI SAUGOS ĮSPĖJIMAI

⚠ ĮSPĖJIMAS

Perskaitykite visus saugos įspėjimus ir visą instrukciją. Įspėjimų ir instrukcijų nesilaikymas gali sukelti gaisrą ir (ar) rimtus sužeidimus. Saugokite šiuos įspėjimus ir nurodymus, kad galėtumėte vadovautis jais vėliau.

PARUOŠIMAS

⚠ ĮSPĖJIMAS

Šis prietaisas gali sukelti sunkius sužeidimus. Atidžiai perskaitykite šias instrukcijas, kaip teisingai dirbti su prietaisu, jį paruošti, prižiūrėti, užvesti ir išjungti. Būtina susipažinti su gaminio valdymo įtaisais ir tinkamo naudojimo nurodymais.

- Neleiskite vaikams ar neapmokytiems asmenims naudotis šiuo prietaisu.
- saugokitės viršuje esančių elektros laidų keliamo pavojaus
- Visi asmenys, vaikai ir gyvūnai turi būti bent 15 metrų atstumu. Niekada nenaudokite šio prietaiso šalia esant kitiems asmenims, gyvūnams, o ypač vaikams.
- Dėvėkite tik darbui tinkamus drabužius. Nevilkėkite palaidų drabužių ir nusimkite papuošalus; juos gali

pagriebti judančios dalys.

⚠ ĮSPĖJIMAS

Naudojantis bet koku elektriniu prietaisu staiga mesti pašaliniai daiktai gali kliudyti akis ar jas smarkiai sužaloti. Prieš eksploatuodami produktą visada dėvėkite apsauginius akinius arba saugos akinius su šoninėmis apsaugomis ir, jei reikia, viso veido apsaugą. Mes rekomenduojame platus vaizdo apsauginę kaukę, kuri dėvima kartu su apsauginiais akiniais arba standartiniais akiniais su šonine apsauga.

- Neekspluatuokite įrangos basomis kojomis arba avėdami sandalus ar panašią lengvą avalynę. Avėkite neslystančią, apsauginę avalynę, kuri apsaugos jūsų pėdas ir leis tvirtiau stovėti ant slidžių paviršių.

⚠ ĮSPĖJIMAS

Dirbdami su kuru būkite ypač atsargūs. Benzinas yra degus, o jo garai yra toksiški ir sprogūs.

- Naudokite tik tokias degalų talpyklas, kurios yra patvirtintos laikyti benzinui.
 - Įpilkite degalų prieš užvesdami variklį. Niekada nenuimkite degalų bako dangtelio ar nepildykite degalų, kai variklis veikia arba kai jis yra įkaitęs.
 - Nerūkyti.
 - Visada degalus pilkite lauke. Niekada nepildykite degalų patalpoje ar prastai vėdinamoje vietoje. Laikykite atokiai nuo visų uždegimo, kibirkščių ir liepsnos šaltinių.
 - Niekada nelaikykite produkto su j degalų baką įpiltais degalais pastate, kuriame yra uždegimo šaltiniai, kaip antai karšto vandens ir patalpos šildytuvai, drabužių džiovintuvai ir pan.
 - Nušluostykite įrankį, jei išlijote šiek tiek degalų. Prieš užvesdami variklį, pasitraukite 9 m nuo tos vietos, kur į įrangą pylėte degalus.
 - Tvirtai užsukite visus degalų bako ir talpyklos dangtelius.
 - Jei norite ištuštinti baką, degalus pilkite lauke.
 - Jei pjovimo mechanizmas liečia kokius nors pašalinius objektus ar jei prietaisas pradeda skleistis neįprastus garsus ar vibruoti, prietaisą išjunkite ir palaukite kol variklis nustos suktis. Atjunkite uždegimo žvakės laidą nuo uždegimo žvakės ir atlikite šiuos veiksmus:
 - patikrinkite, ar jis neapgadintas
 - Patikrinkite, ar nėra atsipalaidavusių dalių, ir jas pakeiskite.
- Pažeistas detales būtina pakeisti arba suremontuoti naudojant tokių pat specifikacijų detales.

⚠ ĮSPĖJIMAS

Naudojant šį prietaisą keliamas didelis triukšmas. Privalote dėvėti klausos apsaugos priemones, kad nebūtų padaryta ilgalaikės žalos klausai.



ĮSPĖJIMAS

Visada užsidėkite apsauginius akinius arba akinius su šoniniais skydais, kai dirbate su šiuo įrankiu. Neužsidėjus, į jūsų akis gali patekti nuolaužų, kurios gali rimtai sužaloti.

- Norėdami skubiai sustabdyti variklį kilus avarinei padėčiai: Paspauskite įjungimo / išjungimo jungiklį į išjungimo padėtį (O).

EKSPLOATAVIMAS

- Visada sustabdykite variklį, atjunkite kibirkščių žvakės gaubtą nuo žvakės, leiskite jai atvėsti, pasirūpinkite, kad visos judančios dalys visiškai sustotų ir tik tada:
 - Bako pripildymas
 - nustatykite darbinę padėtį arba galinės rankenos padėtį
 - gaminio palikimas be priežiūros
 - gaminio valymas
 - priedų keitimas
 - užsikimšimų valymas
 - patikrinkite, ar prietaisas neapgadintas po sutrenkimo į kitą daiktą
 - patikrinkite šį gaminį dėl apgadinimo, jei jis pradeda neįprastai vibruoti
 - techninės priežiūros atlikimas
- Variklį užveskite tik tada, kai gyvatvorių žirkklės yra saugioje darbinėje padėtyje. Gamintojas rekomenduoja, kad gaminys būtų padėtas ant pagrindo, kur mentės negalėtų nieko liesti, ir tik tada būtų užvedamas variklis.
- Dirbdami su gyvatvorių žirkklėmis, niekada nepersisverkite ir nestovėkite ant nestabilios atramos. Visada tvirtai stovėkite ir išlaikykite pusiausvyrą. Gamintojas nepataria pasilypėti ant laiptelių ar kopėčių. Jeigu reikia pjauti aukščiau, naudokite pailgintą įrankį.
- Prietaiso nenaudokite, jei pjovimo įtaisas yra pažeistas ar žymiai nusidėvėjęs.
- Kad gaisro pavojus būtų kuo mažesnis, variklyje ir slopintuve negali susikaupti nešvarumai, sąnašos, lapai ir per daug tepalų.
- Prieš pradėdami naudotis įrankiu visada įsitikinkite, kad visos rankenos ir apsaugos yra tinkamai pritvirtintos. Niekada nebandykite naudoti nesurinkto gaminio arba atlikę neleisčius pakeitimus.
- Prietaisą su dvejomis rankenomis visada laikykite abejomis rankomis.
- Susipažinkite su aplinka ir būkite pasirengę pavojams, kurių jūs galite nepastebėti dėl iš įrankio sklindančio triukšmo.

PAPILDOMAS ĮSPĖJIMAS

- Variklio negalima laikyti įjungto uždaroje erdvėje, kur gali kauptis pavojingi anglies monoksido garai. Anglies monoksidas, bespalvės, bekvapės ir ypač pavojingos dujos, galinčios sukelti sąmonės netekimą ar mirtį.
- Nesinaudokite šiuo prietaisu, kai esate pavargę, sergate, ar esate pavartoję alkoholio, narkotikų ar vaistų.

- Prieš kiekvieną naudojimą patikrinkite, ar tinkamai veikia visi valdikliai ir saugos įtaisai. Nenaudokite krūmapjovės, jeigu išjungimo jungikliu nepavyksta sustabdyti variklio. Sugedusius jungiklius gali pakeisti tik įgalioti techninės priežiūros centro darbuotojai.
- Prieš kiekvieną naudojimą apžiūrėkite krūmapjovę. Patikrinkite, ar nėra atspalaidavusių tvirtinamųjų elementų, ar neprateka kuras ir pan. Neekspluatuokite, jei yra degalų nutekėjimas arba jei rankenos ir apsaugos nėra pritvirtintos ir visiškai funkcionalios.
- Ilgus plaukus reikia susėti virš pečių lygio, kad neįsipainiotų į judančias dalis.
- Dirbkite gerai apšviestoje aplinkoje. Kad pastebėtų galimus pavojus, prietaisu dirbančiam asmeniui turi būti sudarytos gero matomumo sąlygos.
- Prieš pradėdami darbą sutvarkykite darbo vietą. Pašalinkite visus pašalinius daiktus, kaip antai stulpus, laidus ar virves, kurios gali sugadinti arba įsipainioti į judamąsias dalis ar pjovimo priemones.
- Nuolatos tikrinkite, ar už gyvatvorės ar krūmų, kuriuos ketinate apkirpti, nėra žmonių ar gyvūnų. Netoliese naudojant panašius prietaisus padidėja pavojus pakenkti klausą ir galimybė kitiems asmenims patekti į darbo zoną.
- Dažnai tikrinkite visas veržles, varžtus ir sraigtus, ar jie tvirtai laikosi ir ar gaminys yra saugios darbo būklės stovyje. Bet kurią apgadintą detalę leidžiama remontuoti arba keisti tik autorizotuose aptarnavimo centre.

ĮSPĖJIMAS

Atleidus droselio spragtuką, o varikliu veikiant tuščiaja eiga, pridedamas pjovimo įtaisas ar geležtė jokių būdu negali judėti. Jeigu ji ir toliau juda, gaminį naudojantis asmuo gali sunkiai susižeisti. Neekspluatuokite įrenginio. Gražinkite jį į įgaliotąjį techninio aptarnavimo centrą, kad profesionaliai sureguliuotų.

- Nelieskite vietų šalia duslintuvo ar prietaiso variklio, nes šios detalės prietaiso naudojimo metu įkaista.
- Draudžiama kaip nors modifikuoti gaminį.
- Nepjunkite per jėgą tankių krūmų. Dėl to geležtė gali užsikirsti ir pradėti lėčiau dirbti. Geležtėms sulėtėjus sumažinkite darbo tempą.
- Nepjunkite stiebų ar šakų, storesnių nei 28 mm, ar kitų, akivaizdžiai per didelių, kad tilptų tarp geležčių. Norėdami nupjauti storesnius stiebus ir šakas, naudokite rankinį arba gremiamą pjūklą.
- Pasirūpinkite, kad veikiantis arba karštas variklis ir duslintuvas būtų atokiai nuo degujų medžiagų, kad sumažėtų gaisro pavojus.

GABENIMAS IR LAIKYMAS

- Prieš padėdami į sandėlį ar gabendami, sustabdykite įrenginį ir leiskite jam ataušti.
- Nuo įrankio nuvalykite visas pašalines medžiagas.
- Uždenkite mentes menčių apsauga (makštimi).
- Išpilkite visus bako likusius degalus į indą, oficialiai skirtą benziniui laikyti. Neužmirškite tinkamai užsukti ir priveržti degalų bako dangtelį.



- Tegul variklis sukasi, kol jis sustos. Tai pašalina visus degalus, kurie gali pasenti ir degalų sistemoje palikti laką bei gumą.
 - Gaminį saugokite vėsioje, sausoje ir gerai vėdinamoje vietoje, kur nepatektų vaikai ir kuri būtų atokiai nuo degimo šaltinių.
 - Nelaikykite jo arti nuo tokių koroziją sukeliančių reagentų kaip cheminės sodininkystės medžiagos arba druskos, naudojamos prieš apledėjimą.
 - Nelaikykite lauke.
 - Paruošiant gabenimui, gaminį reikia pritvirtinti, kad nejudėtų ir nenukristų, nes priešingu atveju jis gali sužaloti žmones arba sugesti pats.
 - Niekada neneškite ir negabenkite prietaiso, kai jis veikia.
 - Remkitės nacionaliniais ir vietiniais įstatymais dėl degalų saugojimo ir manipuliavimo jais.
- Trumpalaikis saugojimas (mažiau kaip 1 mėn.)**
- Prieš padėdami įrenginį sandėliuoti išjunkite variklį ir palaukite, kol jis atvės.
 - Uždenkite mentes menčių apsauga (makštimi).
 - Gaminį saugokite vėsioje, sausoje ir gerai vėdinamoje vietoje, kur nepatektų vaikai ir kuri būtų atokiai nuo degimo šaltinių.
 - Nelaikykite jo arti nuo tokių koroziją sukeliančių reagentų kaip cheminės sodininkystės medžiagos arba druskos, naudojamos prieš apledėjimą.
 - Nelaikykite lauke.

PRIEŽIŪRA

⚠ ĮSPĖJIMAS

Aptarnavimą atlikti būtina itin atidžiai, todėl rekomenduojame, kad techninę apžiūrą vykdytų kvalifikuotas specialistas. Techninei apžiūrai atlikti patariame gražinti prietaisą į artimiausią įgaliotą paslaugų teikimo tarnybą. Sugedusias detales keiskite tik originaliomis detalėmis.

⚠ ĮSPĖJIMAS

Geležts aštrios. Lieskite geležtes tik dėvėdami neslidžias, tvirtas apsaugines pirštines. Nedėkite plaštakos ar pirštų tarp geležčių ar ten, kur jie gali būti sugnybti ar įpjauti. Niekada nelieskite menčių ar nevykdykite produkto techninės priežiūros jei kibirkščių žvakės laidas yra prijungtas.

⚠ ĮSPĖJIMAS

Neleiskite stabdžių skysčiams, benzinui, naftos produktams, persisunkiantiems tepalams ir kt. susiliesti su plastikinėmis dalimis. Chemikalai gali pažeisti, susilpninti arba suardyti plastiką ir dėl to galima rimtai susižaloti.

⚠ ĮSPĖJIMAS

Nebandykite prietaiso modifikuoti ar kurti priedų, kurie nėra rekomenduojami naudoti su šiuo produktu. Bandymas jas keisti ar modifikuoti laikoma netinkamu naudojimu, galinčiu sukelti pavojingą situaciją ir jus rimtai sužeisti.

- Prietaisą galite reguliuoti ir remontuoti, kaip aprašyta šiame naudotojo vadove. Dėl kitų remonto darbų kreipkitės į įgaliotą techninio aptarnavimo centrą.
- Pasekmės dėl netinkamos priežiūros gali būti šios: per didelės anglies dioksido sankaupos, dėl kurių gali suprastėti įrankio darbas; bei juodos, alyvos formos atliekos, tekantčios iš slopintuvo.
- Po kiekvieno panaudojimo nuvalykite įtaiso korpusą ir rankenas minkšta sausa servetėle.
- Po kiekvieno panaudojimo nuvalykite sąnašas nuo geležčių standžiu šepetėliu, po to rūpestingai ištepkite nuo rūdijimo apsaugančiu tepalu ir tik tada uždekite geležčių apsauginį įrenginį. Gamintojas pataria naudoti purškiamąjį nuo rūdijimo apsaugantį tepalą, kad tolygiai pasiskirstytų ant geležčių bei būtų mažesnis pavojus susižeisti prie jų prisilietus. Informacijos apie tinkamą purškiamąjį tepalą kreipkitės į vietinį įgaliotą techninio aptarnavimo centrą.
- Jei reikia, galite minėtuoju būdu truputį patepti geležtes prieš naudodami įtaisą.
- Dažnai tikrinkite visas veržles, varžtus ir sraigtus, ar jie tvirtai laikosi ir ar gaminys yra saugios darbo būklės stovyje. Bet kurią apgadintą detalę leidžiama remontuoti arba keisti tik autorizuotame aptarnavimo centre.

MENČIŲ PAKEITIMAS

- Geležtes reguliariai patikrinkite, ar jos neapgadintos ir nenusidėvėję. Jei kuri nors mentė yra sugadinta, jas būtina tinkamai sutaisyti arba pakeisti įgaliotame techninės priežiūros centre.

UŽSIKIMŠUSIO GAMINIO VALYMAS

- Sustabdykite variklį ir palaukite, kol judamosios dalys sustos.
- Atjunkite uždegimo žvakės laidą.
- Geležtes aštrios. Dirbdami arti menčių dėvėkite didelės apkrovos pirštines.
- Atidžiai išvalykite užsikimšimus arba nuvalykite liekanas nuo menčių ir kitų judančių dalių.

ŠALUTINIAI PAVOJAI

- Net naudojant gaminį pagal nurodymus, neįmanoma visiškai atmesti visų pavojaus veiksnių. Gali kilti toliau nurodyti pavojai, todėl operatorius turi būti itin dėmesingas, kad išvengtų šių dalykų:
- Sužeidimas, sukeltas sąlyčio su pjovimo įtaisais
 - Kai įrenginys nenaudojamas, geležčių apsauginiai dėklai turi būti uždėti. Rankas ir kojas reikia visada laikyti atokiai nuo geležčių.
 - Vibracijos sukeltas sužalojimas.
 - Kiekvieną darbą atlikite jam skirtu įrankiu, naudokite

atitinkamas rankenas ir ribokite darbo bei buvimo sveikatai žalingoje aplinkoje laiką. Žr. šio vadovo skyrių „Pavojaus mažinimas“.

- Klausos pakenkimas dėl buvimo triukšme.
 - Dėvėkite akių apsaugą ir ribokite poveikio trukmę.
- Akių traumas dėl ištiškusių nuolaužų.
 - Būtinai dėvėti akių apsaugą.
- Krintančių objektų nulemti sužeidimai.
 - Dirbant zonoje, kurioje gali kristi objektai, būtina dėvėti galvos apsaugos priemones.

RIZIKOS MAŽINIMAS

Turime pranešimų, kad vibracija nuo ranka laikomų įrankių kai kuriems asmenims gali turėti neigiamos įtakos vystantis Raynaud sindromui. Šios ligos požymiai yra pirštų dilgčiojimas, nutirpimas ir pabalimas, paprastai pasireiškiantis nuo šalčio. Šie simptomai vystosi dėl paveldimų veiksnių, nesisaugant nuo šalčio ir drėgmės, dėl mitybos, rūkymo ir darbo praktikos. Operatorius gali imtis šių priemonių, kurios gali sumažinti vibracijos poveikį:

- Apsirenkite kuo šilčiau šaltu oru. Naudojant gaminį, reikia mūvėti pirštines, kad plaštakos ir riešai neatšaltų. Turime pranešimų, kad Raynaud sindromas labiausiai vystosi nuo šalto oro sąlygų.
- po darbo kiekvieną kartą pasportuokite, kad pagerėtų kraujo apytaka;
- dažnai darykite darbo pertraukas. Apribokite darbo laikotarpį per dieną.

Jei jums pasireiškia kokie nors šios būklės simptomai, nedelsdami nutraukite darbą ir kreipkitės į gydytoją.

⚠ ĮSPĖJIMAS

Ilgiau naudojant, įrankis kelia sužeidimų pavojų ir apsunkina darbą. Ilgiau naudojant įrankius, reikia reguliariai daryti pertraukas.

PAŽINKITE SAVO GRANDININĮ PJŪKLĄ

Žr. 191 psl.

1. Droselio slankiklis
2. Pasiurbimo pompytė
3. Apsauginis skydelis
4. Priekinė rankena
5. Uždegimo žvakės apsauginis gaubtas
6. Starterio rankena
7. Geležė
8. Oro filtro dangtelis
9. Ventilacijos kameros dangčio rankenėlė
10. Kuro dangtelis
11. Sukamosios rankenos užrakto fiksatorius
12. Akceleratoriaus mygtukas
13. Sukamoji rankena
14. Droselinės sklendės paleidiklio užraktas
15. Įjungimo/išjungimo mygtukas
16. Makštis

SIMBOLIAI ANT ĮRENGINIO



Pranešimas apie saugumą



Prieš pradėdami naudoti šį gaminį perskaitykite ir supraskite šią vartotojo instrukciją, kad sumažintumėte sužeidimų pavojų.



Dėvėkite ausų apsaugos priemones



Dėvėkite apsauginius akinius



Dirbdami su gyvatvorės apkarpyimo mašinele ją laikykite abiem rankomis.



Mūvėkite neslystančias, tvirtas apsaugines pirštines.



Kad sunkiai nesužeistumėte, nelieskite pjovimo geležčių.



Saugokitės išmetamų arba skrendančių objektų. Visi pašaliniai asmenys, ypač vaikai ir naminiai gyvūnai, turi būti ne arčiau kaip 15 m nuo darbo vietos.



Naudokite benzinaž be švino, skirtą automobiliams, su oktaniu skaičiumi 91 ((R+M)/2) arba didesniu.



Naudokite sintetinę alyvą dviejų taktų oru aušinamiems varikliams.



Prieš pildydami degalais kruopščiai sumaišykite degalus ir dvitaktiams varikliams skirtą tepalą.



Siekiant išvengti sužeidimų arba turto sugadinimų, neprilieskite prie karštų paviršių.



Paspauskite užvedimo lemputę 10 kartų.



Nustatykite droselio svirtį į "Full" droselio padėtį.



Nustatykite droselio svirtį į "Half" droselio padėtį.



Nustatykite droselio svirtį į "Run" padėtį.



Gaminys turi 10 sekundžių veikti tuščiajame eiga.



TRAUKITE rankinį starterį tol, kol variklis užsiveda.



Šaltas paleidimas



Karštas paleidimas

Norėdami pasukti sukamąją rankeną, patraukite už rankenos sukimo gaiduko fiksuotą rankeną į dešinę arba kairę pusę ir atleiskite rankenos sukimo gaiduko fiksuotą rankeną. Sukite sukamąją rankeną, kol ji užsifikuos 45° arba 90° kampo padėtimi.



Nuspauskite perjungiklio užraktą ir droselinį perjungiklį.



Prieš pradėdami užvesti variklį, jungiklį nustatykite į „I“ padėtį.



Šis prietaisas atitinka visas reglamentuotas normas ES šalies, kur jis buvo nupirktas.



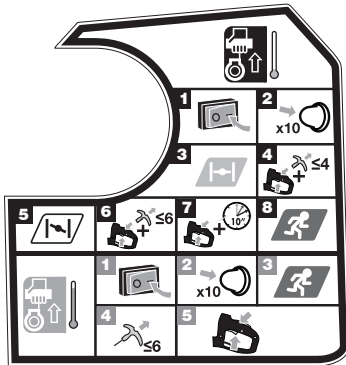
„EurAsian“ atitikties ženklas



Ukrainos atitikties ženklas



Garantuojama garso galia yra 105 dB



PASTABA: Žoliaprovę padėkite ant žemės bei užtikrinkite, kad aplinkui nebūtų jokių daiktų ir kliūčių, kurie galėtų susilieti su geležte.

Šalto variklio užvedimas:

1. Įjungimo / išjungimo jungiklį nustatykite į padėtį „I“.
2. Paspauskite užvedimo lemputę 10 kartų.
PASTABA: Nuspaudus 7-ą kartą, kuras turėtų būti matomas užvedimo lemputėje. Jei ne, ir toliau spauskite tol, kol kuras bus matomas.
3. Nustatykite droselio svirtį į padėtį.
4. Nuspauskite perjungiklio užraktą ir droselinį perjungiklį. Traukite užvedimo troselį tol, kol variklis pradeda

užsivesti. Starterio rankenėlis netraukite daugiau nei 4 kartus.

5. Nustatykite droselio svirtį į padėtį.
6. Nuspauskite perjungiklio užraktą ir droselinį perjungiklį. **TRAUKITE** rankinį starterį tol, kol variklis užsiveda. Starterio rankenėlis netraukite daugiau nei 6 kartus.
7. Nuspauskite perjungiklio užraktą ir droselinį perjungiklį. Gaminys turi 10 sekundžių veikti tuščiaja eiga.
8. Nustatykite droselio svirtį į padėtį.

Šilto variklio užvedimas:

1. Įjungimo / išjungimo jungiklį nustatykite į padėtį „I“.
2. Paspauskite užvedimo lemputę 10 kartų.
PASTABA: Nuspaudus 7-ą kartą, kuras turėtų būti matomas užvedimo lemputėje. Jei ne, ir toliau spauskite tol, kol kuras bus matomas.
3. Nustatykite droselio svirtį į padėtį.
4. Kaire ranka tvirtai laikykite suspaudę sukamąją rankeną, droselio gaiduką ir droselio gaiduko fiksuotą rankeną, droselio gaiduką ir droselio gaiduko fiksuotą rankeną. **TRAUKITE** rankinį starterį tol, kol variklis užsiveda. Starterio rankenėlis netraukite daugiau nei 6 kartus.
5. Nuspauskite perjungiklio užraktą ir droselinį perjungiklį.

SIMBOLIAI VADOVE



Detalės arba priedai yra parduodami atskirai



Pastaba



Įspėjimas!



Maišydami kurą arba pildydami kuro baką kuru, nerūkykite.



Gaisro pavojus.



Norėdami gaminį išjungti, paspauskite ir laikykite įjungimo / išjungimo jungiklį „I/O“ išjungimo padėtyje „O“.

Šie signaliniai žodžiai yra skirti nurodyti su prietaisu naudojimu susijusio pavojaus lygį.

⚠ PAVOJUS

Reiškia ypač pavojingą padėtį, kurios neišvengus bus patirti sunkūs ar net mirtini sužeidimai.

⚠ ĮSPĖJIMAS

Reiškia potencialiai pavojingą situaciją, kurios neišvengus galimi sunkūs ar net mirtini sužeidimai.

⚠ ATSARGIAI

Reiškia potencialiai pavojingą situaciją, kurios neišvengus galimi lengvi ar vidutinio sunkumo sužeidimai.

ATSARGIAI

Be įspėjamųjų simbolių

Reiškia nuosavybės žalos tikimybę.

PRIEŽIŪROS TVARKARAŠTIS



	Prieš kiekvieną naudojimą	Po 1 mėnesio arba po 20 eksploatacijos valandų	Po 3 mėnesių arba po 50 eksploatacijos valandų	Po 3 mėnesių arba po 100 eksploatacijos valandų	Kasmet arba po 300 eksploatacijos valandų
Patikrinkite variklio tepalų lygį	■				
Pakeiskite variklio tepalus		■		■	
Patikrinkite oro filtrą	■				
Išvalykite oro filtrą.			■		
Pakeiskite oro filtrą					■
Patikrinkite / sureguliuokite kibirkščių žvakę				■	
Pakeiskite kuro filtrą					■
Patikrinkite / sureguliuokite tuščiąją eiga					■
Išvalykite kibirkščių gesiklio groteles.			■		
Kibirkščių gesintuvą pakeiskite nauju.					■
Patikrinkite / sureguliuokite vožtuvo tarpą ¹					■
Išvalykite degalų baką ir filtrą ¹				■	
Patikrinkite degalų žarną	■				
Patikrinkite degalų filtrą	■				
Pakeiskite kuro filtrą					■
Patikrinkite visas žarnų jungtis	■				
Patikrinkite degalų bako garų ventiliacijos angą (jei įrengta)	■				
Patikrinkite anglinį filtrą (tik modeliuose su karbiuratoriumi)	■				

1. Šiuos darbus reikia atlikti tik įgaliotame techninės priežiūros centre.

PASTABOS:

- Jei produktas naudojamas dulkelioje aplinkoje, būtina dažniau vykdyti profilaktinę priežiūrą.
- Jei gaminyje naudojamas viršijant lentelėje nurodytas didžiausias vertes, techninės priežiūros darbus vis tiek reikia atlikti vadovaujantis šiuo dokumentu nurodytais intervalais ir darbo valandomis.

GEDIMŲ NUSTATYMAS

Gedimas	Galima priežastis	Sprendimas
Variklis neužsiveda.	Nėra kibirkšties.	Patikrinkite kibirkštis. Išimkite žvakę. Vėl uždėkite kibirkščių žvakės gaubtą ir uždėkite kibirkščių žvakę ant metalinio cilindro. Patraukite paleidiklio virvę ir stebėkite, ar kibirkščių žvakės gale atsiranda kibirkštis. Jei kibirkštis nėra, pakartokite bandymą su nauja kibirkščių žvakę.
	Nėra degalų	Suspauskite guminį suspaudžiamąjį siurbį (guminę „kriaušę“), kol jis prisipildys degalų. Jeigu guminis suspaudžiamasis siurblys (guminė „kriaušė“) neužpildomas, užblokuota pirminė degalų tiekimo sistema. Kreipkitės į techninės priežiūros atstovą. Jeigu guminis suspaudžiamasis siurblys (guminė „kriaušė“) yra pripildomas, variklis gali būti užliejamas, imkitės kito etapo veiksmų.
	Variklis apsemtas.	Patraukite starterio trosą 3 kartus, kai droselio svirtis nustatyta į padėtį  . Jei variklis neįsijungia, nustatykite droselio svirtį į droselio padėtį  ir dar kartą atlikite įprastą procedūrą. Jei variklis vis tiek neįsijungia, tai pakartokite šiuos skirtingus etapus su nauja žvakę.
Variklis įsijungia, bet sukimosi greitis nedidėja.	Sunku traukti starterio trosą.	Kreipkitės į techninės priežiūros atstovą.
	Variklis įšyla apytikriai per tris minutes.	Palaukite, kol variklis tinkamai įšyla. Jeigu variklis po trijų minučių neveikia būtiniu sūkių dažniu, susisiekite su įgaliotuoju platintoju.
	Reikia sureguliuoti karbiuratorių.	Kreipkitės į techninės priežiūros atstovą.
	Netinkamas tepalo ir kuro mišinys.	Naudokite neseniai sumaišytus degalus, turinčius gerą alyvos 2 taktų varikliams proporciją.
	Oro filtras purvinas.	Išvalykite oro filtrą. Žiūrėkite skyrių Oro filtro valymas šio vadovo skyriuje Priežiūra.
Variklis įsijungia, sukasi ir pagreitėja, bet neveikia tuščios eigos režime.	Kibirkščių gesiklio grotelės yra purvinos.	Kreipkitės į techninės priežiūros atstovą.
	Tuščiosios eigos sūkių dažnio sraigta karbiuratoriuje būtina reguliuoti.	Kreipkitės į techninės priežiūros atstovą.

Bensiinimootoriga hekilõikuri juures on peetud esmatähtsaks selle ohutust, töövõimet ja töökindlust.

OTSTARBEKOHANE KASUTAMINE

Bensiinimootoriga hekilõikurit tohivad kasutada täiskasvanud, kes on lugenud läbi selles kasutusjuhendis olevad juhised ja hoiatused ning saavad neist aru, ja kes suudavad oma tegevuse eest vastutada.

See seade on ette nähtud kasutamiseks vaid väljaspool ruume, hästiventileeritud kohas. Ohutuse tagamise eesmärgil peab töötamise ajal hoidma tööriista kahe käega, et seda saaks piisavalt kontrollida.

Seade on ette nähtud kasutamiseks kodumajapidamises. See on mõeldud peenemate kui 28 mm tüvede ja okstega heki, põõsaste ning sarnaste taimede lõikamiseks ja kärpimiseks. Seda tuleb kasutada kuivas ja heades valgustustingimustes.

See EI OLE ette nähtud rohu, puude või jämedate okste lõikamiseks. Seda ei tohi kasutada muuks otstarbeks kui heki trimmimiseks.

⚠ HOIATUS

Tõsise kehavigastamise vältimiseks ärge üritage kasutada seadet enne, kui olete kasutusjuhendi põhjalikult läbi lugenud ja selle juhistest täielikult aru saanud. Hoidke kasutusjuhend alles ja lugege seda perioodiliselt, et tagada ohutu töötamine ning juhendada teisi, kes võivad seda tööriista kasutada.

Säilitage need juhendid.

OHUTUSE ÜLDEESKIRJAD

⚠ HOIATUS

Lugege kõik ohuhoiatused ja juhised läbi. Hoiatuste ja juhiste eiramisel on oht põhjustada tulekahju ja/või saada raskeid kehavigastusi. Hoidke kõik hoiatused ja juhised tulevikus vaatamiseks alles.

ETTEVALMISTUSTOIMINGUD

⚠ HOIATUS

Seade võib põhjustada raskeid kehavigastusi. Lugege läbi kõik juhised seadme õige käsitlemise, ettevalmistamise, hooldamise, käivitamise ja seiskamise kohta. Õppige tundma kõiki seadme juhtseadiseid ja kasutusnõudeid.

- Ärge lubage seadet kasutada lastel ega väljaõppeta isikutel.
- teadvustage endale elektrihüliinidest lähtuvat ohtu
- Hoidke kõik kõrvalseisjad, lapsed ja lemmikloomad vähemalt 15 meetri kaugusel. Ärge kasutage seadet, kui läheduses on teisi inimesi, eriti lapsi või lemmikloomi.
- Kandke tööks sobivat riietust. Ärge kandke laiu riideid ega ehteid; need võivad sattuda liikuvate osade vahele.

⚠ HOIATUS

Iga mootortööriista kasutamine võib põhjustada võõrobjektide lendumist teie silmadesse, mis omakorda võib põhjustada mitmeid kahjustusi silmale. Tööriistaga töötades kandke alati turvapille või külgkaitsega kaitseprille ning vajadusel näokaitset. Me soovitame prillide või küljekaitsetega kaitseprillide peal kasutada laia nägevusulatusega kaitsemaski.

- Ärge kasutage tööriista paljajalu ega kandke sandaale või teisi kergeid jalanõusid. Kandke mittelibiseva tallaga kaitsejalatseid, mis kaitsevad teie jalgu ja lihtsustavad libedal pinnasel liikumist.

⚠ HOIATUS

Olge kütuse käitlemisel eriti ettevaatlik. Bensiin on kergesti süttiv ning bensiiniaurud on mürgised ja plahvatusohtlikud.

- Kasutage ainult bensiinile ettenähtud kütuseanumaid.
- Lisage kütus enne mootori käivitamist. Ärge kunagi eemaldage kütusepaagi korki ega lisage kütust, kui mootor töötab või kui mootor on kuum.
- Ärge suitsetage.
- Lisage kütust alati vabas õhus. Ärge kunagi lisage kütust siseruumides või halva ventilatsiooniga kohas. Hoidke eemal süüteallikatest, sädemetest ja leekidest.
- Ärge kunagi hoistage täis kütusepaagiga tööriista ruumides, kus on süüteallikad nagu soojaveeboilerid ja kütteseadmed, riidekuivatid jms.
- Pühkige seadmelt liigne kütus. Enne mootori käivitamist minge tankimiskohast 9 m (30 jala) kaugusele.
- Pange kõik kütusepaagi ja mahutikorgid kindlalt tagasi.
- Kui kütusepaaki on vaja tühjendada, siis tehke seda väljaspool ruumi.
- Kui lõikemehhanism tabab mõnda võõrkeha või hakkab masin tegema ebatavalist heli või vibreerima, lülitage toiteallikas välja ja laske masinal seiskuda. Ühendage süüteküünlalt lahti süütejuhe ja tehke järgmised sammud.
 - kontrollige üle vigastuste suhtes
 - kontrollige, kas mõni osa on lahti, ja vahetage välja.Laske kõik vigastatud osad asendada või parandada osadega, millel on võrdväärsed tehnilised andmed.

⚠ HOIATUS

Seade teeb töötamise ajal müra. Te peate kasutama kõrvakaitsemeid, et vähendada pikaajalise kuulmiskahjustuse ohtu.

⚠ HOIATUS

Kandke toodet kasutades küljekaitsetega ohutusvõi kaitseprille. Selle eiramine võib tähendada, et võõrkehad võivad sattuda teile silma põhjustades võimalikku tõsist vigastust.



- Mootori peatamiseks avariilukkorras: Vajutage sisse/ välja lüliti välja-asendisse (O).

KASUTAMINE

- Iga kord peatage mootor, eemaldage süüteküünlalt kork, laske mootoril jahtuda ja veenduge, et kõik liikuvad osad on täielikult peatunud, enne kui:
 - Tankimine
 - tööasendi või tagumise käepideme asendi reguleerimist
 - toote jätmisel järelvalveta
 - toote puhastamine
 - tarvikute vahetamist
 - blokeeringute puhastamiseks
 - kõikide vigastuste ülekontrollimine pärast lööki mõne eseme vastu
 - kõikide vigastuste ülekontrollimine kui toode hakkab ebanormaalselt vibreerima
 - hooldustööde tegemine
- Käivitage mootor ainult siis, kui hekilõikur on ohutus tööasendis. Tootja soovitat asetada tööriist enne mootori käivitamist maapinnale, kus lõiketerad ei puutu millegagi kokku.
- Hekilõikuriga töötades ärge end küünitage ega seiske ebakindlal alusel. Hoidke end pidevalt jalgadel ja tasakaalus. Tootja ei soovita kasutada treppe ja redeleid. Kui on vaja trimmida kõrgelt, kasutage pikendatud tööulatusega seadet.
- Ärge kasutage masinat, kui selle lõikeseade on vigastatud või väga kulunud.
- Tuleohu vähendamiseks hoidke mootor ja summuti vaba prahist, lehtedest ja määrdejääkidest.
- Seadme kasutamisel tagage alati, et kõik käepidemed ja kaitsekatted on oma kohtadel. Ärge kunagi proovige kasutada puudulikku või lubamatult muudetud toodet.
- Kui seadmel on kaks käepidet, hoidke töötamise ajal mõlemast kinni.
- Tutvuge oma ümbruskonnaga ja olge tähelepanelik võimalike ohtude suhtes, mis võivad mootorimüra tõttu tähelepanuta jääda.

TÄIENDAVAD HOIATUSED

- Ärge käivitage mootorit suletud ruumis, kus ohtlikud lõhugaasid võivad koguneda. Süsinikoksiid on värvitu, lõhnatu ja äärmiselt ohtlik gaas, mis võib põhjustada teadvuse kadu või surma.
- Ärge kasutage seadet väsinuna või haigena ega siis, kui olete uimaste, alkoholi või ravimite mõju all.
- Enne seadme kasutamise alustamist veenduge, et kõik juht- ja ohutusseadised töötavad nõuetekohaselt. Kui mootor nupule OFF vajutamisel välja ei lülitu, ärge seadet kasutage. Laske rikkis lülitid asendada volitatud teeninduskeskuses.
- Kontrollige seade iga kord enne kasutamist üle. Kontrollige kinnitite lõtvumise, kütuselekete jne suhtes. Ärge kasutage tööriista, kui kütust lekitab või käepidemed ja kaitsed ei ole korralikult paigaldatud.
- Kinnitage pikad juuksed õlgadest kõrgemale, et vältida nende takerdumist liikuvate osade vahele.

- Ärge kasutage seadet halva valgustatuse korral. Töötajal peab tööpiirkonnale olema selge väljavaade, et tuvastada võimalikud ohud.
- Enne töö alustamist tuleb tööpiirkond alati korrastada. Eemaldage kõik võõrkehaded (nt postid, juhtmed, nõõrid), mis võivad kahjustada liikuvaid osi ja lõikevahendeid või nende külge kinni jääda.
- Kontrollige lõigatavat hekki pidevalt, et selle taga või selle sees ei ole inimesi või loomi. Mitme sarnase seadme töötamisel samas piirkonnas suurendab kuulmiskahjustuse riski töötajal ja inimestel, kes tööpiirkonda sisenevad.
- Kontrollige kõiki mutreid, polte ja kruvisid sagedaste intervallidega õige pinguloleku suhtes, et veenduda toote ohutus töökorras olemises. Vigastatud osad tuleb lasta pädeval hooldajal parandada või asendada.

⚠ HOIATUS

Kui gaasipäästik on vabastatud ja mootor töötab tühikäigul, tuleb lõikeorgan või tera eemaldada. Kui see jääb liikuma, on oht, et operaator võib kehavigastusi saada. Ärge seadet kasutage. Andke seade hoolduskeskusesse, kus seda pädevalt hooldatakse.

- Ärge puudutage summutit või mootorit, sest töötamise ajal need osad kuumenevad.
- Ärge muutke toodet mitte mingil viisil.
- Ärge suruge trimmerit läbi tiheda põõsastiku. See võib põhjustada terade kinnijäämise ja töökiiruse languse. Kui töökiirus langeb, siis alandage käiku.
- Ärge püüdke lõigata võsuid või võrseid, mille läbimõõt on üle 28 mm või mis ilmselt ei mahu lõiketerade vahele. Suurte varte piiramiseks kasutage käsisaagi või mootoriga oksasaagi.
- Tulekahjude riski vähendamiseks tagage, et töötav või kuum mootor ja summuti on süttivatest materjalidest eemal.

TRANSPORTIMINE JA HOIUSTAMINE

- Enne hoiale paneku või teisaldamise alustamist seisake mootor.
- Puhastage seade kõikidest võõrkehadest.
- Pange lõiketerale kaitsekate.
- Kallake kogu kütus paagist kütusemahutisse. Ärge unustage kütusekorki korralikult tagasi panna ja kinnitada.
- Laske mootoril töötada kuni peatumiseni. See eemaldab kütusepaagist kogu kütuse, mis midu võib vanaks minna ning jätta küttesüsteemi vaiku jms.
- Hoiustage tööriista jahedas, soojas ja hea ventilatsiooniga kohas, mis ei ole lastele juurdepääsetav, ning süüteallikatest eemal.
- Hoidke kettsaagi eemal söövitavatest ainetest nagu aiakemikaalid ja jäätõrjevahendid.
- Ärge hoiustage õues.
- Vedamise ajal tõkestage kultivaator liikuma hakkamise ja alla kukkumise vastu, et vältida kehavigastusi ja masinaosade kahjustamist.



- Ärge kandke või teiseid saagi sel ajal, kui see töötab.
- Järgige kõiki riiklikke ja kohalikke eeskirju kütuse turvalisel säilitamisel ja käsitsemisel.

Lühiajaline hoiustamine (vähem kui 1 kuu)

- Enne hoiustamist peatage mootor ja laske maha jahtuda.
- Pange lõiketerale kaitsekate.
- Hoiustage tööriista jahedas, soojas ja hea ventilatsiooniga kohas, mis ei ole lastele juurdepääsetav, ning süüteallikatest eemal.
- Hoidke kettsaagi eemal söövitavatest ainetest nagu aiakemikaalid ja jäätõrjevahendid.
- Ärge hoiustage õues.

HOOLDUS

⚠ HOIATUS

Hooldamine nõuab ülimalt korraldusi ja teadmisi ning tuleks teostada ainult kvalifitseeritud hooldustehnikute poolt. Hoolduseks soovitame me viia toote remontimiseks lähimasse või lit atud teenind uskesse. Kui hooldate, kasutage ainult identseid varuosi.

⚠ HOIATUS

Lõiketerad on teravad. Terade käitlemisel kandke libisemiskindlaid, tugevdatud kaitsekindaid. Ärge pange oma kätt või sõrmi terade vahele või sellisesse asendisse, kus need võivad pitsituda või sisselõikeid saada. Ärge kunagi puudutage lõiketera või hooldage tööriista, kui süüteküünlaku juhe on ühendatud.

⚠ HOIATUS

Ärge laske plastosadel mitte mingil juhul sattuda kokkupuutesse auto pidurivedeliku, bensiini, bensiinipõhiste toodete, immutusõlidega või muude samalaadsete vedelikega. Kemikaalid võivad plaste rikkuda, nõrgendada või neile hävitavalt mõjuda, mis võib põhjustada raske kehavigastuse.

⚠ HOIATUS

Ärge üritage seda seadet ümber ehitada ega luua lisaseadmeid, mida pole soovitatud selle tootega koos kasutada. Iga selline muutmise või ümberehitus on väärtkasutamine ja võib põhjustada ohtliku olukorra ja viia võimaliku tõsise vigastuseni.

- Lubatud on teha ainult selles kasutusjuhendis kirjeldatud reguleerimis- ja parandustoiminguid. Muude remonditööde tegemiseks võtke ühendust volitatud hooldajaga.
- Ebapiisava hoolduse tagajärjel võib koguneda liigselt põlemisjääke ja sellega langeb tootlus ja summutist hakkab välja voolama musta õlijääki.
- Pärast iga kasutuskorda pühkige seadme korpus ja käepidemed pehme kuiva lapiga puhtaks.

- Pärast iga kasutuskorda pühkige praht teradelt ära tugeva harjaga ja kandke seejärel neile roostetõrjemääret, enne kui tera kaitse uuesti kohale panete. Tootja soovib kasutada roostekaitsevahendit ja määrada tera ühtlase aerosoolvahendi kihiga, et alandada riski töötajatele kokkupuutel lõiketeradega. Teavet sellise aerosoolvahendi kohta saate oma kohaliku hoolduskeskusest
- Võite soovi korral sellel viisil määrada lõiketerasid kergelt enne kasutamist.
- Kontrollige kõiki mutreid, polte ja kruvisid sagedaste intervallidega õige pinguloleku suhtes, et veenduda toote ohutus töökorras olemises. Vigastatud osad tuleb lasta pädeval hooldajal parandada või asendada.

LÕIKETERADE PAIGALDAMINE

- Kontrollige perioodiliselt lõiketerade vigastumist ja kulumist. Kui lõiketerad on vigastatud, peab need laskma korralikult parandada või asendada volitatud hooldustöökogas.

UMMISTUSE KÕRVALDAMINE

- Peatage mootor ja oodake, kuni kõik liikuvad osad peatuvad.
- Ühendage süüteküünlaku juhe lahti.
- Lõiketerad on teravad. Lõiketera läheduses töötades kandke kaitsekindaid.
- Eemaldage hoolikalt lõiketera ja teiste liikuvate osade ümber olev ummistus või praht.

JÄÄKRISKID

Isegi siis, kui kultivaatorit kasutatakse kirjeldatud viisil, ei ole võimalik kõrvaldada kõiki jääkriskide mõjureid. Töötamise ajal võivad tekkida järgmised ohud, millele operaator peab pöörama erilist tähelepanu.

- Lõikeorganitega kokkupuutesse sattumisest põhjustatud kehavigastus
 - Kontrollige, et lõiketeral on kaitsekate peal, kui toodet ei kasutata. Hoidke käed ja jalad lõiketeradest kogu aeg eemal.
- Vibratsioonist põhjustatud kehavigastus.
 - Kasutage töötamiseks õiget seadet, kasutage ettenähtud käepidemed, piirake tööaega ja kokkupuudet vibratsiooniga. Vt kasutusjuhendi osa "Ohu vähendamine".
- Müraga kokkupuutumine võib kuulmist kahjustada.
 - Kandke kuulmiskaitsevahendeid ja piirake müraga kokkupuudet.
- Silmade vigastamise oht lendavast prahist.
 - Kandke alati silmakaitsevahendeid.
- Kukkuvate esemete poolt põhjustatud vigastus.
 - Töötamisel kohtades, kus on allakukkuvate esemete oht, tuleb kanda kiivrit.

RISKI ALANDAMINE

Teadaolevalt võib käsitööriistade kasutamine põhjustada mõnedel inimestel seisundit, mida nimetatakse Raynaud' sündroomiks. Sümptomidena võib ilmneda sõrmede tuimus ja valkjaks muutumine, mis tavaliselt ilmneb külmas

töötamisel. Nende sümptomite puhul tuleb hoiduda külmast ja niiskusest, dieedist ning suitsetamisest ja kasutada õigeid töövõtteid. Vibratsiooni mõju vähendamiseks tuleb rakendada järgmisi abinõusid.

- Külma ilmaga hoidke oma keha soe. Kandke kindaid, et hoida oma käed ja randmed soojad. Uuringud näitavad, et Raynaud's Syndrome ilmneb põhiliselt külma ilmaga.
- Pärast külmas töötamist tehke harjutusi, et verevarustust kiirendada.
- Tehke regulaarselt töövaheaegasi. Piirake tööperioodi pikkust.

Kui ilmnevad haigustunnused, lõpetage kohe töö ja pöörduge arsti poole.

⚠ HOIATUS

Seadme pikaajalisel kasutamisel võite saada kehavigastusi ja varasemad vigastused võivad süveneda. Seadme kasutamisel pika aja jooksul tuleb teha korralisi vaheaegasi.

ÕPPIGE OMA TOODET TUNDMA

Vt leht 191.

1. Õhuklapi liugur
2. Süütekapsel
3. Kaitse
4. Eesmine käepide
5. Süüteküünla kübar
6. Starteri käepide
7. Saeleht
8. Õhufiltri kaas
9. Õhufiltri katte nupp
10. Kütusepaagi kork
11. Pöörleva käepideme lukustuslülit
12. Päästik
13. Pööratav tagakäepide
14. Turvalülit
15. „Sisse/välja“-lülit
16. Tupp

MASINAL OLEVAD SÜMBOLID



Ohutusalane teave



Vigastusohu vähendamiseks peab kasutaja enne seadme kasutamist kasutusjuhendi läbi lugema ja endale selgeks tegema.



Kandke kuulmiskaitsevahendeid



Kandke silmakaitsevahendeid



Kasutamise ajal hoidke hekitrimmerit alati kahe käega.



Kandke libisemiskindlaid, tugevdatud kaitsekindlaid.



Ärge puudutage lõiketera, et mitte rasket vigastust saada.



Hoiduge ülespaisatud ja lendavate esemete eest. Hoidke kõik kõrvalseisjad, eriti lapsed ja lemmikloomad tööalalt vähemalt 15 meetri kaugusele.



Kasutage pliivaba mootorsõidukite bensiini oktaanarvuga 91 ([R+M]/2) või enam.



Kasutage üksnes sünteetilist kahetaktilise õhkjahutusega mootori õli.



Enne kütuse lisamist segage kütus ja 2-taktilistele mootoritele lubatud õli korralikult läbi.



Kehavigastuse ja põletuse ohu vältimiseks vältige kokkupuudet kuumaga pinnaga.



Suruge etteandekupliile 10 korda.



Seadke õhuklapi hoob asendisse "SULETUD".



Seadke õhuklapi hoob asendisse "POOL".



Seadke õhuklapi hoob asendisse "TÖÖ".



Laske mootoril töötada 10 sekundit.



Tõmmake starteri käepidemest kuni mootor käivitub.



Mootori käivitamine külmalt



Sooja mootori käivitamine



Pöörleva käepideme keeramiseks tõmmake käepideme lukustuslülitist. Keerake käepidet paremale või vasakule ning vabastage käepideme lukustuslülit. Keerake käepidet niikaua, kuni see lukustub kas 45° või 90° asendisse.



Vajutage pääsiku lukustile ega gaasipäästikule.



Seadke lülitati asendisse "I" enne, kui proovite seadet käivitada.



Vastab kõigile eeskirjadele EL-i liikmesriigis, kus toode on ostetud.



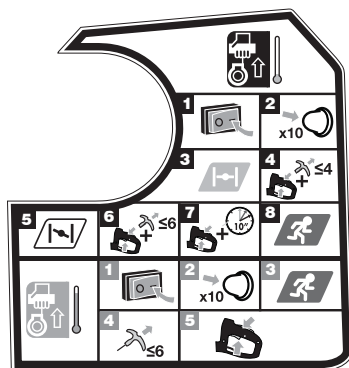
Euraasia vastavusmärk



Ukraina vastavusmargis



Garanteeritud helivõimsuse tase on 105 dB



MÄRKUS. Pange trimmer tasasele pinnale ja veenduge, et läheduses ei ole mingeid esemeid või takistusi, mis võivad teradega kokku puutuda.

Külma mootori käivitamine.

1. Pange sisse/välja lülitit asendisse "I".
2. Suruge etteandekuplile 10 korda.
MÄRKUS. Pärast 7-ndat vajutust peab kütust eeltäite-kuplis näha olema. Kui kütust näha ei ole, siis jätkake vajutamist kuni seda on näha.
3. Seadke õhuklapi hoob asendisse **I-II**.
4. Vajutage pääsiku lukustile ega gaasipäästikule. Tõmmake starterinööri seni, kui mootor käivitub. Ärge tõmmake käivitamisel käivituskäepidet rohkem kui 4 korda järjest.
5. Seadke õhuklapi hoob asendisse **II**.
6. Vajutage pääsiku lukustile ega gaasipäästikule. Tõmmake starteri käepidemest kuni mootor käivitub. Ärge tõmmake käivitamisel käivituskäepidet rohkem kui 6 korda järjest.
7. Vajutage pääsiku lukustile ega gaasipäästikule. Laske mootoril töötada 10 sekundit.
8. Seadke õhuklapi hoob asendisse **III**.

Sooja mootori käivitamine.

1. Pange sisse/välja lülitit asendisse "I".
2. Suruge etteandekuplile 10 korda.
MÄRKUS. Pärast 7-ndat vajutust peab kütust eeltäite-kuplis näha olema. Kui kütust näha ei ole, siis jätkake vajutamist kuni seda on näha.
3. Seadke õhuklapi hoob asendisse **II**.
4. Vasaku käega hoidke tugevasti pöörlevast käepidemest, vajutage gaasihooba ja gaasihooba lukustusnuppu. Tõmmake starteri käepidemest kuni mootor käivitub. Ärge tõmmake käivitamisel käivituskäepidet rohkem kui 6 korda järjest.
5. Vajutage pääsiku lukustile ega gaasipäästikule.

KASUTUSJUHENDI SÜMBOLID



Eraldi ostetavad osad või tarvikud



Märkus



Hoiatus



Kütuse segamise või tankimise ajal ärge suitsetage.



Tulekahju oht.



Toote peatamiseks vajutage ja hoidke I/O lülitit asendis "O" (väljas).

Järgnevad märguandesõnad ja tähendused on mõeldud selle toote kasutamise seotud riskitasemetega kirjeldamiseks.

⚠ OHT.

Viitab kohe tekkivale ohtlikule situatsioonile, mis, kui ei väldita, lõpeb surma või tõsise vigastusega.

⚠ HOIATUS

Viitab võimalikule ohtlikule situatsioonile, mis, kui ei väldita, võib lõppeda surma või tõsise vigastusega.

⚠ ETTEVAATUST

Viitab võimalikule ohtlikule situatsioonile, mis, kui ei väldita, võib lõppeda väiksemate või keskmiste vigastusega.

ETTEVAATUST

Ilma hoiatussümbolita

Osutab olukorrale, mis võib põhjustada varakahju.



HOOLDUSPLAAN					
	Enne igat kasutuskorda	kuu või 20 töötundi järel	Iga 3 kuu või 50 töötundi järel	Iga 6 kuu või 100 töötundi järel	Igal aastal või 300 töötundi järel
Kontrollige mootoriõli	■				
Vahetage mootoriõli		■		■	
Kontrollige õhufiltrit	■				
Puhastage õhufilter.			■		
Vahetage õhufilter välja					■
Kontrollige/reguleerige süüteküünalt				■	
Kütusfiltrit asendamine					■
Kontrollige/reguleerige tühikäiku					■
Puhastage sädemekaitse.			■		
Vajaduse korral asendage uue sädemepüüduriga.					■
Check or adjust valve clearance ¹					■
Clean fuel tank and filter ¹				■	
Kontrollige kütusevoolikut	■				
Kontrollige kütusefiltrit	■				
Kütusfiltrit asendamine					■
Kontrollige kõiki voolikuühendusi	■				
Kontrollige kütusepaagi auruva (kui on)	■				
Kontrollige süsinikupaaki (ainult karburaatoriga mudelitel)	■				

1. Neid töid võib teostada ainult volitatud teenindustöökoda.

MÄRKUSED:

- Kui toodet kasutatakse tolmuses keskkonnas, peab hooldust teostama tihedamini.
- Kui toode on ületanud tabelis toodud maksimaalsed näitajad, peab hooldus toimuma ikkagi vastavalt siin näidatud intervallidele (kas perioodide või tundide järgi).

RIKKEOTSING

Probleem	Võimalik põhjus	Lahendus
Mootor ei käivitu.	Süüde puudub.	Kontrollige sädet. Eemaldage süüteküünal. Pange süüteküünla kork tagasi ja asetage süüteküünal metallsilindrisse. Tõmmake starteri käepidemist ja jälgige süüteküünla sädet. Kui sädet ei ole, korrake uue süüteküünlaga.
	Kütust ei ole	Vajutage bensiinipumba nuppu, kuni see täitub. Kui bensiinipumba nupp ei täitu, on küttesüsteem ummistunud. Pöörduge teenindaja poole. Kui bensiinipumba nupp täitub, võib mootor olla üleujutatud - vt järgmist punkti.
	Mootor on üle ujutatud.	Tõmmake starteri käepidemist 3 korda, kui õhuklapi hoob on asendis  . Kui mootor ei käivitu, seadke õhuklapi hoob asendisse  ja korrake tavapäraselt käivitamist. Kui mootor ikka ei käivitu, korrake protseduuri uue süüteküünlaga.
	Starteri trossi on raske tõmmata.	Pöörduge teenindaja poole.
Mootor käivitub, kuid ei võta pöördeid üles.	Mootori soojenemiseks kulub umbes kolm minutit.	Laske mootoril korralikult soojaks minna. Kui mootor ei võta pöördeid üles kolme minuti jooksul, võtke ühendust hooldusfirmaga.
Mootor käivitub, kuid töötab täispöoretel ainult siis, kui õhuklapp on osaliselt kinni.	Karburaator vajab reguleerimist.	Pöörduge teenindaja poole.
Mootor ei jõua täispöoreteni ja/või suitseb.	Vale määarde/kütuse segu.	Kasutage värsket kütust ja õiget sünteetilist kahetaktilist õlisegu.
	Õhufilter on puhastamata.	Puhastage õhufilter. Vaadake selle kasutusjuhendi Hoolduse osa peatükki Õhufiltri puhastamine.
	Sädemekaitse on puhastamata.	Pöörduge teenindaja poole.
Mootor käivitub ja kiirendab, kuid ei tööta tühikäigul.	Karburaatori tühikäigu kruvi vajab reguleerimist.	Pöörduge teenindaja poole.

Dizajn Vašeg benzinskog trimera za živicu počiva na prioritetima sigurnosti, visokih performansi i pouzdanosti.

NAMJENA

Benzinski trimer za živicu smiju koristiti isključivo punoljetne osobe koje su pročitale i razumjele upute i upozorenja u ovom priručniku i koje se mogu smatrati odgovornima za svoje postupke.

Ovaj uređaj namijenjen je samo za korištenje na otvorenom u dobro prozračenom prostoru. Iz sigurnosnih razloga proizvod za vrijeme rukovanja uvijek držite pod kontrolom držeći ga s obje ruke.

Ovaj proizvod namijenjen je za kućnu ili upotrebu u domaćinstvu. Namijenjen je rezanju i obrezivanju živice, grmlja i slične vegetacije čije su stabljike tanje od 28 mm. Treba se koristiti samo u suhim, dobro osvijetljenim uvjetima.

NIJE namijenjen za rezanje trave, drveća ili grana. Ne smije se koristiti za nikakvu drugu svrhu osim za obrazivanje ograde.

⚠ UPOZORENJE

Za izbjegavanje ozbiljnih osobnih ozljeda ne pokušavajte koristiti proizvod sve dok temeljito ne pročitate i potpuno ne shvatite upute za uporabu. Spremite ove upute za uporabu i povremeno ih pregledajte radi nastavka sigurnog rada i uputa drugima koji mogu koristiti ovaj proizvod.

Sačuvajte ovo upute.

OPĆA SIGURNOSNA PRAVILA

⚠ UPOZORENJE

Pročitajte sva sigurnosna upozorenja i sve upute. Nepriдрžavanje upozorenja i uputa može izazvati požar i/ili ozbiljne ozljede. Sačuvajte ova upozorenja i upute kako biste ih naknadno mogli konzultirati.

PRIPREMA

⚠ UPOZORENJE

Ovaj uređaj može dovesti do ozbiljnih ozljeda. Pažljivo pročitajte upute za pravilno rukovanje, pripremu, održavanje, pokretanje i zaustavljanje uređaja. Upoznajte se sa svim upravljačkim elementima i pravilnim korištenjem proizvoda.

- Nemojte dopustiti djeci ili nestručnim osobama da koriste ovaj proizvod.
- Pazite na opasnosti od pregrijavanja električnih vodova
- Držite sve promatrače, djecu i kućne ljubimce na udaljenosti od najmanje 15 m. Nikada ne radite s uređajem dok su u blizini ljudi, osobito djeca ili kućni ljubimci.
- Pravilno se odjenite. Ne nosite viseću odjeću ili nakit; mogu ih uhvatiti pokretni dijelovi.

⚠ UPOZORENJE

Rukovanje bilo kojom alatkom s ugrađenim motorom može imati za posljedicu da odbaci strani predmet u oko, što može izazvati ozbiljno oštećenje oka. Prije rukovanja proizvodom uvijek stavite zaštitne naočale ili sigurnosne naočale s bočnim štitnicima te, kada je to potrebno, štitnik za cijelo lice. Mi preporučamo Wide Vision Safety Mask masku za korištenje preko naočala ili standardne zaštitne naočale s bočnim štitnicima.

- Nemojte rukovati opremom bosonogi ili u sandalama ili u sličnoj lakoj obući. Nosite protukliznu zaštitnu obuću koja će zaštititi vaše noge i povećati sigurnost pri radu na klizavim površinama.

⚠ UPOZORENJE

Obratite posebnu pozornost kod rukovanja gorivom. Benzin je zapaljiv, a njegove pare su otrovne i eksplozivne.

- Koristite isključivo kamistere za gorivo namijenjene i odobrene za uporabu s benzinom.
- Prije pokretanja motora dolijte gorivo. Nikada nemojte skidati poklopac sa spremnika goriva ili dodavati gorivo dok motor radi ili dok je vruć.
- Nemojte pušiti.
- Gorivo uvijek dolijevajte na otvorenom prostoru. Nikada nemojte dolijevati gorivo u zatvorenom ili loše ventiliranom prostoru. Držite dalje od svih zapaljivih izvora, iskri i plamena.
- Nikada nemojte odlagati i spremati proizvod s punim spremnikom goriva u zgradi s prisutnim izvorima topline, kao što su vruća voda i grijači prostora, sušila odjeće i slično.
- Obrisite alat ako ste proliili gorivo. Pomaknite se 9 m (30 stopa) dalje od mjesta punjenja prije pokretanja motora.
- Vratite i dobro zategnite sve čepove svih spremnika za gorivo.
- Ako spremnik za gorivo treba prazniti, uradite to na otvorenom.
- Ako rezni mehanizam udari u bilo kakve strane predmete ili ako uređaj počne raditi neuobičajenu buku ili vibracije, isključite napajanje i omogućite uređaju da se zaustavi. Odspojite žicu svjeće iz utičnice za svjećicu i poduzmite sljedeće korake:
 - provjerite ima li oštećenja
 - Provjerite na olabavljene dijelove i zamijenite ih.Promijenite ili popravite sve oštećene dijelove s dijelovima jednakih specifikacija.

⚠ UPOZORENJE

Ovaj uređaj je vrlo bučan pri radu. Kako biste smanjili rizik od oštećenja sluha, obavezno nosite štitive za uši.

⚠ UPOZORENJE

Dok upotrebljavate uređaj uvijek nosite sigurnosne naočale ili zaštitne naočale opremljene bočnim štيتnicima. Nepoštivanje ovog upozorenja može dovesti do prskanja stranih tijela u vaše oči i prouzročiti teške ozljede oka.

- Za zaustavljanje motora u hitnim situacijama: Pritisnite prekidač za paljenje/gašenje kako biste ga prebacili u isključeni položaj (O).

UPORABA

- Uvijek zaustavite motor, odspojite kapicu svjećeice od svjećeice, pustite da se motor ohladi te provjerite jesu li svi pokretni dijelovi zaustavljeni prije:
 - Punjenje spremnika
 - podešavanja radnog položaja ili položaja stražnje ručke
 - ostavljanje proizvoda bez nadzora
 - čistite svoj proizvod
 - izmjene priključaka
 - čišćenja blokada
 - provjerite za bilo kakvo oštećenje nakon odbacivanja predmeta
 - provjerite za bilo kakvo oštećenje ako proizvod počne abnormalno vibrirati
 - izvođenje održavanja
- Motor pokrenite samo ako je trimer za živicu u sigurnom radnom položaju. Proizvođač preporučuje da se proizvod položi na zemlju u takav položaj da noževi ne dolaze u kontakt s predmetima sve dok ne pokrenete motor.
- Prilikom rada s trimenom za živicu izbjegavajte situacije u kojima možete izgubiti ravnotežu ili stajanje na nestabilnim osloncima. Cijelo vrijeme držite pravilno uporište i ravnotežu. Proizvođač ne preporučuje korištenje stepenica ili ljestvi. Ako je potrebno rezanje na višoj razini, koristite produžetke za alat.
- Nemojte raditi s uređajem s oštećenim ili istrošenim reznim uređajem.
- Za smanjenje opasnosti od požara držite motor i prigušnik čistim od ostataka, lišća ili previše sredstava za podmazivanje.
- Uvijek osigurajte da su sve ručke i štيتnici pravilno učvršćeni prilikom korištenja uređaja. Nikada nemojte pokušavati koristiti nepotpuni proizvod ili proizvod s neovlaštenim modifikacijama.
- Uvijek koristite dvije ruke prilikom rada s uređajem koji ima dvije ručke.
- Upoznajte se sa okruženjem i pazite na moguće opasnosti koje može niste primijetili radi buke uređaja.

DODATNO UPOZORENJE

- Ne radite strojem u zatvorenom prostoru gdje se mogu nakupiti opasne pare ugljičnog monoksida. Ugljični monoksid je iznimno opasan plin bez boje i mirisa koji može uzrokovati gubitak svijesti ili smrt.
- Nemojte raditi s ovim proizvodom kada ste umorni ili

pod utjecajem alkohola, droge ili lijekova.

- Osigurajte prije svakog korištenja da svi upravljački elementi i sigurnosni uređaji pravilno funkcioniraju. Ne koristite proizvod ako sklopka „isključeno“ ne zaustavlja motor. Sklopku u kvaru zamijenite u ovlaštenom servisnom centru.
- Prije korištenja provjerite uređaj. Provjerite za olabavljene zatezače, istjecanje goriva itd. Nemojte rukovati proizvodom ako iz njega curi gorivo i ako štيتnici nisu sigurno pričvršćeni i potpuno funkcionalni.
- Osigurajte dugu kosu na način da je iznad razine ramena kako biste spriječili zahvaćanje u pokretne dijelove.
- Nemojte raditi u slabom osvjetljenju. Operateru treba jasan pogled radnog područja kako bi identificirao potencijalne opasnosti.
- Prije svakog korištenja očistite radno područje. Uklonite iz radnog područja sve strane objekte kao što su primjerice stupići, žica ili struna, koji mogu oštetiti ili se zapetljati u pokretne dijelove alata za rezanje.
- Provjeravajte za osobe i životnje iza ili unutar svake živice ili grma koji namjeravate obrezivati. Rad u blizini sličnim alatom dovodi do opasnosti povreda sluha i mogućim ulaskom drugih osoba u radno područje.
- Često provjeravajte sve matice i zavrtnje da li su dobro pritegnuti kako biste bili sigurni da je proizvod u sigurnom radnom stanju. Svaki oštećeni dio trebao bi pravilno popraviti ili zamijeniti ovlašteni servisni centar.

⚠ UPOZORENJE

Kada je sklopka gasa otpuštena i motor je pokrenut u praznom hodu, rezni priključak ili oštrica se ne smije pomicati. Ako se nastavi pokretati može doći do ozbiljnih ozljeda operatera. Nemojte koristiti uređaj. Vratite ga ovlaštenom servisnom centru za stručno podešavanje.

- Nemojte dodirivati područje oko prigušnika i motora jedinice, ovi dijelovi postaju vrući tijekom rada.
- Nemojte na nikakav način modificirati ovaj proizvod.
- Nemojte siliti trimer za ogradu kroz teško žbunje. Ovo može uzrokovati tromost oštrica i usporavanje. Ako oštrice uspore smanjite brzinu hoda.
- Nemojte pokušati rezati stabiljke ili grane koje su veće debljine od 28 mm ili onih koji su očito preveliki da uđu u oštrice za rezanje. Koristite ručnu pilu ili pilu za sječenja za trimanje velikih stabiljki.
- Stroj koji radi i vrući motor i prigušivač obavezno držite dalje od zapaljivih materijala kako biste smanjili rizik od požara.

PRIJEVOZ I SKLADIŠTENJE

- Zaustavite uređaj i omogućite mu da se ohladi prije skladištenja ili prijevoza.
- Očistite svaki strani materijal s uređaja.
- Prekrijte nož njegovim štيتnikom (koricama).
- Naspite svo preostalo gorivo u spremniku u kanticu posebno namijenjenu za držanje benzina. Nemojte zaboraviti propisno zamijeniti i zategnuti kapicu goriva.



- Pustite motor da se okreće dok se sam ne zaustavi. Time će se ukloniti svo gorivo koje bi moglo postati ustajalo, a u sustavu goriva moglo bi ostati i laka i gume.
 - Proizvod pohranite na hladnom, suhom i dobro prozračivanom mjestu, tako da je nedostupan za djecu i daleko od izvora topline.
 - Nemojte ju ostavljati u blizini korozivnih agenasa kao ni vrtnih kemijskih proizvoda i soli za odmrzavanje.
 - Ne ostavljajte na otvorenom.
 - Za prijevoz, osigurajte uređaj protiv pomicanja ili pada kako biste spriječili povrede osoba ili oštećenja na uređaju.
 - Nikada nemojte nositi ili transportirati proizvod dok je pokrenut.
 - Poštujte nacionalne i lokalne propise koji se odnose na odlaganje i rukovanje gorivom.
- Kratkotrajna pohrana (kraće od 1 mjesec)**
- Zaustavite motor i pustite da se ohladi prije uskladištenja.
 - Prekrijite nož njegovim štitnikom (koricama).
 - Proizvod pohranite na hladnom, suhom i dobro prozračivanom mjestu, tako da je nedostupan za djecu i daleko od izvora topline.
 - Nemojte ju ostavljati u blizini korozivnih agenasa kao ni vrtnih kemijskih proizvoda i soli za odmrzavanje.
 - Ne ostavljajte na otvorenom.

ODRŽAVANJE

⚠ UPOZORENJE

Servisiranje iziskuje krajnju pažnju i znanje i treba da ga vrši samo kvalificirani serviser. Za servisiranje mi vam preporučamo da odnesete proizvod u najbliži ovlašteni servisni centar radi opravke. Prilikom servisiranja koristiti identične zamjenske dijelove.

⚠ UPOZORENJE

Noževi su oštri. Kada rukujete sa sklopom noža, nosite zaštitne rukavice velike debljine koje se ne kliču. Ne stavljate ruku ili prste između noževa ili u neku poziciju gdje mogu biti prignječeni ili odrezani. Nikada nemojte dodirivati noževe ili obavljati servisne radove na proizvodu dok je spojena žica svjećice.

⚠ UPOZORENJE

Nikada ne dopustite kontakt plastičnih dijelova s tekućinom za kočnice, benzinom, proizvodima na bazi petroleja, sredstvima za odmašćivanje, idr. Kemikalije mogu oštetiti, oslabiti ili uništiti plastiku što može dovesti do ozbiljnih osobnih ozljeda.

⚠ UPOZORENJE

Ne pokušavajte mijenjati ovaj proizvod niti izabrati pribor koji se ne preporuča za uporabu s ovim proizvodom. Svaka takva izmjena ili preinaka je pogrešno korištenje i može imati za posljedicu ozbiljne osobne povrede.

- Možete izvršiti podešavanja i popravke koji su opisani u ovom priručniku. Za druge popravke, obratite se ovlaštenom servisnom agentu.
- Posljedice nepravilnog održavanja uključuju višak ugljičnih naslaga koji dovodi do gubitka učinkovitosti i pražnjenje crnih uljnih ostataka kapanjem iz prigušnika.
- Nakon svakog korištenja, očistite kućište sa suhom mekom krpom.
- Nakon svakog korištenja, očistite ostatke s oštrica sa čvrstom četkom i potom pažljivo primijenite sredstvo protiv hrđe prije ponovnog postavljanja štitnika oštrice. Proizvođač preporučuje da koristite sprej protiv hrđe i sredstvo za podmazivanje ravnomjerno i smanjite opasnost od osobnih ozljeda od kontakata s oštricama. Za informacije o prikladnim proizvodima kao sprej, provjerite kod lokalnog ovlaštenog servisnog centra.
- Možda budete željeli podmazati oštrice prije korištenja, po potrebi, korištenjem gornjeg načina.
- Često provjeravajte sve matice i zavrtnje da li su dobro pritegnuti kako biste bili sigurni da je proizvod u sigurnom radnom stanju. Svaki oštećeni dio trebao bi pravilno popraviti ili zamijeniti ovlašteni servisni centar.

ZAMJENA NOŽEVA

- Povremeno provjerite oštrice na oštećenja i istrošenost. Oštećene noževe smije na propisan način popraviti ili zamijeniti isključivo ovlašteni servisni centar.

ČIŠĆENJE BLOKADA

- Zaustavite motor i pričekajte da se zaustave svi pokretni dijelovi.
- Odspojite kabel svjećice.
- Noževi su oštri. Pri radu s noževima i oko njih nosite debele zaštitne rukavice.
- Pažljivo očistite blokirajući materijal ili ostatke oko noževa ili drugih pokretnih dijelova.

OSTALE OPASNOSTI

Čak i kad je proizvod korišten kao što je prethodno opisano, još uvijek nije moguće potpuno isključiti ostale čimbenike opasnosti. Može doći do sljedećih opasnosti prilikom korištenja i operater mora obratiti posebnu pozornost kako bi izbjegao sljedeće:

- Ozljede uzrokovane kontaktom s oštricama
 - Provjerite jesu li štitnici noža pričvršćeni kada proizvod nije u uporabi. Držite ruke i stopala dalje od oštrice cijelo vrijeme.
- Ozljede uzrokovane vibracijom.
 - Uvijek koristite pravi alat za posao, koristite označenu kopču i ograničite radno vrijeme i izloženost. Pogledajte poglavlje "Smanjenje rizika" u ovom priručniku.
- Oštećenje sluha uzrokovano izlaganjem buci.
 - Nosite zaštitu za sluh i ograničite izloženost.
- Ozljede oka zbog letećih krhotina.
 - Cijelo vrijeme nosite sredstva za zaštitu očiju.
- Ozljeda zbog padajućih objekata.
 - Ako radite u području gdje postoji opasnost od padajućih predmeta, morate nositi zaštitu za glavu.



SMANJENJE OPASNOSTI

Prijavljeno je da vibracije alata koje se drži u ruci kod određenih pojedinaca mogu doprinijeti stanju pod nazivom Raynaud's Syndrome. Simptomi mogu uključivati trnce, ukočenost i bjelinu prstiju, obično uočljivo po izlaganju hladnoći. Smatra se da nasljedne osobine, izlaganje hladnoći i vlazi, dijeta, pušenje i radni postupci pridonose razvoju ovih simptoma. Postoje mjere koje operator može poduzeti kako bi smanjio moguće učinke vibracije:

- Održavajte svoje tijelo toplim u hladnim vremenskim uvjetima. Kad radite s proizvodom nosite rukavice kako biste ruke i zglobove održavali toplima. Prijavljeno je da je hladnoća glavni čimbenik koji doprinosi Raynaud's Syndrome.
- Nakon svakog perioda rada vježbajte kako biste povećali cirkulaciju krvi.
- Uzimajte česte stanke u radu. Ograničite količinu izlaganja po danu.

Ako osjetite neke od simptoma ovog stanja, odmah prekinite korištenje i obratite se svome liječniku vezano uz ove simptome.

⚠ UPOZORENJE

Povrede mogu biti uzrokovane ili zadobivene produljenim korištenjem alata. Kada koristite bilo koji alat dulje vremena, osigurajte da uzimate povremene stanke.

UPOZNAJTE SVOJ PROIZVOD

Pogledajte stranicu 191.

1. Klizni gumb prigušnice goriva (čoka)
2. Pumpica za gorivo
3. Štitnik
4. Prednja ručka
5. Svječića za pokretanje
6. Drška startera
7. Oštrica
8. Pokrov filtra za zrak
9. Okretni gumb na poklopcu kutije za zrak
10. Čep za gorivo
11. Otponac za blokiranje okretno ručke
12. Otponac akceleratora
13. Rotirajuća ručka
14. Blokada prekidača gasa
15. Sklopka za Uklj./isklj. (ON/OFF)
16. Korice (štitnik lanca i vodilice lanca)

SIMBOLI NA PROIZVODU



Sigurnosno upozorenje



Kako bi se smanjila opasnost od ozljeda, prije korištenja ovog proizvoda korisnik mora pročitati i shvatiti ove upute za korištenje.



Nosite zaštitu za sluh



Nosite sredstva za zaštitu očiju



Uvijek držite trimer za ogradu s obje ruke prilikom rada.



Nosite zaštitne rukavice velike debljine koje se ne klizaju.



Za spreječavanje ozbiljnih ozljeda, ne dodirujte oštrice za rezanje.



Čuvajte se odbačenih ili letećih predmeta. Držite sve promatrače naročito djecu i kućne ljubimce, na udaljenosti najmanje 15 m od radnog područja.



Rabite bezolovni benzin namijenjen automobilima s oznakom oktana od 91 ((R+M)/2) ili većom.



Koristite 2-taktno ulje za motore hlađenje zrakom.



Prije ponovnog punjenja spremnika za gorivo dobro zamiješajte gorivo i mazivo za dvotaktno motore.



Za smanjenje opasnosti od ozljeda ili oštećenja izbjegavajte kontakt s bilo kojom vrućom površinom.



x10

Pritisnite pumpicu za gorivo 10 puta.



Postavite polugu čoka u položaj čoka "FULL" (PUNO).



Postavite polugu čoka u položaj čoka "HALF" (POLA).



Postavite polugu čoka u položaj "RUN" (POKRENUTO).



Omogućite proizvodu da se pokreće u praznom hodu 10 sekunda.



Povucite ručku za pokretanje dok se motor ne pokrene.



Pokretanje hladnog motora



Pokretanje vrućega motora



Kako biste okrenuli ručicu, povucite mehanizam za blokiranje rotacije ručice. Kako biste otpustili blokadu, okrenite ručicu ulijevo ili udesno. Nastavite okretati ručicu sve dok se ona ne zablokira u položaju 45° ili 90°.



Pritisnite bravu za zaključavanje sklopke i sklopku gasa.



Postavite prekidač u položaj "I" (Uključeno) prije pokretanja jedinice.



Ovaj alat usklađen je sa svim normama i propisima zemlje Europske unije u kojoj je kupljen.



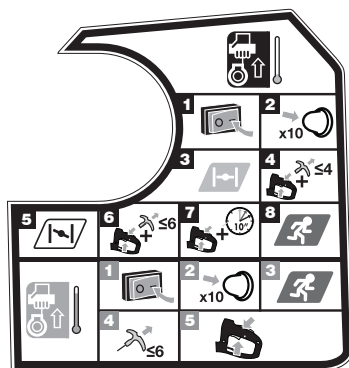
EurAsian znak konformnosti



Ukrajinska oznaka za sukladnost



Jamčena razina zvučne snage 105 dB.



NAPOMENA: Postavite trimer na ravno tlo i osigurajte da nema predmeta ili prepreka u blizini koji mogu doći u dodir s oštricama.

Za pokretanje hladnog motora:

1. Postavite prekidač za paljenje/gašenje na položaj "I".
2. Pritisnite pumpicu za gorivo 10 puta.
NAPOMENA: Nakon 7-og pritiska, gorivo treba biti vidljivo u pumpici za gorivo. Ako ne, nastavite pritiskati sve dok gorivo ne bude vidljivo.
3. Postavite polugu čoka u položaj I-II.
4. Pritisnite bravu za zaključavanje sklopke i sklopku gasa. Povucite ručku za pokretanje dok se motor ne pokrene. Nemojte povlačiti ručku za pokretanje više od 4 puta.
5. Postavite polugu čoka u položaj I-II.
6. Pritisnite bravu za zaključavanje sklopke i sklopku

gasa. Povucite ručku za pokretanje dok se motor ne pokrene. Nemojte povlačiti ručku za pokretanje više od 6 puta.

7. Pritisnite bravu za zaključavanje sklopke i sklopku gasa. Omogućite proizvodu da se pokreće u praznom hodu 10 sekunda.
8. Postavite polugu čoka u položaj III.

Za pokretanje toplog motora:

1. Postavite prekidač za paljenje/gašenje na položaj "I".
2. Pritisnite pumpicu za gorivo 10 puta.
NAPOMENA: Nakon 7-og pritiska, gorivo treba biti vidljivo u pumpici za gorivo. Ako ne, nastavite pritiskati sve dok gorivo ne bude vidljivo.
3. Postavite polugu čoka u položaj III.
4. Lijevom rukom čvrsto primite i pritisnite okretnu ručicu, okidač gasa i blokadu okidača gasa. Povucite ručku za pokretanje dok se motor ne pokrene. Nemojte povlačiti ručku za pokretanje više od 6 puta.
5. Pritisnite bravu za zaključavanje sklopke i sklopku gasa.

SIMBOLI U OVOM PRIRUČNIKU



Dijelovi ili pribor prodan odvojeno



Napomena



Upozorenje



Nemojte pušiti dok miješate gorivo ili punite spremnik s gorivom.



Opasnost od požara.



Kako biste zaustavili proizvod, pritisnite i držite I/O prekidač u položaju „O“.

Slijedeće riječi upozorenja i značenja imaju namjeru da objasne nivo rizika u vezi s ovim proizvodom.

⚠ OPASNOST

Ukazuje na neposrednu opasnu situaciju, koja, ukoliko se ne izbjegne, može rezultirati smrću ili opasnim povredama

⚠ UPOZORENJE

Ukazuje na moguću opasnu situaciju, koja, ukoliko se ne izbjegne, može rezultirati smrću ili opasnim povredama

⚠ UPOZORENJE

Ukazuje na moguću opasnu situaciju, koja, ukoliko se ne izbjegne, može rezultirati manjim ili blažim povredama

UPOZORENJE

Bez sigurnosnog simbola upozorenja
Naznačuje situaciju koja može rezultirati oštećenjem imovine.

PLAN ODRŽAVANJA

	Prije svakog korištenja	Nakon 1 mjeseca ili 20 sati rada	Svaka 3 mjeseca ili 50 sati rada	Svaka 6 mjeseca ili 100 sati rada	Svake godine ili nakon 300 sati rada
Provjerite ulje za podmazivanje motora	■				
Zamijenite ulje za podmazivanje motora		■		■	
Provjerite zračni filter	■				
Očistite zračni filter.			■		
Zamijenite zračni filter					■
Provjerite/podesite svjećicu				■	
Zamijeniti filter goriva					■
Provjerite/podesite brzinu vrtnje u praznom hodu					■
Očistite štitnik za zaustavljanje iskri.			■		
Zamijenite s novim prigušnikom svjećice.					■
Provjerite/podesite zazor ventila ¹					■
Očistite spremnik goriva i filter ¹				■	
Provjerite crijevo za dovod goriva	■				
Pregledajte filter goriva	■				
Zamijeniti filter goriva					■
Provjerite sve priključke crijeva	■				
Pregledajte prelivni ventil za odvod gorivih para iz spremnika za gorivo (ako je ugrađen)	■				
Pregledajte spremnik aktivnog ugljena (samo modeli s rasplinjačem)	■				



1. Ovi preglede mora provesti ovlašteni servisni centar.

NAPOMENE:

- Održavanje je potrebno provoditi češće ako se proizvod koristi u prašnjavim područjima.
- Kada proizvod premaši maksimalne brojeke navedene u tablici, održavanja je potrebno zakazati prema ovdje navedenim intervalima ili satima.



OTKLANJANJE SMETNJI

PROBLEM	Mogući uzrok	RJEŠENJE
Motor se ne pokreće.	Nema iskre.	Provjerite na iskrenje. Uklonite svjećicu. Ponovno spojite kapicu svjećice i položite svjećicu na metalni cilindar. Povucite užu pokretača i promatrajte pojavljuje li se iskra na vrhu svjećice. Ako nema iskre, ponovite ispitivanje s novom svjećicom.
	Nema goriva	Pritisnite pumpicu za gorivo sve dok se ona ne ispunji gorivom. Ako se pumpica goriva ne ispunjava gorivom, glavni sustav za dobavu goriva je blokiran. Obratite se serviseru. Ako se pumpica goriva ispunji gorivom, postoji mogućnost da je motor preplavljen: nastavite na sljedeći korak.
	Motor je potopljen.	Povucite ručicu startera 3 puta s polugom čoka u položaju  . Ako se motor ne pokrene, postavite polugu čoka u položaj  i ponovite normalni postupak pokretanja. Ako se motor još uvijek ne pali, ponovite ove različite etape s novom svjećicom.
Motor se pokreće ali ne ubrzava.	Uzica pokretača teško se povlači.	Obratite se serviseru.
	Motoru treba oko tri minute da se zagrije.	Pustite da se motor potpuno zagrije. Ako se motor ne ubrza nakon tri minute, obratite se ovlaštenom serviseru.
Motor se pokreće ali radi samo na visokom broju okretaja s pola otvorene prigušnice (čoka).	Treba podesiti karburator.	Obratite se serviseru.
Motor ne postiže svoj puni režim i/ili spušta previše dima.	Neppravilna mješavina ulje/benzin.	Rabite gorivo nedavno miješano, koje sadržava dobar odnos dvosintetiziranog ulja.
	Zračni filter je zaprljan.	Očistite zračni filter. Pogledajte Čišćenje zračnog filtra u odjeljku Održavanje ovog priručnika.
	Štitnik za zaustavljanje iskri je prljav.	Obratite se serviseru.
Motor se pali i ubrzava, ali ne postiže leri.	Potrebno je izvršiti podešavanje vijka praznog hoda na rasplinjaču.	Obratite se serviseru.



Pri zasnovi tega bencinskega obrezovalnika za žive meje smo se prednostno osredotočali na varnost, učinkovitost in zanesljivost.

NAMEN UPORABE

Bencinski obrezovalnik za žive meje lahko uporabljajo samo odrasle osebe, ki so prebrale in razumejo navodila ter opozorila v tem priročniku ter so sposobne prevzeti odgovornost za svoja dejanja.

Izdelek je namenjen le za uporabo na prostem in v dobro zračenih prostorih. Zaradi varnosti je zahtevano dvoročno krmiljenje naprave.

Izdelek je namenjen za domačo uporabo. Namenjen je rezanju in prirezovanju živih meja, grmičevja in podobnega rastja z debelin stebel ali vej, manjšo od 28 mm. Uporabljati ga je treba v suhih razmerah z dobro svetlobo.

NI namenjen košenju trave, obrezovanju drevja ali vej. Ne smete ga uporabljati za druge namen kot pa za obrezovanje žive meje.

⚠ OPOZORILO

Da se izognete resnim poškodbam, ne uporabljajte tega proizvoda, dokler ne preberete in popolnoma razumete navodil za uporabo. Shranite ta navodila za uporabo in jih pogosto pregledajte za nadaljevanje varnega delovanja in usposabljanja drugih, ki bodo uporabljali ta proizvod.

Shranite ta navodila.

SPLOŠNA VARNOSTNA OPOZORILA

⚠ OPOZORILO

Preberite vsa varnostna opozorila in navodila. Zaradi neupoštevanja opozoril in navodil lahko pride do požara in/ali resnih poškodb. Shranite vsa opozorila in navodila za kasnejšo uporabo.

PRIPRAVA

⚠ OPOZORILO

Naprava lahko povzroči resne poškodbe. Za pravilno rokovanje z njim, pripravo, vzdrževanje, zagon in ustavitve naprave pozorno preberite navodila. Seznanite se z vsemi krmilnimi elementi in pravilno uporabo izdelka.

- Otrokom in neusposobljenim osebam ne dovolite, da bi uporabljali ta izdelek.
- pazite na nevarnost zunanjih električnih vodov
- Opazovalci, otroci in živali naj bodo med obratovanjem oddaljeni vsaj 15 m. Če so v bližini ljudje, še posebej otroci ali domače živali, naprave ne uporabljajte.
- Bodite primerno oblečeni. Ne nosite ohlapnih oblačil ali nakita, saj se lahko zataknejo med premične dele naprave.

⚠ OPOZORILO

Uporaba kakršnega koli električnega ali motornega orodja lahko povzroči izmet predmetov v vaše oči, kar lahko povzroči hude poškodbe. Pred krmiljenjem naprave si nadenite zaščitna očala ali zaščitna očala s stranskim ščitom ter po potrebi celobrazno zaščitno masko. Namesto varnostnih očal sicer bolj priporočamo uporabo varnostne maske, ki prekrije celoten obraz in ne ovira vidnega polja.

- Opreme ne krmilite, ko ste bos ali ko nosite natikače ali podobna lahka obuvala. Nosite zaščitne čevlje s protizdrsni podplatom za zaščito nog in izboljšanje oprijema na drsnih površinah.

⚠ OPOZORILO

Pri delu z gorivom bodite še posebej previdni. Bencin je vnetljiv, njegovi hlapi pa strupeni in eksplozivni.

- Uporabljajte le vsebnike za gorivo, ki so odobreni za uporabo z bencinom.
- Pred zagonom motorja dolijte gorivo. Goriva ne dolivajte oziroma pokrovčka rezervoarja za gorivo nikoli ne odstranite, ko je motor segret oziroma v teku.
- Ne kadite.
- Dolivanje goriva vedno izvajajte na prostem. Goriva nikoli ne dolivajte v zaprtem ali slabo prezračenem prostoru. Ne približujte se virom vžiga, iskram in plamenom.
- Naprave nikoli ne shranjujte v zaprtem prostoru, v katerem so prisotni viri vžiga, npr. vroča voda in grelna telesa, sušilnik za perilo in podobno, če je v rezervoarju še vedno prisotno gorivo.
- Obrišite polito gorivo na napravi. Preden motor zaženete, se odmaknite najmanj 9 m (30 ft) stran od območja točenja goriva.
- Znova trdno namestite rezervoar in pokrovčke vsebnika.
- Če morate izprazniti rezervoar, to napravite zunaj.
- Če rezalni mehanizem udari ob tuj predmet ali če so zvok oziroma vibracije naprave neobičajni, izklopite napajanje in pustite, da se naprava ustavi. Izklopite kabel vžigalne svečke in izvedite naslednje postopke:
 - pregledajte za primer poškodb
 - Preverite, ali so vsi deli trdno pričvrščeni in zamenjajte zrahljane dele.Poškodovane dele popravite ali jih zamenjajte z deli podobnih specifikacij.

⚠ OPOZORILO

Izdelek je med delovanjem zelo hrupen. Za zmanjšanje nevarnosti dolgotrajnih poškodb sluha morate nositi glušnike.



⚠ OPOZORILO

Pri delu z napravo vedno uporabljajte varovalne naočnike ali varnostna očala s stranskimi ščitniki. Če tega ne storite, vam lahko v oko prileti predmet in povzroči resno poškodbo.

- Zaustavitev motorja v sili: Stikalo za vklop/izklop pomaknite v položaj za izklop (O).

DELOVANJE

- Pred spodnjimi opravili motor vedno zaustavite, snemite pokrovček vžigalne svečke, počakajte, da se vžigalna svečka ohladi, in se prepričajte, da so se premikajoči deli popolnoma zaustavili:
 - Polnjenje z gorivom
 - prilagajanje delovnega položaja ali položaja zadnje ročice
 - pustiti izdelek brez nadzora
 - čiščenje izdelka
 - menjavanje dodatkov
 - uvoľňujúca blokovanie
 - preverjanje glede poškodb, ko zadenete predmet
 - preverjanje glede poškodb, če izdelek začne neobičajno vibrirati
 - vzdrževanje
- Motor zaženite šele, ko je obrezovalnik za žive meje v varnem delovnem položaju. Po priporočilih proizvajalca je treba pred zagonom motorja napravo položiti na tla, kjer rezila niso v stiku z nobenimi predmeti.
- Med krmiljenje obrezovalnika za žive meje ne segajte predaleč naprej oziroma ne stojte na nestabilni podpori. Pazite, da stojite stabilno in da imate ravnotežje. Proizvajalec priporoča, da ne uporabljate stopnic ali lestev. Če morate obrezovati na višini, uporabite podaljševalno orodje.
- Naprave ne uporabljajte, če ima poškodovano ali zelo obrabljeno rezilo.
- Da zmanjšate nevarnosti požara, poskrbite, da v motor in dušilnik ne vstopijo delci, listje ali odvečno mazivo.
- Med uporabo naj bodo ročaji in varovala vedno nameščeni. Nikdy sa nepokúšajte používať nekompletný výrobok alebo výrobok s nepovolenými úpravami.
- Napravo vedno uporabljajte z nameščenima obema ročajema, in sicer tako, da ročaja držite z obema rokama.
- Dobro spoznajite okolico in bodite pozorni na morebitne nevarnosti, ki bi jih lahko spregledali zaradi hrupnosti naprave.

DODATNO OPOZORILO

- Motorja ne uporabljajte v zaprtem prostoru, kjer se lahko zbirajo nevarni hlapi ogljikovega monoksida. Ogljikov monoksid, brezbarven plin brez vonja, je izjemno nevaren plin, ki lahko povzroči nezavest ali smrt.
- Izdelka ne uporabljajte, če ste utrujeni, bolni ali pod vplivom alkohola, drog ali zdravil.

- Pred vsako uporabo zagotovite, da vse kontrole in varnostne naprave delujejo pravilno. Izdelka ne uporabljajte, če stikalo za izklop ne zaustavi motorja. Okvarjena stikala mora zamenjati pooblaščen servisni center.
- Prev vsako uporabo pregledite stroj. Preverite privitost in pritrjenost delov, tesnjenje goriva itd. Naprave ne krmilite, če iz nje uhaja gorivo ali če ročice in varovala niso fiksno nameščeni oziroma ne delujejo brezhibno.
- Dolge lase si spnite nad rameni in tako preprečite njihovo ujetje v premikajoče se dele.
- S cepilnikom ne upravljajte pri slabi osvetljavi. Upravljalavec mora imeti jasen pregled nad delovnim območjem, da lahko prepozna morebitne nevarnosti.
- Pred vsako uporabo temeljito očistite območje obratovanja. Odstranite vse tuje, kot so stebri, žice ali vrvice, ki lahko poškodujejo premikajoče se dele ali sredstva za rezanje oziroma se vanje zapletejo.
- Vedno preverite, ali so za ali v živi meji in grmih, ki jih nameravate obrezati, ljudje ali živali. Uporaba podobnih orodij v bližini poveča nevarnost za poškodbe sluha in nevarnost, da druge osebe vstopijo v vaše delovno območje.
- Pogosto preverjajte, ali so vse matice in vijaki dobro priviti in tako zagotovite varno delovno stanje izdelka. Vsak poškodovani del mora ustrezno popraviti ali zamenjati pooblaščen servisni center.

⚠ OPOZORILO

Ko je gumb za plin spuščen in motor teče v prostem teku, se rezalni pripomoček ali rezilo ne sme premikati. Če se še naprej premika, lahko pride do hudih poškodb upravljalca. Stroja ne uporabljajte. Vrnite ga v pooblaščen servisni center, kjer ga bodo strokovnjaki nastavili.

- Ne dotikajte se delov okoli dušilca in motorja enote, saj se ti med obratovanjem zelo segrejejo.
- Výrobok žiadnym spôsobom neupravujte.
- Obrezovalnika ne potiskajte na silo skozi gosto grmičevje. S tem se rezila lahko upočasnijo. Če se rezila upočasnijo, upočasnite tempo.
- Ne režite debel ali vej, ki so debelejšje od 28 mm ali takih, ki so očitno prevelike, da bi ustrezale velikosti rezila. Velika stebela odrežite z neelektrično ročno žago.
- Za zmanjšanje nevarnosti požara naj bosta motor in dušilec zraka, ki sta v teku oziroma sta segreta, stran od vnetljivih materialov.

TRANSPORT IN SHRANJEVANJE

- Ustavite napravo in pustite, da se ohladi, preden jo shranite ali prevažate.
- Očistite vse tuje z izdelka.
- Rezilo pokrijte z zaščito.
- Odtočite vse gorivo iz rezervoarja v posodo, ki je odobrena za bencin. Ne pozabite pravilno menjati in priviti pokrovčka za gorivo.
- Pustite delovati motor, dokler se ne zaustavi. S tem

EN
FR
DE
ES
IT
NL
PT
DA
SV
FI
NO
RU
PL
CS
HU
RO
LV
LT
ET
HR
SL
SK
BG
UK
TR





boste porabili vse gorivo, ki bi lahko postalo postano in povzročilo nabiranje usedlin v sistemu za dovod goriva.

- Napravo shranite na hladnem, suhem in dobro prezračenem mestu, ki je zunaj dosega otroka in stran od virov vžiga.
- Hranite proč od jedkih sredstev, kot so kemikalije za vrtnarjenje in soli za odmrzovanje.
- Ne shranjujte na prostem.
- Za transport zavarujte izdelek pred premiki ali padci, da preprečite poškodbe oseb ali izdelka.
- Naprave nikoli ne prenašajte, ko je v teku.
- Upoštevajte vse državne in krajevne predpise glede varnega skladiščenja in rokovanja z bencinom.

Kratkotrajno shranjevanje (manj kot 1 mesec)

- Pred shranjevanjem ustavite motor in počakajte, da se ohladi.
- Rezilo pokrijte z zaščito.
- Napravo shranite na hladnem, suhem in dobro prezračenem mestu, ki je zunaj dosega otroka in stran od virov vžiga.
- Hranite proč od jedkih sredstev, kot so kemikalije za vrtnarjenje in soli za odmrzovanje.
- Ne shranjujte na prostem.

VZDRŽEVANJE

⚠ OPOZORILO

Servisiranje zahteva posebno pozornost in znanje in naj jo zato opravlja samo izurjeni servisni tehnik. Servisiranje in popravila izdelka vam priporočamo pri vašem najbližjem pooblaščenem servisnem centru. Pri servisiranju uporabljajte le identične nadomestne dele.

⚠ OPOZORILO

Rezila so ostra. Pri sestavljanju rezil si nadenite nederseče zaščitne rokavice za groba dela. Dlani ali prstov ne polagajte med rezila ali na katera koli mesta, kjer bi jih lahko preščičili ali porezali. Rezil se ne dotikajte oziroma naprave ne servisirajte, če je priključena žica vžigalne svečke.

⚠ OPOZORILO

Zavorna tekočina, gorivo, izdelki na osnovi nafte, prodirajoče olje ipd. nikoli ne smejo priti v stik s plastičnimi deli. Kemikalije lahko plastiko poškodujejo, oslabijo ali uničijo, kar lahko privede do resnih telesnih poškodb.

⚠ OPOZORILO

Ne skušajte spreminjati izdelka ali ustvarjati priključke, katerih uporabe na tem izdelku ne priporočamo. Vsako tako spreminjanje je zloraba in lahko privede do tveganj, ta pa do hudih osebnih poškodb.

- Opravljati smete le nastavitve in popravila, ki so opisana v teh navodilih za uporabo. Za ostala popravila se obrnite na pooblaščenega serviserja.
- Posledice nepravilnega vzdrževanja so lahko npr. prekomerno kopičenje ogljika, kar povzroča zmanjševanje učinkovitosti in izpust črnih oljnih ostankov, ki kapljajo iz dušilca zvoka.
- Po vsaki uporabi z mehko suho krpo očistite trup in ročaje izdelka.
- Po vsaki uporabi s trdo krtačo z rezila odstranite ostanke, nato pa previdno nanesite mazivo proti rji, preden znova namestite zaščito rezila. Proizvajalec priporoča uporabo zaščitnega sredstva pred rjo ter spreja, ki ju enakomerno nanesete, ter s tem zmanjšate tveganje za poškodbe oseb zaradi stika z rezilom. Za informacije o ustreznem spreju se obrnite na lokalni pooblaščen servisni center.
- Pred uporabo lahko rezila po potrebi rahlo namažete, pri tem pa upoštevajte zgornjo metodo.
- Pogosto preverjajte, ali so vse matice in vijaki dobro priti in tako zagotovite varno delovno stanje izdelka. Vsak poškodovani del mora ustrezno popraviti ali zamenjati pooblaščen servisni center.

MENJAVANJE REZIL

- Redno pregledujte rezila za primer poškodb in obrabe. Če je katero od rezil poškodovano, jih morajo ustrezno popraviti ali menjati v pooblaščenem servisnem centru.

ODPRAVLJANJE BLOKAD

- Zaustavite motor in počakajte, da se zaustavijo vsi premikajoči se deli.
- Odklopite kabel vžigalne svečke.
- Rezila so ostra. Pri delu v bližini rezil nosite robustne delovne rokavice.
- Iz okolice rezil ali drugih premikajočih se delov previdno odstranite blokade ali ostanke.

REZIDUALNA TVEGANJA

Tudi če izdelek uporabljate tako, kot je predpisano, še vedno ne moremo izključiti določenih preostalih dejavnikov tveganja. Med uporabo se lahko pojavijo naslednje nevarnosti, upravljaavec pa naj bo pozoren na sledeče:

- Poškodba zaradi stika z rezili
 - Prepričajte se, da so nameščena varovala rezil, kadar naprava ni v uporabi. Roke in noge držite vedno proč od rezil.
- Poškodbe zaradi vibracij.
 - Vedno uporabljajte pravo orodje za opravilo, uporabite ustrezne ročaje in omejite delovni čas in izpostavljenost. Glejte poglavje »Zmanjševanje nevarnosti« v tem priročniku.
- Poškodbe sluha zaradi izpostavljenosti hrupu
 - Nosite zaščito za sluh in omejite izpostavljenost.
- Poškodbe oči, zaradi delcev, ki odletijo.
 - Vedno nosite zaščito za oči.
- Telesne poškodbe zaradi padajočih predmetov.
 - Pri delu na območju, kjer obstaja tveganje za padajoče predmete, morate nositi zaščito za glavo.



ZMANJŠANJE TVEGANJA

Ugotovljeno je bilo, da lahko pri nekaterih posameznikih vibracije ročnih orodij povzročijo Raynaudov sindrom. Simptomi so lahko mravljinca, otrplost in pobledele prsti, kar je običajno vidno, kadar je oseba izpostavljena mrazu. Dedni dejavniki, izpostavljenost mrazu in vlagi, dieta, kajenje in delovne navade naj bi pripomogle k razvoju teh simptomov. Za zmanjšanje učinkov vibracij lahko upravljavec upošteva naslednja navodila:

- Poskrbite, da bo vaše telo na mrazu toplo. Med upravljanjem nosite rokavice in tako ohranjajte toploto vaših dlani in zapestij. Kot poročajo, je mraz glavni dejavnik, ki prispeva k Raynaudovemu sindromu.
- Po vsakem obdobju upravljanja naprave telovadite in tako pospešite krvni obtok.
- Pogosto si vzemite odmor. Omejite dnevno količino izpostavljenosti.

Če zaznavate kakršne koli simptome takšnega stanja, takoj prenehajte z uporabo naprave in se o simptomih posvetujte z zdravnikom.

⚠ OPOZORILO




Daljša uporaba orodja lahko privede do poškodb ali pa so poškodbe lahko hujše. Kadar orodje uporabljate dalj časa, si večkrat vzemite odmor.


















SPOZNAJTE SVOJ IZDELEK

Glejte stran 191

1. Drsnik dušilke
2. Gumb vbrizgalke
3. Ščitnik
4. Sprednji ročaj
5. Kapica vžigalne svečke
6. Ročica zaganjalnika
7. Rezilo
8. Pokrov zračnega filtra
9. Gumb pokrova posode za zrak
10. Pokrov za bencin
11. Sprožilnik za zaklep vrtljive ročice
12. Stikalo dušilne lopute
13. Vrtljivi ročaj
14. Zaklep ročice za plin
15. Stikalo za vklop/izklop
16. Zaščitni tulec

SIMBOLI NA IZDELKU

-  Varnostni alarm
-  Za zmanjšanje nevarnosti poškodb si preberite in osvojite vsebino navodil, preden izdelek uporabite.
-  Nosite zaščito za ušesa

-  Nosite zaščito za oči
-  Obrezovalnik med delom vedno držite z obema rokama.
-  Nosite si nederseče, močne delovne zaščitne rokavice.
-  Da bi preprečili resne poškodbe, se ne dotikajte rezil.
-  Pazite na izvržene ali leteče predmete. Prisotni (še posebej otroci in živali) naj bodo med obratovanjem oddaljeni vsaj 15 m od delovnega območja.
-  Uporabljajte neosvinčen bencin, namenjen za motorna vozila, z oktanskim številom 91 ([R+M]/2) ali višje.
-  Uporabljajte sintetično 2-taktno mazivo za zračno hlajene motorje.
-  Pred dodajanjem goriva temeljito zmešajte gorivo in dvotaktno mazivo.
-  Da zmanjšate tveganje poškodb ali škode, preprečite stik z vročo površino.
-  10-krat pritisnite črpalni mehurček.
-  Ročico dušilne lopute premaknite v položaj »FULL« (polna zadušitev).
-  Ročico dušilne lopute premaknite v položaj »HALF« (polovična zadušitev).
-  Ročico dušilne lopute premaknite v položaj »RUN« (tek).
-  Izdelek naj deluje v prostem teku približno od 10 sekund.
-  Zagonski ročaj povlecite tolikokrat, da se motor zažene.
-  Zagon hladnega motorja
-  Zagon toplega motorja



Za obračanje vrtljive ročice povlecite sprožilnik za zaklep vrtenja ročice. Ročico obrnite v desno ali levo in sprostite sprožilnik za zaklep vrtenja ročice. Vrtljivo ročico obračajte, dokler se ne zaklene v položaju pod kotom 45° ali 90°.



Pritisnite zaklep gumba za plin in gumb za plin.



Stikalo nastavite v položaj "I", preden enoto zaženete.



Ustreza vsem predpisanim standardom v državi članici EU, kjer je bil kupljen izdelek.



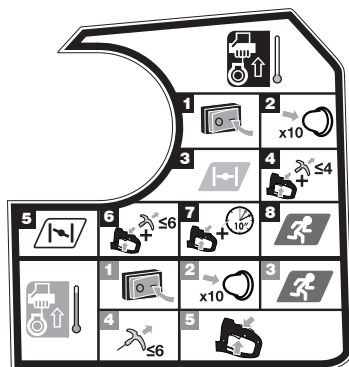
EurAsian oznaka o skladnosti



Ukrajinska oznaka za skladnost



Zajamčena raven hrupa je 105 dB.



OPOMBA: Obrezovalnik postavite a ravno površino in zagotovite, da v bližini ni predmetov ali ovir, ki bi lahko prišli v stik z rezili.

Zagon hladnega motorja:

1. Stikalo za vklop/izklop premaknite v položaj »I«.
2. 10-krat pritisnite črpalni mehurček.
OPOMBA: Po 7 pritiskih mora biti gorivo že vidno v črpalnem mehurčku. V nasprotnem primeru stiskajte, dokler gorivo ni vidno.
3. Ročico za plin pomaknite v položaj I↔.
4. Pritisnite zaklep gumba za plin in gumb za plin. Povlecite ročaj zaganjalnika, da se bo motor zagnal. Zagonskega ročaja ne povlecite več kot 4-krat.

5. Ročico za plin pomaknite v položaj I↔.
6. Pritisnite zaklep gumba za plin in gumb za plin. Zagonski ročaj povlecite tolikokrat, da se motor zažene. Zagonskega ročaja ne povlecite več kot 6-krat.
7. Pritisnite zaklep gumba za plin in gumb za plin. Izdelek naj deluje v prostem teku približno od 10 sekund.
8. Ročico za plin pomaknite v položaj I↔.

Zagon toplega motorja:

1. Stikalo za vklop/izklop premaknite v položaj »I«.
2. 10-krat pritisnite črpalni mehurček.
OPOMBA: Po 7 pritiskih mora biti gorivo že vidno v črpalnem mehurčku. V nasprotnem primeru stiskajte, dokler gorivo ni vidno.
3. Ročico za plin pomaknite v položaj I↔.
4. Z levo roko trdno primate in stisnete vrtljivo ročico, sprožilo dušilke in zaklep sprožila dušilke. Zagonski ročaj povlecite tolikokrat, da se motor zažene. Zagonskega ročaja ne povlecite več kot 6-krat.
5. Pritisnite zaklep gumba za plin in gumb za plin.

SIMBOLI V TEM PRIROČNIKU



Deli ali dodatki so na prodaj ločeno



Opomba



Opozorilo



Med mešanjem goriva ali polnjenjem rezervoarja za gorivo ne kadite.



Nevarnost požara.



Za zaustavitev izdelka pritisnite stikalo I/O in ga pridržite v položaju »O«.

Sljedeće signalne besede in pomeni naj bi pojasnili ravni tveganja, ki so povezane s tem izdelkom.

⚠ NEVARNOST

Označuje neizbežno tvegano stanje, ki če se ji ne izognete lahko povzroči smrt ali resno poškodbo.

⚠ OPOZORILO

Označuje morebitno tvegano stanje, ki če se ji ne izognete lahko povzroči smrt ali resno poškodbo.

⚠ POZOR

Označuje morebitno tvegano stanje, ki če se mu ne izognete lahko povzroči manjšo ali srednje resno poškodbo.

POZOR

Brez simbola za varnostno opozorilo

Prikazuje situacijo, ki lahko povzroči materialno škodo.

URNIK VZDRŽEVANJA



	Pred vsako uporabo	Po 1 mesecu ali 20 urah delovanja	Vsake 3 mesece ali vsakih 50 ur delovanja	Vsake 6 mesece ali vsakih 100 ur delovanja	Enkrat letno ali po 300 urah delovanja
Preverite motorno olje	■				
Menjajte motorno olje		■		■	
Preverite zračni filter	■				
Očistite zračni filter.			■		
Menjajte zračni filter					■
Preverite/prilagodite vžigalno svečko				■	
Zamenjajte filter za gorivo					■
Preverite/prilagodite hitrost prostega teka					■
Očistite zaslon omejevalca iskrenja.			■		
Zamenjajte ga z novim iskrolovom.					■
Preverite/prilagodite odmik ventila ¹					■
Očistite rezervoar za gorivo in filter ¹				■	
Preverite cev za gorivo	■				
Preglejte filter goriva	■				
Zamenjajte filter za gorivo					■
Preverite vse cevne povezave	■				
Preglejte režo za odvajanje plinov na rezervoarju za gorivo (če je nameščena)	■				
Preglejte posodo za ogljik (samo na modelih z uplinjačem)	■				

1. Ta opravila naj izvajajo samo v pooblaščenih servisnih centrih.

OPOMBE:

- Če izdelek uporabljate v prašnem okolju, ga je treba pogosteje vzdrževati.
- Če vrednosti za izdelek presežejo vrednosti, navedene v preglednici, je treba vzdrževanje še naprej izvajati skladno z navedenimi obdobji ali urami vzdrževanja.

ODPRAVLJANJE NAPAK

Problem	Možen vzrok	Rešitev
Motor sa nedá naštartovať.	Ni iskrenja.	Preverite, ali je prisotna iskra. Odstranite vžigalno svečko. Znova namestite pokrovček vžigalne svečke in jo namestite na kovinski valj. Povlecite vrv za zagon in spremljajte, ali se na konici vžigalne svečke pojavi iskra. Če ni iskre, preizkus ponovite z novo vžigalno svečko.
	Ni goriva	Stlačajte gumový balónik, kým sa nenaplní palivom. Ak sa gumový balónik nenaplní palivom, obehový systém paliva je upchaný. Obrnite se na serviserja. Ak sa gumový balónik naplní palivom, možno je zaplavený motor, prejdite na ďalší bod.
	Motor je zalit.	Ročico zaganjalnika 3-krat povlecite, ko jez ročica za plin v položaju  . Če se motor ne zažene, ročico za plin premaknite v položaj  in ponovite postopek za običajni zagon. Če motor še vedno noče vžgati, ponovite postopek z novo svečko.
	Vrvico zaganjalnika morate močno povleči.	Obrnite se na serviserja.
Motor se zažene, vendar deluje pri enakomerni hitrosti brez pospeševanja.	Motor potrebuje na zahriatie približne tri minúty.	Nechajte motor úplne sa zahriat'. Ak ani po troch minútach motor nezrýchli, obráťte sa na zástupcu servisu.
Motor naštartuje, ale beží na plný výkon iba v polootvorenej polohe.	Uplinjač je treba nastaviť.	Obrnite se na serviserja.
Motor ne doseže polne hitrosti ali oddaja preveč dima.	Neppravilna mešanica olja/goriva.	Uporabite sveže gorivo in pravilno razmerje 2-taktne mešanice olja.
	Umazan zračni filter.	Očistite zračni filter. Glejte Čiščenje zračnega filtra v poglavju Vzdrževanje.
	Umazan zaslon omejevalca iskrenja.	Obrnite se na serviserja.
Motor vžge, teče in pospešuje, vendar ne teče na prazno.	Skrutka voľnobežných otáčok na karburátore vyžaduje nastavenie.	Obrnite se na serviserja.

Bezpečnosť, efektívnosť a spoľahlivosť boli prvoradá pri navrhovaní vašich benzínových nožníc na živý plot.

ÚČEL POUŽITIA

Benzínové nožnice na živý plot môžu používať len svojprávne dospelé osoby, ktoré si prečítali a porozumeli pokynom a varovaniam v tejto príručke a v príručke na príslušný pohon.

Tento produkt je určený výhradne na použitie v exteriéri a v dobre vetraných priestoroch. Z bezpečnostných dôvodov musí byť krovinorez náležite ovládaný pomocou oboch rúk.

Tento produkt je určený na domáce použitie. Je určený na strihanie a úpravu živých plotov, kríkov, a podobnej vegetácie s hrúbkou stoniek alebo vetvičiek menej ako 28 mm. Musí sa používať v suchom a dobre osvetlenom prostredí.

NIE je určené na strihanie trávy, stromov či konárov. Nesmie sa používať na žiadne iné účely okrem strihania živých plotov.

VAROVANIE

Aby nedošlo k vážnemu poraneniu, nepoužívajte zariadenie, pokiaľ ste si predtým dôkladne s porozumením neprečítali tento návod na obsluhu. Odložte si tento návod na obsluhu a pravidelne ho kontrolujte, dosiahnete tak bezpečnú prevádzku a môžete informovať iné osoby, ktoré môžu tento produkt používať.

Uchovajte si tieto pokyny.

VŠEOBECNÉ BEZPEČNOSTNÉ VÝSTRAHY

VAROVANIE

Prečítajte si všetky bezpečnostné výstrahy a pokyny. Pri nedodržaní týchto výstrah a pokynov môže dôjsť požiaru alebo závažnému poraneniu. Odložte všetky upozornenia a pokyny použité v budúcnosti.

PRÍPRAVA

VAROVANIE

Tento nástroj môže spôsobiť vážne poranenia. Prečítajte si všetky pozorne všetky pokyny na bezpečnú manipuláciu, prípravu, údržbu, spúšťanie a zastavovanie nástroja. Oboznámte sa s ovládacími prvkami a správnu obsluhu produktu.

- Nedovoľte tento produkt používať deťom a nezaškoleným osobám.
- pozor na nebezpečenstvo z visutých elektrických rozvodných vedení
- Všetci okolostojace osoby, deti a domáce zvieratá musia byť vo vzdialenosti minimálne 15 m. Keď sa v blízkosti nachádzajú iné osoby, najmä deti alebo domáce zvieratá, nepoužívajte nástroj.

- Primerane sa oblečte. Nenoste voľné oblečenie alebo šperky; mohli by sa zachytiť do pohyblivých častí.

VAROVANIE

Obsluha každého poháňaného stroja môže mať za následok vniknutie cudzích telies do očí a spôsobiť vážne poranenia. Pred použitím tohto výrobku si vždy nasadte bezpečnostné okuliare alebo ochranné okuliare s bočnými krytmi, a v prípade potreby ochranný štít na celú tvár. Odporúčame Široký Vision bezpečnosť maska pre použitie cez okuliare alebo štandardné bezpečnostné okuliare s bočnými štítmí.

- Nepoužívajte nástroj, ak ste bosí alebo keď máte obuté sandále alebo podobnú ľahkú obuv. Noste protišmykovú ochrannú obuv, ktorá bude chrániť vašu nohu a zlepšovať vašu stabilitu na kizkom povrchu.

VAROVANIE

Pri manipulácii s palivami buďte opatrní. Benzín je horľavý a jeho výpary sú jedovaté a výbušné.

- Používajte iba nádoby na palivo, ktoré sú schválené na benzín.
- Pred naštartovaním motora pridajte palivo. Nikdy nesnímajte záver palivovej nádrže alebo nedopĺňajte palivo, keď motor beží alebo keď je motor horúci.
- Nefajčite.
- Vždy dopĺňajte palivo v otvorenom priestranstve. Nikdy nedopĺňajte palivo vo vnútorných a zle vetraných priestoroch. Skladujte v bezpečnej vzdialenosti od všetkých zdrojov vznietenia, iskier a ohňa.
- Nikdy neskladujte výrobok s palivom vnútri palivovej nádrže vnútri budovy, kde sa nachádzajú zdroje vznietenia, také ako horúca voda a radiátory, sušičky bielizne a podobné.
- Prípadné rozliate palivo utrite. Pred spustením motora sa presuňte 9 m (30 stôp) od miesta na doplnenie paliva.
- Znovu pevne nasadte všetky uzávery palivovej nádrže a nádoby na palivo.
- Ak potrebujete vypustiť palivovú nádrž, vykonajte to vonku.
- Ak strihací mechanizmus zasiahne nejaké cudzie predmety alebo ak stroj začne vydávať akékoľvek nezvyčajné zvuky alebo vibrácie, vypnite napájací a počkajte, kým sa stroj zastaví. Odpojte vodič zapaľovacej sviečky od zapaľovacej sviečky a vykonajte nasledujúce kroky:
 - skontrolujte poškodenia
 - skontrolujte a vymeňte všetky uvoľnené diely.Akékoľvek poškodené diely nechajte vymeniť alebo opraviť sa diely s ekvivalentnými špecifikáciami.

VAROVANIE

Tento produkt je počas prevádzky hlučný. Je nutné nosiť ochranu sluchu, aby sa znížilo riziko dlhodobého poškodenia sluchu.

VAROVANIE

Pri práci s výrobkami vždy noste bezpečnostné okuliare s bočnými chráničmi. Ak tak neurobite, môže to spôsobiť, že úlomky odletia do vašich očí, čo môže spôsobiť vážne zranenie.

- Na vypnutie motora v núdzovej situácii: Hlavný vypínač prepnite do vypnutej polohy (O).

PREVÁDZKA

- Vždy vypnite motor, odpojte kryt zapaľovacej sviečky od zapaľovacej sviečky, nechajte ho vychladnúť a uistite sa, že sa všetky pohyblivé diely úplne zastavili pred:
 - Plnenie palivovej nádrže
 - nastavením pracovnej polohy alebo pozície zadnej rukoväte
 - ponechanie produktu bez dozoru
 - čistenie produktu
 - výmenou príslušenstva
 - uvoľňujúca blokovanie
 - skontrolujte akékoľvek poškodenie po zásahu objektom
 - skontrolujte akékoľvek poškodenie, ak produkt začne neštandardne vibrovať
 - vykonávanie údržby
- Motor štartujte len vtedy, keď sú nožnice na živý plot v bezpečnej pracovnej polohe. Výrobca odporúča pred spustením motora, položiť výrobok na zem, aby nože nemohli s ničím prísť do kontaktu.
- Keď pracujete s nožnicami na živý plot, nezachádzajte príliš ďaleko a nestojte nestabilnej opore. Neustále zachovávajte pevnú oporu nôh a rovnováhu. Výrobca neodporúča používať schodíky alebo rebríky. Ak sa vyžaduje strihať vo vyššej polohe, použite nástroj na ďaleký dosah.
- Nepracujte s nástrojom, ktorý má poškodené alebo nadmerne opotrebené rezacie zariadenie.
- Na zníženie rizika vzniku požiaru odstraňujte z motora a tlmíča sutinu, lístie a nadytočné mazivo.
- Pri používaní zariadenia vždy skontrolujte, či sú nasadené všetky rukoväte a kryty. Ne uporať napríklad nepopolnega orodja ali orodja s priključenim neodobrenim dodatkom.
- Na obsluhu zariadenia vybaveného dvoma rukovätami vždy používajte obe ruky.
- Oboznámte sa s okolím a dávajte pozor na možné riziká, ktoré si nemusíte všimnúť kvôli huku zo stroja.

ĎALŠIE VÝSTRAHY

- Nepracujte so zariadením v stiesnených priestoroch, kde sa môžu hromadiť výpary oxidu uhoľnatého. Oxid

uhľohnatý je mimoriadne nebezpečný plyn bez farby a zápachu, ktorý môže spôsobiť bezvedomie alebo smrť.

- Nepoužívajte tento produkt, keď ste unavení, chorí alebo pod vplyvom, alkoholu, drog alebo liekov.
- Pred každým použitím skontrolujte, či všetky ovládacie prvky a bezpečnostné zariadenia fungujú správne. Produkt nepoužívajte, ak hlavný spínač nevypína motor. Chybné spínače sa musia vymeniť v autorizovanom servisnom centre.
- Pred každým použitím nástroj skontrolujte. Skontrolujte, či nie sú uvoľnené upínadlá, neuniká palivo a pod. Nepoužívajte nástroj, ak uniká palivo alebo ruky a ochranné kryty nie sú bezpečné a plne funkčné.
- Dlhé vlasy zaistite, aby boli nad úrovňou pliec a nedošlo tak k ich zamotaniu do pohyblivých dielov.
- Nepracujte pri nedostatočnom osvetlení. Obsluhujúci musí mať jasný výhľad na pracovný priestor, aby mohol identifikovať potenciálne nebezpečenstvo.
- Pred každým použitím vyčistite pracovisko. Odstráňte všetky cudzie predmety, ako sú kolíky, drôty alebo šnúry, ktoré môžu poškodiť alebo sa zamotať do pohyblivých častí alebo rezných zariadení.
- Pravidelne kontrolujte, či za vami alebo v krovine alebo kriku, ktorý chcete strihať, nie sú žiadne osoby alebo zvieratá. Pri používaní podobných nástrojov v blízkosti sa zvyšuje riziko poranenia sluchu a potenciál pre ostatné osoby, ktoré vstúpia do pracovného priestoru.
- Skontrolujte všetky skrutky, matice v častých intervaloch či sú riadne utiahnuté, aby sa zaistila bezpečná prevádzka produktu. Akýkoľvek poškodený diel sa musí náležite opraviť alebo vymeniť v autorizovanom servisnom centre.

VAROVANIE

Pri uvoľnení regulačného spínača pri motore bežiacom na voľnobeh sa rezný nástavec alebo ostrie nesmú pohybovať. Ak sa ďalej pohybuje, hrozí nebezpečenstvo závažného poranenia obsluhujúceho. Na zariadenie nevyvíjajte silu. Vráťte ho do autorizovaného servisného centra na profesionálne nastavenie.

- Nedotýkajte sa priestorov v okolí tlmíča alebo motora zariadenia, tieto diely sú počas činnosti horúce.
- Izdelka na nohen načín ne spreminjajte.
- Netlačte strihač živého plotu cez husté kroviny prisilno. To môže spôsobiť zovretie ostrí a ich spomalenie. Ak ostria spomalila, znížte tempo.
- Nepokúšajte sa strihať kmene alebo vetvy hrubšie ako 28 mm alebo také, ktoré sú zjavne príliš veľké, aby vošli do rezného ostria. Na rezanie veľkých kmeňov použite ručnú pílu bez pohonu alebo odvetvovacu pílu.
- Zaistite, aby bol bežiaci alebo horúci motor a tlmíč v dostatočnej vzdialenosti od horľavých materiálov, aby sa znížilo riziko vzniku požiaru.

PREPRAVA A SKLADOVANIE

- Pred uskladnením alebo prepravou zastavte zariadenie a nechajte ho vychladnúť.

- Odstráňte zo zariadenia všetky cudzie materiály.
- Nasaďte na nôž chránič noža (puzdro).
- Vylejte palivo z nádrže do kanistra alebo do inej nádoby, určenej na uchovávanie benzínu. Nezabudnite na správnu výmenu a dotiahnutie palivovej krytky.
- Nechajte motor bežať, kým sa sám nezastaví. Tým sa z nádrže odčerpá všetko palivo a odstráni sa zvyšky, ktoré by sa mohli usadiť v palivovom systéme.
- Výrobok skladujte na chladnom, suchom a dobre vetranom mieste, ktoré je nedostupné pre deti a v dostatočnej vzdialenosti od zdrojov vznietenia.
- Náradie neuskladňujte v blízkosti žieravých látok, ako napríklad v blízkosti záhradníckych chemických prípravkov alebo solí na zimný posyp komunikácií.
- Neskladujte v exteriéri.
- Pri preprave zaistite produkt pred pohybom alebo pádom, aby nedošlo k poraneniu osôb alebo poškodeniu produktu.
- Zariadenie nikdy neprenášajte ani neprevádzajte, kým je spustené.
- Oboznámte sa so všetkými vládnyimi a miestnymi predpismi týkajúcimi sa bezpečného skladovania a manipulácie s palivom.

Krátkodobé skladovanie (menej ako 1 mesiac)

- Zastavte motor a nechajte ho vychladnúť, predtým ako ho uskladníte.
- Nasaďte na nôž chránič noža (puzdro).
- Výrobok skladujte na chladnom, suchom a dobre vetranom mieste, ktoré je nedostupné pre deti a v dostatočnej vzdialenosti od zdrojov vznietenia.
- Náradie neuskladňujte v blízkosti žieravých látok, ako napríklad v blízkosti záhradníckych chemických prípravkov alebo solí na zimný posyp komunikácií.
- Neskladujte v exteriéri.

ÚDRŽBA

VAROVANIE

Údržba vyžaduje extrémnu starostlivosť a znalosti, a musí byť prevádzaná výhradne v autorizovanom servise. Z dôvodu servisu vám odporúčame vrátiť výrobok do najbližšieho autorizovaného servisného centra na opravu. Ak výrobok opravujete, používajte iba rovnaké originálne náhradné diely.

VAROVANIE

Ostria sú ostré. Pri manipulácii s jednotkou ostria používajte protišmykové silné ochranné rukavice. Nevkladajte ruky alebo prsty medzi ostria ani do žiadnej inej pozície, kde by sa mohli zovrieť alebo porezať. Nikdy sa nedotýkajte nožov alebo neobsluhujte výrobok so zapojeným káblom zapalovacej sviečky.

VAROVANIE

Dbajte na to, aby do kontaktu s plastovými dielmi nikdy neprišli do kontaktu brzdové kvapaliny, benzín, ropné produkty, prenikavé oleje a pod. Chemikálie môžu poškodiť, oslabiť či zničiť plast, čo môže spôsobiť závažné osobné poranenie.

VAROVANIE

Nepokúšajte sa modifikovať produkt, alebo vytvoriť príslušenstvo, ktoré nie je odporúčené pre použitie s týmto produktom. Akékoľvek úpravy alebo prestavby môžu mať za následok nebezpečné podmienky vedúce k vážnym osobným poraneniam.

- Môžete vykonávať úpravy a opravy popísané v tejto príručke. Pri ostatných opravách sa obráťte na autorizovaného servisného zástupcu.
- Nesprávna údržba môže mať za následok nadmerné usadzovanie uhlíka, čo spôsobí stratu výkonnosti a uvoľňovanie čiernych olejových zvyškov kvapkajúcich z tlmíča.
- Po každom použití vyčistite telo a rukoväť produktu suchou tkaninou.
- Po každom použití vyčistite sutinu z ostrí pomocou tvrdej kefy a predtým, ako znova namontujete ochranný kryt ostria, dôkladne naneste prostriedok proti hrdzaveniu. Výrobca odporúča aplikovať a rovnomerne naniesť prostriedok proti hrdzaveniu a lubrikačný sprej, čím sa zníži riziko poranenia osôb následkom kontaktu s ostriami. Informácie o vhodnom sprejovom produkte dostanete v miestnom autorizovanom servisnom centre.
- Pomocou vyššie uvedenej metódy môžete v prípade potreby pred použitím ostria jemne namazať.
- Skontrolujte všetky skrutky, matice v častých intervaloch či sú riadne utiahnuté, aby sa zaistila bezpečná prevádzka produktu. Akýkoľvek poškodený diel sa musí náležite opraviť alebo vymeniť v autorizovanom servisnom centre.

VÝMENA NOŽOV

- Ostria pravidelne kontrolujte, či nie sú poškodené a opotrebované. Pri akomkoľvek poškodení nožov, musia byť tieto nože riadne opravené alebo vymenené v autorizovanom servisnom stredisku.

ODSTRÁNENIE UPCHATIA

- Zastavte motor a počkajte, kým sa nezastavia všetky pohyblivé časti.
- Odpojte vodič zapalovacej sviečky.
- Ostria sú ostré. Pri manipulácii v blízkosti nožov noste pevné rukavice.
- Opatrne odstráňte zablokovanie alebo nečistoty z okolia nožov alebo iných pohyblivých častí.

ZVÝŠKOVÉ RIZIKÁ

Aj keď sa nástroj používa podľa predpisu, nie je možné eliminovať určité zvyškové rizikové faktory. Pri použití



vznikajú nasledujúce riziká a obsluhujúca osoba musí venovať zvláštnu pozornosť, aby nedošlo k nasledovnému:

- Zranenie spôsobené kontaktom s rezacím mechanizmom
 - Uistite sa, že v čase, keď sa výrobok nepoužíva, má nasadený chránič nožov. Ruky a nohy nikdy nedávajte do blízkosti ostří.
- Zranenie spôsobené vibráciami.
 - Vždy používajte vhodný nástroj pre danú úlohu, používajte určené rukoväte a obmedzte pracovný čas a mieru rizika. Pozri časť „Zníženie rizika“ v tejto príručke.
- Poškodenie sluchu v dôsledku vystaveniu huku.
 - Používajte ochranu sluchu a obmedzte expozíciu.
- Poranenie zraku následkom odletujúcej sutiny.
 - Neustále používajte ochranu zraku.
- Zranenia spôsobené padajúcimi predmetmi.
 - Pri práci v priestore, kde existuje riziko pádu predmetov, používajte ochranu hlavy.

OBMEDZENIE RIZIKA

Boli hlásené prípady, kedy vibrácie z ručných nástrojov u niektorých osôb prispeli k stavu nazývanému Raynaudov syndróm. K symptómom patria: trpnutie, znecitlivenie a blednutie prstov, zvyčajne zjavné po vystaveniu zime. Je známe, že k vývoju týchto symptómov prispievajú: dedičné faktory, vystavovanie zime a vlhkosti, diéta, fajčenie a pracovné návyky. Opatrenia, ktoré môže vykonať obsluhujúca osoba na možné zníženie účinkov vibrácií:

- V studenom počasí udržiavajte svoje telo v teple. Pri práci s produktom noste rukavice, aby ste mali ruky a zápästia v teple. Boli hlásené prípady, kedy hlavným faktorom prispievajúcim k Raynaudovmu syndrómu bolo studené počasie.
- Po každom určitom časovom úseku prevádzky cvičte, aby ste zlepšili krvný obeh.
- Počas práce si doprajte časté prestávky. Obmedzte počet vystavení za deň.

Ak zistíte ktorýkoľvek zo symptómov tohto stavu, okamžite prerušte používanie zariadenia, navštívte svojho lekára a povedzte mu o symptómoch.

VAROVANIE

Pri dlhodobom alebo zvýšenom používaní môže dôjsť k zraneniam. Pri používaní nástroja príliš dlhé obdobia si vždy doprajte pravidelné prestávky.

OBOZNÁMTE SA S VAŠIM PRODUKTOM

Pozrite stranu 191.

1. Páčka sýtiča
2. Gumový balónik
3. Ochranný kryt
4. Predná rukoväť
5. Päťka zapalovacej sviečky
6. Rukoväť štartéra
7. Ostrie
8. Kryt vzduchového filtra
9. Otočný gombík krytu vzduchového filtra
10. Palivové viečko

11. Zaisťovacia spúšť otočnej rukoväte
12. Plynová páčka
13. Otočná rukoväť
14. Poistka páčky plynu
15. Hlavný spínač
16. Puzdro

SYMBOLY NA PRODUKTE



Výstražná značka



Na zníženie nebezpečenstva poranenia si musí užívateľ pred použitím tohto produktu prečítať a pochopiť návod na obsluhu.



Používajte chrániče sluchu



Používajte chrániče zraku



Strihač živého plotu pri práci vždy držte dvoma rukami.



Používajte protišmykové odolné rukavice.



Aby nedošlo k závažnému poraneniu, nedotýkajte sa rezných ostří.



Pozor na vymrštené alebo odletujúce objekty. Všetky okolostojace osoby (najmä deti a domáce zvieratá) musia stáť minimálne 15 m od miesta práce



Používajte len bezolovnatý benzín pre motorové vozidlá s oktanovým číslom 91 [(R + M)/2] a viac.



Poistná matica



Dôkladne zmiešajte palivo a mazivo pre 2-taktné motory pred doplnením paliva.



Na zníženie rizika poranenia alebo poškodenia sa vyhýbajte kontaktu s horúcim povrchom.



Stlačte primárnu banku 10-krát.



Nastavte páčku sýtiča do polohy „FULL“.



Nastavte páčku sýtiča do polohy „HALF“.





Nastavte páčku sýtiča do polohy „Run“.



Nechajte motor bežať na voľnobeh 10 sekúnd.



Poťahujte rukoväť štartéra, kým sa motor nespustí.



Štartovanie studeného motora



Štartovanie teplého motora



Ak chcete otočiť otočnú rúčku, potiahnite poistku vypínača otáčania rúčky. Otočte rúčku doprava alebo doľava a uvoľnite poistku vypínača otáčania rúčky. Otočnú rúčku otočte, až kým sa nezaistí v polohe 45° alebo 90°.



Stlačte poistku spúšte a regulačný spínač.



Predtým, ako skúste naštartovať jednotku, prepnite spínač do polohy „I“.



Vyhovuje všetkým regulačným normám v krajine EÚ, v ktorej bol výrobok zakúpený.



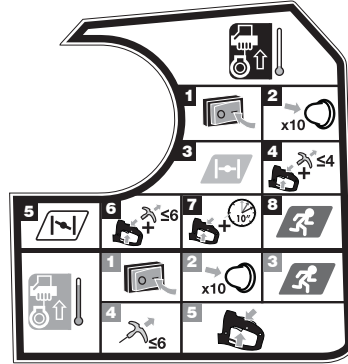
Euroázijská značka zhody



Ukrajinské označenie zhody



Garantovaná hladina akustického výkonu je 105 dB



POZNÁMKA: Položte strihač na zem a dbajte na to, aby v blízkosti neboli žiadne predmety alebo prekážky, ktoré by sa mohli dostať do kontaktu s ostriami.

Spustenie studeného motora:

1. Nastavte vypínač ON/OFF do polohy „I“.
2. Stlačte primárnu banku 10-krát.
POZNÁMKA: Po 7. stlačení by malo byť palivo viditeľné v primárnej banke. Ak nie, pokračujte v stláčaní, kým sa neukáže palivo.
3. Páčku sýtiča nastavte do polohy **I-I**.
4. Stlačte poistku spúšte a regulačný spínač. Poťahujte lanko štartéra, kým sa motor nenaštartuje. Neťahajte za rukoväť štartéra viac ako 4-krát.
5. Páčku sýtiča nastavte do polohy **I-II**.
6. Stlačte poistku spúšte a regulačný spínač. Poťahujte rukoväť štartéra, kým sa motor nespustí. Neťahajte za rukoväť štartéra viac ako 6-krát.
7. Stlačte poistku spúšte a regulačný spínač. Nechajte motor bežať na voľnobeh 10 sekúnd.
8. Páčku sýtiča nastavte do polohy **I-III**.

Spustenie teplého motora:

1. Nastavte vypínač ON/OFF do polohy „I“.
2. Stlačte primárnu banku 10-krát.
POZNÁMKA: Po 7. stlačení by malo byť palivo viditeľné v primárnej banke. Ak nie, pokračujte v stláčaní, kým sa neukáže palivo.
3. Páčku sýtiča nastavte do polohy **I-III**.
4. Ľavou rukou pevne uchopte a stlačte otočnú rúčku, spínač škrtiacej klapky a poistku spínača škrtiacej klapky. Poťahujte rukoväť štartéra, kým sa motor nespustí. Neťahajte za rukoväť štartéra viac ako 6-krát.
5. Stlačte poistku spúšte a regulačný spínač.

SYMBOLY V TOMTO NÁVODE



Diely alebo príslušenstvo predávané samostatne



Poznámka



Varovanie



Pri miešaním paliva alebo plnení
palivovej nádrže nefajčite.



Nebezpečenstvo požiaru.



Ak chcete výrobok zastaviť, stlačte a
podržte vypínač I/O v polohe „O“.

Nasledujúce značky a významy vysvetľujú úroveň rizika
spojeným s výrobkom.

⚠ NEBEZPEČENSTVO

Označuje bezprostredne nebezpečnú situáciu, ktorá
môže vyústiť v smrť, alebo vážne zranenie.

⚠ VAROVANIE

Označuje potenciálne nebezpečnú situáciu, ktorá môže
vyústiť v smrť, alebo vážne zranenie.

⚠ VÝSTRAHA

Označuje potenciálne nebezpečnú situáciu, ktorá môže
vyústiť v ľahké, alebo stredne ťažké zranenie.

VÝSTRAHA

Bez symbolu bezpečnostného alarmu

Označuje situáciu, ktorá môže zapríčiniť poškodenie
majetku.



URNÍK VZDRŽEVANJA					
	Pred každým použitím	Po 1-om mesiaci alebo po 20 hodinách prevádzky	Každé 3 mesiace alebo po 50 hodinách prevádzky	Každé 6 mesiace alebo po 100 hodinách prevádzky	Raz do roka alebo po 300 hodinách prevádzky
Kontrola maziva motora	■				
Výmena maziva motora		■		■	
Kontrola vzduchového filtra	■				
Vyčistíte vzduchový filter.			■		
Výmena vzduchového filtra					■
Kontrola/nastavenie zapalovacej sviečky				■	
Zamenjajte filter za gorivo					■
Kontrola/nastavenie voľnobežných otáčok					■
Vyčistíte mriežku lapača iskier.			■		
Vymeňte za nový lapač iskier.					■
Kontrola/nastavenie vôle ventilu ¹					■
Čistenie palivovej nádrže a filtra ¹				■	
Kontrola palivovej hadice	■				
Kontrola palivového filtra	■				
Zamenjajte filter za gorivo					■
Kontrola všetkých hadicových prípojok	■				
Revízia odvdzušňovacieho ventilu palivovej nádrže (ak je ním nádrž vybavená)	■				
Revízia nádrže s aktívnym uhlím (platí iba pre modely s karburátorom)	■				

1. Tieto body by mali byť vykonávané iba autorizovaným servisným strediskom.

POZNÁMKY:

- Ak sa výrobok používa na prašných miestach, údržbu je potrebné vykonávať častejšie.
- Ak výrobok prekročil maximálne hodnoty uvedené v tabuľke, údržbu je stále potrebné cyklicky vykonávať podľa uvedených časových intervalov alebo hodín.

RIEŠENIE PROBLÉMOV

Problém	Možná príčina	Riešenie
Motor sa nedá naštartovať.	Žiadna iskra.	Skontrolujte zapaľovanie. Vyberte zapaľovaciu sviečku. Znovu zapojte zapaľovaciu sviečku a položte zapaľovaciu sviečku na kovové puzdro. Zatiahnite za štartovacie lano a sledujte iskru na hrote zapaľovacej sviečky. Ak nie je žiadna iskra, zopakujte skúšku s novou zapaľovacou sviečkou.
	Žiadne palivo	Stláčajte gumový balónik, kým sa nenaplní palivom. Ak sa gumový balónik nenaplní palivom, obehový systém paliva je upchaný. Obráťte sa na servisného zástupcu. Ak sa gumový balónik naplní palivom, možno je zaplavený motor, prejdite na ďalší bod.
	Motor je zahľtený.	Rúčku štartéra potiahnite 3-krát, ak je páčka sýtiča v polohe  . Ak motor nenašartuje, nastavte páčku sýtiča do polohy sýtiča  a zopakujte postup štandardného spustenia. Ak sa aj napriek vykonaným úkonom nepodarí motor naštartovať, vykonajte celý postup ešte raz s novou zapaľovacou sviečkou.
	Štartovacie lanko sa ťažko vyťahuje.	Obráťte sa na servisného zástupcu.
Motor našartuje, ale nie je možné zvýšiť otáčky.	Motor potrebuje na zahriatie približne tri minúty.	Nechajte motor úplne sa zahriať. Ak ani po troch minútach motor nezrýchli, obráťte sa na zástupcu servisu.
Motor našartuje, ale beží na plný výkon iba v polootevorenej polohe.	Je potrebné zoradiť karburátor.	Obráťte sa na servisného zástupcu.
Motor nedosiahne plné otáčky alebo sa z neho dymí.	Zmes maziva/paliva je nesprávna.	Použite čerstvú palivovú zmes obsahujúcu správny pomer oleja pre dvojtaktné motory.
	Je znečistený vzduchový filter.	Vyčistite vzduchový filter. Podľa postupu Čistenie vzduchového filtra v tomto manuáli.
	Je znečistená mriežka lapača iskiek.	Obráťte sa na servisného zástupcu.
Naštartovanie, chod a zrýchlenie motora je normálne, ale nie je možné udržať voľnobeh.	Skrutka voľnobežných otáčok na karburátore vyžaduje nastavenie.	Obráťte sa na servisného zástupcu.

Безопасността, производителността и надеждността са аспектите, на които е отделен най-голям приоритет при проектирането на вашата бензинова ножица за жив плет.

ПРЕДНАЗНАЧЕНИЕ

Бензиновата ножица за жив плет е предназначена да се използва само от възрастни, които са прочели и разбрали указанията и предупрежденията в това ръководство и могат да се считат за отговорни за своите действия.

Продуктът е предназначен за използване само на открити и добре проветрени пространства. От съображения за сигурност, продуктът трябва да бъде управляван адекватно чрез работа с двете ръце.

Този продукт е предназначен за домашна или битова употреба. Той е предназначен за рязане и подрязване на жив плет, храсти и подобни растения със стъбла или клони не по-дебели от 28 мм. Трябва да се използва при сухи условия с добра осветеност.

Той НЕ е предназначен за рязане на трева, дървета или клони. Той не трябва да се използва за каквато и да е друга цел освен за подрязване на жив плет.

⚠ ПРЕДУПРЕЖДЕНИЕ

За да се избегнат сериозни физически наранявания, не използвайте този продукт, преди да сте прочели внимателно и да сте разбрали напълно ръководството за оператора. Запазете това ръководство и периодично го преглеждайте, за да се гарантира безопасното ви боравене с този продукт, както и за да инструктирате други лица, които ще го използват.

Запазете това ръководство.

ОБЩИ ПРЕДУПРЕЖДЕНИЯ ЗА БЕЗОПАСНОСТ

⚠ ПРЕДУПРЕЖДЕНИЕ

Прочетете всички предупреждения относно безопасността и всички инструкции. Неспазването на предупрежденията и инструкциите може да доведе до пожар и/или сериозни наранявания. Съхранявайте всички предупреждения и инструкции за бъдещи справки.

ПОДГОТОВКА

⚠ ПРЕДУПРЕЖДЕНИЕ

Този инструмент може да нанесе сериозни наранявания. Внимателно прочетете указанията за правилно боравене, подготовка, поддръжка, стартиране и спиране на машината. Запознайте се с всички контроли и с правилния начин за използване на продукта.

- Не позволявайте на деца или необучени лица да

използват този продукт.

- внимавайте за опасност от наземни кабели
- Дръжте всички странични наблюдатели, деца и животни на поне 15м. Никога не използвайте инструмента, докато наблизо има хора, особено деца или домашни любимци.
- Обличайте се целесъобразно. Не носете широки дрехи или бижута, които може да се захванат в движещите се части.

⚠ ПРЕДУПРЕЖДЕНИЕ

При работа с механизирани инструменти в очите могат да попаднат чужди частици, което може да доведе до сериозни увреждания в зрението. Преди да използвате уреда, винаги си слагайте предпазна маска, предпазни очила със странични екрани или маска за цялото лице, когато е необходимо. Препоръчваме WI de Vision Safety Mask (предпазна маска с широк изглед) за използване върху очила или стандартни защитни очила със странични екрани.

- Не боравете с уреда, докато сте боси, носите сандали или други леки обувки. Носете защитни обувки, които ще пазят краката ви и същевременно ще ви осигурят по-добра стабилност върху хлъзгави повърхности.

⚠ ПРЕДУПРЕЖДЕНИЕ

Бъдете изключително внимателни при боравене с горива. Бензинът е лесно запалим и парите са отровни и избухливи.

- Използвайте само такива съдове за гориво, които са одобрени за бензин.
- Пълненето с гориво трябва да се извършва, преди да се стартира двигателят. Не отваряйте капачката на резервоара за гориво и не добавяйте гориво, докато двигателят е в ход или е още горещ.
- Не пушете.
- Зареждайте с гориво само на открито. В никакъв случай не зареждайте с гориво в затворени помещения или в пространства със слаба вентилация. Дръжте уреда далеч от всякакви източници на възпламеняване, искри и пламъци.
- Изпразнете горивото от резервоара, преди да приберете уреда за съхранение в затворено помещение, в което има запалителни източници, като например бойлери, отоплителни печки, сушилни и др. подобни.
- Почистете инструмента, ако сте разсипали гориво. Преместете се на разстояние 9 m (30 ft) от мястото на зареждане, преди да стартирате двигателя.
- Поставете обратно и затегнете капачките на резервоара и съдовете за гориво.
- Ако източвате горивния резервоар, правете го само на открито.
- Ако режещият механизъм попадне на външно тяло или машината започне да произвежда необичайни

звучи или вибрации, изключете я незабавно и изчакайте да спре. Разкачете проводника на свещта от свещта и следвайте долните стъпки:

- огледайте повредата
- Проверете за незатегнати детайли и при необходимост ги затегнете.

Поправете или заменете повредените части с други, които са с еквивалентни характеристики.

⚠ ПРЕДУПРЕЖДЕНИЕ

This product is noisy when operating. За да се намали рискът от дългосрочно увреждане на слуха, трябва да се носят антифони.

⚠ ПРЕДУПРЕЖДЕНИЕ

Винаги носете защитна маска или защитни очила със странични екрани, когато боравите с този инструмент. Несъобразяването с това предупреждение може да доведе до попадане на чужди частици в очите ви и евентуални сериозни наранявания.

- За да спрете двигателя при аварийна ситуация: Натиснете превключвателя за включване/изключване на позицията (O).

РАБОТА

- Винаги спирайте двигателя, разкачайте проводника на свещта, изчакайте уреда да се охлади и проверете дали всички движещи се части са спрели напълно преди:
 - Зареждане на резервоара
 - настройване на работната позиция или позицията на задната ръкохватка
 - оставяне на продукта без надзор
 - почистване на продукта
 - смяна на принадлежностите
 - отстраняване на запушвания
 - проверка за повреда след удряне на обект
 - Проверка за повреда, ако продуктът започне да вибрира необичайно
 - извършване на профилактика
- Стартирайте двигателя само когато ножицата за жив плет е в безопасна позиция за работа. Производителят препоръчва уредът да се поставя на земята на място, където остриетата не могат да влязат в контакт с нищо, преди да се стартира двигателят.
- При използване на ножицата за жив плет протягайте и не стъпвайте върху нестабилни повърхности. Винаги стъпвайте стабилно по време на работа и пазете равновесие. Производителят не препоръчва използването на стъпала или стълби по време на работа. Ако е необходимо да режете на по-голяма височина, използвайте подходящ удължител.
- Не използвайте машината, ако режещото ѝ устройство е повредено или прекомерно износено.
- За да намалите рисковете от пожар, не позволявайте двигателят и заглушителят да се замърсяват с

отломки, листа или прекомерна смазочна течност.

- По време на работа с този инструмент трябва да са монтирани всички ръкохватки и предпазители. Никога не се опитвайте да използвате продукт с липсващи части или ако са направени неразрешени модификации.
- Винаги използвайте двете си ръце, за да работите с инструмента, когато е снабден с две ръкохватки.
- Запознайте се със заобикалящата ви среда и предугадете опасностите, които може да не забележите поради шума от машината.

ДОПЪЛНИТЕЛНО ПРЕДУПРЕЖДЕНИЕ

- Не стартирайте двигателя в затворени помещения, където може да се натрупа опасен въглероден оксид. Въглеродният монооксид, газ, който е безцветен, без мирис и е изключително опасен, може да доведе до загуба на съзнание или смърт.
- Не използвайте този продукт, ако сте уморени, болни или под влиянието на алкохол, наркотици или лекарства.
- Преди всяка употреба проверявайте дали всички контроли и устройства за безопасност функционират правилно. Не използвайте продукта, ако превключвателят "OFF" ("Изключване") не спира мотора. Повредените превключватели следва да се заменят от оторизиран сервис.
- Преди всяка употреба проверявайте машината за неизправности. Проверявайте за разхлабени свързки, течове на гориво и др. Не използвайте уреда, ако има теч на гориво или ако ръкохватките и предпазителите не са закрепени или не функционират.
- Дългата коса трябва да бъде прибрана на ниво над раменете, за да се избегне нейното заплитане в движещите се части.
- Не използвайте тази машина при слабо осветление. Операторът трябва да има чиста видимост върху работното пространство, за да идентифицира потенциални опасности.
- Винаги почиствайте работното пространство, преди да използвате уреда. Отстранете всички чужди предмети, като пощенски кутии, кабели или върви, които могат да повредят или да се заплетат в движещите се части или режещия механизъм.
- Винаги проверявайте за хора и животни зад или в плета/храста, който възнамерявате да режете. Ако наблизо се работи с подобни уреди, това увеличава както риска от увреждане на слуха, така и вероятността други хора да навлязат във вашето работно пространство.
- Периодично проверявайте дали всички гайки, болтове и винтове са правилно затегнати, за да сте сигурни, че продуктът е в изправност. Всяка повредена част трябва да бъде поправена или заменена от упълномощен сервизен център.



⚠ ПРЕДУПРЕЖДЕНИЕ

Когато дроселният спусък е отпуснат и двигателят работи на празен ход, режещата приставка или острието не трябва да се движи. Ако тя продължава да се движи, съществува риск от сериозно нараняване на оператора. Не използвайте машината. Върнете я в оторизиран сервизен център, където да бъде регулирана от специалисти.

- Не докосвайте областта около заглушителя или двигателя на уреда, тези части се нагорещават много по време на работа.
- По никакъв начин не модифицирайте izdeliето.
- Не насилвайте хростореза през прекалено гъст храсталак. Това може да причини задръстване в остриетата и ги забави. Ако остриетата се забавят, намалете темпото.
- Не режете стръкове и клонки, които са по-дебели от 28 мм или са очевидно прекалено големи, за да влезат между зъбите на острието. Използвайте обикновен ръчен трион или трион за кастрене, за да подрязвате дебели стъбла.
- Ако двигателят работи или е нагрял, трябва да стои настрана от запалими материали, за да се намали рискът от подпалване.

TRANСПОРТИРАНЕ И СЪХРАНЕНИЕ

- Спрете машината и я оставете да се охлади, преди да я съхранявате или транспортирате.
- Почистете продукта от всички чужди частици.
- Покривайте острието с предпазителя за него (ножница).
- Изсипете останалото в резервоара гориво в съд, одобрен за съхранение на бензин. Не забравяйте да поставите обратно и да затегнете капачката за горивото.
- Пуснете двигателя да работи, докато спре. Така ще се премахне цялото гориво, което може да се втвърди и да запуши горивната система.
- Съхранявайте продукта на хладно, сухо и добре проветриво място, недостъпно за деца и далеч от източници на възпламеняване.
- Не го оставяйте в близост до корозивни материали като градински химикали или соли за размразяване.
- Не съхранявайте на открито.
- Когато транспортирате продукта, го обезопасете така, че да не може да се движи или да падне, защото това може да доведе до евентуални наранявания на хора или повреди по продукта.
- Никога не носете или транспортирайте продукта, докато работи.
- Проверете какви са националните и местните разпоредби за съхранение и работа с горива.

Краткосрочно съхранение (по-малко от 1 месец)

- Спрете двигателя и го оставете да изстине, преди да приберете продукта за съхранение.
- Покривайте острието с предпазителя за него (ножница).

- Съхранявайте продукта на хладно, сухо и добре проветриво място, недостъпно за деца и далеч от източници на възпламеняване.
- Не го оставяйте в близост до корозивни материали като градински химикали или соли за размразяване.
- Не съхранявайте на открито.

ПОДДРЪЖКА

⚠ ПРЕДУПРЕЖДЕНИЕ

Сервизното обслужване изисква изключително внимание и специфични познания и следва да бъде извършвано само от квалифициран техник. За обслужване или ремонтване на продукта трябва да го занесете в най-близкия оторизиран сервизен център. При ремонт използвайте само идентични резервни части.

⚠ ПРЕДУПРЕЖДЕНИЕ

Остриетата са много остри. Докато сглобявате режещия механизъм, носете здрави, неплъзгащи се защитни ръкавици. Не поставяйте ръката или пръстите си между остриетата или в позиция, в която могат да бъдат прещипани или порязани. Никога не докосвайте остриетата и не обслужвайте уреда, докато е свързан проводникът на запалителната свещ.

⚠ ПРЕДУПРЕЖДЕНИЕ

В никакъв случай не позволявайте пластмасовите части да влизат в контакт със спирални течности, нефтени продукти, проникващи масла и т.н. Химикалите могат да повредят, отслабят или унищожат пластмасата, което може да доведе до сериозни физически наранявания.

⚠ ПРЕДУПРЕЖДЕНИЕ

Не опитвайте да промените този продукт или да създавате принадлежности, които не са препоръчани за употреба с него. Всяка подобна поправка или промяна е некоректна употреба и може да създаде опасни условия и да нанесе сериозни физически наранявания.

- Можете да правите настройки и поправки, описани в това ръководство на потребителя. За други поправки се свържете с агент на упълномощения сервиз.
- Последниците от неправилна поддръжка могат да включват прекомерно отлагане на сажди, което води до загуба на производителност и изпускане на черни мазни остатъци, които капят от шумозаглушителя.
- След всяко използване почиствайте корпуса и дръжките на уреда с мека и суха кърпа.
- След всяко използване почиствайте остриетата



от отломки с твърда четка, след което смазвайте с препарат против ръжда, преди да монтирате отново протектора на острието. Производителят препоръчва да използвате смазочен спрей против ръжда, за да можете да приложите препарата равномерно и да намалите риска от нараняване при евентуален контакт с остриетата. За повече информация относно подходящ смазочен спрей се обърнете към вашия местен оторизиран сервизен център.

- Преди да използвате уреда, можете да смажете леко остриетата, като използвате описания по-горе метод.
- Периодично проверявайте дали всички гайки, болтове и винтове са правилно затегнати, за да сте сигурни, че продуктът е в изправност. Всяка повредена част трябва да бъде поправена или заменена от упълномощен сервизен център.

СМЯНА НА ОСТРИЕТАТА

- Периодично проверявайте остриетата за щети и износване. Поправянето или заменянето на повредени остриета трябва да се извършват само от оторизирани сервиси.

ИЗЧИСТВАНЕ НА ЗАПУШВАНЕ

- Спрете двигателя и изчакайте, докато всички движещи се части спрат.
- Откачете проводника на запалителната свещ.
- Остриетата са много остри. Когато работите в близост до остриетата, носете здрави ръкавици.
- Внимателно почистете запушвания или остатъците около остриетата или движещите се части.

НЕПРЕДВИДЕНИ РИСКОВЕ

Дори когато продуктът се използва по предназначение, е невъзможно напълно да се ограничи влиянието на определени рискови фактори. Рисковете, описани по-долу, може да възникнат по време на употреба и операторът трябва да внимава за избягването на следното:

- Наранявания, причинени от контакт с режещия механизъм
 - Уверете се, че предпазителите на остриетата са поставени, когато продуктът не се използва. Винаги дръжте ръцете и краката си далече от остриетата.
- Нараняване, причинено от вибрация.
 - Винаги използвайте подходящия инструмент за съответната дейност и предназначенията за целта ръкохватки, като ограничавате времето на работа и излагането на рискове. Прегледайте раздела „Намаляване на риска“ в настоящото ръководство.
- Увреждане на слуха в следствие на излагане на шум.
 - Носете антифони и ограничете излагането.
- Наранявания на очите в следствие на летящи отломки.

- По всяко време носете защитни средства за очите.
- Нараняване, причинено от падащи предмети.
 - Ако работите в зона, където съществува риск от падащи предмети, трябва да носите каска.

НАМАЛЯВАНЕ НА РИСКА

Известно е, че вибрациите, произвеждани от ръчни инструменти може да предизвикат у някои индивиди заболяване, наречено Синдром на Рейнолд (Raynaud's Syndrome). Симптомите може да включват изтръпване, схващане и изbledняване на пръстите, обикновено се забелязват при излагане на студ. Смята се, че наследствените фактори, излагането на студ и влага, диетите, пушенето и някои работни навици допринасят за развитието на тези симптоми. Могат да се вземат някои мерки, които могат да се предприемат от оператора, за да се намалят ефектите от вибрациите:

- Поддържайте телесната температура в студено време. Когато работите с продукта, носете ръкавици, за да поддържате ръцете и китките си топли. Според изследванията главният фактор, допринасящ за развитието на Raynaud's Syndrome, е студеното време.
- Правете упражнения за активизиране на кръвообращението след всеки работен цикъл.
- Редовно излизайте в почивка. Ограничете излагането на вибрации на ден.

При поява на някой от симптомите на това заболяване, незабавно прекратете употребата на инструмента и посетете лекар.

⚠ ПРЕДУПРЕЖДЕНИЕ

Продължителното използване на инструмента може да доведе до наранявания или влошаване. При използване на инструмента за продължителни периоди от време правете чести почивки.

ОПОЗНАЙТЕ ВАШИЯ ПРОДУКТ

Вж. страница 191.

1. Плъзгач за дросела
2. Ръчка на стартера
3. Предпазно приспособление
4. Предна ръкохватка
5. Стартер на запалителната свещ
6. Ръчка на стартера
7. Острие
8. Капак на въздушния филтър
9. Копче за капака на кутията за въздушния филтър
10. Капачка за гориво
11. Заклучващ механизъм за въртяща се дръжка
12. Лост за скоростта
13. Въртяща се ръкохватка
14. Фиксатор на дроселния спусък
15. Превключвател (за стартиране и спиране)
16. Калъф

СИМВОЛИ НА ПРОДУКТА



Предупреждение относено безопасността



За да се намали опасността от наранявания, потребителят трябва да прочете и да разбере ръководството за оператора, преди да използва този продукт.



Носете антифони



Носете защитни средства за очи



Винаги дръжте ножицата за жив плет с две ръце, докато работите.



Носете здрави ръкавици, пригодени против плъзгане.



За да избегнете сериозно физическо нараняване, не докосвайте режещите остриета.



Внимавайте за изхвърлени или летящи обекти. Не допускайте странични наблюдатели, особено деца и домашни животни, на малко от 15 м от работната зона.



Използвайте безоловен бензин за автомобили, с октаново число 91 ((R+M)/2) или по-високо.



Използвайте масло за 2-тактови двигатели с въздушно охлаждане.



Смесете горивото и маслото за двутактов двигател щателно преди презареждане.



За да намалите опасността от нараняване или повреда, избягвайте контакт с нагорещените повърхности.



Натиснете помпата за подкачване на горивото 10 пъти.



Поставете дроселния лост на позиция "FULL" (Пълно).



Поставете дроселния лост на позиция "HALF" (Наполовина).



Поставете дроселния лост на позиция "RUN" (Работи).



Оставете продукта да работи на празен ход в продължение на 10 секунди.



Издърпайте ръкохватката на стартера, докато двигателят се стартира.



Стартиране при студен двигател



Стартиране при топъл двигател



За да завъртите въртящата се ръкохватка, издърпайте фиксатора на спуска за завъртането ѝ. Завъртете ръкохватката надясно или наляво, за да освободите фиксатора на спуска за завъртането ѝ. Продължавайте да въртите ръкохватката, докато не щракне в позиция на 45° или 90°.



Натиснете фиксатора на спуска и дроселния спусък.



Поставете ключа в позиция „I“, преди да се опитате да стартирате уреда.



Тази машина е в съответствие с нормативната уредба на държавата от ЕС, където е била закупена.



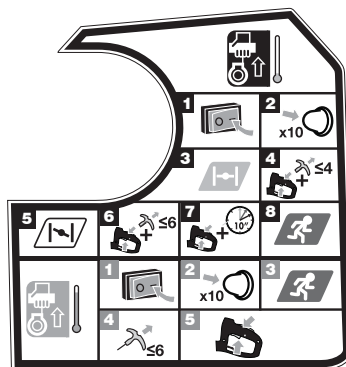
EurAsian знак за съответствие



Украински знак за съответствие



Гарантираното ниво на шум е 105 dB.



ЗАБЕЛЕЖКА: Поставете тримера на равна земя, като се уверите, че в близост няма предмети или пречки, които биха могли да влязат в съприкосновение с

остриетата.

За да стартирате студен двигател:

1. Задайте пусковия прекъсвач на позиция „I“.
2. Натиснете помпата за подкачване на горивото 10 пъти.
ЗАБЕЛЕЖКА: След 7-то натискане горивото трябва да се вижда в помпата за подкачване. В противен случай продължете да натискате, докато видите горивото.
3. Поставете дроселния лост на позиция **I**.
4. Натиснете фиксатора на спусъка и дроселния спусък. Издърпайте дръжката за стартиране, докато двигателят заработи. Не дърпайте ръкохватката на стартера повече от 4 пъти.
5. Поставете дроселния лост на позиция **I**.
6. Натиснете фиксатора на спусъка и дроселния спусък. Издърпайте ръкохватката на стартера, докато двигателят се стартира. Не дърпайте ръкохватката на стартера повече от 6 пъти.
7. Натиснете фиксатора на спусъка и дроселния спусък. Оставете продукта да работи на празен ход в продължение на 10 секунди.
8. Поставете дроселния лост на позиция **I**.

За да стартирате топъл двигател:

1. Задайте пусковия прекъсвач на позиция „I“.
2. Натиснете помпата за подкачване на горивото 10 пъти.
ЗАБЕЛЕЖКА: След 7-то натискане горивото трябва да се вижда в помпата за подкачване. В противен случай продължете да натискате, докато видите горивото.
3. Поставете дроселния лост на позиция **I**.
4. Натиснете и хванете въртящата се ръкохватка, дроселния спусък и фиксатора на дроселния спусък здраво с лявата си ръка. Издърпайте ръкохватката на стартера, докато двигателят се стартира. Не дърпайте ръкохватката на стартера повече от 6 пъти.
5. Натиснете фиксатора на спусъка и дроселния спусък.

СИМВОЛИ В НАСТОЯЩОТО РЪКОВОДСТВО



Частите или принадлежностите се продават отделно



Забележка



Предупреждение



Не пушете, докато смесвате гориво или пълните резервоара.



Риск от пожар.



За да спрете инструмента, натиснете и задръжте пусковия прекъсвач на позиция „O“.

Следните сигнални думи и значенията им са предназначени да обяснят нивата на опасност, свързани с този продукт.

⚠ ОПАСНОСТ

Указва неминуемо опасна ситуация, която ако не бъде избегната, ще доведе до сериозни наранявания или смърт.

⚠ ПРЕДУПРЕЖДЕНИЕ

Указва потенциално опасна ситуация, която ако не бъде избегната, може да доведе до сериозни наранявания или смърт.

⚠ ВНИМАНИЕ

Указва потенциално опасна ситуация, която ако не бъде избегната, може да доведе до дребни или средни наранявания.

ВНИМАНИЕ

Без предупредителен символ за безопасност

Указва ситуация, която може да доведе до имуществени щети.

ГРАФИК ЗА ПОДДРЪЖКА

	Преди всяка употреба	След първия месец или 20 часа експлоатация	На всеки 3 месеца или 50 часа експлоатация	На всеки 6 месеца или 100 часа експлоатация	Всяка година или след 300 часа експлоатация
Проверете смазочната течност на двигателя	■				
Сменете смазочната течност на двигателя		■		■	
Проверете въздушния филтър	■				
Почистете въздушния филтър.			■		
Сменете въздушния филтър					■
Проверете/регулируйте свещта				■	
Смяна на горивен филтър					■
Проверете/регулируйте скоростта на празен ход					■
Почистете искрогасителната решетка.			■		
Сменете с нов искрогасителен екран.					■
Проверете/коригирайте хлабината на клапана ¹					■
Почистете резервоара за гориво и филтъра ¹				■	
Проверете маркуча за гориво	■				
Проверете горивния филтър	■				
Смяна на горивен филтър					■
Проверете всички връзки на маркучите	■				
Инспектирайте отдушника за пари на резервоара за гориво (ако има такъв)	■				
Проверете въглеродния контейнер (само за модели с карбуратор)	■				

1. Тези операции трябва да се извършват само от оторизиран сервизен център.

ЗАБЕЛЕЖКИ:

- Когато уредът се използва в прашни пространства, профилактиката му трябва да се извършва по-често.
- Когато уредът надвиши максималните стойности според таблицата, поддръжката трябва да запази своя цикличен характер и да се извършва в съответствие с посочените тук времеви интервали.



ОТСТРАНЯВАНЕ НА ПРОБЛЕМИ

Проблем	Възможна причина	Решение	
Двигателят не стартира.	Няма искра.	Проверете дали има искра. Извадете свещта. Поставете обратно капачката на запалителната свещ върху металния цилиндър. Дръпнете въжето на стартера и следете за искра на върха на запалителната свещ. Ако няма такава, повторете теста с нова запалителна свещ.	
	Няма гориво	Натиснете бутона за подкачване на гориво, докато се напълни с гориво. Ако бутонът не се напълни, главната горивопреосна система е блокирана. Свържете се със сервизния представител. Ако бутонът се напълни, двигателят може да се задави, преминете към следващата точка.	
	Двигателят е задавен.	Дръпнете лоста за стартиране 3 пъти, като дроселният лост е на позиция \mathcal{K} . Ако двигателят не се стартира, поставете дроселния лост на позиция I-I и повторете стандартната процедура за стартиране. Ако двигателят отново не тръгне, повторете различните етапи с нова свещ.	
Моторът се стартира, но не ускорява.	Въжето на стартера се дърпа трудно.	Свържете се със сервизния представител.	
	Необходими са около три минути, за да загрее двигателят.	Изчакайте, докато двигателят загрее напълно. Ако двигателят не се ускори след три минути, свържете се със сервизен представител.	
	Двигателят се стартира, но работи на висока скорост само на полу-дросел.	Свържете се със сервизния представител.	
	Двигателят не достига максимална мощност и/или изпуска твърде много дим.	Съотношението бензин/масло в горивната смес е неправилно.	Използвайте прясно смесено гориво с правилно съотношение на масло за двутактови двигатели
		Въздушният филтър е замърсен.	Почистете въздушния филтър. Вж. Почистване на Въздушния филтър в раздела Поддръжка в това ръководство.
		Искрогасителната решетка е замърсена.	Свържете се със сервизния представител.
	Двигателят тръгва, работи и ускорява, но не поддържа празен ход.	Необходимо е регулиране на скоростта при празен ход посредством винта на карбуратора.	Свържете се със сервизния представител.



Головними міркуваннями при розробці цього бензинового кущоріза були безпека, ефективність та надійність.

ПЕРЕДБАЧУВАНОМУ ВИКОРИСТАННІ

Бензиновий кущоріз призначений для використання тільки дорослими, які повністю прочитали та зрозуміли інструкції та попередження у цьому керівництві, і можуть вважатися відповідальними за власні дії

Продукт призначений тільки для використання на відкритому повітрі у добре провітряній області. Задля безпеки керування інструментом має здійснюватися обома руками.

Продукт призначений для домашнього або місцевого використання. Призначений для обрізання живоплотів, чагарників і тому подібної рослинності зі стеблами або товстими гілками менше ніж 28 мм. Він повинен бути використаний у сухих, добре освітлених умовах.

Він не призначений для скошування трави, дерев або гілок. Він не повинен бути використаний для інших цілей, ніж підрізання живоплоту.

⚠ ПОПЕРЕДЖЕННЯ

Щоб уникнути серйозних травм, не намагайтеся використовувати цей продукт, поки ви повністю не прочитали і повністю не зрозуміли інструкцію з експлуатації. Збережіть посібник оператора і переглядайте часто для продовження безпечної експлуатації та інструктаж тих, хто може використовувати цей продукт.

Збережіть ці інструкції.

ЗАГАЛЬНІ ЗАХОДИ БЕЗПЕКИ

⚠ ПОПЕРЕДЖЕННЯ

Прочитайте всі правила безпеки та інструкції. Недотримання попереджень та інструкцій може призвести до ураження електричним струмом, пожежі та / або серйозної травми. Збережіть всі інструкції і вказівки для майбутнього використання.

ПІДГОТОВКА

⚠ ПОПЕРЕДЖЕННЯ

Цей кущоріз може спричинити серйозні травми. Уважно прочитайте інструкцію для правильного поводження, підготовки, технічного обслуговування, запуску та зупинки кущоріза. Добре ознайомтеся з органами управління та правильним використанням машини.

- Не дозволяйте дітям або ненавченим людям користуватися пристроєм.
- Остерігайтеся ліній електропередачі над головою.
- Тримайте всіх перехожих, дітей, і домашніх тварин, щонайменше на 15 м від робочої зони. Ніколи не використовуйте продукт, коли люди, особливо діти,

або домашні тварини знаходяться неподалік.

- Одягайтеся правильно. Заборонено вдягати просторий одяг та прикраси; вони можуть потрапити до рухомих частин пристрою.

⚠ ПОПЕРЕДЖЕННЯ

Робота з будь-яким електроінструментом може призвести до потрапляння в очі сторонніх предметів, що може спричинити серйозну травму очей. Перед експлуатацією пристроєм обов'язково одягніть захисні окуляри або захисні окуляри з боковими щитками, або, при необхідності, повний лицьовий щиток. Руьоби рекомендує одягати захисну маску з широким оглядом поверх окулярів або стандартні захисні окуляри з боковими щитками.

- Не працювати босоніж, в сандалях або аналогічному легкому взутті. Взувайте нековзне захисне взуття, яке захистить ноги і поліпшить стійкість на слизьких поверхнях.

⚠ ПОПЕРЕДЖЕННЯ

Проявляйте крайню обережність при поводженні з паливом. Бензин є легкозаймистою речовиною, а його пари є токсичними і вибуховими.

- Використовуйте тільки спеціальні контейнери для бензину.
- Заливати паливо перед вмиканням двигуна. Заборонено знімати кришку паливного бака або доливати паливо, коли двигун працює або коли він гарячий.
- Не палити.
- Завжди доливати паливо на відкритому повітрі. Заборонено заправляти у приміщенні або у погано провітряній місці. Тримати подалі від джерел займання, іскор і полум'я.
- Ніколи не зберігайте пристрій з паливом у паливному баку всередині будівлі, де зберігаються різні джерела займання, наприклад, водяне опалення, нагрівальні прилади, сушарки для одягу і т.п..
- Витріть пролите паливо на приладі. Відійдіть на 9 м від сіця заправки, перед запуском двигуна.
- Надійно встановіть на місце всі кришки паливного баку та контейнера.
- Якщо паливний бак повинен бути злитий, це повинно бути зроблено на відкритому повітрі.
- Якщо ріжучий механізм ударяється о сторонній предмет або виріб починає видавати незвичайний шум або вібрацію, вимкніть виріб та дайте різакам повністю зупинитися. Від'єднайте провід свічки запалювання від свічки запалювання і виконайте наступні дії:
 - перевірити на наявність пошкоджень
 - перевірити і затягнути послаблені частиниПошкоджені деталі повинні бути відразу відремонтовані або замінені частинами, що мають еквівалентні характеристики.

⚠ ПОПЕРЕДЖЕННЯ

Цей прилад дуже шумний в експлуатації. Щоб знизити ризик довгострокового травмування слуху, використовуйте засоби захисту слуху.

⚠ ПОПЕРЕДЖЕННЯ

Завжди одягайте звичайні захисні окуляри або захисні окуляри з боковими щитками при роботі з цим інструментом. Недотримання цього правила може призвести до відсакування об'єктів у очі, що може призвести до серйозних травм.

- Зупинка двигуна у аварійній ситуації: Переведіть вимикач у положення "вимкнено" (O).

ФУНКЦІОНУВАННЯ

- Завжди вимикайте двигун, зняти ковпачок зі свічки запалювання, дати йому охолонути, і переконатися, що всі рухомі частини повністю зупинилися перед:
 - Не палити.
 - регулюванням робочого положення або положення задньої ручки;
 - залишанням продукту без нагляду
 - очищенням продукту
 - заміною аксесуарів;
 - видаленням перешкод
 - перевіркою на будь-яке пошкодження після удару об'єкта
 - перевіркою на будь-яке ушкодження, якщо продукт починає ненормально вібрувати
 - виконанням технічного обслуговування
- Запускати двигун приладу для обрізання живоплоту можна тільки коли він знаходиться в безпечному робочому положенні. Виробник рекомендує, перш ніж запустити двигун поставити пристрій на землю, коли леза не будуть нічого торкатися.
- Під час роботи з кущорізом не перенапружуйтеся та майте стійку опору. Зберігайте правильну стійку і баланс весь час. Виробник не рекомендує використовувати сходи або дробини. Якщо потребується обрізання на висоті, скористайтеся подовжувачем.
- Не використовуйте прилад з пошкодженим або надмірно зношеним ріжучим пристроєм.
- Для зниження пожежонебезпеки не допускайте попадання у двигун та глушник сміття, листя або надлишків мастила.
- Завжди перед використанням кущоріза спочатку перевірте чи всі ручки та захисні частини прикріплені. Ніколи не намагайтеся використовувати не повністю зібраний кущоріз або кущоріз зі зміненою модифікацією.
- Завжди тримайте кущоріз обома руками, його спеціально обладнано двома ручками.
- Ознайомтеся з оточуючим середовищем і будьте напоготові на випадок можливих небезпек, які ви можете не помітити через шум від кущоріза.

ДОДАТКОВІ ЗАСТЕРЕЖЕННЯ

- Не вмикайте двигун в обмеженому просторі, де можуть збиратися небезпечні пари угарного газу. Окис вуглецю - це безбарвний газ, без запаху і надзвичайно небезпечний, який може призвести до втрати свідомості або смерті.
- Не використовуйте цю машину, якщо ви втомилися, хворі, або під впливом алкоголю, наркотиків або ліків.
- Перед кожним використанням переконайтеся, що всі елементи керування і безпеки функціонують правильно. Не використовуйте машину, якщо вимикач "ВИМК" не зупиняє машину. Несправний вимикач повинні бути правильно відремонтовані або замінені в авторизованому сервісному центрі.
- Огляньте виріб перед кожним використанням. Переконайтеся у відсутності протікання палива або послаблених кріплень тощо. У разі витоку палива, пошкодження або не повної функціональності користуватися приладом заборонено.
- Зафіксуйте довге волосся вище рівня плеча, щоб запобігти заплутуванню в будь-яких рухомих частинах.
- Не використовуйте при поганому освітленні. Оператор потрібне чіткий огляд робочої області, щоб визначити потенційні небезпеки.
- Очистіть робочу зону перед кожним використанням. Приберіть всі сторонні предмети, такі як опори, дроти або волосін, в яких можуть заплутатися або пошкодитися рухомі частини або насадки для різання.
- Постійно перевіряйте наявність осіб або тварин за або всередині будь-якого живоплоту або куща, що ви збираєтеся обрізати. Операції з аналогічними інструментами неподалік збільшує ризик травми слуху і можливість потрапляння інших осіб у робочу зону.
- Перевірте всі гайки, болти і гвинти після короткого проміжка часу на правильну герметичність, щоб забезпечити продукт у безпечному робочому стані. Будь-яка пошкоджена деталь, має бути правильно відремонтована або замінена в авторизованому сервісному центрі.

⚠ ПОПЕРЕДЖЕННЯ

Після відпускання важеля газу, коли двигун працює на холостому ходу, ріжуча насадка або ніж не повинні рухатися. Якщо вона продовжує рухатися існує ризик важкої травми оператора. Не використовуйте продукт. Зверніться до авторизованого сервісного центру для відрегулювання карбюратору.

- Не торкайтеся області навколо вихлопних газів, глушника або блоку двигуна; ці частини перегріваються під час роботи.
- В жодному разі не видозмінюйте прилад.
- Не проштовуйте трімер для живоплоту на держалі через масивні чагарники. Це може призвести



до заплутування лез і сповільнення. Якщо леза сповільнюються, зменшіть темп.

- Не намагайтеся різати стебла або гілочки, які товщиною більше 28 мм, або ті, очевидно, занадто великі, щоб поміститися в ріжучому лезі. Використовуйте ручну пилу без живлення або ножівку для обрізки великих стовбурів.
- Щоб знизити ризик виникнення пожежі слід тримати прилад з працюючим двигуном або глушником подалі від горючих матеріалів.

ТРАНСПОРТУВАННЯ ТА ЗБЕРІГАННЯ

- Зупиніть машину і дайте їй охолонути, перед зберіганням або транспортуванням.
- Очистіть всі сторонні матеріали з продукту.
- Закрийте лезо захисним щитком для леза (чохол)
- Злийте все паливо з бака в контейнер затверджений для бензину. Пам'ятайте, що треба замінити та затягнути кришку паливного бака належним чином.
- Запустіть двигун, поки він не зупиниться. Це дозволить видалити усе паливо, яке може бути несвіжим і залишити лак і гуму в паливній системі.
- Зберігайте прилад в прохолодному, сухому, добре провітрюваному, недоступному для дітей місці, подалі від джерел займання.
- Зберігати подалі від агресивних агентів, таких як садові хімікати і солей проти обледеніння.
- Не зберігайте на відкритому повітрі.
- Для транспортування, забезпечіть машину від руху або падіння, щоб запобігти травми людей або пошкодження машини.
- Ніколи не носіть або транспортуйте пристрій, поки двигун працює.
- Дотримуйтеся усіх державних і місцевих правил та норм щодо безпечного зберігання та використання бензину.

Короткострокове зберігання (менше ніж 1 місяць)

- Перед зберіганням вимкніть двигун і дайте йому охолонути.
- Закрийте лезо захисним щитком для леза (чохол)
- Зберігайте прилад в прохолодному, сухому, добре провітрюваному, недоступному для дітей місці, подалі від джерел займання.
- Зберігати подалі від агресивних агентів, таких як садові хімікати і солей проти обледеніння.
- Не зберігайте на відкритому повітрі.

ТЕХНІЧНЕ ОБСЛУГОВУВАННЯ

⚠ ПОПЕРЕДЖЕННЯ

Обслуговування вимагає крайньої обережності і знання і повинно бути виконане тільки кваліфікованим фахівцем. Для обслуговування та ремонту, ви повинні повернути продукт в найближчий авторизований сервісний центр. При технічному обслуговуванні використовуйте тільки ідентичні заміні частини.

⚠ ПОПЕРЕДЖЕННЯ

Леза дуже гострі. При обслуговуванні вузла лез, надягайте неслизкі, надмічні захисні рукавички. Не кладіть руку або палець між лезами або в будь-якому положення, де вони можуть бути защемлені або порізані. Ніколи не торкайтеся лез або не обслуговуйте прилад зі свічками запалення коли він підключений.

⚠ ПОПЕРЕДЖЕННЯ

Завжди уникайте контакту гальмівної рідини, бензину, продуктів на основі бензину або просочувального мастила з пластиковими деталями. Хімікати можуть пошкодити, розм'якшити або зруйнувати пластик, що може призвести до серйозної травми.

⚠ ПОПЕРЕДЖЕННЯ

Не намагайтеся модифікувати інструмент або створити аксесуари, не рекомендовані для використання з цим пристроєм. Будь-яка трансформація або зміна такого роду вважається неналежним використанням і може у умовах ризику призводити до отримання можливої серйозної травми.

- Ви можете зробити регулювання та ремонт, описані в цьому посібнику користувача. Для інших ремонтних робіт, зверніться до авторизованого сервісного агента.
- Наслідки неправильного технічного обслуговування можуть включати в себе надлишкові відкладення вуглецю, що призводить до втрати продуктивності і випуску чорного маслянистого залишку крапель з глушника.
- Після кожного використання, очистіть основну частину і ручки продукту м'якою сухою тканиною.
- Після кожного використання, очистіть леза від сміття жорсткою щіткою, а потім ретельно нанесіть мастило від іржі перед установкою протектора леза. Виробник рекомендує використовувати антикорозійний та змащувальний спрей для нанесення рівним шаром та зменшення ризику травм внаслідок контакту з лезами. Для отримання інформації про відповідний аерозольний продукт, зв'яжіться з вашим місцевим уповноваженим сервісним центром.
- Ви можете злегка змащувати леза перед використанням, якщо необхідно, використовуючи метод, описаний вище.
- Перевірте всі гайки, болти і гвинти після короткого проміжка часу на правильну герметичність, щоб забезпечити продукт у безпечному робочому стані. Будь-яка пошкоджена деталь, має бути правильно відремонтована або замінена в авторизованому сервісному центрі.

EN
FR
DE
ES
IT
NL
PT
DA
SV
FI
NO
RU
PL
CS
HU
RO
LV
LT
ET
HR
SL
SK
BG
UK
TR





ЗАМІНА ЛЕЗА

- Періодично оглядайте ножі на предмет пошкоджень та зносу. Кожна пошкоджена частина повинна бути відремонтована чи замінена в авторизованому сервісному центрі.

УСУНЕННЯ БЛОКУВАННЯ

- Зупиніть двигун і почекайте поки всі рухомі частини зупиняться.
- Від'єднайте провід свічки запалювання.
- Леза дуже гострі. При роботі поблизу лез надягайте надміцні робочі рукавички.
- Обережно усуньте засмічення або очистите леза та інші рухомі частини.

НЕПЕРЕДБАЧЕНІ РИЗИКИ

Навіть за належного використання інструмента неможливо повністю нейтралізувати певні фактори залишкового ризику. Наступні небезпеки можуть виникати при використанні продукту та оператору слід звернути особливу увагу, щоб уникнути наступного:

- Травми в результаті контакту з ріжучими засобами
 - Переконайтеся що захисні щитки ножів встановлені, коли прилад не використовується. Завжди тримайте ноги та руки подалі від ножів.
- Травми спричинені вібрацією.
 - Завжди використовуйте правильний інструмент для роботи, використовуйте призначені ручки і обмежіть час роботи і вплив. Див. розділ "Зменшення ризику" у цьому керівництві.
- Під впливом шуму може виникнути пошкодження слуху.
 - Надягайте захист для органів слуху та лімітуйте вплив.
- Травма очей внаслідок відлітаючих обрізків.
 - Носіть захист для очей у весь час.
- Травми, які можуть нанести предмети при падінні.
 - При роботі в місця, де є ризик падіння предметів, потрібно носити захист для голови.

ЗНИЖЕННЯ РИЗИКУ

Відомі випадки, коли вібрація від ручних інструментів сприяє появі так званого синдрому Рейно. Симптоми схожі на ті, що з'являються під впливом холоду, включаючи поколювання, оніміння та збліднення пальців. Вважається, що спадкові чинники, вплив холоду і сирості, харчування, куріння і деякі звички роботи сприяють розвитку цих симптомів. Можна прийняти деякі заходи, які можуть бути прийняті оператором, щоб зменшити вплив вібрації:

- Підтримувати температуру тіла в холодну погоду. При використанні інструменту надягайте рукавички, щоб тримати руки та зап'ястки у теплі. Згідно з дослідженнями, основний внесок в розвиток синдрому Рейно, є холодна погода.
- Вправа для активації кровообігу після кожного запуску.
- Регулярно йдуть на перерву. Лімітуйте кількість роботи на день.

Якщо ви виявили будь-який з цих симптомів, негайно припиніть використання і зверніться до вашого лікаря згідно цих симптомів.

⚠ ПОПЕРЕДЖЕННЯ

Тривале використання інструменту може призвести до травмування або загострення існуючої травми. При використанні приладу протягом тривалого періоду часу, часті перерви.

ЗНАЙ СВІЙ ПРОДУКТ

Дивіться сторінку 191.

1. Дросель
2. Первинна лампа
3. Захист
4. Передня ручка
5. Ковпак свічки запалювання
6. Захват стартеру
7. лезо
8. Кришка повітряного фільтра
9. Ручка кришки повітряної камери
10. Кришка паливного бака
11. Блокування запуску поворотної ручки
12. Тригер дроселя
13. Поворотна ручка
14. Фіксатор дросельної заслінки3
15. Перемикач УВІМК/ВІМК
16. Ножни

СИМВОЛИ НА ПРОДУКТІ



ПОПЕРЕДЖЕННЯ



Для запобігання ризику травми користувач повинен прочитати та зрозуміти керівництво користувача перед використанням цього виробу.



Одягайте засоби для захисту слуху.



Одягайте захисні окуляри



Завжди тримайте виріб обома руками при роботі.



Носіть неслизькі, надміцні рукавички.



Для запобігання серйозних травм не торкайтеся лез.





Остерігайтеся кинутих або літаючих об'єктів. Тримайте всіх перехожих, особливо дітей і домашніх тварин, принаймні 15 м від робочої зони.



Використовуйте неетилований бензин, призначений для використання моторними транспортними засобами з октановим числом 91 ([R + M]/2) або вище.



Використовуйте 2-тактне масло для двигунів з повітряним охолодженням.



Перед заправкою ретельно змішайте паливо та мастило для 2-тактних двигунів.



Для зменшення ризику травми або пошкодження уникайте контакту з гарячими поверхнями.



Натисніть грушу 10 разів.



Встановіть важіль повітряної заслінки в становище "ПОВНОГО" дроселя.



Натисніть важіль повітряної заслінки в положення "половини".



Встановіть важіль повітряної заслінки в положення «ДІЯ».



Дайте продукту попрацювати на холостому ходу протягом 10 секунд.



Поверніть ручку стартера, поки двигун не запуститься.



Запуск холодного двигуна



Запуск теплого двигуна



Щоб повернути ручку, що обертається, потягніть фіксатор обертання ручки. Поверніть ручку вправо або вліво та відпустіть фіксатор обертання ручки. Повертайте ручку доки вона фіксується у положенні 45° або 90°.



Натисніть на фіксатор курка газу та курок газу.



Встановіть перемикач в положення "I", перш ніж намагатися запустити одиницю.



Відповідає всім нормативним стандартам в країнах ЄС, де виріб було придбано.



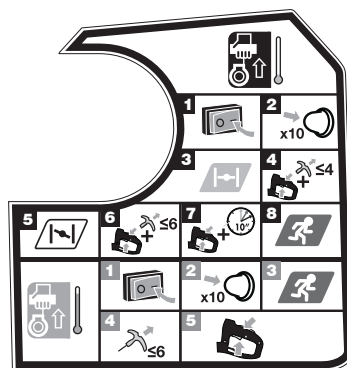
Євразійська знак відповідності.



Український знак відповідності



Гарантований рівень звукової потужності 105 дБ.



ПРИМІТКА: Встановлюйте виріб на рівній поверхні і Переконайтеся у тому, що в безпосередній близькості відсутні об'єкти та інші перешкоди, що можуть увійти в контакт з ножами.


Щоб запустити холодний двигун:

1. Встановіть вмик. / вимк., у положення "I".
2. Натисніть грушу 10 разів.
ПРИМІТКА: Після 7-ого натискання, можна побачити паливо в груші праймера. Якщо ні, продовжуйте натискати доки паливо можна буде побачити.
3. Встановити важіль дроселя у положення I-I.
4. Натисніть на фіксатор курка газу та курок газу. Поверніть ручку стартера, поки двигун не намагається запуститися. Не тягніть ручку стартера більш ніж 4 рази.
5. Встановити важіль дроселя у положення I-I.
6. Натисніть на фіксатор курка газу та курок газу. Поверніть ручку стартера, поки двигун не запуститься. Не тягніть ручку стартера більш ніж 6 рази.
7. Дайте продукту попрацювати на холостому ходу протягом 10 секунд.
8. Встановити важіль дроселя у положення I-I.

Для запуску теплого двигуна:

1. Встановіть вмик. / вимк., у положення "I".
2. Натисніть грушу 10 разів.
ПРИМІТКА: Після 7-ого натискання, можна побачити

- EN
- FR
- DE
- ES
- IT
- NL
- PT
- DA
- SV
- FI
- NO
- RU
- PL
- CS
- HU
- RO
- LV
- LT
- ET
- HR
- SL
- SK
- BG
- UK**
- TR

- паливо в груші праймера. Якщо ні, продовжуйте натискати доки паливо можна буде побачити.
3. Встановити важіль дроселя у положення .
 4. Міцно тримаючи лівою рукою, натисніть ручку, що обертається, дросельний регулятор і фіксатор дросельного регулятора. Поверніть ручку стартера, поки двигун не запуститься. Не тягніть ручку стартера більш ніж 6 рази.
 5. Натисніть на фіксатор курка газу та курок газу.

СИМВОЛИ В ЦЬОМУ ПОСІБНИКУ



Запчастини та аксесуари, що продаються окремо



ПРИМІТКА



ПОПЕРЕДЖЕННЯ



Не палити при змішуванні палива або заповненні паливного баку.



Ризик пожежі.



Для зупинки пристрою, натисніть і утримуйте перемикач I / O у положенні "O".

Наступні сигнальні слова і змісти призначені для пояснення рівнів ризику, пов'язаних з продуктом.

НЕБЕЗПЕКА

Вказує на неминуче небезпечну ситуацію, яка, якщо її не уникнути, може призвести до смерті або серйозних травм.

ПОПЕРЕДЖЕННЯ

Вказує на потенційно небезпечну ситуацію, яка, якщо її не уникнути, може призвести до смерті або серйозних травм.

УВАГА

Вказує на потенційно небезпечну ситуацію, яка, якщо її не уникнути, може призвести до легкої або середньої травми.

УВАГА

Без попереджувачих символів

Вказує на ситуацію, яка може призвести до пошкодження майна.

ГРАФІК РОБІТ ПО ОБСЛУГОВУВАННЮ

	Перед кожним використанням	Після 1-го місяця або 20 годин роботи	Кожні 3 місяці або 50 годин роботи	Кожні 6 місяці або 100 годин роботи	Щороку або після 300 годин роботи
Перевірте моторну оливу	■				
Змініть моторну оливу		■		■	
Перевірте повітряний фільтр	■				
Очищувальний повітряний фільтр			■		
Змініть повітряний фільтр					■
Перевірте / відрегулюйте свічку запалювання				■	
Замініть свічку запалювання					■
Перевірте / відрегулюйте швидкість обертів холостого ходу					■
Очистіть екран іскрогасника.			■		
Замініть на новий іскрогасник.					■
Перевірте / відрегулюйте зазор клапана ¹					■
Очистіть паливний бак і фільтр 1				■	
Перевірте паливний шланг	■				
Перевірте паливний фільтр	■				
Замініть паливний фільтр					■
Перевірте усі з'єднання шлангів	■				
Перевірте дренажний отвір паливного бака (якщо є)	■				
Перевірте фільтр з активованим вугіллям (тільки у моделей з карбюратором)	■				

1. Ці пункти повинні виконуватися тільки у авторизованому сервісному центрі.

Зауваження:

- Якщо пристрій використовується в заповнених приміщеннях, технічне обслуговування слід проводити частіше.
- При перевищенні зазначених у таблиці значень обслуговування проводиться відповідно із зазначеними нижче інтервалами або тривалістю експлуатації.

ПОШУК І УСУНЕННЯ НЕСПРАВНОСТЕЙ

Проблема	Можливі Причини	Рішення
Двигун не заводиться.	Відсутня іскра.	Перевірте наявність іскри. Зніміть свічку запалювання. Знову встановіть ковпачок свічки запалювання і встановіть свічку на металевий циліндр. Потягніть трос стартера і спостерігайте за іскрою на головці свічки запалювання. Якщо іскри немає, повторіть тест з новою свічкою.
	Паливо відсутнє	Натискайте на грушу праймера доки вона не заповниться паливом. Якщо груша не заповнюється, первинну систему подачі палива заблоковано. Зверніться до сервісного центру. Якщо груша заповнилась, переходьте до наступного пункту, оскільки паливо може залити двигун.
	Двигун залитий.	Встановіть важіль дроселя у положення  і потягніть за ручку стартера 3 рази. Якщо двигун не запускається, встановіть важіль дроселя у положення  і повторіть стандартну процедуру запуску. Якщо двигун все одно не запускається, повторіть вищенаведені кроки, встановивши нову свічку запалення.
Двигун запускається, але не набирає обертів.	Мотузку стартера важко тягнути.	Зверніться до сервісного центру.
	Двигуну потрібно приблизно три хвилини для розігріву.	Дозвольте двигуну повністю прогрітись. Якщо двигун не прискорюється через три хвилини, зверніться до дилера з обслуговування.
	Необхідно відрегулювати карбюратор.	Зверніться до сервісного центру.
Двигун запущений, але на великій швидкості працює тільки на половині дроселя.	Непридатна мастильна та паливна суміш.	Використовуйте свіже пальне з правильною пропорцією 2-тактного масла.
	Забруднено повітряний фільтр.	Прочистіть повітряний фільтр. Дивіться розділ Очищення повітряного фільтра в цьому керівництві.
	Забруднено екран іскрогасника.	Зверніться до сервісного центру.
Двигун запускається, працює на повних обертах та/чи сильно димить.	Необхідно відкоригувати гвинт холостого ходу на карбюраторі	Зверніться до сервісного центру.

Benzinli çit budama makinesinin tasarımında temel öncelik güvenliğe, performansa ve güvenilirliğe verilmiştir.

KULLANIM AMACI

Benzinli çit budama makinesi yalnızca bu kılavuza göre kullanılmak üzere tasarlanmıştır. Benzinli çit budama makinesini kullanmadan önce bu kılavuza dikkatlice okuyun ve eylemlerinden sorumlu olarak değerlendirilen yetişkinler tarafından kullanılmaya uygundur.

Bu ürün sadece iyi havalandırılan bir alanda dış mekanda kullanılmaya uygundur. Güvenlik nedenleriyle ürün iki elle kullanılarak uygun şekilde kontrol edilmelidir.

Ürün evde veya domestik kullanım için tasarlanmıştır. Çitleri, çalıkları ve gövdesi veya dalları 28 mm'den daha ince olan benzer bitkileri kesmek için üretilmiştir. Kuru, aydınlatmanın iyi olduğu durumlarda kullanılmalıdır.

Çim kesmeye, ağaç veya dalları budamaya yönelik DEĞİLDİR. Çit budama dışında herhangi bir amaçla kullanılmamalıdır.

UYARI

Ciddi fiziksel yaralanmaları önlemek için kullanıcı kılavuzunu tamamen okuyup anlayana kadar bu ürünü kullanmaya çalışmayın. Bu kullanıcı kılavuzunu saklayın ve güvenli şekilde kullanmaya devam etmek ve bu ürünü kullanabilecek diğer kişileri bilgilendirmek için sık sık inceleyin.

BU TALİMATLARI SAKLAYIN.

GENEL GÜVENLİK UYARILARI

UYARI

Tüm güvenlik uyarılarını ve tüm talimatları okuyun. Uyarılara ve talimatlara uymamak elektrik çarpması, yangın ve/veya ciddi yaralanma ile sonuçlanabilir. İleride başvurmak üzere tüm uyarıları ve talimatları saklayın.

HAZIRLIK

UYARI

Bu çit budama makinesi ciddi yaralanmalara neden olabilir. Çit budama makinesini doğru şekilde taşımak, hazırlamak, bakımını yapmak, çalıştırmak ve durdurmak için talimatları dikkatlice okuyun. Tüm kontrolleri ve makinenin nasıl doğru şekilde kullanılacağını öğrenin.

- Çocukların ve eğitimsiz kişilerin bu üniteyi kullanmasına izin vermeyin.
- Başınızın üstündeki elektrik teller tehlike yaratır, dikkatli olun.
- Etraftaki herkesi, çocukları ve evcil hayvanları en az 15 m uzakta tutun. Ürünü hiçbir zaman yakın insanlar, özellikle çocuklar veya hayvanlar varken kullanmayın.
- Uygun şekilde giyinin. Bol giysiler veya gevşek takılar kullanmayın; bunlar hareketli aksama sıkışabilir.

UYARI

Herhangi bir elektrikli alet kullanmak yabancı cisimlerin gözlerinize gelmesine ve bu da ciddi göz yaralanmalarına neden olabilir. Ürünü açmadan önce daima koruyucu gözlük ve siperli iş gözlükleri ve gerektiğinde tüm yüzü kapatan bir siper kullanın. Ryobi, gözlüklerin üstüne takılabilecek geniş görüşlü bir emniyet maskesi veya yan siperleri olan standart bir koruyucu gözlük kullanmanızı tavsiye eder.

- Ekipmanı ayaklarınız çıplakken veya terlik ya da terlik benzeri hafif bir ayakkabı giyerken kullanmayın. Ayaklarınızı koruyacak ve kaygan yüzeylerde yürümenizi kolaylaştıracak koruyucu ayakkabı giyin.

UYARI

Yakıt ile işlem yaparken çok dikkatli olun. Benzin yanıcıdır ve buharlar zehirli ve patlayıcıdır.

- Sadece benzin için onaylı yakıt kapları kullanın.
- Motoru çalıştırmadan önce yakıt ekleyin. Motor çalışırken veya motor sıcakken hiçbir zaman yakıt deposunun kapağını çıkartmayın veya yakıt eklemeyin.
- Sigara içmeyin!
- Her zaman açık alanda yakıt doldurun. Hiçbir zaman kapalı alanda veya yetersiz havalandırılan bir alanda yakıt doldurmayın. Tüm ateşleme, kıvılcım ve alev kaynaklarından uzak tutun.
- Makineyi hiçbir zaman yakıt deposunda yakıt varken sıcak su ve oda ısıtıcılar, çamaşır kurutma makineleri ve benzer ateşleme kaynaklarının mevcut olduğu bir bina içinde saklamayın.
- Üniteden dökülen yakıtı silin. Motoru çalıştırmadan önce yakıt dolmuş yerinden 9 m uzaklaştırın.
- Tüm yakıt deposu ve konteyner kapaklarını sıkı bir şekilde yerine takın.
- Eğer yakıt deposunun boşaltılması gerekiyorsa bunu açık alanda yapın.
- Kesme mekanizması herhangi bir nesneye çarptığında veya makine herhangi bir olağan dışı gürültü çıkartmaya başladığında güç kaynağını kapatın ve makinenin durmasını bekleyin. Buji kablosunu bujiden ayırın ve aşağıdaki adımları yerine getirin:
 - Hasara karşı kontrol edin;
 - Herhangi bir gevşek parçaya karşı kontrol edin ve sıkın;Herhangi bir hasarlı parçayı aynı teknik özelliklere sahip parçalarla değiştirin veya onartın.

UYARI

Bu ürün çalışma sırasında son derece gürültüldür. Uzun vadede duyma bozukluğu riskini azaltmak için kulak tıkaçı takın.

EN

FR

DE

ES

IT

NL

PT

DA

SV

FI

NO

RU

PL

CS

HU

RO

LV

LT

ET

HR

SL

SK

BG

UK

TR

⚠ UYARI

Ürünü kullanırken her zaman yan siperli koruyucu gözlük veya güvenlik gözlüğü takın. Aksi hâlde nesnelere gözünüze doğru fırlaması ve olası ciddi yaralanma ile sonuçlanabilir.

- Bir acil durumda ürünü durdurmak için. Açma kapama düğmesini (O) konumuna alın.

KULLANIM

- Daima motoru durdurun, buji başlığını bujiden çıkarın, soğumasını bekleyin ve şunları yapmadan önce tüm hareketli parçaların durduğundan emin olun:
 - Sigara içmeyin!
 - çalışma pozisyonunu veya arka elcik pozisyonunu ayarlamak
 - ürün gözetimsiz bıraktığınızda
 - ürünün temizlenmesi
 - aksesuarların değiştirilmesi
 - tıkanıklıkların giderilmesi
 - bir nesneye çarptıktan sonra herhangi bir hasara karşı kontrol
 - ürün anormal derecede titreiyorsa çalışıyorsa herhangi bir hasara karşı kontrol
 - bakım yapma
- Motoru sadece, ürün güvenli bir çalışma pozisyonundayken çalıştırın. Üretici, ürünün motor çalıştırılmadan önce bıçakların hiçbir şeye temas edemeyeceği bir zemine yerleştirilmesini tavsiye etmektedir.
- Çit budama makinesini çalıştırırken üstüne uzanmayın veya dengesiz bir destek üzerine çıkmayın. Yere sağlam basın ve dengeyi her zaman koruyun. Üretici, basamak veya merdiven kullanmanızı tavsiye etmez. Eğer daha yüksekte budama yapmanız gerekirse daha ileriye uzanan bir alet kullanın.
- Hasar görmüş veya çok aşınmış bir kesim cihazına sahip ürünü çalıştırmayın.
- Yangın tehlikesini azaltmak için makineyi ve susturucuyu biriktirden, yapraklardan ve aşırı yağdan arındırın.
- Ürünü kullanırken tüm elciklerin ve koruyucuların yerinde olduğundan daima emin olun. Hiçbir zaman eksik veya izin verilmeyen bir değişiklik yapılmış makineyi kullanmaya çalışmayın.
- İki elcik bulunan ürünü daima iki elle kullanın.
- Çevrenizi tanıyın ve makinenin gürültüsü nedeniyle fark etmemiş olabileceğiniz olası tehlikelere karşı tetikte olun.

EK GÜVENLİK UYARILARI

- Motoru tehlikeli karbonmonoksit dumanının birikebileceği kapalı bir alanda çalıştırmayın. Karbonmonoksit renksiz, kokusuz ve son derece tehlikeli bir gazdır ve bilinç kaybına veya ölüme neden olabilir.
- Ürünü hiçbir zaman yorgunken, hastayken veya alkol, uyuşturucu veya ilaç etkisi altındayken kullanmayın.

- Her kullanım öncesi tüm kontrollerin ve güvenlik cihazlarının doğru şekilde çalıştığından emin olun. Eğer "kapalı" anahtar ürünü durdurmuyorsa ürünü kullanmayın. Kusurlu anahtarların yetkili bir servis merkezine onarılmasını sağlayın.
- Her kullanım öncesi makineyi inceleyin. Gevşemiş tespit elemanları, yakıt sızıntıları olup olmadığını kontrol edin. Yakıt sızıntısı varsa ve koruyucular sabit ve tamamen işlevsel değilse çalıştırmayın.
- Saçlarınız uzunsu hareketli parçalara dolaşmasını önlemek için omuz seviyesinin üzerinde toplayın.
- Kötü aydınlatmalı koşullarda kullanmayın. Kullanıcının potansiyel tehlikeleri belirlemesi için çalışma alanını net olarak görmesi gerekir.
- Her kullanım öncesi çalışma alanını temizleyin. Hareketli kısımları da kesicilere hasar verebilecek ya da bunlara dolanabilecek direk, tel veya ip gibi bütün yabancı maddeleri uzaklaştırın.
- Budanacak çit veya çalının içinde veya arkasında hayvan veya insan olmadığını sürekli kontrol edin. Yakında benzer aletler kullanmak hem işitme kaybı riskini hem de diğer insanların çalıştığınız alana girme riskini artırır.
- Ürünün güvenli çalışma durumunda olduğundan emin olmak için tüm somunların, civataların ve vidaların doğru sıklıkta sık aralıklarla takıldığını kontrol edin. Hasarlı her tür parça yetkili servis merkezi tarafından uygun şekilde onarılmalı veya değiştirilmelidir.

⚠ UYARI

Gaz tetiği serbest bırakıldığında ve motor rölanide çalışırken kesme eklentisi veya bıçak hareket etmemelidir. Eğer hareket etmeye devam ederse operatör ağır şekilde yaralanabilir. Ürünü kullanmayın. Profesyonel ayar yapılması için ürünü bir yetkili servis merkezine getirin.

- Ürünün susturucu veya motor çevresindeki alanına dokunmayın, bu parçalar işletim sırasında çok ısınır.
- Üründe herhangi bir şekilde değişiklik yapmayın
- Çit budama makinesini sert bodur ağaçları budamak için zorlamayın. Aksi hâlde bıçakların körelmesine ve yavaşlamasına neden olabilir. Eğer bıçaklar yavaşlarsa hızını düşürün.
- 2 mm'den daha kalın veya kesme bıçağını beslemek için açıkça çok büyük gövdeleri veya ince dalları kesmeye çalışmayın. Büyük gövdeleri budamak için güç destekli olmayan bir el testeresi veya budama testeresi kullanın.
- Yangın riskini azaltmak için, çalışan veya sıcak bir motoru ve susturucuyu yanıcı maddelerden uzak tuttuğunuzdan emin olun.

TAŞIMA VE DEPOLAMA

- Motoru durdurun ve depolamadan veya taşımadan önce soğumasını bekleyin.
- Üründeki tüm yabancı maddeleri temizleyin.
- Bıçağı bıçak koruyucu (kılıf) ile kapatın.
- Depodaki tüm yakıtı benzin için onaylı bir konteyner

içine boşaltın. Yakıt kapağını uygun şekilde yerine takmayı ve sıkıyı unutmayın.

- Motoru durana kadar çalıştırın. Bu, bayatlayabilecek ve yakıt sisteminde vernikli ve yapışkan bir madde bırakabilecek tüm yakıtı giderecektir.
- Ürünü çocukların erişemeyeceği ve ateşleme kaynaklarından yeterince uzakta serin, kuru ve iyi havalandırılan bir yerde depolayın.
- Bahçe kimyasalları ve buz çözücü tuzlar gibi korozif maddelerden uzak tutun.
- Açık alanda depolamayın.
- Taşınacağı zaman insanların yaralanmasını veya ürünün zarar görmesini önlemek amacıyla ürünü hareket etmemesi veya düşmemesi için sabitleyin.
- Ürünü hiçbir zaman motor çalışırken elinizle veya araçla taşımayın.
- Benzinin güvenli şekilde depolanması ve taşınması için tüm devlet yönetmeliklerine ve yerel yönetmeliklere uyun.

Kısa süreli depolama (1 aydan az)

- Motoru durdurun ve depolamadan önce soğumasını bekleyin.
- Bıçağı bıçak koruyucu (kılıf) ile kapatın.
- Ürünü çocukların erişemeyeceği ve ateşleme kaynaklarından yeterince uzakta serin, kuru ve iyi havalandırılan bir yerde depolayın.
- Bahçe kimyasalları ve buz çözücü tuzlar gibi korozif maddelerden uzak tutun.
- Açık alanda depolamayın.

BAKIM

⚠ UYARI

Servis çalışması en yüksek düzeyde dikkat ve bilgi gerektirir ve sadece nitelikli bir servis teknisyeni tarafından yapılmalıdır. Servis için ürünü onarım amacıyla size en yakın yetkili servis merkezi'ne göndermenizi öneriyoruz. Servis yapılırken sadece aynı yedek parçaları kullanın.

⚠ UYARI

Bıçaklar keskindir. Bıçak düzeneğini tutarken kaymaz, ağır işe yönelik koruyucu eldiven takın. Elinizi veya parmaklarınızı bıçakların arasına veya delinebilecekleri veya kesilebilecekleri herhangi bir yere koymayın. Buji kablosu bağlı hâldeyken HİÇBİR ZAMAN bıçaklara dokunmayın veya ünitenin servisini yapmayın.

⚠ UYARI

Fren sıvılarının, benzinin, petrol bazlı ürünlerin, nüfuz edici yağın vb. hiçbir zaman plastik parçalarla temas etmesine izin vermeyin. Kimyasal maddeler plastik parçalara zarar verebilir, zayıflatabilir veya yok edebilir ve ciddi fiziksel yaralanma ile sonuçlanabilir.

⚠ UYARI

Bu alette değişiklik yapmaya veya bu alette kullanılması önerilmeyen herhangi bir aksesuar takmaya çalışmayın. Bu tür herhangi bir değişiklik veya modifikasyon olası ciddi fiziksel yaralanmaya neden olabilecek tehlikeli bir durumla sonuçlanabilir.

- Sadece bu kılavuzda açıklandığı şekilde ayar veya onarım yapabilirsiniz. Diğer onarımlar için yetkili servis temsilcisini arayın.
- Hatalı bakımın sonuçları arasında performans kaybına neden olan aşırı karbon birikimi ve susturucudan damlayan siyah yağ artışı tahliyesi yer olabilir.
- Her kullanımdan sonra ürünün gövdesini ve kulplarını yumuşak ve kuru bir bezle temizleyin.
- Her kullanımdan sonra bıçaklardaki kalıntıları sert bir fırça ile temizleyin ve ardından, bıçak koruyucuyu tekrar takmadan önce dikkatlice, paslanma önleyici bir yağlama maddesi sürün. Üretici, eşit bir dağıtım sağlamak ve bıçaklara temas nedeniyle yaralanmayı önlemek için bir paslanma önleyici ve yağlama spreyi kullanmanızı tavsiye etmektedir. Uygun sprey ürünü hakkında bilgi almak için yerel yetkili servis merkezinizle görüşün.
- Eğer gerekirse kullanmadan önce bıçakları, yukarıdaki yöntemi kullanarak yağlayabilirsiniz.
- Ürünün güvenli çalışma durumunda olduğundan emin olmak için tüm somunların, civataların ve vidaların doğru sıklıkta sık aralıklarla takıldığını kontrol edin. Hasarlı her tür parça yetkili servis merkezi tarafından uygun şekilde onarılmalı veya değiştirilmelidir.

BİÇAKLARI DEĞİŞTİRMEK

- Bıçakları periyodik olarak hasara ve aşınmaya karşı inceleyin. Her türlü hasarlı aksam yetkili bir servis merkezi tarafından gerektiği gibi onarılmalı ya da değiştirilmelidir.

TIKANIKLIĞIN GİDERİLMESİ

- Ürünü durdurun ve tüm hareketli parçaların durmasını bekleyin.
- Buji telini çıkarın.
- Bıçaklar keskindir. Bıçakların yakınında işlem yaparken ağır işlere uygun eldivenler takın.
- Bıçakların veya diğer hareketli parçaların çevresindeki tıkanıklığı veya kalıntıları temizlerken çok dikkatli olun.

ARTIK RİSKLER

Ürün belirtilen şekilde kullanıldığında bile belirli artık risk faktörlerini tamamen ortadan kaldırmak mümkün değildir. Kullanım sırasında aşağıdaki tehlikeler ortaya çıkabilir ve kullanıcının aşağıdaki durumları önlemek için özellikle dikkatli olması gerekir:

- Kesme aletlerine temas nedeniyle yaralanma
 - Ürün kullanılmadığı zaman kanat koruyucularının takılı olmasını sağlayın. Ellerinizi ve ayaklarınızı daima bıçaklardan uzak tutun.
- Titreşim nedeniyle yaralanma.
 - İş için her zaman doğru aleti kullanın, belirtilen

EN

FR

DE

ES

IT

NL

PT

DA

SV

FI

NO

RU

PL

CS

HU

RO

LV

LT

ET

HR

SL

SK

BG

UK

TR

saplardan tutun; çalışma ve maruz kalma süresini sınırlandırın. Bu kılavuzda "Risk Azaltma" kısmına bakın.

- Gürültüye maruz kalma nedeniyle işitme kaybı meydana gelebilir.
 - Kulak tıkacı takın ve maruz kalma süresini sınırlandırın.
- Fırlayan birikintiler nedeniyle göz yaralanması.
 - Her zaman uygun kulak tıkacı takın.
- Düşen nesnelere nedeniyle yaralanma
 - Eğer nesnelere düşme riskinin bulunduğu bir alanda çalışıyorsanız kask takılmalıdır.

RİSK AZALTMA

El aletlerinden kaynaklanan titreşimlerin belirli kişilerde Raynaud Sendromu adı verilen bir durumu etkilediği bildirilmiştir. Semptomlar içerisinde parmaklarda genellikle soğuğa maruz kaldığında açığa çıkan karıncalanma, hissizlik ve ağrı yer bulunabilir. Kalıtsal faktörler, soğuğa ve neme maruz kalma, diyet, sigara içme ve çalışma uygulamalarının hepsinin bu semptomların gelişimini etkilediği düşünülmektedir. Titreşim etkilerini azaltmak için kullanıcı tarafından alınabilecek önlemler vardır:

- Soğuk havada vücut ısınızı koruyun. Ürünü kullanırken ellerinizi ve bileklerinizi sıcak tutmak için eldiven giyin. Soğuk havanın Raynaud Sendromu'nu etkileyen önemli bir faktör olduğu bildirilmiştir.
- Her kullanım süresinden sonra kan dolaşımını artırmak için egzersiz yapın.
- Sık çalışma molası verin. Günlük maruz kalma miktarını sınırlayın.

Eğer bu durumla ilgili herhangi bir semptom görürseniz çalışmayı derhal bırakın ve bu semptomlar hakkında doktorunuza başvurun.

UYARI

Ürünün uzun süre kullanılması nedeniyle yaralanmalar meydana gelebilir veya kötüleşebilir. Herhangi bir alet uzun süre kullanıldığında düzenli molalar verdiğinizden emin olun.

ÜRÜNÜZÜ TANIYIN

Bkz. sayfa 191.

1. Jikle kolu
2. Hortum puarı
3. Koruma
4. Ön kulp
5. Buji toz lastiği
6. Marş kolu
7. Bıçak
8. Hava filtresi kapağı
9. Hava filtresi topuzu
10. Yakıt kapağı
11. Tetiği ve döner kulbu kilitleyin
12. Gaz kelebeği tetiği
13. Döner kol
14. Gaz kelebeği kilidi
15. Açma/Kapama Anahtarı
16. Kılıf

ÜRÜN ÜZERİNDEKİ SEMBOLLER



Güvenlik ikazı



Yaralanma riskini azaltmak için kullanıcı ürünü kullanmadan önce kullanıcı kılavuzunu okuyup anlamalıdır.



Kulak tıkacı takın.



Koruyucu gözlük takın.



Çit budama makinesini kullanırken her zaman iki elinizle tutun.



Kaymaz, ağır iş eldiveni giyin.



Ciddi yaralanmaları önlemek için kesme bıçaklarına dokunmayın.



Fırlayan ve sıçrayan nesnelere dikkat edin. Üçüncü şahısları, özellikle çocukları ve evcil hayvanları çalışma alanından en az 15 m uzakta tutun.



91 oktan ((R+M)/2) veya daha yüksek oktanlı motorlu taşıtlarda kullanıma yönelik kurşunsuz benzin kullanın.



Hava soğutmalı motorlar için sentetik 2 zamanlı motor yağı kullanın.



Yakıt ikmalinden önce yakıtı ve 2 zamanlı yağı dikkatle karıştırın.



Yaralanma veya hasar riskini azaltmak için herhangi bir sıcak yüzeye temas etmekten kaçının.



Hortum puarına 10 kez basın.



Jikle kolunu "TAM" jikle konumuna getirin.



Jikle kolunu "YARIM" jikle konumuna getirin.



Jikle kolunu "ÇALIŞTIR" konumuna getirin.



Motoru 10 saniye çalıştırın.



Motor çalışana kadar marş kolunu çekin.



Soğuk motoru çalıştırmak



Sıcak motoru çalıştırmak



Döner tutamağı döndürmek için tutamak dönüş tetiği kilidini çekin. Tutamağı sağa ya da sola çevirin ve tutamak dönüş tetiği kilidini bırakın. Tutamağı 45° ya da 90° konumunda yerine kilitlenene dek çevirmeye devam edin.



Tetik kilidine ve gaz kelebeği tetiğine basın



Üniteyi çalıştırmayı denemeden önce anahtarı "I" konumuna getirin.



Ürünün satın alındığı AB ülkesindeki tüm düzenleyici standartlara uygundur.



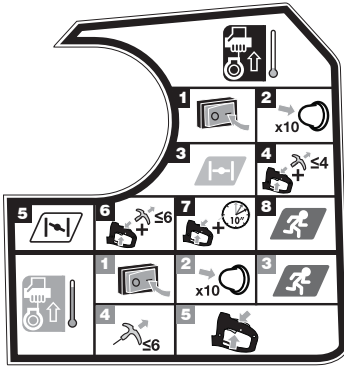
EurAsian Uygunluk İşareti



Ukrayna uygunluk işareti.



Güvenceli ses gücü seviyesi 105 dB'dir.



NOT: Ürünü yere koyun. Kesici bıçakların hiçbir şeyle karşılaşmamasını sağlayın.

Soğuk bir motoru çalıştırmak için:

1. Üniteyi çalıştırmayı denemeden önce anahtarı "I" konumuna getirin.
2. Hortum puarına 10 kez basın.
NOT: Kez bastıktan sonra yakıt, hortum puarında görülmelidir. Eğer görülmezse yakıt görülene kadar basmaya devam edin.
3. Jikle kolunu I-I konumuna ayarlayın.
4. Tetik kilidine ve gaz kelebeği tetiğine basın Motor

5. çalışmaya başlayana kadar marş kolunu çekin. Marş kolunu 4 defadan fazla çekmeyin.
6. Jikle kolunu I-I konumuna ayarlayın.
7. Tetik kilidine ve gaz kelebeği tetiğine basın Motor çalışana kadar marş kolunu çekin. Marş kolunu 6 defadan fazla çekmeyin.
8. Tetik kilidine ve gaz kelebeği tetiğine basın Motoru 10 saniye çalıştırın.
9. Jikle kolunu I-I konumuna ayarlayın.

Sıcak bir motoru çalıştırmak için:

1. Üniteyi çalıştırmayı denemeden önce anahtarı "I" konumuna getirin.
2. Hortum puarına 10 kez basın.
NOT: Kez bastıktan sonra yakıt, hortum puarında görülmelidir. Eğer görülmezse yakıt görülene kadar basmaya devam edin.
3. Jikle kolunu I konumuna ayarlayın.
4. Döner tutamağı, gaz ayar tetiğini ve gaz ayar tetiği kilidini sol elinizle tutun ve sıkın. Motor çalışana kadar marş kolunu çekin. Marş kolunu 6 defadan fazla çekmeyin.
5. Tetik kilidine ve gaz kelebeği tetiğine basın

BU KILAVUZDAKİ SEMBOLLER



Ayrı satılan parçalar veya aksesuarlar



Not



Uyarı



Yakıt karıştırırken veya yakıt deposunu doldururken sigara içmeyin.



Yangın Riski.



Ürünü durdurmak için I/O düğmesini "O" konumuna bastırın ve tutun.

Aşağıdaki işaret sözcükler ve anlamları bu ürünle ilişkili risk seviyelerinin açıklanmasına yöneliktir.

⚠ TEHLİKE

Önlenmemesi durumunda ölüm veya ciddi yaralanma ile sonuçlanacak ciddi tehlike içeren bir durumu gösterir.

⚠ UYARI

Önlenmemesi durumunda ölüm veya ciddi yaralanma ile sonuçlanabilecek potansiyel olarak tehlikeli bir durumu gösterir.

⚠ İKAZ

Önlenmemesi durumunda önemsiz veya orta derece yaralanma ile sonuçlanabilecek potansiyel olarak tehlikeli bir durumu gösterir.

İKAZ

Güvenlik uyarısı sembolü olmadığında

Maddi hasarla sonuçlanabilecek bir durumu gösterir.

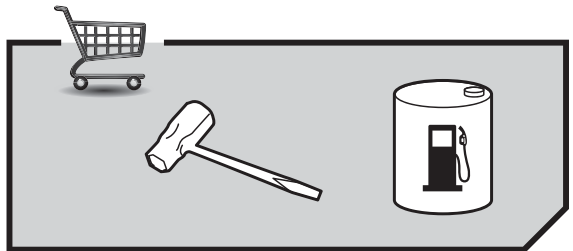
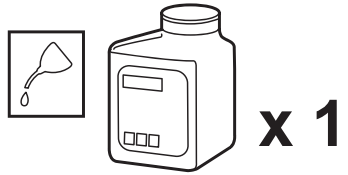
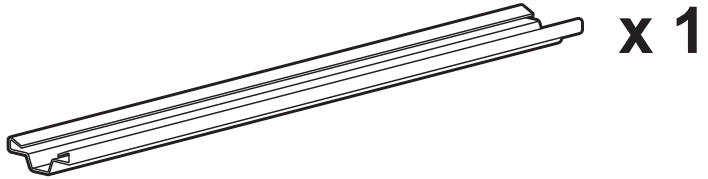
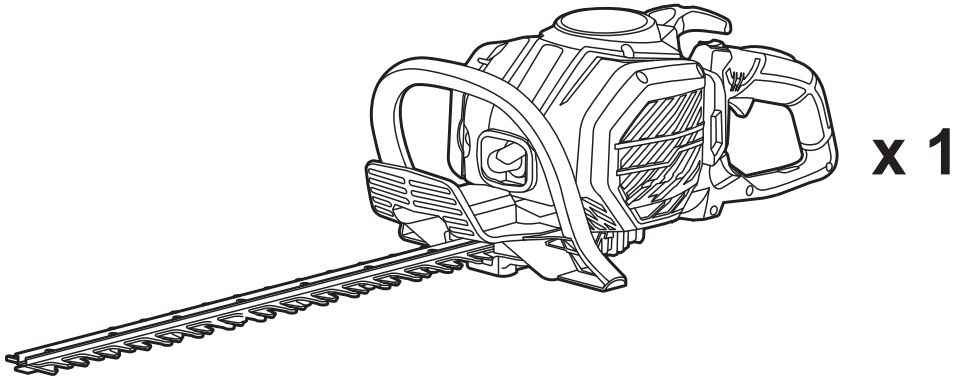
BAKIM PLANI

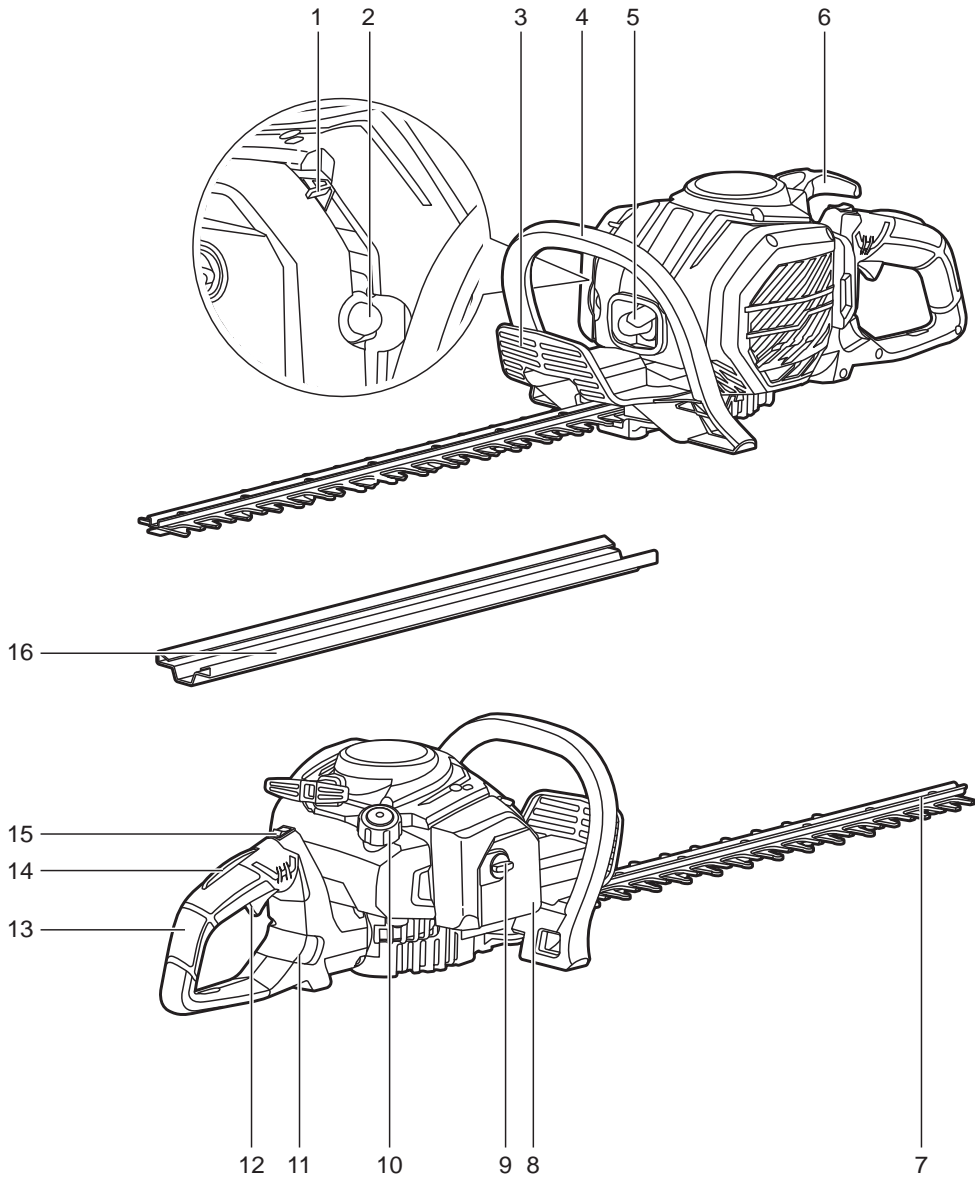
	Her kullanım öncesi	aydan veya 20 saat kullanımdan sonra	Her 3 ayda veya 50 saat kullanımda bir	Her 6 ayda veya 100 saat kullanımda bir	Her yıl ya da 300 saat çalışmadan sonra
Motor yağını kontrol edin	■				
Motor yağını değiştirilmesi		■		■	
Hava filtresini kontrol edin	■				
Hava filtresini temizleyin.			■		
Hava filtresini değiştirin					■
Bujiyi kontrol edin/ayarlayın				■	
Bujiyi değiştirin					■
Rölanti hızını kontrol edin/ayarlayın					■
Kıvılcım tutucu ekranını temizleyin.			■		
Yeni bir kıvılcım tutucuyla değiştirin.					■
Valf açıklığını kontrol edin/ayarlayın ¹					■
Yakıt deposunu ve filtreyi temizleyin ¹				■	
Yakıt hortumunu kontrol edin	■				
Yakıt filtresini kontrol edin	■				
Yakıt filtresini değiştirin					■
Tüm hortum bağlantılarını kontrol edin	■				
Yakıt deposu buhar deliğini (varsa) inceleyin	■				
Karbon kutusunu kontrol edin (sadece karbüratörlü modellerde)	■				

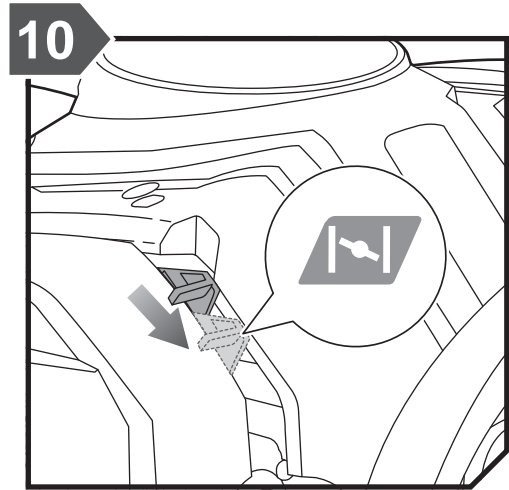
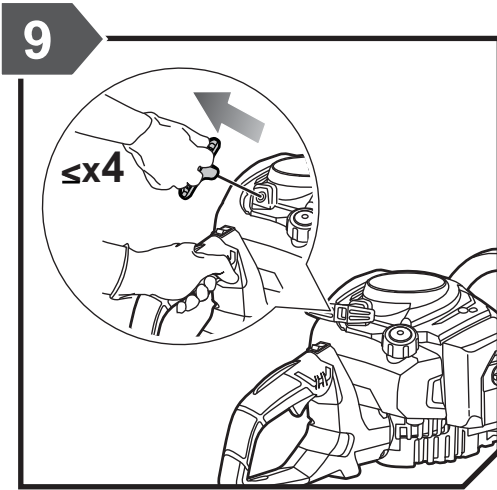
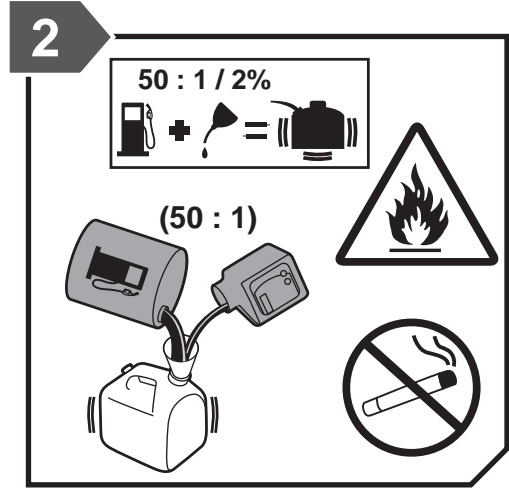
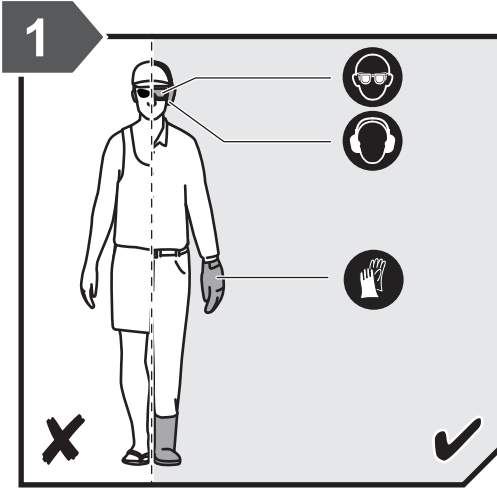
1. 1 Bu çalışmalar sadece yetkili bir servis merkezi tarafından yapılmalıdır.

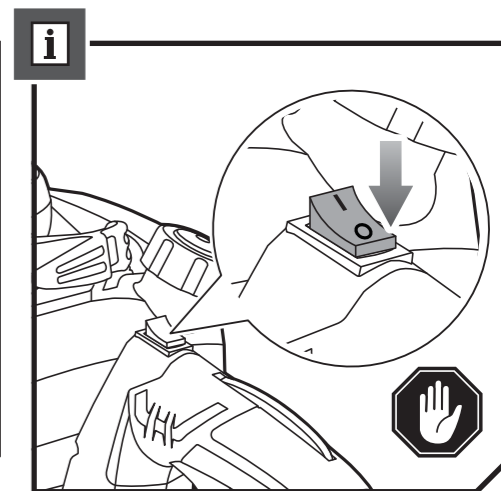
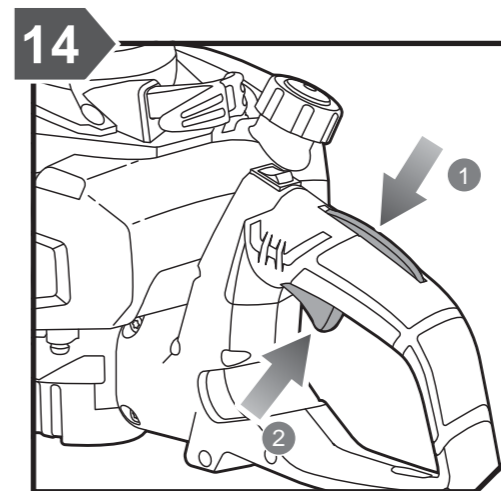
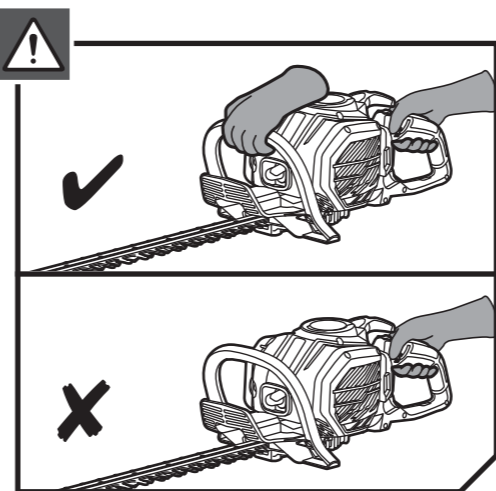
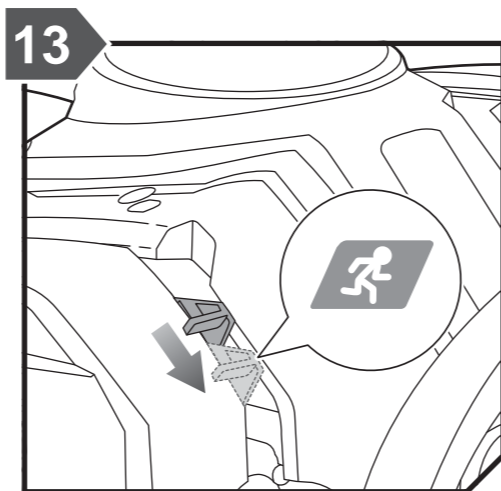
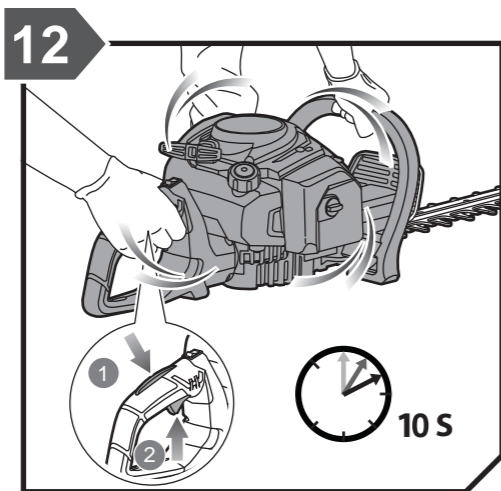
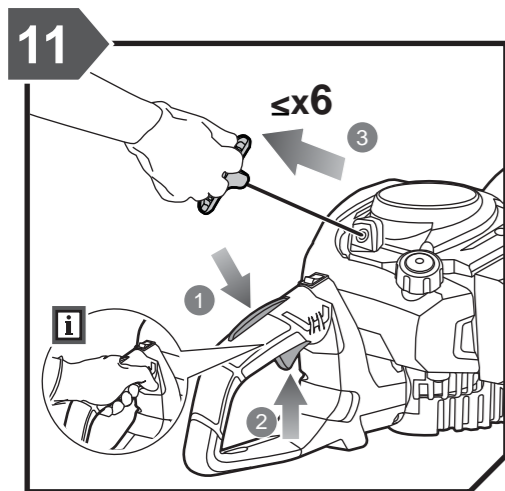
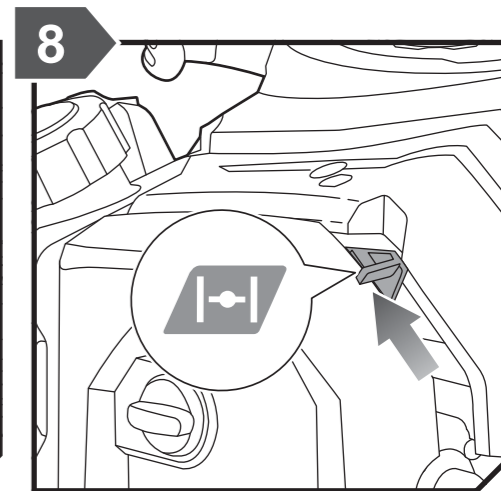
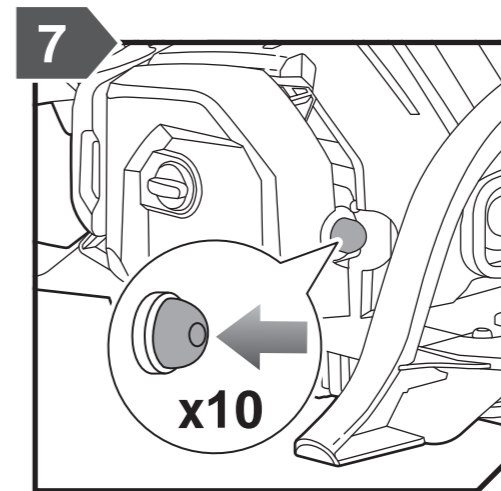
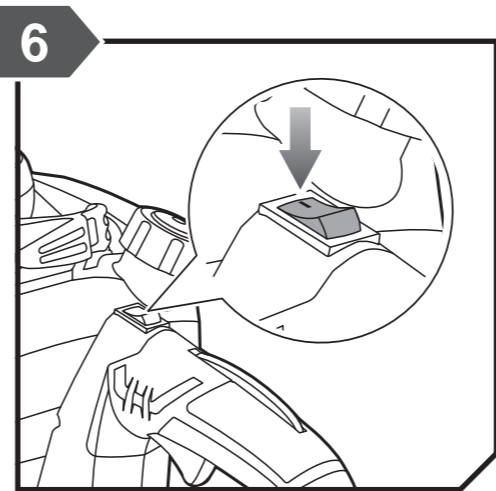
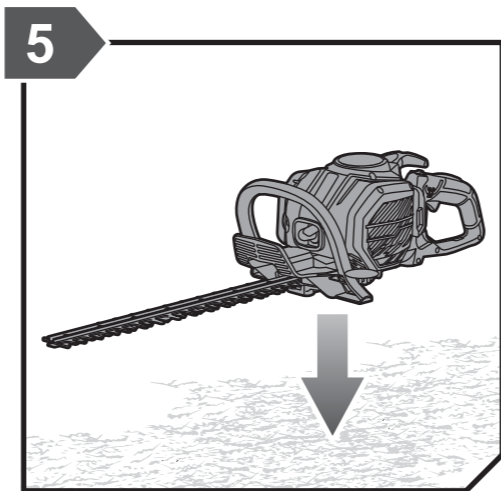
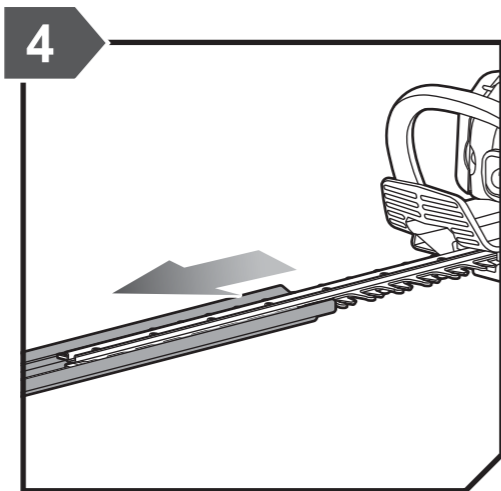
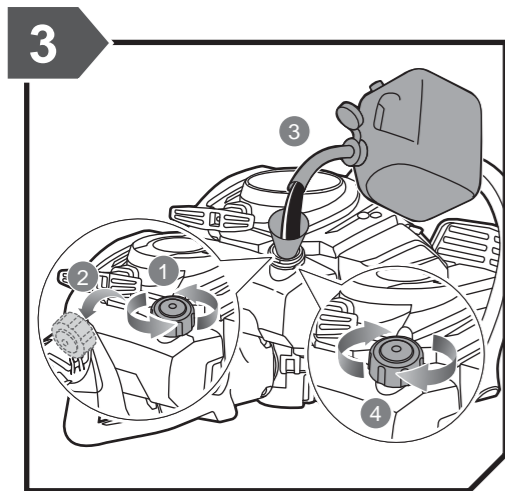
NOTLAR:

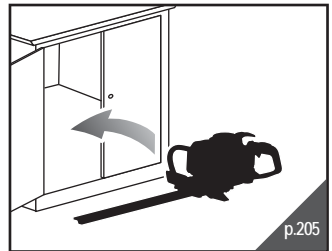
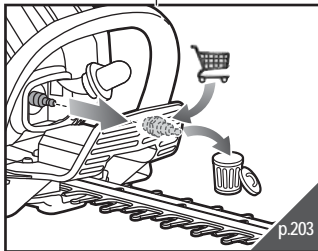
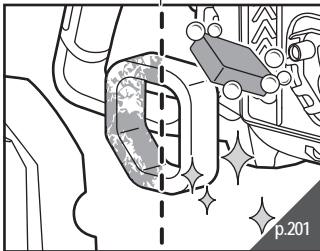
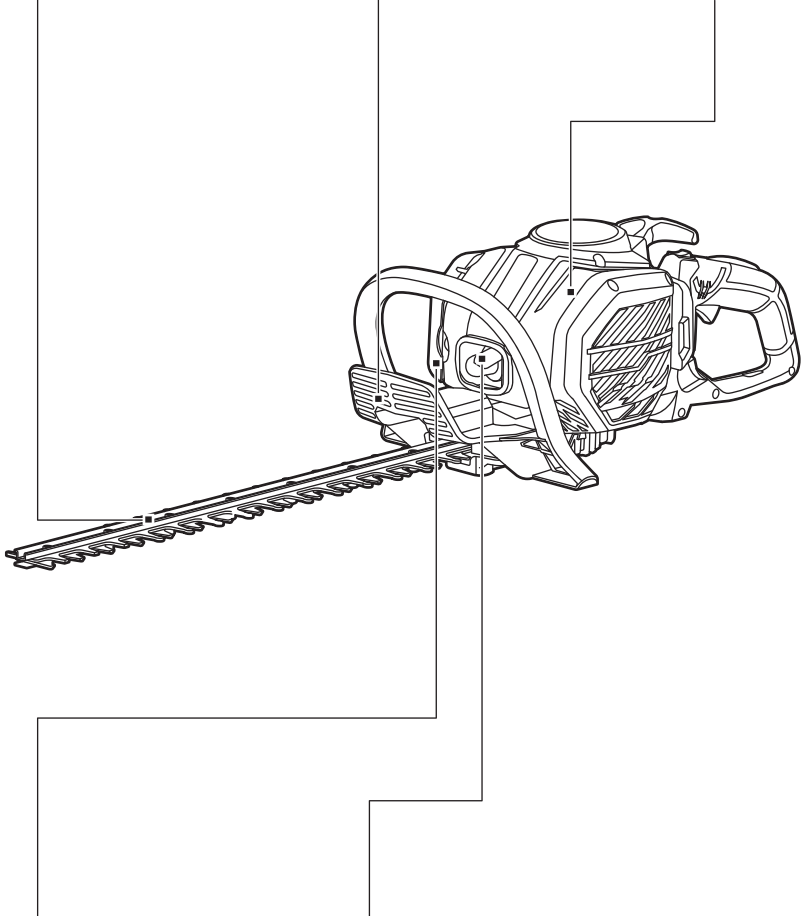
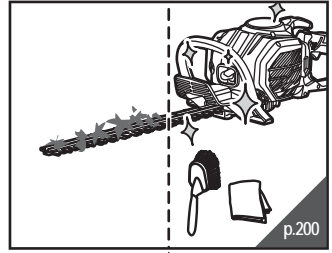
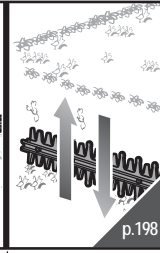
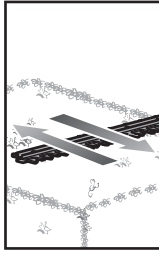
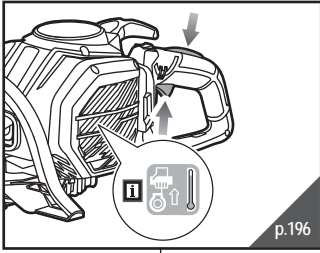
- Ürün tozlu alanlarda kullanıldığında bakım işlemi daha sık gerçekleştirilmelidir.
- Ürün tablodaki belirtilen maksimum rakamları aştığı zaman bakım döngüsünün burada belirtilen süre ya da saat aralıklarına göre ayarlanması gereklidir.

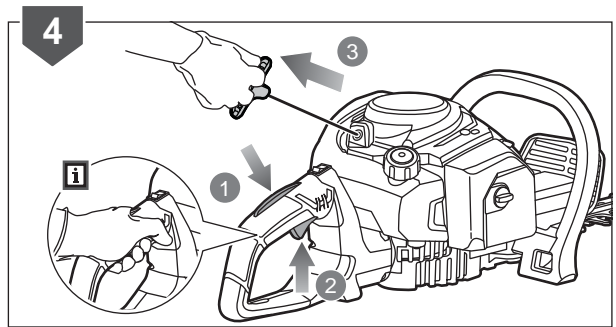
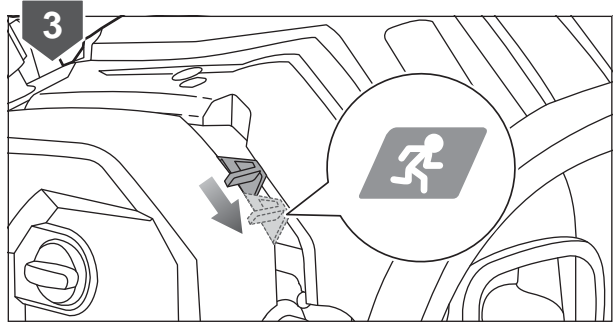
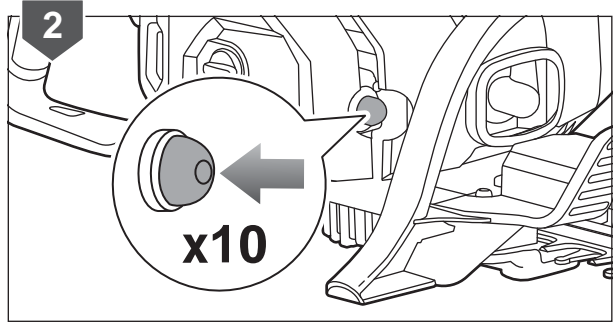
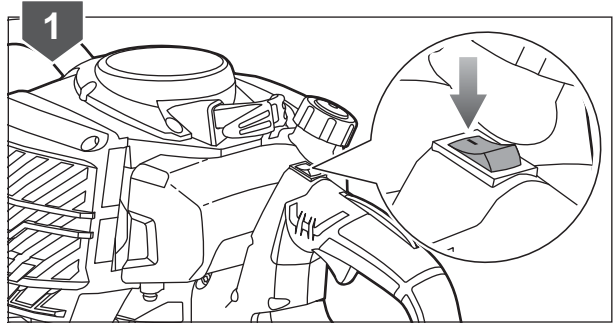
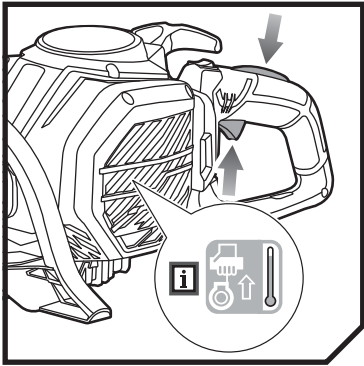


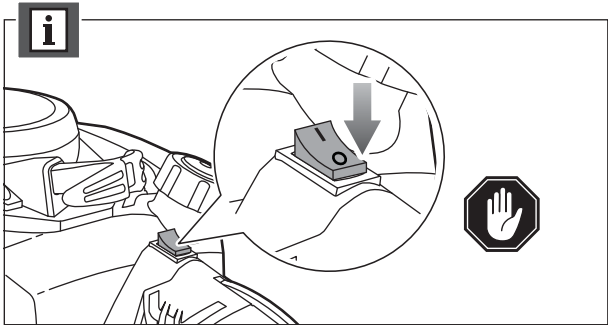
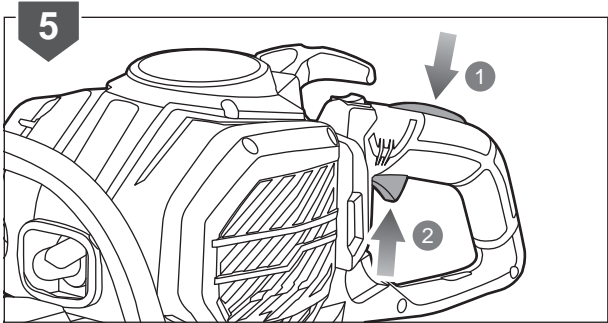


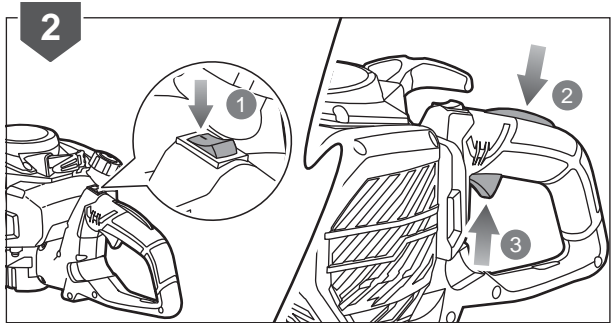
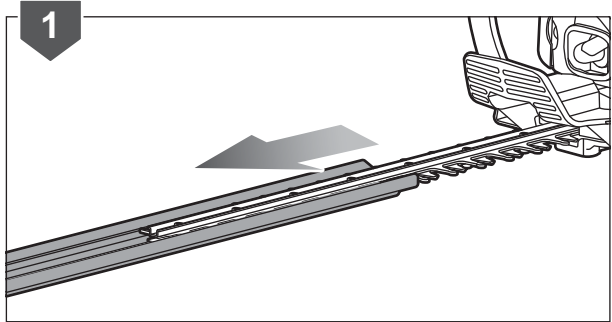
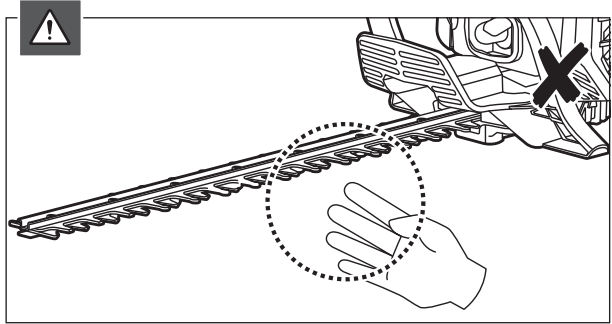
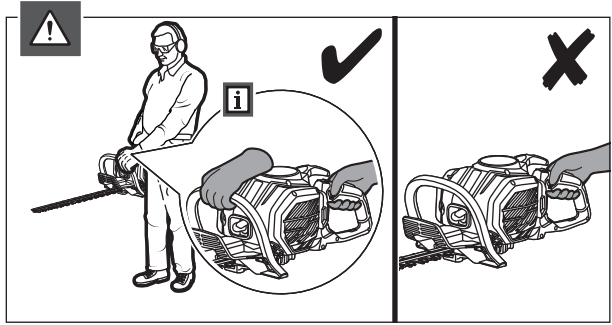
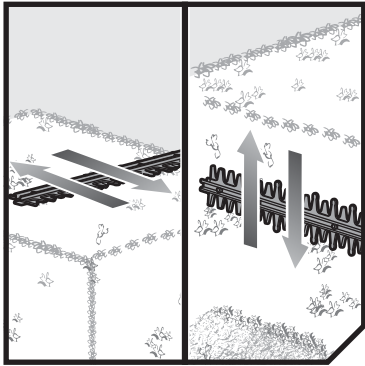


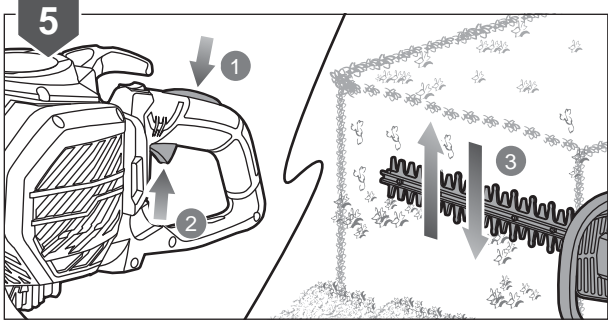
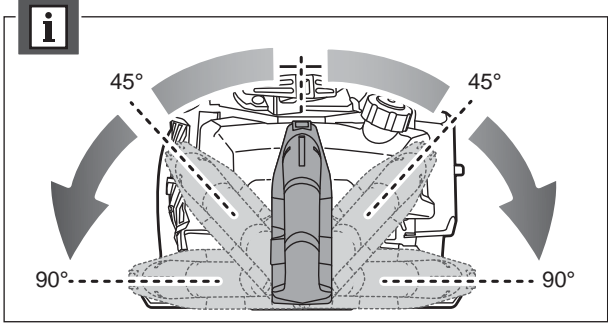
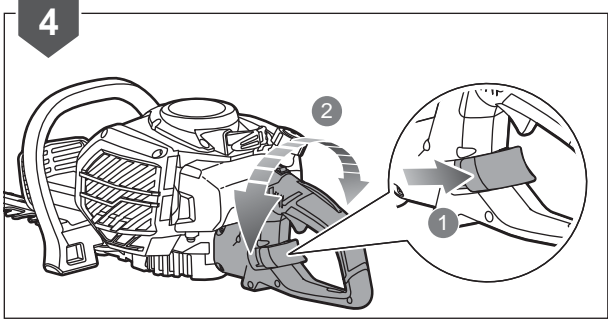
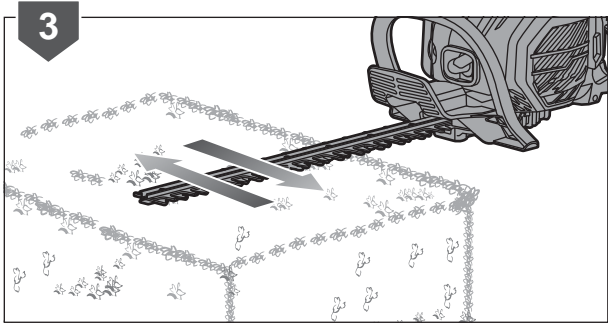


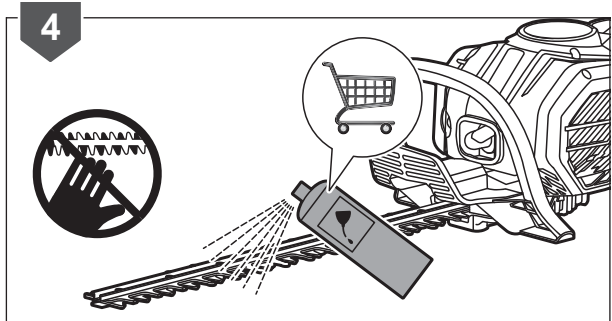
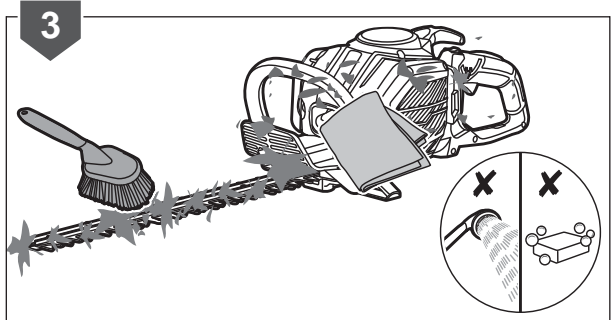
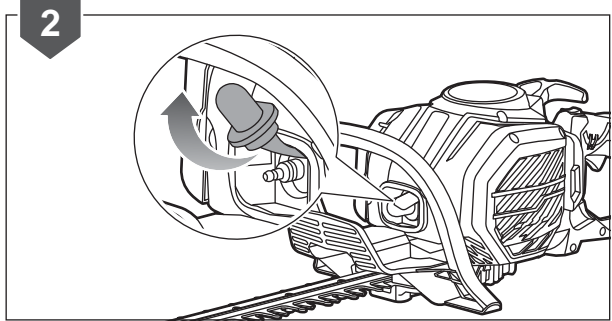
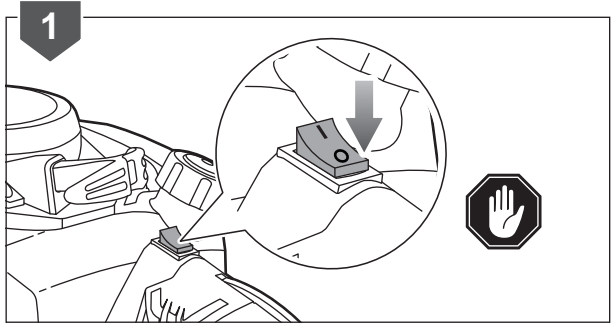
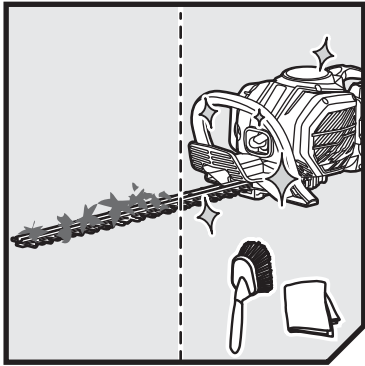


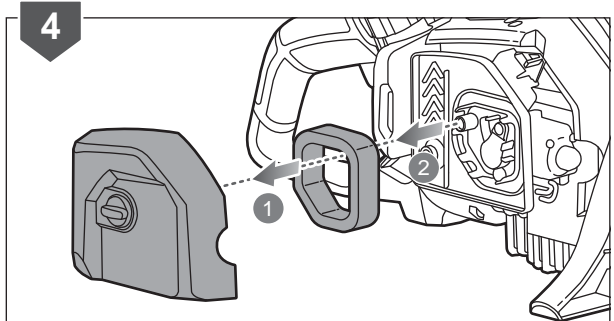
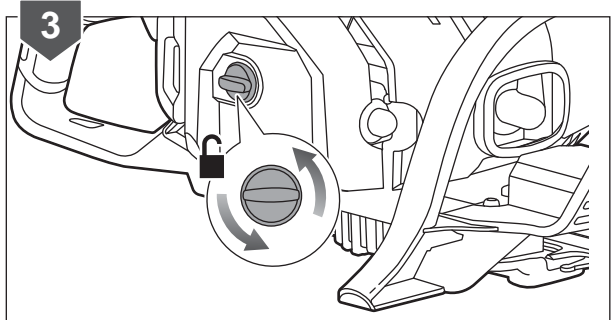
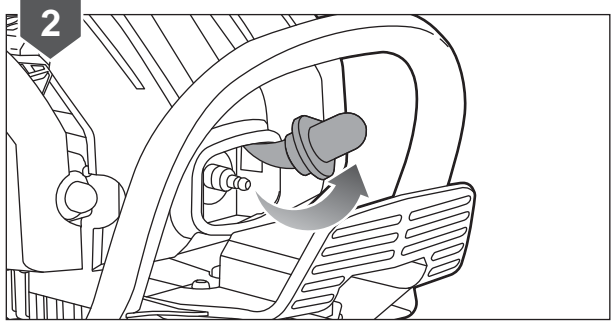
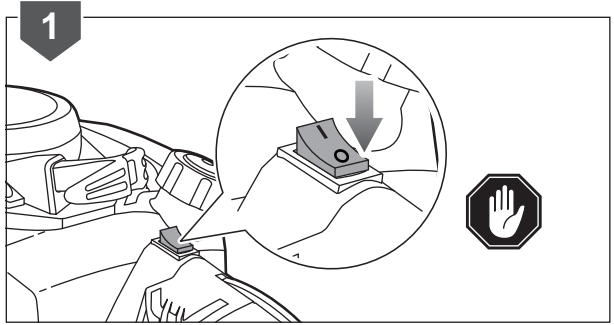
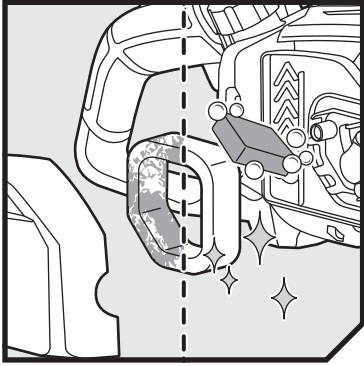


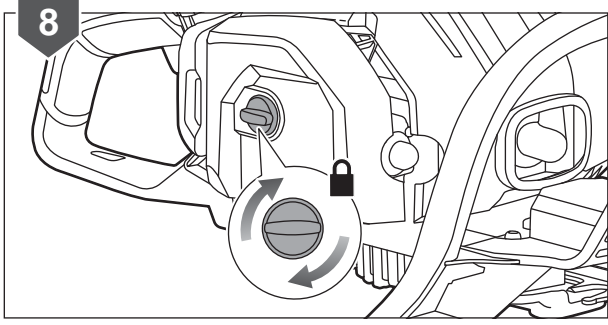
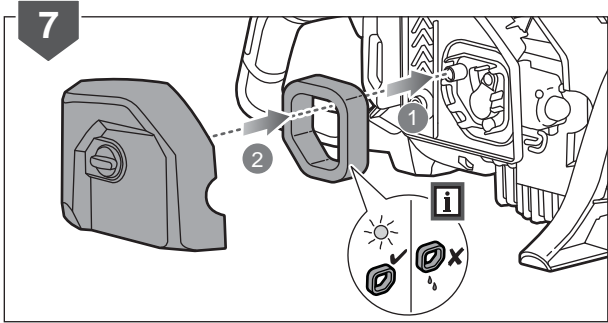
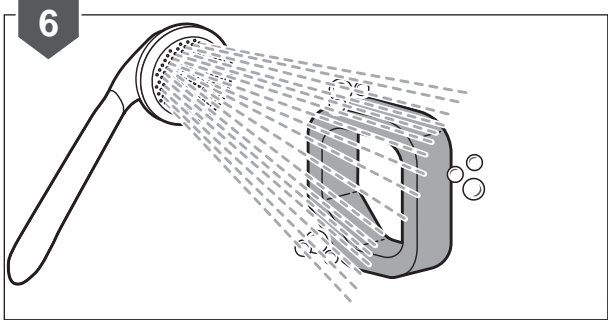
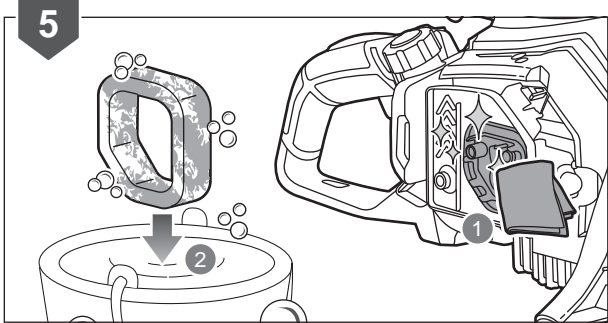


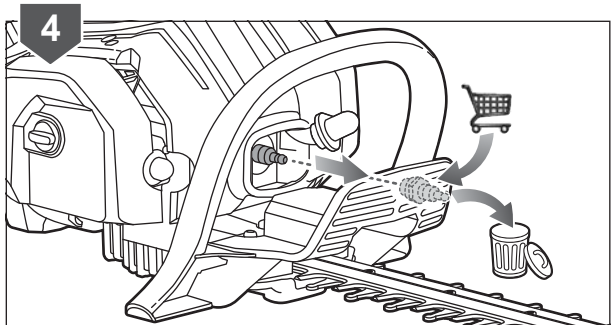
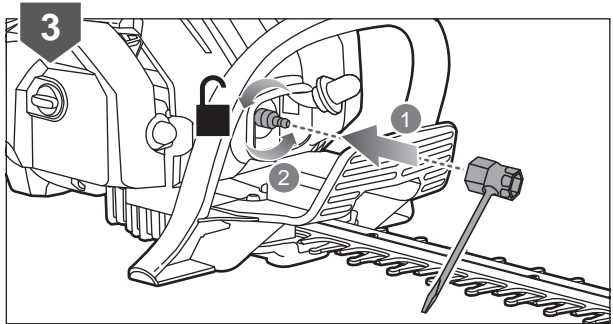
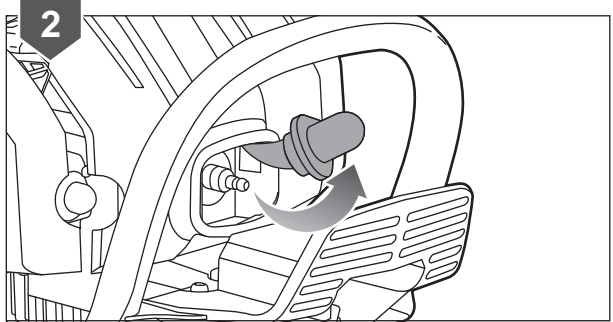
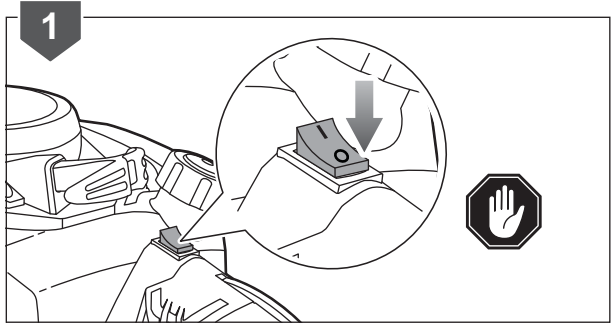
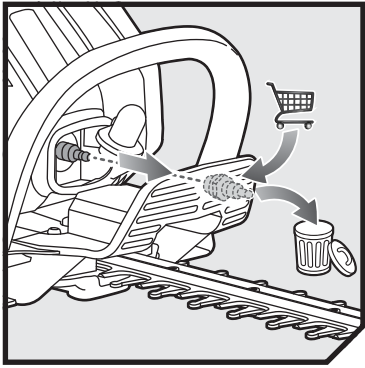


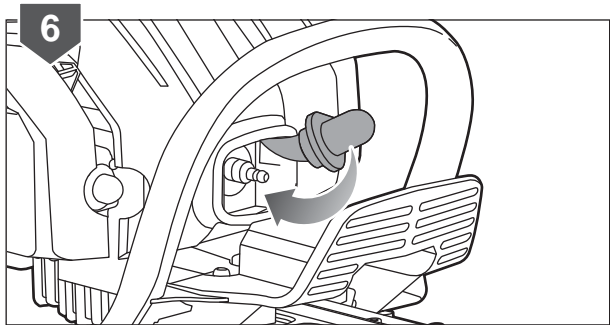
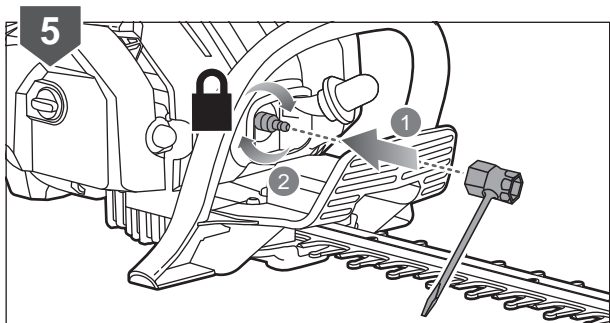


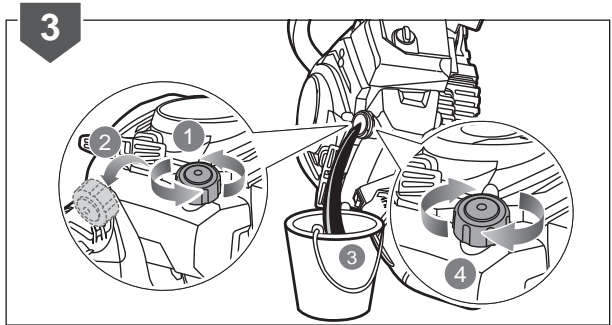
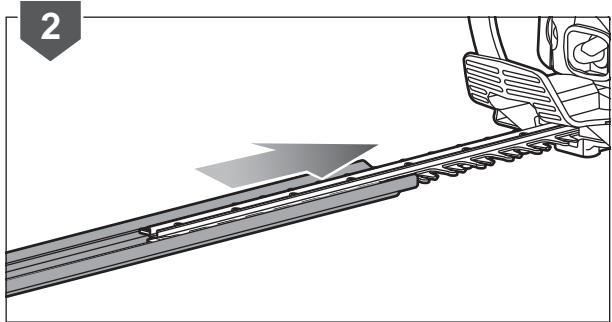
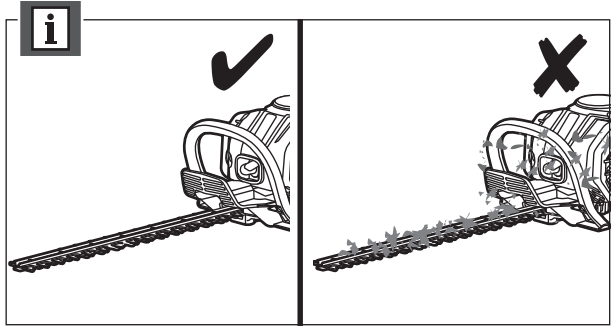
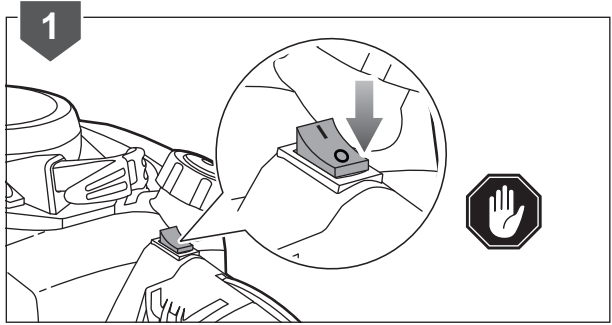
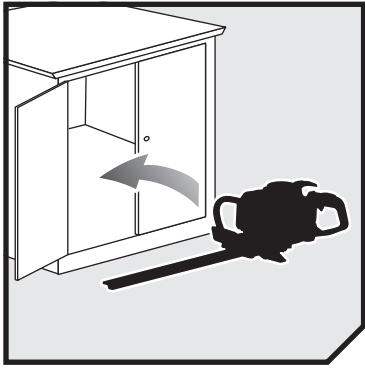


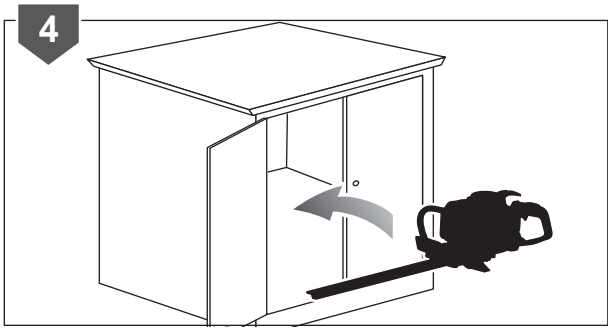
















English	Français	Deutsch	Español	Italiano
Product specifications	Caractéristiques produit	Produkt-Spezifikationen	Características del producto	Caratteristiche del prodotto
Petrol hedge trimmer	Taille-haie à essence	Benzinbetriebene Heckenschere	Cortasetos de gasolina	Tosasierpi a benzina
Model	Modèle	Modellnummer	Modelo	Modello
Engine displacement	Cylindrée du moteur	Motorhubraum	Volumen del motor	Cilindrata motore
Max Engine Performance (in accordance with ISO 8893)	Puissance maximale du moteur (selon ISO 8893)	Maximale Motorleistung (nach ISO 8893)	Potencia máxima del motor (conforme com ISO 8893)	Prestazioni massime motore (in accordo con le norme ISO 8893)
Fuel Consumption (in accordance with ISO 8893) at Max Engine Performance	Consommation de carburant (selon ISO 8893) à puissance maximum	Kraftstoffverbrauch(nach ISO 8893) bei maximaler Motorleistung	Consumo de combustible (de acuerdo con la norma ISO 8893) al alcanzar la potencia máxima del motor	Consumo di carburante (secondo quanto indicato dalla norma ISO 8893) quando il motore è al massimo
Specific Fuel Consumption (in accordance with ISO 8893) at Max Engine Performance	Consommation de carburant spécifique (selon ISO 8893) à puissance maximum	Spezifischer Kraftstoffverbrauch (nach ISO 8893) bei maximaler Motorleistung	Consumo de combustible específico (de acuerdo con la norma ISO 8893) al alcanzar la potencia máxima del motor	Consumo di carburante specifico (secondo quanto indicato dalle norme ISO 8893) alla prestazione massima del motore
Fuel tank capacity	Capacité du réservoir de carburant	Kraftstofftank – Fassungsvermögen	Capacidad del depósito de combustible	Capienza serbatoio del carburante
Blade type: Dual-reciprocating	Type de lame: Double action/ alternative	Klingentyp: Doppelte Auf- und Abbewegung	Tipo de hoja: Alternancia doble	Tipo di lame: Doppie a moto alternativo
Cutting length	Longueur de coupe	Schnittlänge	Longitud de corte	Lunghezza di taglio
Maximum cutting capacity	Capacité maximale de coupe	Maximale Schnittleistung	Capacidad máxima de corte	Capacità massima di taglio
Weight (without fuel)	Poids (sans carburant)	Gewicht (ohne Treibstoff)	Peso (sin combustible)	Peso (senza carburante)
Engine speed (rotational frequency at idle)	Régime moteur (vitesse de rotation) au ralenti	Motorgeschwindigkeit (Umdrehungen) bei Leerlauf	Velocidad del motor (frecuencia rotacional) a ralenti	Velocità del motore (frequenza rotazionale) al minimo
Vibration Level (in accordance with Annex C of EN ISO 10517:2009+A1:2013)	Niveau de vibration (selon l'Annexe C de EN ISO 10517:2009+A1:2013)	Vibrationsgrad (gemäß Anhang C von EN ISO 10517:2009+A1:2013)	Nivel de vibración (de acuerdo con el Anexo C de EN ISO 10517:2009+A1:2013)	Livello vibrazioni (secondo quanto disposto dall'Allegato C della Direttiva EN ISO 10517:2009+A1:2013))
Front handle	Poignée avant	Vorderer Haltegriff	Mango delantero	Manico anteriore
Idling	Au ralenti	Leerlauf	Al ralenti	Al minimo
Racing	En fonctionnement	Hohe Drehzahl	En funcionamiento	In funzione
Equivalent	équivalent	Entspricht	equivalente	Equivalentente
Rear handle	Poignée arrière	Hinterer Haltegriff	Mango trasero	Manico posteriore
Idling	Au ralenti	Leerlauf	Al ralenti	Al minimo
Racing	En fonctionnement	Hohe Drehzahl	En funcionamiento	In funzione
Equivalent	équivalent	Entspricht	equivalente	Equivalentente
Uncertainty of vibration measurement	Incertitude de la mesure des vibrations	Unsicherheit der Vibrationsmessung	Incertidumbre en la medición de vibración	Incertezza misura vibrazioni





Nederlands	Português	Dansk	Svenska	
Productgegevens	Características do aparelho	Produktspecifikationer	Produktspecifikationer	
Benzine-heggenschaar	Recortador de sebas a gasolina	Benzindrevet hækkeklipper	Bensindriven häcktrimmer	
Model	Modelo	Model	Modell	RHT25X55R
Cilinderinhoud motor	Cilindrada do motor	Motor, slagvolumen	Motorförskjutning	25,4 cc
Maximum motorvermogen (in overeenstemming met ISO 8893)	Potência máxima do motor (nos termos da ISO 8893)	Max motorydelse (i henhold til ISO 8893)	Maximal motoreffekt (i enlighet med ISO 8893)	0,8 HP (0.6 kW)
Brandstofverbruik (in overeenstemming met ISO 8893) bij maximum motorvermogen	Consumo de combustível (de acordo com a norma ISO 8893) ao alcançar a potência máxima do motor	Brændstofforbrug (i henhold til ISO 8893) ved max motorydelse	Bränsleförbrukning (i enlighet med ISO 8893) vid maximal motoreffekt	0,45 L/h
Specifiek brandstofverbruik (in overeenstemming met ISO 8893) bij maximum motorvermogen	Consumo de combustível (de acordo com a norma ISO 8893) para alcançar a potência máxima do motor	Specifikt brændstofforbrug (i henhold til ISO 8893) ved max motorydelse	Specifik bränsleförbrukning (i enlighet med ISO 8893) vid maximal motoreffekt	0,68 L/kW.h
Inhoud brandstoftank	Capacidade do depósito de combustível	Benzintank, rumindhold	Bränsletankens volym	0,28 L
Mestype: Dubbel heen-en-weergaand	Tipo de lâmina: Dupla-alternada	Klingetype: Dobbelt frem- og tilbagegående funktion	Bladtyp: Dubbelt recipererande	
Snoeilengte	Comprimento de corte	Skærelængde	Skårlängd	550mm
Maximum snijvermogen	Capacidade máxima de corte	Max skærekapacitet	Max skårkapacitet	32 mm
Gewicht (zonder brandstof)	Peso (sem combustível)	Vægt (uden brændstof)	Vikt (utan bränsle)	5,1 kg
Motorsnelheid (toerental) bij stationair toerental	Velocidade do motor (frequência rotacional) ao ralenti	Motorhastighed (omdrejningsfrekvens) i tomgang	Motorhastighed (rotationsfrekvens) vid tomgång	2800 - 3650 min ⁻¹
Trillingsniveau (in overeenstemming met bijlage C van EN ISO 10517:2009+A1:2013)	Nível de vibração (em conformidade com o Anexo C de EN ISO 10517:2009+A1:2013)	Vibrationsniveau (iht. bilag C til EN ISO 10517:2009+A1:2013)	Vibrationsnivå (enligt Annex C i EN ISO 10517:2009+A1:2013)	
Voorste handvat	Pega frontal	Forhåndtag	Främre handtag	
Motor in vrijloop	Ao ralenti	Tomgang	Tomgångskörning	4,6 m/s ²
Draaiende motor	Em funcionamento	Tophastighed	Racing	8,2 m/s ²
Equivalent	Equivalente	Ækvivalent	Motsvarande	7,7 m/s ²
Achterste handvat	Pega traseira	Baghåndtag	Bakre handtag	
Motor in vrijloop	Ao ralenti	Tomgang	Tomgångskörning	8,2 m/s ²
Draaiende motor	Em funcionamento	Tophastighed	Racing	10,7 m/s ²
Equivalent	Equivalente	Ækvivalent	Motsvarande	10,2 m/s ²
Onzekerheid trillingsmeting	Incerteza da medição da vibração	Usikkerhed ved vibrationsmåling	Osäkerhet i vibrationsmätningen	1,5 m/s ²





Suomi	Norsk	Русский	Polski
Tuotteen tekniset tiedot	Produktspesifikasjoner	Характеристики изделия	Parametry techniczne
Bensiinikäyttöinen pensasleikkuri	Bensindrevet hekksaks	Бензиновый триммер	Benzynowa przycinarka do żywopłotu
Malli	Modell	Модель	Model
Moottorin iskutilavuus	Motorens slagvolum	Рабочий объем мотора	Pojemność skokowa silnika
Moottorin huipputeho (ISO 8893 -standardin mukaisesti)	Maksimum motorytelse (i henhold til ISO 8893)	Максимальная мощность двигателя (в соответствии со стандартом ISO 8893)	Maksymalna wydajność silnika (zgodnie z normą ISO 8893)
Polttoaineenkulutus (ISO 8893 -standardin mukaisesti) moottorin huipputeholla	Drivstofforbruk (i henhold til ISO 8893) ved maksimum motorytelse	Потребление топлива (в соответствии с требованиями ISO 8893) при максимальной нагрузке двигателя	Zużycie paliwa (zgodnie z normą ISO 8893) przy maksymalnej wydajności silnika
Polttoaineen ominaiskulutus (ISO 8893 -standardin mukaisesti) moottorin huipputeholla	Spesifikt drivstofforbruk (i henhold til ISO 8893) ved maksimum motorytelse	Потребление специального топлива (в соответствии с требованиями ISO 8893) при максимальной нагрузке двигателя	Zużycie specyficzne paliwa (zgodnie z normą ISO 8893) przy maksymalnej wydajności silnika
Polttoainesäiliön kapasiteetti	Volum på brennstofftank	Емкость топливного бака	Pojemność zbiornika na paliw
Terän tyyppi: Kahteen suuntaan edestakaisin liikkuva	Tanntype: Dobbelt stempel	Тип лезвия: Двойное реципрокное	Typ ostrza: Podwójne, przesuwne
Leikkuupituus	Skjærelengde	Длина резания	Długość cięcia
Maksimileikkuukapasiteetti	Maksimum kappekapasitet	Максимальный диаметр обрезаемой ветки	Maksimalne wymiary cięcia
Paino (ilman polttoainetta)	Vekt (uten drivstoff)	Вес (без топлива)	Masa (bez paliwa)
Moottorin nopeus (kiertotaajuus) tyhjäkäynnillä	Motorhastighet (rotasjonsfrekvens) ved tomgang	Обороты двигателя на холостом ходу	Prędkość (obrotowa) silnika na biegu jałowym
Tärinätaso (standardin EN ISO 10517:2009+A1:2013 liitteen C mukaisesti)	Vibrasjonsnivå (iht. tillegg C i EN ISO 10517:2009+A1:2013)	Уровень вибрации (в соответствии с Приложением С стандарта EN ISO 10517:2009+A1:2013)	Poziom wibracji (zgodnie z aneksem C normy EN ISO 10517:2009+A1:2013)
Etukädensija	Fremre håndtak	Передняя ручка	Uchwyt przedni
Tyhjäkäynnillä	Tomgang	На холостом ходу	Bieg jałowy
Huipponopeudella	Rusing	При работе	Obroty robocze
Ekvivalentti	Tilsvarende	эквивалентного	Równoważny
Takakädensija	Bakre håndtak	Задняя ручка	Uchwyt tylny
Tyhjäkäynnillä	Tomgang	На холостом ходу	Bieg jałowy
Huipponopeudella	Rusing	При работе	Obroty robocze
Ekvivalentti	Tilsvarende	эквивалентного	Równoważny
Tärinämittauksen epätarkkuus	Usikkerhet ved vibrasjonsmåling	Погрешность измерения вибрации	Niepewność pomiaru natężenia drgań



Čeština	Magyar	Română	Latviski	
Technické údaje produktu	Termék műszaki adatai	Specificațiile produsului	Produkta specifikācijas	
Benzínový plotostřih	Benzines sövényvágó	Unealtă cu benzină pentru tund gardul viu	Benzína dzinēja krūmu šķēres	
Model	Típus	Model	Modelis	RHT25X55R
Obsah válce	Hengerűrtartalom	Cilindree	Dzinēja darba tilpums	25,4 cc
Maximální výkon motoru (v souladu s ISO 8893)	Maximális motorteljesítmény (az ISO 8893 szerint)	Performanță maximă a motorului (în conformitate cu ISO 8893)	Maksimālā dzinēja veikspēja (saskaņā ar ISO 8893)	0,8 HP (0,6 kW)
Spotřeba paliva (v souladu s ISO 8893) při maximálním výkonu motoru	Üzemanyagfogyasztás maximális motorteljesítményen (az ISO 8893 szerint)	Consumul de combustibil (în conformitate cu ISO 8893) la performanță maximă a motorului	Degvielas patēriņš (saskaņā ar ISO 8893) pie maksimālās dzinēja veikspējas	0,45 L/h
Specifická spotřeba paliva (v souladu s ISO 8893) při maximálním výkonu motoru	Fajlagos üzemanyagfogyasztás maximális motorteljesítményen (az ISO 8893 szerint)	Consumul specific de combustibil (în conformitate cu ISO 8893) la performanță maximă a motorului	Īpatnējais degvielas patēriņš (saskaņā ar ISO 8893) pie maksimālās dzinēja veikspējas	0,68 L/kW.h
Obsah palivové nádrže	Üzemanyagtartály űrtartalom	Capacitatea rezervorului de carburant	Degvielas tvertnes ietilpība	0,28 L
Typ čepele: Duální návratnost	Kés típusa: Kettős működésű dugattyúk	Tip lamă: Lamă cu tăiere dublă	Asmens tips: Dubultais - sānkustības	
Délka stříhu	Vágási hossz	Lungime de tăiere	Griešanas garums	550mm
Maximální řezací kapacita	Maximális vágási teljesítmény	Capacitate maximă de tăiere	Maksimālā griešanas jauda	32 mm
Váha (bez paliva)	Súly (üzemanyag nélkül)	Greutate (fără carburant)	Svars (bez degvielas)	5,1 kg
Rychlost motoru (frekvence otáčení) při volnoběhu	Motor fordulatszám (forgási frekvencia) alapjáraton	Turație motor (frecvență de rotație) la ralanti	Dzinēja ātrums (rotēšanas frekvence) tukšgaitā	2800 - 3650 min ⁻¹
Úroveň vibrací (v souladu s přílohou C normy EN ISO 10517:2009+A1:2013)	Vibrációs szint (az EN ISO 10517:2009+A1:2013 C függeléke szerint)	Nivel de vibrație (în conformitate cu Anexa C a EN ISO 10517:2009+A1:2013)	Vibrācijas līmenis (saskaņā ar direktīvas EN ISO 10517:2009+A1:2013 C pielikumu)	
Přední rukojeť	Elülső fogantyú	Mâner anterior	Priekšējais rokturis	
Volnoběh	Alapjártat	Ralanti	Tukšgaita	4,6 m/s ²
Plný výkon	Max. fordulatszám	Funcționare	Darba veikšana	8,2 m/s ²
Ekvivalentní	Egyenértékű	Echivalent	Ekvivalents	7,7 m/s ²
Zadní rukojeť	Hátsó fogantyú	Mâner posterior	Aizmugurējais rokturis	
Volnoběh	Alapjártat	Ralanti	Tukšgaita	8,2 m/s ²
Plný výkon	Max. fordulatszám	Funcționare	Darba veikšana	10,7 m/s ²
Ekvivalentní	Egyenértékű	Echivalent	Ekvivalents	10,2 m/s ²
Nejistota měření vibrací	Vibrációmérés bizonytalansága	Abaterea la măsurarea vibrațiilor	Vibrācijas mērījuma nenoteiktība	1,5 m/s ²

Lietuviškai	Eesti	Hrvatski	Slovensko
Gaminio techninės savybės	Toote tehnilised andmed	Specifikacije proizvoda	Specifikacije izdelka
Benzinu varomos gyvatvorių žirklys	Bensiinimootoriga hekilõikur	Benzinski trimer za živicu	Bencinski obrezovalnik za žive meje
Modelis	Mudel	Model	Model
Cilindro talpa	Mootori kubatuur	Cilindar	Premik motorja
Maksimalus variklio darbas (pagal standartą ISO 8893)	Mootori maksimaalvõimsus (vastavalt standardile ISO 8893)	Maksimalna učinkovitost motora (u skladu s ISO 8893)	Maksimalna moč motorja (skladno z ISO 8893)
Kuro sąnaudos (pagal standartą ISO 8893) varikliui veikiant maksimalia galia	Kütusekulu mootori maksimaalvõimsusel (vastavalt standarditele ISO 8893)	Potrošnja goriva (u skladu s ISO 8893) kod maksimalne učinkovitosti motora	Poraba goriva (skladno z ISO 8893) pri maksimalni moči motorja
Specifinio kuro sąnaudos (pagal standartą ISO 8893) varikliui veikiant maksimalia galia	Kütusekulu mootori maksimaalvõimsusel (vastavalt standardile ISO 8893)	Specifična potrošnja goriva (u skladu s ISO 8893) kod maksimalne učinkovitosti motora	Specifična poraba goriva (skladno z ISO 8893) pri maksimalni moči motorja
Degalų bako talpa	Kütusepaagi mahutavus	Kapacitet spremnika za gorivo	Zmogljivost posode za gorivo
Mentės tipas: Dvigubas grįžtamasis slenkamasis judėjimas	Lõikeetera tüüp: Kahepoolne	Vrsta noža: Dvostruki s recipročnim hodom	Tip rezila: Dvojno povratno
Pjovimo ilgis	Tera pikkus	Duljina rezanja	Dolžina rezanja
Maksimalus pjovimo našumas	Maksimaalne lõikevõime	Največja zmogljivost rezanja	Največja zmogljivost rezanja
Svoris (be degalų)	Kaal (ilma kütuset)	Teža (brez goriva)	Teža (brez goriva)
Variklio greitis (sukimosi dažnis) tuščiaja eiga	Mootori kiirus (pöörlemissagedus) tühikäigul	Število vrtijajev motorja (frekvenca vrtenja) v prostem teku	Število vrtijajev motorja (frekvenca vrtenja) v prostem teku
Vibracijos lygis (pagal EN ISO 10517:2009+A1:2013 standarto C priedą)	Vibratsioonitase (vastavalt standardi EN ISO 10517:2009+A1:2013 lisale C)	Nivo vibracij (v skladu z dodatkom C standarda EN ISO 10517:2009+A1:2013)	Nivo vibracij (v skladu z dodatkom C standarda EN ISO 10517:2009+A1:2013)
Priekinė rankena	Eesmine käepide	Prednja ručka	Sprednji ročaj
Tuščioji eiga	Tühikäik	U praznom hodu	Prosti tek
Smarkiausias veikimas	Tõökäik	U radu	Obremenitev
Ekvivalentiškas	Ekvivalentne	Ekvivalentno	Ekvivalent
Galinė rankena	Tagumine käepide	Stražnja ručica	Zadnji ročaj
Tuščioji eiga	Tühikäik	U praznom hodu	Prosti tek
Smarkiausias veikimas	Tõökäik	U radu	Obremenitev
Ekvivalentiškas	Ekvivalentne	Ekvivalentno	Ekvivalent
Vibracijos išmatavimų nepastovumas	Vibratsiooni mõõtemääramatust	Neodređenost mjerenja vibracija	Negotovost meritve vibracij



Slovenčina	България	Українська	Turce	
Špecifikácie produktu	Технически характеристики	Технічні характеристики пристрою	Ürün teknik özellikleri	
Бензинові ножиці на живі плоти	Бензинова ножица за живі плоти	Бензиновий куцоріз	Benzinli çit budama makinesi	
Modelis	Модел	Модель	Model	RHT25X55R
Obsah valca	Работен обем	Зміщення двигуна	Motor kayması	25,4 cc
Maximálny výkon motora (podľa normy ISO 8893)	Максимална производителност на двигателя (в съответствие с ISO 8893)	Максимална потужність двигуна (відповідно до ISO 8893)	Maks. Motor Performansı (ISO 8893 uyarınca)	0,8 HP (0,6 kW)
Spotreba paliva (podľa normy ISO 8893) pri maximálnom výkone motora	Консумация на гориво (съобразно ISO 8893) при максимална производителност на двигателя	Витрата палива (відповідно до ISO 8893) при максималній продуктивності двигуна	Maks. Motor Performansında Yakıt Tüketimi (ISO 8893 uyarınca)	0,45 L/h
Merná spotreba paliva (podľa normy ISO 8893) pri maximálnom výkone motora	Специфічна консумация на гориво (съобразно ISO 8893) при максимална производителност на двигателя	Питома витрата палива (відповідно до ISO 8893) при максималній продуктивності двигуна.	Maks. Motor Performansında Özel Yakıt Tüketimi (ISO 8893 uyarınca)	0,68 L/kW.h
Objem palivovej nádrže	Вместимост на резервоара за гориво	Ємність паливного бака	Yakıt Deposu Kapasitesi	0,28 L
Typ nožov: Dvojité protibežné	Тип на острието: Двусъставно с възвратно-постъпателно движение	Тип леца: Подвійне зворотно - поступальне	Bıçak Tipi: Çift pistonlu	
Dĺžka strihu	Дължина на рязане	Ширина захоплення	Kesme uzunluğu	550mm
Maximálna kapacita rezania	Максимален капацитет на рязане	Максимална потужність рязання	Azami kesme kapasitesi	32 mm
Hmotnosť (bez paliva)	Тегло (без гориво)	Вага (без палива)	Ağırlık (yakıt hariç)	5,1 kg
Rýchlosť motora (frekvencia otáčania) na voľnobehu	Скорост на двигателя (честота на въртене) на празен ход	Число оборотів двигуна (честота обертання) на холостому ходу	Rölantide motor hızı (dönüş frekansı)	2800 - 3650 min ⁻¹
Úroveň vibrácií (v súlade s Dodatkom C v EN ISO 10517:2009+A1:2013)	Ниво на вибрациите (в съответствие с приложение С на EN ISO 10517:2009+A1:2013)	Рівень вібрації (відповідно до EN ISO 10517:2009+A1:2013 додаток С)	Titreşim seviyesi (EN ISO 10517:2009+A1:2013, Ek C uyarınca)	
Predná rukoväť	Предна ръкохватка	Передня ручка	Ön Kulp	
Voľnobeh	На празен ход	Холостий хід	Rölantiye Alma	4,6 m/s ²
Beh	Работен режим	Розгін	Çalışır durumda	8,2 m/s ²
Ekvivalentná	Еквивалентно	Еквивалент	Eşdeğer	7,7 m/s ²
Zadná rukoväť	Задна ръкохватка	Задня ручка	Arka Kulp	
Voľnobeh	На празен ход	Холостий хід	Rölantiye Alma	8,2 m/s ²
Beh	Работен режим	Розгін	Çalışır durumda	10,7 m/s ²
Ekvivalentná	Еквивалентно	Еквивалент	Eşdeğer	10,2 m/s ²
Nesopahlivost' meraní vibrácií	Несигурност на измерването на вибрациите	Похибка вимірювання вібрації	Titreşim ölçümü bilinmiyor	1,5 m/s ²





English	Français	Deutsch	Español	Italiano
Product specifications	Caractéristiques produit	Produkt-Spezifikationen	Características del producto	Caratteristiche del prodotto
Petrol hedge trimmer	Taille-haie à essence	Benzinbetriebene Heckenschere	Cortasetos de gasolina	Tosasierpi a benzina
Model	Modèle	Modellnummer	Modelo	Modello
Sound Pressure Level at Operator Position (LpA) (in accordance with Annex D of EN ISO 10517:2009+A1:2013)	Niveau de pression sonore émis au niveau de l'utilisateur (selon l'Annexe D de EN ISO 10517:2009+A1:2013)	Schalldruckpegel in der Position des Benutzers (entsprechend Anhang D von EN ISO 10517:2009+A1:2013)	Nivel de presión acústica de emisión en la posición del operador (según el Anexo D de la norma EN ISO 10517:2009+A1:2013)	Livello di emissioni pressione sonora alla posizione dell'operatore (secondo quanto indicato dall'Allegato D della norma EN ISO 10517:2009+A1:2013)
Idling	Au ralenti	Leerlauf	Al ralenti	Al minimo
Racing	En fonctionnement	Hohe Drehzahl	En funcionamiento	In funzione
Equivalent	équivalent	Entspricht	equivalente	Equivalentente
Uncertainty	Incertitude	Unsicherheit	Incertidumbre	Incertezza
Sound Power Level (in accordance with Annex D of EN ISO 10517:2009)	Niveau de puissance sonore (selon l'Annexe D de EN ISO 10517:2009)	Schallenergiepegel (entsprechend Anhang D von EN ISO 10517:2009)	Nivel de la potencia sonora (según el Anexo D de la norma EN ISO 10517:2009)	Livello potenza sonora (secondo quanto indicato dall'Allegato D della norma EN ISO 10517:2009)
Idling	Au ralenti	Leerlauf	Al ralenti	Al minimo
Racing	En fonctionnement	Hohe Drehzahl	En funcionamiento	In funzione
Equivalent	équivalent	Entspricht	equivalente	Equivalentente
Uncertainty	Incertitude	Unsicherheit	Incertidumbre	Incertezza

Replacement parts	Pièces de Rechange	Ersatzteile	Piezas de repuesto	Parti di ricambio
Spark plug	Bougie d'allumage:	Zündkerze	Bujía	Candela
Spark plug electrode gap	Distance entre les électrodes de la bougie	Elektrodenlücke der Zündkerze	Distancia entre electrodos de la bujía	Distanza dell'elettrodo della candela





Nederlands	Português	Dansk	Svenska	
Productgegevens	Características do aparelho	Produktspecifikationer	Produktspecifikationer	
Benzine-heggschaar	Recortador de sebas a gasolina	Benzindrevet hækkeklipper	Bensindriven häcktrimmer	
Model	Modelo	Model	Modell	RHT25X55R
Emissie geluidsrukniveau in de bedienpositie (in overeenstemming met bijlage D van EN ISO 10517:2009+A1:2013).	Nível de emissão de pressão sonora na posição do operador (segundo o Anexo D da norma EN ISO 10517:2009+A1:2013)	Lydtryksniveau på operatørposition (i henhold til bilag D til EN ISO 10517:2009+A1:2013)	Strålände ljudtrycksnivå på operatørpositionen (enligt Annex D av EN ISO 10517:2009+A1:2013)	
Motor in vrijloop	Ao ralenti	Tomgang	Tomgångskörning	69,6 dB(A)
Draaiende motor	Em funcionamento	Tophastighed	Racing	92,3 dB(A)
Equivalent	Equivalente	Ækvivalent	Motsvarande	91,3 dB(A)
Onzekerheid	Incerteza	Usikkerhed	Osäkerhet	2,5 dB
Geluidsniveau (in overeenstemming met bijlage D van EN ISO 10517:2009).	Nível da potência sonora (segundo o Anexo D da norma EN ISO 10517:2009)	Lydeffektniveau (i henhold til bilag D til EN ISO 10517:2009)	Ljudnivå (enligt Annex D av EN ISO 10517:2009)	
Motor in vrijloop	Ao ralenti	Tomgang	Tomgångskörning	82,1 dB(A)
Draaiende motor	Em funcionamento	Tophastighed	Racing	102,4 dB(A)
Equivalent	Equivalente	Ækvivalent	Motsvarande	101,4 dB(A)
Onzekerheid	Incerteza	Usikkerhed	Osäkerhet	2,5 dB

Vervangonderdelen	Peças de substituição	Reserve dele	Utbytesdelar	
Bougie	Vela	Tændrør	Tändstift	
Speling voor electrode van de bougie	Folga dos eléctrodos da vela de ignição	Elektrodeafstand tændrør	Tändstiftets elektrodavstånd	



Suomi	Norsk	Русский	Polski
Tuotteen tekniset tiedot	Produktspesifikasjoner	Характеристики изделия	Parametry techniczne
Bensiinikäyttöinen pensasleikkuri	Bensindrevet hekksaks	Бензиновый триммер	Benzynowa przycinarka do żywopłotu
Malli	Modell	Модель	Model
Käyttäjään kohdistuva äänenpainetaso (standardin EN ISO 10517:2009+A1:2013 liitteen D mukaan)	Utslipp av lydtrykk der operatøren befinner seg (hennhold til Tillegg D i EN ISO 10517:2009+A1:2013)	Уровень звукового давления на месте работы оператора (в соответствии с Приложением D стандарта EN ISO 10517:2009+A1:2013)	Poziom ciśnienia akustycznego w pobliżu operatora (zgodnie z aneksem D normy EN ISO 10517:2009+A1:2013)
Tyhjäkäynnillä	Tomgang	На холостом ходу	Bieg jałowy
Huipponopeudella	Rusing	При работе	Obroty robocze
Ekvivalentti	Tilsvarende	эквивалентного	Równoważny
Epätarkkuus	Usikkerhet	Погрешность	Niepewność pomiaru
Ääniteho (standardin EN ISO 10517:2009 liitteen D mukaan)	Lydeffektivita (hennhold til Tillegg D i EN ISO 10517:2009)	Уровень звуковой мощности (в соответствии с Приложением D стандарта EN ISO 10517:2009)	Poziom natężenia akustycznego (zgodnie z aneksem D normy EN ISO 10517:2009)
Tyhjäkäynnillä	Tomgang	На холостом ходу	Bieg jałowy
Huipponopeudella	Rusing	При работе	Obroty robocze
Ekvivalentti	Tilsvarende	эквивалентного	Równoważny
Epätarkkuus	Usikkerhet	Погрешность	Niepewność pomiaru

Varaosat	Erstatningsdeler	Запасные части	Części zamienne
Sytytystulppa	Tennplugg	Свеча зажигания	Świeca zapłonowa
Sytytystulpan eketrodivali	Elektrodeapning pa tennplugg	Зазор между электродами свечи зажигания	Szczelina międzyelektrodowa świecy zapłonowej



Čeština	Magyar	Română	Latviski	
Technické údaje produktu	Termék műszaki adatai	Specificațiile produsului	Produkta specifikācijas	
Benzínový plotostřih	Benzines sövényvágó	Unealtă cu benzină pentru tund gardul viu	Benzína dzinēja krūmu šķēres	
Model	Típus	Model	Modeļis	RHT25X55R
Emisní hladina akustického tlaku na stanovišti obsluhy (v souladu s přílohou D normy EN ISO 10517:2009+A1:2013)	Emissziós hangnyomásszint a kezelő helyzeténél (az EN ISO 10517:2009+A1:2013 D. függeléke szerint)	Nivelul presiunii emisiilor sonore în poziția operatorului (în conformitate cu anexa D la EN ISO 10517:2009+A1:2013)	Emisijas skaņu spiediena līmenis operatora pozīcijā (saskaņā ar EN ISO 10517:2009+A1:2013 D pielikumu)	
Volnoběh	Alapjárat	Ralanti	Tukšgaita	69,6 dB(A)
Plný výkon	Max. fordulatszám	Funcționare	Darba veikšana	92,3 dB(A)
Ekvivalentní	Egyenértékű	Echivalent	Ekvivalents	91,3 dB(A)
Nejistota	Bizonytalanság	Incertitudine	Nenoteiktība	2,5 dB
Hladina akustického výkonu (v souladu s přílohou D normy EN ISO 10517:2009)	Hangteljesítményszint (az EN ISO 10517:2009 D. függeléke szerint)	Nivel de putere a zgomotului (în conformitate cu anexa D la EN ISO 10517:2009)	Skaņas jaudas līmenis (saskaņā ar EN ISO 10517:2009 D pielikumu)	
Volnoběh	Alapjárat	Ralanti	Tukšgaita	82,1 dB(A)
Plný výkon	Max. fordulatszám	Funcționare	Darba veikšana	102,4 dB(A)
Ekvivalentní	Egyenértékű	Echivalent	Ekvivalents	101,4 dB(A)
Nejistota	Bizonytalanság	Incertitudine	Nenoteiktība	2,5 dB

Náhradní díly	Cserealkatrészek	Piese de schimb	Rezerves daļas	
Zapalovací svíčka	Gyújtógyertya	Bujie	Aizdedzes svece	
Mezielektrodová vzdálenost zapalovací svíčky	Gyújtógyertya elektródköze	Spațiuł dintre electrozii bujiei	Attālums starp aizdedzes sveces elektrodiem	



Lietuviškai	Eesti	Hrvatski	Slovensko
Gaminio techninės savybės	Toote tehnilised andmed	Specifikacije proizvoda	Specifikacije izdelka
Benzinu varomos gyvatvorių žirklys	Bensiinimootoriga hekilõikur	Benzinski trimmer za živicu	Bencinski obrezovalnik za žive meje
Modelis	Mudel	Model	Model
Garso spaudimo lygis operatoriaus padėtyje (pagal standarto EN ISO 10517:2009+A1:2013 D priedą)	Helirõhu emissioonitase juhi töökojal (vastavalt standardi EN ISO 10517:2009+A1:2013 lisale D)	Razina zvučnog tlaka u položaju operatera (u skladu s Dodatkom D od EN ISO 10517:2009+A1:2013)	Raven emisij zvočnega tlaka na položaju upravljavca (v skladu z aneksom D v EN ISO 10517:2009+A1:2013)
Tuščioji eiga	Tühikäik	U praznom hodu	Prosti tek
Smarkiausias veikimas	Tõökäik	U radu	Obremenitev
Ekvivalentiškas	Ekvivalentne	Ekvivalentno	Ekvivalent
Nepastovumas	Määramatus	Neodređenost	Negotovost
Garso galingumo lygis operatoriaus ausims (pagal standarto EN ISO 10517:2009 D priedą)	Helivõimsuse tase (vastavalt standardi EN ISO 10517:2009 lisale D)	Razina zvučne snage (u skladu s Dodatkom D od EN ISO 10517:2009)	Raven zvučne moči (v skladu z aneksom D v EN ISO 10517:2009)
Tuščioji eiga	Tühikäik	U praznom hodu	Prosti tek
Smarkiausias veikimas	Tõökäik	U radu	Obremenitev
Ekvivalentiškas	Ekvivalentne	Ekvivalentno	Ekvivalent
Nepastovumas	Määramatus	Neodređenost	Negotovost

Atsarginės detalės	Asendusosad	Zamjena dijelova	Nadomestni deli
Uždegimo žvakė	Sūūtekūūnal	Svjećica	Vžigalna svečka
Tarpelis tarp uždegimo žvakės elektrodų	Sūūtekūūnla elektrodide vahernik	Razmak elektroda svjećice	Razmak elektrod vžigalne svečke

Slovenčina	България	Українська	Turce	
Špecifikácie produktu	Технически характеристики	Технічні характеристики пристрою	Ürün teknik özellikleri	
Бензинові ножиці на живі плет	Бензинова ножица за жив плет	Бензиновий куцоріз	Benzinli çit budama makinesi	
Modelis	Модел	Модель	Model	RHT25X55R
Emisná hladina akustického tlaku na pozícii obsluhujúcej osoby (v súlade s Dodatkom D normy EN ISO 10517:2009+A1:2013)	Нивото на налягането на излъчвания шум на мястото на оператора (в съответствие с приложение D на EN ISO 10517:2009+A1:2013)	Рівень звукового тиску на робочому місці оператора (згідно з додатком D EN ISO 10517:2009+A1:2013)	Kullanıcı pozisyonundaki emisyon ses basıncı seviyesi (EN ISO 10517:2009+A1:2013, Ek D uyarınca)	
Voľnobeh	На празен ход	Холостий хід	Rölantiye Alma	69,6 dB(A)
Beh	Работен режим	Розгін	Çalışır durumda	92,3 dB(A)
Ekvivalentná	Еквивалентно	Еквівалент	Eşdeğer	91,3 dB(A)
Neurčitost'	Променливост	Похибка	Belirsiz	2,5 dB
Hladina akustického výkonu (v súlade s Dodatkom D normy EN ISO 10517:2009)	Ниво на сила на шума (в съответствие с приложение D на EN ISO 10517:2009)	Рівень звукової потужності (згідно з додатком D EN ISO 10517:2009)	Ses gücü seviyesi (EN ISO 10517:2009, Ek D uyarınca)	
Voľnobeh	На празен ход	Холостий хід	Rölantiye Alma	82,1 dB(A)
Beh	Работен режим	Розгін	Çalışır durumda	102,4 dB(A)
Ekvivalentná	Еквивалентно	Еквівалент	Eşdeğer	101,4 dB(A)
Neurčitost'	Променливост	Похибка	Belirsiz	2,5 dB

Náhradné diely	Резервни части	Запасні частини	Yedek Parça	
Zapaľovacia sviečka	Запалителна свещ	Свічка запалювання	Buji	
Vzdialenosť medzi elektródami zapaľovacej sviečky	Електродна междина на запалителната свещ	Відстань між електродами свічки запалювання	Buji elektrot boşluğu	

EN RYOBI® WARRANTY APPLICATION CONDITIONS

In addition to any statutory rights resulting from the purchase, this product is covered by a guarantee as stated below.

- The warranty period is 24 months for consumers and commences on the date when the product was purchased. This date has to be documented by an invoice or other proof of purchase. The product is designed and dedicated to consumer and private use only. So there is no warranty provided in case of professional or commercial use.
- There is a possibility to extend for a part of the range of garden tools (AC/DC) the warranty period over the period described above using the registration on the www.ryobitools.eu website. The eligibility of the tools for extension of the warranty period is clearly displayed in stores and / or on packaging / and contained within the product documentation. The end user needs to register his/her newly-acquired tools online within 30 days from the date of purchase. The end user may register for the extended warranty in his country of residence if listed on the online registration form where this option is valid. Furthermore, end users must give their consent to the storage of the data that are required to be entered online, and they have to accept the terms and conditions. The registration confirmation receipt, which is sent out by e-mail, and the original invoice showing the date of purchase will serve as proof of the extended warranty.
- The warranty covers all defects of the product during the warranty period due to defaults in workmanship or material at the purchase date. The warranty is limited to repair and/or replacement and does not include any other obligations including but not limited to incidental or consequential damages. The warranty is not valid if the product has been misused, used contrary to the instruction manual, or being incorrectly connected. This warranty does not apply to:
 - any damage to the product that is the result of improper maintenance
 - any product that has been altered or modified
 - any product where original identification (trade mark, serial number) markings have been defaced, altered or removed
 - any damage caused by non-observance of the instruction manual
 - any non CE product
 - any product that has been attempted to be repaired by a non-qualified professional or without prior authorization by Techtronix Industries
 - any product connected to improper power supply (amps, voltage, frequency)
 - any product used with inappropriate fuel mixture (fuel, oil, percentage of oil)
 - any damage caused by external influences (chemical, physical, shocks) or foreign substances
 - normal wear and tear spare parts
 - inappropriate use, overloading of the tool
 - use of non-approved accessories or parts
 - Any periodic adjustments to or maintenance cleaning of carburetors
 - Components (parts and accessories) subject to natural wear and tear, including but not limited to bump knobs, drive belts, clutch, blades of hedge trimmers or lawn mowers, harness, cable throttle, carbon brushes, power cord, tines, felt washers, hitch pins, blower fans, blower and vacuum tubes, vacuum bag and straps, guide bars, saw chains, hoses, connector fittings, spray nozzles, wheels, spray wands, inner reels, outer spools, cutting lines, spark plugs, air filters, gas filters, mulching blades, etc.
- For servicing, the product must be sent or presented to a RYOBI authorized service station listed for each country in the following list of service station addresses. In some countries your local RYOBI dealer undertakes to send the product to the RYOBI service organisation. When sending a product to a RYOBI service station, the product should be safely packed without any dangerous contents such as petrol, marked with sender's address and accompanied by a short description of the fault.
- A repair / replacement under this warranty is free of charge. It does not constitute an extension or a new start of the warranty period. Exchanged parts or tools become our property. In some countries delivery charges or postage will have to be paid by the sender. Your statutory rights arising from the purchase of the tool remain unaffected
- This warranty is valid in the European Community, Switzerland, Iceland, Norway, Liechtenstein, Turkey and Russia. Outside these areas, please contact your authorized RYOBI dealer to determine if another warranty applies.

AUTHORISED SERVICE CENTRE

To find an authorised service centre near you, visit <http://uk.ryobitools.eu/header/service-and-support/service-agents>.

FR RYOBI® CONDITIONS D'APPLICATION DE LA GARANTIE

En plus des droits statutaires liés à l'achat, ce produit est couvert par une garantie telle que décrite ci-dessous.

- La durée de la garantie accordée au consommateur est de 24 mois à partir de la date d'achat. Cette date doit être authentifiée par une facture ou toute autre preuve d'achat. Le produit a été conçu en vue d'une utilisation strictement privée. Aucune garantie ne s'applique donc en cas d'utilisation professionnelle ou commerciale.
- Il existe pour une partie de la gamme « jardin » (AC/DC), une possibilité d'étendre la période de garantie au-delà de la période précédemment décrite en utilisant le formulaire d'enregistrement présent sur le site Internet www.ryobitools.eu. L'éligibilité d'un outil est clairement affichée dans les points de vente et/ou sur l'emballage et la documentation. L'utilisateur final doit enregistrer son/ses outil(s) nouvellement acheté(s) en ligne dans les 30 jours qui suivent la date d'achat. L'utilisateur a la possibilité de s'enregistrer pour l'extension de garantie dans son pays de résidence si celui-ci est listé dans le formulaire d'enregistrement en ligne où cette option est valide. L'utilisateur final doit donner son consentement pour l'enregistrement des données requises pour accéder au site et doit accepter les termes et conditions. La confirmation d'enregistrement, envoyée par courrier électronique, ainsi que la facture originale mentionnant la date d'achat serviront de preuve de l'extension de garantie.
- La garantie couvre pendant la période de garantie les défauts des produits liés à la fabrication et aux matériaux à la date d'achat. La garantie est limitée à la réparation et/ou au remplacement et n'inclut aucune autre obligation, tel que, mais sans s'y limiter, les dommages accessoires ou indirects. La garantie est non valable en cas de mauvaise utilisation du produit, d'utilisation contraire aux instructions du mode d'emploi, ou en cas de branchement incorrect. Cette garantie ne s'applique pas pour :
 - tout dommage au produit résultant d'un mauvais entretien
 - tout produit ayant été altéré ou modifié
 - tout produit dont les marquages originaux d'identification (marque, numéro de série) ont été dégradés, altérés ou retirés
 - tout dommage causé par le non-respect des instructions du mode d'emploi
 - tout produit non CE
 - tout produit ayant subi une tentative de réparation par du personnel non qualifié ou sans autorisation préalable de Techtronix Industries
 - tout produit raccordé à une alimentation secteur non conforme (ampérage, voltage, fréquence)
 - tout produit utilisé avec un mélange inapproprié (essence, huile, pourcentage d'huile)
 - tout dommage causé par des influences extérieures (chimiques, physiques, chocs) ou par des substances étrangères
 - l'usure normale des pièces consommables
 - une utilisation inappropriée, une surcharge de l'outil
 - l'utilisation de pièces ou accessoires non agréés
 - Tout réglage périodique ou tout nettoyage de maintenance des carburateurs
 - les composants (pièces et accessoires) sujets à une usure naturelle, incluant de façon non exhaustive les têtes de fil à frapper, les courroies de transmission, les embrayages, les lames des taille-haies ou des tondeuses à gazon, les harnais, les câbles d'accélérateur, les charbons, les cordons d'alimentation, les fraises de cultivateurs, les rondelles feutre, les goupilles de fraise, les turbines et lame de broyage des souffleurs, les tubes de soufflage et d'aspiration des souffleurs, les sacs de souffleurs et leurs lanières, les guides-chaîne, les chaînes de tronçonneuses, les tuyaux et raccords, les buses et lances de nettoyeurs haute pression, les roues, les recharges de fil des têtes de coupe, les têtes de coupe, le fil de coupe, les bougies d'allumage, les filtres à air, les filtres à essence, etc.
- Si le produit doit être réparé, envoyez-le à un service après-vente agréé RYOBI dont vous trouverez ci-dessous la liste pour chaque pays. Dans certains pays, votre revendeur RYOBI se chargera d'envoyer le produit à un centre de réparation RYOBI. Lorsque vous envoyez un produit à un service après-vente RYOBI, celui-ci doit être correctement emballé, sans contenir aucun produit dangereux tel que de l'essence, et vous devez indiquer votre adresse ainsi qu'une courte description du problème.
- Une réparation / un remplacement sous garantie est gratuit(e). Ceci ne constituera pas une extension de garantie ni un nouveau départ de la période de garantie. Les pièces ou les outils remplacés deviennent notre propriété. Dans certains pays, les frais de port devront être assumés par l'expéditeur. Vos droits statutaires restent inchangés.
- Cette garantie est valable au sein de l'Europe, de la Suisse, de l'Islande, de la Norvège, du Liechtenstein, de la Turquie, de la Russie. En dehors de ces zones, veuillez contacter votre distributeur agréé RYOBI pour déterminer si une autre garantie s'applique.

SERVICE APRÈS-VENTE AGRÉÉ

Pour trouver le service après-vente agréé le plus proche, rendez-vous sur <http://fr.ryobitools.eu/header/service-and-support/service-agents>.

DE RYOBI® GARANTIEBEDINGUNGEN

Zusätzlich zu den gesetzlichen Rechten aus dem Kauf gilt für dieses Produkt die nachstehend aufgeführte Garantie.

- Der Garantiezeitraum beträgt für Verbraucher 24 Monate und beginnt mit dem Datum des Kaufs. Dieses Datum muss durch eine Rechnung oder einen anderen Kaufbeleg dokumentiert werden. Dieses Produkt wurde ausschließlich zur privaten Nutzung durch Verbraucher entwickelt. Für den Fall einer professionellen bzw. kommerziellen Nutzung besteht daher keine Garantie.
- Es besteht die Möglichkeit, für einen Teil des Sortiments der Gartenwerkzeuge (AC/DC) den Garantiezeitraum über den oben genannten Zeitraum hinaus zu verlängern, indem der Verbraucher die Registrierung auf der Website www.ryobitools.eu durchführt. Die Berechtigung der Werkzeuge für die Garantieverlängerung ist deutlich im Geschäft und/oder auf der Verpackung beschrieben und in der Produktdokumentation erwähnt. Der Verbraucher muss das neu erworbene Gerät online innerhalb von 30 Tagen ab dem Kaufdatum registrieren. Der Verbraucher kann das Gerät zwecks Garantieverlängerung in seinem Wohnsitzland/Heimatland registrieren, wenn dieses Land auf dem Online-Registrierungsformular aufgeführt und die Option gültig ist. Darüber hinaus muss der Verbraucher seine Zustimmung zur Speicherung der Daten geben, die online eingegeben werden müssen, und er muss die allgemeinen Geschäftsbedingungen akzeptieren. Die Bestätigung der Registrierung, die per E-Mail versandt wird, und die Originale Rechnung mit dem Kaufdatum gelten als Beleg für die Garantieverlängerung.
- Die Garantie deckt alle Defekte des Geräts während des Garantiezeitraums ab, die auf zum Zeitpunkt des Kaufs bestehende Verarbeitungs- oder Materialfehler zurückzuführen sind. Die Garantie beschränkt sich auf Reparatur und/oder Ersatz und beinhaltet keine anderen Verpflichtungen, insbesondere keinen Schadenersatz für Folge- oder Nebenschäden. Die Garantie gilt nicht, wenn das Gerät fehlerhaft eingesetzt wurde, gegenseitlich zur Bedienungsanleitung eingesetzt wurde oder falsch angeschlossen wurde. Die Garantie gilt nicht für Folgendes:
 - Schäden am Gerät, die auf unkorrekte Wartung zurückzuführen sind
 - Geräte, an denen Veränderungen vorgenommen wurden
 - Produkte, bei denen die ursprüngliche Identifizierung (Handelsmarke, Seriennummer) unleserlich gemacht, verändert oder entfernt wurde
 - Schäden durch Nichtbeachtung der Bedienungsanleitung
 - nicht-CE-zertifizierte Geräte
 - Geräte, an denen durch nicht-qualifizierte Personen oder ohne vorherige Genehmigung von Techtronic Industries Reparaturversuche vorgenommen wurden
 - Geräte, die an unkorrekte Energiequellen (Ampere, Volt, Frequenz) angeschlossen wurden
 - Geräte, die mit einer fehlerhaften Treibstoffmischung (Treibstoff, Öl, Öltanteil) betrieben wurden
 - Schäden durch äußere Einflüsse (chemisch, physisch, Stöße) oder Fremdstoffe
 - normaler Verschleiß von Ersatzteilen
 - unangemessene Nutzung, Überlastung des Geräts
 - Nutzung nicht genehmigter Zubehörteile oder Ersatzteile
 - Regelmäßige Einstellung oder Wartungsreinigung des Vergasers
 - Komponenten (Ersatzteile und Zubehörteile), die natürlichem Verschleiß unterliegen, einschließlich, aber nicht beschränkt auf Pufferknäufe, Treibriemen, Kupplungen, die Klängen von Heckenscheren oder Rasenmähern, Kabelstränge, Gaszüge, Kohlebürsten, Stromkabel, Zinken, Filzunterlegscheiben, Steckbolzen, Gebläselüfter, Gebläse- und Vakuumschläuche, Vakuumbbeutel und -riemen, Führungsleisten, Kettensägen, Schläuche, Verbinder, Spraydüsen, Räder, Sprühstäbe, Innenrollen, Außenspulen, Schneideanlagen, Zündkerzen, Luftfilter, Gasfilter, Mulchenklängen usw.
- Zum Service muss das Gerät zu einer von RYOBI autorisierten Servicestation gebracht oder dorthin gesendet werden. Die Servicestationen für die einzelnen Länder sind in der folgenden Liste aufgeführt. In einigen Ländern sendet Ihr RYOBI-Händler vor Ort das Gerät an das RYOBI-Serviceunternehmen. Beim Einsenden an die RYOBI-Servicestation sollte das Gerät sicher verpackt sein, ohne gefährliche Inhalte wie Benzin, und es sollte mit der Adresse des Absenders und einer kurzen Beschreibung des Fehlers versehen sein.
- Eine Reparatur bzw. ein Ersatz gemäß dieser Garantie ist kostenlos. Hieraus ergibt sich weder eine Garantieverlängerung noch der Beginn eines neuen Garantiezeitraums. Die ausgetauschten Ersatzteile oder Werkzeuge gehen in unser Eigentum über. In einigen Ländern müssen die Zustellgebühren oder die Versandkosten vom Absender gezahlt werden. Ihre gesetzlichen Rechte aus dem Kauf des Geräts bleiben hiervon unberührt.
- Diese Garantie gilt in der Europäischen Union, der Schweiz, Island, Norwegen, Liechtenstein, der Türkei und Russland. Bitte wenden Sie sich außerhalb dieser Gebiete an Ihren autorisierten RYOBI-Händler, um festzustellen, ob eine andere Garantie gilt.

AUTORISIERTER KUNDENDIENST

Besuchen Sie <http://de.ryobitools.eu/header/service-and-support/service-agents>, um einen autorisierten Kundendienst in Ihrer Nähe zu finden.

ES CONDICIONES DE APLICACIÓN DE LA GARANTÍA DE RYOBI®

Además de cualquier derecho legal derivado de la compra, este producto está cubierto por una garantía que se indica a continuación.

- El periodo de garantía es de 24 meses para consumidores y comienza en la fecha en que se comprara el producto. Dicha fecha debe documentarse con una factura u otro comprobante de compra. El producto está diseñado y concebido únicamente para el uso privado del consumidor. Por lo tanto, no se ofrece garantía en caso de uso profesional o comercial.
- Existe la posibilidad de ampliar el periodo de garantía respecto a una parte de la gama de herramientas de jardinería (CA/CC) durante el periodo descrito más arriba y mediante el registro en el sitio web www.ryobitools.eu. La elegibilidad de las herramientas para que se amplie el periodo de garantía se muestra claramente en las tiendas o en el embalaje y está incluida en la documentación del producto. El usuario final tiene que registrar en línea sus herramientas recientemente adquiridas en un plazo de 30 días a partir de la fecha de compra. El usuario final podrá registrarse para obtener la garantía ampliada en su país de residencia si este aparece en la lista del formulario de registro en línea cuando esta opción sea válida. Además, los usuarios finales deberán dar su consentimiento al almacenamiento de los datos necesarios para el acceso en línea y tienen que aceptar los términos y condiciones. El recibo de confirmación de registro, que se envía por correo electrónico, y la factura original que muestra la fecha de compra servirán como comprobante para la garantía ampliada.
- La garantía cubre todos los defectos del producto durante el periodo de garantía debido a fallos de mano de obra o material en la fecha de compra. La garantía se limita a la reparación o sustitución y no incluye ninguna otra obligación como, por ejemplo, daños accidentales o consecuentes. La garantía no es válida si se ha usado mal el producto, se ha usado contraviniendo el manual de instrucciones o se ha conectado de forma incorrecta. Esta garantía no es aplicable a:
 - ningún daño en el producto que sea consecuencia de un mantenimiento inadecuado
 - ningún producto que haya sido alterado o modificado
 - ningún producto en el que los marcados de identificación originales (marca comercial, número de serie) se hayan borrado, modificado o eliminado
 - ningún daño provocado por no seguir el manual de instrucciones
 - ningún producto que no sea CE
 - ningún producto que haya sufrido un intento de reparación por parte de un profesional no cualificado o sin la autorización previa de Techtronic Industries.
 - ningún producto conectado a un suministro eléctrico inadecuado (amperios, voltaje, frecuencia)
 - ningún producto usado con una mezcla de combustible inadecuada (combustible, aceite, porcentaje de aceite)
 - ningún daño causado por influencias externas (químicas, físicas, impactos) o sustancias extrañas
 - desgaste normal de piezas de repuesto
 - uso inadecuado, sobrecarga de la herramienta
 - uso de accesorios o piezas no aprobados
 - Cualquier ajuste periódico o limpieza de mantenimiento de los carburadores
 - Componentes (piezas y accesorios) sujetos al desgaste natural incluyendo, entre otros, pomos de golpes, correas de transmisión, embragues, cuchillas de cortasetos o cortacésped, ameses, cable del acelerador, escobillas de carbono, cables eléctricos, púas, discos de fieltro, pasadores de enganche, ventiladores de soplador, tubos de aspiración y de soplado, bolsas y correas de aspiración, barras guías, cadenas de sierra, mangueras, herrajes de conectores, boquillas pulverizadoras, ruedas, lanzas pulverizadoras, bobinas interiores, carretes exteriores, líneas de corte, bujías, filtros de aire, filtros de gas, cuchillas de compostaje, etc.
- Para su mantenimiento, el producto debe enviarse o presentarse a una estación de servicio de RYOBI autorizada que figure en la siguiente lista de direcciones de estaciones de servicio por países. En algunos países, su distribuidor RYOBI local se responsabiliza de enviar el producto a la compañía de servicio de RYOBI. Cuando se envíe un producto a una estación de servicio de RYOBI, este debe estar empaquetado de forma segura sin contenidos peligrosos como gasolina, marcado con la dirección del remitente y acompañado de una breve descripción del fallo.
- Una reparación / sustitución con esta garantía es gratuita. No constituye una ampliación ni un nuevo comienzo del periodo de garantía. Las piezas o herramientas intercambiadas pasan a ser de nuestra propiedad. En algunos países, los gastos de envío o correo tendrá que pagarlos el remitente. Sus derechos legales derivados de esta compra de la herramienta no se verán afectados.
- Esta garantía es válida en la Unión Europea, Suiza, Islandia, Noruega, Liechtenstein, Turquía y Rusia. Fuera de estas zonas, póngase en contacto con su distribuidor de RYOBI autorizado para determinar si es aplicable otra garantía.

SERVICIO TÉCNICO AUTORIZADO

Para encontrar el servicio técnico autorizado más cercano, visite <http://uk.ryobitools.eu/header/service-and-support/service-agents>.

IT CONDIZIONI DI VALIDITÀ DELLA GARANZIA RYOBI®

In aggiunta ai diritti di legge risultanti dall'acquisto, il prodotto è coperto dalla garanzia sotto descritta.

- Il periodo di garanzia è di 24 mesi per i consumatori, a decorrere dalla data di acquisto del prodotto. La data deve essere documentata da una fattura o altra prova d'acquisto. Il prodotto è progettato e destinato solo all'utilizzo privato dei consumatori. Pertanto non viene fornita alcuna garanzia in caso di uso professionale o commerciale.
- Per una serie di utensili da giardino (CA/CC) è possibile prolungare il periodo di garanzia oltre quello descritto, registrandosi sul sito web www.ryobitools.eu. Gli utensili per i quali è possibile prolungare il periodo di garanzia sono chiaramente indicati nei negozi e/o sulle confezioni e nella documentazione dei prodotti. L'utente deve registrare online l'utensile acquistato entro 30 giorni dalla data di acquisto. L'utente può registrarsi per la garanzia prolungata nel proprio paese di residenza, se questo è elencato nel modulo di registrazione online dove questa opzione sia valida. Inoltre gli utenti devono fornire il proprio consenso alla conservazione dei dati da immettere online e devono accettare le condizioni generali. La conferma di registrazione, inviata tramite e-mail, e la fattura originale indicante la data di acquisto, costituiranno la prova della garanzia prolungata.
- La garanzia copre tutti i difetti del prodotto durante il periodo di garanzia, risultati da manodopera o materiali alla data di acquisto. La garanzia è limitata alla riparazione e/o sostituzione e non include alcun altro obbligo quali, a mero titolo esemplificativo, i danni incidentali o consequenziali. La garanzia non è valida se il prodotto è stato usato scorrettamente, in modo contrario al manuale di istruzioni o se è stato collegato in modo errato. La garanzia non è valida per:
 - qualsiasi danno al prodotto dovuto a manutenzione errata;
 - qualsiasi prodotto che sia stato alterato o modificato;
 - qualsiasi prodotto le cui marcature di identificazione originali (marchi di fabbrica, numero di serie) siano state cancellate, alterate o rimosse;
 - qualsiasi danno causato dalla non osservanza delle istruzioni del manuale;
 - qualsiasi prodotto privo di omologazione CE;
 - qualsiasi prodotto che sia stato sottoposto a un tentativo di riparazione da parte di un professionista non qualificato oppure senza la previa autorizzazione di Techtronic Industries;
 - qualsiasi prodotto collegato a un'alimentazione errata (per ampere, tensione, frequenza);
 - qualsiasi prodotto usato con una miscela di carburante errata (carburante, olio, percentuale di olio);
 - qualsiasi danno causato da influenze esterne (chimiche, fisiche, urti) o sostanze estranee;
 - la normale usura delle parti di ricambio;
 - uso inappropriato, sovraccarico dell'utensile;
 - uso di accessori o parti non omologate;
 - qualsiasi regolazione periodica o pulizia di manutenzione dei carburatori;
 - componenti (parti e accessori) soggetti alla normale usura compresi, a mero titolo esemplificativo, testine a filo, cinghie di trasmissione, frizioni, lame di tagliasièpi o tagliaerba, imbragature, cavi di accelerazione, spazzole al carbonio, cavi di alimentazione, denti, rondelle di feltro, perni di aggancio, ventole dei soffiatori, tubi di soffiatori e aspiratori, sacchetti e cinghie per aspirapolvere, barre guida, catene per seghe, tubi, raccordi di connessione, ugelli di spruzzo, ruote, erogatori, bobine interne ed esterne, linee di taglio, candele, filtri dell'aria, filtri del gas, lame per mulching ecc.
- Per la manutenzione il prodotto dev'essere spedito o portato presso uno dei centri assistenza autorizzati RYOBI elencati per ogni paese nel seguente elenco di indirizzi dei centri. In alcuni paesi il rivenditore locale RYOBI si incarica di inviare il prodotto all'organizzazione di assistenza RYOBI. Quando si invia un prodotto a un centro assistenza RYOBI, imballarlo in modo sicuro senza contenuti pericolosi come la benzina, apporre l'indirizzo del mittente e accompagnarlo da una breve descrizione del guasto.
- La riparazione/sostituzione ai sensi della presente garanzia è gratuita. Non costituisce un prolungamento o un nuovo inizio del periodo di garanzia. Le parti o gli utensili scambiati diventano di nostra proprietà. In alcuni paesi i costi di consegna o di spedizione postale devono essere pagati dal mittente. I diritti di legge derivanti dall'acquisto dell'utensile rimangono inalterati.
- La presente garanzia è valida in Unione Europea, Svizzera, Islanda, Norvegia, Liechtenstein, Turchia e Russia. Al di fuori di tali aree contattare il rivenditore autorizzato RYOBI per sapere se è valida un'altra garanzia.

CENTRO SERVIZI AUTORIZZATO

Per individuare il più vicino centro servizi autorizzato, visitare il sito <http://uk.ryobitools.eu/header/service-and-support/service-agents>.

NL RYOBI® GARANTIEVOORWAARDEN

Naast de wettelijke rechten die voortvloeien uit de aankoop, wordt dit product gedekt door een garantie, zoals hieronder staat vermeld.

- De garantietermijn voor consumenten bedraagt 24 maanden en gaat in op de datum waarop het product is gekocht. Deze datum moet worden gedocumenteerd met een factuur of een ander aankoopbewijs. Het product is uitsluitend ontworpen en bedoeld voor persoonlijk gebruik door consumenten. Er wordt dus geen garantie gegeven voor professioneel of commercieel gebruik.
- Voor een deel van ons aanbod van tuingereedschappen (AC/DC) is het mogelijk om de garantietermijn te verlengen over de boven beschreven termijn, met behulp van de website www.ryobitools.eu. De gereedschappen die in aanmerking komen voor de verlenging van de garantietermijn wordt duidelijk weergegeven in winkels en/of verpakkingen en staat beschreven in de productdocumentatie. De eindgebruiker moet zijn/haar nieuw gekochte gereedschappen binnen 30 dagen na aankoop online registreren. De eindgebruiker kan zich registreren voor de verlengde garantietermijn als zijn woonland staat vermeld op het online registratieformulier waar deze optie geldig is. Bovendien moeten eindgebruikers toestemming geven voor de opslag van de gegevens die online ingevuld moeten worden en moeten ze de algemene voorwaarden accepteren. Het ontvangstbewijs van de registratie, dat per e-mail wordt verzonden en de oorspronkelijke factuur met de aankoopdatum vormt het bewijs van de verlengde garantietermijn.
- De garantie dekt tijdens de garantietermijn alle gebreken van het product vanwege defecten in vakmanschap of materiaal op de aankoopdatum. De garantie is beperkt tot reparatie en/of vervanging en bevat geen andere verplichtingen, waaronder maar niet beperkt tot incidentele of gevolgschade. De garantie is niet geldig als het product is misbruikt, in strijd met de gebruiksaanwijzing wordt gebruikt of onjuist is aangesloten. Deze garantie geldt niet voor:
 - alle schade aan het product die het gevolg is van onjuist onderhoud
 - elk product dat is veranderd of aangepast
 - elk product waar de oorspronkelijke identificatie (handelsmerk, serienummer) is beschadigd, gewijzigd of verwijderd
 - alle schade die is veroorzaakt door het niet opvolgen van de gebruiksaanwijzing
 - elk niet-CE-product
 - elk product waar een poging tot reparatie is gedaan door een niet-erkende professional of zonder voorafgaande toestemming door Techtronic Industries.
 - elk product dat is verbonden met een verkeerde voeding (amperage, spanning, frequentie)
 - elk product dat wordt gebruikt met een verkeerd brandstofmengsel (brandstof, olie, oliegehalte)
 - alle schade die is veroorzaakt door externe invloeden (chemisch, fysisch, schokken) of vreemde stoffen
 - normale slijtage van reserveonderdelen
 - ongepast gebruik, overbelasting van het gereedschap
 - gebruik van niet-goedgekeurde accessoires of onderdelen
 - Alle periodieke aanpassingen aan of het onderhoud en reiniging van carburateurs
 - Componenten (onderdelen en accessoires) die onderhevig zijn aan natuurlijke slijtage, waaronder maar niet beperkt tot stootknoppen, aandrijfriemen, koppelingen, messen van hegtrimmers of grasmaaiers, harnas, gaskabel, koolstofborstels, stroomsoeren, tanden, viltringen, koppelingsspannen, blazers, blaas- en zuigbuizen, zuigzakken en -riemen, geleidingsstaven, zaagkettingen, slang, koppelingen, mondstukken, wielen, spuitstukken, binnenhaspels, buitenhaspels, snijdraden, bougies, luchtfilters, gasfilters, maaimessen, etc.
- Voor onderhoud moet het product worden verzonden of gebracht naar een erkend servicecentrum van RYOBI die voor elk land staan vermeld in de volgende lijst met adressen voor servicecentra. In sommige landen zal uw lokale RYOBI-dealer het product verzenden naar de RYOBI-serviceorganisatie. Wanneer u het product naar een servicecentrum van RYOBI verzendt, moet het product veilig worden verpakt zonder enige gevaarlijke inhoud, zoals benzine, met het adres van de afzender en vergezeld van een korte beschrijving van het defect.
- Een reparatie/vervanging die onder deze garantie valt is gratis. Het vormt geen verlenging of een nieuwe start van de garantietermijn. Verwisselde onderdelen of gereedschappen worden ons eigendom. In sommige landen moeten de verzendkosten door de afzender worden betaald. Uw wettelijke rechten die voortvloeien uit de aankoop van het gereedschap blijven onaangetaast.
- Deze garantie is geldig in de Europese Gemeenschap, Zwitserland, IJsland, Noorwegen, Liechtenstein, Turkije en Rusland. Buiten deze gebieden moet u contact opnemen met uw erkende RYOBI-dealer om vast te stellen of er een andere garantie van toepassing is.

GEAUTORISEERD ONDERHOUDSCENTRUM

Om een geautoriseerd onderhoudscentrum in uw buurt te vinden, surf u naar <http://uk.ryobitools.eu/header/service-and-support/service-agents>.

PT CONDIÇÕES DE APLICAÇÃO DA GARANTIA RYOBI®

Para além de quaisquer direitos previstos por lei resultantes da compra, este produto está coberto por uma garantia conforme descrição abaixo.

- O período da garantia é de 24 meses para consumidores particulares e inicia-se na data de compra do produto. Esta data tem de ser documentada por uma factura ou por outra prova de compra. O produto foi concebido para e destina-se apenas a consumidores particulares e uso privado. Assim, não é dada garantia em caso de utilização por profissionais ou uso comercial.
- Para uma parte da gama de ferramentas de jardim (AC/DC) existe a possibilidade de prolongamento do período da garantia para além do período descrito acima, mediante registo no Web site www.ryobitools.eu. A elegibilidade das ferramentas para prolongamento do período da garantia é claramente visível nas lojas e/ou nas embalagens e está contida na documentação do produto. O utilizador final tem de fazer o registo online das suas ferramentas recém-adquiridas no prazo de 30 dias após a data de compra. O utilizador final pode fazer o registo para prolongamento da garantia no seu país de residência, desde que esteja listado no formulário de registo online e para os casos em que esta opção seja válida. Para além disso, os utilizadores finais têm de autorizar o armazenamento dos dados cujo preenchimento lhes for solicitado online e têm de aceitar os termos e as condições. O recibo de confirmação do registo é enviado por e-mail e, em conjunto com a factura original ostentando a data de compra, servirá de prova do prolongamento da garantia.
- A garantia cobre todos os defeitos do produto durante o período da garantia devidos a defeitos de fabrico ou de material à data da compra. A garantia está limitada à reparação e/ou substituição e não inclui quaisquer outras obrigações, incluindo mas não se limitando a, perdas complementares ou indirectas. A garantia não é válida se o produto tiver sido utilizado incorrectamente, utilizado de forma contrária ao Manual de Instruções ou se as respectivas ligações tiverem sido feitas incorrectamente. Esta garantia não se aplica ao seguinte:
 - quaisquer danos ao produto que sejam resultado de manutenção incorrecta
 - qualquer produto que tenha sido alterado ou modificado
 - qualquer produto cujas marcações de identificação de origem (marca comercial, número de série) tiverem sido apagadas, alteradas ou retiradas
 - quaisquer danos causados pelo incumprimento do Manual de Instruções
 - qualquer produto que não seja da Comunidade Europeia
 - qualquer produto ao qual tenha sido feita, ou tentada fazer, uma reparação por outra pessoa que não um profissional habilitado ou sem autorização prévia da Technronic Industries.
 - qualquer produto ligado a uma fonte de alimentação eléctrica incorrecta (Amperes, Voltagem e Frequência)
 - qualquer produto utilizado com uma mistura de combustível incorrecta (combustível, óleo, percentagem de óleo)
 - qualquer dano causado por influências externas (químicas, físicas, impactos) ou substâncias estranhas
 - desgaste e degradação normal de sobresselentes
 - utilização incorrecta, sobrecarga da ferramenta
 - utilização de acessórios ou peças não aprovados
 - quaisquer ajustes periódicos a, ou limpeza de manutenção de, carburadores
 - Componentes (peças e acessórios) sujeitos a desgaste e degradação natural, incluindo mas não se limitando a, maçanetas anti-choque, correias de transmissão, embraiagens, lâminas de recortadores de sebes ou corta-relvas, arneses, cabos de acelerador, escovas de carvão, cabos eléctricos, dentes, anilhas de feltro, pinos de engate, ventoinhas do soprador, tubos do soprador e do aspirador, cintas e sacos do aspirador, barras de guia, correntes de serra, mangueiras, peças de ligação, bocais de pulverização, rodas, varinhas de pulverização, bobinas interiores, bobinas exteriores, linhas de corte, velas de ignição, filtros do ar, filtros de gasolina, lâminas trituradoras, etc.
- Para assistência, o produto tem de ser enviado para, ou apresentado em, um posto de assistência autorizado RYOBI, conforme listado para cada país na lista de moradas de postos de assistência seguinte. Nalguns países, o seu concessionário RYOBI local encarrega-se de enviar o produto para a organização de assistência RYOBI. Quando enviar um produto para um posto de assistência RYOBI, o produto deve ser embalado de forma segura, sem conter nenhuns conteúdos perigosos (por exemplo, gasolina), marcado com o endereço do remetente e acompanhado por uma breve descrição da avaria.
- Uma reparação/substituição ao abrigo desta garantia é gratuita. Não constitui um prolongamento a, nem um novo início de, o período da garantia. As peças ou ferramentas substituídas tornam-se propriedade nossa. Nalguns países, o remetente terá de pagar os custos de entrega ou a remessa postal. Os seus direitos previstos por lei resultantes da compra da ferramenta mantêm-se inalterados
- Esta garantia é válida na Comunidade Europeia, Suíça, Islândia, Noruega, Liechtenstein, Turquia e Rússia. Fora destas áreas, entre em contacto com o seu concessionário autorizado RYOBI para determinar se existe outra garantia aplicável.

CENTRO DE ASSISTÊNCIA AUTORIZADO

Para encontrar um centro de assistência autorizado próximo de si, visite <http://uk.ryobitools.eu/header/service-and-support/service-agents>.

DA RYOBI® BETINGELSER FOR GARANTI

Udover lovbestemte rettigheder, som resulterer af købet, er dette produkt dækket af en garanti, som anført herunder.

- Garantiperioden er 24 måneder for forbrugere og begynder på den dato, som produktet blev købt. Denne dato skal dokumenteres af en faktura eller andet bevis for køb. Produktet er udelukkende designet og dedikeret til forbrugere og privat brug. Så der ydes ingen garanti i tilfælde af professionel eller kommerciel brug.
- Der er en mulighed for at forlænge garantiperioden for en del af udvalget af haveværktøj (AC/DC), hen over den ovenfor beskrevne periode vha. registrering på hjemmesiden www.ryobitools.eu. Berettigelsen af værktøjet til forlængelse af garantiperioden er tydeligt vist i butikker og/eller på emballage/og indeholdt i produktokumentationen. Slutbruger skal registrere hans/hendes nyligt indkøbte værktøj online indenfor 30 dage efter købsdatoen. Slutbruger kan registrere sig for den forlængede garanti i sit land, hvis han/hun er opført på den online registreringsformular, hvor denne mulighed er gyldig. Derudover skal slutbrugere give deres samtykke til at opbevare data, som er påkrævet at indtaste online, og de er nødt til at acceptere vilkår og betingelser. Registreringsbekræftelseskvitteringen, som sendes ud på e-mail, og den originale faktura, som viser købsdatoen, vil fungere som bevis for den forlængede garanti.
- Garantien dækker alle defekter, som et produkt måtte have i løbet af garantiperioden, og som skyldes fejl i håndværk eller materiale på købsdatoen. Garantien er begrænset til reparation og/eller udskiftning og inkluderer ikke andre forpligtelser, inklusiv men ikke begrænset til tilfældige skader eller følgeskader. Garantien er ugyldig, hvis produktet er blevet misbrugt, brugt uden at overholde vejledningen, eller det er blevet forkert tilsluttet. Denne garanti gælder ikke:
 - Beskadigelse af produktet, som er et resultat af uegnet vedligeholdelse
 - Et produkt der er blevet ændret eller modificeret
 - Et produkt hvor de originale identifikationsmærkninger (varemærke, serienummer) er blevet ødelagt, ændret eller fjernet.
 - Enhver beskadigelse forårsaget af manglende overholdelse af vejledningen
 - Ethvert CE-produkt
 - Ethvert produkt som er blevet forsøgt repareret af en ukvalificeret professionel eller uden tidligere autorisation af Technronic Industries.
 - Ethvert produkt som er tilsluttet uegnet strømforsyning (ampere, spænding, frekvens)
 - Ethvert produkt som bruges med uegnet brændstofblanding (brændstof, olie, procentdel olie)
 - Enhver skade forårsaget af eksternt påvirkning (kemisk, fysisk, chok) eller fremmedlegemer
 - Normal slid på reservedele
 - Uegnet brug, overbelastning af værktøjet
 - Brug af ikke-godkendt tilbehør eller dele
 - Alle regelmæssige justeringer eller vedligeholdelsesrensning af karburatorer
 - Komponenter (dele og tilbehør) som er udsat for naturlig slid og ælde, inklusiv men ikke begrænset til drejeknapper, drivrem, greb, klinger til hækketrimmere eller plæneklypere, sele, kabel gasspjæld, kulbørster, elledning, tænder, filtskiver, ophængstapper, blæserventilatorer, blæser- og sugeslanger, sugesepe og stropper, styrestyngler, savkæder, slanger, forbindelsespakninger, sprøjtedyser, hjul, sprøjtetæve, indvendige ruller, udvendige ruller, udvendige spoler, skærelinjer, tændrør, luftfiltre, gasfiltre, tildekkningsblade etc.
- For eftersyn skal produktet sendes til eller præsenteres for en RYOBI-autoriseret servicestation, som er oplistet for hvert land i den følgende liste over servicestationsadresser. I nogle lande påtager din lokale RYOBI-forhandler sig ansvaret for at sende produktet til RYOBI-serviceorganisationen. Når et produkt sendes til en RYOBI-servicestation, skal det pakkes sikkert ind uden noget farligt indhold som benzin, mærkes med afsenderens adresse og med en kort beskrivelse af fejlen.
- En reparation/erstatning under denne garanti er gratis. Den udgør ikke en forlængelse eller en ny start på garantiperioden. Udvekslede dele eller værktøjer bliver vores ejendom. I nogle lande skal leveringsafgifter eller porto betales af afsenderen. Denne lovbestemte rettigheder i forbindelse med købet forbliver uanfægtede
- Denne garanti gælder i EU, Schweiz, Island, Norge, Liechtenstein, Tyrkiet og Rusland. Udover disse områder bedes du kontakte din autoriserede RYOBI-forhandler for at afgøre, om en anden garanti gælder.

AUTORISEREDE SERVICE/VERKSTEDER

Find nærmeste autoriserede serviceværksted på <http://dk.ryobitools.eu/header/service-and-support/service-agents>.

SV RYOBI® ANVÄNDNINGSVILLKOR FÖR GARANTI

Förutom eventuella lagstadgade rättigheter som uppstår genom köpet, täcks den här produkten av en garanti som anges nedan.

- Garantiperioden är 24 månader för konsumenter och börjar gälla från det datum då produkten köptes. Detta datum måste dokumenteras på en faktura eller annat köpbevis. Produkten är utformad och avsedd för konsumenter och privat bruk. Däremot tillhandahålls ingen garanti vid yrkesmässigt eller kommersiellt bruk.
- Det finns möjlighet att förlänga garantiperioden för en del av utbudet för trädgårdsverktyg (AC/DC) under den period som anges ovan genom att använda registreringen på webbplatsen www.ryobitools.eu. De verktyg som är berättigade till en förlängning av garantiperioden visas tydligt i butik och/eller på förpackningen/och anges i produktdokumentationen. Slut användaren behöver registrera hans/hennes nyförvärvade verktyg online inom 30 dagar från köpdatumet. Slut användaren kan registrera sig för den förlängda garantin i det land där han/hon bor om landet finns angivet i registreringsformuläret online och där detta alternativ är giltigt. Dessutom måste slut användaren ge sitt medgivande till lagring av data vilket krävs vid registrering online samt acceptera villkoren. Bekräftelsekvittot för registreringen som skickas ut via e-post och originalfakturan som visar köpdatumet kommer att gälla som bevis för den förlängda garantin.
- Garantin täcker alla produktdefekter under garantiperioden som beror på buster i utförande eller material vid köpdatumet. Garantin är begränsad gällande reparation och/eller utbyte och inkluderar inte några skyldigheter inklusive men inte begränsat till oförutsedda skador eller följdskador. Garantin är inte giltig om produkten har missbrukats, använts i strid med bruksanvisningen eller inte anslutits på rätt sätt. Denna garanti täcker inte:
 - eventuella skador på produkten som uppstått till följd av felaktigt underhåll
 - produkter som har ändrats eller modifierats
 - produkter där ursprungliga identifieringsmärken (varumärke, serienummer) har målats över, ändrats eller tagits bort
 - eventuella skador som uppstått till följd av att bruksanvisningen inte efterföljs
 - alla icke CE-produkter
 - eventuella produkter som har försökt repareras av en icke-kvalificerad yrkesman eller utan föregående medgivande från Techtron Industries.
 - eventuella produkter som anslutits till felaktig strömförsörjning (ampere, volt, frekvens)
 - eventuella produkter som använts med olämplig bränsleblandning (bränsle, olja, oljeprocent)
 - eventuella skador som uppstått till följd av yttre påverkan (kemisk, fysisk, stöt) eller främmande ämnen
 - normalt slitage av reservdelar
 - olämplig användning, överbelastning av verktyget
 - användningen av icke-godkända tillbehör eller delar
 - Eventuella periodiska justeringar av eller vid underhållsrengöring av förgasare
 - Komponenter (delar och tillbehör) är föremål för naturligt slitage, inklusive men inte begränsat till tryckknappar, drivremmar, koppling, blad till kantrimrar eller gräsclippare, sele, gasreglageväjare, kolborstar, strömladd, spetsar, filterbrickor, kopplingssprint, blåsfåkt, blås- och sugrör, sugpåse och remmar, styrskenor, sågkedjor, slangar, anslutningsdonrördel, spraymunstycken, hjul, spraystavar, innerrullar, ytterspolar, skärtråd, tändstift, luftfilter, gasfilter, sönderdelningsblad osv.
- Vid service måste produkten skickas eller uppvisas för en RYOBI- auktoriserad servicestation som står angiven för varje land i följande adresslista över servicestationer. I vissa länder tar din lokala RYOBI- återförsäljare på sig ansvaret att skicka produkten till RYOBI- serviceorganisationen. När en produkt skickas till en RYOBI- servicestation, ska produkten paketeras säkert utan något farligt innehåll såsom bensin, markeras med avsändarens adress samt en kort beskrivning av felet.
- En reparation/ett utbyte under denna garanti är kostnadsfri. Det utgör inte en förlängning eller förnyelse av garantiperioden. Utbyta delar eller verktyg blir vår egendom. I vissa länder måste leveranskostnader eller porto betalas av avsändaren. Dina lagstadgade rättigheter som härrör från köpet av verktyget förblir opåverkade
- Denna garanti är giltig i Europeiska gemenskapen: Schweiz, Island, Norge, Liechtenstein, Turkiet och Ryssland. Utanför dessa länder, kontakta din auktoriserade RYOBI-återförsäljare för att avgöra om en annan garanti gäller.

AUKTORISERAT SERVICECENTER

Du hittar närmaste auktoriserade servicecenter genom att gå till <http://uk.ryobitools.eu/header/service-and-support/service-agents>.

FI RYOBI®-TAKUUN SOVELTAMISEHDOT

Tällä tuotteella on oston luomien lakisäasteiden oikeuksien ohella alla mainitun mukainen takuu.

- Takuun kesto on kuluttajille 24 kuukautta ja takuuaika alkaa tuotteen ostohetkestä. Tämän päivämäärän tulee lukea laskussa tai muussa ostotositteessa. Tuote on suunniteltu ja tarkoitettu vain kuluttajien ja yksityiseen käyttöön. Takuu ei sisällä ammatti- eikä kaupallista käyttöä.
- Joidenkin puutarhayökalujen (AC/DC) takuun kesto on mahdollista laajentaa yllä mainittua kestoja pidemmäksi verkkosivuston www.ryobitools.eu rekisteröinnin kautta. Työkalujen kelpoisuus takuujakson laajennukseen näkyy selkeästi myymälössään jätäi pakkauksissa ja/tai tämä tieto sisältyy tuotedokumentaatioon. Loppukäyttäjän täytyy rekisteröidä vasta hankitut työkalut internetissä 30 päivän kuluessa ostopäivämäärästä. Loppukäyttäjän voi rekisteröidä laajennettun takuun kotimaassaan, jos se on luetteluna online-rekisteröintilomakkeessa, jossa mainitaan, missä tämä vaihtoehto on voimassa. Loppukäyttäjien täytyy lisäksi hyväksyä tietojen tallennus, jotka heidän täytyy antaa online-tiassa sekä ehdot. Rekisteröintiin vahvistuskuitti, joka lähetetään sähköpostitse, ja alkuperäinen ostopäivämäärän ilmaiseva lasku toimivat laajennettun takuun tositteina.
- Takuu kattaa kaikki tuotteeseen takuuaikana tulevat vikat, joiden aiheuttajina ovat tuotteen ostopäivänä olleet valmistus- tai materiaaliavikat. Takuu on rajoitettu korjaukseen ja/tai vaihtoon eikä se sisällä mitään muita velvoitteita mukaan lukien satunnais- ja seurannaisvahinkoja, mutta rajoittumatta niihin. Takuu ei päde, jos tuotetta on käyretty väärin, käyttöohjeen vastaisesti tai jos se on liitetty virheellisesti. Tämä takuu ei kata:
 - virheellisestä huollosta johtuvia vaurioita
 - muunnettua tai muutettua tuotetta
 - tuotetta, jonka alkuperäiset tunnistemerkinnät (tavaramerkki, sarjanumero) on turmeltu, muutettu tai poistettu
 - tämän käyttöoppaan laiminlyönnistä johtuvia vaurioita
 - ei-CE-tuotetta
 - tuotetta, jota on yrittänyt korjata epäpätevä ammattilainen tai joka on korjattu ilman Techtron Industriesin ennakkolupaa.
 - tuotetta, joka on liitetty virheelliseen teholähteeseen (ampeirit, jännite, taajuus)
 - tuotetta, jossa on käyretty väärää polttoaineseosta (polttoaine, öljy, öljyprosentti)
 - ulkoisten vaikutusten (kemiallinen, fyysinen, iskut) tai vieraiden aineiden aiheuttamaa vauriota
 - normaleja kulumia varaosia
 - virheellistä käyttöä, työkalun ylikuormitusta
 - ei-hyväksytyjen tarvikkeiden tai osien käyttöä
 - Kaasutinten säännöllistä säätöä tai ylläpitävää puhdistusta
 - Luonnollisesti kulumia komponentteja (osia tai tarvikkeita), joihin sisältyvät puskunupit, käyttöohinat, kytkin, pensasleikkuriin tai ruohonleikkuriin terät, valjaat, kaasuvaijeri, hiiliharjat, virtajohto, piikit, huopatiivisteet, sokkapatit, puhallinten tuulettimeet, puhallin- ja imuputket, imuriin säkit ja hihnat, terälevyt, sahanketjut, letkut, liitinosat, suihkusuuttimet, pyörät, ruiskutusputket, siisä- ja ulkokeilat, leikkusuimat, hehkutulpat, ilmansuodattimet, kaasunsuodattimet, silpputerät yms. näihin kuitenkin rajoittumatta.
- Tuote on lähetettävä huollettavaksi valtuutettuun RYOBI-huoltoon tai näytettävä siellä. Niiden osoitteet kussakin maassa löytyvät seuraavasta luettelosta. Joissakin maissa paikallinen RYOBI-jälleenmyyjä huolehtii tuotteen lähetyksestä RYOBI-huolto-organisaatioon. Kun tuote lähetetään RYOBI-huoltoon, se täytyy pakata hyvin ilman vaarallisia aineita, kuten polttoainetta, ja pakkaukseen täytyy merkitä lähettäjän nimi sekä vian lyhyt kuvaus.
- Takuun kattama korjaus/vaihto on maksuton. Se ei tarkoita takuujakson laajennusta tai alkamista alusta. Vaihdetut osat tai työkalut siirtyvät valmistajan omistukseen. Joissakin maissa lähettäjän täytyy maksaa lähetyskustannukset tai postikulut. Työkalun oston luomat lakisäasteet oikeudet pysyvät koskemattomina
- Tämä takuu on voimassa Euroopan yhteisössä, Sveitsissä, Islannissa, Norjassa, Liechtensteinissa, Turkissa ja Venäjällä. Ota näiden alueiden ulkopuolella yhteyttä omaan valtuutettuun RYOBI-jälleenmyyjään ja selvitä, onko jatin muuta takuuta.

VALTUUTETTU HUOLTO

Voit etsiä lähimmän valtuutetun huollon sivulta <http://fi.ryobitools.eu/header/service-and-support/service-agents>.

NO RYOBI® GARANTIBETINGELSER

I tillegg til eventuelle lovbestemte rettigheter som følger av kjøpet, er dette produktet dekket av en garanti som angitt nedenfor.

- Garantiperioden er 24 måneder for konsumenter og gjelder fra den datoen som produktet ble kjøpt. Denne datoen skal dokumenteres med en faktura eller annet kjøpsbevis. Produktet er designet og beregnet kun til konsument- og privat bruk. Så det gis ingen garanti ved profesjonell eller kommersiell bruk.
- For en del av utvalget av hageverktøy (AC/DC) er det mulighet til å utvide garantiperioden i den perioden som er beskrevet ovenfor ved bruk av registreringen på nettsidene www.ryobitools.eu. Kvalifiseringen av verktøyene for en utvidelse av garantiperioden er tydelig vist i butikker og Teller på pakningen / og finnes innen produktdokumentasjonen. Sluttbrukeren må registrere sine nylig anskaffede verktøy online innen 30 dager etter kjøpsdato. Sluttbrukeren kan registrere seg for den utvidede garantien i sitt land hvis det er opplistet på online registreringsskjemaet der dette alternativet er gyldig. Videre må sluttbrukere gi sitt samtykke til oppbevaring av dataene som kreves for å gå online, og de må godta vilkår og betingelser. Registreringsbekreftelsen, som sendes ut på e-post, og den originale fakturaen som viser kjøpsdato, vil tjene som bevis for den utvidede garantien.
- Garantien dekker alle defekter i produktet under garantiperioden på grunn av defekter i utførelse eller materiale på kjøpsdato. Garantien er begrenset til å reparere og/eller erstatte og inkluderer ikke noen andre forpliktelser, inkludert, men ikke begrenset til, tilfældige eller følgesmessige skader. Garantien er ikke gyldig hvis produktet har blitt misbrukt, brukt på annen måte enn det som beskrives i bruksanvisningen eller er koblet til på feil måte. Denne garantien gjelder ikke for:
 - enhver skade på produktet som er resultat av utilstrekkelig vedlikehold
 - ethvert produkt som har blitt endret eller modifisert
 - ethvert produkt der de originale identifiseringsmerkene (varemerke, serienummer) har blitt uleselig, er endret eller fjernet
 - enhver skade som forårsakes av ikke-overholdelse av instruksjonshåndboken
 - ethvert ikke-CE-produkt
 - ethvert produkt som har blitt forsøkt reparert eller av en ikke-kvalifisert fagperson eller uten tidligere autorisasjon fra Techtronic Industries.
 - ethvert produkt tilkoblet feil strømforsyning (ampere, spenning, frekvens)
 - ethvert produkt som brukes med feil drivstoffblanding (drivstoff, olje, prosentandel olje)
 - enhver skade som er forårsaket av eksterne påvirkninger (kjemiske, fysiske, støt) eller fremmede stoffer
 - normal slitasje og sliitereservedeler
 - feil bruk, overbelastning av verktøyet
 - bruk av ikke-godkjent tilbehør eller deler
 - Eventuelle periodiske justeringer av eller vedlikeholdsrengjøring av forbrennere
 - Komponenter (deler og tilbehør) som er underlagt naturlig slitasje, inkludert, men ikke begrenset til bulknotter, drivreimer, clutch, blader på hekktrimmere eller gressklippere, seler, kabelspjeld, karbonborster, strømledning, kniver, feltpakninger, heispinner, blåseviser, blåse- og vakuumslang, vakuumpose og reimer, førerstenger, sagkjeder, strømpø, koblingsmonteringer, spraydyser, hjul, spraystenger, indre spoler, ytre spoler, kuttelinjer, tennplugg, luftfilter, gassfilter, mulchingblader osv.
- For service må produktet sendes eller fremlegges for en RYOBI-autorisert servicestasjon opplistet for hvert land i den følgende listen over servicestasjonsadresser. I noen land sender den lokale RYOBI-forhandleren produktet til RYOBI serviceorganisasjonen. Ved å sende et produkt til en RYOBI servicestasjon skal produktet være sikkert pakket uten noe farlig innhold, slik som bensin, merket med senderens adresse og fulgt av en kort beskrivelse av feilen.
- En reparasjon/erstatning under denne garantien er gratis. Den utgjør ingen forlengelse eller en ny start av garantiperioden. Utvekslede deler eller verktøy blir vår eiendom. I noen land vil leveringskostnader eller fraktering måtte betales av senderen. Dine lovbestemte rettigheter som oppstår fra kjøp av verktøyet forblir uberørt.
- Denne garantien er gyldig i EU, Sveits, Island, Norge, Liechtenstein, Tyrkia og Russland. Utenfor disse områdene ta kontakt med din autoriserte RYOBI-forhandler om en annen garanti gjelder.

AUTORISERT SERVICESENTER

For å finne et autorisert servicecenter i nærheten, gå til <http://no.ryobitools.eu/header/service-and-support/service-agents>.

RU УСЛОВИЯ ПРИМЕНЕНИЯ ГАРАНТИИ НА ПРОДУКЦИЮ RYOBI®

Помимо законных прав, возникающих при покупке, данное изделие покрывается гарантией в соответствии с приведенными ниже пунктами.

- Гарантийный период для покупателя составляет 24 месяца с даты покупки изделия. Дата покупки должна быть подтверждена полностью заполненным гарантийным талоном и чеком о покупке. Данное изделие предназначено только для частного использования покупателем. Поэтому гарантия не распространяется на использование в профессиональных или коммерческих целях.
- Предусмотрена возможность продления для части изделий линейки садовых инструментов (AC/DC) гарантийного периода с помощью регистрации на сайте www.ryobitools.eu. Право инструмента на продление гарантийного периода четко указано в магазинах и / или на упаковке / и содержится в сопутствующей инструменту документации. Конечный пользователь должен зарегистрировать свой приобретенный инструмент в течение 30 дней с даты покупки. Конечный пользователь может зарегистрировать свой инструмент на продление гарантии в стране своего проживания, если она указана в форме онлайн-регистрации. Кроме того, конечный пользователь должен дать свое согласие на хранение данных, которые необходимо ввести в онлайн-форму и принять правила и условия. Подтверждение регистрации, которое вы получите по электронной почте, заполненный гарантийный талон и оригинальный чек, в котором указана дата покупки, будут служить доказательством продленной гарантии.
- Гарантия покрывает в течение гарантийного периода все дефекты качества или материала изделия на дату покупки. Гарантия ограничена ремонтом и / или заменой и не включает никакие другие обязательства, включая, но не ограничиваясь случайными или косвенными убытками. Гарантия становится недействительной, если изделие использовалось не по назначению, вопреки инструкции, данным в Руководстве пользователя или было неправильно подключено. Настоящая гарантия не распространяется на:
 - любые повреждения изделия в результате неправильного технического обслуживания или недостаточного ухода за инструментом
 - любые изделия, подвергшиеся изменениям и модификации
 - любые изделия, оригинальные идентификационные отметки которого (торговая марка, серийный номер) были повреждены, изменены или удалены
 - любые повреждения, вызванные несоблюдением инструкций Руководства пользователя
 - любые изделия, не сертифицированные маркировкой "CE" для продажи в Европейском союзе
 - любые изделия, подвергшиеся попыткам ремонта неквалифицированным работником или без предварительного утверждения компаний Techtronic Industries.
 - любые изделия, подключенные к неправильному источнику питания (сила тока, напряжение, частота)
 - любые изделия, в которых использовались несоответствующие топливные смеси (топливо, масло, процент масла)
 - любые повреждения, вызванные внешними воздействиями (химические, физические, удары) или посторонними веществами
 - естественный износ запасных деталей
 - несоответствующее использование, перегрузка инструмента
 - использование неутвержденных аксессуаров и неоригинальных запасных деталей
 - любые регулярные регулировки, техническое обслуживание или чистка карбюраторов
 - компоненты (детали и аксессуары), подверженные естественному износу, включая, но не ограничиваясь ручки головки, приводные ремни, цепные муфты, лезвия триммеров и газонокосилок, плечевые ремни, кабельный дроссельный регулятор, угольные щетки, кабели питания, зубья, войлочные шайбы, пальцы сцепки, вентиляторы воздуходувки, трубки воздуходувки и пылесоса, мешки для сбора мусора и ремни, пыльные шины, пыльные щели, шланги, соединительные детали, распылительные насадки, колеса, распылительные переходники, внутренние и внешние катушки, режущую леску, свечи зажигания, воздушные и топливные фильтры, мульчирующие лезвия и др.
- Для проведения технического обслуживания изделие следует направлять в авторизованные сервисные центры RYOBI, указанные для каждой страны в приведенном ниже списке адресов станций сервисного обслуживания. В некоторых странах местные дилеры RYOBI отправляют изделия в сервисные организации RYOBI. При отправке изделия в сервисный центр RYOBI, изделие должно быть безопасно упаковано и не содержать никаких опасных веществ, таких как бензин, должен быть подписан адрес отправителя и сопровождаться кратким описанием неисправности.
- Ремонт / замена проводится в рамках настоящей гарантии бесплатно. Он не продлевает гарантию и не начинает новый гарантийный период. Замененные детали и инструменты становятся нашей собственностью. В некоторых странах отправитель должен оплачивать стоимость отправки. Ваши законные права, возникшие при покупке инструмента, остаются неизменными
- Данная гарантия действительна в Европейском Сообществе, Швейцарии, Исландии, Норвегии, Лихтенштейне, Турции и России. Вне указанных территорий обращайтесь к своему авторизованному дилеру RYOBI, чтобы узнать, применяются ли условия каких-либо других гарантий.

УПОЛНОМОЧЕННЫЙ СЕРВИСНЫЙ ЦЕНТР

Чтобы найти ближайший уполномоченный сервисный центр, обратитесь к веб-сайту <http://ru.ryobitools.eu/header/service-and-support/service-agents/>.

PL WARUNKI GWARANCJI RYOBI®

Oprócz praw ustawowych wynikających z zakupu produktu jest objęty gwarancją, której warunki podano poniżej.

- Okres gwarancyjny wynosi 24 miesiące dla konsumentów i rozpoczyna się w dniu zakupu produktu. Datę zakupu należy udokumentować fakturą lub innym dowodem zakupu. Produkt został zaprojektowany i jest przeznaczony do użytku konsumenckiego i prywatnego. W związku z tym gwarancja nie obejmuje zastosowań profesjonalnych i komercyjnych.
- Istnieje możliwość wydłużenia okresu gwarancyjnego dla części asortymentu narzędzi ogrodniczych (AC/DC) poprzez zarejestrowanie produktu na stronie internetowej www.ryobitools.eu. Kwalifikowalność narzędzi do wydłużenia okresu gwarancyjnego jest wyraźnie określona w sklepach i/lub na opakowaniu oraz w dokumentacji produktu. Użytkownik końcowy musi zarejestrować nowo kupione narzędzia online w ciągu 30 dni od daty zakupu. Użytkownik końcowy może zarejestrować się w celu przedłużenia gwarancji w swoim kraju zamieszkania, jeżeli jest on wymieniony w formularzu rejestracji online, gdzie opcja ta obowiązuje. Ponadto użytkownicy końcowi muszą wyrazić zgodę na przechowywanie danych, wprowadzanych na stronie internetowej i zaakceptować regulamin. Dowodem wydłużenia gwarancji jest wysłane pocztą elektroniczną potwierdzenie rejestracji i oryginał faktury potwierdzającej datę zakupu.
- Gwarancja obejmuje wszystkie wady produktu ujawnione w okresie gwarancyjnym wynikające usterkę wykonania lub materiału obecnych w dniu zakupu. Gwarancja jest ograniczona do naprawy lub wymiany i nie obejmuje żadnych innych zobowiązań, w tym między innymi odpowiedzialności za szkody przypadkowe lub włorne. Gwarancja nie obowiązuje, jeżeli produkt był nieprawidłowo używany, używany niezgodnie z instrukcją lub nie był prawidłowo podłączony. Gwarancja nie obejmuje:
 - uszkodzenia produktu wynikającego z nieprawidłowej konserwacji,
 - produktu, który został zmieniony lub zmodyfikowany,
 - produktu, którego oryginalne oznaczenie (znak towarowy, numer seryjny) zostało zniszczone, zmienione lub usunięte,
 - jakiegokolwiek uszkodzeń wynikających z nieprzestrzegania instrukcji,
 - jakiegokolwiek produktu bez certyfikatu CE,
 - jakiegokolwiek produktu, który próbowano naprawiać z pomocą niewykwalifikowanej osoby lub bez uzyskania wcześniejszej zgody firmy Techtronic Industries,
 - jakiegokolwiek produktu podłączonego nie nieprawidłowego źródła zasilania (nieprawidłowe nateżenie prądu, napięcie, częstotliwość),
 - jakiegokolwiek produktu, który był używany z nieprawidłową mieszanąk paliwową (paliwo, olej, procentowy udział oleju),
 - jakiegokolwiek uszkodzeń spowodowanych wpływem czynników zewnętrznych (chemicznych, fizycznych, drgań) lub substancji obcych,
 - normalnego zużycia części zamiennych,
 - nieprawidłowego użycia, przeciążenia narzędzia,
 - stosowania niezatwierdzonych akcesoriów lub części,
 - jakiegokolwiek okresowych regulacji lub czyszczenia gaźników w ramach konserwacji
 - elementów (części i akcesoriów) podlegających naturalnemu zużyciu, obejmujących, między innymi, kopułki do zwalniania żyłki, pasy napędowe, sprzęgło, ostrza przycinarek do żywopłatów lub kosiarek do trawy, uprząż, przepustnicę linkową, szczołki węglowe, przewód zasilania, zęby, podkładki filcowe, kołki podnośnika, wentylatory dmuchawy, rury nadmuchowe i ssawne, worek na śmieci i paski, prowadnice, łańcuchy piły, węże, mocowanie złączki, dysze natryskowe, kółka, przęty natryskowe, szpule wewnętrzne, szpule zewnętrzne, filtry gazu, ostrza do ściółkowania itp.
- W celu serwisowania produkt należy wysłać lub okazać w autoryzowanym punkcie serwisowym RYOBI znajdującym się na przedstawionym poniżej wykazie punktów serwisowych w poszczególnych krajach. W niektórych krajach lokalny dystrybutor produktów RYOBI podejmuje się wysyłki produktu do centrum serwisowego RYOBI. W przypadku wysyłki do punktu serwisowego RYOBI produkt — pozbawiony jakiegokolwiek niebezpiecznych substancji, na przykład benzyny — należy bezpiecznie zapakować i dołączyć adres nadawcy oraz krótki opis usterki.
- Naprawa/wymiana w ramach niniejszej gwarancji jest bezpłatna. Nie stanowi jednak o przedłużeniu lub rozpoczęciu od nowa biegu okresu gwarancyjnego. Wymienione części lub narzędzia stają się naszą własnością. W przypadku niektórych krajów nadawca będzie musiał uregulować koszty dostawy lub opłaty pocztowe. Prawa ustawowe wynikające z zakupu narzędzia pozostają niezmiennione.
- Niniejsza gwarancja obowiązuje w Unii Europejskiej, Szwajcarii, Islandii, Norwegii, Liechtensteinie, Turcji i Rosji. Poza tymi obszarami należy skontaktować się z autoryzowanym dostawcą produktów RYOBI i ustalić, czy obowiązuje inna gwarancja.

AUTORYZOWANY PUNKT SERWISOWY

Najbliższy autoryzowany punkt serwisowy można wyszukać w witrynie internetowej <http://uk.ryobitools.eu/header/service-and-support/service-agents>.

CS ZÁRUČNÍ PODMÍNKY RYOBI®

Kromě zákonných práv vyplývajících z koupě výrobku se na tento výrobek vztahuje také níže uvedené záruka.

- Záruční doba pro spotřebitele je 24 měsíců a začíná datem nákupu výrobku. Datum musí být zaznamenáno na fakture nebo jiném dokladu o koupi. Tento výrobek je navržen a určen pouze pro soukromé účely spotřebitelů. Záruka se tedy nevztahuje na profesionální nebo komerční využití výrobku.
- U některých zahradních nástrojů (AC/DC) je možné záruční dobu prodloužit. K tomu je nutná registrace na stránkách www.ryobitools.eu. Možnost prodloužené záruční doby výrobku je jasně uvedena v probejácích, popř. na obalech nebo v dokumentech o výrobku. Koncový uživatel musí svůj nový nástroj zaregistrovat online do 30 dnů od data nákupu. Koncový uživatel se může k prodloužené záruční době zaregistrovat v zemi trvalého pobytu, pokud je tato uvedena na internetovém registračním formuláři u výrobku, kde je tato možnost dostupná. Koncový uživatel musí dále souhlasit s uložením osobních údajů, která musí zadat na internetu, a přijmout obchodní podmínky. E-mail s potvrzením registrace a původní faktura s datem koupě poslouží jako důkaz o prodloužené záruce.
- Záruka se vztahuje na veškeré vady na výrobku v rámci záruční doby způsobené výrobními vadami nebo vadami materiálu v době koupě. Záruka je omezena na opravu, popřípadě výměnu a nezáhměně žádné další povinnosti, včetně mimo jiné vedlejších či následných odškodnění. Záruka neplatí při použití výrobku k nevhodným účelům, v rozporu s uživatelskou příručkou nebo při nesprávném zapojení. Záruka se nevztahuje na:
 - veškeré škody na výrobku způsobené nesprávnou údržbou
 - veškeré produkty, které byly poškozeny nebo upraveny
 - veškeré produkty, kde byly původní identifikační prvky (obchodní značka, sériové číslo) poničeny, pozměněny nebo odstraněny
 - veškeré škody způsobené nedodrženými pokyny uživatelské příručky
 - veškeré produkty bez CE certifikace
 - veškeré produkty, které se pokusil opravit nekvalifikovaný odborník nebo opravy bez předchozího svolení společnosti Techtronic Industries,
 - veškeré produkty zapojené do nesprávného elektrického zdroje (proud, napětí, frekvence)
 - veškeré produkty používané s nevhodnou palivovou směsí (palivo, olej, procento oleje)
 - veškeré škody způsobené externími vlivy (chemickými, fyzickými, nárazy) nebo cizími látkami
 - běžné opotřebování dílů
 - nevhodné použití, přetěžování nástroje
 - použití neschválených příslušenství nebo dílů
 - veškerá pravidelná seřízení nebo čištění v rámci údržby karburátoru
 - komponenty (díly a příslušenství) podléhající opotřebení, včetně mimo jiné nárazových koleček, posuvných pásů, spojek, nožů plotových nůžek a sekaček na trávu, popruhu, plynového lanka, karbonových kartáčů, napájecího kabelu, zubů, plstěných podložek, závěsných kolků, větráků fukaru, trubíc fukaru a vysavače, vaku a popruhu vysavače, vodičů lišt, pilových řetězů, hadic, konektorů, trysek, kol, stříkaček tyčí, vnitřních cívek, vnějších koločků, řezných strun, zapalovacích svíček, vzduchových filtrů, plynových filtrů, mulčovacích nožů atd.
- K provedení servisu musí být výrobek zaslán nebo předán do autorizovaného servisního centra společnosti RYOBI, jejichž adresy jsou uvedeny podle země v seznamu servisních center. V některých zemích za vás výrobek pošle servisní organizaci RYOBI sám prodejce výrobků této značky. Při zaslání výrobku do servisního centra RYOBI je potřeba výrobek bezpečně zabalit bez nebezpečného obsahu jako benzin, opatřit adresou odesílatele a přiložit krátký popis závady.
- Oprava, popř. výměna v rámci této záruky je zdarma. Neznamená to prodloužení nebo začátek nové záruční lhůty. Vyměněné díly nebo nástroje přejdou do našeho vlastnictví. V některých zemích platí postovné odesílatel. Vaše zákonná práva vyplývající z koupě tohoto nástroje zůstávají nedotčena.
- Tato záruka platí v Evropském Společenství, Švýcarsku, Norsku, Lichtenštejnku, Turecku, Rusku a na Islandu. Mimo tato území kontaktujte autorizovaného prodejce značky RYOBI, který zjistí, zda se na výrobek vztahuje jiná záruka.

POVĚŘENÉ SERVISNÍ STŘEDISKO

Pro nalezení nejbližšího pověřeného servisního střediska navštivte <http://uk.ryobitools.eu/header/service-and-support/service-agents>.

HU A RYOBI® GARANCIA ALKALMAZÁSÁNAK FELTÉTELEI

A vásárlásból addó törvényben rögzített jogok mellett a termékre az alábbi garancia vonatkozik.

- A fogyasztói garancia tartama 24 hónap, mely a termék vásárlásának napjával kezdődik. Ezt a dátumot számlával vagy a vásárlást igazoló egyéb dokumentummal kell bizonyítani. A termék rendelkezése csak fogyasztói és magáncélt használhat. Ezért professzionális vagy kereskedelmi használat esetén a garancia nem érvényes.
- A kerti szerszámok (egyenáramú/váltóáramú) egy részénél a garancia időtartama a www.ryobitools.eu weblapon regisztrálva meghosszabbítható. Az áruházakban, a csomagolásban, illetve a termék dokumentációjában egyértelműen jelezve van, hogy az adott termék garanciája meghosszabbítható-e. A végfelhasználónak a vásárlás dátumától számított 30 napon belül regisztrálnia kell az újonnan vásárolt szerszámot. A végfelhasználó akkor regisztrálhat a kiterjesztett garanciára, ha az ország, ahol lakik, fel van sorolva az online regisztrációs űrlapon azon országok között, ahol választható ez az opció. Ezenkívül a végfelhasználónak bele kell egyeznie az online regisztrálás során szükséges adatok tárolásába, és el kell fogadnia a felhasználási feltételeket. A kiterjesztett garanciát a regisztráció beérkezésétől e-mailben küldött visszaigazolás és a vásárlás dátumát tartalmazó eredeti számla igazolja.
- A garancia a termék vásárlásakor fennálló, a gyártás során keletkezett hibákra és anyaghibákra érvényes a garanciális időtartamon belül. A garancia csak a javításra/cserére korlátozódik, és nem terjed ki semmilyen egyéb kötelezettségre, nem kizárólagosan ideértve a véletlen vagy szándékos rongálást. A garancia nem érvényes, ha a terméket nem megfelelően, a használati utasításban foglaltakkal ellentétben, illetve nem megfelelően csatlakoztatva használták. A garancia nem vonatkozik:
 - a terméket a nem megfelelő karbantartás következtében ért károsodásra
 - megváltoztatott vagy átalakított termékre
 - olyan termékre, melyben az eredeti azonosítókat (védjegy, sorozatszám) megrongálták, megváltoztatták vagy eltávolították
 - a használati utasítás be nem tartásából eredő kárra
 - CE jelöléssel nem rendelkező termékekre
 - olyan termékre, melyet nem képzett, illetve a Techtronic Industries által nem feljogosított szerelő javított
 - nem megfelelő (áramerősségű, feszültségű, frekvenciájú) áramforrásra csatlakoztatott termékre
 - nem megfelelő üzemanyag-keverékkel (üzemanyag, olaj, olaj aránya) használt termékre
 - külső (vegyi, fizikai, ütés) hatásokból vagy idegen anyagokból eredő károkra
 - a cserélhető alkatrészek természetes kopására és elhasználódására a szerszám helytelen használatára, túlterhelésére
 - nem jóváhagyott tartozékok és alkatrészek használatára
 - A karburátorok rendszeres beállítása, karbantartása, tisztítása
 - A természetes kopásnak és elhasználódásnak kitett alkatrészek és kiegészítők, például (de nem kizárólag) damildobok, ékszíjak, foglalatok, sövényvágók és fűnyírók kése, heveder, gázbowden, szénkéfék, tápkábel, kultivátorfogak, filcálátétek, akasztószögek, fűvókészülékek ventilátora, fűvő- és szívócsovek, szívózsák és pántok, terelőrudak, fűrészláncok, tömlők, csatlakozószerelvények, permetezőfejek, kerekek, permetezőszárak, belső dobok, külső csévék, vágódamillók, gyújtógyertyák, légszűrők, gázsűrők, mulcsözőkék stb.
- A terméket javításra el kell vinni egy meghatalmazott RYOBI szervizbe; ezeket az egyes országokhoz a következő listában találja. Egyes országokban a helyi RYOBI kereskedő vállalja a termék elszállítását a RYOBI szervizbe. A terméket veszélyes tartalom, például benzín nélkül csomagolva, a feladó címét feltüntetve, a hiba rövid leírásával együtt küldje el a RYOBI szervizbe.
- A jelen garancia hatálya alatt végzett javítás, illetve csere ingyenes. Nem jelenti a garanciális időtartam újraindulását. A kicserélt alkatrészek és szerszámok a mi tulajdonunkba kerülnek. Egyes országokban a szállítási vagy postázás költségét a feladó viseli. A vevőnek a szerszám megvásárlásából addó törvényes jogai nem változnak.
- Jelen garancia az Európai Közösségben, Svájcban, Izlandon, Norvégiában, Liechtensteinben, Törökországban és Oroszországban érvényes. E területen kívül kérdezze meg a RYOBI forgalmazót, hogy milyen garancia van érvényben.

HIVATALOS SZERVIZKÖZPONT

A legközelebbi hivatalos szervizközpont megtalálásához látogasson el a <http://uk.ryobitools.eu/header/service-and-support/service-agents>.

RO CONDIȚII DE APLICARE A GARANȚIEI PENTRU PRODUSELE RYOBI®

În plus față de condițiile statutare rezultate din achiziționarea acestui produs, acesta este acoperit de garanția stipulată mai jos.

- Perioada de garanție este de 24 de luni pentru consumatori și începe de la data achiziționării produsului. Data de începere a garanției trebuie demonstrată cu o factură sau altă dovadă a cumpărării produsului. Produsul este destinat și conceput doar pentru utilizare în scopuri personale. Din acest motiv, nu se oferă garanție pentru utilizarea sa în scop profesional sau comercial.
- Există posibilitatea de extindere a perioadei de garanție pentru gama de unelte electrice pentru grădini (de CA/CC) peste perioada stipulată mai sus prin înscrierea produsului pe website-ul www.ryobitools.eu. Eligibilitatea pentru perioada de extindere a garanției este afișată în mod clar în magazinele de vânzare și/sau pe ambalaj sau este inclusă în documentația livrată împreună cu produsul. Utilizatorul final este obligat să-și înregistreze produsul online în termen de maxim 30 de zile de la achiziția acestuia. Utilizatorul final poate înregistra produsul pentru garanția extinsă oferită în țara sa de rezidență dacă aceasta este listată în formularul de înregistrare online și dacă această opțiune este validă. În plus, utilizatorul final trebuie să-și dea acordul pentru stocarea datelor personale solicitate la înregistrarea online și trebuie să accepte termenii și condițiile. Mesajul de confirmare a înregistrării, trimis prin e-mail și factura originală cu data achiziției vor dovedi perioada de garanție extinsă.
- Garanția acoperă toate defecțiunile produsului survenite în perioada de garanție datorate defectelor de execuție sau materialelor folosite, începând cu data achiziției acestuia. Garanția este limitată la reparare și/sau înlocuire și nu include alte obligații, inclusiv, dar fără a se limita la daune accidentale sau rezultate pe cale de consecință. Garanția își pierde valabilitatea dacă produsul este utilizat necorespunzător, utilizat neconform cu instrucțiunile de utilizare din manualul cu instrucțiuni sau conectat încorect. Garanția nu se aplică în cazul:
 - oricărei defecțiuni survenite în urma înțrefinerii necorespunzătoare a produsului
 - oricărui produs alterat sau modificat
 - oricărui produs la care inscripțiile cu datele de identificare (marca comercială, numărul de serie) au fost șterse, modificate sau îndepărtate
 - oricărei defecțiuni datorate neconformării cu instrucțiunile din manualul de utilizare
 - oricărui produs necertificat CE
 - oricărui produs asupra căruia au fost efectuate tentative de reparare de către personal necalificat sau fără autorizație prealabilă din partea Techtronic Industries.
 - oricărui produs conectat la o sursă de alimentare necorespunzătoare (curent, tensiune, frecvență)
 - oricărui produs utilizat cu un amestec de carburant necorespunzător (combustibil, ulei, proporții de adaos ulei)
 - oricărui defecțiuni datorate unor influențe externe (chimice, fizice, socuri) sau substanțe străine
 - uzurii și fisurării normale a pieselor de rezervă
 - utilizării neadecvate, suprasolicitării uneltei
 - utilizării de piese și accesorii neaprobat
- Orice operații de curățare sau reglare periodică a carburatoarelor
- Componentele (piese și accesorii) supuse uzurii și defecțiilor normale, care includ, fără a se limita la manșona de protecție, curele de transmisie, ambreiaj, lamele de la tăietoarele de arbore sau gazon, furturnuri, accesorii de conectare, bare de pulverizare, volante, baghete de pulverizare, moșoare interne, carcasa exterioră pentru moșoare, fire tăietoare, bujii, filtre de aer, filtre de gaz, lame de tocător, etc.
- Pentru efectuarea reparațiilor, produsul trebuie trimis sau adus la un centru de reparații autorizat RYOBI din lista următoare de centre de reparații prezentate pentru fiecare țară. În anumite țări, reprezentatul local RYOBI va trimite produsul spre reparare la sediul centrului de reparații RYOBI. Atunci când trimiteți produsul spre reparare la un centru de reparații RYOBI, acesta trebuie ambalat în siguranță, fără conținut periculos (cum ar fi benzina), marcat cu adresa expeditorului și însoțit de o scurtă descriere a defectului.
- Repararea/înlocuirea în perioada de garanție este gratuită. Aceasta nu este însoțită de o prelungire sau o reiniițire a perioadei de garanție. Piese sau unelte schimbate devin proprietatea dvs. În anumite țări, taxele de expediție sau poștale vor fi suportate de expeditor. Drepturile dvs. statutare rezultate din achiziția produsului rămân neschimbate
- Această garanție este valabilă în Comunitatea Europeană, Elveția, Islanda, Norvegia, Liechtenstein, Turcia și Rusia. În afara acestor zone, vă rugăm să contactați reprezentantul dvs. local RYOBI pentru a determina dacă se aplică alt tip de garanție.

CENTRU DE SERVICE AUTORIZAT

Pentru a găsi un centru de service autorizat lângă dvs., vizitați <http://uk.ryobitools.eu/header/service-and-support/service-agents>.

LV RYOBI® GARANTĪJAS PIEMĒROŠANAS NOSACĪJUMI

Papildus jebkādam likumiskajam tiesībām, kuras rodas, veicot pirkumu, izstrādājums tiek nodrošināts ar tālāk tekstā noteikto garantiju.

1. Garantijas periods patērētājiem ir 24 mēneši, tā atskaitē tiek sākta no datuma, kad veikta izstrādājuma iegāde. Šim datumam jābūt dokumentētam rēķinā vai citā pirkumu apliecināšā dokumentā. Izstrādājums ir radīts un paredzēts tikai patērētāja privātai lietošanai. Saistībā ar iepriekšminēto, garantija netiek nodrošināta profesionālas vai komerciālas lietošanas gadījumā.
2. Pastāv iespēja pagarināt daļas no dārza instrumentu klāsta (Maigstrāvas/akumulatoru) garantiju ilgāk par iepriekš minēto periodu, izmantojot reģistrāciju interneta vietnē www.ryobitools.eu. Instrumenti, kas pakļauti garantijas perioda pagarināšanai, tiek skaidri apzīmēti veikalos un/vai uz iepakojuma un izstrādājumu komplektējošajā dokumentācijā. Gala lietotājam nepieciešams reģistrēt tālruni jauno instrumentu 30 dienu laikā no pirkuma datuma. Gala lietotājs var reģistrēties pagarinātajai garantijai savā mītnes valstī, ja tā minēta tiešsaistes reģistrācijas veidlapā, kurā šī iespēja ir aktīva. Bez tam, gala lietotājam ir jāsniedz pierādīšana tiešsaistes ievadīšanai nepieciešamo datu glabāšanai un jāpiekrīt noteikumiem un nosacījumiem. Reģistrācijas apstiprinājums, kas tiek nosūtīts, izmantojot e-pastu, un rēķina oriģināls, kurā norādīts iegādes datums, kalpo kā pagarinātās garantijas apstiprinājums.
3. Garantija attiecas uz visiem izstrādājuma defektiem garantijas periodā, kas saistīti ar ražošanas vai materiālu defektiem no pirkuma datuma. Šī garantija tiek ierobežota ar remontu un/vai nomaiņu un neietver jebkādas citas saistības, tajā skaitā, bet ne tikai, cēloņsakarīgos vai saistītos bojājumus. Garantija nav spēkā, ja izstrādājums ir nepareizi lietots, izmantots pretēji norādēm lietošanas rokasgrāmātā vai bijis nepareizi pieslēgts. Šī garantija netiek attiecināta uz:
 - jebkādiem izstrādājuma bojājumiem, kas radušies nepareizas uzturēšanas rezultātā
 - jebkuru izstrādājumu, kas ticis pārveidots vai mainīts
 - jebkuru izstrādājumu, kura oriģinālās identifikācijas (preču zīme, sērijas numurs) marķējums ir ticis nodzēsts, mainīts vai noņemts
 - jebkādiem bojājumiem, kuri radušies neievērojot norādes lietošanas rokasgrāmātā
 - jebkādam izstrādājumam bez CE sertifikācijas
 - jebkuru izstrādājumu, kura remontu mēģinājis veikt nekvalificēts personāls vai bez Technonic Industries iepriekšējas autorizācijas.
 - jebkuru izstrādājumu, kurš bijis pieslēgts neatbilstošam parametru (strāvas, sprieguma, frekvences) sprieguma avotam
 - jebkuru izstrādājumu, kurš bijis izmantots ar nepareizu degvielas maisījumu (degviela, eļļa, eļļas procentuālais saturs)
 - jebkuriem bojājumiem, kuri radušies ārējas iedarbības (ķīmiskas, fiziskas, triecieni) vai vielu ietekmē
 - detaļu normāla lietošanas nodiluma rezultātā
 - nepareizas lietošanas vai instrumentu pārslogošanas rezultātā
 - neapstiprinātu detaļu vai aprīkojuma lietošanas rezultātā
 - jebkādos periodiskus karburatoru regulēšanas darbus vai apkopes tīrīšanu
 - Komponentus (daļas un aksesuārus), kas pakļauti dabīgam nodilumam, ieskaitot, bet neaprobežojoties ar atsītienu pogām, piedziņas siksnām, sajūgiem, krūmu šķēru un plaujmašīnu asmeņiem, uzkabēm, droseļu trosītēm, oglekļa sukām, elektrības vadiem, tapām, filca aplākšņiem, sakabes tapām, pūtēja ventilatoriem, pūtēja un sūkšanas caurulēm, savākšanas maisiem un siksnām, vadotju plankām, zāģu ķēdēm, šļitenēm, savienoju uzgaļiem, izsmidzinātāja uzgaļiem, rīteņiem, izsmidzinātāja caurulēm, iekšējām spolēm, ārējām spolēm, plaušanas auklām, aizdedzes svēcēm, gaisa filtriem, degvielas filtriem, mulčēšanas asmeņiem, utt.
4. Servisa nodrošināšanai, izstrādājums ir jānodod pilnvarotā RYOBI servisa centrā, kas norādīts katrai valstij tālāk minētajā servisa centru adresē sarakstā. Dažās valstīs jūsū vietējās RYOBI izplatītājs uzņemas izstrādājuma nosūtīšanu uz RYOBI servisa organizāciju. Nosūtīt izstrādājumu uz RYOBI servisa centru, izstrādājuma jābūt droši iepakotam, tas nedrīkst saturēt bīstamas vielas kā degvielu, sūļļijumam jābūt marķētam ar sūļļītāja adresi un tisu kļūmes aprakstu.
5. Remonts/nomaņa šīs garantijas ietvaros ir bezmaksas. Tas nerada garantijas perioda pagarināšanu vai jaunu garantiju. Nomainītais daļas vai instrumentu kļūst par mūsu īpašumu. Dažās valstīs piegādes vai pasta izmaksas būs jāapmaksā sūļļītājam. Jūsū likumiskās tiesības, kas nodibinās, iegādājoties instrumentu, paliek nemainīgas
6. Šī garantija ir spēkā Eiropas Kopienā, Šveicē, Islandē, Norvēģijā, Līhtenšteinā, Turcijā un Krievijā. Arpus šīm teritorijām, lūdzu, sazinieties ar jūsu pilnvaroto RYOBI izplatītāju, lai noteiktu, vai ir piemērojama cita garantija.

AUTORIZĒTS APKALPOŠANAS CENTRS

Lai atrastu tuvāko autorizēto apkalpošanas centru, apmeklējiet <http://uk.ryobitools.eu/header/service-and-support/service-agents>.

LT „RYOBI®“ GARANTIJOS TAIKÝMO SĄLYGOS

Papildant bet kokias įstatymuose numatytas perkanat atsirančias teises, šiam įrenginiui taikoma toliau nurodyta garantija.

1. Vartotojams suteikiama 24 mėnesių trukmės garantija nuo įrenginio įsigijimo datos. Ši data turi būti nurodyta sąskaitoje faktūroje ar kitame pirkimą įrodančiame dokumente. Šis įrenginys skirtas tik vartotojų rinkai ir asmeniniam naudojimui. Todėl garantija netaikoma, jei įrenginys naudojamas profesionaliems ar komerciniams reikmėms.
2. Įsigijus tam tikrus sodo įrenginius (AC/DC), suteikiama galimybė pratęsti garantiją, kad ji galėtų ilgiau, nei nurodyta pirmiau, naudojantis registracija interneto svetainėje www.ryobitools.eu. Ar galima pratęsti įrenginio garantinį laikotarpį, aiškiai nurodoma parduotuvėse ir (arba) ant įrenginio pakuočės, ir (arba) įrenginio dokumentuose. Galutinis naudotojas turi užregistruoti savo naujai įsigytą įrenginį per 30 dienų nuo įsigijimo datos. Galutinis naudotojas gali registruotis išplėstinei garantijai savo gyvenamojoje šalyje, jei ji nurodyta internetinėje registracijos formoje, kurioje siūloma tokia galimybė. Be to, galutiniai naudotojai turi sutikti su duomenų, kuriuos reikia įvesti internetu, saugojimu ir svetainės naudojimo sąlygomis. Kaip išplėstinės garantijos įrodymas naudojamas registracijos patvirtinimo kvitas, atsiunčiamas e. paštu, ir originali sąskaita faktūra, kurioje nurodyta įsigijimo data.
3. Ši garantija apima visus garantiniu laikotarpiu aptiktus įrenginio trūkumus, atsiradusius dėl gamybos arba medžiaginių defektų nuo įsigijimo datos. Ši garantija ribojama remontu ir (arba) pakeitimu, ji neapima jokių kitų įsipareigojimų, įskaitant (bet tuo neapsiribojant) šalutinio arba antininio nuostolio. Garantija anuliuojama, jei įrenginys buvo naudojamas netinkamai, naudojamas ne pagal naudojimo instrukciją arba netinkamai prijungtas. Ši garantija netaikoma:
 - jokiai įrenginiui padarytai žalai, kurią lėmė netinkama techninė priežiūra;
 - jokiai įrenginiui, kuris buvo keičiamas ar modifikuojamas;
 - jokiai įrenginiui, kurio originalūs identifikavimo ženklai (prekės ženklas, serijos numeris) buvo sugadinti, pakeisti arba pašalinti;
 - jokiai žalai, kurią lėmė naudojimo instrukcijos nesilaikymas;
 - jokiems CE ženklui nepažymėtiems įrenginiams;
 - jokiai įrenginiui, kurį bandė remontuoti nekvalifikuoti asmenys arba kuris buvo remontojamas be „Technonic Industries“ leidimo;
 - jokiai įrenginiui, kuris buvo prijungtas prie netinkamo maitinimo tinklo (netinkamos srovės, įtampos, dažnio);
 - jokiai įrenginiui, kuris buvo naudojamas su netinkamu degalų mišiniu (degalai, alyva, mašinos santykis);
 - jokiai žalai, kurią lėmė išorinis poveikis (cheminis, fizinis, smūgiai) arba pašalinės medžiagos;
 - dėvimosioms dalims;
 - netinkamam naudojimui, įrenginio perkrovai;
 - nepatvirtintų priedų arba dalių naudojimui;
 - jokiai reguliariam karbiuriatorių reguliavimui arba priežiūros ir valymo darbams
 - Komponentams (dalims ir priedams), kurie natūraliai dėviasi, įskaitant (bet tuo neapsiribojant) spyruoklines galvutes, pavaru diržus, sankabą, gyvatvorio gėtelėvų ar žoliapjovių geležtes, diržus, trosinį drošelį, anglinius šepetėlius, maitinimo kabelį, virbus, fetro poveržles, prikabinimo kaiščius, pūstuvo ventilatorius, pūstuvo ir siurblio vamzdžius, siurblio maišą ir diržus, kreipiamuosius strypus, pjūklų grandines, žarnėles, jungiamąsias detales, purškimo antgalius, ratus, purškimo liestukus, vidines rites, išorines rites, pjovimo vielą, uždegimo žvakės, oro filtras, dujų filtras, mulčiavimo geležtes ir pan.
4. Prireikus atlikti priežiūros darbus, įrenginį reikia siųsti arba atvežti RYOBI įgaliotajam priežiūros centrui, nurodytam kiekvienos šalies priežiūros centrų adresų sąrašė. Kai kuriose šalyse vietinis RYOBI atstovas siunčia įrenginį RYOBI priežiūros organizacijai. Siunčiant įrenginį RYOBI priežiūros centrui, reikia saugiai jį supakuoti pašalinant visas pavojingas medžiagas, pvz., benzina, nurodyti ant pakuočės siuntėjo adresą ir pridėti trumpą gedimo aprašymą.
5. Pagal šią garantiją remontas / keitimas atliekami nemokamai. Tokie veiksmai netaikomi garantijos pratęsimu arba naujo garantinio laikotarpio pradžia. Dalys arba įrenginiai, kuriuos pakeitėme, tampa mūsų nuosavybė. Kai kuriose šalyse pristatymo ir pašto išlaidas turi padengti siuntėjas. Įstatymuose numatytos jūsų teisės, atsirandančios perkanat įrenginį, lieka nepakeistos
6. Ši garantija galioja Europos bendrijoje, Šveicarijoje, Islandijoje, Norvegijoje, Lichtenšteine, Turkijoje ir Rusijoje. Jei gyvenate ne šiose šalyse, kreipkitės į įgaliotąjį RYOBI atstovą ir sužinokite, ar jums taikoma kita garantija.

ĮGALIOTAS TECHINIS PRIEŽIŪROS CENTRAS

Jei norite surasti įgaliotą techninės priežiūros centrą netoli Jūsų, apsilankykite interneto svetainėje <http://uk.ryobitools.eu/header/service-and-support/service-agents>.

ET RYOBI® GARANTIIINGIMUSED

Lisaks toote ostust tulenevatele seadusjärgsetele õigustele, kehtib tootele ka alltoodud garantiiga.

- Tarbijatele on garantiiaeg 24 kuud ja algab sellel kuupäeval, mil toode osteti. Selle kuupäeva tähtsuseks on vaja arvet või mõnda teist tõendit ostu sooritamise kohta. Toode on mõeldud eratarbijatele ainult isiklikeks kasutamiseks. Seega ei kehti garantiid ostu kasutamisel kutsetegevuses või kaubanduslikel eesmärkidel.
- Teatud osale (vahelduvvoolu/alalisvoolu) aiatööriistadele on võimalik pikendada eespool toodud garantiiaega, kasutades toote registreerimist veebilehel www.ryobitools.eu. Teave tööriista võimaliku pikendatud garantiiaja kohta on selgelt esile toodud poodides ja/või pakendil / ning see sisaldub toote dokumentatsioonis. Lõpptarbijaja peab registreerima oma uued tööriistad interneti teel 30 päeva jooksul pärast ostupäeva. Lõppkasutaja võib registreerida pikendatud garantiiaja saamise oma elukohariigis, kui veebis olevas registreerimisvormis on see valik lubatud. Lisaks peavad kasutajad andma oma nõusoleku veebis nõutud sisetatavate andmete säilitamiseks ning nad peavad nõustuma tingimustega. E-posti teel saadetak registreerimise kinnitus ja arve originaal, kus on näha ostu sooritamise kuupäev, on pikendatud garantiiaja tähtsuseks.
- Garantii katab kõik defektid toote garantiiaja jooksul, kui ostu kuupäeval ilmuvad talitus- või materjalivead. Garantii piirub toote remondi ja/või väljavahetamisega ning ei sisalda muid kohustusi, muu hulgas ettenägematuid või kaudeise kahjusid. Garantii ei kehti, kui toodet ei ole kasutatud sihtotstarbelselt või kooskõlas kasutusjuhendiga või see on valesti ühendatud. Garantii ei kehti järgmistel põhjustel:
 - toode on kahjustatud vale hoolduse tõttu
 - toodet on muudetud
 - toote algapärased identifitseerimismärgised (kaubamärk, seerianumber) on rikutud, muudetud või eemaldatud
 - kahju on tekkinud kasutusjuhendi mittejärgimisest
 - tootel puudub CE-märgis
 - toodet on püüdnud remontida vastavalt kvalifikatsiooni mitte omav isik või ilma firma Techtronic Industries eelneva loata.
 - toode on ühendatud valesse toiteallikasse (voolutugevus, pinge, sagedus)
 - tootega kasutati sobimatut kütusesegu (kütus, õli, õli protsent)
 - välismõjude (keemilised, füüsilised, elektrilöögid) või võõrkehade tekitatud kahju
 - tavapärase kulumine ja katkised varuosad
 - ebaõige kasutamine, tööriista ülekoormamine
 - heaikkimata tarvikute või osade kasutamine
 - Karbuaritorite korralised reguleerimistööd või hooldus- ja puhastustööd
 - Komponendid (osad ja tarvikud), mida iseloomustab kulumine ja vananemine, muu hulgas puutenupud, kilirihmad, sidur, heklõikurite või muruniidukite lõiketerad, rakmed, gaasross, süsinikharjad, toitejuhe, freestiterad, viildist seibid, tihvtid, õhuventilaatorid, puhuri- ja imuritruud, kogumiskott ja rihmad, juhikud, säeketid, voolikud, liitmikud, pihusti otsakud, rattad, pritsi varred, sisemised poolid, välimised poolid, jõhvõid, sütekeetõulad, õhufiltrid, gaasifiltrid, multšimisterad jne.
- Hoolduseks peab toode saatma või viima RYOBI volitatud teenindusse, mille aadressi leiata järgnevast teeninduspunkti nimekirjast vastava riigi alt. Mõnedes riikides võtab kohalik RYOBI edasimüüja enda kanda kohustuse saata toode RYOBI teenindusorganisatsiooni. Toote saatmisel RYOBI teenindusse peab toode olema ohutult pakitud ja ei tohi sisaldada ohtlikke aineid (nt bensiini), kirjas peab olema saatja aadress ja lisatud vea lühikirjeldus.
- Garantii alusel tehtavad remonditööd / asendamised on tasuta. See ei pikenda garantii kehtivusaega ega tähista uue garantiiaja algust. Väljavahetatud osad või tööriistad kuuluvad meile. Mõnedes riikides maksab kättevõetlemis- ja postikulud saatja. Teile jäävad kehtima tööriista ostust tulenevad seadusjärgsed õigused.
- See garantii kehtib Euroopa Ühenduse territooriumil, Šveitsis, Islandil, Norras, Liechtensteinis, Türgis ja Venemaal. Väljaspool neid piirkondi võtke ühendust volitatud RYOBI edasimüüjaga, et teha kindlaks kas kehtib mõni teine garantii.

VOLITATUD HOOLDUSKESKUS

Oma volitatud hoolduskeskuse leiata veebisaidil <http://uk.ryobitools.eu/header/service-and-support/service-agents>.

HR UVJETI PRIMJENE JAMSTVA TVRTKE RYOBI®

Osim svim zakonskim pravima koja proizlaze iz kupnje, ovaj je proizvod pokriven jamstvom kako je navedeno u nastavku.

- Jamstveno razdoblje za potrošače traje 24 mjeseca i počinje s datumom na koji je proizvod kupljen. Taj datum mora se dokumentirati računom ili drugim dokazom o kupnji. Proizvod je konstruiran i namijenjen samo za privatnu upotrebu korisnika. Stoga se jamstvo ne daje u slučajju profesionalne ili komercijalne uporabe.
- Postoji mogućnost da se za dio asortimana vrtnih alata pokretanih izmjeničnom strujom (AC/DC) proizvodi gore navedeno jamstveno razdoblje putem registriranja na mrežnom mjestu www.ryobitools.eu. Uvjeti koje je potrebno zadovoljiti kako bi se proizvelo jamstveno razdoblje jasno su istaknuti u prodaivaonicama i / ili na pakiranju / i nalaze se unutar dokumentacije proizvoda. Krajnji korisnik mora registrirati svoje novo kupljene alate na mreži u roku od 30 dana od datuma kupnje. Krajnji korisnik može se registrirati za proizvedeno jamstvo u svojoj zemlji boravišta ako se nalazi na popisu u mrežnom obrascu za registraciju gdje je ta opcija važeća. Nadalje, krajnji korisnik mora dati svoj pristanak na pohranu podataka koji su potrebni za mrežni ulazak i moraju prihvatiti odredbe i uvjete. Potvrda o prijemu registracije, koja se šalje putem e-pošte, kao i originalni račun s vidljivim datumom kupnje poslužiti će kao dokaz proizvedenog jamstva.
- Jamstvo pokriva sve nedostatke proizvoda tijekom jamstvenog razdoblja koji su nastali zbog neispravnosti prilikom izrade ili materijala s datumom kupnje. Jamstvo je ograničeno na popravak i/ili zamjenu i ne obuhvaća nikakve druge obveze, uključujući, ali ne ograničavajući se na slučajne ili posljedične štete. Jamstvo ne vrijedi ako je proizvod bio zlorabljivan, korišten u suprotnosti s priručnikom s uputama ili ako je pogrešno spojeno. Ovo jamstvo ne primjenjuje se na:
 - svako oštećenje proizvoda koje je rezultat nepravilnog održavanja
 - svaki proizvod koji je izmijenjen ili modificiran
 - svaki proizvod gdje su originalne identifikacijske oznake (zaštitni znak, serijski broj) izbrisane, zamijenjene ili uklonjene
 - svako oštećenje uzrokovano neprirodno korištenjem priručnika
 - svaki proizvod koji nije CE
 - svaki proizvod koji je pokušao popraviti nekvalificirani profesionalac ili bez prethodnog odobrenja od strane Techtronic Industries
 - svaki proizvod priključen na nepravilno napajanje energijom (amperi, napon, frekvencija)
 - svaki proizvod korišten s neodgovarajućom mješavinom (gorivo, ulje, postotak ulja)
 - svako oštećenje uzrokovano vanjskim utjecajima (kemijsko, fiziko, udar) ili stranim stvarima
 - normalno trošenje i habanje rezervnih dijelova
 - nepravilno korištenje, preopterećenje alata
 - korištenje neodobrenog dodatnog pribora ili dijelova
 - rasplinjača nakon 6 mjeseci, podešavanje rasplinjača nakon 6 mjeseci
 - komponente (dijelovi i dodatni pribor) koji su predmet prirodnog trošenja i habanja, uključujući no ne ograničavajući se na gumbce za otpuštanje, pogonske remene, spojku, oštrice trimera za grmlje ili kosilicu, kope, sajle gasa, ugljene četke, kabele za napajanje, noževe, podloške, ztike za zglobnu vezu, ventilatore puhalića, cijevi za ispuhavanje i usisavanje, vakuumske vrećice i trake, vodilice, lance pile, crijeva, priključne elemente, mlaznice za raspršivanje, kotače, kopja za raspršivanje, unutarnje kolote, vanjske kaleme, flaksove, svjeće, filtre za zrak, filtre za plin, oštrice za ustinjavanje itd.
- Za potrebe servisiranja, proizvod se mora poslati ili odnijeti u ovlaštenu servisnu postaju tvrtke RYOBI navedenu na sljedećem popisu s adresama servisnih postaja u svakoj zemlji. U nekim zemljama, vaš lokalni RYOBI zastupnik obvezuje se da će poslati proizvod u servisnu organizaciju tvrtke RYOBI. Kada se proizvod šalje u neku servisnu postaju tvrtke RYOBI, proizvod se mora sigurno pakirati bez jednog od opasnih sadržaja kao što je benzin, na njemu mora pisati adresa pošiljatelja i mora biti popraćen kratkim opisom kvara.
- Popravak / zamjena pod ovim jamstvom su besplatni. Oni ne predstavljaju produženje ili novi početak jamstvenog razdoblja. Zamijenjeni dijelovi ili alati postaju naše vlasništvo. U nekim državama troškove isporuke ili poštarinu mora platiti pošiljatelj. Vaša zakonska prava koja proizlaze iz kupnje alata ostaju nepromijenjena
- Ovo jamstvo vrijedi u Europskoj uniji, Švicarskoj, Islandu, Norveškoj, Lihtenštajnu, Turskoj i Rusiji. Izvan tih područja vas molimo da se obratite svojem ovlaštenom zastupniku tvrtke RYOBI kako biste utvrdili primjenjuje li se drugo jamstvo.

OVLAŠTENI SERVISNI CENTAR

Za pronalaženje ovlaštenog servisnog centra pored vas posjetite <http://uk.ryobitools.eu/header/service-and-support/service-agents>.

SL POGOJI ZA VELJAVNOST GARANCIJE RYOBI®

Poleg morebitnih zakonsko določenih pravic, ki izvirajo iz nakupa, za ta izdelek velja spodaj navedena garancija.

- Garancijsko obdobje je za potrošnike 24 mesecev in začne teči z dnem nakupa izdelka. Ta datum mora biti dokumentiran z računom ali drugim dokazilom o nakupu. Izdelek je zasnovan in namenjen izključno za potrošniško zasebno uporabo. V primeru strokovne oziroma komercialne uporabe izdelka garancija ne velja.
- Obstaja možnost podaljšanja garancije na del naše ponudbe vrtnih orodij (AC/DC) prek obdobja garancije, opisanega zgoraj, s pomočjo registracije na spletnem mestu www.ryobitools.eu. Ustreznost orodij za podaljšanje garancijskega obdobja je jasno prikazana v trgovinah in/ali na embalaži oziroma je navedena v dokumentaciji izdelka. Končni uporabnik mora registrirati svoje novo orodje na spletu v 30 dneh po datumu nakupa. Končni uporabnik lahko registrira podaljšano garancijo v svoji državi bivanja, če je na obrazcu spletne registracije navedeno, da ta možnost velja za njegovo državo. Poleg tega morajo končni uporabniki podati svoje soglasje za shranjevanje podatkov, ki so potrebni za spletni dostop in morajo sprejeti pogoje in določila uporabe spletnega mesta. Potrdilo o registraciji, ki ga pošljemo prek e-pošte, in originalni račun, ki prikazuje datum nakupa, služita kot dokazilo o podaljšanji garanciji.
- Garancija krije vse okvare izdelka, do katerih pride v garancijskem obdobju zaradi napak v izdelavi ali materialu, ki so bile prisotne ob datumu nakupa. Garancija je omejena na popravilo in/ali zamenjavo in ne vključuje nobenih drugih obveznosti, med drugim vključno z naključno ali posledično škodo. Garancija ne velja, če je bil izdelek napako uporabljen, uporabljen v nasprotju z navodili iz priročnika za uporabo ali če ni bil pravilno povezan. Ta garancija ne velja za:
 - škodo na izdelku, ki je posledica neustreznega vzdrževanja
 - spremenjen ali prilagojen izdelek
 - izdelek, katerega originalna identifikacijska oznaka (blagovna znamka, serijska številka) je bil poškodovan, spremenjena ali odstranjena
 - škodo, ki je posledica neupoštevanja navodil iz priročnika za uporabo
 - izdelek, ki nima oznake CE
 - izdelek, ki ga je poskušal popraviti nekvalificiran strokovnjak ali ki je bil popravljen brez predhodne odobritve s strani družbe Techtronic Industries.
 - izdelek, ki je bil povezan na neustrezno napajanje (amperska moč, napetost, frekvenca)
 - izdelek, ki je bil uporabljen z neustrezno mešanico goriva (gorivo, olje, odstotek olja)
 - škodo, ki jo povzročijo zunanji vplivi (kemični, fizični, mehanski) ali tuje snovi
 - rezervne dele, ki so podvrženi običajni uporabi
 - neprimerno uporabo, preobremenitev orodja
 - uporabo neodobrenih dodatkov ali delov
 - Vsako redno prilagajanje ali vzdrževalno čiščenje uplinjačev
 - Komponente (sestavni in rezervni deli), ki so podvrženi običajni obrabi, med drugim vključno z gumbi odbijača, pogonskimi jermeni, sklopko, rezili obrezovalnikov za žive meje ali kosilnic za trato, nosilnimi pasovi, kablji, dušilnimi ventili, oglikovimi krtačami, napajalnimi kablji, zobci, tesnilni iz filca, veznimi zatiči, ventilatorji pihalnika, cevmi pihalnika in sesalnika, vrečko in pasovi sesalnika, vodilnimi palicami, verigami motorne žage, cevmi, priključki, razpršilnimi šobami, kolesi, razpršilnimi palicami, notranjimi kolesci, zunanji motki, rezalnimi vrvicami, vžigalnimi svečkami, zračnimi filtri, plinskimi filtri, rezili za mulčenje itd.
- Za servisiranje morate izdelek poslati ali prinesiti v pooblaščen servisni center družbe RYOBI, ki je naveden za vsako državo na naslednjem seznamu naslovov servisnih centrov. V nekaterih državah se vaš lokalni posrednik družbe RYOBI obveže, da bo poslal izdelek na servis družbe RYOBI. Ko pošiljate izdelek v servisni center družbe RYOBI, mora biti izdelek varno zapakiran in ne sme vsebovati nobenih nevarnih snovi, kot je npr. bencin, opravljen pa mora biti z naslovom pošiljatelja in vsebovati kratek opis napake.
- Popravilo/zamenjava v skladu s to garancijo sta brezplačni storitvi. To pa ne predstavlja podaljšanja ali ponovnega začetka garancijskega obdobja. Zamenjani deli ali orodja postanejo naša last. V nekaterih državah stroške dostave ali poštno plačilo pošiljatelja. Naše zakonsko določene pravice, ki izvirajo iz nakupa orodja, ostajajo nespremenjene.
- Ta garancija velja v Evropski skupnosti, Švici, Islandiji, na Norveškem, v Lichtenštajnu, v Turčiji in Rusiji. Izven teh območij se obrnite na svojega pooblaščenega posrednika izdelkov RYOBI, dealer ki vam bo povedal, ali velja kakšna druga garancija.

POOBLAŠČEN SERVISNI CENTER

Pooblaščen servisni center blizu vas poiščite na <http://uk.ryobitools.eu/header/service-and-support/service-agents>.

SK ZÁRUČNÉ PODMIENKY RYOBI®

Na tento výrobok sa okrem všetkých zákonných práv, vyplývajúcich z nákupu, vzťahuje záruka v nasledovnom znení.

- Záručná doba pre spotrebiteľa je 24 mesiacov a začína plynúť odo dňa, kedy bol výrobok zakúpený. Tento dátum musí byť doložený faktúrou alebo iným dokladom o zakúpení. Výrobok je navrhnutý a určený pre spotrebiteľa a len na súkromné používanie. Preto sa záruka sa neposkytuje v prípade použitia na profesionálne a komerčné účely.
- V prípade záhradného náradia (na striedavý/jednosmerný prúd AC/DC), existuje možnosť predĺženia záručnej doby oproti záručnej dobe, uvedenej vyššie, s využitím on-line registrácie na webovej stránke www.ryobitools.eu. Označenie na náradí o nároku na predĺženie záručnej doby je zreteľne uvedené v obchodoch a/alebo na obale a je uvedené v dokumentácii k výrobku. Koncový používateľ musí zaregistrovať svoje novozískané náradie on-line do 30 dní odo dňa nákupu. Koncový používateľ sa môže zaregistrovať na predĺženie záruky v krajine svojho bydliska, ak je v on-line registračnom formulári uvedená táto možnosť. Ďalej musia koncoví používatelia ešte dať svoj súhlas k uchovávaniu údajov, ktoré je potrebné zadať on-line a musia súhlasiť s podmienkami. Potvrdenie o prijatí registrácie, ktorý je zaslané e-mailom a originál faktúry, v ktorej je uvedený dátum nákupu, slúžia ako dôkaz o predĺžení záruke.
- Záruka sa vzťahuje na všetky poruchy výrobku v záručnej dobe, spôsobené chybami materiálů alebo spracovania k dátumu nákupu. Táto záruka je obmedzená na opravu a/alebo výmenu a nezahŕňa ďalšie povinnosti, vrátane, okrem iných, náhodné alebo následné škody. Táto záruka je neplatná, ak bol výrobok nesprávne používaný, bol používaný v rozpore s návodom na použitie alebo bol nesprávne zapojený. Táto záruka sa nevzťahuje na:
 - akékoľvek poškodenie výrobku, ktoré bolo spôsobené nesprávnou obsluhou
 - akýkoľvek výrobok, ktorý bol zmenený alebo upravený
 - akýkoľvek výrobok, na ktorom bolo poškodené, upravené alebo odstránené identifikačné označenie (ochranná známka, výrobné číslo)
 - akékoľvek škody, spôsobené nedodržaním návodu na obsluhu
 - akýkoľvek výrobok, ktorý neobsahuje označenie CE
 - akýkoľvek výrobok, ktorý sa pokúšajú opraviť nekvalifikovaný odborník alebo bol opravovaný bez predchádzajúceho súhlasu so strany spoločnosti Techtronic Industries.
 - akýkoľvek výrobok, pripojený k nesprávnemu napájaciemu zdroju (ampéry, napätie, frekvencia)
 - akýkoľvek výrobok, používaný s nesprávnou palivovou zmesou (palivo, olej, percento oleja)
 - akékoľvek poškodenia, spôsobené vonkajšími vplyvmi (chemickými, fyzikálnymi, nárazmi) alebo cudzordovými látkami
 - bežné opotrebovanie náhradných dielov
 - nevhodné použitie, preťažovanie nástroja
 - použitie neschváleného príslušenstva a dielov
 - Akékoľvek pravidelné úpravy alebo čistenie karburátorov, vykonávaných vrámcí údržby
 - Súčiastky (diely a príslušenstvo), ktoré podliehajú prirodzenému opotrebeniu, okrem iných, otočné gombíky, hnače remene, spojka, nože na nožnice na živý plot alebo kosačky na trávu, popruhy, lanko škrtačej klapky, uhľiky, napájací kábel, radličky, pistené podložky, závesné klice, lopatky fúkačov, trubice vysávača a fúkača, vak do vysávača a popruhy, vodiace lišty, reťazové pily, hadice, spojovacie armatúry, trysky, kolesá, striekacie rúrky, mútorné cievy, vonkajšie cievy, žacie lanká, zapalovacie sviečky, zduchovacie filtre, benzínové filtre, mulčovacie nože atď.
- Na opravu musí byť výrobok odoslaný alebo doručený do autorizovaného servisného strediska RYOBI, uvedeného pre každú krajinu v nasledovnom zozname adries servisných stredísk. V niektorých krajinách miestny zástupca RYOBI preberá na seba záväzok zaslať tovar do servisnej organizácie RYOBI. Pri odoslaní výrobku do servisného strediska RYOBI je potrebné výrobok bezpečne zabaliť bez akéhokoľvek nebezpečného obsahu, ako je benzín, s vyznačením adresy odosielateľa, s krátkym popisom poruchy.
- Oprava/výmena je vrámcí tejto záruky bezplatná. Neznamená to predĺženie záruky alebo spôsobenie novej záručnej doby. Vymenené diely alebo nástroje sa stávajú našim vlastníctvom. V niektorých krajinách náklady na odoslanie alebo poštné musí zaplatiť odosielateľ. Vše zákonné práva, vyplývajúce z nákupu náradia, zostávajú nedotknuté.
- Táto záruka platí v Európskej únii, Švajčiarsku, Islande, Nórsku, Lichtenštajnsku, Turesku a Rusku. Ak sa nachádzate mimo týchto oblastí, obráťte sa na autorizovaného predajcu RYOBI na určenie, či sa dá uplatniť iná záruka.

AUTORIZOVANÉ SERVISNÉ CENTRUM

Ak chcete nájsť najbližšie autorizované servisné centrum, navštívte stránku <http://uk.ryobitools.eu/header/service-and-support/service-agents>.

BG УСЛОВИЯ ЗА ВАЛИДНОСТ НА ГАРАНЦИЯТА НА RYOBI®

В допълнение към законоустановените права, произтичащи от покупката, този продукт е обхванат от гаранция, както е изложено по-долу.

- Гаранционният срок е 24 месеца за клиенти и започва да тече от деня на закупуване на продукта. Тази дата трябва да се докаже с фактура или друго доказателство за покупка. Продуктът е изработен и предназначен само за потребителска и лична употреба. Следователно не се дава гаранция в случай на използване от професионалисти или с търговска цел.
- Съществува възможност за удължаване на гаранционния срок за част от диапозона на гаранцията на градински инструменти (AC/DC) след изтичането на описания тук чрез регистрация на уеб сайта www.ryobitools.eu. В магазините и/или на опаковката или вътре в документацията на продукта е показано ясно дали инструментът отговаря на условията за такова удължаване на гаранционния срок. Крайният потребител трябва да регистрира своите новопридобити инструменти онлайн в рамките на 30 дни от датата на покупка. Крайният потребител може да се регистрира за удължена гаранция в държавата си на пребиваване, ако е посочена във формуляра за онлайн регистрация като място, където тази опция е валидна. Освен това крайните потребители трябва да дават съгласието си за съхранение на данните, които са задължителни за попълване онлайн, и трябва да приемат общите условия. Полученото потвърждение за регистрация, изработено по електронна поща, и оригиналната фактура, показваща датата на покупка, ще служат като доказателство за удължената гаранция.
- Гаранцията покрива всички дефекти на продукта по време на гаранционния срок, които се дължат на проблеми в изработката или материалите към момента на покупката. Гаранцията е ограничена до ремонт и/или замяна и не включва други задължения, включително, но не само, случайни или косвени щети. Гаранцията е невалидна, ако продуктът е използван неправилно или в противоречие с ръководството с инструкции, както и ако е свързан неправилно. Тази гаранция не важи за:
 - щети по продукта в резултат на неправилна профилактика
 - продукти, които са били изменени или модифицирани
 - продукт, при който оригиналните маркировки за идентификация (търговска марка, серийн номер) са изтрпани, променени или премахнати
 - повреда, причинена от неспазване на ръководството с инструкции
 - продукт без CE маркировка
 - продукт, за който е направен опит за ремонт от невалифициран специалист или без предварително разрешение от Techtronic Industries.
 - продукт, свързан към неподходящо електрохранване (ампераж, волтаж, честота)
 - продукт, използван с неподходяща горивна смес (гориво, масло, процент масло)
 - щети, причинени от външни влияния (химични, физични, удари) или чужди вещества
 - нормално износване на резервни част
 - неподходяща употреба, претоварване на инструмента
 - използване на неподходящи аксесоари или части
 - Всякакви периодични настройки или почистване с цел извършване на поддръжка на карбуратори
 - Компоненти (част и аксесоари), подложени на естествено износване, включително, но не само, копчета за тласкане, задвижващи ремъци, съединител, остриета на ножици за жив плет или косачки за трева, презарамки, кабелен дросел, карбонови четки, захранващ кабел, остриета, филцови шайби, осигурителни щифтове, вентилатори на уреди за обдухване, тръби за обдухване и всмукване, торба за отпадъци и ремъци, водещи шини, вериги за триони, маркучи, филтинги на конектори, дюзи, копела, пръскалки, вътрешни и външни макари, рещоце влакно, запалителни свещи, въздушни филтри, горивни филтри, остриета за мулчиране и др.
- За обслужване продуктът трябва да се изпрати или занесе на авторизиран сервиз на RYOBI, посочен за всяка държава в следния списък с адреси на сервизи. В някои държави местният търговец на RYOBI поема отговорността да изпрати продукта до сервизен център на RYOBI. При изпращане на продукт до сервиз на RYOBI той трябва да е опакован безопасно без опасо съдържание, напр. бензин, да е маркиран с адреса на подателя и придружен от кратко описание на повредата.
- Ремонтът/замяната по силата на тази гаранция са безплатни. Те не водят до удължаване или подновяване на гаранционния срок. Сменените части или инструменти стават наша собственост. В някои държави таксите за доставка или изпращане трябва да се платят от подателя. Законоустановените ви права, произтичащи от закупуването на инструмента, остават незаосенгати
- Тази гаранция е валидна в Европейската общност, Швейцария, Исландия, Норвегия, Лихтенщайн, Турция и Русия. Извън тези области се свържете с упълномощения търговец на RYOBI, за да се установи дали е приложима друга гаранция.

УПЪЛНОМОЩЕН СЕРВИЗЕН ЦЕНТЪР

За да намерите упълномощен сервизен център близо до вас, посетете <http://uk.ryobitools.eu/header/service-and-support/service-agents>.

UK ГАРАНТИЙНИ УМОВИ ДЛЯ RYOBI®

Окрім загалом установених законом прав, що стосуються покупки, цей пристрій покривається гарантією, що зазначено нижче.

- Гарантійний період для споживачів складає 24 місяці і починається з моменту придбання цього пристрою. Ця дата повинна бути задокументована у гарантійному талоні або чеку. Цей пристрій був розроблений і призначений тільки для споживчого та приватного використання. У разі професійного або комерційного використання цього пристрою, він втрачає гарантію.
- Існує можливість продовжити гарантійний період, понад період описаний вище, для частини лінійки садових інструментів (перемінного/постійного струму) за допомогою реєстрації на сайті www.ryobitools.eu. Пристрої, які мають право на подовження гарантійного періоду, мають чіткі позначки щодо цього в магазинах і / або на опаковці / та документації до пристрою. Кінцевий користувач повинен зареєструвати його/її новопридбаний пристрій онлайн протягом 30 днів з дати покупки. Кінцевий користувач може зареєструватися для подовження гарантійного періоду в своїй країні постійного перебування, якщо вона є доступною і відповідною опції онлайн форм реєстрації. Крім того, кінцеві користувачі повинні дати свою згоду на зберігання даних, які необхідні для введення онлайн, а також вони повинні прийняти правила та умови. Отримання підтвердження реєстрації, яке відправляється на адресу електронної пошти, та оригінал гарантійного талона і зазначеною датою покупки буде слугувати доказом подовженої гарантії.
- Гарантія поширюється на всі дефекти пристрою протягом гарантійного терміну щодо недотримання стандартів виробництва або матеріалів на дату придбання. Гарантія обмежується ремонтом та/або заміною, та не включає в себе будь-яких інших зобов'язань, в тому числі, але необмежена у разі випадкових та подальших пошкоджень. Гарантія не діє, якщо пристрій використовувався неналежним чином, всупереч інструкції з експлуатації або був неправильно підключений до мережі. Дана гарантія не поширюється на:
 - пристрій, що були пошкоджені у результаті неправильного технічного обслуговування;
 - пристрій, що були відозомінені або модифіковані;
 - пристрій, оригінальне ідентифікаційне (товарний знак, серійний номер) маркування яких було пошкоджене, змінене або видалено;
 - будь-які пошкодження, заподіяні недотриманням інструкції з експлуатації;
 - пристрої, що не мають маркування CE;
 - пристрої, що були відремонтовані неваліфікованим фахівцем або за відсутності попереднього дозволу від Techtronic Industries;
 - пристрої, підключені до невідповідного джерела живлення (сила току, напруження, частота);
 - пристрої, що використовувались із невідповідною паливною сумішшю (паливом, оливою, відсотковою часткою оливи);
 - будь-які пошкодження спричинені зовнішнім впливом (хімічними, фізичними, стрибком напруги) або сторонніми речовинами;
 - нормальну амортизацію запасних частин;
 - невідповідне використання, перевантаження пристрою;
 - використання невідтверджених запасних частин або аксесуарів;
 - Будь-які періодичні коригування або технічне очищення карбураторів
 - Компоненти (частини та аксесоари) з урахуванням нормального зношування, враховуючи але без обмеження на імпульсні кнопки, ремені приводу, зчеплення, леза куцюрза або газонокосарки, ремені, тросоі дросельного клапану, вугільні шпінти, шнурки живлення, зубці, фетрові підкладки, зчпні шпінти, вентилятори повітродувки, трубки пилюсоа та повітродувки, вакуумні мішки та накладки, напрямні, ланцюги, гнучкі шланги, з'єднувальні фітинги, розпилювальні насадки, колеса, жорсткі сопла, внутрішні котушки, зовнішні золотники, річкові волосінки, свчки запалення, повітряні фільтри, протигазові фільтри, мультывальні леза, т.д.
- Для обслуговування, пристрій має бути відправлений або поданий до одного з авторизованих сервісних центрів RYOBI, які перелічені для кожної країни у наступному переліку адрес сервісних центрів. У деяких країнах місцевий дилер RYOBI зобов'язується відправити пристрій до сервісного центру RYOBI. При відправленні пристрою до сервісного центру RYOBI, пристрій має бути надійно упакований без будь-якого небезпечного вмісту, наприклад бензину, з позначеною адресою відправника та супроводжуватися коротким описом несправності.
- Ремонт / заміна відповідно до цієї гарантії здійснюється безкоштовно. Це не є основою для подовження або початку нового гарантійного періоду. Замінені частини або прилади переходять до власності компанії. У деяких країнах вартість доставки або поштові витрати повинні бути сплачені відправником. Загально встановлені права покупця на пристрій залишаються незмінними
- Ця гарантія діє в Європейському Союзі, Швейцарії, Ісландії, Норвегії, Лихтенштейні, Туреччині та Росії. За межами цих зон, будь ласка, зверніться до офіційного дилера RYOBI, щоб визначити, чи застосовується інша гарантія.

АВТОРИЗОВАНІ СЕРВІСНІ ЦЕНТРИ

Для отримання оновленого переліка авторизованих сервісних центрів, відвідайте <http://ru.ryobitools.eu/header/service-and-support/service-agents/>

TR RYOBI® GARANTİ UYGULAMA KOŞULLARI

Alımdan kaynaklanan yasal haklara ek olarak, ürün aşağıda belirtilen garanti kapsamındadır.

1. Tüketiciler için 24 ay olan garanti süresi, ürünün satın alındığı tarihte başlar. Bu tarihin bir fatura ya da alım kanıtıyla belgelenmesi gerekir. Ürün sadece tüketim ve özel kullanım için geliştirilmiş ve adanmıştır. Bu nedenle, profesyonel ya da ticari kullanım halinde garanti kapsamı sağlanmaz.
2. Bahçe aletlerinin bir bölümü (AC/DC) için www.ryobitools.eu sayfasındaki kayıt işlemini kullanarak garantinin belirtilen sürenin ötesine uzatma imkanı mevcuttur. Aletlerin garanti süresinin uzatılmasına uygun olup olmadığı mağazalarda ve / veya ambalajda açıkça belirtilmiş olup, ürün dokümantasyonunda gösterilir. Son kullanıcının yeni aldığı aletleri satın alma tarihini izleyen 30 gün içinde kaydettirmesi gerekir. Son kullanıcı ikamet ettiği ülkede, bu seçeneğin geçerli olduğu çevrimiçi kayıt formunda belirtilmişse, uzatılmış garanti süresi için kayıt yaptırabilir. Dahası, son kullanıcıların çevrimiçi giriş için gerekli verilerin kaydedilmesine izin vermeli ve hüküm ve koşulları kabul etmelidir. E-posta ile gönderilen kayıt teyit makbuzu ve alım tarihini gösteren orijinal fatura uzatılmış garantinin kanıtı olarak değerlendirilir.
3. Garanti, ürünün alım tarihindeki işçilik ve malzeme kusurları nedeniyle garanti süresi içinde oluşacak bütün arızalarını kapsar. Bu garanti onarım ve değiştirmeyle sınırlı olup, tesadüfi ya da dolaylı hasarlar da dahil, ancak bunlarla kısıtlı olmayan başka hiçbir taahhüdü kapsamaz. Garanti, ürünün kötü, kullanıcı kılavuzuna aykırı kullanılmış ya da yanlış bağlanmış olması halinde geçerli değildir. Bu garanti aşağıdakileri kapsamaz:
 - üründe, yanlış bakımdan kaynaklanan herhangi bir hasar
 - değiştirilmiş ya da modifiye edilmiş herhangi bir ürün
 - orijinal tanıtm işaretleri (ticari marka, seri numarası) silinmiş, değiştirilmiş ya da kaldırılmış herhangi bir ürün
 - kullanma kılavuzuna uymamaktan kaynaklanmış herhangi bir hasar
 - herhangi bir AT dışı ürün
 - kalifiye olmamış personel tarafından ya da önceden Techtronic Industries onayı alınmadan onarılmış herhangi bir ürün.
 - uygunsuz güç kaynağına (amper, voltaj, frekans) bağlanmış herhangi bir ürün
 - uygunsuz bir yakıt karışımıyla (yakıt, yağ, yap yüzdesi) kullanılmış herhangi bir ürün
 - harici etkenlerden (kimyasal, fiziksel, darbe) veya yabancı cisimlerden kaynaklanan her türlü hasar
 - normal aşınır ve yıpranır aksam
 - uygunsuz kullanım, aletin aşırı yüklenmesi
 - onaysız aksesuar veya parça kullanımı
 - Karbüratörlere uygulanacak her türlü periyodik ayar, bakım veya temizlik
 - Darbe Düğmeleri, Tahrir Kayışları, Kavrama, Çit Budama ya da Çim Bıçma Makinelerinin Bıçakları, Kayış Koşumlar, Kablo Gaz, Kömür Fırçalar, Güç Kablosu, Dişler, Keçe Rondelalar, Bağlantı Pimleri, Üfleyci Pervaneleri, Üfleyci ve Vakum Boruları, Vakum Torbası ve Kayışları, Kılavuz Çubuklar, Zincir Testere, Hortumlar, Konektör bağlantıları, Püskürtme Memeleri, Çarklar, Püskürtme Çubukları, Dahili Makaralar, Harici Makaralar, Kesme Telleri, Bujiler, Hava Filtreleri, Gaz Filtreleri, Malçlama Bıçakları vb. gibi parçaları kapsayan, ancak bunlarla sınırlı olmayan, aşınma ve yıpranmaya tabi bileşenler (aksam ve aksesuarlar).
4. Ürünün servis için her ülkede aşağıdaki servis istasyonları adres listesinde yer alan yetkili bir RYOBI servis istasyonuna gönderilmesi ya götürülmesi gereklidir. Bazı ülkelerde, yerel RYOBI distribütörünüz ürünü RYOBI servis teşkilatına göndermeyi üstlenir. Bir ürün bir RYOBI servis istasyonuna gönderilirken, ürünün güvenli bir biçimde ambalajlanması, benzin gibi tehlikeli maddeler içermemesi, gönderenin adresini taşıması ve arızanın kısa bir açıklamasını içermesi gerekir.
5. Bu garanti kapsamında yapılacak onarım / değişiklik ücretsizdir. Garanti süresinin uzatılması ya da yeniden başlatılması anlamına gelmez. Değiştirilmiş parçalar veya aletler bize ait olur. Bazı ülkelerde teslim ücretleri veya posta giderlerinin gönderici tarafından ödenmesi gerekir. Alımdan kaynaklanan yasal haklarınız etkilenmez.
6. Bu Garanti Avrupa Topluluğu, İsviçre, İzlanda, Norveç, Liechtenstein, Türkiye ve Rusya'da geçerlidir. Bu alanların dışında, başka bir garantinin geçerli olup olmadığını belirlemek için lütfen yetkili RYOBI distribütörünüzle irtibata geçin.

YETKİLİ SERVİS MERKEZİ

En yakın yetkili servis merkezini öğrenmek için <http://uk.ryobitools.eu/header/service-and-support/service-agents> sitesine girin.

EN DECLARATION OF CONFORMITY

Techtronic Industries GmbH
Max-Eyth-Straße 10, 71364 Winnenden, Germany

Herewith we declare that the product

Petrol hedge trimmer
Brand: RYOBI
Model number: RHT25X55R
Serial number range: 46251701000001-46251701999999

is in conformity with the following European Directives and harmonised standards
2006/42/EC, 2014/30/EU, 2000/14/EC, 2005/88/EC, 97/68/EC as last
amended 2012/46/EU,
EN ISO 10517:2009 +A1:2013, EN ISO 14982:2009, EN ISO 3744:2010

Measured sound power level: 102.4 dB (A)
Guaranteed sound power level: 105 dB (A)

Conformity assessment method to Annex V Directive 2000/14/EC amended by
2005/88/EC.

Floyd Jeffrey Nesom (BSME)
Senior Director of Engineering
Winnenden, Jan. 23, 2018

Authorised to compile the technical file:
Alexander Krug, Managing Director
Techtronic Industries GmbH
Max-Eyth-Straße 10, 71364 Winnenden, Germany

CE

DE KONFORMITÄTSERKLÄRUNG

Techtronic Industries GmbH
Max-Eyth-Straße 10, 71364 Winnenden, Germany

Hiermit erklären wir, dass die Produkte

Benzinbetriebene Heckenschere
Marke: RYOBI
Modellnummer: RHT25X55R
Seriennummernbereich: 46251701000001-46251701999999

mit den folgenden europäischen Richtlinien und harmonisierten Normen entspricht
2006/42/EC, 2014/30/EU, 2000/14/EC, 2005/88/EC, 97/68/EC wie zuletzt
geändert 2012/46/EU,
EN ISO 10517:2009 +A1:2013, EN ISO 14982:2009, EN ISO 3744:2010

Gemessener Schalleistungspegel: 102.4 dB (A)
Garantierter Schalleistungspegel: 105 dB (A)

Konformitätsbeurteilungsmethode zu Anhang V Richtlinie 2000/14/EC geändert
durch 2005/88/EC.

Floyd Jeffrey Nesom (BSME)
Generaldirektor Technik
Winnenden, Jan. 23, 2018

Autorisiert die technische Datei zu erstellen:
Alexander Krug, Geschäftsführer
Techtronic Industries GmbH
Max-Eyth-Straße 10, 71364 Winnenden, Germany

CE

FR DÉCLARATION DE CONFORMITÉ

Techtronic Industries GmbH
Max-Eyth-Straße 10, 71364 Winnenden, Germany

Déclarons par la présente que le produit

Taille-haie à essence
Marque: RYOBI
Numéro de modèle: RHT25X55R
Etendue des numéros de série: 46251701000001-46251701999999

est conforme aux Directives Européennes et Normes Harmonisées suivantes
2006/42/EC, 2014/30/EU, 2000/14/EC, 2005/88/EC, 97/68/EC comme
précédemment modifié 2012/46/EU,
EN ISO 10517:2009 +A1:2013, EN ISO 14982:2009, EN ISO 3744:2010

Niveau de puissance sonore mesuré: 102.4 dB (A)
Niveau de puissance sonore garanti: 105 dB (A)

Procédure de vérification de conformité à l'Annexe V de la Directive 2000/14/EC,
modifiée par 2005/88/EC.

Floyd Jeffrey Nesom (BSME)
Directeur Principal de l'ingénierie
Winnenden, Jan. 23, 2018

Autorisé à rédiger le dossier technique:
Alexander Krug, Directeur Général
Techtronic Industries GmbH
Max-Eyth-Straße 10, 71364 Winnenden, Germany

CE

ES DECLARACIÓN DE CONFORMIDAD

Techtronic Industries GmbH
Max-Eyth-Straße 10, 71364 Winnenden, Germany

Por la presente declaramos que los productos

Cortasetos de gasolina
Marca: RYOBI
Número de modelo: RHT25X55R
Intervalo del número de serie: 46251701000001-46251701999999

se encuentra en conformidad con las siguientes Directivas Europeas y normas
armonizadas
2006/42/EC, 2014/30/EU, 2000/14/EC, 2005/88/EC, 97/68/EC como se
modificó la última vez 2012/46/EU,
EN ISO 10517:2009 +A1:2013, EN ISO 14982:2009, EN ISO 3744:2010

Nivel de potencia acústica medido: 102.4 dB (A)
Nivel de potencia acústica garantizado: 105 dB (A)

Método de evaluación de la conformidad del anexo V de la Directiva 2000/14/
EC, modificada por la Directiva 2005/88/EC.

Floyd Jeffrey Nesom (BSME)
Director sénior de Ingeniería
Winnenden, Jan. 23, 2018

Autorizado para elaborar la ficha técnica:
Alexander Krug, Administrador Ejecutivo
Techtronic Industries GmbH
Max-Eyth-Straße 10, 71364 Winnenden, Germany

CE

IT DICHIARAZIONE DI CONFORMITÀ

Techtronic Industries GmbH
Max-Eyth-Straße 10, 71364 Winnenden, Germany

Si dichiara con la presente che il prodotto
Tosasepi a benzina

Marca: RYOBI
Numero modello: RHT25X55R
Gamma numero seriale: 46251701000001-46251701999999

è conforme alle seguenti Direttive Europee e ai seguenti standard armonizzati
2006/42/EC, 2014/30/EU, 2000/14/EC, 2005/88/EC, 97/68/EC come da
ultima modifica 2012/46/EU,
EN ISO 10517:2009 +A1:2013, EN ISO 14982:2009, EN ISO 3744:2010

Livello di potenza acustica misurato: 102.4 dB (A)
Livello di potenza sonora garantita: 105 dB (A)

Metodo di valutazione conforme all'Allegato V Direttiva 2000/14/EC modificata
da 2005/88/EC.

Floyd Jeffrey Nesom (BSME)
Direttore Senior Sezione Ingegneria
Winnenden, Jan. 23, 2018

Autorizzato per compilare il file tecnico:
Alexander Krug, Direttore Amministrativo
Techtronic Industries GmbH
Max-Eyth-Straße 10, 71364 Winnenden, Germany

CE

PT DECLARAÇÃO DE CONFORMIDADE

Techtronic Industries GmbH
Max-Eyth-Straße 10, 71364 Winnenden, Germany

Pelo presente declaramos que os produtos
Recortador de sebas a gasolina

Marca: RYOBI
Número do modelo: RHT25X55R
Intervalo do número de série: 46251701000001-46251701999999

se encontra em conformidade com as seguintes Directivas Europeias e normas
harmozizadas
2006/42/EC, 2014/30/EU, 2000/14/EC, 2005/88/EC, 97/68/EC conforme a
última alteração 2012/46/EU,
EN ISO 10517:2009 +A1:2013, EN ISO 14982:2009, EN ISO 3744:2010

Nível de potência sonora medido: 102.4 dB (A)
Nível de potência sonora garantido: 105 dB (A)

Método de avaliação de conformidade em Anexo V conforme a Directiva
2000/14/EC alterada por 2005/88/EC.

Floyd Jeffrey Nesom (BSME)
Director Sênior de Engenharia
Winnenden, Jan. 23, 2018

Autorizado para compilar o ficheiro técnico:
Alexander Krug, Administrador Executivo
Techtronic Industries GmbH
Max-Eyth-Straße 10, 71364 Winnenden, Germany

CE

NL CONFORMITEITSVERKLARING

Techtronic Industries GmbH
Max-Eyth-Straße 10, 71364 Winnenden, Germany

Hierbij verklaren wij dat het product
Benzine-heggenschaar

Merk: RYOBI
Modelnummer: RHT25X55R
Serienummerbereik: 46251701000001-46251701999999

is in overeenstemming met de volgende Europese Richtlijnen en geharmoniseerde
normen
2006/42/EC, 2014/30/EU, 2000/14/EC, 2005/88/EC, 97/68/EC zoals
laatstelijk gewijzigd 2012/46/EU,
EN ISO 10517:2009 +A1:2013, EN ISO 14982:2009, EN ISO 3744:2010

Gemeten geluids niveau: 102.4 dB (A)
Gegarandeerd geluids niveau: 105 dB (A)

Conformiteitsbeoordelingsmethode behorende bij Bijlage V van richtlijn 2000/14/
EC, aangepast van 2005/88/EC.

Floyd Jeffrey Nesom (BSME)
Directeur Ontwerp
Winnenden, Jan. 23, 2018

Afgevaardigde voor het samenstellen van de technische fiche:
Alexander Krug, Directeur
Techtronic Industries GmbH
Max-Eyth-Straße 10, 71364 Winnenden, Germany

CE

DA OVERENSSTEMMELSESERKLÆRING

Techtronic Industries GmbH
Max-Eyth-Straße 10, 71364 Winnenden, Germany

Vi erklærer hermed, at produktet

Benzindrevet hækkeklipper
Brand: RYOBI
Modelnummer: RHT25X55R
Serienummerområde: 46251701000001-46251701999999

er i overensstemmelse med følgende EU-direktiver og harmoniserede standarder
2006/42/EC, 2014/30/EU, 2000/14/EC, 2005/88/EC, 97/68/EC senest
ændret 2012/46/EU,
EN ISO 10517:2009 +A1:2013, EN ISO 14982:2009, EN ISO 3744:2010

Målt støjniveau: 102.4 dB (A)
Garanteret støjniveau: 105 dB (A)

Overensstemmelsesvurderingsmetode til Bilag V direktiv 2000/14/EC ændret
ved 2005/88/EC.

Floyd Jeffrey Nesom (BSME)
Maskinteknisk underdirektør
Winnenden, Jan. 23, 2018

Bemyndiget til at udarbejde det tekniske kartotek:
Alexander Krug, Administrerende Direktør
Techtronic Industries GmbH
Max-Eyth-Straße 10, 71364 Winnenden, Germany

CE

SV KONFORMITETSDEKLARATION

Techtronic Industries GmbH
Max-Eyth-Straße 10, 71364 Winnenden, Germany

Härmed deklarerar vi att produkterna

Bensindriven häcktrimmer
Märke: RYOBI
Modellnummer: RHT25X55R
Serienummerintervall: 46251701000001-46251701999999

är i enlighet med följande EU-direktiv och harmoniserade standarder
2006/42/EC, 2014/30/EU, 2000/14/EC, 2005/88/EC, 97/68/EC senast
ändrad 2012/46/EU,
EN ISO 10517:2009 +A1:2013, EN ISO 14982:2009, EN ISO 3744:2010

Uppmätt ljudeffektnivå: 102.4 dB (A)
Garanterad ljudeffektnivå: 105 dB (A)

Bedömningsmetod för överensstämmelse Annex V Directive 2000/14/EC med
tillägg 2005/88/EC.

Floyd Jeffrey Nesom (BSME)
Senior Director of Engineering
Winnenden, Jan. 23, 2018

Godkänd att sammanställa den tekniska filen:
Alexander Krug, VD
Techtronic Industries GmbH
Max-Eyth-Straße 10, 71364 Winnenden, Germany

CE

NO SAMSVARERKLÆRING

Techtronic Industries GmbH
Max-Eyth-Straße 10, 71364 Winnenden, Germany

Herved erklærer vi at produktet

Bensindrevet hekkssaks
Märke: RYOBI
Modellnummer: RHT25X55R
Serienummerserie: 46251701000001-46251701999999

er i samsvar med følgende europeiske direktiver og harmoniserte standarder
2006/42/EC, 2014/30/EU, 2000/14/EC, 2005/88/EC, 97/68/EC som sist
endret 2012/46/EU,
EN ISO 10517:2009 +A1:2013, EN ISO 14982:2009, EN ISO 3744:2010

Målt lydteffektivnivå: 102.4 dB (A)
Garantert lydteffektivnivå: 105 dB (A)

Vurderingsmetode for samsvar til Tillegg V Direktiv 2000/14/EC, endret ved
2005/88/EC.

Floyd Jeffrey Nesom (BSME)
Seniorleder ingeniørvdeling
Winnenden, Jan. 23, 2018

Autorisert til å sette sammen den tekniske filen:
Alexander Krug, Administrerende Direktør
Techtronic Industries GmbH
Max-Eyth-Straße 10, 71364 Winnenden, Germany

CE

FI SÄÄNNÖSTEN NOUDATTAMINEN

Techtronic Industries GmbH
Max-Eyth-Straße 10, 71364 Winnenden, Germany

Ilmoitamme täten, että tuotteet

Bensiinikäyttöinen pensasleikkuri
Tuotemerkki: RYOBI
Mallinumero: RHT25X55R
Sarjanumeroalue: 46251701000001-46251701999999

noudattaa seuraavia EU-direktiivejä ja harmonoituja standardeja
2006/42/EC, 2014/30/EU, 2000/14/EC, 2005/88/EC, 97/68/EC sellaisena
kuin viimeksi muutettuna 2012/46/EU,
EN ISO 10517:2009 +A1:2013, EN ISO 14982:2009, EN ISO 3744:2010

Mitattu äänenteho: 102.4 dB (A)
Taattu äänitehon: 105 dB (A)

Säännösten noudattaminen tarkastettu 2005/88/EC:n muuntaman direktiivin
2000/14/EC liitteen V mukaisesti.

Floyd Jeffrey Nesom (BSME)
Suunnitteluosaston pääjohtaja
Winnenden, Jan. 23, 2018

Valluutettu kokoamaan tekninen tiedosto:
Alexander Krug, Toimilisuusjohtaja
Techtronic Industries GmbH
Max-Eyth-Straße 10, 71364 Winnenden, Germany

CE

RU ЗАЯВЛЕНИЕ О СООТВЕТСТВИИ ТРЕБОВАНИЯМ

Techtronic Industries GmbH
Max-Eyth-Straße 10, 71364 Winnenden, Germany

Настоящим мы заявляем, что данный продукт

Бензиновый триммер
Марка: RYOBI
Номер модели: RHT25X55R
Диапазон заводских номеров: 46251701000001-46251701999999

соответствует требованиям следующих Директив ЕС и согласованных
стандартов
2006/42/EC, 2014/30/EU, 2000/14/EC, 2005/88/EC, 97/68/EC в последней
редакции 2012/46/EU,
EN ISO 10517:2009 +A1:2013, EN ISO 14982:2009, EN ISO 3744:2010

Измеренный уровень звуковой мощности: 102.4 dB (A)
Гарантируемый уровень звуковой мощности: 105 dB (A)

Подтверждение соответствия согласно методу, указанному в Приложении
V Директивы 2000/14/EC, замененной Директивой 2005/88/EC.

Floyd Jeffrey Nesom (BSME)
Старший технический директор
Winnenden, Jan. 23, 2018

Лицо, ответственное за подготовку технической документации:
Alexander Krug, Директор
Techtronic Industries GmbH
Max-Eyth-Straße 10, 71364 Winnenden, Germany

CE

PL DEKLARACJA ZGODNOŚCI

Techtronic Industries GmbH
Max-Eyth-Straße 10, 71364 Winnenden, Germany

Niniejszym deklarujemy, że produkty
Benzynowa przycinarka do żywopłotu
Marka: RYOBI
Numer modelu: RHT25X55R
Zakres numerów seryjnych: 46251701000001-46251701999999

jest zgodny z następującymi dyrektywami europejskimi i zharmonizowanymi normami
2006/42/EC, 2014/30/EU, 2000/14/EC, 2005/88/EC, 97/68/EC z
najnowszymi zmianami 2012/46/EU,
EN ISO 10517:2009 +A1:2013, EN ISO 14982:2009, EN ISO 3744:2010

Zmierzony poziom natężenia hałasu: 102.4 dB (A)
Maksymalny poziom natężenia hałasu: 105 dB (A)

Metoda oceny zgodności do załącznika V Dyrektywa 2000/14/EC z aktualizacją 2005/88/EC.

Floyd Jeffrey Nesom (BSME)
Dyrektor Techniczny
Winnenden, Jan. 23, 2018

Osoba upoważniona do sporządzenia dokumentu technicznego:
Alexander Krug, Dyrektor Zarządzający
Techtronic Industries GmbH
Max-Eyth-Straße 10, 71364 Winnenden, Germany

CE

HU IZJAVA O USKLAĐENOSTI

Techtronic Industries GmbH
Max-Eyth-Straße 10, 71364 Winnenden, Germany

Ezúton kijelentjük, hogy a termék
Benzines sövényvágó
Márka: RYOBI
Típusszám: RHT25X55R
Sorozatszám tartomány: 46251701000001-46251701999999

megfelel az alábbi Európai irányelvek és harmonizált szabványok vonatkozó rendelkezéseinek
2006/42/EC, 2014/30/EU, 2000/14/EC, 2005/88/EC, 97/68/EC a legutolsó módosítás szerint 2012/46/EU,
EN ISO 10517:2009 +A1:2013, EN ISO 14982:2009, EN ISO 3744:2010

Mért hangteljesítményszint: 102.4 dB (A)
Garantált hangteljesítményszint: 105 dB (A)

A megfelelőőség kiértékelésére használt módszer megfelel a 2005/88/EC irányelvvel módosított 2000/14/EC irányelv V. mellékletének.

Floyd Jeffrey Nesom (BSME)
Senior Tervezési Igazgató
Winnenden, Jan. 23, 2018

A műszaki dokumentáció összeállítására felhatalmazott:
Alexander Krug, Ügyvezető Igazgató
Techtronic Industries GmbH
Max-Eyth-Straße 10, 71364 Winnenden, Germany

CE

CS PROHLÁŠENÍ O SHODĚ

Techtronic Industries GmbH
Max-Eyth-Straße 10, 71364 Winnenden, Germany

Tímto prohlašujeme, že výrobky
Benzinový plotosťník
Značka: RYOBI
Číslo modelu: RHT25X55R
Rozsah sériových čísel: 46251701000001-46251701999999

že tento výrobek je v souladu s evropskými a harmonizovanými standardy
2006/42/EC, 2014/30/EU, 2000/14/EC, 2005/88/EC, 97/68/EC podle
poslední úpravy 2012/46/EU,
EN ISO 10517:2009 +A1:2013, EN ISO 14982:2009, EN ISO 3744:2010

Změřená hladina akustického výkonu: 102.4 dB (A)
Zaručená hladina akustického výkonu: 105 dB (A)

Soulad s metodou určování pro přílohu V směrnice 2000/14/EC pozměněná 2005/88/EC.

Floyd Jeffrey Nesom (BSME)
Vedoucí ředitel pro strojní zařízení
Winnenden, Jan. 23, 2018

Pověření ke kompilaci technického souboru:
Alexander Krug, Generální Ředitel
Techtronic Industries GmbH
Max-Eyth-Straße 10, 71364 Winnenden, Germany

CE

RO DECLARAȚIE DE CONFORMITATE

Techtronic Industries GmbH
Max-Eyth-Straße 10, 71364 Winnenden, Germany

Prin prezenta, declarăm că produsele
Unealtă cu benzină pentru tund gardul viu
Marcă: RYOBI
Număr serie: RHT25X55R
Gamă număr serie: 46251701000001-46251701999999

este în conformitate cu următoarele Directive Europene și standarde armonizate
2006/42/EC, 2014/30/EU, 2000/14/EC, 2005/88/EC, 97/68/EC conform
ultimei modificări 2012/46/EU,
EN ISO 10517:2009 +A1:2013, EN ISO 14982:2009, EN ISO 3744:2010

Nivelul măsurat al puterii acustice: 102.4 dB (A)
Nivelul garantat al puterii acustice: 105 dB (A)

Metoda de evaluare a conformității la Anexa V a Directivei 2000/14/EC amendată de 2005/88/EC.

Floyd Jeffrey Nesom (BSME)
Director general de inginerie
Winnenden, Jan. 23, 2018

Autorizat să completeze fișa tehnică:
Alexander Krug, Director General
Techtronic Industries GmbH
Max-Eyth-Straße 10, 71364 Winnenden, Germany

CE

LV ATBILSTĪBAS PAZIŅOJUMS

Techtronic Industries GmbH
Max-Eyth-Straße 10, 71364 Winnenden, Germany

Ar šo paziņojam, ka produkti

Benzīna dzinēja krūmu šķēres
Zīmols: RYOBI
Modeļa numurs: RHT25X55R
Sērijas numura intervāls: 46251701000001-46251701999999

atbilst šādām Eiropas direktīvām un saskaņotajiem standartiem
2006/42/EC, 2014/30/EU, 2000/14/EC, 2005/88/EC, 97/68/EC kā pēdējās
izmaiņas 2012/46/EU,
EN ISO 10517:2009 +A1:2013, EN ISO 14982:2009, EN ISO 3744:2010

Izmērītās skaņas jaudas līmenis: 102.4 dB (A)
Garantētais skaņas intensitātes līmenis: 105 dB (A)

Atbilst Direktīvas 2000/14/EC V pielikumam, ko grozījusi Direktīva 2005/88/EC.

Floyd Jeffrey Nesom (BSME)
Inženieru nodaļas vadītājs
Winnenden, Jan. 23, 2018

Pilnvarots sastādīt tehnisko failu:
Alexander Krug, Izpildedzinātājs
Techtronic Industries GmbH
Max-Eyth-Straße 10, 71364 Winnenden, Germany

CE

ET VASTAVUSDEKLARATSIIOON

Techtronic Industries GmbH
Max-Eyth-Straße 10, 71364 Winnenden, Germany

Kinnitame, et see toode

Bensiniimootoriga heklõikur
Mark: RYOBI
Mudeli number: RHT25X55R
Seerianumbri vahemik: 46251701000001-46251701999999

vastab järgmistele Euroopa direktiividele ja harmoniseeritud standarditele
2006/42/EC, 2014/30/EU, 2000/14/EC, 2005/88/EC, 97/68/EC viimati
muudetud 2012/46/EU,
EN ISO 10517:2009 +A1:2013, EN ISO 14982:2009, EN ISO 3744:2010

Mõõdetud helivõimsuse tase: 102.4 dB (A)
Garanteeritud helivõimsuse tase: 105 dB (A)

Vastavushindamine vastavalt lisale V direktiivis 2000/14/EC, mis on muudetud
direktiiviga 2005/88/EC.

Floyd Jeffrey Nesom (BSME)
Tehnika-peatdirektor
Winnenden, Jan. 23, 2018

Tehnilise faili koostamiseks volitatud isik:
Alexander Krug, Tegevdirektor
Techtronic Industries GmbH
Max-Eyth-Straße 10, 71364 Winnenden, Germany

CE

LT ATITIKTIKIES DEKLARACIJA

Techtronic Industries GmbH
Max-Eyth-Straße 10, 71364 Winnenden, Germany

Mes pareiškiame, kad šie produktai

Benzinu varomos gyvatvonių žirkklės
Prekės ženklas: RYOBI
Modelio numeris: RHT25X55R
Serijinio numerio diapazonas: 46251701000001-46251701999999

pagamintas laikantis toliau nurodytųjų Europos Direktyvų ir darniųjų standartų
2006/42/EC, 2014/30/EU, 2000/14/EC, 2005/88/EC, 97/68/EC su
paskutiniiais pakeitimais 2012/46/EU,
EN ISO 10517:2009 +A1:2013, EN ISO 14982:2009, EN ISO 3744:2010

Išmatuotas akustinis lygis: 102.4 dB (A)
Garantuotas akustinis lygis: 105 dB (A)

Atitikimo vertinimo metodas pagal direktyvos 2000/14/EC V priedą, pataisa
2005/88/EC.

Floyd Jeffrey Nesom (BSME)
Vyr. inžinerijos direktorius
Winnenden, Jan. 23, 2018

Igaliotas sudaryti techninį failą:
Alexander Krug, Generalinis Direktorius
Techtronic Industries GmbH
Max-Eyth-Straße 10, 71364 Winnenden, Germany

CE

HR IZJAVA O USKLADENOSTI

Techtronic Industries GmbH
Max-Eyth-Straße 10, 71364 Winnenden, Germany

OVime izjavljujemo da su proizvodi

Benzinski trimmer za živicu
Marka: RYOBI
Broj modela: RHT25X55R
Raspon serijskog broja: 46251701000001-46251701999999

usklađeni sa sljedećim Europskim Direktivama i usklađenim normama
2006/42/EC, 2014/30/EU, 2000/14/EC, 2005/88/EC, 97/68/EC prema
posljednjoj izmjeni 2012/46/EU,
EN ISO 10517:2009 +A1:2013, EN ISO 14982:2009, EN ISO 3744:2010

Izmjerenja razina zvučne snage: 102.4 dB (A)
Jamčena razina zvučne snage: 105 dB (A)

Metoda procjene usklađenosti prema dodatku V Direktivi 2000/14/EC po
2005/88/EC.

Floyd Jeffrey Nesom (BSME)
Viši direktor inženjeringa
Winnenden, Jan. 23, 2018

Ovlašten da sastavi tehničku datoteku:
Alexander Krug, Direktor Upravljanja
Techtronic Industries GmbH
Max-Eyth-Straße 10, 71364 Winnenden, Germany

CE

SL IZJAVA O SKLADNOSTI

Techtronic Industries GmbH
Max-Eyth-Straße 10, 71364 Winnenden, Germany

Izjavljamo, da je izdelek

Benčinski obrezovalnik za žive meje

Znamka: RYOBI

Številka modela: RHT25X55R

Razpon serijskih števil: 46251701000001-46251701999999

v skladu s sledečimi evropskimi direktivami in harmoniziranimi standardi
2006/42/EC, 2014/30/EU, 2000/14/EC, 2005/88/EC, 97/68/EC kot je
nazadnje spremenjeno 2012/46/EU,
EN ISO 10517:2009 +A1:2013, EN ISO 14982:2009, EN ISO 3744:2010

Izmerjena raven zvočne moči: 102,4 dB (A)

Zajamčena raven zvočne moči: 105 dB (A)

Način ugotavljanja skladnosti v skladu s Prilogo V Direktive 2000/14/EC, kot je
bila spremenjena z Direktivo 2005/88/EC.

Floyd Jeffrey Nesom (BSME)
Višji direktor tehničnega oddelka
Winnenden, Jan. 23, 2018

Pooblaščenca oseba za sestavo tehnične dokumentacije:
Alexander Krug, Izvršni Direktor
Techtronic Industries GmbH
Max-Eyth-Straße 10, 71364 Winnenden, Germany

BG ДЕКЛАРАЦИЯ НА ЗА СЪОТВЕТСТВИЕ

Techtronic Industries GmbH
Max-Eyth-Straße 10, 71364 Winnenden, Germany

С настоящето декларираме, че продуктите

Бензинова ножица за жив прелук

Марка: RYOBI

Номер на модела: RHT25X55R

Обхват на серийни номера: 46251701000001-46251701999999

отговаря на следните директиви на ЕС и хармонизирани стандарти
2006/42/EC, 2014/30/EU, 2000/14/EC, 2005/88/EC, 97/68/EC както
последно е изменена 2012/46/EU,
EN ISO 10517:2009 +A1:2013, EN ISO 14982:2009, EN ISO 3744:2010

Измерено ниво на шум: 102,4 dB (A)

Гарантирано ниво на шум: 105 dB (A)

Метод за оценяване на съответствието с приложение V на Директива
2000/14/EC на Съвета изменено с 2005/88/EC.

Floyd Jeffrey Nesom (BSME)
Старши директор „Машиностроене“
Winnenden, Jan. 23, 2018

Упълномощено лице за съставяне на техническия файл:
Alexander Krug, Изпълнителен Директор
Techtronic Industries GmbH
Max-Eyth-Straße 10, 71364 Winnenden, Germany

SK PREHLÁSENIE O ZHODE

Techtronic Industries GmbH
Max-Eyth-Straße 10, 71364 Winnenden, Germany

Týmto vyhlasujeme, že výrobok

Benzinové nožnice na živý plot

Značka: RYOBI

Číslo modelu: RHT25X55R

Rozsah sériových čísiel: 46251701000001-46251701999999

je v súlade s nasledujúcimi Európskymi smernicami a harmonizovanými normami
2006/42/EC, 2014/30/EU, 2000/14/EC, 2005/88/EC, 97/68/EC v znení
poslednej zmeny a doplnenia 2012/46/EU,
EN ISO 10517:2009 +A1:2013, EN ISO 14982:2009, EN ISO 3744:2010

Nameraná úroveň hluku: 102,4 dB (A)

Garantovaná úroveň hluku: 105 dB (A)

Metóda zhodnotenia zhody k Dodatku V Smernice 2000/14/EC novelizovanej
pomocou 2005/88/EC.

Floyd Jeffrey Nesom (BSME)
Vyšší strojnicky riaditeľ
Winnenden, Jan. 23, 2018

Oprávnená osoba na zostavenie technického súboru:
Alexander Krug, Generálny Riaditeľ
Techtronic Industries GmbH
Max-Eyth-Straße 10, 71364 Winnenden, Germany

UK ДЕКЛАРАЦИЯ ПРО ВІДПОВІДНІСТЬ

Techtronic Industries GmbH
Max-Eyth-Straße 10, 71364 Winnenden, Germany

При цьому ми заявляємо, що продукт

Бензиновий куцоріз

Марка: RYOBI

Номер моделі: RHT25X55R

Діапазон серійного номеру: 46251701000001-46251701999999

у відповідності з наступними європейськими директивами та
гармонізованими стандартами
2006/42/EC, 2014/30/EU, 2000/14/EC, 2005/88/EC, 97/68/EC в останній
редакції 2012/46/EU,
EN ISO 10517:2009 +A1:2013, EN ISO 14982:2009, EN ISO 3744:2010

Вимірний рівень звукової потужності: 102,4 dB (A)

Гарантований рівень звукової потужності: 105 dB (A)

Метод оцінки відповідності Annex V Directive 2000/14/EC з поправками,
внесеними 2005/88/EC.

Floyd Jeffrey Nesom (BSME)
Старший технічний директор
Winnenden, Jan. 23, 2018

Дозвіл на складання технічного файла:
Alexander Krug, Керуючий директор
Techtronic Industries GmbH
Max-Eyth-Straße 10, 71364 Winnenden, Germany

TR UYGUNLUK BEYANI

Techtronic Industries GmbH
Max-Eyth-StraÙe 10, 71364 Winnenden, Germany

İř bu belge ile bu ürünün

Benzinli çit budama makinesi

Marka: RYOBI

Model numarası: RHT25X55R

Seri numarası aralıđı: 46251701000001-46251701999999

ařađıdaki Avrupa Direktiflerine ve uyulařtırılmıř standartlara uygun olduđunu beyan ediyorum

2006/42/EC, 2014/30/EU, 2000/14/EC, 2005/88/EC, 97/68/EC son

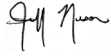
deđiřtirildiđihaliyle 2012/46/EU,

EN ISO 10517:2009 +A1:2013, EN ISO 14982:2009, EN ISO 3744:2010

Ölçülen ses gücü seviyesi: 102.4 dB (A)

Güvenceli ses gücü seviyesi: 105 dB (A)

2005/88/AT ile deđiřtirilen 2000/14/AT Direktifi Ek V uyarınca uygunluk deđerlendirmesi yöntemi.



CE

Floyd Jeffrey Nesom (BSME)
Kıdemli Mühendislik Yöneticisi
Winnenden, Jan. 23, 2018

Teknik dosyayı derlemekle yetkili sorumlu:
Alexander Krug, İdari Müdür
Techtronic Industries GmbH
Max-Eyth-StraÙe 10, 71364 Winnenden, Germany







Techtronic Industries GmbH
Max-Eyth-Straße 10,
71364 Winnenden, Germany

960639039-02