

# RYOBI®

## R18MS216

ORIGINAL INSTRUCTIONS  
TRADUCTION DES INSTRUCTIONS ORIGINALES  
ÜBERSETZUNG DER ORIGINALANLEITUNG  
TRADUCCIÓN DE LAS INSTRUCCIONES ORIGINALES  
TRADUZIONE DELLE ISTRUZIONI ORIGINALI  
VERTALING VAN DE ORIGINELE INSTRUCTIES  
TRADUÇÃO DAS INSTRUÇÕES ORIGINAIS  
OVERSÆTTELSE AF DE ORIGINELE INSTRUKTIONER  
ÖVERSÄTTNING AV DE URSPRUNGLIGA INSTRUKTIONERNA  
ALKUPERÄISTEN OHJEIDEN SUOMENNO  
OVERSETTELSE AV DE ORIGINELE INSTRUKSJONENE  
ПЕРЕВОД ОРИГИНАЛЬНЫХ ИНСТРУКЦИЙ  
TŁUMACZENIE INSTRUKCJI ORYGINALNEJ  
PŘEKLAD ORIGINÁLNÍCH POKYNŮ  
AZ EREDETI ÚTMUTATÓ FORDÍTÁSA  
TRADUCEREA INSTRUCȚIUNILOR ORIGIALE  
TULKOTS NO ORIĢINĀLĀS INSTRUKCIJAS  
ORIGINALIŲ INSTRUKCIJŲ VERTIMAS  
ORIGINAALJUHENDI TÕLGE  
PRIJEVOD ORIGINALNIH UPUTA  
PREVOD ORIGINALNIH NAVODIL  
PREKLAD ORIGINÁLNYCH POKYNOV  
ПРЕВОД ОТ ОРИГИНАЛНИТЕ ИНСТРУКЦИИ  
ПЕРЕКЛАД ОРИГІНАЛЬНИХ ІНСТРУКЦІЙ  
ORIJ NAL TALIMATLARIN TERCÜMESİ  
ΜΕΤΑΦΡΑΣΗ ΤΩΝ ΠΡΩΤΟΤΥΠΩΝ ΟΔΗΓΙΩΝ



EN  
FR  
DE  
ES  
IT  
NL  
PT  
DA  
SV  
FI  
NO  
RU  
PL  
CS  
HU  
RO  
LV  
LT  
ET  
HR  
SL  
SK  
BG  
UK  
TR  
EL





|                               |  |
|-------------------------------|--|
| <b>Important!</b>             | It is essential that you read the instructions in this manual before assembling, maintaining and operating the product.  |
| <b>Attention!</b>             | Il est essentiel que vous lisiez les instructions contenues dans ce manuel avant d'assembler, d'entretenir et d'utiliser le produit.   |
| <b>Achtung!</b>               | Es ist wichtig, dass Sie vor Zusammenbau, Wartung und Benutzung des Produktes die Anweisungen in dieser Anleitung lesen.   |
| <b>¡Atención!</b>             | Resulta fundamental que lea este manual de instrucciones antes de realizar el montaje, el mantenimiento y de utilizar este producto  |
| <b>Attenzione!</b>            | E' importante leggere le istruzioni contenute nel presente manuale prima di montare il prodotto, svolgere le operazioni di manutenzione sullo stesso e metterlo in funzione. |
| <b>Let op!</b>                | Het is van essentieel belang dat u de instructies in deze gebruiksaanwijzing leest voor u het product monteert, onderhoudt en gebruikt.                                      |
| <b>Atenção!</b>               | É fundamental que leia as instruções deste manual antes da montagem, manutenção e operação do aparelho.  |
| <b>OBS!</b>                   | Det er vigtigt, at man læser instrukserne i denne brugsanvisning, inden man samler, vedligeholder og betjener produktet.   |
| <b>Observera!</b>             | Det är viktigt att du läser instruktionerna i manualen före montering, användning och underhåll av produkten.  |
| <b>Huomio!</b>                | On tärkeää, että luet tämän käsikirjan ohjeet ennen tuotteen kokoamista, huoltoa ja käyttöä.   |
| <b>Advarsel!</b>              | Det er vigtigt at du leser instruksjonene i denne manualen før sammensetning, vedlikehold og bruk av produktet   |
| <b>Внимание!</b>              | Необходимо прочитать инструкции в данном руководстве перед сборкой, обслуживанием и эксплуатацией этого изделия.   |
| <b>Uwaga!</b>                 | Koniecznle należy przeczytać instrukcje zawarte w tym podręczniku przed montażem, obsługą oraz konserwacją produktu.   |
| <b>Důležitost upozornění!</b> | Neinstalujte, neprovádějte údržbu ani nepoužívejte tento výrobek dřive, než si přečtete pokyny uvedené v tomto návodu.   |
| <b>Figyelem!</b>              | Fontos, hogy a termék összeszerelése, karbantartása és használatá előtt elolvassa a kézikönyvben található utasításokat.   |
| <b>Atenție!</b>               | Este esențial să citiți instrucțiunile din acest manual înainte de asamblare, efectuarea întreinerii și operarea produsului.   |
| <b>Uzmanību!</b>              | Ir svarīgi izlasīt šīs rokasgrāmatas instrukcijas pirms uzstādīšanas, apkopes un precas darbināšanas.  |
| <b>Dėmesio!</b>               | Prieš surenkant, prižiūrint ir naudojant gaminį, būtina perskaityti šiam vadove pateiktus nurodymus.   |
| <b>Tähtis!</b>                | Enne masina kokkupanekut, hooldamist ja kasutama hakkamist tuleb käesolevas juhendis esitatud juhised kindlasti läbi lugeda.   |
| <b>Upozorenje!</b>            | Vrlo je važno da ste prije sklapanja, održavanja i rada s ovim proizvodom pročitali upute u ovom priručniku.   |
| <b>Pomembno!</b>              | Pomembno je da pred montažo vzdrževanjem in uporabo tega izdelka preberete navodila v tem priručniku.  |
| <b>Upzornenie!</b>            | Je dôležité, aby ste si pred montážou, údržbou a obsluhou produktu prečítali pokyny v tomto návode.  |
| <b>Важно!</b>                 | Исключительно важно е да прочетете инструкциите в настоящото ръководство, преди да преминете към сглобяване, поддръжка или работа с продукта.                                |
| <b>Важливо!</b>               | Дуже важливо, щоб ви прочитали інструкції в цьому керівництві перед складанням, обслуговуванням та експлуатацією цієї машини.  |
| <b>Dikkat!</b>                | Ürünün montajını, bakımını yapmadan ve ürünün çalıştırmadan önce bu kılavuzda yer alan talimatları okumanız önemlidir.   |
| <b>Προσοχή!</b>               | Είναι πολύ σημαντικό να διαβάσετε τις οδηγίες στο παρόν εγχειρίδιο πριν συναρμολογήσετε, συντηρήσετε ή λειτουργήσετε το προϊόν.  |

Subject to technical modification | Sous réserve de modifications techniques | Technische Änderungen vorbehalten | Bajo reserva de modificaciones técnicas | Con riserva di eventuali modifiche tecniche | Technische wijzigingen voorbehouden | Com reserva de modificações técnicas | Med forbehold for tekniske ændringer | Med förbehåll för tekniska ändringar | Tekniset muutokset varataan | Med forbehold om tekniske endringer | могут быть внесены технические изменения | Z zastrzeżeniem modyfikacji technicznych | Změny technických údajů vyhrazeny | A műszaki módosítás jogát fenntartjuk | Sub rezerva modifiцаiilor tehnice | Paturam tiesības mainīt tehnisko raksturlielumus | Pasiilikant teise daryti techninius pakeitimus | Tehnilised muudatused võimalikud | Podložno tehničkim promjenama | Tehnične spremembe dopuščene | Právo na technické zmeny je vyhradené | Подлежи на технически модификации | Є об'єктом для технічних змін | Teknik değişiklik hakkı saklıdır | Υπό την επιφύλαξη τεχνικών τροποποιήσεων





Safety, performance, and dependability have been given top priority in the design of your mitre saw.

### INTENDED USE

The mitre saw is intended for sawing solid and bonded wood, materials similar to wood, with or without glued veneer and plastics.

The mitre saw is intended to be used only by adult operators who have read the instruction manual and understand the risks and hazards.

The mitre saw is designed to be fixed at the base to a solid bench top. If the base is not securely fixed, the whole machine may move during cutting operations, which increases the possibility of serious personal injury.

The mitre saw is designed to make bevel and mitre cuts. The capacities for the various cuts are provided in the sliding compact mitre saw product specifications in this manual.

The mitre saw is to be used in dry conditions, with excellent ambient lighting and adequate ventilation.

The mitre saw is intended for consumer use and should only be used as described above and is not intended for any other purpose.

### GENERAL POWER TOOL SAFETY WARNINGS

#### WARNING

**Read all safety warnings, instructions, illustrations and specifications provided with this power tool.** Failure to follow all instructions listed below may result in electric shock, fire and/or serious injury.

#### Save all warnings and instructions for future reference.

The term "power tool" in the warnings refers to your mains-operated (corded) power tool or battery-operated (cordless) power tool.

#### WORK AREA SAFETY

- **Keep work area clean and well lit.** Cluttered or dark areas invite accidents.
- **Do not operate power tools in explosive atmospheres, such as in the presence of flammable liquids, gases or dust.** Power tools create sparks which may ignite the dust or fumes.
- **Keep children and bystanders away while operating a power tool.** Distractions can cause you to lose control.

#### ELECTRICAL SAFETY

- **Power tool plugs must match the outlet. Never modify the plug in any way. Do not use any adapter plugs with earthed (grounded) power tools.** Unmodified plugs and matching outlets will reduce risk of electric shock.
- **Avoid body contact with earthed or grounded surfaces, such as pipes, radiators, ranges and refrigerators.** There is an increased risk of electric shock if your body is earthed or grounded.
- **Do not expose power tools to rain or wet conditions.**

Water entering a power tool will increase the risk of electric shock.

- **Do not abuse the cord. Never use the cord for carrying, pulling or unplugging the power tool. Keep cord away from heat, oil, sharp edges or moving parts.** Damaged or entangled cords increase the risk of electric shock.
- **When operating a power tool outdoors, use an extension cord suitable for outdoor use.** Use of a cord suitable for outdoor use reduces the risk of electric shock.
- **If operating a power tool in a damp location is unavoidable, use a residual current device (RCD) protected supply.** Use of an RCD reduces the risk of electric shock.

#### PERSONAL SAFETY

- **Stay alert, watch what you are doing and use common sense when operating a power tool. Do not use a power tool while you are tired or under the influence of drugs, alcohol or medication.** A moment of inattention while operating power tools may result in serious personal injury.
- **Use personal protective equipment. Always wear eye protection.** Protective equipment such as a dust mask, non-skid safety shoes, hard hat, or hearing protection used for appropriate conditions will reduce personal injuries.
- **Prevent unintentional starting. Ensure the switch is in the off -position before connecting to power source and/or battery pack, picking up or carrying the tool.** Carrying power tools with your finger on the switch or energising power tools that have the switch on invites accidents.
- **Remove any adjusting key or wrench before turning the power tool on.** A wrench or a key left attached to a rotating part of the power tool may result in personal injury.
- **Do not overreach. Keep proper footing and balance at all times.** This enables better control of the power tool in unexpected situations.
- **Dress properly. Do not wear loose clothing or jewellery. Keep your hair and clothing away from moving parts.** Loose clothes, jewellery or long hair can be caught in moving parts.
- **If devices are provided for the connection of dust extraction and collection facilities, ensure these are connected and properly used.** Use of dust collection can reduce dust-related hazards.
- **Do not let familiarity gained from frequent use of tools allow you to become complacent and ignore tool safety principles.** A careless action can cause severe injury within a fraction of a second.

#### POWER TOOL USE AND CARE

- **Do not force the power tool. Use the correct power tool for your application.** The correct power tool will do the job better and safer at the rate for which it was designed.
- **Do not use the power tool if the switch does not turn**

|    |
|----|
| EN |
| FR |
| DE |
| ES |
| IT |
| NL |
| PT |
| DA |
| SV |
| FI |
| NO |
| RU |
| PL |
| CS |
| HU |
| RO |
| LV |
| LT |
| ET |
| HR |
| SL |
| SK |
| BG |
| UK |
| TR |
| EL |





it on and off. Any power tool that cannot be controlled with the switch is dangerous and must be repaired.

- **Disconnect the plug from the power source and/or remove the battery pack, if detachable, from the power tool before making any adjustments, changing accessories, or storing power tools.** Such preventive safety measures reduce the risk of starting the power tool accidentally.
- **Store idle power tools out of the reach of children and do not allow persons unfamiliar with the power tool or these instructions to operate the power tool.** Power tools are dangerous in the hands of untrained users.
- **Maintain power tools and accessories. Check for misalignment or binding of moving parts, breakage of parts and any other condition that may affect the power tool's operation. If damaged, have the power tool repaired before use.** Many accidents are caused by poorly maintained power tools.
- **Keep cutting tools sharp and clean.** Properly maintained cutting tools with sharp cutting edges are less likely to bind and are easier to control.
- **Use the power tool, accessories and tool bits etc. in accordance with these instructions, taking into account the working conditions and the work to be performed.** Use of the power tool for operations different from those intended could result in a hazardous situation.
- **Keep handles and grasping surfaces dry, clean and free from oil and grease.** Slippery handles and grasping surfaces do not allow for safe handling and control of the tool in unexpected situations.

#### BATTERY TOOL USE AND CARE

- **Recharge only with the charger specified by the manufacturer.** A charger that is suitable for one type of battery pack may create a risk of fire when used with another battery pack.
- **Use power tools only with specifically designated battery packs.** Use of any other battery packs may create a risk of injury and fire.
- **When battery pack is not in use, keep it away from other metal objects, like paper clips, coins, keys, nails, screws or other small metal objects, that can make a connection from one terminal to another.** Shorting the battery terminals together may cause burns or a fire.
- **Under abusive conditions, liquid may be ejected from the battery; avoid contact. If contact accidentally occurs, flush with water. If liquid contacts eyes, additionally seek medical help.** Liquid ejected from the battery may cause irritation or burns.
- **Do not use a battery pack or tool that is damaged or modified.** Damaged or modified batteries may exhibit unpredictable behaviour resulting in fire, explosion or risk of injury.
- **Do not expose a battery pack or tool to fire or excessive temperature.** Exposure to fire or temperature above 130°C may cause explosion.

- **Follow all charging instructions and do not charge the battery pack or tool outside the temperature range specified in the instructions.** Charging improperly or at temperatures outside the specified range may damage the battery and increase the risk of fire.

#### SERVICE

- **Have your power tool serviced by a qualified repair person using only identical replacement parts.** This will ensure that the safety of the power tool is maintained.
- **Never service damaged battery packs.** Service of battery packs should only be performed by the manufacturer or authorized service providers.

#### SAFETY INSTRUCTIONS FOR MITRE SAWS

- **Mitre saws are intended to cut wood or wood-like products, they cannot be used with abrasive cut-off wheels for cutting ferrous material such as bars, rods, studs, etc.** Abrasive dust causes moving parts such as the lower guard to jam. Sparks from abrasive cutting will burn the lower guard, the kerf insert and other plastic parts.
- **Use clamps to support the workpiece whenever possible. If supporting the workpiece by hand, you must always keep your hand at least 100 mm from either side of the saw blade. Do not use this saw to cut pieces that are too small to be securely clamped or held by hand.** If your hand is placed too close to the saw blade, there is an increased risk of injury from blade contact.
- **The workpiece must be stationary and clamped or held against both the fence and the table. Do not feed the workpiece into the blade or cut "freehand" in any way.** Unrestrained or moving workpieces could be thrown at high speeds, causing injury.
- **Push the saw through the workpiece. Do not pull the saw through the workpiece. To make a cut, raise the saw head and pull it out over the workpiece without cutting, start the motor, press the saw head down and push the saw through the workpiece.** Cutting on the pull stroke is likely to cause the saw blade to climb on top of the workpiece and violently throw the blade assembly towards the operator.
- **Never cross your hand over the intended line of cutting either in front or behind the saw blade.** Supporting the workpiece "cross handed" i.e. holding the workpiece to the right of the saw blade with your left hand or vice versa is very dangerous.
- **Do not reach behind the fence with either hand closer than 100 mm from either side of the saw blade, to remove wood scraps, or for any other reason while the blade is spinning.** The proximity of the spinning saw blade to your hand may not be obvious and you may be seriously injured.
- **Inspect your workpiece before cutting. If the workpiece is bowed or warped, clamp it with the outside bowed face toward the fence. Always make certain that there is no gap between the workpiece, fence and table along the line of the cut. Bent or**





warped workpieces can twist or shift and may cause binding on the spinning saw blade while cutting. There should be no nails or foreign objects in the workpiece.

- **Do not use the saw until the table is clear of all tools, wood scraps, etc., except for the workpiece.** Small debris or loose pieces of wood or other objects that contact the revolving blade can be thrown with high speed.
- **Cut only one workpiece at a time.** Stacked multiple workpieces cannot be adequately clamped or braced and may bind on the blade or shift during cutting.
- **Ensure the mitre saw is mounted or placed on a level, firm work surface before use.** A level and firm work surface reduces the risk of the mitre saw becoming unstable.
- **Plan your work. Every time you change the bevel or mitre angle setting, make sure the adjustable fence is set correctly to support the workpiece and will not interfere with the blade or the guarding system.** Without turning the tool "ON" and with no workpiece on the table, move the saw blade through a complete simulated cut to assure there will be no interference or danger of cutting the fence.
- **Provide adequate support such as table extensions, saw horses, etc. for a workpiece that is wider or longer than the table top.** Workpieces longer or wider than the mitre saw table can tip if not securely supported. If the cut-off piece or workpiece tips, it can lift the lower guard or be thrown by the spinning blade.
- **Do not use another person as a substitute for a table extension or as additional support.** Unstable support for the workpiece can cause the blade to bind or the workpiece to shift during the cutting operation pulling you and the helper into the spinning blade.
- **The cut-off piece must not be jammed or pressed by any means against the spinning saw blade.** If confined, i.e. using length stops, the cut-off piece could get wedged against the blade and thrown violently.
- **Always use a clamp or a fixture designed to properly support round material such as rods or tubing.** Rods have a tendency to roll while being cut, causing the blade to "bite" and pull the work with your hand into the blade.
- **Let the blade reach full speed before contacting the workpiece.** This will reduce the risk of the workpiece being thrown.
- **If the workpiece or blade becomes jammed, turn the mitre saw off. Wait for all moving parts to stop and disconnect the plug from the power source and/or remove the battery pack. Then work to free the jammed material.** Continued sawing with a jammed workpiece could cause loss of control or damage to the mitre saw.
- **After finishing the cut, release the switch, hold the saw head down and wait for the blade to stop before removing the cut-off piece.** Reaching with your hand near the coasting blade is dangerous.

## SAFETY INSTRUCTIONS FOR WOOD CUTTING BLADE

- Please read the manual and instructions carefully before using the saw blade and the machine.
- The product must be in good condition, the spindle without deformation and vibration.
- Do not use the product without the guards in position. Keep guards in good working order and properly maintained.
- Ensure the operator is adequately trained in safety precautions, adjustment and operation of the product.
- Always wear goggles and ear protection when using the product. It is recommended to wear gloves, sturdy non slipping shoes and apron.
- Before using any accessory, consult the instruction manual. The improper use of an accessory can cause damage and increase the potential for injury.
- Use only blades specified in this manual, complying with EN 847-1.
- Observe the maximum speed marked on the saw blade. Ensure the speed marked on the saw blade is at least equal to the speed marked on the saw.
- Always use blades with correct size and shape of arbour holes. Blades that do not match the mounting hardware of the saw will run eccentrically, causing loss of control.
- Do not use blades of larger or smaller diameter than recommended. Do not use any spacers to make the blade fit onto the spindle.
- Check the tips of the saw blade for damage or abnormal appearance before each use. Tips that are damaged or loose can become flying objects in use and increase the chance of personal injury.
- Do not use cracked or distorted saw blades. Do not use saw blades that are damaged or deformed.
- Scrap the saw blade if damaged, deformed, distorted or cracked, repairing is not permitted.
- Do not use HSS blades.
- Ensure the saw blade is mounted correctly, tighten the arbor nut securely before use (tightening torque approx. 12-15 Nm).
- Fastening screw and nuts shall be tightened using the appropriate spanner, etc.
- Extension of the spanner or tightening using hammer blows is not permitted.
- Make sure the blade and flanges are clean and the recessed sides of the collar are against the blade.
- Make sure the blade rotates in the correct direction.
- Before work, make a dummy cut without the motor turned on so the position of the blade, operation of the guards with respect to other machine parts and workpiece may be checked.
- Never leave the product unattended.
- Do not apply lubricants on the blade when it is running.
- Never perform any cleaning or maintenance work when the machine is still running and the head is not in the rest position.

|    |
|----|
| EN |
| FR |
| DE |
| ES |
| IT |
| NL |
| PT |
| DA |
| SV |
| FI |
| NO |
| RU |
| PL |
| CS |
| RO |
| HU |
| LV |
| LT |
| ET |
| HR |
| SL |
| SK |
| BG |
| UK |
| TR |
| EL |



- Never attempt to stop a machine in motion rapidly by jamming a tool or other means against the blade, serious accidents can be caused unintentionally in this way.
- Disconnect the product from the mains supply or remove battery pack before changing blades or carrying out maintenance.
- Pay attention to blade packing and unpacking, it is easy to be injured by the sharp blade tips.
- Use a blade holder or wear gloves when handling a saw blade.
- Keep and store the blade in original packaging or other suitable packaging, keep in dry conditions and away from chemicals which may damage the blade.

### ADDITIONAL SAFETY WARNINGS

- Always clamp the workpiece safely and securely.
- Ensure that the product is always stable and secure (e.g., fixed to a bench).
- Always wear ear protectors. Exposure to noise can cause hearing loss.
- Always wear safety goggles when using the product. It is recommended to wear gloves for handling blades and rough material, plus sturdy non slip shoes to protect the feet from workpieces which may fall from the cutting area.
- Disconnect the product from the mains supply or remove battery pack before carrying out any maintenance or cleaning the product.
- Only install the battery pack when the product is switched off.
- Never reach into the area near the blade unless the blade has completely stopped.
- Before use, thoroughly check the product and battery pack for any damage or material fatigue. Repairs to the whole product should only be carried out by an authorised service centre.
- Always use the guards on the product. Do not use the product if the guards are not in place and working correctly.
- The lower blade guard should only open when the blade is lowered to the workpiece and must always be able to move freely and close automatically.
- Always fix and use extension bars for workpiece support during operation.
- Never alter or modify the product or its function. Your safety may be compromised.
- Do not use saw blades which are cracked, damaged or deformed.
- Do not use saw blades made of high-speed steel.
- Only use blades that are sharp. Replace dull blades.
- Always use blades with correct size and shape of arbour holes. Blades that do not match the mounting hardware of the saw will run eccentrically, causing loss of control.
- Use only woodworking blades specified in this manual, which comply with EN 847-1.
- Do not use any flanges, washers and nuts to secure the

saw blade other than those supplied or indicated in the instruction manual.

- It is necessary to select a saw blade which is suitable for the material being cut. Never use the product to cut materials other than those specified in the intended use section in this manual.
- It is important to avoid overheating the blade and melting the plastic when cutting.
- It is essential to adhere to the maximum speed specified on the saw blade, only use saw blade that are marked with a speed equal or higher than the speed marked on the tool.
- Replace the table insert when worn or damaged.
- Before work, make a dummy cut without the motor turned on so the position of the blade, operation of the guards with respect to other machine parts, and workpiece may be checked.
- When performing mitre, bevel or compound mitre cuts, adjust the sliding fence or sub-fence to ensure the correct clearance from the blade.
- The handle lock must always be engaged when transporting the product.
- Keep the floor area free of loose materials, such as chips and cut-offs.
- Refrain from removing any cut-offs or other parts of the workpiece from the cutting area whilst the product is running and the saw head is not in the rest position.
- Long workpieces must be adequately supported. The working area of the saw includes the whole extent of the workpiece. The operator should secure this area from accidental contact from other persons or objects which may move the workpiece during operation.
- The dust produced when using the product may be harmful to health. Use a dust suction system and wear a suitable dust protection mask. Remove deposited dust thoroughly with a vacuum cleaner.
- Do not replace the laser with a different type. Any repairs must only be carried out by the manufacturer or authorised service agent.
- Ambient temperature range for tool during operation is between 0 °C and 40° C.
- Ambient temperature range for tool storage is between 0 °C and 40° C.
- The recommended ambient temperature range for the charging system during charging is between 10 °C and 38° C.

### TRANSPORTING LITHIUM BATTERIES

Transport the battery in accordance with local and national provisions and regulations.

Follow all special requirements on packaging and labelling when transporting batteries by a third party. Ensure that no batteries can come in contact with other batteries or conductive materials while in transport by protecting exposed connectors with insulating, non-conductive caps or tape. Do not transport batteries that are cracked or leaking. Check with the forwarding company for further advice.

## ADDITIONAL BATTERY SAFETY WARNINGS

### ⚠ WARNING

To reduce the risk of fire, personal injury, and product damage due to a short circuit, never immerse your tool, battery pack or charger in fluid or allow a fluid to flow inside them. Corrosive or conductive fluids, such as seawater, certain industrial chemicals, and bleach or bleach-containing products, etc., can cause a short circuit.

- Ambient temperature range for battery during use is between 0 °C and 40° C.
- Ambient temperature range for battery storage is between 0 °C and 20° C.

## LASER SAFETY RULES

- The laser radiation used in this saw is Class 2 with maximum  $\leq 1\text{mW}$  and 650nm wavelengths. Do not stare into the laser beam. Failure to comply with the rules could result in serious personal injury.
- Do not stare into beam during operation.
- Do not project the laser beam directly into the eyes of others. Serious eye injury could result.
- Do not place the laser in a position that may cause anyone to stare into the laser beam intentionally or unintentionally.
- Do not use optical tools to view the laser beam.
- Do not operate the laser around children or allow children to operate the laser.
- Do not attempt to repair the laser device by yourself.
- Do not attempt to change any parts of the laser device by yourself.
- Any repairs must only be carried out by the laser manufacturer or authorized service agent.
- Do not replace the laser with a different type.

## RESIDUAL RISKS

Even when the product is used as prescribed, it is still impossible to completely eliminate certain residual risk factors. The following hazards may arise and the operator should pay special attention to avoid the following:

- Risk of contact with uncovered parts of the rotating saw blade
- Kick-back of workpieces or parts of workpieces due to improper adjustment or handling
- Catapulting of faulty carbide tips from the saw blade
- Damage to the respiratory system  
**NOTE:** Wear respiratory protection masks containing filters appropriate to the materials being worked. Ensure adequate workplace ventilation. Do not eat, drink or smoke in the work area.
- Damage to hearing if effective hearing protection is not worn.

### ⚠ WARNING

Dust from certain paints, coatings and materials may cause irritation or allergic reactions to the respiratory system. Dust from wood such as oak, beech, MDF and others are carcinogenic. Material containing asbestos should only ever be worked or processed by qualified specialist operators.

### ⚠ WARNING

Injuries may be caused, or aggravated, by prolonged use of a tool. When using any tool for prolonged periods, ensure you take regular breaks.

## KNOW YOUR PRODUCT

See page 215.

1. Handle, insulated gripping surface
2. Power switch
3. Safety lock handle
4. Upper guard
5. Saw blade
6. Lower guard
7. Main fence
8. Turntable
9. Base
10. Table insert
11. Turntable lock handle
12. Balancing foot
13. Anti-tip bar
14. Laser switch
15. Top handle, insulated gripping surface
16. Flange
17. Bracket stop
18. Bevel angle lock lever
19. Clamp
20. Sliding fence
21. Mounting hole
22. Extension bar
23. Screws for locking main fence
24. Spindle lock button
25. Battery pack
26. Dust bag
27. Cutting depth adjustment knob
28. Maximum cutting depth stop
29. Linear rod stop knob
30. Screws for adjusting the bevel angle limit stop
31. Hex key

## OPERATION

The product features a moving saw blade that can be set at various angles by the operator when cutting a workpiece which is securely fixed to the base of the product. It must be operated by only one person to prevent unintentional contact with the moving saw blade.

The principles for safe operation of the product are as follows:

- Maintain saw, blades and work area in good condition.
- Secure the mitre saw base to a sturdy work bench.

The product may move and tip if it is not adequately secured.

- Set up and lock the cutting angles and depth before making the cut.
- Secure the workpiece to the mitre saw base. Use the clamp provided and, where necessary, use additional clamps or holding mechanisms to prevent unintentional movement of the workpiece while cutting.
  - Check that the operation of the blade guards are not restricted by the position of the workpiece.
  - Ensure that the fence and other parts of the product will not be cut as the blade lowers to the cutting position.
- Start the motor and allow the blade to reach full speed before slowly lowering it to cut the workpiece. Slide the blade assembly backwards to complete the cut as necessary.
- Allow the blade assembly to rise to its upper position where the blade guards are fully closed. Switch off the motor and allow the blade to come to a complete stop before removing the workpiece or off-cuts, or before reaching into the area of the blade.

Before first use, ensure that the angle of the bevel or mitre set on the product matches the angle to be produced on the workpiece. Check this on a discarded piece of wood by using a carpenter's set or mitre square.

#### WARNING

The manufacturer strongly recommends that the product is always securely mounted to a bench top.

When the base of the product is firmly secured to a bench top by four nuts, bolts and washers as instructed, the product can be used at maximum bevel and mitre setting without the possibility of it tipping over. If the product is not secured properly, the product may over balance when large bevel angles are selected.

At the front of the mitre saw base there is an extending bar which should be pulled out to its furthest extent. This will help prevent the mitre saw from over balancing.

There is also an adjustable screw (balancing foot) that extends from the bottom of the extension turntable. This screw should be adjusted so that it touches the flat surface that the product is resting upon. This will also prevent the product from over balancing when cutting at the full extent of the slide and bevel. Beware, this part of the saw table moves when different mitre angles are selected, so the screw needs to be frequently adjusted and reset.

#### MAINTENANCE

- Do not modify the product in any way or use accessories not approved by the manufacturer. Your safety and that of others may be compromised.
- Do not use the product if any switches, guards or other functions does not work as intended. Return to an authorised service centre for professional repair or adjustment.
- Do not make any adjustments whilst the saw blade is in motion.

- Always make sure the battery pack has been removed from the product before making adjustments, lubricating or when doing any maintenance on the product.
- Before and after each use, check the product for damage or broken parts. Keep the product in top working condition by immediately replacing parts with spares approved by the manufacturer.
- The blade has sharp edges and may also remain hot after cutting operations. Exercise extreme caution when cleaning an exposed blade. Wear gloves to protect yourself from personal injury.
- Clean the saw and its accessories from dust regularly, especially moving parts including the blade guard. Use a hand brush or vacuum cleaner to remove dust effectively. Do not use compressed air.
- To assure safety and reliability, all repairs, including changing brushes, should be performed by an authorised service centre.

#### WARNING

Do not attempt to disassemble the blade guard assembly for cleaning or repair. Damaged guards should not be used. Return to an authorised service centre for repair or replacement.

#### WARNING

For greater safety and reliability, all repairs should be performed by an authorised service centre.

#### Mitre and bevel angle calibration

If mitre and bevel angle calibration are needed, see pages 236 – 242 and follow the calibration instructions.

#### Maximum cutting depth stop

The maximum cutting depth stop is to prevent the saw blade from cutting into the metal base of the unit.

#### WARNING

The maximum cutting depth stop is not user adjustable. Do not adjust the maximum cutting depth stop.

#### TRANSPORTATION AND STORAGE

- When storing the product, remove the battery pack. Store the product in a secure place that is not accessible to children.
- Clean the product using a brush and vacuum cleaner before storage.
- If you remove the saw blade or keep spares with the unit, ensure they are in the original packaging to prevent injury.

#### To secure the product prior to movement:

- The product should be stored at the zero degree mitre and bevel angle and locked in position. The slide should be locked. The handle should be locked in the lower (safe) position with the guards closed.



- One or both sides of the extension bars can be removed for ease of carrying.

**To move or transport in a vehicle:**

- Secure the product prior to movement as described in the manual.
- Remove the product from the bench top by releasing the 4 bolts, one at each corner. Secure the bolts for future use. Lifting the product using the handle at the top.
- When lifting to a height, two persons wearing heavy gloves are needed to lift the base of the product.
- When transporting in a vehicle, set the product on its base and secure against movement.

**ENVIRONMENTAL PROTECTION**



Recycle raw materials instead of disposing of as waste. The machine, accessories and packaging should be sorted for environmental-friendly recycling.

**SYMBOLS ON THE PRODUCT**



Safety alert



CE conformity



Please read the instructions carefully before starting the machine.



Wear ear protection



Always wear eye protection.



Keep hands away from the cutting area and sharp blade.



Do not expose to rain or use in damp locations.



Wear safety gloves



Blade rotation direction (shown on saw blade)



Blade rotation direction (shown on blade guard)



Blade width of cut (Kerf)



Number of teeth on this saw blade



Cutting capacity



For cutting wood and analogous material



Not for cutting metals



Laser radiation.  
Do not stare into beam.  
Class 2 laser product



Waste electrical products should not be disposed of with household waste. Please recycle where facilities exist. Check with your Local Authority or retailer for recycling advice.

**SYMBOLS IN THIS MANUAL**



Lock



Unlock



Locking mechanism is not working



Parts or accessories sold separately



Note



Warning

The following signal words and meanings are intended to explain the levels of risk associated with this product:

**⚠ DANGER**

Indicates an imminently hazardous situation, which, if not avoided, will result in death or serious injury.

**⚠ WARNING**

Indicates a potentially hazardous situation, which, if not avoided, could result in death or serious injury.

**⚠ CAUTION**

Indicates a potentially hazardous situation, which, if not avoided, may result in minor or moderate injury.

**CAUTION**

(Without Safety Alert Symbol) Indicates a situation that may result in property damage.



Votre scie à onglet a été conçue en donnant priorité à la sécurité, à la performance et à la fiabilité.

### UTILISATION PRÉVUE

La scie à onglet mixte est conçue pour scier du bois massif ou aggloméré, des matériaux similaires au bois, avec ou sans placage collé et plastiques.

L'outil est conçu pour être utilisé par des adultes qui ont lu le mode d'emploi et comprennent les risques et dangers.

Le produit est conçu pour être fixé à la base sur un plan de travail solide. Si la base n'est pas bien fixée, l'ensemble de la machine est susceptible de bouger en cours de coupe, ce qui augmente les risques de blessures graves.

Le produit est conçu pour réaliser des coupes en biseau et d'onglet. Les capacités pour les différentes coupes sont fournies dans les spécifications du produit de ce manuel.

Le produit doit être utilisé au sec, avec un excellent éclairage ambiant et une ventilation adéquate.

Ce produit est destiné à une utilisation par des particuliers et ne doit être utilisé que comme décrit ci-dessus, à l'exclusion de toute autre utilisation.

### AVERTISSEMENTS DE SÉCURITÉ GÉNÉRAUX POUR L'OUTIL ÉLECTRIQUE

#### AVERTISSEMENT

**Lire tous les avertissements de sécurité, les instructions, les illustrations et les spécifications fournis avec cet outil électrique.** Ne pas suivre les instructions énumérées ci-dessous peut provoquer un choc électrique, un incendie et/ou une blessure sérieuse.

**Conserver tous les avertissements et toutes les instructions pour pouvoir s'y reporter ultérieurement.** Le terme «outil électrique» dans les avertissements fait référence à votre outil électrique alimenté par le secteur (avec cordon d'alimentation) ou votre outil électrique fonctionnant sur batterie (sans cordon d'alimentation).

### SÉCURITÉ DE LA ZONE DE TRAVAIL

- **Conserver la zone de travail propre et bien éclairée.** Les zones en désordre ou sombres sont propices aux accidents.
- **Ne pas faire fonctionner les outils électriques en atmosphère explosive, par exemple en présence de liquides inflammables, de gaz ou de poussières.** Les outils électriques produisent des étincelles qui peuvent enflammer les poussières ou les fumées.
- **Maintenir les enfants et les personnes présentes à l'écart pendant l'utilisation de l'outil électrique.** Les distractions peuvent vous faire perdre le contrôle de l'outil.

### SÉCURITÉ ÉLECTRIQUE

- **Il faut que les fiches de l'outil électrique soient adaptées au socle. Ne jamais modifier la fiche de quelque façon que ce soit. Ne pas utiliser d'adaptateurs avec des outils électriques à branchement de terre.** Des fiches non modifiées

et des socles adaptés réduisent le risque de choc électrique.

- **Éviter tout contact du corps avec des surfaces reliées à la terre telles que les tuyaux, les radiateurs, les cuisinières et les réfrigérateurs.** Il existe un risque accru de choc électrique si votre corps est relié à la terre.
- **Ne pas exposer les outils électriques à la pluie ou à des conditions humides.** La pénétration d'eau à l'intérieur d'un outil électrique augmente le risque de choc électrique.
- **Ne pas maltraiter le cordon. Maintenir le cordon à l'écart de la chaleur, du lubrifiant, des arêtes vives ou des parties en mouvement.** Des cordons endommagés ou emmêlés augmentent le risque de choc électrique.
- **Lorsqu'on utilise un outil électrique à l'extérieur, utiliser un prolongateur adapté à l'utilisation extérieure.** L'utilisation d'un cordon adapté à l'utilisation extérieure réduit le risque de choc électrique.
- **Si l'usage d'un outil électrique dans un emplacement humide est inévitable, utiliser une alimentation protégée par un dispositif à courant différentiel résiduel (RCD).** L'usage d'un RCD réduit le risque de choc électrique.

### SÉCURITÉ DES PERSONNES

- **Rester vigilant, regarder ce que vous êtes en train de faire et faire preuve de bon sens dans votre utilisation de l'outil électrique. Ne pas utiliser un outil électrique lorsque vous êtes fatigué ou sous l'emprise de drogues, de l'alcool ou de médicaments.** Un moment d'inattention en cours d'utilisation d'un outil électrique peut entraîner des blessures graves.
- **Utiliser un équipement de protection individuelle. Toujours porter une protection pour les yeux.** Les équipements de protection individuelle tels que les masques contre les poussières, les chaussures de sécurité antidérapantes, les casques ou les protections auditives utilisés pour les conditions appropriées réduisent les blessures.
- **Éviter tout démarrage intempestif. S'assurer que l'interrupteur est en position arrêté avant de brancher l'outil au secteur et/ou au bloc de batteries, de le ramasser ou de le porter.** Porter les outils électriques en ayant le doigt sur l'interrupteur ou brancher des outils électriques dont l'interrupteur est en position marche est source d'accidents.
- **Retirer toute clé de réglage avant de mettre l'outil électrique en marche.** Une clé laissée fixée sur une partie tournante de l'outil électrique peut donner lieu à des blessures.
- **Ne pas se précipiter. Garder une position et un équilibre adaptés à tout moment.** Cela permet un meilleur contrôle de l'outil électrique dans des situations inattendues.
- **S'habiller de manière adaptée. Ne pas porter de vêtements amples ou de bijoux. Garder les cheveux et les vêtements à distance des parties en mouvement.** Des vêtements amples, des bijoux ou les





cheveux longs peuvent être pris dans des parties en mouvement.

- **Si des dispositifs sont fournis pour le raccordement d'équipements pour l'extraction et la récupération des poussières, s'assurer qu'ils sont connectés et correctement utilisés.** Utiliser des collecteurs de poussière peut réduire les risques dus aux poussières.
- **Rester vigilant et ne pas négliger les principes de sécurité de l'outil sous prétexte que vous avez l'habitude de l'utiliser.** Une fraction de seconde d'inattention peut provoquer une blessure grave.

#### UTILISATION ET ENTRETIEN DE L'OUTIL ÉLECTRIQUE

- **Ne pas forcer l'outil électrique. Utiliser l'outil électrique adapté à votre application.** L'outil électrique adapté réalise mieux le travail et de manière plus sûre au régime pour lequel il a été construit.
- **Ne pas utiliser l'outil électrique si l'interrupteur ne permet pas de passer de l'état de marche à arrêt et inversement.** Tout outil électrique qui ne peut pas être commandé par l'interrupteur est dangereux et il faut le réparer.
- **Débrancher la fiche de la source d'alimentation et/ou enlever le bloc de batteries, s'il est amovible, avant tout réglage, changement d'accessoires ou avant de ranger l'outil électrique.** De telles mesures de sécurité préventives réduisent le risque de démarrage accidentel de l'outil électrique.
- **Conserver les outils électriques à l'arrêt hors de la portée des enfants et ne pas permettre à des personnes ne connaissant pas l'outil électrique ou les présentes instructions de le faire fonctionner.** Les outils électriques sont dangereux entre les mains d'utilisateurs novices.
- **Observer la maintenance des outils électriques et des accessoires.** Vérifier qu'il n'y a pas de mauvais alignement ou de blocage des parties mobiles, des pièces cassées ou toute autre condition pouvant affecter le fonctionnement de l'outil électrique. En cas de dommages, faire réparer l'outil électrique avant de l'utiliser. De nombreux accidents sont dus à des outils électriques mal entretenus.
- **Garder affûtés et propres les outils permettant de couper.** Des outils destinés à couper correctement entretenus avec des pièces coupantes tranchantes sont moins susceptibles de bloquer et sont plus faciles à contrôler.
- **Utiliser l'outil électrique, les accessoires et les lames etc., conformément à ces instructions, en tenant compte des conditions de travail et du travail à réaliser.** L'utilisation de l'outil électrique pour des opérations différentes de celles prévues peut donner lieu à des situations dangereuses.
- **Il faut que les poignées et les surfaces de préhension restent sèches, propres et dépourvues d'huiles et de graisses.** Des poignées et des surfaces de préhension glissantes rendent impossibles la manipulation et le contrôle en toute sécurité de l'outil dans les situations attendues.

#### UTILISATION DES OUTILS FONCTIONNANT SUR BATTERIES ET PRÉCAUTIONS D'EMPLOI

- **Ne recharger qu'avec le chargeur spécifié par le fabricant.** Un chargeur qui est adapté à un type de bloc de batteries peut créer un risque de feu lorsqu'il est utilisé avec un autre type de bloc de batteries.
- **N'utiliser les outils électriques qu'avec des blocs de batteries spécifiquement désignés.** L'utilisation de tout autre bloc de batteries peut créer un risque de blessure et de feu.
- **Lorsqu'un bloc de batteries n'est pas utilisé, le maintenir à l'écart de tout autre objet métallique, par exemple trombones, pièces de monnaie, clés, clous, vis ou autres objets de petite taille qui peuvent donner lieu à une connexion d'une borne à une autre.** Le court-circuitage des bornes d'une batterie entre elles peut causer des brûlures ou un feu.
- **Dans de mauvaises conditions, du liquide peut être éjecté de la batterie; éviter tout contact. En cas de contact accidentel, nettoyer à l'eau. Si le liquide entre en contact avec les yeux, rechercher en plus une aide médicale.** Le liquide éjecté des batteries peut causer des irritations ou des brûlures.
- **Ne pas utiliser un bloc de batteries ou un outil fonctionnant sur batteries qui a été endommagé ou modifié.** Les batteries endommagées ou modifiées peuvent avoir un comportement imprévisible provoquant un feu, une explosion ou un risque de blessure.
- **Ne pas exposer un bloc de batteries ou un outil fonctionnant sur batteries au feu ou à une température excessive.** Une exposition au feu ou à une température supérieure à 130°C peut provoquer une explosion.
- **Suivre toutes les instructions de charge et ne pas charger le bloc de batteries ou l'outil fonctionnant sur batteries hors de la plage de températures spécifiée dans les instructions.** Un chargement incorrect ou à des températures hors de la plage spécifiée de températures peut endommager la batterie et augmenter le risque de feu.

#### ENTRETIEN

- **Faire entretenir l'outil électrique par un réparateur qualifié utilisant uniquement des pièces de rechange identiques.** Cela assure le maintien de la sécurité de l'outil électrique.
- **Ne jamais effectuer d'opération d'entretien sur des blocs de batteries endommagés.** Il convient que l'entretien des blocs de batteries ne soit effectué que par le fabricant ou les fournisseurs de service autorisés.

#### CONSIGNES DE SÉCURITÉ POUR LES SCIES À ONGLET

- **Les scies à onglet sont conçues pour couper du bois ou des objets en bois. Elles ne peuvent être utilisées avec des disques à tronçonner destinés à la coupe de matériaux ferreux comme des barres, des tiges, des goujons, etc. La poussière abrasive provoque le blocage des pièces mobiles telles que la protection inférieure. Les étincelles issues**





d'une découpe abrasive peuvent brûler la protection inférieure, l'insert de trait de scie et d'autres pièces en plastique.

- **Bloquez la pièce à travailler avec des serre-joints lorsque cela est possible.** Si le soutien de la pièce à usiner s'effectue manuellement, il convient de tenir vos mains à au moins 100 mm de la lame de scie. **N'utilisez pas la scie pour couper des pièces trop petites pour être soutenues manuellement ou fixées correctement.** Le fait d'approcher votre main de la lame de scie augmente le risque de blessures dues au contact avec la lame.
- **La pièce à usiner doit être immobile et fixée ou bloquée contre le guide et la table.** Il ne faut en aucun cas avancer la pièce vers la lame ou effectuer de coupe « à la main ». Les pièces non retenues ou en mouvement peuvent être projetées à très grande vitesse et provoquer des blessures.
- **Avancez la scie vers la pièce à usiner. Ne tirez pas la scie vers vous. Pour effectuer une coupe, levez la tête de la scie, positionnez-la au-dessus de la pièce à usiner, mettez le moteur sous tension, abaissez la tête de la scie et avancez la scie vers la pièce à usiner.** Effectuer une coupe tirante peut faire monter la lame de scie au-dessus de la pièce à usiner et la projeter vers l'opérateur.
- **Ne placez jamais votre main au-dessus de la ligne de coupe, que ce soit devant ou derrière la lame de scie.** Il est extrêmement dangereux de soutenir la pièce à usiner de façon « croisée », c'est-à-dire en utilisant votre main gauche pour tenir la pièce à droite de la lame de scie ou vice-versa.
- **Lorsque la lame est en mouvement, n'essayez pas d'atteindre l'autre côté du guide si vos mains se trouvent à moins de 100 mm d'un des côtés de la lame de scie, que ce soit pour retirer des chutes de bois ou pour toute autre raison.** La proximité de votre main avec la lame de scie en mouvement est difficile à évaluer, ce qui présente un risque de blessures graves.
- **Inspectez la pièce à usiner avant de procéder à la coupe. Si la pièce à usiner est courbée ou déformée, il convient de la fixer avec la face courbée extérieure contre le guide. Veillez toujours à ce qu'il n'y ait aucun écart entre la pièce à usiner, le guide et la table le long de la ligne de coupe.** Les pièces à usiner courbées ou déformées peuvent vriller ou se tordre et provoquer le grippage de la lame de scie en mouvement lors de la coupe. La pièce à usiner doit être exempte de clous ou de tout autre objet étranger.
- **N'utilisez pas la scie s'il reste des outils, des chutes de bois ou autres sur la table.** Les petites chutes de bois, les pièces libres ou tout autre objet entrant en contact avec la lame rotative peuvent être projetés à grande vitesse.
- **Ne coupez qu'une seule pièce à usiner à la fois.** Des pièces à usiner empilées ne peuvent pas être correctement fixées ou maintenues et peuvent gripper la lame ou dévier pendant la coupe.
- **Avant utilisation, veillez toujours à ce que la scie à onglet soit montée ou placée sur une surface de travail ferme et plane.** Une surface de travail ferme et

plane réduit le risque d'instabilité de la scie à onglet.

- **Planifiez les tâches. À chaque changement de réglage de l'angle de biseau ou d'onglet, veillez toujours à ce que le guide ajustable soit correctement positionné afin de soutenir la pièce à usiner et à ce qu'il n'entre pas en contact avec la lame ou le système de protection.** Avec l'outil hors tension et en l'absence de pièce à usiner sur la table, simulez une coupe avec la lame de scie afin de vous assurer qu'il n'y aura aucun contact avec le guide et aucun danger de le couper.
- **Pour une pièce à usiner plus large ou longue que la table, prévoyez un support adapté (rallonges de table, chevalets de sciage, etc.).** Les pièces à usiner plus larges ou plus longues que la table de la scie à onglet peuvent basculer si elles ne sont pas fixées correctement. Le basculement de la chute ou de la pièce à usiner peut provoquer le soulèvement de la protection inférieure ou sa projection par la lame en mouvement.
- **Ne faites jamais appel à une personne pour servir de substitut à une rallonge de table ou à un support complémentaire.** Lors de l'opération de coupe, un support de pièce à usiner instable peut provoquer le grippage de la lame ou la déviation de la pièce à usiner, ce qui vous entraînera, votre assistant et vous, vers la lame.
- **En aucun cas la chute ne doit être bloquée ou appuyée contre la lame de scie en mouvement.** Si l'espace est réduit, comme par exemple en cas d'utilisation de butées, la chute pourrait se coincer contre la lame et être projetée violemment.
- **Utilisez toujours une bride ou un dispositif conçu pour correctement soutenir les matériaux ronds comme des tiges ou des tubes.** Lors de la coupe, les tiges ont tendance à rouler et la lame peut alors « mordre » et entraîner la pièce à usiner et vos mains vers la lame.
- **Attendez que la lame atteigne sa pleine vitesse avant d'y apposer la pièce à usiner.** Cela réduira le risque de projection de la pièce à usiner.
- **Si la pièce à usiner ou la lame se coince, arrêtez la scie à onglet. Attendez que toutes les pièces en mouvement se soient immobilisées puis débrancher l'outil et/ou retirer le bloc de batterie. Procédez ensuite au déblocage du matériau coincé.** Poursuivre la coupe avec une pièce bloquée peut provoquer une perte de contrôle ou endommager la scie à onglet.
- **Après la coupe, relâchez le bouton, tenir la scie tête vers le bas et attendez l'arrêt de la lame avant de passer au retrait de la chute.** Il est dangereux d'approcher votre main de la lame encore en rotation.

#### INSTRUCTIONS DE SÉCURITÉ CONCERNANT LA LAME DE COUPE DU BOIS

- Il est important de lire attentivement le manuel et les instructions avant d'utiliser la lame de scie et le produit.
- L'outil électrique doit être en bon état, l'arbre sans déformation ni vibration.





- N'utilisez pas le produit si les protections ne sont pas en place. Gardez les protections en bon état de fonctionnement et bien entretenues.
- Veillez à ce que l'opérateur soit bien formé aux précautions de sécurité, aux réglages et à l'utilisation du produit.
- Lors de l'utilisation du produit, portez toujours des lunettes et des protections auditives. Des gants de sécurité, des chaussures solides et à semelles antidérapantes et un tablier sont recommandés.
- Avant toute utilisation d'un accessoire, consultez le manuel utilisateur. La mauvaise utilisation d'un accessoire peut entraîner des dommages et augmenter le risque de blessure.
- N'utilisez que les lames spécifiées dans ce manuel, répondant à la norme EN 847-1.
- Respectez la vitesse maximale de rotation indiquée sur la lame. Assurez-vous que la vitesse marquée sur la lame de scie est au moins égale à la vitesse marquée sur la scie.
- Utilisez toujours des lames dont la taille et la forme sont adaptées à l'alsage de l'arbre. Des lames non adaptées à l'arbre sur lequel elles doivent être montées ne tourneront pas correctement et peuvent vous faire perdre de contrôle de l'outil.
- N'utilisez pas de lames d'un diamètre supérieur ou inférieur à celui recommandé. N'utilisez pas de rondelles ou d'entretoises pour adapter la lame à la broche.
- Vérifiez que les dents de la lame de scie sont en bon état et d'apparence normale avant chaque utilisation. Les dents endommagées ou instables peuvent, à l'utilisation, devenir des projectiles et augmenter le risque de blessures.
- N'utilisez pas de lames de scie fissurées ou déformées. N'utilisez pas de lames de scie qui sont endommagées ou déformées.
- Mettez la lame de scie au rebut si elle est endommagée, déformée, tordue ou fendue ; aucune réparation n'est permise.
- N'utilisez pas de lames HSS.
- Avant utilisation, veillez à ce que la lame de scie soit correctement montée et serrez fermement l'écrou du mandrin (couple de serrage d'environ 12-15 Nm).
- Les vis et les écrous de fixation doivent être serrés à l'aide d'une clé adaptée, etc.
- Ni l'utilisation d'une rallonge de clé ni le serrage à l'aide de coups de marteau ne sont autorisés.
- Assurez-vous que toutes les lames et tous les flasques sont propres et que les parties épaulées des colliers sont orientées vers la lame.
- Assurez-vous que la lame tourne dans le bon sens.
- Avant de travailler, faites une coupe à blanc moteur arrêté afin de pouvoir vérifier la position de la lame, le fonctionnement des protections par rapport aux autres éléments de la machine ainsi que la pièce à couper.
- Ne laissez jamais le produit sans surveillance.
- N'appliquez pas de lubrifiant sur la lame lorsqu'elle est en rotation.
- N'effectuez jamais aucune opération de nettoyage

ou d'entretien lorsque la machine est toujours en mouvement et que la tête n'est pas en position de repos.

- Ne tentez jamais d'arrêter rapidement une machine en rotation en coinçant un outil ou autre élément contre la lame, vous risqueriez de provoquer de graves accidents.
- Débranchez l'appareil de la prise secteur ou retirez le bloc de batterie avant de changer les lames ou d'effectuer l'entretien.
- Prenez garde lors de l'emballage et du déballage de la lame, il est facile de se blesser avec les dents affûtées.
- Utilisez un porte-lame ou portez des gants lorsque vous manipulez une lame de scie.
- Conservez et stockez la lame dans son emballage d'origine ou autre emballage adapté, au sec et à l'abri des produits chimiques susceptibles de l'endommager.

### INSTRUCTIONS DE SÉCURITÉ ADDITIONNELLES

- Fixez toujours la pièce à couper de façon ferme et sûre.
- Assurez-vous que la machine présente toujours une bonne stabilité (par ex. par une fixation sur l'établi).
- Portez une protection acoustique. L'influence du bruit peut provoquer la surdité.
- Portez toujours des lunettes de sécurité lors de l'utilisation du produit. Il est recommandé de porter des gants pour manipuler les lames et les matériaux bruts, ainsi que de solides chaussures antidérapantes pour protéger les pieds de la chute de pièces coupées de la zone de coupe.
- Débranchez l'appareil de la prise secteur ou retirez le bloc de batterie avant d'entretenir ou de nettoyer le produit.
- Installez uniquement le bloc de batterie lorsque le produit est hors tension.
- Ne tentez jamais d'atteindre l'entourage de la lame sans qu'elle ne soit totalement immobile.
- Avant toute utilisation, il convient de vérifier soigneusement l'absence de dommage ou d'usure du matériel sur le produit ou le bloc de batterie. Les réparations à effectuer sur le produit doivent uniquement être réalisées par un centre d'entretien agréé.
- Utilisez toujours les protections du produit. N'utilisez pas le produit si les protections ne sont pas en place ou ne fonctionnent pas correctement.
- La protection de lame inférieure ne doit s'ouvrir que lorsque la lame est abaissée sur la pièce de travail. Elle doit toujours être en mesure de se déplacer librement et de se fermer automatiquement.
- Pour le soutien de la pièce à usiner lors de l'opération, veillez à toujours fixer et utiliser des barres d'extension.
- N'altérez et ne modifiez jamais le produit ou son fonctionnement. Votre sécurité pourrait en être affectée.
- N'utilisez pas une lame de scie fêlée, endommagée ou déformée.
- N'utilisez pas une lame de scie fabriquée en acier à coupe rapide.

|           |
|-----------|
| EN        |
| <b>FR</b> |
| DE        |
| ES        |
| IT        |
| NL        |
| PT        |
| DA        |
| SV        |
| FI        |
| NO        |
| RU        |
| PL        |
| CS        |
| RO        |
| HU        |
| LV        |
| LT        |
| ET        |
| HR        |
| SL        |
| SK        |
| BG        |
| UK        |
| TR        |
| EL        |





- N'utilisez que des lames bien affûtées. Remplacez toute lame émoussée.
- Utilisez toujours des lames dont la taille et la forme sont adaptées à l'alésage de l'arbre. Des lames non adaptées à l'arbre sur lequel elles doivent être montées ne tourneront pas correctement et peuvent vous faire perdre de contrôle de l'outil.
- N'utilisez que les lames à bois indiquées dans ce manuel et conformes à la norme EN 847-1.
- N'utilisez aucun autre collet, aucune autre rondelle, ni aucun autre écrou que ceux fournis ou indiqués dans le manuel pour verrouiller la lame.
- Choisissez une lame de scie qui convient au matériau à couper. N'utilisez jamais le produit pour couper des matériaux autres que ceux indiqués dans la section « Utilisation prévue » de ce manuel.
- Pendant la coupe, il est important d'éviter la surchauffe de la lame et la fonte du plastique.
- Il est essentiel de respecter la vitesse maximum indiquée sur la lame de scie et d'utiliser uniquement une lame de scie dont la vitesse indiquée est égale ou supérieure à celle indiquée sur l'outil.
- Remplacez l'insert de plateau une fois usé ou endommagé.
- Avant de travailler, faites une coupe à blanc moteur arrêté afin de pouvoir vérifier la position de la lame, le fonctionnement des protections par rapport aux autres éléments de la machine ainsi que la pièce à couper.
- Lors de la réalisation de coupes en biseau, d'onglets ou d'onglets mixtes, il convient de régler le guide coulissant ou le sous-guide afin garantir le dégagement complet de la lame.
- Le verrouillage de la poignée doit toujours être engagé lors du transport du produit.
- Gardez le sol exempt de corps étrangers, tels que chutes et copeaux.
- N'enlevez pas des restes de sciage ou d'autres parties de pièces à ouvrir de la zone de sciage lorsque la machine tourne et que la tête de sciage n'est pas dans la position de repos.
- Les longues pièces à usiner doivent être soutenues de manière appropriée. L'espace de travail de la scie comprend toute l'étendue de la pièce à couper. L'opérateur doit sécuriser cet espace contre tout contact accidentel par d'autres personnes ou objets qui serait susceptible de faire bouger la pièce en cours de coupe.
- La poussière générée lors de l'utilisation du produit pourrait entraîner des risques pour la santé. Utilisez un dispositif d'aspiration de la poussière et portez un masque de protection adapté. Retirez soigneusement la sciure, par ex. à l'aide d'un aspirateur.
- Ne remplacez pas le laser par un modèle d'un autre type. Toute réparation doit uniquement être effectuée par le fabricant ou l'agent technique agréé.
- La plage de température ambiante pour l'outil en fonctionnement se situe entre 0 °C et 40 °C.
- La plage de température ambiante pour l'entreposage de l'outil se situe entre 0 °C et 40 °C.
- La plage de température ambiante recommandée pour

le système de chargement en fonctionnement se situe entre 10 °C et 38 °C.

### TRANSPORT DES BATTERIES AU LITHIUM

Transportez les batteries en conformité avec les dispositions et règlements locaux et nationaux.

Respectez toutes les exigences légales particulières concernant l'emballage et l'étiquetage des batteries lorsque vous confiez leur transport à un tiers. Assurez-vous qu'aucune batterie ne puisse entrer en contact avec une autre batterie ou avec des matériaux conducteurs lors de son transport en isolant les bornes électriques avec du ruban adhésif ou des capuchons isolants. Ne transportez pas une batterie qui serait fendue ou qui fuirait. Demandez conseil au transporteur pour de plus amples informations.

### MISES EN GARDE DE SÉCURITÉ SUPPLÉMENTAIRES CONCERNANT LA BATTERIE

#### ⚠ AVERTISSEMENT

Pour réduire le risque d'incendie, de blessures corporelles et de dommages causés par un court-circuit, n'immergez jamais l'outil, le bloc de batterie ou le chargeur dans un liquide et ne laissez pas couler un fluide à l'intérieur de celui-ci. Les fluides corrosifs ou conducteurs, tels que l'eau de mer, certains produits chimiques industriels, les produits de blanchiment ou contenant des agents de blanchiment, etc. peuvent provoquer un court-circuit.

- La plage de température ambiante pour la batterie en utilisation se situe entre 0 °C et 40 °C.
- La plage de température ambiante pour l'entreposage de la batterie se situe entre 0 °C et 20 °C.

### SÉCURITÉ RELATIVE AU LASER

- Le rayonnement du guide laser utilisé par cette scie est de type Classe 2 avec une puissance maximale  $\leq 1\text{mW}$  et une longueur d'onde de 650 nm. Ne regardez pas directement le rayon laser. Le non-respect des règles pourrait entraîner de graves blessures.
- Ne regardez pas le rayon au cours de l'opération.
- Ne projetez pas le rayon laser directement vers les yeux d'autrui. De graves blessures oculaires pourraient en résulter.
- Ne placez pas le laser de telle façon que quiconque puisse diriger son regard vers le rayon laser, que ce soit intentionnellement ou pas.
- N'utilisez pas d'outils optiques pour voir le rayon laser.
- N'utilisez pas le laser en présence d'enfants et ne laissez pas les enfants l'utiliser.
- Ne tentez pas de réparer le laser par vous-même.
- Ne tentez de changer aucune pièce du laser par vous-même.
- Les réparations ne doivent être effectuées que par le fabricant du laser ou par un réparateur agréé.
- Ne remplacez pas le laser par un modèle d'un autre type.



## RISQUES RÉSIDUELS

Même lorsque le produit est utilisé selon les prescriptions, il reste impossible d'éliminer totalement certains facteurs de risque résiduels. Les dangers suivants risquent de se présenter en cours d'utilisation et l'utilisateur doit prêter particulièrement garde aux points suivants:

- Risque d'entrée en contact avec les parties non couvertes de la lame en rotation.
- Rebond des pièces à couper et de fragments des pièces à couper dû à un mauvais réglage ou à une mauvaise manipulation.
- Projection de plaquettes au carbure défectueuses de la lame de scie.
- Atteinte du système respiratoire.

**REMARQUE :** Portez un masque de protection respiratoire adapté aux matériaux coupés Assurez une ventilation correcte à l'espace de travail. Ne mangez pas, ne buvez pas, et ne fumez pas dans l'espace de travail.

- Atteinte à l'audition en cas de non-port d'une protection auditive.

**⚠ AVERTISSEMENT**

La sciure en provenance de certaines peintures, vernis et matériaux est susceptible de provoquer des irritations ou des réactions allergiques au système respiratoire. La sciure de bois tels que le chêne, le hêtre, l'aggloméré et autres est cancérigène. Les matériaux contenant de l'amiante ne doivent être travaillés ou traités que par du personnel spécialisé.

**⚠ AVERTISSEMENT**

L'utilisation prolongée d'un outil est susceptible de provoquer ou d'aggraver des blessures. Assurez-vous de faire des pauses de façon régulière lorsque vous utilisez tout outil de façon prolongée.

## APPRENEZ À CONNAÎTRE VOTRE PRODUIT

Voir page 215.

1. Poignée, surface de préhension isolée
2. Interrupteur d'alimentation
3. Poignée de verrouillage de sécurité
4. Protège-lame supérieur
5. Lame de scie
6. Protège-lame inférieur
7. Guide principal
8. Plateau tournant
9. Semelle
10. Insert de plateau
11. Poignée de verrouillage du plateau tournant
12. Pied d'équilibrage
13. Sécurité anti-basculement
14. Interrupteur du laser
15. Poignée supérieure, surface de préhension isolée
16. Flasque
17. Butée de bride
18. Levier de verrouillage de l'angle de biseau
19. Serre-joint

20. Guide de coupe
21. Trou de montage
22. Barre d'extension
23. Vis pour verrouiller le guide principal
24. Bouton de verrouillage de l'arbre
25. Bloc de batterie
26. Sac à poussière
27. Bouton de réglage de la profondeur de coupe
28. Butée de profondeur maximale de coupe
29. Bouton de butée de la tige
30. Vis de réglage de la butée de limitation de l'angle de biseau
31. Clé hexagonale

## UTILISATION

Le produit est équipé d'une lame de scie en mouvement pouvant être réglée à différents angles par l'opérateur pour la coupe d'une pièce fermement fixée à la base du produit. Il ne doit être manipulé que par une seule personne afin d'éviter tout contact involontaire avec la lame en rotation.

Les principes à appliquer pour une utilisation sûre du produit sont les suivants:

- Gardez la scie, les lames et l'espace de travail en bon état.
- Fixez la base de la scie à onglet à un établi solide. Le produit est susceptible de bouger et de basculer s'il n'est pas fixé de façon adéquate.
- Réglez et verrouillez les angles et la profondeur de coupe avant d'effectuer la coupe.
- Verrouillez la pièce à couper sur la base de la scie à onglet. Utilisez le serre-joint fourni et, lorsque cela est nécessaire, utilisez d'autres serre-joints ou dispositifs de serrage pour empêcher tout mouvement intempestif de la pièce en cours de coupe.
  - Vérifiez que le fonctionnement du carter de lame n'est pas gêné par la position de la pièce à couper.
  - Assurez-vous que le guide et autres parties du produit ne seront pas coupés lors de l'abaissement de la lame en position de coupe.
- Démarrez le moteur et laissez la lame atteindre sa vitesse maximale avant de l'abaisser lentement sur la pièce à couper. Faites coulisser la lame vers l'arrière pour terminer la coupe si nécessaire.
- Laissez l'ensemble de la lame remonter à sa position la plus haute où le carter de protection est totalement fermé. Arrêtez le moteur et laissez la lame s'arrêter complètement avant de retirer la pièce coupée ou les chutes, ou avant d'accéder à la zone proche de la lame.

Avant première utilisation, assurez-vous que l'angle d'onglet ou de biseau réglé sur le produit correspond bien à l'angle obtenu sur la pièce coupée. Vérifiez ceci sur une chute de bois à l'aide d'outils de charpentier ou d'une équerre à onglet.

**⚠ AVERTISSEMENT**

Le fabricant conseille fortement de laisser le produit monté en permanence sur un établi.

Lorsque la base du produit est bien fixée sur le dessus de la table par quatre écrous, boulons et rondelles, tel



qu'indiqué, le produit peut être utilisé sur le biseau et l'angle maximum sans qu'il ne puisse basculer. Si le produit n'est pas bien fixé, il est susceptible de basculer lorsque de grands angles de biseau sont sélectionnés.

Une barre d'extension se trouve à l'avant de la base de la scie, vous devez la déployer entièrement. Ceci évitera que la scie à onglet ne bascule trop.

Une vis de réglage est également présente (pied d'équilibrage) qui se trouve dans le prolongement du plateau tournant de la rallonge. Cette vis doit être réglée de façon à entrer en contact avec la surface horizontale sur laquelle repose le produit. Cela aura également pour effet d'empêcher le produit de basculer de façon trop importante lors des coupes aux réglages extrêmes de biseau et d'onglet. Prenez garde, cette partie du plateau de la scie bouge lorsque différents angles d'onglet sont sélectionnés, la vis doit donc être fréquemment réglée et remise à zéro.

## ENTRETIEN

- Ne modifiez le produit d'aucune façon et n'utilisez aucun accessoire non recommandé par le fabricant. Votre sécurité et celle des autres pourrait en être affectée.
- N'utilisez pas le produit si un de ses interrupteurs, une de ses protections ou autre élément ne fonctionne pas correctement. Retournez-le à un service après-vente agréé pour le faire remplacer ou réparer de façon professionnelle.
- Ne faites aucun réglage pendant que la lame est en mouvement.
- Veillez toujours à ce que le bloc de batterie soit retiré du produit avant d'effectuer des réglages, de graisser ou d'entretenir le produit.
- Avant et après chaque utilisation du produit, vérifiez l'absence de dommages et d'éléments abîmés. Gardez le produit en parfait état de fonctionnement en remplaçant immédiatement les pièces avec des pièces détachées agréées par le fabricant.
- La lame a des bords tranchants et peut aussi rester chaude après les opérations de découpe. Soyez extrêmement prudent quand vous nettoyez une lame exposée. Portez des gants pour vous protéger et éviter de vous blesser.
- Nettoyez régulièrement la scie et ses accessoires de façon à retirer toute la poussière, notamment au niveau des pièces en mouvement telles que la protection de la lame. Pour retirer efficacement la poussière, utilisez une balayette ou un aspirateur. N'utilisez pas d'air comprimé.
- Pour plus de sécurité et de fiabilité, toutes les réparations, changement des charbons compris, doivent être effectuées par un service après-vente agréé.

## ⚠ AVERTISSEMENT

N'essayez pas de démonter la protection de lame pour nettoyer ou effectuer des réparations. N'utilisez pas de protections endommagées. Retournez le produit à un centre de service après-vente agréé en vue de sa réparation ou de son remplacement.

## ⚠ AVERTISSEMENT

Pour plus de sécurité et de fiabilité, toutes les réparations doivent être effectuées par un service après-vente agréé.

## Étalonnage de l'angle de biseau et de l'onglet

Pour procéder à l'étalonnage de l'angle de biseau et de l'onglet, reportez-vous aux pages 236 – 242 et observez les instructions d'étalonnage.

## Butée de profondeur maximale de coupe

La butée de profondeur maximale de coupe est destinée à empêcher que la lame de la scie ne puisse entamer la base métallique de l'appareil.

## ⚠ AVERTISSEMENT

La butée de profondeur maximale de coupe ne peut pas être réglée par l'utilisateur. Ne réglez pas la butée de profondeur maximale de coupe.

## TRANSPORT ET STOCKAGE

- Retirez le bloc de batterie lors du stockage du produit. Rangez le produit dans un endroit sûr, hors de portée des enfants.
- Nettoyez le produit à l'aide d'un pinceau ou d'un aspirateur avant de le ranger.
- Si vous retirez la lame de scie ou si vous gardez des lames de rechange avec l'appareil, assurez-vous qu'elles sont dans leur emballage d'origine afin d'éviter toute blessure.

## Pour verrouiller le produit avant de le déplacer:

- Le produit doit être rangé avec les angles de biseau et d'onglet à zéro, poignée en position verrouillée. La glissière doit être verrouillée. La poignée doit être verrouillée en position basse (de sécurité), protections fermées.
- Afin de faciliter le transport, il est possible de retirer les barres d'extension de l'un ou des deux côtés.

## Pour un déplacement ou un transport dans un véhicule:

- Verrouillez le produit avant tout mouvement comme décrit dans le manuel.
- Le produit doit être retiré de l'établi en desserrant les 4 boulons, un à chaque angle. Verrouillez les écrous pour utilisation ultérieure. Soulevez le produit à l'aide des poignées situées sur le dessus.
- Deux personnes équipées de gants solides sont nécessaires pour soulever la base du produit en hauteur.
- Lors de son transport dans un véhicule, posez le produit sur sa base et fixez-le pour empêcher tout mouvement.





**PROTECTION DE L'ENVIRONNEMENT**



Recyclez les matières premières au lieu de les jeter avec les ordures ménagères. Pour protéger l'environnement, l'outil, les accessoires et les emballages doivent être triés.

**SYMBOLES APPLIQUÉS SUR LE PRODUIT**



Alerte de sécurité



Conformité CE



Marque de conformité d'Eurasie



Marque de conformité ukrainienne



Veuillez lire attentivement le mode d'emploi avant de démarrer la machine.



Portez une protection auditive.



Portez toujours une protection oculaire.



Éloignez vos mains de la lame et de la zone de coupe.



N'exposez pas l'appareil à la pluie et ne l'utilisez pas dans un endroit humide.



Portez des gants de sécurité.



Sens de rotation de la lame (indiqué sur la lame de scie)



Sens de rotation de la lame (indiqué sur le carter de protection de la lame)



Largeur de coupe de la lame (trait de scie)



Nombre de dents de la lame de scie



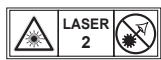
Capacité de coupe



Pour la coupe du bois et de matériaux similaires



Inadapté à la coupe des métaux



Radiation laser. Ne regardez pas directement le rayon laser.

Laser de classe 2

Les produits électriques hors d'usage ne doivent pas être jetés avec les ordures ménagères. Recyclez-les par l'intermédiaire des structures disponibles. Contactez les autorités locales ou votre distributeur pour vous renseigner sur les conditions de recyclage.



**SYMBOLES PRÉSENTS DANS LE MANUEL**



Verrouillage



Déverrouillage



Le mécanisme de blocage ne fonctionne pas



Pièces détachées et accessoires vendus séparément



Remarque



Avertissement

Les symboles suivants, et les noms qui leur sont associés, permettent d'expliquer les différents niveaux de risques liés à l'utilisation de cet outil.

**⚠ DANGER**

Imminence d'un danger qui, si l'on n'y prend garde, peut entraîner des blessures graves voire mortelles.

**⚠ AVERTISSEMENT**

Situation potentiellement dangereuse qui, si l'on n'y prend garde, peut entraîner des blessures graves voire mortelles.

**⚠ ATTENTION**

Situation potentiellement dangereuse qui, si l'on n'y prend garde, peut entraîner des blessures moyennes ou légères.

**ATTENTION**

(Sans symbole de sécurité) Indique une situation pouvant provoquer des dommages matériels.

Sicherheit, Leistung und Zuverlässigkeit hatten oberste Priorität bei der Entwicklung Ihrer Gehrungskappsäge mit Schiebefunktion.

### BESTIMMUNGSGEMÄSSE VERWENDUNG

Die Gehrungskappsäge ist zum Sägen von massivem und verleimtem Holz, holzähnlichen Werkstoffen mit oder ohne Furnier und Kunststoffen ausgelegt.

Das Produkt darf nur von Erwachsenen verwendet werden, die die Bedienungsanleitung gelesen und die Risiken und Gefahren verstanden haben.

Das Produkt ist so konzipiert, dass es an der Bodenplatte einer massiven Werkbank befestigt werden kann. Wenn das Sockel nicht sicher befestigt ist, kann sich die ganze Maschine beim Sägen bewegen und die Gefahr schwerer Verletzungen vergrößern.

Das Produkt ist für Neigungs- und Gehrungsschnitte ausgelegt. Die Funktionen für die verschiedenen Schnitte sind in den Produktbeschreibungen in diesem Handbuch aufgeführt.

Das Produkt muss bei trockenen Bedingungen eingesetzt werden, mit sehr guter Umgebungsbeleuchtung und einer ausreichenden Belüftung.

Das Produkt ist für den Heimgebrauch und sollte nur wie oben beschrieben, und für keine anderen Zwecke, benutzt werden.

### ALLGEMEINE SICHERHEITSHINWEISE FÜR ELEKTROWERKZEUGE

#### ⚠️ WARNUNG

**Lesen Sie alle Sicherheitshinweise und Anweisungen.** Versäumnisse bei der Einhaltung der Sicherheitshinweise und Anweisungen können elektrischen Schlag, Brand und/oder schwere Verletzungen verursachen.

**Bewahren Sie alle Sicherheitshinweise und Anweisungen für die Zukunft auf.** Der in den Sicherheitshinweisen verwendete Begriff „Elektrowerkzeug“ bezieht sich auf netzbetriebene Elektrowerkzeuge (mit Netzleitung) oder auf akkubetriebene Elektrowerkzeuge (ohne Netzleitung).

#### ARBEITSPLATZSICHERHEIT

- **Halten Sie Ihren Arbeitsbereich sauber und gut beleuchtet.** Unordnung oder unbeleuchtete Arbeitsbereiche können zu Unfällen führen.
- **Arbeiten Sie mit dem Elektrowerkzeug nicht in explosionsgefährdeter Umgebung, in der sich brennbare Flüssigkeiten, Gase oder Stäube befinden.** Elektrowerkzeuge erzeugen Funken, die den Staub oder die Dämpfe entzünden können.
- **Halten Sie Kinder und andere Personen während der Benutzung des Elektrowerkzeugs fern.** Bei Ablenkung können Sie die Kontrolle über das Gerät verlieren.

#### ELEKTRISCHE SICHERHEIT

- **Der Anschlussstecker des Elektrowerkzeugs muss in die Steckdose passen. Der Stecker darf in keiner Weise verändert werden. Verwenden Sie keine Adapterstecker gemeinsam mit schutzgeerdeten Elektrowerkzeugen.** Unveränderte Stecker und passende Steckdosen verringern das Risiko eines elektrischen Schlages.
- **Vermeiden Sie Körperkontakt mit geerdeten Oberflächen wie von Rohren, Heizungen, Herden und Kühlschränken.** Es besteht ein erhöhtes Risiko durch elektrischen Schlag, wenn Ihr Körper geerdet ist.
- **Halten Sie Elektrowerkzeuge von Regen oder Nässe fern.** Das Eindringen von Wasser in ein Elektrowerkzeug erhöht das Risiko eines elektrischen Schlages.
- **Zweckentfremden Sie die Anschlussleitung nicht, um das Elektrowerkzeug zu tragen, aufzuhängen oder um den Stecker aus der Steckdose zu ziehen. Halten Sie die Anschlussleitung fern von Hitze, Öl, scharfen Kanten oder sich bewegenden Geräteteilen.** Beschädigte oder verwickelte Anschlussleitungen erhöhen das Risiko eines elektrischen Schlages.
- **Wenn Sie mit einem Elektrowerkzeug im Freien arbeiten, verwenden Sie nur Verlängerungsleitungen, die auch für den Außenbereich geeignet sind.** Die Anwendung einer für den Außenbereich geeigneten Verlängerungsleitung verringert das Risiko eines elektrischen Schlages.
- **Wenn der Betrieb des Elektrowerkzeugs in feuchter Umgebung nicht vermeidbar ist, verwenden Sie einen Fehlerstromschutzschalter.** Der Einsatz eines Fehlerstromschutzschalters vermindert das Risiko eines elektrischen Schlages.

#### SICHERHEIT VON PERSONEN

- **Seien Sie aufmerksam, achten Sie darauf, was Sie tun, und gehen Sie mit Vernunft an die Arbeit mit einem Elektrowerkzeug. Benutzen Sie kein Elektrowerkzeug, wenn Sie müde sind oder unter dem Einfluss von Drogen, Alkohol oder Medikamenten stehen.** Ein Moment der Unachtsamkeit beim Gebrauch des Elektrowerkzeugs kann zu ernsthaften Verletzungen führen.
- **Tragen Sie persönliche Schutzausrüstung und immer eine Schutzbrille.** Das Tragen persönlicher Schutzausrüstung, wie Staubmaske, rutschfeste Sicherheitsschuhe, Schutzhelm oder Gehörschutz, je nach Art und Einsatz des Elektrowerkzeugs, verringert das Risiko von Verletzungen.
- **Vermeiden Sie eine unbeabsichtigte Inbetriebnahme. Vergewissern Sie sich, dass das Elektrowerkzeug ausgeschaltet ist, bevor Sie es an die Stromversorgung und/oder den Akku anschließen, es aufnehmen oder tragen.** Wenn Sie beim Tragen des Elektrowerkzeugs den Finger am Schalter haben oder das Gerät eingeschaltet an die Stromversorgung anschließen, kann dies zu Unfällen führen.
- **Entfernen Sie Einstellwerkzeuge oder**



**Schraubenschlüssel, bevor Sie das Elektrowerkzeug einschalten.** Ein Werkzeug oder Schlüssel, der sich in einem drehenden Geräteteil befindet, kann zu Verletzungen führen.

- **Vermeiden Sie eine abnormale Körperhaltung. Sorgen Sie für einen sicheren Stand und halten Sie jederzeit das Gleichgewicht.** Dadurch können Sie das Elektrowerkzeug in unerwarteten Situationen besser kontrollieren.
- **Tragen Sie geeignete Kleidung. Tragen Sie keine weite Kleidung oder Schmuck. Halten Sie Haare und Kleidung fern von sich bewegenden Teilen.** Lockere Kleidung, Schmuck oder lange Haare können von sich bewegenden Teilen erfasst werden.
- **Wenn Staubabsaug- und -auffangeinrichtungen montiert werden können, sind diese anzuschließen und richtig zu verwenden.** Verwendung einer Staubabsaugung kann Gefährdungen durch Staub verringern.
- **Wiegen Sie sich nicht in falscher Sicherheit und setzen Sie sich nicht über die Sicherheitsregeln für Elektrowerkzeuge hinweg, auch wenn sie nach vielfachem Gebrauch mit dem Elektrowerkzeug vertraut sind.** Achtloses Handeln kann binnen Sekundenbruchteilen zu schweren Verletzungen führen.

#### VERWENDUNG UND BEHANDLUNG DES ELEKTROWERKZEUGS

- **Überlasten Sie das Gerät nicht. Verwenden Sie für Ihre Arbeit das dafür bestimmte Elektrowerkzeug.** Mit dem passenden Elektrowerkzeug arbeiten Sie besser und sicherer im angegebenen Leistungsbereich.
- **Benutzen Sie kein Elektrowerkzeug, dessen Schalter defekt ist.** Ein Elektrowerkzeug, das sich nicht mehr ein- oder ausschalten lässt, ist gefährlich und muss repariert werden.
- **Ziehen Sie den Stecker aus der Steckdose und/oder entfernen Sie einen abnehmbaren Akku, bevor Sie Geräteeinstellungen vornehmen, Zubehörteile wechseln oder das Gerät weglegen.** Diese Vorsichtsmaßnahme verhindert den unbeabsichtigten Start des Elektrowerkzeugs.
- **Bewahren Sie unbenutzte Elektrowerkzeuge außerhalb der Reichweite von Kindern auf. Lassen Sie Personen das Gerät nicht benutzen, die mit diesem nicht vertraut sind oder diese Anweisungen nicht gelesen haben.** Elektrowerkzeuge sind gefährlich, wenn Sie von unerfahrenen Personen benutzt werden.
- **Pflegen Sie Elektrowerkzeuge und Zubehör mit Sorgfalt. Kontrollieren Sie, ob bewegliche Teile einwandfrei funktionieren und nicht klemmen, ob Teile gebrochen oder so beschädigt sind, dass die Funktion des Elektrowerkzeugs beeinträchtigt ist. Lassen Sie beschädigte Teile vor dem Einsatz des Gerätes reparieren.** Viele Unfälle haben ihre Ursache in schlecht gewarteten Elektrowerkzeugen.
- **Halten Sie Schneidwerkzeuge scharf und sauber.** Sorgfältig gepflegte Schneidwerkzeuge mit scharfen Schneidkanten verklemmen sich weniger und sind

leichter zu führen.

- **Verwenden Sie Elektrowerkzeug, Zubehör, Einsatzwerkzeuge usw. entsprechend diesen Anweisungen.** Berücksichtigen Sie dabei die Arbeitsbedingungen und die auszuführende Tätigkeit. Der Gebrauch von Elektrowerkzeugen für andere als die vorgesehenen Anwendungen kann zu gefährlichen Situationen führen.
- **Halten Sie Griffe und Griffflächen trocken, sauber und frei von Öl und Fett.** Rutschige Griffe und Griffflächen erlauben keine sichere Bedienung und Kontrolle des Elektrowerkzeugs in unvorhergesehenen Situationen.

#### VERWENDUNG UND BEHANDLUNG VON AKKUWERKZEUGEN

- **Laden Sie die Akkus nur mit Ladegeräten auf, die vom Hersteller empfohlen werden.** Durch ein Ladegerät, das für eine bestimmte Art von Akku geeignet ist, besteht Brandgefahr, wenn es mit anderen Akkus verwendet wird.
- **Verwenden Sie nur die dafür vorgesehenen Akkus in den Elektrowerkzeugen.** Der Gebrauch von anderen Akkus kann zu Verletzungen und Brandgefahr führen.
- **Halten Sie den nicht benutzten Akku fern von Büroklammern, Münzen, Schlüsseln, Nägeln, Schrauben oder anderen kleinen Metallgegenständen, die eine Überbrückung der Kontakte verursachen könnten.** Ein Kurzschluss zwischen den Akkukontakten kann Verbrennungen oder Feuer zur Folge haben.
- **Bei falscher Anwendung kann Flüssigkeit aus dem Akku austreten. Vermeiden Sie den Kontakt damit. Bei zufälligem Kontakt mit Wasser abspülen. Wenn die Flüssigkeit in die Augen kommt, nehmen Sie zusätzlich ärztliche Hilfe in Anspruch.** Austretende Akkuflüssigkeit kann zu Hautreizungen oder Verbrennungen führen.
- **Benutzen Sie keinen beschädigten oder veränderten Akku.** Beschädigte oder veränderte Akkus können sich unvorhersehbar verhalten und zu Feuer, Explosion oder Verletzungsgefahr führen.
- **Setzen Sie einen Akku keinem Feuer oder zu hohen Temperaturen aus.** Feuer oder Temperaturen über 130°C können eine Explosion hervorrufen.
- **Befolgen Sie alle Anweisungen zum Laden und laden Sie den Akku oder das Akkuwerkzeug niemals außerhalb des in der Betriebsanleitung angegebenen Temperaturbereichs.** Falsches Laden oder Laden außerhalb des zugelassenen Temperaturbereichs kann den Akku zerstören und die Brandgefahr erhöhen.

#### SERVICE

- **Lassen Sie Ihr Elektrowerkzeug nur von qualifiziertem Fachpersonal und nur mit Original-Ersatzteilen reparieren.** Damit wird sichergestellt, dass die Sicherheit des Gerätes erhalten bleibt.
- **Warten Sie niemals beschädigte Akkus.** Sämtliche Wartung von Akkus sollte nur durch den Hersteller oder

|    |
|----|
| EN |
| FR |
| DE |
| ES |
| IT |
| NL |
| PT |
| DA |
| SV |
| FI |
| NO |
| RU |
| PL |
| CS |
| HU |
| RO |
| LV |
| LT |
| ET |
| HR |
| SL |
| SK |
| BG |
| UK |
| TR |
| EL |



bevollmächtigte Kundendienststellen erfolgen.

## SICHERHEITSHINWEISE FÜR GEHRUNGSKAPPSÄGEN

- **Gehrunksapsagen sind zum Schneiden von Holz oder holzartigen Produkten vorgesehen, sie können nicht zum Schneiden von Eisenwerkstoffen wie Stäben, Stangen, Schrauben usw. verwendet werden.** Abrasiver Staub führt zum Blockieren von beweglichen Teilen wie der unteren Schutzhaube. Schneidfunken verbrennen die untere Schutzhaube, die Einlegeplatte und andere Kunststoffteile.
- **Fixieren Sie das Werkstück nach Möglichkeit mit Zwingen.** Wenn Sie das Werkstück mit der Hand festhalten, müssen Sie Ihre Hand immer mindestens 100 mm von jeder Seite des Sägeblatts entfernt halten. Verwenden Sie diese Säge nicht zum Schneiden von Stücken, die zu klein sind, um sie einzuspannen oder mit der Hand zu halten. Wenn Ihre Hand zu nahe am Sägeblatt ist, besteht ein erhöhtes Verletzungsrisiko durch Kontakt mit dem Sägeblatt.
- **Das Werkstück muss unbeweglich sein und entweder festgespannt oder gegen den Anschlag und den Tisch gedrückt werden.** Schieben Sie das Werkstück nicht in das Sägeblatt und schneiden Sie nie „freihändig“. Lose oder sich bewegende Werkstücke könnten mit hoher Geschwindigkeit herausgeschleudert werden und zu Verletzungen führen.
- **Schieben Sie die Säge durch das Werkstück.** Vermeiden Sie es, die Säge durch das Werkstück zu ziehen. Für einen Schnitt heben Sie den Sägekopf und ziehen ihn über das Werkstück, ohne zu schneiden. Dann schalten Sie den Motor ein, schwenken den Sägekopf nach unten und drücken die Säge durch das Werkstück. Bei ziehendem Schnitt besteht die Gefahr, dass das Sägeblatt am Werkstück aufsteigt und die Sägeblatteinheit dem Bediener gewaltsam entgegengeschleudert wird.
- **Kreuzen Sie nie die Hand über die vorgesehene Schnittlinie, weder vor noch hinter dem Sägeblatt.** Abstützen des Werkstücks „mit gekreuzten Händen“, d.h. Halten des Werkstücks rechts neben dem Sägeblatt mit der linken Hand oder umgekehrt, ist sehr gefährlich.
- **Greifen Sie bei rotierendem Sägeblatt nicht hinter den Anschlag.** Unterschreiten Sie nie einen Sicherheitsabstand von 100 mm zwischen Hand und rotierendem Sägeblatt (gilt auf beiden Seiten des Sägeblatts, z. B. beim Entfernen von Holzabfällen). Die Nähe des rotierenden Sägeblatts zu Ihrer Hand ist möglicherweise nicht erkennbar, und Sie können schwer verletzt werden.
- **Prüfen Sie das Werkstück vor dem Schneiden.** Wenn das Werkstück gebogen oder verzogen ist, spannen Sie es mit der nach außen gekrümmten Seite zum Anschlag. Stellen Sie immer sicher, dass entlang der Schnittlinie kein Spalt zwischen Werkstück, Anschlag und Tisch ist. Gebogene oder verzogene Werkstücke können sich verdrehen oder verlagern und ein Klemmen des rotierenden Sägeblatts beim Schneiden verursachen. Es dürfen keine Nägel oder Fremdkörper im Werkstück sein.
- **Verwenden Sie die Säge erst, wenn der Tisch frei von Werkzeugen, Holzabfällen usw. ist; nur das Werkstück darf sich auf dem Tisch befinden.** Kleine Abfälle, lose Holzstücke oder andere Gegenstände, die mit dem rotierenden Blatt in Berührung kommen, können mit hoher Geschwindigkeit weggeschleudert werden.
- **Schneiden Sie jeweils nur ein Werkstück.** Mehrfach gestapelte Werkstücke lassen sich nicht angemessen spannen oder festhalten und können beim Sägen ein Klemmen des Blatts verursachen oder verrutschen.
- **Sorgen Sie dafür, dass die Gehrunksapsäge vor Gebrauch auf einer ebenen, festen Arbeitsfläche steht.** Eine ebene und feste Arbeitsfläche verringert die Gefahr, dass die Gehrunksapsäge instabil wird.
- **Planen Sie Ihre Arbeit.** Achten Sie bei jedem Verstellen der Sägeblattneigung oder des Gehrunkswinkels darauf, dass der verstellbare Anschlag richtig justiert ist und das Werkstück abstützt, ohne mit dem Blatt oder der Schutzhaube in Berührung zu kommen. Ohne die Maschine einzuschalten und ohne Werkstück auf dem Tisch ist eine vollständige Schnittbewegung des Sägeblatts zu simulieren, um sicherzustellen, dass es nicht zu Behinderungen oder der Gefahr des Schneidens in den Anschlag kommt.
- **Sorgen Sie bei Werkstücken, die breiter oder länger als die Tischoberseite sind, für eine angemessene Abstützung, z. B. durch Tischverlängerungen oder Sägeböcke.** Werkstücke, die länger oder breiter als der Tisch der Gehrunksapsäge sind, können kippen, wenn sie nicht fest abgestützt sind. Wenn ein abgeschnittenes Stück Holz oder das Werkstück kippt, kann es die untere Schutzhaube anheben oder unkontrolliert vom rotierenden Blatt weggeschleudert werden.
- **Ziehen Sie keine anderen Personen als Ersatz für eine Tischverlängerung oder zur zusätzlichen Abstützung heran.** Eine instabile Abstützung des Werkstücks kann zum Klemmen des Blatts führen. Auch kann sich das Werkstück während des Schnitts verschieben und Sie und den Helfer in das rotierende Blatt ziehen.
- **Das abgeschnittene Stück darf nicht gegen das rotierende Sägeblatt gedrückt werden.** Wenn wenig Platz ist, z. B. bei Verwendung von Längsanschlagen, kann sich das abgeschnittene Stück mit dem Blatt verkeilen und gewaltsam weggeschleudert werden.
- **Verwenden Sie immer eine Zwinne oder eine geeignete Vorrichtung, um Rundmaterial wie Stangen oder Rohre ordnungsgemäß abzustützen.** Stangen neigen beim Schneiden zum Wegrollen, wodurch sich das Blatt „festbeißen“ und das Werkstück mit Ihrer Hand in das Blatt gezogen werden kann.
- **Lassen Sie das Blatt die volle Drehzahl erreichen, bevor Sie in das Werkstück schneiden.** Dies verringert das Risiko, dass das Werkstück fortgeschleudert wird.
- **Wenn das Werkstück eingeklemmt wird oder das**



**Blatt blockiert, schalten Sie die Gehrungskappsäge aus. Warten Sie, bis alle beweglichen Teile zum Stillstand gekommen sind, ziehen Sie den Netzstecker und/oder nehmen Sie den Akku heraus. Entfernen Sie anschließend das eingeklemmte Material.** Wenn Sie bei einer solchen Blockierung weitersägen, kann es zum Verlust der Kontrolle oder zu Beschädigungen der Gehrungskappsäge kommen.

- **Lassen Sie nach beendetem Schnitt den Schalter los, halten Sie den Sägekopf unten und warten Sie den Stillstand des Blatts ab, bevor Sie das abgeschnittene Stück entfernen.** Es ist sehr gefährlich, mit der Hand in die Nähe des auslaufenden Blatts zu reichen.

## SICHERHEITSANWEISUNGEN FÜR DAS HOLZSÄGEBLATT

- Lesen Sie das Handbuch und die Anleitungen, bevor Sie das Sägeblatt und das Produkt verwenden.
- Das Elektrowerkzeug muss sich in einem guten Zustand befinden; die Spindel darf keine Verformungen aufweisen und nicht vibrieren.
- Verwenden Sie das Produkt nicht ohne die Schutzbleche. Halten Sie die Schutzvorrichtungen in gutem Zustand und ordentlich gewartet.
- Stellen Sie sicher, dass der Bediener in den Vorsichtsmaßnahmen, der Einstellung und dem Betrieb des Produkts geschult ist.
- Tragen Sie eine Schutzbrille und einen Gehörschutz, wenn Sie das Produkt verwenden. Schutzhandschuhe, festes und rutschsicheres Schuhwerk und Schürze werden empfohlen.
- Lesen Sie immer die Bedienungsanleitung, bevor Sie ein Zubehörteil benutzen. Der unsachgemäße Gebrauch von Zubehörteilen kann zu Schäden führen und das Verletzungspotenzial erhöhen.
- Benutzen Sie nur in dieser Bedienungsanleitung angegebene Sägeblätter die EN 847-1 erfüllen.
- Beachten Sie die auf dem Sägeblatt angezeigte maximale Drehzahl. Stellen Sie sicher, dass die auf dem Sägeblatt gekennzeichnete Drehzahl mindestens der auf der Säge gekennzeichneten Drehzahl entspricht.
- Verwenden Sie stets Sägeblätter, deren Größe und Form der entsprechen. Sägeblätter, die nicht an die Spindel angepasst sind, an der sie montiert werden, laufen nicht korrekt und können dazu führen, dass Sie die Kontrolle über Ihr Gerät verlieren.
- Benutzen Sie keine Sägeblätter mit größeren oder kleineren Durchmesser als empfohlen. Benutzen Sie keine Unterlegscheiben um das Sägeblatt an die Spindel anzupassen.
- Prüfen Sie die Spitzen des Sägeblatts vor jeder Benutzung auf Schäden und ungewöhnliches Aussehen. Beschädigte oder lose Spitzen können sich bei der Verwendung des Geräts lösen und weg geschleudert werden und damit das Verletzungsrisiko erhöhen.
- Rissige Sägeblätter oder solche, die ihre Form verändert haben, dürfen nicht verwendet werden! Keine Sägeblätter benutzen die beschädigt oder verformt

sind.

- Rangieren Sie das Sägeblatt aus, wenn es beschädigt, verformt, deformiert oder gerissen ist; es ist nicht erlaubt, es zu reparieren.
- Verwenden Sie keine HSS Klingen.
- Stellen Sie sicher, dass das Sägeblatt richtig montiert ist und ziehen Sie die Mutter vor der Verwendung fest (Anzugsdrehmoment ca. 12 -15 Nm).
- Die Schrauben und Muttern sollten mit einem geeigneten Schraubenschlüssel angezogen werden.
- Das Verlängern des Schlüssels und das Anziehen mit Hammerschlägen sind nicht erlaubt.
- Stellen Sie sicher, dass alle Sägeblätter und Flansche sauber sind und die vertiefte Seite der Manschette an dem Sägeblatt anliegen.
- Stellen Sie sicher, dass das Sägeblatt sich in die richtige Richtung dreht.
- Machen Sie einen Testdurchlauf ohne angeschalteten Motor, bevor Sie mit der Arbeit beginnen, um die Position des Sägeblattes, Funktion der Schutzvorrichtungen und das Werkstück zu überprüfen.
- Lassen Sie das Produkt nicht unbeaufsichtigt.
- Tragen Sie keine Schmiermittel auf die laufende Säge auf.
- Niemals Reinigungsarbeiten oder Wartungsarbeiten an der laufenden Maschine durchführen, und wenn der Kopf nicht in Ruheposition ist.
- Versuchen Sie niemals die Maschine anzuhalten, indem Sie ein Werkzeug oder einen anderen Gegenstand gegen das Sägeblatt klemmen, schwere Unfälle können so versehentlich verursacht werden.
- Stecken Sie das Gerät aus oder entfernen Sie den Akku, bevor Sie die Blätter wechseln oder Wartungsarbeiten durchführen.
- Seien Sie beim Ver- und Entpacken des Sägeblattes vorsichtig. Verletzungen durch die scharfen Zähne sind schnell passiert.
- Benutzen Sie eine Sägeblatthalterung oder tragen Sie Handschuhe, wenn Sie das Sägeblatt handhaben.
- Bewahren und lagern Sie das Sägeblatt in der Originalverpackung oder einer anderen geeigneten Verpackung, bewahren Sie es in trockener Umgebung und fern von Chemikalien, die das Sägeblatt beschädigen können, auf.

## ZUSÄTZLICHE SICHERHEITSWARNUNGEN

- Klemmen Sie das Werkstück immer fest und sicher.
- Sicherstellen, dass die Maschine stets einen sicheren Stand hat (z.B. befestigen an der Werkbank).
- Tragen Sie Gehörschutz. Die Einwirkung von Lärm kann Gehörverlust bewirken.
- Tragen Sie eine Schutzbrille, wenn Sie das Produkt verwenden. Wir empfehlen Handschuhe bei der Handhabung von Sägeblättern und grobem Material zu tragen, zusätzlich feste, rutschfeste Schuhe, um Ihr Füße vor Werkstücken die von dem Sägebereich fallen könnten zu schützen.
- Stecken Sie das Gerät aus oder entfernen Sie den



Akku, bevor Sie Wartungsarbeiten durchführen oder das Produkt reinigen.

- Installieren Sie den Akku nur, wenn das Produkt ausgeschaltet ist.
- Greifen Sie niemals in den Bereich des Sägeblattes, außer das Sägeblatt ist vollständig gestoppt.
- Überprüfen Sie vor der Verwendung das Produkt und den Akku gründlich auf Schäden oder Materialermüdung. Reparaturen des gesamten Produkts sollten nur von einem autorisierten Servicecenter durchgeführt werden.
- Verwenden Sie stets die Schutzabdeckung der Maschine. Benutzen Sie die Maschine nicht, wenn die Schutzabdeckungen nicht montiert sind und nicht ordnungsgemäß funktionieren.
- Der untere Sägeblattschutz sollte sich nur öffnen, wenn das Sägeblatt auf das Arbeitsstück gesenkt wird. Er muss jederzeit frei beweglich sein und sich automatisch schließen.
- Befestigen und verwenden Sie Verlängerungsschienen, um das Werkstück während des Betriebs abzustützen.
- Das Produkt und seine Funktionalität dürfen nicht geändert oder modifiziert werden. Ihre Sicherheit könnte beeinträchtigt sein.
- Benutzen Sie keine gerissene, beschädigte oder verformte Sägeblätter.
- Keine aus Schnellarbeitsstahl gefertigten Sägeblätter verwenden.
- Benutzen Sie nur scharfe Sägeblätter. Ersetzen Sie stumpfe Sägeblätter.
- Verwenden Sie immer Sägeblätter in der richtigen Größe und passend zur Form des Aufnahmeflansches. Sägeblätter, die nicht zu den Montageteilen der Säge passen, werden exzentrisch laufen und zu Kontrollverlust des Gerätes führen.
- Benutzen Sie nur in dieser Bedienungsanleitung angegebene Sägeblätter die EN 847-1 erfüllen.
- Benutzen Sie keine anderen Flansche, Unterlegscheiben und Muttern als die mitgelieferten oder in der Bedienungsanleitung angegebenen, um das Sägeblatt zu befestigen.
- Ein für den zu schneidenden Werkstoff geeignetes Sägeblatt auswählen. Verwenden Sie das Produkt nicht, um Material zu schneiden, das nicht im Abschnitt zum bestimmungsgemäßen Gebrauch in diesem Handbuch aufgeführt ist.
- Es ist wichtig, die Überhitzung des Blatts und das Schmelzen der Plastikteile während des Betriebs zu vermeiden.
- Die auf dem Sägeblatt angegebene maximale Drehzahl muss eingehalten werden. Verwenden Sie nur Sägeblätter für eine Drehzahl, die größer oder gleich der auf dem Werkzeug angegebenen Drehzahl ist.
- Ersetzen Sie die Einlegeplatte, wenn sie abgenutzt oder beschädigt ist.
- Machen Sie einen Testdurchlauf ohne angeschalteten Motor, bevor Sie mit der Arbeit beginnen, um die Position des Sägeblattes, Funktion der Schutzvorrichtungen und das Werkstück zu überprüfen.
- Wenn Sie Gehrungs-, Neigungs- oder kombinierte

Gehungsschnitte durchführen, passen Sie den Schiebeanschlag oder Unteranschlag an, um den richtigen Abstand vom Sägeblatt sicherzustellen.

- Der Handgriff muss während des Transports des Produkts eingerastet sein.
- Halten Sie den Boden frei von losem Material, z. B. Späne und Abfall.
- Keine Sägereise oder andere Teile von Werkstücken aus dem Sägebereich entfernen wenn die Maschine läuft und der Sägekopf nicht in der Ruhestellung ist.
- Lange Werkstück sind geeignet abzustützen. Der Arbeitsbereich der Säge beinhaltet das gesamte Ausmaß des Werkstücks. Der Benutzer sollte diesen Bereich vor versehentlichem Kontakt durch andere Personen oder Gegenstände, die das Werkstück während des Betriebs bewegen könnten, schützen.
- Der beim Einsatz des Produktes anfallende Staub kann gesundheitsschädlich sein. Benutzen Sie ein System zur Staubabsaugung und tragen Sie eine geeignete Staubschutzmaske. Entfernen Sie gründlich den abgelagerten Staub, z. B. mit einem Staubsauger.
- Ersetzen Sie den Laser nicht mit einem anderen Typ. Reparaturen dürfen nur vom Hersteller oder vom autorisierten Kundendienst durchgeführt werden.
- Der Umgebungstemperaturbereich für das Werkzeug während des Betriebs liegt zwischen 0 °C und 40 °C.
- Der Umgebungstemperaturbereich für die Lagerung des Werkzeugs liegt zwischen 0 °C und 40 °C.
- Der empfohlene Umgebungstemperaturbereich für das Ladesystem während des Ladevorgangs liegt zwischen 10 °C und 38 °C.

#### TRANSPORT VON LITHIUM AKKUS

Transportieren Sie den Akku gemäß Ihren örtlichen und nationalen Bestimmungen und Regeln.

Befolgen Sie alle besonderen Anforderungen für Verpackung und Beschriftung, wenn Sie Akkus von Dritten transportieren lassen. Stellen Sie sicher, dass beim Transport kein Akku in Kontakt mit anderen Akkus oder leitenden Materialien kommt, indem Sie die freien Anschlüsse mit Isolierband, nichtleitenden Kappen oder Klebeband schützen. Beschädigte oder auslaufende Akkus dürfen nicht transportiert werden. Befragen Sie Ihre Transportfirma nach weiteren Informationen.

#### WEITERE SICHERHEITSHINWEISE ZUM AKKU

##### WARNUNG

Um die durch einen Kurzschluss verursachte Gefahr eines Brandes, von Verletzungen oder Produktbeschädigungen zu vermeiden, tauchen Sie das Werkzeug, den Wechselakku oder das Ladegerät nicht in Flüssigkeiten ein und sorgen Sie dafür, dass keine Flüssigkeiten in die Geräte und Akkus eindringen. Korrodierende oder leitfähige Flüssigkeiten, wie Salzwasser, bestimmte Chemikalien und Bleichmittel oder Produkte, die Bleichmittel enthalten, können einen Kurzschluss verursachen.

- Der Umgebungstemperaturbereich für die Batterie während des Gebrauchs liegt zwischen 0 °C und 40 °C.
- Der Umgebungstemperaturbereich für die Lagerung der Batterie liegt zwischen 0 °C und 20 °C.

### SICHERHEITSHINWEISE LASER

- Die in der Säge verwendete Laserführung besteht aus einem Klasse 2 Laser mit maximal  $\leq 1\text{mW}$  und 650nm Wellenlänge. Nicht in den Strahl blicken. Nichteinhaltung dieser Sicherheitshinweise können zu ersten Verletzungen führen.
- Blicken Sie beim Betrieb nicht direkt in den Strahl.
- Richten Sie den Laserstrahl nicht direkt in die Augen von anderen Personen. Dies kann zu schweren Augenverletzungen führen.
- Bringen Sie den Laser nicht in eine Position, die dazu führen könnte, dass eine Person absichtlich, oder unbeabsichtigt in den Laserstrahl schaut.
- Benutzen Sie keine optischen Geräte um den Laserstrahl zu betrachten.
- Benutzen Sie den Laser nicht in der Nähe von Kindern und erlauben Sie Kindern nicht, den Laser zu benutzen.
- Versuchen Sie nicht den Laser selber zu reparieren.
- Versuchen Sie nicht, irgendein Teil des Lasergerätes selber zu wechseln.
- Alle Reparaturen dürfen nur von dem Hersteller des Lasers oder einem autorisierten Kundendienst durchgeführt werden.
- Ersetzen Sie den Laser nicht mit einem anderen Typ.

### RESTRISIKEN

Sogar wenn das Produkt wie vorgeschrieben benutzt wird, ist es unmöglich ein gewisses Restrisiko vollständig auszuschließen. Die folgenden Gefahren können bei der Benutzung entstehen, und der Benutzer sollte besonders auf folgende Punkte achten:

- Gefahr von Kontakt mit freiliegenden Teilen des sich drehenden Sägeblattes.
- Rückschlag von Werkstücken und Teilen von Werkstücken aufgrund von falscher Handhabung.
- Schleudern von fehlerhaften Hartmetallsitzen von dem Sägeblatt.
- Verletzung der Atemwege.

**HINWEIS:** Tragen Sie eine für das zu bearbeitende Material geeignete Atemschutzmaske mit Filter. Sorgen Sie für ausreichende Belüftung des Arbeitsbereichs. Essen, trinken oder rauchen Sie nicht in dem Arbeitsbereich.

- Schäden am Gehör, wenn ein wirksamer Gehörschutz nicht getragen wird.

### ⚠️ WARNUNG

Staub von bestimmten Farben, Beschichtungen und Materialien können Irritationen oder allergische Reaktionen der Atemwege verursachen. Staub von Holz wie Eiche, Buche, Faserstoffplatten und anderen kann krebserregend sein. Asbesthaltige Materialien dürfen nur von qualifizierten Spezialisten bearbeitet oder verarbeitet werden.

### ⚠️ WARNUNG

Verletzungen können durch lange Benutzung eines Werkzeugs entstehen oder verschlimmert werden. Machen Sie regelmäßig Pause, wenn Sie ein Werkzeug für lange Zeit benutzen.

### MACHEN SIE SICH MIT IHREM PRODUKT VERTRAUT

Siehe Seite 215.

1. Handgriff, isolierte Grifffläche
2. Netzschalter
3. Sicherheitssperrgriff
4. Oberer Sägeblattschutz
5. Sägeblatt
6. Unterer Sägeblattschutz
7. Hauptanschlag
8. Drehtisch
9. Basisplatte
10. Tischeinsatz
11. Verriegelungsgriff für Drehteller
12. Ausgleichsfuß
13. Kippschutz
14. Laserschalter
15. Oberer Griff, isolierte Grifffläche
16. Flansch
17. Anschlag
18. Neigungswinkel-Klemmung
19. Klemme
20. Verschiebbarer Anschlag
21. Befestigungsloch
22. Verlängerungsschiene
23. Schrauben zum Verriegeln des Hauptanschlags
24. Knopf Spindel-Arretierung
25. Akku
26. Staubauffangeinrichtung
27. Einstellknopf für Schnitttiefe
28. Anschlag für maximale Schnitttiefe
29. Feststellschraube Schiebefunktion
30. Schrauben zur Einstellung der Gehrungsanschlags
31. Sechskantschlüssel

### BETRIEB

Das Produkt ist durch ein sich drehendes Sägeblatt gekennzeichnet, das von dem Benutzer in verschiedenen Winkeln eingestellt werden kann, um ein Werkstück zu sägen das sicher auf der Basisplatte befestigt ist. Es darf nur von einer Person bedient werden, um versehentlichen Kontakt mit dem Sägeblatt zu verhindern.

Die Prinzipien der sicheren Bedienung des Produktes sind wie folgt:



- Halten Sie die Säge, Sägeblätter und den Arbeitsbereich in gutem Zustand.
- Befestigen Sie die Gehrungskappsäge an einer stabilen Werkbank. Das Produkt kann sich bewegen oder umfallen, wenn es nicht ausreichend gesichert ist.
- Stellen Sie den Sägewinkel und die Tiefe ein und verriegeln sie, bevor Sie den Schnitt durchführen.
- Befestigen Sie das Werkstück auf der Basisplatte der Gehrungskappsäge. Benutzen Sie die mitgelieferte Klemme und, wo erforderlich, zusätzliche Klemmen oder Haltemechanismen, um versehentliche Bewegung des Werkstücks beim Sägen zu verhindern.
  - Überprüfen Sie, dass die Funktion des Sägeblattschutzes nicht durch die Position des Werkstücks beeinträchtigt ist.
  - Stellen Sie sicher, dass der Anschlag und andere Teile des Produktes nicht angesägt werden, wenn das Sägeblatt in die Sägeposition abgesenkt wird.
- Starten Sie den Motor und lassen das Sägeblatt die volle Drehzahl erreichen, bevor sie es langsam zum Sägen auf das Werkstück senken. Schieben Sie die Sägeblatteinheit nach hinten, um den Schnitt zu beenden.
- Lassen Sie die Sägeblatteinheit in die obere Position ansteigen, in der Sägeblattschutz vollständig geschlossen ist. Schalten Sie den Motor aus und lassen das Sägeblatt vollständig stoppen, bevor Sie das Werkstück oder Reststücke entfernen oder in den Bereich des Sägeblattes greifen.

Stellen Sie vor jeder Benutzung sicher, dass der am Gerät eingestellte Winkel mit dem gewünschten Winkel auf dem Werkstück übereinstimmt. Überprüfen Sie das an einem Stück Restholz mit einem Schreinerwinkel oder Gehrungswinkel.

#### **⚠ WARNUNG**

Der Hersteller rät dringend, dass das Produkt immer sicher auf einer Arbeitsplatte befestigt ist.

Wenn der Sockel des Produktes mit vier Muttern, Schrauben und Unterlegscheiben, wie angewiesen, fest an einer Tischplatte befestigt ist, kann das Produkt bei maximaler Winkeleinstellung und Gehrungseinstellung verwendet werden, ohne dass es umkippen kann. Wenn das Produkt nicht sicher befestigt ist, kann das Produkt aus dem Gleichgewicht geraten, wenn große Winkel gewählt werden.

An der Vorderseite des Sockels der Gehrungssäge befindet sich eine Verlängerungsschiene, die so weit wie möglich herausgezogen sein sollte. All das wird helfen, dass die Gehrungskappsäge nicht aus dem Gleichgewicht gerät.

Es gibt auch eine verstellbare Schraube (Ausgleichsfuß), die sich auf der Unterseite des Drehtellers befindet. Diese Schraube sollte so eingestellt sein, dass sie den flachen Untergrund auf dem das Produkt steht berührt. Dadurch wird auch verhindert, dass das Produkt aus dem Gleichgewicht gerät, wenn die volle Länge der Schiene und Gehrung benutzt wird. Achten Sie darauf, dass dieser Teil der Säge sich bewegt, wenn verschiedene Gehrungswinkel gewählt werden, sodass die Schraube oft eingestellt und

zurückgestellt werden muss.

### **WARTUNG UND PFLEGE**

- Verändern Sie das Produkt nicht auf irgendeine Weise oder verwenden Zubehör das nicht vom Hersteller empfohlen ist. Ihre Sicherheit und die anderer könnte beeinträchtigt sein.
- Benutzen Sie das Produkt nicht, wenn irgendwelche Schalter oder andere Funktionen nicht wie vorgesehen funktionieren. An einen autorisierten Kundendienst zur professionellen Reparatur oder Einstellung zurückgeben.
- Nehmen Sie keine Einstellungen vor, während die Säge in Bewegung ist.
- Stellen Sie sicher, dass der Akku aus dem Produkt entfernt wurde, bevor Sie Einstellungen vornehmen, das Produkt schmieren oder Wartungsarbeiten am Produkt durchführen.
- Überprüfen Sie das Produkt vor und nach jeder Benutzung auf Schäden und beschädigte Teile. Halten Sie das Produkt in optimalem Betriebszustand, indem sie Teile sofort mit vom Hersteller empfohlenen Ersatzteilen ersetzen.
- Das Sägeblatt hat scharfe Kanten und kann nach dem Schneiden auch erhitzt sein. Seien Sie beim Reinigen freiliegender Sägeblätter extrem vorsichtig. Tragen Sie Handschuhe, um sich vor Verletzungen zu schützen.
- Stauben Sie die Säge und das Zubehör regelmäßig ab, insbesondere die beweglichen Teile wie den Sägeblattschutz. Entfernen Sie Staub mit einer Handbürste oder einem Staubsauger. Nutzen Sie keine Druckluft.
- Alle Reparaturen, einschließlich dem Wechseln der Bürsten, sollten zur besseren Sicherheit und Zuverlässigkeit von einem autorisierten Kundendienst durchgeführt werden.

#### **⚠ WARNUNG**

Versuchen Sie nicht, den Sägeblattschutz zu demontieren, um ihn zu reinigen oder zu reparieren. Beschädigter Sägeblattschutz darf nicht verwendet werden. Bringen Sie diese zur Reparatur oder zum Austausch zu einem autorisierten Servicecenter.

#### **⚠ WARNUNG**

Alle Reparaturen sollten zur besseren Sicherheit und Zuverlässigkeit von einem autorisierten Kundendienst durchgeführt werden.

#### **Einstellung des Gehrungsschnitt- und Fasenwinkels**

Wenn der Gehrungsschnitt- und Fasenwinkel eingestellt werden muss, folgen Sie den Anweisungen auf den Seiten 236 bis 242.

#### **Anschlag für maximale Schnitttiefe**

Der Anschlag für die maximale Schnitttiefe verhindert, dass das Sägeblatt in den Metallsockel des Gerätes sägt.





**⚠️ WARNUNG**  
Der Anschlag für die maximale Schnitttiefe ist nicht durch den Benutzer einstellbar. Verstellen Sie den Anschlag für die maximale Schnitttiefe nicht.

**TRANSPORT UND AUFBEWAHRUNG**

- Entfernen Sie den Akku, wenn Sie das Produkt einlagern. Lagern Sie das Produkt an einem sicheren Ort, der für Kinder nicht zugänglich ist.
- Reinigen Sie das Produkt mit einer Bürste und einem Staubsauger, bevor Sie es einlagern.
- Wenn Sie das Sägeblatt entfernen oder Ersatz-Sägeblätter mit dem Gerät aufbewahren, stellen Sie sicher, dass sie in der Originalverpackung sind, um Verletzungen zu verhindern.

**Zum Sichern des Produktes vor der Bewegung:**

- Das Produkt sollte mit dem auf Null gestellten Gehrungswinkel und in verriegelter Position gelagert werden. Der Schlitten muss verriegelt sein. Der Griff muss in der unteren (sicheren) Position, mit geschlossenen Schutzabdeckungen, verriegelt sein.
- Für den einfachen Transport können Sie beide Seiten der Verlängerungsschienen entfernen.

**Bewegen oder Transport in einem Fahrzeug:**

- Befestigen Sie das Produkt wie in der Bedienungsanleitung beschrieben, bevor es bewegt wird.
- Entfernen Sie das Produkt von der Arbeitsplatte, indem Sie die vier Schrauben, eine an jeder Ecke, lösen. Verstauen Sie die Schrauben für zukünftige Verwendung. Heben Sie das Produkt an dem oberen Griff hoch.
- Beim Anheben sind zwei Personen mit Schutzhandschuhen erforderlich, um den Sockel des Produktes zu heben.
- Stellen sie das Produkt beim Transport in einem Fahrzeug auf seine Basisplatte und sichern es vor Bewegung.

**UMWELTSCHUTZ**



Recyceln Sie die Rohstoffe, anstatt sie im Haushaltsabfall zu entsorgen. Zum Schutz der Umwelt müssen das Gerät, die Zubehörteile und die Verpackungen getrennt entsorgt werden.

**SYMBOLS AUF DEM PRODUKT**



Sicherheitswarnung



CE Konformität



EurAsian Konformitätszeichen



Ukrainisches Prüfzeichen



Bitte lesen Sie die Anweisungen sorgfältig, bevor Sie das Gerät einschalten.



Gehörschutz tragen



Tragen Sie immer Augenschutz!



Halten Sie Hände vom Schnittbereich und dem Sägeblatt fern!



Nicht Regen aussetzen, oder an feuchten Orten verwenden!



Tragen Sie Sicherheitshandschuhe



Blattdrehrichtung (auf dem Sägeblatt angezeigt)



Drehrichtung des Sägeblattes (markiert auf dem Sägeblattschutz)



Blattbreite des Schnitts (Sägeschnitt)



Anzahl der Sägezähne auf dem Blatt



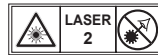
Schnittleistung



Zum Sägen von Holz und ähnlichem Material



Nicht zum Sägen von Metall



Laserstrahlung. Blicken Sie nicht in den Laserstrahl. Klasse 2 Laserprodukt



Elektrische Geräte sollten nicht mit dem übrigen Müll entsorgt werden. Bitte entsorgen Sie diese an den entsprechenden Entsorgungsstellen. Wenden Sie sich an die örtliche Behörde oder Ihren Händler, um Auskunft über die Entsorgung zu erhalten.

## SYMBOLS IN DER BEDIENUNGSANLEITUNG



Sperren



Öffnen



Verriegelungsmechanismus funktioniert nicht



Teile oder Zubehör getrennt erhältlich



Hinweis



Warnung

Mit den folgenden Symbolen wird die Bedeutung der verschiedenen Risikostufen, die mit dem Produkt einhergehen, dargestellt.

### **GEFAHR**

Bezeichnet eine unmittelbare Gefahrensituation, die, falls nicht vermieden, zum Tode oder schweren Verletzungen führen kann.

### **WARNUNG**

Bezeichnet eine mögliche Gefahrensituation, die, falls nicht vermieden, zum Tode oder schweren Verletzungen führen kann.

### **ACHTUNG**

Bezeichnet eine mögliche Gefahrensituation, die, falls nicht vermieden, zu kleineren und mittleren Verletzungen führen kann.

### **ACHTUNG**

(Ohne Warnsymbol) weist auf eine Situation hin, die zu Sachschaden führen kann.



|           |
|-----------|
| EN        |
| FR        |
| DE        |
| <b>ES</b> |
| IT        |
| NL        |
| PT        |
| DA        |
| SV        |
| FI        |
| NO        |
| RU        |
| PL        |
| CS        |
| HU        |
| RO        |
| LV        |
| LT        |
| ET        |
| HR        |
| SL        |
| SK        |
| BG        |
| UK        |
| TR        |
| EL        |

La seguridad, el rendimiento y la fiabilidad han sido las máximas prioridades a la hora de diseñar esta sierra ingletadora.

### USO PREVISTO

La sierra ingletadora tiene como uso previsto el serrado de madera maciza y aglomerados, materiales similares a la madera, con o sin chapado exterior, y plásticos.

El producto debe ser utilizado por usuarios adultos que hayan leído el manual de instrucciones y que comprendan los riesgos y peligros asociados al uso de este producto.

Este producto se ha diseñado para poder fijar su base a un banco de trabajo sólido. Si la base no está firmemente fijada, toda la máquina puede moverse durante las operaciones de corte, lo que aumenta la posibilidad de sufrir lesiones personales graves.

El producto está diseñado para hacer cortes oblicuos y en inglete. La capacidad para realizar los diferentes tipos de corte viene indicada en las especificaciones del producto incluidas en este manual.

Este producto se debe utilizar en condiciones secas, con una iluminación ambiental excelente y una ventilación adecuada.

El producto está diseñado para uso doméstico y solo debe utilizarse tal como se describe anteriormente y no para otros fines.

### INSTRUCCIONES GENERALES DE SEGURIDAD DE LA HERRAMIENTA

#### ⚠ ADVERTENCIA

**Lea atentamente todas las advertencias, instrucciones y especificaciones suministradas con la herramienta, y consulte las ilustraciones.**

El incumplimiento de las instrucciones que se indican a continuación puede ocasionar diversos accidentes como incendios, descargas eléctricas y/o graves heridas corporales.

**Guarde todas estas advertencias e instrucciones para futuras referencias.** El término "herramienta eléctrica" incluido en las advertencias hace referencia a su herramienta eléctrica conectada a la red eléctrica (con cable) o a su herramienta eléctrica alimentada con batería (inalámbrica).

#### SEGURIDAD EN EL ÁREA DE TRABAJO

- **Mantenga el área de trabajo limpia y bien iluminada.** Las zonas oscuras o poco despejadas pueden provocar accidentes.
- **No utilice herramientas eléctricas en atmósferas explosivas, como en presencia de gases, polvos o líquidos inflamables.** Las herramientas eléctricas producen chispas que pueden inflamar el polvo o humos.
- **Mantenga a los niños y personas ajenas alejadas de la zona en la que está utilizando la herramienta eléctrica.** Las distracciones pueden hacerle perder el control de la unidad.

#### SEGURIDAD ELÉCTRICA

- **Las conexiones de la herramienta eléctrica deben corresponder a los de la toma de corriente. No modifique el enchufe de ninguna manera. No utilice ningún adaptador con herramientas eléctricas conectadas a tierra.** Utilizar enchufes sin modificar y tomas correspondientes reducirán el riesgo de descargas eléctricas.
- **Evite el contacto corporal con superficies conectadas a tierra, como tuberías, radiadores, estufas y refrigeradores.** Existe un mayor riesgo de descargas eléctricas si su cuerpo está conectado a tierra.
- **No exponga las herramientas eléctricas a la lluvia o a la humedad.** Si entra agua en una herramienta eléctrica aumentará el riesgo de descargas eléctricas.
- **Utilice correctamente el cable. No utilice el cable para llevar, tirar o desconectar el cable de la herramienta. Mantenga el cable alejado del calor, aceite, de los bordes afilados y de partes móviles.** Los cables dañados o enredados aumentan el riesgo de descargas eléctricas.
- **A la hora de utilizar herramientas eléctricas al aire libre, utilice un alargador adecuado para uso en exteriores.** El uso de un cable adecuado para uso en exteriores reduce el riesgo de descargas eléctricas.
- **Si es inevitable utilizar una herramienta eléctrica en un lugar húmedo, utilice un dispositivo de corriente residual (RCD) como protección.** El uso de un RCD reduce el riesgo de descargas eléctricas.

#### SEGURIDAD PERSONAL

- **Manténgase alerta y preste atención a lo que está haciendo; utilice el sentido común cuando utilice una herramienta. No use la herramienta cuando esté cansado o bajo la influencia de drogas, alcohol o medicamentos.** Un momento de distracción mientras utiliza herramientas eléctricas puede resultar en lesiones personales graves.
- **Use el equipo de protección personal. Utilice siempre gafas de protección.** El equipo de protección como la máscara antipolvo, los zapatos de seguridad antideslizantes, el casco o la protección auditiva utilizados para trabajar en las condiciones adecuadas reducirá los daños personales.
- **Evite el arranque accidental de la herramienta. Asegúrese de que el interruptor está en la posición de apagado antes de conectar el producto a una fuente de alimentación a la batería, de cogerlo o de transportarlo.** Transportar las herramientas eléctricas con el dedo en el interruptor o alimentarlas con el interruptor encendido puede provocar accidentes.
- **Extraiga cualquier llave de ajuste antes de encender la herramienta eléctrica.** Una llave que se encuentra conectada a una pieza de rotación puede resultar en lesiones personales.
- **No realice sobreesfuerzos. Mantenga un equilibrio adecuado en todo momento.** Esto permite un mejor control de la herramienta eléctrica en situaciones inesperadas.





- **Vístase adecuadamente. No utilice ropa holgada ni joyas. No acerque el pelo ni la ropa a las piezas móviles.** La ropa suelta, joyas o el cabello largo pueden quedar atrapados en las piezas móviles.
- **Si se proporcionan dispositivos para conectar la extracción de polvo y las instalaciones de recogida, asegúrese de que están conectados y se utilizan correctamente.** La recogida de polvo puede reducir los riesgos relacionados con él.
- **Aunque se familiarice con el uso de la herramienta, no se relaje e ignore los principios de seguridad.** Descuidarse puede provocar daños graves en una fracción de segundo.

## USO Y CUIDADO DE LA HERRAMIENTA ELÉCTRICA

- **No fuerce la herramienta. Use el producto adecuado para su aplicación.** El producto adecuado funcionará mejor y de forma más segura en el ámbito para el que está diseñado.
- **No utilice la herramienta eléctrica si el interruptor de encendido no responde.** Cualquier herramienta que no puede ser controlada con el interruptor de encendido es peligrosa y debe ser reparada.
- **Desconecte el enchufe de la fuente de alimentación y/o quite la batería, si es extraíble, de la herramienta eléctrica antes de realizar ningún ajuste, cambiar los accesorios o guardar las herramientas eléctricas.** Tales medidas de seguridad preventivas reducen el riesgo de encender el producto accidentalmente.
- **Coloque las herramientas eléctricas a ralenti fuera del alcance de los niños y no permita que personas no familiarizadas con la herramienta o con estas instrucciones la utilicen.** Las herramientas eléctricas son peligrosas en manos de personas no capacitadas.
- **Conserve las herramientas eléctricas y los accesorios. Verifique que las piezas móviles estén alineadas y bien sujetas, que no haya piezas rotas y que no haya cualquier otro problema que pueda afectar el funcionamiento de la herramienta. Si está dañada, lleve la herramienta al servicio técnico autorizado antes de usarla.** Muchos accidentes son causados por herramientas que no han recibido un mantenimiento adecuado.
- **Mantenga las herramientas de corte afiladas y limpias.** Si se mantienen correctamente las herramientas de corte con los bordes afilados, es menos probable que se atasquen y se controlan con más facilidad.
- **Use el producto, accesorios y piezas de la herramienta, etc., de acuerdo con estas instrucciones, teniendo en cuenta las condiciones laborales y el trabajo que se ha de llevar a cabo.** Utilizar la herramienta eléctrica para realizar trabajos diferentes a los que esta herramienta está destinada podría dar como resultado una situación peligrosa.
- **Mantenga las asas y las superficies de agarre secas, limpias y sin aceite ni grasa.** Las asas resbaladizas y las superficies de agarre no permiten manejar y controlar con seguridad la herramienta en situaciones inesperadas.

## USO Y CUIDADO DE LA BATERÍA

- **Recárguela únicamente con el cargador especificado por el fabricante.** Podría provocar un riesgo de incendio si utiliza un cargador con una batería para la que no está diseñado.
- **Utilice herramientas eléctricas con baterías especialmente diseñadas.** El uso de cualquier otra batería puede generar un riesgo de lesiones y fuego.
- **Cuando la batería no está en uso, manténgala alejada de otros objetos metálicos como clips, monedas, llaves, clavos, tornillos u otros objetos metálicos pequeños que puedan crear una conexión desde una terminal a otra.** Un cortocircuito de las terminales de la batería puede provocar quemaduras o fuego.
- **En condiciones indebidas, puede salir líquido de la batería. Evite su contacto. Si se produce un contacto accidental, enjuáguese con agua. Si el líquido entra en contacto con los ojos, busque ayuda médica adicional.** El líquido expulsado de la batería puede provocar irritaciones o quemaduras.
- **No utilice un paquete de baterías o una herramienta que esté dañado o modificado.** Las baterías dañadas o modificadas pueden presentar un comportamiento impredecible y provocar fuego, explosión o riesgo de lesión.
- **No exponga el paquete de baterías o la herramienta al fuego o a temperaturas excesivas.** La exposición al fuego o a una temperatura excesiva superior a 130 °C puede provocar una explosión.
- **Siga todas las instrucciones de carga y no cargue el paquete de baterías o la herramienta fuera del rango de temperatura especificado en las instrucciones.** La carga inadecuada o a temperaturas fuera del rango especificado puede dañar la batería e incrementar el riesgo de fuego.

## MANTENIMIENTO

- **Su herramienta eléctrica debería ser reparada por personas cualificadas, que deberían utilizar únicamente piezas de repuesto idénticas.** Esto garantizará la seguridad a la hora de utilizar la herramienta eléctrica.
- **Nunca arregle baterías dañadas.** Solo el fabricante o proveedores homologados deberían reparar las baterías.

## INSTRUCCIONES DE SEGURIDAD PARA SIERRAS INGLETADORAS

- **Las sierras ingletadoras están diseñadas para cortar madera o productos similares, no se pueden utilizar con discos de corte abrasivos para cortar materiales ferrosos como barras, varillas, pernos, etc.** El polvo abrasivo provoca que las piezas móviles como la protección inferior se atasquen. Las chispas que surgen de los cortes abrasivos quemarán la protección inferior, el hueco para el corte y otras piezas de plástico.
- **Siempre que pueda, utilice pinzas para sujetar la pieza de trabajo. Si sujeta la pieza con la mano,**





colóquela al menos a 100 mm de distancia de cada lado de la cuchilla de la sierra. No utilice esta sierra para cortar trozos demasiado pequeños como para fijarlos o sujetarlos con la mano con seguridad. Si tiene la mano demasiado cerca de la cuchilla de la sierra, hay un creciente riesgo de lesión por contacto.

- **La pieza debe estar fija y enganchada o sujeta contra el tope y la mesa. No meta la pieza en la cuchilla ni corte "a mano alzada" en ningún caso.** Las piezas descontroladas o móviles pueden salir despedidas a velocidades elevadas, provocando lesiones.
- **Empuje la sierra en la pieza. No tire de la sierra desde la pieza. Para hacer un corte, levante el cabezal de la sierra y sáquelo de la pieza sin cortar, encienda el motor, apriete el cabezal de la sierra y empuje la sierra en la pieza.** Si se corta empujando hacia afuera, es probable que el filo de la sierra salte sobre la pieza y la hoja salga violentamente despedida hacia el operario.
- **Nunca cruce la mano por la línea prevista de corte o por delante o detrás de la cuchilla de la sierra.** Sujetar la pieza con las "manos cruzadas", p. ej., sujetando la pieza a la derecha de la cuchilla de la sierra con la mano izquierda o viceversa es muy peligroso.
- **No meta ninguna de las manos por detrás del tope, a menos de 100 mm de cada lado de la cuchilla de la sierra, para quitar pedazos de madera o por cualquier otro motivo, cuando la hoja está girando.** La proximidad de su mano a la cuchilla de la sierra girando quizá no sea tan obvia y podría herirse gravemente.
- **Analice la pieza antes de cortarla. Si la pieza está arqueada o deformada, sujétela con el lado arqueado hacia el tope. Asegúrese siempre de que no hay huecos entre la pieza, el tope y la mesa a lo largo de la línea de corte.** Las piezas dobladas o deformadas se pueden girar o mover y provocar que se atasque la cuchilla giratoria de la sierra al cortar. No debería haber clavos ni objetos extraños en la pieza.
- **No use la sierra hasta que la mesa esté despejada de herramientas, trozos de madera, etc., de manera que solo esté la pieza.** Residuos pequeños o piezas sueltas de madera u otros objetos que están en contacto con la cuchilla giratoria pueden salir despedidos a alta velocidad.
- **Corte solo una pieza a la vez.** Si se apilan varias piezas, no podrán sujetarse o asegurarse correctamente y podrían atascarse en la cuchilla o moverse durante el corte.
- **Asegúrese de que la sierra ingletadora está montada o colocada en una superficie de trabajo firme y nivelada antes de su uso.** Una superficie de trabajo firme y nivelada reduce el riesgo de que la sierra ingletadora esté inestable.
- **Planifique su trabajo. Cada vez que cambie los ajustes de ángulo de bisel e inglete, asegúrese de que el tope ajustable está colocado correctamente para sujetar la pieza y que no interferirá con la cuchilla ni el sistema de protección.** Sin

"ENCENDER" la herramienta y sin piezas en la mesa, desplace la cuchilla de la sierra por un corte completo simulado para asegurarse de que no interfiere ni hay peligro de cortar el tope.

- **Proporcione un soporte adecuado como extensiones de mesa, caballetes, etc., para una pieza que sea más ancha o más larga que la encimera.** Si las piezas son más largas o más anchas que la mesa de la sierra ingletadora, se pueden volcar si no se sujetan de manera segura. Si la pieza de corte vuelca, podría levantar la protección inferior o salir lanzada por la cuchilla giratoria.
- **No utilice a otra persona como sustituta de una extensión de mesa ni como soporte adicional.** Si la pieza se sujeta de manera inestable, la cuchilla puede atascarse o la pieza puede moverse durante la operación de corte, empujándole a su ayudante y a usted a la cuchilla giratoria.
- **La pieza de corte no debe quedarse atascada ni empujada en ningún caso contra la cuchilla giratoria de la sierra.** Si se limita, p. ej. con otros topes, la pieza de corta podría quedarse atrapada contra la cuchilla y salir despedida violentamente.
- **Utilice siempre una pinza o una fijación diseñados para sujetar correctamente material curvo como cilindros varillas o tubos.** Las varillas tienen tendencia a rodar al cortarse, lo que provoca que la cuchilla "muerta", así que empuje la pieza con la mano hacia la cuchilla.
- **Deje que la cuchilla alcance la velocidad total antes de entrar en contacto con la pieza.** Esto reducirá el riesgo de que la pieza salga despedida.
- **Si la pieza de trabajo o el disco de sierra se atascan, apague la sierra ingletadora. Espere a que todas las piezas móviles se detengan y desconecte el enchufe de la fuente de alimentación y/o retire la batería. A continuación, libere el material atascado.** Si se sigue serrando con una pieza atascada, podría perderse el control o dañarse la sierra ingletadora.
- **Al acabar el corte, suelte el interruptor, sujete el cabezal de la sierra y espere a que la cuchilla se detenga antes de quitar la pieza de corte.** Acercar la mano a la cuchilla que sigue girando es peligroso.

#### ADVERTENCIAS DE SEGURIDAD PARA HOJA DE SIERRA DE MADERA

- Lea el manual y las instrucciones atentamente antes de usar la cuchilla de la sierra y el producto.
- La herramienta eléctrica debe encontrarse en buen estado, y el eje no debe mostrar deformaciones ni vibración.
- No utilice el producto sin las protecciones en su sitio. Conserve as guardas em bom estado de funcionamento e manutenção.
- Asegúrese de que el operario esté adecuadamente formado en precauciones de seguridad, ajustes y funcionamiento del producto.
- Lleve siempre gafas y protección auditiva al utilizar el producto. Se recomienda utilizar guantes, calzado pesado antideslizante y delantal.





- Antes de utilizar cualquier accesorio, consulte el manual de instrucciones. El uso inadecuado de un accesorio puede causar daños y aumentar la posibilidad de lesiones.
- Use solamente hojas especificadas en este manual, según EN 847-1.
- Observe la velocidad máxima marcada en la lámina de la sierra. Asegure que a velocidad indicada no disco da serra é pelo menos igual à velocidade indicada na serra.
- Utilice hojas de tamaño y forma adecuados al diámetro interior del eje. Unas hojas que no se adaptan al eje en el que se deben montar no girarán correctamente y provocarán una pérdida de control.
- No utilice láminas de diámetro mayor o más pequeño que el recomendado. No utilice ningún espaciador para encajar la lámina en el eje.
- Compruebe rastros de daños o aspecto anormal en el disco de sierra antes de cada uso. Los rastros de daño u holgura pueden causar el lanzamiento de objetos durante su uso y aumentar las probabilidades de lesiones personales.
- No usar discos de corte rotos o defectuosos. No use hojas de sierra dañadas o deformadas.
- Deseche el disco de sierra si está dañado, deformado, torcido o agrietado; queda prohibida su reparación.
- No utilice láminas HSS.
- Asegúrese de que la cuchilla de la sierra está montada correctamente, apriete la tuerca del árbol firmemente antes de su uso (par de apriete de aprox. 12-15 Nm).
- Las tuercas y tornillos de fijación se tienen que apretar con la llave adecuada, etc.
- Queda prohibido el uso de prolongaciones de llave o apretar con golpes de martillo.
- Compruebe que la lámina y las bridas están limpias y los lados encajados del aro están contra la lámina.
- Compruebe que la lámina gira en la dirección correcta.
- Antes de empezar a trabajar, haga un corte de prueba con el motor apagado para comprobar la posición de la lámina, el funcionamiento de las protecciones con respecto a otras piezas de la máquina y la pieza de trabajo.
- Nunca deje el producto sin supervisión.
- No aplique lubricantes en la hoja cuando esté en funcionamiento.
- Nunca realice ningún trabajo de limpieza o de mantenimiento cuando la máquina se encuentra aún en funcionamiento y si la cabeza no está en la posición de descanso.
- Nunca intente parar una máquina en movimiento repentinamente enclavando una herramienta u otros medios contra la lámina pues de este modo podrá causar accidentes graves sin intención.
- Desconecte el producto de la toma de corriente o retire la batería antes de cambiar los discos de sierra o de realizar tareas de mantenimiento.
- Tenga cuidado a la hora de embalar y desembalar la hoja: es fácil lesionarse con sus afiladas puntas.

- Utilice un porta-hojas o póngase guantes para manipular la hoja de sierra.
- Guarde y almacene la hoja en su embalaje original o en otro adecuado. Consérvelo en un lugar seco y alejado de productos químicos que puedan dañar la hoja.

#### AVISOS DE SEGURIDAD ADICIONALES

- Sujete siempre la pieza de trabajo con seguridad y firmeza.
- Asegúrese de que la máquina se encuentre siempre en una posición segura (p. ej. sujetarla en el banco de trabajo).
- Utilice protección auditiva! La exposición a niveles de ruido excesivos puede causar pérdida de audición.
- Lleve siempre gafas de seguridad al utilizar el producto. Se recomienda utilizar guantes para manejar las hojas y el material en bruto, además de zapatos antideslizantes resistentes para proteger los pies de las piezas de trabajo que puedan caer de la zona de corte.
- Desconecte el producto de la toma de corriente o retire la batería antes de realizar ninguna tarea de mantenimiento ni limpiar el producto.
- Instale la batería exclusivamente cuando el producto esté apagado.
- No acerque la mano a la hoja a menos que la hoja se haya detenido por completo.
- Antes de su uso, compruebe minuciosamente el producto y la batería en busca de cualquier daño o desgaste de los materiales. La reparaciones de todo el producto solo debe realizarlas un centro de servicio autorizado.
- Utilice siempre las protecciones del producto. No utilice el producto si las protecciones no están en su sitio y funcionando correctamente.
- La protección inferior de la cuchilla solo se debería abrir cuando la cuchilla descienda sobre la pieza de trabajo y siempre se debe poder mover libremente y cerrar de forma automática.
- Fije siempre la pieza y utilice barras de extensión para sujetarla durante la operación.
- Nunca altere ni modifique el producto o su función. Su seguridad puede verse amenazada.
- No utilice hojas de sierra que estén agrietadas, dañadas o deformadas.
- No emplear hojas de sierra elaboradas de acero de corte rápido.
- Utilice solamente hojas afiladas. Cambie las hojas sin filo.
- Utilice hojas de tamaño y forma adecuados al diámetro interior del eje. Unas hojas que no se adaptan al eje en el que se deben montar no girarán correctamente y provocarán una pérdida de control.
- Use solo las cuchillas para madera especificadas en este manual, que cumplen con la norma EN 847-1.
- No utilice bridas, arandelas y tuercas para fijar la hoja de sierra que no sean las suministradas o indicadas en el manual de instrucciones.
- Elegir la hoja de sierra adecuada para el material a



cortar. Nunca utilice el producto para cortar materiales distintos a los especificados en la sección de uso previsto de este manual.

- Es importante evitar que la cuchilla se sobrecaliente y derrita el plástico al cortar.
- Es esencial respetar la velocidad máxima especificada en la cuchilla de la sierra, así que use solo aquella marcada con una velocidad igual o mayor a la que se especifique en la herramienta.
- Cambie el inserto de la hoja cuando esté desgastado o dañado.
- Antes de empezar a trabajar, haga un corte de prueba con el motor apagado para comprobar la posición de la lámina, el funcionamiento de las protecciones con respecto a otras piezas de la máquina y la pieza de trabajo.
- Al realizar cortes oblicuos y en inglete o de ingletadora compuesta, ajuste el tope deslizante o el subtope para asegurarse que la distancia desde la cuchilla es la correcta.
- El bloqueo del mango tiene que estar siempre activado al transportar el producto.
- Mantenga el área libre de material suelto, por ejemplo, astillas y cortes.
- No quite restos de aserrado u otras partes de piezas de trabajo del área de aserrado al estar la máquina en funcionamiento y si la cabeza de la sierra no se encuentra en posición inactiva.
- Las piezas de trabajo largas deben estar correctamente apoyadas. El área de trabajo de la sierra incluye toda la extensión de la pieza de trabajo. El operador debe evitar el contacto accidental de esta zona con otras personas u objetos que puedan mover la pieza de trabajo durante la operación.
- El polvo producido durante el uso del producto puede suponer un peligro para la salud. Use un sistema de extracción de polvo y una mascarilla protectora adecuada. Retire minuciosamente el polvo depositado, por ejemplo, con un aspirador.
- No cambie el láser por otro de distinto tipo. Todas las reparaciones deben ser realizadas únicamente por el fabricante o por un técnico de servicio autorizado.
- El rango de temperatura ambiente para la herramienta (producto) en funcionamiento es de entre 0 y 40 °C.
- El rango de temperatura ambiente en el entorno en el que se guarde la herramienta (producto) es de entre 0 y 40 °C.
- El rango de temperatura ambiente recomendado para el sistema de carga durante la carga es de entre 10 y 38 °C.

### TRANSPORTE DE BATERÍAS DE LITIO

Transporte la batería de conformidad con las disposiciones y las normativas locales y nacionales.

Cuando las baterías sean transportadas por un tercero, cumpla los requisitos especiales relativos al embalaje y etiquetado. Asegúrese de que ninguna batería entra en contacto con otra batería o con materiales conductores durante el transporte, proteja los conectores expuestos con tapones o tapas aislantes no conductoras. No transporte

baterías con fisuras o fugas. Para más asesoramiento, póngase en contacto con la empresa de distribución.

### ADVERTENCIAS DE SEGURIDAD DE LA BATERÍA ADICIONAL

#### ⚠ ADVERTENCIA

Para reducir el riesgo de incendio, lesión personales y daños al producto debido a un cortocircuito, no sumerja nunca la herramienta, el paquete de baterías o el cargador en líquido ni permita que fluya un fluido dentro de ellos. Los fluidos corrosivos o conductivos, como el agua de mar, ciertos productos químicos industriales y blanqueadores o lejías que contienen, etc., pueden causar un cortocircuito.

- El rango de temperatura ambiente para la batería en uso es de entre 0 y 40 °C.
- El rango de temperatura ambiente para el almacenamiento de batería es de entre 0 y 20 °C.

### SEGURIDAD DEL LÁSER

- La radiación de la guía láser utilizada en esta sierra es de clase 2 con longitudes de onda máximas de  $\leq 1\text{mW}$  and 650nm. No mire directamente al láser. El incumplimiento de estas normas puede resultar en lesiones graves.
- No mire fijamente el láser durante el funcionamiento.
- No proyecte el rayo láser directamente a los ojos de los demás. Podría provocar lesiones graves en los ojos.
- No coloque el láser en una posición que puede causar que alguien mire al rayo láser de manera intencionada o no.
- No utilice herramientas ópticas para ver el rayo láser.
- No trabaje con el láser cerca de los niños ni permita que los niños manejen el láser.
- No intente reparar el dispositivo láser usted mismo.
- No intente cambiar ninguna pieza del dispositivo láser usted mismo.
- Las reparaciones sólo deben ser realizadas por el fabricante del láser o un agente de servicio autorizado.
- No cambie el láser por otro de distinto tipo.

### RIESGOS RESIDUALES

Incluso cuando se utiliza el producto según las instrucciones, sigue siendo imposible eliminar por completo ciertos factores de riesgo residuales. Pueden surgir los siguientes riesgos durante el uso y el operador debe prestar especial atención para evitar lo siguiente:

- Riesgo de contacto con las piezas descubiertas de la lámina circular giratoria.
- Rebote de las piezas de trabajo y partes de las mismas debido a un manejo inadecuado.
- Puntas de carburo defectuosas salen disparadas de la hoja de la sierra.
- Daños al sistema respiratorio.

**NOTA:** Use mascarillas protectoras con filtros

adecuados para los materiales con los que va a trabajar. Asegure una ventilación adecuada del lugar de trabajo. No comer, beber o fumar en el área de trabajo.

- Daños auditivos si no se utiliza una protección auditiva eficaz.

#### **⚠ ADVERTENCIA**

El polvo de ciertas pinturas, revestimientos y materiales puede causar irritación o reacciones alérgicas en el sistema respiratorio. El polvo de madera como el roble, la haya, el MDF y otros es cancerígeno. El material que contiene amianto sólo debe ser trabajado o procesado por operadores especialistas cualificados.

#### **⚠ ADVERTENCIA**

El uso prolongado de la herramienta puede provocar o agravar lesiones. Al utilizar cualquier herramienta durante períodos prolongados asegúrese de tomar descansos regulares.

### **CONOZCA EL PRODUCTO**

Consulte la página 215.

1. Asa, superficie de agarre aislada
2. Interruptor de encendido
3. Mango con bloqueo de seguridad
4. Protector superior de la hoja
5. Cuchilla de la sierra
6. Protector de hoja inferior
7. Tope-guía principal
8. Mesa giratoria
9. Base
10. Inserto de la mesa
11. Mango de bloqueo de la mesa giratoria
12. Equilibrio
13. Barra antivuelco
14. Interruptor de láser
15. Asa superior, superficie de agarre aislada
16. Arandela
17. Freno de la abrazadera
18. Palanca de bloqueo de ángulo de bisel
19. Abrazadera
20. Tope-guía corredero
21. Orificio de montaje
22. Barra de extensión
23. Tornillos para la barrera principal de bloqueo
24. Botón de bloqueo del árbol
25. Batería
26. Bolsa para el polvo
27. Perilla de ajuste de la profundidad de corte
28. Tope de profundidad máxima de corte
29. Perilla de tope de la varilla lineal
30. Tornillos de ajuste del limitador del ángulo de bisel
31. Llave hexagonal

### **FUNCIONAMIENTO**

El producto cuenta con una hoja de sierra en movimiento que el operador puede ajustar a varios ángulos al cortar una pieza de trabajo que se fija firmemente a la base del

producto. Debe ser utilizada por una sola persona para evitar el contacto accidental con la hoja de la sierra en movimiento.

Los principios para un uso seguro del producto son los siguientes:

- Mantenga la sierra, las hojas y el área de trabajo en buenas condiciones.
- Fije la base de la ingletadora a un banco de trabajo sólido. El producto puede moverse y volcar si no está correctamente sujeto.
- Ajuste y bloquee los ángulos de corte y la profundidad antes de hacer el corte.
- Asegure la pieza de trabajo a la base de la ingletadora. Utilice la abrazadera proporcionada y, en caso necesario, utilice abrazaderas adicionales o mecanismos de sujeción para evitar el movimiento involuntario de la pieza de trabajo durante el corte.
  - Compruebe que el funcionamiento de las protecciones de la hoja no está limitado por la posición de la pieza de trabajo.
  - Asegúrese de que el tope-guía y otras partes del producto no se cortarán mientras la hoja baja hasta la posición de corte.
- Arranque el motor y deje que la hoja alcance la velocidad máxima antes de bajarla lentamente para cortar la pieza de trabajo. Deslice hacia atrás el montaje de la cuchilla para completar el corte según sea necesario.
- Deje que el conjunto de la hoja llegue a su posición superior, donde las protecciones de la cuchilla están completamente cerradas. Apague el motor y deje que la hoja se detenga por completo antes de retirar la pieza de trabajo o los recortes, o antes de llegar a la zona de la hoja.

Antes del primer uso, asegúrese de que el ángulo del bisel o inglete colocado en el producto coincida con el ángulo que desea producir en la pieza de trabajo. Compruébelo sobre un trozo de madera desechado utilizando un juego de carpintero o una escuadra.

#### **⚠ ADVERTENCIA**

El fabricante recomienda encarecidamente montar siempre de modo seguro el producto sobre un banco de trabajo.

Si la base del producto está firmemente asegurada a un banco de trabajo por cuatro tuercas, tornillos y arandelas, como se indica, el producto se podrá utilizar con la configuración máxima de bisel e inglete sin posibilidad de que vuelque. Si el producto no está bien sujeto, puede balancearse cuando se seleccionan grandes ángulos de bisel.

En la parte delantera de la base de la ingletadora hay una barra extensible que debe sacarse hasta su extensión máxima. Esto ayudará a evitar que la ingletadora se desequilibre.

También hay un tornillo ajustable (equilibrio de pie) que se extiende desde la parte inferior de la mesa giratoria adicional. Este tornillo debe ajustarse de modo que toque



la superficie plana sobre la cual se apoya el producto. Esto también evitará que el producto se desequilibre al cortar a la máxima extensión de deslizamiento y bisel. Cuidado, esta parte de la sierra de mesa se mueve cuando se seleccionan diferentes ángulos de inglete, por lo que el tornillo debe ajustarse y reubicarse con frecuencia.

## MANTENIMIENTO

- No modifique el producto de ningún modo ni utilice accesorios no aprobados por el fabricante. Su seguridad y la de los demás pueden verse amenazadas.
- No utilice el producto si alguno de los interruptores, protecciones u otras funciones no funcionan según lo previsto. Vaya a un centro de servicio autorizado para ajustes o reparaciones profesionales.
- No haga ningún ajuste mientras la hoja de la sierra está en movimiento.
- Asegúrese siempre de que la batería se ha quitado del producto antes de realizar los ajustes, lubricar o cuando se realice algún tipo de mantenimiento en el producto.
- Antes y después de cada uso, compruebe que no hay daños ni piezas rotas en el producto. Mantenga el producto en las mejores condiciones de trabajo sustituyendo de inmediato las piezas por repuestos aprobados por el fabricante.
- La cuchilla tiene bordes afilados y también puede estar caliente después de realizar operaciones de corte. Extreme las precauciones cuando limpie una cuchilla expuesta. Utilice guantes para protegerse y evitar lesiones.
- Limpie el polvo de la sierra y sus accesorios regularmente, especialmente las piezas móviles como la protección de la cuchilla. Utilice un cepillo de mano o una aspiradora para quitar el polvo con eficacia. No utilice aire comprimido.
- Para garantizar la seguridad y fiabilidad, todas las reparaciones, incluyendo el cambio de escobillas, deben ser realizadas por un centro de servicio autorizado.

### ⚠ ADVERTENCIA

No intente desmontar la protección de la cuchilla para limpiar o reparar. No se deberían utilizar las protecciones dañadas. Vuelva a un centro de servicio autorizado para reparación o sustitución.

### ⚠ ADVERTENCIA

Para una mayor seguridad y fiabilidad, todas las reparaciones deben ser realizadas por un centro de servicio autorizado.

## Calibración del ángulo para ingletes y biseles

Si fuese necesario realizar la calibración del ángulo para ingletes y biseles, consulte las páginas 236- 242 y siga las instrucciones de calibración.

## Tope de profundidad máxima de corte

El tope máximo de profundidad de corte sirve para evitar que la hoja de la sierra corte la base metálica de la unidad.

### ⚠ ADVERTENCIA

El usuario no puede ajustar el tope máximo de profundidad de corte. No ajuste el tope máximo de profundidad de corte.

## TRANSPORTE Y ALMACENAMIENTO

- Al guardar el producto, quite la batería. Guarde el producto en un lugar seguro que no sea accesible a los niños.
- Limpie el producto con un cepillo y un aspirador antes de su almacenamiento.
- Si retira la hoja de sierra o guarda repuestos con la unidad, asegúrese de que estén en el embalaje original para evitar lesiones.

## Para asegurar el producto antes de realizar movimientos:

- El producto debe guardarse con el ángulo de bisel e inglete a cero grados y bloqueado en esa posición. El deslizamiento debe estar bloqueado. El mango debe bloquearse en la posición más baja (segura) con las protecciones cerradas.
- Uno o ambos lados de las barras de extensión se pueden quitar para transportarlo más fácilmente.

## Para desplazar el producto o transportar en un vehículo:

- Asegure el producto antes de realizar movimientos tal como se describe en el manual.
- Retire el producto del banco de trabajo soltando las 4 tuercas, una en cada esquina. Asegure los tornillos para utilizarlos en el futuro. Levante el producto utilizando el mango en la parte superior.
- Al levantar el producto a cierta altura, se necesitan dos personas con guantes resistentes para levantar la base del producto.
- Para transportarlo en un vehículo, coloque el producto sobre su base e inmovilícelo.

## PROTECCIÓN DEL MEDIO AMBIENTE



Recicle las materias primas en lugar de tirarlas a la basura doméstica. Para proteger el medio ambiente, debe separar la herramienta, los accesorios y los embalajes.

## SÍMBOLOS EN EL PRODUCTO



Alerta de seguridad



Conformidad CE



Certificado EAC de conformidad



Marca de conformidad ucraniana



Por favor lea las instrucciones detenidamente antes de arrancar la máquina.



Utilice dispositivos de protección para los oídos



Utilice siempre gafas de protección.



Mantenga las manos alejadas del área de corte y de la cuchilla.



No exponer a la lluvia ni utilizar en lugares húmedos.



Utilice guantes de seguridad



Dirección de rotación de la cuchilla (se muestra en la cuchilla de la sierra)



Sentido de rotación de la hoja (se muestra en la protección de la hoja)



Anchura de corte de la cuchilla



Número de dientes en la cuchilla de la sierra



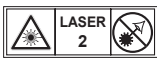
Capacidad de corte



Para cortar madera y material similar



No sirve para cortar metales



Radiación láser.  
No mire directamente al rayo.  
Producto láser de clase 2



Los productos eléctricos de desperdicio no deben desecharse con desperdicios caseros. Por favor recíclelos donde existan dichas instalaciones. Compruebe con su autoridad local o minorista para reciclar.

## SÍMBOLOS EN ESTE MANUAL



Bloquear



Desbloquear



El mecanismo de bloqueo no funciona



Las piezas o accesorios se venden por separado



Nota



Advertencia

Los siguientes símbolos y palabras detallan los niveles de cuidado necesarios para usar este producto.

### PELIGRO

Indica una situación inminente de peligro que, si no se evita, provocará la muerte o lesiones graves.

### ADVERTENCIA

Indica una situación potencialmente peligrosa que, si no se evita, podría causar la muerte o lesiones graves.

### PRECAUCIÓN

Indica una situación potencialmente peligrosa que, si no se evita, puede provocar lesiones leves o moderadas.

### PRECAUCIÓN

(Sin símbolo de seguridad) Indica una situación que podría ocasionar daños materiales.



Durante la progettazione di questa troncatrice è stata data la massima priorità a sicurezza, prestazioni e affidabilità.

## UTILIZZO

La troncatrice è utilizzabile per segare legno massiccio e agglomerato o materiali simili al legno, con o senza impiallacciatura e plastica.

Il prodotto deve essere utilizzato solo da operatori adulti, che abbiano letto il manuale di istruzioni e abbiano compreso rischi e pericoli.

Il prodotto è studiato per essere fissato a un piano di lavoro robusto. Se la base non è fissata in modo sicuro, l'intero dispositivo si potrà spostare durante le operazioni di taglio, il che aumenterà la possibilità di gravi lesioni alla persona.

Questo prodotto è progettato per l'esecuzione di tagli a 90° e a smusso. Le caratteristiche dei tipi di taglio eseguibili sono incluse nelle specifiche tecniche del prodotto presenti in questo manuale.

Il prodotto deve essere utilizzato in un ambiente asciutto, con eccellente illuminazione e adeguata ventilazione.

Il prodotto è indicato per l'uso hobbistico e deve essere utilizzato solo come descritto sopra e non per qualsiasi altro scopo.

## NORME DI SICUREZZA GENERALI

### ⚠ AVVERTENZE

**Leggere attentamente tutte le avvertenze, le istruzioni e le specifiche fornite con l'apparecchio e fare riferimento alle illustrazioni.** La mancata osservanza delle istruzioni riportate di seguito potrebbe provocare incidenti quali incendi, scosse elettriche e/o gravi lesioni fisiche.

**Conservare tutte le istruzioni e le avvertenze per eventuali riferimenti futuri.** Il termine "elettrotensile" nelle avvertenze si riferisce all'utensile elettrico alimentato con un cavo o all'utensile elettrico alimentato con una batteria (senza fili).

### SICUREZZA AREA LAVORO

- **Tenere l'area di lavoro pulita e ben illuminata.** Aree non ordinate o non illuminate possono causare incidenti.
- **Non mettere in funzione gli elettrotensili in atmosfere esplosive, come in presenza di liquidi infiammabili, gas o polvere.** Gli elettrotensili creano scintille che potranno causare incendi se a contatto con polveri o vapori.
- **Tenere bambini ed eventuali osservatori lontani quando si mette in funzione un elettrotensile.** Eventuali distrazioni potranno causare una perdita di controllo.

### SICUREZZA ELETTRICA

- **La spina dell'elettrotensile deve combaciare con la presa. Non modificare mai la spina. Non utilizzare eventuali adattatori con elettrotensili con messa a terra (collegati a terra).** Spine non modificate e prese

adeguate ridurranno il rischio di scosse elettriche.

- **Evitare il contatto con il corpo con dispositivi con messa a terra come tubi, radiatori, fornelli elettrici e refrigeratori.** Esiste un maggior rischio di scosse elettriche se il corpo dell'operatore entra in contatto con un dispositivo con messa a terra.
- **Non esporre gli elettrotensili a pioggia o umidità.** Nel caso in cui dell'acqua entrerà nell'elettrotensile, si aumenterà il rischio di scosse elettriche.
- **Non sottoporre il cavo a stress. Non tirare l'elettrotensile dal cavo per trasportarlo, né scollegarlo tirando il cavo dell'alimentazione. Tenere il cavo dell'alimentazione lontano da fonti di calore, olio e estremità appuntite o parti in movimento.** Cavi danneggiati o intrecciati potranno aumentare il rischio di scosse elettriche.
- **Quando si mette in funzione un utensile in esterni, utilizzare una prolunga adatta per tali scopi.** Utilizzare un cavo adeguato per esterni ridurrà il rischio di scosse elettriche.
- **Se non è possibile evitare di utilizzare elettrotensili in zone umide, utilizzare una fornitura elettrica con un dispositivo di corrente residua (RCD).** Utilizzare un RCD ridurrà il rischio di scosse elettriche.

### SICUREZZA PERSONALE

- **Prestare la massima attenzione a quello che si sta facendo e utilizzare buon senso quando si mette in funzione un utensile. Non utilizzare l'utensile se stanchi o sotto l'influenza di droghe, alcool o medicinali.** Un momento di disattenzione mentre si utilizzano elettrotensili potrà causare gravi lesioni personali.
- **Indossare dispositivi equipaggiamento di protezione personale. Indossare sempre occhiali di protezione.** L'utilizzo si attrezzature di protezione individuali, come maschere antipolveri, scarpe di sicurezza antidrucciolo, elmetto, e dispositivi auricolari riducono il rischio di lesioni personali.
- **Evitare l'avvio accidentale. Prima di prendere o trasportare il prodotto, o di collegarlo alla presa di corrente e/o al pacco batterie, assicurarsi che il suo interruttore sia spento.** Trasportare dispositivi elettrici con il dito sull'interruttore di attivazione, oppure collegarli all'elettricità con l'interruttore di attivazione inserito, può causare infortuni.
- **Rimuovere eventuali chiavi o dispositivi prima di accendere l'elettrotensile.** Un utensile o un cavo lasciati collegati a una parte rotante dell'elettrotensile potranno causare gravi lesioni personali.
- **Non protendersi. Mantenere sempre l'equilibrio e un punto di appoggio sicuro.** Ciò permetterà un controllo migliore dell'elettrotensile in situazioni inaspettate.
- **Vestirsi adeguatamente. Non indossare abiti con parti svolazzanti o gioielli. Tenere capelli e abiti a distanza dalle parti mobili.** Abiti con parti svolazzanti, gioielli o capelli lunghi potranno rimanere impigliati nelle parti in movimento.
- **Ove siano previsti dispositivi di collegamento a impianti di estrazione e di raccolta delle polveri,**

EN  
FR  
DE  
ES  
IT  
NL  
PT  
DA  
SV  
FI  
NO  
RU  
PL  
CS  
HU  
RO  
LV  
LT  
ET  
HR  
SL  
SK  
BG  
UK  
TR  
EL



assicurarne il collegamento e l'utilizzo corretti. La raccolta delle polveri può ridurre i rischi connessi.

- **La familiarità d'uso proveniente dall'impiego frequente degli utensili non deve indurre a operare con eccessiva disinvoltura o a ignorare le norme di sicurezza.** Una momentanea disattenzione può causare lesioni gravi in pochi attimi.

#### UTILIZZO E CURA DI UN UTENSILE

- **Non forzare l'utensile. Utilizzare il prodotto corretto per il lavoro da svolgere.** Il prodotto corretto svolgerà il lavoro in modo migliore e in maniera più sicura se lo si utilizza alla potenza di utilizzo per la quale è stato progettato.
- **Non utilizzare l'elettro utensile se l'interruttore non lo accende o spegne.** Un elettro utensile non controllabile dall'interruttore è pericoloso e deve essere riparato.
- **Prima di regolare, sostituirne gli accessori o riporre gli utensili elettrici, scollegare la spina dalla presa elettrica e/o rimuovere il gruppo batteria, se rimovibile.** Tali misure preventive di sicurezza riducono il rischio di avviare accidentalmente il prodotto.
- **Riporre elettro utensili non in funzione lontano dalla portata dei bambini e non lasciare che persone che non conoscono il funzionamento dell'elettro utensile mettano in funzione il dispositivo.** Gli elettro utensili possono essere pericolosi nelle mani di operatori non qualificati.
- **Mantenere gli utensili elettrici e i loro accessori. Controllare il corretto allineamento o l'ingolfamento di parti in movimento, la rottura di parti e qualsiasi altra condizione che potrà influire sul funzionamento dell'utensile. Se danneggiato farlo riparare prima di utilizzarlo di nuovo.** Utensili sui quali non viene svolta una corretta manutenzione potranno causare gravi incidenti.
- **Mantenere gli utensili da taglio affilati e puliti.** Se mantenuti in modo appropriato con lame affilate, gli strumenti da taglio vanno incontro meno frequentemente a inceppamento e sono più facili da controllare.
- **Utilizzare il prodotto, gli accessori, le punte, ecc. secondo le indicazioni contenute in queste istruzioni, tenendo conto delle condizioni di lavoro e del compito da eseguire.** Utilizzare l'elettro utensile per operazioni diverse da quelle indicate potrà causare situazioni pericolose.
- **Mantenere la maniglia e le superfici di presa asciutte, pulite e prive di olio o grasso.** Maniglie e superfici di presa scivolose non consentono di maneggiare e controllare in sicurezza lo strumento in caso di situazioni impreviste.

#### USO E MANUTENZIONE DELLA BATTERIA

- **Ricaricare le batterie solo con il caricabatterie specificato dal produttore.** Un caricatore che potrà essere adatto per un tipo di batteria potrà rappresentare un rischio di incendio quando viene utilizzato con un'altra batteria.
- **Utilizzare gli utensili elettrici solo con i gruppi**

**batteria specificatamente indicati.** L'uso di qualsiasi altro tipo di pacco batterie può creare il rischio di lesioni o di incendio.

- **Quando il gruppo batterie non viene utilizzato, tenerlo lontano da altri oggetti metallici come fermagli, monete, chiavi, chiodi, viti, o altri piccoli oggetti che potranno creare connessioni da un terminale all'altro.** Cortocircuitare i terminali delle batterie può produrre ustioni e incendi.
- **In condizioni scorrette, la batteria può espellere liquidi; evitare il contatto. In caso di contatto accidentale, sciacquare con acqua. Se il liquido viene a contatto con gli occhi, rivolgersi a un medico.** Il liquido espulso dalla batteria può causare irritazione o ustioni.
- **Non utilizzare gruppi batteria o utensili danneggiati o modificati.** Batterie danneggiate o modificate possono comportarsi in modo imprevisto e causare incendi, esplosioni, o lesioni personali.
- **Non esporre il gruppo batteria o l'utensile a fiamme libere o a temperature eccessive.** L'esposizione a fiamme libere o a temperature superiori a 130 °C può indurre esplosioni.
- **Attenersi alle istruzioni di ricarica e non ricaricare il gruppo batteria o l'utensile in condizioni di temperatura eccedenti l'intervallo di valori specificato nelle istruzioni.** Una ricarica condotta in modo improprio o in condizioni di temperatura eccedenti l'intervallo di valori specificato, può danneggiare la batteria e aumentare il rischio d'incendio.

#### MANUTENZIONE

- **Fare svolgere sempre le dovute riparazioni da una persona qualificata che utilizzi solo parti di ricambio identiche.** In questo modo verrà garantita la sicurezza dell'utensile.
- **Non riparare mai le batterie danneggiate.** La riparazione del gruppo batteria può essere effettuata solo dal produttore o presso servizi di assistenza tecnica autorizzati.

#### ISTRUZIONI DI SICUREZZA DELLA TRONCATRICE

- **Le troncatrici sono progettate per tagliare legno o materiali analoghi al legno, pertanto non possono essere utilizzate con dischi per taglio e smeriglio su materiali ferrosi, come barre, aste, borchie, ecc. La presenza di polveri abrasive provoca l'inceppamento di parti mobili, come il dispositivo di protezione inferiore. Le scintille prodotte durante di taglio abrasivo possono bruciare il dispositivo di protezione inferiore, l'insero della larghezza di taglio, e altre parti in plastica.**
- **Utilizzare i morsetti per sostenere il pezzo sul quale si sta lavorando ogni qualvolta sia possibile. Se il pezzo in lavorazione viene mantenuto con le dita, è necessario osservare sempre una distanza di almeno 100 mm tra mano e lama, su entrambi i versanti. Non utilizzare questa sega per tagliare pezzi troppo piccoli per essere clampati saldamente o tenuti con la mano. Accostare troppo la mano alla**



lama aumenta il rischio di lesioni personali.

- **Il pezzo in lavorazione deve essere fermo e bloccato, oppure deve essere mantenuto adeso alla guida di appoggio e al tavolo portapezzi. Non spingere il pezzo in lavorazione verso la lama né effettuare alcun tipo di taglio a "mano libera".** Pezzi in lavorazione non fissati o mobili possono essere scagliati via ad alta velocità, causando lesioni.
- **Spingere la sega attraverso lo spessore del pezzo in lavorazione. Non tirare la sega attraverso il pezzo in lavorazione. Per eseguire un taglio, sollevare la testa della sega e spostarla sopra il pezzo senza tagliare, quindi avviare il motore, premere la testa della sega in basso e spingere la lama nel pezzo in lavorazione.** Tagliare mentre si tira può determinare la risalita della lama della sega sulla parte superiore del pezzo in lavorazione, proiettando violentemente il gruppo di taglio verso l'operatore.
- **Non incrociare mai con la mano la traiettoria della linea di taglio prevista, sia anteriormente che posteriormente alla lama.** È molto pericoloso sorreggere il pezzo in lavorazione a "mani incrociate", vale a dire trattenendo il pezzo a destra della lama con la mano sinistra, o viceversa.
- **Quando la lama è in funzione, non avvicinare le mani a meno di 100 mm dalla lama, su entrambi i lati, per rimuovere rimuovere scarti di legno, o per altri motivi, dietro la guida di appoggio.** La prossimità della mano alla lama in rotazione può non essere immediatamente evidente e si corre il rischio di ferirsi gravemente.
- **Prima di procedere al taglio ispezionare il pezzo in lavorazione. Se il pezzo è curvo o deformato, fissarlo con il lato esterno curvo verso la guida di appoggio. Assicurarsi sempre che non resti spazio tra il pezzo in lavorazione, la guida di appoggio e il tavolo portapezzi lungo la linea del taglio.** Pezzi in lavorazione curvi o deformati possono ruotare o spostarsi, causando il blocco della lama della sega nel materiale sottoposto a taglio. Il pezzo in lavorazione non deve contenere chiodi o altri elementi estranei.
- **Utilizzare la sega solo dopo aver sgombrato il tavolo portapezzi di ogni utensile, scarto di legno, ecc., con la sola eccezione del pezzo in lavorazione.** A contatto con la lama rotante, eventuali detriti, pezzetti di legno o altri oggetti presenti possono essere proiettati tutt'intorno ad alta velocità.
- **Tagliare solo un pezzo alla volta.** Pezzi multipli, impilati gli uni sugli altri, non possono essere adeguatamente fissati o bloccati, e possono perciò restare incastrati nella lama o spostarsi durante il taglio.
- **Prima dell'uso, assicurarsi che la troncatrice sia montata o collocata su una superficie di lavoro stabile e in piano.** Una superficie di lavoro stabile e in piano riduce il rischio di instabilità della sega.
- **Pianificare il lavoro. Ogni volta che si cambia l'impostazione dell'angolo di taglio o di smusso, assicurarsi che la guida di appoggio regolabile sia impostata correttamente per supportare il pezzo senza interferire con la lama o con il sistema di protezione.** Per assicurarsi che la guida di appoggio

non interferisca e non venga tagliata, senza "accendere" l'utensile e con il tavolo portapezzi vuoto, muovere la lama simulandone l'intera traiettoria di taglio.

- **In caso di pezzi in lavorazione più larghi o più lunghi del piano del tavolo portapezzi, procurare una superficie di appoggio adeguata, servendosi di prolunghes per il tavolo, di cavalletti, ecc.** Se non adeguatamente supportati, i pezzi in lavorazione più lunghi o più larghi del tavolo portapezzi della troncatrice possono rovesciarsi. Rovesciandosi, il pezzo in lavorazione o quello tagliato può sollevare la protezione inferiore o essere proiettato via dalla lama rotante.
- **Per supportare il pezzo in lavorazione servirsi di una prolunga per il tavolo o di altri tipo di sostegno, mai di persone.** Se il pezzo in lavorazione non viene stabilmente fissato, la lama può bloccarsi sul materiale da tagliare o spostare il pezzo risucchiando l'operatore e l'aiutante verso la lama rotante.
- **Il pezzo tagliato non deve essere incastrato né pressato con alcun mezzo contro la lama rotante della sega.** Se vincolato, per esempio tramite arresti di lunghezza, il pezzo tagliato potrebbe incastrarsi contro la lama ed essere eiettato violentemente.
- **Utilizzare sempre un morsetto o un apposito dispositivo per fissare correttamente materiali a sezione circolare, come le barre o strutture tubolari.** Durante il taglio le barre tendono a ruotare, determinando il "morso" e il tiraggio del pezzo, e della mano, nella lama rotante.
- **Lasciare che la lama raggiunga la piena velocità di rotazione prima di avvicinare il pezzo in lavorazione.** Ciò ridurrà il rischio di espulsione violenta del pezzo in lavorazione.
- **Se il pezzo in lavorazione o la lama si inceppano, spegnere la troncatrice. Attendere che tutte le parti in movimento si arrestino, quindi disconnettere la spina dalla presa elettrica e/o rimuovere il gruppo batteria. Procedere a liberare il materiale inceppato.** Continuare il taglio con un pezzo in lavorazione inceppato può causare la perdita di controllo o il danneggiamento della troncatrice.
- **Una volta terminato il taglio rilasciare l'interruttore di attivazione e, prima di rimuovere il pezzo tagliato, mantenendo abbassata la testa sega, attendere l'arresto della lama rotante.** Avvicinare la mano alla lama in fase di arresto è pericoloso.

## ISTRUZIONI DI SICUREZZA PER LA LAMA PER LEGNO

- Leggere attentamente il manuale e le istruzioni prima di utilizzare la lama per sega e il prodotto.
- L'utensile elettrico deve essere in buone condizioni; il mandrino non deve presentare deformazioni e vibrazioni.
- Non utilizzare il prodotto senza le protezioni in posizione. Mantenere gli schermi in ottime condizioni per garantire un corretto funzionamento.
- Assicurarsi che l'operatore sia adeguatamente addestrato riguardo alle precauzioni di sicurezza da adottare, alle regolazioni e al funzionamento del





prodotto.

- Quando si utilizza il prodotto, indossare sempre dispositivi di protezione oculare e auricolare. Inoltre si consiglia di indossare guanti, calzature resistenti antiscivolo e un grembiule.
- Prima di utilizzare un qualsiasi accessorio, consultare il manuale d'istruzioni. L'uso improprio di un accessorio può causare danni e aumentare il rischio di lesioni.
- Utilizzare solo lame specificate con questo manuale, rispettando lo standard EN 847-1.
- Rispettare la velocità massima indicata sulla motosega. Assicurarsi che la velocità indicata sulla lama della motosega sia uguale a quella indicata dalla motosega.
- Utilizzare sempre lame di dimensioni e forma idonee all'alesaggio dell'albero. Una lama non idonea all'albero sul quale deve essere montata non è in grado di girare correttamente e potrebbe causare una perdita del controllo dell'apparecchio.
- Non utilizzare lame di un diametro più grande o più piccolo di quello raccomandato. Non utilizzare distanziatori per inserire la lama nell'albero.
- Prima di ogni uso, ispezionare attentamente le punte della lama per verificare che non siano danneggiate o presentino altre anomalie. Lame danneggiate o allentate possono volare via durante l'uso e aumentare il rischio di lesioni personali.
- Non devono essere utilizzate né lame incrinata né lame la cui forma abbia subito alterazioni. Non usare lame danneggiate o deformate.
- Sostituire la lama se danneggiata, deformata, distorta o rotta. Non è consentito eseguire alcuna riparazione.
- Non utilizzare lame HSS.
- Assicurarsi che la lama della sega sia stata montata correttamente e prima dell'uso serrare bene il dado conico (coppia di serraggio, circa 12-15 Nm).
- La vite di fissaggio e i dadi devono essere serrati con l'apposita chiave, ecc.
- Prolunghe per attrezzi o serraggio con colpi di martello non sono permessi.
- Assicurarsi che tutte le flange e le lame siano pulite e che le parti interne del colletto siano posizionate accanto alla lama.
- Assicurarsi che la lama ruoti nella direzione corretta.
- Prima di avviare le operazioni di lavoro, fare un taglio di prova senza accendere il motore in modo da poter controllare la posizione delle lame, il funzionamento dei paralame rispetto alle altre parti delle macchine e i pezzi sui quali si dovrà lavorare.
- Non lasciare mai incustodito il prodotto.
- Non applicare lubrificanti sulla lama quando non è in funzione.
- Non svolgere mai operazioni di pulizia o manutenzione se la macchina è in funzione e la testa di taglio non è in posizione di riposo.
- Non tentare mai di bloccare una macchina in funzione rapidamente incastrando un utensile o altre parti contro la lama, in caso contrario si potranno verificare accidentalmente gravi incidenti.

- Prima di cambiare le lame o di eseguire la manutenzione, scollegare il prodotto dalla rete elettrica o rimuovere il gruppo batteria.
- Fare attenzione quando si rimuove dall'imballo o si ripone nello stesso la lama, dal momento che si può rimanere facilmente feriti da lame affilate.
- Utilizzare un reggilama o indossare guanti quando si maneggia una lama.
- Riporre la lama nell'involucro originale o altro involucro adatto e tenere sempre in luoghi asciutti e lontano da agenti chimici che potranno danneggiare la lama.

#### ULTERIORI AVVERTENZE DI SICUREZZA

- Inserire sempre il morsetto sul pezzo sul quale si sta lavorando in maniera sicura e salda.
- Accertarsi che la macchina sia sempre stabile (ad esempio fissandola sul banco di lavoro).
- Indossare protezioni acustiche adeguate. L'esposizione prolungata al rumore senza protezione può causare danni all'udito.
- Quando si utilizza il prodotto indossare sempre gli occhiali protettivi. Si raccomanda di indossare guanti per manipolare lame e materiali grezzi oltre a resistenti scarpe antiscivolo per proteggere i piedi dai pezzi di lavoro che potranno cadere dall'area di taglio.
- Prima di effettuare qualsiasi operazione di manutenzione o di pulizia scollegare il prodotto dalla rete elettrica o rimuovere il gruppo batteria.
- Installare il gruppo batteria solo quando il prodotto è spento.
- Non esporsi sull'area accanto alla lama a meno che la lama non si sia completamente arrestata.
- Prima dell'uso, controllare accuratamente che il prodotto e il gruppo batteria non siano danneggiati e non presentino segni di affaticamento dei materiali. Qualsiasi intervento di riparazione sul prodotto deve essere eseguito esclusivamente presso un centro di assistenza autorizzato.
- Utilizzare sempre le protezioni presenti sul prodotto. Non utilizzare il prodotto se le protezioni non sono in posizione o non funzionano correttamente.
- Il coprilama inferiore deve aprirsi solo quando la lama è abbassata sul pezzo in lavorazione e deve poter muoversi sempre liberamente e chiudere automaticamente.
- Fissare e utilizzare sempre le barre di prolunga per supportare il pezzo in lavorazione durante il funzionamento della sega.
- Non apportare mai modifiche al prodotto o alle sue modalità di funzionamento. La sicurezza dell'utente potrà essere compromessa.
- Non utilizzare lame rotte, danneggiate o deformate.
- Non utilizzare lame di sega fatte in acciaio rapido.
- Utilizzare solo lame affilate. Sostituire le lame non più affilate.
- Utilizzare sempre lame di dimensioni e forma idonee all'alesaggio dell'albero. Una lama non idonea all'albero sul quale deve essere montata non è in grado



di girare correttamente e potrebbe causare una perdita del controllo dell'apparecchio.

- Utilizzare solo le lame per la lavorazione del legno specificate in questo manuale, conformi allo standard EN 847-1.
- Non utilizzare flange, rondelle e dadi per assicurare la motosega diversi da quelli forniti o indicati nel manuale d'istruzioni.
- Scegliere una lama di sega adatta al materiale da tagliare. Non usare mai il prodotto per tagliare materiali diversi da quelli specificati in questo manuale nella sezione relativa all'uso previsto.
- Durante il taglio è importante evitare il surriscaldamento della lama e l'eventuale fusione di parti in plastica.
- È essenziale rispettare la velocità massima specificata sulla lama per sega. Utilizzare esclusivamente lame per sega contrassegnate con l'indicazione di velocità massima pari o superiore a quella indicata sullo strumento.
- Sostituire l'insero tavolo quando consumato o danneggiato.
- Prima di avviare le operazioni di lavoro, fare un taglio di prova senza accendere il motore in modo da poter controllare la posizione delle lame, il funzionamento dei paralame rispetto alle altre parti delle macchine e i pezzi sui quali si dovrà lavorare.
- Durante l'esecuzione di tagli a 90°, smussi, o obliqui composti, regolare la guida o la sottoguida di appoggio scorrevoli per assicurare una corretta distanza dalla lama.
- Quando il prodotto viene trasportato occorre sempre inserire il dispositivo di blocco della maniglia.
- Rimuovere materiali come trucioli e scarti di legno dalla zona di lavoro.
- Non rimuovere dalla zona di lavorazione i residui di taglio o altre porzioni dei pezzi in lavorazione se la macchina è in funzione e la testa segatrice non si trova in posizione di riposo.
- Pezzi lunghi devono essere supportati adeguatamente. L'area di lavoro della motosega comprende tutta la zona di lavoro. L'operatore dovrebbe assicurare quest'area dal contatto accidentale con altre persone od oggetti che, trovandosi nell'area di lavoro, potranno spostare il pezzo sul quale si sta lavorando durante le operazioni.
- La polvere prodotta durante l'utilizzo del prodotto può essere dannosa per la salute. Utilizzare un sistema di estrazione polvere e indossare una maschera di protezione dalla polvere adatta. Rimuovere completamente la polvere che si è depositata sulle superfici con un aspirapolvere.
- Non sostituire il laser con un tipo di laser diverso. Eventuali riparazioni devono essere eseguite solo dal produttore o da un agente di assistenza autorizzato.
- L'intervallo della temperatura ambiente per l'utensile durante l'azionamento rientra tra 0° C e 40° C.
- L'intervallo della temperatura ambiente per la conservazione dell'utensile rientra tra 0° C e 40° C.
- L'intervallo della temperatura ambiente raccomandato per il sistema di carica durante la carica rientra tra 10°

C e 38° C.

## TRASPORTARE BATTERIE AL LITIO

Trasportare la batteria secondo quando indicato dalle norme e regolamentazioni locali e nazionali.

Seguire tutte le istruzioni speciali riportate sulla scatola e sull'etichetta quando si fanno trasportare batterie da eventuali terzi. Assicurarsi che le batterie non entrino in contatto con altre batterie o materiali conduttivi durante il trasporto proteggendo i connettori esposti con tappi isolanti, non conduttivi o nastro adesivo. Non trasportare batterie rotte o che perdono liquidi. Rivolgersi alla ditta distributrice per ulteriori consigli.

## AVVERTENZE AGGIUNTIVE PER LA SICUREZZA DELLA BATTERIA

### ⚠ AVVERTENZE

Per ridurre il rischio d'incendio, di lesioni o di danni al prodotto causati da corto circuito, non immergere mai l'utensile, la batteria ricaricabile o il carica batterie in un liquido e non lasciare mai penetrare alcun liquido all'interno dei dispositivi e delle batterie. I fluidi corrosivi o conduttori come acqua salata, alcuni agenti chimici, agenti candeggianti o prodotti contenenti agenti candeggianti potrebbero provocare un corto circuito.

- L'intervallo della temperatura ambiente per la batteria durante l'utilizzo rientra tra 0° C e 40° C.
- L'intervallo della temperatura ambiente per la conservazione della batteria rientra tra 0° C e 20° C.

## LASER DI SICUREZZA

- Le radiazioni della guida al raggio laser utilizzate nella motosega sono di Classe 2 con lunghezze d'onda massima di  $\leq 1\text{mW}$  e 650nm. Non fissare direttamente il raggio laser. La mancata osservanza delle regole potrà causare gravi lesioni alla persona.
- Non fissare il raggio durante le operazioni.
- Non proiettare il raggio laser direttamente negli occhi degli altri. Si potranno riportare gravi lesioni personali.
- Non mettere il laser in una posizione che potrà costringere a fissare intenzionalmente o non intenzionalmente il raggio laser.
- Non utilizzare utensili ottici per visualizzare il raggio laser.
- Non mettere in funzione il laser accanto a bambini né permettere a bambini di mettere in funzione il laser.
- Non tentare di svolgere riparazioni al dispositivo laser da soli.
- Non tentare di modificare da soli alcuna parte del dispositivo.
- Tutte le riparazioni dovranno essere svolte dalla ditta produttrice del laser o da un agente autorizzato.
- Non sostituire il laser con un tipo di laser diverso.

## RISCHI RESIDUI

Anche quando il prodotto viene utilizzato come indicato, sarà ancora impossibile eliminare completamente alcuni fattori di rischio residuo. Si potranno verificare i seguenti rischi e l'operatore dovrà prestare particolare attenzione per evitare quanto segue:

- Rischio di contatto con le parti scoperte delle lame rotanti.
- Rimbalzo dei pezzi sui quali si sta lavorando e parti dei pezzi sui quali si sta lavorando causati da una gestione scorretta.
- Rimbalzo di punte al carburo fallate dalla motosega.
- Danni al sistema respiratorio.

**NOTE:** Indossare maschere di protezione contenenti filtri adeguati ai materiali che si stanno manipolando. Assicurarsi una adeguata ventilazione del luogo di lavoro. Non mangiare, bere, né fumare nell'area di lavoro.

- Danni all'udito nel caso in cui non si indossino cuffie.

## ⚠ AVVERTENZE

La polvere di alcune vernici, rivestimenti e materiali potrà causare irritazioni o reazioni allergiche al sistema respiratorio. La polvere prodotta da legno come quercia, betulla, pannelli di fibra a media densità (MDF) e altri tipi di legname è cancerogena. Materiali contenenti amianto devono essere lavorati o manipolati solo da operatori specializzati qualificati.

## ⚠ AVVERTENZE

L'utilizzo prolungato dell'utensile potrà causare o aggravare lesioni già esistenti. Quando si utilizza questo utensile per periodi di tempo prolungati, assicurarsi di fare sempre delle pause regolari.

## FAMILIARIZZARE CON IL PRODOTTO

Vedere a pagina 215.

1. Impugnatura con superficie isolata antiscivolo
2. Interruttore alimentazione
3. Manico di blocco di sicurezza
4. Paralame superiore
5. Lama sega
6. Paralame inferiore
7. Tope-guida principal
8. Piattaforma girevole
9. Base
10. Insetto tavolo
11. Manico di blocco piattaforma girevole
12. Piede di bilanciamento
13. Barra antiribaltamento
14. Interruttore laser
15. Maniglia superiore, superficie isolata antiscivolo
16. Flangia
17. Funzione di arresto staffa
18. Leva di bloccaggio dell'angolo di inclinazione
19. Morsetto.
20. Paralame a scorrimento

21. Foro di supporto
22. Barra estendibile
23. Tornillos para la barrera principal de bloqueo
24. Pulsante di bloccaggio dell'albero
25. Gruppo batterie
26. Sacchetto per la polvere
27. Manopola di regolazione profondità di taglio
28. Funzione di arresto massima profondità di taglio
29. Manopola di blocco asta lineare
30. Viti per la regolazione del limite di arresto dell'angolo di smussatura
31. Chiave esagonale

## FUNZIONAMENTO

Il prodotto comprende una lama in movimento che può essere impostata a vari angoli dall'operatore quando si taglia un pezzo di lavoro assicurato alla base del prodotto. L'utensile deve essere messo in funzione da una sola persona per evitare contatto non intenzionale con le lame in movimento.

I principi per operazioni di funzionamento sicure del prodotto sono quelli che seguono:

- Mantenere la motosega, le lame e l'area di lavoro in ottime condizioni.
- Assicurare la motosega per tagli obliqui a un tavolo da lavoro solido. Il prodotto potrà spostarsi e rovesciarsi se non viene adeguatamente assicurato.
- Impostare e bloccare gli angoli di taglio e la profondità prima di passare al taglio vero e proprio.
- Assicurare il pezzo sul quale si sta lavorando alla base della motosega per tagli obliqui. Utilizzare il morsetto fornito e, quando necessario, utilizzare gli ulteriori morsetti o meccanismi di supporto per prevenire movimenti non intenzionali del pezzo sul quale si sta lavorando durante le operazioni di lavoro.
  - Verificare che il funzionamento dei paralame non sia limitato dalla posizione del pezzo sul quale si sta lavorando.
  - Assicurarsi che il paralame e altre parti del prodotto non verranno tagliate quando la lama di abbassa nella posizione di taglio.
- Avviare il motore e lasciare che la lama raggiunga la piena velocità prima di abbassarla lentamente per tagliare il pezzo sul quale si sta lavorando. Far scorrere il gruppo lama all'indietro per completare il taglio secondo necessità.
- Lasciare che il gruppo lame si alzi nella posizione superiore durante la quale i paralame si chiuderanno completamente. Spegnerne il motore e lasciare che la lama si sia completamente arrestata prima di spostare il pezzo sul quale si sta lavorando o gli eventuali scarti, o prima di protendersi nella zona lame.

Prima del primo utilizzo, assicurarsi che l'angolo di smussatura o della sega per tagli obliqui impostato sul prodotto sia lo stesso di quello da riprodurre sul pezzo sul quale si sta lavorando. Verificare quanto indicato sopra su un pezzo di legno in più utilizzando una riga da carpentiere o una squadra obliqua.





### ⚠ AVVERTENZE

La ditta produttrice raccomanda fortemente di assicurare sempre il prodotto alla superficie di un tavolo da lavoro.

Quando la base del prodotto è saldamente fissata a un banco per mezzo di quattro dadi, bulloni e rondelle come da istruzioni, il prodotto può essere usato alla massima impostazione per i tagli a 90° e smussati senza il rischio che si capovolga. Se il prodotto non è assicurato correttamente, potrà perdere l'equilibrio quando si selezionano ampi angoli di smussatura.

Nella parte anteriore della base della sega per tagli obliqui è stata montata una barra estendibile che dovrebbe essere estratta per tutta la sua lunghezza. Ciò aiuterà a prevenire la perdita di bilanciamento della motosega per tagli obliqui. Il dispositivo è inoltre dotato di una vite regolabile (piedino di bilanciamento) che si estende dalla parte inferiore della piattaforma girevole estendibile. Questa vite può essere regolata in modo da toccare la superficie piatta contro la quale il prodotto viene poggiato. Ciò eviterà inoltre che il prodotto perda l'equilibrio quando si taglia per tutta la lunghezza dello scorrimento e della smussatura. Fare attenzione, questa parte del tavolo della motosega si muove quando vengono selezionati altri angoli obliqui, quindi la vite deve essere frequentemente regolata e resettata.

### MANUTENZIONE

- Non modificare il prodotto in alcun modo né utilizzare accessori non approvati dalla ditta produttrice. La sicurezza dell'utente e quella degli altri potrà essere compromessa.
- Non utilizzare il prodotto se interruttori, paralame o altre applicazioni non funzionano come dovrebbero. Riportare presso un centro servizi autorizzato per riparazioni professionali o regolazioni.
- Non fare alcuna regolazione mentre la lama è in movimento.
- Prima di eseguire regolazioni, lubrificare o mantenere il prodotto, assicurarsi sempre di aver rimosso il gruppo batteria dal prodotto.
- Prima e dopo ogni utilizzo, controllare eventuali danni o parti rotte sull'utensile. Tenere il prodotto in condizioni di funzionamento ottimali sostituendo parti con ricambi approvati dalla ditta produttrice.
- La lama presenta dei bordi affilati e dopo le operazioni di taglio può rimanere calda. Usare estrema cautela durante la pulizia di una lama esposta. Indossare dei guanti per evitare lesioni.
- Pulire la polvere depositata sulla sega e sugli accessori regolarmente, con particolare riguardo alle mobili, compreso il dispositivo di protezione della lama. Utilizzare un pennello a mano o un aspirapolvere per rimuovere la polvere in modo efficace. No utillce aire comprimido.
- Per assicurarsi sicurezza e affidabilità, tutte le riparazioni compreso il cambio delle spazzole, dovranno essere svolte da un centro servizi autorizzato.

### ⚠ AVVERTENZE

Non tentare di smontare il gruppo di protezione della lama per operazioni di pulizia o riparazione. Non utilizzare protezioni danneggiate. Inviare il prodotto a un centro di assistenza autorizzato per la riparazione o la sostituzione.

### ⚠ AVVERTENZE

Per maggiore sicurezza e affidabilità, tutte le riparazioni dovranno essere svolte da un centro servizi autorizzato.

### Taratura degli angoli per i tagli a 90° e a smusso

Se è necessaria la taratura degli angoli per i tagli a 90° e a smusso, seguire le istruzioni riportate alle pagg. 236-242.

### Funzione di arresto massima profondità di taglio

Il dispositivo di blocco profondità massima di taglia è indicato per prevenire tagli da parte della motosega nella base in metallo dell'unità.

### ⚠ AVVERTENZE

Il blocco massimo della profondità massima di taglio non è regolabile dall'utente. Non regolare l'arresto della profondità massima di taglio.

### TRASPORTO E RIPONIMENTO

- Quando si ripone il prodotto, rimuovere la batteria. Riporre il prodotto in un luogo sicuro non accessibile ai bambini.
- Pulire il prodotto con una spazzola e un aspirapolvere prima di riporlo.
- Se si rimuove la motosega o si conservano parti di ricambio assieme all'unità, assicurarsi che si trovino nell'involucro originale per prevenire eventuali lesioni.

### Per assicurare il prodotto prima di spostarlo:

- Il prodotto dovrà essere risposto con la sega per tagli obliqui e l'angolo di smussatura su zero e con il dispositivo di blocco inserito. Il dispositivo a scorrimento deve essere bloccato. Il manico dovrebbe essere bloccato nella posizione inferiore (sicura) con i paralame chiusi.
- Per facilitare il trasporto è possibile rimuovere la barre di prolunga su uno o entrambi i lati.

### Per spostare o trasportare il veicolo:

- Assicurare il prodotto prima di spostarlo come descritto nel manuale.
- Rimuovere il prodotto dalla superficie del tavolo di lavoro allentando i 4 bulloni, uno per ciascun lato. Assicurare i bulloni per eventuali utilizzi futuri. Alzare il prodotto utilizzando il manico nella parte superiore.
- Quando si alza il prodotto a una determinata altezza, due persone con guanti da lavoro pesanti dovranno alzare la base del prodotto.

EN  
FR  
DE  
ES  
IT  
NL  
PT  
DA  
SV  
FI  
RU  
RO  
PL  
CS  
HU  
RO  
LV  
LT  
ET  
HR  
SL  
SK  
BG  
UK  
TR  
EL



- Quando si trasporta in un veicolo, montare il prodotto sulla base e assicurarlo in modo che non possa spostarsi.

## TUTELA DELL'AMBIENTE



Riciclare le materie prime anziché gettarle tra i rifiuti domestici. Per tutelare l'ambiente, l'apparecchio, gli accessori e gli imballaggi devono essere smaltiti separatamente.

## SIMBOLI SUL PRODOTTO



Indicazioni sicurezza



Conformità CE



Marchio di conformità EurAsian



Marchio di conformità ucraino



Leggere attentamente le istruzioni prima di avviare l'utensile.



Indossare cuffie di protezione



Indossare sempre occhiali di protezione.



Tenere le mani lontane dall'area di taglio e dalla lama.



Non esporre a pioggia né utilizzare in ambienti umidi.



Indossare guanti di sicurezza



Direzione di rotazione della lama (indicata sulla lama)



Direzione di rotazione lama (indicata sul paralame)



Larghezza del taglio prodotto dalla lama (Kerf)



Numero di denti su questa lama



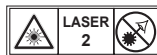
Capacità di taglio



Per il taglio di legno e materiali analoghi



Non utilizzabile per il taglio di metalli



Radiazioni laser.  
Non fissare il raggio.  
Prodotto al laser di Classe 2



I prodotti elettrici non devono essere smaltiti con i rifiuti domestici. Vi sono strutture per smaltire tali prodotti. Informarsi presso il proprio Comune o rivenditore di sicurezza per smaltire adeguatamente tali rifiuti.

## SIMBOLI NEL MANUALE



Blocco



Sblocco



Il meccanismo di blocco non sta funzionando



Parti o accessori venduti separatamente



Note



Avvertenze

I seguenti simboli indicano i livelli di rischio associati a questo prodotto.

### ⚠ PERICOLO

Indica una situazione immediatamente pericolosa che, se non evitata, potrà causare gravi lesioni o morte.

### ⚠ AVVERTENZE

Indica una situazione potenzialmente pericolosa che, se non evitata potrà causare gravi lesioni o morte.

### ⚠ ATTENZIONE

Indica una situazione potenzialmente pericolosa che, se non evitata, potrà causare lesioni minori o moderate.

### ATTENZIONE

(Senza simbolo di allarme in materia di sicurezza) Indica una situazione che può provocare danni materiali.



Bij het ontwerpen van uw verstekzaagmachine is de grootst mogelijke nadruk gelegd op veiligheid, goede prestaties en betrouwbaarheid.

## BEOOGD GEBRUIK

De verstekzaagmachine is bedoeld voor het verzagen van massief hout en multiplex, materialen die op hout lijken, met of zonder fineerlaag en kunststof.

Het product is bedoeld voor gebruik door volwassenen die de handleiding hebben gelezen en de risico's en gevaren begrijpen.

Het product is ontworpen op bij de voetplaat te worden bevestigd aan een massief werkblad. Als de basis niet stevig is vastgemaakt, kan de hele machine tijdens het zagen bewegen, wat de kans op ernstige verwondingen verhoogt.

Het product is ontworpen voor het maken van schuine en versteksnedes. De mogelijkheden voor de verschillende snedes staan vermeld in de productspecificaties in deze handleiding.

Het product moet worden gebruikt in droge omstandigheden, met uitstekend omgevingslicht en voldoende ventilatie.

Het product is bedoeld voor doe-het-zelf gebruik en mag uitsluitend zoals hierboven beschreven en dus niet voor andere doeleinden worden gebruikt.

## ALGEMENE VEILIGHEIDSVOORSCHRIFTEN

### ⚠ WAARSCHUWING

**Lees aandachtig alle waarschuwingen, aanwijzingen en specificaties die bij deze machine worden meegeleverd en bestudeer de afbeeldingen.** Als u onderstaande voorschriften niet opvolgt, kan dit leiden tot ongelukken zoals brand, elektrische schokken en/of ernstig lichamelijk letsel.

**Bewaar alle waarschuwingen en instructies voor toekomstig gebruik.** De term "elektrisch gereedschap" in de waarschuwingen heeft betrekking op uw elektrische gereedschap dat wordt aangedreven door een stroomvoorziening (via een kabel) of gereedschap dat werkt op een accu (snoerloos).

### WERKPLEKVEILIGHEID

- **Houd de werkplaats schoon en goed verlicht.** Rommelige of donkere plaatsen nodigen uit tot ongevallen.
- **Gebruik gereedschapswerktuigen niet in explosieve atmosferen, zoals in de aanwezigheid van ontvlambare vloeistoffen, gassen of stof.** Werktuigen kunnen vonken veroorzaken die stof of gassen kunnen ontsteken.
- **Houd kinderen en omstanders weg terwijl u het werktuig gebruikt.** Wanneer u wordt afgeleid kunt u de controle verliezen.

### ELEKTRISCHE VEILIGHEID

- **Werktuigstekkers moeten overeenkomen met de contactdoos. Wijzig de stekker nooit. Gebruik**

**geen adapterstekkers met geaarde werktuigen.** Ongewijzigde stekkers en overeenkomstige contactdozen zullen het risico op elektrische schok verminderen.

- **Vermijd lichaamscontact met geaarde oppervlakken, zoals buizen, radiatoren, fornuizen en koelkasten.** Er bestaat een verhoogd risico op elektrische schokken als uw lichaam geaard is.
- **Stel gereedschapswerktuigen niet bloot aan regen of natte omstandigheden.** Wanneer water een gereedschapswerktuig binnenkomt zal het risico op een elektrische schok toenemen.
- **Misbruik het snoer niet. Gebruik het snoer nooit om het werktuig te dragen of de stekker uit het stopcontact te trekken. Houd het snoer weg van hitte, olie, scherpe randen en bewegende delen.** Beschadigde of verstrikte snoeren verhogen het risico op elektrische schokken.
- **Wanneer u een werktuig buitenshuis gebruikt, gebruikt u een verlengsnoer dat geschikt is voor buitenshuis gebruik.** Gebruik een snoer dat geschikt is voor buitenshuis gebruik, wat het risico op elektrische schok vermindert.
- **Als het noodzakelijk is dat een werktuig in een vochtige omgeving wordt gebruikt, gebruikt u een stroomtoevoer met aardlekschakelaar.** Het gebruik van een aardlekschakelaar vermindert het risico op elektrische schok.

### PERSOONLIJKE VEILIGHEID

- **Blijf alert, kijk naar wat u doet en gebruik uw gezond verstand wanneer u een werktuig bedient. Gebruik het werktuig niet als u moe bent of onder de invloed bent van drugs, alcohol of medicijnen.** Een ogenblik van onoplettendheid terwijl u gereedschapswerktuigen gebruikt, kan leiden tot ernstige persoonlijke letsels.
- **Draag persoonlijke beschermingsmiddelen. Draag altijd gezichtsbescherming.** Gebruik van beschermingsmiddelen zoals een stofmasker, anti-slip veiligheidsschoenen, veiligheidshelm of gehoorbescherming leidt tot minder persoonlijk letsel.
- **Vermijd ongewild starten. Schakel de schakelaar uit voordat u het product aansluit op de voeding en/of accu, oppakt of draagt.** Het dragen van elektrische apparatuur met uw vinger op de schakelaar of het onder spanning zetten van elektrisch apparatuur met ingeschakelde schakelaar leidt tot ongevallen.
- **Verwijder alle afstelsleutels voor u het werktuig inschakelt.** Een sleutel die op een ronddraaiend onderdeel van het werktuig achterblijft, kan leiden tot lichamelijke letsels.
- **Overrek u niet. Houd steeds een goed evenwicht en sta stevig met beide voeten op de grond.** Dit geeft u een betere controle over het werktuig in onverwachte omstandigheden.
- **Draag aangepaste kleding. Draag geen losse kledij of juwelen. Houd uw haar en kleding uit de buurt van bewegende delen.** Losse kledij, juwelen of lang haar kan in bewegende delen vast raken.
- **Als er apparatuur wordt meegeleverd voor het**

EN  
FR  
DE  
ES  
IT  
NL  
PT  
DA  
SV  
FI  
NO  
RU  
PL  
CS  
HU  
RO  
LV  
LT  
ET  
HR  
SL  
SK  
BG  
UK  
TR  
EL



aansluiten van stofafzuiging, dient u ervoor te zorgen dat deze op de juiste wijze wordt aangesloten en gebruikt. Het gebruik van stofafzuiging leidt tot minder stofgerelateerde risico's.

- **Voorkom dat u door het frequent gebruik van gereedschappen laks wordt en de veiligheidsvoorschriften uit het oog verliest.** Een zorgeloze handeling kan binnen een fractie van een seconde ernstig letsel veroorzaken.

## GEbruik EN ONDERHOUD VAN EEN ELEKTRISCH WERKTUIG

- **Forceer de machine niet. Gebruik het juiste product voor uw toepassing.** Het correcte product zal de taak beter en veiliger uitvoeren aan het tempo waarvoor het is ontworpen.
- **Gebruik het werktuig niet als de schakelaar het werktuig niet in- of uitschakelt.** Een werktuig dat niet met de schakelaar kan worden bediend, is gevaarlijk en moet worden gerepareerd.
- **Haal de stekker uit de stroombron en/of verwijder de accu, indien deze afneembaar is, uit het elektrische gereedschap voordat u wijzigingen aanbrengt, accessoires wijzigt of het elektrische gereedschap opbergt.** Dergelijke preventieve veiligheidsmaatregelen verminderen het risico dat het product per ongeluk wordt ingeschakeld.
- **Bewaar niet-gebruikte werktuigen buiten het bereik van kinderen en laat personen die niet vertrouwd zijn met het werktuig of deze instructies, het werktuig niet gebruiken.** Werktuigen zijn gevaarlijk in de handen van niet-opgeleide gebruikers.
- **Elektrisch gereedschap en accessoires moeten worden onderhouden. Controleer op foutieve aflijning of binding van bewegende delen, defecten van onderdelen en alle andere omstandigheden die de werking van het werktuig kunnen beïnvloeden. Indien beschadigd, laat u het werktuig onderhouden voor u het gebruikt.** Veel ongevallen worden veroorzaakt door slecht onderhouden werktuigen.
- **Snijgereedschap moet scherp en schoon worden gehouden.** Goed onderhouden snijgereedschap met scherpe snijranden zal minder snel vastlopen en is gemakkelijker te beheersen.
- **Gebruik het product, de accessoires, bitjes, enz., in overeenstemming met deze instructies, en houd rekening met de werkomstandigheden en de uit te voeren werkzaamheden.** Het gebruik van het werktuig voor niet-voorgescreven gebruik kan leiden tot gevaarlijke situaties.
- **Handvatten en grijpvlakken moeten droog, schoon en vrij van vet en olie worden gehouden.** Als handvatten en grijpvlakken glibberig zijn, kan het gereedschap in onverwachte situaties niet veilig worden gebruikt en beheerst.

## GEbruik EN VERZORGING VAN DE ACCU

- **Laad alleen op met de oplader die door de fabrikant is aangegeven.** Een oplader die geschikt is voor een batterijtype kan brandgevaar veroorzaken wanneer het voor een andere batterij wordt gebruikt.

- **Gebruik elektrisch gereedschap uitsluitend met speciaal hiervoor bedoelde accu's.** Het gebruik van andere accu's kan letsel en brand veroorzaken.
- **Wanneer het batterijpack niet wordt gebruikt, houdt u het weg van andere metalen voorwerpen, zoals paperclips, muntstukken, sleutels, nagels, schroeven of andere kleine metalen voorwerpen die een verbinding van de ene naar de andere terminal kunnen maken.** Het op elkaar kortsluiten van accupolen kan leiden tot brandwonden of brand.
- **Bij verkeerd gebruik kan vloeistof uit de batterij lekken; vermijd contact. Als per ongeluk contact wordt gemaakt, spoel dan met water. Schakel bovendien medische hulp in als er vloeistof in de ogen komt.** Uit de accu afkomstige vloeistof kan irritatie of brandwonden veroorzaken.
- **Gebruik geen beschadigde of aangepaste accu of gereedschap.** Beschadigde of aangepaste accu's kunnen onvoorspelbaar gedrag vertonen en leiden tot brand, explosies of kans op letsel.
- **Stel accu's of gereedschap niet bloot aan vuur of hoge temperaturen.** Blootstelling aan vuur of aan temperaturen boven 130°C kan explosies veroorzaken.
- **Volg alle instructies en laad de accu of het gereedschap niet op buiten het temperatuurbereik dat in de handleiding wordt aangegeven.** Onjuist opladen of opladen bij temperaturen buiten het aangegeven bereik kan schade aan de accu veroorzaken en de kans op brand verhogen.

## ONDERHOUD

- **Laat uw werktuig door een gekwalificeerde reparateur onderhouden en gebruik uitsluitend identieke vervangonderdelen.** Dit zal ervoor zorgen dat de veiligheid van het gereedschap wordt bewaard.
- **Beschadigde accu's mogen niet worden onderhouden.** Onderhoud van accu's mag uitsluitend worden uitgevoerd door de fabrikant of erkende dienstverleners.

## VEILIGHEIDSinSTRUCTIES VOOR VERSTEKZAGEN

- **Een verstekzaag is bedoeld voor het zagen van hout of houtachtige producten. Hij kan niet met doorslijpmessen worden gebruikt voor het zagen van ijzerhoudende materialen zoals stangen, staven en pijpen. Schuurstof kan ertoe leiden dat bewegende delen zoals de onderste beschermkap vastlopen.** Vonken veroorzaakt door slijpen geven brandvlekken op de onderste beschermkap, de zaagsnede en overige plastic delen.
- **Gebruik, waar mogelijk, klemmen om het werkstuk te ondersteunen. Wanneer u het werkstuk met de hand ondersteunt, dient u uw hand aan weerszijden van het zaagblad minimaal 100 mm ervan verwijderd te houden. Gebruik deze zaag niet om delen te zagen die te klein zijn om stevig vast te klemmen of met de hand vast te houden.** Als uw hand te dicht bij het zaagblad wordt geplaatst, bestaat er een verhoogde kans op letsel door contact met het zaagblad.



- **Het werkstuk moet stationair zijn en zowel tegen de kap als tegen de tafel zijn aangeduwd of geklemd. Het werkstuk mag niet in het zaagblad worden gevoerd of op welke wijze dan ook uit de 'vrije hand' worden gezaagd.** Losse of bewegende werkstukken kunnen met hoge snelheid worden weggeslingerd en letsel veroorzaken.
- **Duw de zaag door het werkstuk. De zaag mag niet door het werkstuk worden getrokken. Om een snede te maken, duwt u de zaagkop omhoog en trekt u deze zonder te zagen over het werkstuk. Vervolgens start u de motor, duwt de zaagkop omlaag en duwt u de zaag door het werkstuk.** Als u gaat zagen tijdens het trekken, loopt het zaagblad waarschijnlijk het werkstuk op en wordt het zaagdeel krachtig in de richting van de gebruiker geworpen.
- **Laat uw hand nooit de bedoelde zaaglijn doorkruisen, niet vóór maar ook niet achter het zaagblad.** Het is erg gevaarlijk om het werkstuk 'kruislings' te ondersteunen, dus om het werkstuk rechts van het zaagblad met uw linkerhand, of andersom, vast te houden.
- **Als het zaagblad draait, mag u met uw handen niet dichter dan 100 mm aan elke zijde van het zaagblad achter de kap reiken om houtsnippers weg te halen of om welke andere reden dan ook.** Het hoeft niet meteen duidelijk te zijn dat het draaiende zaagblad zich vlakbij uw hand bevindt, zodat u ernstig letsel kunt oplopen.
- **Inspecteer het werkstuk voordat u begint met zagen. Als het werkstuk verbogen of krom is, dient u dit met de naar de buitenzijde verbogen kant richting de kap vast te klemmen. U dient er altijd voor te zorgen dat zich langs de zaaglijn geen spleet tussen het werkstuk, de kap en de tafel bevindt.** Verbogen of kromme werkstukken kunnen verschuiven of verbuigen en kunnen ervoor zorgen dat het ronddraaiende zaagblad tijdens het zagen vastloopt. Er mogen zich geen spijkers of vreemde voorwerpen in het werkstuk bevinden.
- **U mag de zaag pas gebruiken als er op de tafel geen gereedschappen, houtschilfers e.d. liggen, maar uitsluitend het werkstuk.** Klein afval, losse stukjes hout of andere objecten die in contact komen met de ronddraaiende zaag, kunnen met hoge snelheid worden weggeslingerd.
- **Zaag slechts één werkstuk tegelijk.** Op elkaar gestapelde meerdere werkstukken kunnen niet goed worden vastgeklemd of geduwd; de zaag kan erop vastlopen of de werkstukken kunnen tijdens het zagen verschuiven.
- **Zorg ervoor dat de verstekzaag vóór gebruik op een vlakke en stevige ondergrond is geplaatst of gemonteerd.** Een vlak en stevig werkblad verkleint de kans dat de verstekzaag onstabiel wordt.
- **Plan uw werk. Telkens wanneer u de hoek- of verstekstand aanpast, dient u ervoor te zorgen dat de verstelbare kap correct is ingesteld om het werkstuk te ondersteunen, en niet in de weg zit van het zaagblad of het geleidesysteem.** Duw het zaagblad, zonder het gereedschap in de stand "ON"

te schakelen en zonder werkstuk op de tafel, door een volledige gesimuleerde snede om te controleren dat er niets in de weg zit en dat de kap niet door het zaagblad wordt geraakt.

- **Zorg voor voldoende ondersteuning zoals een verlenging van de tafel, zaagbok enz. als het werkstuk groter is dan de bovenkant van de tafel.** Werkstukken die langer of breder zijn dan de tafel van de verstekzaag kunnen kantelen als ze niet voldoende worden ondersteund. Als het afgezaagde stuk of het werkstuk zelf kantelt, kan hierdoor de onderste kap omhoog komen of kan het door het ronddraaiende zaagblad worden weggeslingerd.
- **Gebruik geen ander persoon als vervanging van een verlengstuk van de tafel of als extra ondersteuning.** Instabiele ondersteuning van het werkstuk kan ervoor zorgen dat het zaagblad vastloopt of dat het werkstuk tijdens het zagen verschuift, en dat u en de helpende persoon naar het ronddraaiende zaagblad worden getrokken.
- **Het afgezaagde stuk mag op geen enkele manier tegen het ronddraaiende zaagblad vastlopen of worden gedrukt.** Indien het wordt vastgeduwd, bijvoorbeeld door stops in de lengte toe te passen, kan het afgezaagde stuk tegen het zaagblad vast komen te zitten en met geweld worden weggeslingerd.
- **Gebruik altijd een klem of een ander hulpstuk dat is ontworpen om rond materiaal zoals stangen of buizen goed te ondersteunen.** Staven gaan tijdens het zagen vaak rollen, waardoor het zaagblad zich vast 'bijt' en het werkstuk samen met uw hand onder de zaag trekt.
- **Laat het zaagblad op volle snelheid komen voordat het in contact komt met het werkstuk.** Dit zal de kans verkleinen dat het werkstuk wordt weggeslingerd.
- **Als het werkstuk of het zaagblad vastloopt, schakelt u de verstekzaag uit. Wacht tot alle bewegende delen tot stilstand zijn gekomen, en koppel de stekker los van de stroombron en/of verwijder de accu. Probeer vervolgens pas het vastgeklemd materiaal te verwijderen.** Wanneer u door blijft zagen terwijl het werkstuk vast zit, kan dit leiden tot controleverlies of beschadiging van de verstekzaag.
- **Nadat u de snede hebt afgerond, laat u de schakelaar los, houdt u de zaagkop omlaag en wacht u tot het zaagblad tot stilstand is gekomen alvorens u het afgezaagde stuk verwijdert.** Het is gevaarlijk om met uw hand in de buurt van het vrij draaiende zaagblad te komen.

## VEILIGHEIDSINSTRUCTIES VOOR HOUTZAAGBLAD

- Lees de handleiding en de instructies zorgvuldig door voordat u het zaagblad en het product gebruikt.
- Het elektrische gereedschap moet in goede conditie zijn, waarbij de spindel zonder vervorming en trilling is.
- Gebruik het product niet als de beschermkappen niet in de goede stand staan. Zorg dat de bescherming goed blijft werken en goed onderhouden blijft.
- Zorg ervoor dat de gebruikers voldoende getraind is in





veiligheidsvoorzorgen, het afstellen en bedienen van het product.

- Draag bij het gebruik van het product altijd een veiligheidsbril en gehoorbescherming. Het is aangewezen om handschoenen, stevige en antislipschoenen en een schort te dragen.
- Voor u een accessoire gebruikt, raadpleegt u de gebruiksaanwijzing. Het onjuiste gebruik van een accessoire kan leiden tot schade en verhoogt de kans op letsel.
- Gebruik uitsluitend zaagbladen die in deze gebruiksaanwijzing worden gespecificeerd en die overeenstemmen met EN 847 - 1.
- Houd rekening met de maximumsnelheid die op het zaagblad is aangeduid. Controleer of de snelheid die op het zaagblad staat vermeld ten minste gelijk is aan de snelheid die op de zaag staat vermeld.
- Gebruik altijd zaagbladen waarvan de grootte en de vorm geschikt zijn voor de dikte van de as. Zaagbladen die niet geschikt zijn voor de as waarop ze moeten worden gemonteerd zullen niet op de juiste manier ronddraaien en kunnen u de macht over de machine doen verliezen.
- Gebruik geen zaagbladen met een grotere of kleinere diameter dan aangewezen. Gebruik geen afstandhouders om het zaagblad op de as te doen passen.
- Controleer de punten van het zaagblad vóór gebruik op schade en een abnormaal uiterlijk. Punten die zijn beschadigd of loszitten kunnen tijdens het gebruik veranderen in vliegende objecten en verhogen het risico op persoonlijk letsel.
- Gescheurde zaagbladen of welke van vorm veranderd zijn, mogen niet gebruikt worden. Gebruik geen zaagbladen die beschadigd of vervormd zijn.
- Gooi de zaag weg als het is beschadigd, vervormd, verbogen of gescheurd; repareren is niet toegestaan.
- Gebruik geen HSS-zaagbladen.
- Zorg ervoor dat het zaagblad correct is gemonteerd, en draai de spanmoer vóór gebruik stevig vast (aanhaalmoment ong. 12-15 Nm).
- Bevestigingsschroeven en moeren moeten met de juiste sleutel ed. worden aangehaald.
- Het verlengen van de spanner of aanhalen met behulp van hamerslagen is niet toegestaan.
- Zorg ervoor dat alle zaagbladen en flensen schoon zijn en de inspringzijden van de kraag zich tegen het zaagblad bevinden.
- Zorg ervoor dat het zaagblad in de juiste richting draait.
- Voor u begint te werken, maakt u een testsnede zonder dat de motor is ingeschakeld zodat de positie van het zaagblad, de werking van de beschermers m.b.t. andere machine-onderdelen en het werkstuk kunnen worden gecontroleerd.
- Laat het product nooit onbeheerd achter.
- Gebruik geen smeermiddelen op het zaagblad wanneer dit draait.
- Voer nooit reinigings- of onderhoudswerken uit wanneer de machine nog draait en de kop zich niet in

de rustpositie bevindt.

- Probeer de machine nooit te stoppen als die in beweging is door een werktuig of een ander voorwerp tegen het zaagblad te klemmen aangezien dit ernstige ongevallen kan veroorzaken.
- Alvorens het zaagblad te vervangen of onderhoud uit te voeren moet het product worden losgekoppeld van de stroomvoorziening, of moet de accu worden verwijderd.
- Wees voorzichtig bij in- en uitpakken van de zaagbladen, de scherpe bladpunten kunnen makkelijk tot verwondingen leiden.
- Gebruik de zaagbladhouder of draag handschoenen bij het manipuleren van zaagbladen.
- Bewaar en berg het zaagblad in zijn originele verpakking of een andere geschikte verpakking op, bewaar in droge omstandigheden en houd weg van chemische stoffen die de zaagbladen kunnen beschadigen.

#### AANVULLENDE VEILIGHEIDSWAARSCHUWINGEN

- Klem het werkstuk altijd veilig en stevig vast.
- Waarborg dat de machine altijd veilig staat (bijv. op de werkbank bevestigen).
- Draag oorbeschermers. Blootstelling aan geluid kan het gehoor beschadigen.
- Draag bij gebruik van het product altijd een veiligheidsbril. Het is aangewezen om handschoenen te dragen als u de zaagbladen of ruwe materialen manipuleert, antislipschoenen als bescherming voor de voeten indien het werkstuk van het werkbereik valt.
- Alvorens onderhoud uit te voeren of het product te reinigen moet het product worden losgekoppeld van de stroomvoorziening, of moet de accu worden verwijderd.
- Plaats de accu uitsluitend als het product is uitgeschakeld.
- Reik nooit in het gebied rond het zaagblad tenzij het zaagblad volledig is stilgevallen.
- Controleer het product en de accu vóór gebruik grondig op beschadigingen of materiaalmoetheid. Reparaties van het gehele product mogen uitsluitend worden uitgevoerd door een erkend servicecentrum.
- Gebruik altijd de beschermkappen op het product. Gebruik het product niet als de beschermkappen niet op hun plek zitten of niet goed functioneren.
- De ondereste zaagbescherming mag alleen openen wanneer de zaag op het werkstuk verlaagd wordt en moet te allen tijde vrij kunnen bewegen en automatisch sluiten.
- Bij gebruik moeten altijd verlengstaven voor het werkstuk worden aangebracht en gebruikt.
- Het product of zijn functie mag nooit worden aangepast. Uw veiligheid kan in gevaar worden gebracht.
- Gebruik geen gearsten, beschadigde of vervormde zaagbladen.
- Gebruik geen zaagbladen van sneldraaistaal.
- Gebruik uitsluitend scherpe zaagbladen. Vervang stompe zaagbladen.
- Gebruik altijd zaagbladen waarvan de grootte en de





vorm geschikt zijn voor de dikte van de as. Zaagbladen die niet geschikt zijn voor de as waarop ze moeten worden gemonteerd zullen niet op de juiste manier ronddraaien en kunnen u de macht over de machine doen verliezen.

- Gebruik uitsluitend zaagbladen voor houtbewerking zoals gespecificeerd in deze handleiding, die voldoen aan EN 847-1.
- Gebruik geen andere flenzen, sluitringen of moeren om het zaagblad vast te maken dan deze die werden meegeleverd of in de gebruiksaanwijzing werden vermeld.
- Kies een geschikt zaagblad voor het te zagen materiaal. Gebruik het product nooit om materialen te zagen anders dan zoals gespecificeerd in de paragraaf Beoogd gebruik in deze handleiding.
- Het is belangrijk om te vermijden dat het zaagblad oververhit raakt waardoor tijdens het zagen het plastic kan gaan smelten.
- Het is van cruciaal belang dat het maximumtoerental dat op het zaagblad vermeld staat wordt aangehouden; gebruik alleen zaagbladen die geschikt zijn voor een toerental (snelheid) dat gelijk is of hoger dan het toerental dat vermeld staat op het gereedschap.
- Vervang het tafelinzetstuk wanneer het versleten of beschadigd is.
- Voor u begint te werken, maakt u een testsnede zonder dat de motor is ingeschakeld zodat de positie van het zaagblad, de werking van de beschermers m.b.t. andere machine-onderdelen en het werkstuk kunnen worden gecontroleerd.
- Bij het uitvoeren van verstek-, haakse of samengestelde versteksnedes, dient u het schuifhek of onderhek aan te passen om ervoor te zorgen dat het zaagblad genoeg ruimte heeft.
- Bij transport van het product moet de hendelvergrendeling altijd zijn ingeschakeld.
- Houd de vloer vrij van los materiaal, vb. zaagafval.
- Verwijder geen zaagresten of andere delen van werkstukken uit het zaagbereik wanneer de machine in bedrijf is en de zaagkop zich niet in de ruststand bevindt.
- Lange werkstukken moeten goed gesteund worden. Het werkgebied van de zaag omvat de hele lengte van het werkstuk. De bediener moet dit gebied afsluiten tegen accidenteel contact met andere personen of voorwerpen die het werkstuk kunnen bewegen tijdens de werking.
- De stof die bij het gebruik van het product vrijkomt kan een gevaar voor de gezondheid vormen. Gebruik een stofextractiesysteem en draag een geschikte stofmasker. Verwijder de neergeslagen stof zorgvuldig, bijv. met een stofzuiger.
- Vervang de laser niet door een ander type. Reparaties mogen uitsluitend worden uitgevoerd door de fabrikant of een bevoegde onderhoudsdealer.
- Toegestane omgevingstemperatuur voor het gereedschap tijdens gebruik ligt tussen 0°C en 40°C.
- Toegestane omgevingstemperatuur voor het

gereedschap bij opslag ligt tussen 0°C en 40°C.

- De aanbevolen omgevingstemperatuur voor het laadsysteem tijdens het laden ligt tussen 10°C en 38°C.

## VERVOEREN VAN LITHIUM BATTERIJEN

Vervoer de accu in overeenstemming met de plaatselijke en nationale voorzieningen en regelgevingen.

Volg alle speciale vereisten op de verpakking en etiketten bij het vervoeren van batterijen door een derde partij. Zorg dat de batterijen tijdens het vervoer niet in contact komen met andere batterijen of geleidende materialen door de blootliggende aansluitpunten te beschermen met een isolerende, niet-geleidende dop of tape. Geen gekraakte of lekkende accu's vervoeren. Controleer bij het doorsturende bedrijf voor verder advies.

## EXTRA WAARSCHUWINGEN BATTERIJVEILIGHEID

### ⚠ WAARSCHUWING

Voorkom brand, persoonlijk letsel of materiële schade door kortsluiting en dompel het gereedschap, de wisselaccu en het laadtoestel niet onder in vloeistoffen en waarborg dat geen vloeistoffen in de apparaten en accu's kunnen dringen. Corrosieve of geleidende vloeistoffen zoals zout water, bepaalde chemicaliën, bleekmiddelen of producten die bleekmiddelen bevatten, kunnen een kortsluiting veroorzaken.

- Toegestane omgevingstemperatuur voor de accu tijdens gebruik ligt tussen 0°C en 40°C.
- Toegestane omgevingstemperatuur voor opslag van de accu ligt tussen 0°C en 20°C.

## LASERVEILIGHEID

- De lasergeleiderstraling die in deze zaagmachine wordt gebruikt is klasse 2 met maximum  $\leq 1\text{mW}$  en 650nm golflengtes. Staar niet rechtstreeks in de laserstraal. Het niet voldoen aan de regels kan ernstig persoonlijk letsel tot gevolg hebben.
- Staar niet in de laserstraal tijdens de werking.
- Projecteer de laserstraal niet rechtstreeks in de ogen van anderen. Ernstige oogletsels kunnen ontstaan.
- Plaats de laser niet in een positie die ertoe kan leiden dat iemand per ongeluk of opzettelijk in de laserstraal kijkt.
- Gebruik geen optische hulpmiddelen om de laserstraal te zien.
- Gebruik de laser niet in de buurt van kinderen en laat kinderen de laser niet bedienen.
- Probeer reparaties aan de laser niet zelf uit te voeren.
- Probeer nooit onderdelen van het lasertoestel zelf te vervangen.
- Alle reparaties mogen uitsluitend door de laserfabrikant of een geautoriseerde onderhoudsagent worden uitgevoerd.
- Vervang de laser niet door een ander type.



## RESTRISICO'S

Zelfs wanneer het product zoals voorgeschreven wordt gebruikt, blijft het onmogelijk om alle restrisico's te voorkomen. De volgende gevaren kunnen optreden bij gebruik en de gebruiker dient speciaal op te letten om het volgende te voorkomen:

- Risico op contact met onbedekte onderdelen van het draaiende zaagblad.
- Kick-back van werkstukken en delen van werkstukken omwille van onjuiste manipulatie.
- Catapulteren van defecte carbidetips van het zaagblad.
- Schade aan de luchtwegen.

### OPMERKING:

Draag ademhalingsbeschermingsmaskers met filters die aangepast zijn aan het materiaal waarmee wordt gewerkt. Zorg voor voldoende ventilatie op de werkplaats. Eten, drinken of roken verboden in het werkgebied.

- Gehoorschade bij het niet dragen van een efficiënte gehoorbescherming.

## ⚠ WAARSCHUWING

Stof van bepaalde verven, coatings of materialen kunnen irritatie of allergische reacties aan de ademhalingswegen veroorzaken. Stof van hout, zoals eik, beuk, MDF en anderen zijn kankerverwekkend. Materiaal dat asbest bevat mag uitsluitend door een gekwalificeerde specialist worden bewerkt of verwerkt.

## ⚠ WAARSCHUWING

Letsels kunnen optreden of verergeren door langdurig gebruik van een gereedschap. Als u een werktuig gedurende langere periodes gebruikt, neem dan regelmatig pauze.

## KEN UW PRODUCT

Zie pagina 215.

1. Hendel, geïsoleerd grijppoppervlak
2. Aan-/uitschakelaar
3. Veiligheidsvergrendelhandvat
4. Bovenste beschermkap
5. Zaagblad
6. Onderste beschermkap
7. Hoofdgeleider
8. Draaitafel
9. Voetplaat
10. Tafelinzetstuk
11. Vergrendelhandvat draaitafel
12. Balansvoet
13. Anti-kantelrail
14. Laserschakelaar
15. Bovenste hendel, geïsoleerd grijppoppervlak
16. Flens
17. Beugelstop
18. Hendel voor vergrendelen van de schuine hoek
19. Klem
20. Glijdende geleider

21. Montageopening
22. Verlenggeleider
23. Schroeven voor vergrendeling van het hoofdhek
24. Asvergrendelingsknop
25. Batterijpak
26. Stofzak
27. Afstelknop zaagdiepte
28. Maximum zaagdieptestop/Veiligheidswaarschuwingen verstekzaag
29. Lineaire staaf stopknop
30. Schroeven om de afschuinhoekmiestop af te stellen.
31. Inbussleutel

## BEDIENING

Het product bevat een bewegend zaagblad dat door de gebruiker in verschillende hoeken kan worden afgesteld wanneer u een werkstuk zaagt dat veilig aan de basis van het product is vastgemaakt. Het mag uitsluitend door een persoon worden bediend om ongewenst contact met het bewegend zaagblad te voorkomen.

De principes voor het veilig bedienen van het product zijn als volgt:

- Houd de zaagmachine, zaagbladen en het werkgebied in een goede conditie.
- Maak de verstekzaagvoet vast aan een stevige werkbank. Het product kan bewegen en kantelen als het niet goed is vastgemaakt.
- Stel de zaaghoeken en -diepte in en vergrendel deze voor u de insnede maakt.
- Maak het werkstuk aan de verstekzaagbasis vast. Gebruik de meegeleverde klem en, indien nodig, gebruik bijkomende klemmen of houdermechanismen om ongewilde bewegingen van het werkstuk tijdens het zagen te voorkomen.
  - Controleer dat de werking van de bladbeschermers niet wordt gehinderd door de positie van het werkstuk.
  - Zorg ervoor dat de geleider en andere onderdelen van het product niet worden geraakt als het zaagblad in de zaagpositie daalt.
- Start de motor en laat het zaagblad op volle snelheid komen voor u het langzaam in het werkstuk laat zakken. Schuif de zaag indien nodig naar achteren om de snede af te ronden.
- Laat het zaagblad tot zijn hoogste positie komen waarbij de zaagbladbeschermers volledig zijn gesloten. Schakel de motor uit en laat het zaagblad volledig stilvallen voor u het werkstuk of het zaagafval verwijdert of voor u in het zaagbladbereik reikt.

Voor elk eerst gebruik, zorgt u ervoor dat de hoek van de afschuining of verstek die op het product is ingesteld overeenkomt met de hoek die op het werkstuk moet worden geproduceerd. Controleer dit op een stuk afvalhout met behulp van een timmermanspotlood of verstekhaak.

## ⚠ WAARSCHUWING

De fabrikant raadt ten zeerste aan om het product altijd stevig op een werkbank gemonteerd te laten.





Zodra de voet van het product stevig met vier moeren, bouten en ringen op de werkbank is bevestigd, zoals is geïnstrueerd, kan het product worden gebruikt bij maximale kant- en verstekinstellingen zonder de mogelijkheid om te kantelen. Als het product niet stevig is vastgemaakt, kan het kantelen wanneer een grote verstekhoek wordt geselecteerd.

Aan de voorzijde van de verstekzaagbasis is er een uittrekbare geleider die volledig moet zijn uitgetrokken. Dit helpt voorkomen dat de verstekzaag overgebalanceerd raakt.

Er is ook een afstelbare schroef (balanceervoet) die vanaf de onderkant van de verlengdraaitafel kan worden uitgeschoven. Deze schroef moet worden afgesteld zodat ze het vlakke oppervlak aanraakt waarop het product rust. Dit voorkomt ook dat het product overgebalanceerd raakt wanneer u de volledige lengte van de zijde en afschuining zaagt. Pas op, dit deel van de zaagtafel beweegt wanneer er verschillende verstekhoeken worden geselecteerd zodat de schroeven regelmatig moeten worden afgesteld en gereset.

## ONDERHOUD

- Wijzig het product niet op een manier die niet door de fabrikant is goedgekeurd en gebruik geen accessoires die niet door de fabrikant zijn goedgekeurd. Uw veiligheid en deze van anderen kan in gevaar worden gebracht.
- Gebruik het product niet als de schakelaars, beschermers of andere functies niet naar behoren werken. Breng naar een geautoriseerd onderhoudscentrum voor professionele herstellingen of afstellingen.
- Voer geen afstellingen uit terwijl het zaagblad beweegt.
- Zorg er altijd voor dat de accu uit het product is verwijderd voordat u afstellingen uitvoert, het product smeert of onderhoud op het product uitvoert.
- Voor en na elk gebruik controleert u het product op schade of gebroken onderdelen. Bewaar het product in een uitstekende conditie door onderdelen onmiddellijk te vervangen door vervangonderdelen die door de fabrikant zijn goedgekeurd.
- De beitelas heeft scherpe randen en kan ook heet blijven na schaaftbewerkingen. Wees zeer voorzichtig bij het reinigen van een blootgelegde beitelas. Draag handschoenen om u te beschermen tegen verwonding.
- Reinig de zaag en zijn accessoires regelmatig om het stof te verwijderen, vooral van de bewegende delen zoals de zaagbladkap. Gebruik een handborstel of een stofzuiger om het stof grondig te verwijderen. Gebruik geen perslucht.
- Om de veiligheid en betrouwbaarheid te garanderen, moeten alle herstellingen, met inbegrip van het vervangen van borstels, door een geautoriseerd onderhoudscentrum worden uitgevoerd.

## ⚠ WAARSCHUWING

Probeer de zaagbladkap niet te demonteren om deze te reinigen of repareren. Beschadigde beschermkappen mogen niet worden gebruikt. Breng het product naar een erkend servicecentrum voor reparatie of vervanging.

## ⚠ WAARSCHUWING

Alle reparaties moeten worden uitgevoerd door een Erkend Ryobi Servicecentrum teneinde de veilige en betrouwbare werking van de machine te garanderen.

## IJking van de verstek- en kanthoek

Indien ijking van de verstek- en kanthoek nodig is, zie pagina's 236 – 242 en volg de ijkinginstructies.

## Maximum zaagdieptestop Veiligheidswaarschuwingen verstekzaag

De maximale zaagdieptestop dient om te voorkomen dat het zaagblad in de metalen basis van de eenheid zaagt.

## ⚠ WAARSCHUWING

De maximale zaagdieptestop kan niet door de gebruiker worden afgesteld. Maximumzaagdieptestop niet wijzigen.

## TRANSPORT EN OPSLAG

- Haal de accu uit het product als u dit gaat opslaan. Bewaar het product op een veilige plaats die niet toegankelijk is voor kinderen.
- Reinig het product met behulp van een borstel en stofzuiger voor u het opbergt.
- Als u het zaagblad verwijdert of vervangbladen bij de machine bewaart, moet u ervoor zorgen dat ze in de originele verpakking worden bewaard om letsels te voorkomen.

## Om het product vast te maken voor u het beweegt:

- Het product moet worden bewaard in een verstek- en afschuinhoek van nul graden en in de vergrendelde positie. De geleider moet vergrendeld zijn. Het handvat moet in de onderste (veilige) positie zijn vergrendeld met gesloten beschermers.
- Één of beide zijden van de verlengstaven kunnen worden verwijderd, zodat het product gemakkelijk kan worden gedragen.

## In een voertuig plaatsen of transporteren:

- Maak het product vast voor u het beweegt, zoals beschreven in de gebruiksaanwijzing.
- Verwijder het product van de werkbank door de 4 bouten, elk aan een hoek, los te maken. Maak de bouten voor toekomstig gebruik vast. Hef het product op met het handvat aan de bovenkant.
- Wanneer u het opheft, zijn twee personen met zware handschoenen nodig om het product van de basis op te heffen.



- Wanneer u het in een voertuig transporteert, plaatst u het product op zijn basis en beveiligt u het tegen beweging.

## MILIEUBESCHERMING



Zorg dat grondstoffen worden gerecycleerd in plaats van weggegooid als afval. Om het milieu te beschermen dient de machine, de accessoires en de verpakking gesorteerd bij een erkend recyclingcentrum te worden aangeleverd.

## SYMBOLEN OP HET PRODUCT



Veiligheidswaarschuwing



EG conformiteit



EurAsian-symbool van overeenstemming



Oekraïens conformiteitssymbool



Lees de instructies zorgvuldig voordat u de machine in gebruik neemt.



Draag gehoorbescherming



Draag altijd gezichtsbescherming.



Houd handen weg van het zaagberek en zaagblad.



Stel niet bloot aan regen of gebruik niet in op vochtige plaatsen.



Draag veiligheidshandschoenen



Draairichting van het zaagblad (weergegeven op het zaagblad)



Bladdraairichting (getoond op de zaagbladbeschermer)



Snijbreedte van het zaagblad (groef)



Aantal tanden op dit zaagblad



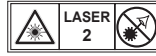
Zaagcapaciteit



Alleen geschikt voor het zagen van hout en vergelijkbaar materiaal



Niet geschikt voor het zagen van metalen



Laserstraling.  
Kijk niet in de laserstraal.  
Klasse 2 laserproduct



Elektrisch afval mag niet samen met ander huishoudafval worden weggegooid. Gelieve te recycleren indien de mogelijkheid bestaat. Neem contact op met uw gemeente of handelaar om advies te krijgen over recyclage.

## SYMBOLEN IN DE GEBRUIKSAANWIJZING



Vergrendeling



Ontgrendeling



Vergrendelmechanisme werkt niet



Onderdelen of accessoires afzonderlijk gekocht



Opmerking



Waarschuwing

De volgende kernwoorden en verklaringen zijn bedoeld om de gevaarniveaus die op dit toestel betrekking hebben, te verklaren.

### ⚠ GEVAAR

Wijst op een gevaarlijke situatie die, indien ze niet wordt vermeden, kan leiden tot ernstige verwondingen of de dood.

### ⚠ WAARSCHUWING

Wijst op een mogelijk gevaarlijke situatie die, indien ze niet wordt vermeden, kan leiden tot ernstige verwondingen of de dood.

### ⚠ LET OP

Wijst op een mogelijk gevaarlijke situatie die, indien ze niet wordt vermeden, kan leiden tot lichte of middelmatige verwondingen.

### LET OP

(Zonder veiligheidssymbool) Geeft een situatie aan die materiële schade zou kunnen veroorzaken.



Na concepção da sua serra circular angular foi dada a máxima prioridade à segurança, ao desempenho e à fiabilidade.

### UTILIZAÇÃO PREVISTA

A serra circular angular destina-se a ser utilizada para serrar madeira sólida e aglomerado de madeira, materiais semelhantes a madeira (com ou sem verniz colado) e plásticos.

O produto destina-se a ser utilizado por operadores adultos que tenham lido o Manual de Instruções e que compreendam os riscos e os perigos.

O produto foi concebido para ser fixado pela base ao tampo de uma bancada sólida. Se a base não estiver firmemente fixa, qualquer máquina se pode mover durante as operações de corte, o que aumenta a possibilidade de sofrer lesões pessoais graves.

O produto foi concebido para fazer cortes biselados e cortes angulares. As capacidades para os diversos cortes são dadas nas características técnicas do produto, neste Manual.

O produto destina-se a ser utilizado em condições secas, com iluminação ambiente excelente e com ventilação adequada.

O produto foi desenhado para uso doméstico e apenas deve ser utilizado tal como se descreve anteriormente e não para outros fins.

### AVISOS GERAIS DE SEGURANÇA DE FERRAMENTAS ELÉCTRICAS

#### AVISO

**Leia com atenção todas as advertências, instruções e especificações fornecidas com a ferramenta, e consulte as ilustrações.** O incumprimento das instruções seguintes pode ocasionar acidentes como incêndios, choques eléctricos e/ou ferimentos graves.

**Guarde todos os avisos e instruções para futuras consultas.** O termo "ferramenta eléctrica" nos avisos refere-se à sua ferramenta eléctrica alimentada directamente pela rede eléctrica (com cabo eléctrico) ou à sua ferramenta eléctrica alimentada a baterias recarregáveis (sem cabo eléctrico).

### SEGURANÇA NA ÁREA DE TRABALHO

- **Mantenha a área de trabalho limpa e bem iluminada.** As áreas desordenadas ou escuras são um convite para acidentes.
- **Não opere ferramentas eléctricas em atmosferas explosivas, como na presença de líquidos, gases ou poeiras inflamáveis.** As ferramentas eléctricas produzem faíscas que podem inflamar o pó ou fumos.
- **Ao operar esta ferramenta eléctrica, mantenha as crianças e as pessoas presentes afastadas.** As distrações podem levá-lo a perder o controlo.

### SEGURANÇA ELÉCTRICA

- **As fichas eléctricas da ferramenta têm de corresponder à tomada. Nunca altere a ficha seja de que maneira for. Não use quaisquer fichas adaptadoras com ferramentas de ligação com terra.** As fichas não modificadas e tomadas compatíveis reduzirão o risco de choque eléctrico.
- **Evite o contacto do corpo com superfícies com ligação terra ou enterradas, tais como tubos, radiadores, fogões e frigoríficos.** Há um aumento do risco de choque eléctrico se o seu corpo estiver ligado à terra.
- **Não exponha as ferramentas eléctricas à chuva ou a condições de humidade.** Se entra água numa ferramenta eléctrica aumentará o risco de descargas eléctricas.
- **Não puxe pelo cabo. Nunca use o cabo para carregar, puxar ou retirar a ficha da ferramenta da tomada. Mantenha o cabo afastado de fontes de calor, óleo, extremidades afiadas ou peças móveis.** Os cabos danificados ou emaranhados aumentam o risco de choque eléctrico.
- **Ao operar uma ferramenta eléctrica ao ar livre, use um cabo de extensão apropriado para o uso ao ar livre.** A utilização de um cabo apropriado para o uso ao ar livre reduz o risco de choque eléctrico.
- **Se operar uma ferramenta eléctrica num local húmido é inevitável, use uma fonte com protecção de dispositivo de corrente residual (RCD).** O uso de um RCD reduz o risco de choque eléctrico.

### SEGURANÇA PESSOAL

- **Mantenha-se alerta, preste atenção àquilo que está a fazer e utilize o senso comum ao operar uma ferramenta. Não use a ferramenta quando estiver cansado ou sob a influência de drogas, álcool ou medicação.** Um momento de distração durante a operação de ferramentas eléctricas pode resultar em lesões físicas graves.
- **Usar equipamento de protecção pessoal. Use sempre protecção para os olhos.** Equipamento de protecção (por exemplo, máscara para poeiras, calçado anti-derrapante, capacete ou protecção para os ouvidos) utilizado para as condições adequadas irá reduzir o risco de ferimentos.
- **Evite o arranque involuntário. Antes de ligar o produto à alimentação eléctrica e/ou ao conjunto de baterias, e antes de pegar no produto ou de o transportar, certifique-se de que o interruptor está na posição de Desligado ("O").** Transportar ferramentas eléctricas tendo o dedo no gatilho ou montar baterias em ferramentas eléctricas tendo o interruptor na posição de Ligado é um convite a acidentes.
- **Remova qualquer chave de ajuste antes de ligar a ferramenta eléctrica.** Uma chave-inglesa ou uma chave colocada numa peça móvel da ferramenta eléctrica pode causar lesões pessoais.
- **Não se aproxime em demasia. Mantenha sempre o equilíbrio e a posição dos pés adequada.** Isto



possibilita um melhor controlo da ferramenta eléctrica em situações inesperadas.

- **Vista-se adequadamente. Não use roupas largas ou jóias. Mantenha o seu cabelo e a sua roupa afastados de peças em movimento.** A roupa solta, jóias ou o cabelo comprido podem ficar presos nas peças móveis.
- **Se forem fornecidos dispositivos para fazer a ligação a sistemas de extracção e recolha de poeiras, certifique-se de que estão montados e que são correctamente utilizados.** A utilização de um sistema de recolha de poeiras pode reduzir os riscos relacionados com poeiras.
- **Estar familiarizado com as ferramentas por as utilizar com frequência não é razão para se tornar descuidado e para ignorar os princípios de segurança referentes a ferramentas.** Uma acção descuidada pode causar ferimentos graves numa fracção de segundo.

#### UTILIZAÇÃO E MANUTENÇÃO DA FERRAMENTA ELÉCTRICA

- **Não force a ferramenta. Use o produto adequado para a sua aplicação.** O produto adequado funcionará melhor e de forma mais segura no âmbito para o qual foi desenhado.
- **Não use uma ferramenta caso o interruptor não ligue e desligue a ferramenta eléctrica correctamente.** Qualquer ferramenta eléctrica que não possa ser controlada com o interruptor é perigosa e deve ser reparada.
- **Antes de fazer quaisquer ajustes, substituir acessórios, ou guardar ferramentas eléctricas, desencaixe a ficha da tomada da rede eléctrica e/ou desmonte o conjunto de baterias (se for desmontável) da ferramenta eléctrica.** Estas medidas de segurança preventivas reduzem o risco de activar o produto acidentalmente.
- **Armazene as ferramentas eléctricas fora do alcance das crianças e não permita que pessoas não familiarizadas com a ferramenta eléctrica ou com estas instruções utilizem a ferramenta eléctrica.** As ferramentas eléctricas são perigosas nas mãos de utilizadores inexperientes.
- **Faça manutenção às ferramentas eléctricas e aos respectivos acessórios. Verifique se as peças móveis estão bem alinhadas ou presas, se há peças partidas e quaisquer outras situações que possam afectar o funcionamento da ferramenta. Se estiver danificada, leve a ferramenta ao serviço técnico autorizado antes de a usar.** Muitos acidentes são causados por ferramentas que não receberam manutenção adequada.
- **Mantenha as ferramentas de corte afiadas e limpas.** Ferramentas de corte que tenham recebido manutenção correcta para manter as arestas de corte afiadas têm menor probabilidade de encravar e são mais fáceis de controlar.
- **Utilize o produto, os acessórios e as peças de encaixe na ferramenta, etc. de acordo com estas instruções, levando em consideração as condições**

**de trabalho e as tarefas a serem executadas.** O uso da ferramenta eléctrica para as operações diferentes daquelas a que se destina podem causar uma situação perigosa.

- **Mantenha as pegas e as superfícies de prensão secas, limpas, e livres de óleo e de gordura.** Pegas e superfícies de prensão escorregadias não permitem manusear a ferramenta em segurança, nem permitem manter o controlo da ferramenta em situações inesperadas.

#### UTILIZAÇÃO E MANUTENÇÃO DA BATERIA DA FERRAMENTA

- **Recarregue apenas com o carregador especificado pelo fabricante.** Um carregador que seja adequado para um tipo de bateria pode causar risco de incêndio, quando utilizado com outra bateria.
- **Utilize as ferramentas eléctricas apenas com os conjuntos de baterias especificamente designados.** A utilização de quaisquer outros conjuntos de baterias pode causar risco de ferimentos ou de incêndio.
- **Quando a bateria não estiver a ser utilizada, mantenha-a afastada de outros objetos metálicos como cliques de papel, moedas, chaves, pregos, parafusos, ou outros pequenos objetos metálicos que podem fazer a ligação de um terminal para outro.** Fazer um curto-circuito entre os terminais da bateria pode causar queimaduras ou causar um incêndio.
- **Sob condições de utilização incorrecta, existe o risco de derrame de líquido de baterias – evite o contacto. Em caso de contacto acidental, lave com água. Se o líquido entrar em contacto com os olhos, procure também ajuda médica imediatamente.** O líquido derramado da bateria pode causar irritação da pele ou queimaduras.
- **Não use um conjunto de baterias ou uma ferramenta que tenha sofrido danos ou modificações.** Baterias danificadas ou modificadas podem ter um comportamento imprevisível, resultando em incêndio, explosão ou risco de ferimentos.
- **Não exponha um conjunto de baterias ou uma ferramenta ao fogo ou a temperaturas excessivas.** A exposição ao fogo ou a temperaturas acima de 130 °C pode causar uma explosão.
- **Siga todas as instruções de carregamento e não dê carga ao conjunto de baterias ou à ferramenta fora da amplitude de temperaturas especificada nas instruções.** O carregamento feito de forma incorrecta ou sob temperaturas fora da amplitude especificada pode danificar a bateria e aumentar o risco de incêndio.

#### ASSISTÊNCIA

- **A manutenção da sua ferramenta eléctrica deve ser efectuada por uma pessoa qualificada para reparações, utilizando apenas peças de substituição idênticas.** Isto assegurará que a segurança da ferramenta eléctrica é mantida.
- **Nunca tente reparar nem fazer manutenção a conjuntos de baterias danificados.** A reparação e manutenção de conjuntos de baterias só deve ser

feita pelo fabricante ou por um centro de assistência autorizado.

## INSTRUÇÕES DE SEGURANÇA PARA SERRAS CIRCULARES ANGULARES

- **As serras circulares angulares são concebidas para cortar madeira e produtos semelhantes a madeira: não podem ser utilizadas com rodas de corte abrasivas para cortar materiais ferrosos (por exemplo, barras, varetas, pernos, etc.). O pó abrasivo faz com que as peças móveis encravem (por exemplo, a guarda inferior). Faíscas causadas por corte abrasivo irão queimar a guarda inferior, o embutido do canal e outras peças de plástico.**
- **Sempre que possa, utilize pinças para fixar a peça de trabalho. Se apoiar a peça de trabalho à mão, tem obrigatoriamente de manter sempre a sua mão afastada no mínimo 10 cm de ambos os lados da lâmina da serra. Não utilize esta serra para cortar peças que sejam demasiado pequenas para serem fixadas em segurança com um grampo ou para serem agarradas com a mão.** Posicionar a sua mão demasiado perto da lâmina da serra aumenta o risco de ferimentos causados por contacto com a lâmina.
- **A peça de trabalho tem obrigatoriamente de estar parada e de estar fixada com um grampo, ou de ser agarrada por forma a ficar encostada simultaneamente à protecção e à mesa. Não empurre a peça de trabalho para a alimentar à lâmina, nem faça cortes "à mão livre", seja de que maneira for!** Peças de trabalho que não estejam fixadas ou que estejam em movimento podem ser projectadas a alta velocidade, causando ferimentos.
- **Empurre a serra para a fazer atravessar a peça de trabalho. Não puxe a serra para a fazer atravessar a peça de trabalho. Para fazer um corte, levante a cabeça da serra e puxe-a para fora, por cima da peça de trabalho – sem cortar – ponha o motor a trabalhar, empurre a cabeça da serra para baixo e empurre a serra para a fazer atravessar a peça de trabalho.** Se for feito um corte durante o movimento de puxar, é provável que isso faça com que a lâmina suba para cima da peça de trabalho e que o conjunto da lâmina seja lançado com violência na direcção do utilizador.
- **Nunca atravesse a linha de corte com a sua mão: nem à frente da lâmina da serra, nem atrás da lâmina da serra.** Apoiar a peça de trabalho "com as mãos cruzadas" (ou seja, segurar a peça de trabalho à direita da lâmina da serra com a sua mão esquerda, ou vice-versa) é extremamente perigoso.
- **Enquanto a lâmina estiver a rodar, não estenda nenhuma das mãos para além da protecção (por exemplo, para tirar desperdícios de madeira, ou por qualquer outra razão) a menos de 10 cm da lâmina da serra: mantenha sempre as suas mãos afastadas no mínimo 10 cm de ambos os lados da lâmina da serra.** A lâmina da serra em rotação pode estar mais perto da sua mão do que parece, e poderá causar-lhe ferimentos graves.
- **Antes de cortar, faça uma inspecção visual à sua**

**peça de trabalho. Se a peça de trabalho estiver encurvada ou distorcida, fixe-a com um grampo por forma a que a face encurvada externa fique virada para a protecção. Certifique-se sempre de que não há nenhum espaço vazio ao longo da linha de corte, entre a peça de trabalho, a protecção e a mesa.** Peças de trabalho encurvadas ou deformadas podem torcer-se ou mudar de posição, com o risco de causar o encravamento da lâmina da serra em rotação durante o corte. A peça de trabalho não pode ter nenhuns pregos, nem outros objectos estranhos.

- **Não utilize a serra enquanto a mesa não estiver completamente livre e desimpedida de todas as ferramentas, desperdícios de madeira, etc., excepto a peça de trabalho.** Pequenos desperdícios ou pedaços soltos de madeira ou outros objectos que entrem em contacto com a lâmina em rotação podem ser projectados a alta velocidade.
- **Corte apenas uma peça de trabalho de cada vez.** Várias peças de trabalho empilhadas não podem ser fixadas em segurança com um grampo e, por isso, causam o risco de encravar a lâmina ou de mudar de posição durante o corte.
- **Antes da utilização, certifique-se de que a serra circular angular está montada ou posicionada em cima de uma superfície de trabalho horizontal, nivelada e firme.** Uma superfície de trabalho horizontal, nivelada e firme reduz o risco de instabilidade da serra circular angular.
- **Planeie o seu trabalho. De cada vez que mudar a regulação de corte biselado e de corte angular, certifique-se de que a protecção ajustável está afinada correctamente para apoiar a peça de trabalho e que não irá interferir com a lâmina nem com o sistema de guarda.** Sem ligar a alimentação eléctrica da ferramenta com o respectivo botão na posição de Ligado ("ON") e sem nenhuma peça de trabalho na mesa, mova a lâmina da serra no curso total de um corte completo simulado, para se assegurar de que não há interferências nem há perigo de cortar a protecção.
- **Se a peça de trabalho for mais larga ou mais comprida do que o tempo da mesa, forneça apoio adequado (por exemplo, com extensões da mesa, cavaletes, etc.).** Peças de trabalho que sejam mais largas ou mais compridas do que a mesa da serra circular angular podem tombar se não estiverem apoiadas em segurança. Se a peça cortada ou a peça de trabalho tombar, poderá atingir a guarda inferior ou ser projectada pela lâmina em rotação.
- **Não use outra pessoa como substituto para uma extensão da mesa ou como apoio adicional.** Se a peça de trabalho tiver um apoio instável, isso pode fazer com que a lâmina encrave ou que a peça de trabalho mude de posição durante a operação de corte, puxando o utilizador e o ajudante para cima da lâmina em rotação.
- **A peça cortada não pode nunca ser forçada nem empurrada, seja de que maneira for, de encontro à lâmina da serra em rotação.** Se for confinada (ou seja, se forem utilizados batentes de comprimento), a

EN  
FR  
DE  
ES  
IT  
NL  
PT  
DA  
SV  
FI  
NO  
RU  
PL  
CS  
HU  
RO  
LV  
LT  
ET  
HR  
SL  
SK  
BG  
UK  
TR  
EL



peça cortada pode ficar comprimida em cunha contra a lâmina, sendo projectada com violência.

- **Use sempre um grampo ou um dispositivo fixador concebido para apoiar correctamente material redondo (por exemplo, varetas ou tubos).** As varetas têm a tendência para rolar durante o corte, fazendo com que a lâmina "morda" e a peça de trabalho seja puxada – juntamente com a sua mão – para cima da lâmina.
- **Deixe a lâmina atingir a velocidade total antes de entrar em contacto com a peça de trabalho.** Isto irá reduzir o risco da peça de trabalho ser projectada.
- **Se a peça de trabalho ou a lâmina ficarem encravadas, desligue a serra circular angular. Espere até que todas as peças em movimento tenham parado e, em seguida, desencaixe a ficha da tomada da rede eléctrica e/ou desmonte o conjunto de baterias. Em seguida, faça por libertar o material encravado.** Se o corte continuar com uma peça de trabalho encravada, isso irá causar perda de controlo pelo utilizador ou causar danos à serra circular angular.
- **Depois de terminar o corte, liberte o interruptor, agarre a cabeça da serra para a manter na posição descida e espere até a lâmina parar, e só então retire a peça cortada.** É perigoso estender a mão na direcção da lâmina ainda a rodar, mesmo que já esteja desligada.

## INSTRUÇÕES DE SEGURANÇA PARA A LÂMINA DE CORTE DE MADEIRA

- Antes de utilizar a serra da lâmina e o produto, leia atentamente o Manual e as instruções de utilização.
- A ferramenta eléctrica tem obrigatoriamente de estar em boas condições: o eixo rotativo não pode ter deformações nem vibrações.
- Não utilize o produto sem as guardas estarem montadas em posição. Conserve as guardas em bom estado de funcionamento e manutenção.
- Certifique-se de que o utilizador recebeu a formação correcta referente às precauções de segurança, à afinação e à utilização do produto.
- Durante a utilização do produto, use sempre óculos de protecção e protecção para os ouvidos. Recomenda-se a utilização de luvas de protecção, calçado pesado anti-deslizante e avental.
- Antes de utilizar qualquer acessório, consulte o manual de instruções. A utilização incorrecta de um acessório pode causar danos e aumentar o potencial de risco de ferimentos.
- Use lâminas apenas especificadas neste manual, em conformidade com EN 847-1.
- Observe a velocidade máxima marcada na lâmina da serra. Assegure que a velocidade indicada no disco da serra é pelo menos igual à velocidade indicada na serra.
- Utilize sempre lâminas de tamanho e de forma adaptadas ao furo do eixo. Lâminas não adaptadas ao eixo onde elas devem ser montadas não trabalharão correctamente e provocarão uma perda de controlo da

ferramenta.

- Não utilize lâminas de diâmetro maior ou mais pequeno que o recomendado. Não utilize qualquer espaçador para encaixar a lâmina no eixo.
- Antes de cada utilização, inspecione a lâmina da serra, procurando danos ou defeitos visíveis. Pontas danificadas ou frouxas podem soltar-se da lâmina e ser projectadas pelo ar durante a utilização, aumentando o risco de ferimentos.
- Não utilizar lâminas de corte fissuradas ou deformadas. Não use folhas de serra danificadas ou deformadas.
- Deite fora a lâmina da serra se estiver danificada, deformada, distorcida ou rachada. Não são permitidas reparações à lâmina da serra.
- Não utilize lâminas HSS.
- Antes da utilização, certifique-se de que a lâmina da serra está montada correctamente e dê aperto em segurança à porca da haste (a força de aperto é de aprox. 12 a 15 Nm).
- Serão utilizadas as chaves de porcas correctas, etc. para dar aperto aos parafusos e às porcas de fixação.
- Não é permitido utilizar a chave de porcas com extensor, nem dar aperto à martelada.
- Certifique-se que a lâmina e as flanges estão limpas e os lados encaixados do aro estão contra a lâmina.
- Certifique-se que a lâmina gira na direcção correcta.
- Antes de proceder ao trabalho, faça um corte de teste sem o motor ligado de modo a verificar a posição da lâmina, a operação das protecções relativamente a outras peças da máquina e a peça a trabalhar.
- Nunca deixe o produto desacompanhado.
- Não aplique lubrificantes na lâmina quando estiver em funcionamento.
- Nunca realize qualquer trabalho de limpeza ou manutenção quando a máquina ainda se encontra em funcionamento e a cabeça não estiver na posição de descanso.
- Nunca tente parar uma máquina em movimento repentinamente encravando uma ferramenta ou outros meios contra a lâmina pois deste modo poderá causar acidentes graves sem intenção.
- Antes de substituir as lâminas de corte ou de fazer manutenção, desencaixe a ficha do produto da tomada da rede eléctrica ou desmonte o conjunto de baterias.
- Tenha cuidado com a embalagem da lâmina e ao desembalar a mesma, é fácil lesionar-se com as pontas afiadas da lâmina.
- Use um porta-lâminas ou use luvas protetoras ao manipular uma lâmina de serra.
- Guarde e armazene a lâmina na embalagem original ou outra embalagem apropriada, mantenha-a em condições secas e afastada de produtos químicos que possam danificar a lâmina.

## AVISOS DE SEGURANÇA ADICIONAIS

- Fixe sempre a peça de trabalho com segurança e firmeza.
- Assegure-se que a máquina sempre esteja numa



posição segura (por exemplo fixação na bancada de trabalho).

- Sempre use a protecção dos ouvidos. A influência de ruídos pode causar surdez.
- Quando utilizar o produto, use sempre óculos de protecção. Recomenda-se utilizar luvas para manusear as lâminas e o material em bruto, além de sapatos anti-deslizantes resistentes para proteger os pés das peças de trabalho que possam cair da zona de corte.
- Antes de fazer qualquer limpeza ou manutenção ao produto, desenchaxe a ficha do produto da tomada da rede eléctrica ou desmonte o conjunto de baterias.
- Só monte o conjunto de baterias quando o produto estiver desligado.
- Não aproxime a mão da lâmina a menos que a lâmina tenha parado completamente.
- Antes da utilização, faça uma inspecção visual rigorosa ao produto e ao conjunto de baterias, procurando danos ou fadiga dos materiais. Quaisquer reparações ao produto como um todo devem ser feitas apenas por um centro de assistência autorizado.
- Use sempre as guardas no produto. Não utilize o produto se as guardas não estiverem montadas em posição ou se não estiverem a funcionar correctamente.
- A guarda inferior da lâmina deve abrir apenas quando a lâmina for descida na direcção da peça de trabalho e tem obrigatoriamente de poder sempre mover-se livremente e fechar-se automaticamente.
- Monte sempre e utilize barras de extensão para apoiar a peça de trabalho durante a utilização.
- Nunca altere nem modifique o produto nem o respectivo funcionamento. A sua segurança pode ver-se ameaçada.
- Não utilize lâminas de serra que estejam gretadas, danificadas ou deformadas.
- Não utilize folhas de serra fabricadas de aço rápido.
- Utilize apenas lâminas afiadas. Mude as lâminas embotadas.
- Utilize sempre lâminas de tamanho e de forma adaptadas ao furo do eixo. Lâminas não adaptadas ao eixo onde elas devem ser montadas não trabalharão correctamente e provocarão uma perda de controlo da ferramenta.
- Use apenas as lâminas para trabalhos em madeira especificadas neste Manual, em conformidade com a norma EN 847-1.
- Não utilize manilhas, anilhas e porcas para fixar a lâmina de serra que não sejam as fornecidas ou indicadas no manual de instruções.
- Seleccione uma folha de serra apropriada para o material a cortar. Nunca utilize o produto para cortar outros materiais para além dos especificados na secção Utilização Prevista, neste Manual.
- Durante o corte, é importante evitar que a lâmina sobreaqueça e que os plásticos derretam.
- É essencial respeitar a velocidade máxima especificada na lâmina da serra: use apenas lâminas de serra cuja marcação indique uma velocidade igual ou superior à

velocidade especificada pela marcação na ferramenta.

- Mude a inserção da lâmina quando estiver desgastada ou danificada.
- Antes de proceder ao trabalho, faça um corte de teste sem o motor ligado de modo a verificar a posição da lâmina, a operação das protecções relativamente a outras peças da máquina e a peça a trabalhar.
- Quando fizer cortes angulares, cortes biselados e cortes angulares combinados, afine a protecção deslizante ou a sub-protecção para garantir o afastamento correcto da lâmina.
- Durante o transporte do produto, o bloqueio da pega tem obrigatoriamente de estar sempre activado.
- Mantenha a área do chão sem material solto, por exemplo, lascas e recortes.
- Não remova os resíduos de serração e outras partes de materiais da área de serração quando a máquina estiver a operar e a cabeça de serra não estiver na posição de repouso.
- Materiais compridos deverão ser suportados apropriadamente. A área de trabalho da serra inclui toda a extensão da peça de trabalho. O operador deve evitar o contacto accidental desta zona com outras pessoas ou objetos que possam mover a peça de trabalho durante a operação.
- A poeira gerada pela utilização do produto pode ser prejudicial para a saúde. Use um sistema de extração de pó e uma máscara protetora adequada. Retire minuciosamente o pó depositado, por exemplo, com um aspirador.
- Não substitua o laser por outro de tipo diferente. Quaisquer reparações apenas podem ser executadas pelo fabricante ou por um agente de assistência técnica autorizado.
- A amplitude de temperatura ambiente para a ferramenta durante o funcionamento é entre 0 °C e 40 °C.
- A amplitude de temperatura ambiente para a ferramenta em armazenamento é entre 0 °C e 40 °C.
- A amplitude de temperatura ambiente recomendada para o sistema de carregamento durante o carregamento é entre 10 °C e 38 °C.

## TRANSPORTE DE BATERIAS DE LÍCIO

Transporte a bateria em conformidade com as disposições e os regulamentos locais e nacionais.

Respeite os requisitos especiais que existam na embalagem e a etiquetagem durante o transporte de baterias por terceiros. Assegure-se que não há risco de uma bateria entrar em contacto com outra bateria nem com materiais condutores durante o transporte, protegendo os conectores expostos com tampas ou fita isoladoras e não condutoras. Não transporte baterias com fissuras ou fugas. Contacte a empresa transitária para mais aconselhamento.

## AVISOS DE SEGURANÇA ADICIONAIS DAS BATERIAS

### ⚠ AVISO

Para evitar o risco de incêndio, de feridas ou de danificação do produto causado por um curto-circuito, não imerja a bateria intercambiável ou o carregador em líquidos e assegure-se de que líquidos não penetrem nos aparelhos ou nas baterias. Líquidos corrosivos ou condutivos como água salgada, determinadas substâncias químicas ou produtos que contenham branqueadores podem causar um curto-circuito.

- A amplitude de temperatura ambiente para a bateria durante a utilização é entre 0 °C e 40 °C.
- A amplitude de temperatura ambiente para a bateria em armazenamento é entre 0 °C e 20 °C.

## SEGURANÇA LASER

- A radiação do guia laser utilizada nesta serra é de Classe 2 com comprimentos de onda máximos de  $\leq 1\text{mW}$  e 650nm. Não olhe directamente para o feixe laser. O não cumprimento destas regras pode resultar em graves lesões físicas.
- Não olhe para o feixe durante o funcionamento.
- Não projecta o feixe laser directamente para os olhos de outras pessoas. Poderão ocorrer graves lesões nos olhos.
- Não coloque o laser numa posição que possa fazer com que alguém olhe fixamente no feixe laser intencionalmente ou sem intenção.
- Não utilize ferramentas ópticas para ver o feixe laser.
- Não opere o laser perto de crianças ou não deixe crianças operar o laser.
- Não tente reparar o dispositivo laser por si próprio.
- Não tente substituir sozinho(a) qualquer peça do aparelho laser.
- Qualquer reparação deve ser executada pelo fabricante de laser ou um agente de assistência autorizado.
- Não substitua o laser por outro de tipo diferente.

## RISCOS RESIDUAIS

Mesmo quando se utiliza o produto segundo as instruções, continua a ser impossível eliminar por completo certos fatores de risco residuais. Podem surgir os seguintes riscos durante o uso e o operador deve prestar especial atenção para evitar o seguinte:

- Risco de contacto com peças não cobertas da lâmina circular rotativa.
- Ricochete de peças de trabalho e partes das mesmas devido ao manuseamento inadequado.
- Catapultamento de pontas de carboneto defeituosas da lâmina da serra.
- Danos no sistema respiratório.

**NOTA:** Use máscaras protetoras com filtros adequados para os materiais com que vai trabalhar. Assegure uma ventilação adequada do local de trabalho. Não coma,

beba ou fume na área de trabalho.

- Danos para a audição caso não se utilize protecção auditiva eficaz.

### ⚠ AVISO

O pó de certas pinturas, revestimentos e materiais pode causar irritação ou reações alérgicas no sistema respiratório. O pó de madeira como o carvalho, a faia, o MDF e outros é cancerígeno. O material que contém amianto apenas deve ser trabalhado ou processado por operadores especialistas qualificados.

### ⚠ AVISO

As lesões podem ser causadas ou agravadas pelo uso prolongado de uma ferramenta. Ao usar qualquer ferramenta durante períodos prolongados, assegure-se que faz intervalos regulares.

## CONHEÇA O SEU PRODUTO

Consulte a página 215.

1. Pega, superfícies de prensão isoladas
2. Interruptor de ligação
3. Cabo com bloqueio de segurança
4. Protector da lâmina superior
5. Lâmina da serra
6. Protector da lâmina inferior
7. Fence principal
8. Mesa giratória
9. Base
10. Inserção da mesa
11. Asa de bloqueio da mesa giratória
12. Equilíbrio
13. Barra anti-tombo
14. Interruptor de laser
15. Pega superior, superfícies de prensão isoladas
16. Falange
17. Travão da braçadeira
18. Alavanca de bloqueio do ângulo de bisel
19. Braçadeira
20. Eixo deslizante
21. Orifício de montagem
22. Barra de extensão
23. Parafusos para bloqueio da barreira principal
24. Botão de bloqueio do eixo
25. Bateria
26. Saco para o pó
27. Botão de ajuste da profundidade de corte
28. Tope de profundidade máxima de corte
29. Botão de tope da vareta lineal
30. Parafusos de ajuste do limitador do ângulo de bisel
31. Chave hexagonal

## OPERAÇÃO

O produto conta com uma lâmina de serra em movimento que o operador pode ajustar vários ângulos o cortar uma peça de trabalho que se fixa firmemente na base do produto. Deve ser utilizada por uma única pessoa para





evitar o contacto acidental com a lâmina da serra em movimento.

Os princípios para um uso seguro do produto são as seguintes:

- Mantenha a serra, as lâminas e a área de trabalho em boas condições.
- Fixe a serra circular a uma base de bancada compacta. O produto pode mover-se e cair se não estiver corretamente sujeito.
- Ajuste e bloqueie os ângulos de corte e a profundidade antes de fazer o corte.
- Asegure a peça de trabalho à base da esquadria. Utilize a braçadeira proporcionada e, em caso necessário, utilize braçadeiras adicionais ou mecanismos de fixação para evitar o movimento involuntário da peça de trabalho durante o corte.
  - Verifique se o funcionamento das proteções da lâmina não está limitado pela posição da peça de trabalho.
  - Assegure-se que o fence e outras partes do produto não se cortam enquanto a lâmina desce até à posição de corte.
- Ligue o motor e deixe que a lâmina alcance a velocidade máxima antes de descer lentamente para cortar a peça de trabalho. Para completar o corte, faça deslizar para trás o conjunto da lâmina conforme necessário.
- Deixe que o conjunto da lâmina chegue à sua posição superior, onde as proteções da lâmina estão completamente fechadas. Desligue o motor e deixe que a lâmina pare completamente antes de retirar a peça de trabalho ou os recortes, ou antes de chegar à zona da lâmina.

Antes do primeiro uso, assegure-se de que o ângulo do bisel ou esquadria colocado no produto coincida com o ângulo que deseja produzir na peça de trabalho. Verifique-o sobre um pedaço de madeira sem uso utilizando um conjunto de carpinteiro ou uma esquadria.

#### ⚠ AVISO

O fabricante recomenda veementemente que este aparelho seja sempre montado de forma segura sobre uma bancada.

Quando a base do produto está fixa ao topo de uma bancada com firmeza e em segurança, por 4 porcas, parafusos e anilhas conforme as instruções, o produto pode ser utilizado com a regulação máxima de corte biselado e de corte angular sem o risco de tombar. Se o produto não estiver bem fixo, pode balancear-se quando se selecionam grandes ângulos de bisel.

Na parte dianteira da base da esquadria há uma barra extensível que se deve puxar até à sua máxima extensão. Isto ajudará a evitar que a esquadria se desequilibre.

Também há um parafuso ajustável (equilíbrio de pé) que se estende desde a parte inferior da mesa giratória adicional. Este parafuso deve ser ajustado de modo que toque a superfície plana sobre a qual se apoia o produto. Isto também evitará que o produto se desequilibre ao cortar à máxima extensão de deslizamento e bisel. Cuidado, esta

parte da serra de mesa move-se quando se selecionam diferentes ângulos de esquadria, pelo que o parafuso deve ser ajustado e reposicionado com frequência.

#### MANUTENÇÃO

- Não modifique o produto de nenhum modo nem utilize acessórios não aprovados pelo fabricante. A sua segurança e a dos demais pode ver-se ameaçada.
- Não utilize o produto se algum dos interruptores, proteções ou outras funções não funcionam conforme o previsto. Dirija-se a um centro de serviço autorizado para ajustes ou reparações profissionais.
- Não faça nenhum ajuste enquanto a lâmina da serra está em movimento.
- Antes de fazer afinações ou lubrificação, ou quando fizer qualquer manutenção ao produto, certifique-se sempre de que o conjunto das baterias foi desmontado do produto.
- Antes e depois de cada uso, verifique se há danos ou partes partidas no produto. Mantenha o produto nas melhores condições de trabalho substituindo de imediato as peças por peças sobresselentes aprovadas pelo fabricante.
- A lâmina tem arestas afiadas e pode ficar quente depois de operações de corte. Tenha o máximo cuidado quando limpar uma lâmina exposta. Use luvas para se proteger contra ferimentos.
- Limpe com regularidade as poeiras da serra e dos respectivos acessórios, especialmente nas peças móveis, incluindo a guarda da lâmina. Para limpar as poeiras com eficácia, use uma escova de mão ou um aspirador. Não use ar comprimido.
- Para garantir a segurança e fiabilidade, todas as reparações, incluindo a substituição de escovas, devem ser realizadas por um centro de serviço autorizado.

#### ⚠ AVISO

Não tente desarmar o conjunto da guarda da lâmina: nem para limpeza, nem para reparações. Guardas danificadas não devem ser usadas. Devolva-as a um centro de assistência autorizado, para reparação ou substituição.

#### ⚠ AVISO

Para uma maior segurança e fiabilidade, todas as reparações devem ser realizadas por um centro de assistência autorizado.

#### Calibração de corte biselado e de corte angular

Se a calibração de corte biselado e de corte angular for necessária, consulte as páginas 236 a 242 e siga as instruções de calibração.

#### Tope de profundidade máxima de corte

O tope máximo de profundidade de corte serve para evitar que a lâmina da serra corte a base metálica da unidade.



## AVISO

O utilizador não pode ajustar o tope máximo de profundidade de corte. Não ajuste o tope máximo de profundidade de corte.

## TRANSPORTE E ARMAZENAMENTO

- Quando guardar o produto, desmonte o conjunto de baterias. Guarde o produto num local seguro que não seja acessível às crianças.
- Limpe o produto com uma escova e um aspirador antes do seu armazenamento.
- Se retirar a lâmina de serra ou guardar peças sobresselentes com a unidade, assegure-se que estão na embalagem original para evitar lesões.

### Para assegurar o produto antes de realizar movimentos:

- O produto deve ser guardado com o ângulo de bisel e esquadria a zero graus e bloqueado nessa posição. O deslizamento deve estar bloqueado. A asa deve ser bloqueada na posição mais baixa (segura) com as proteções fechadas.
- Para facilidade de transporte, um dos lados ou ambos os lados das barras de extensão podem ser desmontados.

### Para transportar à mão ou num veículo:

- Asegure o produto antes de realizar movimentos tal como se descreve no manual.
- Retire o aparelho da bancada, libertando os quatro parafusos, um em cada canto. Guarde os parafusos para utilizá-los no futuro. Levante o produto utilizando a asa na parte superior.
- Ao levantar o produto a certa altura, são necessárias duas pessoas com luvas resistentes para levantar a base do produto.
- Para transportá-lo num veículo, coloque o produto sobre a sua base e imobilize-o.

## PROTECÇÃO DO AMBIENTE



Recicle os materiais em vez de pô-los directamente no lixo doméstico. Para proteger o ambiente, a ferramenta, os acessórios e as embalagens devem ser seleccionados.

## SÍMBOLOS NO PRODUTO



Alerta de segurança



Conformidade CE



Marca de conformidade EurAsian



Marca de conformidade ucraniana



Agradecemos que leia atentamente as instruções antes de iniciar a máquina.



Use protecção para os ouvidos



Use sempre protecção para os olhos.



Mantenha as mãos afastadas da área de corte e da lâmina.



Não expor à chuva nem utilizar em locais húmidos.



Use luvas de segurança



Sentido de rotação da lâmina (mostrado na lâmina da serra)



Sentido de rotação da lâmina (mostra-se na protecção da lâmina)



Largura de corte da lâmina (Canal)



Número de dentes nesta lâmina de serra



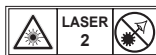
Capacidade de corte



Para corte de madeira e de materiais semelhantes



Não para corte de metais



Radiação do laser.  
Não olhe directamente para o feixe.  
Produto laser de Classe 2



Os aparelhos eléctricos antigos não devem ser eliminados juntamente com o lixo doméstico. Recicle onde existem instalações para o efeito. Verifique com as suas Autoridades Locais ou revendedor para obter informações sobre reciclagem.

**SÍMBOLOS NESTE MANUAL**



Bloqueio



Abrir



O mecanismo de bloqueio não funciona



As peças ou acessórios vendem-se separadamente



Nota



Aviso

As seguintes palavras de sinal e significados destinam-se a explicar os níveis de risco associados a este produto.

**⚠ PERIGO**

Indica uma situação de perigo iminente, a qual, se não for evitada, pode resultar em morte ou ferimentos graves.

**⚠ AVISO**

Indica uma situação potencialmente perigosa que, se não for evitada, pode resultar em morte ou ferimentos graves.

**⚠ CAUTELA**

Indica uma situação potencialmente perigosa que, se não for evitada, pode resultar em ferimentos leves ou moderados.

**CAUTELA**

(Sem símbolo de segurança) Indica uma situação que pode provocar danos materiais.

Ved udformningen af din geringsssav har vi givet toprioritet til sikkerhed, gode resultater og driftssikkerhed.

### TILTÆNKT ANVENDELSESFORMÅL

Hensigten med geringsssaven er savning i massivt og sammenlimet træ, materialer svarende til træ med eller uden pålimet finer eller plastik.

Produktet er kun beregnet til at blive brugt af voksne, som har læst brugsanvisningen og forstået de involverede risici og farer.

Produktet er beregnet til at blive monteret på overfladen af en solid arbejdsbænk. Hvis soklen ikke er forsvarligt fastgjort, kan hele maskinen flytte sig under skærearbejdet, hvilket øger muligheden for alvorlig personskade.

Produktet er designet til at foretage skrå- og geringsssnit. Karakteristika for de forskellige skærehandlinger er angivet i produktspecifikationerne i denne vejledning.

Produktet skal anvendes i tørre omgivelser med kraftigt omgivende belysning og tilstrækkelig ventilation.

Produktet er beregnet til privat brug og må kun bruges som beskrevet ovenfor og ikke til noget andet formål.

### ALMINDELIGE SIKKERHEDSREGLER FOR ELVÆRKTØJET

#### ⚠ ADVARSEL

**Læs alle omhyggeligt alle advarsler, anvisninger og specifikationer, som følger med maskinen, og studer illustrationerne.** Hvis nedenstående forskrifter ikke overholdes, kan der ske uheld og ulykker som brand, elektrisk stød og/eller alvorlige personskader.

**Gem alle advarsler og brugsanvisninger til senere brug.** Betegnelsen "eldrevet værktøj" i advarselne henviser til jeres ledningsforbundne elværktøj eller batteridrevne (ledningfrie) elværktøj.

### SIKKERHED I ARBEJDSOMRÅDET

- **Hold arbejdsområdet rent og godt oplyst.** Rodede eller mørke områder inviterer til ulykker.
- **Brug ikke elværktøjer i eksplosive omgivelser som fx i nærheden af brandbar væske, gas eller støv.** Elværktøjer udløser gnister, som kan antænde støvet eller dampene.
- **Der må ikke være børn og tilskuere i nærheden, når et elværktøj anvendes.** Distractioner kan medføre, at du mister kontrollen.

### ELEKTRISK SIKKERHED

- **Elværktøjets elstik skal passe til elnetkontakten.** Elstikket må aldrig modificeres på nogen som helst måde. Undlad brug af adapterstik til jodede (stelforbundne) elværktøjer. Umodificerede elstik og passende elnetkontakter reducerer faren for elektrisk stød.
- **Undgå kropskontakt med jodede eller stelforbundne overflader som fx rør, radiatorer, komfurer og køleskabe.** Der er forøget risiko for elektrisk stød, hvis din krop er forbundet med jord eller

stel.

- **Undlad at udsætte elværktøjer for regn eller fugt.** Hvis der trænger vand ind i et elværktøj, øges faren for elektrisk stød.
- **Undlad at misbruge ledningen.** Ledningen må aldrig bruges til at bære eller trække i elværktøjet eller til at trække stikket ud. Hold ledningen på afstand af varme, olie og skarpe kanter eller bevægelige dele. Beskadede eller sammenfiltrede ledninger øger faren for elektrisk stød.
- **Når et elværktøj anvendes i det fri, skal der bruges en forlængerledning, der er egnet til udendørs brug.** Brug af ledninger beregnet til udendørs brug reducerer faren for elektrisk stød.
- **Hvis man er nødt til at bruge elværktøjer i fugtige omgivelser, skal strømforsyningen have en fejlstrømsafbryder (RCD-afbryder).** Brug af fejlstrømssikring reducerer faren for elektrisk stød.

### PERSONLIG SIKKERHED

- **Vær årvågen, hold øje med, hvad du gør, og brug sund fornuft, når du benytter et værktøj. Undlad at bruge værktøjet, hvis du er træt eller påvirket af narkotika, alkohol eller medikamenter.** Et øjeblikks uopmærksomhed under brug af motoriserede værktøjer kan medføre alvorlige personskader.
  - **Bær personlige værnemidler. Brug altid øjenværn.** Personlige værnemidler som støvmaske, skridsikre sikkerhedssko, beskyttelseshjelm eller høreværn anvendt under de rette betingelser nedsætter antallet af personskader.
  - **Undgå utilsigtet start. Sørg for, at afbryderen er slukket (i off-position), før du tilslutter produktet til strømkilden og/eller batteriet eller løfter eller går rundt med produktet.** Der kan ske en ulykke, hvis du går rundt med fingeren på afbryderen eller tilslutter strøm til elværktøjet med afbryderen tændt.
  - **Fjern evt. skruenøgler, inden der tændes for elværktøjet.** En efterladt skruenøgle fastgjort til en roterende del af elværktøjet kan medføre personskader.
  - **Læn dig aldrig for langt frem. Sørg for altid at have godt fodfæste og god balance.** Dette giver bedre kontrol over elværktøjet i uventede situationer.
  - **Vær ordentligt klædt på. Bær ikke løstsiddende tøj eller smykker. Hold hår og beklædning på afstand af bevægelige dele.** Løstsiddende tøj, smykker eller langt hår kan hænge fast i bevægelige dele.
  - **Hvis der medfølger anordninger til tilslutning af støvudsugning og støvsopsamling, skal det sikres, at de tilsluttes og bruges korrekt.** Brug af støvsopsamling kan nedsætte farer forbundet med støv.
  - **Lad ikke fortroligheden, der er opstået ud fra hyppig brug af et redskab, påvirke dig til at være tilbagelænet og ignorere sikkerhedsprincipper.** En skødesløs handling kan forårsage alvorlig personskade inden for en brøkdæl af et sekund.
- ### BRUG OG PLEJE AF ELVÆRKTØJ
- **Undlad at tvinge værktøjet. Brug det korrekte produkt til anvendelsesformålet.** Det korrekte produkt



klarer opgaven bedre og sikrere i den hastighed, det er designet til.

- **Elværktøjet må ikke tages i brug, hvis TÆND/SLUK-kontakten ikke virker.** Et elværktøj, der ikke kan kontrolleres med TÆND/SLUK-kontakten, er farligt og skal repareres.
- **Fjern stikket fra strømkilden, og/eller fjern batteripakken fra elværktøjet, hvis den er aftagelig, før du foretager justeringer, udskifter tilbehør eller lægger elværktøjet væk.** Sådanne forebyggende sikkerhedsforanstaltninger reducerer risikoen for opstart af produktet ved et uheld.
- **Når elværktøjer ikke bruges, skal de opbevares utilgængeligt for børn; personer, som ikke er fortrolige med elværktøjet eller denne brugsanvisning, må ikke anvende elværktøjet.** Elværktøjer er farlige i hænderne på ukyndige brugere.
- **Vedligehold elværktøj og tilbehør. Kontrollér, om der er forkert indjusterede eller forbundne bevægelige dele, afbrækkede dele samt andre tilstande, som kan påvirke værktøjets funktionsmåde. Hvis der konstateres skader, skal værktøjet repareres inden brug.** Mange ulykker skyldes dårligt vedligeholdte værktøjer.
- **Hold skæreværktøjer skarpe og rene.** Korrekt vedligeholdte skæreværktøjer med skarpe ægge er mindre tilbøjelige til at sætte sig fast og er nemmere at styre.
- **Brug produktet, tilbehør og bits til værktøj mv. i overensstemmelse med disse anvisninger, idet der tages hensyn til arbejdsbetingelser og arbejdet, der skal udføres.** Brug af elværktøjet i strid med det tiltænkte anvendelsesformål kan medføre farlige situationer.
- **Hold håndtag og gribeblader tørre og fri for olie og fedt.** Glatte håndtag og gribeblader muliggør ikke sikker håndtering og styring af værktøjet under ikke forventede situations.

#### BRUG OG PLEJE AF BATTERIVÆRKTØJ

- **Brug kun producentens angivne oplader til genopladning.** En oplader, der kan bruges til én type batteri, kan udgøre en brandrisiko, hvis den bruges med en anden batteritype.
- **Brug kun elværktøj med de specielt beregnede batteripakker.** Brug af andre typer batterier kan medføre risiko for personskader og brand.
- **Når batteripakken ikke bruges, må det ikke opbevares sammen med metalgenstande som fx papirclips, mønter, nøgler, søm, skruer eller andre metalgenstande, som kan skabe forbindelse mellem batteriets poler.** Sammenføjning af batteriklemmer kan forårsage forbrændinger eller brand.
- **Væske kan sprøjte ud fra batteriet ved misbrug af produktet. Undgå kontakt. Skyl med vand ved utilsigtet kontakt. Søg desuden lægehjælp ved øjenkontakt.** Væske fra batteriet kan forårsage irritation eller forbrændinger.
- **Brug ikke et batteri eller værktøj, der er beskadiget eller modificeret.** Beskadigede eller modificerede

batterier kan være ustabile, hvilket kan medføre brand, eksplosion eller personskade.

- **Udsæt ikke batteri eller værktøj for åben ild eller høje temperaturer.** Udsættelse for åben ild eller for temperaturer over 130 °C kan medføre eksplosion.
- **Følg vejledningen for opladning, og oplad ikke batteriet eller værktøjet uden for det temperaturområde, der er angivet i vejledningen.** Forkert opladning eller opladning ved temperaturer uden for det angivne område kan beskadige batteriet og øge risikoen for brand.

#### SERVICE

- **Sørg for, at elværktøjet serviceres af en kvalificeret reparatør, som kun benytter sig af originale reservedele.** Herved garanteres sikkerheden for elproduktet.
- **Efterse aldrig beskadigede batteripakker.** Eftersyn af batteripakker bør kun udføres af producenten eller autoriserede serviceleverandører.

#### SIKKERHEDSANVISNINGER FOR GERINGSSAVE

- **Geringssave har til formål at skære i træ eller tilsvarende produkter. De kan ikke bruges med slibende afskæringshjul til afskæring af jernholdige materialer som stænger, stokke, søm osv. Slibestøv forårsager, at bevægelige dele som den nederste afskærmning kører fast. Gnister fra slibende skæring brænder den nederste afskærmning, snitfugeindsats og andre plastdele.**
- **Brug så vidt muligt altid spændestyr til at understøtte emnet. Hvis arbejdsemnet understøttes med hånden, skal man altid hold hånden mindst 100 mm fra begge sider af savklingen. Brug ikke denne sav til skæring af stykker, der er for små til sikker opspænding eller håndholdt. Hvis hånden placeres for tæt på savklingen, er der en forøget risiko for personskade forårsaget af kontakt med savklingen.**
- **Arbejdsemnet skal være stationært og opspændes eller holdes mod både anlægget og bordet. Sørg for ikke at indføre arbejdsemnet ind i klingens eller skære på "frihånd" på nogen måde. Ikke fastgjorte arbejdsemner eller arbejdsemner i bevægelse kan blive udkastet med høj hastighed og forårsage personskade.**
- **Skub saven igennem arbejdsemnet. Træk ikke saven igennem arbejdsemnet. Foretag et snit ved at hæve savhovedet og trække det ud over arbejdsemnet uden at skære. Start motoren, og tryk savhovedet ned, og skub saven igennem arbejdsemnet. Skæring i forbindelse med trækslaget vil sandsynligvis forårsage, at savklingen kravler op på arbejdsemnet og med stor kraft slynge klingeeenheden i retning af operatøren.**
- **Kryds aldrig hånden over den tilsigtede skærelinje hverken foran eller bag savklingen. Understøtning af arbejdsemnet med "krydsede hænder", dvs. at arbejdsemnet holdes til højre for savklingen med venstre hånd eller omvendt, er meget farligt.**
- **Ræk ikke bag anlægget med nogen af hænderne tættere end 100 mm fra hver side af savklingen for**





at fjerne trærester eller af nogen anden årsag, mens klingens kører rundt. Nærheden af den roterende savklinge i forhold til hånden er måske ikke indlysende, og du kan komme alvorligt til skade.

- **Undersøg emnet inden skæring.** Hvis arbejdsmenet er buet eller kaster sig, skal det fastgøres med den udvendige bøjede forside vendende mod anlægget. Sørg altid for at sikre, at der ikke er noget mellemrum mellem arbejdsmenne, anlæg og bord langs skærelinjen. Arbejdsmenner, der er bøjede eller kaster sig, kan vride sig eller forskydes og forårsage, at den roterende savklinge sætter sig fast under skæring. Der må ikke være søm eller fremmedlegemer i arbejdsmenet.
- **Brug ikke saven, før bordet er ryddet for alt værktøj, træaffald osv. bortset fra arbejdsmenet.** Småaffald eller løse stykker træ eller andre genstande i berøring med den roterende savklinge kan blive udkastet med høj hastighed.
- **Skær kun et arbejdsmenne ad gangen.** Flere stakkede arbejdsmenner kan ikke fastspændes eller afstives tilstrækkeligt og kan få klingens til at sætte sig fast eller forskydes under skæring.
- **Kontroller, at geringssaven er monteret eller placeret på en plan, fast arbejdsflade inden brug.** En plan og fast arbejdsflade nedsætter risikoen for, at geringssaven bliver ustabil.
- **Planlæg dit arbejde.** Hver gang du skifter vinkelindstilling for smig eller gering, skal der sørges for, at det justerbare anlæg er indstillet korrekt, så arbejdsmenet bliver understøttet og ikke kommer i konflikt med klingens eller afskærmningen. Flyt uden at tænde for værktøjet og uden arbejdsmenne på bordet savklingen gennem et simuleret komplet snit for at sikre, at der ikke opstår nogen konflikt med eller fare for skæring af anlægget.
- **Sørg for tilstrækkelig understøtning som bordforlængelser, savbukke osv. for et arbejdsmenne, der er bredere eller længere end bordfladen.** Arbejdsmenner, der er længere eller bredere end geringssavens bord, kan vippe, hvis de ikke er forsvarligt understøttede. Hvis det afskårne stykke eller spidsen på arbejdsmenet vipper, kan det løfte den nederste afskærmning eller blive udkastet af den roterende klinge.
- **Brug ikke en anden person som erstatning af en bordforlængelse eller som yderligere støtte.** Ustabil understøtning af arbejdsmenet kan forårsage, at klingens sætter sig fast, eller at arbejdsmenet forskydes under skæring, så du og din hjælper bliver trukket ind i den roterende klinge.
- **Det afskårne stykke må ikke sætte sig fast eller på anden måde blive trykket mod den roterende savklinge.** Hvis det afskårne stykke fastholdes, dvs. ved brug af længdestop, kan det blive kilet mod klingens og udkastet med stor kraft.
- **Brug altid en skruetvinge eller et opspændingsværktøj designet til korrekt understøtning af rundt materiale som stænger eller rør.** Stænger er tilbøjelige til at rulle under afskæring, og det forårsager, at klingens "bider" og trækker emnet

ind i klingens sammen med din hånd.

- **Lad klingens opnå fuld hastighed, inden den kommer i berøring med arbejdsmenet.** Dette reducerer risikoen for, at arbejdsmenet bliver kastet ud.
- **Hvis arbejdsmenet eller klingens sætter sig fast, skal du slukke for geringssaven.** Vent, indtil alle bevægende dele er standset, og fjern stikket fra strømkilden, og/eller fjern batteripakken. Arbejd så på at frigøre det fastkørte materiale. Fortsat savning med et fastkørt arbejdsmenne kan forårsage tab af styring eller beskadigelse af geringssaven.
- **Efter færdiggørelse af snittet, skal kontakten frigøres, savholdet holdes nedad, og du skal vente til klingens stopper, inden det afskårne stykke fjernes.** Det er farligt at række ud med hånden, mens klingens stadig roterer.

#### SIKKERHEDSREGLER FOR TRÆSKÆREKLINGER

- Læs vejledning og anvisninger omhyggeligt inden brug af savklinge og produktet.
- Det elektriske værktøj skal være i god stand, og spindlen må ikke være deformet og må ikke vibrere.
- Brug kun produktet, hvis afskærmninger er på plads. Hold afskærmningerne i god stand, og sørg for at vedligeholde dem.
- Kontroller, at operatøren er tilstrækkelig uddannet i sikkerhedsforanstaltninger, justering og betjening af produktet.
- Brug altid sikkerhedsbriller og høreværn ved brug af produktet. Beskyttelseshandsker, skridsikre sko, høreværn og forklæde anbefales.
- Konsulter brugsanvisningen inden brug af ekstraudstyr/tilbehør. Forkert anvendelse af tilbehør kan forårsage skader og øge risikoen for personskader.
- Brug kun klinger, som er specificeret i denne brugsanvisning, og som overholder EN 847-1.
- Overhold den maksimale hastighed, der er markeret på savklingen. Kontrollér, at den hastighed, der er anført på savklingen, som minimum svarer til den hastighed, der er anført på saven.
- Brug altid klinger med en størrelse og facon, der passer til akselboringen. Klinger, som ikke passer til akslen, de skal monteres på, vil ikke dreje ordentligt rundt og kan bevirke, at man mister kontrollen over værktøjet.
- Undlad brug af klinger med større eller mindre diameter end anbefalet. Undlad brug af mellemstykker for at få klingens til at passe til spindlen.
- Før hver anvendelse skal du kontrollere spidsen af savklingen for skader og kontrollere, om den ser normal ud. Spidser, der er beskadigede eller løse, kan under brug flyve af, hvorved risikoen for personskade øges.
- Ridsede savklinger eller sådanne, som har ændret form, må ikke bruges. Benyt ikke savblade, der er beskadiget eller deformet.
- Hvis en savklinge er beskadiget, deform, skæv eller revnet, skal den smides ud. Reparation er ikke tilladt.
- Undlad brug af HHS-klinger.
- Kontroller, at savklingen er monteret korrekt, og spænd





opspændingsdormøtrikken forsvarligt inden brug (tilspændingsmoment ca. 12-15 Nm).

- Fastgørelsesskrue og møtrikker skal tilspændet med korrekt nøgle, osv.
- Det er ikke tilladt at forlænge skruenøglen eller stramme den ved at slå på den med en hammer.
- Sørg for, at alle klinger og flanger er rene, og at manchettens forsænkede sider ligger an mod klingens.
- Kontrollér, at klingens roterer i den rigtige retning.
- Inden påbegyndelse af arbejdet skal man foretage et prøvesnit uden tændt motor, så man kontrollerer klingens position og skærmenes funktionsmåde i forhold til maskindelene og emnet.
- Lad aldrig produktet køre uden opsyn.
- Undlad at påføre smøremidler på klingens, mens denne kører.
- Der må aldrig udføres rengøring eller vedligeholdelsesarbejde, mens maskinen kører og skærehovedet ikke er i hvileposition.
- Forsøg aldrig at stoppe en maskine i bevægelse på en hurtig måde ved at presse et værktøj eller andre genstande ind mod klingens; dette kan resultere i alvorlige ulykker.
- Strømmen til produktet skal afbrydes, eller batteriet skal fjernes, før der udskiftes klinger, eller før der udføres vedligeholdelse.
- Vær forsigtig ved ind- og udpakning af klingens - man kan nemt komme til skade på de skarpe klingetænder.
- Brug en klingeholder, eller bær handsker, under håndtering af savklinger.
- Klingens skal opbevares i den oprindelige emballage eller anden passende emballage, opbevares tørt og ikke i nærheden af kemikalier, som kan ødelægge klingens.

### EKSTRA SIKKERHEDSADVARSLER

- Emnet skal altid være sikkert fastspændt.
- Sørg for, at maskinen altid står stabilt (fastgør den f.eks. på arbejdsbænken).
- Bær høreværn. Støjpåvirkning kan bevirke tab af hørelse.
- Brug altid sikkerhedsbriller ved brug af produktet. Det anbefales at bruge handsker til håndtering af klinger og ru materiale, samt solide skridsikre sko for at beskytte fødderne mod emner, som kan falde ned fra skæreamrådet.
- Strømmen til produktet skal afbrydes, eller batteripakken skal fjernes, før der udføres vedligeholdelse eller rengøring af produktet.
- Installer kun batteripakken, når strømmen til produktet er afbrudt.
- Undlad at række hånden ind i området nær klingens, med mindre klingens er helt stoppet.
- Før anvendelse skal du grundigt kontrollere produktet og batteripakken for eventuelle skader eller materialetræthed. Reparation af hele produktet må kun udføres af et autoriseret serviceværksted.
- Brug altid afskærmningerne på produktet. Brug ikke

produktet, hvis afskærmningerne ikke er på plads og fungerer korrekt.

- Den nederste klingeafskærmning må kun åbnes, når klingens sænkes til arbejdsemnet og skal altid være i stand til at bevæge sig frit og lukke automatisk.
- Fastgør og brug altid forlængerstænger til understøtning af arbejdsemnet under arbejdet.
- Foretag aldrig større eller mindre ændringer på produktet eller dets funktion. Det kan gå ud over din sikkerhed.
- Undlad at bruge savklinger, som er revnet, beskadiget eller deformet.
- Brug ikke savklinger, som er fremstillet af high-speed stål.
- Der må kun benyttes skarpe klinger. Uskarpe klinger skal udskiftes.
- Brug altid klinger med en størrelse og facon, der passer til akselboringen. Klinger, som ikke passer til akslen, de skal monteres på, vil ikke dreje ordentligt rundt og kan bevirke, at man mister kontrollen over værktøjet.
- Brug kun træarbejdningsklinger angivet i denne vejledning, er i overensstemmelse med EN 847-1.
- Undlad at bruge flanger, at spændeskiver og møtrikker til at fastgøre savklingen - ud over dem, der følger med, eller som er angivet i brugsanvisningen.
- Vælg en savklinge, som passer til det emne, der skal skæres over. Brug aldrig produktet til skæring af andre materialer end dem, der angivet i afsnittet om tilsigtet brug i denne vejledning.
- Det er vigtigt at undgå overophedning og smeltning af plast under skæring.
- Det er meget vigtigt at overholde den maks. hastighed, der er angivet på savklingen. Brug kun savklinger, der er afmærket med en hastighed svarende til eller højere end den hastighed, der er angivet på værktøjet.
- Udskift bordindsatsen, så snart den er slidt eller beskadiget.
- Inden påbegyndelse af arbejdet skal man foretage et prøvesnit uden tændt motor, så man kontrollerer klingens position og skærmenes funktionsmåde i forhold til maskindelene og emnet.
- Når der foretages geringssnit, smignit eller sammensatte geringssnit, skal glideanlægget eller underanlægget justeres for at sikre den korrekte frigang fra klingens.
- Håndtagets lås skal altid være aktiveret ved transport af produktet.
- Hold guldarealet fri for løst materiale, fx spåner og afsavede dele.
- Fjern ikke træaffald eller andre dele af arbejdsemner fra saveområdet, når maskinen kører og savhovedet ikke er i hvilestilling.
- Lange emner skal støttes af på passende måde. Savens arbejdsområde omfatter hele emnets omfang. Operatøren bør sikre dette område mod utilsigtet kontakt fra andre personer eller genstande, der vil kunne flytte emnet under arbejdet.
- Det støv, der genereres ved brug af produktet, kan udgøre en sundhedsfare. Brug et

|           |
|-----------|
| EN        |
| FR        |
| DE        |
| ES        |
| IT        |
| NL        |
| PT        |
| <b>DA</b> |
| SV        |
| FI        |
| NO        |
| RU        |
| PL        |
| CS        |
| HU        |
| RO        |
| LV        |
| LT        |
| ET        |
| HR        |
| SL        |
| SK        |
| BG        |
| UK        |
| TR        |
| EL        |



støvdugsningsssystem, og bær passende støvmaske. Fjern affejret støv omhyggeligt, fx med en støvsuger.

- Udskift ikke laseren med en anden type. Reparationer må kun udføres af producenten eller en autoriseret servicetekniker.
- Omgivelsestemperaturområdet for værktøj under betjening er mellem 0°C og 40°C.
- Omgivelsestemperaturområdet for værktøj under opbevaring er mellem 0°C og 40°C.
- Det anbefalede omgivelsestemperaturområde for ladesystemet under opladning er mellem 10°C og 38°C.

### TRANSPORT AF LITHIUM-BATTERIER

Batteriet skal transporteres i henhold til lokale og nationale forskrifter og love.

Når batterier skal transporteres af tredjepart, skal alle specielle krav til emballering og mærkning efterleves. Man skal sikre sig, at ingen batterier kan komme i kontakt med andre batterier eller ledende materialer under transporten ved at beskytte blottede konnektorer med isolerende, ikke-ledende hætter eller tape. Undlad at transportere batterier med revner eller utætheder. Rådfør dig desuden hos spedistøren.

### YDERLIGERE SIKKERHEDSADVARSLER OM BATTERI

#### ⚠ ADVARSEL

For at undgå risiko for brand, kvæstelser eller beskadigelse af produktet forårsaget af kortslutning må værktøjet, batteripakken eller opladeren ikke nedsænkes i vand. Sørg ligeledes for, at der ikke trænger væske ind i enhederne og batterierne. Korroderende eller ledende væsker, f.eks. saltvand, bestemte kemikalier, blegestoffer eller produkter, som indeholder blegestoffer, kan forårsage kortslutning.

- Omgivelsestemperaturområdet for batteri under brug er mellem 0°C og 40°C.
- Omgivelsestemperaturområdet for batteriopbevaring er mellem 0°C og 20°C.

### LASERSIKKERHED

- Laserstyrerstrålen i saven er klasse 2 med max ≤1mW og 650 nm bølglængder. Undlad at se direkte ind i laserstrålen. Manglende overholdelse af disse regler kan medføre alvorlig personskade.
- Undlad at se ind i strålen under arbejdet.
- Ret ikke laserstrålen direkte mod øjnene på andre personer. Fare for alvorlige øjenskader.
- Anbring ikke laseren i en position, der kan bevirke, at andre bevidst eller ubevidst stirrer ind i laserstrålen.
- Undlad at bruge optiske værktøjer til visning af laserstrålen.
- Brug ikke laseren i nærheden af børn, og lad ikke børn bruge laseren.
- Forsøg ikke selv at reparere laseranordningen.
- Forsøg ikke selv at skifte nogen dele af

laseranordningen.

- Reparation må kun udføres af laserproducenten eller en autoriseret servicerepræsentant.
- Udskift ikke laseren med en anden type.

### UUNDGÅELIGE RISICI

Selv om produktet anvendes som foreskrevet, er det stadig umuligt at eliminere visse uundgåelige risikofaktorer fuldstændigt. Følgende risici kan opstå under brug, og operatøren bør være særligt opmærksom for at undgå følgende:

- Fare for kontakt med uafskærmede dele af den roterende savklinge.
- Tilbageslag ('kickback') af emner og emnedele pga. forkert betjening.
- Udslyngning af defekte hårdmetalspidser fra savklingen.
- Fare for skader på åndedrætsorganerne.  
**BEMÆRK:** Benyt åndedrætsværn med filtre, der svarer til det materiale, der arbejdes med. Sørg for tilstrækkelig ventilation på arbejdspladsen. Undlad at spise, drikke eller ryge i arbejdsområdet.
- Skader på hørelse ved manglende brug af effektivt høreværn.

#### ⚠ ADVARSEL

Støv fra visse typer maling, belægninger og materialer kan forårsage irritation eller allergiske reaktioner i åndedrætssystemet. Støv fra træ som fx eg, bøg, MDF og andre er kræftfremkaldende. Materiale, som indeholder asbest, må kun bearbejdes eller håndteres af hertil kvalificerede specialoperatører.

#### ⚠ ADVARSEL

Længere tids brug af et værktøj kan forårsage - eller forværre - personskader. Når man bruger et værktøj i længere perioder ad gangen, skal man huske at holde hyppige pauser.

### KEND PRODUKTET

Se side 215.

1. Håndtag, isoleret gribeflade
2. Tænd-/Sluk-kontakt
3. Sikkerhedslås-håndtag
4. Øverste klingskærm
5. Savklinge
6. Nederste klingskærm
7. Hovedanslag
8. Drejebord
9. Bundplade
10. Bordindsats
11. Låsehåndtag til drejebord
12. Balancefod
13. Antivippetag
14. Laserkontakt
15. Øverste håndtag, isoleret gribeflade
16. Flange



17. Beslagstop
18. Låsehåndtag for skråsnit
19. Spænde
20. Glidende anslag
21. Monteringshul
22. Forlængerstang
23. Skrue til låsning af hovedafskærmning
24. Aksellåseknap
25. Batterienhed
26. Støvpose
27. Knap til justering af skæredybde
28. Mas skæredybdeanslag
29. Lineær stangstopknap
30. Skrue til justering af endestop for smigvinkel
31. Sekskantnøgle

## BETJENING

Produktet har en bevægelig savklinge, der kan indstilles i forskellige vinkler af operatøren, når der skæres i et emne, der er forsvarligt fastgjort til soklen af produktet. Maskinen må kun betjenes af én person for at forhindre utilsigtet kontakt med den bevægelige savklinge.

Principperne for sikker brug af produktet er som følger:

- Sav, klinger og arbejdsområdet skal holdes i god stand.
- Kap- & geringsssavens sokkel skal fastgøres til en robust arbejdsbænk. Produktet kan bevæge sig og tippe, hvis det ikke er forsvarligt fastgjort.
- Opsæt og fastlås skærevinklerne og -dybden inden savning.
- Fastgør emnet til kap- & geringsssavens sokkel. Brug den medfølgende klemme, og om nødvendigt ekstra klemmer eller holdemekanismer til at forhindre utilsigtet bevægelse af emnet, mens der skæres.
  - Kontrollér, at klingeskærmens bevægelse ikke er hæmmet pga. emnets position.
  - Sørg for, at der ikke skæres i anslaget eller andre dele af produktet, når klingens sænkes ned i skæreposition.
- Start motoren, og vent til klingens hastighed, inden den langsomt sænkes ned og skærer emnet. Skub klingeeenheden baglæns i nødvendigt omfang for at afslutte skæringen.
- Lad klingemodulet køre op i øverste yderposition, hvor klingeskærmene er helt lukket. Sluk for motoren, og vent til klingens hastighed er helt standset, før emnet eller afskæringer fjernes, eller inden man rækker hånden ind i klingekområdet.

Før første ibrugtagning skal man sikre sig, at den smig- eller geringsvinkel, der er indstillet på produktet, svarer til den vinkel, der skal fremstilles i emnet. Dette kan man kontrollere på et stykke affaldstræ ved hjælp af tømmersejler eller geringsklods.

### ⚠ ADVARSEL

Producenten anbefaler på det kraftigste, at produktet altid monteres forsvarligt på en arbejdsbænk.

Når bunden af produktet er solidt fastgjort til en bordplade med fire møtrikker, bolte og spændeskiver som anvist, kan

produktet anvendes ved maks. facet- og geringsindstillinger uden mulighed for at vælte. Hvis produktet ikke er ordentligt fastgjort, kan det få overbalance, når der arbejdes med store smigvinkler.

På forsiden af gerings- & kapsaven er der en udtræksstang, som skal trækkes helt ud. Dette vil bidrage til at forhindre kap- & geringsssaven i at få overbalance.

Der findes også en justeringsskrue (balancefod), som rager ud fra bunden af forlænger-drejebordet. Denne skrue bør justeres således, at den rører ved den flade overflade, som produktet hviler på. Dette vil også forhindre produktet i at få overbalance, når det fulde omfang af slæde og smig udnyttes under skæringen. Vær opmærksom på, at denne del af savbordet bevæger sig, når der vælges forskellige geringsvinkler, hvorfor det er nødvendigt at indstille skruen ofte.

## VEDLIGEHOLDELSE

- Undlad at ændre produktet på nogen måde eller bruge tilbehør, som ikke er godkendt af producenten. Det kan gå ud over din og andres sikkerhed.
- Undlad at bruge produktet, hvis kontakter, skærme eller andre funktioner ikke fungerer efter hensigten. Indlevér på autoriseret servicecenter til professionel reparation eller justering.
- Undlad at foretage justeringer, mens savklingen roterer.
- Kontroller altid, at batteripakken er blevet fjernet fra produktet, inden der foretages justeringer og smøring, og når der udføres vedligeholdelse på produktet.
- Inden og efter hver brug skal produktet kontrolleres for skader eller afbrækkede dele. Hold altid produktet i god stand ved straks at udskifte dele med reservedele, der er godkendt af producenten.
- Klingens skarpe kanter og kan være varme efter skærehandlinger. Vær meget forsigtig, når du rengør en eksponeret klinge. Brug handsker for at beskytte dig selv mod skade.
- Rengør sav og tilbehør for støv med regelmæssige mellemrum og specielt for bevægelige dele, inkl. klingeafskærmning. Brug en håndbørste eller støvsuger til effektiv fjernelse af støv. Anvend ikke trykluft.
- For bedre sikkerhed og pålidelighed skal alt reparationsarbejde, inkl. udskiftning af børster, udføres på et autoriseret servicecenter.

### ⚠ ADVARSEL

Forsøg ikke at adskille klingeafskærmningen med henblik på rengøring eller reparation. Beskadigede afskærmninger må ikke bruges. Returner produktet til et aut. serviceværksted i tilfælde af reparation eller udskiftning.

### ⚠ ADVARSEL

For bedre sikkerhed og pålidelighed skal alt reparationsarbejde udføres på et autoriseret servicecenter.

## Kalibrering af gerings- og smigvinkel

Hvis der er brug for kalibrering af gerings- og smigvinkel, se side 236 – 242, og følg kalibreringsanvisningerne.

## Mas skæredybdeanslag

Formålet med anslaget for max skæredybde er at forhindre savklingen i at skære ind i enhedens metalsokkel.

### ⚠ ADVARSEL

Anslaget for max skæredybde kan ikke justeres af brugeren. Undlad at indstille knappen til max skæredybdestop.

## TRANSPORT OG OPBEVARING

- Fjern batteripakken fra produktet ved opbevaring. Opbevar produktet på et sikkert sted, der er utilgængeligt for børn.
- Rengør produktet med en børste og støvsuger, inden det stilles til opbevaring.
- Hvis man fjerner savklingen eller opbevarer reservedele til enheden, skal man sikre sig, at sådanne opbevares i den originale emballage for at undgå personskader.

### Til fastlåsning af produktet, inden det flyttes:

- Produktet bør opbevares ved nul graders gevings- og smigvinkel og låses fast. Slæden skal være låst. Håndtaget skal låses i nederste (sikre) position med lukkede afskærmninger.
- Den ene eller begge sider på forlængerstængerne kan fjernes for at gøre det nemmere at bære produktet.

### Ved flytning eller transport med et køretøj:

- Fastgør produktet inden bevægelse, som beskrevet i denne brugsanvisning.
- Fjern produktet fra arbejdsbænken ved at løsne de 4 bolte, én i hvert hjørne. Gem boltene til senere brug. Løft produktet i håndtaget oven på produktet.
- Ved løft til en vis højde kræves der to personer iført kraftige handsker til at løfte produktets sokkel.
- Ved transport i et køretøj skal produktet stilles på soklen og fastgøres, så det ikke kan bevæge sig.

## MILJØBESKYTTELSE



Råmaterialerne skal genbruges og ikke bortskaffes som almindeligt affald. Af hensyn til miljøet skal redskab, tilbehør og emballage sorteres.

## SYMBOLER PÅ PRODUKTET



Sikkerhedsadvarsel



CE-overensstemmelse



EurAsian overensstemmelsesmærke



Ukrainsk overensstemmelsesmærke



Læs venligst vejledningen grundigt igennem før maskinen tages i brug.



Benyt hørevern



Brug altid øjenværn.



Hold hænderne på afstand af skærområdet og klingen.



Må ikke udsættes for regn eller bruges i fugtige omgivelser.



Bær sikkerhedshandsker



Klingens rotationsretning (vist på savklinge)



Klingens omløbsretning (vist på klingeskærmen)



Klingens snitbredde (snitfuge)



Antal tænder på denne savklinge



Savekapacitet



Tilskæring af træ og tilsvarende materiale



Ikke til skæring af metaller



Laserstråling.  
Se aldrig direkte ind i strålen.  
Klasse 2-laserprodukt



Elektriske affaldsprodukter bør ikke afskaffes sammen med husholdningsaffald. Genbrug venligst hvor faciliteterne tillader dette. Tjek med din lokale kommune eller forhandler for genbrugsråd.

**SYMBOLER I BRUGSANVISNINGEN**



Lås



Oplås



Låsemekanisme virker ikke



Dele eller tilbehør, der sælges separat



Bemærk



Advarsel

De følgende ikoner og betydninger er beregnet til at forklare risikoen involveret i at anvende denne enhed.

**⚠ FARE**

Indikerer en umiddelbart farlig situation, som - hvis den ikke afværges - vil medføre dødsfald eller alvorlig personskade.

**⚠ ADVARSEL**

Indikerer en potentielt farlig situation, som - hvis den ikke afværges - kan medføre dødsfald eller alvorlig personskade.

**⚠ VÆR OPMÆRKSOM**

Indikerer en potentielt farlig situation, som - hvis den ikke afværges - kan medføre mindre eller middelsvær personskade.

**VÆR OPMÆRKSOM**

(Uden sikkerhedssymbol) indikerer en situation som kan føre til skade af personlig ejendom.

Säkerhet, prestanda och pålitlighet har fått högsta prioritet vid utformningen av din gersåg.

### ANVÄNDNINGSSOMRÅDE

Gersågen är avsedd för sågning i massivt trä och spånskivor, träliknande material, med eller utan limmat fanér, och plast.

Produkten är avsedd för vuxna användare som har läst instruktionsboken och inser riskerna och farorna.

Produkten ska vid basen fixeras på en solid bänkskiva. Om basen inte är ordentligt säkrad kan hela maskinen röra sig under sågning vilket ökar risken för allvarlig personskada.

Produkten är utformad för utföra fasade och gerade snitt. Kapaciteterna för de olika snitten återges i produktspecifikationerna i den här manualen.

Produkten får bara användas i torra miljöer, med utmärkt omgivningsbelysning och adekvat ventilation.

Produkten är avsedd för privat bruk och får enbart användas så som beskrivs ovan och inte för något annat ändamål.

### ALLMÄNNA SÄKERHETSFÖRESKRIFTER FÖR MASKINVERKTYG

#### ⚠ VARNING

Läs uppmärksamt alla varningar, instruktioner och specifikationer som bifogas med detta verktyg och studera bilderna. Underlåtenhet att respektera dessa föreskrifter kan leda till olyckor som brand, elektriska stötår och/eller allvarliga kroppsskador.

Behåll dessa varningar och anvisningar för framtida referens. Termen "elektriskt verktyg" i varningarna avser ditt nätdrivna elverktyg (med sladd) eller ditt batteridrivna elverktyg (sladdlöst).

### ARBETSOMRÅDESSKYDD

- **Håll arbetsområdet rent och använd god belysning.** Skräpiga och mörka utrymmen inbjuder till olyckor.
- **Använd inte motordrivna verktyg i explosiva miljöer, till exempel i närheten av brännbara vätskor, brännbara gaser eller damm.** Motordrivna verktyg skapar blixtrar som kan antända damm och ångor.
- **Håll barn och åskådare på avstånd när du använder verktyget.** Distractioner kan få dig att tappa kontrollen.

### ELSÄKERHET

- **El-verktygskontakter måste passa i vägguttaget.** Gör aldrig ändringar i kontakten på något sätt. Använd inte delningakontakter tillsammans med jordade el-verktyg. Oförändrade kontakter och passande vägguttag reducerar risken för elektrisk chock.
- **Undvik kroppskontakt med jordade ytor så som rör, element, spisar och kylskåp.** Risken för elektrisk chock ökar om din kropp är jordad.
- **Utsätt inte motordrivna verktyg för regn eller blöta omgivning.** Vatten som tränger in i ett motordrivet verktyg ökar risken för elektrisk stöt.

- **Skada inte sladden. Använd aldrig sladden till att bära med, dra ur eller koppla ur el-verktyget med. Håll strömsladden borta från värme, olja, vassa kanter och rörliga delar.** Trassliga eller skadade sladdar ökar risken för elektrisk chock.
- **När du använder ett el-verktyg utomhus måste en förlängningsladd för utomhusbruk användas.** Användning av kabel avsedd för utomhusbruk reducerar risken för elektrisk chock.
- **Om du inte kan undvika att använda el-verktyget i fuktiga utrymmen, använd en jordfelsbrytare som skydd.** En jordfelsbrytare reducerar risken för elektrisk chock.

### PERSONSÄKERHET

- **Se upp med vad du gör och använd sunt förnuft när du använder verktyget. Använd inte verktyg när du är trött eller påverkad av droger, alkohol eller mediciner.** Ett ögonblicks ouppmärksamhet vid användning av motordrivna verktyg kan resultera i allvarlig personskada.
- **Använd personlig skyddsutrustning. Bär alltid ögonskydd.** Skyddsutrustning som en damm mask, halkfria skyddsskor, en hård hjälm, eller hörselskydd som används under lämpliga förhållanden minskar personskador.
- **Undvik oavsiktlig start. Försäkra dig om att brytaren står i fränslaget läge innan du ansluter limpistolen till en strömkälla och/eller ett batteri, samt innan du plockar upp eller bär produkten.** Att bära elverktyg med fingret på brytaren eller att låta energigivande elverktyg vara igång med brytaren påslagen är att bjuda in till olycksfall.
- **Avlägsna inställningsverktyg eller nyckel innan du sätter på el-verktyget.** En nyckel eller annat verktyg som sitter kvar på en roterande del i el-verktyget kan orsaka kroppsskada.
- **Sträck dig inte. Ha alltid ett bra fotfäste och en god balans.** Detta ger bättre kontroll av el-verktyget i oväntade situationer.
- **Klä dig korrekt. Bär inte löst åtsittande kläder eller smycken. Håll ditt hår och dina kläder borta från rörliga delar.** Löst åtsittande kläder, smycken och långt hår kan fastna i rörliga delar.
- **Om enheter tillhandahålls för anslutningen av dammsuget och uppsamlingsanläggningar, säkerställ att dessa är ansluta och används korrekt.** Användningen av dammuppsamling kan minska dammrelaterade faror.
- **Låt inte den erfarenhet som följer med vana vid verktygsanvändning göra dig oförsiktig och ignorera säkerhetsprinciper för verktygsanvändningen.** En slarvig handling kan orsaka allvarlig skada inom en bråkdel sekund.

### ANVÄNDNING OCH UNDERHÅLL AV MOTORVERKTYG

- **Använd inte kraft mot verktyget. Använd rätt produkt för applikationen.** Rätt produkt gör arbetet enklare och säkrare i den takt som den är avsedd för.
- **Använd inte el-verktyget om det inte startar när du slår på eller av switchen.** Ett el-verktyg som inte



kan kontrolleras med switchen är farligt och måste repareras.

- **Ta ut kontakten ur eluttaget och/eller ta bort batteripaketet, ifall avtagbart, från elverktyget innan du gör några justeringar, byter tillbehör eller förvarar elverktyg.** Sådana förebyggande säkerhetsåtgärder minskar risken för att starta produkten oavsiktligt.
- **Förvara oanvända el-verktyg utom räckhåll för barn och låt inte oerfarna människor använda el-verktyget.** El-verktyg är farliga i händerna på oerfarna användare.
- **Underhåll elverktyg och tillbehör.** Kontrollera att det inte föreligger någon obalans eller oförmåga för rörliga delar att röra sig, att inga delar är trasiga och att ingenting annat som påverkar användningen av det motordrivna verktyget föreligger. Om maskinen är skadad måste den repareras innan den kan användas. Många olyckor uppstår på grund av dåligt underhållna verktyg.
- **Håll skärverktyg vassa och rena.** Korrekt underhålla skärverktyg med vassa kanter är mindre benägna att fastna och lättare att kontrollera.
- **Använd produkten, tillbehör och insatsverktyg mm. i enlighet med dessa anvisningar, och anpassat till arbetsförhållandena och det arbete som ska utföras.** Användning av el-verktyget för andra områden än de avsedda kan resultera i en riskfylld situation.
- **Håll handtag och greppytor torra, rena och fria från olja och smörj fett.** Håll handtag och greppytor tillåter inte säker hantering och kontroll av verktyget i oväntade situationer.

## ANVÄNDNING OCH HANTERING AV BATTERIVERKTYG

- **Använd endast den laddare som specificeras av tillverkaren för uppladdning av batteriet.** En laddare som passar en typ av batteri kan innebära brandrisk om den används med annat batteri.
- **Använd endast elverktyg med specifikt utformade batteripaket.** Användning av andra batterier kan utgöra en risk för olycksfall och eldsvåda.
- **När batterier inte används ska det hållas på avstånd från metallföremål som gem, mynt, nycklar, spik, skruvar och andra metallföremål som kan ansluta mellan de olika polerna.** Att kortsluta batteriterminalerna kan orsaka brännskador eller brand.
- **Vid missbruk kan vätska tränga ut ur batteriet, undvik att komma i kontakt med den. Om du av misstag kommer i kontakt med vätskan, skölj med vatten. Om vätskan kommer i kontakt med ögonen, kontakta också läkare.** Vätska som tränger ut ur batteriet kan orsaka irritation eller brännskador.
- **Använd inte ett batteripaket eller ett verktyg som är skadat eller har modifierats.** Skadade eller modifierade batterier kan bete sig oförutsägbart, vilket kan leda till brand, explosion eller risk för olycksfall.
- **Utsätt inte ett batteripaket eller ett verktyg för eld eller mycket hög temperatur.** Exponering för eld eller hög temperatur över 130 °C kan orsaka explosion.
- **Följ alla anvisningar för laddning och ladda inte batteripaketet eller verktyget vid en temperatur**

**utanför det intervall som anges i anvisningarna.** Att ladda på felaktigt sätt eller vid temperaturer utanför det angivna intervallet kan skada batteriet och ökar brandrisken.

## SERVICE

- **Se till att ditt el-verktyg får service av en kvalificerad tekniker som bara använder identiska reservdelar.** Detta garanterar en säker användning av det motordrivna verktyget.
- **Reparera aldrig skadade batteripaket.** Reparation av batteripaket får endast utföras av tillverkaren eller en auktoriserad serviceverkstad.

## SÄKERHETSANVISNINGAR FÖR GERSÅGAR

- **Gersågar är avsedda för att skära trä och träliknande produkter, de kan inte användas tillsammans med slipande kapningshjul för skärning av järnhaltigt material som stänger, stavar, stolpar osv. Slipande damm gör att rörliga delar som det nedre skyddet fastnar.** Gnistor från slipande skärning bränner det nedre skyddet, sågsnittets insats och andra delar av plast.
- **Använd klämmor som stöd för arbetsstycket när så är möjligt. Om du håller i arbetsstycket med händerna, måste du alltid hålla dina händer åtminstone 100 mm från var sida av sågbladet. Använd inte denna såg för att skära bitar som är för små för att spännas fast säkert eller måste hållas för hand. Om din hand är placerad för nära sågbladet, finns det en ökad risk för skada i händelse av kontakt med bladet.**
- **Arbetsstycket måste vara stillastående och fastspänt eller hållas mot både anslaget och bordet. Mata inte in arbetsstycket i bladet eller skär "på fri hand".** Okontrollerade eller rörliga arbetsstycken kan kastas iväg i höga hastigheter, vilket kan orsaka skada.
- **Tryck sågen genom arbetsstycket. Dra inte sågen genom arbetsstycket. För att göra ett snitt, höj såghuvudet och dra det ut över arbetsstycket utan att skära, starta motorn, tryck ner såghuvudet och tryck sågen genom arbetsstycket.** Att skära på pull-stroke kommer säkerligen göra att sågbladet reser sig över arbetsstycket och kasta bladmonteringen med våld mot operatören.
- **Håll aldrig din hand över den avsedda linjen för skärning, framför eller bakom sågbladet.** Att hålla stödjande arbetsstycket med "korsade händer", t.ex. att hålla arbetsstycket till höger om sågbladet med din vänstra hand eller tvärtom är väldigt farligt.
- **Sträck dig inte bakom anslaget med någon av dina händer närmare än 100 mm från var sida av sågbladet, för att ta bort trärester eller av någon annan anledning medan bladet snurrar.** Närheten till det snurrande sågbladet och din hand kanske inte är uppenbar och du kan skadas allvarligt.
- **Inspektera arbetsstycket före skärning. Om arbetsstycket är böjt eller krökt, spänn det med den yttre böjda sidan mot anslaget. Säkerställ alltid att det inte finns något gap mellan arbetsstycket, anslaget och bordet längs med skärinjen. Böjda**

|           |
|-----------|
| EN        |
| FR        |
| DE        |
| ES        |
| IT        |
| NL        |
| PT        |
| DA        |
| <b>SV</b> |
| FI        |
| RU        |
| NO        |
| PL        |
| CS        |
| HU        |
| RO        |
| LV        |
| LT        |
| ET        |
| HR        |
| SL        |
| SK        |
| BG        |
| UK        |
| TR        |
| EL        |





eller krökta arbetsstycken kan vridas eller röra på sig och orsaka att sågbladet fastnar eller vrids. Det får inte finnas några spikar eller främmande föremål i arbetsstycket.

- **Använd inte sågen förrän bordet är fritt från verktyg, trärester osv., med undantag för arbetsstycket.** Skräp eller lösa träbitar eller andra föremål som kommer i kontakt med det roterande bladet kan kastas iväg med hög hastighet.
- **Skär endast ett arbetsstycke i taget.** Flera staplade arbetsstycken kan inte spännas fast säkert eller fästas och kan fastna på bladet eller vridas under skärning.
- **Säkerställ att gersågen är monterad och placerad på en jämn, stabil arbetsyta före användning.** En jämn och stabil arbetsyta minskar risken för att gersågen blir ostabil.
- **Planera ditt arbete. Varje gång du ändrar skråvinkel eller vinkel för gersågen, säkerställ att det justerbara anslaget är korrekt för att stödja arbetsstycket och kommer stör bladet eller skyddssystemet.** Utan att slå "PÅ" verktyget och utan något arbetsstycke på bordet, rör sågbladet genom en helt simulerad skärning för att säkerställa att det inte finns någon störning eller fara vid skärning genom anslaget.
- **Tillhandahåll tillräckligt stöd i form av bordsförlängningar, sågbocker osv., för ett arbetsstycke som är bredare eller längre än bordsskivan.** Arbetsstycken som är längre eller bredare än bordet för gersågen kan tippa om de inte stöds på ett säkert sätt. Om avskärningsbiten eller arbetsstycket tippar, kan det resa det nedre skyddet eller kastas iväg av det snurrande bladet.
- **Använd inte en annan person som ersättare för en bordsförlängning eller för ytterligare stöd.** Ostabil stöd av arbetsstycket kan orsaka att bladet fastnar eller att arbetsstycket vrids under skärning, vilket kan göra att du och medhjälparen dras in i det snurrande bladet.
- **Avskärningsbiten måste in fästas eller tryckas mot det snurrande sågbladet på något sätt.** Om begränsat, använd t.ex. längdstopp, avskärningsbiten kan bli inkilad i bladet och kastas iväg med våld.
- **Använd alltid en klämma eller en fixtur som är utformad för att korrekt stödja runt material som stänger eller rör.** Stänger har en tendens att snurra medan de skärs, vilket gör att bladet "biter" och drar in arbetsstycket samt din hand in i bladet.
- **Låt bladet uppnå full hastighet innan du vidrör arbetsstycket.** Detta minskar risken för att arbetsstycket kastas iväg.
- **Stäng av (off) gersågen om arbetsstycket eller bladet fastnar. Invänta att alla rörliga delar har avstannat och koppla loss kontakten från strömkällan och/eller ta ur batteripaketet. Arbeta sedan för att frigöra materialet som fastnat.** Att fortsätta säga med material som fastnat kan göra att du tappar kontrollen eller skada gersågen.
- **Efter slutförd skärning, släpp strömbrytaren, håll såghuvudet nedåt och vänta tills bladet har stannat före du tar bort avskärningsbiten.** Att sträcka din hand nära kastbladet är farligt.

## SÄKERHETSINSTRUKTIONER FÖR TRÄSÄGKLINGA

- Läs manualen och anvisningarna noggrant innan du använder sågbladet och produkten.
- Det eldrivna verktyget måste vara i gott skick, spindeln deformations- och vibrationsfri.
- Använd inte produkten utan skydden på plats. Underhåll och sköt skydden så att de hålls i bra skick.
- Säkerställ att operatören har tillräcklig utbildning när det kommer till säkerhetsåtgärder, justering och drift av produkten.
- Använd alltid skyddsglasögon och öronskydd vid användning av produkten. Det är rekommenderat att använda handskar, kraftiga skor med halkskydd och ett förkläde.
- Läs alltid bruksanvisningen innan ett tillbehör skall användas. Felaktig användning av ett tillbehör kan orsaka skador och ökar risken för olyckor.
- Använd endast klingor som specificerats i denna manual, enligt EN 847-1.
- Observera den maximala hastigheten som finns angiven på sågklingan. Kontrollera att hastigheten som anges på sågklingan är minst lika hög som den som anges på sågen.
- Använd alltid sågklingor vars storlek och form är anpassade till axelns fästhål. Sågklingor som inte är anpassade till axeln på vilken de ska monteras roterar inte normalt och leder till att man förlorar kontrollen.
- Använd inte klingor av större eller mindre diameter än vad som rekommenderas. Använd inte brickor för att få klingan att passa på tappen.
- Kontrollera spetsarna på sågbladet med avseende på skador och onormalt utseende innan du använder det. Skadade eller löst sittande spetsar kan bli flygande objekt när sågen används och ökar risken för personskador.
- Spruckna sågklingor eller sådana som förändrat form får ej användas! Använd inga sågblad som har tagit skada eller är defomererade.
- Du får aldrig reparera sågbladet om det är skadat, deformerat, förvridet eller sprucket - om det har skador ska det skrotas.
- Använd inte HSS-klingor.
- Säkerställ att sågbladet är korrekt monterat, fäst spindelmuttern ordentligt innan användning (åtdragningsmoment ca 12-15 Nm).
- Fästskruv och muttrar skall fästas med lämplig skruvnyckel osv.
- Extension av skruvnyckeln eller åtdragning med hjälp av hammerslag är inte tillåtet.
- Se till att alla klingor och glansar är rena och de ingröpta sidorna av kragen är vända mot klingan.
- Kontrollera att klingan roterar i rätt riktning.
- Före arbete bör du göra en provkapning utan motorn påslagen så att läget för bladet och skydden i förhållande till andra maskiner och arbeten kan kontrolleras.
- Lämna aldrig produkten utan uppsikt.
- Applicera in smörjmedel på bladet när det är igång.





- Utför aldrig rengöring eller underhållsarbete medan maskinen är igång och huvudet inte är i läge.
- Försök aldrig stoppa maskinen snabbt genom att använda ett verktyg eller på annat sätt mot klingan, oavsiktliga allvarliga olyckor kan orsakas på det här sättet.
- Koppla bort produkten från elnätet eller ta ur batteripaketet innan du byter blad eller utför underhållsarbete.
- Var noga vid packning och upppackning av klingan, man kan lätt skadas av de vassa spetsarna.
- Använd hållare eller skyddshandskar när du hanterar sågklingor.
- Förvara klingan i sin originalförpackning eller annan lämplig förpackning, se till att den förvaras torr och inte i närheten av kemikalier som kan skada klingan.

### YTTERLIGARE SÄKERHETSFÖRESKRIFTER

- Kläm alltid fast arbetsstycket ordentligt så det sitter säkert.
- Se till att maskinen alltid står stadigt (t.ex. genom att fästa den på arbetsbänken).
- Bär hörselskydd. Bullerbelastning kan orsaka hörselskador.
- Använd alltid skyddsglasögon och öronskydd vid användning av produkten. Vi rekommenderar skyddshandskar vid hantering av sågblad och grovt material, plus kraftiga halkfria skor som skyddar fötterna från arbetsstycken som kan falla ner från sågytan.
- Koppla bort produkten från elnätet eller ta ur batteripaketet innan du utför underhållsarbete eller rengör produkten.
- Installera endast batteripaketet när produkten är avstängd.
- Sträck dig aldrig in i området nära bladet om det inte helt har slutat rotera.
- Inspektera produkten grundligt med avseende på skador samt batteripaketet eller materialförsvagningar innan du använder den. Reparationer av hela produkten skall utföras av ett auktoriserat servicecenter.
- Använd alltid produktens skydd. Använd inte produkten om skydden inte är på plats och fungerar korrekt.
- Det lägre skyddet för bladet skall bara öppnas när bladet har sänkts mot arbetsstycket, och måste alltid kunna röra sig fritt och stängas automatiskt.
- Fixera alltid och använd förlängningsstänger för att stödja arbetsstycket under drift.
- Ändra eller modifiera aldrig produkten eller dess funktioner. Din säkerhet kan vara i fara.
- Använd inga sågblad som är spruckna, skadade eller deformerade.
- Använd inga sågklingor som är tillverkade av highspeed stål.
- Använd enbart vassa blad. Byt ut blad som inte är vassa.
- Använd alltid sågklingor vars storlek och form är anpassade till axelns fästhål. Sågklingor som inte är anpassade till axeln på vilken de ska monteras roterar inte normalt och leder till att man förlorar kontrollen.
- Använd endast blad avsedda för träbearbetning som anges i denna manual, som överensstämmer med EN 847-1.
- Använd inte flänsar, distanser eller muttrar för att säkra sågbladet förutom de som medföljs eller anvisas i bruksanvisningen.
- Välj en sågklinga som lämpar sig för materialet som ska sågas. Använd aldrig produkten för att skära material annat än de som specificerats i den avsedda användningssektionen i denna manual.
- Det är viktigt att undvika överhettning av bladet och smältning av plast vid skärning.
- Det är viktigt att tillämpa maximal hastighet som står angiven på sågbladet, använd endast sågblad som är markerade med en hastighet som är lika eller högre än hastigheten som anges på verktyget.
- Byt ut bordsinlägget när det är slitet eller skadat.
- Före arbete bör du göra en provkapning utan motorn påslagen så att läget för bladet och skydden i förhållande till andra maskiner och arbeten kan kontrolleras.
- Vid utförande av gerade, fasade eller kombinerade skärningar, justera det glidande anslaget eller det extra anslaget för att säkerställa korrekt avstånd från bladet.
- Handtagslåset måste alltid inkopplat vid transport av produkten.
- Håll golvet rent från löst material, exempelvis sågspån och avsågade delar.
- Avlägsna ej några sågningsrester eller andra delar av arbetsstycket från sågens arbetsområde, när maskinen är i gång och såghuvudet inte är i sitt ursprungsläge.
- Stötta långa arbetsstycken på lämpligt sätt. Arbetsområdet för sågen inkluderar hela omfattningen av arbetsstycket. Användaren ska säkra området från kontakt av misstag av andra personer eller föremål som kan flytta arbetsstycket under användning.
- Det damm som uppstår vid användning av produkten kan utgöra en hälsofarlig. Använd dammuppsamlingssystem och lämpligt andningsskydd. Ta noggrant bort ansamlat damm med exempelvis en dammsugare.
- Byt inte ut lasern mot någon annan typ. Eventuella reparationer måste utföras av tillverkaren eller av auktoriserade serviceombud.
- Omgivningstemperatur för verktyget vid drift skall ligga mellan 0 °C och 40 °C.
- Omgivningstemperatur för verktyget vid förvaring skall ligga mellan 0 °C och 40 °C.
- Den rekommenderade omgivningstemperaturen vid laddning av systemet skall ligga mellan 10 °C och 38 °C.

### TRANSPORTERA LITIUMBATTERIER.

Transportera batteriet enligt lokala och nationella lagar och regleringar.

Följ alla specifika krav på förpackning och etiketter när batteri transporteras av tredje part. Se till att batteriet inte kommer i kontakt med andra batterier eller ledande material genom att skydda exponerade kontakter med isolerande, icke ledande skydd eller tejp. Transportera inte batterier som är spruckna eller läcker. Kontrollera med vidarebefordrande företag för mer information.



## YTTERLIGARE SÄKERHETSVARNINGAR FÖR BATTERIER

### ⚠ VARNING

För att undvika den fara för brand, personskador eller produktskador som orsakas av en kortslutning, doppa inte ner verktyget, utbytesbatteriet eller laddaren i vätskor och se till att ingen vätska kan tränga in i apparaterna eller batterierna. Korroderande eller ledande vätskor, som saltvatten, vissa kemikalier, blekningsmedel eller produkter som innehåller blekmedel, kan orsaka en kortslutning.

- Omgivningstemperatur för batteriet vid drift skall ligga mellan 0 °C och 40 °C.
- Omgivningstemperatur för batteriet vid förvaring skall ligga mellan 0 °C och 20 °C.

## LASER SÄKERHET

- Strålningen från laserstrålen som används i sågen är av Klass 2 med maximalt  $\leq 1\text{mW}$  och 650 nm våglängd. Titta inte rakt in i laserstrålen. Om inte riktlinjerna följs kan det leda till allvarlig personskada.
- Titta inte in i laserstrålen under användning.
- Rikta inte laserstrålen direkt mot andra personers ögon. Allvarlig ögonskada kan uppstå.
- Placera inte lasern i ett läge där någon kan titta in i laserstrålen medvetet eller av misstag.
- Använd inga optiska instrument för att titta på laserstrålen.
- Använd inte lasern i närheten av barn och låt inte heller barn använda lasern.
- Försök inte att laga laserenheten själv.
- Försök inte själv utföra ändringar på laserapparaten.
- Reparationer får endast utföras av lasertillverkaren eller en auktoriserad serviceagent.
- Byt inte ut lasern mot någon annan typ.

## RESIDUALRISK

Även om produkten används enligt instruktionerna går det inte att eliminera alla eventuella riskfaktorer. Följande risker kan uppstå vid användning och operatören ska vara extra uppmärksam för att undvika följande:

- Risk för kontakt med oskyddade delar av det roterande sågbladet.
- Återkast från arbetsstycken eller delar av arbetsstycken på grund av felaktig hantering.
- Felaktiga hårdmetallskär kan skjutas ut från sågklingan.
- Skador på andningsvägarna.  
**NOTERA:** Använd andningsskydd med filter som är lämpliga för de material som du arbetar med. Se till att arbetsplatsen är tillräckligt ventilerad. Ät, drick eller rök inte på arbetsområdet.
- Skada på hörseln om ett effektivt hörselskydd inte används.

### ⚠ VARNING

Damm från viss typ av färg, ytor och material kan skapa irritation eller allergiska reaktioner i andningssystemet. Damm från trä som ek, bok, MDF och annat är cancerframkallande. Material som innehåller asbest får enbart bearbetas av specialutbildade användare.

### ⚠ VARNING

Risk för person- eller slitageskador vid användning av verktyget under lång tid. Om verktyget används under längre perioder krävs regelbundna pauser.

## LÄR KÄNNA DIN PRODUKT

Se *sidan 215*.

1. Handtag, isolerad greppyta
2. Strömbrytare
3. Handtag för säkerhetslås
4. Övre skyddskåpa
5. Sågblad
6. Nedre skyddskåpa
7. Huvudstängsel
8. Tallrik
9. Bottenplatta
10. Bordsinlägg
11. Låshandtag för tallrik
12. Balansfot
13. Tippskydd
14. Laserbrytare
15. Övre handtag, isolerad greppyta
16. Fläns
17. Stödstopp
18. Vinkellåsspak för avfasning
19. Klämma
20. Glidstängsel
21. Monteringshål
22. Utdragbar stav
23. Skruvar för låsning av anhäng
24. Låsknapp för axeln
25. Batteripack
26. Damppåse
27. Vred för inställning av sågdjup
28. Stopp för max sågdjup
29. Stoppvred för linjärstav
30. Skruvar för att justera stoppränsen för fasvinkel
31. Sexkantsnyckel

## ANVÄNDNING

Produkten har ett rörligt sågblad som kan ställas in olika vinklar av användaren för att såga i arbetsstycken som är säkert fixerade vid produktens bas. Det får bara användas av en person för att förhindra kontakt av misstag med sågbladet när det är i rörelse.

Föreskrifter för säker användning av produkten är som följer:

- Håll såg, blad och arbetsyta i gott skick.
- Säkra geringsågen vid en stadig arbetsbänk. Produkten kan röra sig och välta om den inte är tillräckligt säkrad.
- Ställ in och lås sågvinklar och djup före sågning.





- Säkra arbetsstycket till geringssågens bas. Använd den medföljande klämmen och, vid behov, ytterligare klämmor eller fästaneländningar för att hindra oönskad rörelse av arbetsstycket under sågning.
  - Kontrollera att bladsyddet inte hindras av arbetsstyckets placering.
  - Se till att stängsel och andra delar av produkten inte sägas när bladet sänks till sågläge.
- Starta motorn och låt bladet komma upp i full hastighet innan du sakta sänker ner det för att såga i arbetsstycket. Skjut bladmonteringen bakåt för att slutföra nödvändig skärning.
- Låt bladet komma upp i sitt högsta läge där bladsyddet är helt slutet. Stäng av motorn och låt bladet stanna helt innan arbetsstycke eller avsågade delar tas bort och före du sträcker dig in i bladets närhet.

Före första användning, se till att fasningen eller geringinställningen på produkten stämmer med vinkeln på arbetsstycket. Kontrollera på en träbit med vinkelhake eller gering.

**⚠ VARNING**

Tillverkaren rekommenderar att geringssågen alltid är solitt monterad på arbetsbänk.

När produktens bas är ordentligt säkrad vid en bänkskiva med fyra muttrar, bultar och brickor som det beskrivits, kan produkten användas med max-inställningar för avfasning och geringssågning utan risk för att den välter. Om produkten inte är ordentligt säkrad kan den överbalansera om stora fasningsvinklar väljs.

På geringssågens framsida finns en utdragbar stav som ska dras ut i sin fulla längd. Det hjälper att förhindra geringsågen att överbalansera.

Det finns även en justerskruv (balanserande fot) som sticker ut från undersidan på förlängningens tallrik. Denna skruv kan ställas in så den rör vid den jämna ytan som produkten vilar på. Det hindrar även att produkten överbalanserar vid fullängdsågning för slåde och avfasning. Var försiktig eftersom denna del av sågbordet rör sig när olika geringvinklar väljs så skruvarna måste regelbundet justeras och dras åt.

**UNDERHÅLL**

- Modifiera inte produkten på något sätt och använd inga tillbehör som inte godkänts av tillverkaren. Din och andras säkerhet kan vara i fara.
- Använd inte produkten om brytare, skydd eller andra funktioner inte fungerar som avsett. Lämna den till auktoriserat servicecenter för reparation eller justering.
- Gör inga justeringar medan sågbladet är i rörelse.
- Säkerställ alltid att batteripaketet har tagit bort från produkten innan du gör några justeringar, smörjer eller vid underhåll av produkten.
- Före och efter användning ska produkten kontrolleras så det inte finns skadade eller trasiga delar. Håll produkten i gott skick genom att omedelbart ersätta delar med reservdelar som tillhandahålls av tillverkaren.
- Bladet har skarpa kanter och kan vara varmt efter skärningsoperationer. Var extremt försiktig när du

rengör det exponerade bladet. Använd handskar för att förhindra personskada.

- Rengör regelbundet sågen och dess tillbehör från damm, särskilt rörliga delar inklusive bladsyddet. Använd en handborste eller dammsugare för att effektivt ta bort damm. Använd inte tryckluft.
- För säkerhet och pålitlighet ska alla reparationer, inklusive byte av borstar, utföras av auktoriserat reparationscenter.

**⚠ VARNING**

Försök inte nedmontera bladsyddsmonteringen vid rengöring eller reparation. Skadade skydd får inte användas. Returnera till ett auktoriserat center för reparation eller utbyte.

**⚠ VARNING**

För säkerhet och pålitlighet ska alla reparationer utföras av auktoriserat reparationscenter.

**Kalibrering av gersågens vinkel och skråvinkel**

Om gersågens vinkel eller skråvinkeln måste kalibreras, se sidorna 236 – 242 och följa anvisningarna för kalibrering.

**Stopp för max sågdjup**

Stoppet för max sågdjup finns för att hindra att sågen sågar i metallen i enheten.

**⚠ VARNING**

Stoppet för max sågdjup kan inte justeras av användaren. Ändra inte stoppet för max sågdjup.

**TRANSPORT OCH FÖRVARING**

- Ta bort batteripaketet från produkten vid förvaring. Förvara produkten på säker plats där inga barn kan komma åt den.
- Rengör produkten med en borste eller dammsugare före förvaring.
- Om du tar bort sågbladet eller har reservdelar till enheten ska du förvara dem i originalförpackningen för att hindra skador.

**För att säkra produkten före flyttning:**

- Produkten ska förvaras i nollgradig lutning på gering och fas och vara låst i det läget. Slåden ska låsas i läge. Handtaget ska låsas i nedre (säkra) läget med skydden stängda.
- En eller båda sidor av förlängningsstängerna kan tas bort för att underlätta bäring.

**Flytta eller transportera i fordon:**

- Säkra produkten före den flyttas så som beskrivs i bruksanvisningen.
- Ta bort produkten från bänken genom att lossa de fyra bultarna i hörnen. Säkra bultarna för framtida användning. Lyft produkten i handtaget högst upp.



- Vid lyft till höjd krävs två personer med grova arbetshandskar för att lyfta produktens bas.
- Vid transport i fordon ska produkten stå på sin bas och vara säkrad så den inte rör sig.

## MILJÖSKYDD



Råmaterialen ska återvinnas i stället för att kastas i hushållsavfallet. För att skona miljön ska verktyget, tillbehören och emballagen sorteras.

## SYMBOLER PÅ PRODUKTEN



Säkerhetsvarning



CE-överensstämmelse



EurAsian överensstämmelsesymbol



Ukrainskt märke för överensstämmelse



Läs instruktionerna ordentligt innan start av maskinen.



Bär hörselskydd.



Bär alltid ögonskydd.



Håll händerna borta från bladet och arbetsområdet.



Får inte utsättas för regn eller användas i fuktiga miljöer.



Använd skyddshandskar



Riktning av bladrotationen (visas på sågblad)



Bladets rotationsriktning (visas på bladskyddet)



Bladbredd vid skärning (sågsnitt)



Antal tänder på detta blad



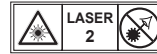
Skärkapacitet



För skärning av trä och analogt material



Inte avsedd för skärning av metall



Laserstrålning.  
Titta inte direkt mot strålen.  
Laserprodukt av Klass 2



Gamla elektroniska produkter ska inte kastas med hushållssoporna. Återvinn där sådana faciliteter finns. Kontrollera med din lokala myndighet eller säljaren för att få återvinningstips.

## SYMBOLER I MANUALEN



Lås



Lås upp



Låsmekanismen fungerar inte



Delar och utrustning säljs separat



Notera



Varning

Följande signalord och betydelser är tänkta att förklara de olika risknivåerna som är associerade med denna produkt.

### ⚠ FARA

Visar på en direkt riskfylld situation som, om den inte undviks, kan orsaka dödsfall eller allvarlig personskada.

### ⚠ VARNING

Visar på en potentiellt riskfylld situation som, om den inte undviks, kan orsaka dödsfall eller allvarlig personskada.

### ⚠ FÖRSIKTIGHET

Visar på en potentiellt riskfylld situation som, om den inte undviks, kan orsaka mindre eller måttlig personskada.

### FÖRSIKTIGHET

(Utan säkerhetssymbolen) Indikerar en situation som kan leda till egendomsskada.



Turvallisuus, tehokkuus ja käyttövarmuus ovat jirrisahamallimme tärkeimpiä ominaisuuksia.

## KÄYTTÖTARKOITUS

Jiirikatkaisusaha on tarkoitettu massiivipuun ja liimapuulevyjen, liimavaneria sisältävien tai sisältämättömien puunkaltaisten materiaalien sekä muovien sahaamiseen.

Laitteen käyttäjän on oltava aikuinen henkilö, joka on lukenut käyttöoppaan ja ymmärtää laitteen käyttöön liittyvät riskit.

Koneen jalusta on kiinnitettävä lujasti tukevan työpenkin päälle. Jos jalustaa ei ole kiinnitetty tiukasti, koko laite saattaa liikkua leikkaamisen aikana, mikä kasvattaa vakavan loukkaantumisen riskiä.

Saha on suunniteltu vino- ja viisteleikkauksiin. Erilaisten katkaisujen ominaisuudet on ilmoitettu tämän oppaan teknisissä tiedoissa.

Konetta tulee käyttää kuivissa, hyvin valaistuissa ja riittävästi ilmastoiduissa tiloissa.

Tuote on tarkoitettu yksityiskäyttöön, ja sitä saa käyttää vain yllä kuvatulla tavalla; sitä ei ole tarkoitettu mihinkään muuhun käyttöön.

## YLEISET SÄHKÖYÖKALUJEN TURVALLISUUSVAROITUKSET

### VAROITUS

**Lue tarkkaavaisesti kaikki tämän työkalun kanssa toimitetut varoitukset, ohjeet ja spesifikaatiot, ja katso lisäksi kuvat.** Seuraavassa esitettyjen ohjeiden laiminlyönnistä saattaa olla seurauksena onnettomuuksia kuten tulipalot, sähköiskut ja/tai vakavia kehon vammoja.

**Säästä kaikki varoitukset ja ohjeet tulevaa käyttöä varten.** Varoituksissa oleva termi "sähköyökalu" viittaa verkkokäyttöiseen (johdollisiin) sähköyökaluun tai akkukäyttöiseen (johdottomaan) sähköyökaluun.

## TYÖALUEEN TURVALLISUUS

- **Pidä työalue siistinä ja valoisana.** Epäjärjestyksessä olevat ja pimeät alueet myötävaikuttavat onnettomuuksiin.
- **Älä käytä sähköyökalua räjähdysalttiissa paikoissa, kuten helposti syttyvien nesteiden tai kaasujen tai pölyn läheisyydessä.** Sähköyökalut kipinöivät, mikä saattaa sytyttää pölyn tai höyryt.
- **Pidä lapset ja sivulliset loitolla, kun käytät sähköyökaluja.** Häiriöt voivat saada koneen riistäytymään hallinnasta.

## SÄHKÖTURVALLISUUS

- **Pistokkeen on sovittava pistorasiaan.** Älä koskaan muunna pistoketta millään tavalla. Älä käytä maadoitettujen sähköyökalujen kanssa minkäänlaisia sovittipistokkeita. Alkuperäiset pistokkeet ja niitä vastaavat pistorasiat pienentävät sähköiskun vaaraa.

- **Älä kosketa maadoitettuihin pintoihin, kuten putkiin, lämpöpattereihin, helioihin tai jääkaappeihin.** Jos ruumiisi on maadoitettu, sähköiskun vaara on suurempi.
- **Älä altista sähköyökalua sateelle tai kosteudelle.** Sähköyökaluun joutunut vesi kasvattaa sähköiskun vaaraa.
- **Pidä huolta sähköjohdosta.** Älä koskaan kannata vedä sähköyökalua johdosta tai irrota pistoketta johdosta vetämällä. Älä päästä johtoa koskettamaan kuumuuden lähteitä, öljyä, teräviä reunoja tai liikkuvia osia. Vioittunut tai takkuinen johto lisää sähköiskun vaaraa.
- **Kun käytät sähköyökalua ulkotiloissa, käytä ulkokäyttöön sopivaa jatkojohtoa.** Ulkokäyttöön sopivan johdon käyttö pienentää sähköiskun vaaraa.
- **Jos sähköyökalua on pakko käyttää kosteissa tiloissa, käytä jäännösvirtalaitteella (RCD) suojattua pistorasiaa.** RCD:n käyttö pienentää sähköiskun vaaraa.

## KÄYTTÄJÄN TURVALLISUUS

- **Ole valpas, katso mitä teet ja käytä maalaisjärkeä laitetta käyttäessäsi.** Älä käytä laitetta väsyneenä tai huumeiden, alkoholin tai lääkkeiden vaikutuksen alaisena. Tarkkaamattomuus sähköyökalua käytettäessä saattaa johtaa vakavaan loukkaantumiseen.
- **Käytä henkilökohtaisia suojavarusteita.** Käytä aina suojalaseja. Suojavälineiden, kuten hengityssuojaimen, liukumattomien turvakenkien, kypärän ja kuulosuojainten, käyttö vähentää henkilövahinkoja.
- **Älä anna koneen käynnistyä vahingossa.** Varmista, että kytkin on off-asennossa ennen kuin liität tuotteen sähköverkkoon ja/tai akkuun, nosta tai kuljetat sitä. Jos kannat konetyökalua sormi kytkimellä tai jos kytket sähköyökalun verkkoon kytkimen ollessa päällä, altistat itsesi onnettomuuksille.
- **Irrota säätöavaimet ja jakoavaimet ennen sähköyökalun käynnistystä.** Sähköyökalun pyöriivään osaan jätetty jako- tai säätöavain saattaa johtaa loukkaantumiseen.
- **Älä kurkota liian kauas.** Säilytä aina kunnollinen jalansija ja tasapaino. Tällöin sähköyökalua on helpompi hallita odottamattomissa tilanteissa.
- **Pukeudu asianmukaisesti.** Älä käytä väliji vaatteita tai koruja. Estä hiusten tai vaatteiden takertuminen liikkuviin osiin. Löysät vaatteet, korut ja pitkät hiukset saattavat tarttua liikkuviin osiin.
- **Jos laitteen toimitukseen kuului varustus pölyn poistamiseen tai keräämiseen, varmista, että se on sahaan liitettyä ja toimii oikein.** Pölyn kerääminen voi vähentää pölyyn liittyviä vaaroja.
- **Älä ole huolimaton ja laiminlyö turvaohjeita vain siksi, että olet käyttänyt usein ennenkin konetyökaluja.** Huolimattomuus voi aiheuttaa vakavan vamman sekunnin murto-osassa.





## SÄHKÖTYÖKALUN KÄYTTÖ JA HUOLTO

- **Älä pakota laitetta.** Käytä sovellukseesi sopiva a tuotetta. Asianmukainen tuote hoitaa työt paremmin ja turvallisemmin sillä vauhdilla, jota varten se on suunniteltu.
- **Älä käytä sähkötyökalua, jos se ei käynnisty ja sammuu katkaisimesta.** Jos sähkötyökalua ei voida hallita katkaisimella, se on vaarallinen ja vaatii korjaamista.
- **Irrota kosketin virtalähteestä ja/tai akkupaketti konetyökalusta aina ennen säätämistä, lisävarusteiden vaihtamista tai työkalun varastointista.** Tällaiset ennaltaehkäisevät turvallisuustoimenpiteet vähentävät vaaraa, että tuote käynnistyy vahingossa.
- **Varastoi sähkötyökalu pois lasten ulottuvilta äläkä anna kenenkään, joka ei tunne työkonetta tai näitä ohjeita, käyttää sitä.** Sähkötyökalut ovat vaarallisia kouluttamattomien käyttäjien käsissä.
- **Pidä konetyökalusi lisävarusteineen hyvässä kunnossa.** Tarkista, että liikkuvat osat on kohdistettu oikein ja että ne liikkuvat kunnolla, että osia ei ole rikkoutunut ja että mikään muu seikka ei häiritse laitteen toimintaa. Jos laite on vioittunut, vie se huoltoon ennen sen käyttöä. Monet onnettomuudet johtuvat huonosti huolletuista tuotteista.
- **Pidä leikkuuterät terävinä ja puhtaina.** Kun katkaisutyökalujen terät ovat terävät, ne eivät jumitu ja ohjaaminen on vaivatonta.
- **Käytä tuotetta, tarvikkeita, osia jne. näiden ohjeiden mukaisesti ja ottaen huomioon työskentelyolosuhteet ja tehtävä työ.** Sähkötyökalun käyttö muuhun kuin sille tarkoitettuun työhön voi aiheuttaa vaarallisia tilanteita.
- **Pidä kahvat ja tarttumispinnat kuivina ja puhtaina ja katso, etteivät ne tahriinno öljystä ja rasvasta.** Jos kahvat ja tarttumispinnat ovat liukkaita, työkalujen turvallinen käsittely ja kontrolli eivät ole hallinnassa yllätyttävissä tilanteissa.

## AKKUTYÖKALUN KÄYTTÖ JA KUNNOSSAPITO

- **Lataa vain valmistajan määrittelemällä laturilla.** Yhden tyyppiselle akulle sopivan laturin käyttö toisenlaisen akun kanssa voi olla vaarallista.
- **Käytä konetyökaluissa vain nimenomaan niille tarkoitettuja akkuyksiköitä.** Muiden akkujen käyttö voi aiheuttaa loukkaantumisen- ja tulipalovaaran.
- **Kun akkua ei käytetä, pidä se erillään metalliesineistä, kuten paperiliittimistä, kolikoista, avaimista, nauloista, ruuveista ja muista pienistä metalliesineistä, jotka voivat yhdistää akun navat.** Akun koskettaminen oikosulku yhdessä saattaa aiheuttaa palovammoja tai tulipalon.
- **Väärästä käytöstä johtuen akusta voi tulla ulos nestettä; vältä kosketusta.** Jos kosketat vahingossa, huuhtelee vedellä. Jos nestettä pääsee silmiin, hakeudu lisäksi lääkäriin. Akusta ulos tuleva neste voi aiheuttaa ärsytystä tai palovammoja.
- **Vaurioitunutta tai muunneltua akkua tai työkalua ei saa käyttää.** Vaurioituneet tai muunnellut akut voivat käyttäytyä odottamattomasti, josta saattaa seurata

tulipalo, räjähdys tai tapaturmariski.

- **Älä altista akkua tai työkalua tulelle tai liian korkealle lämpötilalle.** Tullelle tai yli 130 °C:n lämpötilalle altistaminen voi johtaa räjähdykseen.
- **Noudata latausohjeita äläkä lataa akkua tai työkalua muissa kuin ohjeissa määritellyissä lämpötilaolosuhteissa.** Virheellinen lataus tai määritellyistä poikkeavat lämpötilat saattavat johtaa akun vaurioitumiseen ja lisätä tulipalon vaaraa.

## HUOLTO

- **Huollata työkonetta pätevällä huoltomiehellä, joka käyttää ainoastaan asianmukaisia varaosia.** Tämä varmistaa, että sähkötyökalu on turvallinen.
- **Vaurioituneita akkuja ei koskaan saa huoltaa.** Akkuja saa huoltaa vain valmistaja tai valtuutettu huoltoliike.

## JIIRIKATKAISUSAHOJEN TURVALLISUUSOHJEET

- **Jiirikatkaisusahat on suunniteltu puun tai puunkaltaisen materiaalin leikkaamiseen, niillä ei voi käyttää hiomalaikkoja rautamateriaalin, kuten kiskojen, tankojen, niittien jne., katkaisuun.** Hiomapyly aiheuttaa liikkuvien osien, kuten alasuojuksen, jumiumutuksen. Hiomalaikalla katkaisusta syntyvät kipinät polttavat alasuojuksen, sahausrakoinserin ja muut muoviosat.
- **Kiinnitä työkalupale puristimilla aina kun mahdollista.** Jos tuet työkalupaletta kädellä, pidä käsi aina vähintään 100 mm:n päässä terän molemmista puolista. Älä yritä katkaista tällä sahalla kappaleita, jotka ovat liian pieniä turvallisesti paikallaan pideltäviksi. Tapaturmariski kasvaa, jos käsi on liian lähellä terää.
- **Työkappaleen on oltava paikalleen puristettuna tai painettuna sekä suojusta että pöytää vasten.** Älä syötä kappaleita terälle tai katkaise "vapaalla kädellä" missään olosuhteissa. Löysät tai liikkuvat työkalupaleet voivat sinkoutua suurella nopeudella ja aiheuttaa henkilövahingon.
- **Työnnä saha työkalupaleen läpi.** Älä vedä sahaa työkalupaleen läpi. Suorita katkaisu siten, että nostat sahan päätä ja vedät sitä ulospäin työkalupaleen yli, leikkaamatta, käynnistä moottori, paina sahan päätä alas päin ja työnnä saha työkalupaleen läpi. Katkaisu terää vetämällä voi saada terän nousemaan työkalupaleen päälle, jolloin teräkköönpano voi sinkoutua käyttäjää kohti.
- **Älä koskaan laita käsiäsi kaavailun katkaisulinjan ylle, ei terän eteen eikä taakse.** Työkappaleen paikallaan pitäminen siten, että käsi on terän yläpuolella, on hyvin vaarallista.
- **Älä vie kättä, roskien poistamiseksi tai mistä muusta syystä tahansa, suojuksen takana 100 mm lähemmäksi terää sen pyöriessä.** Välimatkaa pyöriästä terästä käteen voi olla vaikea hahmottaa tarkasti, jolloin tapaturman riski on suuri.
- **Tutki työkalupale tarkasti ennen katkaisua.** Jos työkalupale on taipunut tai vääntynyt, kiinnitä se siten, että taipunut ulkopuoli tulee suojusta vasten. Varmista aina, että työkalupaleen, suojuksen ja





pöydän väliin ei jää katkaisulinjan suuntaista rakoa. Taipuneet tai vääntyneet työkappaleet voivat kiertyä tai siirtyä ja jumiuttaa pyörivän terän. Työkappaleessa ei saa olla nauloja tai muita vierasesineitä.

- **Varmista ennen sahan käynnistämistä, että pöydällä ei ole roskaa eikä muita esineitä kuin työstettävä kappale.** Puunkappaleet ja muut pienet roskat saattavat pyörivään terään osuessaan sinkoutua suurella nopeudella.
- **Katkaise vain yksi työkappale kerrallaan.** Useita päällekkäin pinottuja työkappaleita ei voi asianmukaisesti puristaa tai tukea paikalleen ja ne saattavat jumiuttaa terän tai liikkua katkaisun aikana.
- **Varmista ennen sahan käyttämistä, että se on asennettu tai sijoitettu tasaiselle ja tukevalle alustalle.** Tasainen ja tukeva alusta pienentää riskiä sahan muuttumisesta epävakaaaksi.
- **Suunnittele työtehtävä hyvin. Aina kun muutat viiste- tai vinouskulman säätöjä, varmista, että säädettävä suojus on kunnolla paikallaan tukemassa työkappaletta ja että se ei häiritse terän tai suojajärjestelmän toimintaa.** Simuloi täydellinen katkaisu, kytkemättä virtaa ja ilman työkappaletta, sen varmistamiseksi, että suojus ei häiritse katkaisutoimintaa eikä aiheuta mitään siihen liittyvää vaaraa.
- **Järjestä asianmukainen tuki, esim. pöydän jatkeet, sahauspukit jne., työkappaleelle, joka on pöytälevyvä leveämpi tai pidempi.** Jiirikatkaisusahan pöytää pidemmät tai leveämmät työkappaleet saattavat kiepsahtaa, jos niitä ei ole kunnolla tuettu. Jos leikattu tai työstettävä kappale kiepsahtaa, se saattaa samalla nostaa alasuojusta tai singota pyörivän terän voimasta.
- **Älä käytä toista henkilöä korvaamaan pöydän jatketta tai tukemaan työstettävää kappaletta.** Työkappaleen epävakaa tuki saattaa jumiuttaa terän tai aiheuttaa leikattavan kappaleen liikkumisen, jonka seurauksena voit auttavan henkilön kanssa tempautua vaarallisen lähelle pyörivää terää.
- **Leikattua kappaletta ei missään tapauksessa saa painaa pyörivää terää vasten.** Liian ahtaasti, esim. pituusrajoittimilla, rajattu leikattu kappale saattaa kiillautua terää vasten ja sinkoutua suurella nopeudella.
- **Käytä aina puristinta tai pyöreän materiaalin, kuten tangon tai putken, tukemiseen suunniteltua kiinnitintä.** Tangot pyrkivät leikatessa pyörimään, jonka seurauksena terä "haukkaa" ja vetää pitelemääsi kappaletta itseään kohti.
- **Anna terän saavuttaa täysi pyörimisnopeus ennen kuin kosketat sillä työkappaletta.** Näin riski työkappaleen sinkoutumisesta pienenee.
- **Jos työkappale tai terä jumiutuu, katkaise sahasta virta. Odota kaikkien liikkuvien osien pysähtymistä ja irrota pistoke pistorasiasta ja/tai poista akku. Irrota sen jälkeen jumiutunut materiaali.** Sahaoksen jatkaminen jumiutuneella työkappaleella voi aiheuttaa työtehtävän kontrollin menetyksen tai vioittaa sahaa.
- **Ennen kuin poistat katkaistun kappaleen, vapauta kytkin, pidä sahan pää alhaalla ja odota terän pysähtymistä.** Käden vieminen liian lähelle virran poiskytkemisen jälkeen vielä liikkuvaa terää on vaarallista.

## PUUTERÄN TURVALLISUUSOHJEET

- Lue käyttöopas ja ohjeet huolellisesti ennen sahan käyttämistä.
- Sähkötyökalan on oltava hyvässä kunnossa ja karan on oltava suora ja täristämätön.
- Älä käytä sahaa ilman paikoilleen asennettuja suoja. Pidä suojukset hyvässä kunnossa ja huolla niitä asianmukaisesti.
- Varmista, että sahan käyttäjä on hyvin perillä käyttöä koskevista varotoimista sekä sahan säädöistä ja toiminnasta.
- Käytä sahalla työskennellessäsi aina suojalaseja ja kuulosuojaimia. Suojakäsineiden, turvallisten ja tukevapohjaisten kenkien, kuulosuojainten ja suojaesiliinan käyttöä suositellaan.
- Tutustu käyttöoppaaseen ennen lisälaitteiden käyttöä. Lisälaitteen väärä käyttötapa voi johtaa vahinkoon ja mahdolliseen henkilövammaan.
- Käytä ainoastaan tämän käyttöoppaan mukaisia teriä, jotka noudattavat EN 847-1 -standardia.
- Noudata terään merkittyä maksiminopeutta. Varmista, että sahanterään merkitty nopeus on vähintään yhtä suuri kuin sahaan merkitty nopeus.
- Käytä aina akselille sopivia teräkojoja ja -muotoja. Akselille sopimattomat terät eivät pyöri oikealla tavalla ja voivat aiheuttaa työkalun hallinnan menettämisen.
- Älä käytä suositeltua suurempia tai pienempiä teriä. Älä käytä välilevyjä sovittaessasi terää karaan.
- Aina ennen käytön alkamista tarkista, näkykö sahanterän kärjissä vaurioita tai epäsäännöllistä kuluneisuutta. Vaurioituneet ja löystyneet kärjet voivat sinkoutua hallitsemattomasti ympäristöön ja aiheuttaa henkilövammoja.
- Rikkinäisiä sahanteriä tai sellaisia, jotka ovat muuttaneet muotoaan ei saa käyttää! Älä käytä sahanteriä, jotka ovat vahingoittuneet tai vääntyneet.
- Hävitä sahanterä, joka on vaurioitunut, vääntynyt, kiero tai murtunut. Terän korjaaminen ei ole sallittua.
- Älä käytä pikateräksisiä teriä.
- Varmista, että terä on oikein kiinnitetty, kiristä karamutteri ennen käyttöä (kiristysmomentti n. 12-15 Nm).
- Kiinnitysruuvit ja -mutterit on kiristettävä asianmukaisella kiintoavaimella jne.
- Kiinnitystyökalan jatkaminen tai vasaran iskuilla tehty kiristys ei ole sallittua.
- Varmista, että terä ja laipat ovat puhtaat ja että holkin uralliset sivut ovat terää vasten.
- Tarkista, että terä pyörii oikeaan suuntaan.
- Tee ennen työn aloittamista koeleikkaus moottori päällä, jotta voit tarkistaa terän sijainnin ja suojien toiminnan laitteen osiin ja työkappaleeseen nähden.
- Älä koskaan jätä käynnissä olevaa sahaa valvomatta.
- Älä voitele terää sen pyöriessä.
- Älä koskaan puhdistaa tai huolla konetta sen käydessä ja pään ollessa poissa lepoasennosta.
- Älä koskaan yritä pysäyttää liikkuvaa laitetta nopeasti työntämällä työkalua tms. terää vasten; tämä voisi

|           |
|-----------|
| EN        |
| FR        |
| DE        |
| ES        |
| IT        |
| NL        |
| PT        |
| DA        |
| SV        |
| <b>FI</b> |
| RU        |
| NO        |
| PL        |
| CS        |
| RO        |
| HU        |
| LV        |
| LT        |
| ET        |
| HR        |
| SL        |
| SK        |
| BG        |
| UK        |
| TR        |
| EL        |



aiheuttaa vakavan onnettomuuden.

- Kytke saha irti verkkovirrasta ja irrota akku ennen terien vaihtamista tai huoltoa.
- Ole tarkkana pakatessasi terää ja ottaessasi sitä pakkauksesta; terän terävät kärjet aiheuttavat helposti loukkaantumisen.
- Käytä sahanterää käsitellessäsi telinettä tai käsineitä.
- Säilytä terää alkuperäisessä tai muussa sopivassa pakkauksessa, kuivassa ympäristössä ja kaukana kemikaaleista, jotka voisivat vioittaa terää.

## MITA TURVALLISUUSVAROITUKSIA

- Kiinnitä työkalu aina turvavarmuudella turvallisesti ja tiukasti.
- Varmista, että kone seisoo aina tukevasti paikallaan (esim. kiinnittämällä se ruuvipenkkiin).
- Käytä korvasuojia. Altistuminen melulle voi vahingoittaa kuuloa.
- Käytä sahalta työskennellessäsi aina suojalaseja. Suosittelemme, että käytät käsineitä käsitellessäsi teriä ja viimeistelemättömiä materiaaleja, sekä uusia lipsumattomia jalkineita suojaaksesi jalkasi työkaluista. Jos ne putoavat leikkualueelta.
- Kytke saha irti verkkovirrasta tai irrota akku ennen huolto- tai puhdistamistoimenpiteitä.
- Aseta akku paikallaan ainoastaan silloin, kun sahasta on virta pois kytketty.
- Älä koskaan kurota terän lähelle, ellei terä ole täysin pysähtynyt.
- Tarkista saha ja akku ennen käyttöä perusteellisesti vaurioiden ja materiaalien väsymisen varalta. Korjauksia sahaan ja sen osiin saa tehdä ainoastaan valtuutettu huoltopalvelu.
- Käytä sahassa aina suoja. Älä käytä sahaa, jos suojat eivät ole paikoillaan ja toimii oikein.
- Alemman teräsuojuksen tulee avautua ainoastaan terän ollessa laskettuna työkaluun, ja sen on aina voitava liikkua esteettä ja sulkeutua automaattisesti.
- Kiinnitä ja käytä katkaisun aikana työkaluun tukemiseen aina jatkopalkkeja.
- Älä tee muutoksia sahaan tai sen toimintaan. Turvallisuutesi saattaa vaarantua.
- Älä käytä lohkeilleita, vaurioituneita tai vääristyneitä sahanteriä.
- Ei saa käyttää pikateräksestä valmistettuja sahanteriä.
- Käytä vain teräviä teriä. Vaihda tylsät terät.
- Käytä aina akselille sopivia teräkokoja ja -muotoja. Akselille sopimattomat terät eivät pyöri oikealla tavalla ja voivat aiheuttaa työkalun hallinnan menettämisen.
- Käytä ainoastaan käyttöoppaassa mainittuja, standardin EN 847-1 mukaisia puun työstämiseen tarkoitettuja teriä.
- Älä käytä sahanterää kiinnittäessäsi muita laippoja, välilevyjä tai muttereita kuin niitä, jotka toimitettiin tuotteen mukana tai jotka on merkitty käyttöoppaaseen.
- Valitse sahattavalle materiaalle sopiva sahanteri. Älä leikkaa sahalta muita kuin tämän käyttöoppaan "tarkoitettu käyttö" -osiossa mainittuja materiaaleja.

- On tärkeää, että terä ei pääse käytön aikana ylikuumentumaan, sillä se voi sulattaa muoviosia.
- On tärkeää noudattaa terälle asetettua enimmäisnopeutta, käytä ainoastaan terää, johon on merkitty sama tai suurempi nopeus kuin työkalussa.
- Vaihda pöydän sisäke, kun se on kulunut tai vioittunut.
- Tee ennen työn aloittamista koeleikkaus moottorin päällä, jotta voit tarkistaa terän sijainnin ja suojele toiminnan laitteen osiin ja työkaluun nähden.
- Kun teet viisto- tai vinosahausta tai niiden yhdistelmää, säädä liu'utettava suojuus tai alasuojus siten, että terän liikkumisvara tulee oikein asetetuksi.
- Kahvan lukituksen on oltava päällä aina sahaa kuljetettaessa.
- Pidä lattia vapaana irrallisista materiaaleista, kuten lastuista ja leikkujätteistä.
- Älä poista sahausjätteitä tai muita työkaluun paloja sahausalueelta, kun kone käy eikä sahan pää ole leposäädössä.
- Pitkiä työstökappaleita tulee tukea sopivoin toimin. Sahan työalue käsittää työkaluun kokonaisuudessaan. Käyttäjän tulee suojata tämä alue henkilöiltä ja esineiltä, jotka saattavat liikkua työkaluun käytön aikana.
- Sahan käytön tuloksena syntyvä pöly voi olla terveydelle vaarallista. Käytä pölynimuria ja asianmukaista pölynäamaria. Poista kerääntynyt pöly huolella, esim. pölynimurilla.
- Älä vaihda laseria toisen tyyppiseen. Vain valmistaja tai valtuutettu huoltoliike saa korjata laitteen.
- Ympäristön lämpötila-alue työkalulle käytön aikana on 0 °C ja 40 °C välillä.
- Ympäristön lämpötila-alue työkalulle varastoinnin aikana on 0 °C ja 40 °C välillä.
- Suositeltu ympäristön lämpötila-alue latausjärjestelmän latauksen aikana on 10 °C ja 38 °C välillä.

## LITIUMAKKIJEN KULJETTAMINEN

Kuljeta akkua paikallisten ja kansallisten ehtojen ja säädösten mukaisesti.

Noudata kaikkia pakkaamista ja nimeämistä koskevia erikoissääntöjä, kun kolmas osapuoli kuljettaa akkuja. Varmista, että mikään akku ei kosketa muita akkuja tai johtavaa materiaalia kuljetuksen aikana suojaamalla paljasta navat eristävillä, johtamattomilla korkeilla tai teipillä. Älä kuljeta akkuja, jotka ovat halkeilleet tai vuotavat. Kysy välitysiyrytyksestä lisäneuvoja.

## LISÄÄ AKUN TURVALLISUUSVAROITUKSIA

### VAROITUS

Jotta vältetään lyhytsulun aiheuttama tulipalon, loukkaantumisen tai tuotteen vahingoittumisen vaara, älä koskaan upota työkalua, vaihtoakkuja tai latauslaitetta nesteeseen ja huolehdi siitä, ettei mitään nesteitä pääse tunkeutumaan laitteiden tai akkujen sisään. Syövyttävät tai sähköä johtavat nesteet, kuten suolavesi, tietyt kemikaalit ja liukaisuinneet tai valkaisuinneet sisältävät tuotteet voivat aiheuttaa lyhytsulun.

- Ympäristön lämpötila-alue akulle käytön aikana on 0 °C ja 40 °C välillä.
- Ympäristön lämpötila-alue akun varastoinnin aikana on 0 °C ja 20 °C välillä.

## LASERIN TURVALLISUUSOHJEET

- Sahan laserohjaimen säteily on luikkaa 2, enimmäisteho  $\leq 1$  mW ja aallonpituus 650 nm. Älä katso lasersädettä suoraan. Sääntöjen laiminlyönti voi johtaa vakavaan loukkaantumiseen.
- Älä katso sädettä käytön aikana.
- Älä suuntaa lasersädettä suoraan muiden silmiin. Tästä voisi koitua vakava silmävamma.
- Älä aseta laseria siten, että kukaan voisi katsoa lasersädettä tahallaan tai vahingossa.
- Älä katso lasersädettä optisilla laitteilla.
- Älä käytä laseria lasten lähellä äläkä anna lasten käyttää sitä.
- Älä yritä korjata laserlaitteita itse.
- Älä yritä vaihtaa mitään laserlaitteen osia itse.
- Korjaustyöt on aina jätettävä laserin valmistajan tai valtuutetun huoltomiehen tehtäväksi.
- Älä vaihda laseria toisen tyyppiseen.

## KÄYTÖN RISKIT

Vaikka tuotetta käytettäisiin ohjeiden mukaisesti, ei ole mahdollista täysin eliminoida tiettyjä käyttöön liittyviä riskitekijöitä. Käytössä voi aiheutua seuraavia vaaroja, ja käyttäjän tulee kiinnittää erityistä huomiota niiden välttämiseen:

- Pyörivän saheterän suojaamattomien osien kosketusvaara.
- Työkappaleen ja työkappaleen palasten takapotku virheellisen käsittelyn takia.
- Viallisten karbidikarkkien sinkoaminen sahanterästä.
- Hengitystievauriot.  
**HUOM:** Käytä suodattimella varustettua hengityssuojainta, joka sopii käsiteltävälle materiaalille Huolehdi työpaikalla riittävästä tuuletuksesta. Älä syö, juo tai tupakoi työalueella.
- Kuulovamma, jos ei käytetä tehokkaita kuulosuojaimia.

### VAROITUS

Erilaisista maaleista, pinnoitteista ja materiaaleista syntyvä pöly saattaa aiheuttaa ärsytystä tai allergisia reaktioita hengitysteissä. Esim. tammen, pyökin ja MDF:n puupöly on karsinogeenistä. Vain asiaan erikoistuneet työntekijät saavat käsitellä tai työstää asbestia sisältäviä materiaaleja.

### VAROITUS

Laitteen pitkittynyt käyttö voi aiheuttaa tai vaikeuttaa vammoja. Kun käytät mitä tahansa laitetta pitkiä aikoja, muista pitää säännöllisiä taukoja.

## TUNNE TUOTTEESI

*Katso sivu 215.*

- Kahva, eristetty tartuntapinta
- Virtakytkin
- Turvalukituskahva
- Ylempi teränsuojus
- Sahanterä
- Alempi teränsuojus
- Pääohjain
- Kääntöpöytä
- Pohja
- Pöydän lisäke
- Kääntöpöydän lukituskahva
- Tasausjalka
- Kiepsahtamisen estävä tanko
- Laserkytkin
- Kahva eristetyllä tartuntapinnalla
- Laippa
- Kiinnikkeen rajoitin
- Viistekulman lukitusvipu
- Puristin
- Liukuva ohjain
- Asennusreikä
- Jatkovarsi
- Pääsuojan lukitusruuvit
- Akselin lukintanappi
- Akku
- Pölypussi
- Leikkuusyvyyden säätönappi.
- Suurimman leikkuusyvyyden rajoitin
- Lineaarisen tangon rajoitusnappi
- Särmäkulman rajoittajan säätöruuvit
- Kuusioavain

## KÄYTTÖ

Tuotteessa on liukuva sahanterä, jonka käyttäjä voi säätää eri kulmiin leikatessaan työkappaleita, joka on kiinnitetty tukevasti tuotteen jalustaan. Laitetta saa käyttää vain yksi henkilö kerrallaan, jotta ei vahingossa kosketeta pyörivää sahanterää.

Tuotteen turvallisen käytön periaatteet ovat seuraavat:

- Pidä saha, terä ja työalue hyvässä kunnossa.
- Kiinnitä viistesahan jalusta tukevaan työpenkkiin. Tuote saattaa liikahtaa ja kaatua, jos sitä ei ole kiinnitetty asianmukaisesti.
- Säädä ja lukitse leikkuukulmat ja syvyys ennen leikkaamista.
- Kiinnitä työkappale viistesahan jalustaan. Käytä mukana toimitettua puristinta ja tarvittaessa lisäpuristimia tai -kiinnitysmekanismeja estääksesi työkappaleen tahattoman liikkeen leikattaessa.
  - Tarkista, että työkappaleen asento ei rajoita teränsuojusten toimintaa.
  - Varmista, että terä ei leikkaa ohjainta tai muita tuotteen osia laskeutuessaan leikkausasentoon.
- Käynnistä moottori ja anna terän saavuttaa täysi nopeus ennen kuin lasket sen hitaasti leikkaamaan työkappaleita. Liu'uta teräkokooppaanoa tarvittaessa taaksepäin katkaisun loppuunviemiseksi.
- Anna teräkokooppaanon nosta yläasentoon, missä

teränsuojukset ovat täysin kiinni. Sammuta moottori ja anna terän pysähtyä täysin, ennen kuin poistat työkalupaleen tai siitä irronneet palaset ja ennen kuin kurotat teräalueelle.

Varmista ennen ensi käyttöä, että tuotteen särmä- tai viistesarjan kulma vastaa kulmaa, joka halutaan tuottaa työkalupaleeseen. Tarkista tämä ylijäämäpuulla käyttäen kirvesmiehen työkaluja tai viistemittaa.

#### **VAROITUS**

Valmistaja suosittelee, että tuote asennetaan aina tukevasti pöytälevylle.

Kun laitteen alusta on kiinnitetty tukevasti työtasoon neljällä mutterilla, pultilla ja aluslevyllä ohjeiden mukaisesti, laitetta voidaan käyttää suurimmalla viesteasetuksella sen kaatumatta. Jos tuotetta ei ole kiinnitetty kunnolla, se saattaa kaatua kun valitaan suuria särmäkulmia.

Viistesahan alustan edessä on jatkovarsi, joka tulee vetää täysin auki. Tämä estää viistesahaa kaatumasta.

Kääntöpöydän pohjassa on myös säätöruuvi (tasausjalka). Tätä ruuvia tulee säätää siten, että se koskettaa tasapintaa, jolla tuote lepää. Lisäksi tämä estää tuotteen kaatumisen leikattaessa liu'un ja särmän maksimimitoilla. Ole varovainen; tämä sahapöydän osa liikkuu valittaessa erilaisia viistekulmia, joten ruuvia tulee säätää ja asettaa säännöllisesti.

#### **HUOLTO**

- Älä muuntele tuotetta millään tavoin tai käytä muita kuin valmistajan hyväksymiä lisävarusteita. Sinun ja muiden turvallisuus saattaa vaarantua.
- Älä käytä tuotetta, jos jokin kytkin, suojuus tai muu toiminto ei toimi tarkoitulla tavalla. Palauta se valtuutettuun huoltoon ammattilaisen korjattavaksi tai säädettäväksi.
- Älä tee mitään säätöjä sahanterän pyöriessä.
- Varmista aina ennen säätö-, voitelu- tai huoltotoimenpidettä, että akku on poistettu.
- Tarkista tuote vaurioiden ja rikkoutuneiden osien varalta ennen jokaista käyttökertaa ja niiden jälkeen. Pidä tuote huippukunnossa vaihtamalla osat välittömästi valmistajan hyväksymiin varaosiin.
- Terässä on terävät reunat, ja se voi myös olla kuuma leikkaamisen jälkeen. Ole erittäin varovainen, kun puhdistat esillä olevaa terää. Käytä käsineitä suojautuaksesi henkilövahingoilta.
- Puhdista saha ja sen lisävarusteet pölystä säännöllisesti, erityisesti liikkuvat osat, kuten teränsuojus. Käytä puhdistamiseen harjaa tai pölynimuria. Älä käytä paineilmaa.
- Jotta laite toimisi turvallisesti ja luotettavasti, kaikki korjaukset, mukaan lukien harjojen vaihto, tulee antaa valtuutetun huoltopisteen hoidettavaksi.

#### **VAROITUS**

Älä yritä purkaa teränsuojuskokoonpanoa puhdistamista tai korjausta varten. Vahingoittuneita teränsuojuksia ei saa käyttää. Vie korjausta tai vaihtamista vaativa saha valtuutettuun huoltoliikkeeseen.

#### **VAROITUS**

Jotta laite toimisi turvallisesti ja luotettavasti, kaikki korjaukset tulee antaa valtuutetun huoltopisteen hoidettavaksi.

#### **Jiiri- ja viistokulman kalibrointi**

Jos jiiri- ja viistokulman kalibrointi tarvitaan, ks. sivut 236–242 ja noudata kalibrointiohjeita.

#### **Suurimman leikkuusyvyyden rajoitin**

Suurimman leikkuusyvyyden rajoittimen tarkoitus on estää sahanterää leikkaamasta laitteen metallialustaa.

#### **VAROITUS**

Käyttäjä ei voi säätää suurimman leikkuusyvyyden rajoitinta. Älä säädä suurimman leikkuusyvyyden rajoitinta.

#### **KULJETUS JA SÄILYTYS**

- Poista akku varastoinnin ajaksi. Säilytä tuotetta turvallisessa paikassa, johon lapset eivät pääse.
- Puhdista tuote harjalla tai pölynimurilla ennen tuotteen varastoinnista.
- Jos irrotat sahanterän tai säilytät varateriä tuotteen lähellä, säilytä ne alkuperäisessä pakkauksessaan estääksesi loukkaantumiset.

#### **Tuotteen kiinnittäminen ennen siirtämistä:**

- Tuotetta varastoitaessa viiste- ja särmäkulman tulee olla lukittuna nolla-asentoon. Liuku tulee lukita. Kahvan tulee olla lukittu ala-asentoon (turvalliseen asentoon) ja suojiin olla suljettu.
- Siirtämisen helpottamiseksi toinen, tai molemmat, jatkopalkkeista voidaan irrottaa.

#### **Siirto tai kuljetus ajoneuvossa:**

- Kiinnitä tuote ennen siirtämistä oppaan ohjeiden mukaisesti.
- Irrota tuote pöytälevystä irrottamalla 4 pulttia, yksi kustakin kulmasta. Pidä pultit tallessa tulevaa käyttöä varten. Nosta tuotetta sen päällä olevasta kahvasta.
- Tuotteen jalustan nostamiseen vaaditaan kaksi henkilöä, joilla on paksut työkaluseinät.
- Kun tuotetta kuljetetaan ajoneuvossa, laita se jalustalleen ja kiinnitä se siten, että se ei pääse liikkumaan.



## YMPÄRISTÖNSUOJELU



Älä hävitä raaka-aineita jätteinä vaan vie ne kierrätykseen. Ympäristönsuojelun kannalta työkalu, lisäva r usteet ja pakkausmateriaali on lajiteltava.

## TUOTTEESSA OLEVAT SYMBOLIT



Turvallisuusvaroitus



Todistus CE-sääntöjen noudattamisesta



EurAsian-vaatimustenmukaisuusmerkki



Ukrainalainen säädöstenmukaisuusmerkintä



Lue ohjeet huolellisesti ennen laitteen käynnistämistä.



Käytä kuulosuojaimia



Käytä aina suojalaseja.



Älä kosketa leikkuualuetta tai terää.



Älä jätä sateeseen tai kosteaan paikkaan.



Käytä suojakäsineitä



Terän pyörimissuunta (merkitty terään)



Terän pyörimissuunta (merkitty teränsuojukseen)



Terän leikkuuleveys (sahausrako)



Tämän sahanterän hampaiden lukumäärä



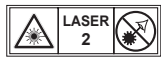
Leikkuukapasiteetti



Puun ja vastaavan materiaalin leikkaamiseen



Ei metallien leikkaamiseen



Laser-säteilyä.  
Älä katso sädettä.  
2. luokan laser-tuote



Käytöstä poistettavia sähkölaitteita ei pidä hävittää talousjätteiden mukana. Ne on mahdollisuuksien mukaan pantava kiertoon. Kierrätysohjeita antavat kunnan viranomaiset ja vähittäiskauppiat.

## KÄSIKIRJAN SYMBOLIT



Lukko



Avaa



Lukitusmekanismi ei toimi



Osat ja lisävarusteet on hankittava erikseen



Huom



Varoitus

Seuraavat signaalisanat ja merkitykset on tarkoitettu selittämään tähän tuotteeseen liittyviä riskin tasoja.

### ⚠ VAARA

Ilmoittaa välittömästä vaaratilanteesta, joka saattaa aiheuttaa kuoleman tai vakavan vamman.

### ⚠ VAROITUS

Ilmoittaa mahdollisesta vaaratilanteesta, joka saattaa aiheuttaa kuoleman tai vakavan vamman.

### ⚠ VAROITUS

Ilmoittaa mahdollisesta vaaratilanteesta, joka saattaa aiheuttaa pienen tai kohtalaisen vamman.

### VAROITUS

(Ilman varoitusmerkkiä) Tilanne, joka voi aiheuttaa materiaalista vahinkoa.

Sikkerhet, ytelse og pålitelighet hadde topp prioritet under utformingen av denne gjærsagen.

### TILTENKT BRUK

Gjærsagen er beregnet på saging av hel- og limtre, trelignende materialer (med eller uten limet ferniss) og plast.

Produktet skal bare brukes av voksne operatører som har lest instruksjonshåndboken, og som forstår risikoene og farene.

Produktet er designet for å festes på bases til en solid benkeplate. Hvis fundamentet ikke er forsvarlig festet vil hele sagbordet kunne bevege seg under saging, noe som øker muligheten for alvorlig personskade.

Sagen er beregnet på skrå- og gjæringskutt. Størrelsen på de forskjellige kuttene er gitt i produktspesifikasjonene i denne håndboken.

Produktet må brukes i tørre forhold, med god belysning og god ventilasjon.

Produktet er kun ment brukt av vanlige forbrukere og skal bare brukes som beskrevet ovenfor og ikke for noe annet bruk.

### GENERELLE SIKKERHETSADVARSLER FOR ELEKTRISK VERKTØY

#### ⚠ ADVARSEL

Les nøye gjennom alle advarslene, instruksene og spesifikasjonene som følger med verktøyet, og se på tegningene. Hvis forskriftene nedenfor ikke overholdes, kan det forårsake ulykker som brann, elektrisk støt og/eller alvorlige personskader.

Ta vare på alle advarsler og anvisninger for senere bruk. Betegnelsen "elektroverktøy" i advarslene refererer til strømledningsdrevet elektroverktøy eller batteridrevet (trådløs) elektroverktøy.

### SIKKERHET PÅ ARBEIDSMRÅDET

- **Hold arbeidsområdet rent, ryddig og godt opplyst.** Uryddige og dårlig opplyste områder fører lett til ulykker.
- **Ikke bruk elektrisk verktøy i eksplosive atmosfærer, hvor det finnes brennbare væsker, gasser eller støv.** Elektrisk verktøy skaper gnister som kan antenne støv eller gasser.
- **Hold barn og andre på avstand når et elektrisk verktøy brukes.** Distrasjon kan føre til tap av kontroll.

### ELEKTRISK SIKKERHET

- **Støpslet på det elektriske verktøyet må stemme med stikkkontakten. Foreta aldri noen form for endringer av støpslet. Ikke bruk noen form for adapterstøpsel til jordet elektrisk verktøy.** Umodifiserte støpsler og tilpassede stikkontakter vil redusere risikoen for elektrisk støt.
- **Unngå kroppskontakt med jordede overflater som vannrør, radiatorer, kokeapparater og kjøleaggregater.** Det er økt risiko for elektrisk støt dersom kroppen din har kontakt med jord.

- **Ikke utsett elektrisk verktøy for regn eller høy fuktighet.** Vann som trenger inn i et elektrisk verktøy vil øke faren for elektrisk støt.
- **Ikke misbruk den elektriske ledningen. Bruk aldri ledningen til å bære det elektriske verktøyet eller trekke støpslet ut av stikkkontakten. Hold ledningen vekk fra varme, olje, skarpe kanter eller bevegelige deler.** Skadet eller sammenfloknet ledning øker risikoen for elektrisk støt.
- **Når du bruker det elektriske verktøyet utendørs, bruk en skjeteledning som er tilpasset utendørs bruk.** Bruk av ledning som er tilpasset utendørs bruk reduserer risikoen for elektrisk støt.
- **Dersom bruk av elektrisk verktøy i fuktige omgivelser ikke er til å unngå, bruk en strømkrets med restspenningsbeskyttelse (RCD) som er tilpasset verktøyet.** Bruk av strømkrets med sikring reduserer risikoen for elektrisk støt.

### PERSONLIG SIKKERHET

- **Vær årvåken, følg med på det du gjør og bruk fornuft når du benytter et verktøy. Ikke bruk verktøyet når du er sliten eller under påvirkning av alkohol, narkotiske stoffer eller medisiner som kan påvirke din reaksjonsevne og/eller dømmekraft.** Et øyeblikks uoppmerksomhet mens elektrisk eller luftdrevet verktøy brukes kan føre til alvorlige personskader.
- **Bruk Personlig verneutstyr. Bruk alltid øyebeskyttelse.** Verneutstyr som støvmaske, sklisikre vernesko, hjelm og hørselsvern som brukes ved behov, vil redusere personskader.
- **Unngå utilsiktet start. Pass på at limpistolen er slått av før du kobler den til en strømkilde eller en batteripakke, tar den opp eller bærer den.** Ikke bær elektroverktøy med fingeren på bryteren eller mens verktøyet er slått på, da dette kan føre til ulykke.
- **Fjern justeringsnøkler og annet verktøy før du setter strøm på det elektriske verktøyet.** En fastnøkkel eller annet verktøy festet til en roterende del av et elektrisk verktøy når det startes kan føre til personskade.
- **Ikke len deg for langt frem. Sørg for godt fotfeste og god balanse til enhver tid.** Dette gir bedre kontroll over det elektriske verktøyet i en uventet situasjon.
- **Kle deg riktig. Ikke bruk løstsittende plagg og/eller løsthengende smykker. Hold hår og klær unna bevegelige deler.** Løse plagg, smykker og langt hår kan fanges opp av bevegelige deler.
- **Hvis utstyr gir mulighet for tilkobling av uttrekk og oppsamling av støv, må du forsikre deg om at de er tilkoblet og riktig brukt.** Bruk av utstyr for oppsamling av støv kan redusere faren forbundet med støv.
- **Ikke la hyppig bruk av verktøyet føre til at du blir uvøren og ikke tar hensyn til sikkerhetsprinsipper.** En uforsiktig handling kan forårsake alvorlig skade på et øyeblikk.

### ELEKTRISK VERKTØY - BRUK OG STELL

- **Ikke press verktøyet. Bruk korrekt verktøy for jobben som skal gjøres.** Riktig elektrisk verktøy vil gjøre jobben bedre og tryggere når det brukes slik det var tiltenkt.



- **Ikke bruk verktøyet hvis bryteren ikke slår verktøyet av og på.** Ethvert elektrisk verktøy som ikke kan kontrolleres med bryteren er farlig og må repareres før det kan brukes.
- **Før du gjør justeringer på elektroverktøy, bytter tilbehør eller setter verktøyet bort, må du trekke pluggen ut av strømkilden eller fjerne batteriet hvis dette lar seg gjøre.** Slike forholdsregler reduserer risikoen for å starte limpistolen ved et uhell.
- **Oppbevar elektrisk verktøy som ikke brukes utenfor barns rekkevidde og la ikke personer som ikke er kjent med det elektriske verktøyet eller dets instruksjoner bruke det.** Elektrisk verktøy er farlig i hendene på uerfarne brukere.
- **Sørg for at elektroverktøy og tilbehør alltid er i god stand.** Kontroller for feilinnretting, at bevegelige deler løper fritt og andre forhold som kan påvirke verktøyets drift. Dersom det er skadet må produktet repareres før bruk. Mange ulykker skyldes dårlig vedlikeholdt verktøy.
- **Sørg for at skjæreverktøy alltid er skarpe og rene.** Sørg for at eggene på skjæreverktøy alltid er skarpe. Dette gir mindre risiko for at verktøyet sette seg fast, og gjør det lettere å styre verktøyet.
- **Bruk limpistolen, tilbehør, verktøybits osv. i samsvar med disse anvisningene, og ta hensyn til arbeidsforholdene og arbeidet som skal utføres.** Bruk av elektrisk verktøy på en måte det ikke var tiltenkt kan skape farlige situasjoner.
- **Hold håndtakene og gripeflatene tørre, rene og fri for olje og fett.** Hvis håndtakene og gripeflatene er glatte, fører det til mindre sikker håndtering og styring av verktøyet i uventede situasjoner.

## BRUK OG VEDLIKEHOLD AV BATTERIET

- **Lad bare batteriet med en batterilader som er spesifisert av produsenten.** En lader som passer til en type batteri kan skape risiko for brann dersom den brukes til en annen type batteri.
- **Elektroverktøy må bare brukes med batterier som er spesielt beregnet til dem.** Bruk av andre batterier kan medføre risiko for skade og brann.
- **Når batteripakken ikke er i bruk må den holdes vekk fra metallgjenstander som binders, mynter, nøkler, spiker, skruer og andre små metallgjenstander som kan forbinde terminalene med hverandre.** Ikke kortslutt batteripolene, da dette kan føre til brann.
- **Under vanskelige forhold kan det unnslipe væske fra batteriet.** Unngå i tilfelle kontakt. Skyll med vann hvis du vel et uhell kommer i kontakt. Søk i tillegg medisinsk hjelp hvis du får væske i øynene. Væske som unnslipper fra batteriet, kan forårsake irrasjon eller brannskade.
- **Ikke bruk et batteri eller en sag som er skadet eller endret, da dette kan føre til at de vil oppføre seg uforutsigbart.** Dette kan føre til brann, eksplosjon eller personskade.
- **Ikke utsett batteriet eller verktøyet for ild eller høy temperatur.** Eksponering for brann eller temperaturer over 130 °C kan føre til eksplosjon.

- **Alle ladeinstruksjoner må følges.** Ikke lad batteriet eller verktøyet hvis omgivelsestemperaturen er utenfor området som er angitt i bruksanvisningen. Feil lading eller lading ved temperaturer utenfor det angitte området kan ødelegge batteriet og øke risikoen for brann.

## SERVICE

- **Sørg for at reparasjoner og vedlikehold av ditt elektriske verktøy utføres av kvalifiserte teknikere som kun bruker originale reservedeler.** Dette vil sørge for at sikkerheten med verktøyet ivaretas.
- **Ikke prøv å reparere batteriet hvis det er skadet.** Batteriet må bare repareres av produsenten eller en autorisert tjenesteleverandør.

## SIKKERHETSINSTRUKSJONER FOR GJÆRSAGER

- **Gjærsager er beregnet på saging i trevirke eller trelignende produkter. De kan ikke brukes med slipende kappenhjul for å sage i jernholdige materialer som stolper, stenger, nagler osv.** Gnister som dannes under saging av metall, vil svi den nedre beskyttelsen, snittinnsatsen og andre plastdeler.
- **Bruk klemmer for å feste emne dersom mulig.** Hvis du støtter arbeidsstykket med hånden, må du alltid holde hånden minst 100 mm unna hver side av sagbladet. Ikke bruk sagen til å sage i arbeidsstykker hvis stykkene er for små til at de kan spennes fast eller holdes fast med hånden. Hvis du har hånden for nært sagbladet, er risikoen stor for at du kommer borti sagbladet og skader deg.
- **Arbeidsstykket må være stasjonært og fastspent eller holdes mot både støtten og bordet.** Ikke skyv arbeidsstykket inn mot sagbladet eller sag for frihånd på noen måte. Hvis arbeidsstykket er i bevegelse eller ikke er spent fast, kan det bli kastet med høy hastighet og forårsake skade.
- **Skyv sagen gjennom arbeidsstykket.** Ikke trekk sagen gjennom arbeidsstykket. For å lage et kutt løfter du saghodet og trekker det ut over arbeidsstykket uten å sage. Start motoren, trykk saghodet ned, og skyv sagen gjennom arbeidsstykket. Hvis du sager på tilbakevekk, risikerer du at sagbladet klatrer opp av arbeidsstykket, og at bladet med monteringsenhet kastes mot operatøren.
- **Før aldri hånden over den tiltenkte sagelinjen, hverken foran eller bak sagbladet.** Det er svært farlig å støtte arbeidsstykket «krysshendt», det vil si at du holder arbeidsstykket til høyre for sagbladet med venstre hånd eller omvendt.
- **Mens bladet roterer, må du ikke strekke noen av hendene bak gjerdet nærmere enn 10 cm fra noen av sidene på sagbladet for å fjerne trebiter eller av andre grunner.** Det er ikke uten videre tydelig hvor nært det roterende sagbladet hånden er, slik at du kan bli alvorlig skadet.
- **Kontroller arbeidsstykket visuelt før saging.** Hvis arbeidsstykket er bøyd eller vridd, må du klemme det med overflaten som er bøyd utover, mot gjerdet. Pass alltid på at det ikke er noe mellomrom mellom





**arbeidsstykket, gjerdet og bordet langs sagelinjen.** Hvis arbeidsstykket er bøyd eller vridd, kan det vri eller bevege på seg og dermed føre til at sagbladet binder mens du sager. Arbeidsstykket må være fritt for nagler og andre fremmedlegemer.

- **Ikke bruk sagen før bordet er ryddet for verktøy, trebiter osv., bortsett fra selve arbeidsstykket.** Små rester, løse trebiter og andre gjenstander som kommer i kontakt med det roterende bladet, kan bli kastet med stor fart.
- **Sag bare i ett arbeidsstykke om gangen.** Hvis flere arbeidsstykker stables, er det ikke mulig å spenne dem tilstrekkelig godt fast. Dette kan føre til at bladet binder eller flytter utilsiktet på seg under sagingen.
- **Sørg for at gjærsgen er montert eller plassert på en plan, fast arbeidsflate før bruk.** En jevn og fast arbeidsflate reduserer risikoen for at gjærsgen blir ustabil.
- **Planlegg arbeidet.** Hver gang du endrer vinkelinnstillingen for skråkanten eller gjærsgen, må du passe på at det justerbare gjerdet er plassert slik at det gir god støtte til arbeidsstykket og ikke kommer i veien for bladet eller vaktssystemet. Før du slår på sagen og plasserer arbeidsstykket på bordet, kjører du sagbladet gjennom et fullstendig simulert kutt for å sikre at ikke noe kommer i veien, og at det ikke er noen fare for å sage i gjerdet.
- **Sørg for tilstrekkelig støtte i form av bordforlengere, sagbukker og liknende for arbeidsstykker som er bredere eller lengre enn bordplaten.** Arbeidsstykker som er lengre eller bredere enn bordet for gjærsgen, kan tippe over hvis det ikke støttes sikkert. Hvis det avsagede stykket eller arbeidsstykket tipper over, kan det løfte den nedre vekten eller bli kastet av det roterende bladet.
- **Ikke bruk en annen person i stedet for en bordforlengelse eller som ekstra støtte.** Hvis arbeidsstykket støttes opp med en ustabil støtte, kan det føre til at bladet binder, eller at arbeidsstykket flytter på seg under sagingen. Dette kan føre til at du og hjelperen din blir dratt inn i det roterende bladet.
- **Det avsagede stykket må ikke kjøres fast eller presses på noen måte mot sagbladet mens det roterer.** Hvis stykket møter hindringer, for eksempel i form av lengdestopper, kan det bli klemt mot bladet og bli kastet med voldsom kraft.
- **Bruk alltid en klemme eller en festeanordning som er beregnet på å gi skikkelig støtte til runde gjenstander som stenger eller rør.** Stenger kan lett rulle mens de blir saget og kan dermed få bladet til å «bite» og trekke arbeidsstykket og hånden din inn i bladet.
- **La bladet oppnå full fart før du fører det mot arbeidsstykket.** Dette reduserer risikoen for at arbeidsstykket kastes.
- **Slå av gjærsgen hvis arbeidsstykket eller bladet kjører seg fast.** Vent til alle bevegelige deler har stoppet, og trekk ut støpselet fra strømkilden eller fjern batteriet. Deretter kan du forsøke å få løs det fastkjørte objektet. Hvis du sager mens arbeidsstykket sitter fast, kan du miste kontrollen eller

skade gjærsgen.

- **Etter at du er ferdig med kuttet, slipper du bryteren, holder saghodet nede og venter på at bladet stopper før du fjerner det avsagede stykket.** Det er farlig å strekke hånden ut i nærheten av bladet mens det kjører.

## SIKKERHETSANVISNINGER FOR TREKUTTEBLADER

- Les bruksanvisningen og instruksjonene nøye før du bruker sagbladet og produktet.
- Elektroverktøyet må være i god stand, og spindelen må være uten deformasjoner eller vibrasjoner.
- Sagen må bare brukes når vaktene er på plass. Hold beskyttelsen i god stand og vedlikehold regelmessig.
- Sørg for at operatøren har fått tilstrekkelig opplært i forholdsregler, justeringer og drift av elektroverktøyet.
- Bruk alltid vernebriller og hørselvern når du bruker verktøyet. Det anbefales å bruke arbeidshansker, faste og sklisikre sko og forkle.
- Før det benyttes noen form for tilbehør, se brukermanualen. Feil bruk av tilbehør kan føre til skader og øke risikoen for personskade.
- Bruk bare sagblader som er spesifisert i denne manualen og er i henhold til EN 847-1.
- Observer maksimumshastigheten som er angitt på sagbladet. Påse at hastigheten som er merket av på sagbladet er minst lik hastigheten merket av på selve sagen.
- Bruk alltid et blad som har en størrelse og en form som passer til spindelens diameter. Et blad som ikke passer til spindelen som det skal monteres på vil ikke gå rundt riktig og kan få deg til å miste kontroll over verktøyet.
- Ikke bruk blader med større eller mindre diameter enn anbefalt. Ikke bruk avstandsstykker for å få bladet til å passe på spindelen.
- Kontroller at tuppene på sagbladet ikke er skadet eller ser unormale ut før hver bruk. Tupper som er skadet eller sitter løst, kan løsne og fly gjennom luften, med økt risiko for personskade.
- Sagblad som har sprekker eller som har endret form må ikke brukes! Ikke bruk sageblader som er skadet eller deformerte.
- Kast sagbladet hvis det er skadet, deformert, forvridt eller har sprekker. Det skal ikke repareres.
- Ikke bruk HSS-blader.
- Pass på at sagbladet er riktig montert, og stram akselmutteren godt til før bruk (tiltrekkingsmoment på 12 til 15 Nm).
- Festeskruen og mutterne må strammes til med korrekt skiffenøkkel osv.
- Det er ikke tillatt å bruke forlenger til skiffenøkkel eller stramme til ved hjelp av hammer.
- Påse at bladet og flensene er rene og at de ferskede sidene av kragen er mot sagbladet.
- Påse at sagbladet roterer i korrekt retning.
- Før du starter arbeidet, gjør et liksomkutt uten at motoren er på for å se at bladet er posisjonert riktig,





beskyttelsene er på i forhold til andre maskindeler og sjekk også selve emne.

- La aldri sagen gå uten tilsyn.
- Ikke påfør smøremidler på sagbladet mens det er i bevegelse.
- Foreta aldri rengjøring eller vedlikehold på sagen mens sagbladet fortsatt er i bevegelse og hodet ikke er i hvileposisjon.
- Gjør aldri forsøk på å stanse en bevegelse brått ved å sette et verktøy eller annen gjenstand mot sagbladet, alvorlige skader kan oppstå som følge av dette.
- Koble strømforsyningen eller batteriet fra sagen før du skifter blad eller utfører vedlikehold.
- Vær oppmerksom på inn- og utpakking av bladene, det er lett å kutte seg på de skarpe bladtuppene.
- Bruk en bladholder eller vernehansker når du skal håndtere sagbladet.
- Bladene oppbevares og lagres i originalforpakningen eller en annen passende beholder. Bladene skal stå tørt og unna kjemiske stoffer som kan skade bladet.

### SPESIELLE SIKKERHETSADVARSLER

- Sørg for at arbeidsstykket alltid er forsvarlig festet.
- Kontroller at maskinen alltid står stabilt (f. eks at den er festet på arbeidsbenken).
- Bruk hørselsvern. Støy kan føre til tap av hørselen.
- Bruk alltid vernebriller når du bruker produktet. Det anbefales å bruke hansker når sagbladet eller grove materialer berøres, pluss solide glisikre vernesko for å beskytte føttene fra arbeidsstykker som kan falle ned fra kappeområdet.
- Koble strømforsyningen eller fjern batteriet fra sagen før du utfører vedlikehold eller rengjør sagen.
- Batteriet må bare kobles til når sagen er slått av.
- Strekk aldri hender eller armer inn i området i nærheten av bladet dersom ikke sagbladet står helt stille.
- Før bruk må sagen og batteriet kontrolleres grundig med tanke på eventuelle skader eller materialtretthet. Sagen under ett skal bare repareres av et autorisert serviceverksted.
- Bruk alltid vaktene på produktet. Ikke bruk sagen hvis vaktene ikke er på plass eller ikke fungerer riktig.
- Nedre bladvern skal kun åpnes når bladet er senket ned på arbeidsstykket og må alltid være i stand til å beveges fritt og lukkes automatisk.
- Fest og bruk alltid forlengelsesstenger for støtte av arbeidsstykket under drift.
- Ikke endre eller modifier sagen eller dens funksjon. Din sikkerhet vil kunne påvirkes negativt.
- Ikke bruk sagblad som er sprukket, skadet eller deformert.
- Bruk ingen sageblad laget av hurtigstål.
- Bruk bare sagblader som er skarpe. Erstatt sløve sagblader.
- Bruk alltid et blad som har en størrelse og en form som passer til spindelens diameter. Et blad som ikke passer til spindelen som det skal monteres på vil ikke gå rundt

riktig og kan få deg til å miste kontroll over verktøyet.

- Bruk bare sagblader for trearbeid som er angitt i denne håndboken, og som overholder EN 847-1.
- Ikke bruk flensker, skiver eller muttere for å sikre sagbladet ut over de som fulgte med produktet eller som vises i brukermanualen.
- Bruk sagblad som er egnet for materialet som skal sages. Ikke bruk sagen til å kappe andre materialer enn dem som er angitt i delen om tiltenkt bruk i denne håndboken.
- Under saging er det viktig å unngå at bladet overopphetes, eller at plast smelter.
- Det er viktig å overholde den maksimale farten som er spesifisert på sagbladet. Bruk bare sagblad som er merket med en fart som er lik eller høyere enn farten som er angitt på sagen.
- Erstatt bordinnlegget når det er slitt eller skadet.
- Før du starter arbeidet, gjør et liksomkutt uten at motoren er på for å se at bladet er posisjonert riktig, beskyttelsene er på i forhold til andre maskindeler og sjekk også selve emne.
- Når du utfører gjærings-, skråkant- eller sammensatte gjæringskutt, må du justere det bevegelige gjerdet eller undergjerdet for å sikre riktig klaring fra bladet.
- Låsen på håndtaket må alltid være på når sagen transporteres.
- Hold gulvet fritt for materialrester, som avsgde biter og spon.
- Ikke fjern sagerester eller andre deler av arbeidsstykker fra sagens område mens maskinen går og sageshode ikke befinner seg i hvilestilling.
- Langt materiale skal støttet på egnet måte. Arbeidsområdet for sagen inkluderer også hele omfanget av arbeidsstykket. Operatøren må sørge for at andre personer eller gjenstander ikke kan komme i kontakt med dette området, som kan bevege arbeidsstykket under drift.
- Støvet som produseres under bruk av sagen, kan være helseskadelig. Bruk et støvavtrekk og ta på deg en passende støvmaske. Fjern støv grundig, det vil for eksempel si med en støvsuger.
- Ikke skift ut laseren med en annen type. Eventuelle reparasjoner må bare utføres av produsenten eller en autorisert serviceagent.
- En passende temperatur for verktøyet når det brukes er mellom 0°C og 40°C.
- En passende temperatur for lagring av verktøyet er mellom 0°C og 40°C.
- En passende temperatur når systemet opplades er mellom 10°C og 38°C.

### TRANSPORTERE LITUM-BATTERIER

Transporter batteriet i samsvar med lokale og nasjonale forskrifter og bestemmelser.

Følg alle spesielle krav når det gjelder pakking og merking når tredje part skal transportere batteriene. Pass på at batteriene ikke kan komme i kontakt med andre batterier eller ledende materialer når de transporteres ved at du beskytter åpne koblinger med isolerende, ikkeledende



hetter eller tape. Ikke transportert batterier som har sprekker eller lekket. Sjekk med transportfirmaet for ytterligere råd.

### EKSTRA ADVARSLER FOR BATTERISIKKERHET

#### ⚠ ADVARSEL

For å unngå fare for en brann forårsaket av en kortslutning, av personskader eller skader av produktet, må det forhindres at batteripakken eller laderen dryppes i væsker og også sørges for at ingen væsker kan komme inn i apparatene eller batteriene. Korroderende og ledende væsker som saltvann, visse kjemikalier og blekemidler eller produkt som inneholder blekemidler kan forårsake en kortslutning.

- En passende batteritemperatur når verktøyet brukes er mellom 0°C og 40°C.
- En passende lagringstemperatur for batteriet er mellom 0°C og 20°C.

### LASERSIKKERHET

- Laserstrålen som brukes i sagen er Class 2, med maksimum  $\leq 1\text{mW}$  og 650 nm bølgelengde. Ikke stirr direkte inn i laserstrålen. Å unnlate å følge reglene vil kunne føre til alvorlig personskade.
- Ikke se inn i laserstrålen under arbeid.
- Ikke rett laserstrålen direkte inn i øynene på andre. Alvorlig øyeskade kan oppstå som resultat.
- Ikke plasser laseren i en posisjon som kan føre til at noen bevisst eller ubevisst vil kunne stirre direkte inn i laserstrålen.
- Ikke bruk optisk verktøy for å se laserstrålen.
- Ikke bruk laseren når det er barn til stede eller la barn få bruke laseren.
- Ikke gjør forsøk på å reparere laserutstyret selv.
- Ikke gjør forsøk på å skifte noen del av laserutstyret selv.
- Enhver reparasjon må bare utføres av laserprodusenten eller et autorisert laserverksted.
- Ikke skift ut laseren med en annen type.

### GJENVÆRENDE RISIKO

Også når produktet brukes som beskrevet, er det ikke mulig å utelukke risiko for brukere eller personer i nærheten. Følgende farer kan oppstå ved bruk og operatøren bør være spesielt oppmerksom på å unngå/sikre følgende:

- Fare for kontakt med utildekkede deler på det roterende sagbladet.
- Tilbakeslag av arbeidsstykket eller deler av arbeidsstykket som følge av feilbehandling.
- Utkastelse av karbidtupper fra sagbladet.
- Skade på åndedrettsystemet.

**NB:** Bruk åndedrettsbeskyttelse med filter som er tilpasset materialene som skal kappes. Sørg for tilfredsstillende ventilasjon av arbeidsområdet. Ikke spis, drikk eller røyk i arbeidsområdet.

- Skader på hørselen dersom ikke effektivt hørselsvern

brukes.

#### ⚠ ADVARSEL

Støv fra visse malingtyper, belegg og materialer vil kunne skape irritasjoner eller allergiske reaksjoner i åndedrettsystemet. Støv fra tresorter som eik, bjørk, fiberplater og andre er kreftfremkallende. Materialer som inneholder må kun bearbeides av kvalifiserte spesialoperatører.

#### ⚠ ADVARSEL

Skader kan oppstå eller forsterkes ved forlenget bruk av et verktøy. Når du bruker et verktøy over en lenger tidsperiode, husk å ta regelmessige pauser.

### KJENN DITT PRODUKT

Se side 215.

1. Håndtak, isolert gripeoverflate
2. Strømbryter
3. Håndtak for sikkerhetslås
4. Øvre bladbeskytter
5. Sagblad
6. Nedre bladbeskytter
7. Hovedinngjerdning
8. Dreieskive
9. Fotplate
10. Bordinnsett
11. Håndtak for dreieskivelås
12. Balanseringsfot
13. Antitippstang
14. Laserbryter
15. Øvre håndtak, isolert gripeoverflate
16. Flens
17. Brakettstopper
18. Låsespak for skråkantvinkel
19. Klemme
20. Skyveinngjerdning
21. Monteringshull
22. Forlengerstang
23. Skruer for låsing av hovedgjerdning
24. Spindellåseknapp
25. Batteripakke
26. Støpøse
27. Justeringsknapp for kappedybde
28. Stopper for maksimum kappedybde
29. Stoppeknott for lineær stang
30. Skruer for justering av stopper for skråvinkelgrense
31. Sekskantnøkkel

### BRUK

Produktet har et bevegelig sagblad som kan stilles inn i forskjellige vinkler av brukeren når det kappes arbeidsstykker som er forsvarlig festet til produktets fundament. Utstyret må kun betjenes av én person for å hindre tilfeldig kontakt med sagbladet når det er i bevegelse. Prinsippene for trygg bruk av produktet er som følger:

- Vedlikehold sag, blader og arbeidsområde slik at de er i god stand.



- Sikre fundamentet for gjæringsssagen til en solid arbeidsbenk. Produktet kan komme i bevegelse og velte dersom det ikke er forsvarlig sikret.
- Sett opp og lås kappevinklene og dybden før kappet foretas.
- Fest arbeidsstykket til fundamentet for gjæringsssagen. Bruk den medfølgende klemmen, og, der det er nødvendig, bruk ytterligere klemmer eller holdemekanismer for å hindre utilsiktet bevegelse av arbeidsstykket under kappingen.
  - Påse at funksjonen til sagbladdekslet ikke begrenses av posisjonen til arbeidsstykket.
  - Påse at inngjerdningen og andre deler av produktet ikke vil bli kappet av når sagbladet senkes til kappeposisjon.
- Start motoren og la bladet nå full hastighet før den sakte senkes slik at den kapper arbeidsstykket. Skyv bladet bakover for å fullføre kuttet etter behov.
- La sagbladenheten heves til den øvre posisjonen, der sagbladdekslet er helt lukket. Slå av motoren og la sagbladet stoppe helt før arbeidsstykket eller den delen som er kappet av fjernes, eller før operatøren strekker hånd eller arm inn i området der sagbladet befinner seg.

Før første gangs bruk må det påses at vinkelen på skråkant- eller gjæringssettet på produktet tilsvarer den vinkelen som skal utføres på arbeidsstykket. Sjekk dette på et stykke kassert tre med en snekkers gjæringsvinkel.

#### ADVARSEL

Produsenten anbefaler så sterkt som mulig at produktet alltid er forsvarlig festet til toppen av en arbeidsbenk.

Når sokkelen på maskinen er godt festet til en benketopp med fire muttere, bolter og skiver som forklart, kan maskinen brukes når den er innstilt på maksimal skråvinkel og gjæring uten risiko for at den velter. Hvis produktet ikke er forsvarlig festet vil det kunne velte når store skråvinkler velges.

På fronten av gjæringsssagen er det en forlengerstang som må være trukket ut i full lengde. Dette vil bidra til å hindre at gjæringsssagen velter.

Det er også en justerbar skrue (balanseringsfot) som går ut fra bunnen av forlengerdreieskiven. Denne skruen må justeres slik at den berører den flate overflaten som produktet hviler på. Det vil også hindre at produktet kan velte når den fulle lengden av glide- og skråkanten kappes. Vær oppmerksom på at denne delen av sagbordet beveger seg når forskjellige gjæringsvinkler velges slik at skruen regelmessig må justeres og tilbakestilles.

#### VEDLIKEHOLD

- Ikke modifier produktet på noen måte eller bruk tilbehør som ikke er godkjent av produsenten. Din og andres sikkerhet vil kunne påvirkes negativt.
- Ikke bruk produktet hvis noen av bryterne, beskyttelsesutstyret eller andre funksjoner ikke virker som de skal. Oppsøk et autorisert servicesenter for profesjonelle reparasjoner eller justeringer.

- Ikke foreta noen justeringer mens sagbladet er i bevegelse.
- Pass alltid på at batteriet er fjernet fra sagen før du justerer, smører eller vedlikeholder sagen.
- Før og etter hver gangs bruk må produktet inspiseres for skader eller ødelagte deler. Hold produktet i topp stand ved umiddelbart å erstatte deler med reservedeler som er godkjent av produsenten.
- Bladet har skarpe kanter og kan forbli varmt etter et skjæreoperasjonene er gjennomført. Du må derfor være meget forsiktig når du rengjør et ubeskyttet blad. Bruk hansker for å beskytte deg mot personlig skade.
- Rengjør sagen og tilbehøret jevnlig for støv, særlig bevegelige deler, inkludert bladvakten. Bruk en håndbørste eller støvsuger for å fjerne støvet effektivt. Bruk ikke komprimert luft.
- For å sikre sikkerhet og pålitelighet må alle reparasjoner, inklusive skifte av børster, utføres ved et autorisert servicesenter.

#### ADVARSEL

Ikke prøv å demontere bladvakten for å rengjøre eller reparere den. Ikke bruk en vakt som er skadd. Lever den inn til et autorisert servicesenter for reparasjon eller utskifting.

#### ADVARSEL

For edre sikkerhet og pålitelighet skal alle reparasjoner utføres av et autorisert verksted.

#### Gjærings- og avfasingsvinkelkalibrering

Hvis gjærings- og avfasingsvinkelkalibrering er nødvendig, se side 236 – 242 og følg kalibreringsanvisningene.

#### Stopper for maksimum kappedybde

Stopperen for maksimum kappedybde har som oppgave å hindre sagbladet fra å kappe inn i enhetens metallfundament.

#### ADVARSEL

Stopperen for maksimum kappedybde kan ikke justeres av brukeren. Ikke juster stopperen for maksimum dybde.

#### VEDLIKEHOLD OG OPPBEVARING

- Fjern batteriet fra sagen når sagen skal lagres. Oppbevar maskinen på et trygt sted der barn ikke har tilgang.
- Rengjør produktet med en børste eller støvsuger før det settes bort for lagring.
- Hvis du fjerner sagbladet eller har reserveblader sammen med enheten, påse at de er pakket i originalemballasjen for å unngå skader.



### For å sikre produktet før det beveges:

- Produktet må lagres med null grader gjæring og skråkant og låst i denne posisjonen. Kuttene må være korte. Håndtaket skal være låst i den nedre (trygge) posisjonen med beskyttelsen lukket.
- En eller begge sider av forlengelsesstengene kan fjernes for å gjøre det enklere å bære sagen.

### For å flytte eller transporteres i et kjøretøy:

- Sikre produktet før flytting som beskrevet i brukermanualen.
- Fjern produktet fra arbeidsbenken ved å frigjøre de 4 skruene, en i hvert hjørne. Sikre skruene for framtidig bruk. Løft produktet i håndtaket på toppen.
- Når det løftes til en høyde behøves det to personer med kraftige hansker for å løfte produktets fundament.
- Når det transporteres i et kjøretøy settes produktet på sitt fundament og sikres mot å komme i bevegelse.

### MILJØVERN



Resirkuler råmaterialer istedenfor å kaste dem i søppelen. Verktøyet, tilbehørene og emballasjen bør sorteres for miljøvennlig resirkulering.

### SYMBOLER PÅ PRODUKTET



Sikkerhetsadvarsel



CE samsvarserklæring



EurAsian Konformitetstegn



Ukrainsk merke for konformitet



Vennligst les instruksjonene nøye før du starter maskinen.



Bruk hørselsvern



Bruk alltid øyebeskyttelse.



Hold hendene vekk fra skjæreområdet og skjærebladet.



Utsett ikke for regn eller bruk på fuktige steder.



Bruk sikkerhetskansker



Bladrotasjonsretning (vist på sagbladet)



Bladets roteringsretning (vist på sagbladdekslet)



Kuttets bladbredde (snitt)



Antall tenner på dette sagbladet



Sagekapasitet



Beregnet på saging av tre og tilsvarende materialer



Ikke for saging av metaller



Laserstråling.  
Ikke stirr inn i laserstrålen.  
Class 2 laserprodukt



Avfall fra elektriske produkter skal ikke kastes sammen med husholdningsavfall. Vennligst resirkulere vedeksisterende avfallsbehandlingssted. Undersøk hos dine lokale myndigheter eller forhandler for råd om resirkulering.

### SYMBOLER I MANUALEN



Lås



Låse opp



Låsemekanismen virker ikke



Deler eller tilbehør solgt separat



Nb





## Advarsel

Følgende symboler og betydninger forklarer risikonivået som er assosiert med dette produktet.

### **FARE**

Indikerer en umiddelbart farlig situasjon, som, dersom den ikke unngås, kan føre til alvorlig personskade eller død.

### **ADVARSEL**

Indikerer en potensiell farlig situasjon, som, dersom den ikke unngås, kan føre til alvorlig personskade eller død.

### **ADVARSEL**

Indikerer en potensiell farlig situasjon, som, dersom den ikke unngås, kan føre til mindre eller moderate skader.

### **ADVARSEL**

(Uten sikkerhetssymbol) Indikerer en situasjon som kan resultere i skader på eiendom.



В основе конструкции вашей торцовочной пилы принципы безопасности, продуктивности и надежности.

## НАЗНАЧЕНИЕ

Торцовочная пила предназначена для распила массивной и клееной древесины, а также аналогичных дереву материалов с добавлением шпона и пластика или без них.

К работе с устройством допускаются совершеннолетние лица, ознакомившиеся с инструкцией по эксплуатации и осознающие связанные с этим риски и угрозы.

Инструмент фиксируется основанием на твердой поверхности. Если основание закреплено ненадежно, все устройство может двигаться во время резки, что повышает вероятность получения серьезных травм.

Изделие предназначено для выполнения наклонного и косога распила. Производительность по различным видам распила приводится в технических характеристиках изделия в настоящем руководстве.

Инструмент подлежит использованию в сухом помещении в условиях достаточного освещения и вентиляции.

Используйте данное изделие только по его прямому назначению в соответствии с данным руководством.

## ОСНОВНЫЕ УКАЗАНИЯ ПО ТЕХНИКЕ БЕЗОПАСНОСТИ ПРИ РАБОТЕ С ЭЛЕКТРОИНСТРУМЕНТОМ

### ⚠ ОСТОРОЖНО

Прочтите все указания, инструкции, иллюстрации и спецификации, поставляемый с этим электроинструментом. Несоблюдение всех инструкций, указанных ниже, может привести к поражению электрическим током, пожару и / или серьезным травмам.

Сохраните все предупреждения и инструкции для дальнейшего использования. Термин "электроинструмент" в предупреждениях означает инструмент, работающий от электрической сети (проводной) или аккумулятора (беспроводной).

## БЕЗОПАСНОСТЬ НА РАБОЧЕМ МЕСТЕ

- Рабочий участок должен быть свободным и хорошо освещенным. Загромождение или плохое освещение рабочей зоны может привести к несчастным случаям.
- Не используйте электроинструменты во взрывоопасной среде, например, при наличии легковоспламеняющихся жидкостей, газов или пыли. В электрических устройствах могут образовываться искры, что может привести к воспламенению пыли или газа.
- Не допускайте присутствия детей и посторонних лиц при работе с электроинструментом. Отвлечение на посторонних лиц может привести к потере контроля во время эксплуатации агрегата.

## ЭЛЕКТРОБЕЗОПАСНОСТЬ

- Вилки кабеля питания инструмента должны соответствовать используемой розетке. Не подвергайте вилку кабеля каким-либо изменениям. Не используйте какие-либо переходники с электроинструментами с заземляющим проводом. Использование оригинальных штепсельных вилок и соответствующих розеток предотвращает опасность поражения электрическим током.
- Не допускайте контакта частей тела с поверхностями заземленных предметов, например труб, радиаторов отопления, кухонных плит, холодильников. При соприкосновении частей тела человека с заземленными участками возрастает опасность поражения электрическим током.
- Не оставляйте электроинструменты под дождем или в условиях повышенной влажности. Попавшая внутрь электроинструмента вода увеличивает опасность поражения электрическим током.
- Не допускайте неправильного обращения с кабелем. Не используйте кабель для переноски, перемещения или отключения инструмента от сети питания. Не раскладываете кабель вблизи источников тепла, масла, острых предметов или подвижных элементов. Поврежденные или запутанные провода повышают опасность поражения электрическим током.
- При работе с электроинструментом вне помещений пользуйтесь удлинительным кабелем, предназначенным для наружного применения. Использование кабеля, предназначенного для наружного применения, снижает опасность поражения электрическим током.
- Если нет возможности избежать работы в условиях повышенной влажности, подключайте электроинструмент через устройство защитного отключения. При использовании устройства защитного отключения снижается опасность поражения электрическим током.

## ЛИЧНАЯ БЕЗОПАСНОСТЬ

- Будьте внимательны при работе с устройством и руководствуйтесь здравым смыслом. Не используйте агрегат в случае усталости или после принятия наркотиков, алкоголя или медицинских препаратов. Малейшая невнимательность при работе с электроинструментом может привести к серьезной травме.
- Использовать средства индивидуальной защиты. Всегда надевайте защитные очки. Такие средства защиты, как противопылевая маска, нескользящая обувь, жесткий головной убор и средства защиты органов слуха, при использовании в соответствующих условиях позволят снизить риск получения травмы.
- Не допускайте непреднамеренного запуска.





Перед подключением инструмента к источнику питания, заменой аккумуляторного блока, поднятием и переноской инструмента проверьте, чтобы переключатель находился в положении "выключено". При переноске электроинструментов с пальцем на переключателе или подаче питания к инструментам при переключателе в положении "вкл." возможны несчастные случаи.

- Перед включением электроинструмента уберите все регулировочные и гаечные ключи. Гаечные или регулировочные ключи, оставленные на вращающихся частях электроинструмента, могут привести к телесному повреждению.
- Не прикладывайте чрезмерных усилий. Старайтесь сохранять устойчивость и подыскивайте твердую опору. Это обеспечивает лучшую управляемость электроинструментом в непредвиденных ситуациях.
- Одевайтесь соответствующим образом. Не надевайте одежду свободного покроя и украшения. Не допускайте попадания волос и одежды в подвижные детали. Свободная одежда, украшения и длинные волосы могут попасть в движущиеся части.
- При наличии оборудования для соединения пылеуловителей и пылеотделителей обеспечьте его надлежащее подключение и эксплуатацию. Пылеулавливание может снизить угрозы, связанные с образованием пыли.
- Не нарушайте правила техники безопасности, даже несмотря на длительный опыт работы с инструментами. Небрежные действия могут за долю секунды привести к серьезной травме.

#### ЭКСПЛУАТАЦИЯ ЭЛЕКТРОИНСТРУМЕНТА И УХОД ЗА НИМ

- Не увеличивайте скорость работы инструмента. Правильно подбирайте инструмент для выполнения необходимой работы. Правильно подобранный инструмент лучше и безопаснее выполняет свою работу.
- Не пользуйтесь электроинструментом, если выключатель не включается или не выключается. Любой электроинструмент, не управляемый выключателем, представляет опасность и должен быть отремонтирован.
- Перед регулировкой, заменой принадлежностей и помещением электроинструмента на хранение отсоедините вилку от источника питания и/или извлеките аккумуляторный блок (если это возможно). Такие меры предосторожности снижают риск случайного пуска инструмента.
- Храните неиспользуемые электроинструменты в месте, недоступном для детей, а также не допускайте к использованию данного инструмента лиц, не знакомых с его работой или не ознакомленных с данными данными инструкциями. Использование электроинструментов лицами, не подготовленными к работе с подобными электроинструментами, может

стать причиной создания опасных ситуаций.

- Электроинструменты и принадлежности необходимо обслуживать. Проверьте инструмент на предмет наличия перекоса или заклинивания движущихся частей, дефектов компонентов или наличия иных условий, которые могут отразиться на его работе. При повреждении изделия перед его дальнейшим использованием следует выполнить техническое обслуживание. Большое количество несчастных случаев происходит из-за ненадлежащего технического обслуживания изделий.
- Поддерживайте режущие инструменты в заточенном и чистом виде. Режущие инструменты в надлежащем состоянии, с острыми кромками менее подвержены застреванию и более управляемы.
- Используйте инструмент, принадлежности, наконечники и др. в соответствии с данными инструкциями, учитывая условия и характер работы. Использование данного электроинструмента не по назначению может создать опасную ситуацию.
- Поддерживайте захватные поверхности в сухом, чистом виде, без масла и смазки. Скользкие рукояти и захватные поверхности не дают возможности контролировать инструмент в нестандартных ситуациях.

#### ЭКСПЛУАТАЦИЯ И ОБСЛУЖИВАНИЕ АККУМУЛЯТОРНОГО ИНСТРУМЕНТА

- Заряжать аккумуляторы можно только зарядным устройством, разрешенным производителем инструмента. Зарядное устройство, подходящее только для одного типа батарей, может создать опасность пожара при использовании для зарядки батарей иного типа.
- В электроинструменты следует устанавливать аккумуляторные блоки, имеющие подходящую маркировку. При использовании других аккумуляторных блоков возрастает риск пожара и получения травмы.
- Когда батареи не используются, держите их вдали от металлических предметов, таких как зажимы, монеты, ключи, гвозди, винты или иные небольшие металлические предметы, которые могут создать контакт между полюсами. Короткое замыкание на контактах аккумулятора может стать причиной пожара.
- При неблагоприятных условиях из аккумулятора может вытечь жидкость; избегайте контакта с такой жидкостью. При случайном контакте промойте место воздействия водой. При попадании жидкости в глаза промойте их водой и обратитесь к врачу. Аккумуляторная жидкость может вызвать раздражение кожи и слизистых оболочек или ожоги.
- Использование поврежденного или модифицированного аккумуляторного блока и инструмента не допускается. Поврежденные или



модифицированные аккумуляторы могут работать непредсказуемо и стать причиной пожара, взрыва или травмы.

- **Запрещается подвергать аккумуляторный блок и инструмент воздействию огня и высокой температуры.** Воздействие огня или температуры выше 130°C может привести к взрыву.
- **Заряжайте аккумуляторные блоки и инструмент в соответствии с инструкцией, не подвергая их при этом воздействию температур вне диапазона, указанного в инструкции.** Зарядка без соблюдения инструкции или при воздействии температур вне предусмотренного диапазона может привести к повреждению аккумулятора и повысить риск возгорания.

## ОБСЛУЖИВАНИЕ

- **Техническое обслуживание и ремонт электроинструмента должен выполнять только квалифицированный специалист с использованием взаимозаменяемых запасных частей.** Это обеспечит нормальное техническое состояние устройства.
- **Обслуживание аккумуляторных блоков с признаками повреждения не допускается.** Обслуживание аккумуляторных блоков должно выполняться производителем или авторизованным сервисным центром.

## ПРАВИЛА ТЕХНИКИ БЕЗОПАСНОСТИ ПРИ ИСПОЛЬЗОВАНИИ ТОРЦОВОЧНЫХ ПИЛ

- **Торцовочные пилы предназначены для распила деревянных и древесноподобных изделий и не предназначены для работы с абразивными кругами для резки изделий из черного металла, таких как арматура, стержни, гвозди и т.д. Абразивная пыль способствует заклиниванию подвижных деталей, например, нижней защиты.** Искры, образующиеся в процессе абразивного распила, способны оплавить нижнюю защиту, направляющий вкладыш и другие пластиковые детали.
- **По возможности используйте зажимы для удерживания заготовки.** При удержании обрабатываемой детали вручную убедитесь в том, чтобы рука всегда находилась не ближе 100 мм от полотна пилы. Запрещается использовать данную пилу для резки слишком мелких деталей, которые невозможно безопасно удерживать в зажиме или вручную. Если ваша рука находится слишком близко к полотну пилы, возрастает риск получения травмы.
- **Обрабатываемая деталь должна быть надежно зафиксирована в зажиме или между ограничителем и столом.** Запрещается подводить обрабатываемую деталь к лезвию или свободно удерживать ее руками. Без надлежащей фиксации обрабатываемая деталь может вылететь и нанести травму.
- **Распил обрабатываемой детали следует выполнять движением от себя.** Запрещается выполнять распил обрабатываемой детали движением на себя. Для выполнения распила поднимите головку пилы, наведите ее на обрабатываемую деталь без выполнения распила, запустите двигатель, опустите головку пилы и выполните распил движением от себя. Распил движением на себя с высокой долей вероятности может привести к соскакиванию полотна пилы из линии распила в сторону оператора.
- **Запрещается помещать руку на предполагаемой линии распила перед или за полотном пилы.** Удерживать обрабатываемую деталь "крест накрест", т.е. с правой стороны полотна левой рукой или наоборот, очень опасно.
- **Запрещается заводить руку за ограничитель ближе 100 мм от вращающегося полотна пилы для удаления опилок и иных целей.** Вы можете неправильно оценить расстояние до вращающегося полотна и получить серьезную травму.
- **Перед выполнением распила следует осмотреть обрабатываемую деталь.** В случае изгиба или искривления обрабатываемой детали зажмите ее внешней изогнутой стороной к ограничителю. Всегда следите за тем, чтобы по линии распила отсутствовал зазор между обрабатываемой деталью, ограничителем и столом. Изогнутые или искривленные обрабатываемые детали подвержены скручиванию и смещению, что может стать причиной защемления полотна во время распила. В обрабатываемой детали не должно быть гвоздей и других посторонних предметов.
- **Использование пилы допускается только после удаления со стона всех инструментов, опилок и прочего.** Небольшой сор, древесные щепки и другие предметы при соприкосновении с вращающимся полотном могут разлетаться с высокой скоростью.
- **Единовременно следует выполнять распил только одной детали.** Обеспечить надлежащую фиксацию сложенных вместе деталей невозможно, и это может привести к повреждению полотна или смещению обрабатываемых деталей.
- **Перед началом работы убедитесь в том, что торцовочная пила установлена на ровной твердой поверхности.** Ровная твердая поверхность снижает риск нарушения устойчивости торцовочной пилы.
- **Работы следует выполнять по плану.** При каждом изменении угла распила следует соответствующим образом регулировать положение ограничителя для фиксации обрабатываемой детали и предотвращения его контакта с полотном и защитной системой. Не включая инструмент и не размещая обрабатываемую деталь на столе, проведите полотно по всей длине предполагаемого распила, убедившись в отсутствии помех и вероятности столкновения с ограничителем.
- **При обработке детали, длина которой превышает длину столешницы, используйте**



**дополнительные приспособления, например, удлинители стола, пыльные козлы и т.д.** Если длина или ширина обрабатываемой детали превышает длину или ширину поверхности стола торцовочной пилы, без надлежащей поддержки может произойти ее опрокидывание. В случае опрокидывания отрез или деталь может поднять нижнюю защиту или быть отброшена вращающимся полотном.

- **Поддержка длинной детали с помощью человека вместо удлинителя стола не допускается.** Нестабильная фиксация обрабатываемой детали в процессе распила может стать причиной повреждения полотна или смещения детали, что может привести к затягиванию оператора или страхующего в рабочую зону полотна пилы.
- **Запрещается давить на отрезаемый край детали в процессе распила.** В зажатых условиях, например, при использовании упоров для установки длины, возможно резкое отбрасывание отреза вращающимся полотном.
- **Необходимо использовать зажим или специальное крепление для надежной фиксации круглых изделий, таких как арматура и труба.** В ходе распила может произойти проворачивание и "закусывание" арматуры, и, как следствие, затягивание детали вместе с вашей рукой в рабочую зону полотна.
- **Перед началом распила дождитесь, пока полотно достигнет максимальной скорости вращения.** Это позволит снизить риск отбрасывания детали.
- **В случае застревания обрабатываемой детали или лезвия отключите торцовочную пилу. Дождитесь остановки всех движущихся частей и отсоедините устройство от источника питания и/или извлеките аккумуляторный блок. Далее высвободите застрявшую деталь.** Дальнейший распил застрявшей детали может привести к потере контроля и повреждению торцовочной пилы.
- **По завершении распила отпустите переключатель, и не поднимая головку пилы, дождитесь остановки полотна, после чего извлеките отрез.** Подносить руку к вращающемуся по инерции полотну опасно.

### **ИНСТРУКЦИИ ПО ТЕХНИКЕ БЕЗОПАСНОСТИ ДЛЯ ПЫЛЬНОГО ДИСКА ПО ДЕРЕВУ**

- Перед началом использования полотна пилы и самого изделия внимательно ознакомьтесь с руководством и всеми инструкциями.
- Электроинструмент должен быть в рабочем состоянии, шпиндель не должен быть деформирован и не должен вибрировать.
- Работа с изделием без надлежащей установки защиты не допускается. Защитные приспособления должны поддерживаться в хорошем рабочем состоянии и надлежащим образом обслуживаться.
- Убедитесь в том, что оператор ознакомлен со всеми мерами предосторожности, а также порядком настройки и эксплуатации изделия.

- В процессе работы с изделием следует использовать специальные очки и средства защиты органов слуха. Рекомендуется надевать перчатки, прочные нескользящие ботинки и фартук.
- Перед использованием принадлежностей обязательно прочитайте информацию о них в руководстве по эксплуатации. Ненадлежащее использование оборудования может привести к его повреждению, а также повышает риск получения травмы.
- Используйте только режущие диски, указанные в данном руководстве и удовлетворяющие требованиям стандарта EN 847-1.
- Во время работы не допускайте превышения максимальной скорости вращения, указанной на режущем диске. Убедитесь, что скорость, указанная на пыльном диске, больше или равна скорости, указанной на пиле.
- Всегда используйте пыльные диски правильного размера и формы, с соответствующим диаметром посадочного отверстия. Диски с посадочным отверстием не соответствующим диаметру шпинделя пилы будут работать с биением, что может привести к потере контроля над инструментом.
- Используйте режущие диски только предписанного диаметра! Не используйте прокладки для закрепления режущего диска в шпинделе.
- Перед каждым использованием проверяйте лезвия режущего полотна на отсутствие повреждений и видимых отклонений. Поврежденные и болтающиеся лезвия могут отлетать при использовании, что повышает риск получения травмы.
- Не используйте треснувшие или погнутые полотна пилы. Не используйте поврежденные или деформированные пыльные полотна.
- Поврежденное, деформированное, изогнутое или треснутое режущее полотно необходимо сдать в лом, ремонт такого полотна запрещен.
- Не пользуйтесь режущими дисками из быстрорежущей стали.
- Перед началом работы проверьте правильность установки полотна и затяните зажимную гайку (момент затяжки - прим. 12-15 Нм).
- Крепежный винт и гайки следует затягивать с помощью подходящего ключа.
- Перетяжка гаечным ключом, а также с помощью молотка запрещена.
- Следите за чистотой дисков и фланцев, проследите также, чтобы углубленные стороны втулки прилегали к режущему диску.
- Убедитесь в том, что режущий диск вращается в нужном направлении.
- Перед работой выполните имитирующий рез с выключенным двигателем, чтобы проверить положение лезвия, функционирование защитных приспособлений по отношению к другим деталям устройства и заготовке.

|           |
|-----------|
| EN        |
| FR        |
| DE        |
| ES        |
| IT        |
| NL        |
| PT        |
| PL        |
| DA        |
| SV        |
| FI        |
| NO        |
| <b>RU</b> |
| PL        |
| CS        |
| RO        |
| HU        |
| LV        |
| LT        |
| ET        |
| HR        |
| SL        |
| SK        |
| BG        |
| UK        |
| TR        |
| EL        |





- Никогда не оставляйте изделие без присмотра.
- Не пытайтесь смазать маслом режущий диск во время его работы.
- Запрещается проводить работы по техническому обслуживанию и очистке, если устройство все еще работает, а его головная часть не вернулась в исходное положение.
- Никогда не пытайтесь остановить работающее устройство путем заклинивания инструмента или прикладывания предметов к режущему диску. Это может привести к серьезным травмам.
- Перед заменой полотна или проведением технического обслуживания отключите изделие от сети питания или извлеките аккумуляторный блок.
- Будьте внимательны при упаковке и распаковке пильных дисков, об острые концы можно легко обрезать.
- Переносите пильный диск с использованием специального держателя или в перчатках.
- Храните пильный диск в оригинальной упаковке или иной подходящей упаковке в сухости вдали от химических веществ, которые могут повредить диск.

#### **ДОПОЛНИТЕЛЬНЫЕ ПРЕДУПРЕЖДЕНИЯ ПО ТЕХНИКЕ БЕЗОПАСНОСТИ**

- Всегда безопасно и надежно закрепляйте заготовку.
- Удостоверьтесь в том, что машина всегда имеет надежное положение (например, закреплена на верстаке).
- Используйте наушники! Воздействие шума может привести к потере слуха.
- В процессе работы с изделием используйте защитные очки. Рекомендуется надевать перчатки при обращении с дисками и грубыми материалами, а также прочную нескользкую обувь для защиты ног от кусков, которые могут падать в зоне резки.
- Перед проведением любых операций по техническому обслуживанию или очистке отключите изделие от сети питания или извлеките аккумуляторный блок.
- Установка аккумуляторного блока должна осуществляться только при выключенном изделии.
- Не выполняйте никаких действий рядом с пильным диском, пока не произойдет полной остановки диска.
- Перед использованием тщательно осмотрите изделие и аккумуляторный блок на предмет наличия повреждений и износа материалов. Ремонт изделия должен выполняться только в авторизованном сервисном центре.
- Всегда используйте защитные перегородки. Воздержитесь от использования изделия, если защита не установлена или работает ненадлежащим образом.
- Нижнюю защиту полотна можно открывать только в момент опускания полотна на обрабатываемую деталь, и должна всегда перемещаться беспрепятственно и закрываться автоматически.
- В процессе работы всегда используйте наставки для поддержки обрабатываемой детали.
- Запрещается вносить изменения в конструкцию или порядок работы изделия. Ваша безопасность может быть нарушена.
- Не используйте пильные диски, которые треснуты, повреждены или деформированы.
- Не применяйте какие-либо пильные диски из быстрорежущей стали.
- Используйте только острые диски. Замените затупившиеся диски.
- Всегда используйте пильные диски правильного размера и формы, с соответствующим диаметром посадочного отверстия. Диски с посадочным отверстием не соответствующим диаметру шпинделя пилы будут работать с биением, что может привести к потере контроля над инструментом.
- Допускается использование только полотен по дереву, указанных в настоящем руководстве и соответствующих стандарту EN 847-1.
- Не используйте никакие фланцы, шайбы и гайки для крепления пильного диска, не входящие в комплект поставки или не указанные в руководстве по эксплуатации.
- Выберите пригодное для разрезаемого материала пильное полотно. Использование данного изделия для распила или резки материалов, не приведенных в разделе "Назначение" настоящего руководства, не допускается.
- При выполнении распила важно не допускать перегрева полотна и оплавки пластиковых деталей.
- Необходимо соблюдать максимальную скорость вращения, указанную на полотне пилы, а также использовать полотно, маркировка скорости на которой совпадает или превышает маркировку скорости на инструменте.
- Заменяйте пластину для пропила в случае ее износа или повреждения.
- Перед работой выполните имитирующий рез с выключенным двигателем, чтобы проверить положение лезвия, функционирование защитных приспособлений по отношению к другим деталям устройства и заготовке.
- При выполнении наклонных, косых или сложных распилов защиту следует регулировать с учетом необходимого зазора.
- В процессе транспортировки изделия необходимо активировать фиксатор рукоятки.
- Не оставляйте разбросанными на полу какие-либо материалы, например, опилки и отрезанные куски.
- Не удалять остатки стружки или иные части заготовок из области распиловки, если машина работает, а планшайба круглой пилы не находится в нейтральном положении.
- Длинные заготовки соответственно подоприте. Рабочая зона пилы включает в себя всю рабочую заготовку. Оператор должен обезопасить это место от случайного касания другими лицами или



предметами, которые могут переместить заготовку во время работы.

- Пыль, образуемая в процессе эксплуатации изделия, может нанести вред здоровью. Используйте устройство для отсасывания пыли и носите пылезащитную маску. Полностью удалите осевшую пыль, например, с помощью пылесоса.
- Не заменяйте лазер лазером другого типа. Ремонтные работы должны выполняться только производителем или авторизованным сервисным центром.
- Температура окружающей среды для эксплуатации инструмента должна быть в диапазоне от 0°C до 40°C.
- Температура окружающей среды для хранения инструмента должна быть в диапазоне от 0°C до 40°C.
- Рекомендуемая температура окружающей среды для зарядного устройства в процессе зарядки должна быть в диапазоне между 10°C и 38°C.

### ТРАНСПОРТИРОВКА ЛИТИЕВЫХ БАТАРЕЙ

Транспортируйте аккумуляторную батарею в соответствии с местными и государственными правилами и положениями.

При транспортировке батарей третьей стороной соблюдайте все специальные требования по упаковке и маркировке. Проверьте, чтобы аккумуляторные батареи не вступали в контакт с другими батареями или проводимыми материалами при транспортировке, для этого защитите оголенные разъемы изоляцией, изолирующими колпачками или лентами. Не переносите батареи с повреждениями или утечками. За дальнейшими консультациями обратитесь в транспортно-экспедиционную компанию.

### ТРЕБОВАНИЯ БЕЗОПАСНОСТИ ПРИ ИСПОЛЬЗОВАНИИ ДОПОЛНИТЕЛЬНОЙ АККУМУЛЯТОРНОЙ БАТАРЕИ

#### **▲ ОСТОРОЖНО**

Для предотвращения опасности пожара в результате короткого замыкания, травм и повреждения изделия не опускайте инструмент, сменный аккумулятор или зарядное устройство в жидкости и не допускайте попадания жидкостей внутрь устройств или аккумуляторов. Коррозийные и проводящие жидкости, такие как соленый раствор, определенные химикаты, отбеливающие средства или содержащие их продукты, могут привести к короткому замыканию.

- Температура окружающей среды для эксплуатации аккумулятора должна быть в диапазоне от 0°C до 40°C.
- Температура окружающей среды для хранения аккумулятора должна быть в диапазоне от 0°C до 20°C.

### ПРАВИЛА ТЕХНИКИ БЕЗОПАСНОСТИ ПРИ РАБОТЕ С ЛАЗЕРОМ

- Излучение лазерного указателя, используемое в данном инструменте, соответствует классу 2 с мощностью излучения не более  $\leq 1\text{mW}$  и длиной волны 650 нм. Не смотрите прямо на лазерный луч. Несоблюдение правил может привести к серьезным травмам.
- Не смотрите на лазерный луч во время работы.
- Не направляйте лазерный луч в глаза других лиц. Это может привести к тяжелым нарушениям зрения.
- Не устанавливайте лазер в такое положение, чтобы кто-либо мог намеренно или случайно посмотреть прямо на лазерный луч.
- Не используйте оптических инструментов для рассматривания лазерного луча.
- Не используйте лазер в присутствии детей и не разрешайте им пользоваться лазером.
- Не пытайтесь самостоятельно ремонтировать лазерное устройство.
- Не пытайтесь самостоятельно заменить какие-либо части лазерного устройства.
- Любой ремонт должен выполняться только изготовителем лазера или уполномоченным сервисным агентом.
- Не заменяйте лазер лазером другого типа.

### ОСТАТОЧНЫЕ РИСКИ

Даже когда изделие используют согласно инструкциям, невозможно полностью устранить факторы риска. Следующие опасности могут возникнуть во время его использования, и во избежание их рабочий должен обратить особое внимание на следующее:

- Опасность контакта с незакрытыми частями вращающегося пильного диска.
- Отскакивание заготовок и их частей в результате неправильного обращения с ними.
- Отбрасывание поврежденных твердосплавных пластин с режущего полотна пилы.
- Повреждение дыхательной системы.  
**ПРИМЕЧАНИЕ:** Носите средства защиты органов дыхания, содержащие фильтры, соответствующие обрабатываемым материалам. Обеспечьте надлежащую вентиляцию на рабочем месте. Не ешьте, не пейте и не курите в рабочей зоне.
- Травмирование органов слуха вследствие игнорирования соответствующих средств защиты.

#### **▲ ОСТОРОЖНО**

Пыль, представляющая собой частицы определенных красок, покрытий и материалов, может вызвать раздражение или аллергические реакции дыхательной системы. Пыль от дуба, бука, МДФ и прочей древесины является канцерогенной. К обработке материалов, содержащих асбест, допускаются только опытные квалифицированные операторы.

EN  
FR  
DE  
ES  
IT  
NL  
PT  
DA  
SV  
FI  
NO  
**RU**  
PL  
CS  
HU  
RO  
LV  
LT  
ET  
HR  
SL  
SK  
BG  
UK  
TR  
EL

### **⚠ ОСТОРОЖНО**

Продолжительное использование инструмента без перерыва может привести к травмам. При использовании инструмента в течение длительного времени делайте регулярные перерывы.

### **ИЗУЧИТЕ ИЗДЕЛИЕ**

Стр 215.

1. Ручка, изолированная поверхность захвата
2. Выключатель питания
3. Стопорная рукоятка
4. Верхняя охранник
5. Пильное полотно
6. Нижняя охранник
7. Основная направляющая планка
8. Поворотный столик
9. База
10. Пластина для пропила
11. Стопорная рукоятка поворотного столика
12. Регулировочная ножка
13. Антиопрокидывающий упор
14. Выключатель лазера
15. Верхняя рукоять, изолированная поверхность захвата
16. Фланец
17. Упорный угольник
18. Рычаг фиксации угла распила
19. Зажим
20. Раздвижная направляющая планка
21. Монтажное отверстие
22. Выдвижная планка
23. Винты для фиксации основного ограничителя
24. Блокировка шпинделя кнопки
25. Аккумулятор
26. Пылесборный мешок
27. Ручка регулировки глубины реза
28. Ограничитель максимальной глубины реза
29. Ручка останова стержня
30. Винты для регулировки ограничителя угла наклона
31. Шестигранный гаечный ключ

### **ЭКСПЛУАТАЦИЯ**

Компонентом изделия является движущийся пильный диск, который может быть установлен оператором под различными углами при резке обрабатываемой детали, которая надежно закрепляется на основании изделия. Необходимо, что управление осуществлял только один оператор во избежание случайного контакта с вращающимся пильным диском.

Ниже приведены принципы безопасной эксплуатации изделия.

- Поддерживайте пилу, диски и рабочую зону в хорошем состоянии.
- Закрепите основание торцовочной пилы на прочном верстаке. Изделие может сдвинуться или перевернуться, если оно недостаточно закреплено.
- Настройте и заблокируйте углы и глубину реза, прежде чем выполнять резку.

- Закрепите заготовку в основании торцовочной пилы. Используйте зажим, который входит в комплект поставки, и, где необходимо, используйте дополнительные зажимы или держатели для предотвращения непреднамеренного движения заготовки во время резки.

- Убедитесь, что функционирование ограждения диска не ограничено положением обрабатываемой детали.

- Убедитесь, что направляющая планка и другие части изделия не будут отрезаны при опускании лезвия к положению резки.

- Запустите двигатель и дайте диску достичь полной скорости, прежде чем начать медленно опускать его для резки заготовки. Для выполнения распила ведите конструкцию полотна назад.

- Дайте диску подняться в верхнее положение, где он полностью закрыт ограждением. Прежде чем извлечь рабочую заготовку или обрезки, а также выполнять каких-либо действия вблизи диска, выключите двигатель и дождитесь полной остановки диска.

Перед первым использованием убедитесь, что угол наклона или поворота, установленный на изделии, соответствует углу, который должен быть достигнут при обработке заготовки. Проверьте это на ненужном деревянном бруске, используя коробку для столярных инструментов или угольник.

### **⚠ ОСТОРОЖНО**

Производитель настоятельно рекомендует, чтобы изделие было всегда надежно закреплено на крышке верстака.

После закрепления основания инструмента на верстаке с помощью четырех гаек, болтов и шайб в соответствии с инструкцией, его можно использовать при максимальном наклоне и под максимальным углом без опасности опрокидывания. Если изделие не закреплено должным образом, оно может перевернуться, когда выбраны большие углы наклона.

В передней части основания торцовочной пилы есть выдвигающаяся планка, которую необходимо выдвигать на максимальную длину. Это поможет предотвратить переворачивание торцовочной пилы.

Также имеется регулировочный винт (регулировочная ножка), который выдвигается из нижней части приставного поворотного стола. Этот винт должен быть отрегулирован так, чтобы он касался плоской поверхности, на которой стоит изделие. Это также предотвратит изделие от переворачивания при резке при максимальном раздвижении и угле наклона. Будьте осторожны, эта часть пильного стола движется при выборе разных углов поворота, поэтому винт необходимо регулярно регулировать и возвращать его в исходное положение.

### **ТЕХНИЧЕСКОЕ ОБСЛУЖИВАНИЕ**

- Запрещается каким-либо образом изменять конструкцию изделия или использовать аксессуары,





не рекомендованные производителем. Ваша безопасность и безопасность других людей может быть нарушена.

- Не используйте изделие, если выключатели, защитные приспособления или другие компоненты не функционируют должным образом. обратитесь в авторизованный сервисный центр для ремонта или регулировки.
- Не выполняйте никакой регулировки, пока пильный диск находится в движении.
- Перед регулировкой, нанесением смазки или проведением технического обслуживания изделия следует извлечь аккумуляторный блок.
- Проверяйте изделие на предмет повреждения или поломки деталей перед и после каждого использования. Держите изделие в хорошем рабочем состоянии, своевременно заменяя изношенные детали, используя запасные части, рекомендуемые производителем.
- Нож имеет острые края и в процессе работы станка может нагреваться. При очистке лезвия соблюдайте особую осторожность. Используйте перчатки для защиты от травм.
- Необходимо регулярно выполнять очистку пилы и дополнительных принадлежностей от пыли, особенно подвижных деталей, в том числе защитных. Для эффективного удаления пыли используйте обыкновенную щетку или пылесос. Не используйте сжатый воздух.
- Для обеспечения безопасности и надежности все ремонтные работы, включая замену щеток, должны выполняться в авторизованном сервисном центре.

#### **⚠ ОСТОРОЖНО**

Не пытайтесь разобрать конструкцию защиты полотна в целях очистки или ремонта. Использование поврежденной защиты не допускается. Отправьте изделие в авторизованный сервисный центр для ремонта или замены.

#### **⚠ ОСТОРОЖНО**

Для большей безопасности и надежности все ремонтные работы должны проводиться авторизованным сервисным центром.

#### **Калибровка углов наклонного и косого распила**

При возникновении необходимости в калибровке углов наклонного и косого распила смотрите страницы 236 – 242 и следуйте инструкциям.

#### **Ограничитель максимальной глубины реза**

Ограничитель максимальной глубины реза предназначен для того, чтобы диск не мог коснуться металлического основания изделия.

#### **⚠ ОСТОРОЖНО**

Ограничитель максимальной глубины реза не подлежит регулировке пользователем. Не изменяйте положение ограничителя максимальной глубины реза.

#### **ТРАНСПОРТИРОВКА И ХРАНЕНИЕ**

- При подготовке изделия к хранению извлеките аккумуляторный блок. Храните изделие в безопасном недоступном для детей месте.
- Перед постановкой изделия на хранение очистите его, используя щетку или пылесос.
- Если вы извлекаете пильный диск или держите запасные диски вместе с устройством, следите за тем, чтобы они хранились в своей упаковке во избежание травм.

#### **Закрепите изделие до начала транспортировки:**

- При постановке изделия на хранение установите угол поворота и угол наклона равными нулю и заблокируйте это положение. Раздвижная направляющая планка должна быть заблокирована. Ручка должна быть зафиксирована в нижнем (безопасном) положении при закрытых защитных приспособлениях.
- Для удобства переноски извлеките одну или обе наставки.

#### **Чтобы перемещать или перевозить на автомобиле:**

- Закрепите изделие до начала транспортировки, как описано в данном руководстве.
- Снимите изделие с крышки верстака, отвернув 4 болта, по одному на каждом углу. Закрепите болты для дальнейшего использования. Поднимите изделие с помощью ручки в верхней части.
- Для подъема основания изделия требуются два оператора, у которых должны быть надеты прочные перчатки.
- Для транспортировки в автомобиле установите изделие на его основание и закрепите во избежание перемещения.

#### **ЗАЩИТА ОКРУЖАЮЩЕЙ СРЕДЫ**



Утилизируйте как сырье, а не выбрасывайте как мусор. Машина, аксессуары и упаковка должны быть отсортированы.

#### **УСЛОВНЫЕ ОБОЗНАЧЕНИЯ НА ПРОДУКТЕ**



Сигнал опасности



Соответствие требованиям CE





Знак Евразийского Соответствия  
Сертификат Соответствия  
№ TC RU C-DE.AE61.B.10200  
Срок действия Сертификата  
Соответствия По 12.10.2022  
АНО Экспертизы и контроля  
качества – Центр сертификации  
«Евро-Тест»  
109147 РФ, город Москва,  
улица Малая Калитниковская  
дом 7



Украинский знак стандартизации



Перед использованием прибора  
внимательно ознакомьтесь с  
данной инструкцией.



Применяйте средства защиты  
органов слуха



Всегда надевайте защитные очки.



Не держите руки в области  
резания и режущего диска.



Не оставляйте под дождем или во  
влажных местах.



Надевайте защитные перчатки



Направление вращения полотна  
(указано на полотне пилы)



Направление вращения диска  
(показано на ограждении  
пильного диска)



Ширина распилы (прорези)



Число зубьев на полотне



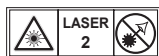
Режущая способность



Для распилы дерева и  
аналогичного материала



Не подходит для работы по  
металлу



Лазерное излучение.  
Не смотрите на луч лазера.  
Лазерное изделие класса 2



Отработанная электротехническая  
продукция должна уничтожаться  
вместе с бытовыми отходами.  
Утилизируйте, если имеется  
специальное техническое  
оборудование. По вопросам  
утилизации проконсультируйтесь  
с местным органом власти  
или предприятием розничной  
торговли.

## ОБОЗНАЧЕНИЯ В РУКОВОДСТВЕ



Зафиксировать



Расцепить



Механизм блокировки не работает



Детали или принадлежности,  
приобретаемые отдельно



Примечание



Осторожно

Следующие сигнальные слова и значения  
предназначены, чтобы объяснить уровни риска,  
связанного с этим изделием.

### ОПАСНО

Указывает на потенциально опасную ситуацию,  
которая, если ее не избежать, приведет к летальному  
исходу или серьезной травме.

### ОСТОРОЖНО

Указывает на потенциально опасную ситуацию,  
которая, если ее не избежать, может привести к  
летальному исходу или серьезной травме.

### ВНИМАНИЕ

Указывает на потенциально опасную ситуацию,  
которая, если ее не избежать, может привести к  
травме легкой или средней тяжести.

### ВНИМАНИЕ

(Без Символа Тревоги Безопасности) Указывает  
ситуацию, которая может кончаться повреждением  
собственности.

**Транспортировка:**

Категорически не допускается падение и любые механические воздействия на упаковку при транспортировке.

При разгрузке/погрузке не допускается использование любого вида техники, работающей по принципу зажима упаковки.

**Хранение:**

Необходимо хранить в сухом месте.

Необходимо хранить вдали от источников повышенных температур и воздействия солнечных лучей.

При хранении необходимо избегать резкого перепада температур.

Хранение без упаковки не допускается.

Срок службы изделия составляет 5 лет.

Не рекомендуется к эксплуатации по истечении 5 лет хранения с даты изготовления без предварительной проверки.

**Дата изготовления** (код даты) отштампован на поверхности корпуса изделия.

Пример:

W17 Y2015, где Y2015 - год изготовления

W17 – неделя изготовления

Определить месяц изготовления можно согласно приведенной ниже таблице, на примере 2015 года.

**Обратите внимание!** Количество недель в месяце различается от года в год.

**Срок службы изделия:**

| Месяц  | Январь | Февраль | Март | Апрель | Май | Июнь | Июль | Август | Сентябрь | Октябрь | Ноябрь | Декабрь | Год  |
|--------|--------|---------|------|--------|-----|------|------|--------|----------|---------|--------|---------|------|
| Неделя | 01     | 05      | 09   | 14     | 18  | 22   | 27   | 31     | 36       | 40      | 44     | 49      | 2015 |
|        | 02     | 06      | 10   | 15     | 19  | 23   | 28   | 32     | 37       | 41      | 45     | 50      |      |
|        | 03     | 07      | 11   | 16     | 20  | 24   | 29   | 33     | 38       | 42      | 46     | 51      |      |
|        | 04     | 08      | 12   | 17     | 21  | 25   | 30   | 34     | 39       | 43      | 47     | 52      |      |
|        | 05     | 09      | 13   | 18     | 22  | 26   | 31   | 35     | 40       | 44      | 48     | 53      |      |
|        |        |         | 14   |        |     | 27   |      |        |          |         |        |         |      |

- EN
- FR
- DE
- ES
- IT
- NL
- PT
- DA
- SV
- FI
- NO
- RU**
- PL
- CS
- HU
- RO
- LV
- LT
- ET
- HR
- SL
- SK
- BG
- UK
- TR
- EL



Bezpieczeństwo, efektywność i niezawodność były czynnikami o najwyższym priorytecie w trakcie projektowania Państwa ukończonego.

## PRZEZNACZENIE

Ukończone przeznaczone jest do cięcia drewna litego i płyt wiórowych z fornirem i bez, tworzyw sztucznych oraz materiałów drewnopodobnych.

Produkt przeznaczony jest dla dorosłych operatorów, którzy zapoznali się z instrukcją obsługi oraz rozumieją źródła ryzyka i zagrożenia.

Podstawę produktu należy przymocować do mocnego blatu stołu. Jeśli podstawa nie jest dobrze zamocowana, cała maszyna może poruszyć się podczas cięcia, co zwiększa ryzyko poważnych urazów ciała.

Produkt przeznaczony jest do wykonywania cięć ukośnych i fazowań. Parametry poszczególnych cięć zamieszczono w specyfikacji produktu w tej instrukcji.

Produktu należy używać w miejscu suchym, doskonale oświetlonym i wystarczająco wentylowanym.

Produkt jest przeznaczony do zastosowań konsumenckich i powinien być używany wyłącznie zgodnie z wyżej podaną instrukcją; produkt nie jest przeznaczony do żadnego innego celu.

## OGÓLNE ZASADY BEZPIECZEŃSTWA DOTYCZĄCE URZĄDZEŃ ELEKTRYCZNYCH

### ⚠ OSTRZEŻENIE

Prosimy o uważne zapoznanie się z ostrzeżeniami, instrukcjami i specyfikacjami dostarczonymi z tym narzędziem oraz z zawartymi w nich ilustracjami. Nie przestrzeganie przedstawionych niżej zaleceń mogłoby pociągnąć za sobą wypadki takie jak pożary, porażenia prądem elektrycznym i/lub poważne obrażenia ciała.

Zachowaj wszystkie ostrzeżenia i instrukcje do wykorzystania w przyszłości. Określenie „elektronarzędzie” w ostrzeżeniach oznacza zasilane z sieci (przewodowe) elektronarzędzie lub zasilane akumulatorem (beprzewodowe) elektronarzędzie.

## BEZPIECZEŃSTWO MIEJSCA PRACY

- **Miejsce pracy musi być utrzymywane w czystości i dobrze oświetlone.** „Zagrażone” i słabo oświetlone miejsca pracy to częsta przyczyna wypadków.
- **Nie używać elektronarzędzi w atmosferze wybuchowej, np. w obecności łatwopalnych cieczy, gazów i pyłów.** Elektronarzędzia wytwarzają iskry, co może spowodować zapłon pyłu lub oparów.
- **Podczas używania narzędzi elektrycznych należy utrzymywać osoby postronne i dzieci z dala od miejsca pracy.** Utrata koncentracji może spowodować utratę kontroli nad urządzeniem.

## BEZPIECZEŃSTWO ELEKTRYCZNE

- **Wtyczki zasilania elektronarzędzi muszą pasować do gniazd sieciowych. Nie wolno modyfikować wtyczek w żaden sposób. Nie wolno**

**używać żadnych przejściówek do podłączania elektronarzędzi posiadających przewód zasilania z uziemieniem.** Stosowanie oryginalnych wtyczek i dopasowanych gniazd sieciowych zmniejsza ryzyko porażenia prądem.

- **Unikać kontaktu ciała z ziemią lub uziemioną powierzchnią (rury, instalacje grzewcze i chłodnicze).** Kontakt ciała z masą lub uziemieniem zwiększa ryzyko porażenia prądem.
- **Nie narażać elektronarzędzi na działanie deszczu lub wody.** Woda dostająca się do elektronarzędzia stwarza zagrożenie porażenia prądem.
- **Nie rozciągać nadmiernie przewodu. Nie wolno używać przewodu zasilania do przenoszenia, ciągnięcia urządzenia lub jego odłączania z gniazda sieciowego. Przewód zasilania należy trzymać z dala od oleju, ostrych krawędzi lub ruchomych części.** Uszkodzony lub zaplątany przewód elektryczny zwiększa ryzyko porażenia prądem.
- **W przypadku używania urządzenia na zewnątrz, ewentualne przedłużacze muszą być do tego przystosowane.** Zastosowanie przedłużacza przystosowanego do warunków zewnętrznych zmniejsza ryzyko porażenia prądem.
- **Jeśli nie można uniknąć użytkowania urządzenia elektrycznego w warunkach wilgotnych, należy je zasilac z obwodu zabezpieczonego wyłącznikiem różnicowo-prądowym (RCD).** Zastosowanie takiego wyłącznika pozwala zmniejszyć ryzyko porażenia prądem elektrycznym.

## BEZPIECZEŃSTWO OSOBISTE

- **Należy obserwować miejsce pracy, skupić się na wykonywanych czynnościach i rozsądnie obchodzić się z narzędziem. Nie używać tego narzędzia w stanie zmęczenia, będąc pod wpływem narkotyków, alkoholu lub leków.** Chwila nieuwagi podczas obsługi elektronarzędzi może spowodować poważne obrażenia ciała.
- **Stosować środki ochrony osobistej. Zawsze nosić okulary ochronne.** Zastosowanie w odpowiednich warunkach sprzętu ochronnego, takiego jak maska przeciwpyłowa, bezpieczne buty antypoślizgowe, kask czy ochronniki słuchu, umożliwiają zapobieżenie obrażeniom.
- **Unikać możliwości przypadkowego uruchomienia urządzenia. Przed podłączeniem do źródła zasilania i/lub akumulatora bądź przystąpieniem do podnoszenia lub przenoszenia produktu upewnić się, że wyłącznik znajduje się w położeniu oznaczającym wyłączenie.** Przenoszenie produktów z napędem z palcem na przełączniku bądź podłączanie do zasilania produktów z przełącznikiem ustawionym w położeniu oznaczającym włączenie zwiększa prawdopodobieństwo wypadków.
- **Usunąć wszelkie narzędzia i klucze przed włączeniem zasilania.** Uruchomienie urządzenia z kluczem lub innym narzędziem założonym na ruchomym elemencie grozi poważnym wypadkiem.
- **Nie sięgać zbyt daleko. Należy cały czas pewnie opierać stopy i utrzymywać równowagę.**





Zapewni to lepsze panowanie nad urządzeniem w nieprzewidzianych sytuacjach.

- **Należy zakładać odpowiednią odzież ochronną. Nie zakładać luźnego ubioru ani biżuterii. Włosy i luźne fragmenty odzieży należy trzymać z dala od ruchomych części.** Luźna odzież, biżuteria lub długie włosy mogą zostać wciągnięte przez ruchome części.
- **Jeśli zapewniony został osprzęt do odprowadzania pyłu, należy upewnić się, że jest on podłączony i należyście stosowany.** Zastosowanie odprowadzenia pyłu może ograniczyć zagrożenia związane z pyłem.
- **Nie należy dopuszczać do tego, aby wcześniejsza znajomość obsługi podobnych narzędzi doprowadziła do ignorowania zasad bezpiecznego posługiwania się narzędziem.** Nieostrożne postępowanie może w ułamku sekundy doprowadzić do poważnych obrażeń.

#### UŻYTKOWANIE I KONSERWACJA URZĄDZEŃ ELEKTRYCZNYCH

- **Nie używać siły podczas obsługi narzędzia. Należy stosować odpowiedni produkt do danego zastosowania.** Odpowiedni produkt będzie najwydajniejszy i najbezpieczniejszy w obsłudze, jeśli będzie używany zgodnie z przeznaczeniem.
- **Nie wolno używać tego urządzenia, jeśli wyłącznik nie pracuje poprawnie.** Używanie urządzenia bez sprawnego wyłącznika jest zbyt niebezpieczne – należy oddać je do naprawy.
- **Przed przystąpieniem do regulacji lub wymiany akcesoriów bądź przed rozpoczęciem przechowywania należy odłączyć wtyczkę od źródła zasilania i/lub (o ile jest to możliwe) odłączyć akumulator od narzędzia z napędem.** Takie zapobiegawcze środki ostrożności ograniczają zagrożenie przypadkowym włączeniem produktu.
- **Nieużywane urządzenia należy przechowywać poza zasięgiem dzieci. Nie wolno zezwalać osobom nie obeznanym z obsługą urządzeń elektrycznych na ich używanie.** Urządzenia elektryczne mogą być niebezpieczne w rękach osób nie posiadających odpowiedniego przygotowania.
- **Narzędzia z napędem i akcesoria należy utrzymywać w dobrym stanie technicznym. Sprawdzić, czy ruchome części są dobrze dopasowane i zamocowane, czy nie są uszkodzone. Należy również uwzględnić inne okoliczności, które mogą mieć wpływ na pracę narzędzia. W razie uszkodzenia przed kolejnym uruchomieniem należy przeprowadzić czynności naprawcze narzędzia.** Wiele wypadków jest spowodowanych przez nieprawidłowo serwisowane narzędzia.
- **Należy dbać o to, aby narzędzia tnące były zawsze ostre i czyste.** Należy je konserwować i naostrzone narzędzia tnące rzadziej się zakleszczają, a ponadto zapewniają lepszą kontrolę.
- **Używać produktu, akcesoriów, narzędzi itp. zgodnie z niniejszymi zaleceniami, uwzględniając warunki pracy oraz charakter zadań do wykonania.** Używanie narzędzi w sposób niezgodny z ich przeznaczeniem jest niebezpieczne.

- **Należy dbać o to, aby uchwyty i powierzchnie chwytne były zawsze suche, czyste i niezatłuszczone.** Śliskie uchwyty i powierzchnie chwytne nie umożliwiają bezpiecznego manipulowania narzędziem i kontrolowania go w nieoczekiwanych sytuacjach.

#### EKSPLOATACJA I KONSERWACJA NARZĘDZI AKUMULATOROWYCH

- **Akumulatory należy ładować wyłącznie za pomocą ładowarki określonej przez producenta.** Nawet jeśli ładowarka pasuje do danego akumulatora, to użycie jej do ładowania innego akumulatora może grozić pożarem.
  - **Z narzędziami z napędem należy stosować wyłącznie specjalnie wyznaczone akumulatory.** Stosowanie jakichkolwiek innych akumulatorów może stwarzać ryzyko obrażeń i pożaru.
  - **Gdy akumulator nie jest używany, przechowywać go z dala od innych metalowych przedmiotów, np. spinaczy, monet, kluczy, gwoździ, śrub lub innych małych metalowych przedmiotów, które mogłyby utworzyć połączenie między stykami, prowadząc do zwarcia.** Zwarcie biegunów akumulatora może spowodować oparzenia lub pożar.
  - **W trudnych warunkach może dojść do wyrzutu cieczy z akumulatora; należy unikać kontaktu.** Jeżeli dojdzie do przypadkowego kontaktu, splukać wodą. Jeśli ciecz przedostanie się do oczu, oprócz tego zasięgnąć porady lekarza. Ciecz, która wydostała się z akumulatora, może powodować podrażnienia lub oparzenia.
  - **Nie stosować uszkodzonych ani zmodyfikowanych akumulatorów i narzędzi.** Uszkodzone lub zmodyfikowane akumulatory mogą zachowywać się w sposób nieprzewidywalny, co może prowadzić do pożaru, wybuchu lub ryzyka obrażeń.
  - **Nie narażać akumulatora lub narzędzia na działanie ognia lub zbyt wysokich temperatur.** Narażenie na działanie ognia lub temperatury powyżej 130°C może spowodować wybuch.
  - **Przestrzegać wszystkich instrukcji ładowania i nie ładować akumulatora ani narzędzia poza podanym w instrukcji zakresem temperatur.** Ładowanie w niewłaściwy sposób lub w temperaturze poza określonym zakresem może doprowadzić do uszkodzenia akumulatora i wzrostu zagrożenia pożarowego.
- #### SERWIS
- **Urządzenie elektryczne powinno być naprawiane przez wykwalifikowany personel, z zastosowaniem identycznych części zamiennych.** Dzięki temu zapewnione będzie bezpieczeństwo użytkownika urządzenia.
  - **Nigdy nie serwisować uszkodzonych akumulatorów.** Serwisowaniem akumulatorów powinien zajmować się wyłącznie producent lub autoryzowany serwis.



## INSTRUKCJE BEZPIECZEŃSTWA DOTYCZĄCE UKOŚNICY

- **Ukośnice** przeznaczone są do cięcia drewna lub produktów przypominających drewno — nie można ich używać z przeznaczonymi do cięcia tarczami ściernymi w celu cięcia materiałów żelaznych, takich jak pręty, kołki itp. Pył powstający w trakcie ścierania powoduje zakleszczanie się części ruchomych, takich jak dolna osłona. Iskry powstające w trakcie cięcia ściernego powodują opalenie dolnej osłony, wkładki oraz innych części z tworzyw sztucznych.
- Jeśli jest to możliwe, należy przemocować obrabiany przedmiot zaciskami. W przypadku podtrzymywania elementu obrabianego dłonią należy zawsze utrzymywać odległość 100 mm między dłonią a najbliższą powierzchnią tarczy tnącej. Nie stosować ukośnicy do cięcia przedmiotów, które są zbyt małe, by można je było bezpiecznie zamocować lub trzymać dłonią. Jeśli dłoń użytkownika znajdzie się zbyt blisko tarczy, wystąpi zwiększone ryzyko urazu spowodowanego kontaktem z ostrzem.
- Element obrabiany musi być nieruchomy i zamocowany bądź dociskany ręcznie zarówno do ogranicznika, jak i do stołu. Nie dopychać elementu obrabianego do tarczy ani nie ciąć go, trzymając wyłącznie w dłoni, niezależnie od orientacji elementu. Ruchome lub niedociśnięte do właściwych powierzchni ograniczających elementy obrabiane mogą być wyrzucane z dużą prędkością, co może powodować obrażenia.
- Przepchnąć tarczę przez element obrabiany. Nie ciągnąć tarczy przez element obrabiany. W celu wykonania cięcia podnieść głowicę ukośnicy i przemieścić ją nad element obrabiany bez cięcia, uruchomić silnik, docisnąć głowicę ukośnicy w dół, a następnie przepchnąć ją przez element obrabiany. Ciągnięcie głowicy w trakcie cięcia może spowodować ruch tarczy w kierunku górnej części elementu obrabianego i gwałtowne wyrzucenie zespołu tarczy w kierunku operatora.
- Nigdy nie przemieszczać dłoni nad planowaną linią cięcia — ani przed tarczą, ani za nią. Podtrzymywanie elementu obrabianego „na krzyż”, tj. trzymanie elementu obrabianego po prawej stronie tarczy lewą ręką bądź vice versa, jest bardzo niebezpieczne.
- Gdy tarcza się obraca, nie sięgać za ogranicznik żadną z dłoni, zbliżając się bliżej niż 100 mm z dowolnej strony tarczy w celu usunięcia resztek drewna lub z jakiegokolwiek innego powodu. Niewielka odległość między obracającą się tarczą a dłonią może nie być oczywista, co może prowadzić do poważnych obrażeń.
- Przed przystąpieniem do cięcia należy sprawdzić obrabiany element. Jeśli obrabiany element jest wygięty lub wypaczony, zamocować go tak, by zewnętrzna, wygięta powierzchnia znajdowała się przy ograniczniku. Zawsze upewnić się, że pomiędzy obrabianym elementem, ogranicznikiem i stołem nie ma szczeliny wzdłuż linii cięcia. Wygięte

lub wypaczone elementy obrabiane mogą się obracać lub przesuwać, co może skutkować zakleszczaniem obracającej się tarczy w trakcie cięcia. W elemencie obrabianym nie powinny znajdować się żadne gwoździe ani inne przedmioty.

- **Nie rozpoczynać korzystania z ukośnicy, dopóki ze stołu nie zostaną usunięte wszelkie narzędzia, fragmenty drewna itp.** Niewielkie pozostałości lub luźne fragmenty drewna bądź inne przedmioty mające kontakt z obracającą się tarczą mogą być wyrzucane z dużą prędkością.
- **Należy ciąć tylko jeden element naraz.** Ułożone na sobie elementy obrabiane nie mogą zostać odpowiednio zamocowane, a tym samym mogą zakleszczać się lub przesuwać w trakcie cięcia.
- **Przed rozpoczęciem korzystania z ukośnicy należy upewnić się, że jest ona zamontowana lub umieszczona na poziomej, nieruchomej powierzchni roboczej.** Pozioma, nieruchoma powierzchnia robocza ogranicza ryzyko utraty stabilności przez produkt.
- **Przewidziane prace należy dobrze zaplanować. Po każdej zmianie kąta cięcia w którejkolwiek z płaszczyzn należy upewnić się, że regulowany ogranicznik jest prawidłowo ustawiony, tak by podparł element obrabiany i nie kolidował z tarczą lub systemem osłon.** Bez włączenia narzędzia i umieszczenia elementu obrabianego na stole przesunąć tarczę przez cały planowany tor ruchu, aby upewnić się, że nie znajdują się na nim żadne przeszkody, jak również że nie występuje zagrożenie przecięciem ogranicznika.
- **Jeżeli obrabiany element jest szerszy lub dłuższy niż blat stołu, należy zapewnić mu odpowiednie podparcie, takie jak przedłużenia stołu, koźły do piłowania itp.** Elementy obrabiane dłuższe lub szersze od blatu stołu, na którym znajduje się ukośnica, mogą się przechylić, jeśli nie zostaną odpowiednio podparte. Jeśli element odcinany lub obrabiany przechylił się, może to spowodować podniesienie lub odrzucenie dolnej osłony przez obracającą się tarczę.
- **Nie należy wykorzystywać innej osoby w celu przedłużenia stołu lub zapewnienia dodatkowego podparcia.** Niestabilne podparcie elementu obrabianego może spowodować zakleszczenie tarczy lub przesunięcie się elementu obrabianego w trakcie cięcia, co może skutkować pociągnięciem zarówno operatora, jak i pomocnika na stronę obracającej się tarczy.
- **Nie należy dopuszczać do zakleszczenia się elementu obrabianego na obracającej się tarczy, a ponadto nie należy go do niej dociskać.** W przypadku zastosowania ograniczników długości lub innych elementów ograniczających przemieszczanie element odcinany może zakleszczyć się na tarczy i zostać gwałtownie wyrzucony.
- **Zawsze stosować zacisk lub inne zamocowanie, którego konstrukcja umożliwi należyte podparcie elementów okrągłych, takich jak pręty czy rury.** Pręty mają tendencję do toczenia się w trakcie cięcia, co skutkuje „chwytaniem” elementu obrabianego przez tarczę i ciągnięciem go wraz z dłonią operatora w



stronę tarczy.

- **Przed przyłożeniem tarczy do obrabianego elementu należy poczekać, aż osiągnie ona pełną prędkość.** Spowoduje to ograniczenie ryzyka wyrzucenia elementu obrabianego.
- **Jeżeli obrabiany przedmiot lub tarcza zakleszczą się, wyłączyć ukośnicę. Należy poczekać, aż wszystkie poruszające się części zatrzymają się, i wyjąć wtyczkę z gniazda i/lub wymontować akumulator. Następnie należy uwolnić zakleszczony element.** Kontynuacja cięcia mimo zakleszczenia elementu obrabianego może spowodować utratę kontroli lub uszkodzenie ukośnicy.
- **Po zakończeniu cięcia należy zwolnić przełącznik, opuścić głowicę tnącą i poczekać, aż tarcza zatrzyma się — następnie można usunąć odcięty fragment.** Zbliżanie dłoni do tarczy, która jeszcze nie zahamowała, jest niebezpieczne.

### INSTRUKCJE BEZPIECZEŃSTWA DOTYCZĄCE OSTRZA DO DREWNA

- Przed rozpoczęciem korzystania z tarczy i produktu należy dokładnie zapoznać się z podręcznikiem oraz instrukcjami.
- Narzędzie z napędem musi znajdować się w dobrym stanie, a trzpień obrotowy nie może być zdeformowany ani wpaść w wibracje.
- Nie stosować produktu bez zamontowanych osłon. Należy zadbać o prawidłowe konserwowanie i działanie osłon.
- Upewnić się, że operator posiada odpowiednie przeszkolenie w zakresie środków ostrożności, regulacji oraz obsługi produktu.
- W trakcie pracy z produktem zawsze nosić okulary ochronne oraz ochronniki słuchu. Zalecane jest także noszenie rękawic, mocnego, nie ślizgającego się obuwia oraz ubrania roboczego.
- Przed użyciem jakichkolwiek akcesoriów należy zapoznać się z instrukcją obsługi. Niewłaściwe stosowanie akcesoriów może prowadzić do uszkodzeń oraz zwiększać prawdopodobieństwo uszczerbku na zdrowiu.
- Stosować wyłącznie ostrza wyszczególnione w tym materiale, zgodne z EN 847-1.
- Należy przestrzegać ograniczenia maksymalnej prędkości dot. ostrza piły. Należy upewnić się, że prędkość podana na ostrzu piły jest przynajmniej taka sama jak prędkość podana na pile.
- Używajcie zawsze tarcz o wymiarze i kształcie dostosowanym do otworu mocującego wrzeciona. Tarcze tnące nie dostosowane do wrzeciona, na którym mają być zamontowane nie będą się naleźycie obracały i mogą spowodować utratę kontroli nad narzędziem.
- Nie używać ostrzy o większej lub mniejszej średnicy od zalecanej średnicy ostrza. Nie stosować żadnych przekładek/podkładek, aby umożliwić dopasowanie wrzeciona.
- Przed każdym użyciem należy sprawdzić końcówki tarczy pilarki pod kątem braku uszkodzeń lub

nietypowego wyglądu. Uszkodzone lub luźne końcówki mogą odrywać się w trakcie pracy, co z kolei może prowadzić do poważnych urazów.

- Nie używać pękniętych lub zniekształconych brzeszczotów! Nie używać brzeszczotów/tarcz, które są zniekształcone lub uszkodzone.
- Tarczę pilarki należy wyrzucić na złom w przypadku gdy dojdzie do jej uszkodzenia, odkształcenia lub pęknięcia. Naprawianie tarczy jest niedopuszczalne.
- Nie stosować ostrzy HSS.
- Przed rozpoczęciem pracy upewnić się, że tarcza jest prawidłowo zamontowana, a także dokładnie dokręcić nakrętkę osi.
- Śrubę mocującą oraz nakrętki należy dokręcić odpowiednim kluczem maszynowym itp.
- Zabrania się stosowania przedłużaczy kluczy lub dokręcania poprzez uderzenie młotkiem.
- Wszystkie ostrza i krawędzie maszyny muszą być czyste, a wypuszczone strony kołnierza muszą być skierowane w stronę ostrza.
- Sprawdzić, czy ostrza obracając się w odpowiednim kierunku.
- Przed pracą należy wykonać próbne cięcie przy włączonym silniku w celu sprawdzenia położenia ostrza, działania osłon w stosunku do innych części maszyny oraz obrabianego elementu.
- Nigdy nie pozostawiać produktu bez nadzoru.
- Nie aplikować smarów na obracające się ostrze.
- Nie wolno wykonywać czyszczenia ani konserwacji, gdy maszyna nadal działa, a głowica nie znajduje się w położeniu spoczynkowym.
- Nie próbować zatrzymać maszyny będącej w ruchu, poprzez przykładanie narzędzia lub innego przedmiotu do ostrza; w ten sposób może dojść do poważnych obrażeń ciała.
- Przed przystąpieniem do wymiany tarczy lub prac konserwacyjnych odłączyć produkt od źródła zasilania lub wymontować akumulator.
- Należy zachować ostrożność podczas pakowania i rozpakowywania ostrza. Ostrze zęby ostrza mogą spowodować obrażenia ciała.
- Podczas obsługi ostrza należy stosować uchwyt lub nosić rękawice ochronne.
- Ostrze należy przechowywać w oryginalnym opakowaniu lub innym odpowiednim opakowaniu, przechowywać w suchych warunkach oraz z dala od środków chemicznych, które mogą spowodować uszkodzenie ostrza.

### DODATKOWE OSTRZEŻENIA BEZPIECZEŃSTWA

- Zawsze należy mocno i pewnie zamocować obrabiany element.
- Upewnić się, czy maszyna jest zawsze pewnie osadzona (np. zamocowana na stole warsztatowym).
- Stosować środki ochrony słuchu! Narażenie na hałas może spowodować utratę słuchu.
- W trakcie pracy z produktem zawsze nosić okulary ochronne. Zalecane jest noszenie rękawic podczas

|           |
|-----------|
| EN        |
| FR        |
| DE        |
| ES        |
| IT        |
| NL        |
| PT        |
| DA        |
| SV        |
| FI        |
| NO        |
| RU        |
| <b>PL</b> |
| CS        |
| RO        |
| HU        |
| LV        |
| LT        |
| ET        |
| HR        |
| SL        |
| SK        |
| BG        |
| UK        |
| TR        |
| EL        |



obsługi ostrzy i szorstkich materiałów, oraz solidnych butów z podeszwą antypoślizgową, aby zabezpieczyć stopy przed upadkiem obrabianych elementów z miejsca cięcia.

- Przed przystąpieniem do prac konserwacyjnych lub czyszczenia produktu odłączyć produkt od źródła zasilania lub wymontować akumulator.
- Akumulator należy montować wyłącznie wówczas, gdy produkt jest wyłączony.
- Nigdy nie wolno sięgać w pobliże ostrza, które jeszcze się nie zatrzymało.
- Przed rozpoczęciem użytkowania dokładnie sprawdzić produkt i akumulator pod kątem wszelkich uszkodzeń i zmęczenia materiału. Naprawy całego produktu należy powierzać wyłącznie autoryzowanemu serwisowi.
- Zawsze stosować osłony produktu. Nie używać produktu, jeśli osłony nie są założone lub nie działają prawidłowo.
- Niższą osłonę tarczy należy otwierać wyłącznie gdy tarcza zostanie opuszczona na cięty element — zawsze musi istnieć możliwość jej swobodnego przemieszczania i automatycznego zamykania.
- Zawsze stosować i mocować pręty przedłużające w celu podparcia elementu obrabianego w trakcie pracy z produktem.
- Nigdy nie modyfikować produktu ani jego funkcji. Może dojść do obniżenia poziomu bezpieczeństwa użytkownika.
- Nie należy używać ostrzy piły, które są popękane, uszkodzone lub zdeformowane.
- Nie używać brzeszczotów wykonanych ze stali szybko tnącej.
- Należy wyłącznie używać ostrych ostrzy. Wymienić tępe ostrza.
- Używajcie zawsze tarcz o wymiarze i kształcie dostosowanym do otworu mocującego wrzeciona. Tarcze tnące nie dostosowane do wrzeciona, na którym mają być zamontowane nie będą się naleźycie obracały i mogą spowodować utratę kontroli nad narzędziem.
- Stosować wyłącznie opisane w niniejszym podręczniku tarcze do cięcia drewna zgodne z normą EN 847-1.
- Nie używać żadnych kołnierzy, podkładek i nakrętek do mocowania ostrza piły, z wyjątkiem części dostarczonych lub wskazanych w podręczniku użytkownika.
- Brzeszczot należy dobrać odpowiednio do ciętego materiału. Nigdy nie stosować produktu do cięcia materiałów innych niż wyszczególnione w rozdziale niniejszej instrukcji, w którym opisano przeznaczenie produktu.
- Należy unikać przegrzewania się ostrza oraz topienia tworzywa sztucznego w trakcie cięcia.
- Konieczne jest przestrzeganie podanej na tarczy prędkości maksymalnej — należy również stosować wyłącznie tarcze, na których podano prędkość co najmniej równą prędkości podanej na narzędziu.
- Wymienić wkład stołu, jeśli jest zużyty lub uszkodzony.
- Przed pracą należy wykonać próbne cięcie przy włączonym silniku w celu sprawdzenia położenia

ostrza, działania osłon w stosunku do innych części maszyny oraz obrabianego elementu.

- W trakcie wykonywania cięć skośnych lub złożonych cięć skośnych należy regulować ogranicznik przesuwny lub jego część składową, aby zapewnić właściwy odstęp od tarczy.
- W trakcie transportowania produktu blokada uchwytu musi być zawsze zablokowana.
- Podłogę należy utrzymywać w czystości, usuwając luźne odpadki, jak np. wióry i odcięte elementy.
- Nie wolno usuwać żadnych pozostałości po cięciu lub innych części przedmiotów obrabianych gdy maszyna pracuje a głowica piły nie znajduje się w położeniu spoczynkowym.
- Długie przedmioty obrabiane należy odpowiednio podeprzeć. Obszar pracy piły obejmuje cały obszar obrabianego elementu. Operator powinien zabezpieczyć ten obszar przed przypadkowym zetknięciem z innymi osobami lub obiektami, które mogą poruszyć obrabiany element podczas pracy.
- Pył wytwarzany podczas korzystania z produktu może być niebezpieczny dla zdrowia. Należy stosować instalację odpylania oraz nosić odpowiednią maskę przeciwpyłową. Usuń dokładnie pył, np. odkurzaczem.
- Nie wymieniać lasera na laser innego typu. Wszelkie naprawy muszą być wykonywane wyłącznie przez producenta lub autoryzowany serwis.
- Zakres temperatury otoczenia dla narzędzia podczas eksploatacji to od 0°C do 40°C.
- Zakres temperatury otoczenia dla narzędzia podczas przechowywania to od 0°C do 40°C.
- Zalecany zakres temperatury otoczenia dla układu ładującego podczas ładowania to od 10°C do 38°C.

#### TRANSPORTOWANIE AKUMULATORÓW LITOWYCH

Akumulatory należy transportować zgodnie z lokalnymi i krajowymi przepisami i regulacjami.

Należy postępować zgodnie z wszystkimi specjalnymi wymaganiami dotyczącymi pakowania i etykietowania akumulatorów podczas transportu przez stronę trzecią. Upewnij się, że żadne akumulatory nie zetkną się z innymi akumulatorami lub materiałami przewodzącymi podczas transportu. W tym celu należy zabezpieczyć odkryte złącza nieprzewodzącymi nakładkami izolacyjnymi lub taśmą izolacyjną. Nie należy transportować pękniętych ani nieszczelnych akumulatorów. Szczegółowe porady można uzyskać w firmie spedycyjnej.



## AKUMULATOR — DODATKOWE OSTRZEŻENIA DOTYCZĄCE BEZPIECZEŃSTWA

### ⚠ OSTRZEŻENIE

Aby uniknąć niebezpieczeństwa pożaru, obrażeń lub uszkodzeń produktu na skutek zwarcia, nie wolno zanurzać narzędzia, akumulatora wymiennego ani ładowarki w cieczach i należy zatroszczyć się o to, aby do urządzeń i akumulatorów nie dostały się żadne ciecz. Zwarcie spowodować mogą korodujące lub przewodzące cieczce, takie jak woda morska, określone chemikalia i wybielacze lub produkty zawierające wybielacze.

- Zakres temperatury otoczenia dla akumulatora podczas eksploatacji to od 0°C do 40°C.
- Zakres temperatury otoczenia dla akumulatora podczas przechowywania to od 0°C do 20°C.

## BEZPIECZEŃSTWO DOTYCZĄCE LASERA

- Zastosowany w urządzeniu laser to urządzenie klasy II o mocy  $\leq 1\text{mW}$  i długości fali 650 nm. Nie wolno patrzeć bezpośrednio w wiązkę lasera. Nieprzestrzeganie zasad może spowodować poważne obrażenia ciała.
- Nie patrzeć bezpośrednio w wiązkę lasera podczas pracy.
- Nie kierować lasera w stronę oczu osób postronnych. Groziłoby to poważnym uszkodzeniem wzroku.
- Nie umieszczają lasera w sposób pozwalający na świadome lub nieświadome skierowanie wzroku bezpośrednio na promień lasera.
- Nie używać przyrządów optycznych w celu podglądu wiązki lasera.
- Nie używać lasera w pobliżu dzieci ani nie zezwalać dzieciom na jego używanie.
- Nie wolno próbować samodzielnie naprawiać lasera.
- Nie próbować samodzielnie zmieniać żadnych części urządzenia laserowego.
- Naprawy należy powierzyć wyspecjalizowanemu serwisowi lub producentowi lasera.
- Nie wymieniać lasera na laser innego typu.

## RYZYKO ZWIĄZANE Z UŻYTKOWANIEM

Nawet jeśli produkt jest używany zgodnie z zaleceniami, nadal nie jest możliwe wyeliminowanie określonych czynników ryzyka. Następujące zagrożenia mogą wystąpić podczas używania urządzenia i operator powinien zwracać szczególną uwagę na poniższe punkty:

- Występuje ryzyko kontaktu z nieosłoniętymi częściami obracającego się ostrza piły.
- Odrzut obrabianego przedmiotu i jego części z powodu niewłaściwej obsługi.
- Odrzut z dużą siłą odłamków węglkowych z tarczy tnącej.
- Uszkodzenie układu oddechowego.

**UWAGA:** Należy nosić maskę ochronną z filtrem odpowiednim do obrabianego materiału. Należy

zapewnić odpowiednią wentylację miejsca pracy. Nie jeść, nie pić i nie palić w miejscu pracy.

- Uszkodzenie słuchu w przypadku braku odpowiednich środków ochrony słuchu.

### ⚠ OSTRZEŻENIE

Pył z określonych farb, powłok oraz materiałów może powodować podrażnienie lub reakcje alergiczne układu oddechowego. Pył z drzew takich jak dąb, brzoza, z płyt MDF itp. jest rakotwórczy. Materiał zawierający azbest może być obsługiwany wyłącznie przez specjalnie wykwalifikowanych operatorów.

### ⚠ OSTRZEŻENIE

Długotrwale użytkowanie narzędzia może spowodować obrażenia ciała lub nasilić dolegliwości zdrowotne. W przypadku używania narzędzia przed dłuższy czas należy pamiętać o regularnych przerwach.

## INFORMACJE O PRODUKCIE

*Patrz strona 215.*

1. Uchwyt, izolowana powierzchnia chwytana
2. Włącznik zasilania
3. Uchwyt blokady zabezpieczającej
4. Górna osłona tarczy
5. Tarcza tnąca
6. Dolna osłona tarczy
7. Główna prowadnica
8. Stół obrotowy
9. Podstawa
10. Wkład stołu
11. Uchwyt blokady stołu obrotowego
12. Wyważenie stóp
13. Belka przeciwprzechyłowa
14. Przełącznik lasera
15. Uchwyt górny, izolowana powierzchnia chwytana
16. Kołnierz
17. Ogranicznik wspornika
18. Dźwignia blokady kąta cięcia skośnego
19. Zacisk
20. Przesuwany ogranicznik
21. Otwór montażowy
22. Wysuwana przedłużka
23. Śruby do mocowania ogranicznika głównego
24. Przycisk blokady wrzeciona
25. Bateria
26. Worek na piły
27. Pokrętko regulacji głębokości cięcia
28. Ogranicznik maksymalnej głębokości cięcia
29. Pokrętko ogranicznika pręta liniowego
30. Śruby do regulacji ogranicznika limitu kąta pochylenia
31. Klucz do śrub sześciokątnych

## OBSŁUGA

Produkt jest wyposażony w ruchome ostrze piły, które można ustawić pod różnymi kątami w celu cięcia obrabianych elementów, które są pewnie przymocowane do podstawy produktu. Produkt może być obsługiwany



wyłącznie przez jedną osobę, aby nie dopuścić do przypadkowego kontaktu z obracającym się ostrzem piły.

Oto zasady bezpiecznej obsługi produktu:

- Piłę, ostrza oraz miejsce pracy należy utrzymywać w dobrym stanie.
- Zamocować podstawę ukośnicy do solidnego stołu roboczego. Produkt może się poruszyć i przewrócić, jeśli nie jest dobrze zamocowany.
- Przed cięciem należy ustawić i zablokować kąty cięcia.
- Zamocować obrabiany element do podstawy ukośnicy. Należy użyć dostarczonego zacisku i w razie potrzeby użyć dodatkowych zacisków lub mechanizmów mocujących, aby nie dopuścić do niezamierzonego przemieszczenia obrabianego elementu podczas cięcia.
  - Należy sprawdzić, czy działanie osłon ostrza nie jest ograniczone przez położenie obrabianego elementu.
  - Należy upewnić się, że prowadnica i inne części produktu nie zostaną przecięte po obniżeniu ostrza do pozycji cięcia.
- Uruchomić silnik i pozostawić ostrze w górnym położeniu, aby ostrze osiągnęło pełną prędkość; następnie powoli opuścić ostrze na obrabiany element. W razie potrzeby przesunąć zespół tarczy w tył, aby dokończyć cięcie.
- Należy unieść zespół ostrza do górnego położenia, gdzie osłony ostrza są całkowicie zamknięte. Wyłączyć silnik i odczekać, aż ostrze całkowicie się zatrzyma przed wyjęciem obrabianego elementu lub pozostałości albo przed dotarciem do obszaru ostrza.

Przed pierwszym użyciem należy upewnić się, że kąt pochylenia lub kątowy ustawiony na produkcie jest zgodny z kątem uzyskanym na obrabianym elemencie. Należy sprawdzić to na niepotrzebnym kawałku drewna przy użyciu zestawu ciesielskiego lub kątownika ukośnicy.

#### **⚠ OSTRZEŻENIE**

Producent zdecydowanie zaleca, aby produkt zawsze był dobrze przymocowany do blatu stołu.

Gdy podstawa produktu jest przymocowana do stołu warsztatowego czterema nakrętkami, śrubami i podkładkami zgodnie z instrukcją, produktu można używać przy maksymalnym wychyleniu w obydwu płaszczyznach bez ryzyka przewrócenia. Jeśli produkt nie jest prawidłowo zamocowany, może dojść do przewrócenia produktu w przypadku ustawienia za dużego kąta pochylenia.

Z przodu podstawy ukośnicy znajduje się przedłużka, którą należy wyciągnąć na pełną długość. Pomoże to wyeliminować ryzyko przeważenia ukośnicy.

Występuje również regulowana śruba (wyważanie stóp), która wystaje na spodzie wysuwanego stołu obrotowego. Śrubę należy wyregulować w taki sposób, aby dotykała płaskiej powierzchni, na której leży produkt. Zapobiegnie to również przeważeniu produktu w przypadku wykonywania cięcia przy pełnym wysuwie piły i pochyleniu ostrza. Uwaga, ta część stołu piły porusza się przy wyborze różnych kątów ukośnicy i w związku z tym należy często

regulować i resetować śrubę.

#### **KONSERWACJA**

- Nie należy modyfikować produktu w żaden sposób ani nie używać akcesoriów, które nie są zalecane przez producenta. Może dojść do obniżenia poziomu bezpieczeństwa użytkownika oraz innych osób.
- Nie używać produktu, jeśli dowolny przycisk, osłona lub inna funkcja nie pracują prawidłowo. Przekazać urządzenie do autoryzowanego centrum serwisowego do naprawy lub regulacji.
- Nie wykonywać żadnych regulacji, gdy ostrze piły obraca się.
- Przed przystąpieniem do regulacji, smarowania lub konserwacji zawsze upewniać się, że z produktu wyjęto akumulator.
- Przed o po każdym użyciu należy sprawdzić, czy produkt i jego części nie są uszkodzone. Produkt należy utrzymywać w najlepszej kondycji roboczej, wymieniając natychmiast części na części zamienne zatwierdzone przez producenta.
- Ostrze ma ostre krawędzie, a po zakończeniu cięcia może być gorące. W trakcie czyszczenia odsłoniętego ostrza zachować skrajną ostrożność. Nosić rękawice w celu ochrony przed urazami.
- Regularnie czyścić ukośnicę i akcesoria z pyłu — zwłaszcza części ruchome, w tym osłonę tarczy. W celu skutecznego usunięcia pyłu należy użyć ręcznej szczoteczki lub odkurzacza. Nie stosować sprężonego powietrza.
- Aby zapewnić bezpieczeństwo i niezawodność pracy, wszystkie naprawy, w tym wymiana szczotek, powinny być przeprowadzane przez autoryzowany punkt serwisowy.

#### **⚠ OSTRZEŻENIE**

Nie podejmować prób demontażu zespołu osłony tarczy w celu oczyszczenia lub naprawy. Uszkodzonych osłon nie należy używać. Należy je zwrócić do autoryzowanego serwisu w celu naprawy lub wymiany.

#### **⚠ OSTRZEŻENIE**

Aby zapewnić wyższy poziom bezpieczeństwa i niezawodności, wszystkie naprawy powinny być przeprowadzane przez autoryzowany punkt serwisowy.

#### **Kalibracja kąta cięcia ukośnego i fazowania**

Jeśli wymagana okaże się kalibracja kąta cięcia ukośnego i fazowania, należy zapoznać się z instrukcjami kalibracji zamieszczonymi na stronach 236–242.

#### **Ogranicznik maksymalnej głębokości cięcia**

Ogranicznik maksymalnej głębokości cięcia chroni ostrze piły przed kontaktem z metalową podstawą urządzenia.



## ⚠ OSTRZEŻENIE

Ogranicznik maksymalnej głębokości cięcia nie jest regulowany przez użytkownika. Nie ustawiać maksymalnego ogranicznika głębokości cięcia.

## TRANSPORT I PRZECHOWYWANIE

- Wymontować akumulator z produktu na czas przechowywania. Produkt należy przechowywać w bezpiecznym miejscu, które jest niedostępne dla dzieci.
- Przed schowaniem produktu należy wyczyścić go za pomocą szczotki lub odkurzacza.
- W przypadku zdjęcia ostrz piły lub zachowania części zamiennych z urządzeniem, należy upewnić się, że są one w oryginalnym opakowaniu, aby uniknąć urazu ciała.

### Zabezpieczenie produktu przed przeniesieniem:

- Produkt powinien być przechowywany przy zerowym stopniu odchylenia bocznego i kątownego oraz pozycje regulacji powinny być zablokowane. Przesuw powinien być zablokowany. Uchwyt należy zablokować w dolnym (bezpiecznym) położeniu z zamkniętymi osłonami
- W celu ułatwienia przenoszenia można zdemontować pręty przedłużające po jednej stronie lub po obydwu stronach.

### Przewożenie lub transport samochodem:

- Przed przeniesieniem produktu należy zamocować go, jak opisano w ty podręczniku.
- Odłączyć produkt od blatu, odkręcając 4 śruby znajdujące się w każdym rogu. Dokręcić śruby pod kątem wykorzystania w przyszłości. Podnieść produkt za pomocą górnego uchwytu.
- Do podnoszenia podstawy produktu potrzebne są dwie osoby noszące grube rękawice.
- W przypadku transportu produktu w samochodzie należy oprzeć produkt na swojej podstawie i zabezpieczyć przed poruszeniem.

## OCHRONA ŚRODOWISKA



Surowce należy oddawać do powtórnego przetworzenia zamiast wyrzucać je na śmieci. Z myślą o ochronie środowiska, narzędzie, akcesoria i opakowania powinny być sortowane.

## SYMBOLE PRODUKTU



Uwaga dotycząca bezpieczeństwa



Zgodność CE



Znak zgodności EurAsian



Ukraiński znak zgodności



Przed uruchomieniem urządzenia prosimy uważnie przeczytać instrukcję



Stosować środki ochrony słuchu



Zawsze nosić okulary ochronne.



Trzymać dłonie z dala od miejsca cięcia i tarczy tnącej.



Nie wystawiać urządzenia na działanie deszczu ani nie używać go w miejscach o dużej wilgotności.



Zakładać rękawice ochronne



Kierunek obrotu tarczy (przedstawiony na tarczy)



Kierunek obrotu ostrza (pokazany na osłonie ostrza)



Szerokość cięcia (rzazu)



Liczba zębów na tej tarczy



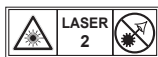
Zakres możliwości cięcia



Do cięcia drewna lub podobnych materiałów



Cięcie metali zabronione



Promieniowanie lasera.  
Nie patrzeć bezpośrednio w wiązkę lasera.  
Urządzenie laserowe klasy 2



Zużyte produkty elektryczne nie powinny być utylizowane z odpadami domowymi. Prosimy poddawać recyklingowi w odpowiednich miejscach. Informacje o właściwych metodach recyklingu można uzyskać u władz lokalnych lub sprzedawcy.

## SYMBOLE W INSTRUKCJI



Blokada



Odkręcenie uchwytu



Mechanizm blokujący nie działa



Części lub akcesoria sprzedawane oddzielnie



Uwaga



Ostrzeżenie

Poniższe symbole i nazwy które im nadano, pozwalają wyjaśnić różne poziomy ryzyka związanego z używaniem tego narzędzia.

### **NIEBEZPIECZEŃSTWO**

Oznacza bezpośrednio niebezpieczną sytuację, która, jeśli nie zostanie uniknięta, spowoduje śmierć lub poważne urazy ciała.

### **OSTRZEŻENIE**

Oznacza potencjalnie niebezpieczną sytuację, która, jeśli nie zostanie uniknięta, może spowodować śmierć lub poważne urazy ciała.

### **UWAGA**

Oznacza potencjalnie niebezpieczną sytuację, która, jeśli nie zostanie uniknięta, może spowodować niewielkie lub umiarkowane urazy ciała.

### **UWAGA**

(Bez symbolu bezpieczeństwa) Wskazuje na sytuację mogącą spowodować straty materialne.



V provedení této pokosové pily jsou nejvíce zohledněny bezpečnost, provozní vlastnosti a spolehlivost.

### ZAMÝŠLENÉ POUŽITÍ

Tato pokosová pila je určena k řezání pevného a lepeného dřeva, materiálů podobných dřevu, a to s lepenou překližkou a plasty nebo bez nich.

Výrobek je určen k používání dospělými osobami, které četly návod k použití a chápou riziko a nebezpečí s ním spojená.

Výrobek je navržen k upevnění podstavce na masivní stůl. Pokud není základna bezpečně upevněna, celý stroj se může při řezání pohybovat, což zvyšuje možnost vážného zranění.

Tato pila je určena k provádění řezů na příčný úkos a na pokos. Funkce pro různé druhy řezů jsou uvedeny v technických vlastnostech výrobku v této příručce.

Výrobek používejte v suchém prostředí s vynikajícím osvětlením a dostatečným větráním.

Produkt je určen pro spotřebitelské využití a měl by být používán pouze, jak je popsáno výše a nikoli k žádnému jinému účelu.

### OBECNÁ BEZPEČNOSTNÍ VAROVÁNÍ K POHÁNĚNÝM NÁSTROJŮM

#### ⚠ VAROVÁNÍ

**Přečtěte si pozorně upozornění, pokyny a technické specifikace dodané s nářadím a prohlédněte si ilustrace.** Nedodržení uvedených pokynů může způsobit požár, úraz elektrickým proudem a/nebo jiné vážné zranění.

Uchovejte si všechny pokyny a varování pro budoucí nahlédnutí. Termín „elektrické nářadí“ ve výstrahách odkazuje na elektrické nářadí napájené ze sítě (s kabelem) nebo na baterie (bez kabelu).

#### BEZPEČNOST PRACOVNÍ OBLASTI

- **Udržujte pracovní prostor čistý a dobře osvětlený.** Zaházené nebo tmavé oblasti vedou k nehodám.
- **Neppracujte s tímto elektrickým nástrojem ve výbušných prostředích, například v přítomnosti hořlavých kapalin, plynu nebo prachu.** Elektrický poháněný nástroj vytváří jiskry, které mohou zapálit prach nebo výpary.
- **Udržujte děti a přihlížející během práce s elektrickým poháněným nástrojem stranou.** Rozptylování může způsobit ztrátu kontroly.

#### ELEKTRICKÁ BEZPEČNOST

- **Zástrčky elektricky poháněného nástroje musí být shodné s elektrickou zásuvkou.** Nepokoušejte se zástrčku jakýmkoliv způsobem upravovat. Nepoužívejte žádný adaptér zástrček se zemněným (uzemněným) elektricky poháněným nástrojem. Neupravené zástrčky a shodné zásuvky snižují nebezpečí elektrického úrazu.
- **Předcházejte tělesnému kontaktu s uzemněnými**

**nebo zemněnými povrchy, například trubkami, radiátory, sporáky a lednicemi.** Je zde zvýšené nebezpečí zásahu elektrickým proudem, pokud je vaše tělo zemněno nebo uzemněno.

- **Nevystavujte elektrické nástroje dešti nebo vysoké vlhkosti.** Voda vnikající do elektricky poháněného nástroje zvyšuje nebezpečí elektrického úrazu.
- **Nepoškozujte napájecí kabel. Nikdy pro odpojování, táhnutí nebo přenášení elektricky poháněného nástroje nepoužívejte kabel. Udržujte kabel mimo horké plochy, olej, pohyblivé součásti nebo ostré hrany.** Poškozené nebo zamotané kabely zvyšují nebezpečí elektrického úrazu.
- **Pokud používáte elektricky poháněný nástroj ve venkovním prostředí, použijte prodlužovací kabel vhodný pro venkovní prostředí.** Použití kabelu vhodného pro venkovní prostředí snižuje nebezpečí elektrického úrazu.
- **Pokud používáte elektricky poháněný nástroj ve vlhkém prostředí, je nezbytné používat proudový chránič (PCH).** Použitím PCH snížíte nebezpečí poranění elektrickým proudem.

#### OSOBNÍ BEZPEČNOST

- **Buďte ve střehu, hlídejte, co děláte a používejte zdravý rozum při provozu tohoto výrobku. Nástroj nepoužívejte, pokud jste unaveni nebo pod vlivem drog, alkoholu nebo léků.** Chvilce nepozornosti při práci s tímto elektricky poháněným nástrojem může způsobit vážná poranění osob.
- **Používejte osobní ochranné pomůcky. Vždy noste ochranu očí.** Ochranné prostředky jako ochranná maska, protiskluzová bezpečnostní obuv, přilba a ochrana sluchu využívané podle podmínek snižují riziko úrazů.
- **Zabraňte náhodnému spuštění. Před připojením ke zdroji elektrického napětí, popř. vložením baterie, zvednutím nebo přenosem výrobku se vždy ujistěte, že je výrobek vypnutý.** Přenášení elektrického nářadí s prstem na spínači nebo připojování elektrického nářadí k napájení s vypínačem v poloze zapnuto zvyšuje riziko úrazů.
- **Odstraňte všechny seřizovací klíče nebo šroubováky, než zapnete elektricky poháněný nástroj.** Klíč nebo šroubovák ponechaný přiložený k pohyblivému dílu elektricky poháněného nástroje může způsobit poranění osob.
- **Nepřeceňujte se. Udržujte řádné postavení a rovnováhu po celou dobu práce.** Toto umožňuje lepší ovládnutí elektricky poháněného nástroje v neočekávaných situacích.
- **Správně se oblékejte. Nenoste volný oděv nebo šperky. Braňte styku vlasů a oděvu s pohyblivými částmi.** Volný oděv, šperky nebo dlouhé vlasy mohou být zachyceny do pohyblivých částí.
- **Pokud je k dispozici zařízení na odtah a sběr prachu a pilin, zajistěte jeho správné připojení a používání.** Sběr prachu a pilin může snižovat s související nebezpečí.
- **Nenechte se ukolébat znalostmi získanými**





při častém používání nástrojů a neignorujte bezpečnostní pravidla. Neopatrné zacházení může ve zlomku vteřiny způsobit vážný úraz.

## POUŽITÍ A PÉČE O NÁSTROJ

- **Nepoužívejte nadměrnou sílu na nástroj. Nářadí vybírejte podle povahy práce, kterou chcete provádět.** Správný nástroj bude svou prací provádět lépe a bezpečněji při práci, pro kterou byl navržen.
- **Elektricky poháněný nástroj nepoužívejte, pokud spínač nezapíná a nevypíná.** Každý elektricky poháněný nástroj, který nemůže být ovládán spínačem, je nebezpečný a musí být opraven.
- **Před jakýmkoliv seřizováním, výměnou doplňků, vyjímáním baterie nebo ukládáním elektrického nářadí odpojte nejdříve zástrčku od zdroje napájení elektrického nářadí, popřípadě, podle provedení, vyjměte baterii.** Takováto preventivní opatření snižují riziko nechtěného spuštění výrobku.
- **Ukládejte nečinný elektricky poháněný nástroj mimo dosah dětí a nenechávejte neznámé osoby pracovat s elektricky poháněným nástrojem nebo s těmito pokyny k obsluze elektrického nástroje.** Elektricky poháněné nástroje jsou nebezpečné v rukou nequalifikovaných uživatelů.
- **Provádějte údržbu elektrického nářadí i příslušenství.** Zkontrolujte vychýlení nebo zasekávání pohyblivých se částí, rozbité části a každé jiné podmínky, které mohou ovlivnit funkci nástrojů. Pokud je poškozen, musí být nástroj před použitím opraven. Mnoho úrazů je způsobeno nedostatečnou držbou nástrojů.
- **Řezné nástroje udržujte ostré a čisté.** U řádně udržovaných řezných nástrojů s ostrými břity je nižší pravděpodobnost drhnutí a snadněji se ovládají.
- **Výrobek, jeho příslušenství, díly apod. používejte podle tohoto návodu k obsluze a vezměte na vědomí pracovní podmínky a prováděný úkon.** Použití elektricky poháněného nástroje pro práce jiné, než zamýšlené by mohlo mít za následek nebezpečnou situaci.
- **Rukojeti a úchopy udržujte suché a čisté, bez oleje a tuků.** Kluzké rukojeti a úchopy brání bezpečné manipulaci a ovládání nářadí v neočekávaných situacích.

## POUŽÍVÁNÍ A PÉČE O AKUMULÁTOROVÉ NÁŘADÍ

- **K nabíjení použijte pouze nabíječku specifikovanou výrobcem.** Nabíječka, která je vhodná pro jeden typ baterie může způsobit nebezpečí požáru, pokud se používá s jinou baterií.
- **Elektrické nářadí používejte pouze s baterií, která je určena přímo pro něj.** Použití jakékoli jiné baterie může vést k riziku poranění a požáru.
- **Pokud bateriový modul nepoužíváte, uchovávejte jej mimo kovové předměty jako svorky pro papír, mince, klíče, hřebíky, šrouby nebo jiné malé kovové předměty, které mohou vytvořit propojení jednoho vývodu s druhým.** Zkratování vývodů baterie může způsobit popáleniny nebo požár.
- **Při špatném použití může dojít k vystříknutí tekutiny**

z baterie; nedotýkat se. V případě nechtěného kontaktu omyjte vodou. Pokud se tekutina dostane do očí, vyhledejte také odbornou lékařskou pomoc. Tekutina vystříknutá z baterie může způsobit podráždění nebo popáleniny.

- **Nepoužívejte baterie ani nářadí, které je poškozené nebo upravené.** Poškozené nebo upravené baterie se mohou chovat nepředvídatelně a důsledkem může být požár, výbuch nebo úraz.
- **Nevystavujte baterii ani nástroj ohni nebo příliš vysokým teplotám.** Vystavení ohni nebo teplotám převyšujícím 130 °C může způsobit výbuch.
- **Postupujte podle všech pokynů k nabíjení a nenabíjejte baterie nebo nářadí mimo teplotní rozsah uvedený v návodu.** Nesprávné nabíjení nebo nabíjení při teplotách mimo uvedený rozsah může poškodit baterii a zvýšit riziko požáru.

## SERVIS

- **Váš elektricky poháněný nástroj smí opravovat pouze kvalifikovaný opravárenský pracovník a musí používat pouze vhodné náhradní díly.** Toto zajišťuje, že bezpečnost elektrického nástroje je udržována.
- **Nikdy neopravujte poškozené baterie.** Baterie by měl opravovat pouze výrobce nebo pověřený servis.

## BEZPEČNOSTNÍ POKYNY PRO POKOSOVÉ PILY

- **Pokosové pily jsou určeny k řezání dřeva a podobných materiálů. Nelze je používat s brusnými kotouči na řezání ocelových materiálů jako tyčovina, pruty, čepy atd. Prach a piliny z broušení způsobují zasekávání pohyblivých částí, například spodního ochranného krytu.** Jiskry z brusného řezání opalují spodní ochranný kryt, vložku pro šířku řezu a další plastové díly.
- **Použijte svorky na obrobek, kdykoli je to možné.** Při přidržování obrobku rukou je nutné držet ruku nejméně 100 mm od ostří pily. **Nepoužívejte tuto pilu k řezání kusů, které jsou příliš malé pro bezpečné upnutí nebo držení rukou.** Při příliš krátké vzdálenosti ruky od ostří pily se zvyšuje riziko úrazu v důsledku kontaktu s ostřím.
- **Obrobek musí být nehybný a upnut nebo držen jak proti paralelní záračce (hrazení), tak proti stolu.** **Neposouvajte obrobek k pilovému kotouči ani jinak neřezejte „z ruky“.** Nezájistěné nebo pohyblivé se obrobky mohou být odmrštěny vysokou rychlostí a způsobit úraz.
- **Pilu skrze obrobek tlačte. Neposouvajte pilu skrze obrobek tažením.** Postup řezání je takový, že zvednete hlavu pily, přetáhnete ji za obrobek bez řezání, zapnete motor, přesunete a stisknete hlavu pily dolů a tlačení posouváte pilu skrze obrobek. Posouvání pily v řezu tahem může způsobit vyjetí řezného kotouče na horní stranu obrobku a prudké odhození jeho sestavy směrem k obsluze pily.
- **Nikdy nedávejte ruku přes zamýšlenou přímku řezu, ani před řezným kotoučem ani za ním.** Přidržování obrobku překříženou rukou, tj jeho držení napravo od řezného kotouče levou rukou nebo obráceně, je velmi





nebezpečné.

- **Při odstraňování odřezků nebo za podobným účelem, když se řezný kotouč otáčí, ani jednu rukou nesahejte za paralelní záračku bližší než 100 mm od řezného kotouče.** Přiblížení rotujícího řezného kotouče k ruce nemusí být zřejmé a může dojít k vážnému poranění.
- **Před řezáním obrobek zkontrolujte.** Pokud je obrobek ohnutý nebo zkroucený, upněte jej vnější stranou ohnutí proti paralelní záračce. **Vždy zajistěte, aby nebyla podél přímky řezu mezeza mezi obrobkem, paralelní záračkou a stolem.** Ohnuté nebo zkroucené obrobky se mohou otáčet nebo posouvat a způsobit drhnutí rotujícího řezného kotouče během řezání. V obrobku nesmějí být hřebíky ani jiná cizí tělesa.
- **Pilu nepoužívejte, dokud nejsou ze stolu odklizeny nástroje, odřezky atd., kromě obrobku.** Úlomky a volné kousky dřeva nebo jiné předměty mohou být při styku s rotujícím řezným kotoučem odmrštěny vysokou rychlostí.
- **Řezajte obrobky vždy jen po jednom.** Na sebe naskládané obrobky nelze řádně upnout ani zapřít a během řezání může dojít k drhnutí řezného kotouče nebo posunu obrobků.
- **Před používáním zajistěte, aby byla pokosová pila umístěna na vodorovné a pevné pracovní ploše.** Vodorovná a pevná pracovní plocha snižuje riziko vzniku nestability pokosové pily.
- **Práci si předem dobře promyslete. Pokaždé, když se změní seřízení úhlu řezu na příčný úkos nebo úhlu řezu na pokos, zajistěte správné nastavení stavitelné paralelní záračky, aby přidržovala obrobek a nepřekážela řeznému kotouči ani ochranným krytům.** Zkontrolujte, zda v dráze řezu nebudou překážky a nedojde k naříznutí paralelní záračky tak, že řezným kotoučem při vypnuté pile a bez obrobku upnutého na stole provedete simulaci zamýšleného řezu.
- **U obrobku širšího nebo delšího než plocha stolu zajistěte dostatečné podepření, například nastavci stolu, podpěrami (kozami) atd.** Bez pevného podepření se mohou obrobky širší nebo delší než pracovní stůl pokosové pily převrátit. Pokud se odříznutý konec nebo obrobek naklopí, může zdvihnout spodní ochranný kryt nebo být odhozen rotujícím řezným kotoučem.
- **Nenahrazuje nástavce stolu nebo přidavné podpěry další osobou.** Nestabilní podpírání obrobku může v průběhu řezání způsobit drhnutí řezného kotouče nebo posunutí obrobku, což obsluhu i pomocníka může přitáhnout k rotujícímu řeznému kotouči.
- **Odřezek nesmí být žádným způsobem tlačěn proti rotujícímu řeznému kotouči.** Při použití záraček na odměřování délky může být odřezek rotujícím řezným kotoučem prudce odmrštěn.
- **Pro přichycení kulatiny, tyčoviny nebo trubek vždy používejte k tomu určené upínadlo nebo přípravek.** Materiály s kruhovým průřezem mají tendenci se při řezání otáčet a to může způsobit „zakousnutí“ ostří a přitážení obrobku a ruky obsluhy směrem k řeznému

kotouči.

- **Před kontaktem s obrobkem nechte řezný kotouč dosáhnout plných otáček.** Tím se sníží riziko odmrštění obrobku.
- **Pokud dojde k zaseknutí řezného kotouče, pokosovou pilu vypněte. Počkejte na zastavení všech pohyblivých částí a odpojte zástrčku od zdroje napájení a/nebo vyjměte baterii. Potom odstraňte zaseknutí.** Pokračovat v řezání při zaseknutí do obrobku může způsobit ztrátu ovládní nebo poškození pokosové pily.
- **Po dokončení řezu před odstraněním odřezku uvolněte spínač, podržte hlavu pily dole a počkejte, než se řezný kotouč zastaví.** Setrvačné otáčení řezného kotouče může způsobit poranění ruky.

## BEZPEČNOSTNÍ POKYNY ŘEZNÝ KOTOUČ PRO DŘEVO

- Před používáním řezného kotouče pily a celého výrobku si přečtěte pečlivě návod.
- Elektrický nástroj musí být v dobrém stavu, včetně musí být prosté deformací a vibrací.
- Pilu nepoužívejte bez správně umístěných ochranných krytů. Udržujte kryty v provozuschopném stavu a řádně je udržujte.
- Zajistěte dostatečné proškolení obsluhy v bezpečnostních opatřeních, seřizování a používání výrobku.
- Při používání pily vždy používejte ochranné brýle a ochranu sluchu. Doporučuje se používat ochranné rukavice, pevnou protiskluzovou obuv a zástěru.
- Před použitím doplňku pečlivě přečtěte návod k používání. Při nesprávném používání příslušenství může dojít ke škodám a může se zvyšovat riziko zranění.
- Používejte pouze kotouče určené manuálem, dle EN 847-1.
- Sledujte maximální rychlost kotouče, vyznačenou na pilovém kotouči. Ujistěte se, že je rychlostní značení pilového kotouče alespoň stejné jako rychlostní značení na pile.
- Vždy používejte kotouč odpovídající velikosti a tvaru s vhodným upínacím průměrem. Pilové kotouče s nesprávným upínacím průměrem se nebudou správně otáčet na hřídeli. Navíc existuje riziko, že ztratíte kontrolu nad nářadím.
- Nepoužívejte kotouče o menším či větším průměru, než doporučeném. Nepoužívejte distanční vložky pro upevnění kotouče na vřeteno.
- Před každým použitím zkontrolujte výčnělky řezného kotouče, zda nejsou poškozeny nebo nevykazují vzhledové anomálie. Poškozené či uvolněné výčnělky mohou při používání odlétnout a případně způsobit zranění osob.
- Nepoužívejte prasklé nebo polámané pilové kotouče. Nepoužívejte poškozené nebo deformované pilové listy.
- Řezný kotouč zlikvidujte, je-li poškozen, zdeformován, zkroucen či je-li prasklý. Kotouč není dovoleno

EN  
FR  
DE  
ES  
IT  
NL  
PT  
DA  
SV  
FI  
NO  
RU  
PL  
CS

HU  
RO  
LV  
LT  
ET  
HR  
SL  
SK  
BG  
UK  
TR  
EL





opravovat.

- Nepoužívejte HSS kotouče.
- Před používáním zajistěte dokonalé nasazení řezného kotouče a pevné utažení přídržné matice (utahovací moment přibližně 12 až 15 Nm).
- Šrouby a matice se musí utahovat pomocí vhodných utahovacích klíčů a podobně.
- Není dovoleno používat násady utahovacího klíče ani utahovat úderem kladiva.
- Zajistěte, aby všechny kotouče a příruby byly čisté a zahlušené strany objímek byly proti kotouči.
- Ujistěte se, že se pilový kotouč otáčí ve správném směru.
- Před prací proveďte zkušební řez bez zapnutého motoru tak, aby se dala zkontrolovat poloha nože, funkčnost krytů s ohledem na ostatní části stroje a obrobek.
- Nikdy nenechávejte pilu bez dozoru.
- Nemažte kotouč, když běží.
- Nikdy nečistěte či neudržujte, když stroj ještě běží nebo hlava není v klidové poloze.
- Nikdy se stroj nepokoušejte ihned zastavit zablokováním nástroje, můžete se těžce poranit.
- Před výměnou kotoučů nebo prováděním údržby pilu odpojte od síťového napájení nebo vyjměte baterii.
- Při balení či rozbalování kotouče se lze snadno poranit ostrými zuby kotouče.
- Používejte držák kotouče či při manipulaci s kotoučem noste rukavice.
- Uchovávejte a skladujte kotouč v originálním obalu či jiném vhodném obalu, uchovávejte v suchu a mimo působení chemikálií poškozujících kotouč.

#### DOPLŇUJÍCÍ BEZPEČNOSTNÍ VAROVÁNÍ

- Vždy obrobek bezpečně upněte.
- Zajistěte stabilní polohu stroje (například upevněním na pracovní stůl).
- Používejte chrániče sluchu. Působením hluku může dojít k poškození sluchu.
- Při používání této pily vždy noste ochranné brýle. Doporučuje se používat rukavice pro manipulaci s kotouči a surovinami a dále pevnou protiskluzovou obuv k ochraně nohou od obrobků, které se mohou padat z oblasti řezání.
- Před prováděním údržby nebo čištěním odpojte výrobek od síťového napájení nebo vyjměte baterii.
- Baterii instalujte pouze při vypnutém výrobku.
- Nikdy nesahejte do nebezpečné oblasti pilového kotouče, dokud se zcela nezastaví.
- Před použitím důkladně zkontrolujte, zda výrobek a baterie nejsou poškozeny a nevykazují únavu materiálu. Opravy celého výrobky smí provádět pouze pověřené servisní pracoviště.
- Vždy používejte ochranné kryty na výrobku. Pilu nepoužívejte, pokud nejsou ochranné kryty správně umístěny nebo správně nefungují.
- Spodní kryt řezného kotouče se smí otevírat pouze při

spuštění řezného kotouče k obrobku a musí se vždy volně pohybovat a automaticky zavírat.

- Během provozu vždy připevněte a používejte nástavné podpěry.
- Výrobek nikdy nepozměňujte a neupravujte. Vaše bezpečnost může být ohrožena.
- Nepoužívejte kotouče prasklé, pokřivené či poškozené.
- Nepoužívejte pilové listy vyrobené z rychlořezné oceli.
- Používejte pouze kotouče, které jsou ostré. Vyměňte tupé nože.
- Vždy používejte kotouč odpovídající velikosti a tvaru s vhodným upínacím průměrem. Pilové kotouče s nesprávným upínacím průměrem se nebudou správně otáčet na hřídeli. Navíc existuje riziko, že ztratíte kontrolu nad nářadím.
- Používejte výhradně řezné kotouče pro práci s dřevem uvedené v této příručce, které splňují požadavky normy EN 847-1.
- Nepoužívejte příruby, podložky a matice k zajištění pilového kotouče jiné, než dodávané nebo uvedené v návodu k použití.
- Vyberte pilový list vhodný k řezání vybraného materiálu. Nikdy pilu nepoužívejte k řezání jiných materiálů než ke kterým je určena podle této příručky.
- Při řezání je důležité zabránit přehřívání řezného kotouče a tavení plastů.
- Zásadní význam má dodržování maximálních otáček uvedených na řezném kotouči. Používejte pouze řezné kotouče, které jsou označeny otáčkami shodnými nebo vyššími než je označení na pile.
- Vyměňujte opotřebované či poškozené vložky stolu.
- Před prací proveďte zkušební řez bez zapnutého motoru tak, aby se dala zkontrolovat poloha nože, funkčnost krytů s ohledem na ostatní části stroje a obrobek.
- Při provádění řezů na příčný úkos, na pokos nebo složených seřídte posuvnou paralelní zarážku nebo přídavnou mezizarážku k zajištění správného odstupu od ostří.
- Při přepravě pily musí být vždy aktivována aretace rukojeti.
- Udržujte oblast podlahy čistou, to je bez pilin a odřezků.
- Neodstraňujte odřezky a jiné zbytky materiálu z řezného prostoru dokud pila běží a řezná hlava je v pohybu.
- Dlouhé obrobky vhodným způsobem podepřete. Pracovní prostor pily zahrnuje celý rozsah obrobku. Obsluha by měla zajistit tuto oblast proti náhodnému kontaktu s jinými osobami nebo s předměty, které se mohou pohybovat do obrobku během provozu.
- Prach a piliny vznikající při používání výrobku mohou představovat zdravotní riziko. Použijte systém absorpce prachu a noste vhodný respirátor. Řádně odstraňujte usazený prach, např. vysavačem.
- Neměřte laser za jiný typ. Jakékoliv opravy musí provádět výrobce nebo autorizovaný servis.
- Rozsah teplot okolí při používání nástroje je od 0 °C do 40 °C.
- Rozsah teplot okolí při skladování nástroje je od 0 °C





do 40 °C.

- Rozsah doporučených teplot okolí při používání systému nabíjení akumulátoru je od 10 °C do 38 °C.

### TRANSPORT LITHIOVÝCH BATERÍ

Přenos baterie dle místních a národních opatření a předpisů.

Dodržujte všechny zvláštní požadavky na balení a značení při transportu baterií třetí stranou. Zajistěte, aby žádné baterie nepřišly do kontaktu s jinými bateriemi nebo vodivými materiály při transportu pomocí ochrany nekrytých kontaktů prostřednictvím izolace, nevodivých krytek či lepicích pásek. Nepřepravujte prasklé nebo baterie s unikajícím elektrolytem. Ptejte se u zásilkové společnosti na další radu.

### DOPLŇUJÍCÍ BEZPEČNOSTNÍ UPOZORNĚNÍ K BATERII

#### ⚠ VAROVÁNÍ

Abyste zabránili nebezpečí požáru způsobeného zkratem, poraněním nebo poškozením výrobku, neponořujte nářadí, výměnnou baterii nebo nabíječku do kapalin a zajistěte, aby do zařízení a akumulátorů nevnikly žádné tekutiny. Korodující nebo vodivé kapaliny, jako je slaná voda, určité chemikálie a bělicí prostředky nebo výrobky, které obsahují bělidlo, mohou způsobit zkrat.

- Rozsah provozních teplot okolí akumulátoru je od 0 °C do 40 °C.
- Rozsah skladovacích teplot okolí akumulátoru je od 0 °C do 20 °C.

### LASEROVÁ BEZPEČNOST

- Průvodní laserové vodič vyzařování použité v pile je třídy 2 s maximem  $\leq 1\text{mW}$  a vlnovými délkami 650 nm. Nikdy se nedívejte přímo do laserového paprsku. Nedodržení pravidel může způsobit vážné osobní poranění.
- Nedívejte se do paprsku během práce.
- Nemířte přímo laserový paprsek do očí ostatních. Následkem může být vážné zranění oka.
- Neumístujte laser do polohy, která může způsobit, že se jiné osoba (y) dívají ať už náhodně nebo úmyslně do laserového paprsku.
- Nepoužívejte optické nástroje pro sledování laserového paprsku.
- Nepoužívejte laser blízko dětí nebo nenechte děti pracovat s tímto laserem.
- Nepokoušejte se sami laserové zařízení opravovat.
- Nezkoušejte sami měnit jakoukoliv část laserového zařízení.
- Opravy smí být prováděny jen kvalifikovaným výrobcem laseru nebo pověřeným pracovníkem.
- Neměňte laser za jiný typ.

### ZBYTKOVÁ RIZIKA

Dokonce, i když se výrobek provozuje jak je předepsáno, je stále nemožné zcela eliminovat veškeré zbytkové rizikové faktory. Následující nebezpečí mohou nastat při používání; vyhýbejte se:

- Nebezpečí kontaktu s nezakrytými částmi rotujícího kotouče.
- Zpětný vrh obrobku a částí obrobku při nesprávné obsluze.
- Vymrštění ulomených zubů pilového kotouče.
- Poškození dýchacího ústrojí.  
**POZNÁMKA:** Noste dýchací masky obsahující filtry vhodné pro obráběné materiály. Zajistit dostatečné větrání pracoviště. V pracovní oblasti výrobku nejíst, nepít, ani nekouřit.
- Poškození sluchu, pokud se nenosí účinná ochrana sluchu.

#### ⚠ VAROVÁNÍ

Prach z určitých barev, laků a materiálů může způsobit podráždění nebo alergické reakce na dýchací ústrojí. Prach ze dřeva, jako je dub, buk, překližka a jiných, je karcinogenní. Materiál obsahující azbest se nesmí nikdy zpracovávat nebo pouze zpracovávat kvalifikovaným specialistou.

#### ⚠ VAROVÁNÍ

Poranění mohou být způsobena, či zhoršena, prodlouženým používáním nástroje. Když používáte jakýkoliv nástroj delší dobu, dělejte pravidelné přestávky.

### SEZNAMTE SE S VÝROBKEM

Viz strana 215.

1. Rukojeť s izolací a protiskluzovým povrchem
2. Vypínač napájení
3. Rukojeť bezpečnostního blokování
4. Horní ochranný kryt pilového kotouče
5. Pilový kotouč
6. Dolní ochranný kryt pilového kotouče
7. Hlavní pravítko
8. Otočný stůl
9. Základová deska
10. Vložka stolu
11. Rukojeť blokování otočného stolu
12. Rovnováha nohou
13. Opěra proti převrácení
14. Spínač laseru
15. Horní rukojeť s izolací a protiskluzovým povrchem
16. Příručka
17. Dorazová patka
18. Páčka aretace úhlu řezu na příčný úkos
19. Svorka
20. Posuvné pravítko
21. Montážní otvor
22. Prodlužovací tyč
23. Šrouby pro uzamčení hlavního chrániče
24. Tlačítko pro aretaci vřetene

25. Bateriový modul
26. Sáček pro prach
27. Šroub seřízení hloubky řezu
28. Doraz maximální hloubky řezu
29. Šroub dorazu lineární tyče
30. Šrouby pro nastavení dorazu úhlu pokosu
31. Klíč pro šestihřanné šrouby a matice

## OBSLUHA

Charakteristikou výrobku je pilový kotouč, který lze nastavit v různých úhlech obsluhou při řezání obrobku, který je pevně uchycen k základně výrobku. Musí být provozováno pouze jednou osobou, aby se zabránilo náhodnému kontaktu s pohybujícím se pilovým kotoučem.

Zásady pro bezpečný provoz výrobku jsou následující:

- Udržujte pilové kotouče a pracovní prostor v dobrém stavu.
- Připevněte základnu pokosové pily pevnému stolu ponku. Výrobek se může pohybovat a naklápět, pokud není dostatečně zabezpečen.
- Nastavte a zablokujte řezací úhly a hloubku před provedením řezu.
- Zajistěte obrobek k základně pokosové pily. Použijte dodanou svorku a tam, kde je to nutné, použijte další svorky nebo přidržné mechanismy, aby se zabránilo nechtěnému pohybu obrobku při řezání.
  - Zkontrolujte, zda kryty kotouče nejsou omezeny polohou obrobku.
  - Ujistěte se, že pravítko a další části výrobku nebudou pořežány, když kotouč klesá do polohy řezání.
- Spustěte motor a nechte kotouč dosáhnout jeho plné rychlosti než jej pomalu spustíte pro řezání obrobku. Podle potřeby pro dokončení řezu posouvajte sestavu řezného kotouče směrem dozadu.
- Umožněte sestavě kotouče vystoupit do horní polohy, kde je kryt kotouče zcela uzavřen. Vypněte motor a nechte kotouč plně zastavit před odebráním obrobku nebo odřezků nebo před manipulací v oblasti kotouče.

Před prvním použitím se ujistěte, že úhel zkosení nebo pokosu nastavený na výrobku odpovídá úhlu, které mají být vyroben na obrobku. Zkontroluje na vyřazeném kusu dřeva pomocí tesařské sady nebo pokosového měřítka.

### VAROVÁNÍ

Výrobce důrazně doporučuje, aby byl výrobek vždy bezpečně namontován na horní straně ponku.

Pokud je podstavec pily pevně uchycen k pracovnímu stolu čtyřmi šrouby, podložkami a maticemi podle návodu, lze pilu používat při nastaveném maximálním úkosu a pokosu bez přeřazení. Pokud není výrobek řádně zabezpečen, může výrobek při obrábění ztratit rovnováhu při výběru velkých úhlů zkosení.

Na přední části základny pokosové pily je prodlužovací tyč, která by měla být vytažena na maximální délku. To pomůže zabránit ztrátě rovnováhy pokosové pily.

K dispozici je také nastavitelný šroub (vyrovnávací noha), která se rozkládá od dolní části rozšiřovacího otočného

stolu. Tento šroub by měla být upravena tak, aby se dotýkal plochy povrchu, na kterém výrobek spočívá. Tím se také zabrání ztrátě rovnováhy výrobku, když řežete při plném natažení a pokosu. Pozor, část stolu pokosové pily se pohybuje, když jsou zvoleny různé úhly pokosu, šroub se tedy musí často nastavovat a resetovat.

## ÚDRŽBA

- Nepoužívejte s výrobkem příslušenství nebo doplňky, jež nejsou schváleny výrobcem. Vaše bezpečnost i bezpečnost osob, které se nacházejí v blízkosti, může být ohrožena.
- Nepoužívejte výrobek, pokud nějaké přepínače, kryty nebo jiné funkce nefungují tak, jak bylo zamýšleno. Odevzdejte nejbližšímu servisnímu středisku k profesionální opravě.
- Neprovádějte žádné úpravy, když je pilový kotouč v pohybu.
- Před seřizováním, promazáváním nebo prováděním údržby se vždy ujistěte, že byla z výrobku vyjmuta baterie.
- Před každým použitím zkontrolujte výrobek na poškození nebo zničené části. Udržujte výrobek ve špičkovém provozním stavu neprodlenou výměnou dílů za náhradní díly schválené výrobcem.
- Čepel má ostré hrany a po řezání může být horká. Při čištění obnažené čepele dbejte zvýšené opatnosti. Používejte rukavice, abyste se nezranili.
- Z pily a jejího příslušenství pravidelně odstraňujte prach a piliny, obzvláště z pohyblivých částí včetně ochranného krytu řezného kotouče. K účinnému odstranění prachu a pilin používejte smeták nebo vysavač. Nepoužívejte stlačený vzduch.
- Pro lepší bezpečnost a bezporuchovost by mělo všechny opravy, včetně výměny kartáčů, provádět pověřené autorizované servisní středisko.

### VAROVÁNÍ

Nepokoušejte se rozmontovávat sestavu ochranného krytu řezného kotouče za účelem čištění nebo opravy. Poškozené ochranné kryty není povoleno používat. Jejich opravu nebo výměnu svěřte pověřenému servisnímu pracovišti.

### VAROVÁNÍ

Pro lepší bezpečnost a bezporuchovost by mělo opravy provádět pověřené autorizované servisní středisko.

## Kalibrace úkosového a pokosového úhlu

Pokud je potřeba kalibrovat úkosový a pokosový úhel, řiďte se pokyny ke kalibraci na stranách 236 až 242.

## Doraz maximální hloubky řezu

Doraz maximální hloubky řezu chrání pilový kotouč před řezáním do kovové základny jednotky.

## VAROVÁNÍ

Uživatel nemůže seřizovat doraz maximální hloubky řezu. Neseřizujte doraz maximální hloubky řezu.

## PŘEPRAVA A SKLADOVÁNÍ

- Před skladováním výrobku z něj vyjměte baterii. Skladujte výrobek na bezpečném místě, které není přístupné dětem.
- Vyčistěte výrobek před uskladněním pomocí štětce a vysavače.
- Pokud odebíráte pilový kotouč nebo skladujete náhradní díly s jednotkou, zajistěte, že jsou v originálním obalu, aby se zabránilo poranění.

### Pro zajištění výrobku proti pohybu:

- Výrobek by měl být skladován při nulovém úhlu pokosu a zkosení a v zablokované poloze. Posuv by měl být zablokován. Rukojeť by měla být zablokována v dolní (bezpečné) poloze s zavřeným krytem.
- Za účelem snadnějšího přenášení mohou být odstraněny jedna nebo obě strany nastavných podpěr.

### Pro přesun ve vozidle:

- Zajistěte výrobek proti pohybu, jak je popsáno v návodu.
- Demontujte výrobek z desky stolu uvolněním 4 šroubů, na každém rohu je jeden. Zajistěte šrouby pro budoucí použití. Zvedněte výrobek pomocí rukojeti na horní straně.
- Při zvedání do výšky jsou zapotřebí dvě osoby s pevnými rukavicemi pro zvednutí základny výrobku.
- Při převozu ve vozidle umístěte výrobek na jeho základnu a zajistěte proti pohybu.

## OCHRANA ŽIVOTNÍHO PROSTŘEDÍ



V rámci možností neodhazujte vysloužilé nářadí do domovního odpadu a upřednostněte jeho recyklaci. V souladu s předpisy na ochranu životního prostředí odkládejte vysloužilé nářadí, příslušenství i obalový materiál do tříděného odpadu.

## SYMBOLY NA VÝROBKU



Bezpečnostní výstraha



Shoda CE



Euroasijská značka shody



Ukrajinská značka shody



Před spuštěním přístroje si řádně přečtěte pokyny.



Noste ochranu sluchu



Vždy noste ochranu očí.



Udržujte ruce mimo oblast řezání a kotouč.



Nevystavujte desti nebo nepoužívejte ve vlhkých místech.



Požívejte ochranné rukavice



Směr otáčení řezného nástroje (označený na nástroji)



Směr otáčení kotouče (uvedeno na krytu kotouče)



Šířka řezu



Počet zubů na tomto řezném kotouči



Maximální prořez



Pro řezání dřeva a obdobných materiálů



Nikoliv pro řezání kovů



Laserové zařízení. Nedívejte se do paprsku. Laserový výrobek třídy 2



Odpad elektrických výrobků se nesmí likvidovat v domovním odpadu. Recyklujte prosím na sběrných místech. Ptejte se u místních úřadů nebo prodejce na postup při recyklaci.

## SYMBOLY POUŽITÉ V NÁVODU



Zamknuto



Odemknuto



Blokovací mechanismus nefunguje



Díly nebo příslušenství jsou v prodeji samostatně



Poznámka



Varování

Následující signální slova a významy jsou vhodné pro vysvětlení úrovně nebezpečí spojených s tímto výrobkem.

#### **NEBEZPEČÍ**

Upozorňuje na bezprostředně nebezpečnou situaci, která vede k usmrcení nebo těžkému zranění.

#### **VAROVÁNÍ**

Upozorňuje na možnou nebezpečnou situaci, která by mohla vést ke smrtelnému úrazu nebo k závažnému zranění.

#### **POZOR**

Upozorňuje na možnou nebezpečnou situaci, která může vést k menšímu nebo lehkému zranění.

#### **POZOR**

(Bez bezpečnostního výstražného symbolu) Určuje situaci, která může mít za následek vážné poškození.



A gérvágó fűrész tervezésekor az elsődleges szempontok a biztonság, a teljesítmény és a megbízhatóság volt.

## RENDELTETÉSSZERŰ HASZNÁLAT

Az egyenáramú kombinált gérvágó fűrész furnér, műanyagot vagy más, fához hasonló anyagot tartalmazó vagy nem tartalmazó tömör fa vagy rétegelt falemez fűrészeléséhez használható.

A terméket felnőtt kezelők általi használatra terveztük, akik elolvasták a gépkönyvet, és értik a kockázatokat és veszélyeket.

A terméket olyan módon alakították ki, hogy a talpánál egy masszív munkaszaltnaloz legyen rögzítve. Ha az alapot nincs biztonságosan rögzítve, a vágási művelet során a teljes gép mozoghat, ami megnöveli a súlyos személyi sérülések kockázatát.

A terméket ferde- és gérvágásra tervezték. A különböző vágásokhoz tartozó teljesítmények ebben a használati utasításban találhatóak a termékleírásoknál.

A termék száraz körülmények között, kiváló megvilágítás és megfelelő szellőztetés mellett használandó.

A termék csak otthoni használatra alkalmas, és csak a fent meghatározottak szerint használható, és nem alkalmas semmilyen más célra.

## ÁLTALÁNOS BIZTONSÁGI ELŐÍRÁSOK

### ⚠ FIGYELEM

**Figyelmesen olvassa el az ehhez a szerszámhoz mellékelt összes figyelmeztetést, utasítást és műszaki adatokat, valamint tanulmányozza az ábrákat is.** Az alább részletezett előírások be nem tartása olyan baleseteket okozhat, mint pl. tűz, áramütés és/vagy súlyos testi sérülések.

**A jövőbeli felhasználásra őrizze meg az összes figyelmeztetést és útmutatót.** A figyelmeztetéseinkben a „nagy teljesítményű eszköz” a hálózatról működtetett (vezetékes) gépére vagy az akkumulátorról üzemelő (vezeték nélküli) gépére utal.

### A MUNKATERÜLET BIZTONSÁGA

- **A munkaterületet tartsa tisztán és jól megvilágítva.** A rendetlen vagy sötét munkaterületek balesetekhez vezethetnek.
- **Az elektromos szerszámgepeket ne működtesse robbanásveszélyes környezetben, mint például robbanásveszélyes folyadékok, gázok vagy porok jelenlétében.** Az elektromos készülékekben szikrák keletkeznek, amik begyűjthetik a port vagy a gőzöket.
- **Az elektromos szerszámgép használatakor a gyerekeket és a kívülállókat tartsa távol.** A figyelem elterelődése az irányítás elvesztését okozhatja.

### ELEKTROMOS BIZTONSÁG

- **Az elektromos szerszám dugaszának egyeznie kell az aljzattal.** Semmilyen módon ne módosítsa a dugaszt. A földelt elektromos szerszámokhoz ne használjon csatlakozó adaptert. A nem módosított és

illeszkedő dugasz csökkenti az áramütés kockázatát.

- **Kerülje az érintkezést földelt felületekkel, mint például csövekkel, radiátorokkal és hűtőkkel.** Megnöveli az áramütés kockázatát, ha a teste földeltté válik.
- **Ne tegye ki az elektromos szerszámokat esőnek vagy nedves környezetnek.** Az elektromos gépekbe kerülő víz növeli az áramütés kockázatát.
- **Ne rongálja meg a kábelt. Az elektromos szerszám kábelét soha ne használja a szerszám hordozására, húzására vagy kihúzására.** Tartsa távol a kábelt hőforrásoktól, olajtól, éles szélektől és mozgó alkatrészekről. Sérült vagy beakadt kábelek növelik az áramütés kockázatát.
- **Elektromos szerszám szabadtéri működtetésekor egy kültéri használatra is megfelelő hosszabbító kábelt használjon.** Kültéri használatra megfelelő hosszabbító kábel csökkenti az áramütés kockázatát.
- **Ha a szerszámgép használata nedves környezetben elkerülhetetlen, használjon áram-védőkacsolót (RCD).** Az RCD használata csökkenti az áramütés kockázatát.

### SZEMÉLYI BIZTONSÁG

- **A szerszám használatakor legyen éber, figyeljen arra, amit csinál, és használja az összes érzékszervét.** Ne használja a gépet, ha fáradt, illetve ha alkohol, gyógyszer vagy tudatmódosító szerek hatása alatt áll. A szerszámgépek használata közben már egyetlen figyelmen kívül hagyás is súlyos személyi sérüléshez vezethet.
- **Viseljen személyi védőfelszerelést. Mindig viseljen védőszemüveget.** Az adott feltételekhez használt védőfelszerelés, például porvédő maszk, csúszásmentes biztonsági cipő, védősisak vagy hallásvédő, csökkenti a személyi sérüléseket.
- **Kerülje el a véletlen bekapcsolást.** A termék felvétele, szállítása, tápellátáshoz/akkucsomaghoz csatlakoztatása előtt győződjön meg arról, hogy a kapcsoló kikapcsolt helyzetben van. Baleseteket okozhat, ha az ujjával a kapcsolón nagy teljesítményű gépeket szállít, vagy ezeket bekapcsolva áram alá helyezi.
- **A szerszámgépről bekapcsolás előtt távolítson el minden beállító kulcsot és csavarkulcsot.** Egy a szerszámgép forgó alkatrészén maradt beállító kulcs vagy csavarkulcs személyi sérülést eredményezhet.
- **Ne hajljon ki túlságosan. Mindig tartson megfelelő testtartást és egyensúlyt.** Ez a szerszámgép jobb irányítását teszi lehetővé váratlan szituációkban.
- **Viseljen megfelelő ruházatot. Ne vegyen fel laza ruhát vagy ékszereket.** A haját és a ruházatát tartsa távol a mozgó alkatrészekről. A laza ruházat és ékszerek vagy a hosszú haj beakadhatnak a mozgó alkatrészekbe.
- **Ha porelvezető vagy -gyűjtő tartozékok csatlakoztatásához szolgáló eszközökkel rendelkezik, akkor biztosítsa ezek csatlakoztatását és megfelelő használatát.** A porelvezetés használata csökkentheti a porhoz kapcsolódó veszélyeket.





- **Ne töltse el elégedettséggel az, hogy a gyakori eszközhasználatból kellő jártasságot szerzett, és ne hagyja figyelmen kívül az eszköz biztonsági alapelveit.** A gondatlan cselekvés súlyos sérülést okozhat a másodperc tört része alatt.

## A SZERSZÁMGÉP HASZNÁLATA ÉS KARBANTARTÁSA

- **Ne erőltesse a gépet.** A feladathoz a megfelelő terméket használja. A megfelelő termék jobb teljesítménnyel és biztonságosabban fog dolgozni olyan fordulatszámra, amilyenekre azt tervezték.
- **Ne használja a szerszámgépet, ha a kapcsoló nem kapcsol be és ki.** Bármilyen szerszámgép veszélyes, amit a kapcsolóval nem lehet irányítani. Azt meg kell javítani.
- **Mielőtt beállítást végezne, tartozékokat cserélne vagy a nagy teljesítményű gépet eltárolná, húzza ki a csatlakozódugót a konnektorból és/vagy vegye ki az akkumulátort, ha eltávolítható.** Az ilyen megelőző biztonsági intézkedések csökkentik a termék véletlen elindításának veszélyét.
- **A használaton kívüli készüléket gyerekek számára nem elérhető helyen tárolja, és ne hagyja, hogy a szerszámgépet vagy a kézikönyvet nem ismerő személyek használják a szerszámgépet.** Gyakorlatlan felhasználók kezében a szerszámgépek veszélyesek.
- **Végezze el a nagy teljesítményű gépek és a tartozékok karbantartását.** Ellenőrizze a mozgó alkatrészek akadását vagy helytelen beállítását, az alkatrészek törését és minden más körülményt, ami hatással lehet a gép működésére. Ha sérült, a szerszámot az újbóli használat előtt meg kell javítani. A rosszul karbantartott szerszámok sok balesetet okoznak.
- **A vágóeszközöket tartsa élesen és tisztán.** A megfelelően karbantartott, éles vágóélel rendelkező vágóeszközök kevésbé akadnak el, és egyszerűbben irányíthatók.
- **A terméket, tartozékokat és szerszámfejeket stb. ezen útmutatónak megfelelően használja a munkakörülmények és a végrehajtandó munka figyelembe vételével.** A szerszámgép rendeltetésétől eltérő műveletekre való használata veszélyes helyzeteket eredményezhet.
- **A markolatokat és a fogófelületeket tartsa szárazon, tisztán és ne legyenek zsírosak, olajosak.** A csúszós markolatokkal és fogófelületekkel váratlan helyzetekben az eszköz kezelése és irányítása nem biztonságos.

## AZ AKKUMULÁTOR HASZNÁLATA ÉS KARBANTARTÁSA

- **Csak a gyártó által megadott töltőt használja a feltöltéshez.** Egy adott akkumulátortípushoz való töltő egy másik típusú akkumulátorral való használata tűzveszélyes lehet.
- **A nagy teljesítményű gépeket csak kifejezetten azokhoz tervezett akkumulátorral használja.** Bármilyen más akkucsomag használata sérülés és tűz

veszélyét okozhatja.

- **Az akkumulátort használaton kívül tartsa távol más fém tárgyaktól, úgymint gemkapcsoktól, érméktől, kulcsoktól, szögektől, csavaroktól vagy más kisméretű fém tárgyaktól, amelyek rövide zárhatják a két érintkezőt.** Az akkumulátor pólussarujának rövidere zárása égést vagy tüzet okozhat.
- **Helytelen körülmények között folyadék léphet ki az akkumulátorból, amihez ne érjen hozzá.** Ha véletlenül mégis hozzáér, öblítse le vízzel. Ha a folyadék a szemébe kerül, forduljon orvoshoz. Az akkumulátorból kilépő folyadék irritációt vagy égési sérüléseket okozhat.
- **Ne használjon sérült vagy átalakított akkucsomagot vagy eszközt.** A sérült vagy átalakított akkumulátor előre nem látható módon üzemelhet, ami tüzet, robbanást, más kockázatot vagy sérülést okozhat.
- **Ne tegye ki az akkucsomagot vagy az eszközt túl magas hőmérsékleti hatásnak és ne tegye tűzbe ezeket.** A tűznek vagy a 130°C feletti hőmérsékletnek való kitettség robbanást okozhat.
- **Tartsa be az összes feltöltési utasítást és ne töltse az akkucsomagot vagy az eszközt az utasításban megadott hőmérséklet-tartományon kívül.** A helytelen töltés vagy a megadott tartományon kívüli hőmérsékleten való feltöltés az akkumulátort károsíthatja, és a tűzveszély kockázatát növelheti.

## SZERVIZELÉS

- **A szerszámgépet csak szakképzett szervizszakemberrel szervizeltesse, csak azonos cserealkatrészeket használva.** Ez biztosítja, hogy a szerszámgép használata továbbra is biztonságos legyen.
- **Soha ne javítson sérült akkucsomagokat.** Az akkumulátorok javítását csak a gyártó vagy a hivatalos szervizek végezhetik.

## GÉRVÁGÓ FÜRÉSZEK BIZTONSÁGI ÚTMUTATÁSAI

- **A gérvágó fűrész fa vagy faszzerű termékek vágására szolgál, nem használható abrazív vágókoronggal vastartalmú anyagok (például rudak, huzalok, csapok stb.) vágására.** A csiszolópor a mozgóalkatrészek, például az alsó védőelem, beragadását okozhatja. Az abrazív vágás szikrái leégetik az alsó védőelemet, a fűrészjárat betétjét és más műanyag alkatrészeket.
- **Amikor lehetséges, használjon szorítókat a munkadarab rögzítéséhez.** Ha a munkadarabot kézzel tartja, akkor a kezét a fűrésztartcsa minden oldalától legalább 100 mm távolságra tartsa. Ne használja a fűrész tartcsa munkadarabok vágására, amelyek túl kicsik ahhoz, hogy biztosan befogja, vagy kézzel megtartsa. Ha a keze túl közel van a fűrésztartcsához, akkor a pengével való lehetséges érintkezés miatt nagyobb a sérülés kockázata.
- **A munkadarabnak fix helyen kell lennie, rögzíteni kell vagy a határoló vas és az asztal között kell megtartani.** A munkadarabot ne adagolja a





fűrészhez, és ne vágjon szabad kézzel semmilyen körülmények között. A nem befogott vagy mozgó munkadarabok nagy sebességen elmozdulhatnak, és sérülést okozhatnak.

- **Tolja át a fűrészét a munkadarabon. Ne húzza át a fűrészét a munkadarabon. A vágáshoz emelje fel a fűrészfejet és húzza át a munkadarabon vágás nélkül, indítsa el a motort, nyomja le a fűrészfejet és tolja át a fűrészét a munkadarabon.** A húzó mozdulattal való vágással a fűrész tárcsa nagy valószínűséggel a munkadarab tetejére mozdulhat el, és a kezelő irányába erősen megdobhatja a lapot.
- **Soha ne tegye a kezét a tervezett vágás vonalába, sem a fűrész tárcsa elé, sem az mögé.** A munkadarabot keresztben tartani, azaz a munkadarabot a fűrész tárcsától balra tartani a jobb kezével, vagy fordítva, nagyon veszélyes.
- **A kezével a határoló vasat a fűrész tárcsa egyik oldalához képest se közelítse meg 100 mm-nél kisebb távolságban, faforgács eltávolítására, vagy semmilyen más okból sem, amikor a fűrész tárcsa forog.** A forgó fűrész tárcsa kezéhez való közelsége lehet, hogy nem nyilvánvaló, és komoly sérülést okozhat.
- **Vágás előtt vizsgálja meg a munkadarabot. Ha a munkadarab meghajlott vagy megvetemedett, akkor a hajlott felület külsejét erősítse a határoló vashoz. Mindig győződjön meg róla, hogy ne legyen rés a vágás vonala mentén a munkadarab, a határoló vas és a munkaasztal között.** A meghajlott vagy megvetemedett munkadarabok elfordulhatnak vagy eltolódhatnak és vágáskor megakadhatnak a forgó fűrész tárcsán. A munkadarabon ne legyen szög vagy idegen tárgy.
- **Ne használja addig a fűrészét, amíg a munkaasztalon a munkadarabon kívül bármi más, pl. szerszám, faforgács stb., van.** A forgó fűrész tárcsa az apró hulladékhoz, a laza fadarabokhoz vagy egyéb tárgyakhoz érhet, és azokat nagy sebességgel elmozdíthatja.
- **Egyszerre csak egy munkadarabot vágjon.** A halmozott munkadarabokat nem lehet megfelelően befogni, megtámasztani és a fűrész tárcsára szoríthatnak vagy elmozdulhatnak vágás közben.
- **Használat előtt biztosítsa, hogy a gérvágó fűrész vízszintes, szilárd felületre legyen helyezve.** A vízszintes, szilárd felület csökkenti annak kockázatát, hogy a gérvágó fűrész instabil legyen.
- **Tervezze meg a munkát. Minden alkalommal, amikor a hegyesszög vagy a félderékszög beállítását módosítja, győződjön meg róla, hogy a beállítható határoló vas a munkadarab megtámasztásához megfelelően legyen igazítva és ne ütközzön a fűrész tárcsával vagy a védőrendszerrel.** Anélkül, hogy az eszközt „BE”-kapcsolná, és úgy hogy a munkaasztalon nincs rajta a munkadarab, vezesse át a fűrész tárcsát és szimulálja a vágást. Így biztosíthatja, hogy ne legyen zavaró hatás, vagy a határoló vas átvágásának veszélye ne merüljön fel.
- **Ha a munkadarab a munkaasztal felső részénél hosszabb vagy szélesebb, biztosítson megfelelő**

támasztást, például munkaasztaltoldást, fűrészbakot stb. Ha a munkadarab hosszabb vagy szélesebb, mint a gérvágó fűrész munkaasztala, akkor az nem biztos támaszték esetén elbillenhet. Ha a levágott darab vagy a munkadarab elbillen, akkor az felemelheti az alsó védőelemet vagy a forgó fűrész tárcsa megdobhatja.

- **Ne kérje másik ember segítségét a munkaasztal megtöltése helyett vagy további támaszként.** A munkadarab nem stabil támasztéka a fűrész tárcsa megakadását vagy a munkadarab eltolódását okozhatja a vágóművelet során, ami Önt vagy a segítő személyt a forgó fűrész tárcsa felé húzhatja.
- **A levágott munkadarab semmi esetben sem szorulhat vagy nyomódhat be a forgó fűrész tárcsával szemben.** Ha beszorul, például hosszútűközvet, a levágott munkadarab a fűrész tárcsa közé ékelődhet, és a gép erősen megdobhatja.
- **A kerek alapanyagokhoz, például rudakhoz vagy csövekhez, mindig használjon bilincset vagy rögzítőelemet, amely a megfelelő támasztást szolgálja.** A rudak általában átfordulnak vágás közben és ez a fűrész tárcsa „harapását” okozza, a munkadarabot pedig a kezével együtt a fűrész tárcsába húzza.
- **Várja meg, amíg a fűrész tárcsa a teljes sebességet eléri, mielőtt hozzáérne a munkadarabhoz.** Ez csökkenti a munkadarab megdobásának kockázatát.
- **Ha a munkadarab vagy a fűrész lap elakad, kapcsolja "KI" a gérvágót. Várja meg, amíg az összes mozgó alkatrész megáll, és húzza ki a csatlakozódugót a konnektorból és/vagy vegye ki az akkumulátort. Azután távolítsa el a beragadt anyagot.** A beragadt munkadarabbal való folytatólagos fűrészeléskor elveszítheti a a gérvágó irányítását, vagy kárt tehet benne.
- **A vágás befejezése után oldja ki a kapcsolót, tartsa lefelé a fűrészfejet és várja meg, amíg a fűrész tárcsa leáll, és csak ezután távolítsa el a munkadarabot.** A forgó tárcsa közelébe nyúlni veszélyes.

## BIZTONSÁGI ÚTMUTATÓ FAVÁGÓ LAPOKHOZ

- A fűrész tárcsa és a termék használata előtt, kérjük, olvassa el figyelmesen a kézikönyvet és a használati utasítást.
- A meghajtó eszköznek megfelelő állapotban kell lennie, a tengelynek deformációtól és rezgéstől mentesen kell forognia.
- Ne használja úgy a terméket, hogy a védőelemek nincsenek a helyükön. A védőberendezések legyenek működőképes, megfelelően karbantartott állapotban.
- Biztosítsa, hogy a gépkezelő a biztonsági óvintézkedésekről, a termék beállításáról és működtetéséről megfelelő képzést kapjon.
- A termék használatakor mindig viseljen védőszemüveget és hallásvédőt. Védőkesztyű, zárt és csúszásmentes cipő, valamint védőkötény használata szintén javasolt.
- Bármilyen tartozék használata előtt olvassa el a használati útmutatót. Bármely tartozék helytelen



használata az eszköz károsodását okozhatja, és növelheti a sérülésveszélyt.

- Csak az útmutatóban meghatározott fűrészlapot használjon, amely megfelel az EN 847-1 előírásainak.
- Ügyeljen a fűrészlapon látható maximális fordulatszámra. Ügyeljen arra, hogy a fűrészlap oldalán megadott fordulatszámérték legalább annyi legyen, mint a fűrészlen megadott.
- Kizárólag olyan tárcsákat használjon, melyek mérete és formája megfelel a tengely furatátmérőjének. Egy, a hajtótengelynek nem megfelelő fűrész tárcsa nem fog megfelelőképp fogorni, és így ahhoz vezethet, hogy elveszíti uralmát a gép felett.
- Ne használjon az ajánltnál nagyobb vagy kisebb átmérőjű fűrészlapokat. Ne használjon távtartókat ahhoz, hogy a fűrészlap illeszkedjen az orsóra.
- Használat előtt ellenőrizze a fűrészkorong éleit, nem sérültek-e meg, és nem tűnnek-e szabálytalanok. A sérült vagy kilazult fűrészkorongélek használat közben elrepülhetnek, és megnövelhetik a személyi sérülés kockázatát.
- Tilos repedt vagy deformált fűrészlapot használni! Ne használjon sérült vagy deformálódott vágólapot.
- Selejtezze le a fűrészkorongot, ha megsérült, eldeformálódott, eltorzult vagy megrepedt, javítása tilos.
- Ne használjon HSS fűrészlapokat.
- Biztosítsa, hogy a fűrész tárcsa megfelelően legyen felszerelve, használat előtt szorítsa meg biztosan a rud anyagját (kb. 12-15 Nm meghúzónyomaték).
- A rögzítőcsavarokat és anyákat a megfelelő csavarkulccsal stb. kell megszorítani.
- A csavarkulcs meghosszabbítása, illetve a rá kifejett kalapácsütésekkel történő megszorítás tilos.
- Ellenőrizze, hogy a teljes fűrészlap és peremek tiszták, és a gallér rovatkás oldala van a fűrészlapnál.
- Ellenőrizze, hogy a fűrészlap a megfelelő irányba forog.
- A munka megkezdése előtt bekapcsolt motor nélkül végezzen egy próbavágást a vágótárcsa helyzete, a védőberendezések működése, a gép más részei és a munkadarab helyzete ellenőrzése céljából.
- Soha ne hagyja felügyelet nélkül a gépet.
- Ne vigyen fel kenőanyagot a fűrészlapra, ha forog.
- Ne hajtson végre semmilyen tisztítási vagy karbantartási műveletet, ha a gép még forog és a fej nincs nyugalmi pozícióban.
- Ne próbálja hirtelen megállítani a gépet, ha mozgásban van, úgy, hogy beakaszt egy szerszámot vagy más tárgyat a fűrészlapba, mert ez súlyos balesetet okozhat.
- Karbantartás vagy fűrész tárcsacsere előtt húzza ki a termék csatlakozódugóját a konnektorból, vagy vegye ki az akkumulátort.
- Figyeljen oda a fűrészlap ki- és becsomagolásakor, könnyen megsérülhet az éles élek miatt.
- Használjon tartót vagy viseljen kesztyűt a fűrészlap kezelésekor.
- A fűrészlapot az eredeti csomagolásban vagy más erre alkalmas tartóban tárolja, száraz helyen és a

fűrészlapot esetleg károsító vegyszerektől távol.

## TOVÁBBI BIZTONSÁGI FIGYELMEZTETÉSEK

- Mindig biztonságosan és erősen rögzítse a munkadarabot.
- Biztosítani kell, hogy a gép helyzete állandóan biztonságos legyen (pl. rögzítve legyen a munkapadon).
- Viseljen hallásvédőt. A fokozott zajhatás hosszú távon a hallás elvesztését eredményezheti.
- A termék használatakor mindig viseljen védőszemüveget. Javasolt kesztyűt viselni a fűrészlapok és a durva anyagok kezelésekor, emellett vastkos és csúszásgátló cipőt, hogy védje a lábait a vágási területről leeső munkadarabokkal szemben.
- Karbantartás vagy a termék tisztítása előtt húzza ki a termék csatlakozódugóját a konnektorból, vagy vegye ki az akkumulátort.
- Csak akkor helyezze be az akkumulátort, amikor a termék ki van kapcsolva.
- Ne nyúljon a fűrészlap körüli területre, amíg a fűrészlap teljesen meg nem áll.
- Használat előtt alaposan ellenőrizze a terméket és az akkumulátort bármilyen sérülés vagy anyagfáradás szempontjából. A teljes termék javítását csak hivatalos szervizközpont végezze.
- Mindig használja a termékben a védőelemeket. Ne használja a terméket, ha a védőelemek nincsenek a helyükön, vagy nem megfelelően működnek.
- Az alsó fűrész tárcsa csak akkor legyen nyitva, ha a tárcsa a munkadarabhoz le van eresztve, és mindig szabadon kell tudni mozognia és automatikusan kell záródnia.
- Mindig használjon a munkadarab-támasztáshoz hosszabbítórudat és rögzítse azt a munka során.
- Soha ne módosítsa a terméket vagy funkcióját. A biztonsága veszélybe kerülhet.
- Ne használjon megrepedt, károsodott vagy sérült fűrészlapokat.
- Ne használjanak gyorsacélból készült fűrészlapokat!
- Csak éles fűrészlapokat használjon. Cserélje ki a tompa fűrészlapokat.
- Kizárólag olyan tárcsákat használjon, melyek mérete és formája megfelel a tengely furatátmérőjének. Egy, a hajtótengelynek nem megfelelő fűrész tárcsa nem fog megfelelőképp fogorni, és így ahhoz vezethet, hogy elveszíti uralmát a gép felett.
- Csak a jelen kézikönyvben meghatározott, fagegmunkáló fűrész tárcsát használjon, amely megfelel az EN 847-1 szabványnak.
- Ne használjon a mellékeltől vagy a kezelési útmutatóban megadottól eltérő peremet, alátétet és csavaranyát a fűrészlap rögzítéséhez.
- Válasszanak a vágni kívánt anyagnak megfelelő fűrészlapot! Soha ne használjon a kézikönyv rendeltetésszerű használat szakaszában megadott anyagoktól eltérő anyagokat.
- Fontos, hogy a fűrész tárcsa túlhevítését és a műanyag megolvadását a vágás során elkerülje.





- Lényeges, hogy a fűrésztárcsán megadott maximális sebességet betartsa, csak az eszközön szereplő sebességnek megfelelő vagy annál magasabb értékű tartalmazó fűrésztárcsát használjon.
- Elhasználódás vagy sérülés esetén cserélje ki az asztalbetétet.
- A munka megkezdése előtt bekapcsolt motor nélkül végezzen egy próbavágást a vágótárcsa helyzete, a védőberendezések működése, a gép más részei és a munkadarab helyzete ellenőrzése céljából.
- Amikor gérvágást, ferde vágást vagy összetett gérvágást végez, állítsa be a csúszó-vezetőléceket vagy az alsó vezetőléceket, hogy a fűrésztárcsától való megfelelő mozgásteret biztosítsa.
- A termék szállításakor a fogókarzárát mindig alkalmazni kell.
- A munkaterületen ne legyenek hulladékok, pl. fűrészpor vagy levágott darabok.
- Ha a gép jár és a fűrészfej nincs nyugalmi állapotban, nem szabad eltávolítani fűrészelési maradványokat vagy más munkadarabrészeket a fűrészelési tartományból.
- A hosszú munkadarabokat alkalmas módon meg kell támasztani. A fűrész munkaterülete a teljes munkadarabot magába foglalja. A kezelőnek biztosítania kell ezt a területet a működtetés során a munkadarabot esetleg mozgató más személyekkel vagy tárgyakkal való véletlen érintkezés ellen.
- A termék használata során termelt por az egészségre káros lehet. Használjon porkihordó rendszert, és viseljen megfelelő pormaszkot. Alaposan távolítsa el a lerakódott port, pl. egy porszívóval.
- Ne cserélje ki a lézert más típusúra. Javítást csak a gyártó vagy a márkaszerviz végezhet.
- Az eszköz környezeti hőmérséklet-tartománya a működés során: 0°C - 40°C.
- Az eszköz környezeti hőmérséklet-tartománya a tárolás során: 0°C - 40°C.
- A töltőrendszer ajánlott környezeti hőmérséklet-tartománya töltés során: 10°C - 38°C.

### LÍTIUM AKKUMULÁTOROK SZÁLLÍTÁSA

Az akkumulátorokat a helyi és nemzeti előírásokkal és szabályokkal összhangban szállítsa.

Az elemek külső fél általi szállításakor kövesse a csomagolásra és a címkézésre vonatkozó speciális előírásokat. Ügyeljen arra, hogy az akkumulátorok ne érhessenek más akkumulátorokhoz vagy vezető anyagokhoz szállítás közben; ehhez a szabadon maradt csatlakozókat védje szigetelő fedéllel vagy szalaggal. Ne szállítson repedt vagy szivárgó akkumulátorokat. További információért vegye fel a kapcsolatot a továbbítást végző céggel.

### AZ AKKUMULÁTOR KIEGÉSZÍTŐ BIZTONSÁGI FIGYELMEZTETÉSEI

#### ⚠ FIGYELEM

A rövidzárlat általi tűz, sérülések vagy termékkárosodások veszélye elkerülésére ne merítse a szerszámot, a cserélhető akkut vagy a töltőkészüléket folyadékokba, és gondoskodjon arról, hogy ne hatoljanak folyadékok a készülékekbe és az akkukba. A korrozív hatású vagy vezetőképes folyadékok, mint pl. a sós víz, bizonyos vegyi anyagok, fehéritők vagy fehéritő tartalmú termékek, rövidzárlatot okozhatnak.

- Az akkumulátor környezeti hőmérséklet-tartománya a használat során: 0°C - 40°C.
- Az akkumulátor környezeti hőmérséklet-tartománya a tárolás során: 0°C - 20°C.

### A LÉZER BIZTONSÁGOS HASZNÁLATA

- A fűrészben használt lézersugár besorolása: Class 2, legfeljebb ≤1mW teljesítménnyel és 650 nm hullámhosszal. Ne nézzen közvetlenül a lézersugárba. A szabályok mellőzése súlyos személyi sérülést eredményezhet.
- Ne nézzen a sugárba a gép használata közben.
- Ne irányítsa a lézersugarat mások szemébe. Ez komoly szemsérülést eredményezhet.
- Ne tegye le a lézert olyan helyzetben, hogy valaki szándékosan vagy véletlenül a lézersugár útjába kerülhessen.
- Ne használjon optikai eszközöket a lézersugár láthatóvá tételére.
- Ne használja a lézert gyerekek mellett, és ne engedje, hogy azt gyerekek használják.
- Ne próbálja egyedül megjavítani a lézerberendezést.
- Ne próbálja meg önmaga kicserélni a lézerkészülék egyik alkotórészét sem.
- A javításokat csak a lézer gyártója vagy a hivatalos szerveze végezheti el.
- Ne cserélje ki a lézert más típusúra.

### VISSZAMARADÓ KOCKÁZATOK

Még a termék rendeltetésszerű használata esetén sem lehet teljesen kiküszöbölni minden kockázati tényezőt. A gép használata során a következő veszélyek merülhetnek fel, és a kezelőnek különösen oda kell figyelnie az alábbiak elkerülésére:

- Érintkezésveszély a forgó fűrészlap nem védett részeivel.
- A munkadarabok és annak darabjainak kivetődése a gép nem megfelelő kezelése miatt.
- Hibás karbid élek letörése a fűrészlapról.
- Légzőszervi károsodás.

**MEGJEGYZÉS:** Viseljen légszvédő maszkot, ami a megmunkálendő anyagoknak megfelelő szűrőket tartalmaz Biztosítson megfelelő szellőztetést. Ne egyen, igyon vagy dohányozzon a munkaterületen.



- Halláskárosodás a fül viseletének elmulasztása miatt.

### ▲ FIGYELEM

Bizonyos festékekből, bevonatokból és anyagokból a por irritációt vagy allergiás reakciót válthat ki a légzőrendszerben. A fából, pl. tölgy, bükk, MDF stb. származó por rákkeltő. Az azbesztesztet tartalmazó anyaggal csak szakképzett kezelők dolgozhatnak, illetve csak ők dolgozhatják azt fel.

### ▲ FIGYELEM

A gép hosszabb idejű folyamatos használata sérüléseket okozhat vagy súlyosbíthatja a tüneteket. Ha a gépet hosszú időn át kell használnia, tartson gyakran szünetet.

## ISMERJE MEG A TERMÉKET

215. oldal.

1. Kar, szigetelt fogófelület
2. Főkapcsoló
3. Biztonsági reteszelő fogantyú
4. Felső fűrészlemez-védő
5. Fűrészlap
6. Alsó fűrészlemez-védő
7. Fő vezetősín
8. Forgóasztal
9. Alaplap
10. Asztalbetét
11. Forgóasztal reteszelő fogantyú
12. Kiegyensúlyozható lábak
13. Billenésgátló rúd
14. Lézerkapcsoló
15. Felső kar, szigetelt fogófelület
16. Perem
17. Keretütköző
18. Ferdeszög rögzítőkarja
19. Bilincs
20. Csúszó vezetősín
21. Rögzítőfurat
22. Hosszabbító rúd
23. Fő vezetőléccet rögzítő csavarok
24. Tengely reteszgomb
25. Akkumulátor
26. Porzsák
27. Vágásmélység beállítógomb
28. Maximális vágási mélység ütköző
29. Lineáris rúd ütközőgomb
30. Csavarok a ferdevágási szög végállás ütköző beállításához
31. Imbuszkulcs

## HASZNÁLAT

A termék egy forgó fűrészlappal rendelkezik, amelyet a kezelő különböző szögekbe tud beállítani a munkadarab vágásakor, ami szilárdan rögzítve van a termék alapjához. A terméket csak egy személy működtetheti, hogy elkerülhető legyen a forgó fűrészlappal való véletlenszerű érintkezés.

A termék biztonságos működésére vonatkozó elvek a

következők:

- A fűrész, a fűrészlapokat és a munkaterületet tartsa jó állapotban.
- Rögzítse a gérvágó fűrész alapzatát egy robusztus munkapadhoz. A termék mozoghat és átfordulhat, ha nincs megfelelően rögzítve.
- A vágás előtt állítsa be és rögzítse a vágási szögeket és mélységet.
- Rögzítse a munkadarabot a gérvágó fűrész alapzatához. A mellékelt szorítókkal és – ahol szükséges – további szorítókkal vagy rögzítő mechanizmusokkal rögzítse a munkadarabot, hogy vágás közben ne tudjon véletlenül elmozdulni.
  - Ellenőrizze, hogy a fűrészlap védőburkolatok működését nem korlátozza a munkadarab pozíciója.
  - Ellenőrizze, hogy a vezetősín és a termék többi alkatrésze nem lesznek elvágyva, ha a fűrészlap leereszkedik vágási pozícióba.
- Indítsa el a motort, és hagyja, hogy a fűrészlap elérje a teljes fordulatszámot, mielőtt lassan leengedi azt a munkadarabra. Tolja el a vágószerkezetet hátrafelé, hogy a vágást szükség szerint elvégezze.
- Hagyja, hogy a fűrészlap szerelvény felemelkedjen a felső állásba, ahol a fűrészlap védőburkolatok teljesen zárva vannak. Kapcsolja ki a motort, és hagyja teljesen megállni a fűrészlapot, mielőtt eltávolítaná a munkadarabot vagy a levágot részeket, vagy mielőtt benyúlna a fűrészlap körüli területre.

Az első használat előtt ellenőrizze, hogy a terméken beállított ferde- vagy gérvágási szög megegyezik a munkadarabon kapott vágásával. Ellenőrizze ezt egy kiselejtezett fadarabon egy ácsderékszög vagy félderékszögmérő segítségével.

### ▲ FIGYELEM

A gyártó erősen javasolja, hogy a terméket mindig erősen rögzítse egy munkapad tetejére.

Ha a termék talpát négy anyacsavarral, csavarral és alátéttel az útmutatás szerint, szilárdan rögzítették egy munkaasztalhoz, akkor a termék a maximális ferde- és gérvágási beállítással használható, úgy hogy az nem borulhat fel. Ha a termék nem megfelelően van rögzítve, kibillenhet az egyensúlyából, ha nagy ferdevágási szög van kiválasztva.

A gérvágó fűrész alapzatának elején egy kiálló rúd található, ami teljesen kihúzható. Ez segít megakadályozni a gérvágó fűrész felborulását.

Van egy állítható csavar (kiegyenlíthető láb), ami kiáll a hosszabbító forgóasztal aljából. Ezt a csavart úgy kell beállítani, hogy érintkezzen a lapos felülettel, amelyen a termék fekszik. Ez megakadályozza a termék felborulását, amikor a vágás a csúszó vagy a ferdevágó teljes hosszában történik. Vigyázzon, mert a fűrészasztal ezen része mozog a különböző gérvágó szögek kiválasztásakor, így a csavart gyakran utána vagy vissza kell állítani.

## KARBANTARTÁS

- Semmilyen módon ne módosítsa a terméket, és ne használjon a gyártó által nem jóváhagyott tartozékokat. Az Ön és mások biztonsága veszélybe kerülhet.
- Ne használja a terméket, ha valamelyik kapcsoló, védőburkolat vagy egyéb funkció nem rendeltetésszerűen működik. Szakszerű javításhoz vigye a gépet egy hivatalos szervizközpontba.
- Ne végezzen semmilyen beállítást, amikor a fűrészlap forog.
- Beállítások, karbantartás végzése vagy olajozás előtt mindig biztosítsa, hogy az akkumulátor a termékből el legyen távolítva.
- Károsodás vagy törött alkatrészek tekintetében minden egyes használat előtt ellenőrizze a terméket. Tartsa a terméket kiváló működési állapotban, azonnal cserélje le az alkatrészeket a gyártó által biztosított cserealkatrészekre.
- A kés éles és a vágás után forró lehet. A kés tisztítását rendkívüli óvatossággal végezze. A személyi sérülések elkerülése érdekében viseljen kesztyűt.
- Rendszeresen portalanítsa a fűrész és tartozékait, különösen a mozgó alkatrészeket, beleértve a fűrészlátrcsa védőelemét is. A por hatékony eltávolításához használjon kézikéfé vagy porszívót. Ne használjon sűrített levegőt.
- A biztonság és megbízhatóság érdekében minden javítást, beleértve a kék cseréjét is, hivatalos szervizközpontban kell elvégeztetni.

### ▲ FIGYELEM

Tisztítás vagy javítás céljából ne próbálja meg a fűrészlátrcsa védőszerelvényét leszerelni. Sérült védőelemet ne használjon. Javítás vagy csere céljából vigye vissza egy hivatalos szervizközpontba.

### ▲ FIGYELEM

A nagyobb biztonság és megbízhatóság érdekében minden javítást hivatalos szervizközpontban kell elvégeztetni.

**Gérvágás és ferdeszög kalibrálása**  
Ha a gérvágás és a ferdeszög kalibrálása szükséges, tekintse meg a 236–242. oldalt és kövesse a kalibrálási utasításokat.

**Maximális vágási mélység ütköző**  
A maximális vágásmélység ütköző annak megakadályozására szolgál, hogy a fűrészlap a termék fémalapjába vágjon.

### ▲ FIGYELEM

A maximális vágásmélység ütközőt a felhasználó nem szabályozhatja. Ne állítsa át a maximális vágásmélység ütközőt.

## SZÁLLÍTÁS ÉS TÁROLÁS

- A termék tárolásakor távolítsa el az akkumulátort. Gyerekektől elzárt helyen tárolja a terméket.
- Tárolás előtt egy kefével vagy porszívóval tisztítsa meg a terméket.
- Ha eltávolítja a fűrészlapot vagy a pót fűrészlapokat az egységnél tartja, a sérülés elkerülése érdekében ügyeljen rá, hogy azok az eredeti csomagolásban legyenek.

### A termék rögzítéséhez a mozgatás előtt:

- A terméket nulla gérvágó és ferdevágási szögbe beállítva és rögzített állásban kell eltárolni. A csúszót rögzíteni kell. A fogantyút zárt védőburkolattal rögzíteni kell az alsó (biztonsági) pozícióba.
- A hosszabbítórúd egyik vagy mindkét fele eltávolítható a könnyebb szállítás érdekében.

### Mozgatás vagy járművön való szállítás:

- Mozgatás előtt rögzítse a terméket a kézikönyvben leírtak szerint.
- A sarkoknál található 4 csavar kioldásával távolítsa el a terméket a munkapadról. Őrizze meg a csavarokat későbbi felhasználásra. A tetején lévő fogantyúnál emelje fel a terméket.
- Adott magasságra emeléshez nehéz igénybevételre tervezett kesztyűt viselő két személy emelje meg a termék alapját.
- Járműben való szállításkor állítsa a terméket az alapzatára, és rögzítse azt a mozgás ellen.

## KÖRNYEZETVÉDELEM



Segítse elő az alapanyagok újrahasznosítását azzal, hogy nem helyezi el őket a háztartási szemétkben. Környezetvédelmi megfontolásból az elhasználadott gépet és tartozékokat, valamint a csomagolóanyagokat szelektív módon kell gyűjteni.

## SZIMBÓLUMOK A TERMÉKEN



Biztonsági figyelmeztetés



CE megfelelés



Eurázsiai megfelelőségi jelzés



Ukrainai megfelelőségi nyilatkozat



A gép bekapcsolása előtt figyelmesen olvassa el az útmutatót.



Viseljen fülvédőt



Mindig viseljen védőszemüveget.



A kezét tartsa távol a vágási területtől és a fűrészlaptól.



Ne tegye ki esőnek és ne használja nedves környezetben.



Viseljen védőkesztyűt



Tárcsa forgásiránya (a fűrészlaptárcsán jelezve)



Fűrészlap forgásiránya (a fűrészlapvédőn látható)



Tárcsa vágási szélessége (fűrészjárat)



Fogak száma ezen a fűrészlaptárcsán



Vágásteljesítmény (vágási vastagság)



Fa és hasonló anyagok vágásához



Nem használható fém vágásához



Lézersugárzás.  
Ne nézzen a lézersugárba.  
2. osztályú lézeres termék

A kiselejtezett elektromos termékeket nem szabad a háztartási hulladékkal együtt kidobni. Ezeket újra kell hasznosítani, ha van rá lehetőség. Az újrahasznosítással kapcsolatban érdeklődjön a helyi önkormányzatnál vagy a termék forgalmazójánál.



Szétnyitás



A reteszelő mechanizmus nem működik



Külön értékesített alkatrészek és kiegészítők



Megjegyzés



Figyelem

A következő jelölőszavak és jelentések arra szolgálnak, hogy megmagyarázzák a termékkel kapcsolatos veszélyességi szinteket.

#### **VESZÉLY**

Egy bekövetkező veszélyes helyzetet jelez, ami, ha nem előzik meg, halált vagy komoly sérülést eredményez.

#### **FIGYELEM**

Egy potenciálisan bekövetkező veszélyes helyzetet jelez, ami, ha nem előzik meg, halált vagy súlyos sérülést eredményezhet.

#### **VIGYÁZAT**

Egy potenciálisan veszélyes helyzetet jelez, ami, ha nem előzik meg, kisebb vagy mérsékelt súlyos sérülést eredményezhet.

#### **VIGYÁZAT**

(Biztonsági figyelmeztető szimbólum nélkül) Egy olyan helyzetet jelez, ami anyagi kárt eredményezhet.

### A KÉZIKÖNYVBEN HASZNÁLT SZIMBÓLUMOK



Retesz



La conceperea fierăstrăului dvs. cu mitră s-au avut în vedere în primul rând siguranța, performanța și fiabilitatea în exploatare.

## DOMENIU DE APLICAȚII

Fierăstrăul cu mitră este conceput pentru a tăia lemn solid sau stratificat, diverse alte materiale similare cu lemnul (cu sau fără furnir), precum și materiale plastice.

Produsul trebuie utilizat doar de operatorii adulți, care au citit manualul de instrucțiuni și înțeleg riscurile și pericolele de accidentare.

Acest produs trebuie fixat pe un banc de lucru solid. Dacă baza nu este fixată bine, întregul echipament ar putea să se miște în timpul operațiunilor de tăiere, ceea ce crește posibilitatea de vătămare personală gravă.

Produsul este conceput pentru a efectua tăieri la unghi și cu ajutorul mitrei. Dimensiunile posibile pentru diferitele tipuri de tăieturi sunt furnizate în specificațiile produsului din acest manual.

Produsul trebuie folosit în medii uscate, cu lumină și ventilație adecvată.

Produsul este destinat pentru uz comercial și trebuie folosit doar așa cum este descris mai sus și pentru niciun alt scop.

## AVERTIZĂRI DE SIGURANȚĂ GENERALE PENTRU APARAT

### ⚠ AVERTISMENT

**Citiți, cu atenție, toate avertismentele, instrucțiunile și specificațiile furnizate împreună cu aparatul, și consultați ilustrațiile.** Nerespectarea instrucțiunilor prezentate în continuare poate provoca accidente cum ar fi incendii, electrocutare și/sau vătămări corporale grave.

**Salvați toate avertizările și instrucțiunile pentru o consultare ulterioară.** Termenul „unealtă electrică” din avertizări se referă la unealta dvs. electrică alimentată la curent (cu fir) sau la baterie (fără fir).

## SIGURANȚA ZONEI DE LUCRU

- **Mențineți curată și bine iluminată zona de lucru.** Zonele dezordonate și întunecate prezintă pericol de accidente.
- **Nu operați cu unealta electrică în atmosfere explozive, precum în prezența lichidelor, gazelor sau a prafului inflamabil(e).** Unelele electrice creează scântei care pot aprinde praful sau vaporii.
- **Țineți copiii și persoanele din jur la distanță în timpul operării unei unele electrice.** Distragerea atenției vă poate face să pierdeți controlul.

## SIGURANȚĂ ELECTRICĂ

- **Ștecărele uneltelor electrice trebuie să se potrivească cu priza.** Nu modificați niciodată ștecărul în nici un fel. Nu folosiți niciodată adaptoare de ștecăr cu uneltele electrice cu împământare. Ștecărele nemodificate și prizele potrivite reduc riscul de electrocutare.

- **Evitați contactul corpului cu suprafețele conectate la împământare, precum țevi, radiatoare, reșouri, mașini de gătit și frigider.** Există un risc crescut de electrocutare când corpul dumneavoastră are contact cu împământarea.
- **Nu expuneți uneltele electrice la ploaie sau umezeală.** Apa care intră într-o unealtă electrică va crește riscul de electrocutare.
- **Nu forțați cablul.** Nu trageți niciodată unealta electrică de cablul de alimentare pentru a o transporta, a o trage sau a scoate ștecărul din priză. Țineți cordonul la distanță de căldură, ulei, muchii ascuțite sau piese în mișcare. Cablurile deteriorate sau încurcate cresc riscul de electrocutare.
- **Atunci când lucrați cu o unealtă electrică în aer liber, folosiți un prelungitor adecvat pentru utilizarea în aer liber.** Folosirea unui prelungitor adecvat pentru utilizarea în aer liber reduce riscul de electrocutare.
- **În cazul în care operarea uneltelor electrice într-o zonă umedă nu poate fi evitată, folosiți o alimentare protejată cu un dispozitiv de curent rezidual (RCD).** Utilizarea unui RCD reduce riscul de electrocutare.

## SIGURANȚĂ PERSONALĂ

- **Fiți atenți, observați ceea ce faceți și folosiți-vă simțul practic la utilizarea unei unele.** Nu folosiți unealta în timp ce sunteți obosit sau sub influența drogurilor, a alcoolului sau a medicamentelor. Un moment de neatenție în timpul operării uneltelor electrice poate cauza vătămare personală gravă.
- **Purtați echipament de protecție personală. Purtați întotdeauna ochelari de protecție.** Utilizarea echipamentelor de protecție, cum ar fi măști pentru praf, pantofi anti-derapanți sau protecții pentru auz conform condițiilor specifice de lucru ajută la evitarea pericolelor de răni personale.
- **Evitați pornirea accidentală.** Asigurați-vă că pistolul este oprit înainte de a-l conecta la rețea, înainte de a introduce bateria, înainte de a-l ridica sau transporta. Transportarea uneltelor electrice cu degetul pe trăgaciul declanșator sau alimentarea uneltelor cu butonul de pornire apăsat constituie cauze frecvente ale accidentelor.
- **Îndepărtați orice cheie de reglare înainte de a porni unealta.** O cheie sau rămasă atașată de o piesă rotativă a unelei electrice poate cauza vătămări corporale.
- **Nu vă întindeți excesiv.** În timpul operării dispozitivului, păstrați-vă în permanență echilibrul și stabilitatea. Acest lucru permite un mai bun control al unelei electrice în situații neașteptate.
- **Îmbrăcați-vă corespunzător.** Nu purtați haine largi sau bijuterii. Păstrați-vă părul și îmbrăcămintea departe de piesele în mișcare. Hainele largi, bijuteriile sau părul lung pot fi prinse de piesele aflate în mișcare.
- **Dacă dispozitivele sunt echipate cu conectori pentru accesorii de colectare a prafului, asigurați-vă că acestea sunt conectate și utilizate adecvat.** Utilizarea accesoriilor de colectare a prafului poate reduce pericolele provocate de praf.
- **Obișnuința dobândită prin utilizarea frecventă**



a uneltelor nu trebuie să vă faci neglijent sau să vă determine să ignorați principiile de siguranță privind uneltele. O neglijență poate provoca răni grave într-o fracțiune de secundă.

## FOLOSIREA ȘI ÎNTREȚINEREA UNELTEI ELECTRICE

- **Nu forțați unealta.** Folosiți produsul corect pentru aplicația dvs. Produsul corect va îndeplini sarcina mai bine și mai în siguranță la un ritm pentru care a fost proiectat.
- **Nu folosiți unealta electrică dacă comutatorul nu o poate porni și opri.** Orice unealtă electrică, care nu poate fi controlată cu comutatorul este periculoasă și trebuie reparată.
- **Înainte de a efectua reglaje, de a schimba accesoriile sau de a depozita o unealtă electrică, deconectați ștecherul de la rețea și/sau acumulatorul de la unealtă.** Aceste măsuri preventive reduc riscul de pornire accidentală a produsului.
- **Nu lăsați uneltele electrice la îndemâna copiilor și nu permiteți persoanelor nefamiliarizate cu unealta electrică sau cu aceste instrucțiuni să folosească unealta.** Uneltele electrice sunt periculoase în mâinile utilizatorilor neinstruiți.
- **Efectuați regulat lucrări de întreținere a uneltelor electrice și accesoriilor acestora.** Verificați alinierea sau lipirea pieselor în mișcare, spargerea pieselor, precum și orice altă condiție care poate afecta funcționarea uneltei. Dacă este deteriorată, trimiteți unealta în service înainte de utilizare. Multe accidente sunt cauzate de unelte întreținute necorespunzător.
- **Păstrați uneltele de tăiere ascuțite și curate.** Uneltele de tăiere întreținute adecvat și care au muchii tăietoare bine ascuțite prezintă mai puține riscuri de încovoiere și sunt mai ușor de controlat.
- **Utilizați produsul și accesoriile sale în conformitate cu aceste instrucțiuni, luând în considerare condițiile de lucru și operațiile pe care le realizați.** Utilizarea uneltei electrice pentru alte operații decât cele preconizate poate duce la situații periculoase.
- **Păstrați mânerul și suprafețele de prindere uscate, curate și fără urme de ulei sau unsoare.** Mânerul și suprafețele de prindere alunecoase nu permit mânăuirea în siguranță și controlul uneltei în situații neașteptate.

## UTILIZAREA ȘI ÎNTREȚINEREA ACUMULATORULUI UNELTEI

- **Încărcați acumulatorul doar cu încărcătorul specificat de producător.** Un încărcător care poate fi potrivit pentru un tip de baterie, poate crea risc de incendiu când e folosit cu o altă baterie.
- **Utilizați uneltele electrice doar cu acumulatorii special concepuți pentru acestea.** Utilizarea altor acumulatori poate genera riscuri de accidentare și incendiu.
- **Atunci când acumulatorul nu este folosit, țineți-l ferit de alte obiecte de metal precum agrafe pentru hârtie, monede, cui, șuruburi sau alte obiecte mici de metal ce pot face conexiunea unui terminal al bateriei la celălalt.** Scurtcircuitarea bornelor acumulatorului poate conduce la arsuri sau incendii.

- **În condiții de utilizare abuzivă, se poate scurge electrolit din acumulator; evitați contactul cu acesta.** Dacă intrați în contact accidental cu electrolitul, clătiți-vă din abundență cu apă. În cazul în care electrolitul intră în contact cu ochii, clătiți-vă din abundență cu apă și consultați imediat un medic. Electrolitul din acumulator poate cauza iritații sau arsuri.
- **Nu utilizați un acumulator sau o unealtă deteriorată sau modificată.** Acumulatorii deteriorați sau modificați au un comportament imprevizibil și prezintă pericol de incendiu, explozie sau accidentare.
- **Nu expuneți acumulatorul sau unealta la foc sau temperaturi excesive.** Expunerea la foc sau temperaturi de peste 130°C prezintă pericol de explozie.
- **Respectați toate instrucțiunile de încărcare și nu încărcați acumulatorul sau unealta la temperaturi din afara intervalului specificat în instrucțiuni.** Încărcarea necorespunzătoare sau la o temperatură din afara intervalului specificat poate deteriora acumulatorul și crește riscul de incendiu.

## OPERAȚII DE SERVICE

- **Solicitați efectuarea lucrărilor de service la unealta dvs. electrică numai de către o persoană calificată în reparații, folosind numai piese de schimb identice.** Acest lucru va asigura păstrarea în siguranță a uneltei electrice.
- **Nu trebuie să efectuați niciodată reparații asupra acumulatorilor deteriorați.** Reparațiile asupra acumulatorilor trebuie să fie efectuate numai de către producător sau de furnizorii de servicii autorizați.

## INSTRUCȚIUNI DE SIGURANȚĂ PENTRU FIERĂSTRAIELE CU MITRĂ

- **Fierăstraiele cu mitră sunt destinate tăierii lemnului sau materialelor similare. Nu pot fi utilizate cu discuri tăietoare abrazive pentru tăierea materialelor ferose de tipul barelor, tijelor, bolțurilor, etc.** Scânteile produse de tăierea abrazivă vor arde apărătoarea inferioară, insertul pentru disc și alte piese din plastic.
- **Folosiți cleme de prindere pentru piesa de lucru oricând e posibil.** Dacă susțineți piesa în lucru cu mâna, întotdeauna apucați piesa de la o distanță de cel puțin 100 mm distanță față de discul tăietor. Nu utilizați acest fierăstrău la tăierea pieselor care sunt prea mici pentru a fi prinse în menghină sau ținute cu mâna în condiții de siguranță. Dacă țineți mâna prea aproape de discul tăietor, există riscuri crescute de rănire în urma contactului cu acesta.
- **Piesa prelucrată trebuie să fie nemișcată și prinsă în menghină sau ținută apăsat atât pe ghidul de tăiere cât și pe blat.** Nu împingeți cu mâna piesa spre lamă și nu tăiați sub nicio formă "la mână". Piese în lucru nefixate pot fi proiectate la viteze ridicate, provocând răni.
- **Apăsați fierăstrăul pe piesa prelucrată. Nu trageți fierăstrăul prin piesa prelucrată.** Pentru a efectua o tăietură, ridicați capul fierăstrăului și poziționați-l



deasupra piesei în lucru fără a-l așeza pe aceasta, porniți motorul și apăsați fierăstrăul pe piesa în lucru. Tăierea în timpul mișcării spre înapoi a discului poate conduce la urcarea acestuia pe partea de sus a piesei și la aruncarea violentă a ansamblului de tăiere către operator.

- **Nu treceți niciodată mâna peste linia de tăiere, nici prin fața și nici prin spatele discului tăietor.** Sprijinirea piesei în lucru "cu mâinile în cruce", adică ținerea piesei cu mâna stângă în partea din dreapta a discului tăietor și viceversa este extrem de periculoasă.
- **Nu întindeți mâna peste ghidajul de tăiere la mai puțin de 100 mm de laturile discului tăietor pentru a îndepărta resturile de lemn sau din orice alt motiv în timp ce discul se rotește.** Aproximarea discului față de mâna dvs. ar putea să nu fie extrem de evidentă și riscați să vă răniți grav.
- **Inspectați piesa de prelucrat înainte de tăiere.** Dacă aceasta este curbată sau răsucită, fixați-o cu partea curbată îndreptată spre ghidajul de tăiere. Întotdeauna verificați să nu existe spațiu între piesa prelucrată, ghidajul de tăiere și masă pe linia de tăiere. Bucățile de material îndoite sau curbate se pot răsuci sau deplasa, provocând blocarea discului tăietor în timpul tăierii. Verificați să nu existe cuie sau alte obiecte străine în piesa prelucrată.
- **Nu utilizați fierăstrăul înainte de a elibera masa de alte unelte, resturi de lemn, etc., cu excepția piesei în lucru.** Resturile mici, bucățile nefixate de lemn sau alte obiecte pot intra în contact cu discul în rotație și pot fi proiectate cu viteză mare.
- **Nu tăiați decât printr-o singură bucată de material la o tăiere.** Bucățile de material grupate nu pot fi fixate sau sprijinite adecvat și pot bloca discul de tăiere sau se pot răsuci în timpul tăierii.
- **Înainte de utilizare verificați ca fierăstrăul să fie montat sau așezat pe o suprafață plană și stabilă.** O suprafață de lucru plană și stabilă reduce riscul ca fierăstrăul cu mitră să devină instabil.
- **Planificați-vă lucrul. De fiecare dată când schimbați unghiul de tăiere sau reglajul unghiului mitrei, asigurați-vă că ghidajul de tăiere reglabil este poziționat corect pentru a sprijini piesa prelucrată și că nu va atinge discul tăietor sau sistemul de apărători.** Fără a porni motorul uneltei și fără a avea o piesă pe masa de lucru, efectuați o mișcare completă de simulare a tăierii cu fierăstrăul pentru a vă asigura că nu există obstacole sau pericol de tăiere a ghidajului.
- **Pentru piesele cu dimensiuni mai mari decât cele ale blatului mesei de lucru, folosiți suporturi adecvați, cum ar fi extensii pentru blat, capre, etc.** Piese de prelucrat mai lungi sau mai late decât blatul fierăstrăului cu mitră se pot înclina dacă nu sunt sprijinite adecvat. Dacă bucata tăiată sau piesa în lucru se înclină, poate ridica apărătoarea inferioară sau poate fi aruncată spre discul în rotație.
- **Nu utilizați o altă persoană ca substitut pentru extensia blatului sau ca sprijin suplimentar.** Sprijinirea necorespunzătoare a piesei în lucru poate conduce la încovoierea discului tăietor sau la deplasarea acesteia în timpul tăierii, trăgându-vă pe

dvs. și pe persoana care vă ajută spre discul în rotație.

- **Bucata de material tăiată nu trebuie blocată sau presată prin alte mijloace spre discul tăietor al fierăstrăului.** Dacă este blocată, de exemplu dacă se utilizează opritoare pe lungime, bucata de material tăiată se poate propti în discul tăietor și, ca urmare, poate fi aruncată cu violență.
- **Utilizați întotdeauna o menhină sau alte mijloace de fixare pentru a susține corespunzător materialele rotunde de tipul țelilor sau țevilor.** Obiectele cilindrice au tendința de a se roti în timpul tăierii, făcând ca discul tăietor să "muște" din material și ca urmare să tragă piesa împreună cu mâna dvs. spre disc.
- **Permiteți discului tăietor să atingă viteza de rotație maximă înainte de a-l introduce în material.** Acest fapt va reduce riscul ca piesa în lucru să fie aruncată.
- **Dacă piesa în lucru sau pânda se blochează, opriți imediat produsul. Așteptați ca toate piesele în mișcare să se oprească și deconectați cordonul de alimentare și/sau acumulatorul. Apoi interveniți pentru a îndepărta materialul blocat.** Continuarea tăierii într-o bucată de material blocată în disc poate conduce la pierderea controlului asupra fierăstrăului cu mitră sau la deteriorarea acestuia.
- **După ce ați terminat tăietura, eliberați comutatorul de pornire, țineți fierăstrăul în poziția coborât și așteptați ca discul tăietor să se oprească din rotație înainte de a scoate piesa tăiată.** Este periculos să întindeți mâna pe lângă un disc aflat încă în rotație.

## INSTRUCȚIUNI DE SIGURANȚĂ ALE DISCULUI DE TĂIAT LEMN

- **Vă rugăm să citiți cu atenție manualul și instrucțiunile înainte de a utiliza discul tăietor și produsul.**
- **Fierăstrăul trebuie să se afle în stare de funcționare optimă, iar axul nu trebuie să fie deformat sau să provoace vibrații.**
- **Nu utilizați produsul fără ca apărătorile să fie pe poziție. Țineți apărătorile în stare bună de funcționare și întreținute corespunzător.**
- **Asigurați-vă că operatorul produsului este instruit cu privire la măsurile de siguranță, reglajele și operarea acestuia.**
- **Când utilizați produsul, purtați întotdeauna ochelari și protecții pentru urechi. Se recomandă purtarea mănușilor, a încălțămintei solide nealunecoase și a șorțului de protecție.**
- **Înainte de a utiliza orice accesoriu, consultați manualul de instrucțiuni. Utilizarea necorespunzătoare a unui accesoriu poate deteriora echipamentul și crește șansele de accidentare.**
- **Folosiți numai pânze specificate în acest manual, în conformitate cu EN 847-1.**
- **Respectați turația maximă marcată pe pânda de ferăstrău. Asigurați-vă că viteza marcată pe discul ferăstrăului este cel puțin egală cu viteza marcată pe ferăstrău.**
- **Utilizați întotdeauna lame de mărimea și forma adaptate la diametrul axului. Lamele neadaptate la axul**

EN  
FR  
DE  
ES  
IT  
NL  
PT  
DA  
SV  
FI  
NO  
RU  
PL  
CS  
HU  
RO  
LV  
LT  
ET  
HR  
SK  
SL  
BG  
UK  
TR  
EL





pe care trebuie să fie montate nu se vor roti corect și pot conduce la o pierdere a controlului asupra aparatului.

- Nu folosiți pânze cu diametrul mai mare sau mai mic decât cel recomandat. Nu utilizați distanțiere pentru a fixa pânza pe ax.
- Verificați dinții lamei căutând semne de deteriorare sau aspect anormal înainte de fiecare utilizare. Dinții uzați sau deteriorați pot deveni proiectile în timpul utilizării, crescând riscul unor accidente grave.
- Nu folosiți lame de ferăstrău crăpate sau deformate. Nu folosiți pânze de circular deteriorate ori deformate.
- Casați lama dacă este deteriorată, deformată sau crăpată; repararea nu este permisă.
- Nu utilizați pânze din oțel rapid (HSS).
- Asigurați-vă că discul tăietor este montat corect și strângeți piulița de fixare pe ax la cuplul recomandat înainte de utilizare (cuplul de strângere de aprox. 12-15 Nm).
- Șuruburile și piulițele de fixare trebuie strânse utilizând o șurubelniță adecvată, etc.
- Nu este permisă strângerea șuruburilor cu prelungitoare (pentru creșterea cuplului) sau chei pneumatice.
- Asigurați-vă că toate pânzele și flanșele sunt curate și laturile încastrate ale manșonului se sprijină pe pânză.
- Asigurați-vă că pânza se rotește în direcția corectă.
- Înainte de lucru, faceți o tăiere de probă fără a avea motorul pornit în așa fel încât poziția discului, funcționarea apărătorilor față de alte părți ale aparatului și a piesei de lucru să poată fi verificate.
- Nu lăsați niciodată produsul nesupravegheat.
- Nu aplicați lubrifianți pe pânză atunci când aceasta este în funcțiune.
- Nu efectuați niciodată orice lucrare de întreținere sau de curățare atunci când aparatul este încă în funcțiune, iar capul nu este în poziția de repaus.
- Nu încercați niciodată să opriți rapid un aparat în mișcare prin blocarea cu o unealtă sau cu alte mijloace a pânzei, accidente grave pot fi cauzate neintenționat în acest fel.
- Deconectați produsul de la sursa de alimentare sau îndepărtați acumulatorul înainte de a schimba pânzele sau de a efectua lucrări de întreținere.
- Fiți atent la împachetarea și despachetarea discului, este foarte ușor să fiți rănit de vârful ascuțite ale discului
- Folosiți o sculă de prindere a discului sau purtați mănuși când manipulați un disc
- Păstrați și depozitați discul în ambalajul original sau alte ambalaje potrivite, păstrați în condiții uscate și ferit de substanțe chimice ce pot deteriora discul

#### AVERTIZĂRI SUPLIMENTARE DE SIGURANȚĂ

- Prindeți întotdeauna sigur și fix cu cleme piesa de lucru.
- Aveți în vedere ca mașina să aibe mereu o poziție sigură (de ex. fixați-o la bancul de montaj).
- Purtați aparatoare de urechi. Expunerea la zgomot poate produce pierderea auzului.
- Când utilizați produsul, purtați întotdeauna ochelari

de protecție. Este recomandat să purtați mănuși la manipularea discurilor și a materialelor aspre, plus încălțăminte rezistentă nealunecoasă pentru a vă proteja picioarele de piesele de lucru care ar putea să cadă din zona de tăiere.

- Deconectați produsul de la sursa de alimentare sau scoateți acumulatorul înainte de a efectua lucrări de întreținere sau de curățare a produsului.
- Montați acumulatorul numai când produsul este oprit.
- Nu vă întindeți niciodată înspre zona apropiată discului decât dacă discul este complet oprit.
- Înainte de utilizare, verificați cu atenție ca produsul și acumulatorul să nu prezinte defecte sau oboseală a materialului. Reparațiile produsului trebuie efectuate numai de către un centru de service autorizat.
- Utilizați în permanență apărătorii produsului. Nu utilizați produsul fără apărători sau cu apărători care nu funcționează corect.
- Protecția inferioară a lamei trebuie deschisă numai când lama este coborâtă la piesa de prelucrat și trebuie să poată în permanență să se miște liber și să se închidă automat.
- Întotdeauna utilizați și fixați barele de extensie pentru a sprijini piesa prelucrată în timpul operării produsului.
- Nu încercați niciodată să modificați produsul sau modul de funcționare. Siguranța dvs. poate fi periclitată
- Nu folosiți discuri de ferăstrău ce sunt crăpate, deteriorate sau deformate.
- Nu folosiți pânze de ferăstrău din oțel rapid.
- Folosiți doar discuri ce sunt ascuțite. Înlocuiți discurile tocite.
- Utilizați întotdeauna lame de mărimea și forma adaptate la diametrul axului. Lamele neadaptate la axul pe care trebuie să fie montate nu se vor roti corect și pot conduce la o pierdere a controlului asupra aparatului.
- Utilizați numai discurile tăietoare pentru tăierea lemnului specificate în manual, conforme cu standardul EN 847-1.
- Nu folosiți flanșe, șaibe sau piulițe pentru a fixa discul ferăstrăului, altele decât cele furnizate sau indicate în manualul de instrucțiuni.
- Folosiți pânza de ferăstrău potrivită pentru materialul care urmează a fi tăiat. Nu utilizați niciodată produsul la tăierea altor tipuri de materiale decât cele specificate în secțiunea referitoare la destinația de utilizare din acest manual.
- Este important să evitați supraîncălzirea discului și topirea plasticului în timpul tăierii.
- Este esențial să respectați viteza maximă specificată pentru discul tăietor; utilizați numai discuri tăietoare marcate cu o viteză mai mare sau egală cu cea marcată pe unealtă.
- Înlocuiți elementul de intercalație al mesei atunci când este uzat sau deteriorat.
- Înainte de lucru, faceți o tăiere de probă fără a avea motorul pornit în așa fel încât poziția discului, funcționarea apărătorilor față de alte părți ale aparatului și a piesei de lucru să poată fi verificate.
- Atunci când efectuați tăieri cu mitra, tăieri la unghi





sau tăieri combinate, reglați ghidajul de tăiere glisant sau apărătoarea inferioară pentru a asigura o distanță corectă față de discul tăietor.

- Mânerul trebuie să fie întotdeauna în poziția de lucru la transportarea produsului.
- Păstrați podeaua liberă de materiale desprinse, de ex. așchii și bucăți tăiate.
- Nu îndepărtați resturi de tăiere sau alte părți de piesă din zona de tăiere atâta timp cât mașina se află în mișcare, iar capul fierăstrăului nu a ajuns în poziția de repaus.
- Piese lungi se vor sprijini în mod corespunzător. Zona de lucru a fierăstrăului include întreaga dimensiune a piesei de lucru. Operatorul trebuie să asigure această zonă de contact accidental a altor persoane sau obiecte ce ar putea muta piesa de lucru în timpul operării.
- Praful produs în timpul utilizării produsului poate reprezenta un pericol pentru sănătate. Folosiți un sistem de extracție al prafului și purtați o mască corespunzătoare de protecție împotriva prafului. Îndepărtați complet praful depus, de exemplu, cu un aspirator.
- Nu înlocuiți laserul cu un alt laser, de alt tip. Orice reparații trebuie efectuate de producător sau de un agent de service autorizat.
- Temperatura ambientală în timpul funcționării uneltei trebuie să fie cuprinsă între 0°C și 40°C.
- Temperatura ambientală în timpul depozitării uneltei trebuie să fie cuprinsă între 0°C și 40°C.
- Temperatura ambientală în timpul încărcării uneltei trebuie să fie cuprinsă între 10°C și 38°C.

## TRANSPORTAREA ACUMULATORILOR PE LITIU

Transportați bateria în conformitate cu prevederile și reglementările locale și naționale.

Urmați toate cerințele speciale de pe ambalaj și etichete atunci când transportați acumulatorii la o parte terță. Asigurați-vă că în timpul transportului nicio baterie nu vine în contact cu alte baterii sau materiale conducătoare de electricitate prin protejarea bornelor expuse cu bandă sau capace izolatoare non conducătoare de electricitate. Nu transportați acumulatori ce sunt crăpați sau au scurgeri. Verificați cu compania de transport pentru sfaturi ulterioare.

## AVERTISMENTE SUPLIMENTARE PRIVIND SIGURANȚA LA UTILIZAREA BATERIILOR

### ⚠ AVERTISMENT

Pentru a reduce pericolul unui incendiu și evitarea rănilor sau deteriorarea produsului în urma unui scurtcircuit nu imersați scula, acumulatorul de schimb sau încărcătorul în lichide și asigurați-vă să nu pătrundă lichide în aparate și acumulatori. Lichidele corosive sau cu conductibilitate, precum apa sărată, anumite substanțe chimice și înălbitori sau produse ce conțin înălbitori, pot provoca un scurtcircuit.

- Temperatura ambientală în timpul utilizării bateriei

trebuie să fie cuprinsă între 0°C și 40°C.

- Temperatura ambientală în timpul depozitării bateriei trebuie să fie cuprinsă între 0°C și 20°C.

## SIGURANȚĂ LASER

- A fűrészen használt lézersugár besorolása: Class 2, legfeljebb ≤1mW teljesítménnyel és 650 nm hullámhosszal. Nu priviți direct în raza laser. Neumarea acestor reguli poate rezulta în vătămare personală gravă.
- Nu priviți în rază în timpul funcționării.
- Nu proiectați raza laser direct în ochii altor persoane. Pot rezulta leziuni oculare grave.
- Nu amplasați laserul într-o poziție în care se poate privi în fascicul intenționat sau neintenționat.
- Nu utilizați instrumente optice pentru a vizualiza raza laser.
- Nu folosiți laserul în preajma copiilor și nu permiteți copiilor să opereze cu laserul.
- Nu încercați să reparați dispozitiv cu laser de unul singur.
- Nu încercați să schimbați nicio piesă a dispozitivului laser.
- Orice reparații trebuie să fie efectuate numai de către producătorul laserului sau de către agent de service autorizat.
- Nu înlocuiți laserul cu un alt laser, de alt tip.

## RISURI REZIDUALE

Chiar dacă produsul este folosit așa cum este descris, este totuși imposibil să se elimine complet anumiți factori de risc reziduali. Următoarele pericole ar putea apărea în timpul folosirii iar operatorul trebuie să acorde o atenție specială pentru a evita următoarele:

- Risc de contact cu părți neacoperite ale discului de tăiere în rotire.
- Reculul pieselor de lucru și al unor bucăți din piesele de lucru din cauza manipulării incorecte.
- Catapultarea vârfurilor de carbură defecte ale pânzei de ferăstrău.
- Deteriorare a sistemului respirator.  
**NOTĂ:** Purtați mască de protecție a respirației conținând filtre corespunzătoare cu materialele ce vin prelucrate. Asigurați aerisire adecvată la locul de muncă. Nu mâncați, beți sau fumați în zona de lucru.
- Afecțiuni ale auzului, dacă nu este purtată protecție pentru auz.

### ⚠ AVERTISMENT

Praful de la anumite vopsele, tencuieli și materiale pot cauza iritații sau reacții alergice ale sistemului respirator. Praful de la lemn precum stejarul, fagul, PAL-ul și altele sunt cancerigene. Materialul conținând azbest trebuie să fie prelucrat sau procesat doar de către operatori specialiști calificați.

## **⚠️ AVERTISMENT**

Poti fi cauzate, sau agravate vătămări prin folosirea prelungită a sculei. Atunci când folosiți o sculă pentru perioade prelungite, asigurați-vă că luați pauze regulate.

## **CUNOAȘTEȚI-VĂ PRODUSUL**

Salt la pagina nr. 215.

1. Mâner, suprafață de contact izolată
2. Întrerupător alimentare.
3. Blocaj de siguranță mâner
4. Protecția superioară a lamei
5. Lama ferăstrăului
6. Protecția inferioară a lamei
7. Parapet principal.
8. Masă rotativă
9. Talpă
10. Element de intercalare masă
11. Mâner blocare masă rotativă
12. Echilibrarea piciorului
13. Bară anti-răsturnare
14. Întrerupător laser
15. Mâner superior, suprafață de contact izolată
16. Flanșă
17. Braț de oprire
18. Levier de blocare al unghiului de tăiere
19. Clemă
20. Parapet glisant
21. Gaură de montare
22. Bară prelungitoare
23. Șuruburi pentru blocarea limitatorului principal
24. Buton de blocare a axului
25. Pachet de baterii
26. Sac pentru praf
27. Buton rotativ de reglare a adâncimii de tăiere.
28. Stopare adâncime maximă de tăiere.
29. Buton rotativ de blocare a țijeii liniare.
30. Șuruburi pentru reglarea limitei de oprire a unghiului oblic
31. Cheie hexagonală

## **OPERAREA**

Produsul prezintă un disc de ferăstrău mobil ce poate fi reglat la diferite unghiuri de către operator atunci când taie piesa de lucru care este fix prinsă de baza produsului. Trebuie să fie operat doar de către o persoană pentru a preveni contactul accidental cu discul ferăstrăului în mișcare.

Principiile pentru o operare în siguranță a produsului sunt după cum urmează:

- Mențineți ferăstrăul, discurile și zona de lucru în stare bună.
- Fixați baza debitorului pe un banc de lucru solid. Produsul ar putea să se miște sau să cadă dacă nu este fixat corespunzător.
- Reglați și blocați unghiurile și adâncimea de tăiere înainte de a face tăierea.
- Fixați piesa de lucru la baza ferăstrăului pentru tăieri înclinate. Folosiți cleva furnizată și unde e necesar,

folosiți cleme suplimentare sau mecanisme de prindere pentru a preveni mișcarea accidentală a piesei de lucru în timpul tăierii.

- Verificați ca operarea apărătorilor discului să nu fie restricționată de poziția piesei de lucru.
- Asigurați-vă că parapetul și alte părți ale produsului nu vor fi tăiate pe măsură ce discul coboară în poziția de tăiere.
- Porniți motorul și lăsați discul să atingă viteză maximă înainte de a coborî viteza pentru a tăia piesa de lucru. Glisați ansamblul discului tăietor înapoi atât cât este necesar pentru a termina tăietura.
- Lăsați ansamblul lamei să se ridice la poziția sa de sus unde apărătorii lamei sunt complet închise. Oprți motorul și lăsați discul să se oprească complet înainte de a îndepărta piesa de lucru sau piesele tăiate, sau înainte de a ajunge în zona discului.

Înainte de fiecare folosire, asigurați-vă că unghiul oblic sau mitra reglată a produsului se potrivește cu unghiul ce va fi făcut pe piesa de lucru. Verificați acest lucru pe o piesă de lemn rebut folosind trusa de tâmplărie sau cu echerul oblic.

## **⚠️ AVERTISMENT**

Producătorul recomandă ca produsul să fie întotdeauna montat fix pe partea superioară a bancului de lucru.

Dacă baza produsului este bine fixată pe banc, conform instrucțiunilor, cu patru șuruburi, șaibe și piulițe, acesta poate fi utilizat la limitele maxime ale mitrei și înclinării, fără a exista riscul de răsturnare. Dacă produsul nu este fixat corespunzător, produsul ar putea să se răstoarne când unghiuri mai mari de tăiere oblice sunt selectate

În fața bazei ferăstrăului pentru tăieri înclinate există o bară prelungitoare ce trebuie trasă complet afară. Aceasta va ajuta la prevenirea ferăstrăului pentru tăieri înclinate să se dezechilibreze.

Există de asemenea un șurub reglabil (echilibrare picior) ce se prelungeste din partea de jos a prelungirii mesei rotative. Șurubul trebuie reglat în așa fel încât să atingă suprafața plată pe care produsul stă. Aceasta va preveni ca produsul să se dezechilibreze când tăieți la întreaga dimensiune a glisorului și a echerului. Fiți atent, această parte a ferăstrăului pentru tăieri unghiulare se mișcă atunci când unghiurile mitrei sunt selectate, astfel încât șurubul trebuie frecvent reglat și resetat.

## **ÎNȚREȚINEREA**

- Nu modificați produsul în niciun fel sau să folosiți accesorii neaprobate de producător. Siguranța dvs. și a celorlalți poate fi periclitată.
- Nu folosiți produsul dacă oricare din întrerupătoare, apărători sau alte funcții nu funcționează corespunzător. Returnați la un centru service autorizat pentru reparare profesională sau reglare.
- Nu faceți niciun reglaj cât timp discul ferăstrăului este în mișcare.
- Scoateți acumulatorul din produs înainte de a efectua reglaje, operații de lubrifiere sau întreținere a produsului.



- Înainte și după fiecare folosire, verificați produsul de deteriorare sau piese rupte/crăpate. Mențineți produsul în condiții optime de funcționare prin înlocuirea imediată a pieselor cu piese de schimb aprobate de producător.
- Lama tăietoare are margini ascuțite și poate avea temperaturi ridicate după efectuarea operațiilor de tăiere. Procedați cu maximă precauție la curățarea lamei tăietoare. Purtați mănuși pentru a vă proteja împotriva rănirii.
- Curățați de praf în mod regulat fierăstrăul și accesoriile sale, mai ales piesele în mișcare, inclusiv apărătoarea discului tăietor. Utilizați o perie sau un aspirator pentru a îndepărta eficient praful. Nu utilizați aer comprimat.
- Pentru a asigura siguranța și fiabilitatea, toate reparațiile, incluzând schimbarea periiilor, trebuie îndeplinite la un centru service autorizat.

#### ⚠ AVERTISMENT

Nu încercați să demontați apărătoarea discului tăietor pentru lucrări de curățare sau reparații. Nu utilizați apărători deteriorate. Returnați-le unui centru de service pentru reparare sau înlocuire.

#### ⚠ AVERTISMENT

Pentru o mai mare siguranță și încredere, toate reparațiile trebuie îndeplinite la un centru service autorizat.

#### Calibrarea unghiului înclinat și cu mitră

În cazul în care sunt necesare calibrarea unghiului înclinat și a celui cu mitră, consultați paginile 236-242 și urmați instrucțiunile de calibrare.

#### Stopare adâncime maximă de tăiere.

Opritorul de adâncime maximă a tăierii este pentru a preveni ca discul ferăstrăului să taie în baza de metal a aparatului.

#### ⚠ AVERTISMENT

Opritorul de adâncime maximă a tăierii nu poate fi reglat de utilizator. Nu reglați stoparea adâncimii maxime de tăiere.

#### TRANSPORTARE ȘI DEPOZITARE

- La depozitarea produsului, scoateți acumulatorul. Depozitați produsul într-un loc sigur ce nu este accesibil copiilor.
- Curățați produsul folosind o perie sau aspiratorul înainte de a-l depozita.
- Dacă îndepărtați discul ferăstrăului sau păstrați piesele de schimb cu aparatul, asigurați-vă că sunt în ambalajul lor original pentru a preveni vătămarea.

#### Pentru a fixa produsul înainte de mutare:

- Produsul trebuie depozitat la zero grade a mitrei și unghiului oblic blocat în poziție. Glisiera trebuie blocată.

Mănerul trebuie să fie blocat în poziția inferioară (de siguranță) cu apărătorile închise.

- Una sau ambele laturi ale barelor de extensie pot fi îndepărtate pentru a ușura transportul produsului.

#### Pentru a-l muta sau transporta într-un vehicul:

- Fixați produsul înainte de mutare așa cum este descris în manual.
- Îndepărtați produsul de pe partea superioară a bancului de lucru, deșurubând cele 4 șuruburi de la fiecare colț. Păstrați șuruburile pentru o folosire ulterioară. Ridicați produsul folosind mânerul din partea superioară.
- Atunci când ridicați la înălțime, sunt necesare două persoane care poartă mănuși rezistente să ridice baza produsului.
- La transportarea într-un vehicul, reglați produsul pe bazele sale și prindeți-l împotriva mișcării.

#### PROTECȚIA MEDIULUI ÎNCONJURĂTOR



Reciclați materiile prime în loc să le aruncați la gunoi, împreună cu deșeurile menajere. Pentru a proteja mediul înconjurător, mașina, accesoriile acesteia și ambalajele trebuie triate.

#### SIMBOLURILE DE PE PRODUS



Alertă de siguranță



Conformitate CE



Marcaj de conformitate EurAsian



Semn de conformitate ucrainean



Vă rugăm citiți instrucțiunile cu atenție înainte de pornirea aparatului.



Purtați echipamente de protecție a auzului



Purtați întotdeauna ochelari de protecție.



Țineți-vă mâinile la distanță de zona de tăiere și de lamă.



Nu expuneți la ploaie sau la medii încărcate de umezeală.



Purtați mănuși de protecție





Dirrecția de rotație a discului tăietor (indicată pe disc)



Dirrecția de rotire a discului (arătată pe apărătoarea discului)



Lățimea de tăiere a discului tăietor (Kerf)



Numărul de dinți ai discului tăietor



Capacitate de tăiere



Pentru tăierea lemnului și a materialelor similare



Nu este destinat tăierii metalelor



Radiație laser.  
Nu priviți direct în rază.  
Produs cu laser clasa 2



Deșeurile produselor electrice nu trebuie să fie înălțurate împreună cu deșeurile casnice. Vă rugăm să reciclați acolo unde există facilități. Verificați la autoritatea dvs locală sau la vânzător pentru sfaturi privind reciclarea.

## SIMBOLURILE DIN MANUAL



Piedică



Deblocare



Mecanismul de blocare nu funcționează.



Piese sau accesorii vândute separat



Notă



Avertisment

Rmătoarele cuvinte simbol și înțelesul lor au intenția de a explica nivelele de risc asociate cu acest produs.



|    |
|----|
| EN |
| FR |
| DE |
| ES |
| IT |
| NL |
| PT |
| DA |
| SV |
| FI |
| RU |
| PL |
| CS |
| RO |
| HU |
| LV |
| LT |
| ET |
| HR |
| SK |
| SL |
| BG |
| UK |
| TR |
| EL |

Radot jūsu lenķzāģi, drošībai, veiktspējai un uzticamībai ir pievērsta vislielākā vērība.

## PAREDZĒTĀ LIETOŠANA

Lenķzāģis ir paredzēts masīvkoka vai līmētu koka detaļu, materiālu, kas līdzīgi kokam, ar vai bez finierējuma, kā arī plastikātu zāģēšanai.

Instruments ir paredzēts lietošanai pieaugušiem, kuri ir izlasījuši lietošanas rokasgrāmatu un izpratuši riskus un briesmas.

Izstrādājums ir paredzēts nostiprināšanai pie pamatnes uz stabilas darba virsmas. Ja pamats nav droši nostiprināts, visa ierīce var kustēties darbības laikā, kas palielina iespēju gūt nopietnas traumas.

Produkts ir radīts slīpu un noliektu zāģējumu veikšanai. Dažādu griezumam iespējas ir norādītas instrumenta specifikācijās šajā rokasgrāmatā.

Izstrādājumu drīkst lietot sausos apstākļos, labā apgaismojumā un ar pietiekošu ventilāciju.

Prece paredzēta klientu lietošanai un to drīkst izmantot tikai kā aprakstīts iepriekš un ne citiem mērķiem.

## VISPĀRĒJIE DROŠĪBAS BRĪDINĀJUMI

### ⚠ BRĪDINĀJUMS

Izlasiet visus drošības brīdinājumus, instrukcijas, specifikācijas un apskatiet attēlus šī elektroinstrumenta dokumentācijā. Visu uzskaitīto instrukciju neievērošana ir bīstama; tā var izraisīt elektrisko triecienu, aizdegšanos un/vai nopietnas traumas.

Visus brīdinājumus un norādījumus saglabājiet turpmākām uzzinām. Apzīmējums "elektroinstruments" brīdinājumos attiecas uz jūsu elektroinstrumentu, kas tiek darbināts no elektrotīkla (ar vadu) vai ar akumulatora (bezvadu) palīdzību.

## DROŠĪBA DARBA VIETĀ

- Uzturiet darba vietu tīru un labi apgaismotu. Nekārtīgās vai tumšās vietās ir paaugstināts negadījumu risks.
- Nedarbiniet elektroinstrumentus sprādzienbīstamā vidē, piemēram, degošu šķidrumu, gāzu vai putekļu klātbūtnē. Elektroinstrumenti rada dzirksteles, kas var aizdedzināt putekļus vai gāzes.
- Neļaujiet bērniem un apkārtesošajiem atrasties tuvumā, kamēr tiek darbināts elektroinstruments. Izkļaidības dēļ jūs varat zaudēt kontroli.

## ELEKTRODROŠĪBA

- Elektroinstrumenta kontaktdakšām ir jābūt atbilstošām kontaktligzdām. Nekad nekādā veidā neveiciet kontaktdakšas izmaiņas. Neizmantojiet adapterus ar zemētiem elektroinstrumentiem. Nemodificētas kontaktdakšas un atbilstošas kontaktligzdas mazinās elektrošoka risku.
- Izvairieties no ķermeņa saskares ar zemētām virsmām, piemēram, caurulēm, radiatoriem,

apgabaliem un saldētavām. Ja jūsu ķermenis ir ir zemēts, pastāv palielināts elektrošoka risks.

- Nepakļaujiet elektroinstrumentu lietus vai mitriem apstākļiem.** Ūdens iekļūšana elektroinstrumentā palielina elektriskā triecienu risku.
- Izmantojiet barošanas vadu tikai pareizi.** Nekad neizmantojiet kabeli elektroinstrumenta nēsāšanai, vilkšanai vai atvienošanai. Vadam jāatrodas pietiekamā atstatumā no siltumavotiem, eļļas, asām malām un kustīgām detaļām. Bojāti vai sapinušies kabeli palielina elektrošoka risku.
- Darbinot elektroinstrumentu ārā, lietojiet pagarinātāja kabeli, kas ir piemērots āra lietošanai.** Izmantojot kabeli, kas ir piemērots lietošanai ārā, tiek samazināts elektrošoka risks.
- Ja elektroinstrumentu darbināšana mitrā vietā ir neizbēgama, izmantojiet ar paliekošās strāvas iekārtu (RCD) aizsargātu avotu.** Izmantojot RCD, tiek samazināts elektrošoka risks.

## PERSONAS DROŠĪBA

- Saglabājiet modrību, vērojiet savu darbu un rīkojieties saskaņā ar veselo saprātu.** Neizmantojiet darbarīku, ja esat noguris vai narkotisko vielu, alkohola vai medikamentu ietekmē. Neuzmanības brīdis, strādājot ar elektroinstrumentiem, var izraisīt smagus ievainojumus.
- Valkājiet individuālos aizsarglīdzekļus.** Vienmēr lietojiet aizsargbrilles. Aizsardzības aprīkojums, piemēram, putekļu maska, neslidošs drošības apavi, aizsargķivere, vai ausu aizsarglīdzekļi, to izmantojot atbilstošos apstākļos, samazinās ievainojumu risku.
- Nepieļaujiet nejašu iedarbināšanu.** Nodrošiniet, ka slēdzis ir izslēgtā stāvoklī, pirms pievienot pistoli spriegumam un/vai akumulatoru blokam, satverot vai pārnēsājot izstrādājumu. Elektroinstrumentu pārnēsāšana, pirkstam atrodoties uz slēdža, vai instrumenta, kas ir ieslēgtā stāvoklī, pieslēgšana elektrotīklam, palielina negadījumu iespējamību.
- Pirms elektroinstrumenta ieslēgšanas izņemiet visus regulējošos ķīļus vai uzgriežņu atslēgas.** Pie elektromotora rotējošas daļas atstāta uzgriežņu atslēga vai ķīlis var izraisīt savainojumus.
- Nesniedzieties tam pāri.** Visu laiku stāviet stingri un stabili. Tādējādi tiek nodrošināta labāka elektroinstrumenta kontrole negaidītās situācijās.
- Apģērbieties pareizi.** Nenēsājiet vaļīgu apģērbu un rotaslietas. Netuviniet matus un apģērbu kustīgajām daļām. Vaļīgs apģērbs, rotaslietas vai gari mati var tikt ierauti starp kustīgām detaļām.
- Ja instruments ir apgādāts ar ierīcēm putekļu nosūkšanai, nodrošiniet, ka šīs ierīces tiek pieslēgtas un pareizi izmantotas.** Putekļu savākšanas ierīču izmantošana var samazināt briesmas, kas saistītas ar putekļu uzkrāšanos.
- Neļaujiet biežas instrumentu lietošanas radītam pieradumam ļaut palikt nevērigam un neievērot instrumentu drošības principus.** Bezrūpīga darbība var izraisīt smagus ievainojumus sekundes daļu laikā.





## ELEKTROINSTRUMENTA LIETOŠANA UN APKOPE

- **Nepārslēgiet instrumentu.** Izmantojiet attiecīgajam darbam piemērotu ierīci. Piemērota ierīce darbu paveiks labāk un drošāk, un tā, kā tā ir paredzēta.
- **Nelietojiet elektroinstrumentu, ja slēdzis to neieslēdz un neizslēdz.** Visi elektroinstrumenti, kurus nevar kontrolēt ar slēdzi, ir bīstami un tie ir jāremontē.
- **Atvienojiet kontaktdakšu no sprieguma avota un/vai noņemiet akumulatoru bloku no elektroinstrumenta, pirms veikt jebkādu regulēšanu vai darba piederumu maiņu vai novietot elektroinstrumentu glabāšanai.** Šādi preventīvi drošības pasākumi samazina nejausās izstrādājuma ieslēgšanās risku.
- **Turiet elektroinstrumentus bērniem nepieejamā vietā, un neļaujiet cilvēkiem, kas nepazīst šo elektroinstrumentu vai šīs instrukcijas, darbināt elektroinstrumentu.** Neapmācītu lietotāju rokās elektroinstrumenti ir bīstami.
- **Uzturiet elektroinstrumentus un to aksesuārus kārtībā.** Pārbaudiet kustīgo detaļu savienojumu pareizību, detaļu berzi un citus apstākļus, kas var ietekmēt instrumenta darbu. Ja instrumenti ir bojāti, pirms lietošanas veiciet tā remontu. Daudzus negadījumus izraisa slikti apkopti instrumenti.
- **Uzturiet griezējinstrumentus asus un tīrus.** Pareizi uzturēti griezējinstrumentiem ar asu griezējasmēni ir mazāka iespēja iekļerties, tos ir vieglāk vadīt.
- **Izmantojiet izstrādājumu, aksesuārus, instrumentu uzgaļus utml. saskaņā ar šīm norādēm un ņemot vērā darba apstākļus un veicamā darba specifiku.** Izmantojot elektroinstrumentu darbībā, kas nav paredzētas, var rasties bīstama situācija.
- **Uzturiet rokturus un satveršanas virsmas sausas un tīras, arī no eļļas un smērvielām.** Slideni rokturi un satvēriena virsmas nenodrošina drošu apiešanos un instrumenta vadību neparedzētās situācijās.

## AKUMULATORA INSTRUMENTA LIETOŠANA UN KOPŠANA

- **Veiciet uzlādēšanu tikai ar ražotāja noteikto lādētāju.** Lādētājs, kas ir pielāgots noteiktam akumulatora veidam, var izraisīt aizdegšanās risku, ja tas tiek lietots citāda akumulatora lādēšanai.
- **Izmantojiet elektroinstrumentus tikai ar īpašiem tiem radītiem akumulatoru blokiem.** Jebkādu citu akumulatoru izmantošana var radīt ievainojumu un uzliesmošanas risku.
- **Kad bateriju paka netiek lietota, glabājiet to attālumā no tādiem metāla priekšmetiem kā saspaušanas, monētas, atslēgas, naglas, skrūves un citi maza izmēra metāla priekšmeti, kas var izveidot savienojumu starp bateriju spailēm.** Īssavienojuma radīšana starp akumulatora kontaktiem var radīt apdegumus vai uzliesmošanu.
- **Nelabvēlīgos apstākļos no akumulatora var tikt izspiests šķidrums, izvairieties no saskarsmes ar to.** Nejauši ar to saskaroties, noskalojiet ar ūdeni. Ja šķidrums nonāk saskarsmē ar acīm, papildus griezieties pēc medicīniskas palīdzības.

No akumulatora izspiestais šķidrums var izraisīt kairinājumu vai apdegumus.

- **Neizmantojiet akumulatoru bloku, kas ir bojāts vai pārveidots.** Bojāts vai pārveidots akumulatoru bloks var izraisīt neparedzamu darbību, kas var izraisīt uzliesmošanu, sprādzienu vai ievainojumu risku.
- **Nepakļaujiet akumulatoru bloku vai instrumentu liesmu vai paaugstinātas temperatūras iedarbībai.** Pakļaujot liesmām vai pārmērīgai temperatūrai virs 130°C var izraisīt sprādzienu.
- **Ievērojiet visas lādēšanas instrukcijas un nelādējiet akumulatoru bloku vai instrumentu, ja temperatūra ir ārpus diapazona, kas norādīts instrukcijās.** Nepareiza lādēšana vai lādēšana temperatūrā, kas ir ārpus norādītā diapazona, var izraisīt akumulatora bojājumus un palielināt uzliesmošanas risku.

## TEHNISKĀ APKOPE

- **Nododiet savu elektroinstrumentu apkopei kvalificētam tehnikam, izmantojot tikai identiskas rezerves daļas.** Tādā veidā tiek nodrošināta elektroinstrumenta drošība.
- **Nekad neveiciet bojātu akumulatoru bloku remontu.** Akumulatoru bloku remontu drīkst veikt tikai ražotājs vai tā pilnvarots servisa nodrošinātājs.

## LEŅĶZĀGA DROŠĪBAS INSTRUKCIJAS

- **Leņķzāģi ir paredzēti koka vai līdzīgu materiālu zāģēšanai, tos nevar izmantot ar abrazīvajiem diskiem tādu metālus saturošu materiālu zāģēšanai kā stieņi, skrūves, profili utml. Abrazīvie putekļi rada kustīgo daļu, piemēram, apakšējā aizsarga iesprūšanu.** Dzirksteles no abrazīvās zāģēšanas sadedzinās apakšējo aizsargu, atslēgas ieliktni un cita plastikāta daļas.
- **Apstrādājamā objekta nostiprināšanai izmantojiet skrūvspīles, ja ir tāda iespēja.** Atbalst detaļu ar roku, nenovietojiet roku tuvāk par 100 mm jebkurai no zāģa asmens pusēm. Neizmantojiet šo zāģi, lai zāģētu gabaliņus, kuri ir pārāk mazi, lai tos droši turētu ar roku, vai nostiprinātu ar spailēm. Ja jūsu roka atrodas pārāk tuvu zāģa asmenim, palielinās iespēja gūt savainojumus no saskarsmes ar zāģa asmeni.
- **Apstrādājamam gabalam ir jābūt nekustīgam un piespiestam gan pret galdu, gan pret aizmugurējo atduri.** Nevirziet apstrādājamo gabalu pret asmeni, nekādā veidā nezāģējiet "no brīvas rokas". Nenodrošinātas vai kustīgas detaļas var tikt mestas ar lielu spēku, tā radot ievainojumus.
- **Stumiet zāģi caur griezamo detaļu.** Nevelciet zāģi caur griezamo detaļu. Lai veiktu zāģējumu, paceliet zāģa galvu un velciet pāri zāģējamajai detaļai, to neaizskarot, ieslēdziet motoru, nospiediet zāģa galvu leju un spiediet zāģi caur zāģējamo detaļu. Zāģējot ar vilkšanas kustību visticamākais, izraisīs zāģa asmens pacelšanos uz zāģējamās detaļas augšējās virsmas, un tās spēcīgu rāvienu lietotāja virzienā.
- **Nekad nenovietojiet jūsu rokas šķērsām pāri paredzamajai zāģēšanas līnijai, ne zāģa asmeni**





priekšā, ne aizmugurē. Apstrādājamās detaļas turēšana ar sakrustotām rokām, t.i. turot detaļu ar kreiso roku pa labi no zāģa vai otrādi, ir ļoti bīstama.

- **Nesnodzieties aiz aizsarga ar jebkuru roku tuvā par 100 mm no jebkuras zāģa puses, lai noņemtu koka skaidas vai kādam citam nolūkam, kamēr zāģa asmens griežas.** Kustībā esoša zāģa ripas tuvums jūsu roka var nebūt acīmredzams, jūs varat gūt smagus ievainojumus.
- **Aplūkojiet apstrādājamo detaļu pirms zāģēšanas.** Ja detaļa ir izliekta vai savērpta, iespilējiet to ar izliekuma ārējo virsmu pret atbalstu. Vienmēr pārliecinieties, ka zāģēšanas līnijas garumā starp detaļu, galda virsmu un aizmugurējo atduri nav spraugu. Saliekušās vai savērpušās detaļas var pagriezties vai pārvietoties, zāģēšanas laikā radot zāģa ripas iekļīšanās. Detaļā nedrīkst būt naglas vai citi svešķermeņi.
- **Neizmantojiet zāģi, līdz no galda nav noņemti instrumenti, tas attīrīts no skaidām un citiem priekšmetiem, un uz tā atrodas tikai zāģējamā detaļa.** Nelieli priekšmeti vai brīvi stāvoši koka gabali vai citi priekšmeti, saskaroties ar rotējošu asmeni var tikt mestī pa gaisu ar lielu ātrumu.
- **Vienlaikus grieziet tikai vienu detaļu.** Vienu uz otras novietotas vairākas detaļas nevar atbilstoši iespīlēt vai nostiprināt, tās var iekļīst asmeni vai zāģēšanas laikā pārvietoties.
- **Nodrošiniet, ka pirms lietošanas zāģis tiek novietots vai uzstādīts uz līdzenas, nekustīgas virsmas.** Līdzena, nekustīga virsma samazina risku, ka paneļzāģis kļūst nestabils.
- **Plānojiat darbu. Katru reizi mainot leņķa vai sīpuma iestatījumus, pārbaudiet, vai aizmugurējā atdure ir pareizi iestatīta un netraucēs zāģa ripas vai aizsardzības sistēmas kustībai.** Neieslēdzot zāģi un neliekot detaļu uz galda, virziet zāģa asmeni visā plānotā grieziena garumā, lai pārliecinātos, ka tas nekur nepieskaras un nepieskaras aizmugurējai atdurei.
- **Nodrošiniet atbilstošu atbalstu, piemēram galda pagarinājumus, steķus utml. zāģējamām detaļām, kas ir garākas vai platākas par galda virsmu.** Detaļas, kas ir garākas vai platākas par zāģa galdu var pasvērties, ja nav atbilstoši nostiprinātas. Ja nogrieztais gabals vai detaļa sasveras, tā var pacelt zāģa asmens aizsargu vai tikt mesta pa gaisu ar rotējošu asmeni.
- **Neizmantojiet otru cilvēku kā aizvietotāju galda pagarinājumam vai papildu atbalstam.** Nestabils detaļas atbalsts var izraisīt asmens iekļīšanās vai detaļas izkustēšanas zāģēšanas laikā, ieraujot jūs vai palīgu rotējošajai asmeņi.
- **Nogriezto gabalu nekādā veidā nedrīkst iespīlēt vai spiest pret rotējošo zāģa asmeni.** Ja detaļa ir iesprostota, piemēram, izmantojot garuma atdures, nogrieztais gabals var atsīties pret zāģa asmeni un ar lielu spēku aizmests.
- **Vienmēr izmantojiet spaili vai pielāgojumu, kas radīts lai atbalstītu apaļus materiālus, piemēram kātus vai caurules.** Apaļām detaļām ir tendence zāģēšanas laikā rotēt, izraisot zāģa ripas "iekošanos" un detaļas un jūsu rokas ieraušānu asmeņi.

- **Ļaujiet zāģa ripai sasniegt pilnu darba ātrumu, pirms tā pieskaras detaļai.** Tas samazinās detaļas aizmešanas risku.
- **Ja griežamais materiāls vai asmens iespūst, izslēdziet zāģi.** Nogaaidiet līdz visas kustīgās daļas apstājas un atvienojiet vadu no sprieguma avota un/vai noņemiet akumulatora bloku. Tad atbrīvojiet iespūdušo materiālu. Nepārtraukta zāģēšana ar iesprostotu detaļu var izraisīt kontroles pār to zaudēšanu vai bojājumus zāģim.
- **Pēc grieziena pabeigšanas, atlaidiet slēdzi, turiet zāģa galvu nospiestu uz leju, līdz zāģa ripa apstājas, pirms noņemt nogriezto gabalu.** Rokas tuvināšana rotējošai zāģa ripai ir bīstama.

## KOKA ZĀĢA ASMENS DROŠĪBAS INSTRUKCIJAS

- Lūdzu rūpīgi izlasiet rokasgrāmatu un instrukcijas, pirms lietot instrumentu un zāģa ripu.
- Elektroinstrumentam jābūt labā stāvoklī, tā asiņ bez deformācijas un vibrācijas.
- Neizmantojiet produktu, ja nav uzstādīti aizsargi. Uzturiet aizsargus labā darba kārtībā un kārtīgi apkoptus.
- Nodrošiniet, ka lietotājs ir pietiekoši apmācīts par produkta drošības pasākumiem, iestatīšanu un lietošanu.
- Lietojot produktu, vienmēr valkājiet aizsargbrilles un dzirdes aizsarglīdzekļus. Ieteicams valkāt cimdus, smagnējus, neslīdošus apavus un priekšautu.
- Pirms jebkura piederuma lietošanas skatiet informāciju lietošanas pamācībā. Papildaprīkojuma nepareiza lietošana var izraisīt bojājumus un palielināt ievainojumu gūšanas iespējas.
- Izmantojiet tikai šajā rokasgrāmatā norādītās ripas atbilstoši EN 847-1.
- Ievērojiet uz zāģa ripas norādīto maksimālo ātrumu. Pārliecinieties, ka uz zāģa plātnes norādītais ātrums, ir vismaz vienāds ar ātrumu, kas norādīts uz zāģa.
- Obligāti izmantojiet pareiza izmēra un formas zobus. Ripas, kuru forma neatbilst zāģa stiprināšanas ietaisēm, kustēsies ekscentriski, kas mazina kontroli pār zāģi.
- Neizmantojiet ripas, kuru diametrs ir lielāks vai mazāks par ieteicamo. Ripas uzstādīšanai uz ass neizmantojiet nekādas starplikas.
- Pārbaudiet zāģa asmens uzliku bojājumus vai normai neatbilstošu izskatu pirms katras lietošanas reizes. Uzlikas, kas ir bojātas vai valīgas, lietošanas laikā var kļūt par lidojošiem priekšmetiem un palielināt ievainojumu gūšanas iespēju.
- Neizmantojiet ielplaisājušus vai izkropļotus zāģa asmeņus. Neizmantojiet bojātus vai deformētus zāģa asmeņus.
- Iznīciniet zāģa asmeni, ja tas bojāts, deformēts, salauzts vai saplaisājis; remonts nav atļauts.
- Neizmantojiet HSS ripas.
- Nodrošiniet, ka zāģa asmens ir pareizi uzstādīts, kārtīgi pievelciet fiksācijas uzgriezni (novilkšanas spēks aptuveni 12-15 Nm).
- Fiksācijas skrūve un uzgriežņi ir jānovelk izmantojot





piemērotu uzgriežņu atslēgu utml.

- Uzgriežņa atslēgas pagarināšana vai uzgriežņa novilkšana ar āmura sitieniem nav atļauta.
- Pārļiecinieties, vai visi asmeņi un atloki ir tīri un ieliktnā atvirzītās malas atrodas pret asmeni.
- Pārļiecinieties, vai ripa griežas pareizajā virzienā.
- Pirms darba, veiciet izmēģinājuma zāģējumu, ar izslēgtu motoru, lai pārbaudītu asmens stāvokli, aizsargu darbību attiecībā pret pārējām iekārtas daļām un darba materiālu.
- Nekad neatstājiet produktu bez uzraudzības.
- Neļojiet ripu tās ekspluatācijas laikā.
- Nekad neveiciet nekādus tīrīšanas vai apkopes darbus, ja mašīna joprojām darbojas un tās galva nav miera pozīcijā.
- Nekad nemēģiniet ātri apturēt kustībā esošu iekārtu, spiežot darba rīku vai kādu citu priekšmetu pret ripu, jo šādi var nejausī izraisīt nopietnus negadījumus.
- Atvienojiet instrumentu no sprieguma padeves vai noņemiet akumulatora bloku, pirms veikt zāģa ripu nomaiņu vai apkopi.
- Pievērsiet uzmanību asmens iepakojšanai un izpakošanai, asās asmens plāksnes viegli var radīt ievainojumus.
- Darbojoties ar zāģa asmeni velciet cimdus vai izmantojiet asmens turētāju.
- Turiet un glabājiet asmeni tā oriģinālajā iepakojumā vai citā atbilstošā iepakojumā, glabājiet to sausumā un prom no ķīmikālijām, kas var bojāt asmeni.

## PAPILDU DROŠĪBAS BRĪDINĀJUMI

- Vienmēr droši un cieši nostipriniet apstrādājamo objektu.
- Vienmēr nodrošiniet ierīces stabilitāti un drošību (t.i., nostipriniet uz darbgalda).
- Lietojiet dzirdes aizsargus. Ausu pakļaušana trokšņa iedarbībai var izraisīt dzirdes traucējumus.
- Izmantojot produktu, vienmēr nēsājiet aizsargbrilles. Ieteicams valkāt cimdus, ja strādājat ar asmeni un neapstrādātu materiālu, kā arī izturīgus un ne slīdošus apavus, lai aizsargātu kājas no gabaliem, kas var nokrist no griešanas zonas.
- Atvienojiet produktu no sprieguma padeves vai noņemiet akumulatora bloku, pirms veikt jebkādas apkopes vai tīrīšanas darbus.
- Uzstādiet akumulatoru bloku tikai, ja produkts ir izslēgts.
- Nekādā gadījumā nemēģiniet aizsniegt laukumu asmens tuvumā, ja tas nav pilnībā apstājies.
- Pirms lietošanas rūpīgi pārbaudiet produktu un akumulatoru bloku, vai tam nav bojājumu vai materiāla noguruma pazīmes. Jebkādas produkta remontdarbus drīkst veikt tikai pilnvarots servisa centrs.
- Vienmēr uz produkta lietojiet aizsargus. Neizmantojiet produktu, ja aizsargi nav uzstādīti, vai pienācīgi nedarbojas.
- Apakšējam asmens aizsargam ir jāatveras tikai, kad asmens tiek nolaists uz zāģējamā materiāla, un tam vienmēr ir jāvar brīvi kustēties un aizvērties automātiski.

- Detalās atbalstam darba laikā vienmēr nostipriniet un izmantojiet pagarinājuma stienus.
- Nekad neizmaniet produktu vai tā funkcijas. Jūsu drošība var tikt apdraudēta.
- Neizmantojiet asmeņus, ja tie ir ieplaisājuši, bojāti vai deformēti.
- Neizmantojiet zāģa asmeņus, kas izgatavoti no ātrgriezējēterauda.
- Izmantojiet tikai asus asmeņus. Nomainiet trulus asmeņus.
- Obligāti izmantojiet pareiza izmēra un formas zobus. Ripas, kuru forma neatbilst zāģa stiprināšanas ietaisēm, kustēsies ekscentriski, kas mazina kontroli pār zāģi.
- Izmantojiet tikai kokapstrādes asmeņus, kas norādīti šajā rokasgrāmatā un atbilst standartam EN 847-1.
- Lietojiet tikai sniegtos vai pamācībā norādītos atlokus, paplāksnes un uzgriežņus, lai nostiprinātu zāģa asmeni.
- Nepieciešams izvēlēties zāģa asmeni, kas ir piemērots griežamajam materiālam. Nekad neizmantojiet produktu, lai zāģētu materiālus, kas nav norādīti šīs rokasgrāmatas sadaļā par paredzēto pielietojumu.
- Svarīgi ir nepieļaut asmens pārkaršanu un plastikāta kušanu zāģēšanas laikā.
- Ir svarīgi ievērot maksimālo rotācijas ātrumu, kas norādīts uz zāģa ripas, izmantojiet tikai zāģa ripas, uz kurām norādītais ātrums ir vienāds vai augstāks par norādīto uz instrumenta.
- Nomainiet galda ieliktni, ja tas ir nolietots vai bojāts.
- Pirms darba, veiciet izmēģinājuma zāģējumu, ar izslēgtu motoru, lai pārbaudītu asmens stāvokli, aizsargu darbību attiecībā pret pārējām iekārtas daļām un darba materiālu.
- Veicot slīpus, noliekts vai kombinētos griezumus, pielāgojiet kustīgo atduri vai tās daļu, lai nodrošinātu, ka tās neatrodas zāģa ripas ceļā.
- Pārvadājot produktu, vienmēr nostipriniet roktura aizslēgu.
- Uzturiet grīdu tīru no materiālu atlikumiem, piem. skaidām un atgriezumiem.
- Neņemiet atgriezumus vai citas daļas no apstrādājamā materiāla griešanas zonā, kad ierīce darbojas un zāģa galva nav izslēgtā pozīcijā.
- Gari apstrādājami materiāli atbilstoši jāatbalsta. Zāģa darba zonā ietilpst viss darba galds. Operatoram būtu jānorobežo darba vieta no nejausās saskares ar citām personām vai objektiem, kas darba laikā var kustēties.
- Produkta izmantošanas laikā radītie putekļi var būt kaitīgi veselībai. Lietojiet putekļu izvadišanas sistēmu un valkājiet piemērotu aizsargmasku pret putekļiem. Rūpīgi noņemiet nogulsņējušos putekļus, piemēram, ar putekļsūcēju.
- Neaizstājiet ar cita veida lāzeru. Jebkuru instrumenta remontu drīkst veikt tikai ražotājs vai tā pilnvarota servisa pārstāvis.
- Apkārtējās vides temperatūras diapazons instrumentam lietošanas laikā ir starp 0°C un 40°C.
- Apkārtējās vides temperatūras diapazons instrumenta uzglabāšanai ir starp 0°C un 40°C.







- Ieteicamais apkārtējās vides temperatūras diapazons lādēšanas sistēmai uzlādes laikā ir starp 10°C un 38°C.

### LITIJA AKUMULATORU PĀRVADĀŠANA

Pārvadājiet akumulatoru saskaņā ar vietējiem un valsts nosacījumiem un noteikumiem.

Ja akumulatoru pārvadāšanu veic trešā puse, ievērojiet visas īpašās prasības par iepakojšanu un marķēšanu. Transportējot nodrošiniet, lai akumulatori nesaskaras ar citiem akumulatoriem vai vadošiem materiāliem, atsegtos savienotājus aizsargājot ar izolējošiem, nevadošiem vāciņiem vai lenti. Nepārvietojiet akumulatorus, kas ir ieplaisājuši vai ar noplūdi. Konsultējieties ar pārsūtīšanas uzņēmumu.

### PAPILDU AKUMULATORU BLOKA DROŠĪBAS BRĪDINĀJUMI

#### ▲ BRĪDINĀJUMS

Lai novērstu īssavienojuma izraisītu aizdegšanās, savainojumu vai produkta bojājuma risku, neiegremdējiet instrumentu, maināmo akumulatoru vai uzlādes ierīci šķidrums un rūpējieties par to, lai ierīcēs un akumulatoros neieklejūtu šķidrums. Koroziju izraisoši vai vadītspējīgi šķidrums, piemēram, sālsūdens, noteiktas ķīmikālijas, balinātāji vai produkti, kas satur balinātājus, var izraisīt īssavienojumu.

- Apkārtējās vides temperatūras diapazons akumulatoram lietošanas laikā ir starp 0°C un 40°C.
- Apkārtējās vides temperatūras diapazons akumulatora uzglabāšanai ir starp 0°C un 20°C.

### LĀZERA DROŠĪBA

- Zāģu lāzera rādītāja starojums atbilst 2 klasei ar maksimālo jaudu ≤1mW jaudu un 650 nm viļņa garumu. Neskatieties tieši lāzera starā. Noteikumu neievērošanas rezultātā var rasties nopietni miesas bojājumi.
- Darba laikā neskatieties lāzera starā.
- Nevīziet lāzera staru tieši apkārtējo acīs. Var rasties nopietnas acu traumas.
- Nenovietojiet lāzera vietā, kurā apkārtējie varētu tīši vai netīši skatīties lāzera starā.
- Neizmantojiet optiskos instrumentus, lai skatītos lāzera starā.
- Nelietojiet lāzera bērnu tuvumā un neļaujiet bērniem darbināt lāzera.
- Nemēģiniet pašrocīgi veikt lāzerierīces remontu.
- Nemēģiniet pats mainīt lāzerierīces daļas.
- Visus remontdarbus drīkst veikt tikai lāzera ražotājs vai pilnvarots servisa speciālists.
- Neaizstājiet ar cita veida lāzera.

### PALIEKOŠIE RISKI

Pat tad, ja ierīce tiek lietota, kā aprakstīts, joprojām nav iespējams pilnībā novērst atsevišķus riska faktorus. Lietošanas laikā var rasties šādas briesmas un strādniekam

Tpaša uzmanība jāpievērš šim:

- Pastāv savainojumu risks, ja rotējošs zāģis saskaras ar nenosegtu miesu.
  - Sagataves un gataves detaļu atsitiens neatbilstošas apiešanās dēļ.
  - Bojātu karbīda gabalu izvietošana no zāģa asmens.
  - Bojājums elpošanas sistēmai.
- PIEZĪME:** Valkājiet elpošanas aizsargmaskas, kurām ir apstrādājamiem materiāliem atbilstoši filtri. Darba vietā nodrošiniet atbilstošu ventilāciju. Darba vietā neēdiet, nedzeriet un nesmēķējiet.
- Dzirdes bojājums, ja nelietojat efektīvu dzirdes aizsargu.

#### ▲ BRĪDINĀJUMS

Putekļi no dažādām krāsām, klājumiem un materiāliem var izraisīt kairinājumu vai alerģijas reakcijas elpošanas sistēmai. Putekļi no tādām kociem, kā ozols, dižskābardis, šķiedrkartons un citiem ir kancerogēni. Ar azbestu saturošu materiālu būtu jāstrādā tikai kvalificētiem speciālistiem.

#### ▲ BRĪDINĀJUMS

Ilgstoša instrumenta lietošana var izraisīt traumas vai pasliktināt veselības stāvokli. Ilgstoši lietojot jebkuru instrumentu, pārlecieties, ka tiek veikti regulāri pārtraukumi.

### IERĪCES IEPAZĪŠANA

Skatīt 215. lpp.

1. Rokturis, izolēta satveršanas virsma
2. Ieslēgšanas/izslēgšanas slēdzis.
3. Drošības slēdža rokturis
4. Augšējais aizsargs
5. Zāģa asmens
6. Apakšējais aizsargs
7. Galvenais aizsargs
8. Rotējošā daļa
9. Pamatne
10. Galda ieliktnis
11. Rotējošās daļas slēdža rokturis
12. Līdzsvara kājiņa
13. Pretapgāšanās stienis
14. Lāzera slēdzis
15. Augšējais rokturis, izolēta satveršanas virsma
16. Uzlika
17. Balsta apstāšanās
18. Noliekuma leņķa fiksācijas svira
19. Skava
20. Bīdāmais aizsargs
21. Uzstādīšanas caurums
22. Pagarinājuma stienītis
23. Galvenā atbalsta fiksācijas skrūves
24. Vārpstas bloķēšanas poga
25. Akumulators
26. Putekļu soma
27. Zāģēšanas dziļuma iestatīšanas poga
28. Maksimālā zāģēšanas dziļuma apstādīšana



- 29. Lineārā stienīša apstāšanās poga
- 30. Maksimālā leņķa un slīpuma uzstādīšanas skrūves
- 31. Sešstūrveida uzgriežņu atslēgā

## EKSPLOATĀCIJA

Ierīce ir aprīkots ar kustīgu zāģa asmeni, kas var tikt iestatīts dažādos leņķos, strādājot ar objektu, kas cieši nostiprināts uz pamatnes. To var lietot tikai viena persona, lai novērstu risku nejauši saskarties ar kustīgu asmeni.

Ierīces drošas lietošanas principi:

- Uzturiet zāģi, asmeņus un darba vietu labā stāvoklī.
- Nostipriniet leņķzāģa pamatni pie izturīga darba sola. Ierīce var kustēties un apgāzties, ja tā nav pienācīgi nostiprināta.
- Uzstādiat griešanas leņķus un dziļumu pirms veicat griezumus.
- Nostipriniet apstrādājamo objektu pie zāģa pamata. Lietojiet sniegto skavu un, kur nepieciešams, izmantojiet papildu skavas vai turēšanas mehānismus, lai novērstu neīstu apstrādājamā objekta kustību griešanas laikā.
  - Pārlicinieties, ka asmens aizsargu darbību neierobežo apstrādājamā objekta pozīcija.
  - Pārlicinieties, ka aizsargs un citas ierīces daļas netiks sagrieztas asmenim nolaižoties zāģēšanas pozīcijā.
- Iedarbiniet ierīci un ļaujiet asmenim sasniegt maksimālo ātrumu, pirms nolaižat to, lai grieztu apstrādājamo objektu. Ja nepieciešams, virziet asmens bloku atpakaļ, lai pabeigtu griezienu.
- Ļaujiet asmenim pacelties līdz tā augšējai pozīcijai, kur asmens aizsargi ir pilnībā aizvērti. Izslēdziet ierīci un ļaujiet asmenim pilnībā apstāties pirms noņemat apstrādājamo objektu vai atgriezumus, vai mēģiniet tūvoties asmenim.

Pirms pirmās lietošanas reizes, pārlicinieties, ka objekta leņķis vai slīpums atbilst ierīces leņķim. Pārbaudiet to uz nevajadzīga koka gabala, izmantojot galdnieka instrumentus vai leņķa stūreni.

## ▲ BRĪDINĀJUMS

Ražotājs iesaka, ka precei vienmēr jābūt droši nostiprinātai pie sola.

Kad instrumenta pamatne ir atbilstoši instrukcijām, nekustīgi nostiprināta uz sola virsmas ar četrām skrūvēm, paplāksnēm un uzgriežņiem, to var izmantot ar maksimālajiem noliekuma un slīpuma iestatījumiem bez riska tam tikt apgāzta. Ja ierīce nav pareizi nostiprināta, tā var zaudēt līdzsvaru, ja ir izvēlēts liels leņķis.

Leņķzāģa priekšā ir izvelkams stienītis, kas būtu jāizvelk maksimāli tālu. Tas novērsīs leņķa zāģa līdzsvara zudumu. Ir arī regulējama skrūve (līdzsvara kājiņa) kas sniedzas no pagarinājuma apakšas. Šī skrūve jāpielāgo tā, lai tā skartu to virsmu, uz kuras atrodas ierīce. Tas novērsīs ierīces līdzsvara zudumu, strādājot ar maksimāliem leņķiem un slīpumiem. Uzmaniību, šī zāģa galda daļa ir kustīga, ja ir izvēlēti citādi leņķi, tāpēc skrūvei jābūt bieži pielāgotai un atiestatītai.

## APKOPE

- Nepārveidojiet ierīci jebkādā veidā, kā arī nelietojiet piederumus, kas nav ražotāja apstiprināti. Jūsu un citu drošība var tikt apdraudēta.
- Neizmantojiet ierīci, ja slēdži, aizsargi vai citas funkcijas nestrādā kā paredzēts. Vērsieties pilnvarotā servisa centrā, lai saņemtu profesionālu remontu vai pielāgojumus.
- Neveiciet pielāgojumus, kamēr asmens nav apstājies.
- Vienmēr pārlicinieties, ka akumulatoru bloks ir noņems no produkta pirms veikt regulēšanu, eļļošanu vai jebkādu produkta apkopi.
- Pirms un pēc katras lietošanas reizes, pārbaudiet vai ierīce un tās detaļas nav bojātas. Uzturiet ierīci vislabākajā tehniskajā stāvoklī, nekavējoties nomainot bojātās detaļas ar ražotāja ieteiktām rezerves daļām.
- Asmenim ir asas malas, pēc ēvelēšanas tas var būt sakarsis. Tūlīt atklātu asmeni, ievērojiet īpašu piesardzību. Valkājiet cimdus, lai aizsargātos no ievainojumiem.
- Regulāri notīriet zāģi un tā piederumus no putekļiem, it īpaši kustīgās daļas, ieskaitot asmens aizsargu. Izmantojiet slotiņu vai putekļsūcēju, lai efektīvi notīrītu putekļus. Neizmantojiet saspiestu gaisu.
- Lai nodrošinātu drošību un uzticamību, visus remontus, ieskaitot birstes maiņu, būtu jāveic pilnvarotā servisa centrā.

## ▲ BRĪDINĀJUMS

Nemēģiniet izjaukt asmens aizsarga mezglu, lai to tīrītu vai remontētu. Nedrīkst izmantot bojātus aizsargus. Atgrieziet pilnvarotā servisa centrā remontam vai nomainītai.

## ▲ BRĪDINĀJUMS

Lielākas drošības un uzticamības labad visi remontī jāveic pilnvarotā apkopes centrā.

## Slīpuma un noliekuma leņķa kalibrēšana

Ja nepieciešama slīpuma un noliekuma leņķa kalibrēšana, skatiet 236 - 242 lappusi un sekojiet kalibrēšanas norādēm.

## Maksimālā zāģēšanas dziļuma apstādīšana

Maksimālais griešanas dziļums ir paredzēts, lai novērstu asmeni no iegriešanas metāla pamatnē.

## ▲ BRĪDINĀJUMS

Ierīces lietotāji nevar regulēt maksimālo griešanas dziļumu. Nepielāgojiet maksimālo zāģēšanas dziļumu.

## TRANSPORTĒŠANA UN UZGLABĀŠANA

- Uzglabājot produktu, noņemiet akumulatoru bloku. Glabājiet ierīci drošā vietā, kas nav pieejama bērniem.
- Pirms uzglabāšanas, notīriet ierīci ar otīņu vai putekļu

sūcēju.

- Ja noņemat zāga asmeni un glabājat rezerves kopā ar ierīci, pārliecinieties, ka tās ir oriģinālajā iepakojumā, lai novērstu iespēju savainoties.

#### Lai nodrošinātu ierīci pirms pārvietošanas:

- Ierīce jāuzglabā nulle grādu leņķī un slīpumā un nostiprināta šādā pozīcijā. Bīdāmā daļa būtu jānobloķē. Rokturim ir jābūt nostiprinātam apakšējā (drošā) pozīcijā ar slēgtiem aizsargiem.
- Lai atvieglotu pārvietošanu, vienas vai abu pušu pagarinājuma stieņus var noņemt.

#### Pārvietojiet vai transportējot:

- Pirms pārvietošanas, nostipriniet ierīci kā norādīts instrukcijā.
- Noņemiet precī no sola, atskrūvējot 4 skrūves, pa vienai katrā stūrī. Saglabāiet skrūves turpmākai izmantošanai. Paceliet ierīci izmantojot augšpusē atrodamo rokturi.
- Lai novietotu ierīci augstākā vietā, ir nepieciešamas divas personas ar aizsargcimdīm, kas paceltu ierīces pamatu.
- Pārvietojot ierīci transportlīdzeklī, novietojiet ierīci uz tās pamata un nostipriniet pret kustēšanos.

### VIDES AIZSARDZĪBA



Tā vietā, lai izejmateriālus izmestu atkritumos, nododiet tos otrreizējai pārstrādei. Mašīna, aksesuāri un iepakojums ir jāsašķiro un jānodod videi draudzīgā atkārtotas pārstrādes vietā.

### UZ PRECES ESOŠIE SIMBOLI



Drošības brīdinājums



CE atbilstība



EurAsian atbilstības marķējums



Ukrainas apstiprinājuma zīme



Pirms iedarbināt mašīnu, lūdzu rūpīgi izlasiet instrukcijas.



Lietojiet dzirdes aizsargus



Vienmēr lietojiet aizsargbrilles.



Sargājiet rokas no griešanas zonas un asmens.



Sargājiet no lietus un nelietojiet mitrās vietās.



Valkājiet aizsargcimdus



Zāga ripas griešanās virziens (parādīts uz ripas)



Asmens rotācijas virziens (norādīts uz asmens aizsarga)



Asmens griezuma platums (ceļš)



Šīs zāga ripas zobu skaits



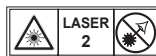
Zāgēšanas ražība



Koka vai līdzīga materiāla zāgēšanai



Nav piemērots metāla zāgēšanai



Lāzera starojums.  
Neskatieties staru kūlī.  
2. klases lāzera produkts  
Izlietotie elektroprodukti nedrīkst tikt izmesti kopā ar māsaimniecības atkritumiem. Lūdzu, nododiet tos attiecīgajās atk ār totas izmantošanas vietās. Sazinieties ar savu vietējo varas pārstāvi vai izplatītāju, lai noskaidrotu, kur iespējama atkārtota pārstrāde.



### SIMBOLI ROKASGRĀMATĀ



Bloķētājs



Atbloķēt



Bloķēšanas mehānisms nedarbojas



Atsevišķi nopērkamās daļas vai piederumi



Piezīme



Brīdinājums

Lai izskaidrotu risku, kas saistīti ar izstrādājumu, līmeni, paredzēti šādi norādījuma vārdi un jēdzieni.

#### **BĪSTAMI**

Norāda uz nenovēršami bīstamu situāciju, kas, ja netiks novērsta, izraisīs nāvi vai nopietnus miesas bojājumus.

#### **BRĪDINĀJUMS**

Norāda uz potenciāli bīstamu situāciju, kas, ja netiks novērsta, var izraisīt nāvi vai nopietnus miesas bojājumus.

#### **UZMANĪBU**

Norāda uz potenciāli bīstamu situāciju, kas, ja netiek novērsta, var izraisīt vieglus vai vidējus miesas bojājumus.

#### **UZMANĪBU**

(Bez drošības trauksmes simbola), kas norāda, uz situāciju, kas var novest pie īpašuma bojājuma.



Gaminant jūsų kamininį pjūklą didžiausia svarba buvo teikiama jo saugai, efektyvumui ir patikimumui.

## NAUDOJIMO PASKIRTIS

Šis kamininis pjūklas skirtas vientsiai ir klijuotai medienai, taip pat į medieną panašioms medžiagoms su klijuota faneros ir plastiko apdaila arba be jos, pjauti.

Gaminys skirtas naudoti suaugusiems operatoriams, kurie perskaitė instrukcijų vadovą ir supranta kylančius pavojus.

Šio įrenginio pagrindą reikia pritvirtinti prie tvirto darbatalio. Jeigu pagrindas negerai pritvirtintas, pjaunant gali pajudėti visas įrenginys, o tai padidina sunkių sužeidimų pavojų.

Šis gaminys skirtas įstrižiesiems ir nuožambiesiems pjūviams atlikti. Įvairių pjūvių parametrai nurodyti gaminio specifikacijose šiose instrukcijose.

Įrenginį reikia naudoti sausoje aplinkoje, kurioje yra puikus aplinkos apšvietimas ir pakankama ventilacija.

Gaminys – plataus vartojimo ir turi būti naudojamas tik pagal nurodytą paskirtį.

## BENDROSIOS ELEKTRINIO ĮRANKIO SAUGOS Taisyklės

### ⚠ ĮSPĖJIMAS

**Perskaitykite visus saugos įspėjimus, visas instrukcijas, poveikslėlius ir techninius reikalavimus, pateikiamus su šiuo elektriniu įrankiu.** Apačioje išdėstyti instrukcijų nesilaikymas gali sukelti elektros smūgi, gaisrą ir (ar) sunkius sužeidimus.

**Kad tinkamai naudotumėte įrankį, žr. visus perspėjimus ir nurodymus.** Įspėjimuose naudojama sąvoka „elektrinis įrankis“ reiškia prie elektros tinklo jungiamą (laidinį) elektrinį įrankį arba akumuliatoriumi maitinamą (belaidį) elektrinį įrankį.

### DARBO ZONOS SAUGUMAS

- Darbo vieta turi būti švari ir gerai apšviesta. Nelaimingi atsitikimai įvyksta netvarkingose ar tamsiose vietose.
- Nenaudokite elektrinių įrankių, jei šalia yra degios ir sprogti galinčios medžiagos (degūs skysčiai, dujos ar dulkės). Elektriniai įrankiai kibirkščiuoja ir gali uždegti dulkes arba garus.
- Neleiskite vaikams ir šalia esantiems asmenims būti šalia įjungto elektrinio įrankio. Išsiblaškę galite prarasti kontrolę.

### ELEKTROS SAUGA

- Elektrinio įrankio kištukai turi atitikti kištukinį lizdą. Niekada nekeiskite kištuko. Su įžemintais (įžeminimo) elektriniais įrankiais niekada nenaudokite kištukų adapterių. Nepakeisti kištukai ir atitinkantys lizdai sumažina elektros smūgio pavojų.
- Stenkitės nesiliesti prie įžemintų ar įžeminimo paviršių (vamzdžių, radiatorių, grandinių/viryklių, šaldytuvų). Įžeminus savo kūną, padidės elektros smūgio pavojus.
- Saugokite elektrinius įrankius nuo lietaus ar

drėgmės. Dėl vandens, patekusio į elektrinį įrankį, padidėja elektros smūgio pavojus.

- Laidą naudokite pagal jo paskirtį. Niekada jo nenaudokite elektriniams įrankiams pernešti, tempti ar išjungti. Saugokite maitinimo laidą nuo karščio, tepalų, aštrių kampų bei judančių detalių. Pažeisti ar supainioti laidai padidina elektros smūgio galimybę.
- Dirbdami su elektriniu įrankiu lauke, naudokite tik lauke naudoti skirtus ilginamuosius laidus. Naudojant tinkamą laukui laidą sumažinama elektros smūgio tikimybė.
- Jei būtina naudotis elektriniu įrankiu drėgnomis oro sąlygomis, naudokite likutinės srovės prietaisą (RCD). Naudojant RCD sumažinama elektros smūgio tikimybė.

### ASMENINĖ SAUGA

- Dirbdami su prietaisu būkite budrūs, stebėkite, ką darote bei vadovaukitės sveika nuovoka. Nenaudokite įrankio, jei esate pavargę, paveikti kvaišalu, alkoholio ar vaistų. Neatidumas darbo su elektriniu įrankiu metu gali sukelti sunkius sužeidimus.
  - Dėvėkite asmenines apsaugos priemones. Visada dėvėkite akių apsaugos priemones. Apsauginės priemonės, pavyzdžiui, apsauginės kaukės, batai neslidžiais padais, šalmas arba klausos apsaugos priemonės, naudojamos atitinkamomis darbo sąlygomis, sumažins pavojų susižaloti.
  - Saugokitės, kad įrankis netyčia neužsivestų. Prieš prijungdami gaminį prie maitinimo ir (arba) akumuliatorių bloko, jį keldami arba nešdami įsitikinkite, kad jungiklis būtų išjungimo padėtyje. Nešant elektrinius įrankius ir laikant pirštą ant įjungimo jungiklio arba prijungiant elektrinius įrankius esant įjungtam jungikliui gali kilti nelaimingų atsitikimų.
  - Prieš įjungiant elektrinį įrankį, išimkite derinimo raktą ar veržliaraktį. Jei juos paliksite pridėtus prie besisukančios įrankio dalies, galite susižaloti.
  - Nesiekite per toli. Visada tvirtai stovėkite ir išlaikykite pusiausvyrą. Tai padės geriau kontroliuoti įrankį netikėtų situacijų metu.
  - Dėvėkite tik darbui tinkamus drabužius. Nedėvėkite laisvų, neprigludusių drabužių ir juvelyrinių dirbinių. Saugokitės, kad judančios dalys neįtrauktų plaukų ir drabužių. Laisvi drabužiai, papuošalai ar ilgi plaukai gali įspainioti į judančias prietaiso detales.
  - Jei pateikiami prietaisai dulkių ištraukimo ir surinkimo įrenginiais prijungti, būtina tinkamai juos prijunkite ir naudokite. Naudojant dulkių surinkimo sistemą galima sumažinti dulkių keliamus pavojus.
  - Nepasitikėkite vien savo patirtimi, įgyta dažnai naudojantis įrankiais,– neignoruokite įrankio naudojimo saugos taisyklių. Aplaidus veiksmai akimirksniu gali sukelti sunkų sužalojimą.
- ### ELEKTRINIO ĮRANKIO NAUDOJIMAS IR PRIEŽIŪRA
- Nenaudokite įrankio jėga. Reikia pasirinkti ir naudoti tinkamą paskirčiai gaminį. Tinkamu gaminiu šlifavimo darbai bus atliekami geriau, saugiau ir

EN  
FR  
DE  
ES  
IT  
NL  
PT  
DA  
SV  
FI  
NO  
RU  
PL  
CS  
HU  
RO  
LV  
LT  
ET  
HR  
SL  
SK  
BG  
UK  
TR  
EL



reikiamu projekciniu greičiu.

- **Nenaudokite elektrinio įrankio, jei jungiklio negalite įjungti ir išjungti.** Jungikliu nevaldomas elektrinis įrankis yra pavojingas ir jį reikia taisyti.
- **Ištraukite kištuką iš energijos šaltinio ir (arba) išimkite iš elektrinio įrankio akumuliatorių, ir tik po to atlikite elektrinių įrankių reguliavimo, priedų keitimo arba paruošimo sandėliavimui darbus.** Tokios prevencinės saugos priemonės sumažina pavojų, kad gaminyje netyčia įsijungs.
- **Laikykite elektrinį įrankį vaikams neprieinamoje vietoje ir neleiskite juo naudotis asmenims, kurie nemoka juo naudotis.** Neįgudusiems asmenims elektriniai įrankiai yra pavojingi.
- **Pržiūrėkite elektrinius įrankius ir priedus.** Patikrinkite judančių detalių nesutapimus, sukibimą, ar sumontuotos detalės nesulūžusios bei kitą būklę, kuri gali turėti neigiamos įtakos įrankio veikimui. Jei įrankis sugedęs, prieš naudojimą jį reikia suremontuoti. Nemažai nelaimingų atsitikimų įvyksta dėl netinkamai pržiūrimų prietaisų.
- **Pjovimo įrankiai privalo būti aštrūs ir švarūs.** Pržiūrėkite, kad pjovimo įrankiai būtų švarūs ir aštrūs. Tinkamai pržiūrimi pjovimo įrankiai su aštriais ašmenimis mažiau sukimba ir juos lengviau valdyti.
- **Gaminį, priedus, įrankių antgalius ir kt. naudokite laikydamiesi šių instrukcijų, atsižvelgdami į darbo sąlygas ir darbo, kurį reikia padaryti, pobūdį.** Naudokite elektrinį įrankį tik pagal tiesioginę paskirtį, kitaip sukelsite pavojingą situaciją.
- **Rankenos ir paviršiai, už kurių yra laikomas įrankis, privalo būti sausi, švarūs, netepaluoti ir nealyvuoti.** Slidžios rankenos ir laikymo paviršiai neleidžia saugiai naudotis įrankiu ir suvaldyti jo netikėtomis sąlygomis.

## AKUMULATORINIO ĮRANKIO NAUDOJIMAS IR PRIEŽIŪRA

- **Akumuliatorių įkraukite tik naudodami gamintojo nurodytą kroviklį.** Vienam baterijų tipui pritaiktą įkroviklį naudojant kito tipo baterijoms įkrauti gali kilti gaisras.
- **Elektrinius įrankius naudokite tik su specialiai jiems skirtais akumulatoriais.** Naudojant kitokius akumuliatorių blokus kyla sužalojimų ir gaisro pavojus.
- **Kai baterijų paketas nenaudojamas, laikykite jį atokiai nuo kitų metalinių daiktų, tokių kaip svaržėlės, monetos, raktai, viny, varžtai ar kiti smulkūs metaliniai daiktai, kurie gali sujungti gnybtus.** Sulietę akumuliatoriaus gnybtus galite nusideginti arba sukelti gaisrą.
- **Esant netinkamoms sąlygoms iš akumuliatorių gali išsivėsti skystis – venkite sąlyčio su juo.** Įvykus netyčiniam sąlyčiui, nuplaukite vandeniu. Jei skystis pateko į akis, kreipkitės medicininės pagalbos. Iš akumuliatorių išsivėjęs skystis gali dirginti arba deginti.
- **Nenaudokite akumuliatorių bloko ar įrankio, kuris yra sugadintas arba pakeistas.** Sugadinti arba pakeisti akumulatoriai gali veikti neprognozuojamai ir dėl to gali kilti gaisras, sproginimas arba pavojus

susižaloti.

- **Neleiskite, kad akumuliatorių blokas patektų į ugnį arba kad jį veiktų per didelė temperatūra.** Patekus į ugnį arba veikiant aukštesnei kaip 130 °C temperatūrai gali kilti sproginimas.
- **Laikykitės visų įkrovimo instrukcijų ir neįkraukite akumuliatorių bloko ar įrankio jei temperatūra yra už instrukcijoje nurodyto diapazono ribų.** Netinkamai įkraunant arba jei temperatūra yra už nurodyto diapazono ribų gali būti sugadinti akumulatoriai ir padidėti gaisro pavojus.

## TECHNINĖ PRIEŽIŪRA

- **Elektrinį įrankį turi remontuoti tik kvalifikuoti darbuotojai, kurie naudoja identiškas atsargines dalis.** Tai užtikrina elektrinio įrankio saugumą.
- **Niekada neremontuokite pažeistų akumuliatorių.** Akumuliatorius remontuoti gali tik jo gamintojai arba įgaliotieji techninės priežiūros paslaugų teikėjai.

## KAMPINIŲ PJŪKLŲ NAUDOJIMO SAUGOS INSTRUKCIJA

- **Kampiniai pjūklai skirti medienai arba medieną primenančioms medžiagoms pjauti; jų negalima naudoti su šlifuojamaisiais pjovimo diskais geležies ruošiniams, pavyzdžiui strypams, armatūrai, vinims ir pan., pjauštyti.** Šlifavimo metu kylančios dulkės strigdo judamasias dalis, pavyzdžiui apatinį apsauginį gaubtą. Šlifuojamojo pjovimo metu kylančios kibirkštys sudegins apatinį apsauginį gaubtą, prapjovos įdeklą ir kitas plastikines dalis.
- **Kai yra galimybė paremkite ruošinį spaustuvais.** Jeigu ruošinys laikomas ranka, ranka privalo būti laikoma bent 100 mm atstumu nuo pjovimo disko iš bet kurios jo pusės. Nepjunkite šiuo pjūklų tokių ruošinių, kurie yra per maži, kad juos galima būtų saugiai įtvirtinti spaustuvais arba laikyti ranka. Jeigu ranka bus per arti pjovimo disko, kils didesnis pavojus susižaloti prisilietus prie disko.
- **Ruošinys privalo nejudėti ir būti įtvirtintas spaustuvais arba laikomas prispaustas prie abiejų kreiptuvų bei pagrindo.** Nestumkite ruošinio disko link ir jokiais būdais nepjunkite „rankiniu būdu“. Neįtvirtinti arba judantys ruošiniai gali būti nusviesti dideliu greičiu ir sužaloti.
- **Pjunkite ruošinį, stumdami diską.** Nepjunkite ruošinio, traukdami disko. Norėdami padaryti pjūvį, pakelkite pjūklo galvutę ir nuleiskite ją ant ruošinio, neatlikdami ruošinio, įjunkite variklį ir, stumdami diską, pjaukite ruošinį. Pjaunant traukiant, pjovimo diskas gali išsokti iš ruošinio ir disko įtaisas gali būti didele jėga sviestas naudotojo link.
- **Niekada nesukryžiuokite rankų virš norimos pjovimo linijos nei prieš pjovimo diską, nei už jo.** Laikyti ruošinį sukryžiuotomis rankomis, t. y. kairiaja ranka laikyti ruošinį dešinėje pusėje ir atvirščiai, yra labai pavojinga.
- **Nekiškite rankų už kreiptuvo mažesniu nei 100 mm atstumu iš bet kurios pjovimo disko pusės, norėdami pašalinti medienos drožles arba dėl bet**



kokių kitokių priežasčių, kai diskas sukasi. Netiksliai nustačius atstumą nuo besisukančio pjovimo disko iki jūsų rankos, jūs galite būti sunkiai susižaloti.

- **Apžiūrėkite ruošinį, prieš pradėdami pjauti.** Jeigu ruošinys yra išlinkęs arba deformuotas, įtvirtinkite jį, atremdami išorinę išlinkusio paviršiaus pusę į kreiptuvą. Visada įsitikinkite, ar tarp ruošinio, kreiptuvo ir pagrindo išilgai pjovimo linijos nėra jokio tarpo. Išlinkę arba deformuoti ruošiniai gali pasisukti arba pasislinkti ir pjaunant įstrigdyti besisukančių pjovimo diską. Ruošinyje neturi būti vinių arba pašalinių elementų.
- **Nenaudokite pjūklo, kol nuo pagrindo nebus pašalinti visi įrankiai, medienos nuopjovos ir pan.;** ant pagrindo turi būti tik ruošinys. Mažos šiukšlės arba nupjautos medienos atraižos ar kiti daiktai gali prisliesti prie besisukančio disko ir būti nusviesti dideliu greičiu.
- **Vienu metu pjaukite tik po vieną ruošinį.** Sudėjus kelis ruošinius, jų neįmanoma tinkamai įtvirtinti arba sumti, todėl pjaunant jie gali pasislinkti arba gali užstrigti diskas.
- **Prieš naudodamiesi kampuiniu pjūkle, pastatykite arba sumontuokite jį ant lygaus, tvirto darbo paviršiaus.** Lygus, tvirtas darbo paviršius mažina pavojų, kad kampinis pjūklas taps nestabilus.
- **Planuokite savo darbą.** Kaskart pakeitę įstrižojo arba nuožambaus kampo nuostatą, būtinai įsitikinkite, ar reguliuojamasis kreiptuvas yra tinkamai nustatytas ruošiniui atremti ir jis netrukdyt diskui arba apsauginių gaubtų sistemai. NEJUNGDAMI įrankio ir nepadėję ant pagrindo ruošinio, stumkite pjovimo diską per visą išvaizduojamo pjūvio ilgį, kad įsitikintumėte, kad niekas netrukdyt ir nekils pavojus įpjauti kreiptuvą.
- **Už pagrindą platesnius arba ilgesnius ruošinius būtinai tinkamai paremkite, pavyzdžiui pagrindo ilgintuvais, ožiais ir pan.** Tinkamai neparėmus už kampinio pjūklo pagrindą ilgesnių arba platesnių ruošinių, jie gali pasvirti. Jeigu nupjautoji dalis arba ruošinys pasvirs, jis gali pakelti apatinį apsauginį gaubtą arba jį gali nusviesti besisukantis diskas.
- **Neprašykite, kad kitas žmogus laikytų ruošinį vietoj pagrindo ilgintuvo arba papildomos atramos.** Nestabiliu paremtas ruošinys pjovimo metu gali užstrigdyti diską arba ruošinys gali pasislinkti ir patraukti jus ir jūsų padėjėją ant besisukančio disko.
- **Nupjautoji dalis jokiais būdais neturi būti priremta arba prispausta prie besisukančio pjovimo disko.** Sulaikyta nupjautoji dalis, pavyzdžiui, naudojant ilgio stabdiklius, gali būti įremta į diską ir didele jėga nusviesta.
- **Visada naudokite spaustuvus arba specialius fiksatorius, kad tinkamai įtvirtintumėte apvalius ruošinius, pavyzdžiui strypus arba vamzdžius.** Pjaunami strypai yra linkę sukintis, todėl diskas „sikerta“ ir traukia ruošinį su jūsų ranka disko link.
- **Prieš paliečiant ruošinį, palaukite, kol diskas pradės sukintis visu greičiu.** Taip sumažės ruošinio nusiviedimo pavojus.
- **Jeigu ruošinys arba diskas užstrigtų, išjunkite**

kampinį pjūklą. Palaukite, kol visos judamosios dalys sustos, ir atjunkite elektros kištuką nuo elektros tinklo lizdo ir (arba) išimkite akumuliatorių. Tada pasistenkite atlaisvinti užstrigusią medžiagą. Jeigu toliau pjausite užstrigusį ruošinį, galite nesuvaldyti kampinio pjūklo arba jį sugadinti.

- **Pabaigę pjauti, atleiskite jungiklį, palikite pjovimo galvutę nuleistą ir palaukite, kol diskas sustos, tada patraukite nupjautąją dalį.** Kišti rankas prie besisukančio disko yra pavojinga.

## MEDIENOS PJOVIMO GELEŽTĖS SAUGOS NURODYMAI

- Prieš naudodamiesi šiuo pjovimo disku ir gaminiu, atidžiai perskaitykite šią instrukciją.
- Variklinis įrankis turi būti gerai sutvarkytas ir geros būklės, suklytys turi būti be deformacijų ir neivbruoti.
- Nenaudokite gaminio be tinkamai sumontuotų apsauginių gaubtų. Apsauginiai įrenginiai turi būti geros darbo būklės ir tinkamai prižiūrimi.
- Užtikrinkite, kad naudotojas būtų tinkamai kvalifikuotas naudoti ir reguliuoti gaminį, ir žinotų saugos taisykles.
- Naudodamiesi šiuo gaminiu, visada dėvėkite apsauginius darbo akinius ir klausos apsaugos priemones. Rekomenduojama mėvėti pirštines, stabilius batus neslystančiais padais bei prijuostę.
- Prieš naudojant bet kokį priedą susipažinkite su jo naudojimo instrukcijomis. Netinkamai naudojant priedus gali būti padaryta žala ir kyla didesnis pavojus susižeisti.
- Naudokite tik šioje instrukcijoje nurodytas geležtes, atitinkančias standartą EN 847-1.
- Atkreipkite dėmesį į didžiausią leistiną greitį, pažymėtą ant pjūklo geležtės. Pasirūpinkite, kad greitis, nurodytas ant pjūklo geležtės, mažiausiai atitiktų greitį, nurodytą ant pjūklo.
- Visada naudokite veleno angų geležtes tinkamo dydžio ir formos. Geležtės, nepritaikytos pagal pjūklo montavimo detales, sukis ekscentriškai, dėl to pjūklo nesuvaldysite.
- Nenaudokite didesnio ar mažesnio skersmens geležčių nei rekomenduojama. Nenaudokite jokių tarpiklių, norėdami geležtę pritaikyti taip, kad ji atitiktų ašį.
- Prieš naudodami patikrinkite pjūklo geležtės ašmenis, ar jos nėra pažeistos ir ar nėra pasikeitusi jų išvaizda. Ašmenų galai, kurie yra pažeisti arba atsipalaidavę, naudojant gali būti išsviesti ir padaryti sužalojimų.
- Nenaudokite įskilusių ar deformuotų geležčių. Nenaudokite pažeistų ar įtrūkusių pjūklo geležčių.
- Jei pjūklo geležtė yra pažeista, deformuota, persikreipusi ar įtrūkusi, ją atiduokite į atliekas; remontuoti jos negalima.
- Nenaudokite didelio greičio plieno (HSS) geležčių.
- Įsitikinkite, ar diskas yra tinkamai sumontuotas, ir prieš naudojimą tvirtai užveržkite veleno veržlę (veržimo sukimo momentas t. b. maždaug 12–15 Nm).
- Tvirtinimo varžtus ir veržles privaloma užveržti tinkamu veržliarakčiu ir pan.
- Neleidžiama naudoti veržliarakčio ilgintuvų arba

|           |
|-----------|
| EN        |
| FR        |
| DE        |
| ES        |
| IT        |
| NL        |
| PT        |
| DA        |
| SV        |
| FI        |
| NO        |
| RU        |
| PL        |
| CS        |
| RO        |
| HU        |
| LV        |
| <b>LT</b> |
| ET        |
| HR        |
| SL        |
| SK        |
| BG        |
| UK        |
| TR        |
| EL        |





priveržti smūgiuojant plaktuku.

- Užtikrinkite, kad visos geležtės ir jungės būtų švarios ir movos pusės su grioveliais būtų nustatytos prie disko.
- Užtikrinkite, kad geležtė suktųsi teisinga kryptimi.
- Prieš pradėdami darbą, atlikite tuščiaieįjį pūvį esant išjungtam varikliui, kad patikrintumėte geležtės padėtį bei tai, kaip veikia apsauginiai įrenginiai kitų staklių dalių bei ruošinio atžvilgiu.
- Niekada nepalikite gaminio be priežiūros.
- Geležtei sukantis jos netepkite alyva.
- Niekada neatlikite jokių valymo ar techninės priežiūros darbų, kai įrenginys yra įjungtas ir veikiantis bei diskas sukasi.
- Veikiančio įrenginio niekada nebandykite sustabdyti staiga prie disko užkišdami kokį įrankį ar kitą daiktą, nes tokiu būdu netyčia galite sukelti nelaimingą atsitikimą.
- Prieš keisdami diskus arba atlikdami techninės priežiūros darbus, atjunkite gaminį nuo maitinimo tinklo arba išimkite akumulatoriaus bloką.
- Būkite atsargūs supakuodami ir išpakuodami geležtę: aštrios geležtės antgaliais galima nesunkiai susižaloti.
- Pjūklo geležtę galima liesti tik įdėtą į laikiklį arba mūvint pirštines.
- Geležtę laikykite originalioje ar kitoje tinkamoje pakuotėje; laikykite sausomis sąlygomis ir atokiai nuo chemikalų, kurie gali ją pakenkti.

#### PAPILDOMI SAUGOS PERSPĖJIMAI

- Ruošinį būtina saugiai ir tvirtai suveržti.
- Patikrinkite, ar prietaisas visada yra stabilus ir saugus (pvz., pritvirtintas prie darbo stalo).
- Naudokite ausų apsaugos priemones. Jei ausų neapsaugosite, galite prarasti klausą.
- Naudodamiesi šiuo gaminiu, visada dėvėkite apsauginius darbo akinius. Liečiant geležtes ir žaliavas, patartina mūvėti pirštines, taip pat patartina avėti tvirtus neslidžius batus, kad kojos būtų apsaugotos nuo ruošinių, kurie gali nukristi nuo darbatalio.
- Prieš atlikdami techninės priežiūros darbus arba valydami gaminį, atjunkite jį nuo maitinimo tinklo arba išimkite akumulatoriaus bloką.
- Akumulatoriaus bloką galima įdėti tik tada, kai gaminys yra išjungtas.
- Jokiu būdu negalima kišti rankų arti geležčių, jei jos nors kiek juda.
- Prieš naudojimą kruopščiai patikrinkite gaminį ir akumulatoriaus bloką, ar nėra pažeidimų ar medžiagos nuovargio požymių. Viso gaminio remontą leidžiama atlikti tik įgaliotajame techninės priežiūros centre.
- Visada naudokite ant gaminio esančius apsauginius gaubtus. Nesinaudokite gaminiu, jei apsauginiai gaubtai nesumontuoti arba jie tinkamai neveikia.
- Apatinis apsauginis disko gaubtas turi atsidaryti tik tada, kai diskas yra nuleidžiamas ant ruošinio, ir jis visada privalo laisvai judėti bei automatiškai užsidaryti.
- Dirbdami visada užfiksuokite ir naudokite ruošiniui atremti skirtus ilginimo strypus.
- Niekada nekeiskite ir nemodifikuokite gaminio ar jo

funkcijos. Gali kilti pavojus jūsų saugai.

- Negalima naudoti sutrūkinėjusių, pažeistų ar deformuotų pjūklo geležčių.
- Nenaudokite pjūklo geležčių, pagamintų iš didelio greičio plieno.
- Reikia naudoti tik aštrias geležtes. Pakeiskite bukas geležtes.
- Visada naudokite veleno angų geležtes tinkamo dydžio ir formos. Geležtės, nepritaikytos pagal pjūklo montavimo detales, sukis ekscentriškai, dėl to pjūklo nesuvaldysite.
- Naudokite tik šioje instrukcijoje nurodytus medienos pjovimo diskus, kurie atitinka standartą EN 847-1.
- Pjūklo geležtės negalima tvirtinti jungėmis, poveržlėmis ir veržlėmis, kurių nėra įrankio komplekte arba kurios nenurodytos instrukcijų vadove.
- Būtina pasirinkti pjūklo geležtę, kuri yra tinkama pjaunamai medžiagai. Niekada nenaudokite gaminio kitoms medžiagoms pjauti, išskyrus tas, kurios yra nurodytos šioje naudojimo instrukcijoje.
- Vykdamt plastiko pjovimo darbus, svarbu, kad diskas neperkaistų ir plastikas neišsilydytų.
- Naudokite tik tuos pjovimo diskus, ant kurių nurodytas maksimalus sukimosi greitis prilygsta arba viršija ant įrankio nurodytą sukimosi greitį.
- Pakeiskite susidėvėjusį ar pažeistą stalo įdėklą.
- Prieš pradėdami darbą, atlikite tuščiaieįjį pūvį esant išjungtam varikliui, kad patikrintumėte geležtės padėtį bei tai, kaip veikia apsauginiai įrenginiai kitų staklių dalių bei ruošinio atžvilgiu.
- Kai pjausite nuožambiu kampu, įstrižai arba atliksite sudėtinius nuožambaus kampo pjūvius, slankųjį nuožambių kampu kreiptuvą įtaisykite taip, kad liktų tinkamas tarpas.
- Gaminį transportuojant, rankena visada privalo būti užfiksuota.
- Ant grindų neturi būti palaidų darbo medžiagų, pvz. drožlių ir nuopjovų.
- Kai pjūklas dar įjungtas ir jo galvutė sukasi, iš pjovimo zonos nevalykite ruošinio nuopjovų ar kitų objektų.
- Ilgus ruošinius būtina atitinkamai paremti. Pjūklo darbo sritis apima visą ruošinį. Operatorius turi apsaugoti šią sritį, kad prie jos atsitiktinai neprisiliestų pašaliniai asmenys ar daiktai, kurie gali pajudinti pjaunamą ruošinį.
- Dulksės, kylančios naudojant šį gaminį, gali kelti pavojų sveikatai. Naudokite dulkių ištraukimo sistemą ir dėvėkite tinkamą nuo dulkių apsaugančią veido kaukę. Kruopščiai pašalinkite susikaupusias drožles, pvz. naudojant dulkių siurbį.
- Lazerio nekeiskite kitokios rūšies lazeriu. Bet kokius remonto darbus leidžiama atlikti tik gamintojui arba įgaliotajam priežiūros atstovui.
- Įrankio darbinės aplinkos temperatūros diapazonas nuo 0°C iki 40°C.
- Įrankio sandėliavimo aplinkos temperatūros diapazonas nuo 0°C iki 40°C.
- Rekomenduojamas įkrovimo sistemų darbinės aplinkos





temperatūros diapazonas nuo 10°C iki 38°C.

## LIČIO BATERIJŲ GABENIMAS

Gabenkite bateriją pagal įmonės ir valstybinius reikalavimus ir taisykles.

Gabendama baterijas, trečioji šalis privalo vadovautis ant pakuotės ar etikečių nurodytais specialiaisiais reikalavimais. Pasirūpinkite, kad gabenant baterijos nesusilietų su kitomis baterijomis ar laidžiomis medžiagomis: ant jungiamųjų elementų uždėkite izoliuojančius, nelaidžius apsauginius dangtelius arba šiuos elementus apvyniokite juosta. Negabenkite įtrūkusių ar pratekančių baterijų. Išsamesnio patarimo kreipkitės į gabentojo įmonę.

## PAPILDOMI AKUMULIATORIAUS SAUGOS ĮSPĖJIMAI

### ⚠ ĮSPĖJIMAS

Siekdami išvengti trumpojo jungimo sukeliama gaisro pavojaus, sužalojimų arba produkto pažeidimų, neikiškite įrankio, keičiamo akumuliatoriaus arba įkroviklio į skysčius ir pasirūpinkite, kad į prietaisus arba akumuliatorius nepatektų jokių skysčių. Koroziją sukeliantys arba laidūs skysčiai, pvz., sūrus vanduo, tam tikri chemikalai ir balikliai arba produktai, kurių sudėtyje yra baliklių, gali sukelti trumpąjį jungimą.

- Baterijos darbinės aplinkos temperatūros diapazonas nuo 0°C iki 40°C.
- Baterijos sandėliavimo aplinkos temperatūros diapazonas nuo 0°C iki 20°C.

## SAUGA DIRBANT SU LAZERIU

- Naudojant gali kilti toliau nurodyti pavojai ir naudotojas turi būti ypatingai atsargus, kad išvengtų šių pavojų: Nežiūrėkite tiesiai į lazerio spindulį. Jei nesilaikysite taisyklių, galite rimtai susižaloti.
- Darbo metu nežiūrėkite į spindulį.
- Lazerio spindulio nenukreipkite tiesiai į kitų asmenų akis. Tai gali sunkiai sužeisti akis.
- Lazerio nelaikykite tokioje padėtyje, kad kiti asmenys būtų priversti tyčia ar netyčia žiūrėti į lazerio spindulius.
- Nenaudokite optinių įrankių siekiant žiūrėti į lazerio spindulį.
- Lazerio nenaudokite vaikams esant šalia, taip pat neleiskite vaikams juo naudotis.
- Nebandykite remontuoti lazerio įtaiso patys.
- Nebandykite patys pakeisti jokių lazerio detalių.
- Bet kokius remonto darbus gali atlikti tik lazerio gamintojas ar įgaliotas techninės priežiūros atstovas.
- Lazerio nekeiskite kitokios rūšies lazeriu.

## ŠALUTINIS PAVOJUS

Net naudojant gaminį griežtai pagal paskirtį neįmanoma visiškai atmesti kai kurių liktinių rizikos veiksnių. Naudojant gali kilti toliau nurodyti pavojai ir naudotojas turi būti ypatingai atsargus, kad išvengtų šių pavojų:

- Pavojus prisiliesti prie neuždengtų sukamosios pjūklo geležtės dalių.
- Atatranka nuo ruošinio bei jo dalių dėl netinkamo darbo su prietaisu.
- Švedžiamos karbido dalelės nuo pjovimo disko.
- Žala kvėpavimo sistemai.  
**PASTABA:** Dėvėkite kvėpavimo sistemos apsaugines kaukes su atitinkamais filtrais, nepraleidžiančiais nuo pjaunamų medžiagų atsiskiriančių dalelių Darbo vieta turi būti tinkamai vėdinama. Darbo vietoje negalima valgyti, gerti ar rūkyti.
- Jei nedėvima tinkama ausų apsauga – pakenkimas klausai.

### ⚠ ĮSPĖJIMAS

Tam tikrų dažų, gruntų ir medžiagų dulkės gali dirginti ar sukelti alergines kvėpavimo sistemos reakcijas. Ažuolo, beržo, medienos plaušų plokščių ir kitos dulės kancerogeninės. Medžiagas, kurių sudėtyje yra asbesto, gali pjauti ar apdirbti tik kvalifikuoti specialistai.

### ⚠ ĮSPĖJIMAS

Ilgai naudojant įrankį, galima susižaloti arba pakenkti sveikatai. Ilgiau naudojant įrankius, reikia reguliariai daryti pertraukas.

## GERAI IŠMANYKITE APIE GAMINĮ

*Žiūrėti 215 psl.*

1. Rankena, izoliuotu paviršiumi
2. Power switch
3. Saugos stabdiklio rankena
4. Viršutinis apsauginis gaubtas
5. Pjūklo geležtė
6. Apatinis apsauginis gaubtas
7. Pagrindinis aptvėrimas
8. Diskas
9. Atraminė dalis
10. Stalo įdėklas
11. Disko fiksavimo rankena
12. Pusiausvyros kojos
13. Apsauga nuo apvirtimo
14. Lazerio jungiklis
15. Viršutinė rankena izoliuotu paviršiumi
16. Jungė
17. Gembės stabdiklis
18. Nuožulnumo kampo fiksavimo svirtis
19. Veržtuvas (gnybtas)
20. Slankusis aptvėrimas
21. Montavimo anga
22. Pailginimo strypas
23. Pagrindinės pertvaros užfiksavimo varžtai
24. Ašies užrakinimo mygtukas
25. Baterijos paketas
26. Dulkių maišelis
27. Pjovimo gylio reguliavimo galvelė
28. Maksimalaus pjovimo gylio stabdiklis
29. Linijiško strypo stabdiklio galvelė
30. Varžtai kampinio kampo ribotuvo stabdikliui

sureguliuoti  
31. Šešiakampis veržliaraktis

## VEIKIMAS

Gaminyje įtaisyta judanti pjūklo geležtė, kurią operatorius, pjaudamas prie gaminio pagrindo gerai pritvirtintą ruošinį, gali nustatyti įvairiais kampais. Juo dirbti turi tik vienas žmogus, kad niekas netyčia neprisiliestų prie judančios pjūklo geležtės.

Saugaus šio gaminio naudojimo principai yra tokie:

- Pjūklas, geležtės ir darbo vieta visada turi būti geros būklės.
- Nuožambaus pjūklo pagrindas tvirtinamas prie tvirto darbatalio. Netinkamai pritvirtintas gaminys gali pajudėti ir apvirsti.
- Prieš pradėdami pjauti, nustatykite ir užfiksuokite pjovimo kampus ir gylį.
- Pritvirtinkite ruošinį prie nuožambaus pjūklo pagrindo. Naudokite komplekte pridėtą veržtuvą (gnybtą) ir, jei reikia, papildomus veržtuvus (gnybtus) ar laikiklius, kad pjaunant ruošinys netyčia nepajudėtų.
  - Patikrinkite, ar ruošinio padėtis netrukdo geležtės apsauginių įtaisų veikimui.
  - Reikia pasirūpinti, kad geležtei nusileidžiant į pjovimo padėtį, ji neįpjautų aptverimo ir kitų gaminio dalių.
- Paleiskite variklį ir leiskite geležtei išvystyti maksimalų greitį: tik tada lėtai ją leiskite žemyn, kad pjautų ruošinį. Atitinkamai atitraukite disko bloką atgal, kad baigtumėte pjūvį.
- Geležtės sistema turi pakilti į viršutinę padėtį geležtės apsauginiams įtaisams esant visiškai uždarytiems. Prieš nuimant ruošinį ar nuopjovas, arba ištiesiant rankas prie geležtės, reikia išjungti variklį ir palaukti, kol geležtė visiškai sustos.

Prieš gaminį naudojant pirmą kartą, reikia patikrinti, ar gaminio kampainio arba nuožambio sistemos kampas atitinka kampą, kuriuo ketinama pjauti ruošinį. Patikrinkite tai naudodami brokuotą medienos atraižą staliaus įrankiais arba nuožambio kampainiu.

## ⚠ ĮSPĖJIMAS

Gamintojas primygtinai rekomenduoja tvirtai tvirtinti gaminį prie darbatalio paviršiaus.

Įrenginio pagrindą tvirtai priveržus prie darbatalio keturiomis veržlėmis, varžtais ir poveržlėmis, kaip nurodyta, įrenginį galima drąsiai naudoti pasirenkant maksimalias įstrižųjų ir nuožambiųjų kampų nuostatas, nesibaiminant, kad įrenginys apvirs. Jeigu gaminys negerai pritvirtintas, nustačius didelius kampainio kampus, jis gali netekti pusiausvyros ir apvirsti.

Nuožambaus pjūklo pagrindo priekyje yra išsitiesiantis strypas, kurį reikia ištraukti visu ilgiu. Tai padeda apsaugoti nuožambių pjūklą nuo pusiausvyros netekimo.

Taip pat yra reguliuojamas sraigtas (balansinė kojelė), kuri tęsiasi nuo paigginamo sukamojo disko apačios. Šį sraigta reikia sureguliuoti taip, kad jis liestųsi prie plokščio paviršiaus, į kurį remiasi gaminys. Tai taip pat apsaugo

gaminį nuo pusiausvyros netekimo pjaunant visu šliaužiklio ar kampainio mastu. Būkite atsargūs, parenkant įvairius nuožambio kampus, ši pjūklo stalo dalis juda, todėl varžtą reikia dažnai reguliuoti ir vėl įsukti.

## PRIEŽIŪRA

- Gaminio negalima modifikuoti arba naudoti gamintojo nepatvirtintus priedus. Gali kilti pavojus jūsų bei kitų asmenų saugai.
- Gaminio negalima naudoti, jeigu netinkamai veikia jungikliai, apsauginiai įtaisai ar kitos dalys. Nugabenkite į įgaliotą techninio aptarnavimo centrą, kad sutaisytų ar sureguliuotų specialistai.
- Negalima atlikti jokių reguliavimo veiksmų, kol pjūklo geležtė juda.
- Prieš atlikdami reguliavimo, tepimo arba gaminio techninės priežiūros darbus, visada įsitikinkite, ar akumulatoriaus blokas yra išimtas iš gaminio.
- Kiekvieną kartą prieš gaminį naudojant ir jį panaudojus reikia patikrinti, ar nėra pažeistų ar sugedusių dalių. Turi būti būti palaikoma geriausia gaminio darbo būklė; netinkamas dalis reikia nedelsiant pakeisti gamintojo patvirtintomis atsarginėmis dalimis.
- Peilis turi aštrias briaunas, be to, po pjovimo jis gali būti įkaitęs. Būkite itin atsargūs, valydamai neapsaugotą peilį. Dėvėkite pirštines, kad apsisaugotumėte nuo susižalojimo.
- Reguliariai valykite dulkes nuo pjūklo ir jo priedų, ypač nuo judamųjų dalių, įskaitant disko apsauginį gaubtą. Dulkes efektyviai pašalinti naudokite rankinį šepetį arba dulkių siurbį. Nenaudokite suslėgto oro.
- Siekiant užtikrinti saugą ir patikimumą, visi remonto darbai, įskaitant šepelių keitimą, turi būti atliekami įgaliotame techninio aptarnavimo centre.

## ⚠ ĮSPĖJIMAS

Nebandykite ardyti disko apsauginio gaubto bloko, norėdami jį išvalyti arba suremontuoti. Negalima naudoti pažeistų apsauginių gaubtų. Gražinkite į įgaliotą techninės priežiūros centrą, kad jis būtų suremontuotas arba pakeistas nauju.

## ⚠ ĮSPĖJIMAS

Kad būtų saugiau ir patikimiau, visus remonto darbus turi atlikti įgaliotasis techninio aptarnavimo centras.

## Nuožambiųjų ir įstrižųjų kampų nustatymas

Jei reikia nustatyti nuožambių ir įstrižųjų kampą, žr. 236–242 puslapius ir vadovaukitės nurodymais, kaip nustatyti.

## Maksimalaus pjovimo gylio stabdiklis

Maksimalaus pjovimo gylio stabdiklis skirtas apsaugoti pjūklo geležtę, kad neįpjautų į įrenginio metalinį pagrindą.

## ⚠ ĮSPĖJIMAS

Maksimalaus pjovimo gylio stabdiklio vartotojas negali reguliuoti. Maksimalaus pjovimo gylio stabdiklio nereikia reguliuoti.

## GABENIMAS IR LAIKYMAS

- Jei gaminio nenaudosite, išimkite iš jo akumulatoriaus bloką. Laikykite gaminį saugioje, vaikams nepasiekiamoje vietoje.
- Prieš padedant laikyti, gaminį reikia išvalyti šepėčiu arba dulkių siurbliu.
- Nuimant pjūklą geležtę arba laikant atsargines dalis įrenginyje, siekiant išvengti sužeidimų, reikia pasirūpinti, kad šios dalys būtų originalioje pakuotėje.

## Norint pritvirtinti gaminį prieš pajudant:

- Gaminį reikia laikyti nuožambį ir kampainį nustačius nulinio lygio kampū ir užspaudus stabdiklius. Šliaužiklis turi būti užblokuotas. Rankeną reikia užfiksuoti apatinėje (saugioje) padėtyje apsauginiams įtaisams esant uždarytiems.
- Galima nuimti vieną arba abi ilginamųjų strypų puses, kad būtų lengviau nešti.

## Perkeliant ar gabenant transporto priemone:

- Vadovaudamiesi vadove pateiktomis instrukcijomis, pritvirtinkite gaminį prieš jį paleisdami.
- gaminį reikia nuimti nuo darbastalio, kampuose atsukant 4 varžtus. Išsaugokite varžtus, kad galėtumėte juos panaudoti ateityje. Gaminį reikia kelti suėmus už viršutinėje dalyje esančios rankenos.
- Keliant aukštyn, gaminio pagrindą turi kelti du asmenys, dėvintys tvirtas pirštines.
- Gabenant transporto priemonėje, gaminį reikia padėti ant pagrindo ir pritvirtinti, kad nejudėtų.

## APLINKOS APSAUGA



Žaliavines medžiagas perdirbkite pakartotinai, o ne išmeskite kaip atliekas. Mechanizmas, priedai ir pakuotės turi būti laikomi pakartotinai perdirbti aplinkai nekenksmingu būdu.

## SIMBOLIAI ANT ĮRENGINIO



Saugos perspėjimas



CE atitiktis



„EurAsian“ atitikties ženklas



Ukrainos atitikties ženklas



Atidžiai perskaitykite instrukcijas prieš pradėdami naudoti mechanizmą.



Dėvėkite klausos apsaugos priemones



Visada dėvėkite akių apsaugos priemones.



Rankas laikykite toliau nuo pjovimo zonos ir geležtės.



Nenaudoti lyjant ar drėgnose vietose.



Mūvėkite apsaugines pirštines



Disko sukimosi kryptis (nurodyta ant pjovimo disko)



Geležtės sukimosi kryptis (parodyta ant geležtės apsauginio įtaiso)



Disko pjovimo plotis (prapjova)



Šio pjovimo disko dantukų skaičius



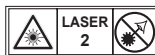
Pjovimo talpa



Medienai ir analogiškomis medžiagoms pjauti



Neskirtas metalams pjauti



Lazerio spindulio radiacija. Nežiūrėkite tiesiai į spindulį. 2 klasės lazerio gaminys



Elektrinių produktų atliekos neturi būti metamos kartu su namų ūkio atliekomis. Prašome perdirbkite jas ten, kur yra tokios perdirbimo bazės. Dėl perdirbimo patarimo kreipkitės į savo vietinę savivaldybę ar pardavėją.

## SIMBOLIAI VADOVE



Blokėtąjs



Atrakinti



Blokavimo mechanizmas neveikia



Detalės arba priedai yra parduodami atskirai



Pastaba



Įspėjimas

Šie signaliniai žodžiai yra skirti nurodyti su prietaiso naudojimu susijusio pavojaus lygį.

### PAVOJUS

Rodo grėšiančią pavojingą situaciją, kurios neišvengus galima patirti mirtiną arba sunkų sužalojimą.

### ĮSPĖJIMAS

Rodo potencialiai pavojingą situaciją, kurios neišvengus galima patirti mirtiną arba sunkų sužalojimą.

### ATSARGIAI

Rodo potencialiai pavojingą situaciją, kurios neišvengus galima patirti nesunkų arba vidutinio sunkumo sužalojimą.

### **ATSARGIAI**

(Be įspėjamojo šauktuko) Reiškia situaciją, kurioje galima sugadinti turtą.



Pendelsae juures on peetud esmatahtsaks ohutust, töövõimet ja töökindlust.

## OTSTARBEKOHANE KASUTAMINE

Pikiliikumisega kaldlõikesaag on ette nähtud täispuidu ja liimitud puitmaterjalide ning puidusarnaste materjalide saagimiseks; saetav puit võib olla kaetud vineeri või plastidega.

Toodet tohivad kasutada täiskasvanud isikud, kes on lugenud läbi kasutusjuhendi ning mõistavad tööriista kasutamiseiga seotud riske ja ohte.

Toode tuleb kinnitada tööpingi külge. Kui alus ei ole kindlalt fikseeritud, võib masin liikumise ajal liikuma hakata ja põhjustada sellega raske kehavigastuse.

Toode sobib kald- ja eeringlõigete tegemiseks. Erinevate lõigete andmed on toodud kasutusjuhendis toote tehniliste andmete all.

Puurpinkki tohib kasutada kuivas, hästi valgustatud ja pisava ventilatsiooniga töökohas.

Seade on ette nähtud erakasutajale ja seda tuleb kasutada vaid eespool kirjeldatud otstarveteks ning seda ei tohi kasutada mingiks muuks otstarbeks.

## ÜLDISED OHUTUSREEGLID

### ⚠ HOIATUS

Lugege läbi kõik mehaanilise tööriista kohta esitatud ohuhoiatused ning tutvuge tööriista jooniste ja tehniliste andmetega. Allpool esitatud hoiatuste ja juhiste eiramise puhul on oht saada elektrilööki või raskeid kehavigastusi ning/või tekitada tulekahju.

Hoidke kõik hoiatused ja juhised edaspidiseks juhindumiseks alles. Hoiatuses kasutatav termin "mootortööriist" viitab võrgutoitega (juhtmega) tööriistale või akuga (juhtmata) tööriistale.

## TÖÖKOHA OHUTUS

- Hoidke töökoht puhas ja hästi valgustatud. Korrastamata ja pimedas kohas töötamisel võivad juhtuda õnnetused.
- Ärge kasutage suruõhutööriista plahvatusohtlikes keskkondades, näiteks kergestisüttivate vedelike ja gaaside läheduses ega tolmu kohas. Elektritööriistad tekitavad sademeid, mis võivad tolmu või auru süüdata.
- Elektritööriistaga töötamisel hoidke lapsed ja kõrvalised isikud eemal. Tähelepanu hajumise korral võib teil kontroll kaduda.

## ELEKTRIOHUTUS

- Elektritööriistade pistikud peavad pistikupesasa sobima. Ärge püüdke pistiku konstruktsiooni mingil moel muuta. Ärge ühendage maanduskontaktiga (kordusmaandusega) elektritööriista elektrivõrku läbi vahepistmike. Pistiku ja pistikupesasa konstruktsiooni muutmise korral tekib elektrilöögi oht.
- Töötamisel hoiduge kehalisest kontaktist maandatud pindadega, näiteks torude, radiaatorite,

elektripliitide ja külmikutega. Kehasaade maandamisel suureneb elektrilöögi saamise oht.

- Ärge jätke tööriistu vihma kätte ega niiskesse kohta. Vee sattumisel elektrilise tööriista sisemusse suureneb elektrilöögi saamise oht.
- Ärge kasutage toitejuhet nõuetevastaselt. Ärge kasutage toitejuhet tööriista kandmiseks, vedamiseks või pistikupesast väljatõmbamiseks. Hoidke toitejuhe eemale küttekehadest, õlist, teravatest servadest ja liikuvatest osadest. Vigastatud või keerduv toitekaablid suurendavad elektrilöögi ohtu.
- Väljas töötamisel kasutage välistingimustes kasutamiseks sobivaid pikendusjuhtmeid. Välistingimustele sobiva pikendusjuhtme kasutamine vähendab elektrilöögi ohtu.
- Kui elektritööriista kasutamine niisketes oludes on vältimatu, siis kasutage rikkevoolu-kaitselülitiga (RCD) kaitstud vooluvõrku. RCD kasutamine vähendab elektrilöögi ohtu.

## ISIKUKAITSE

- Olge töötamisel tähelepanelik, jägige, mida teete ja kasutage tööriistaga töötamisel tervet mõistust. Ärge kasutage seadet, kui olete väsinud või narkootiliste ainete, alkoholi või ravimite mõju all. Hetkeline tähelepanu hajumine tööriista kasutamise ajal võib põhjustada raske kehavigastuse.
- Kandke isikukaitsevahendeid. Kandke alati silmakaitsevahendeid. Oludele vastavad kaitsevahendid, nagu tolmu mask, libisemist takistavad turvajalatsid, kiiver või kuulmiskaitsemed, vähendavad kehaliis vigastusi.
- Vältige tahtmatut käivitumist. Kontrollige, et lüliti on väljalülitatud asendis, enne kui ühendate toote vooluvõrguga ja/või akuga, võtate toote kätte või kannate seda. Kui elektrilise tööriistade kandmise ajal on sõrm lüliti või sisselülitatud seade lülitatakse elektrivõrku, võib juhtuda õnnetus.
- Enne tööriista sisselülitamist eemaldage sellelt reguleervõti või mutrivõti. Elektritööriista külge jäetud reguleervõti või mutrivõti võivad põhjustada raske kehavigastuse.
- Ärge küünitage end töötamisel liigselt välja. Hoidke end pidevalt jalgedel ja tasakaalus. Siis on teil ootamatu olukorra tekkimisel tööriista üle parem kontroll.
- Kandke tööks sobivat riietust. Ärge kandke lõtvu riideid ega ehteid. Hoidke juukseid ja riided liikuvatest osadest eemal. Lahtised riietusesemed, ehted ja pikad juukseid võivad haakuda liikuvate osade külge.
- Kui on olemas detailid tolmu väljatõmbe- ja kogumivahenditega ühendamiseks, veenduge, et need on ühendatud ja need kasutatakse õigesti. Tolmu kogumine vähendab tolmu saadust seotud ohte.
- Ärge muutuge hooletuks ega ignoreerige tööriista ohutusnõudeid, kui te seadet juba tunnete ja olete seda tihti kasutanud. Hooletus võib põhjustada raskeid vigastusi juba sekundi mürdosa jooksul.

|    |
|----|
| EN |
| FR |
| DE |
| ES |
| IT |
| NL |
| PT |
| DA |
| SV |
| FI |
| RU |
| NO |
| PL |
| CS |
| HU |
| RO |
| LV |
| LT |
| ET |
| HR |
| SK |
| SL |
| BG |
| UK |
| TR |
| EL |





## ELEKTRITÖÖRIISTA KASUTAMINE JA KORRASHOID

- Ärge kasutage töötamisel liigset jõudu. Kasutage tööks sobivat elektritööriista. Õigesti valitud tööriist töötab paremini ja ohutumalt selles võimsuspiirkonnas, millele see on ette nähtud.
- Ärge kasutage elektritööriista, kui lüliti ei lülita seda sisse ja välja. Lülitiga lülitamatu tööriista kasutamine on ohtlik ja see tuleb lasta ära remontida.
- Enne tööriista reguleerimist, tarvikute vahetamist või tööriista hoiustamist ühendage pistik vooluallikast lahti ja/või eemaldage võimalusel tööriista aku. Need ennetavad ohutusmeetmed vähendavad toote ootamatu käivitumise riski.
- Hoidke kasutuses mitteolevaid elektritööriistu lastele kättesaamatus kohas ja ärge lubage elektritööriista mittetundvaid või kasutusjuhendiga mittetutvunud isikuid elektritööriista kasutada. Oskamatu kasutaja käes olev elektritööriist on ohtlik.
- Hooldage elektritööriista ja tarvikuid. Kontrollige liikuvate osade mittesentreeritust ja kinniteid, osade vigastusi ning tehke kindlaks muud seisundid, mis võivad mõjustada elektriseadme tööd. Kui mõni osa on vigastatud, siis laske seade enne kasutamist ära parandada. Halvasti hooldatud tööriistad põhjustavad palju õnnetusi.
- Hoidke lõiketerad teravad ja puhtad. Hästi hooldatud teravate lõikeservadega lõikeriistad kiiluvad kinni väiksema töönaosusega ja neid on lihtsam juhtida.
- Kasutage toodet, tarvikuid ja otsakuid kooskõlas nende juhistega ning võttes arvesse töötingimusi ja teostatavat tööd. Tööoperatsiooniks mitte ettenähtud elektritööriista kasutamine võib tekitada ohtliku olukorra.
- Hoidke käepidemed ja haardepinnad kuivad, puhtad ning õli- ja määrdevabad. Ootamatutes olukordades ei saa libedate käepidemete ja haardepindadega tööriista ohutult käsitseda ega kontrollida.

## AKUGA TÖÖRIISTA KASUTAMINE JA HOOLDUS

- Laadimiseks kasutage ainult tootja poolt kindlaks määratud laadijat. Akule mittesobiva laadija kasutamine võib põhjustada tulekahju.
- Kasutage tööriista üksnes spetsiaalselt selleks ettenähtud akuga. Teiste akude kasutamine võib põhjustada vigastuste ja tulekahju ohtu.
- Sel ajal kui akupakett ei ole kasutusel, hoidke seda eemal metallesemetest nagu kirjaklambrid, mündid, võtmed, naelad, kruvid ja muudest väikestest metallobjektidest, mis võivad akuklemmid lühistada. Akuklemmide lühis võib põhjustada põletusi või tulekahju.
- Ebasobivates tingimustes võib vedelik akust välja tulla; vältige kontakti. Kui puutute kogemata vedelikuga kokku, loputage veega. Kui vedelik satub silma, pöörduge abi saamiseks arsti poole. Akuvedelik võib põhjustada naahärritust või põletusi.
- Ärge kasutage vigast või ümbertehtud akut ega tööriista. Vigased või ümbertehtud akud võivad toimida ettearvamatu, mille tagajärjeks on tulekahju, plahvatus või vigastuste oht.

- Ärge jätke akut või tööriista tule lähedale ega liiga kõrge temperatuuri kätte. Tuli või temperatuur üle 130 °C võib põhjustada plahvatust.
- Järgige kõiki laadimisjuhiseid ning ärge laadige akut ega tööriista väljaspool juhistes määratletud temperatuurivahemikku. Vale laadimine või laadimine väljaspool määratletud temperatuurivahemikku võib akut rikkuja ja suurendada tulekahju ohtu.

## HOOLDUS

- Laske oma elektrilist tööriista hooldada väljaõppinud teenindustöötajal. Remontimisel tohib kasutada ainult originaalvaruosi. See tagab hooldatud seadme elektriohutuse.
- Ärge kunagi remontige vigast akut. Vigast akut tohivad remontida vaid tootja või volitatud hooldustöötajad.

## NURGASAAGIDE OHUTUSJUHISED

- Nurgasaad on mõeldud puidu või sarnase materjali lõikamiseks; saega ei tohi kasutada abrasiivlõikekettaid, et lõigata metallesemid (nt latid, vardad, naastud jt). Abrasiivtolm põhjustab liikuvate osade, nagu alumine kettakaitse, kinnikiilumise. Abrasiivlõikamisel tekivad sädemed põletavad alumist kaitset, soone sisemust ja teisi plastist osi.
- Juhul kui võimalik, kasutage tooriku kinnitamiseks pitskruvi. Toetades lõigatavat detaili käega, peab kätt hoidma vähemalt 100 mm kaugusel saeketta kummaltki poolt. Ärge lõigake saega liiga väikesi tükke, mida ei saa turvaliselt kinnitada ega käega hoida. Saekettale liiga lähedal olev käsi tekitab suurema riski saada vigastada kokkupuutest saekettaga.
- Lõigatav detail ei tohi liikuda ning peab olema kinnitatud või hoitud nii vastu suundlatti kui ka lauda. Ärge lükake detaili vastu saeketast ega teostage lõikamist ilma detaili kinnitamata. Lahtised või liikuvad detailid võivad suure kiirusega lendu paiskuda ja põhjustada vigastusi.
- Lükake saag läbi töödeldava detaili. Ärge tõmmake saagi läbi töödeldava detaili. Lõikamiseks tõstke saepea üles ja tõmmake välja lõigatava detaili kohale ilma seda lõikamata, käivitage mootor, suruge saepea alla ja lükake saag läbi detaili. Tõmmetega lõigates võib saeketas lõigatava detaili peale tõusta ja kogu ketta konstruktsioon võib operaatori poole paiskuda.
- Ärge kunagi pange kätt üle soovitud lõikejoone nii saeketta ees kui ka taga. Väga ohtlik on hoida lõigatavat detaili ristic kätega, st hoida detaili saeketta paremal pool vasaku käega ja vastupidi.
- Kui saeketas pöörleb, ärge pange oma käsi suundlatti taga saekettale lähemale kui 100 mm kummalgi pool, et eemaldada puidujäätmel või mingil muul põhjusel. Te ei pruugi näha, kui kaugel on pöörlev saeketas teie käest ning võite saada tõsiselt vigastada.
- Enne lõikamist kontrollige lõigatav detail üle. Kui lõigatav detail on kaarjas või kõver, kinnitage





see väljapoole kaardus poolega vastu suundlatti. Alati veenduge, et mööda lõikejoont ei oleks vahet lõigatava detaili, suunalati ja laua vahel. Kaardus detailid võivad keerududa või paigast nihkuda ning võivad lõikamise ajal pöörleva saeketta külge kinni jääda. Lõigatavas detailis ei tohi olla naelu ega võõrkehaid.

- **Sae kasutamise ajal tohib laual olla ainult lõigatav detail, mitte aga teised tööriistad, puidujäätmad jne.** Peenike prügi, lahtised puidutükid või muud esemed võivad pöörleva saeketta kokku puutudes suure kiirusega eemale paiskuda.
- **Lõigake detaile ükshaaval.** Mitut kokkupandud detaili ei saa korralikult kinnitada ega toestada ning need võivad lõikamise ajal saeketta külge kinni jääda või paigast nihkuda.
- **Enne sae kasutamist veenduge, et nurgasaag on paigaldatud või asub tasasel ja kindlal tööpinnal.** Tasane ja kindel tööpind vähendab nurgasae ebastabiilsuse muutumise riski.
- **Planeeri oma tööd. Iga kord kald- või eerunglõike nurga muutmisel veenduge, et reguleeritav suundlatti toetab korralikult lõigatavat detaili ning ei takista saeketast ega kaitsesüsteemi.** Ilma tööriista sisse lülitamata (asendisse "ON") ja ilma laual olevate lõigatavate detailideta, tehke saekettaga näiline lõige ning veenduge, et miski ei sega ja puudub oht lõigata suundlatti.
- **Lauast laiemate või pikemate detailide toetamiseks kasutage laua pikendusi, saagimispukki jne.** Nurgasae lauast pikemad või laiemad lõigatavad detailid võivad kalduda, kui need ei ole turvaliselt toetatud. Mahalõigatud tükk või töödeldav detail võib kaldudes alumise kettakaitse üles tõsta või pöörleva saeketta alt eemale paiskuda.
- **Ärge kasutage teist inimest laua pikenduse ega lisatoetuse asemel.** Kui lõigatav detail ei ole piisavalt toetatud, võib lõikamise ajal saeketas kinni kiiluda või detail paigast nihkuda ning tõmmata teid ja abiliist pöörleva ketta vastu.
- **Mahalõigatud osa ei tohi mingil tingimusel suruda vastu pöörlevat saeketast.** Piiratud tingimustes, st kasutades pikkuse piirajaid, võib mahalõigatud osa kalduda vastu saeketast ja suure hooga eemale paiskuda.
- **Ümarate materjalide (nt vardad või torud) korralikult toetamiseks kasutage selleks mõeldud kinnitit või klambrit.** Torud kipuvad lõikamise ajal veerema, mis paneb sae nn "hammustama" ja tõmbab detaili koos käega vastu saeketast.
- **Enne lõigatava detailiga kokkupuutumist laske saekettal saavutada täiskiirus.** See vähendab detaili lendumise ohtu.
- **Kui detail või saeketas kiilub kinni, lülitage saag välja.** Oodake kuni kõik liukuvad osad peatuvad ning ühendage pistik looluallikast lahti ja/või eemaldage aku. Seejärel eemaldage kinnijäänud materjal. Kinnijäänud detailiga saagimist jätkates võib see põhjustada kontrolli kadumist tööriista üle või tekitab nurgasaele kahjustusi.

- **Pärast lõikamise teostamist vabastage lüliti, hoidke saepea all ja oodake, kuni saeketas peatub, enne kui eemaldate mahalõigatud tüki.** Ohtlik on hoida käsi vabakäigul liikuva lõiketera lähedal.

## PUIDU SAEKETTA OHUTUSJUHISED

- Enne saeketta ja toote kasutamist lugege kasutusjuhend ja selles olevad juhised korralikult läbi.
- Elektriline tööriist peab olema heas seisukorras, völli ilma deformatsioonideta ja see ei tohi vibreerida.
- Ärge kasutage toodet, mille kaitsed ei ole omal kohal. Hoidke kaitsed töökorras ja nõuetekohaselt hooldatud olekus.
- Veenduge, et kasutaja on saanud piisava väljaõppe ettevaatusabinõude, toote reguleerimise ja talitluse osas.
- Toodet kasutades kandke alati kaitseprille ja kõrvakaitsmeid. Soovitatakse kanda kaitsekindaid, tugevaid mittelibisevaid jalanõusid ja kaitsepõlle.
- Enne ükskõik millise tarviku kasutamist tutvuge kasutusjuhendi vastavate nõuetega. Tarviku väärkasutamine võib põhjustada kahju ja suurendada võimalike vigastuste ohtu.
- Kasutage ainult kasutusjuhendis ettenähtud saekettaid, mis vastavad standardile EN 847-1.
- Pidage kinni saekettale märgitud maksimaalkiirusest. Veenduge, et saekettal märgitud pöörlemiskiirus on sael märgitud pöörlemiskiirusega vähemalt võrdne.
- Kasutage ainult õiget mõõtu ja õige völliavaga saeketast. Sae kinnitusdetailidega mittesobivad saekettad pöörlevad eksentsilisel ja põhjustavad sellega kontrolli kadumist sae üle.
- Ärge kasutage saekettaid, mille läbimõõt on suurem või väiksem kui soovitatud. Ärge kasutage saeketta sobitamiseks mingeid vaheseibe.
- Kontrollige enne iga kasutuskorda, et saeketta hambad ei oleks kahjustatud ega ebatavalise välimusega. Kahjustatud või lahtised hambatipud võivad tööriista kasutamise ajal lenduda ja suurendada vigastuste ohtu.
- Ärge kasutage pragunenud ega auklikku saeketast. Ärge kasutage saekettaid, mis on vigastatud või deformeerunud.
- Visake kahjustatud, deformeerunud, kõver või mõranenud saeketas ära; selle parandamine on keelatud.
- Ärge kasutage kiirlõiketerasest saekettaid.
- Veenduge, et saeketas on paigaldatud õigesti ja enne kasutamist pingutage völli mutrit (pingutusmoment u 12–15 Nm).
- Kinnituskrude ja -mutrite pingutamisel kasutage sobivat mutrivõtit jne.
- Keelatud on kasutada mutrivõtme pikendust või lüüa haamriga.
- Veenduge, et saekettad ja äärikud on puhtad ja ääriku tugipinnad on vastu saeketta pinda.
- Kontrollige, kas saetera pöörlemissuund on õige.
- Enne töö alustamist tehke lõiget imiteeriv liigutus mootorit käivitamata, et kontrollida lõikeketta asendit

|           |
|-----------|
| EN        |
| FR        |
| DE        |
| ES        |
| IT        |
| NL        |
| PT        |
| DA        |
| SV        |
| FI        |
| RU        |
| NO        |
| PL        |
| CS        |
| HU        |
| RO        |
| LV        |
| LT        |
| <b>ET</b> |
| HR        |
| SL        |
| SK        |
| BG        |
| UK        |
| TR        |
| EL        |



ja kaitsekatte liikumist teiste masinaosade ning tooriku suhtes.

- Ärge kunagi jätkke toodet järelevalveta.
- Ärge kandke töötamise ajal saeketale määrdeaineid.
- Ärge hakake tegema mingeid puhastus- või hooldustöid seni, kui masin pöörleb ja saepea ei ole liikumatus olekus.
- Ärge kunagi püüdke masina pöörlemist järsult peatada saeketta tõkestamisega või muul viisil, sest see võib põhjustada raske õnnetuse.
- Enne saeterade vahetust või hooldustöid lülitage tööriist võrgutoitest välja või eemaldage aku.
- Olge saeketta pakkimisel ja lahtipakkimisel ettevaatlik, sest teravad hambad võivad põhjustada vigastusi.
- Kasutage saeketaste teisaldamisel katet või kandke kindaid.
- Hoidke saeketast originaalpakendis või muus sobivas pakendis, kuivas kohas, kus pole kahjustavaid kemikaale.

### TÄIENDAVAD OHUTUSJUHISED

- Suruge toorik alati ohutult ja kindlalt kinni.
- Veenduge, et masin on alati stabiilne ja ohutu (nt. kinnitatud töölauale).
- Kasutage kuulmiskaitsevahendeid. Tugev müra võib põhjustada kuulmiskaotuse.
- Toodet kasutades kandke alati kaitseprille. Saeketaste ja kareda materjali käsitemisel soovitakse kanda kindaid ja mittelibiseva tallaga töökingi, mis kaitsevad jalgu löikepiirkonnast kukkuvate toorikute eest.
- Enne hooldustöid või toote puhastamist lülitage toode võrgutoitest välja või eemaldage aku.
- Aku paigaldamise ajaks peab toote välja lülitama.
- Ärge küünitage end sae töötamise ajal löikeketta lähedusse enne kui saeketas on lõplikult peatunud.
- Enne kasutamist kontrollige toodet ja akut põhjalikult võimalike kahjustuste või materjali väsimuse suhtes. Tootte remonditöid võib teostada vaid selleks volitatud teeninduses.
- Alati kasutage tootega kaitsmeid. Ärge kasutage toodet, kui kaitsmed ei ole omal kohal ja ei tööta õigesti.
- Alumine terakaitse tohib avaneda ainult siis, kui saeketas langetatakse lõigatavale detailile, ja sellel peab olema alati võimalik vabalt liikuda ning automaatselt sulguda.
- Töötamise ajal kinnitage pikendusvardad ja kasutage neid töödeldata detaili toetamiseks.
- Ärge kunagi muutke toodet ega selle funktsioone. Teie turvalisus võib olla ohustatud.
- Ärge kasutage saekettaid, mis on pragunenud, vigastatud või deformeerunud.
- Ärge kasutage kiirlõiketerasest saekettaid.
- Kasutage ainult teravaid löikekettaid. Asendage nürid löikekettad.
- Kasutage ainult õiget mõõtu ja õige võlliavaga saeketast. Sae kinnitustetailidega mittesobivad saekettad pöörlevad ekstsentriliselt ja põhjustavad

sellega kontrolli kadumist sae üle.

- Kasutage üksnes käesolevas kasutusjuhendis määratletud puidutöödeks mõeldud terasid, mis vastavad standardile EN 847-1.
- Ärge kasutage saeketta kinnitamiseks muid äärkuid, seibe ja mutreid kui neid, mis on komplektis ja mainitud kasutusjuhendis.
- Valida tuleb saeketas, mis sobib lõigatava materjali jaoks. Kasutage toodet vaid nende materjalide lõikamiseks, mis on määratletud käesoleva kasutusjuhendi toote sihipärase kasutuse osas.
- Lõikamise ajal on tähtis vältida saetera ülekuumenemist ja plasti sulamist.
- Tähtis on järgida saeketale märgitud maksimaalset kiirust; kasutage vaid sellist saeketast, mille kiirus on võrdne või suurem kui tööriistale märgitud kiirus.
- Asendage töölaua piluplaat, kui see on kulunud või vigastatud.
- Enne töö alustamist tehke lõiget imiteeriv liigutus mootorit käivitamata, et kontrollida löikeketta asendit ja kaitsekatte liikumist teiste masinaosade ning tooriku suhtes.
- Eerung-, kald- või liitnurgalõikeid sooritades reguleerige juhtpiire või alumine piire nii, et vahe saekettaga oleks õige.
- Toodet transportides peab käepide olema lukustatud.
- Hoidke põrand jäätmetest, nt. saepurust ja jääkidest puhas.
- Hoiduge masina töötamise ajal ja saepea langetatud asendis jääkide ja toorikulõigete eemaldamisest saagimiskiirkonnast.
- Pikkasid toorikuid tuleb nõuetekohaselt toetada. Tööpiirkond sisaldab kogu ala, milles toorikut liigutatakse. Operaator peab seda ala turvama, et kõrvalised isikud või esemed ei satuks seadmega kokkupuutesse ega liigutaks toorikut töötamise ajal.
- Toote kasutamisel tekiv tolm võib olla tervisele kahjulik. Kasutage tolmueraldussüsteemi ja kandke sobivat tolmu maski. Eemaldage kogunenud tolm täielikult, nt tolmuimejaga.
- Ärge varustage seda laserjuhtikut muud tüüpi laseriga. Parandustöid tohivad teha vaid tootja või selleks volitatud hooldusspetsialistid.
- Tööriista ümbritseva keskkonna temperatuur töö ajal jääb vahemikku 0°C–40°C.
- Tööriista ümbritseva keskkonna temperatuur säilituse ajal on vahemikus 0°C–40°C.
- Selle laadimissüsteemi soovitatav ümbritseva keskkonna temperatuur laadimise ajal on vahemikus 10°C–38°C.

### LIITIUMAKUDE TEISALDAMINE

Akude transportimisel juhendage kasutuskohas kehtivatest ja riiklikest määrustest ja eeskirjadest.

Akude transportimisel allettevõtjate poolt järgige kõiki spetsiaalseid pakkimise ja tähistamise nõudeid. Veenduge, et akud ei satu kokkupuutesse teiste akude ega voolu juhtivate materjalidega, transportimise ajal kaitske klemme voolu mittejuhtivate isoleerkatete või teibiga.



Ärge transportige pragunenud või lekkivaid akusid. Küsige lisateavet transportetevõtelt.

## AKU LISAOHUTUSJUHISED

### ⚠ HOIATUS

Lühisest põhjustatud tuleohtu, vigastuste või toote kahjustuste vältimiseks ärge kastke tööriista, vahetusakut ega laadimisseedet vedelikku ning jälgige, et vedelikke ei tungiks seadmetesse ega akusse. Korrodeeruvad või elektrit juhtivad vedelikud, nagu soolvesi, teatud kemikaalid ja pleegitusained või pleegitusaineid sisaldavad tooted, võivad põhjustada lühist.

- Akut ümbritseva keskkonna temperatuur kasutamise ajal on vahemikus 0°C–40°C.
- Akut ümbritseva keskkonna temperatuur ladustamise ajal on vahemikus 0°C–20°C.

## LASERI OHUTUS

- Sael kasutatava laseri kiirgus kuulub klassi 2, mille võimsus on  $\leq 1\text{mW}$  ja lainepikkus 650 nm. Ärge vaadake laserikiirele otse vastu. Kasutusreeglite eiramine võib põhjustada tõsiseid kehavigastusi.
- Ärge vaadake laserikiirele töö ajal otse vastu.
- Ärge suunake laserikiirt kõrvalolijatele silma. See võib põhjustada raskeid silmavigastusi.
- Ärge paigutage seadet asendisse, mille puhul võib laserikiir tahtmatult või tahtlikult kellegi silma tabada.
- Ärge kasutage laserikiire vaatamiseks mingit optilist seadet.
- Ärge kasutage laserjuhikut laste juures ega laske lastel seda kasutada.
- Ärge püüdke laserjuhikut ise parandada.
- Ärge püüdke ise muuta ühegi laserjuhiku osa konstruktsiooni.
- Remonti tohib teha vaid laseri tootja või tema volitatud agent.
- Ärge varustage seda laserjuhikut muud tüüpi laseriga.

## JÄÄKRISKID

Isegi siis, kui seadet kasutatakse kirjeldatud viisil, ei ole võimalik kõrvaldada kõiki jääkriskide mõjureid. Töötamise ajal võivad tekkida järgmised ohud, millele operaator peab pöörama erilist tähelepanu.

- Õnnetuse tekkimise risk, mis on põhjustatud mittekäetud pöörlevast saekettast.
- Toorikute ja toorikutükide tagasilöök, mis on tingitud valedest töövõtetest.
- Saeketta kõvamsulamist hambaotsakute väljapaiskumise.
- Hingamisteede kahjustused.

**MÄRKUS:** Kandke hingamismaski, milles on filter vastavalt lõigatavale materjalile. Tagage töökohal nõuetekohane ventilatsioon. Ärge töökohal sööge, jooge ega suitsetage.

- Kuulmiskahjustused, kui ei kanta nõutava kaitsevõimega kuulmiskaitset.

### ⚠ HOIATUS

Mõnede värvide tolm, pinnakatted ja materjalid võivad põhjustada hingamisteede ärritust või allergilisi reaktsioone. Tamme- ja kasepuu, MDF-i ja mõnede muude materjalide tolm on kantserogeenne. Asbesti sisaldavaid materjale tohivad lõigata vastava väljaõppega erioperaatorid.

### ⚠ HOIATUS

Seadme pikaajalisel kasutamisel võite saada kehavigastusi või vigastused võivad süveneda. Seadme kasutamisel pika aja jooksul tuleb teha korralisi vaheaegasid.

## ÕPPIGE OMA TOODET TUNDMA

Vt lk 215.

1. Isoleeritud haardepinnaga käepide
2. Toitelüliti
3. Turvaluku käepide
4. Ülemine kaitse
5. Saeleht
6. Alumine kaitse
7. Põhipire
8. Pöördlaud
9. Alusplaat
10. Töölaua piluplaat
11. Pöördlaua lukustuspid
12. Tasakaalustav jalg
13. Tugi ümbermineku vältimiseks
14. Laserüliti
15. Isoleeritud haardepinnaga ülemine käepide
16. Flans
17. Piiraja
18. Kaldnurga lukustushoob
19. Kinniti
20. Tugipiiraja
21. Kinnitusava
22. Pikendusvarb
23. Peajuhiku lukustuskruid
24. Spindli lukustusnupp
25. Aku
26. Tolmukott
27. Saagimissügavuse reguleernupp
28. Maksimaalse lõikesügavuse piiraja
29. Varda piiraja nupp
30. Püstnurga piiraja reguleerimiskruvid
31. Kuuskantvõti

## KASUTAMINE

Võimaldab liigutada saeketast, mis on seatud operaatori poolt erinevate nurkade alla seadme alusele ohutult kinnitatud tooriku saagimisel. Seadmega tohib korraga töötada vaid üks inimene, et vältida tahtmatut kokkupuudet liikuva saekettaga.

Seadme ohutu kasutamise põhimõtted on järgmised.



- Hoidke saagi, saekettaid ja töökoht heas korras.
- Kinnitage kaldlöikesae alus tugevale tööpingile. Kui toorik ei ole piisavalt tugevasti kohale surutud, siis võib seade ümber kukkuda.
- Enne lõikamise alustamist reguleerige välja kaldenurgad ja löikesügavus ning lukustage asendid.
- Suruge toorik vastu kaldsae alust. Kasutage komplektis olevat pitskruvi, vajaduse korral kasutage lisakinnitit või hoidemehhanismi, et vältida tooriku ootamatut liikumahakkamist.
  - Kontrollige, et löikeketta katted pole tõkestatud tooriku asendi tõttu.
  - Tagage töökohal nõuetekohane ventilatsioon. Tagage, et piiraja ja muud seadme osad ei satu saeketta langetamisel löikeetele.
- Käivitage mootor ja laske löikekettal saavutada täiskiirus, enne kui langetate selle tooriku lõikamiseks. Libistage saeketas tahapoole ja lõpetage lõige.
- Laske löikesõlmel tõusta oma kõige kõrgemasse asendisse, kus kaitsekatted on suletud. Lülitage mootor välja ja laske saekettal täielikult peatuda, enne kui hakkate toorikut või jäätmeid eemaldama või enne kui lähenete saekettale.

Enne esmakordset kasutamist veenduge, et kaldenurk või kalde seadistus vastab tooriku kaldenurgale. Kontrollige seda mõnel puidutükil puussepa mõõtekomplektiga või mõõtenurgikuga.

#### ⚠ HOIATUS

Tootja soovib rangelt, et seade oleks alati turvaliselt töölauale kinnitatud.

Kui toote alus on vastavalt juhendile nelja mutri, poldi ja seibi abil tugevasti tööpingile kinnitatud, võib toodet kasutada kald- ja eerunglõigete tegemiseks maksimaalse nurga all, ilma et see ümber kukuks. Kui seade ei ole nõuetekohaselt kinnitatud, võib see tasakaaluolekust väljuda kui hakkate lõikama suure nurgaga kaldlõiget.

Kaldlöikesae esiosas on pikendusvarras, mis tuleb välja tõmmata maksimaalselt kaugele. See aitab vältida sae tasakaalu kaotust.

Seal on ka reguleeripolt (reguleeritav jalg), mis ulatub välja pikendatava pöördlaua põhjalt. See polt tuleb nii välja reguleerida, et see puudutaks tasast pinda, millele seade toetub. See väldib ka seadme tasakaalu kaotamise kui lõigatakse pikiliikumise piirasendis või püstkalde all. Olge ettevaatlik, sest saelaud liigub, kui valitakse erinevaid nurki, seega krui vii vaja sagedasti reguleerida ja seadistada.

#### HOOLDUS

- Ärge püüdke seadme konstruktsiooni mingil viisil muuta ega kasutage varuosi või tarvikuid, mis pole tootja poolt soovitatud. Teie ja kõrvalolijate turvalisus võib olla ohustatud.
- Ärge kasutage seadet kuni mõni lüüti, kaitsekate või funktsioon ei tööta nagu ette nähtud. Andke need volitatud hoolduskeskusesse remondiks või reguleerimiseks.

- Ärge tehke mingeid reguleertoiminguid sel ajal, kui löikeketas pöörleb.
- Enne toote reguleerimist, määrimist või hooldustööde tegemist veenduge, et aku on tootest eemaldatud.
- Kontrollige seade enne ja pärast kasutamist vigastuste ning purunenud osade suhtes üle. Hoidke seadet heas töökorras, selleks asendage osad nende varuosadega, mis on tootja poolt heaks kiidetud.
- Lõiketera servad on teravad ja võivad pärast hõõveldamist olla kuumad. Olge äärmiselt ettevaatlik, kui puhastate avatud lõiketera. Vigastuste vältimiseks kandke kindaid.
- Puhastage saagi ja selle tarvikuid, eriti liikuvaid osi (k.a terakaitset), regulaarselt tolmust. Tolmu efektiivseks eemaldamiseks kasutage käsiharja või tolmuimeajat. Ärge kasutage suruõhku.
- Kõik remonttööd, kaasa arvatud mootori kontaktharjade vahetamine, tuleb lasta teha volitatud hoolduskeskuses, et tagada masina ohutus ja töövoime.

#### ⚠ HOIATUS

Ärge proovige terakaitset lahti võtta, et seda puhastada või parandada. Kahjustatud kaitsemeid ei tohi kasutada. Parandamiseks või asendamiseks pöörduge volitatud teenindusse.

#### ⚠ HOIATUS

Kõik remonttööd tuleb lasta teha volitatud hoolduskeskuses, et tagada masina ohutus ja töövoime.

#### Nurga ja kaldenurga kalibreerimine

Vaadake vajadusel nurga ja kaldenurga kalibreerimist lk 236 – 242 ja järgige kalibreerimisjuhiseid.

#### Maksimaalse löikesügavuse piiraja

Maksimaalse löikesügavuse piiraja väldib saeketta lõikumist seadme metallist alusplaadi sisse.

#### ⚠ HOIATUS

Maksimaalse löikesügavuse piiraja ei ole kasutaja poolt reguleeritav. Ärge püüdke reguleerida maksimaalse löikesügavuse piirajat.

#### TRANSPORTIMINE JA HOIUSTAMINE

- Toote hoiustamisel eemaldage aku. Hoidke seadet kaitstud kohas, mis on lastele juurdepääsmatu.
- Enne hoiustamist puhastage seade harja või tolmuimeajaga.
- Kui saeketta eemaldate või varuosi hoiustate, siis hoidke neid originaalpakendis, et kehavigastusi vältida.

#### Enne teisaldamist kinnitage seade järgmisel viisil.

- Hoiustamiseks peab kaldenurk ja püstkalle olema seatud nullile ja lukustatud. Pikiliikumine peab olema tõkestatud. Käepide peab olema lukustatud



madalaimasse (ohutusse) asendisse ja kaitsekatted peavad olema suletud.

- Kandmise hõlbustamiseks võib kas ühe või mõlema poole pikendusvarda eemaldada.

#### Teisaldamisel või transportimisel tehke järgmist.

- Kinnitage seade liikumise vastu nagu kirjeldatud kasutusjuhendis.
- Eemaldage seade tööpingilt 4 poldi lahtikeeramise, igas nurgas üks. Hoidke poldid alles edasiseks kasutuseks. Tõstke seadet ülaosas olevast käepidemest.
- Kõrgemale tõstmiseks on vaja kahte inimest, kes kannavad tugevaid töökindaid.
- Sõidukil transportimisel seadke see oma alusele ja kinnitage liikumahakkamise vastu.

#### KESKKONNAKAITSE



Taaskasutage materjale nende jäätmekäitlusse andmise asemel. Masin, selle liseseadmed ja pakend tuleb jäätmekäitluseks keskkonnanäoalikul sorteerida.

#### MASINAL OLEVAD SÜMBOLID



Ohuhoiatus



CE-vastavus



Euraasia vastavusmärk



Ukraina vastavusmärgis



Enne seadme kasutamist lugege palun kasutusjuhend hoolikalt läbi.



Kandke kuulmise kaitsevahendeid



Kandke alati silmakaitsevahendeid.



Hoidke käed saagimispiirkonnast ja saekettast eemal.



Ärge jätke vihma kätte või kasutage niisketes kohtades.



Kandke turvakindaid



Saeketta pöörlemissuund (kettal näidatud)



Lõikeketta pöörlemissuund (näidatud lõikeketta kaitisel)



Lõikelaius (sisselõige)



Saeketta hammaste arv



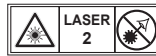
Lõikesügavus:



Puidu ja sellega sarnaste materjalide lõikamiseks



Mitte metalli lõikamiseks



Laserkiirgus.  
Ärge vaadake laserikiirele otse vastu.



2. klassi laserseade  
Mittekasutatavaid elektritooteid ei tohi visata olmejäätmete hulka. Vaid tuleb viia vastavasse kogumispunkti. Vajadusel küsige sellekohast nõu oma edasimüüjalt või vastavalt kohaliku omavalitsuse institutsioonilt.

#### KASUTUSJUHENDIS KASUTATUD SÜMBOLID



Lukk



Lahtikeeramine



Lukustussüsteem ei tööta



Eraldi ostetavad osad või tarvikud



Märkus



Hoiatus

Järgnevad märguandesõnad ja tähendused on mõeldud selle toote kasutamisega seotud riskitasemetega

kirjeldamiseks.

 **OHT.**

Osutab ähvardavale ohuolukorrale, mille mittevältimine lõpeb surma või tõsise vigastusega.

 **HOIATUS**

Osutab võimalikule ohuolukorrale, mille mittevältimine võib lõppeda surma või tõsise kehavigastusega.

 **ETTEVAATUST**

Osutab võimalikule ohuolukorrale, mille mittevältimine võib lõppeda väiksemate või mõõdukate kehavigastustega.

**ETTEVAATUST**

(Ilma ohutussümbolita) Viitab olukorrale, mis võib põhjustada kahjustusi varale.



U dizajnu vaše potezno nagibne pile vodeću ulogu imaju sigurnost, performanse i pouzdanost.

## NAMJENA

Potezno nagibna pila namijenjena je piljenju punog i prešanog drva, materijala sličnih drvu, s lijepljenim furnirom i plastikom ili bez njih.

Proizvod smiju upotrebljavati samo punoljetne osobe koje su pročitale upute za korištenje i razumjele moguće rizike i opasnosti.

Proizvod je konstruiran tako da se postolje stroja mora učvrstiti za stabilnu radnu površinu. Ako postolje nije čvrsto pričvršćeno, cijeli uređaj se može pomakati tijekom postupka rezanja, što povećava mogućnost osbiljnih osobnih ozljeda.

Proizvod je konstruiran za izradu kosih i kutnih rezova. Kapaciteti za različite rezove navedeni su u specifikacijama proizvoda u ovom priručniku.

Proizvod se mora koristiti u suhim uvjetima, pod izvrsnim osvjetljenjem i uz odgovarajuću ventilaciju.

Proizvod je namijenjen za korištenje i treba se koristiti samo kao što je gore opisano i nije namijenjeno za bilo koju drugu svrhu.

## OPĆA SIGURNOSNA PRAVILA ZA KORIŠTENJE AKU ALATA

### ⚠ UPOZORENJE

**Pažljivo pročitajte sva upozorenja, upute i specifikacije priložene uz alat i pogledajte crteže.** Nepoštivanje svih uputa može dovesti do električnog udara, požara i / ili teške ozljede.

**Spremite sva upozorenja i upute za buduće korištenje.** Pojam „električni alat“ u upozorenjima odnosi se na vaš električni alat (žični) napajan iz električne mreže ili električni alat na baterije (bežični).

## SIGURNOST RADNOG PODRUČJA

- **Držite radni prostor čistim i dobro osvijetljenim.** Zatrpani i neosvijetljeni radni prostori izazivaju nezgode.
- **Nemojte rukovati električnim alatima u eksplozivnim atmosferama poput onih u kojima su prisutne zapaljive tekućine, plinovi ili prašina.** Električni alati stvaraju iskre koje mogu zapaliti prašinu ili pare.
- **Tijekom rada s električnim alatom držite podalje djecu i promatrače.** Ometanje može dovesti do toga da izgubite kontrolu.

## ELEKTRIČNA SIGURNOST

- **Utikači električnog alata moraju odgovarati utičnici.** Nikada nemojte modificirati utikače ni na koji način. Nemojte koristiti nikakve adapter utikače s uzemljenim električnim alatima. Originalni utikači i odgovarajuće utičnice smanjuju opasnost od strujnog udara.
- **Izbjegavajte kontakt tijela s uzemljenim površinama poput cijevi, radijatora, štednjaka i hladnjaka.** Ako je vaše tijelo uzemljeno, povećava se opasnost od

strujnog udara.

- **Nemojte izlagati električne alate kiši ili vlažnim uvjetima.** Ulazak vode u električni alat povećava opasnost od strujnog udara.
- **Nemojte zlorabiti kabel.** Nikada nemojte koristiti kabel za nošenje, povlačenje ili isključivanje električnog alata. Držite kabel podalje od topline, ulja, oštih rubova ili rotirajućih dijelova. Oštećeni ili zapleteni kabeli povećavaju opasnost od strujnog udara.
- **Kada radite s električnim alatom na otvorenom, koristite produžni kabel prikladan za rad na otvorenom.** Korištenje kabela prikladnog za rad na otvorenom smanjuje opasnost od strujnog udara.
- **Ako se ne može izbjeći rad s električnim alatima u vlažnoj lokaciji koristite FID sklopku (RCD uređaj) za zaštitu napajanja.** Korištenje RCD uređaja smanjuje opasnost od električnog udara.

## OSOBNA SIGURNOST

- **Budite na oprezu, gledajte to što radite i pri radu s alatom koristite zdrav razum.** Nemojte koristiti alat kad ste umorni ili pod utjecajem droge, alkohola ili lijekova. Trenutak nepažnje pri radu s električnim alatima može dovesti do teških osobnih ozljeda.
- **Nosite osobnu zaštitnu opremu. Uvijek nosite zaštitna sredstva za oči.** Zaštitna oprema poput maske za zaštitu od prašine, protukliznih sigurnosnih cipela, kacige, ili opreme za zaštitu sluha korištena u odgovarajućim uvjetima smanjit će tjelesne ozljede.
- **Izbjegavajte slučajno pokretanje.** Prije priključivanja na izvor napajanja i/ili bateriju, podizanja ili prenošenja proizvoda, uvijek provjerite je li prekidač za paljenje u isključenom položaju. Prenošnje električnih alata s prstom na prekidaču za paljenje proizvoda ili stavljanje pod napon električnih alata koji imaju upaljen prekidač za paljenje priziva nesreće.
- **Prije uključivanja električnog alata uklonite sve klinove za podešavanje i ključeve.** Ključ ili klin ostavljen priključen na rotirajućem dijelu električnog alata može dovesti do osobne ozljede.
- **Nemojte se naginjati preko rubova.** Cijelo vrijeme držite pravilno uporište i ravnotežu. Ovo u neočekivanim situacijama omogućuje bolju kontrolu nad električnim alatom.
- **Pravilno se odjenite.** Nemojte nositi široku odjeću ili nakit. Svoju kosu i odjeću držite podalje od dijelova u pokretu. Široka odjeća, nakit ili dugačka kosa mogu biti zahvaćeni u pokretne dijelove.
- **Ako su uređaji opremljeni priključkom na objekte za odvajanje i prikupljanje prašine, uvjerite se da su priključeni i pravilno korišteni.** Korištenje sustava za hvatanje prašine može smanjiti opasnosti povezane s prašinom.
- **Nemojte dopustiti da vas poznavanje alata zbog česte uporabe opusti toliko da zanemarite sigurnosne principe rukovanja alatom.** Nepažljivo postupanje može prouzročiti teške ozljede u djeliću sekunde.





## KORIŠTENJE I BRIGA O ELEKTRIČNOM ALATU

- **Nemojte alat koristiti iznad njegovih mogućnosti.** Za vašu primjenu koristite točan uređaj. Uređaj će bolje i sigurnije raditi na brzini za koju je konstruiran.
- **Nemojte koristiti električni alat ako ga sklopka pravilno ne uključuje i isključuje.** Svaki električni alat koje se ne može kontrolirati pomoću sklopke je opasan i mora se popraviti.
- **Izvucite utikač iz izvora električnog napajanja i/ili uklonite baterijski sklop, ako je odvojiv, prije izvršavanja bilo kakvih prilagodbi ili skladištenja električnih alata.** Takve preventivne sigurnosne mjere smanjuju rizik od slučajnog pokretanja proizvoda.
- **Električne alate pohranite u stanju mirovanja izvan dohvata djece i ne dopustite rad s električnim alatom osobama koje nisu upoznate s električnim alatom ili ovim uputama.** Električni alati su opasni u rukama nestručnih korisnika.
- **Održavajte električne alate i pribor.** Provjerite radi pogrešnog poravnanja ili savijanja pokretnih dijelova, puknuća dijelova i drugih uvjeta koji mogu utjecati na rad alata. Ako je oštećen, uređaj prije korištenja servisirajte. Većina nezgoda uzrokovane su od strane slabo održavanih uređaja.
- **Održavajte oštrinu i čistoću reznih alata.** Pravilno održavani rezni alati oštiri reznih rubova vjerojatno će se manje savijati i njima se lakše upravlja.
- **Proizvod, dodatke i alatne nastavke i sl. koristite u skladu s ovim uputama, uzimajući u obzir radne uvjete i radni postupak koji namjeravate izvršiti tim alatom.** Korištenje električnog alata za radove drugačije od njegove namjene može dovesti do opasne situacije.
- **Ručke i zahvatne površine održavajte suhima, čistima i vodite računa da na njima nema ulja i masti.** Skliske ručke i zahvatne površine ne omogućavaju sigurno rukovanje i nadzor nad alatom u neočekivanim situacijama.

## UPORABA I ODRŽAVANJE BATERIJE

- **Ponovno punite koristeći isključivo punjač koji je specificirao proizvođač.** Punjač koji može biti prikladan za jednu vrstu baterija može dovesti do opasnosti od požara kada se koristi s drugom baterijom.
- **Električne alate koristite samo s točno određenim baterijskim sklopovima.** Korištenje baterija koje nisu specificirane od strane proizvođača povećava rizik od ozljeda ili požara.
- **Kada se baterija ne koristi držite je dalje od drugih metalnih predmeta kao što su spajalice za papir, kovanice, ključevi, čavli, vijci ili drugih malih metalnih predmeta koji mogu spojiti jedan pol na drugi.** Kratko spajanje baterijskih stezaljki može prouzročiti opekline ili požar.
- **Ako baterijom rukujete na grub način ili u teškim uvjetima rada, može doći do curenja tekućine iz baterije.** Izbjegavajte dodir s tom tekućinom. U slučaju dodira isperite pogođeno mjesto tekućom vodom. Ako tekućina dođe u kontakt s očima smjesta potražite liječničku pomoć. Curenje ili

prskanje tekućine iz baterije može uzrokovati iritaciju kože ili opekline.

- **Nemojte koristiti bateriju ili alat koji su oštećeni ili modificirani.** Oštećene ili modificirane baterije mogu imati nepredvidivo ponašanje, što može dovesti do požara, eksplozije ili rizika od ozljede.
- **Nemojte izlagati baterijski sklop ili alat vatri ili visokoj temperaturi.** Izlaganje vatri ili temperaturi višoj od 130°C može dovesti do eksplozije.
- **Slijedite sve upute za punjenje i nemojte puniti bateriju ili alat na temperaturama izvan temperaturnog raspona specificiranog u uputama.** Nepravilno punjenje ili punjenje na temperaturama izvan specificiranog raspona može oštetiti bateriju i povećati rizik od požara.

## SERVIS

- **Neka vaš električni alat servisira kvalificirana osoba za popravak koristeći samo identične zamjenske dijelove.** Ovo će osigurati da se održi sigurnost električnog alata.
- **Nikada nemojte popravljati oštećene baterije.** Popravak oštećenih baterijskih sklopova smije izvoditi isključivo proizvođač ili ovlašteni servisni centar.

## SIGURNOSNE UPUTE ZA POTEZNO-PREKLOPNE PILE

- **Potezno-preklopne pile namijenjene su rezanju drva ili drvenih proizvoda, ne mogu se koristiti s abrazivnim diskovima za rezanje željeznim metalima kao što su poluge, šipke, svornjaci itd.** Abrazivna prašina uzrokuje zaglavlivanje pokretnih tijelova poput donjeg štitnika. Iskre nastale tijekom abrazivnog rezanja spalit će donji štitnik, umetak propiljka i ostale plastične dijelove.
- **Koristite spojnice za podršku izratka kad got je to moguće.** Ako obradak pridržavate rukom, ruku uvijek morate držati na udaljenosti od najmanje 100 mm od lista pile sa svake strane. Ovu pilu ne koristite za rezanje obradaka koji su premali za sigurno stezanje ili držanje rukom. Ako se vaša ruka nalazi preblizu listu pile, postoji povećan rizik od ozljede nastale u doticaju s listom pile.
- **Obradak mora biti nepokretan i stegnut ili zadržan kako na graničniku tako i na stolu.** Obradak ne usmjeravajte na list pile i ne režite ga "slobodnom rukom" na bilo koji način. Obraci koji nisu stegnuti ili koji se pomiču mogu izletjeti velikom brzinom, uzrokujući ozljedu.
- **Pilu gurajte kroz obradak.** Pilu nemojte povlačiti kroz obradak. Kako biste napravili rez, podignite glavu pile i povucite je prema van iznad obratka bez rezanja, pokrenite motor, pritisnite glavu pile prema dolje i gurnite pilu kroz obradak. Rezanje putem povlačenja vjerojatno će prouzročiti podizanje lista pile na vrh obratka i silovito odbaciti sklop lista pile prema rukovatelju.
- **Nikada ne stavljajte ruku preko zadane linije rezanja bilo ispred bilo iza lista pile.** Podupiranje obratka "prekriženih ruku" tj. držanje obratka na desnoj strani





lista pile lijevom rukom ili obratno je opasno.

- **Dok se oštrica okreće, ne posežite rukom iza graničnika bilo kojom rukom bliže od 100 mm sa svake strane lista pile kako biste uklonili ostatke drva ili zbog bilo kojeg razloga.** Blizina oštrice pile koja se vrti pokraj vaše ruke možda neće biti očita i možete se teško ozlijediti.
- **Pregledajte svoj graničnik prije rezanja. Ako je obradak ispušten ili izvitoperen stegnite ga tako da je vanjska ispuštena površina okrenuta prema štitniku. Uvijek se uvjerite da između obratka, graničnika i stola nema procijepa uzduž linije rezanja.** Savijeni ili izvitopereni obraci mogu se uvijati ili pomaknuti i mogu prouzročiti savijanje rotirajućeg lista pile tijekom rezanja. U obratku ne smije biti čavala ili stranih tijela.
- **Ne koristite pilu sve dok se sa stola ne makne sav alat, otpaci drva itd. osim obratka.** Male krhotine ili otpali komadi drva ili drugi predmeti koji dođu u doticaj s rotirajućim listom mogu izletjeti velikom brzinom.
- **Režite samo jedan po jedan obradak.** Više nagomilanih obradaka nije moguće prikladno zategnuti ili pričvrstiti i može doći do njihovog kvačenja za list pile ili do pomaka tijekom rezanja.
- **Prije uporabe potezno-preklopne pile, uvjerite se da se nalazi na ravnom čvrstom tlu.** Ravna i čvrsta radna površina smanjuje rizik od nestabilnosti potezno-preklopne pile.
- **Planirajte svoj rad. Svaki puta kada promijenite postavku kosine ili kuta rezanja, uvjerite se da je podesivi graničnik pravilno namješten za podupiranje obratka i da neće ometati list pile ili sustav štitnika.** Bez uključivanja alata i stavljanja postavke na "ON" ("UKLJUČENO") i na stolu nema obratka, list pile pomaknite kroz potpuno simulirani rez kako biste bili sigurni da neće biti smetnji ili opasnosti od rezanja graničnika.
- **Za obratke koji su širi ili dulji od površine stola osigurajte odgovarajuće potpore poput produžetaka stola, stalaka za piljenje itd.** Obraci koji su dulji ili širi od stola potezno-preklopne pile mogu se prevrnuti ako nemaju dobar oslonac. Ako se odrezani komad ili obradak prevrne, on može podići donji štitnik ili ga može izbaciti rotirajući list pile.
- **Nemojte koristiti druge ljude kao zamjenu za produžetak stola ili kao dodatni oslonac.** Nestabilna potpora za obradak može prouzročiti kvačenje ili pomak obratka tijekom postupka rezanja, što vas ili pomagača može povući prema rotirajućem listu pile.
- **Odrezani komad ne smije se zaglaviti ili ni na koji način pritisnuti rotirajući list pile.** Ako se nalazi u skućenom prostoru, tj. ako se zaustavlja zbog duljine, odrezani komad može se zabiti u list i biti silovito odbačen.
- **Uvijek koristite stegu ili okvir osmišljen za pravilno podupiranje zaobljenih materijala, kao što su šipke ili cijevi.** Šipke teže rotiranju za vrijeme rezanja, što uzrokuje zapinjanje ("zagriz") lista pile.
- **Pustite da list pile postigne punu brzinu prije dolaska u doticaj s obratkom.** Time će se smanjiti

rizik od izbacivanja obratka.

- **Ako se obradak ili list pile zaglave, isključite potezno-preklopnu pilu. Pričekajte da se svi pokretni dijelovi zaustave, a zatim izvucite utikač iz izvora napajanja i/ili izvadite baterijski sklop. Zatim radite na oslobađanju zaglavljenog materijala.** Nastavite li piliti sa zaglavljenim obratkom moglo bi doći do gubitka nadzora nad potezno-preklopnom pilom ili do njezinog oštećenja.
- **Nakon što završite s rezanjem, pustite prekidač, držite glavu pile okrenutu prema dolje i pričekajte da se list pile zaustavi prije skidanja odrezanog komada.** Stavljanje ruku blizu lista pile u pokretu je opasno.

## SIGURNOSNE UPUTE ZA OŠTRICU ZA REZANJE DRVETA

- Molimo vas da prije korištenja lista pile i proizvoda pažljivo pročitate priručnik i upute.
- Električni alat mora biti u dobrom stanju, osovina vrtnje mora biti bez deformacija i vibracija pri radu.
- Ne koristite proizvod ako štitnici nisu na svom mjestu. Držite štitnike u dobrom stanju i pravilno održavanim.
- Uvjerite se da je rukovatelj prošao odgovarajuću obuku za primjenu mjera opreza, podešavanje i rad s proizvodom.
- Prilikom korištenja proizvoda uvijek nosite naočale i sredstva za zaštitu sluha. Preporuča se nošenje rukavica, čvrstih cipela koje se ne klišu i pregača.
- Prije korištenja bilo kakvog dodatnog pribora pogledajte upute za uporabu. Nepravilno korištenje pribora može uzrokovati oštećenje alata i povećati mogućnost ozljede.
- Koristite samo oštricu navedenu u ovim uputama koja je u skladu s EN 847-1.
- Održavajte maksimalnu brzinu naznačenu na listu pile. Provjerite je li brzina označena na oštrici noža približno jednaka brzini označenoj na pili.
- Oštrice koje nisu prilagođene osovini na koju se postavljaju neće se ispravno okretati te može doći do gubitka kontrole nad alatom. Nikad ne upotrebljavajte vijke i podložne pločice koji su oštećeni ili neprilagođeni.
- Nemojte koristiti oštrice većeg ili manjeg promjera od preporučenog. Nemojte koristiti nikakve razmačnike kako biste priključili oštricu na osovinu.
- Prije svakog korištenja provjerite izgledaju li zupci lista pravilno te je li list oštećen. Oštećeni ili labavi zupci mogu prilikom korištenja alata postati leteći objekti i povećati opasnost od tjelesnih ozljeda.
- Nemojte koristiti slomljene ili iskorištene oštrice pile. Nemojte koristiti oštrice pile koje su oštećene ili deformirane.
- List pile koji je oštećen, deformiran, iskrivljen ili napuknut nije dozvoljeno popravljati.
- Nemojte koristiti HSS oštrice.
- Uvjerite se da je list pile pravilno postavljen, čvrsto zategnite sigurnosnu maticu prije uporabe (zatezni moment pribl. 12-15 Nm).
- Pritezni vijak i matice trebaju se zatezati pomoću

EN  
FR  
DE  
ES  
IT  
NL  
PT  
DA  
SV  
FI  
NO  
RU  
PL  
CS  
HU  
RO  
LV  
LT  
ET  
HR  
SL  
SK  
BG  
UK  
TR  
EL





odgovarajućeg ključa, itd.

- Nije dozvoljeno korištenje produljenja zateznog ključa ili zatezanje vijaka udarcima čekića.
- Osigurajte da su sve oštrice i pribornice čiste i da su upuštene strane spojnice prema oštrici.
- Osigurajte da su rotirajuće oštrice u točnom smjeru.
- prije rada, izvršite probni rez bez uključenog motora kako biste pozicionirali oštricu, rad štitnika u odnosu na druge dijelove uređaja i izradak mogu se također provjeriti.
- Proizvod nikada ne ostavljajte bez nadzora.
- Ne podmazujte list pile kad je pokrenut.
- Nikad ne vršite čišćenje ili održavanje kad je uređaj još pokrenut i njegova glava nije u stanju mirovanja.
- Nikad ne pokušavajte zaustaviti uređaj u brzom kretanju zaglavljivanjem alata ili drugim načinom prema oštrici, može doći do ozbiljne nesreće izazvane s namjerom.
- Prije mijenjanja listova pile ili izvođenja radova održavanja, isključite proizvod s izvora napajanja ili izvadite baterijski sklop.
- Obratite pozornost na pakiranje i raspakiranje, vrlo lako se može ozvljediti na oštar vrh.
- Koristite držač oštrice ili nosite rukavice prilikom rukovanja s listom pile.
- Održavajte i čuvajte oštricu u originalnom pakiranju ili drugom prikladnom pakiranju, čuvajte u suhim uvjetima i dalje od kemikalija koje mogu oštetiti oštricu.

## DODATNA SIGURNOSNA UPOZORENJA

- Uvijek stegnite izradak čvrsto.
- Osigurajte da je stroj uvijek stabilan i siguran (npr. učvršćen na radni stol).
- Nosite štitnike za uši. Izlaganje buci može izazvati gubitak sluha.
- Prilikom korištenja proizvoda uvijek nosite sigurnosne naočale. Preporučujemo da nosite rukavice za rukovanje s oštricama i sirovim materijalom, plus neklizajuće cipele za zaštitu stopala od izratka koji može pasti iz reznog područja.
- Proizvod odvojite od izvora napajanja ili izvadite baterijski sklop prije svakog održavanja ili čišćenja proizvoda.
- Baterijski sklop stavljajte samo kada je proizvod isključen.
- Nikada ne posežite u područje blizu oštrice osim ako se oštrica nije potpuno zaustavila.
- Prije korištenja proizvod i baterijski sklop temeljito pregledajte na bilo kakva oštećenja ili zamor materijala. Popravke na cijelom proizvodu treba obavljati samo ovlašteni servisni centar.
- Na proizvodu uvijek koristite štitnike. Ne koristite proizvod ako štitnici nisu na mjestu i ako ne rade pravilno.
- Donji štitnik lista pile treba se otvoriti samo kada se list pile spusti prema obratku i uvijek se mora micati slobodno i automatski zatvarati.
- Uvijek učvrstite i koristite produžne šipke kao oslonac obratka tijekom rada.

- Nikada ne mijenjajte proizvod ili njegovu funkciju. Može doći u pitanje vaša sigurnost.
- Nemojte koristiti oštrice pile koje su napukle, oštećene ili deformirane.
- Nemojte koristiti oštrice pile izrađene od čelika za velike brzine.
- Koristite samo oštrice koje su oštre. Zamijenite tupe oštrice.
- Oštrice koje nisu prilagođene osovini na koju se postavljaju neće se ispravno okretati te može doći do gubitka kontrole nad alatom. Nikad ne upotrebljavajte vijke i podložne pločice koji su oštećeni ili neprilagođeni.
- Koristite samo listove pile za obradu drva navedene u ovom priručniku, sukladno normi EN 847-1.
- Za osiguranje oštrice pile nemojte koristiti nikakve pribornice, podloške ili matice osim onih koje su isporučene ili naznačene u uputama za korištenje.
- Potrebno je odabrati oštricu pile koja je prikladna za materijal koji se reže. Proizvod nikada nemojte koristiti za rezanje materijala koji nisu navedeni u odjeljku o namjeni u ovom priručniku.
- Prilikom rezanja je važno spriječiti pregrijavanje lista pile i topljenje plastike.
- Bitno je pridržavati se maksimalne brzine navedene na listu pile, koristite samo list pile na kojem se nalazi oznaka brzine koja je jednaka brzini označenoj na alatu ili veća od nje.
- Zamijenite umetnutu tablu kad se istroši ili se ošteti.
- prije rada, izvršite probni rez bez uključenog motora kako biste pozicionirali oštricu, rad štitnika u odnosu na druge dijelove uređaja i izradak mogu se također provjeriti.
- Prilikom rezanja kutnih, kosih ili složenih rezova, namjestite klizni graničnik kako biste osigurali odgovarajući razmak od lista pile.
- Blokada ručice uvijek mora biti aktivirana tijekom prenošenja proizvoda.
- Održavajte pod područja bez odbačenih materijala, npr. strugotina i odrezaka.
- Pazite se od pomicanja bilo kojih odrezaka ili drugih dijelova izratka iz područja rezanja dok je stroj u radu, a glava pile nije u položaju mirovanja.
- Dugi izratci trebaju biti adekvatno poduprijeti. Područje rada pile uključuje cijeli produljeni izradak. Operater treba osigurati ovo područje od slučajnog dodira ostalih osoba ili objekata koji mogu pomaknuti izradak tijekom rada.
- Prašina koja nastaje tijekom korištenja proizvoda može biti štetna za zdravlje. Koristite sustav za izdvajanje prašine i nosite prikladnu zaštitnu masku za prašinu. Temeljito uklonite nakupine prašine, npr. pomoću usisavača.
- Ne zamjenjujte laser s drugačijom vrstom. Sve popravke mora izvršiti isključivo proizvođač ili ovlašteni serviser.
- Raspon temperatura okoliša za alat za vrijeme rada je između 0 °C i 40 °C.
- Raspon temperatura okoliša za pohranu alata je između 0 °C i 40 °C.





- Preporučena temperatura okoliša za sustav punjača za vrijeme punjenja je između 10 °C i 38 °C.

### TRANSPORTIRANJE LITIJUMSKIH BATERIJA

Transportirajte bateriju u skladu s lokalnim i nacionalnim pravilima i zakonima.

Sljedite sve specijalne zahtjeve na pakiranju i naljepnicama prilikom transporta baterije od treće strane. Osigurajte da baterija ne može doći u kontakt s drugim baterijama ili provodnim materijalima tijekom transporta tako da zaštitite izložene priključke s izolacijom, kapicama koje ne provode energiju ili trakom. Nemojte transportirati baterije koje su polomljene ili cure. Provjerite kod kompanije koja transportira za daljnju pomoć.

### DODATNA SIGURNOSNA UPOZORENJA ZA BATERIJU

#### ⚠ UPOZORENJE

Zbog izbjegavanja opasnosti od požara jednim kratkim spojem, opasnosti od ozljeda ili oštećenja proizvoda, alat, izmjenjivi akumulator ili napravu za punjenje ne uronjavati u tekućine i pobrinite se za to, da u uređaje ili akumulator ne prodiru nikakve tekućine. Korozirajuće ili vodljive tekućine kao slana voda, određene kemikalije i sredstva za bijeljenje ili proozvodi koji sadrže sredstva bijeljenja, mogu prouzročiti kratak spoj.

- Raspon temperatura okoliša za bateriju za vrijeme uporabe je između 0 °C i 40 °C.
- Raspon temperatura okoliša za pohranu baterije je između 0 °C i 20 °C.

### SIGURNOST LASERA

- Zračenje laserskog vodiča koji je korišten u ovoj pili je Klasa 2 s maksimalnim valnim duljinama ≤1mW i 650 nm. Nemojte gledati izravno u lasersku zraku. Nepoštivanje ovih pravila može rezultirati ozbiljnim osobnim ozljedama.
- Nemojte gledati u zraku tijekom rada.
- Ne usmjerujte lasersku zraku izravno u oči drugih. Može doći do ozbiljnih povreda.
- Nemojte postavljati laseru položaj koji može prouzročiti da bilo tko namjerno ili nenamjerno gleda u lasersku traku.
- Nemojte koristiti optičke alate za gledanje laserske zrake.
- Nemojte raditi s laserom oko djece ili dopustiti djeci da rade s laserom.
- Ne pokušavajte samostalno popraviti laserski uređaj.
- Ne pokušavajte samostalno promijeniti nijedan dio laserskog uređaja.
- Sve popravke mora izvršiti samo proizvođač lasera ili ovlašteni zastupnik.
- Ne zamjenjujte laser s drugačijom vrstom.

### PREOSTALE OPASNOSTI

Čak i kad je proizvod korišten kao što je prethodno opisano, još uvijek nije moguće potpuno isključiti ostale čimbenike opasnosti. Može doći do sljedećih opasnosti prilikom korištenja i operater mora obratiti posebnu pozornost kako bi izbjegao sljedeće:

- Postoji opasnost od kontakata s nepokrivnim rotirajućim dijelovima pile.
- Povratni udar izratka i dijelova izratka zbog nepravilnog ruklovanja.
- Izbacivanje karbidnih tipli iz lista pile.
- Oštećenja na respiratornom sustavu.  
**NAPOMENA:** Nosite respiratorne maske koje sadrže odgovarajuće filtere za materijale s kojima se radi Osigurajte odgovarajuću ventilaciju radnog mjesta. Nemojte jesti, piti ili pušiti u radom području.
- Oštećenja na sluhu ako se ne nosi učinkovita zaštita za sluh.

#### ⚠ UPOZORENJE

Prašina iz određenih boja, premaza i materijala mogu uzrokovati iritacije ili alergijske reakcije u respiratornom sustavu. Prašina iz drveta poput hrasta, bukve, MDF-a i ostalog je karcinogena. Materijalom koji sadrži azbest trebaju uvijek raditi ili obrađivati kvalificirani stručnjaci.

#### ⚠ UPOZORENJE

Ozljede mogu biti uzorkovane ili izazvane produljenim vremenskim razdobljem korištenja alata. Kada koristite bilo koji alat dulje vremena, osigurajte da uzimate povremene stanke.

### UPOZNAJTE SVOJ PROIZVOD

*Pogledajte stranicu 215.*

1. Drška, izolirana površina za hvatanje
2. Sklopka za napajanje
3. Ručka sigurnosne blokade
4. Gornji štitnik
5. List pile
6. Donji štitnik
7. Glavna letva
8. Okretni stol
9. Baza
10. Podložak stola
11. Ručka za blokadu okretnog stola
12. Nožica za balansiranje
13. Stabilizatorska poluga
14. Prekidač lasera
15. Gornja drška, izolirana površina za hvatanje
16. Prirubnica
17. Zaustavljač nosača
18. Ručica za blokiranje nagiba
19. Spojnica
20. Pomična letva
21. Otvor za montažu
22. Produžena letvica
23. Vijci za blokiranje glavne ograde

- 24. Gumb za zaključavanje osovine
- 25. Baterija
- 26. Vrećica za prašinu
- 27. Gumb za podešavanje dubine reza
- 28. Maksimalna dubina reza
- 29. Gumb za linerano zaustavljnje šipke
- 30. Vijci za podešavanje ograničenja kuta nagiba
- 31. Ključ sa šesterokutnom glavom

## RAD

Funkcije proizvoda pomične kutne pile mogu se postaviti pod različitim kutovima od strane operatera kada se reže izradak koji je čvrsto utvrđen na postolje proizvoda. Smije raditi samo jedna osoba kako bi se spriječio nenamjeran kontakt s pokrenutom oštricom pile.

Principi za siguran rad proizvoda su:

- Održavajte pilu, oštricu i područje rada u dobrom stanju.
- Osigurajte postolje kutne pile na čvrsti stol. Proizvod se može pomaknuti i izvrnuti ako nije odgovarajuće pričvršćen.
- Postavite i blokirajte kutove rezanja i dubinu prije reza.
- Osigurajte izradak na postolje kutne pile. Koristite isporučenu spojku i kada je to potrebno, koristite dodatne spojnice ili mehanizme za držanje kako biste spriječili slučajno pomicanje izratka tijekom rezanja.
  - Provjerite da rad štitnika oštrice nije ograničen položajem izratka.
  - Osigurajte da letva i drugi dijelovi proizvoda neće biti prerezani kad se oštrica supusti u položaj za rezanje.
- Pokrenite motor i omogućite oštrici da postigne punu brzinu prije laganog spuštanja na izradak. Sklop lista pile gurnite prema natrag da biste završili rez ako je to potrebno.
- Omogućite sklopu oštrice da se izdigne u gonjem položaju gdje su štitnici oštrice potpuno zatvoreni. Isključite motor i omogućite oštrici da se potpuno zaustavi prije uklanjanja izratka ili reza, ili prije dostizanja područja oštrice.

Prije prvog korištenja, osigurajte da je kut nagiba ili pile postavljen na proizvodu odgovarajući kutu koji se proizvodi na izratku. Provjerite ovo na odbačenom izratku drveta korištenjem stolarskog kompleta ili kutne pile.

## ⚠ UPOZORENJE

Proizvođač izričito preporučuje da je proizvod uvijek čvrsto montiran na stolu.

Stroj se može koristiti s maksimalnom postavkom nagiba i kosine rezanja bez opasnosti od prevrtanja ako je postolje proizvoda čvrsto pričvršćeno za gornju klupe pomoću četiri vijka, matice i podloška, na način opisan u uputama. Ako proizvod nije pravilno pričvršćen, može se prevrnuti kada je odabran veći nagib kuta.

Na prednjoj strani postolja kutne pile je produžena letvica koju treba povući pream van da se potpuno istegne. Ovo pomaže spriječiti kutnu pilu od prevrtanja.

Postoji i podešivi vijak (balansirajuća noga) koja se produžuje iz donjeg dijela okretnog stola. Ovaj vijak treba

podesiti tako da dodiruje ravnu površinu na koju se proizvod oslanja. Ovo će također spriječiti proizvod od prevrtanja prilikom rezanja na proširenoj strani i nagibom. Pazite, ovaj dio pile pomiče se drugačije od odabrnih kutova pile, stoga vijak treba često podešavati i postavljati.

## ODRŽAVANJE

- Nemojte modificirati proizvod ni na koji način ili koristiti dodatni pribor koji nije odobren od strane proizvođača. Može doći u pitanje vaša i sigurnost ostalih.
- Nemojte koristiti proizvod ako neki prekidači, štitnici ili druge funkcije ne rade po namjeni. Vratite u ovlašteni servisni centar radi profesionalnog popravka ili zamjene.
- Nemojte vršiti nikakva podešavanja dok se oštrica pile pokreće.
- Prije namještanja, podmazivanja ili radova na održavanju proizvoda uvijek provjerite je li baterijski sklop izvađen iz proizvoda.
- Prije i nakon svakog korištenja, provjerite proizvod na oštećenja ili polomljene dijelove. Držite proizvod u vrhunskom radnom stanju na način da odmah zamjenjujete dijelove s rezervnim dijelovima odobrenim od proizvođača.
- Rubovi noža su oštri i mogu ostati vrući nakon rezanja. Budite iznimno oprezni prilikom čišćenja izloženog noža. Nosite rukavice kako biste se zaštitili od ozljeda.
- Pilu i njezin pribor redovito čistite od prašine, posebno pokretne dijelove uključujući i štitnik lista pile. Kako biste učinkovito uklonili prašinu, koristite ručnu četku ili usisavač prašine. Nemojte koristiti komprimirani zrak.
- Radi veće sigurnosti i pouzdanosti, sve popravke, uključujući zamjene četki, treba izvoditi ovlašteni servisni centar.

## ⚠ UPOZORENJE

Ne pokušavajte rasklapati štitnik lista pile radi čišćenja ili popravka. Oštećeni štitnici ne smiju se koristiti. Vratite ih u ovlašteni servisni centar radi popravka ili zamjene.

## ⚠ UPOZORENJE

Radi veće sigurnosti i pouzdanosti, sve popravke treba izvoditi ovlašteni servisni centar.

## Kalibracija kuta podrezivanja i nagiba

Ako je potrebna kalibracija kuta podrezivanja i nagiba, pogledajte stranice 236 – 242 i slijedite upute za kalibraciju.

## Maksimalna dubina reza

Maksimalna dubina reza sprječava oštricu pile da uđe u metalno postolje jedinice.

## ⚠ UPOZORENJE

Maksimalnu dubinu reza ne može podesiti korisnik. Nemojte podešavati maksimalnu dubinu reza.

## TRANSPORT I SKLADIŠTENJE

- Prilikom skladištenja proizvoda, uklonite baterijski sklop. Skladištite proizvod na dobro osiguranom mjestu koje nije pristupačno djeci.
- Očistite proizvod korištenjem četke i usisavača prije spremanja.
- Ako uklanjate oštricu pile ili držite rezervne dijelove s jedinicom, osigurajte da su u originalnom pakiranju kako biste spriječili ozljede.

### Za osiguranje proizvoda prije pomicanja.

- Proizvod treba biti spremjen pod nula kutom pile i nagibom kuta u zaključanom položaju. Strana treba biti blokirana. Ručka treba biti blokirana u donjem (sigurnom) položaju sa zatvorenim štitnikom.
- Jedna ili obje strane produžnih šipki može se ukloniti zbog lakšeg prenošenja.

### Za pomicanje ili transport u vozilu:

- Osigurajte proizvod prije pomicanja kao što je opisano u priručniku.
- Uklonite proizvod sa stola otpuštanjem 4 vijka, jedan po svakom kutu. Osigurajte vijke za buduće korištenje. Podignite proizvod korištenjem ručke na vrh.
- Kada podižete, dvije osobe trebaju nositi čvrste rukavice za podizanje postolja proizvoda.
- Kada se prevozi u vozilu, postavite proizvod na postolje i osigurajte od pomicanja.

## ZAŠTITA OKOLIŠA



Sirovine reciklirajte, umjesto da ih odlažete kao otpad. Kako biste zaštitili okoliš, alat, dodatke i ambalažu treba odvojeno baciti u otpad.

## SIMBOLI NA PROIZVODU



Sigurnosno upozorenje



CE usklađenost



EurAsian znak konformnosti



Ukrajinska oznaka za sukladnost



Molimo da pažljivo pročitate upute prije pokretanja stroja.



Nosite zaštitu za sluh



Uvijek nosite zaštitna sredstva za oči.



Držite ruke dalje od područja rezanja i oštrice.



Nemojte izlagati kiši ili koristiti na vlažnim lokacijama.



Nosite zaštitne rukavice



Smjer okretanja lista (prikazan na listu pile)



Smjer rotacije noža (prikazano na štitniku oštrice)



Širina rezanja lista pile (Širina propiljka)



Broj zubaca na ovom listu pile



Kapacitet rezanja



Za rezanje drva i sličnog materijala



Nije namijenjeno rezanju metala



Radijacija lasera. Nemojte gledati u zraku.



Proizvod 2 laserskog razreda. Otpadni električni proizvodi ne treba da se odlažu s otpadom iz domaćinstva. Molimo da reciklirate gdje je to moguće. Potražite savjet od lokalnih vlasti ili prodavca kako reciklirati.

## SIMBOLI U PRIRUČNIKU



Brava



Otključavanje



Blokirni mehanizam ne radi



Dijelovi ili pribor prodan odvojeno



Napomena



Upozorenje

Slijedeće riječi upozorenja i značenja imaju namjeru da objasne nivo rizika u vezi s ovim proizvodom.

 **OPASNOST**

Naznačuje prijeteću opasnu situaciju, koja ako se ne izbjegne dovodi do smrti ili ozbiljnih ozljeda.

 **UPOZORENJE**

Naznačuje potencijalno opasnu situaciju, koja ako se ne izbjegne dovodi do smrti ili ozbiljnih ozljeda.

 **OPREZ**

Naznačuje potencijalno opasnu situaciju, koja ako se ne izbjegne dovodi do lakših ili srednjih ozljeda.

**OPREZ**

(Bez simbola upozorenja sigurnosti) Označava situaciju koja može izazvati oštećenje imovine



Žaga je zasnovana in izdelana za zagotavljanje najvišje ravni varnosti, učinkovitosti in zanesljivosti delovanja.

## NAMEN UPORABE

Zajeralna žaga je namenjena žaganju masivnega in lepljenega lesa, lesu podobnih materialov, s furnirjem ali brez, ter plastike.

Orodje smejo uporabljati odrasle osebe, ki so podrobno seznanjene z navodili za uporabo in se zavedajo vseh tveganj in nevarnosti pri delu z orodjem.

Izdelek mora biti privit v trdno in stabilno delovno podlago. Če osnova ni tesno privita, se lahko med rezanjem celoten stroj začne premikati, kar poveča nevarnost resnih telesnih poškodb.

Izdelek je zasnovan za poševno in zajerno rezanje. Zmogljivosti žage pri posameznih vrstah rezov so predstavljene v tehničnih specifikacijah v tem priložniku.

Namizni vrtalnik uporabljajte izključno v suhih pogojih z ustrezno razsvetljavo in zadostnim prezračevanjem.

Izdelek je namenjen za potrošniško uporabo in se sme uporabljati le tako, kot je opisano zgoraj in ne v druge namene.

## SPLOŠNA VARNOSTNA NAVODILA ZA ELEKTRIČNA ORODJA

### ⚠ OPOZORILO

**Preberite vsa varnostna opozorila, navodila, ilustracije in specifikacije, ki so priložene temu električnemu orodju.** Če ne upoštevate opozoril in navodil, lahko pride do električnega udara, ognja in/ali hudih poškodb.

Vsa opozorila in vsa navodila shranite za bodočo referenco. Izraz »električno orodje« v opozorilih se nanaša na električno napajano (ožičeno) električno orodje ali baterijsko napajano (brezžično) električno orodje.

## VARNOST NA DELOVNEM PROSTORU

- Delovno območje naj bo čisto in dobro osvetljeno. V neurejenih in temnih območjih se rade zgodijo nesreče.
- Ne delajte z električnimi orodji v okolju, kjer je nevarnost eksplozije na primer v prisotnosti vnetljivih tekočin, plinov ali prahu. Električna orodja proizvajajo iskre, ki lahko vnamejo prah ali hlape.
- Med uporabo električnega orodja v bližino ne pustite otrok in drugih ljudi. Zaradi zmanjšane koncentracije lahko izgubite nadzor.

## ELEKTRIČNA VARNOST

- Vtiči električnih orodij se morajo prilegati vtičnicam. Vtiča nikoli in na noben način ne smete spreminjati. Z ozemljenimi električnimi orodji ne uporabljajte adapterskih vtičev. Nespremenjeni vtiči in ustrezne vtičnice zmanjšajo tveganje električnega udara.
- Izogibajte se telesnemu stiku z ozemljenimi površinami, kot so cevi, radiatorji, kuhalniki in hladilniki. Če je vaše telo ozemljeno, obstaja povečano tveganje električnega udara.

- Električnih orodij ne izpostavljajte dežju ali vlažnim pogojem. Voda v električnem orodju znatno poveča tveganje električnega udara.
- Kabla ne uporabljajte za neustrezne namene. Kabla nikoli ne uporabljajte za prenašanje, vleko ali izklop električnega orodja. Kabel imejte proč od vročine, olja, ostrih robov ali premikajočih se delov. Poškodovani ali zapleteni kabli zvišujejo tveganje električnega udara.
- Med uporabo električnega orodja na prostem uporabljajte podaljševalni kabel, ki je primeren za zunanjo uporabo. Uporaba kabla, primerne za zunanjo uporabo, znižuje tveganje električnega udara.
- Če je delo z električnimi orodji v vlažnem okolju neizogibno, uporabite tokovno zaščitno stikalo (RCD). Uporaba naprave RCD zmanjša tveganje za električni udar.

## OSEBNA VARNOST

- Ostanite pozorni, spremljajte svoje delo in pri uporabi orodja uporabljajte zdravo pamet. Ne uporabljajte orodja, ko ste utrujeni ali pod vplivom drog, alkohola ali zdravil. Trenutek nepazljivosti med uporabo električnega orodja - kompresorja lahko povzroči hude telesne poškodbe.
- Nosite osebno varovalno opremo. Vedno nosite zaščito za oči. Uporaba zaščitne opreme, na primer protiprašne maske, ndrsečih varnostnih čevljev, čelade ali zaščitne ušes v ustreznih pogojih zmanjša nevarnost osebnih poškodb.
- Preprečite nehoten zagon. Poskrbite, da je pred priključitvijo naprave na vir napajanja in/ali akumulator ter pred pobiranjem ali prenašanjem naprave stikalo v položaju za izklop. Če električno orodje prenašate s prstom na stikalu za vklop ali polnite električne izdelke, ko je stikalo vklopljeno, lahko povzročite nesrečo.
- Pred vklopom električnega orodja odstranite morebitne nastavitvene ključce ali izvijače. Izvijač ali ključ, ki je pritrjen na vrtljivi del električnega orodja, lahko povzroči telesne poškodbe.
- Ne segajte preko dosega. Pazite, da stojite stabilno in da imate ravnotežje. To omogoča boljši nadzor nad električnim orodjem v nepričakovanih situacijah.
- Bodite primerno oblečeni. Ne nosite ohlapnih oblačil ali nakita. Las in oblačil ne približujte gibljivim delom. Ohlapna obleka, nakit ali dolgi spuščeni lasje se zlahka ujamejo v gibajoče se dele.
- Če se na napravo lahko priključijo elementi za ekstrakcijo ali zbiranje prahu, poskrbite, da jih priključite in ustrezno uporabljate. Zbiranje prahu lahko zmanjša nevarnosti, povezane s prahom.
- Pazite, da zaradi pogoste uporabe orodja ne postanete preveč samozavestni pri svojem delu in ne namenite pozornosti upoštevanju varnostnih načel uporabe. Brezbržno dejanje lahko že v delcu sekunde povzroči hudo poškodbo.

## UPORABA IN NEGA ELEKTRIČNEGA ORODJA

- Orodja ne preobremenjujte. Uporabljajte vaši uporabi ustrezen izdelek. Z ustreznim izdelkom boste

|           |
|-----------|
| EN        |
| FR        |
| DE        |
| ES        |
| IT        |
| NL        |
| PT        |
| PL        |
| DA        |
| SV        |
| FI        |
| NO        |
| RU        |
| PL        |
| CS        |
| HU        |
| RO        |
| LV        |
| LT        |
| ET        |
| HR        |
| <b>SL</b> |
| SK        |
| BG        |
| UK        |
| TR        |
| EL        |





delo opravljali bolje in varneje pri hitrosti, za katero je namenjen.

- **Ne uporabljajte električnega orodja, če ga stikalo ne vklopi ali izklopi, kot bi bilo treba.** Kakršno koli električno orodje, ki ga ni mogoče nadzirati s stikalom, je nevarno in ga je potrebno popraviti.
- **Pred izvajanjem prilagoditev, menjavanjem dodatkov ali shranjevanjem električnega orodja vtič izključite iz vira napajanja in/ali iz električnega orodja odstranite akumulatorsko baterijo, če se lahko odstrani.** S temi preventivnimi ukrepi omejite tveganje slučajnega vklapa izdelka.
- **Električna orodja, ki niso v uporabi, shranjujte izven dosega otrok in ne dovolite, da bi električno orodje uporabljale osebe, ki niso seznanjene z električnim orodjem ali s temi navodili.** Električna orodja so v rokah neusposobljenih uporabnikov nevarna.
- **Električno orodje in dodatke vzdržujte. Preverite, če so gibljivi deli napačno pritrjeni ali poškodovani ali kar koli drugega, kar bi lahko vplivalo na delovanje orodja. Če se orodje poškoduje, ga pred ponovno uporabo popravite.** Veliko nesreč se zgodi zaradi slabega vzdrževanje orodij.
- **Rezalno orodje naj bo vedno ostro in čisto.** Ustrezno vzdrževano rezalno orodje z ostrimi rezili se manj verjetno sprime in lažje upravlja.
- **Izdelek, dodatke, orodje itd. uporabljajte v skladu s temi navodili in upoštevajte delovne pogoje ter delo, ki ga izvajate.** Uporaba električnega orodja za namene, ki so drugačni od tistih, za katere je bilo orodje zasnovano, lahko povzroči nevarne situacije.
- **Ročaji in držalne površine naj bodo suhi, čisti in brez olja ter masti.** Spolzki ročaji in držalne površine ne omogočajo varnega ravnanja z orodjem ter njegovega upravljanja v nepričakovanih situacijah.

#### UPORABA IN VZDRŽEVANJE ORODJA NA AKUMULATORJE

- **Akumulator polnite samo s polnilcem, ki ga predpiše proizvajalec.** Polnilec, ki praviloma ustreza eni vrsti baterij, je morda nevaren in škodljiv, če z njim polnite drugo vrsto baterij.
- **Električno orodje uporabljajte izključno z zanj namenjenimi akumulatorskimi vložki.** Uporaba drugih akumulatorjev lahko povzroči nevarnost poškodbe in požara.
- **Ko baterije ne uporabljajte, pazite, da bo odmaknjena od kovinskih predmetov, kot so papirne sponke, kovanci, ključi, žebliji, vijaki ali drugih majhni kovinski predmeti, ki bi lahko povzročili povezavo med obema terminaloma.** Povzročitev kratkega stika priključkov akumulatorja lahko povzroči opekline ali požar.
- **Ob grobi uporabi lahko iz akumulatorja brizgne tekočina; ne dotikajte se je. Če se tekočina slučajno dotaknete, jo sperite z vodo. Če vam tekočina pride v oči, poiščite tudi zdravniško pomoč.** Tekočina, ki brizgne iz akumulatorja, lahko povzroči draženje ali opekline.
- **Poškodovanega ali spremenjenega**

**akumulatorskega vložka oziroma orodja ne uporabljajte.** Poškodovani ali spremenjeni akumulatorji lahko delujejo na nepredvidljiv način, kar lahko povzroči požar, eksplozijo ali nevarnost telesne poškodbe.

- **Akumulatorskega vložka ali orodja ne izpostavljajte ognju ali previsokim temperaturam.** Ob izpostavljenosti ognju ali temperaturam, višjim od 130 °C, lahko pride do eksplozije.
- **Dosledno upoštevajte navodila za polnjenje in akumulatorskega vložka oziroma orodja ne polnite izven temperaturnega razpona, predpisanega v navodilih.** Ob nepravilnem polnjenju oziroma polnjenju pri temperaturah izven predpisanega razpona se lahko poškoduje akumulator in poveča nevarnost požara.

#### SERVIS

- **Električno orodje naj servisira za to usposobljena oseba, uporabljati pa sme le originalne nadomestne dele.** To bo zagotovilo vzdrževanje varnostni električne naprave.
- **Nikoli ne servisirajte poškodovanih akumulatorskih vložkov.** Akumulatorske vložke lahko servisira samo proizvajalec ali pooblaščen servisier.

#### VARNOSTNA NAVODILA ZA KOTNE ŽAGE

- **Kotne žage so predvidene za rezanje lesa ali lesu podobnih izdelkov; ne sme se jih uporabljati z brusilnimi diski za rezanje kovinskih materialov, kot so palice, drogovci, stebri itd. Prah, ki nastane pri brušenju, povzroči zatikanje gibljivih delov, na primer spodnjega ščitnika.** Iskre, ki nastanejo pri brusilnem rezanju, ožgejo spodnji ščitnik, rezalni vstavek in druge plastične dele.
- **Uporabite primeže, da podprete obdelovanec, kadar koli je mogoče. Če obdelovanca podpirate z roko, jo morate vedno imeti vsaj 100 mm od katere koli strani rezila žage. Ne uporabljajte te žage za rezanje kosov, ki so premajhni, da bi jih lahko varno priželi ali držali z roko. Če roko položite preblizu rezila žage, se poveča nevarnost nastanka telesne poškodbe zaradi stika z rezilom.**
- **Obdelovanec mora biti pri miru in prižet, ali pa ga je treba potiskati ob zaščito in delovni pult. Obdelovanca ne približujte rezilu oziroma ga ne režite »prostoročno«.** Nepritrene ali premikajoče se obdelovance lahko vrže v zrak z visoko hitrostjo in lahko vas poškodujejo.
- **Potisnite žago skozi obdelovanca. Žage ne vlecite skozi obdelovanca. Režite tako, da glavo žage dvignete in jo potegnute prek obdelovanca, ne da bi rezali, zaženete motor, potisnete glavo žage navzdol in potisnete žago skozi obdelovanca.** Rezanje s potegom lahko povzroči, da se rezilo žage dvigne na vrh obdelovanca in grobo vrže sestav rezila proti operaterju.
- **Nikoli ne postavite roke na nameravano rezalno črto, niti pred niti za rezilo žage.** Podpiranje obdelovanca s prekrizanimi rokami, tj. držanje obdelovanca desno od rezila žage z vašo levo roko ali obratno je zelo nevarno.
- **Ne sezite za zaščito z nobeno roko bližje kot 100**





mm od katere koli strani rezila žage, da bi odstranili žaganje ali iz katerega koli drugega razloga, če se rezilo vrti. Bližina vrtečega se rezila žage vaši roki morda ni samoumevna in lahko se hudo poškodujete.

- **Pred rezanjem pregledjte obdelovanca.** Če je obdelovanec ukrivljen ali zviti, ga vpnite tako, da je zunanja ukrivljena ploskev obrnjena proti zaščiti. Vedno se prepričajte, da vzdolž rezalne črte ni špranje med obdelovancem, zaščito in delovnim pultom. Ukrivljeni ali zviti obdelovanci se lahko upognejo ali premaknejo, kar povzroči zatikanje vrtečega se rezila žage med rezanjem. V obdelovancu ne sme biti žebeljev ali tujkov.
- **Ne uporabljajte žage, dokler je na delovnem pultu orodje, žaganje in podobno.** Majhne ostanke ali kose lesa oziroma druge predmete lahko ob stiku z vrtečim se rezilom vrže v zrak z visoko hitrostjo.
- **Režite samo enega obdelovanca naenkrat.** Več obdelovancev, zloženih v skladovnico, ni mogoče ustrezno prižeti in se lahko med rezanjem primejo na rezilo ali pa se premaknejo.
- **Poskrbite, da kotno žago pred uporabo pritrđite ali postavite na ravno, trdno delovno površino.** Ravna in trdna delovna površina zmanjša tveganje, da bi kotna žaga postala nestabilna.
- **Načrtujte svoje delo.** Ob vsaki spremembi nastavitve kota vogelnice ali zajere se prepričajte, da je nastavljiva zaščita pravilno nastavljena, da lahko podpira obdelovanca in ne bo motila rezila ali zaščitnega sistema. Ne da bi vklopili orodje in brez obdelovanca na delovnem pultu premaknite rezilo žage prek popolnega simuliranega reza, da se prepričate, da ne bo moten ali nevarnosti rezanja zaščite.
- **Če je obdelovanec daljši od delovnega pulta, uporabite ustrezno podporo, na primer podaljške delovnega pulta, koze za žaganje itd.** Če so obdelovanci daljši ali širši od delovnega pulta kotne žage, se lahko prevrnejo, če niso varno podprti. Če se odžagani kos ali obdelovanec prevrne, lahko dvigne spodnji ščitnik ali pa ga vrteče se rezilo vrže v zrak.
- **Ne uporabljajte druge osebe kot nadomestek za podaljšek delovnega pulta ali dodatno podporo.** Nestabilno podprt obdelovanec lahko povzroči sprijemanje rezila ali premikanje obdelovanca med rezanjem, kar lahko vas ali pomočnika potegne v vrteče se rezilo.
- **Odrezan kos ne sme biti zataknen ali na kakršen koli način potisnjen ob vrteče se rezilo žage.** Če je odžagani kos pritrjen, npr. z uporabo omejevalnikov dolžine, se lahko zatakne v rezilo in ga grobo vrže v zrak.
- **Vedno uporabljajte spono ali pritrđilne elemente, ki so ustrezno oblikovani za podpiranje okroglega materiala, na primer palic ali cevi.** Palice se med rezanjem rade vrtijo, zaradi česar rezilo »grize« in vašo roko potegne k rezilu.
- **Rezilo naj pred stikom z obdelovancem doseže polno hitrost.** S tem se zmanjša tveganje metanja obdelovanca v zrak.
- **Če se obdelovanec ali rezilo zagodzi, kotno žago**

izklopite. Počakajte, da se vsi gibljivi deli zaustavijo, nato izvlecite vtič iz električne vtičnice in/ali odstranite akumulatorski vložek. Nato sprostite zataknen material. Če se obdelovanec zagodzi, lahko z nadaljnjim žaganjem izgubite nadzor ali poškodujete kotno žago.

- **Po dokončanju reza sprostite stikalo, držite glavo žage navzdol in počakajte, da se rezilo ustavi, in šele nato odstranite odrezan kos.** Seganje z roko proti rezilu, ki se še vedno vrti, je nevarno.

## VARNOSTNA NAVODILA ZA REZILLO ZA LES

- Pred uporabo rezila žage in izdelka pazljivo preberite priročnik ter navodila.
- Električno orodje mora biti v brezhibnem stanju, vreteno pa ne sme biti deformirano in se ne sme tresti.
- Ne uporabljajte izdelka brez nameščenih ščitnikov. varovala morajo biti v dobrem delovnem stanju in ustrezno vzdrževana.
- Poskrbite, da je operater ustrezno usposobljen iz varnostnih previdnostnih ukrepov, nastavljanja in uporabe izdelka.
- Med uporabo izdelka vedno nosite očala in zaščito ušes. Priporočljivo je, da nosite rokavice, masivne čevlje, v katerih ne drsi, in predpasnik.
- Preden uporabite kateri koli dodatek, preverite navodila za uporabo. Nepravilna uporaba dodatka lahko privede do poškodb in povečanega tveganja za telesne poškodbe.
- Uporabljajte le rezila, ki so določena v teh navodilih in so v skladu z EN 847-1.
- Upošteвайте maksimalno hitrost, ki je označena na rezilu. Prepričajte se, da je hitrost, označena na rezilu, vsaj enaka hitrosti, označeni na žagi.
- Vedno uporabljajte rezila s pravilno velikostjo in obliko odprtine za vpenjanje. Če se rezila ne ujemajo z montažnimi elementi žage, je njihovo vrtenje ekscentrično, kar povzroči izgubo nadzora.
- Ne uporabljajte rezil večjega ali manjšega premera, kot je priporočen. Ne uporabljajte distančnikov, da bi namestili rezilo na vreteno.
- Konice žaginega lista pred vsako uporabo pregledjte zaradi poškodb ali nepravilnega videza. Poškodovane ali zrahljane konice se lahko med uporabo snamejo in odletijo, s čimer povečajo možnost telesnih poškodb.
- Ne uporabljajte zvitihi ali počenihi rezil. Nikoli ne uporabljajte poškodovanihi ali deformiranihi rezil.
- Poškodovane, deformirane, izkrivljene ali počene žagine liste zavrzite. Takšnih listov ne popravljajte.
- Ne uporabljajte rezil HSS.
- Poskrbite, da je rezilo žage pravilno namešeno; pred uporabo dobro privijte vretenasto matico (navor privitja pribl. 12-15 Nm).
- Pritrdilni vijak in matice je treba priviti z ustreznim ključem itd.
- Podaljševanje izvijača ali privijanje s pomočjo udarcev kladiva ni dovoljeno.
- Prepričajte se, da so vsa rezila in prirobnice čisti ter da

EN  
FR  
DE  
ES  
IT  
NL  
PT  
DA  
SV  
FI  
NO  
RU  
PL  
CS  
HU  
RO  
LV  
LT  
ET  
HR  
SL  
SK  
BG  
UK  
TR  
EL





so utori prirobnice usmerjeni proti rezilu.

- Prepričajte se, da se rezilo vrti v pravo smer.
- Pred začetkom dela najprej naredite "slepi" rez brez vključenega motorja, da preverite položaj rezila in delovanje zaščit glede na druge dele stroja ter glede na obdelovanec.
- Izdelka nikoli ne pustite brez nadzora.
- Ne mažite rezila, ko se rezilo vrti.
- Stroja nikoli ne čistite ali vzdržujte, ko stroj teče in glava ni v položaju mirovanja.
- Nikoli ne poskušajte stroja med delovanjem ustaviti na hitro tako, da rezilo blokirate z drugim pripomočkom ali sredstvom, saj lahko pride do hudih nesreč.
- Pred menjavo rezila ali vzdrževanjem žago obvezno izklopite iz napajanja ali odstranite akumulatorski vložek.
- Ko rezilo pakirate in odpirate, bodite previdni, saj se lahko hitro poškodujete z ostrimi konicami rezila.
- Pri rokovanju z rezilom uporabite držalo za rezilo ali pa nosite rokavice.
- Rezilo hranite v originalni ali drugi primerni embalaži, hranite v suhih pogojih in proč od kemikalij, ki lahko poškodujejo rezilo.

#### DODATNA VARNOSTNA OPOZORILA

- Obdelovani kos vedno trdno in varno spnite.
- Zagotovite, da je stroj vedno stabilen in zavarovan (npr. pritrjen na mizo).
- Nosite ščitnike za ušesa. Izpostavljenost hrupu lahko povzroči izgubo sluha.
- Med uporabo izdelka vedno nosite varnostna očala. Priporočamo, da med ravnanjem z rezili in grobimi materiali nosite rokavice in trdne čevlje proti zdrsom, s čimer boste noge zavarovali pred obdelovanci, ki lahko padejo z območja rezanja.
- Pred vzdrževanjem ali čiščenjem izdelka izklopite izdelek iz napajanja ali odstranite akumulatorski vložek.
- Akumulatorski vložek nameščajte le, če je izdelek izklopljen.
- Nikoli ne posegajte v območje blizu rezila, razen če je rezilo povsem zaustavljeno.
- Pred uporabo temeljito preglejte izdelek in akumulatorski vložek, da odkrijete morebitne poškodbe ali utrujenost materiala. Izdelek lahko popravljajo le na pooblaščenem servisu.
- Vedno uporabljajte ščitnike izdelka. Ne uporabljajte izdelka, če ščitniki niso nameščeni ali ne delujejo pravilno.
- Spodnji ščitnik rezila bi se moral odpreti šele, ko se rezilo približa obdelovancu, in se mora vedno neovirano premikati ter se samodejno zapirati.
- Med delom vedno namestite in uporabljajte podaljševalne palice za podporo obdelovanca.
- Nikoli ne spreminjajte ali prilagajajte izdelka oziroma njegovega delovanja. Vaša varnost je morda ogrožena.
- Nikoli ne uporabljajte počenih, poškodovanih ali deformiranih rezil.

- Ne uporabljajte rezil iz hitroreznega jekla.
- Uporabljajte samo ostra rezila. Zamenjajte topa rezila.
- Vedno uporabljajte rezila s pravilno velikostjo in obliko odprtine za vpenjanje. Če se rezila ne ujemajo z montažnimi elementi žage, je njihovo vrtenje ekscentrično, kar povzroči izgubo nadzora.
- Uporabljajte le rezila za obdelavo lesa, navedena v tem priročniku, ki so v skladu s standardom EN 847-1.
- Za pritržitev rezil ne uporabljajte prirobnic, podložk ali matic, ki niso priložene ali navedene v navodilih za uporabo.
- Pomembno je, da izberete rezilo, ki je primerno za material, ki ga režete. Nikoli ne uporabljajte izdelka za rezanje materialov, ki niso navedeni v razdelku »Predvidena uporaba« v tem priročniku.
- Med rezanjem je pomembno, da se prepreči pregretje rezila in taljenje plastike.
- Nujno je treba upoštevati najvišjo hitrost, navedeno na rezilu žage; uporabljajte le rezila žag, na katerih je navedena hitrost, ki je enaka ali višja od hitrosti, navedene na orodju.
- Vložek mize zamenjajte, ko je ta obrabljen ali poškodovan.
- Pred začetkom dela najprej naredite "slepi" rez brez vključenega motorja, da preverite položaj rezila in delovanje zaščit glede na druge dele stroja ter glede na obdelovanec.
- Med izvajanjem zajernih, poševnih ali sestavljenih zajernih rezov nastavite drsno zaščito ali pomožno zaščito, da zagotovite ustrezen razmik od rezila.
- Med prevozom izdelka mora biti zaklep ročaja vedno aktiviran.
- Pazite, da na tleh ne bodo predmeti in smeti, npr. odkruški in odrezki.
- Z območja rezanja ne odstranjujte odrezkov ali ostalih delov, ko stroj teče in ko glava žage ni v položaju mirovanja.
- Dolge obdelovance je treba ustrezno podpreti. Delovno območje žage vključuje celoten doseg obdelovanca. Upravljalavec naj to območje zavaruje pred nenamernim stikom z drugimi osebami ali predmeti, ki bi lahko obdelovanca med delom premaknili.
- Prah, ki nastaja med uporabo izdelka, lahko škoduje zdravju. Uporabljajte sistem odsesavanja prahu in nosite ustrezno masko za zaščito proti prahu. Odstranite nakopičeni prah, npr. s sesalnikom.
- Laserja ne menjajte z laserjem druge vrste. Vsa pravila prepustite proizvajalcu ali pooblaščenemu serviserju.
- Temperatura okolja delovanja orodja je med 0 °C in 40 °C.
- Temperatura okolja shranjevanja orodja je med 0 °C in 40 °C.
- Priporočena temperatura okolja za polnilni sistem med polnjenjem je med 10 °C in 38 °C.

#### PREVAŽANJE LITIJEVIH AKUMULATORJEV

Akumulator prevažajte v skladu z lokalnimi in državnimi uredbami in predpisi.







Upoštevajte vse posebne zahteve glede pakiranja in označevanja, kadar prevoz opravlja tretja oseba. Zagotovite, da akumulatorji med prevozom ne morejo priti v stik z drugimi akumulatorji ali prevodnimi materiali, tako da zaščitite izpostavljene konektorje z neprevodnimi izolacijskim pokrovčki ali trakom. Ne prevažajte poškodovanih akumulatorjev oz. akumulatorjev, ki puščajo. Za nadaljnje informacije se obrnite na posredništvo.

#### DODATNA VARNOSTNA OPOZORILO ZA BATERIJO

##### ⚠ OPOZORILO

V izogib, s kratkim stikom povzročene nevarnosti požara, poškodb ali okvar na proizvodu, orodja, izmenljivega akumulatorja ali polnilne naprave ne potaplajte v tekočine in poskrbite, da ne bo prihajalo do vdora tekočin v naprave in akumulatorje. Korozivne ali prevodne tekočine, kot so slana voda, določene kemikalije in belila ali proizvodi, ki le ta vsebujejo, lahko povzročijo kratek stik.

- Temperatura okolja za baterijo (izdelek) je med 0 °C in 40 °C.
- Temperatura okolja za shranjevanje baterije je med 0 °C in 20 °C.

#### LASERSKA VARNOST

- Sevanje laserskega vodila, uporabljenega v žagi, je razreda 2, in sicer z močjo ≤1mW in valovno dolžino 650 nm. Ne glejte neposredno v laserski žarek. Neupoštevanje pravil lahko povzroči resne telesne poškodbe.
- Med delovanjem ne glejte v laserski žarek.
- Laserskega žarka ne usmerjajte neposredno v oči drugih oseb. To lahko povzroči resno poškodbo oči.
- Laserja ne postavljajte tako, da bi lahko kdor koli namerno ali nenamerno pogledal neposredno v laserski žarek.
- Ne glejte laserskega žarka z optičnimi pripomočki.
- Laserja ne uporabljajte v bližini otrok in ne dovolite otrokom, da bi ga uporabljali.
- Laserske naprave nikoli ne poskušajte popravljati sami.
- Ne poskušajte spreminjati delov laserske naprave sami.
- Popravila lahko izvaja le proizvajalec laserja ali pooblaščen servisier.
- Laserja ne menjajte z laserjem druge vrste.

#### PREOSTALA TVEGANJA

Nekateri preostali dejavniki tveganja ni mogoče povsem odpraviti, tudi če ta izdelek uporabljate v skladu z navodili. Med uporabo se lahko pojavijo nekatere nevarnosti, upravljavec pa naj bo pozoren na naslednje:

- Nevarnost stika z odkritimi deli vrtečega se rezila.
- Povratni sunki obdelovancev in njihovih delov zaradi neustrezne uporabe.
- Katapultiranje poškodovanih karbidnih konic z rezila.

- Poškodbe dihal.

**OPOMBA:** Nosite zaščitne dihalne maske s primernimi filtri za obdelovane materiale. Zagotovite primerno prezračevanje prostora. V delovnem območju je prepovedano jesti, piti in kaditi.

- Okvare sluha, če ne nosite učinkovite zaščite za sluh.

##### ⚠ OPOZORILO

Prah z določenih delov, premazi in materiali lahko povzročijo draženje ali alergijske reakcije dihal. Prah z lesa, kot je hrast, bukev, MDF-plošče ali drugi, je karcinogen. Materiale, ki vsebujejo azbest naj obdeluje ali procesira zgolj usposobljen specialističen upravljavec.

##### ⚠ OPOZORILO

Zaradi daljše uporabe orodja lahko pride do poškodb oz. se morebitne poškodbe poslabšajo. Kadar orodje uporabljate dalj časa, si večkrat vzemite odmor.

#### SPOZNAJTE SVOJ IZDELEK

Glej stran 215.

1. Ročaj, izolirano držalo
2. Gumb za vklop
3. Ročica za varnostni zaklep
4. Gornji ščitnik
5. Rezilo žage
6. Spodnji ščitnik
7. Glavna ograja
8. Obračalna miza
9. Podstavek
10. Vložek mize
11. Ročica za zaklep obračalne mize
12. Noga za uravnoteženje
13. Opornik proti prevračanju
14. Lasersko stikalo
15. Zgornji ročaj, izolirano držalo
16. Prirobnica
17. Zaustavitev nosilca
18. Zaklepna ročica poševnega kota
19. Objemka
20. Ograja za drsenje.
21. Luknja za pritrditev
22. Palica za podaljševanje
23. Vijaki za zaklep glavnega okvrija
24. Gumb za blokado vretena
25. Baterija
26. Vrečka za prah
27. Gumb za nastavitev globine reza
28. Omejitev za maksimalno globino reza.
29. Zaustavitveni gumb za linearno palico
30. Vijaki za prilagajanje omejitve poševnega kota
31. Šestrobi ključ

#### DELOVANJE

Izdelek ima premično rezilo, ki ga lahko upravljavec med rezanjem obdelovanca, ki je pritrjen na osnovo izdelka, nastavi na različne kote. Stroj naj vedno upravlja ena oseba naenkrat, da se izognete nenamernemu stiku s





premikajočim se rezilom.

Načela za varno delovanje izdelka so sledeča:

- Žaga, rezila in delovno območje naj bodo vedno v dobrem stanju.
- Podnožje krožne namizne žage dobro pritrdite na trden delovni pult. Izdelek se lahko premakne in prevrne, če ni ustrezno pritrjen.
- Nastavite in zaklenite kote in globino rezanja, preden zarezete.
- Obdelovanec pritrdite na osnovo zajeralne žage. Uporabite priloženo objemko, in kadar je to potrebno, uporabite dodatne objemke ali pridržalne mehanizme, da preprečite neželeno premikanje obdelovanca med rezanjem.
  - Preverite, da delovanje zaščit rezil ni omejeno s položajem obdelovanca.
  - Prepričajte se, da rezilo ob spuščanju na spodnji del ne bo prerezalo ograje ali drugih delov.
- Zaženite motor in dovolite, da rezilo doseže polno hitrost, preden ga počasi spustite, da zarezete v obdelovanec. Če je potrebno, za zaključek reza potegnite sestav rezila nazaj.
- Dovolite, da se zgornji sklop rezil dvigne do zgornjega položaja, kjer je zaščita za rezila povsem zaprta. Pred odstranjevanjem obdelovanca ali odrezkov ali pred poseganjem v območje rezila izklopite motor in počakajte, da se rezilo povsem ustavi.

Pred prvo uporabo se prepričajte, da se kot poševnega ali zajeralnega sklopa na izdelku ujema z nameravanim kotom na obdelovancu. To preverite na odpadnem kosu lesa s pomočjo tesarjevega seta ali zajeralnega kvadrata.

#### **⚠ OPOZORILO**

Proizvajalec močno priporoča, da je izdelek vedno dobro nameščen na delovnem pultu.

Ko je podstavek izdelka s štirimi maticami, vijaki in podložkami po navodilih trdno pritrjen na delovni pult, se lahko izdelek uporablja z nastavitvijo največje poševnice in zajere brez nevarnosti, da bi se prevrnil. Če izdelek ni primerno zavarovan, se lahko izdelek pri izjemno poševnih kotih prevrne.

Na sprednji strani osnove zajeralne žage je podaljšljiva palica, katero izvlecite do polne dolžine. To bo preprečilo, da bi se zajeralna žaga prevrnila.

Obstaja tudi nastavljen vijak (noga za uravnoteženje), ki se razteza od dna podaljška obračalne mize. Ta vijak je treba prilagoditi, da se dotika ravne površine, na kateri stoji izdelek. To bo tudi preprečilo, da bi se izdelek prevrnil med rezanjem po celotni dolžini drsnika ali poševnine. Bodite previdni, ta del mize za žaganje se premika pri izbiranju različnih zajeralnih kotov, zato je treba vijak pogosto prilagoditi in ponastaviti.

#### **VZDRŽEVANJE**

- Tega izdelka na noben način ne spreminjajte ali uporabljajte dodatkov, ki jih ni odobril proizvajalec. Vaša varnosti in varnost drugih sta morda ogroženi.

- Izdelka ne uporabljajte, če stikala, zaščite ali druge funkcije ne delujejo, kot je bilo predvideno. Za profesionalno popravilo ali zamenjavo se obrnite na pooblaščen servis.
- Ne izvajajte prilagoditev, ko rezila obratujejo.
- Pred nastavljanjem, mazanjem ali vzdrževanjem izdelka poskrbite, da je akumulatorski vložek odstranjen iz izdelka.
- Pred in po vsaki uporabi preverite, ali je izdelek poškodovan oz. ali ima pokvarjene dele. Izdelek ohranjajte v vrhunskem stanju tako, da nemudoma zamenjate dele z nadomestnimi deli, ki jih je odobril proizvajalec.
- Rezilo ima ostre robove, ki lahko po rezanju ostanejo vroči. Pri čiščenju izpostavljenega rezila bodite izjemno previdni. Nosite rokavice, da se zaščitite pred telesnimi poškodbami.
- Z žage in dodatkov redno čistite prah, predvsem z gibljivih delov, vključno s ščitnikom rezila. Za učinkovito odstranjevanje prahu uporabite krtačo ali sesalec za prah. Ne uporabljajte stisnjenega zraka.
- Da bi zagotovili varnost in zanesljivost, mora vsa popravila, vključno z menjavo ščetk, stroja opraviti pooblaščen servisni center.

#### **⚠ OPOZORILO**

Med čiščenjem ali popravili ne razstavite sestava ščitnika rezila. Poškodovanih ščitnikov se ne sme uporabljati. Popravila ali zamenjave naj izvedejo na pooblaščenem servisu.

#### **⚠ OPOZORILO**

Zaradi večje varnosti in zanesljivosti naj vsa popravila izvaja pooblaščen servisni center.

#### **Umerjanje kota zajere in poševnice**

Če je potrebno umerjanje kota zajere in poševnice, glejte stran 236–242 in sledite navodilom za umerjanje.

#### **Omejitev za maksimalno globino reza.**

Omejitev maksimalne globine reza preprečuje, da bi rezilo zarezalo v kovinsko osnovo enote.

#### **⚠ OPOZORILO**

Uporabnik ne more nastaviti omejitve maksimalne globine reza. Ne prilagajajte omejitve za maksimalno globino reza.

#### **TRANSPORT IN SKLADIŠČENJE**

- Med shranjevanjem izdelka odstranite akumulatorski vložek. Izdelek shranjujte v varnem prostoru izven dosega otrok.
- Izdelek pred skladiščenjem očistite s pomočjo krtače in sesalca.
- Če odstranite rezila ali hranite nadomestne pri enoti, se



prepričajte, da so v originalni embalaži, da se izognete poškodbam.

#### Za zavarovanje izdelka pred premikanjem:

- Izdelek naj bo shranjen zajeralnem in poševnem kotu v višini nič stopinj in v zaklenjenem položaju. Drsnik naj bo zaklenjen. Ročka mora biti zaklenjena v spodnjem (varnem) položaju z zaprtimi zaščitami.
- Za lažje prenašanje lahko odstranite podaljševalne palice na eni ali obeh straneh.

#### Za premik ali transport v vozilu:

- Pred premikanjem izdelek pritrdite, kot je opisano v priročniku.
- Z delovnega pulta odstranite izdelek tako, da odvijete 4 vijake, enega na vsakem vogalu. Pritrdite vijake za prihodnjo uporabo. Dvignite izdelek s pomočjo ročke na vrhu.
- Pri dvigovanju na višino sta za dvig osnove izdelka potrebni dve osebi z zaščitnimi rokavicami.
- Ko ga prevažat v vozili, izdelek postavite na osnovo in ga pritrdite, da se ne more premikati.

#### ZAŠČITA OKOLJA



Namesto, da napravo zavržete, reciklirajte surovine. Napravo, pribor in embalažo je treba sortirati za okolju prijazno recikliranje.

#### SIMBOLI NA IZDELKU



Varnostno opozorilo



Skladnost CE



EurAsian oznaka o skladnosti



Ukrajinska oznaka za skladnost



Prosimo, da si pred zagonom naprave pozorno preberete navodila



Nosite zaščito za ušesa



Vedno nosite zaščito za oči.



Roke vedno držite proč od območja žaganja in od rezila.



Ne izpostavljajte dežju in ne uporabljajte na vlažnih mestih.



Nosite zaščitne rokavice



Smer vrtenja rezila (prikazana na rezilu žage)



Smer vrtenja rezil (prikazano na zaščiti rezil)



Širina rezila (reza)



Število zob na tem rezilu žage



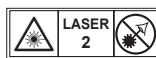
Zmogljivost rezanja



Za rezanje lesa in podobnega materiala



Ni za rezanje kovin



Lasersko sevanje. Ne glejte v žarek. Laserski izdelek 2. razreda  
Odpadne električne izdelke ne odlagajte skupaj z ostalimi gospodinjstvi odpadki. Reciklažo opravljajte na predpisanih mestih. Za nasvet se obrnite na lokalne oblasti.



#### SIMBOLI V PRIROČNIKU



Zaklenjeno



Odklenjeno



Zaklepni mehanizem ne deluje



Deli ali dodatki so na prodaj ločeno



Opomba



Opozorilo

Sledeče signalne besede in pomeni naj bi pojasnili ravni tveganja, ki so povezane s tem izdelkom.

**⚠ NEVARNOST**

Označuje neizogibno nevarno stanje, ki lahko povzroči smrt ali hude poškodbe, če ga ne preprečite.

**⚠ OPOZORILO**

Označuje morebitno nevarno stanje, ki bi lahko povzročilo smrt ali hude poškodbe, če ga ne preprečite.

**⚠ POZOR**

Označuje morebitno nevarno stanje, ki lahko povzroči manjše ali zmerne poškodbe, če se ga ne preprečite.

**POZOR**

(Brez simbola Varnostni alarm) Označuje stanje, ki lahko privede do poškodovanja lastnine.



Bezpečnosť, efektívnosť a spoľahlivosť boli prvoradé pri navrhovaní vašej pokosovej píly.

## ÚČEL POUŽITIA

Táto pokosová píla je určená na rezanie masívneho alebo lepeného dreva, materiálov podobných drevu, s dyhou alebo bez dyhy a plastov.

Tento výrobok môžu používať len dospelé osoby, ktoré si prečítali a porozumeli návodu na obsluhu, rizikám a nebezpečenstvám.

Tento výrobok je navrhnutý tak, aby sa dal v spodnej časti pripevniť k pevnej doske stola. Pokiaľ základňa nie je bezpečne zaistená, celý stroj sa pri operáciách rezania môže pohybovať, čo zvyšuje možnosť závažného poranenia.

Tento výrobok bol navrhnutý na vykonávanie šikmých a pokosových rezov. Možnosti vykonávať rôzne rezy sú uvedené v špecifikácii výrobku v tejto príručke.

Výrobok je určený na použitie v suchom prostredí, s výborným osvetlením okolia a dostatočným vetraním.

Tento produkt je určený na použitie spotrebiteľom, musí sa používať len podľa vyššie uvedeného popisu a nie je určený na žiadny iný účel.

## VŠEOBECNÉ BEZPEČNOSTNÉ VÝSTRAHY PRE ELEKTRICKÝ NÁSTROJ

### ⚠ VAROVANIE

**Prečítajte si všetky výstrahy, pokyny, vyobrazenia a špecifikácie dodané k tomuto elektrickému nástroju.** Pri nedodržaní týchto výstrah a pokynov môže dôjsť k úrazu elektrickým prúdom, požiaru a/alebo závažnému poraneniu

**Odložte všetky výstrahy a pokyny pre budúce použitie.** Výraz „elektrické náradie“ uvádzaný vo výstrahách sa vzťahuje na elektrické náradie napájané zo siete (s káblom) alebo elektrické náradie napájané akumulátorom (bez kábla).

### BEZPEČNOSŤ PRACOVISKA

- **Pracovisko udržiavajte v čistote a správne osvetlené.** Prepchané alebo tmavé miesta zvyšujú pravdepodobnosť nehôd.
- **Nepracujte s mechanickými nástrojmi vo výbušných atmosférach, napríklad v blízkosti zápalných tekutín, plynov alebo prachu.** Mechanické nástroje vytvárajú iskry, ktoré môžu podpáliť takýto prach alebo výpary.
- **Deti a okolostojaci sa počas práce s mechanickým nástrojom nesmú zdržovať v jeho blízkosti.** Rozptýlenie môže spôsobiť, že stratíte nad nástrojom kontrolu.

### ELEKTRICKÁ BEZPEČNOSŤ

- **Zástrčky mechanického nástroja musia zodpovedať zásuvke. Zástrčku nikdy žiadnym spôsobom neupravujte. S uzemnenými mechanickými nástrojmi nepoužívajte adaptérové zásuvky.**

Použitím neupravených zástrčiek a zodpovedajúcich zásuviek sa znižuje riziko úrazu elektrickým prúdom.

- **Vyhýbajte sa telesnému kontaktu s uzemnenými povrchmi, napríklad rúrami, radiátormi, sporákmi a chladničkami.** Ak je vaše telo uzemnené, hrozí vysoké riziko úrazu elektrickým prúdom.
- **Mechanické nástroje nevystavujte dažďu ani mokrému prostrediu.** Voda, ktorá vnikne do mechanického nástroja, zvyšuje riziko úrazu elektrickým prúdom.
- **Kábel nenamáhajte. Nikdy nepoužívajte kábel na prenášanie, ťahanie alebo odpájanie mechanického nástroja.** Kábel nedávajte do blízkosti tepla, oleja, ostrých hrán alebo pochybujúcich sa dielov. Poškodené alebo zamotané káble zvyšujú riziko úrazu elektrickým prúdom.
- **Pri práci s mechanickým nástrojom v exteriéri používajte predízovaci kábel vhodný pre použitie v exteriéri.** S káblom vhodným pre použitie v exteriéri sa znižuje riziko úrazu elektrickým prúdom.
- **Ak je nevyhnutné pracovať s mechanickými nástrojmi vo vlhkom prostredí, použite zdroj chránený zariadením pre zvyškový prúd.** Použitie zariadenia pre zvyškový prúd znižuje riziko úrazu elektrickým prúdom.

### OSOBNÁ BEZPEČNOSŤ

- **Pri práci s nástrojom dávajte neustále pozor, sledujte, čo robíte a používajte zdravý rozum.** Nepoužívajte tento nástroj, keď ste unavení alebo pod vplyvom drog, alkoholu alebo liekov. Chvíľa nepozornosti počas práce s mechanickými nástrojmi môže spôsobiť závažné osobné poranenie.
- **Používajte osobné ochranné prostriedky. Vždy používajte chrániče zraku.** Na redukovanie osobných poranení sa pre príslušné podmienky musia používať ochranné prostriedky, ako je protiprachová maska, ochranná obuv s protišmykovou úpravou, prilba alebo chrániče sluchu.
- **Dbajte na to, aby nedochádzalo k neúmyselnému spusteniu. Pred pripojením k zdroju napájania a/alebo súprave batérií, zdvíhaním alebo prenášaním výrobku vždy vypínač prepnite do vypnutej polohy.** Prenášanie elektrického náradia s prstom na vypínači alebo dodávanie energie do elektrického náradia s vypínačom v zapnutej polohe môže spôsobiť úraz.
- **Pred zapnutím nástroja odstráňte prípadný nastavovací klin alebo kľúč.** Keď necháte kľúč alebo klin nasadený na rotujúci diel mechanického nástroja, môže dôjsť k vážnemu poraneniu osôb.
- **Nesiahajte príliš ďaleko. Neustále zachovávajte pevnú oporu nôh a rovnováhu.** Tak si zaistíte lepšiu kontrolu nad mechanickým nástrojom v nečakaných situáciách.
- **Primerane sa oblečte. Nenoste voľný odev ani šperky. Svoje vlasy a odev majte v bezpečnej vzdialenosti od pohyblivých dielov.** Voľný odev, šperky či dlhé vlasy sa môžu zachytiť do pohyblivých častí.
- **Ak sú zariadenia vybavené prípojkou pre zariadenie**





na odsávanie a zber prachu, pripojte ich a správne ich používajte. Používanie zberu prachu môže znížiť nebezpečenstvá súvisiace s prachom.

- **Nedovoľte, aby znalosti získané počas častého používania náradia spôsobili, že budete ignorovať princípy bezpečnosti pre náradie.** Nepozorná činnosť môže v zlomku sekundy spôsobiť vážne poranenie.

## POUŽÍVANIE ELEKTRICKÉHO NÁSTROJA A STAROSTLIVOSŤ OŇ

- **Na nástroj nevyvíjajte silu. Používajte vhodný produkt pre danú aplikáciu.** Správny produkt splní svoju úlohu lepšie a bezpečnejšie pri rýchlosti, na ktorú je určený.
- **Mechanický nástroj nepoužívajte, ak spínač nezapína a nevypína nástroj.** Mechanický nástroj, ktorý sa nedá ovládať spínačom, je nebezpečný a musí sa dať opraviť.
- **Pred vykonávaním akýchkoľvek úprav, výmenou príslušenstva alebo uskladnením elektrického náradia odpojte elektrickú zástrčku zo zdroja napájania a/alebo vyberte z elektrického náradia súpravu batérií, ak sa dá vybrať.** Takéto preventívne bezpečnostné opatrenia znižujú riziko náhodného spustenia výrobu.
- **Nečinné mechanické nástroje odložte mimo dosahu detí a nedovoľte používať mechanický nástroj osobám neoboznánym s mechanickým nástrojom alebo týmito pokynmi.** Mechanické nástroje sú v rukách netrénovaných osôb nebezpečné.
- **Vykonávajte údržbu elektrického náradia a príslušenstva.** Skontrolujte, či pohyblivé diely nie sú nesprávne nastavené alebo zablokované, či niektoré diely nie sú poškodené, ako aj akýkoľvek iný stav, ktorý by mohol ovplyvniť činnosť nástroja. Pri poškodení nechajte pred opätovným použitím nástroj opraviť v servise. Mnoho nehôd je spôsobených nedostatočnou údržbou nástrojov.
- **Udržujte ostrosť a čistotu rezného náradia.** Správne udržiavané rezné náradie s ostrými reznými hranami menej pravdepodobne uviazne a jednoduchšie sa ovláda.
- **Výrobok, príslušenstvo, nadstavce a pod. používajte v súlade s týmito pokynmi a zohľadnite pritom pracovné podmienky a vykonávanú prácu.** Pri používaní mechanického nástroja na iné ako určené činnosti môže dôjsť k nebezpečným situáciám.
- **Rúčky a úchopné povrchy uchovávajte suché, čisté a bez oleja a maziva.** Šmyklivé rúčky a úchopné povrchy neumožňujú bezpečnú manipuláciu a ovládanie náradia v neočakávaných situáciách.

## POUŽÍVANIE A STAROSTLIVOSŤ O NÁRADIE NAPÁJANÉ BATERIAMI

- **Nabíjajte len nabíjačkou, ktorú uvádza výrobca.** Nabíjačka, ktorá je vhodná pre jeden typ akumulátora, môže pri použití s iným akumulátorom spôsobiť riziko požiaru.
- **Elektrické náradie používajte len spolu so špecificky určenými súpravami batérií.** Použitie iných súprav batérií môže predstavovať riziko poranenia a požiaru.

- **Keď sa jednotka akumulátora nepoužíva, nedávajte ju do blízkosti iných kovových objektov, ako sú papierové sponky, mince, kľúče, klince, skrutky či iné malé kovové predmety, ktoré by mohli skratovať svorky.** Skratovanie koncoviek batérie môže spôsobiť popáleniny alebo požiar.
- **Pri nevhodnom používaní môže z batérie vytekať tekutina; zabráňte kontaktu s ňou.** V prípade náhodného kontaktu opláchnite postihnuté miesto vodou. Ak tekutina pride do kontaktu s očami, vyhľadajte lekársku pomoc. Tekutina vytekajúca z batérie môže spôsobiť podráždenie alebo popáleniny.
- **Poškodenú alebo upravenú súpravu batérií alebo náradie nepoužívajte.** Poškodené alebo upravené batérie môžu vykazovať nepredvídateľné správanie s následkom požiaru, výbuchu alebo poranenia.
- **Súpravu batérií ani náradie nevystavujte účinkom ohňa ani nadmernej teploty.** Vystavenie účinkom ohňa alebo teploty nad 130 °C môže spôsobiť výbuch.
- **Dodržiavajte všetky pokyny na nabíjanie a súpravu batérií ani náradie nenabíjajte mimo rozsahu teplôt, ktorý je uvedený v pokynoch.** Nesprávne nabíjanie alebo nabíjanie pri teplotách mimo uvedeného rozsahu môže poškodiť batériu a zvýšiť riziko vzniku požiaru.

## SERVIS

- **Servis mechanického nástroja prenechajte kvalifikovanému servisnému pracovníkovi s použitím len identických náhradných dielov.** Týmto sa zabezpečí, že sa zachová bezpečnosť elektrického nástroja.
- **Nikdy nevykonávajte servis poškodených súprav batérií.** Servis súprav batérií sme vykonávať len výrobca alebo autorizovaný poskytovateľ servisu.

## BEZPEČNOSTNÉ POKYNY PRE POKOSOVÉ PÍLY

- **Pokosové píly sú určené na rezanie dreva a drevu podobných výrobkov a nesmú sa používať spolu s rozbrusovacími kotúčmi na rezanie železných materiálov, ako sú tyče, drôty, klince atď.** Abrázivný prach vznikajúci spôsobuje uviaznutie pohyblivých dielov, ako je spodný chránič. Iskry vznikajúce pri rozbrusovaní spôsobia zapálenie spodného chrániča, škárovacej vložky či iných plastových dielov.
- **Pomocou svoriek podporte obrobok vždy, keď je to možné. Ak budete obrobok podpierať rukou, ruku musíte mať aspoň 100 mm od ktorejkoľvek strany pilovej čepele. Túto pílu nepoužívajte na rezanie kusov, ktoré sú veľmi malé na bezpečné prichytenie či držanie rukou.** Ak svoju ruku umiestnite veľmi blízko pilovej čepele, existuje zvýšené riziko poranenia v dôsledku kontaktu s čepeľou.
- **Obrobok musí byť stabilizovaný a prichytený alebo držaný pri zábrane alebo stole.** Obrobok akýmkoľvek spôsobom „voľnou rukou“ neposúvajte smerom do čepele ani ho týmto spôsobom nerezte. Neupevnené alebo pohybujúce sa obrobky môžu byť odhodené vysokou rýchlosťou a môžu spôsobiť poranenie.
- **Pílu tlačte cez obrobok. Pílu cez obrobok neťahajte. Ak chcete vykonať rez, zdvihnite hlavu**





píly a potiahnite ju ponad obrobok bez rezania, **naštartujte motor, stlačte hlavu píly nadol a pílu tlačte cez obrobok.** Rezanie s pohybom tahaním pravdepodobne spôsobí, že čepeľ vylezie na hornú časť obrobku a silne odhodí zostavu čepele smerom k obsluhu.

- **Nikdy nekladte svoju ruku krížom cez zamýšľanú líniu rezu, a to ani pred ani za pílovou čepeľou.** Podopieranie obrobku „krížom“, t. j. držiak obrobok vpravo od pílovej čepele ľavou rukou a naopak, je veľmi nebezpečné.
- **Kým sa čepeľ otáča, nenačahujte sa za zábranu ktoroukoľvek rukou bližšie než 100 mm ku ktorejkoľvek strane čepele, aby ste odstránili drevené úlomky, ani z akéhokoľvek iného dôvodu.** Blízkosť otáčajúcej sa pílovej čepele k ruke nemusí byť zrejماً a môžete sa vážne poraniť.
- **Pred rezaním obrobok skontrolujte. Ak je obrobok ohnutý alebo zvlnený, upevnite ho vonkajšou ohnutou stranou k zábrane. Vždy zabezpečte, aby medzi obrobkom, zábranou a stolom nebola pozdĺž línie rezu žiadna medzera.** Ohnuté alebo zvlnené obrobky sa môžu stočiť alebo posunúť a môžu spôsobiť uviaznutie otáčajúcej sa pílovej čepele počas rezania. V obrobku sa nesmú nachádzať žiadne kince ani cudzie predmety.
- **Pílu nepoužívajte, až kým zo stola okrem obrobku neodstránite všetky nástroje, drevené úlomky atď.** Malé úlomky a voľne položené kúsky dreva či iné predmety, ktoré sa dotknú otáčajúcej sa čepele, môžu byť odhodené vysokou rýchlosťou.
- **Naraz režte len jeden obrobok.** Na seba poukladané obrobky nemožno primerane upnúť alebo zovrieť a počas rezania sa môžu zachytiť v čepeľi alebo posunúť.
- **Pred použitím pokosovú pílu namontujte na vodorovnom a pevnom pracovnom povrchu.** Vodorovný a pevný pracovný povrch redukuje riziko nestability pokosovej píly.
- **Svoju prácu si naplánujte. Pri každej zmene uhla šikmosti alebo pokosu správne nastavte nastaviteľnú zábranu, aby podopierala obrobok a neprekážala čepeľi či systému ochrany.** Bez toho, aby ste náradie zapli a na stôl položili obrobok, pohybujte pílu po kompletnej simulovanej línii rezu, aby ste overili, že nedôjde k porušeniu alebo nebezpečenstvu prerezania zábrany.
- **Pre obrobky, ktoré sú širšie alebo dlhšie ako pracovný stôl, zabezpečte primeranú podporu, ako je predĺženie stola, podpora na rezanie atď.** Ak obrobky, ktoré sú dlhšie alebo širšie ako stôl s pokosovou pílu nebudú bezpečne podopreté, môžu sa prevrhnúť. Ak sa odrezaný kus alebo obrobok prevrhne, môže zdvihnúť spodný chránič alebo môže dôjsť k jeho odhodeniu otáčajúcou sa čepeľou.
- **Ako náhradu za predĺženie stola alebo ako dodatočnú podperu nevyužívajte inú osobu.** Nestabilná podpera obrobku môže spôsobiť uviaznutie čepele alebo posunutie obrobku počas rezania, čím dôjde k potiahnutiu vás a pomocníka smerom k otáčajúcej sa čepeľi.
- **Odrezaný kus sa nesmie zasúvať ani tlačiť**

akýmkoľvek spôsobom smerom k otáčajúcej sa pílovej čepeľi. V prípade ohraničenia, t. j. používania dĺžkových zarážok, by sa mohol odrezaný kus vkliniť smerom k čepeľi a mohlo by dôjsť k jeho silnému odhodeniu.

- **Na podopretie okrúhlych materiálov, ako sú tyče alebo rúry, vždy používajte prichytku alebo upevnenie navrhnuté pre takéto materiály.** Tyče majú tendenciu sa počas rezania otáčať, čo spôsobí, že čepeľ bude „chniapať“ a ťahať výrobok spolu s vašou rukou smerom k čepeľi.
- **Pred kontaktom s obrobkom nechajte čepeľ dosiahnuť maximálne otáčky.** Tým sa zníži riziko odhodenia obrobku.
- **Ak dôjde k zaseknutiu obrobku alebo čepele, vypnite pokosovú pílu. Počkajte na zastavenie všetkých pohyblivých dielov a odpojte zástrčku zo zdroja napájania a/alebo vyberte súpravu batérií.** Potom zaseknutý materiál uvoľnite. Ak by ste pokračovali v práci so zaseknutým materiálom, mohlo by dôjsť k strate ovládania alebo poškodeniu pokosovej píly.
- **Po dokončení rezu uvoľnite vypínač, hlavu píly držte dolu a počkajte na úplne zastavenie čepele; potom odoberte odrezaný kus.** Naťahovanie rukou do blízkosti otáčajúcej sa čepele je nebezpečné.

## BEZPEČNOSTNÉ POKYNY PRE OSTRIE NA REZANIE DREVA

- Pred používaním pílovej čepele a výrobku si dôkladne prečítajte návod a pokyny.
- Elektrické náradie musí byť v dobrom stave, vreteno musí byť bez deformácií a vibrácií.
- Výrobok nepoužívajte bez nainštalovaných chráničov. Ochranné kryty udržiavajte v dobrom prevádzkovom stave a správne udržiavané.
- Obsluha musí byť primerane vyškolená v oblasti bezpečnostných opatrení, nastavovaní a prevádzkovaní výrobku.
- Pri používaní výrobku vždy noste okuliare a ochranu sluchu. Odporúča sa používať rukavice, pevné nešmyklivé topánky a zásteru.
- Pred použitím akéhokoľvek príslušenstva si pozrite návod na použitie. Nesprávne používanie príslušenstva môže spôsobiť poškodenie a zvýšiť možnosť poranenia.
- Používajte len ostria špecifikované v tomto návode, ktoré spĺňajú normu EN 847-1.
- Dodržiavajte označenie maximálnej rýchlosti na pílovom ostří. Skontrolujte, či rýchlosť vyznačená na pílovom ostří je minimálne rovná rýchlosti vyznačenej na píle.
- Vždy používajte ostria s otvormi na hriadeľ správnej veľkosti a tvaru. Ostria, ktoré nie sú kompatibilné s montážnym technickým vybavením píly, budú bežať excentricky a spôsobia stratu kontroly.
- Nepoužívajte ostria väčšieho alebo menšieho priemeru ako odporúčané. Nepoužívajte žiadne rozpierykky umožňujúce prispôsobenie ostria do vretena.
- Pred každým použitím skontrolujte, či nie sú hroty zubov

|           |
|-----------|
| EN        |
| FR        |
| DE        |
| ES        |
| IT        |
| NL        |
| PT        |
| DA        |
| SV        |
| FI        |
| NO        |
| RU        |
| PL        |
| CS        |
| HU        |
| RO        |
| LV        |
| LT        |
| ET        |
| HR        |
| SL        |
| <b>SK</b> |
| BG        |
| UK        |
| TR        |
| EL        |





pílového kotúča poškodené alebo príliš nevystupujú. Hroty, ktoré sú poškodené alebo uvoľnené, môžu pri použití odletieť a zvýšiť riziko zranenia osôb.

- Nepoužívajte prasknuté alebo porušené pílové kotúče. Nepoužívajte poškodené alebo deformované pílové kotúče.
- Ak je pílový kotúč poškodený, deformovaný, pokrivený alebo prasknutý, vyhodte ho do šrotu; oprava je zakázaná.
- Nepoužívajte ostria HSS.
- Pred používaním skontrolujte, že pílová čepeľ je správne namontovaná, a dôkladne utiahnite upínaciu maticu (uťahovací moment približne 12 až 15 Nm).
- Upínacia skrutka a matica sa musia uťahovať správnym kľúčom atď.
- Uvoľnenie alebo dotiahnutie skrutky údermi kladiva na skrutkovač je zakázané.
- Dbajte na to, aby všetky ostria a príruby boli čisté a zapustené strany objímky boli oproti ostriu.
- Skontrolujte, či sa ostrie otáča v správnom smere.
- Pred započatím práce vykonajte skúšobný rez so zapnutým motorom, na kontrolu polohy ostria, funkčnosti ochranných krytov vzhľadom na ostatné súčasti stroja a obrobku.
- Výrobok nikdy nenechávajte bez dohľadu.
- Na ostrie nenanášajte mazivá počas behu.
- Nikdy nevykonávajte čistenie alebo údržbu, keď je stroj ešte spustený a hlava nie je v pokojovej polohe.
- Nikdy sa nepokúšajte rýchlo zastaviť stroj v pohybe tak, že zaseknete nástroj či iný predmet do ostria – takýmto spôsobom môže neúmyselne dôjsť k závažným poraneniam.
- Pred výmenou čepelí alebo pred vykonávaním údržby odpojte výrobok od elektrickej siete alebo vyberte súpravu batérií.
- Pri rozbaľovaní a balení ostria buďte opatrní, môžete sa ľahko poraniť ostrými hrotmi ostria.
- Pri manipulácii s pílovým ostrím používajte držiak ostria alebo rukavice.
- Ostrie uchovávajte a skladujte v pôvodnom balení či inom vhodnom obale, skladujte ho v suchom prostredí a mimo chemikálií, ktoré ho mohli poškodiť.

#### AKUMULÁTOR – BEZPEČNOSTNÉ VÝSTRAHY

- Obrobok vždy bezpečne a pevne upnite.
- Zabezpečte, aby bolo zariadenie vždy stabilné a zaistené (napr. upevnené k stolu).
- Používajte chrániče sluchu. Vystavovanie hluku môže spôsobiť stratu sluchu.
- Pri používaní výrobku vždy noste ochranné okuliare. Odporúča sa pri manipulácii s ostriami a rezavými materiálmi používať rukavice plus pevnú nešmykľavú obuv na ochranu chodidiel pred obrobkami, ktoré môžu odpadávať z priestoru rezania.
- Pred vykonávaním údržby alebo čistením výrobku odpojte výrobok z elektrickej siete alebo z neho vyberte súpravu batérií.
- Súpravu batérií inštalujte len do vypnutého výrobku.

- Nikdy nesiahajte do priestoru v blízkosti ostria, kým sa ostrie úplne nezastaví.
- Pred použitím dôkladne skontrolujte výrobok a súpravu batérií, či nevykazujú akékoľvek poškodenie alebo únavu materiálu. Opravy celého výrobku smie vykonávať len autorizované servisné stredisko.
- Na výrobku vždy používajte chrániče. Výrobok nepoužívajte, ak nie sú chrániče v správnej polohe alebo ak nefungujú správne.
- Spodný chránič čepele by mal byť otvorený, len ak je čepeľ znížená k obrobku, a musí sa vždy voľne pohybovať a automaticky zatvárať.
- Obrobok počas činnosti vždy upevnite a používajte predlžovacie tyče.
- Výrobok ani jeho funkcie nikdy nepozmeňujte ani neupravujte. Môže dôjsť k narušeniu vašej bezpečnosti.
- Nepoužívajte prasknuté, poškodené alebo deformované pílové ostria.
- Nepoužívajte pílové kotúče vyrobené z vysokorychlostnej ocele.
- Používajte len ostria, ktoré sú ostré. Tupé ostria vymeňte.
- Vždy používajte ostria s otvormi na hriadeľ správnej veľkosti a tvaru. Ostria, ktoré nie sú kompatibilné s montážnym technickým vybavením píly, budú bežať excentricky a spôsobia stratu kontroly.
- Používajte len čepele určené na prácu s drevom, ktoré vyhovujú norme EN 847-1.
- Na zaistenie ostria píly nepoužívajte žiadne iné príruby, podložky ani matice okrem dodaných alebo uvedených v návode.
- Je nevyhnutné vybrať taký pílový kotúč, ktorý je vhodný pre rezaný materiál. Tento výrobok nepoužívajte na rezanie iných materiálov, než aké sú uvedené v časti o určenom používaní v tomto návode.
- Je dôležité predísť prehrievaniu a roztopeniu plastov počas rezania.
- Je dôležité dodržiavať maximálne otáčky uvedené na pílovej čepeľi a používať pílovú čepeľ označenú otáčkami, ktoré sú rovnaké alebo vyššie ako otáčky vyznačené na náradí.
- Keď je vložka taniera opotrebovaná alebo poškodená, vymeňte ju.
- Pred započatím práce vykonajte skúšobný rez so zapnutým motorom, na kontrolu polohy ostria, funkčnosti ochranných krytov vzhľadom na ostatné súčasti stroja a obrobku.
- Pri vykonávaní šikmých, pokosových alebo zložených pokosových rezov upravte posuvnú zábranu alebo pomocnú zábranu tak, aby sa dosiahla správna vzdialenosť od čepele.
- Pri preprave výrobku musí byť vždy zaradený zámok na rúčke.
- Z podlahy odstraňujte uvoľnený materiál, napr. triesky a odrezky.
- Neodstraňujte žiadne odrezky ani iné časti obrobku z oblasti rezania, kým je zariadenie spustené a hlava píly nie je v pokojovej polohe.







- Dlhé obrobky musia byť vhodne podoprené. Pracovný priestor píly zahrňuje celý rozsah obrobku. Obsluhujúci musí zabezpečiť tento priestor pred náhodným kontaktom od ostatných osôb alebo objektov, ktoré môžu posunúť obrobok počas operácie.
- Prach vznikajúci pre používaní tohto výrobku môže byť škodlivý pre zdravie. Používajte systém na odsávanie prachu a noste vhodnú masku na ochranu pred prachom. Dôkladne odstráňte usadený prach, napr. pomocou vysávača.
- Nevymieňajte laser za iný typ. Akékoľvek opravy musia byť vykonávané výhradne výrobcom alebo zástupcom autorizovaného servisu.
- Rozsah okolitej teploty počas prevádzkovania náradia je 0 °C až 40 °C.
- Rozsah okolitej teploty počas skladovania náradia je 0 °C až 40 °C.
- Odporúčaný rozsah okolitej teploty pre nabíjací systém počas nabíjania je 10 °C až 38 °C.

### PREPRAVA LÍTOVÝCH AKUMULÁTOROV

Akumulátor prepravuje v súlade s miestnymi smernicami a nariadeniami.

Keď akumulátory prepravuje tretia strana, dodržiavajte všetky požiadavky na balení a označení. Zabezpečte, aby počas prepravy akumulátory neprišli do kontaktu s inými akumulátormi ani vodivými materiálmi – chráňte obnažené konektory pomocou izolácie, nevodivými viečkami alebo páskou. Neprepravujte akumulátory, ktoré sú prasknuté alebo vytekajú. Ďalšie pokyny zistíte u nasledujúcej spoločnosti.

### DOPLNKOVÉ BEZPEČNOSTNÉ VÝSTRAHY PRE BATÉRIU

#### VAROVANIE

Aby ste zabránili nebezpečenstvu požiaru spôsobeného skratom, poraneniam alebo poškodeniam výrobku, neponárajte náradie, výmennú batériu alebo nabíjačku do kvapalín a postarajte sa o to, aby do zariadení a akumulátorov nevnikli žiadne tekutiny. Korodujúce alebo vodivé kvapaliny, ako je slaná voda, určité chemikálie a bieliace prostriedky alebo výrobky, ktoré obsahujú bielicidlo, môžu spôsobiť skrat.

- Rozsah okolitej teploty počas používania batérie je 0 °C až 40 °C.
- Rozsah okolitej teploty počas skladovania batérie je 0 °C až 20 °C.

### BEZPEČNOSŤ PRI PRÁCI S LASEROM

- Vyžarovanie laserového navádzania použitého v píle je Trieda 2 s maximálnym výkonom ≤1mW a vlnovou dĺžkou 650 nm. Nepozerajte priamo do laserového lúča. Pri nedodržovaní týchto pravidiel by mohlo dôjsť k vážnemu poraneniu osôb.
- Počas činnosti nepozerajte do lúča.
- Nesviette laserovým lúčom priamo do očí iných osôb. Mohlo by dôjsť k vážnemu poraneniu očí.

- Nepracujte s laserom v polohe, pri ktorej by sa mohol niekto, či už úmyselne alebo neúmyselne, pozrieť do laserového lúča.
- Nepoužívajte optické nástroje na zobrazenie laserového lúča.
- Nepoužívajte laser v blízkosti detí ani nedovoľte deťom pracovať s laserom.
- Nepokúšajte sa opravovať laserové zariadenie sami.
- Nepokúšajte sa sami vymieňať žiadne diely laserového zariadenia.
- Akékoľvek opravy môže vykonávať len výrobca lasera alebo autorizovaný servisný pracovník.
- Nevymieňajte laser za iný typ.

### ZVYŠKOVÁ RIZIKOVOSŤ

Aj keď sa nástroj používa podľa predpisu, nie je možné eliminovať určité zvyškové rizikové faktory. Pri použití vznikajú nasledujúce riziká a obsluhujúca osoba musí venovať zvláštnu pozornosť, aby nedošlo k nasledovnému:

- Riziko kontaktu následkom nezakrytých častí rotujúceho pílového ostria.
  - Spätný náraz obrobkov a častí obrobkov v dôsledku nesprávnej manipulácie.
  - Vymrštenie úlomkov chybného karbidu z pílového ostria.
  - Hrozí poškodenie respiračného systému.
- POZNÁMKA:** Používajte dýchacie masky obsahujúce filtre vhodné pre obrábané materiály. Zabezpečte primerané vetranie pracoviska. Na pracovisku nejedzte, nepite ani nefajčite.
- Poškodenie sluchu pri nepoužívaní účinnej ochrany sluchu.

#### VAROVANIE

Prach z niektorých farieb, náterov a materiálov môže spôsobiť podráždenie alebo alergické reakcie dýchaciemu systému. Prach z dreva, napríklad dubu, buku MDF a iných, je karcinogénny. S materiálom obsahujúcim azbest môžu manipulovať alebo ho spracovávať len kvalifikovaní obsluhujúci – špecialisti.

#### VAROVANIE

Dlhodobé používanie nástroja môže spôsobiť alebo zhoršiť poranenia. Pri používaní nástroja príliš dlhé obdobia si vždy dajte pravidelné prestávky.

### OBOZNÁMTE SA S VAŠIM PRODUKTOM

Vid' strana 215.

1. Rúčka, izolovaný povrch na držanie
2. Hlavný spínač
3. Rukoväť bezpečnostného zámku
4. Horný kryt
5. Čepel píly
6. Spodný kryt
7. Hlavná bariéra
8. Točňa





9. Základňa
10. Vložka taniera
11. Rukoväť zámku točne
12. Vyvažovacia nožička
13. Tyč proti prevráteniu
14. Spínač lasera
15. Horná rúčka, izolovaný povrch na držanie
16. Príruba
17. Zarážka konzoly
18. Poistná páčka pre šikmý uhol
19. Upínač
20. Posuvná bariéra
21. Montážny otvor
22. Predlžovacia tyč
23. Skrutky na zaistenie hlavného vodidla
24. Tlačidlo blokovania vretena
25. Súprava batérie
26. Vrecko na prach
27. Nastavovací otočný gombík hĺbky rezania
28. Zarážka maximálnej hĺbky rezania
29. Tlačidlo zarážky lineárnej tyče
30. Skrutky na nastavenie zarážky limitu uhla úkosu
31. Šesthranný kľúč

## PREVÁDZKA

Produkt je vybavený pohyblivým ostrím píly, ktoré možno nastaviť do rôznych uhloch uhlov obsluhujúcou osobou pri rezaní obrobku, ktorý je bezpečne pripravený k základni produktu. Zariadenie môže obsluhovať len jedna osoba, aby nedošlo k neúmyselnému kontaktu s pohybujúcim sa ostrím píly.

Princípy bezpečnej prevádzky produktu:

- Pílu, ostria a pracovný priestor udržiavajte v dobrom prevádzkovom stave.
- Základňu úkosovej píly zaistite k pevnému pracovnému stolu. Keď produkt nie je bezpečne zaistený, môže sa posunúť a prevrhnúť.
- Nastavte a uzamknite rezacie uhly a hĺbku pred vykonaním rezu.
- Zaistite obrobok k základni úkosovej píly. Pomocou pribalenej svorky a podľa potreby pomocou ďalších svoriek alebo pridržiavacích mechanizmov zabráňte neúmyselnému pohybu obrobku pri rezaní.
  - Skontrolujte, či činnosť krytov ostria nie je obmedzovaná polohou obrobku.
  - Dbajte na to, aby pri klesaní ostria do rezacej polohy nedošlo k zarezaniu do bariéry či iných dielov.
- Spustíte motor a počkajte, kým ostrie nedosiahne maximálnu rýchlosť a až potom ho pomaly spúšťajte do obrobku. Na vykonanie potrebného rezu posuňte zostavu čepele dozadu.
- Nechajte jednotku ostria zdvihnúť sa do jej hornej polohy, kde sú kryty ostria úplne zatvorené. Predtým, ako odstránite obrobok alebo odrezky alebo ako siiahnete do priestoru ostria, vypnite motor a počkajte, kým sa ostrie úplne nezastaví.

Pred prvým použitím skontrolujte, či sa uhol sklonu alebo úkosu nastavený na produkte zhoduje s uhlom, ktorý chcete dosiahnuť na obrobku. Toto skontrolujte na odpadovom kuse dreva pomocou tesárskej sady alebo

úkosného uholníka.

## VAROVANIE

Výrobca dôrazne odporúča produkt vždy bezpečne namontovať k doske stola.

Ak je základňa výrobku pevne, pomocou štyroch matíc, skrutiek a podložiek a podľa pokynov pripavená k doske stola, výrobok možno používať s maximálnym nastavením pre sklon a pokos bez možnosti jeho prevrnutia. Pokiaľ produkt nie je bezpečne zaistený, pri veľkých uhloch úkosu sa môže prevážiť.

Na prednej časti úkosnej píly sa nachádza výsuvná tyč, ktorú treba vytiahnuť na maximálny rozsah. Tým zabránite úkosnej píle pred prevážením.

Nachádza sa tam aj nastaviteľná skrutka (vyvažovacia nožička), ktorá vyčnieva zo spodnej časti predlžovacej točne. Túto skrutku treba nastaviť tak, aby sa dotýkala plochého povrchu, na ktorom produkt spočíva. Tým sa tiež zabráni produktu prevážiť sa pri rezaní na plnom vysunutí a sklone. Pozor, táto časť taniera píly sa pohybuje, keď sú zvolené iné uhly úkosu, takže skrutky je potrebné často upravovať a znovunastavovať.

## ÚDRŽBA

- Produkt žiadnym spôsobom neupravujte ani nepoužívajte príslušenstvo, ktoré neschválil výrobca. Môže dôjsť k narušeniu bezpečnosti vás i iných osôb.
- Produkt nepoužívajte, ak akékoľvek spínače, ochranné kryty či iné funkcie nefungujú podľa ich účelu. Odovzdajte zariadenie do autorizovaného servisného centra na profesionálnu opravu alebo úpravu.
- Kým sa ostrie pohybuje, nevykonávajte žiadne nastavenia.
- Pred vykonávaním nastavení, mazania alebo akejkoľvek údržby výrobku vždy z výrobku vyberte súpravu batérií.
- Pred a po každom použití skontrolujte, či produkt nie je poškodený alebo nemá zlomené diely. Produkt udržiavajte v špičkovom prevádzkovom stave – okamžite vymeňte súčasti za náhradné diely schválené výrobcom.
- Čepeľ má ostré hrany a po činnostiach rezania môže byť horúca. Pri čistení nechránenej čepele dávajte maximálny pozor. Na ochranu pred osobným poranením noste rukavice.
- Pílu a jej príslušenstvo pravidelne čistíte od prachu, hlavne pohyblivé diely a chránič čepele. Na účinné odstránenie prachu používajte ručnú kefu alebo vysávač. Nepoužívajte stlačený vzduch.
- Na zabezpečenie bezpečnosti a spoľahlivosti musí všetky opravy, vrátane výmeny kefiiek, vykonávať autorizované servisné centrum.



### VAROVANIE

Nepokúšajte sa rozbrať zostavu chrániča čepele na účel čistenia alebo opravy. Poškodené chrániče sa nesmú používať. Na vykonanie opravy alebo výmeny ich zanezte do autorizovaného servisného strediska.

### VAROVANIE

Pre vyššiu bezpečnosť a spoľahlivosť sa musia všetky opravy vykonávať v autorizovanom servisnom centre.

### Kalibrácia pokosového a šikmého uhla

Ak je potrebné vykonať kalibráciu pokosového a šikmého uhla, pozrite si strany 236 až 242 a postupujte podľa pokynov na vykonanie kalibrácie.

### Zarážka maximálnej hĺbky rezania

Zarážka maximálnej hĺbky rezania slúži na zabránenie ostria píly pred zarezaním do kovovej základne jednotky.

### VAROVANIE

Zarážka maximálnej hĺbky rezania nie je nastaviteľná užívateľom. Neupravujte zarážku maximálnej hĺbky rezania.

### PREPRAVA A SKLADOVANIE

- Pri skladovaní vyberte z výrobku súpravu batérií. Odložte zariadenie na bezpečné miesto, na ktoré nemajú prístup deti.
- Pred uskladnením vyčistite produkt pomocou kefy alebo vysávača.
- Ak odstránite ostrie píly alebo nechávajte náhradné diely na jednotke, dbajte na to, aby boli v originálnom balení, aby nedošlo k poraneniu.

### Zaistenie produktu pred presúvaním:

- Produkt je potrebné skladovať s nulovým uhlom úkosu a sklona a uzamknutý v polohe. Skiz musí byť uzamknutý. Rukoväť je potrebné uzamknúť do spodnej (bezpečnej) polohou s uzavretými krytmi.
- Kvôli jednoduchšiemu prenášaniu možno jedno alebo obe strany predlžovacích tyčí odobrať.

### Presúvanie alebo prevoz vo vozidle:

- Produkt pred presúvaním zaistíte podľa popisu v tomto návode.
- Odstráňte produkt z dosky stola uvoľnením 4 maticových skrutiek, každá v jednom rohu. Maticové skrutky zaistíte pre budúce použitie. Produkt zdvihajte za rukoväť vo vrchnej časti.
- Pri zdvíhaní do výšky sú potrebné na zdvihnutie základne produktu dve osoby, ktoré majú odolné rukavice.
- Pre prepravu vo vozidle nainštalujte produkt na jeho základňu a zaistíte pred posunutím.

### OCHRANA ŽIVOTNÉHO PROSTREDIA



Surové materiály recyklujte, nelikvidujte ich ako odpad. Stroj, príslušenstvo a obaly by sa mali triedene recyklovať spôsobom šetrným k životnému prostrediu.

### SYMBOLY NA PRODUKTE



Buďte ostražití



Zhoda CE



Euroázijská značka zhody



Ukrajinské označenie zhody



Pred zapnutím zariadenia si prosím prečítajte inštrukcie



Noste ochranu sluchu



Vždy používajte chrániče zraku.



Ruky nedávajte do blízkosti oblasti rezania a ostria.



Nevystavujte dažďu ani nepoužívajte vo vlhkom prostredí.



Používajte ochranné rukavice



Smer otáčania čepele (uvedený na prílohe čepele)



Smer otáčania ostria (vyobrazené na kryte ostria)



Šírka rezu čepele (zárez)



Počet zubov tejto pílovej čepele



Kapacita rezania



Na rezanie dreva a podobných materiálov



Nie na rezanie kovov



Laserové vyžarovanie.  
Nepozerajte priamo do lúča.  
Laserový produkt Triedy 2



Opotrebované elektrické zariadenia by ste nemali odhadzovať do domového odpadu. Prosíme o recykláciu ak je možné. Kontaktujte miestne úrady, alebo predajcu pre viac informácií ohľadom ekologického spracovania.

## SYMBOLY V NÁVODE



Zamknuté



Odomknuté



Uzamykací mechanizmus nefunguje



Diely alebo príslušenstvo predávané samostatne



Poznámka



Varovanie

Nasledujúce značky a významy vysvetľujú úroveň rizika spojeným s výrobkom.

### **NEBEZPEČENSTVO**

Označuje bezprostredne nebezpečnú situáciu, ktorá, ak jej nepredídete, spôsobí usmrtenie alebo vážne poranenie.

### **VAROVANIE**

Označuje potenciálne nebezpečnú situáciu, ktorá, ak jej nepredídete, môže spôsobiť usmrtenie alebo vážne poranenie.

### **UPOZORNENIE**

Označuje potenciálne nebezpečnú situáciu, ktorá, ak jej nepredídete, môže spôsobiť menšie alebo stredne závažné poranenie.

### **UPOZORNENIE**

(Bez výstražnej značky s výkričníkom) Označuje situáciu, ktorá môže zapríčiniť škody na majetku.



Безопасността, работните характеристики и надеждността имат най-висок приоритет при проектирането на Вашия циркуляр за рязане под ъгъл.

## ПРЕДНАЗНАЧЕНИЕ

Циркулярът за рязане под ъгъл е предназначен за отрязване на масивно и лепено дърво, материали подобни на дърво, с или без залепен фурнир и пластмаси.

Продуктът е предназначен да се използва само от възрастни оператори, които са прочели ръководството с инструкции и разбират рисковете и опасностите.

Продуктът е проектиран да бъде фиксиран в основата си на твърд плот. Ако основата не е здраво закрепена, цялата машина може да се премести по време на операции за рязане, което увеличава възможността от сериозни наранявания.

Циркулярът за рязане под ъгъл е предназначен за направа на конусни и наклонени срязвания. Възможностите за различни рязания са предвидени в спецификациите в това ръководството на циркуляра за рязане под ъгъл.

Продуктът трябва да се използва на сухи места, с отлично осветление на обкръжаващата среда и подходяща вентилация.

Продуктът е предназначен за потребителска употреба, трябва да се използва само както е описано по-горе и не е предназначен за други цели.

## ОСНОВНИ ПРЕДУПРЕЖДЕНИЯ ЗА БЕЗОПАСНОСТ ПРИ РАБОТА С ЕЛЕКТРИЧЕСКИ ИНСТРУМЕНТИ

### ▲ ПРЕДУПРЕЖДЕНИЕ

**Прочетете всички предупреждения за безопасност инструкции, илюстрации и спецификации, предоставени с този електрически инструмент.** Неспазването на инструкциите, изброени по-долу, може да доведе до електрически удар, пожар и/или тежки физически травми.

Съхранявайте всички предупреждения и инструкции за бъдещи справки. Терминът "електрически инструмент" в предупрежденията се отнася за вашия инструмент - със захранване от електрическата мрежа (с кабел) или на батерия (безжичен).

## БЕЗОПАСНОСТ НА РАБОТНАТА ЗОНА

- **Поддържайте работното пространство чисто и добре осветено.** Безпорядъкът или тъмнината в работното пространство са предпоставка за злополуки.
- **Не използвайте електрически инструменти в експлозивни среди, например в присъствието на запалителни течности, газове или прах.** По време на работа електрическите инструменти произвеждат искри, които могат да възпламенят прах или пари.
- **Дръжте децата и страничните наблюдатели**

**далече, докато боравите с електрически инструмент.** Ако вниманието ви бъде отклонено, може да загубите контрола над електрическия инструмент.

## ЕЛЕКТРИЧЕСКА БЕЗОПАСНОСТ

- **Щепселът на електрическия инструмент трябва да е съвместим с контакта. В никакъв случай не внасяйте изменения в конструкцията на щепсела.** Когато работите със занулени електрически инструменти, не използвайте адаптери за щепсела. Използването на оригиналните щепсели и контакти намалява риска от токов удар.
- **Избягвайте допир със заземени повърхности, като тръби, радиатори, печки и хладилници.** Когато тялото ви е заземено, рискът от възникване на токов удар е по-голям.
- **Не излагайте продукта на дъжд или влажни условия.** Проникването на вода в електрическия инструмент повишава опасността от токов удар.
- **Не насилвайте захранващите кабел.** Никога не носете, не изключвайте и не дърпайте електрическия инструмент за кабела. Предпазвайте кабела от нагриване, омасляване, допир до остри ръбове или до подвижни звена на машини. Повредените или усукани кабели увеличават риска от токов удар.
- **Когато работите с електрически инструмент на открито, използвайте само удължителни кабели, предназначени за работа на открито.** Използването на удължител, предназначен за работа на открито, намалява риска токов удар.
- **Ако не можете да избегнете използването на електрически инструмент на влажно място, използвайте RCD (прекъсвач със защитно изключване).** Използването на RCD намалява опасността от електрически удар.

## ЛИЧНА БЕЗОПАСНОСТ

- **Бъдете бдителни, внимавайте какво правите и проявявайте благоразумие, когато боравите с електрически инструмент.** Не използвайте електрическия инструмент, когато сте уморени или под влиянието на наркотични вещества, алкохол или лекарства. Миг невнимание, докато боравите с електрически инструмент, е достатъчен за получаването на сериозни наранявания.
- **Използвайте лична защитна екипировка.** Винаги носете защитни очила. Защитната екипировка, като маска против прах, пригодени против плъзгане защитни обувки, твърда шапка или антифони, използвани за подходящите условия, ще намали опасността от физически наранявания.
- **Не допускате нежелано стартиране.** Преди да вдигате или носите инструмента и преди да го включвате в електрическата мрежа и/или батерия, винаги проверявайте дали превключателят е на позиция OFF (изкл). Носенето на инструмента с пръст върху превключателя или включването му към електричеството, докато превключателят му е на





включен, е предпоставка за злополуки.

- **Махнете всички гаечни или френски ключове за настройка преди да включите инструмента.** Помощен инструмент, забравен на въртящ се елемент, може да доведе до физически наранявания.
- **Не се протягайте, за да работите на трудно достижими места.** Винаги стъпвайте стабилно по време на работа и пазете равновесие. Това дава възможност за по-добър контрол над електрическия инструмент в неочаквани ситуации.
- **Обличайте се целесъобразно.** Не носете широки дрехи или украшения. Пазете косата и дрехите си далеч от движещите се части. Широките дрехи, украшенията, дългите коси могат да бъдат захванати и увлечени от движещи се елементи.
- **Ако устройствата са оборудвани със съоръжение за издърпване и събиране на прах, уверете се, че е то свързано и функционира правилно.** Използването на устройството за събиране на прах ще намали рисковете, свързани с работа в прашни условия.
- **Не позволявайте опита ви с често използване на инструменти да ви направи прекалено самоуверени и да ви накара да игнорирате принципите за безопасност.** Едно небрежно действие може да доведе до сериозно нараняване в рамките само на секунда.

## ИЗПОЛЗВАНЕ И ОБСЛУЖВАНЕ НА ЕЛЕКТРИЧЕСКИЯ ИНСТРУМЕНТ

- **Не насилвайте продукта.** Използвайте електрическия инструмент, съобразно неговото предназначение. Правилно подбраният електрически инструмент ще свърши работата по-добре и по-безопасно в зададения от производителя диапазон на натоварване.
- **Не използвайте електрически инструменти, чито пусков прекъсвач е повреден.** Електрически инструмент, който не може да бъде контролиран посредством превключател, е опасен и трябва да бъде ремонтиран.
- **Изключете щепсела от захранващия източник и/или извадете акумулаторната батерия от електрическия инструмент, ако е демонтируема, преди извършване на каквито и да са настройки, смяна на принадлежности или съхраняване на електрически инструменти.** Тази мярка премахва опасността от задействане на електрическия инструмент по невниманию.
- **Съхранявайте незаетите електрически инструменти на недостъпни за деца места и не позволявайте на лица, непознати с инструмента или с тези указания, да боравят с него.** Когато са в ръцете на неопитни потребители, електрическите инструменти могат да бъдат изключително опасни.
- **Поддържайте в добро състояние електрическите инструменти и техните принадлежности.** Проверявайте за неизправности или заклиняване в подвижните елементи, за счупени части или

други обстоятелства, които могат да влошат работата на електрическия инструмент. Преди да използвате електрическия инструмент, се погрижете повредите да бъдат отстранени. Много от трудовите злополуки се дължат на недобре поддържани електрически инструменти.

- **Поддържайте режещите инструменти винаги добре заточени и чисти.** Инструменти, за които е полагана правилна грижа и са с добре наточени режещи елементи, се управляват по-лесно и вероятността да заядат е по-малка.
- **Използвайте електрическите инструменти, принадлежностите и режещите и др. части съобразно тези указания, като се съобразявате с работните условия и с работата, която ще извършвате.** Използването на електрически инструменти за различни от предвидените от производителя приложения повишава опасността от възникване на трудови злополуки.
- **Поддържайте ръкохватките и повърхностите за захващане сухи, чисти и неомаслени.** Хлъзгавите ръкохватки и повърхности за захващане не дават възможност за безопасно управление и контролиране на инструмента при възникване на неочаквани ситуации.

## ИЗПОЛЗВАНЕ И ОБСЛУЖВАНЕ НА ИНСТРУМЕНТА С БАТЕРИЯ

- **Презареждайте единствено със зарядното устройство, посочено от производителя.** Зарядно устройство, подходящо за зареждане на един вид батерия, може да предизвика риск от пожар, ако бъде използвано за други батерии.
- **Използвайте електрически инструменти с батерия единствено със специално предназначение за тях батерии.** Използването на всякакви други батерии може да създаде риск от нараняване и пожар.
- **Когато батерията не се използва, съхранявайте я далеч от други метални обекти, като например кламери, монети, ключове, гвоздеи, гайки или други малки метални обекти, които могат да направят връзка между клемите.** Късото съединение от клемите може да доведе до изгаряния или пожар.
- **При неправилно използване батерията може да отдели течност; избягвайте контакт.** Ако случайно настъпи контакт, промийте с вода. Ако течността влезе в контакт с очите, потърсете допълнително медицинска помощ. Отделената от батерията течност може да причини възпаление или изгаряния.
- **Не използвайте акумулаторна батерия или инструмент, които са повредени или променени по някакъв начин.** Повредените или променени батерии могат да работят по непредсказуем начин, което да доведе до пожар, взрив или опасност от наранявания.
- **Не излагайте акумулаторната батерия или инструмент на огън или прекалено висока температура.** Излагането на огън или на



температура над 130°C може да причини взрив.

- Следвайте всички инструкции за зареждане и не зареждайте акумулаторната батерия или инструмента извън температурния диапазон, посочен в инструкциите. Неправилното зареждане или зареждането при температури извън посочения диапазон може да повреди батерията и да увеличи риска от пожар.

## СЕРВИЗНО ОБСЛУЖВАНЕ

- Ремонтът на електрическите инструменти трябва да се извършва само от квалифицирани специалисти и само с използването на оригинални резервни части. По този начин се гарантира поддържането на безопасност при работа с електрическия инструмент.
- Никога не обслужвайте повредени акумулаторни батерии. Обслужването на акумулаторните батерии трябва да се извършва само от производителя или от оторизирани доставчици на услуги по обслужване.

## ИНСТРУКЦИИ ЗА БЕЗОПАСНОСТ ЗА ЦИРКУЛЯРИ ЗА РЯЗАНЕ ПОД ЪГЪЛ

- Циркулярите за рязане под ъгъл са предназначени за рязане на дървесина или подобни на дървесина продукти. Те не могат да се използват с абразивни режещи дискове за рязане на железни материали, като напр. щанги, пръти, шипове и др. Абразивният прах води до засядане на движещите се части, като напр. долния предпазител. Искрите от абразивното рязане ще изгорят долния предпазител, вложката с прорез и други пластмасови части.
- Използвайте стеги, за да закрепите работния детайл, когато е възможно. Ако поддържате работния детайл с ръка, винаги трябва да я държите най-малко на 100 mm от двете страни на режещия диск. Не използвайте този циркуляри за рязане на детайли, които са прекалено малки и не могат да се захванат здраво с помощта на стеги или с ръка. Ако ръката ви се намира твърде близо до режещия диск, се увеличава рискът от нараняване при контакт с острието.
- Работният детайл трябва да е неподвижен и захванат или държан както срещу водача, така и срещу масата. Не придвижвайте работния детайл към острието или не режете „свободно“ по никакъв начин. Незахванати или движещи се работни детайли могат да бъдат изхвърлени при високи обороти и да причинят нараняване.
- Натискайте циркуляра през работния детайл. Не дърпайте циркуляра през работния детайл. За да направите разрез, повдигнете режещата глава и я издърпайте над работния детайл, без да режете. След това стартирайте мотора, натиснете режещата глава надолу и натиснете циркуляра през детайла. Ако режете чрез издърпване, това може да повдигне режещия диск над работния детайл и острието да бъде изхвърлено към оператора.

- Никога не поставяйте ръката си на предвидената линия на рязане, независимо от коя страна на острието. Поддържането на детайла „кръстосано“, т.е. ако държите работния детайл отдалеч на острието с лявата си ръка или обратно, е много опасно.
- Не посягайте зад водача с ръка, на по-малко от 100 mm от двете страни на острието, за да отстраните стърготини или поради някаква друга причина, докато острието се върти. Възможно е да не забележите, че ръката ви е близо до въртящото се острие и може да получите сериозно нараняване.
- Проверете работния детайл преди рязане. Ако работният детайл е огънат и изкривен, го захванете с външната, огъната страна към водача. Винаги се уверявайте, че няма луфт между работния детайл, водача и масата по протежение на линията на рязане. Огънати или изкривени работни детайли могат да се усучат или изместят и това може да доведе до засичане на режещия диск по време на рязане. Работния детайл не трябва да има нито пирони, нито други чужди предмети.
- Не използвайте циркуляра, докато не премахнете всички инструменти, стърготини и др. от масата и на нея се намира само работният детайл. Малки отломки, хлабави парчета дърво или други предмети, които влизат в контакт с въртящото се острие, могат да бъдат изхвърлени с голяма скорост.
- Режете само един работен детайл. Ако желаете да работите по няколко детайла едновременно, те не могат да бъдат захванати или стегнати правилно и могат да се изместят или да причинят засядане на острието по време на рязане.
- Преди употреба се уверете се, че циркулярът за рязане под ъгъл е монтиран или поставен върху равна, здрава работна повърхност. Равната и здрава повърхност намалява риска от нестабилност на циркуляра за рязане под ъгъл.
- Планирайте работата си. Всеки път, когато промените настройката на наклона или ъгъла, се уверявайте, че регулируемият водач е настроен правилно, за да поддържа работния детайл и няма да влезе във взаимодействие с острието или предпазната система. Без да включвате инструмента и работния детайл се намира върху масата, направете пълен въображаем разрез, за да се уверите, че дискът няма да влезе във взаимодействие или да среже водача.
- Осигурете достатъчно подпори, като напр. разширения на масата, „магаре“ и др., работен детайл, който е по-широк или по-дълъг от горната страна на масата. Работни детайли, които са по-дълги или по-широки от масата на циркуляра за рязане под ъгъл, могат да се преобърнат, ако не са закрепени. Ако отрязаното парче и работният детайл се преобърне, може да повдигне долния предпазител или да бъде изхвърлен от въртящото се острие.



- **Не използвайте друг човек като заместител за разширение на масата или за допълнителна поддръжка.** Нестабилната поддръжка на работния детайл може да доведе до засядане на острието или до изместване на детайла по време на операцията за рязане, което да дръпне вас и помощника ви към въртящото се острие.
- **Отрязаното парче не трябва да засяда или да се натиска по никакъв начин към въртящия се режещ диск.** Ако е ограничен, т.е. с помощта на ограничители на дължината, отрязаното парче може да бъде захванат от острието и да бъде изхвърлено.
- **Винаги използвайте стеги или приспособление, предназначено за правилна поддръжка на кръгли материали, като напр. пръти или тръби.** Прътите имат тенденция да се търкалят по време на рязане, което води до „захапване“ на острието и издърпване на ръката ви към него.
- **Оставете острието да достигне пълна скорост, преди да влезе в контакт с работния детайл.** Това ще намали риска от изхвърляне на работния детайл.
- **Ако детайлът или дискът се заклини, изключете потапящия циркуляр (превключвателя на „OFF“)** Изчакайте всички движещи се части да спрат и изключете щепсела от електрозахранването и/или извадете акумулаторната батерия. След това освободете заклинения материал. Продължителното рязане при заседнал работен детайл може да причини загуба на контрол или повреда на циркуляра за рязане под ъгъл.
- **След като завършите разреза, освободете превключвателя, задръжте режещата глава надолу и изчакайте острието да спре, преди да махнете отрязаното парче.** Приближаването на ръката ви до острието е опасно.
- Използвайте само остриета, посочени в настоящото ръководство, които са в съответствие с EN 847-1.
- Наблюдавайте максималната скорост, отбелязана на острието на триона. Уверете се, че скоростта, отбелязана на острието на триона, е поне равна на скоростта, отбелязана на триона.
- Винаги използвайте циркулярни дискове с правилен размер и форма на отворите за вала. Остриета, които не съответстват на монтажната рамка на триона, ще работят ексцентрично, причинявайки загуба на контрол.
- Не използвайте остриета с по-голям или с по-малък диаметър от препоръчителния. Не използвайте разделители, за да напаснете острието върху шпиндела.
- Проверявайте върховете на циркулярното острие за повреда и необичаен външен вид преди всяка употреба. Върховете, които са повредени или хлабави, могат да се превърнат в летящи предмети при употреба и да увеличат възможността от физически наранявания.
- Не използвайте пукнати или изкривени циркулярни остриета. Не използвайте циркулярни остриета, които са повредени или деформирани
- Изхвърлете циркулярното острие, ако е повредено, деформирано, изкривено или пукнато; не е разрешен ремонт.
- Не използвайте остриета от бързорезеща стомана.
- Уверете се, че циркулярният диск е правилно монтиран, затегнете надеждно гайката на вала преди използване (момент на затягане припл. 12-15 Nm).
- Винтовете и гайките за закрепване трябва да се затягат с помощта на подходящ ключ и т.н.
- Не се разрешава удължаване на ключа или затягане с чук.
- Уверете се, че острието и фланците са чисти, а вдлъбнатите страни на пръстена са срещу острието.
- Уверете се, че острието се върти в правилната посока.
- Преди употреба направете пробен разрез, без да включвате мотора, за да проверите позицията на острието, работата на предпазителите по отношение на други части на машината и работния детайл.
- Никога не оставяйте продукта да работи без надзор.
- Не използвайте лубриканти върху острието, докато се върти.
- Никога не извършвайте дейности по продукта почистване или поддръжка, докато продукта все още работи и главата не е в позиция на покой.
- Никога не се опитвайте да спрете машината при бързо движение чрез заклиняване на инструмента или по друг начин срещу циркулярния диск, по този начин може неволно да бъдат причинени сериозни злополуки.
- Изключете продукта от електрическата мрежа или извадете акумулаторната батерия преди смяна на циркулярните дискове или извършване на

## ИНСТРУКЦИИ ЗА РАБОТА С ОСТРИЕТА ЗА РЯЗАНЕ НА ДЪРВО

- Моля, прочетете ръководството и инструкциите внимателно, преди да използвате острието на триона и електрическия инструмент.
- Изделието трябва да бъде в добро състояние, шпинделът да не е деформиран и да няма вибрации.
- Не използвайте продукта, ако предпазителите не са поставени на място. Дръжте предпазителите в добро състояние за работа и извършвайте подходяща поддръжка.
- Уверете се, че операторът има подходящо обучение за мерки за безопасност, регулиране и работа с машината.
- Винаги носете предпазни очила и антифони, когато използвате машината. Препоръчително е да се носят ръкавици, здрави обувки без подхлъзване и престилка.
- Преди да използвате какъвто и да е аксесоар се консултирайте с ръководството. Неправилната употреба на аксесоар може да причини повреда и да увеличи възможността от нараняване.







поддръжка.

- Обърнете внимание на опаковането и разопаковането на циркулярния диск, лесно е да бъдете наранени от остриете върхове на циркулярния диск.
- Използвайте държач за острие или носете ръкавици, когато работите с циркулярно острие.
- Съхранявайте циркулярния диск в оригиналната опаковка или друга подходяща опаковка, в сухи условия и далеч от химикали, които могат да повредят остриетата.

## ДОПЪЛНИТЕЛНИ ПРЕДУПРЕЖДЕНИЯ ЗА БЕЗОПАСНОСТ

- Винаги стягайте обработвания детайл безопасно и сигурно.
- Уверете се, че машината винаги е стабилна и закрепена (напр. закрепена към тезгях).
- Носете антифони. Излагането на шум може да доведе до увреждане на слуха.
- Винаги носете предпазни очила при използването на машината. Препоръчително е да се носят ръкавици за работа с циркулярни дискове и груб материал, както и здрави обувки без приплъзване, за защита на краката от обработвани детайли, които могат паднат от зоната за рязане.
- Изключете продукта от електрическата мрежа или извадете акумулаторната батерия преди извършване на поддръжка или почистване.
- Поставете акумулаторната батерия само при изключен продукт.
- Никога не посягайте в зоната близо до циркулярния диск, докато той не е напълно спрял.
- Преди употреба проверявайте внимателно продукта и акумулаторната батерия за повреда или износени материали. Ремонтите по целия продукт трябва да се извършват само от упълномощен сервизен център.
- Винаги използвайте предпазните устройства на машината. Не използвайте машината, ако предпазните устройства не са на място и не работят правилно.
- Долният предпазител на острието трябва да се отваря само когато острието е смъкнато до работния детайл и винаги трябва да може да се движи свободно и да се затваря автоматично.
- Винаги фиксирайте и използвайте удължителни пръти за поддръжка на работния детайл по време на работа.
- Никога не модифицирайте продукта или неговото действие. Безопасността Ви може да бъде компрометирана.
- Не използвайте циркулярни дискове, които са напукани, повредени или деформирани.
- Не използвайте циркулярни дискове, изработени от бързорезеща стомана.
- Използвайте само циркулярни дискове, които са остри. Заменяйте затыпените циркулярни дискове.

- Винаги използвайте циркулярни дискове с правилен размер и форма на отворите за вала. Остриета, които не съответстват на монтажната рамка на триона, ще работят ексцентрично, причинявайки загуба на контрол.
- Използвайте само дървообработващи циркулярни дискове, описани в това ръководство, които съответстват на EN 847-1.
- Не използвайте никакви фланци, шайби и гайки за закрепване на циркулярния диск, освен доставените или посочените в ръководството с инструкции.
- Необходимо е да изберете циркулярен диск, който е подходящ за материала, който ще се реже. Никога не използвайте продукта за рязане на материали, различни от посочените в раздела за използване по предназначение в това ръководство.
- Важно е да се избягва прегряване на острието и разтапяне на пластмасата по време на рязане.
- От съществено значение е да се придържате към максималната скорост, посочена на режещия диск. Използвайте само режещи дискове, маркирани със скорост, равна или по-висока от скоростта, маркирана върху инструмента.
- Заменете вложката на масата, когато е износена или повредена.
- Преди употреба направете пробен разрез, без да включвате мотора, за да проверите позицията на острието, работата на предпазителите по отношение на други части на машината и работния детайл.
- Когато се извършват скосявания, рязане под ъгъл или смесени рязания под ъгъл, регулирайте плъзгащия водач или под-водач, за да гарантирате правилния просвет от циркулярния диск.
- Фиксаторът на ръкохватката винаги трябва да бъде заключен при транспортиране на продукта.
- Дръжте областта на пода свободна от насипни материали, като напр. трески и отрязани парчета.
- Избягвайте да премахвате каквито и да е отрязани парчета или други части на обработвания детайл от зоната на рязане, докато машината работи и циркулярната глава не е в положение на покой.
- Дълги обработвани детайли трябва да бъдат подкрепяни адекватно. Работната площ на циркуляра включва целия размер на обработвания детайл. Операторът трябва да обезопаси тази област от случаен контакт с други лица или обекти, които могат да преместят обработвания детайл по време на работа.
- Прахът, произведен при използването на продукта, може да бъде вреден за здравето. Използвайте система за изсмукване на прах и носете подходяща противопроахова маска. Премахвайте напълно отложения прах с прахосмукачка.
- Не сменяйте лазера с различен вид. Всякакви ремонти трябва да се извършват само от производителя или упълномощен сервизен агент.
- Диапазонът на околната температура при работа с инструмента е между 0°C и 40°C.





- Диапазонът на околната температура при съхранение на инструмента е между 0°C и 40°C.
- Препоръчителният диапазон на околната температура при зареждане със зарядната система е между 10°C и 38°C.

### ТРАНСПОРТИРАНЕ НА ЛИТИЕВИ БАТЕРИИ

Транспортирайте батериите в съответствие с местните и национални постановления и разпоредби.

Спазвайте всички специални изисквания за пакетиране и етикетирание, когато транспортирате батерии чрез трето лице. Уверете се, че батериите не влизат в контакт с други батерии или проводими материали по време на транспортиране, като предпазите откритите конектори с изолация, непроводими капачета или лента. Не транспортирайте батерии, които са спукани или текат. Свържете се със следната компания за допълнителен съвет.

### ДОПЪЛНИТЕЛНИ ПРЕДУПРЕЖДЕНИЯ ЗА БЕЗОПАСНОСТ ЗА БАТЕРИЯТА

#### ▲ ПРЕДУПРЕЖДЕНИЕ

За да избегнете опасността от пожар, предизвикана от късо съединение, както и нараняванията и повредите на продукта, не потапяйте инструмента, сменяемата акумулаторна батерия или зарядното устройство в течности и се погрижете в уредите и акумулаторните батерии да не попадат течности. Течностите, предизвикващи корозия или провеждащи електричество, като солена вода, определени химикали, избелващи вещества или продукти, съдържащи избелващи вещества, могат да предизвикат късо съединение.

- Диапазонът на околната температура при използване на батерията е между 0°C и 40°C.
- Диапазонът на околната температура при съхранение на батерията е между 0°C и 20°C.

### ПРАВИЛА ЗА БЕЗОПАСНОСТ ПРИ РАБОТА С ЛАЗЕР

- Лазерното лъчение, използвано в този трион, е от Клас 2 с максимум  $\leq 1\text{mW}$  и дължина на вълните 650 nm. Не се взирайте в лазерния лъч. Несъответствието с правилата може да доведе до сериозни физически наранявания.
- Не се вглеждайте в лъча по време на работа.
- Не насочвайте лазерния лъч директно в очите на другите. Това може да доведе до сериозно нараняване на очите.
- Не поставяйте лазера в позиция, която би могла да накара някой да се вгледа в него волно или неволно.
- Не използвайте оптически инструменти за разглеждане на лазерния лъч.
- Не работете с лазера близо до деца или не позволявайте на деца да го използват.
- Не опитвайте да ремонтирате лазерното устройство

сами.

- Не опитвайте да сменят никакви части на лазерното устройство сами.
- Всички ремонтни дейности трябва да се извършват само от производителя на лазера или оторизиран сервизен представител.
- Не сменяйте лазера с различен вид.

### НЕПРЕДВИДЕНИ РИСКОВЕ

Дори когато продуктът се използва по предназначение, е невъзможно напълно да се ограничи влиянието на определени рискови фактори. Могат да възникнат следните опасности и операторът трябва да обърне особено внимание, за да ги избегне:

- опасност от контакт с незащитени части на въртящия се циркулярен диск
- откат на работни детайли или части от тях поради неправилно регулиране или използване
- изхвърляне на дефектни твърдосплавни върхове от циркулярния диск
- увреждане на дихателната система  
**ЗАБЕЛЕЖКА:** Носете маски за защита на дихателните пътища, които съдържат филтри, подходящи за материалите, които ще бъдат обработвани. Осигурете подходяща вентилация на работното място. Не употребявайте храни, напитки или цигари в зоната на работа.
- увреждане на слуха, ако не се използват ефективни предпазни средства.

#### ▲ ПРЕДУПРЕЖДЕНИЕ

Прах от определени бои, покрития и материали може да причини дразнене или алергични реакции на дихателната система. Прах от дърво, като напр. дъб, бук, MDF и други е канцерогенен. Материал, съдържащ азбест, винаги трябва да бъде обработван от квалифицирани оператори специалисти.

#### ▲ ПРЕДУПРЕЖДЕНИЕ

Продължителното използване на инструмента може да доведе до наранявания или влошаване. При използване на инструмента за продължителни периоди от време правете чести почивки.

### ОПОЗНАЙТЕ ВАШИЯ ПРОДУКТ

Вж. страница 215.

1. Ръкохватка, изолирана повърхност за захващане
2. Силов изключвател
3. Ръкохватка с аварийна блокировка
4. Горен предпазител
5. Режещ диск
6. Долен предпазител
7. Основна направляваща релса
8. Въртяща се маса
9. Основа
10. Вложка на масата
11. Фиксираща ръкохватка на въртящата се маса





12. Уравновесяващ крак
13. Греда срещу обръщане
14. Превключвател за лазера
15. Горна ръчка, изолирана повърхност за захващане
16. Фланец
17. Конзолен фиксатор
18. Фиксиращ лост за ъгъла на наклона
19. Скоба
20. Плъзгаща направляваща
21. Монтажен отвор
22. Удължителен прът
23. Винтове за фиксиране на основния предпазител
24. Бутон за заключване на шпиндела
25. Батерия
26. Торба за прах
27. Копче за настройка на дълбочината на рязане
28. Упор за максималната дълбочина на рязане
29. Фиксиращо копче на линейния прът
30. Винтове за регулиране на граничния изключвател на ъгъла на наклона
31. Ключ шестограм

## РАБОТА

Машината разполага с подвижен циркулярен диск, който може да се настрои на различни ъгли от оператора, когато реже обработвания детайл, който надеждно се фиксира към основата на машината. Тя трябва да се експлоатира само от едно лице, за да се предотврати неволен контакт с движещия се циркулярен диск.

Принципите за безопасна експлоатация на машината са следните:

- Поддържайте циркуляра, циркулярните дискове и работното място в добро състояние.
- Закрепете основата на циркуляра за рязане под ъгъл към масивна работна маса. Машината може да се премести и наклони, ако не е достатъчно закрепена.
- Настройте и фиксирайте ъглите и дълбочината на рязане, преди да направите разреза.
- Закрепете обработвания детайл към основата на циркуляра за рязане под ъгъл. Използвайте доставената скоба и, когато е необходимо, използвайте допълнителни скоби или задържащи механизми, за да предотвратите неволен преместване на обработвания детайл по време на рязане.
  - Проверете дали работата на предпазните устройства на циркулярния диск не е ограничена от положението на обработвания детайл.
  - Уверете се, че направляващата релса и други части на машината няма да бъдат срязани, когато се снижава циркулярния диск към положението за рязане.
- Стартирайте електродвигателя и позволете на циркулярния диск да достигне пълната си скорост, преди бавно да го снижите, за да режете обработвания детайл. Плъзгайте възела на циркулярния диск назад за да завършите разреза, както е необходимо.
- Оставете възела на циркулярния диск да се издигне

до горното си положение, където предпазните устройства на циркулярния диск са напълно затворени. Изключете електродвигателя и оставете циркулярния диск да спре напълно, преди да извадите обработвания детайл или отрязаните парчета, или преди да посегнете към областта на циркулярния диск.

Преди първоначално използване, се уверете, че ъгълът на наклона конуса или на скосяване, установен на машината, съответства на ъгъла, който трябва да се изработи на обработвания детайл. Проверявайте това на излязло от употреба дърво с помощта на дърводелски комплект или ъгълник с ъгли под 45 С.

## ⚠ ПРЕДУПРЕЖДЕНИЕ

Производителят строго препоръчва машината винаги да бъде сигурно монтирана на работната повърхност на работната маса.

Когато основата на машината е сигурно закрепена към работната повърхност на работната маса чрез четири болта, гайки и шайби, машината може да се използва при максимална настройка на ъгъла на наклона и на скосяването без възможност да се преобърне. Ако машината не е правилно закрепена, може излезе от равновесие, когато се избират големи ъгли на наклона. В предната част на основата на циркуляра за рязане под ъгъл има изтегляща се шина, която трябва да се издърпа докрай. Това ще предотврати излизането на циркуляра от равновесие.

Има регулируем винт (уравновесяващ крак), който се изтегля от долната част на въртящата се маса на разширението. Този винт трябва се регулира така, че да допира до плоската повърхност, на която се опира машината. Това също ще предотврати излизане от равновесие на машината при рязане на пълния размер на плъзгане и наклон. Пазете се, тази част на циркулярната маса се премества, когато се избират различни ъгли на скосяване, така че винтовете трябва често да се регулират и връщат в изходно положение.

## ПОДДРЪЖКА

- По никакъв начин не модифицирайте машината и не използвайте принадлежности, които не са одобрени от производителя. Безопасността Ви и тази на другите може да бъде компрометирана.
- Не използвайте машината, ако някои превключватели, предпазни устройства или други функции не работят по предназначение. Занесете izdelieto на упълномощен сервизен център за професионален ремонт или настройка.
- Не правете никакви настройки, докато циркулярният диск е в движение.
- Винаги проверявайте дали акумулаторната батерия е извадена от продукта преди извършване на настройки, смазване, или когато извършвате каквато и да е поддръжка на машината.
- Преди и след всяко използване, проверявайте машината за повреда или счупени части. Съхранявайте машината в перфектно работно



състояние като незабавно заменяте части с резервни части, препоръчани от производителя.

- Ножът има остри ръбове и може също да остане горещ след операциите за рязане. Проявявайте изключително внимание, когато почиствате незащитен нож. Носете ръкавици, за да се предпазите от нараняване.
- Почиствайте редовно циркуляра и неговите принадлежности от прах, особена движещите се части, включително предпазителя на диска. Използвайте ръчна четка или прахосмукачка, за да отстраните праха ефективно. Не използвайте състен въздух.
- За осигуряване на безопасност и надеждност, всички ремонти, включително смяната на четки, трябва да се извършва от упълномощен сервизен център.

#### **⚠ ПРЕДУПРЕЖДЕНИЕ**

Не се опитвайте да разглобявате възела на предпазителя на диска за почистване или ремонтване. Не трябва да се използват повредени предпазители. Изпратете за ремонт или смяна в упълномощен сервиз.

#### **⚠ ПРЕДУПРЕЖДЕНИЕ**

За по-голяма безопасност и надеждност всички ремонти трябва да се извършват от оторизиран сервиз.

#### **Калибриране на циркуляра и ъгъла на наклона**

Ако е необходимо калибриране на циркуляра и ъгъла на наклона, вижте страници 236 – 242 и следвайте инструкциите за калибриране.

#### **Упор за максималната дълбочина на рязане**

Упорът за максималната дълбочина на рязане служи за предотвратяване на рязане от циркулярния диск на металната основа на машината.

#### **⚠ ПРЕДУПРЕЖДЕНИЕ**

Упорът за максималната дълбочина на рязане не е регулируем от потребителя. Не регулирайте упора за максималната дълбочина на рязане.

#### **ТРАНСПОРТИРАНЕ И СЪХРАНЕНИЕ**

- При съхраняване на продукта изваждайте акумулаторната батерия. Съхранявайте продукта на сигурно място, което е недостъпно за деца.
- Почистете продукта с помощта на четка и прахосмукачка, преди да го приберете за съхранение.
- Ако свалите циркулярния диск или съхранявате резервните части с модула, се уверете, че са в оригиналната опаковка, за да се избегнат наранявания.

#### **За да обезопасите машината преди преместване:**

- Машината трябва да се съхранява при нула градуса ъгъл на скосяване и ъгъл на наклона в заключено положение. Направляващата релса трябва да бъде заключена. Ръчката трябва бъде заключена в долно (безопасно) положение със затворени предпазни устройства.
- Едната или двете страни на изтеглящите се шини могат да бъдат свалени за по-лесно пренасяне.

#### **За преместване или транспортиране в превозно средство:**

- Обезопасете машината преди преместване, както е описано в ръководството.
- Свалете машината от работната повърхност на работната маса чрез освобождаване на 4-те болта, по един на всеки ъгъл. Запазете болтовете за бъдеща употреба. Повдигнете машината с помощта на ръчката в горната част.
- Когато издигате на височина, са нужни двама души, които носят защитни ръкавици за тежки условия на експлоатация, за да вдигнат основата на машината.
- При транспортиране в превозно средство, установете машината върху основата ѝ и я закрепете срещу преместване.

#### **ОПАЗВАНЕ НА ОКОЛНАТА СРЕДА**



Рециклиране на суровини, вместо за обезвреждане като отпадък. Машината, допълнителните приспособления и опаковките трябва да бъдат подложени на подходяща преработка за оползотворяване на съдържащите се в тях вторични суровини.

#### **СИМВОЛИ НА ПРОДУКТА**



Предупреждение относно безопасността



CE съответствие



EurAsian знак за съответствие



Украински знак за съответствие



Прочетете инструкциите внимателно, преди да стартирате машината.



Носете антифони



Винаги носете защитни очила.



Дръжте ръцете си далече от зоната на рязане и острието.



Не излагайте на дъжд и не използвайте на мокри места.



Носете предпазни ръкавици



Посока на въртене на циркулярния диск (показан на циркулярния диск)



Посока на въртене на циркулярния диск (показан на предпазното устройство на циркулярния диск)



Ширина на рязане на циркулярния диск (разрез)



Брой на зъбите на този циркулярен диск



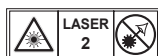
Капацитет на рязане



За рязане на дърво и подобен материал



Не е за рязане на метали



Лазерно лъчение.  
Не се взирайте в лъча.  
Лазерен продукт от Клас 2



Електрическите уреди не трябва да се изхвърлят заедно с битовите отпадъци. Рециклирайте, където има възможност. Обърнете се за съвет по рециклирането към местните власти или разпространителите.



Частите или принадлежностите се продават отделно



Забележка



Предупреждение

Следните сигнални думи и техните съответни значения обясняват нивата на опасност, свързани с употребата на този продукт:

### ОПАСНОСТ

Указва неминуемо опасна ситуация, която ако не бъде избегната, ще доведе до сериозни наранявания или смърт.

### ПРЕДУПРЕЖДЕНИЕ

Указва потенциално опасна ситуация, която ако не бъде избегната, може да доведе до сериозни наранявания или смърт.

### ВНИМАНИЕ

Указва потенциално опасна ситуация, която ако не бъде избегната, може да доведе до дребни или средни наранявания.

### ВНИМАНИЕ

(Без предупредителен символ за безопасност) Указва ситуация, която може да доведе до имуществени щети.

- EN
- FR
- DE
- ES
- IT
- NL
- PT
- DA
- SV
- FI
- NO
- RU
- PL
- CS
- HU
- RO
- LV
- LT
- ET
- HR
- SL
- SK
- BG**
- UK
- TR
- EL

## СИМВОЛИ В НАСТОЯЩОТО РЪКОВОДСТВО



Ключалка



Отключване



Блокираният механизъм не работи



Головними міркуваннями при розробці цієї торцювальної пилки були безпека, ефективність та надійність.

### ПРИЗНАЧЕННЯ

Акумуляторна комбінована торцювальна пилка призначена для розпилювання твердої та пресованої деревини, матеріалів, аналогічних деревині з (або без) шпону та пластику.

Продукт призначений для експлуатації тільки дорослими користувачами, які прочитали інструкцію та розуміють ризики та небезпеку пов'язані з експлуатацією приладу.

Пристрій має бути закріплений на твердій рівній поверхні. Якщо основа не надійно закріплена, вся машина може рухатися під час різання, що збільшує можливість отримання серйозної травми.

Пристрій призначений для обробки косих зрізів та зрізів під кутом. Можливості щодо різновидів зрізів наведено в описі технічних характеристик пристрою в цій інструкції.

Пристрій має використовуватися в сухому середовищі з гарним освітленням та потрібною вентиляцією.

Продукт призначений для побутового використання і повинен використовуватися тільки як описано вище, і не для якихось інших цілей.

### ГОЛОВНІ ПОПЕРЕДЖЕННЯ З БЕЗПЕКИ ЕЛЕКТРОІНСТРУМЕНТУ

#### ⚠ ПОПЕРЕДЖЕННЯ

**Прочитайте всі правила безпеки, інструкції, ілюстрації і специфікації, що поставляються з електроінструментом.** Недотримання всіх зазначених інструкцій може призвести до ураження електричним струмом, пожежі та/або серйозних травм.

**Збережіть всі інструкції і вказівки для майбутнього використання.** Термін "електроінструмент" "в попередженнях відноситься до Вашого мережевого (з кабелем) електроінструменту або з батарейним живленням (бездротового) електроінструменту.

#### БЕЗПЕКА РОБОЧОГО МІСЦЯ

- **Утримуйте робоче місце в чистоті і добре освітленим.** Безлад на робочому місці або темні місця спричиняють аварії.
- **Не використовуйте електроінструменти у вибухонебезпечній атмосфері, наприклад, у присутності легкозаймистих рідин, газів або пилу.** Електричні інструменти створюють іскри, що можуть запалити пил або пари.
- **Тримайте дітей та сторонніх осіб подалі під час роботи електроінструментом.** Відволікання уваги може призвести до втрати контролю.

#### ЕЛЕКТРОБЕЗПЕКА

- **Вилка живлення електроінструменту повинна відповідати розетці. Ніколи не змінюйте вилку. Не використовуйте ніякі вилки-перехідники**

**з заземленими (замкнутими на землю) електроінструментами.** Не змінені вилки та відповідні розетки зменшують ризик ураження електричним струмом.

- **Уникайте контакту тіла з заземленими поверхнями, такими як труби, радіатори, плити та холодильники.** Існує підвищений ризик ураження електричним струмом, якщо ваше тіло заземлене.
- **Не піддавайте електроінструменти впливу дощу або вологих умов.** Вода, що потрапила в електроінструмент збільшує ризик ураження електричним струмом.
- **Не зловжуйте шнур.** Ніколи не використовуйте шнур живлення для перенесення, переміщення або вилучення вилки з розетки. Тримайте шнур подалі від тепла, масла, гострих кромek або рухомих частин. Пошкоджені або заплутані шнури збільшують ризик ураження електричним струмом.
- **При роботі з електроінструментом на вулиці, використовуйте подовжувач, відповідний для використання на відкритому повітрі.** Використання кабелю, придатного для використання на відкритому повітрі, знижує ризик ураження електричним струмом.
- **При роботі з електроінструментом у вологому середовищі використовуйте залишковий поточний пристрій (ЗПП) захищеного живлення.** Використання ЗПП знижує ризик ураження електричним струмом.

#### ОСОБИСТА БЕЗПЕКА

- **Будьте уважні, дивіться, що ви робите, і використовуйте здоровий глузд при роботі з електроприладами.** Не використовуйте електроінструмент, якщо Ви втомилися або перебуваєте під впливом наркотиків, алкоголю або ліків. Найменша необережність при роботі з електроінструментом може призвести до серйозних травм.
- **Використовуйте персональне захисне обладнання.** Завжди надягайте захисні окуляри. Захисне устаткування, наприклад, респіратор, взуття на нековзній підшви, захисний шолом або засоби захисту органів слуху, використовувати в належних умовах, зменшать ризик отримання травми.
- **Запобігайте випадковому запуску.** Переконайтеся, що вимикач знаходиться у вимкненому положенні перед підключенням до джерела живлення та / або акумуляторної батареї, підніманням або переміщенням інструменту. Не переносьте електроінструмент з пальцем на вимикачі або подачею живлення на інструмент, який має перемикач, щоб запобігти нещасного випадку.
- **Перед включенням електроінструменту знімайте регулювальний або гайковий ключ.** Гайковий ключ або регулювальний ключ, залишений на обертаємій частині електроінструменту, може призвести до травми.





|           |
|-----------|
| EN        |
| FR        |
| DE        |
| ES        |
| IT        |
| NL        |
| PT        |
| DA        |
| SV        |
| FI        |
| NO        |
| RU        |
| PL        |
| CS        |
| HU        |
| RO        |
| LV        |
| LT        |
| ET        |
| HR        |
| SL        |
| SK        |
| BG        |
| <b>UK</b> |
| TR        |
| EL        |

- **Не тягніться. Зберігайте правильну стійку і баланс весь час.** Це дозволяє краще контролювати інструмент в несподіваних ситуаціях.
- **Одягайтеся правильно. Не носіть вільний одяг або прикраси. Тримайте волосся та одяг далі від частин пристрою, що рухаються.** Вільний одяг, прикраси або довге волосся можуть потрапити в рухомі частини.
- **Якщо є пристрої для підключення для збору пилу, переконайтеся, що вони під'єднані і використовуються правильно.** Використання пилозбірника знижує небезпеку, пов'язану з запиленістю.
- **Не дозволяйте звичці від частого використання пристрою стати причиною втрати пильності та не ігноруйте правила безпеки під час роботи з пристроєм.** Необережні дії можуть стати причиною серйозного травмування менш ніж за секунду.

#### ВИКОРИСТАННЯ ТА ДОГЛЯД ЗА ЕЛЕКТРОІНСТРУМЕНТОМ

- **Не перевантажуйте електроінструмент.** Використовуйте відповідний для вашої потреби електроінструмент. Електроінструмент виконає роботу краще і безпечніше при швидкості, для якої він був розроблений.
- **Не використовуйте електроінструмент, якщо перемикач не включає та вимикає його.** Будь-який електроінструмент, який не може управлятися за допомогою перемикача, є небезпечним і має бути відремонтований.
- **Перед здійсненням будь-яких налаштувань, заміною аксесуарів або зберіганням пристрою від'єднайте штекер від електричної мережі та/або вийміть акумулятор з електричного пристрою, якщо він знімний.** Такі профілактичні заходи безпеки зменшують ризик випадкового включення електроінструмента.
- **Зберігайте непрацюючі електроприлади у недоступному для дітей місці і не дозволяйте особам, які не знайомі з інструкціями електричного прилада або з даними інструкціями, працювати з електроприладами.** Електроінструменти небезпечні в руках недосвідчених користувачів.
- **Обслуговування електричного пристрою та аксесуарів. Перевірте розрегульовані або зв'язані рухомі частини, поломані частини і будь-які інші умови, які можуть вплинути на роботу електроінструменту.** Якщо пошкоджений, відремонтуйте електроінструмент перед використанням. Багато нещасних випадків є наслідком поганого догляду за електроінструментом.
- **Тримайте ріжучий інструмент гострим і чистим.** Добре доглянутий ріжучий інструмент з гострими ріжучими крайками рідше зв'язується і легше контролюється.
- **Використовуйте електроінструмент, аксесуари та насадки відповідно до цих інструкцій, беручи до уваги умови роботи і роботу, що повинна бути виконана.** Використання електричного інструменту

для операцій, які відрізняються від призначених, може призвести до небезпечної ситуації.

- **Тримайте ручки та різальні поверхні сухими, чистими та очищеними від олії та мастил.** Ковзкі ручки та різальні поверхні не призначені для безпечного утримування та контролювання пристрою у неочікуваних ситуаціях.

#### ВИКОРИСТАННЯ І ДОГЛЯД ІНСТРУМЕНТУ НА БАТАРЕЙКАХ

- **Перезаряджати тільки за допомогою зарядного пристрою, зазначеного виробником.** Зарядний пристрій, що підходить для одного типу акумуляторів, може створити ризик загоряння при використанні з іншим акумуляторним блоком.
  - **Використовуйте електроінструменти тільки з призначеними для них акумуляторами.** Використання будь-яких інших акумуляторів, може створити ризик отримання травми і пожежі.
  - **Коли акумулятор не використовується, тримайте його подалі від металевих предметів, таких як скріпки, монети, ключі, цвяхи, шурупи, або інші дрібні металеві предмети, які можуть підключити один контакт до іншого.** Коротке замикання контактів акумулятора може призвести до опіків або пожежі.
  - **У важких умовах експлуатації, рідина може бути випущена з батареї; уникайте контакту.** При випадковому контакті змийте водою. Якщо рідина потрапила в очі, зверніться за медичною допомогою. Рідина з акумулятора може викликати роздратування або опіки.
  - **Заборононо використовувати акумулятор або пристрій, якщо вони були пошкоджені або модифіковані.** Використання пошкоджених або модифікованих акумуляторів може мати непередбачувані наслідки, серед яких: виникнення пожежі, вибуху та ризик травмування.
  - **Уникайте загоряння та високої температури акумулятора або пристрою.** Загоряння або висока температура понад 130°C можуть стати причиною вибуху.
  - **Дотримуйтеся усіх інструкцій щодо заряджання пристрою та уникайте заряджання поза діапазоном температур, що позначені у інструкції.** Неправильне заряджання або заряджання при температурі, поза межами позначеними в інструкції, може пошкодити акумулятор та підвищити ризик виникнення пожежі.
- #### СЕРВІС
- **Дозволяйте обслуговувати ваш електроінструмент тільки кваліфікованому персоналу, використовуючи тільки ідентичні запасні частини.** Це буде гарантувати безпечне обслуговування електроінструменту.
  - **Заборононо використання пошкоджених акумуляторів.** Обслуговування акумуляторів має бути здійснене тільки виробником або у авторизованому сервісному центрі.





## ПРАВИЛА БЕЗПЕКИ ПРИ РОБОТІ З ТОРЦЮВАЛЬНОЮ ПИЛКОЮ

- Торцювальні пилки призначені для різання деревини та дерев'яних виробів, вони не можуть бути використані з абразивними відрізними дисками для різання залізних матеріалів, таких як арматура, стрижні, палі і таке інше. Абразивний пил приводить до руйнування таких частин, як нижній захисний кожух. Іскри від абразивного різання можуть оплавити нижній захисний кожух, вставну пластину для перерізу та інші пластикові частини.
- Використовуйте затискачі, щоб утримувати заготовку всякий раз, коли це можливо. Якщо ви тримаєте робочу заготовку рукою, ви повинні завжди тримати руку якнайменше на відстані 100 мм з будь-якого боку від леза пилки. Не використовуйте цю пилку для різання заготовок, які є занадто малими для надійного фіксування або утримування рукою. Якщо ваша рука знаходиться занадто близько до леза пилки, ризик травмування від контакту з лезом збільшується.
- Робоча заготовка має бути нерухомою та закріпленою або утримуватись між напрямною пильного стола та столом. Не рухайте заготовку під лезо та не намагайтесь різати "вручну" у будь-який спосіб. Заготовки, що не закріплені або рухаються можуть відскочити на великій швидкості та стати причиною травмування.
- Штовхайте пилку через заготовку. Не протягуйте пилку через заготовку. Для того, щоб зробити переріз, підніміть головку пилки та штовхніть її уздовж заготовки не перерізаючи, запустіть двигун, опустіть голівку пилки та штовхніть пилку уздовж робочої заготовки. Різання із натиском призведе до того, що лезо пилки може віддертися на верхню частину заготовки та сильно відкинути лезо у зборі до користувача.
- Ніколи не тримайте руки на відміченій лінії для різання попереду або позаду леза пилки. Утерхресне утримування робочої заготовки, тобто утримування робочої заготовки праворуч від леза пилки лівою рукою або навпаки є дуже небезпечним.
- Не підставляйте руки за напрямну стола ближче ніж на 100 мм з кожного боку від леза пилки, щоб видалити дерев'яні рештки або з будь-якою іншою метою, поки лезо обертається. Близькість леза, що обертається до вашої руки може бути неочевидною, але ви можете отримати серйозні травми.
- Перевіряйте робочу заготовку перед перерізанням. Якщо заготовка вигнута або деформована, закріплюйте її зовнішньою вигнутою стороною до напрямної стола. Завжди переконуйтеся, що між заготовкою, напрямною та пильним столом немає проміжку вздовж лінії перерізання. Нерівні або деформовані робочі заготовки можуть закрутитись або пересуватись та спричинити затискання обертового леза пилки під час перерізання. Заготовка має бути перевірена на наявність цвяхів та сторонніх об'єктів.
- Не використовуйте пилку доки стіл пилки не очищений від всіх інструментів, залишків деревини й тому подібного, за виключенням заготовки. Малі частини або незакріплені шматки деревини або інші об'єкти, які контактують із обертовим лезом можуть бути відкинуті на великій швидкості.
- Розрізайте лише одну заготовку за один раз. Кілька складених заготовок не можуть бути закріплені або зафіксовані належним чином, тому це може спричинити затискання леза або пересування під час перерізання.
- Перед використанням переконайтесь, що торцювальна пилка встановлена або розміщена на рівній, міцній робочій поверхні. Рівень розміщення та тверда робоча поверхня знижують ризик нестабільної роботи торцювальної пилки.
- Плануйте свою роботу. Кожного разу, коли ви змінюєте нахил або регулюєте кут, переконайтесь, що регульована напрямна правильно розміщена для належного утримування робочої заготовки та не буде контактувати з лезом або напрямною системою. Не вмикаючи пристрій "ON" та без робочої заготовки на пильному столі, проведіть лезом пилки уздовж розрізу, який ви плануєте зробити, для того, щоб переконатись, що він ні з чим не перетинається та немає безпеки перерізання напрямної.
- Забезпечте належне утримування, таке належне устаткування столу, козли для пиляння і таке інше для заготовки, що є ширшою або довшою ніж пильний стіл. Заготовка, що є ширшою або довшою ніж стіл торцювальної пилки може перекинутись, якщо вона не закріплена належним чином. Якщо відрізаний шматок або заготовка підіймається, вона може підняти нижній захисний кожух або бути викинутою обертальним лезом.
- Заборонено використовувати іншу особу задля розширення поверхні столу або як додаткову підтримку. Нестабільна підтримка заготовки може призвести до застрягання леза або зсуву деталі під час різання, потягнувши вас та помічника до обертального леза.
- Відрізаний шматок не повинен бути затиснутим або притиснутим будь-яким чином до леза пилки. Якщо він застряг, тобто, якщо зупиняється по довжині, відрізаний шматочок може притиснутись до леза і сильно кидати.
- Завжди використовуйте затиск або прилад, призначений для належної підтримки круглих матеріалів, таких як трутки або трубки. Стрижні мають тенденцію котитись під час розрізання, змушуючи лезо «вкисити» та затягувати руку до леза.
- Дайте лезу розігнатися на повну потужність перш ніж контактувати з заготовкою. Це зменшить ризик відкидання заготовки.
- Якщо заготовка або диск застрягли - вимкніть пилку. Дочекайтеся поки всі рухомі частини зупиняться та від'єднайте штекер від джерела живлення та/або витягніть акумуляторну







батарей. Потім працюйте, щоб вивільнити затиснутий матеріал. Продовження розпилювання затиснутої заготовки може спричинити втрату керування або пошкодження моторної пилки.

- Після закінчення розрізання відпустіть перемикач, тримайте пилку голівкою вниз і зачекайте, поки лезо не зупиниться, перш ніж знімати відрізний шматок. Не тримайтеся рукою біля леза, це небезпечно.

### ЗАХОДИ БЕЗПЕКИ ПРИ РОБОТІ З ДИСКАМИ ДЛЯ РІЗАННЯ ДЕРЕВИНИ

- Будь ласка, прочитайте керівництво та інструкції перед використанням пилки і машини.
- Машина повинна бути в гарному стані, шпindel без деформації і вібрації.
- Не використовуйте пристрій без захисних кожухів у належному положенні. Тримайте кожухи в доброму робочому стані і належним чином встановленими.
- Переконайтеся, що оператор належним чином підготовлений з техніки безпеки, налагодження та експлуатації машини.
- Завжди надягайте захисні окуляри та засоби захисту органів слуху при використанні машини. Рекомендується носити рукавички, надмічне не ковзання взуття та фартух.
- Перед використанням будь-якого аксесуара, зверніться до інструкції з експлуатації. Неправильне використання приладдя може призвести до пошкодження і збільшити потенціал для травми.
- Використовуйте тільки леза, зазначені у цьому посібнику, з дотриманням EN 847-1.
- Дотримуйтесь максимальної швидкості, зазначеної на дисковій пилці. Забезпечте швидкість, зазначену на лезі пилки, принаймні дорівнюючої швидкості, позначеної на пилі.
- Завжди використовуйте леза з правильним розміром і формою отвору оправки. Леза, які не відповідають монтажному обладнанню пилки будуть працювати ексцентрично, що призведе до втрати контролю.
- Не використовуйте диски більшого чи меншого діаметру, ніж рекомендується. Не використовуйте прокладки, щоб посадити лезо на шпindel.
- Перевірте кінчики пилкового леза на наявність пошкоджень, або ненормальний вигляд перед кожним використанням. Кінчики, які були пошкоджені або ослаблені можуть стати летючими об'єктами при використанні і збільшити шанси отримання травми.
- Не використовуйте тріснутий або спотворений ріжучий полотно. Не використовуйте леза пилки, які були пошкоджені або деформовані.
- Викиньте пильне лезо, якщо воно пошкоджене, деформоване, спотворене або тріснуте, ремонт не допускається.
- Не використовуйте леза зі швидкоріжучої сталі.
- Переконайтеся, що лезо пили правильно встановлено, надійно затягніть гайку оправки перед використанням (момент затягування приблизно 12-

15 Нм).

- Кріпильний гвинт і гайки повинні бути затягнуті, використовуючи відповідний ключ, і т.д.
- Розширення гайкового ключа або затягування за допомогою ударів молотка не допускається.
- Переконайтеся, що лезо і фланці чисті і закриті з боку втулки проти леза.
- Переконайтеся, що лезо обертається в правильному напрямку.
- Перед роботою, зробіть пробний зріз без включеного двигуна, так щоб позиція леза, робота кожухів по відношенню до інших частин машини, і заготовки можуть бути перевірені.
- Ніколи не залишайте машину без нагляду.
- Не застосовуйте мастильні матеріали на лезі, коли воно працює.
- Ніколи не виконуйте будь-яке чищення або технічне обслуговування, коли машина все ще працює, і головка не в положенні спокою.
- Ніколи не намагайтеся швидко зупинити працюючу машину шляхом блокування леза інструментом або іншими засобами, це може викликати серйозні аварії ненавмисно.
- Від'єднайте пристрій від електромережі або витягніть акумуляторну батарею перед заміною леза або технічним обслуговуванням.
- Зверніть увагу на упаковку і розпакування леза, легко отримати травму об гострі леза.
- Використовуйте тримач леза або носіть рукавички при роботі з лезом пилки.
- Тримайте і зберігайте лезо в оригінальній упаковці чи в іншій відповідній упаковці, тримайте у сухих умовах, далеко від хімічних речовин, які можуть пошкодити лезо.

### ДОДАТКОВІ ЗАХОДИ БЕЗПЕКИ

- Завжди затисніть заготовку надійно і безпечно.
- Переконайтеся, що машина завжди стабільна і безпечна (наприклад, закріплена на верстаті).
- Носіть захисні навушники. Вплив шуму може призвести до втрати слуху.
- Під час роботи з пристроєм завжди надягайте захисні окуляри. Рекомендується носити рукавички для роботи з лезом і грубим матеріалом, плюс міцне, не ковзне взуття, щоб захистити ноги від заготовок, які можуть випасти з області різання.
- Від'єднайте пристрій від електромережі або витягніть акумуляторну батарею перед чисткою або технічним обслуговуванням.
- Встановлюйте акумулятор тільки, коли пристрій вимкнено.
- Ніколи не торкайтеся області поблизу леза, якщо лезо повністю не зупинилося.
- Перед використанням ретельно перевірте пристрій на наявність пошкоджень або втрати матеріалу. Загальний ремонт пристрою може виконуватися лише у авторизованому сервісному центрі.
- Завжди використовуйте захисні кожухи на машині.





Не використовуйте машину, якщо захист не на місці і не працює правильно.

- Нижня захисна кришка повинна відкриватися лише тоді, коли лезо опускається до заготовки, і завжди повинна вільно пересуватися і автоматично закриватися.
- Завжди фіксуйте та використовуйте перехідник для фіксування деталі під час роботи.
- Ніколи не змінюйте пристрій чи його функції. Ваша безпека може бути порушена.
- Не використовуйте леза пилки, які мають тріщини, пошкоджені або деформовані.
- Не використовуйте леза пилки, виготовлені з швидкорізальної сталі.
- Використовуйте тільки гострі леза. Заменіть тупі леза.
- Завжди використовуйте леза з правильним розміром і формою отвору оправки. Леза, які не відповідають монтажному обладнанню пилки будуть працювати ексцентрично, що призведе до втрати контролю.
- Використовуйте тільки деревообробні леза, зазначені у цьому посібнику, які відповідають EN 847-1.
- Не використовуйте ніякі фланці, шайби і гайки, щоб закріпити лезо пили, крім тих, що поставляються або зазначені в інструкції з експлуатації.
- Треба вибрати пилку, яка підходить для розрізу матеріалу. Ніколи не використовуйте пристрій для різання матеріалів, відмінних від тих, що зазначені в розділі, щодо використання у цій інструкції з використання.
- Важливо уникати перегрівання леза та плавлення пластику під час різання.
- Важливо дотримуватися максимальної швидкості, зазначеної на диску пилки, використовуйте лише диски, на яких позначена швидкість, рівна або більша, ніж швидкість, зазначена на інструменті.
- Заменіть верстат, коли зношений або пошкоджений.
- Перед роботою, зробити пробний зріз без включеного двигуна, так щоб позиція леза, робота кожухів по відношенню до інших частин машини, і заготівля можуть бути перевірені.
- Під час виконання нарізних стрижнів, кінціальних або складних поперечних розрізів, відрегулюйте ковзання кожуха, щоб забезпечити правильний зазор леза.
- Під час транспортування пристрою ручка завжди має бути зафіксованою.
- Тримайте поверхню вільною від сипучих матеріалів, таких як щебінка та відрізки.
- Утримуйтеся від видалення будь-яких відрізків або інших частин заготовки з зони різання, поки пристрій працює, а головка пилки не знаходиться у нейтральному положенні.
- Довгі заготовки повинні належним чином підтримуватися. Робоча зона пилки включає весь ступінь заготовки. Оператор повинен забезпечити цю область від випадкового контакту з іншими людьми, або об'єктами, які можуть рухати заготовки

під час роботи.

- Пил вироблений продуктом може становити небезпеку для здоров'я. Використовуйте систему всмоктування пилу і носіть підходящу маску захисту від пилу. Видаліть нанесений пил ретельно за допомогою пилососа.
- Не замінійте лазер іншим типом. Будь-які ремонтні роботи повинні виконуватися тільки виробником або уповноваженим агентом з обслуговування.
- Діапазон температури навколишнього середовища для пристрою під час використання від 0°C до 40°C.
- Діапазон температури навколишнього середовища для пристрою під час зберігання від 0°C до 40°C.
- Рекомендований діапазон температури зовнішнього середовища для системи заряджання під час заряджання між 10°C та 38°C.

### ТРАНСПОРТУВАННЯ ЛІТІЄВИХ БАТАРЕЙ

Транспортуйте батарею відповідно до місцевих та національних положень та правил.

Дотримуйтесь усіх спеціальних вимог щодо пакування та маркування при транспортуванні батареї третьою стороною. Переконайтеся, що батареї не можуть вступати в контакт з іншими батареями або провідними матеріалами при транспортуванні, захищаючи відкриті роз'єми ізоляційними непроводящими кришками або стрічкою. Не перевозити батареї, які мають тріщини або протечки. Консультуйтеся з експедиторською компанією для подальших консультацій.

### ТЕХНІКА БЕЗПЕКИ ПРИ ЕКСПЛУАТАЦІЇ АКУМУЛЯТОРНОЇ БАТАРЕЇ

#### ⚠ ПОПЕРЕДЖЕННЯ

Для запобігання небезпеці пожежі в результаті короткого замикання, травм і пошкодження виробів не занурюйте інструмент, змінний акумулятор або зарядний пристрій у рідину і не допускайте потрапляння рідини всередину пристроїв або акумуляторів. Корозійні і струмопровідні рідини, такі як солоний розчин, певні хімікати, вибілювальні засоби або продукти, що їх містять, можуть призвести до короткого замикання.

- Діапазон температури навколишнього середовища для акумулятора під час використання між 0°C та 40°C.
- Діапазон температур зовнішнього середовища під час зберігання акумулятора між 0°C та 20°C.

### ПРАВИЛА БЕЗПЕКИ ЛАЗЕРА

- Лазерне випромінювання, що використовується в цій пилці класу 2 з максимальною  $\leq 1$  мВатт і 650 нм довжиною хвиль. Не дивіться на лазерний промінь. Недотримання правил може призвести до серйозних травм.
- Не дивіться на промінь під час роботи.
- Не спрямовуйте лазерний промінь прямо в очі інших. Це може спричинити серйозні травми очей.





- Не встановлюйте лазер в положенні, яке може спричинити навмисний або ненавмисний вплив лазерного променя.
- Не використовуйте оптичні інструменти, щоб подивитися на лазерний промінь.
- Не використовуйте лазер навколо дітей і не дозволяйте дітям управляти лазером.
- Не намагайтеся ремонтувати прилад лазера самостійно.
- Не намагайтеся змінити які-небудь частини лазерного пристрою самостійно.
- Будь-які ремонтні роботи повинні виконуватися тільки виробником лазера або авторизованим сервісним агентом.
- Не замінійте лазер іншим типом.

### ЗАЛИШКОВІ РИЗИКИ

Навіть коли продукт використовується як написано, залишається неможливим повністю усунути деякі залишкові чинники ризику. Наступні небезпеки можуть виникнути і оператор повинен звернути особливу увагу, щоб уникнути наступного:

- ризик контакту з відкритими частинами обертаючогося пилкового леза
  - віддача деталей або частин заготовок через неправильне поводження або регулювання
  - катапультивання несправних кінчиків карбїду від пилкового диска
  - Пошкодження дихальної системи.
- ПРИМІТКА:** Носіть респіраторні захисні маски, що містять фільтри, відповідні до обробляємих матеріалів. Забезпечте достатню вентиляцію на робочому місці. Не їжте, не пийте і не паліть в робочій зоні.
- пошкодження слуху, якщо ефективний захист слуху не одягнений.

### ▲ ПОПЕРЕДЖЕННЯ

Пил від певних фарб, покриттів та матеріалів може викликати подразнення або алергічні реакції. Пил від дерев, таких як дуб, бук, МДФ та інших подібних матеріалів може бути канцерогенним. Матеріали, що містять азбест повинні бути опрацьовані або оброблятися тільки кваліфікованими операторами-фахівцями.

### ▲ ПОПЕРЕДЖЕННЯ

Тривале використання інструменту може викликати або посилити травми. При використанні інструменту протягом тривалого періоду, робіть регулярні перерви.

### ЗНАЙТЕ СВІЙ ПРОДУКТ

Див. стор. 215.

1. Ручка, ізольована поверхня для утримання
2. Вимикач живлення

3. Безпечна блокування ручки
4. Верхній захисний кожух
5. Лезо пили
6. Нижній захисний кожух
7. Головна напрямна деталь
8. Поворотний стіл
9. Основа
10. Вставка робочої поверхні
11. Блокування ручки поворотного столу
12. Балансуюча опора
13. Запобіжник від перекидання
14. Перемикач лазера
15. Передня ручка, ізольована поверхня для утримання
16. Фланець
17. Обмежувач кронштейна
18. Ручка фіксатора кута
19. Затискач
20. Розсувна напрямна деталь
21. Монтажний отвір
22. Подовжуюча стійка
23. Гвинти для фіксації основної перегородки
24. Блокування шпінделя кнопки
25. Акумуляторна батарея
26. Мішок для пилу
27. Ручка регулювання глибини різання
28. Обмежувач максимальної глибини різання
29. Кнопка обмежувача лінійної тяги
30. Гвинти для регулювання обмежувача кута скосу
31. Пальцева прокладка

### ФУНКЦІОНУВАННЯ

Продукт має рухливе лезо пилки, яке може бути встановлено під різними кутами оператором при різанні оброблюваної деталі, яка надійно кріпиться до основи продукту. З ним повиненна працювати тільки одна людина, щоб запобігти ненавмисному контакту з рухомих лезом пилки.

Принципи безпечної експлуатації продукту:

- Підтримуйте леза пилки і робочу зону в хорошому стані.
- Закріпіть підставу торцювальної пилки на міцному верстаті. Продукт і кінцівка можуть рухатися, якщо вони не належним чином закріплені.
- Встановіть і зафіксуйте кути різання і глибину, перш ніж різати.
- Закріпіть заготовку на базі торцювальної пили. Використовуйте затиск, який надається та, при необхідності, використовуйте додаткові затискачі або утримуючі механізми для запобігання ненавмисному руху заготовки під час різання.
  - Переконайтеся, що експлуатація кожухів лез не обмежується становищем заготовки.
  - Переконайтеся, що кожух та інші частини товару не будуть порізані, коли лезо опускається до положення різання.
- Запустіть двигун і дайте лезу досягти повної швидкості до того, щоб повільно опустити його для різки. Посуньте пристрій цілком назад, щоб закінчити розріз, коли це необхідно.
- Дозвольте вузлу леза піднятися до його верхнього

|           |
|-----------|
| EN        |
| FR        |
| DE        |
| ES        |
| IT        |
| NL        |
| PT        |
| DA        |
| SV        |
| FI        |
| NO        |
| RU        |
| PL        |
| CS        |
| HU        |
| RO        |
| LV        |
| LT        |
| ET        |
| HR        |
| SL        |
| SK        |
| BG        |
| <b>UK</b> |
| TR        |
| EL        |



положення, коли кожухи леза повністю закриті. Вимкніть двигун і дайте лезу прийти до повної зупинки перед видаленням заготовки або обрізків, або до досягнення в області леза.

Перед першим використанням переконайтеся, що кут фаски або кут скосу, встановлені на виробі відповідають куту, що буде вироблятися на заготівлі. Перевірте на непригодному шматку дерева за допомогою набору тесляра або відмірювача скосу.

#### **⚠ ПОПЕРЕДЖЕННЯ**

Виробник настійно рекомендує, щоб продукт був завжди надійно закріплений на поверхні верстату.

Коли підстава продукту міцно прикріплена до поверхні верстата чотирма гайками, наданими болтами і шайбами, продукт може бути використаний при максимальному нахилі налаштування скосу без можливості перекидання. Якщо продукт не захищений належним чином, продукт може втратити баланс при виборі великих кутів скосу.

У передній частині основи торцювальної пилки є подовжуюча балка, яка повинна бути максимально витягнута. Це допоможе запобігти втраті балансу торцювальною пилкою.

Існує також регульований гвинт (балансуюча опора), який простягається від нижньої частини поворотного столу розширення. Цей гвинт повинен бути відрегульований так, щоб він був у рівень з плоскою поверхнею, на якій лежить продукт. Це також допоможе уникнути втрати балансу продуктом при різанні у повному обсязі на схилі і скосі. Обережно, ця частина верстату пилки рухається при виборі різних кутів скосу, тому гвинт повинен часто регулюватися і відлаштовуватися.

#### **ОБСЛУГОВУВАННЯ**

- Не змінюйте пристрій будь-яким способом або не використовуйте приладдя, не схвалені виробником. Ваша та інших безпека може бути порушена.
- Не використовуйте продукт, якщо які-небудь перемикачі, кожухи або інші функції не працюють належним чином. Поверніться в авторизований сервісний центр для професійного ремонту або налаштування.
- Не робіть будь-які коригування в той час як лезо пили знаходиться в русі.
- Завжди переконайтесь, що акумуляторну батарею було вилучено з пристроєм, перш ніж робити регулювання, змащування або виконувати будь-яке технічне обслуговування.
- До і після кожного використання, перевірте продукт на предмет пошкоджень або зламаних деталей. Тримайте продукт в доброму робочому стані, негайно замініть деталі запчастинами, що затверджені виробником.
- Полотно пили має гостру ріжучу кромку і може бути гарячим після роботи. Будьте максимально обережними, чистячи полотно пили. Надягайте

рукавиці, аби захиститися від травми.

- Регулярно чистіть пилу та аксесуари - зокрема, рухомі компоненти та захисний щиток - від пилу. Використовуйте ручну щітку чи пилосос для ефективного видалення пилу. Не використовуйте стиснене повітря.
- Для забезпечення безпеки і надійності всі ремонтні роботи, у тому числі зміна щіток, повинні виконуватися в авторизованому сервісному центрі.

#### **⚠ ПОПЕРЕДЖЕННЯ**

Не розбирайте вузол захисного щитка для чищення або ремонту. Забороняється використовувати пошкоджені щітки. Зверніться до авторизованого сервісного центру щодо ремонту або заміни.

#### **⚠ ПОПЕРЕДЖЕННЯ**

Для більшої безпеки і надійності, всі ремонтні роботи повинні виконуватися в авторизованому сервісному центрі.

#### **Калібрування кута нахилу та кута 45°**

Якщо потрібне калібрування кута нахилу та кута 45°, див. стор. 236 - 242 та дотримуйтеся інструкцій з калібрування.

#### **Обмежувач максимальної глибини різання**

Обмежувач максимальної глибини різання запобігає візанню леза пилки в металевій основі пристрою.

#### **⚠ ПОПЕРЕДЖЕННЯ**

Обмежувач максимальної глибини різання не регулюється користувачем. Не налаштовуйте обмежувач максимальної глибини різання.

#### **ТРАНСПОРТУВАННЯ ТА ЗБЕРІГАННЯ**

- Під час зберігання продукту вийміть акумуляторну батарею. Зберігайте продукт в надійному місці, недоступному для дітей.
- Очистіть продукт, використовуючи щітку та пилосос перед зберіганням.
- Якщо ви видалите лезо пили або тримаєте запасні частини з пристроєм переконайтеся, що вони знаходяться в оригінальній упаковці, щоб запобігти травмам.

#### **Для забезпечення продукту до руху:**

- Продукт слід зберігати при нульовому ступені нахилу і куту скосу у замкнутому положенні. Ступор повинен бути заблокований. Ручка повинна бути зафіксована в нижньому (безпечному) положенні з закритими запобіжниками.
- Для зручності транспортування може бути вилучена одна або обидві частини для розширення.

### Для переміщення або перевезення в автомобілі:

- Забезпечте продукт до руху, як описано в керівництві.
- Зніміть продукт з поверхні верстата, відкрутивши 4 болта, по одному на кожному куті. Закріпіть болти для майбутнього використання. Піднімайте продукт, використовуючи ручку у верхній частині.
- При підйомі на висоту, дві людини, одягнені у міцні рукавички мають піднімати підставу продукту.
- При транспортуванні в автомобілі, встановіть продукт на його основі і зафіксуйте від руху.

### ЗАХИСТ НАВКОЛИШНЬОГО СЕРЕДОВИЩА



Переробляйте сировину замість утилізації в якості відходів. Машини, обладнання та упаковка повинні бути відсортовані для дружньої для навколишнього середовища утилізації.

### СИМВОЛИ НА ПРОДУКТІ



Попередження безпеки



CE відповідність



Євразійський знак відповідності



Український знак відповідності



Будь ласка, уважно прочитайте інструкцію перед запуском продукту.



Носіть захист слуху



Завжди надягайте захисні окуляри.



Тримайте руки подалі від зони різання та диску.



Захищати від дощу або не використовувати у сирих приміщеннях.



Надягати захисні рукавиці.



Напрямок обертання леза (показан на лезі пилки)



Напрямок обертання леза (показан на захисному кожусі леза)



Ширина різу леза (Проріз)



Кількість зубців на цьому пилковому лезі



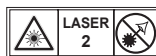
Різуча здатність



Для різання дерева і аналогічної матеріалу



Не для різання металів



Лазерне випромінювання. Не дивіться на промінь.

Продукт лазера 2 класу. Відходи електротехнічної продукції не слід викидати разом із побутовими відходами. Будь ласка, переробляйте там, де наявне устаткування. Перевірте з вашим місцевим органом влади або продавцем для консультацій з приводу переробки.



### СИМВОЛИ В ЦІЄІ ІНСТРУКЦІЇ З ЕКСПЛУАТАЦІЇ



Блокувати



Розблокувати



Механізм блокування не працює



Запасні деталі або приналежності продаються окремо



Примітка



Попередження

Нижчезказані попереджальні слова та символи пояснюють рівень ризику при роботі з цим приладом.

 **НЕБЕЗПЕКА**

Вказує на неминуче небезпечну ситуацію, яка, якщо її не уникнути, може призвести до смерті або серйозних травм.

 **ПОПЕРЕДЖЕННЯ**

Вказує на потенційно небезпечну ситуацію, яка, якщо її не уникнути, може призвести до смерті або серйозних травм.

 **УВАГА**

Вказує на потенційно небезпечну ситуацію, яка, якщо її не уникнути, може призвести до середньої або легкої травми.

**УВАГА**

(Без Символу попередження про небезпеку) Вказує на ситуацію, яка може привести до матеріальних збитків.

Gönye testerenizin tasarımında güvenlik, performans ve güvenilirliğe en yüksek öncelik verilmiştir.

## KULLANIM AMACI

Gönye testeresi cilalı ya da cilasız yekpare ve bağlanık tahtaları, tutkallanmış kaplamalı ya da kaplamasız ahşap benzeri malzemeyi ve plastikleri kesmek için imal edilmiştir. Ürün sadece talimat kılavuzunu okumuş olup, risk ve tehlikeleri anlayan yetişkin kullanıcılar tarafından kullanılmalıdır.

Ürün sağlam bir tezgah üzerine taban sabitlenecek şekilde tasarlanmıştır. Taşıyıcı taban sağlam bir şekilde sabitlenmemişse tüm makine, kesme çalışmaları sırasında hareket edebilir ve ciddi kişisel yaralanma olasılığını artırabilir.

Ürün eğimli ve şev kesimler yapmak için tasarlanmıştır. Çeşitli kesimler için kapasiteler bu kılavuzun ürün özellikleri bölümünde verilmektedir.

Ürün kuru ortamlarda, mükemmel ortam aydınlatması ve uygun havalandırma koşullarında kullanılmalıdır.

Ürün sadece tüketici kullanımı için tasarlanmıştır, yukarıda anlatıldığı gibi kullanımlı ve başka hiçbir amaç için kullanılmamalıdır.

## ELEKTRİKLİ ALET İÇİN GENEL GÜVENLİK TALİMATLARI

### ⚠ UYARI

**Bu aletle birlikte verilen tüm uyarı, talimat ve özellikleri dikkatlice okuyunuz ve resimli açıklamalara bakınız.** Aşağıda belirtilen talimatlara uyulmaması, yangın, elektrik çarpması ve/veya ciddi bedensel yaralanmalar gibi kazalar sebep olabilir.

Tüm uyarıları ve talimatları daha sonra başvurmak üzere saklayın. Uyarılardaki "elektrikli alet" terimi şebeke elektrikle çalışan (kablolu) ya da pille çalışan (kablesiz) el aletini ifade eder.

## ÇALIŞMA ALANI EMNİYETİ

- Çalışma alanını temiz ve iyi aydınlatılmış halde tutun. Dağınık ya da karanlık alanlar kazalara davetیه çıkarır.
- Elektrikli aletleri, yanıcı sıvıların, gazların veya tozların vb. bulunduğu patlayıcı ortamlarda çalıştırmayın. Elektrikli aletler buharı ateşleyebilecek kıvılcım çıkarırlar.
- Elektrikli bir alet çalışırken çocukları ve çevredekileri aletten uzak tutun. Dikkat dağılması kontrolünüzü kaybetmenize neden olabilir.

## ELEKTRİKLE İLGİLİ GÜVENLİK

- Elektrikli aletin fişi elektrik prizine uymalıdır. Elektrik fişini asla modifiye etmeyin. Topraklanmış elektrikli aletlerle birlikte adaptör fişleri kullanmayın. Modifiye edilmiş fişler ve doğru prizler elektrik çarpması riskini azaltır.
- Borular, radyatörler ve buzdolapları gibi topraklanmış yüzeylere temastan kaçının.

Vücudunuz topraklanmışsa elektriğe çarpılma riskiniz çok yüksektir.

- Elektrikli aletleri yağmura veya ıslak ortamlara maruz bırakmayın. Elektrikli aletin içine giren su elektrik çarpması riskini çoğaltacaktır.
- Elektrik kablosunu kötü kullanmayın. Elektrikli aleti taşımak, çekmek ya da fişini çekmek için asla elektrik kablosunu kullanmayın. Kabloyu ısıdan, yağdan, keskin kenarlardan ve hareketli parçalardan uzak tutun. Hasarlı ya da dolaşmış kablolar elektrik çarpması riskini yükseltir.
- Elektrikli bir aleti dış mekanda kullanırken mutlaka dış mekanda kullanıma uygun bir uzatma kablosu kullanın. Dış mekana uygun bir uzatma kablosu kullanmak elektrik çarpması riskini azaltır.
- Elektrikli aleti nemli bir yerde kullanmak zorundaysanız, artık akım cihazı (RCD) korumalı bir besleme kullanın. RCD kullanımı elektrik çarpması riskini azaltır.

## KİŞİSEL EMNİYET

- Bu cihazı kullanırken daima tetikte olun, ne yaptığınıza dikkat edin ve sağduyunuzu kullanın. Yorgunken, bir ilacın, alkolün veya ilaç tedavisinin etkisi altındayken alet kullanmayın. Elektrikli aletlerle çalışırken bir anlık dikkat eksikliği ciddi kişisel yaralanmalara neden olabilir.
- Kişisel koruyucu donanımlar kullanın. Her zaman koruyucu gözlük kullanın. Uygun koşullarda kullanılan toz maskesi, kaymaz emniyet ayakkabıları, sert şapka veya koruyucu kulaklık kişisel yaralanmaları azaltır.
- İstemsiz çalıştırmalardan kaçının. Güç kaynağı ve/veya pil paketine takmadan, ürünü kaldırmadan ya da taşımadan önce ürünün kapalı konumda olduğundan emin olun. Parmağınız açma kapama düğmesindeyken elektrikli aletleri taşımak ya da düğmesi açık elektrikli aletleri çalıştırmak kazaya davetیه çıkarmaktır.
- Elektrikli aleti çalıştırmadan önce ayar anahtarını veya İngiliz anahtarını çıkarın. Elektrikli aletin dönen parçalarının üzerinde unutulmuş bir anahtar veya civata anahtarı kişisel yaralanmalara neden olabilir.
- Aşırı derecede uzanmayın. Her zaman güvenli ve dengede durun. Bu sayede elektrikli aletin beklenmedik durumlarda daha iyi kontrol edilmesi sağlanır.
- Uygun giysiler giyin. Bol giysiler giymeyin ya da takı takmayın. Saclarınızı ve kıyafetlerinizi hareketli parçalardan uzak tutun. Bol elbiseler, takılar veya uzun saç hareketli parçalara kaptrınabilir.
- Toz boşaltma bağlantısı ve toplama araçları için sağlanan cihazlar varsa bunların bağlı olduğundan ve uygun kullanıldığından emin olun. Toz toplama aparatı kullanımı tozla ilgili tehlikeleri azaltabilir.
- Ürünü sık kullanmanın verdiği alışkanlığın dikkatsiz davranmanıza neden olmasına izin vermeyin ve alet güvenliği ilkelerini göz ardı etmeyin. Dikkatsiz bir hareket saniyenin onda biri gibi bir sürede ciddi yaralanmalara yol açabilir.



## ELEKTRİKLİ CİHAZ KULLANIMI VE BAKIMI

- **Alete güç uygulamayın. Yapacağınız uygulama için doğru ürünü kullanın.** Doğru ürün tasarlandığı hızda işi daha iyi ve daha güvenli şekilde yerine getirecektir.
- **Düğmesinden açılıp kapatılmıyorsa elektrikli aleti kullanmayın.** Düğmesiyle kontrol edilemeyen elektrikli aletler tehlikelidir ve onarılması gerekir.
- **Herhangi bir ayar yapmadan ya da aksesuar değiştirmeden önce fişi güç kaynağından ve/veya pil takımını çıkartılabiliyorsa aletten çıkarın.** Bu gibi önleyici emniyet önlemleri ürünün kaza ile çalışma riskini azaltır.
- **Rölanti halindeki elektrikli aletleri çocukların ulaşamayacakları bir yerde muhafaza edin ve elektrikli aleti tanımayan veya kullanım talimatlarını bilmeyen kişilerin kullanımına izin vermeyin.** Elektrikli aletler deneyimsiz kişilerin ellerinde tehlikeli olabilir.
- **Elektrikli aletlerin ve aksesuarların bakımını yapın. Aletin çalışmasına kötü etki edecek hareketli parçaları yanlış ayarlamalara veya sıkışmalara, kırık parçalara ve diğer olumsuz durumlara karşı kontrol edin. Alet hasar görürse tekrar kullanmadan önce onarımı yapılmış olmalıdır.** Kazaların çoğu yetersiz olarak onarılan aletlerden kaynaklanmaktadır.
- **Kesme aletlerini keskin ve temiz tutun.** Keskin kenarlı, bakımı düzgün yapılmış kesme aletlerinin tutukluk yapma ihtimali daha düşüktür ve kontrolleri daha kolaydır.
- **Çalışma koşulları ve yapılacak işi göz önünde bulundurarak ürün, aksesuarlar ve alet parçaları vb.yi bu talimatlara uyarak kullanın.** Elektrikli aletin tasarladığından farklı bir işte kullanılması tehlikeli durumlara neden olabilir.
- **Tutamakların ve kavrama yüzeylerinin kuru, temiz, yağ ve gresten arınmış olmasını sağlayın.** Kaygan tutamaklar ve kavrama yüzeyleri güvenli kullanıma ve aletin beklenmedik durumlarda kontrol edilmesine imkan vermez.

## BATARYA KULLANIMI VE BAKIMI

- **Yalnızca üreticinin belirttiği şarj cihazı ile tekrar şarj edin.** Sadece bir tür batarya için uygun olan şarj cihazı, başka bir batarya ile kullanıldığında yangın tehlikesi olabilir.
- **Elektrikli aletleri yalnızca onlara özel batarya paketleriyle birlikte kullanın.** Farklı pil paketi kullanımı yaralanma ya da yangın riski oluşturabilir.
- **Batarya takımı kullanılmadığında bunları ataş, bozuk para, çivi, vida ya da bir ucundan diğer ucuna bağlantı kurabilen diğer küçük metal nesnelere uzak tutun.** Batarya terminallerine kısa devre yaptırmak yanıklara veya bir yangına neden olabilir.
- **Kötü kullanım durumlarında pilden sıvı sızabilir; sıvıyla temas etmekten kaçının. Kaza ile temas ederseniz bol su ile yıkayın. Sıvı göze temas ederse ek olarak tıbbi yardım alın. Pilden sızan sıvı iritasyon ya da yanmaya yol açabilir.**
- **Hasar görmüş ya da değiştirilmiş pil paketi ya da**

**aleti kullanmayın.** Hasar görmüş ya da değiştirilmiş piller yangın, patlama ya da yaralanma riskine yol açabilecek beklenmeyen davranış sergileyebilir.

- **Pil paketi ya da aleti ateş ya da aşırı ısılarla maruz bırakmayın.** Ateş ya da 130°C üzerinde ısıya maruz bırakıldığında patlama olabilir.
- **Şarj işlemine ilişkin tüm talimatlara uyun ve pil paketi ya da aleti talimatlarda belirtilen sıcaklık aralığı dışında şarj etmeyin.** Belirtilen sıcaklık aralığı dışında şarj edildiğinde pil zarar görebilir ve yangın riski artar.

## SERVİS

- **Elektrikli aletin bakımını/onarımını sadece yetkili onarım personeline yaptırın, sadece orijinal yedek parça kullanılmasını sağlayın.** Böylece elektrikli aletinizin güvenliği korunmuş olur.
- **Hasarlı pil takımlarına asla bakım uygulamayın.** Pil takımlarının bakımı üretici ya da yetkili hizmet sağlayıcılar tarafından yapılmalıdır.

## GÖNYE TESTERELER İÇİN GÜVENLİK TALİMATLARI

- **Gönye testereler, ahşap ve ahşap benzeri ürünleri kesmeye yöneliktir, çubuklar, parmaklıklar, çiviler vs. gibi demir içeren materyalleri kesmek için aşındırıcı kesme tekerleriyle kullanılamaz. Aşındırıcı toz alt muhafaza gibi hareketli parçaların tıkanmasına yol açabilir. Aşındırıcı kesmenin oluşturduğu kırılcıklar alt muhafazayı, kertik girişini ve diğer plastik parçaları yakar.**
- **Mümkün olduğunda iş parçasını desteklemek için kelepçeler kullanın. İş parçasını elle destekliyorsanız, elinizi her zaman testere bıçağının her iki tarafından da 100 mm uzakta tutmalısınız. Güvenli bir şekilde menginelemek veya elde tutulmak için çok küçük olan parçaları kesmek için bu testereyi kullanmayın. Elleriniz testere bıçağına çok yakınsa bıçağa temasa bağlı yaralanma riski artar.**
- **İş parçası sabit olmalıdır ve menginelemiş veya hem perdeye hem de tablaya karşı yaslanmış olmalıdır. Hiçbir şekilde iş parçasını bıçağa "serbest elle" beslemeyin veya kesmeyin. Sabitlenmemiş veya hareketli iş parçaları yüksek hızda fırlayarak yaralanmaya neden olabilir.**
- **Testereyi iş parçası boyunca itin. Testereyi iş parçası boyunca çekmeyin. Kesim yapmak için testere başını kaldırın, motoru başlatın, testere başını aşağı indirin ve testereyi iş parçası boyunca ittin. Çekme hareketiyle kesmek testere bıçağının iş parçasının üstüne çıkmasına ve bıçak grubunu sert bir şekilde operatöre doğru fırlatmasına neden olabilir.**
- **Testere bıçağının önünde veya arkasında elinizi asla istenilen kesme çizgisinin ötesine geçirmeyin. İş parçasını "çapraz elle" desteklemek, öm. iş parçasını sol elinizle testerenin sağından veya sağ elinizle solundan tutmak çok tehlikelidir.**
- **Ahşap talaşlarını temizlemek veya herhangi bir başka nedenle perdenin arkasından iki elinizle**







de testere bıçağına 100 mm'den fazla uzanmayın. Dönen testere bıçağının elinize yakınlığı açıkça görülmeyebilir ve ciddi bir şekilde yaralanabilirsiniz.

- **Kesmeden önce iş parçanızı inceleyin. İş parçası bükülmüş veya eğilmişse, eğri tarafının dışı perdeye dönük olacak şekilde mengeneleyin. Kesme çizgisi boyunca iş parçası, perde ve tabla arasında hiçbir boşluk olmadığından emin olun.** Bükülmüş veya eğrilmiş iş parçaları dönelir veya hareket edebilir veya keserken dönen testere bıçağının takılmasına neden olabilir. İş parçasında çivi veya yabancı madde olmamalıdır.
- **Tabla iş parçası dışındaki aletlerden, ahşap talaşlarından vs. temizlenene kadar testereyi kullanmayın.** Küçük talaşlar veya ahşap parçaları veya başka nesnelere dönen bıçağa temas ettiğinde yüksek hızla fırlatılabilir.
- **Her seferinde yalnızca bir iş parçası kesin.** İstif edilmiş birden fazla iş parçası yeterli şekilde mengenelemez veya desteklenemez veya bıçağa takılabilir veya kesim sırasında hareket edebilir.
- **Kullanmadan önce gönye testerenin düz, sert bir iş yüzeyine monte edildiğinden veya yerleştirildiğinden emin olun.** Düz ve sert bir çalışma yüzeyi gönye testerenin hareket etme riskini azaltır.
- **İşinizi planlayın. Eğim veya şev açısı ayarlarını her değiştirdiğinizde ayarlanabilir perdenin iş parçasını desteklemek için düzgün yerleştirildiğinden ve bıçakla ya da muhafaza sistemiyle temas etmediğinden emin olun.** Aleti "AÇMADAN" önce ve tabla üzerinde herhangi bir iş parçası yokken, testere bıçağını kesim yapıyor gibi hareket ettirerek perdede temas etmediğinden veya perdede kesme tehlikesi olmadığından emin olun.
- **Tabla tezgahından daha uzun veya geniş olan bir iş parçası için tabla uzantıları, testere tezgahları vs. gibi yeterli desteği sağlayın.** Şev testere tablasından daha uzun ve geniş olan iş parçaları güvenli bir şekilde desteklenmezse devrilebilir. Kesilen parça veya iş parçası devrilirse, alt muhafazayı kaldırabilir veya dönen bıçak tarafından fırlatılabilir.
- **Bir tabla uzantısı için veya ek destek olarak başka bir insanı kullanmayın.** İş parçası için sabit olmayan destek bıçağın takılmasına ve iş parçasının kesme işlemi sırasında kayarak sizi ve yardımcınızı dönen bıçağa doğru çekmesine neden olabilir.
- **Kesme parçası herhangi bir şekilde dönen testere bıçağına sıkıştırılmamalı veya bastırılmamalıdır.** Örn. uzunluk durdurma çubukları kullanılarak tutulursa, kesme parçası bıçağa sıkışabilir ve sert bir şekilde fırlatılabilir.
- **Her zaman çubuklar veya tüpler gibi yuvarlak materyalleri uygun bir şekilde desteklemek için tasarlanmış bir mengene veya bağlantı düzeneği kullanın.** Çubukların kesilirken yuvarlanma eğilimi vardır, bu da bıçağın "ısırmasına" ve işi elinizle birlikte bıçağa doğru çekmesine neden olur.
- **İş parçasına temas etmeden önce bıçağın tam hıza erişmesine izin verin.** Bu iş parçasının fırlatılma riskini azaltır.

- **İş parçası veya bıçak tıkanır, gönye testereyi kapatın. Tüm hareketli parçaların durmasını bekleyin, fişi elektrik kaynağından çekin ve/veya batarya paketini sökünüz. Sonra tıkanan materyali çıkarmak için çalışın.** Sıkışmış bir iş parçasıyla kesmeye devam etmek kontrolün kaybedilmesine veya gönye testerenin zarar görmesine neden olabilir.
- **Kesim işlemi bittikten sonra düğmeyi bırakın, testere başını aşağıda tutun ve kesilen parçayı çıkarmadan önce bıçağın durmasını bekleyin.** Hareketli bıçağın yanına elinizle uzanmak tehlikelidir.

## ODUN KESME BİÇAĞI İÇİN GÜVENLİK TALİMATLARI

- Lütfen testere bıçağını veya ürünü kullanmadan önce kılavuza ve talimatları dikkatli bir şekilde okuyun.
- Elektrikli alet iyi durumda olmalı, milinde biçim bozulması ya da titreşim bulunmamalıdır.
- Muhafazalar yerinde değilken ürünü kullanmayın. Korumalarının iyi çalışır durumda olmasını ve düzgün olarak bakımının yapılmasını sağlayın.
- Operatörün ürünün emniyet önlemleri, ayarlanması ve çalıştırılması konusunda yeterli eğitime sahip olduğundan emin olun.
- Ürünü kullanırken her zaman koruyucu gözlük ve koruyucu kulaklık takın. Makineyi kullanırken eldiven, kaymayan ayakkabı ve önlük giymeniz önerilir.
- Herhangi bir aksesuar kullanmadan önce kullanım kılavuzuna başvurun. Herhangi bir aksesuarın uygunsuz kullanımı hasara yol açabilir ve yaralanma riskini artırabilir.
- Sadece bu kılavuza açıklanan EN 847-1'e uygun bıçaklar kullanın.
- Testere bıçağında belirtilen maksimum hızı asla aşmayın. Testere bıçağında belirtilen hızın en az testere üzerindeki hızla eşit olduğundan emin olun.
- Dingilin niteliğine uygun olmayan bıçaklar düzgün olarak dönmeyecekler ve aletin kontrolünün kaybedilmesine neden olacaklardır. Asla defolu yada uygun olmayan vida ve bıçak kenedi kullanmayınız.
- Tavsiye edilenden daha büyük veya küçük çapta bıçaklar kullanmayın. Bıçağı mile oturtmak amacıyla ara parçalar kullanmayın.
- Her kullanımdan önce testere bıçağının uçlarını hasar veya anormal görünüş açısından kontrol edin. Hasarlı veya gevşek uçlar kullanım sırasında uçan cisim olabilir ve yaralanma riskini artırabilir.
- Çatlamış ya da eğri, düzgün olmayan testere kullanmayınız. Arızalı ya da deforme olmuş testere kullanmayınız.
- Hasarlı, biçimi bozulmuş, çarpılmış veya çatlamışsa testere bıçağını atın; onarım yasaktır.
- HSS bıçaklar kullanmayın.
- Testere bıçağının doğru monte edildiğinden emin olun, kullanmadan önce mil somununu güvenli bir şekilde sıkın (sıkma torku yaklaşık 12-15 Nm).
- Sabitleme vida ve somunları uygun anahtar vs. kullanılarak sıkılmalıdır.
- Somun anahtarının uzatılması ya da çekici darbeleriyle





sıkıştırmak yasaktır.

- Tüm bıçak ve flanşların temiz olduğundan ve burcun oluklu kenarlarının bıçağa baktığından emin olun.
- Bıçağın doğru yönde döndüğünden emin olun.
- Çalışmadan önce motoru açmadan yapay bir kesim yaparak bıçak pozisyonunu, koruyucuların diğer makine parçalarına göre nasıl çalıştığını ve çalışma parçasını kontrol edin.
- Ürünü asla gözetimsiz bırakmayın.
- Çalıştığı sırada bıçağa yağlama yağı sürmeyin.
- Makine çalışırken ve makine kafası hareketliken asla makine üzerinde temizlik ya da bakım işi yapmayın.
- Makine hareket halindeyken asla bıçağa karşı bir sıkıştırma aleti vs. koyarak makineyi durdurmaya çalışmayın; çok ciddi kazalar meydana gelebilir.
- Bıçak değiştirmeden ya da bakım yapmadan önce ürünü güç kaynağından ayırın ve pil paketini çıkarın.
- Bıçağı paketlerken ve paketten çıkarırken dikkatli olun, keskin bıçak uçları yaralanmanıza neden olabilir.
- Bir testere bıçağı kullanırken bir bıçak tutucu kullanın veya iş eldiveni takın.
- Bıçağı orijinal paketinde veya uygun başka bir pakette, kuru ve bıçağa zarar verebilecek kimyasal maddelerden uzak bir ortamda saklayın.

#### İLAVE GÜVENLİK UYARILARI

- İş parçasını her zaman güvenli ve sıkı bir şekilde kelepçeleysin.
- Tezgâhta kullanılacaksa makinenin düzgün, güvenli ve sağlam bir şekilde monte edildiğini kontrol edin.
- Kulak koruyucu kullanın. Gürültüye maruz kalmak işitme kaybına neden olabilir.
- Ürünü kullanırken her zaman koruyucu gözlük takın. Bıçakların ve tırtıklı materyallerin taşınması için eldivenle birlikte ayaklarınızı kesme alanından düşebilecek iş parçalarından korumak için sağlam, kaymaz ayakkabılar giyilmesi önerilir.
- Ürünü temizlemeden veya herhangi bir bakım gerçekleştirmeden önce fişten çekin veya batarya paketini çıkartın.
- Batarya paketini yalnızca ürün kapalıyken takın.
- Bıçak tamamen durana kadar bıçağın yanındaki alana asla yaklaşmayın.
- Kullanmadan önce, ürünü ve batarya paketini her türlü hasar ve malzeme yorgunluğu açısından dikkatle inceleyin. Ürünün tamamında onarım yalnızca yetkili servis merkezi tarafından gerçekleştirilmelidir.
- Her zaman ürün üzerindeki muhafazaları kullanın. Muhafazalar yerinde değilse ve doğru çalışmıyorsa ürünü kullanmayın.
- Alttaki bıçak muhafazası sadece bıçak iş parçasına indirildiği zaman açılmalı ve her zaman serbest hareket edip otomatik kapanabilmelidir.
- Çalışma sırasında iş parçasını desteklemek için her zaman sabitleyin ve uzatma çubuklarını kullanın.
- Hiçbir zaman ürünü veya işlevini değiştirmeyin. Güvenliğiniz tehlikeye girebilir.

- Çatlak, hasarlı veya deforme olmuş testere bıçaklarını kullanmayın.
- Yüksek hız çeliğinden yapılmış testere bıçaklarını kullanmayın.
- Yalnızca keskin bıçaklar kullanın. Körelmiş bıçakları değiştirin.
- Dingilin niteliğine uygun olmayan bıçaklar düzgün olarak dönmeyecekler ve aletin kontrolünün kaybedilmesine neden olacaklardır. Asla defolu yada uygun olmayan vida ve bıçak kenedi kullanmayınız.
- Yalnızca bu kılavuzda belirtilen EN 847-1 ile uyumlu ahşap işleme bıçaklarını kullanın.
- Testere bıçağını sabitlemek için tedarik edilenler veya talimat kılavuzunda belirtilenler dışında herhangi bir flanş, rondela ve somun kullanmayın.
- Makine de kesilecek malzemeye uygun testere kullanınız. Ürünü asla bu kılavuzda amaçlanan kullanım bölümünde belirtilenler dışında malzemeleri kesmek için kullanmayın.
- Bıçağın aşırı ısınmasını ve keserken plastiği eritmesini önlemek önemlidir.
- Testere bıçağında belirtilen maksimum hıza uymak çok önemlidir, yalnızca alet üzerinde işaretli hıza eşit veya ondan daha yüksek hıza sahip testere bıçaklarını kullanın.
- Tezgah bağlantı ekini aşındığında veya hasar gördüğünde değiştirin.
- Çalışmadan önce motoru açmadan yapay bir kesim yaparak bıçak pozisyonunu, koruyucuların diğer makine parçalarına göre nasıl çalıştığını ve çalışma parçasını kontrol edin.
- Şev, eğimli veya birleşik şevli kesimleri yaparken, kayan perdeyi veya alt perdeyi bıçakla arada doğru mesafe kalacak şekilde ayarlayın.
- Ürünü taşıırken tutamak kilidi her zaman takılı olmalıdır.
- Yerde gevşek malzeme, örneğin talaş ve kesik parçalar bulundurmayın.
- Makine çalışırken ve testere gövdesi aşağıda iken tabla üzerinde herhangi bir temizlik yapmayınız.
- Uzun malzemeler yeterince desteklenmelidir. Testerenin çalışma alanı içine iş parçasının tüm uzunluğu dahildir. Operatör bu alanı, başka kişilerle veya çalışma sırasında iş parçasını hareket ettirebilecek nesnelere teması karşı emniyete almalıdır.
- Ürünü kullanırken ortaya çıkan toz sağlığa zararlı olabilir. Bir toz tahliye sistemi kullanın ve tozdan koruyan nitelikte bir maske takın. Ortaya çıkan tozu, elektrikli süpürge gibi bir makineyle iyice temizleyin.
- Lazeri farklı tipte bir lazerle değiştirmeyin. Her türlü onarımın sadece üretici veya yetkili servis acentesi tarafından yapılması gerekir.
- Alet için ortam sıcaklığı aralığı çalışma sırasında 0°C ile 40°C arasındadır.
- Alet için depolama ortam sıcaklığı aralığı 0°C ile 40°C arasındadır.
- Şarj sırasında şarj sistemi için önerilen ortam sıcaklığı aralığı 10°C ile 38°C arasındadır.



## LİTYUM PİLLERİN NAKLİYESİ

Pili yerel ve ulusal hükümlere ve yönetmeliklere göre nakledin.

Piller üçüncü bir şahıs tarafından nakledilirken ambalaj ve etiket üzerindeki tüm özel gereksinimlere uyun. Açıktaki konektörleri iletken olmayan yalıtım başlıkları veya bandı ile koruyarak pillerin nakliye sırasında diğer pillerle veya iletken materyallerle temas etmediğinden emin olun. Çatlak veya sızıntı yapan pilleri nakletmeyin. Daha fazla bilgi için nakliye şirketine danışın.

### PİL İÇİN EK GÜVENLİK UYARILARI

#### ⚠ UYARI

Bir kısa devreden kaynaklanan yangın, yaralanma veya ürün hasarları tehlikesini önlemek için aleti, güç paketini veya şarj cihazını asla sıvıların içine daldırmayınız ve cihazların ve pillerin içine sıvı girmesini önleyiniz. Tuzlu su, belirli kimyasallar, ağartıcı madde veya ağartıcı madde içeren ürünler gibi korozyif veya iletken sıvılar kısa devreye neden olabilir.

- Batarya için ortam sıcaklığı aralığı çalışma sırasında 0°C ile 40°C arasındadır.
- Batarya için depolama ortam sıcaklığı aralığı 0°C ile 20°C arasındadır.

### LAZER GÜVENLİĞİ

- Testerede kullanılan lazer kılavuz ışması, maksimum  $\leq 1\text{mW}$  ve 650 nm dalga boyuna sahip Sınıf 2'dir. Doğrudan lazer ışınına bakmayın. Kurallara uymamak insanların ciddi bir biçimde yaralanmalarına neden olabilir.
- Kullanım esnasında lazer ışınına bakmayın.
- Lazer ışını başkalarının gözlerine yöneltmeyin. Ciddi göz yaralanmaları meydana gelebilir.
- Lazeri insanların lazer ışınına kasıtlı veya kazayla bakmasına neden olacak bir pozisyonda koymayın.
- Lazer ışınına bakmak için hiç bir optik araç kullanmayın.
- Lazeri çocukların bulunduğu yerde çalıştırmayın veya çocukların lazeri çalıştırmasına izin vermeyin.
- Lazer cihazını kendiniz onarmaya çalışmayın.
- Lazer cihazının hiçbir parçasını kendiniz değiştirmeye çalışmayın.
- Her türlü onarım işlemleri sadece lazer üreticisi ya da yetkili bir servis tarafından gerçekleştirilmelidir.
- Lazeri farklı tipte bir lazerle değiştirmeyin.

### ARDIL RİSKLER

Ürün belirtildiği şekilde kullanıldığı zaman bile belirli artık risk faktörlerinin tamamen ortadan kaldırılması mümkün değildir. Kullanım sırasında aşağıdaki tehlikeler ortaya çıkabilir ve operatör bunlardan kaçınmak için özellikle dikkat etmelidir:

- Döner testere bıçağının korumasız parçalarına temas etme tehlikesi bulunmaktadır.
- Hatalı çalışma prosedürü neticesinde, çalışılan

malzemenin parçalarının sıçraması.

- Testere bıçağından karbür ucu parçalarının fırlaması.
- Solunum sistemi hasar görebilir.  
**NOT:** İşlenecek materyallere uygun filtreler içeren solunum koruma maskeleri takın Çalışma yerinin uygun şekilde havalandırıldığından emin olun. Çalışma alanı içinde bir şey yemeyin, içmeyin veya sigara içmeyin.
- Uygun tipte kulak koruyucusu kullanılmadığında işitme duyusunun zarar görmesi.

#### ⚠ UYARI

Belirli boyalardan, kaplamalardan veya materyallerden kaynaklanan toz solunum sisteminde tahrişe veya alerjik reaksiyona neden olabilir. Meşe, kayın, MDF ve diğer ağaçlar gibi ahşaptan kaynaklanan toz kanserojendir. Asbest içeren materyal yalnızca nitelikli uzman operatörler tarafından işlenmeli ve üzerinde çalışma yapılmalıdır.

#### ⚠ UYARI

Bir aletin uzun süre kullanılması nedeniyle yaralanmalar olabilir veya mevcut yaraların durumu kötüleşebilir. Herhangi bir aleti uzun bir süre boyunca kullanırken düzenli olarak ara vermesi ihmal etmeyin.

### ÜRÜNÜNÜZÜ TANIYIN

Sayfa 215'ya bakın.

1. Tutamak, yalıtılmış kavrama yüzeyi
2. Güç anahtarı
3. Emniyet kilidi kolu
4. Üst bıçak koruyucu
5. Testere bıçağı
6. Alt bıçak koruyucu
7. Ana çit
8. Döner tabla
9. Taban
10. Tezgah bağlantı eki
11. Döner tabla kilit kolu
12. Denge ayağı
13. Devrilme önleme çubuğu
14. Lazer anahtarı
15. Üst tutamak, yalıtılmış kavrama yüzeyi
16. Flanş
17. Braket tespit elemanı
18. Eğim açısı kilit kolu
19. Keleççe
20. Sürgülü çit
21. Montaj deliği
22. Uzatma çubuğu
23. Ana korkuluğu kilitleme vidaları
24. Mil kilitleme düğmesi
25. Batarya kutusu
26. Toz torbası
27. Kesme derinliği ayar düğmesi
28. Azami kesme derinliği tespit elemanı
29. Doğrusal rod durdurma düğmesi
30. Şev açısı sınırı tespit elemanı ayar vidaları
31. Altıgen anahtar

## ÇALIŞTIRMA

Ürün, ürünün taşıyıcı tabanına sağlam bir şekilde sabitlenmiş bir iş parçasını keserken operatör tarafından çeşitli açılarda ayarlanabilen hareketli bir testere bıçağına sahiptir. Hareketli testere bıçağıyla kazara teması önlemek için yalnızca bir kişi tarafından kullanılmalıdır.

Ürünün güvenli kullanımı ilkeleri aşağıdaki gibidir:

- Testereyi, bıçakları ve çalışma alanını iyi durumda muhafaza edin.
- Gönye kesme testeresinin tabanını dayanıklı bir tezgaha sabitleyin. Ürün doğru şekilde sabitlenmezse hareket edebilir ve devrilebilir.
- Kesim yapmadan önce kesme açılarını ve derinliğini ayarlayın ve kilitleyin.
- İş parçasını gönye kesme makinesi taşıyıcı tabanına sabitleyin. Ürünle birlikte verilen kelepçeyi kullanın ve gerektiği durumlarda kesim sırasında iş parçasının kazara hareket etmesini önlemek için ek kelepçeler veya tutma mekanizmaları kullanın.
  - Bıçak korumalarının işleyişinin iş parçasının konumu nedeniyle kısıtlanmadığını kontrol edin.
  - Çit ve ürünün diğer parçalarının bıçak kesme konumuna doğru alçalırken kesilmediğinden emin olun.
- Motoru çalıştırın ve iş parçasını kesmek için yavaşça alçaltmadan önce bıçağın tam hız ulaşmasını bekleyin. Gerektiğinde kesimi tamamlamak için bıçak grubunu geriye doğru kaydırın.
- Bıçak tertibatının, bıçak korumalarının tamamen kapandığı üst konuma gelmesini bekleyin. Motoru kapatın ve iş parçasını veya kesilen parçaları çıkarmadan önce veya bıçak alanına yaklaşmadan önce bıçağın tamamen durmasını bekleyin.

İlk kullanımdan önce ürün üzerinde ayarlı şev veya gönye açısının iş parçası üzerinde meydana gelen açıyla eşleştiğinden emin olun. Bunu bir marangoz takımı veya marangoz gönye kullanarak artık bir tahta parçası üzerinde kontrol edin.

### ⚠ UYARI

Üretici, ürünün her zaman bir tezgah tablasına sabitlenmesini şiddetle önermektedir.

Talimatlarda belirtildiği gibi ürünün tabanı bir tezgaha sıkı bir şekilde dört somun, civata ve pullarla sabitlendiğinde, ürün, devrilme olasılığı olmadan en yüksek eğiklik ve gönye ayarında kullanılabilir. Ürün doğru şekilde sabitlenmemişse geniş şev açıları seçildiğinde ürünün dengesi bozulabilir.

Gönye kesme makinesi taşıyıcı tabanının ön tarafında en son noktasına kadar dışarıya doğru çekilmesi gereken bir çekme çubuğu vardır. Bu, gönye kesme makinesinin dengesinin bozulmasını önler.

Uzatma döner tablasının tabanından dışarıya uzanan bir ayar vidası da (denge ayağı) vardır. Bu vida ürünün dayandığı düz yüzeye dokunacak şekilde ayarlanmalıdır. Bu, tam kızak ve gönye boyunda kesim yapıldığında ürünün dengesinin bozulmasını da önler. Testere tezgahının bu parçasının farklı gönce açıları seçildiğinde hareket ettiğini,

bu nedenle vidanın sık sık ayarlanması ve sıfırlanması gerektiğine dikkat edin.

## BAKIM

- Ürünü herhangi bir şekilde değiştirmeyin veya üretici tarafından onaylanmamış aksesuarlar kullanmayın. Sizin ve diğer kişilerin güvenliği tehlikeye girebilir.
- Herhangi bir şalter, koruma veya başka bir fonksiyon amaçlandığı şekilde çalışmıyorsa ürünü kullanmayın. Profesyonel onarım veya ayar işlemi için yetkili bir servis merkezine gönderin.
- Testere bıçağı hareket halindeyken herhangi bir ayar yapmayın.
- Ayar yaparken, yağlarken veya ürün üzerinde herhangi bir bakım yaparken batarya paketinin üründen çıkartılmış olduğundan emin olun.
- Her kullanımdan önce ve sonra ürünü hasara veya kırık parçalara karşı kontrol edin. Hasarlı parçaları hemen üretici tarafından onaylanan yedek parçalarla değiştirerek ürünü en iyi çalışma durumunda tutun.
- Bıçağın keskin kenarları vardır ve aynı zamanda kesme işlemlerinden sonra sıcaklığını korur. Açıkta bıçağı temizlerken her zaman azami dikkat gösterin. Kendinizi kişisel yaralanmalardan korumak için eldiven takın.
- Testerenin ve aksesuarların özellikle de bıçak muhafazası gibi hareketli parçaların tozunu düzenli olarak temizleyin. Bir el fırçası veya elektrikli süpürge kullanarak tozu etkili bir şekilde temizleyin. Basıncılı hava kullanmayın.
- Güvenli ve güvenilir olmasını sağlamak için fırçaların değiştirilmesi de dahil tüm onarım çalışmaları yetkili bir servis merkezi tarafından gerçekleştirilmelidir.

### ⚠ UYARI

Temizlemek veya onarmak için bıçak muhafazası grubunu sökmeye çalışmayın. Hasarlı muhafazalar kullanılmamalıdır. Onarım veya değiştirme için yetkili bir servis merkezine iade edin.

### ⚠ UYARI

Güvenliği ve güvenilirliği arttırmak için tüm onarım çalışmaları yetkili bir servis merkezi tarafından gerçekleştirilmelidir.

## Gönye ve şev açısı kalibrasyonu

Gönye ve şev açısı kalibrasyonu gerekiyorsa, 236 ila 242. sayfalara bakın ve kalibrasyon talimatını izleyin.

## Azami kesme derinliği tespit elemanı

Azami kesme derinliği tespit elemanının amacı, testere bıçağının ünitenin metal taşıyıcı tabanını kesmesini önlemektir.

## ⚠ UYARI

Azam kesme derinliği tespit elemanı kullanıcı tarafından ayarlanamaz. Azami kesme derinliği tespit elemanını ayarlamayın.

## TAŞIMA VE SAKLAMA

- Ürünü muhafaza ederken batarya paketini sökün. Ürünü çocukların erişemeyeceği güvenli bir yerde saklayın.
- Depolamadan önce ürünü bir fırça ve elektrikli süpürge kullanarak temizleyin.
- Testere bıçağını çıkartırsanız veya yedekleri üniteye tutarsanız yaralanmayı önlemek için orijinal ambalajlarında olduklarından emin olun.

### Taşıma öncesi ürünü sabitlemek için:

- Ürün sıfır derece gönye ve şev açısında saklanmalı ve yerine kilitlemelidir. Kızak kilitlemelidir. Kol, korumalar kapalı halde alt (güvenli) konuma kilitlemelidir.
- Uzatma çubuklarının bir tarafı veya her iki tarafı da kolay taşıma amacıyla sökülebilir.

### Bir araçla taşımak veya nakletmek için:

- Ürünü taşımadan önce kılavuzda açıklandığı gibi sabitleyin.
- Her köşede bir tane bulunan 4 civatayı sökerek ürünü tezgah tablasından ayırın. Civataları ileride kullanmak üzere saklayın. Ürünü üst kısımdaki kulpu kullanarak kaldırın.
- Yüksek bir noktaya kaldırırken ürünün taşıyıcı tabanını kaldırmak için ağır iş eldivenleri giyen iki kişi gerekir.
- Bir araç içinde taşırken ürünü taşıyıcı tabanı üzerine yerleştirin ve hareket etmemesi için sabitleyin.

## ÇEVRENİN KORUNMASI



Ham maddeleri çöp olarak atmak yerine geri dönüştürün. Çevreyi korumak için, alet, aksesuarlar ve ambalajlar tasnif edilmelidir.

## ÜRÜN ÜZERİNDEKİ SEMBOLLER



Güvenlik ikazı



CE uygunluğu



EurAsian Uyumluluk işareti



Ukrayna uygunluk işareti



Makineyi çalıştırmadan talimatları dikkatlice okuyun.



Koruyucu kulaklık kullanın



Her zaman koruyucu gözlük kullanın.



Ellerinizin bıçağın kesin alanından uzak tutun.



Yağmura maruz bırakmayın veya nemli yerlerde kullanmayın.



Emniyet eldivenleri giyin



Bıçak dönme yönü (testere bıçağında gösterilir)



Bıçak dönüş yönü (bıçak koruması üzerinde gösterilmektedir)



Bıçak kesme genişliği (Kerf)



Bu testere bıçağındaki diş sayısı



Kesim kapasitesi



Ahşap veya benzeri materyalleri kesmek içindir



Metal kesimine uygun değildir



Lazer radyasyonu.  
Lazer ışınına doğrudan bakmayın.  
Sınıf 2 lazer ürünü



Atık elektrikli ürünler evsel atıklarla birlikte atılmamalıdır. Tesis bulunuyorsa lütfen geri dönüşüme verin. Geri dönüşümle ilgili tavsiye için Yerel Makamlarla veya bayi ile irtibat kurun.

## KİTAPÇIKTAKİ SEMBOLLER



Kilit



Kilidi açma



Kilit mekanizması çalışmıyor



Parçalar ya da aksesuarlar ayrı olarak satılır.



Not



Uyari

Aşağıdaki işaret sözcükleri ve anlamları, bu ürünle ilişkili risk seviyelerini açıklamaya yöneliktir:

**⚠ TEHLİKE**

Önlenmemesi durumunda ölüm veya ciddi yaralanma ile sonuçlanacak, tehdit edici tehlikeli bir durumu gösterir.

**⚠ UYARI**

Önlenmemesi durumunda ölüm veya ciddi yaralanma ile sonuçlanabilecek potansiyel olarak tehlikeli bir durumu gösterir.

**⚠ DİKKAT**

Önlenmemesi durumunda önemsiz veya orta derece yaralanma ile sonuçlanabilecek potansiyel olarak tehlikeli bir durumu gösterir.

**DİKKAT**

(Güvenlik uyarı simgesiz) maddi hasarla sonuçlanabilecek bir durum belirtir.



Κατά το σχεδιασμό του φαλτσοπρίνου δόθηκε ιδιαίτερη προτεραιότητα στην ασφάλεια, την απόδοση και την αξιοπιστία του.

### ΠΡΟΟΡΙΖΟΜΕΝΗ ΧΡΗΣΗ

Το φαλτσοπρίνο συνεχούς ρεύματος προορίζεται για την κοπή συμπαγούς και συσσωματωμένου ξύλου και υλικών παρόμοιων με ξύλο με ή χωρίς καπλάμα, καθώς και πλαστικών.

Το εργαλείο προορίζεται για χρήση μόνο από ενήλικες χειριστές που έχουν διαβάσει το εγχειρίδιο χρήσης και έχουν κατανοήσει τους κινδύνους.

Το κολωνάτο δράπανο έχει σχεδιαστεί για στερέωση σε βάση που βρίσκεται σε σταθερό πάγκο εργασίας. Εάν η βάση δεν είναι καλά στερεωμένη, ολόκληρη η μηχανή μπορεί να μετακινηθεί κατά τη διάρκεια εργασιών κοπής, γεγονός που αυξάνει την πιθανότητα σοβαρής σωματικής βλάβης.

Το μηχάνημα έχει σχεδιαστεί για λοξή και φάσα κοπή. Οι παρεχόμενες επιλογές κοπής για κάθε περίπτωση, αναφέρονται στις προδιαγραφές προϊόντος, στο παρόν εγχειρίδιο.

Το κολωνάτο δράπανο προορίζεται για χρήση σε στεγνό περιβάλλον, με άριστο φωτισμό χώρου και επαρκή εξαερισμό.

Το προϊόν διατίθεται για καταναλωτική χρήση και πρέπει να χρησιμοποιείται μόνο σύμφωνα με την παραπάνω περιγραφή και για κανέναν άλλο σκοπό.

### ΓΕΝΙΚΕΣ ΣΥΣΤΑΣΕΙΣ ΑΣΦΑΛΕΙΑΣ ΧΡΗΣΗΣ ΗΛΕΚΤΡΟΚΙΝΗΤΩΝ ΕΡΓΑΛΕΙΩΝ

#### ▲ ΠΡΟΕΙΔΟΠΟΙΗΣΗ

**Διαβάστε προσεκτικά όλες τις προειδοποιήσεις, οδηγίες και προδιαγραφές που παρέχονται με το εργαλείο και ανατρέξτε στις εικόνες.** Η μη τήρηση των ακόλουθων οδηγιών μπορεί να επιφέρει ατυχήματα όπως πυρκαγιάς, ηλεκτροπληξίες ή και σοβαρό σωματικό τραυματισμό.

**Φυλάσσετε όλες τις προειδοποιήσεις και οδηγίες για μελλοντική χρήση.** Ο όρος "μηχάνημα" στις προειδοποιήσεις αναφέρεται αναφέρεται στο χειροκίνητο (ενσύρματο) μηχάνημα ή σε μηχάνημα (ασύρματο) που λειτουργεί με μπαταρία.

#### ΑΣΦΑΛΕΙΑ ΣΤΟΝ ΧΩΡΟ ΕΡΓΑΣΙΑΣ

- Διατηρείτε τον χώρο εργασίας καθαρό και καλά φωτισμένο. Χώροι με υπερβολικά αντικείμενα ή μη φωτισμένοι προκαλούν ατυχήματα.
- Μην χρησιμοποιείτε ηλεκτροκίνητα προϊόντα σε κερκτικές ατμόσφαιρες, όπως στην παρουσία εύφλεκτων υγρών, αερίων ή σκόνης. Τα ηλεκτροκίνητα εργαλεία δημιουργούν σπινθήρες που μπορεί να προκαλέσουν ανάφλεξη στη σκόνη ή τις αναθυμιάσεις.
- Διατηρείτε τα παιδιά και τους παριστάμενους μακριά όσο χρησιμοποιείτε μηχανοκίνητα εργαλεία. Οι αποστάσεις μπορούν να προκαλέσουν

απώλεια ελέγχου.

#### ΗΛΕΚΤΡΙΚΗ ΑΣΦΑΛΕΙΑ

- Τα βύσματα των μηχανοκίνητων εργαλείων πρέπει να ταιριάζουν με την πρίζα. Μην τροποποιείτε ποτέ το βύσμα με οποιονδήποτε τρόπο. Μην χρησιμοποιείτε βύσματα προσαρμογέα με γειωμένα μηχανοκίνητα εργαλεία. Μη τροποποιημένα βύσματα και αντίστοιχες πρίζες μειώνουν τον κίνδυνο ηλεκτροπληξίας.
- Αποφύγετε την επαφή με γειωμένες επιφάνειες όπως σωλήνες, καλοριφέρ, εστίες και ψυγεία. Αν το σώμα σας γειωθεί, υπάρχει αυξημένος κίνδυνος ηλεκτροπληξία.
- Μην εκθέτετε τα ηλεκτροκίνητα εργαλεία σε βροχή ή συνθήκες υγρασίας. Η είσοδος νερού σε ηλεκτροκίνητα εργαλεία αυξάνει τον κίνδυνο ηλεκτροπληξίας.
- Προσέχετε στη χρήση του καλωδίου. Μην χρησιμοποιείτε ποτέ το καλώδιο για να μεταφέρετε, τραβήξε ή αποσυνδέετε το μηχανοκίνητο εργαλείο. Διατηρείτε το καλώδιο μακριά από θερμότητα, λάδι, αιχμηρές γωνίες ή κινούμενα εξαρτήματα. Φθαρμένα ή μπερδεμένα καλώδια αυξάνουν τον κίνδυνο ηλεκτροπληξίας.
- Όταν χρησιμοποιείτε μηχανοκίνητα εργαλεία σε εξωτερικούς χώρους, χρησιμοποιείτε και καλώδιο προέκτασης κατάλληλο για εξωτερική χρήση. Η χρήση κατάλληλου καλωδίου για εξωτερικούς χώρους μειώνει τον κίνδυνο ηλεκτροπληξίας.
- Όταν χρησιμοποιείτε μηχανοκίνητα εργαλεία σε νωπή τοποθεσία, χρησιμοποιείτε διάταξη προστασίας ρεύματος διαροής (RCD). Η χρήση RCD μειώνει τον κίνδυνο ηλεκτροπληξίας.

#### ΠΡΟΣΩΠΙΚΗ ΑΣΦΑΛΕΙΑ

- Παραμείνετε σε εγρήγορση, προσέχετε τι κάνετε και χρησιμοποιείτε την κοινή λογική κατά τη χρήση του εργαλείου. Μην χρησιμοποιείτε το προϊόν αν είστε κουρασμένοι ή υπό την επήρεια ναρκωτικών, αλκοόλ ή φαρμάκων. Μια στιγμή απροσεξίας κατά τον χειρισμό ηλεκτροκίνητων εργαλείων, αρκεί για να προκληθεί σοβαρός τραυματισμός.
- Να φοράτε μέσα ατομικής προστασίας. Φοράτε πάντα προστατευτικά ματιών. Ο προστατευτικός εξοπλισμός, όπως προσωπίδα κατά της σκόνης, αντιολισθητικά παπούτσια, σκληρό καπέλο και προστατευτικά αυτιών, συμβάλουν στην πρόληψη τραυματισμών, εφόσον χρησιμοποιούνται σωστά.
- Αποφύγετε τις τυχαίες εκκινήσεις. Βεβαιωθείτε ότι ο διακόπτης βρίσκεται στην απενεργοποιημένη θέση πριν συνδεθείτε με την παροχή ρεύματος ή/και την μπαταρία, όταν σηκώνετε ή μεταφέρετε το προϊόν. Η μεταφορά προϊόντων με μπαταρία με το δάχτυλό σας στο διακόπτη ή ενεργοποίηση προϊόντων μπαταρίας με ενεργοποιημένο το διακόπτη μπορεί να προκαλέσει ατύχημα.
- Αφαιρέστε τυχόν κλειδιά πριν ενεργοποιήσετε το μηχανοκίνητο εργαλείο. Ένα κλειδί αφημένο σε περιστεφόμενο μέρος του μηχανοκίνητου εργαλείου μπορεί να προκαλέσει τραυματισμούς.

|    |
|----|
| EN |
| FR |
| DE |
| ES |
| IT |
| NL |
| PT |
| DA |
| SV |
| FI |
| NO |
| RU |
| PL |
| CS |
| HU |
| RO |
| LV |
| LT |
| ET |
| HR |
| SL |
| SK |
| BG |
| UK |
| TR |
| EL |





- **Μην τεντώνεστε. Διατηρείτε σταθερό πάτημα και ισορροπία συνεχώς.** Έτσι θα έχετε καλύτερο έλεγχο του μηχανοκίνητου εργαλείου σε περίπτωση απρόσμενων συνθηκών.
- **Ντυθείτε κατάλληλα. Μην φοράτε χαλαρά ρούχα ή κοσμήματα. Κρατήστε τα μαλλιά και τα χέρια σας μακριά από κινούμενα μέρη.** Τα χαλαρά ρούχα, κοσμήματα ή μακριά μαλλιά μπορούν να πιαστούν στα κινούμενα εξαρτήματα.
- **Εάν παρέχονται συσκευές για τη διασύνδεση εξαρτημάτων εξαγωγής και συλλογής σκόνης, βεβαιωθείτε ότι είναι συνδεδεμένες και ότι χρησιμοποιούνται σωστά.** Η χρήση εξαρτημάτων συλλογής σκόνης μπορεί να αποτρέψει τυχόν επικίνδυνες καταστάσεις που σχετίζονται με τη σκόνη.
- **Μην παραλείπετε την εφαρμογή των κανόνων ασφάλειας της συσκευής όσο κι έχετε εξοικειωθεί με την χρήση της.** Οποιαδήποτε απροσεξία μπορεί να προκαλέσει σοβαρό τραυματισμό εντός δευτερολέπτων.

#### ΧΡΗΣΗ ΚΑΙ ΦΡΟΝΤΙΔΑ ΕΡΓΑΛΕΙΟΥ

- **Μην πιέζετε υπερβολικά το εργαλείο.** Χρησιμοποιείτε το σωστό προϊόν για την εφαρμογή σας. Το σωστό προϊόν ολοκληρώνει την εργασία σας καλύτερα και με περισσότερη ασφάλεια, με την ταχύτητα για την οποία έχει σχεδιαστεί.
- **Μην χρησιμοποιείτε το μηχανοκίνητο εργαλείο αν ο διακόπτης δεν το ενεργοποιεί και απενεργοποιεί.** Μηχανοκίνητα εργαλεία που δεν ελέγχονται με τον διακόπτη τους, είναι επικίνδυνα και θα πρέπει να επισκευάζονται.
- **Πριν από τη διεξαγωγή οποιωνδήποτε ρυθμίσεων ή την αντικατάσταση εξαρτημάτων, αποσυνδέετε το φως από την παροχή ρεύματος και/ή τις μπαταρίες από το ηλεκτρικό εργαλείο, εφόσον αυτές αφαιρούνται.** Αυτού του είδους τα προληπτικά μέτρα ασφαλείας μειώνουν τον κίνδυνο τυχαίας έναρξης του προϊόντος.
- **Φυλάσσετε τα μηχανοκίνητα εργαλεία που δεν χρησιμοποιείτε μακριά από παιδιά και μην αφήνετε άτομα που δεν είναι εξοικειωμένα μαζί τους ή με αυτές τις οδηγίες να τα χρησιμοποιούν.** Τα μηχανοκίνητα εργαλεία είναι επικίνδυνα όταν χρησιμοποιούνται από μη εκπαιδευμένους χρήστες.
- **Συντηρείτε τα ηλεκτρικά εργαλεία και εξαρτήματα. Ελέγχετε για προβλήματα στην ευθυγράμμιση ή πάσιμο των κινούμενων εξαρτημάτων, σπάσιμο εξαρτημάτων και άλλες καταστάσεις που μπορεί να επηρεάζουν τη λειτουργία του εργαλείου. Σε περίπτωση ζημιάς, επισκευάστε το προϊόν πριν τη χρήση.** Πολλά ατυχήματα προκαλούνται εξαιτίας κακής συντήρησης στα εργαλεία.
- **Διατηρείτε τα εργαλεία κοπής αιχμηρά και καθαρά.** Τα σωστά συντηρημένα εργαλεία με ακονισμένες άκρες είναι λιγότερο πιθανό να στομώσουν και ελέγχονται ευκολότερα.
- **Χρησιμοποιείτε το προϊόν, τα εξαρτήματα και τις μύτες του εργαλείου, κ.λπ., σύμφωνα με τις παρούσες οδηγίες, συνυπολογίζοντας τις συνθήκες εργασίας και την εργασία που πρέπει να**

εκτελεστεί. Η χρήση του μηχανοκίνητου εργαλείου για εργασίες διαφορετικές από τις προοριζόμενες μπορεί να προκαλέσει κινδύνους.

- **Διατηρείτε τις λαβές και τις επιφάνειες συγκράτησης στεγνές και καθαρές χωρίς λάδια και γράσα.** Τυχόν γλιστερές λαβές και επιφάνειες συγκράτησης δεν επιτρέπουν τον ασφαλή χειρισμό και τον έλεγχο του εργαλείου σε μη αναμενόμενες καταστάσεις.

#### ΧΡΗΣΗ ΚΑΙ ΦΡΟΝΤΙΔΑ ΕΡΓΑΛΕΙΟΥ ΜΕ ΜΠΑΤΑΡΙΕΣ.

- **Επαναφορτίστε μόνο με το φορτιστή που καθορίζει ο κατασκευαστής.** Κάθε φορτιστής μπορεί να είναι κατάλληλος μόνο για έναν τύπο μπαταρίας και να προκαλέσει κίνδυνο φωτιάς αν χρησιμοποιηθεί με μπαταρία άλλου τύπου.
- **Χρησιμοποιείτε μόνο τις ειδικά σχεδιασμένες μπαταρίες για τα ηλεκτρικά εργαλεία.** Χρήση τυχόν άλλων μπαταριών μπορεί να προκαλέσει κίνδυνο τραυματισμού και πυρκαγιάς.
- **Όταν η μπαταρία δεν χρησιμοποιείται, διατηρείτε την μακριά από άλλα μεταλλικά αντικείμενα όπως συνδετήρες, κέρματα, κλειδιά, καρφιά, βίδες ή άλλα μικρά μεταλλικά αντικείμενα που μπορούν να δημιουργήσουν σύνδεση μεταξύ των τερματικών.** Τυχόν ένωση των άκρων των μπαταριών μπορεί να προκαλέσει εγκαύματα ή φωτιά.
- **Υπό συνθήκες κακής χρήσης, μπορεί να εκρυσταίει υγρό από την μπαταρία. Αποφύγετε την επαφή. Αν προκύψει τυχαία επαφή, ξεπλύνετε με νερό. Αν το υγρό έρθει σε επαφή με τα μάτια, ζητήστε πρόσθετη ιατρική βοήθεια.** Υγρό που εκρέει από την μπαταρία μπορεί να προκαλέσει ερεθισμό ή εγκαύματα.
- **Μη χρησιμοποιείτε μπαταρίες ή εργαλεία, τα οποία έχουν υποστεί τροποποιήσεις ή φέρουν φθορές.** Οι μπαταρίες που έχουν υποστεί τροποποιήσεις ή βλάβες ενδέχεται να εμφανίσουν απρόβλεπτη συμπεριφορά με αποτέλεσμα φωτιά, έκρηξη ή κίνδυνο τραυματισμού.
- **Μην επιτρέπετε την έκθεση μπαταριών ή εργαλείων σε φωτιά ή πολύ υψηλή θερμοκρασία.** Η έκθεση σε φωτιά ή θερμοκρασία υψηλότερη των 130°C μπορεί να προκαλέσει έκρηξη.
- **Ακολουθείτε όλες τις οδηγίες φόρτισης. Μην φορτίζετε τις μπαταρίες ή το εργαλείο υπό θερμοκρασίες εκτός αυτών που αναφέρονται στις οδηγίες.** Η λανθασμένη φόρτιση ή φόρτιση υπό θερμοκρασίες εκτός αυτών που αναφέρονται, μπορεί να προκαλέσει ζημιά στη μπαταρία και να αυξήσει τον κίνδυνο φωτιάς.

#### ΣΥΝΤΗΡΗΣΗ

- **Επισκευάστε το μηχανοκίνητο εργαλείο σας από ειδικευμένους τεχνικούς, χρησιμοποιώντας μόνο πανομοιότυπα ανταλλακτικά.** Έτσι θα διασφαλιστεί η διατήρηση της ασφάλειας του εργαλείου.
- **Ποτέ μην επισκευάζετε μπαταρίες με βλάβη.** Η επισκευή μπαταριών μπορεί να εκτελεστεί μόνο από τον κατασκευαστή ή εξουσιοδοτημένους παροχείς σέρβις.







## ΟΔΗΓΙΕΣ ΑΣΦΑΛΕΙΑΣ ΓΙΑ ΦΑΛΤΣΟΠΡΙΟΝΑ

- Τα φαλτσοπρίονα προορίζονται για την κοπή ξύλου ή υλικών παρόμοιων με ξύλο. Δεν πρέπει να χρησιμοποιούνται με λειαντικούς τροχούς εκχονδρίσεως για την κοπή σιδηρούχων υλικών όπως μπάρες, ράβδοι ή κολλάρα. Η λειαντική σκόνη μπορεί να φρακάρει τα κινούμενα μέρη όπως τον κάτω προφυλακτήρα. Οι σπίθες από το τρίψιμο θα κάψουν τον κάτω προφυλακτήρα, το ένθετο κοπής και άλλα πλαστικά μέρη.
- Χρησιμοποιήστε σφιγκτήρες για να υποστηρίξετε το κατεργαζόμενο τεμάχιο όποτε είναι δυνατόν. Εάν στηρίζετε το τεμάχιο κοπής με το χέρι, πρέπει πάντα να κρατάτε το χέρι σας τουλάχιστον 100 χιλ. μακριά από κάθε πλευρά της λεπίδας. Μην χρησιμοποιείτε το φαλτσοπρίονο για κοπή κομματιών που είναι πολύ μικρά ώστε να στερεωθούν ή να κρατηθούν με το χέρι. Εάν το χέρι σας βρίσκεται πολύ κοντά στη λεπίδα του φαλτσοπρίονου, υπάρχει αυξημένος κίνδυνος τραυματισμού από την επαφή με τη λεπίδα.
- Το τεμάχιο εργασίας πρέπει να παραμείνει ακίνητο και στερεωμένο ή να κρατιέται πάνω στον προφυλακτήρα και το τραπέζι. Μην τροφοδοτείτε το τεμάχιο εργασίας στη λεπίδα και σε καμία περίπτωση, μην κόβετε με ελεύθερο χέρι. Τυχόν μη στερεωμένα ή κινούμενα τεμάχια εργασίας μπορεί να πεταχτούν με δύναμη και να προκαλέσουν τραυματισμό.
- Σπρώξτε το φαλτσοπρίονο ώστε να διαπεράσει το τεμάχιο εργασίας. Μην τραβήξτε το φαλτσοπρίονο από το τεμάχιο εργασίας. Για να κόψετε, σηκώστε την κεφαλή του πριονιού και τραβήξτε τη προς τα έξω, πάνω από το τεμάχιο εργασίας χωρίς να κόψετε. Ενεργοποιήστε το μηχανήμα, πιέστε την κεφαλή προς τα κάτω και σπρώξτε το πριόνι μέσα από το τεμάχιο εργασίας. Εάν κόψετε τραβώντας, είναι πιθανό να ανέβει η λεπίδα πάνω από το τεμάχιο εργασίας και να εκσφενδονιστεί η διάταξη λεπίδας προς τον χειριστή.
- Ποτέ μην περνάτε το χέρι σας πάνω από την προκαθορισμένη γραμμή κοπής είτε εμπρός είτε πίσω από τη λεπίδα του φαλτσοπρίονου. Είναι πολύ επικίνδυνο να κρατάτε το τεμάχιο εργασίας με το δεξί σας χέρι στην αριστερή πλευρά της λεπίδας και αντίστροφα.
- Μην ακουμπάτε το χέρι σας πίσω από τον οδηγό, σε μικρότερη απόσταση από 100 χιλ. από τη λεπίδα, ενόσω αυτή κινείται, προκειμένου να απομακρύνετε πριονίδια ή για οποιοδήποτε άλλο λόγο. Είναι πιθανό να μην αντιληφθείτε πόσο κοντά βρίσκεται η κινούμενη λεπίδα στο χέρι σας και να τραυματιστείτε σοβαρά.
- Ελέγξτε το τεμάχιο εργασίας πριν την κοπή. Εάν το τεμάχιο εργασίας είναι κυρτωμένο ή παραμορφωμένο, στερεώστε το με την εξωτερική κυρτωμένη πλευρά του προς τον οδηγό. Πάντοτε να βεβαιώνετε ότι δεν υπάρχει κενό ανάμεσα στο τεμάχιο εργασίας, τον οδηγό και το τραπέζι κατά μήκος της γραμμής κοπής. Τυχόν λυγισμένα ή παραμορφωμένα τεμάχια εργασίας μπορεί να περιστραφούν ή να μετακινηθούν και να μαγκώσει

η λεπίδα μέσα τους κατά τη διάρκεια της κοπής. Το τεμάχιο εργασίας δεν πρέπει να φέρει καρφιά ή άλλα ξένα αντικείμενα.

- Πριν τη χρήση του φαλτσοπρίονου, απομακρύνετε από το τραπέζι όλα τα εργαλεία, τα πριονίδια κτλ. και αφήστε μόνο το τεμάχιο εργασίας. Σκουπιδιάκια, χαλαρά κομμάτια ξύλου ή άλλα αντικείμενα μπορεί να εκτοξευτούν με δύναμη εάν έρθουν σε επαφή με την περιστρεφόμενη λεπίδα.
- Κόβετε μόνο ένα τεμάχιο εργασίας τη φορά. Στοιβαγμένα τεμάχια εργασίας δε μπορούν να στερεωθούν ή να στηριχτούν σωστά και μπορεί να μαγκώσουν στη λεπίδα ή να μετακινηθούν κατά την κοπή.
- Πριν από την χρήση, βεβαιωθείτε ότι το φαλτσοπρίονο είναι στερεωμένο ή τοποθετημένο σε επίπεδη και σταθερή επιφάνεια εργασίας. Μια επίπεδη και σταθερή επιφάνεια μειώνει τον κίνδυνο αστάθειας του φαλτσοπρίονου.
- Σχεδιάστε την εργασία σας. Κάθε φορά που αλλάζετε την κλίση ή τη ρύθμιση γωνίας του φαλτσοπρίονου, να βεβαιώνετε ότι ο ρυθμιζόμενος οδηγός έχει ρυθμιστεί σωστά ώστε να υποστηρίζει το τεμάχιο εργασίας και ότι δεν πρόκειται να παρεμβληθεί στη λεπίδα ή στους προφυλακτήρες. Δίχως να θέσετε το εργαλείο σε λειτουργία (Θέση "ON") και χωρίς τεμάχιο εργασίας στο τραπέζι, μετακινήστε τη λεπίδα, με τον ίδιο τρόπο όπως όταν θέλετε να κάνετε μια κοπή, για να διασφαλίσετε ότι δεν θα υπάρξει καμία παρεμβολή και ότι δεν υπάρχει κίνδυνος να κόψετε τον οδηγό.
- Χρησιμοποιήστε κατάλληλα υποστηρικτικά, όπως προεκτάσεις τραπέζιού, καβαλέτα κ.α., στην περίπτωση που το τεμάχιο εργασίας είναι πλατύτερο ή μακρύτερο από το τραπέζι σας. Τα τεμάχια εργασίας που είναι μακρύτερα ή πλατύτερα από το τραπέζι του φαλτσοπρίονου ενδέχεται να γείρουν αν δε στερεωθούν σωστά. Αν το κομμένο κομμάτι ή το τεμάχιο εργασίας γέρνει, ενδέχεται να σηκώσει τον κάτω προφυλακτήρα ή να εκσφενδονιστεί από την περιστρεφόμενη λεπίδα.
- Μην χρησιμοποιείτε άλλο άτομο αντί για προέκταση τραπέζιού ή για επιπλέον υποστήριξη. Τυχόν ασταθής υποστήριξη του τεμαχίου εργασίας μπορεί να προκαλέσει μάγκωμα της λεπίδας ή μετακίνηση του τεμαχίου εργασίας κατά τη διαδικασία κοπής και να τραβηχτεί εσείς και ο βοηθός σας προς την περιστρεφόμενη λεπίδα.
- Το κομμένο κομμάτι δεν πρέπει να σφηνώνει ή να πιέζεται με κανέναν τρόπο πάνω στην περιστρεφόμενη λεπίδα. Εάν περιοριστεί, π.χ. με χρήση βιδών, το κομμένο κομμάτι μπορεί να σφηνωθεί πάνω στη λεπίδα και να εκσφενδονιστεί με ορμή.
- Χρησιμοποιείτε πάντα σφιγκτήρες ή κάποια διάταξη κατάλληλη για την υποστήριξη κυλινδρικών αντικειμένων, όπως ράβδους ή σωλήνες. Οι ράβδοι έχουν την τάση να κυλούν ενώ κόβονται πράγμα που προκαλεί αναπήδηση της λεπίδας και τράβηγμα του αντικείμενου που κρατάτε στη λεπίδα.
- Αφήστε τη λεπίδα να φτάσει στην τελική της ταχύτητα πριν τη φέρετε σε επαφή με το





**τεμάχιο εργασίας.** Αυτό θα μειώσει τις πιθανότητες εκσφενδονισμού του τεμαχίου εργασίας.

- Σε περίπτωση εμπλοκής του τεμαχίου εργασίας ή της λεπίδας, απενεργοποιήστε το φλαιοσπίριο. Περιμένετε να σταματήσουν όλα τα κινούμενα μέρη και αποσυνδέστε το φως από την παροχή ρεύματος και/ή αφαιρέστε τις μπαταρίες από το εργαλείο. Μετά δοκιμάστε να βγάλετε το σφηνωμένο αντικείμενο. Εάν συνεχίσετε την κοπή με σφηνωμένο το τεμάχιο εργασίας, ενδέχεται να χάσετε τον έλεγχο του εργαλείου ή να του προκαλέσετε ζημιά.
- Αφού τελειώσετε το κόψιμο, αφήστε το διακόπτη, κρατήστε την κεφαλή προς τα κάτω και περιμένετε να σταματήσει να κινείται η λεπίδα, πριν αφαιρέσετε το κομμένο κομμάτι. Είναι επικίνδυνο να πλησιάσετε το χέρι σας κοντά στην περιστρεφόμενη λεπίδα.

### ΟΔΗΓΙΕΣ ΑΣΦΑΛΕΙΑΣ ΓΙΑ ΛΕΠΙΔΑ ΚΟΠΗΣ ΞΥΛΟΥ

- Παρακαλείστε να διαβάσετε καλά το εγχειρίδιο χρήσης και τις οδηγίες πριν χρησιμοποιήσετε τη λεπίδα του πριονιού και το εργαλείο.
- Το ηλεκτρικό εργαλείο θα πρέπει να βρίσκεται σε καλή κατάσταση, ενώ ο άξονας δεν θα πρέπει να είναι παραμορφωμένος ή να δονείται.
- Μην χρησιμοποιείτε τη συσκευή χωρίς να είναι οι προφυλακτήρες στη θέση τους. Διατηρείτε τα προστατευτικά σε καλή κατάσταση και συντηρείτε τα.
- Βεβαιωθείτε ότι ο χειριστής είναι επαρκώς ενημερωμένος αναφορικά με τις προφυλάξεις ασφάλειας, τη ρύθμιση και τη λειτουργία του εργαλείου.
- Φοράτε πάντοτε προστατευτικά γυαλιά και προστατευτικά αυτιών κατά τη χρήση του εργαλείου. Συνιστάνται τα προστατευτικά γάντια, τα σταθερά και αντιολισθητικά παπούτσια και η ποδιά.
- Πριν χρησιμοποιήσετε οποιοδήποτε εξάρτημα, συμβουλευτείτε το εγχειρίδιο χρήσης. Η μη ενδεδειγμένη χρήση ενός εξαρτήματος μπορεί να προκαλέσει υλική ζημία και να αυξήσει την πιθανότητα τραυματισμού.
- Χρησιμοποιείτε μόνο λεπίδες που ορίζονται στο παρόν εγχειρίδιο, σύμφωνα με το EN 847-1.
- Τηρείτε τη μέγιστη ταχύτητα που ενδείκνυται στην λεπίδα κόπτη. Βεβαιωθείτε ότι η ταχύτητα που αναγράφεται στην λεπίδα κόπτη είναι τουλάχιστον ίση με την ταχύτητα που αναγράφεται στον κόπτη.
- Οι ακατάλληλοι για τον άξονα στον οποίο θα τοποθετηθούν δίσκοι δεν θα περιστραφούν σωστά και μπορούν να σας κάνουν να χάσετε τον έλεγχο του εργαλείου. Μην χρησιμοποιείτε ποτέ ελαττωματικές ή ακατάλληλες βίδες ή φλάντζες δίσκου.
- Μην χρησιμοποιείτε λεπίδες μεγαλύτερης ή μικρότερης διαμέτρου από το προτεινόμενο. Μην χρησιμοποιείτε σφήνες για να κάνετε τη λεπίδα να εφαρμόσει στην άτρακτο.
- Ελέγχετε τις ακμές της λάμας για ενδεχόμενη ζημία ή ασυνήθη όψη, πριν από κάθε χρήση. Οι ακμές που φέρουν φθορά ή δεν είναι σωστά σταθεροποιημένες ενδέχεται να εκσφενδονιστούν, αυξάνοντας την πιθανότητα τραυματισμού.
- Τεμάχια κατεργασίας μεγάλου μήκους πρέπει

να στηρίζονται κατάλληλα. Μην χρησιμοποιείτε ελαττωματικές ή στρεβλωμένες πριονολάμες.

- Απορρίπτετε τη λάμα σε περίπτωση φθοράς, παραμόρφωσης, στρέβλωσης ή ραγίσματος - ή επισκευή της απαγορεύεται.
- Μην χρησιμοποιείτε λεπίδες HSS.
- Βεβαιωθείτε ότι η λεπίδα του πριονιού είναι στερεωμένη σωστά, σφίξτε καλά το παξιμάδι άξονα πριν από τη χρήση (ροπή σύσφιξης περ. 12-15 Nm).
- Η βίδα στερέωσης και τα παξιμάδια θα πρέπει να στερεώνονται με το κατάλληλο κλειδί.
- Απαγορεύεται η προέκταση του κλειδιού ή η εφαρμογή σφυροκοπημάτων.
- Βεβαιωθείτε ότι όλες οι λεπίδες και οι φλάντζες είναι καθαρές και ότι οι πλευρές του περιαυχένιου με εσοχές είναι κόντρα στην λεπίδα.
- Βεβαιωθείτε ότι η λεπίδα περιστρέφεται προς τη σωστή κατεύθυνση.
- Πριν ξεκινήσετε, κάντε μια πρόχειρη κοπή χωρίς να είναι ενεργοποιημένος ο κινητήρας, ώστε να ελέγξετε τη θέση της λεπίδας, τη λειτουργία των προστατευτικών σε σχέση με τα άλλα εξαρτήματα του μηχανήματος και το τεμάχιο εργασίας.
- Ποτέ μην αφήνετε το εργαλείο χωρίς επίβλεψη.
- Μην τοποθετείτε λιπαντικά στην λεπίδα όσο λειτουργεί.
- Μην εκτελείτε ποτέ εργασίες καθαρισμού ή συντήρησης όταν το μηχάνημα λειτουργεί ακόμα και η κεφαλή δεν βρίσκεται στην θέση αναμονής.
- Μην προσπαθείτε να σταματήσετε ένα μηχάνημα που κινείται γρήγορα χτυπώντας εργαλεία ή άλλα μέσα πάνω στη λεπίδα - υπάρχει κίνδυνος πρόκλησης σοβαρών ατυχημάτων.
- Αποσυνδέετε το προϊόν από την πρίζα ή αφαιρείτε την μπαταρία, πριν από την αντικατάσταση λεπίδων ή τη συντήρηση.
- Προσέχετε κατά το άνοιγμα και κλείσιμο συσκευασίας της λεπίδας καθώς είναι πιθανό να τραυματιστείτε από τις αιχμηρές άκρες.
- Χρησιμοποιήστε ειδική λαβή λεπίδας ή φοράτε γάντια όταν τη χειρίζεστε.
- Διατηρείτε τη λεπίδα στην αρχική συσκευασία της ή άλλη κατάλληλη συσκευασία και σε στεγνό χώρο, μακριά από χημικά που μπορεί να τη φθείρουν.

### ΕΠΙΠΡΟΣΘΕΤΕΣ ΠΡΟΕΙΔΟΠΟΙΗΣΕΙΣ ΑΣΦΑΛΕΙΑΣ

- Να πιάνετε πάντα καλά και με ασφάλεια το τεμάχιο εργασίας.
- Πάντα να βεβαιώνετε ότι το μηχάνημα είναι σταθερό και στερεωμένο (π.χ. σε πάγκο).
- Φοράτε ωτοασπίδες. Η επίδραση θορύβου μπορεί να προκαλέσει απώλεια ακοής.
- Φοράτε πάντοτε προστατευτικά γυαλιά κατά τη χρήση του εργαλείου. Συνιστάται να φοράτε γάντια για το χειρισμό λεπίδων και ακατέργαστων υλικών, καθώς και γερά αντιολισθητικά παπούτσια για να προστατεύσετε τα πόδια σας από κομμάτια εργασίας που μπορεί να πέσουν από την περιοχή κοπής.
- Αποσυνδέετε το εργαλείο από την πρίζα ή αφαιρείτε





την μπαταρία, πριν από τη συντήρηση ή τον καθαρισμό του.

- Τοποθετείτε μπαταρίες μόνο όταν το εργαλείο είναι εκτός λειτουργίας.
- Ποτέ μην πιάνετε στην περιοχή κοντά στη λεπίδα, εκτός εάν η λεπίδα έχει σταματήσει τελείως.
- Πριν από τη χρήση, ελέγχετε το εργαλείο και τις μπαταρίες για τυχόν ζημιές ή φθορές υλικού. Επισκευές στο εργαλείο θα πρέπει να εκτελούνται μόνο από εξουσιοδοτημένο πάροχο σέρβις.
- Χρησιμοποιείτε πάντα τους προφυλακτήρες του εργαλείου. Μην χρησιμοποιείτε το εργαλείο εάν οι προφυλακτήρες δεν είναι στη θέση τους και δεν λειτουργούν καλά.
- Ο προφυλακτήρας της κάτω λεπίδας θα πρέπει να ανοίγει μόνο όταν η λεπίδα έχει φτάσει στο τεμάχιο εργασίας, να μπορεί να κινείται ελεύθερα και να κλείνει αυτόματα.
- Πάντοτε στερεώνετε και χρησιμοποιείτε τις ράβδους προέκτασης για την υποστήριξη του τεμαχίου εργασίας κατά την κοπή.
- Χρησιμοποιείτε πάντοτε το εργαλείο στις εργασίες για τις οποίες προορίζεται. Η ασφάλειά σας μπορεί να τεθεί σε κίνδυνο.
- Μην χρησιμοποιείτε λεπίδες πριονιών με ρωγμές, κατεστραμμένες ή παραμορφωμένες.
- Δεν χρησιμοποιείτε πριονοδίσκους κατασκευασμένου από ταχυχάλυβα.
- Χρησιμοποιείτε μόνο λεπίδες που είναι αιχμηρές. Αντικατάσταση στομωμένων λεπίδων.
- Οι ακατάλληλοι για τον άξονα στον οποίον θα τοποθετηθούν δίσκοι δεν θα περιστραφούν σωστά και μπορούν να σας κάνουν να χάσετε τον έλεγχο του εργαλείου. Μη χρησιμοποιείτε ποτέ ελαττωματικές ή ακατάλληλες βίδες ή φλάντζες δίσκου.
- Χρησιμοποιείτε μόνο λεπίδες ξυλουργικής οι οποίες αναφέρονται στο παρόν εγχειρίδιο και συμμορφώνονται με το πρότυπο EN 847-1.
- Μην χρησιμοποιείτε φλάντζες, ροδέλες και παξιμάδια για να ασφαλίσετε τη λεπίδα του πριονιού, εκτός εκείνων που παρέχονται ή υποδεικνύονται στο εγχειρίδιο οδηγιών.
- Επιλέγете ένα κατάλληλο πριονοδίσκο για το υλικό που έχετε να κόψετε. Ποτέ μην χρησιμοποιείτε το εργαλείο για την κοπή υλικών άλλων από αυτά που καθορίζονται στην ενότητα προτεινόμενης χρήσης στο παρόν εγχειρίδιο.
- Είναι σημαντικό κατά τη διαδικασία κοπής να αποφεύγεται η υπερθέρμανση της λεπίδας και το λιώσιμο των πλαστικών.
- Θα πρέπει να τηρείται η μέγιστη ταχύτητα που αναφέρεται στη λεπίδα του πριονιού. Χρησιμοποιείτε λεπίδες με ένδειξη ταχύτητας ίσης ή μεγαλύτερης από αυτή που αναγράφεται στο εργαλείο.
- Αντικαταστήστε το ένθετο πάγκου, όταν φθαρεί ή καταστραφεί.
- Πριν ξεκινήσετε, κάντε μια πρόχειρη κοπή χωρίς να είναι ενεργοποιημένος ο κινητήρας, ώστε να ελέγξετε τη θέση της λεπίδας, τη λειτουργία των προστατευτικών

σε σχέση με τα άλλα εξαρτήματα του μηχανήματος και το τεμάχιο εργασίας.

- Κατά την εκτέλεση λοξοτομής, κοπής υπό γωνία ή μικτής λοξοτομής, ρυθμίστε τον κυλιόμενο οδηγό ή υπο-οδηγό για να βεβαιωθείτε ότι έχει τη σωστή απόσταση από τη λεπίδα.
- Η λαβή ασφάλισης πρέπει να είναι πάντα κλειστή κατά τη μεταφορά του εργαλείου.
- Διατηρείτε το δάπεδο καθαρό από υλικά, π.χ. ρινίσματα και πριονίδια.
- Χρησιμοποιείτε μόνο τις εμπιερχόμενες και τις απεικονιζόμενες στις οδηγίες χειρισμού φλάντζες για τη στερέωση του πριονοδίσκου.
- Να σιγουρεύεστε πως η μηχανή είναι σταθερή (π.χ. στερέωση στον πάγκο εργασίας). Η περιοχή εργασίας του πριονιού περιλαμβάνει ολόκληρη την έκταση του τεμαχίου εργασίας. Ο χειριστής θα πρέπει να ασφαλίσει την περιοχή αυτή από την τυχαία επαφή από άλλα πρόσωπα ή αντικείμενα τα οποία μπορεί να μετακινήσουν το κομμάτι εργασίας κατά τη διάρκεια της λειτουργίας.
- Η σκόνη που παράγεται κατά τη χρήση του μηχανήματος μπορεί να είναι επιβλαβής για την υγεία. Χρησιμοποιείτε σύστημα εξώθησης σκόνης και φοράτε κατάλληλη μάσκα προστασίας. Αφαιρείτε τα πριονίδια που έχουν μείνει προσεκτικά, π.χ. με ηλεκτρική σκούπα.
- Μην αντικαθιστάτε το λείζερ με άλλο διαφορετικού τύπου. Όλες οι επισκευές θα πρέπει να πραγματοποιούνται από τον κατασκευαστή ή από εξουσιοδοτημένο πάροχο σέρβις.
- Το εύρος θερμοκρασίας περιβάλλοντος για το εργαλείο στη διάρκεια της λειτουργίας είναι μεταξύ 0 °C και 40 °C.
- Το εύρος θερμοκρασίας περιβάλλοντος για το την αποθήκευση του εργαλείου είναι μεταξύ 0 °C και 40 °C.
- Το συνιστώμενο εύρος θερμοκρασίας περιβάλλοντος για το σύστημα φόρτισης στη διάρκεια της φόρτισης είναι μεταξύ 10 °C και 38 °C.

#### ΜΕΤΑΦΟΡΑ ΜΠΑΤΑΡΙΩΝ ΛΙΘΙΟΥ

Μεταφέρετε τη μπαταρία σε συμφωνία με τις τοπικές εθνικές διατάξεις και τους κανονισμούς.

Τηρείτε όλες τις ειδικές απαιτήσεις στη συσκευασία και στην ετικέτα κατά τη μεταφορά των μπαταριών από τρίτους. Εξασφαλίστε ότι δεν θα έρχονται σε επαφή οι μπαταρίες με άλλες μπαταρίες ή με αγώγιμα υλικά κατά τη διάρκεια της μεταφοράς, προστατεύοντας τους εκτεθειμένους συνδέσμους με μόνωση, μη αγώγιμα πώματα ή ταινία. Μη μεταφέρετε μπαταρίες που έχουν χτυπήματα ή διαρροή. Ενημερωθείτε από τη πρακτορεία μεταφορών για περαιτέρω ειδοποιήσεις.





## ΕΠΙΠΡΟΣΘΕΤΕΣ ΠΡΟΕΙΔΟΠΟΙΗΣΕΙΣ ΑΣΦΑΛΕΙΑΣ ΜΠΑΤΑΡΙΑΣ

### ⚠ ΠΡΟΕΙΔΟΠΟΙΗΣΗ

Για να αποτρέπεται τον κίνδυνο πυρκαγιάς λόγω βραχυκυκλώματος, τραυματισμούς ή ζημιές του προϊόντος, να μη βυθίζετε το εργαλείο, τον ανταλλακτικό συσσωρευτή ή τη συσκευή φόρτισης σε υγρά και να φροντίζετε, ώστε να μη διεισδύουν υγρά στις συσκευές και τους συσσωρευτές Διαβρωτικές ή αγώγιμες υγρές ουσίες, όπως αλατόνερο, ορισμένες χημικές ουσίες και λευκαντικά ή προϊόντα που περιέχουν λευκαντικά, μπορεί να προκαλέσουν βραχυκύκλωμα.

- Το εύρος θερμοκρασίας περιβάλλοντος για την μπαταρία στη διάρκεια της χρήσης είναι μεταξύ 0 °C και 40 °C.
- Το εύρος θερμοκρασίας περιβάλλοντος για την αποθήκευση της μπαταρίας είναι μεταξύ 0 °C και 20 °C.

## ΑΣΦΑΛΕΙΑ ΚΑΙ ΣΥΣΚΕΥΕΣ ΜΕ ΛΕΙΖΕΡ

- Η ακτινοβολία του οδηγού λέιζερ που χρησιμοποιείται στον κόπτη είναι Κατηγορίας 2 με μέγιστα μήκη κύματος ≤1mW και 650nm. Μην κοιτάζετε απευθείας στην ακτίνα λέιζερ. Η μη τήρηση των κανόνων μπορεί να προκαλέσει σοβαρό τραυματισμό.
- Μην κοιτάζετε στην ακτίνα κατά τη λειτουργία.
- Μην προβάλλετε την ακτίνα λέιζερ απευθείας στα μάτια των άλλων. Υπάρχει κίνδυνος σοβαρού οφθαλμολογικού τραυματισμού.
- Μην τοποθετείτε το λέιζερ σε θέση που μπορεί να προκαλέσει την άμεση οπτική επαφή με αυτό, σκόπιο ή όχι.
- Μην χρησιμοποιείτε οπτικά εργαλεία για να δείτε την ακτίνα λέιζερ.
- Μην χρησιμοποιείτε το λέιζερ κοντά σε παιδιά και μην αφήνετε παιδιά να το χρησιμοποιούν.
- Μην προσπαθήσετε να επισκεύαστε τη συσκευή λέιζερ μόνοι σας.
- Μην προσπαθήσετε να αντικαταστήσετε οποιοδήποτε εξάρτημα της συσκευής λέιζερ μόνοι σας.
- Οι επισκευές θα πρέπει να εκτελούνται μόνο από τον κατασκευαστή του λέιζερ ή εξουσιοδοτημένο αντιπρόσωπο.
- Μην αντικαθιστάτε το λέιζερ με άλλο διαφορετικού τύπου.

## ΆΛΛΟΙ ΚΙΝΔΥΝΟΙ

- Ακόμη και όταν το προϊόν χρησιμοποιείται σύμφωνα με τις οδηγίες, δεν είναι δυνατή η απόλυτη απαλειφή συγκεκριμένων παραγόντων κινδύνου. Κατά τη χρήση μπορεί να προκύψουν οι ακόλουθοι κίνδυνοι και ο χειριστής πρέπει να δίδει ιδιαίτερη προσοχή προς αποφυγή των εξής:
- Κίνδυνος επαφής με ακάλυπτα εξαρτήματα της περιστρεφόμενης λεπίδας.
  - Επιστροφή από τα τεμάχια εργασίας και κομμάτια τους, λόγω εσφαλμένου χειρισμού.

- Εκτίναξη ελαττωματικών άκρων καρβιδίου από τη λεπίδα κόπτη.
- Βλάβες στο αναπνευστικό σύστημα.  
**ΣΗΜΕΙΩΣΗ** Φορέστε μάσκα προστασίας της αναπνοής που περιέχουν κατάλληλα φίλτρα για τα υλικά που επεξεργάζεστε. Βεβαιωθείτε ότι υπάρχει επαρκής εξαερισμός του χώρου εργασίας. Μην τρώτε, πίνετε ή καπνίζετε στον χώρο εργασίας.
- Βλάβες στην ακοή αν δεν χρησιμοποιούνται αποτελεσματικά προστατευτικά ακοής.

### ⚠ ΠΡΟΕΙΔΟΠΟΙΗΣΗ

Η σκόνη από ορισμένα χρώματα, επιχρίσματα και υλικά μπορεί να προκαλέσει ερεθισμό ή αλλεργικές αντιδράσεις στο αναπνευστικό σύστημα. Η σκόνη από ξύλο, όπως η δρυς, οξιά, MDF και άλλα είναι καρκινογόνος. Υλικά που περιέχουν αμίαντο πρέπει να υποβάλλονται σε επεξεργασία μόνο από εξειδικευμένο έμπειρο προσωπικό.

### ⚠ ΠΡΟΕΙΔΟΠΟΙΗΣΗ

Υπάρχει κίνδυνος πρόκλησης ή επιδείνωσης τραυματισμού, από την παρατεταμένη χρήση εργαλείου. Όταν χρησιμοποιείτε το εργαλείο για μεγάλες περιόδους, κάνετε τακτικά διαλείμματα.

## ΓΝΩΡΙΣΤΕ ΤΟ ΠΡΟΪΟΝ ΣΑΣ

Βλέπε σελίδα 215.

1. Λαβή, μονωμένη επιφάνεια λαβής
2. Διακόπτης λειτουργίας
3. Λαβή κλειδαριάς ασφαλείας
4. Άνω προστατευτικό λάμας
5. Λεπίδα κόπτη
6. Κάτω προστατευτικό λάμας
7. Κύριος φράχτης
8. Περιστρεφόμενο τραπέζι
9. Πέλαμα
10. Ενθετο πάγκου
11. Πόμολο ασφάλισης περιστρεφόμενου τραπέζιου
12. Πόδι εξισορρόπησης
13. Μπάρα ασφαλείας από ανατροπή
14. Διακόπτης λέιζερ
15. Εμπρός λαβή, μονωμένη επιφάνεια συγκράτησης
16. Φλάντζα
17. Στήριγμα βάσης
18. Μοχλός κλειδώματος γωνίας κλίσης
19. Σφιγκτήρας
20. Συρόμενος φράχτης
21. Τρύπα τοποθέτησης
22. Ράβδος επέκτασης
23. Βίδες κλειδώματος κύριου οδηγού
24. Πλήκτρο ασφάλισης του άξονα
25. Μπαταρία
26. Σακούλα σκόνης
27. Κουμπί ρύθμισης βάθους κοπής
28. Μέγιστο στοπ βάθους κοπής.
29. Κουμπί στοπ γραμμικής ράβδου
30. Βίδες για την προσαρμογή του ορίου στοπ γωνίας





κοπής  
31. Εξαγωνικό κλειδί

**ΛΕΙΤΟΥΡΓΙΑ**

Το προϊόν διαθέτει μια κινούμενη λεπίδα πριονιού που μπορεί να ρυθμιστεί σε διάφορες γωνίες από τον χειριστή κατά την κοπή ενός κομματιού εργασίας που είναι ασφαλώς στερεωμένο στη βάση του προϊόντος. Ο χειρισμός πρέπει να γίνεται από ένα μόνο άτομο για να αποτραπεί η ακούσια επαφή με την κινούμενη λεπίδα του πριονιού.

Οι αρχές για την ασφαλή λειτουργία του προϊόντος είναι ως ακολούθως:

- Διατηρήστε το πριόνι, τις λεπίδες και τον χώρο εργασίας σε καλή κατάσταση.
- Ασφαλίστε τη βάση του κόπτη φαλτογωνίας σε έναν σταθερό πάγκο εργασίας. Το προϊόν μπορεί να μετακινήθει και να ανατραπεί αν δεν είναι επαρκώς ασφαλισμένο.
- Ρυθμίστε και ασφαλίστε τις γωνίες κοπής και το βάθος πριν κάνετε την κοπή.
- Ασφαλίστε το τεμάχιο εργασίας στη βάση του φαλτοσπρίονου. Χρησιμοποιήστε το σφιγκτήρα που παρέχεται και όπου είναι απαραίτητο, χρησιμοποιήστε πρόσθετους σφιγκτήρες ή μηχανισμούς στερέωσης για να αποτρέψετε την ακούσια μετακίνηση του τεμαχίου εργασίας κατά την κοπή.
  - Βεβαιωθείτε ότι η λειτουργία των προφυλακτήρων λάμας δεν περιορίζεται από τη θέση του τεμαχίου εργασίας.
  - Βεβαιωθείτε ότι ο φράκτης και άλλα μέρη του προϊόντος δεν θα κοπούν καθώς η λεπίδα κατεβαίνει στη θέση κοπής.
- Ξεκινήστε τον κινητήρα και αφήστε τη λεπίδα να φτάσει στη μέγιστη ταχύτητα πριν την κατεβάσετε αργά για να κόψετε το τεμάχιο εργασίας. Σύρετε τη διάταξη της λεπίδας προς τα πίσω ώστε να ολοκληρώσετε την κοπή όπως απαιτείται.
- Αφήστε το συγκρότημα λεπίδας να ανέβει στην επάνω θέση του, όπου οι προφυλακτικές λάμας είναι τέρμα κλειστοί. Σβήστε τον κινητήρα και αφήστε τη λεπίδα να σταματήσει τελείως πριν αφαιρέσετε το κομμάτι εργασίας ή τα κομμένα κομμάτια, ή πριν πιάσετε κάτι στην περιοχή της λεπίδας.

Πριν την πρώτη χρήση, βεβαιωθείτε ότι η γωνία της λοξής τομής στο προϊόν ταιριάζει με την γωνία που πρέπει να κάνετε στο κομμάτι εργασίας. Ελέγξτε το αυτό σε ένα άχρηστο κομμάτι ξύλου με σετ ζυλουργού ή φαλτογωνία.

**⚠ ΠΡΟΕΙΔΟΠΟΙΗΣΗ**  
Ο κατασκευαστής συστήνει το προϊόν να είναι πάντα καλά ασφαλισμένο σε πάγκο εργασίας.

Όταν η βάση του προϊόντος είναι καλά στερεωμένη στον πάγκο εργασίας με τα τέσσερα παξιμάδια, τις βίδες και τις ροδέλες, όπως υποδεικνύεται στις οδηγίες, το προϊόν μπορεί να χρησιμοποιηθεί στη μέγιστη ρύθμιση λοξοτομής και φάλτσου χωρίς κίνδυνο ανατροπής. Εάν το προϊόν δεν έχει στερεωθεί καλά, το προϊόν μπορεί να χάσει την ισορροπία όταν επιλέγονται μεγάλες γωνίες φάλτσου.

Στο μπροστινό μέρος της βάσης του φαλτοσπρίονου υπάρχει μια εκτεινόμενη ράβδος η οποία θα πρέπει να τραβηχτεί τέρμα έξω. Αυτό θα βοηθήσει στην αποτροπή απώλειας ισορροπίας του φαλτοσπρίονου.

Υπάρχει επίσης μια ρυθμιζόμενη βίδα (πόδι εξισορρόπησης) που εκτείνεται από το κάτω μέρος του περιστρεφόμενου τραπέζιού επέκτασης. Αυτή η βίδα πρέπει να ρυθμιστεί έτσι ώστε να αγγίζει την επίπεδη επιφάνεια στην οποία ακουμπά το προϊόν. Αυτό θα αποτρέψει επίσης την απώλεια ισορροπίας του προϊόντος κατά την κοπή στην πλήρη ολίσθηση και φάλτσο. Προσοχή, αυτό το μέρος του πάγκου πριονίσματος κινείται όταν επιλέγονται διαφορετικές γωνίες λοξής κοπής, έτσι η βίδα πρέπει να προσαρμόζεται συχνά και να επαναφέρεται.

**ΣΥΝΤΗΡΗΣΗ**

- Μην τροποποιήσετε το προϊόν με οποιοδήποτε τρόπο ή χρησιμοποιήσετε αξεσουάρ που δεν είναι εγκεκριμένα από τον κατασκευαστή. Η ασφάλεια σας και η ασφάλεια των άλλων μπορεί να υποβαθμιστεί.
- Μην χρησιμοποιείτε το προϊόν εάν υπάρχουν διακόπτες, προφυλακτικές ή άλλες λειτουργίες που δεν λειτουργούν όπως θα έπρεπε. Επιστρέψτε το σε ένα εξουσιοδοτημένο κέντρο επισκευών για επαγγελματική επισκευή ή ρύθμιση.
- Μην κάνετε οποιεσδήποτε προσαρμογές, ενώ η λεπίδα πριονιού κινείται.
- Πάντοτε να βεβαιώνετε ότι οι μπαταρίες έχουν αφαιρεθεί από το εργαλείο πριν εκτελεστούν ρυθμίσεις, λίπανση ή συντήρηση του εργαλείου.
- Πριν και μετά από κάθε χρήση, ελέγξτε το προϊόν για ζημιές ή χαλασμένα μέρη. Διατηρήστε το προϊόν σε άριστη κατάσταση λειτουργίας με την άμεση αντικατάσταση εξαρτημάτων με ανταλλακτικά εγκεκριμένα από τον κατασκευαστή.
- Η λεπίδα έχει αιχμηρές άκρες και μπορεί να είναι καυτή για κάποια ώρα μετά την εκτέλεση κοπτικών εργασιών. Επιδείξτε ιδιαίτερη προσοχή κατά τον καθαρισμό γυμνών λεπίδων. Χρησιμοποιείτε γάντια προς αποφυγή τραυματισμών.
- Καθαρίζετε το πριόνι και τα εξαρτήματά του τακτικά από τη σκόνη, ειδικότερα τα κινούμενα μέρη και τον προφυλακτήρα λεπίδας. Χρησιμοποιείτε βούρτσα χειρός ή ηλεκτρική σκούπα για την αποτελεσματική απομάκρυνση της σκόνης. Μην χρησιμοποιείτε συμπιεσμένο αέρα.
- Για να εξασφαλιστεί η ασφάλεια και η αξιοπιστία, όλες οι επισκευές, συμπεριλαμβανομένης της αλλαγής βουρτσών, θα πρέπει να γίνονται από εξουσιοδοτημένο κέντρο επισκευών.

**⚠ ΠΡΟΕΙΔΟΠΟΙΗΣΗ**  
Μην επιχειρείτε να αποσυναρμολογήσετε τον προφυλακτήρα σκόνης κατά τον καθαρισμό ή την επισκευή. Προφυλακτικές με φορτές δεν πρέπει να χρησιμοποιούνται. Παραδώστε τους για επισκευή ή αντικατάσταση σε εξουσιοδοτημένο πάροχο σέρβις.



### ΠΡΟΕΙΔΟΠΟΙΗΣΗ

Για μεγαλύτερη ασφάλεια και αξιοπιστία, όλες οι επισκευές πρέπει να διεξάγονται από ένα εξουσιοδοτημένο κέντρο σέρβις.

### Ρύθμισης γωνίας φαλτσοτομής και κλίσης.

Εάν απαιτείται βαθμονόμηση γωνίας φαλτσοτομής και κλίσης, συμβουλευτείτε τις σελίδες 236-242 και ακολουθήστε τις σχετικές οδηγίες.

### Μέγιστο στοπ βάθους κοπής.

Το στοπ μέγιστου βάθους κοπής προορίζεται για την αποτροπή της λεπίδας να κόψει στην μεταλλική βάση της μονάδας.

### ΠΡΟΕΙΔΟΠΟΙΗΣΗ

Το στοπ μέγιστου βάθους κοπής δεν ρυθμίζεται από τον χρήστη. Μην προσαρμόζετε το μέγιστο στοπ βάθους κοπής.

### ΜΕΤΑΦΟΡΑ ΚΑΙ ΑΠΟΘΗΚΕΥΣΗ

- Αφαιρέστε τη μπαταρία κατά την αποθήκευση του εργαλείου. Αποθηκεύστε το προϊόν σε ένα ασφαλές μέρος που δεν είναι προσιτό στα παιδιά.
- Καθαρίστε το προϊόν με μια βούρτσα και ηλεκτρική σκούπα πριν από την αποθήκευση.
- Αν αφαιρέσετε τη λεπίδα του πριονιού ή να διατηρείτε ανταλλακτικά με τη μονάδα, βεβαιωθείτε ότι είναι στην αρχική συσκευασία τους για να αποφύγετε τραυματισμούς.

### Για να ασφαλίσετε το προϊόν πριν από τη μετακίνηση:

- Το προϊόν πρέπει να φυλάσσεται με ρύθμιση μηδέν μοιρών και γωνία κλίσης και κλειδωμένο στη θέση του. Η ολίσθηση θα πρέπει να κλειδώνεται. Η χειρολαβή θα πρέπει να κλειδωθεί στην κάτω (ασφαλή) θέση με τα προστατευτικά κλειστά.
- Μία ή και οι δύο προεκτάσεις μπορούν να αφαιρεθούν για τη διευκόλυνση της μεταφοράς.

### Για να το μετακινήσετε ή να το μεταφέρετε με όχημα:

- Ασφαλίστε το προϊόν πριν από τη μεταφορά, όπως περιγράφεται στο εγχειρίδιο.
- Αφαιρέστε το προϊόν από τον πάγκο εργασίας, αφαιρώντας τα 4 μπουλόνια, ένα σε κάθε γωνία. Ασφαλίστε τις βίδες για μελλοντική χρήση. Σηκώστε το προϊόν από τη λαβή στο πάνω μέρος.
- Όταν ανασκώνετε σε κάποιο ύψος, απαιτούνται δύο άτομα που φορούν βαριά γάντια για να σηκώσουν τη βάση του προϊόντος.
- Κατά τη μεταφορά με όχημα, βάλτε το προϊόν στη βάση του και ασφαλίστε το ώστε να μην μετακινηθεί.

### ΠΡΟΣΤΑΣΙΑ ΤΟΥ ΠΕΡΙΒΑΛΛΟΝΤΟΣ



Ανακυκλώνετε τις πρώτες ύλες αντί να τις πετάτε ως απορρίμματα. Για την προστασία του περιβάλλοντος, πρέπει να γίνεται η διαλογή του εργαλείου, των εξαρτημάτων και των συσκευασιών του.

### ΣΥΜΒΟΛΑ ΣΤΟ ΠΡΟΪΟΝ



Προειδοποίηση ασφαλείας



Συμμόρφωση CE



EurAsian σήμα πιστότητας



Ουκρανικό σήμα συμμόρφωσης



Παρακαλούμε διαβάστε τις οδηγίες προσεκτικά πριν ξεκινήσετε το μηχάνημα.



Φοράτε προστατευτικά αυτιών



Φοράτε πάντα προστατευτικά ματιών.



Κρατάτε τα χέρια σας μακριά από την περιοχή κοπής και την λεπίδα.



Να μην εκτίθεται σε βροχή και να μην χρησιμοποιείται σε τοποθεσίες με υγρασία.



Φοράτε γάντια ασφαλείας



Κατεύθυνση περιστροφής λεπίδας (σημειώνεται πάνω στη λεπίδα του πριονιού)



Κατεύθυνση περιστροφής λεπίδας (επισημαίνεται στο προστατευτικό κάλυμμα)



Πλάτος κοπής λεπίδας (Αρμός κοπής)



Αριθμός δοντιών στη λεπίδα



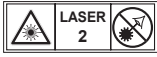
Ικανότητα κοπής



Για κοπή ξύλου και παρόμοιων υλικών



Ακατάλληλο για κοπή μετάλλων.



Ακτινοβολία λέιζερ.  
Μην κοιτάζετε απευθείας στην ακτίνα.

Προϊόν λέιζερ κλάσης 2  
Τα ηλεκτρικά προϊόντα προς απόρριψη δεν θα πρέπει να απορρίπτονται μαζί με τα οικιακά απόβλητα. Παρακαλούμε ανακυκλώστε όπου υπάρχουν οι αντίστοιχες εγκαταστάσεις. Μιλήστε με τις τοπικές αρχές ή τον πωλητή για να σας ενημερώσουν σχετικά με τα προγράμματα ανακύκλωσης.



## ΣΥΜΒΟΛΑ ΣΤΟ ΕΓΧΕΙΡΙΔΙΟ



Κλειδωμα



Ξεκλειδωμα



Ο μηχανισμός κλειδώματος δεν λειτουργεί



Ανταλλακτικά και εξαρτήματα πωλούνται χωριστά



Σημειωση



Προειδοποιηση

Οι ακόλουθες προειδοποιητικές λέξεις και έννοιες προορίζονται να εξηγήσουν τα επίπεδα κινδύνου που συνδέονται με αυτό το προϊόν:

### ΚΙΝΔΥΝΟΣ

Υποδεικνύει μια επικείμενη επικίνδυνη κατάσταση, η οποία, αν δεν αποφευχθεί, θα οδηγήσει σε θάνατο ή σοβαρό τραυματισμό.

### ΠΡΟΕΙΔΟΠΟΙΗΣΗ

Υποδεικνύει μια δυνητικά επικίνδυνη κατάσταση, η οποία, αν δεν αποφευχθεί, θα οδηγήσει σε θάνατο ή σοβαρό τραυματισμό.

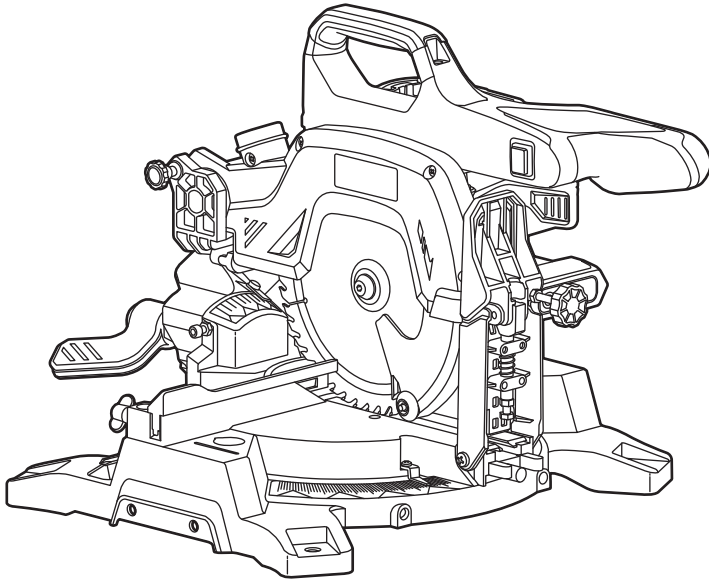
### ΠΡΟΣΟΧΗ

Υποδεικνύει μια δυνητικά επικίνδυνη κατάσταση, η οποία, αν δεν αποφευχθεί, ενδέχεται να οδηγήσει σε ελαφρύ ή

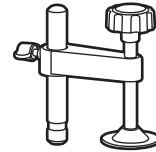
μέτριο τραυματισμό.

### ΠΡΟΣΟΧΗ

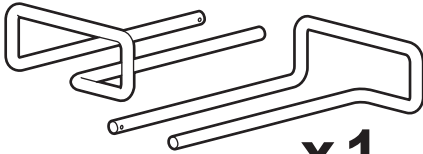
(Χωρίς προειδοποιητικό σύμβολο) Επισημαίνει μια κατάσταση που ενδέχεται να προκαλέσει υλικές ζημιές.



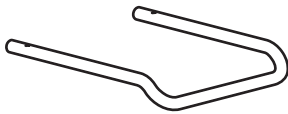
**x1**



**x1**



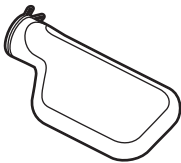
**x1**



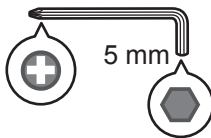
**x1**



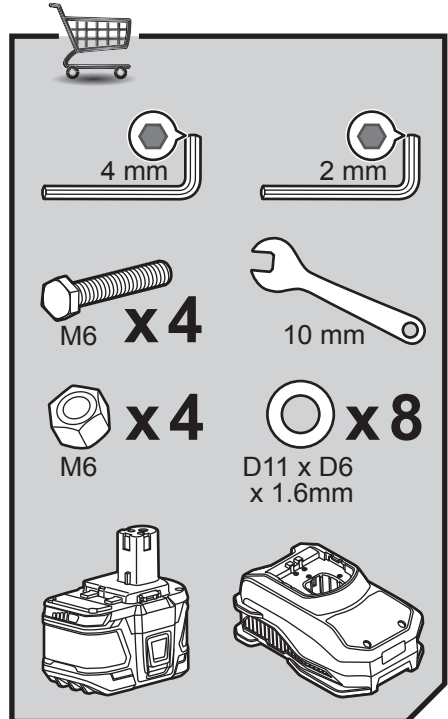
**x4**



**x1**



**x1**



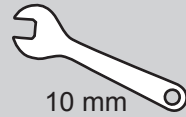
4 mm



2 mm



M6 **x4**



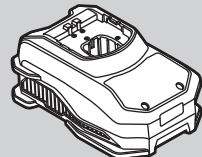
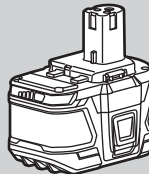
10 mm



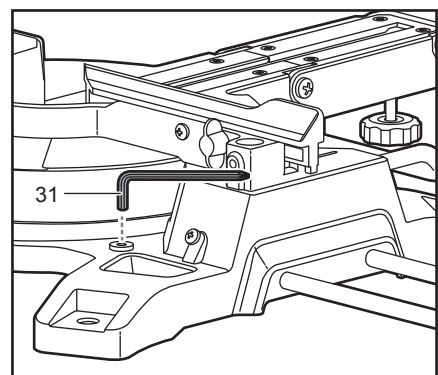
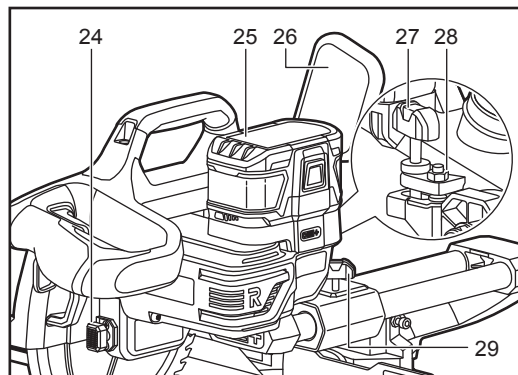
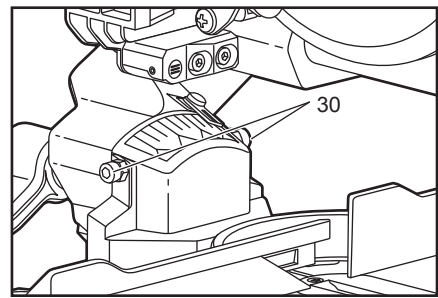
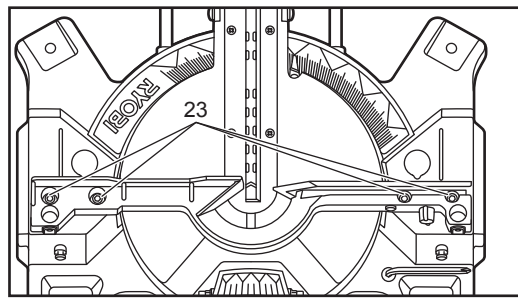
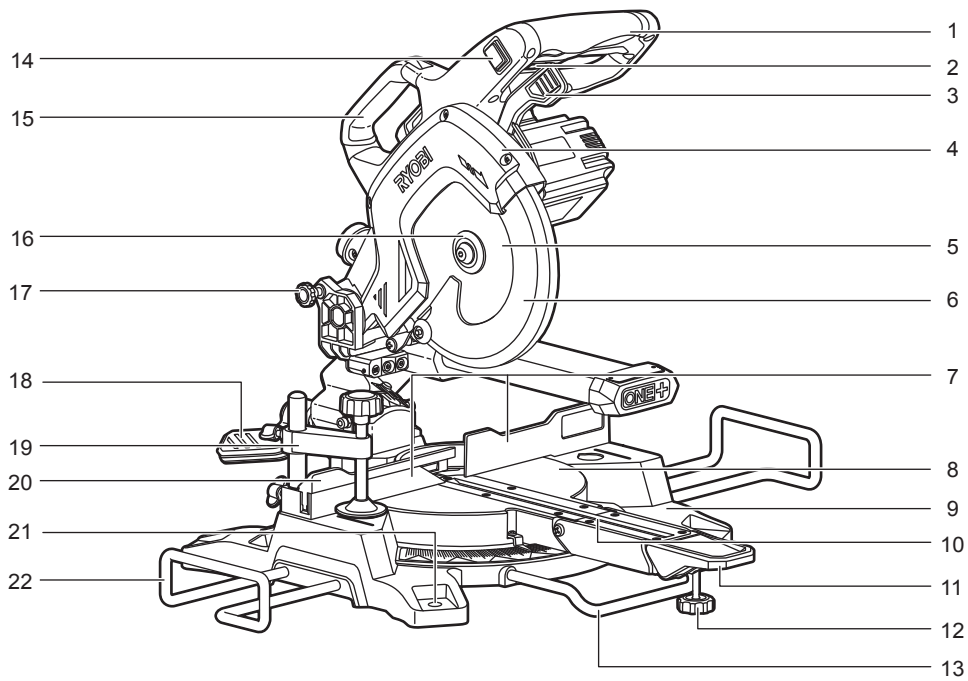
M6 **x4**

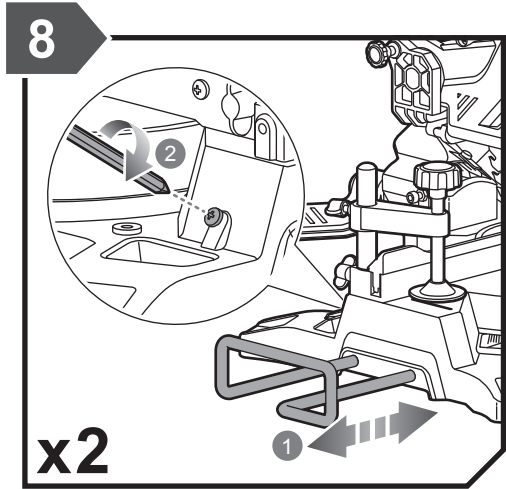
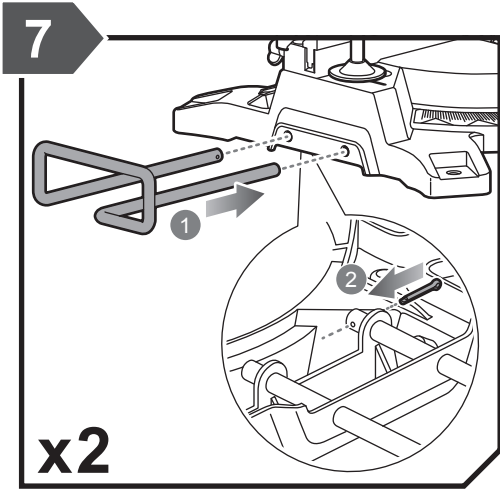
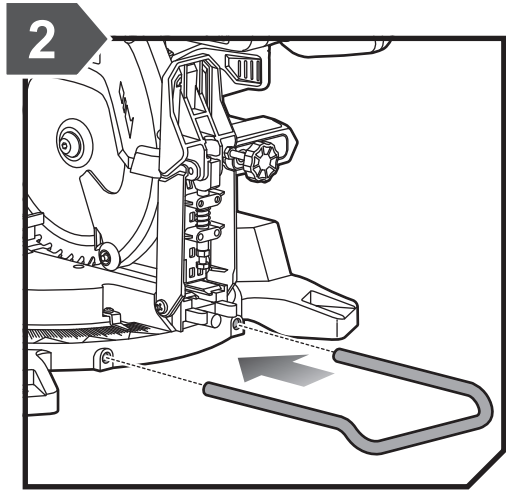
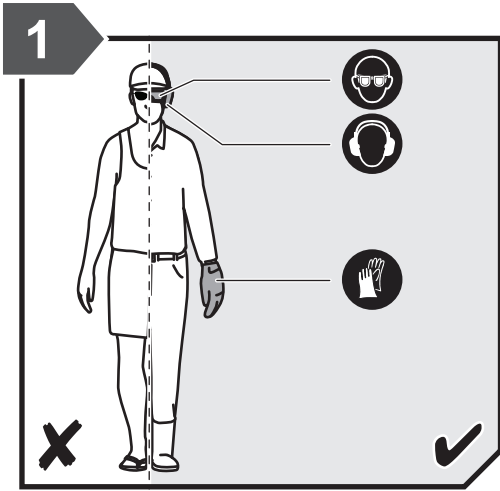


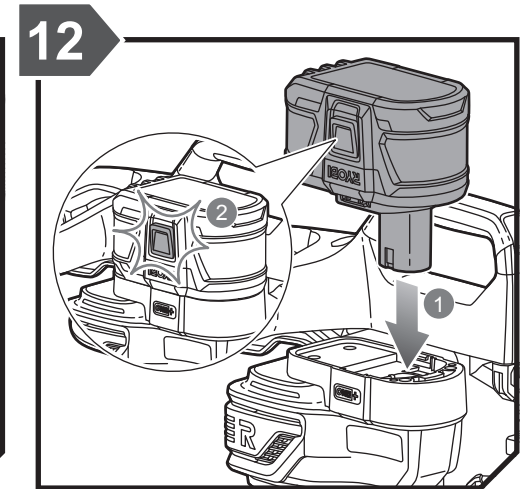
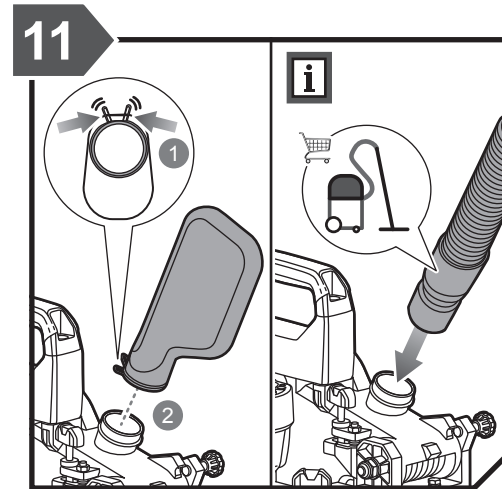
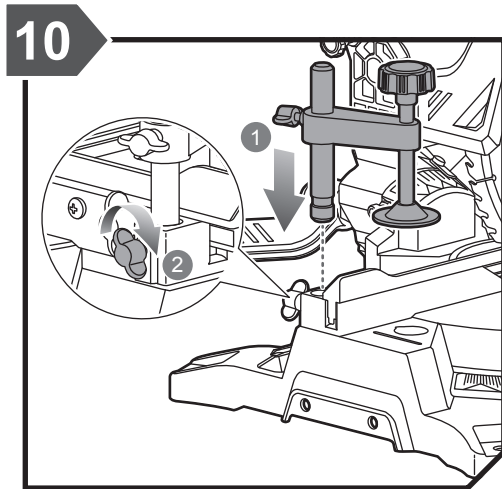
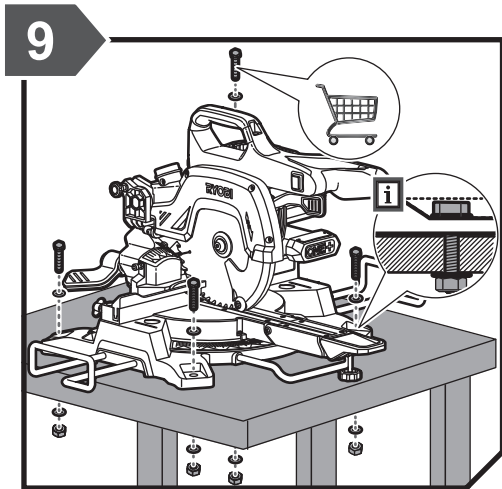
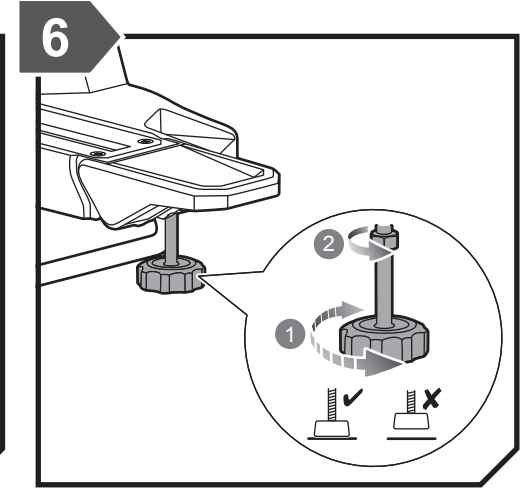
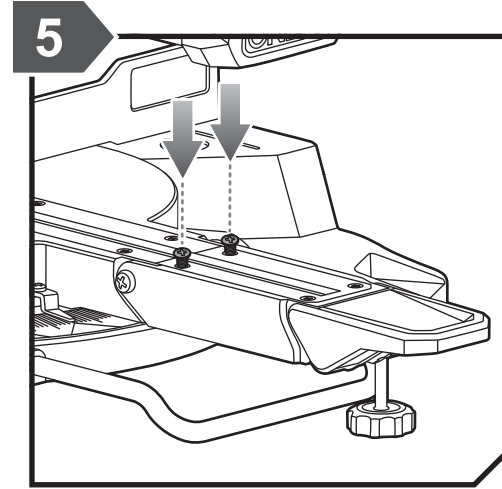
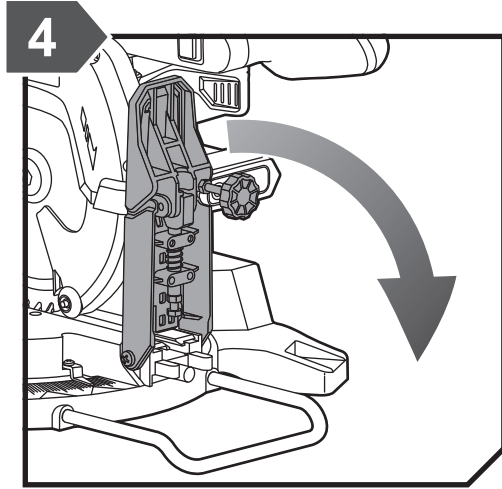
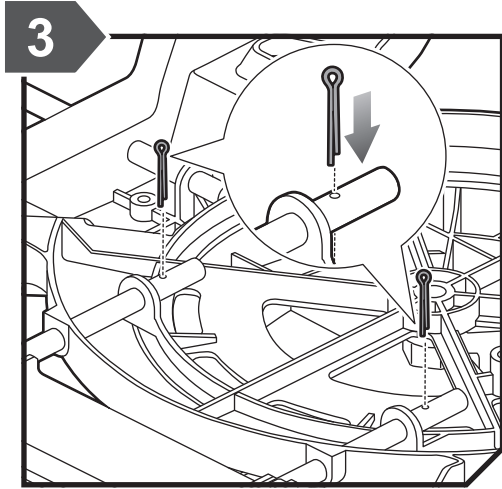
**x8**  
D11 x D6  
x 1.6mm

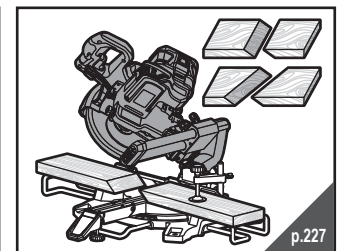
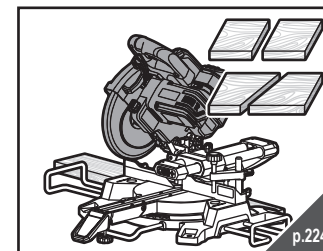
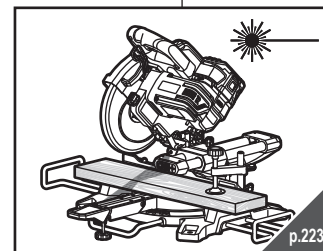
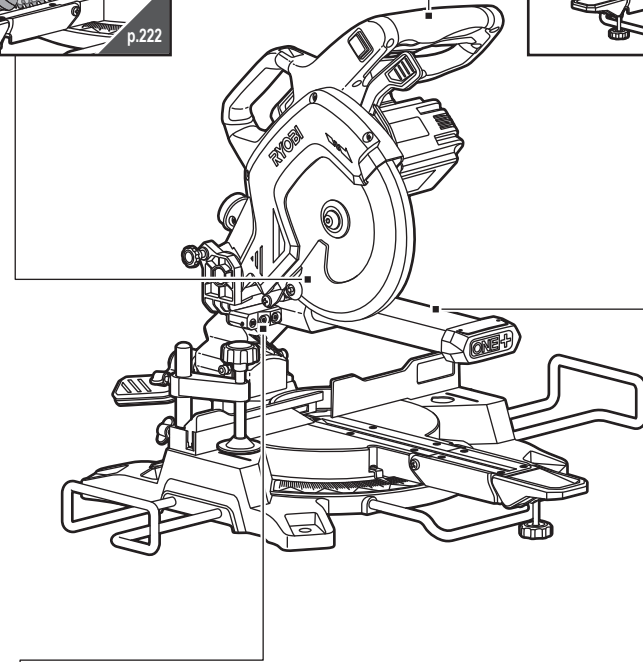
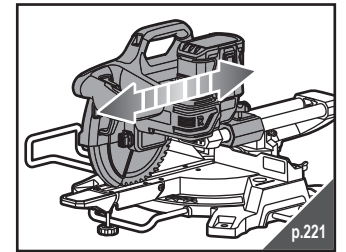
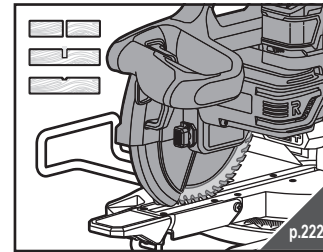
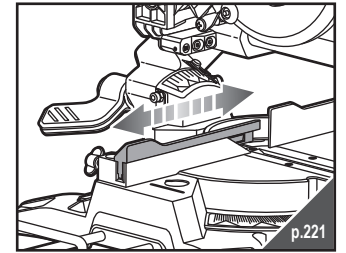
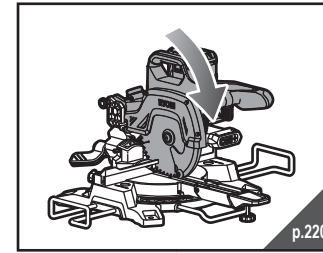
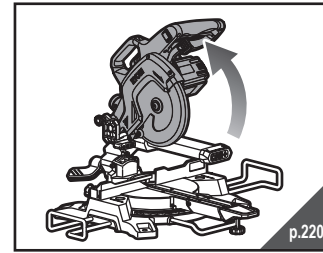


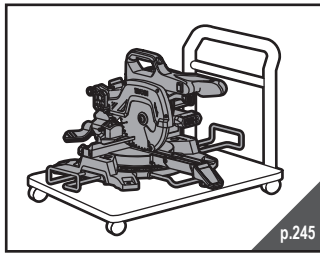
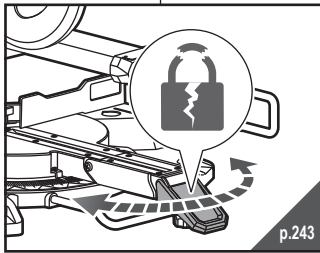
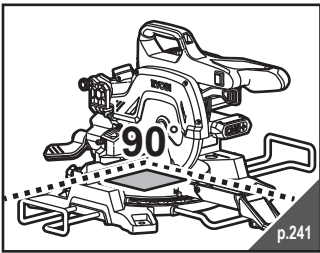
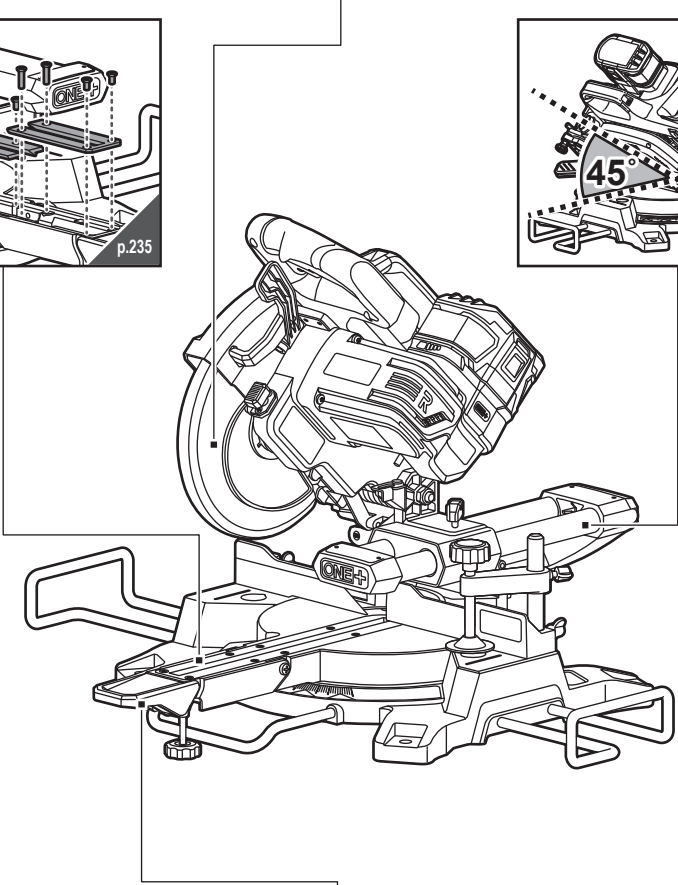
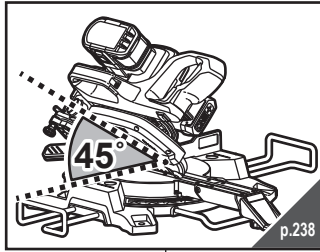
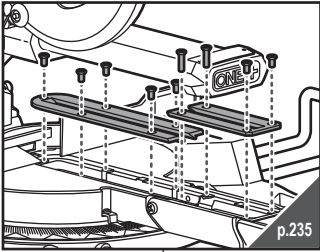
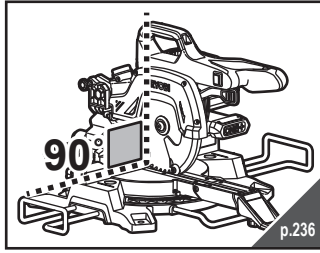
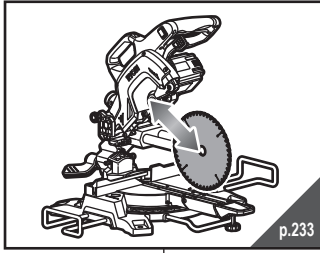
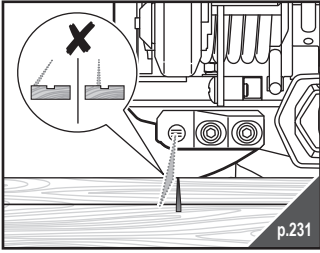


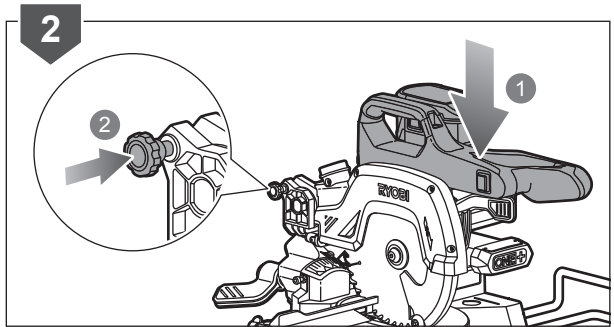
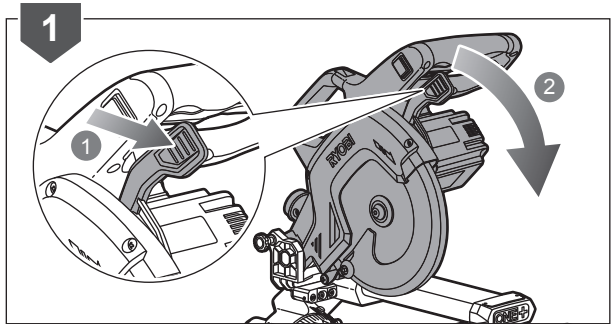
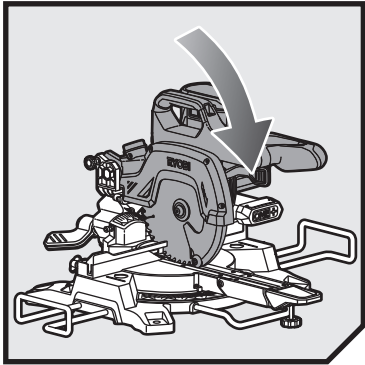
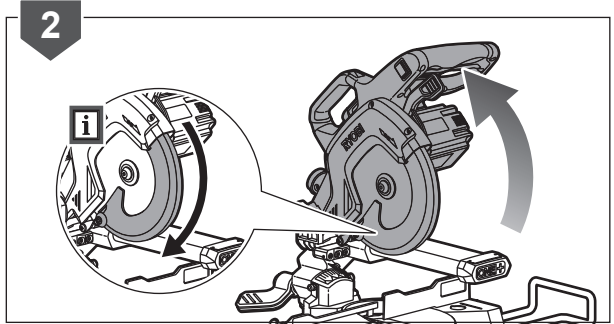
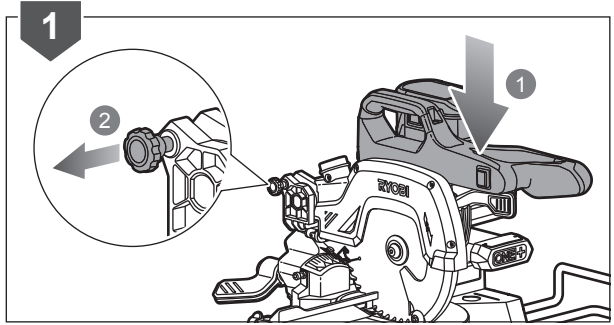
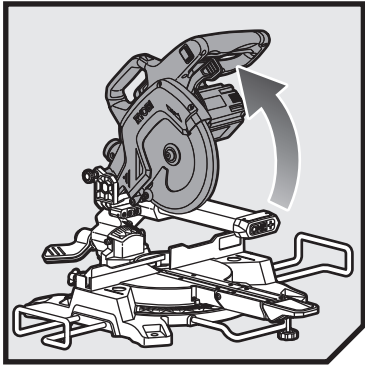


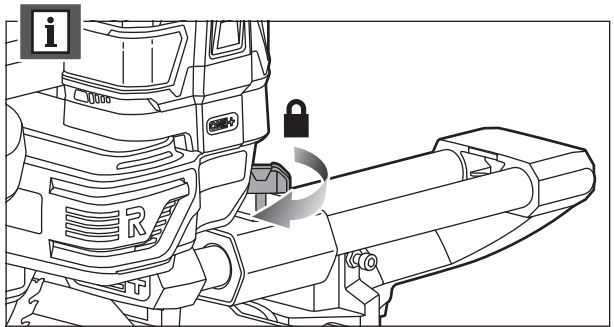
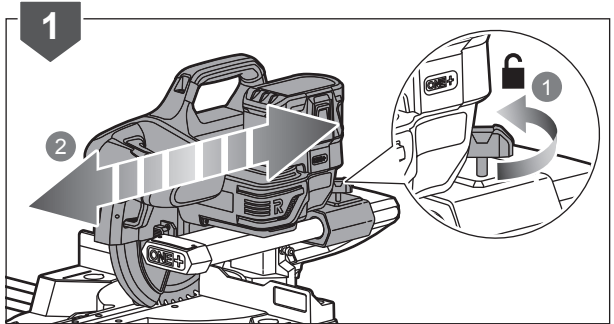
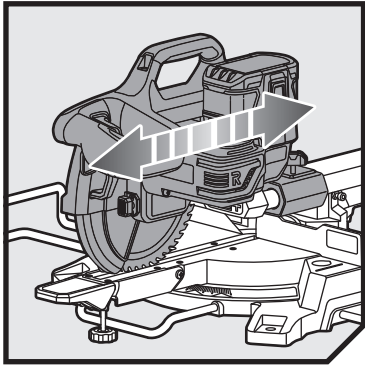
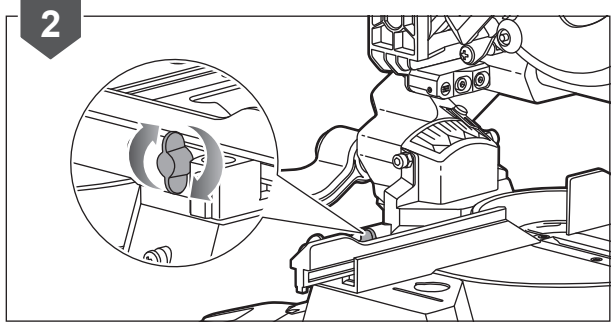
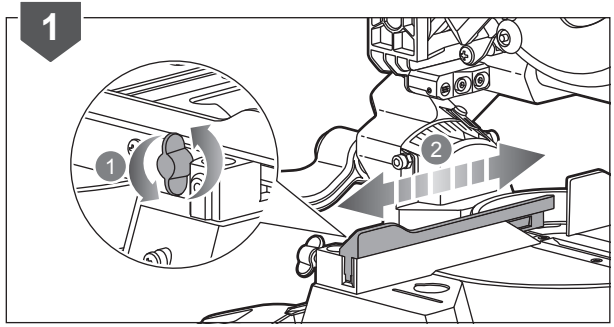
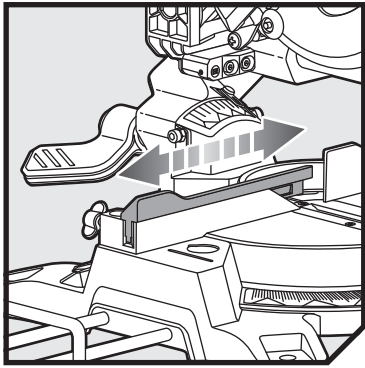


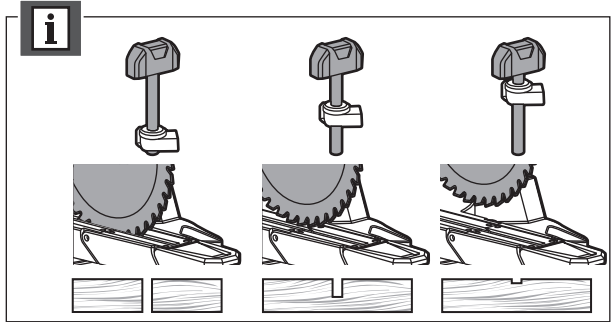
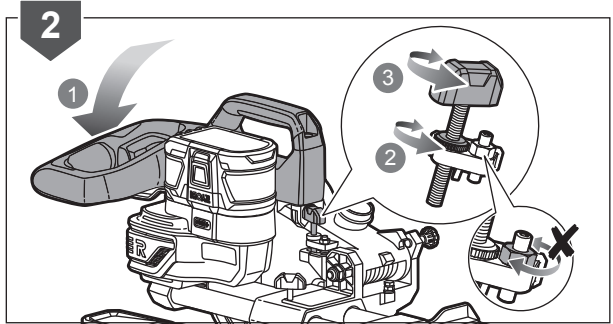
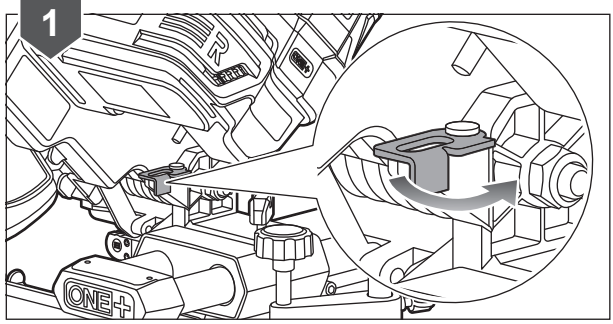
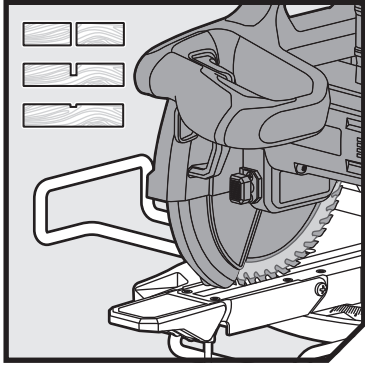




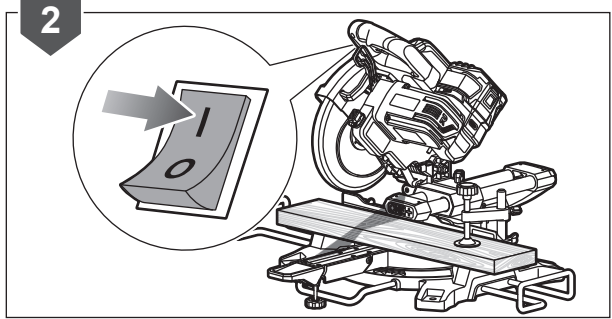
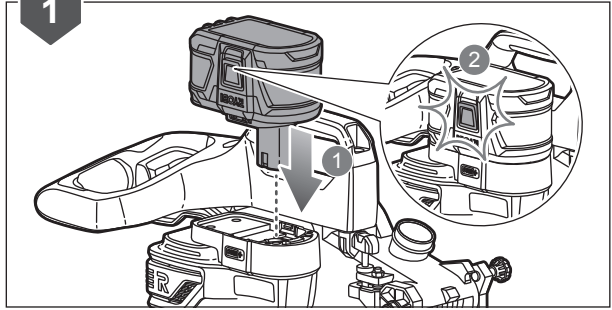
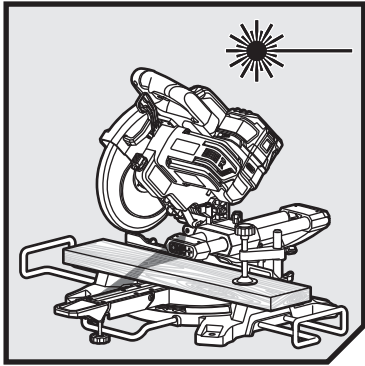


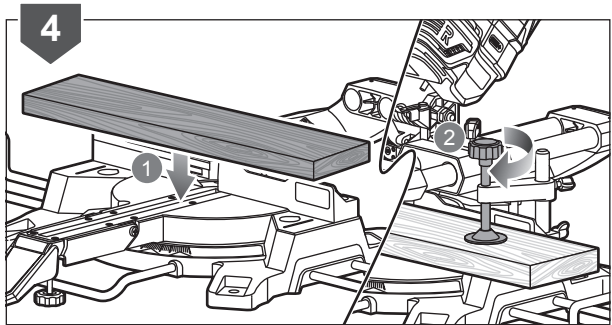
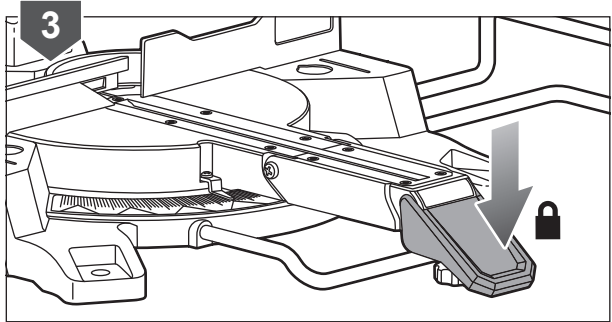
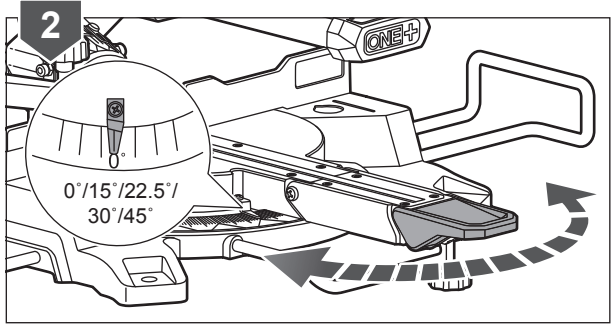
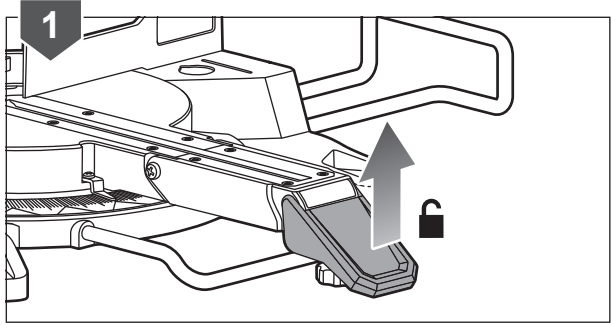
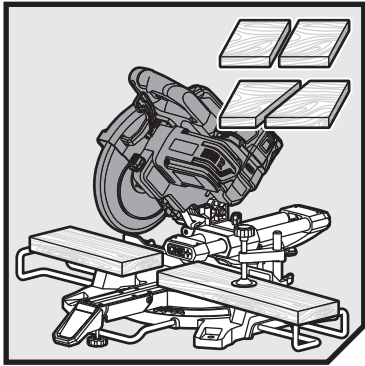


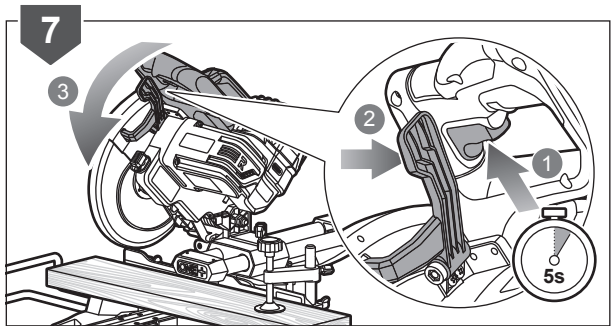
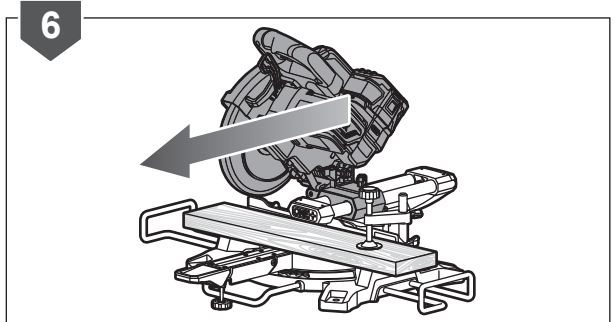
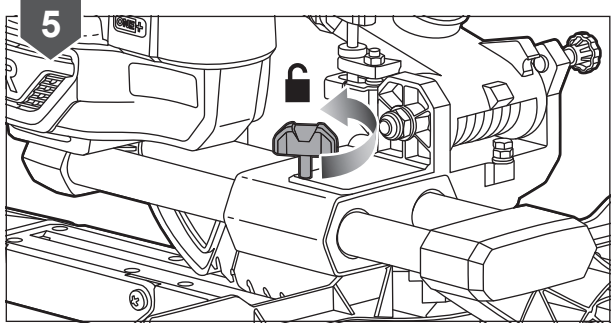
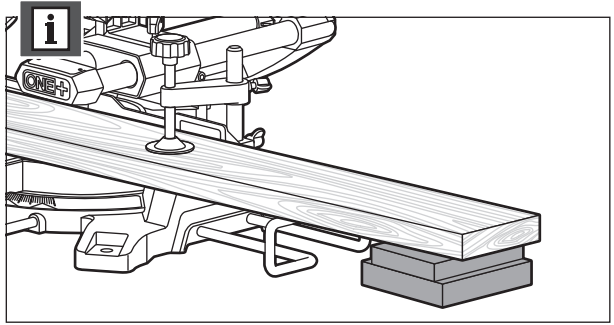




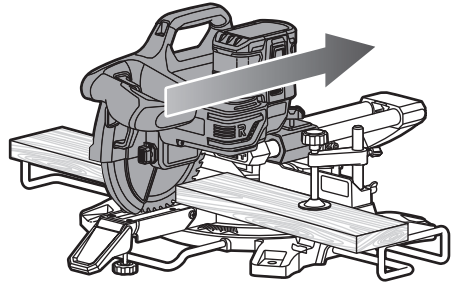




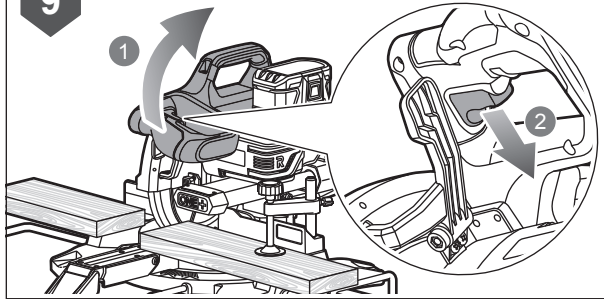




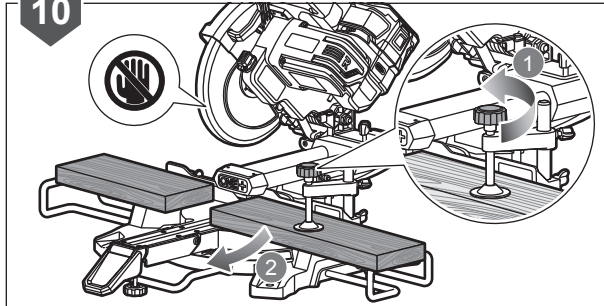
8

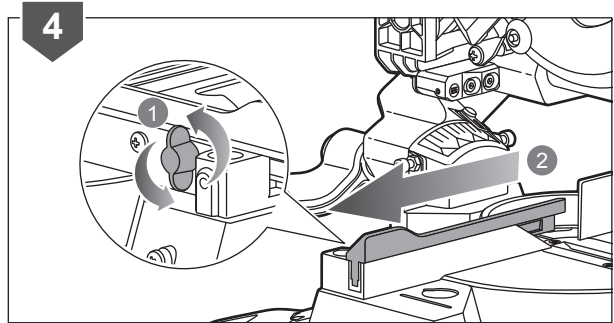
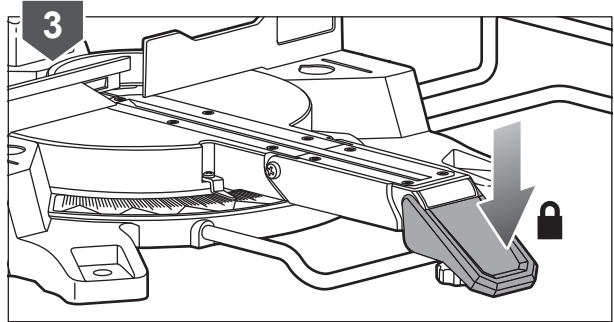
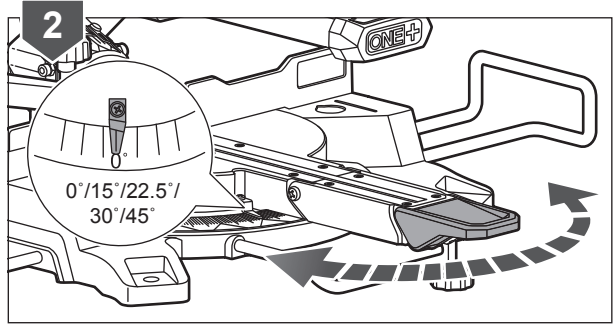
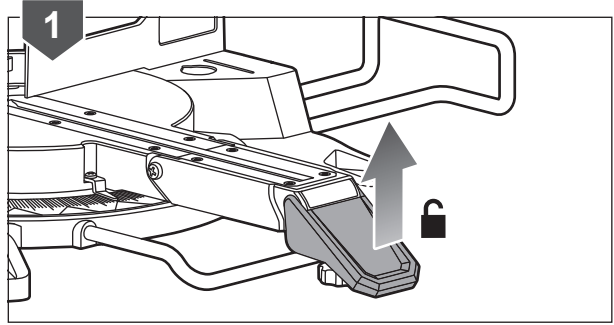
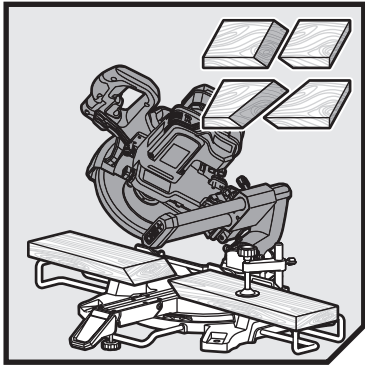


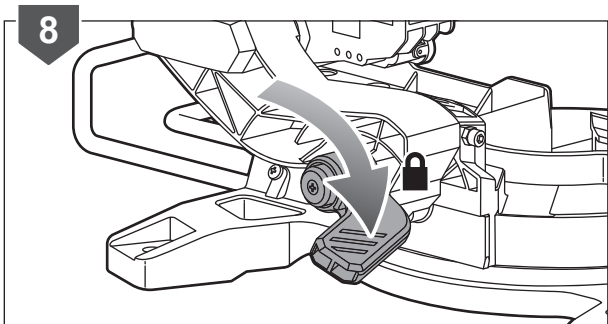
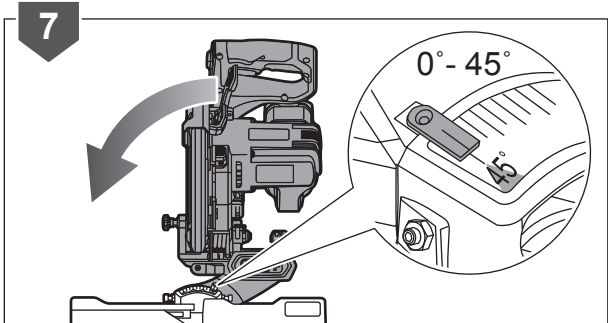
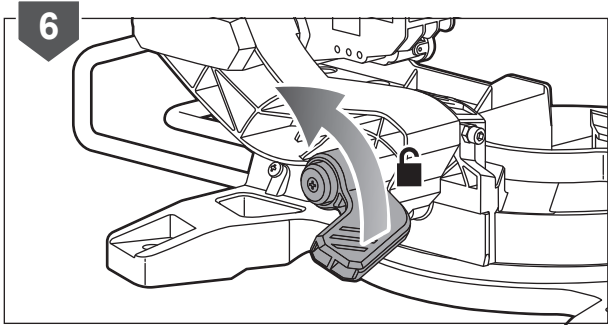
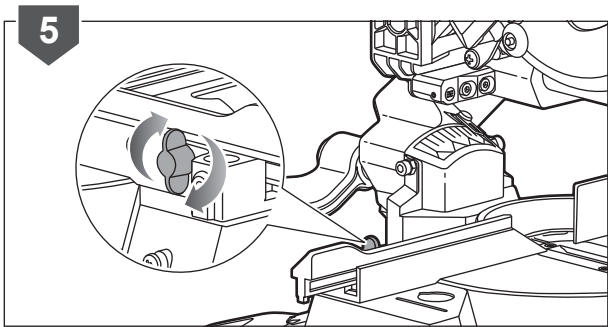
9

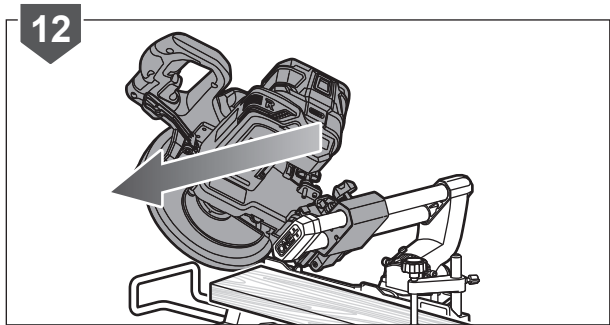
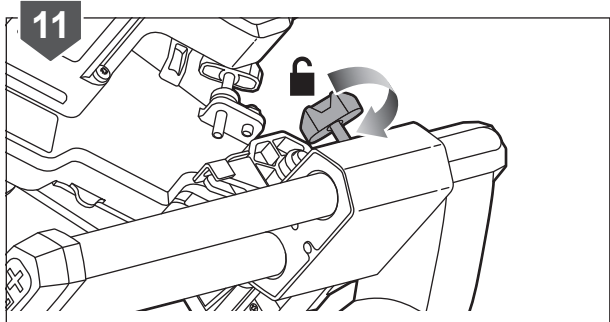
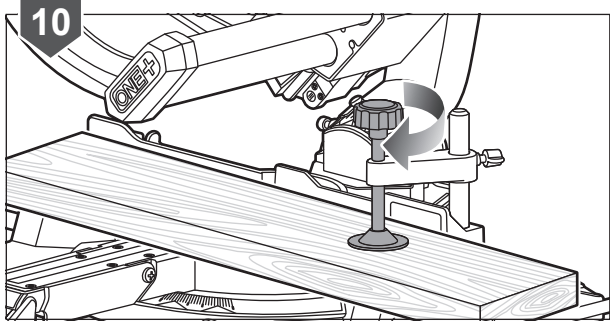
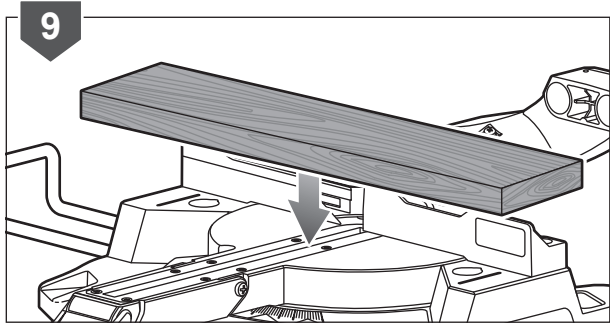


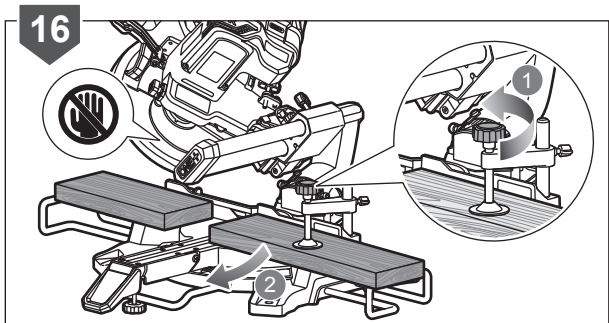
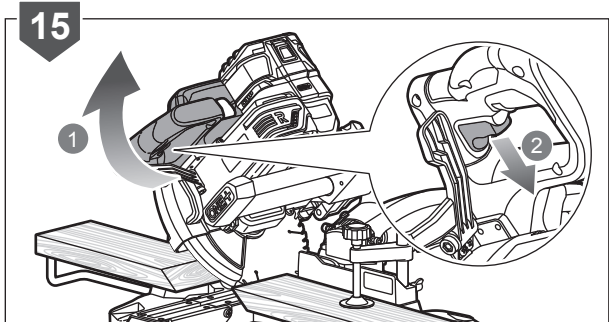
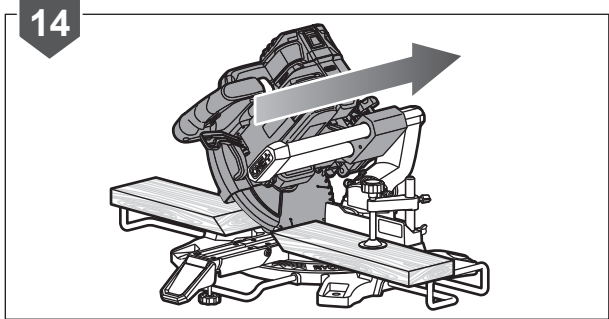
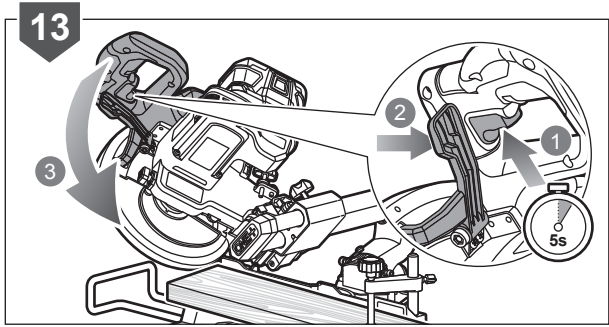
10



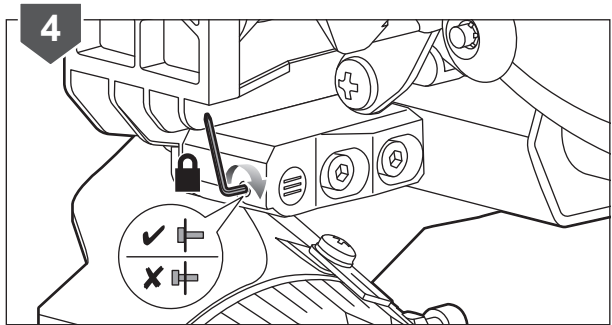
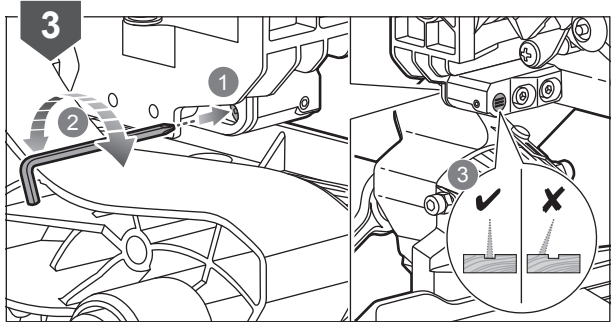
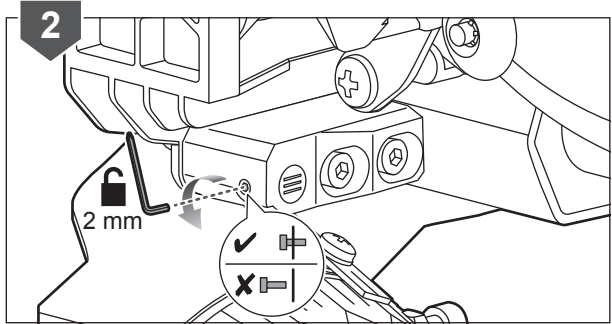
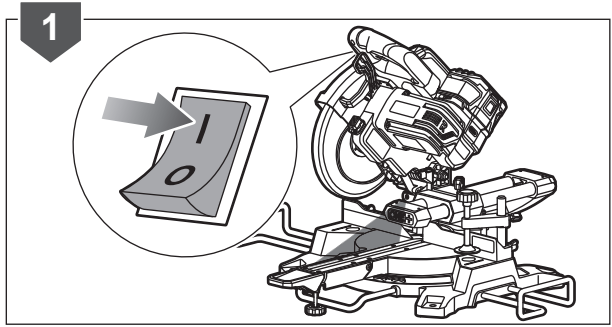
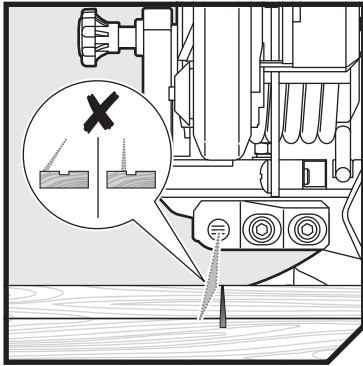


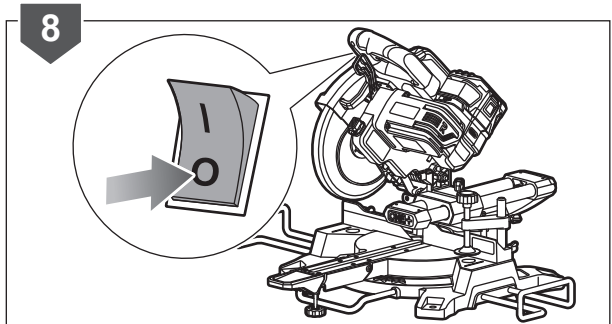
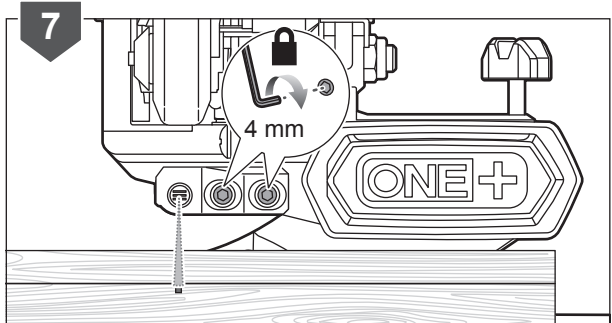
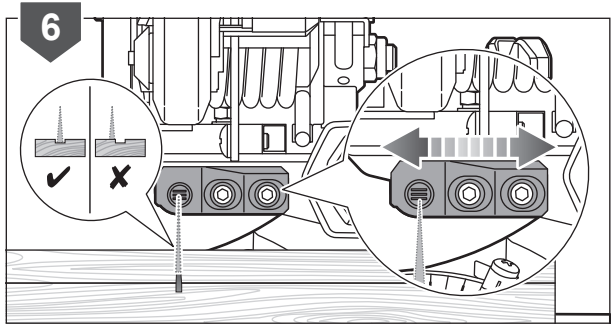
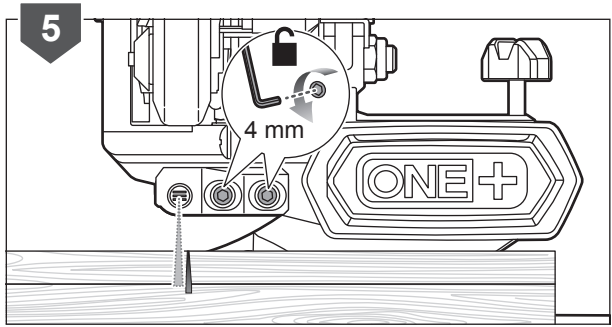


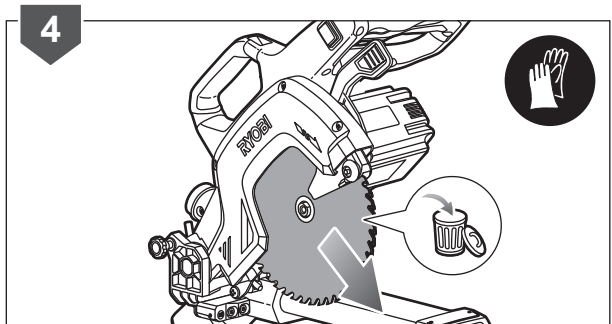
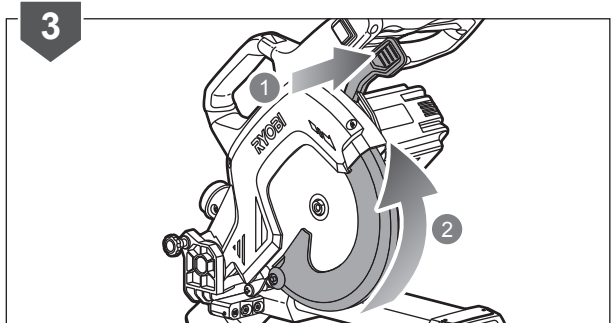
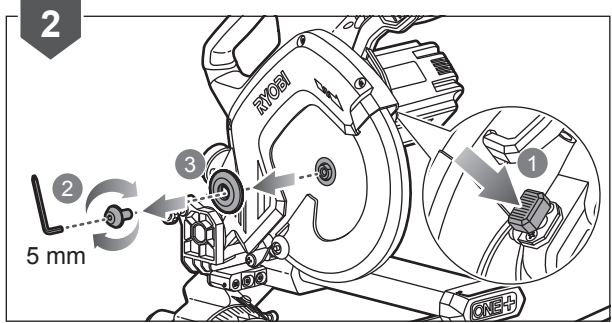
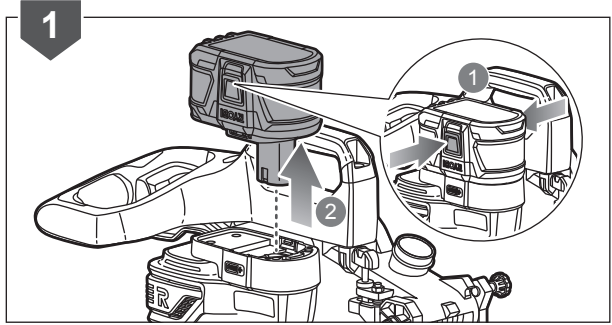
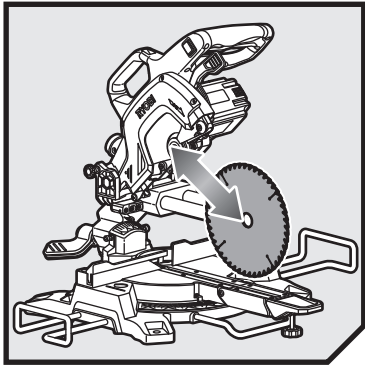


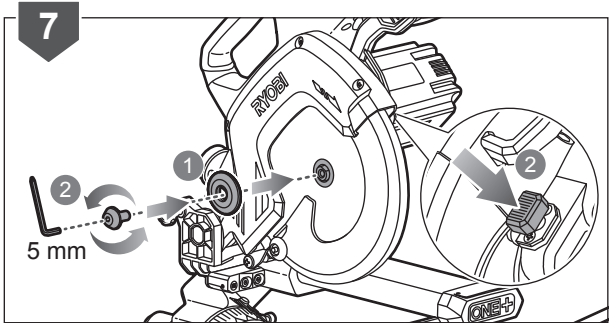
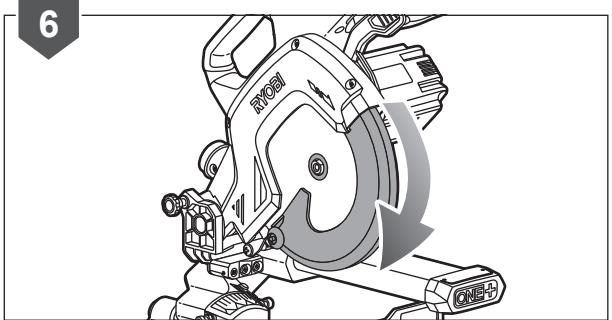
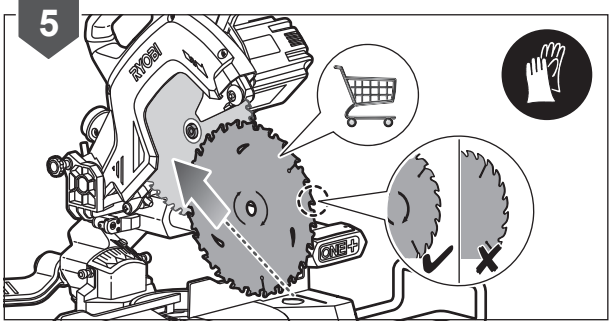
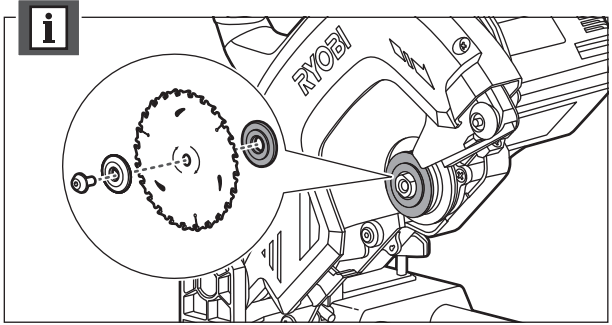


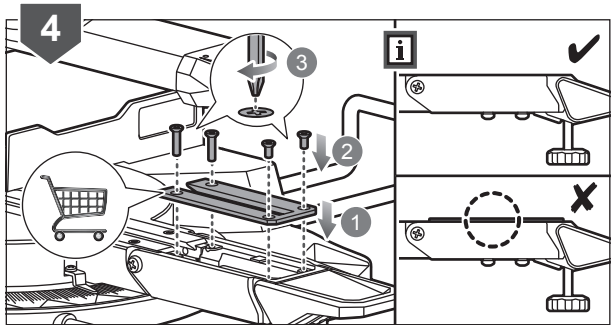
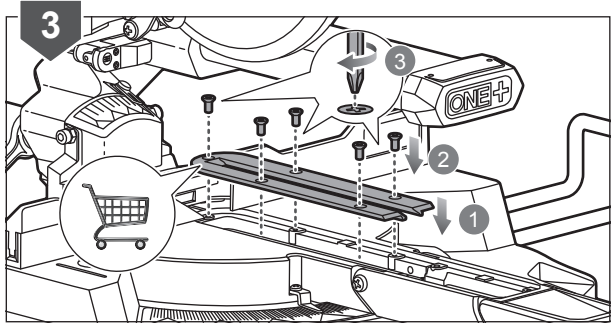
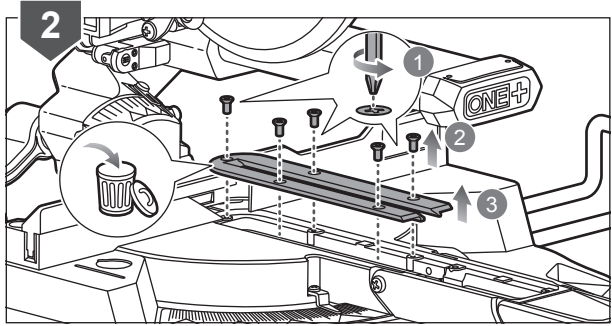
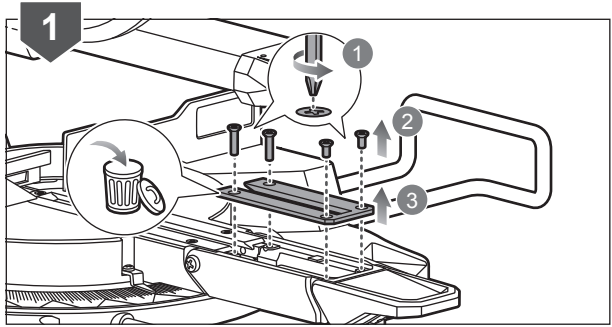
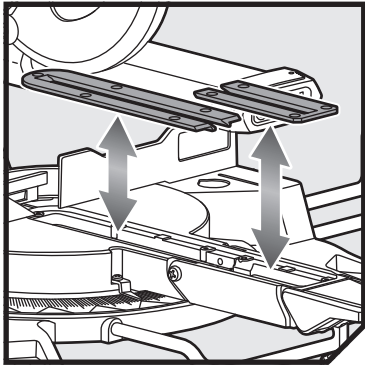


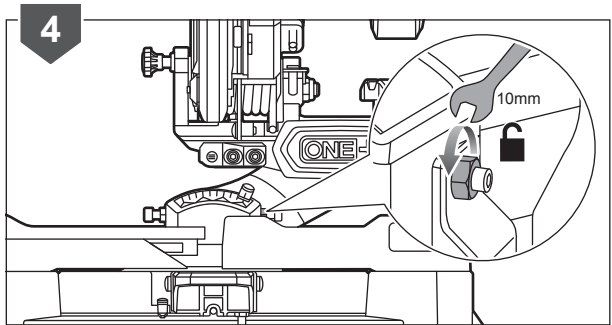
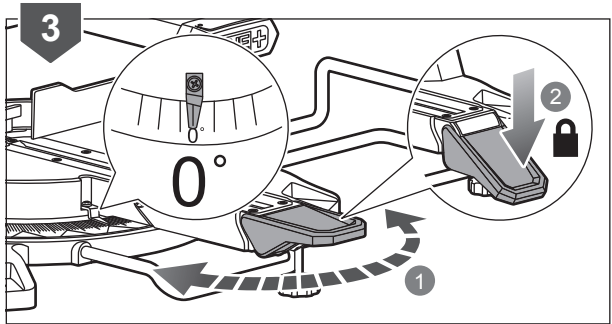
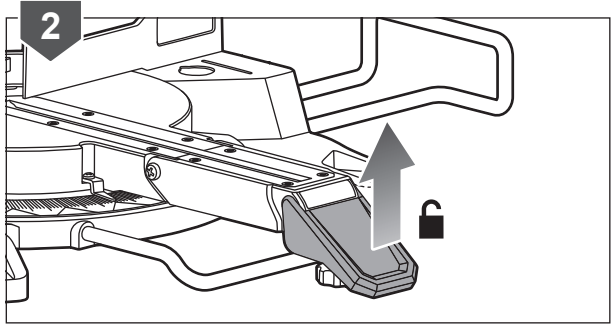
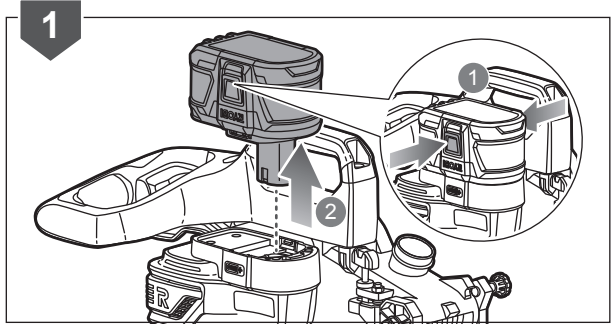
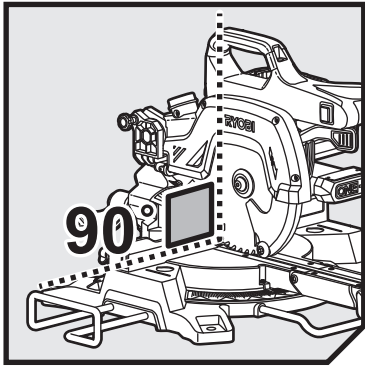


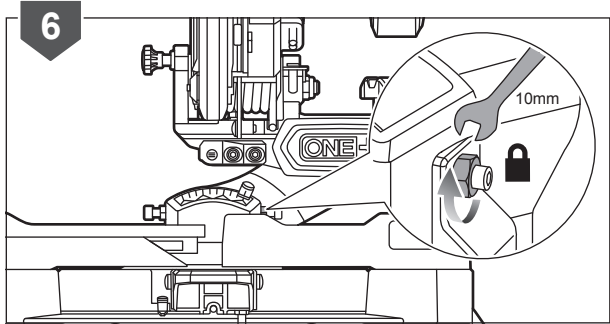
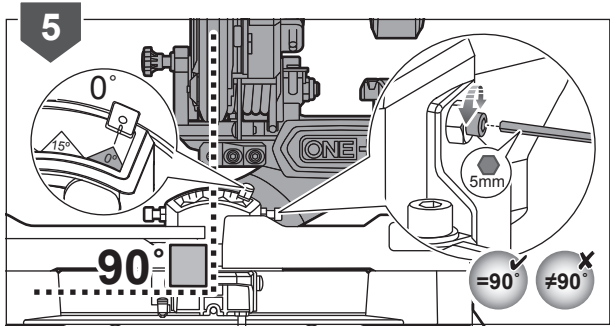


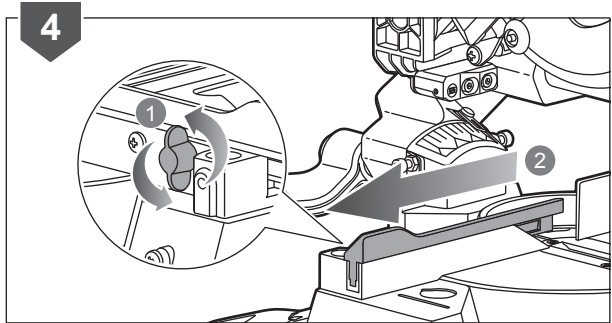
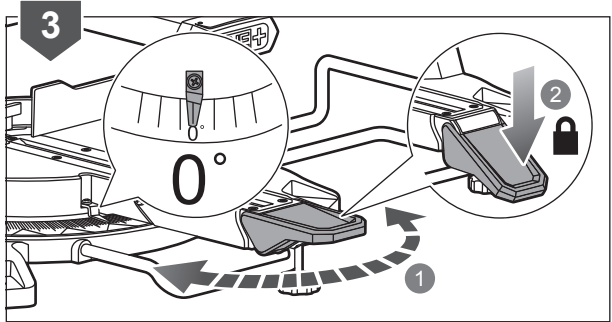
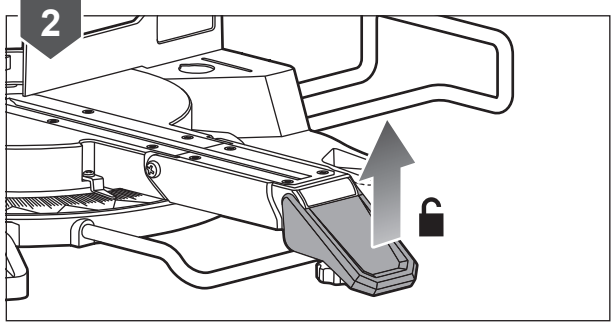
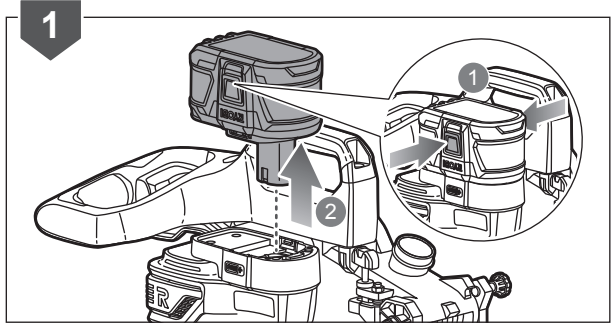
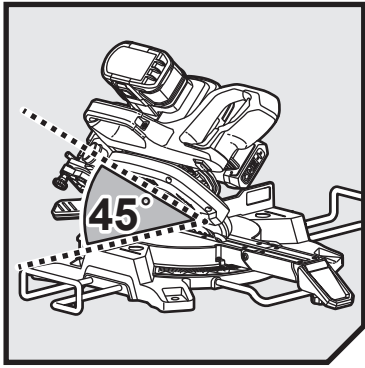




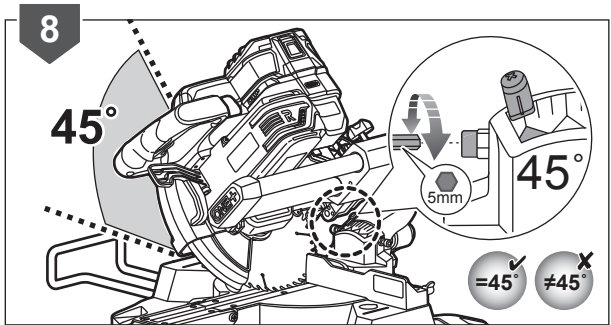
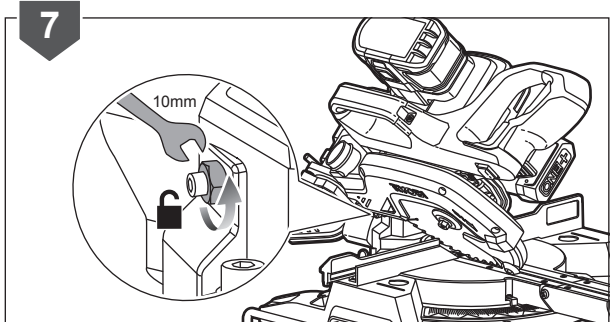
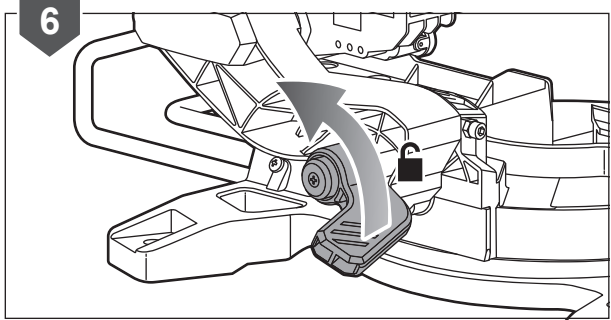
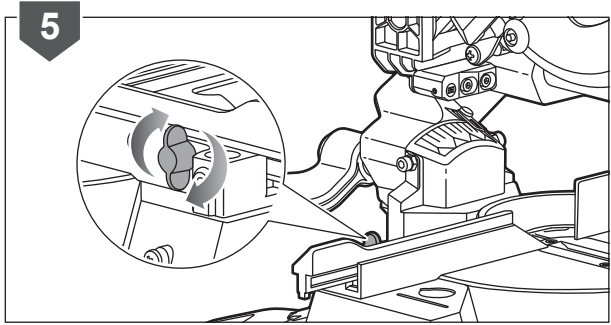


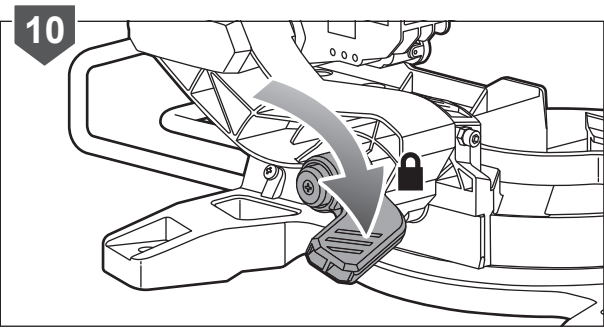
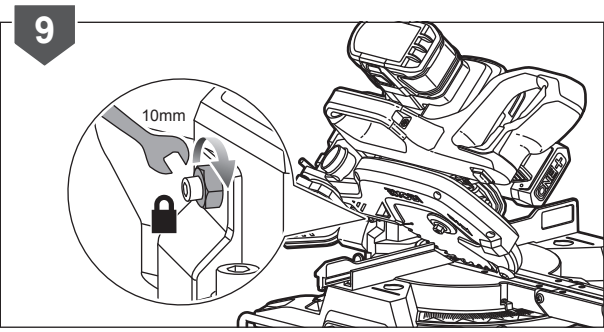


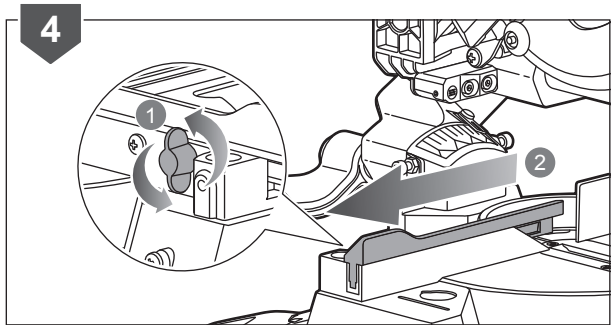
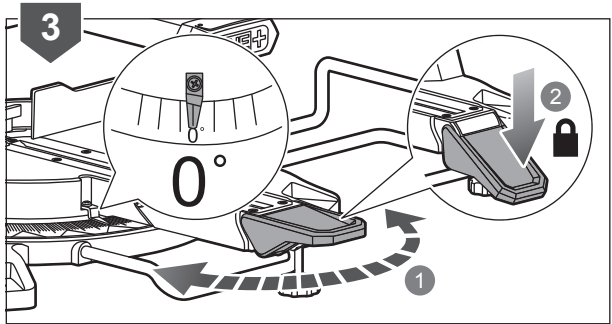
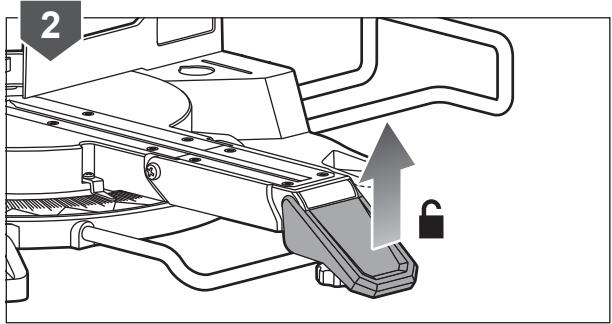
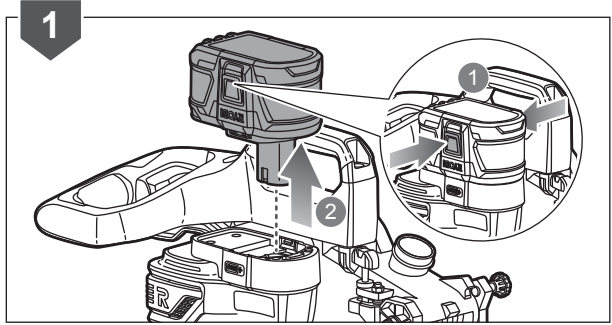
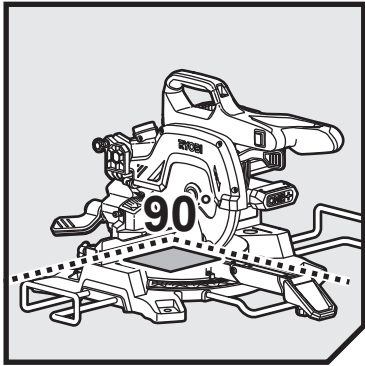


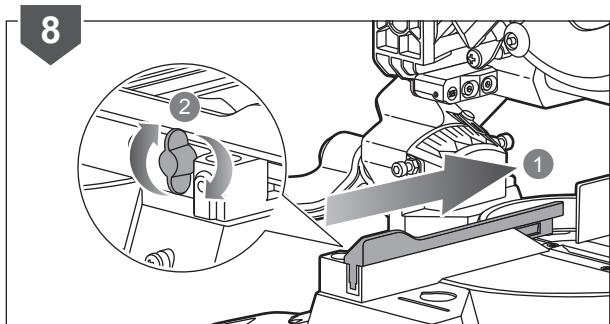
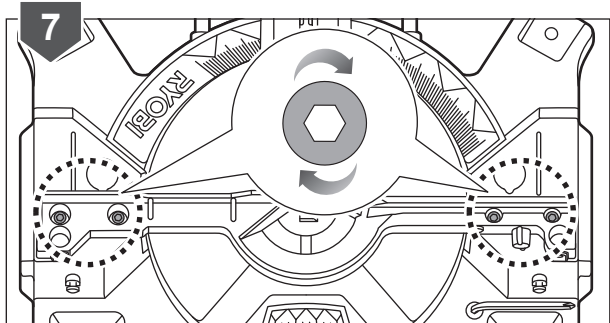
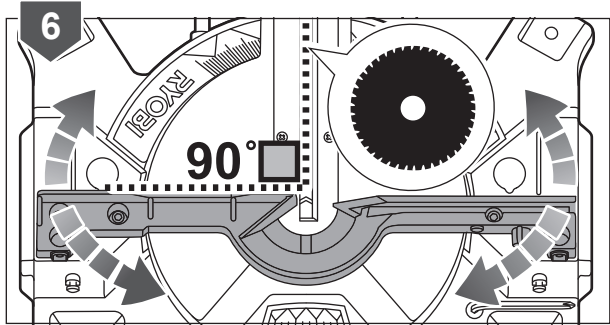
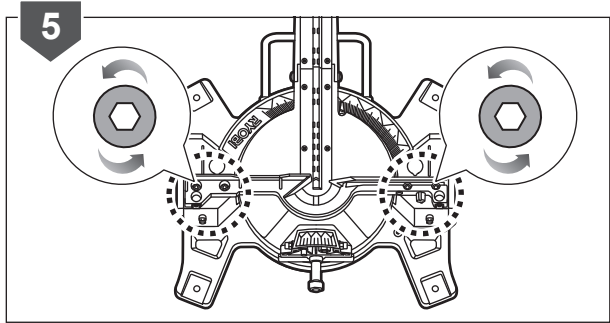


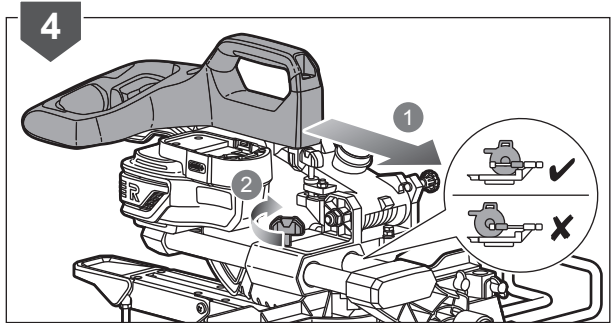
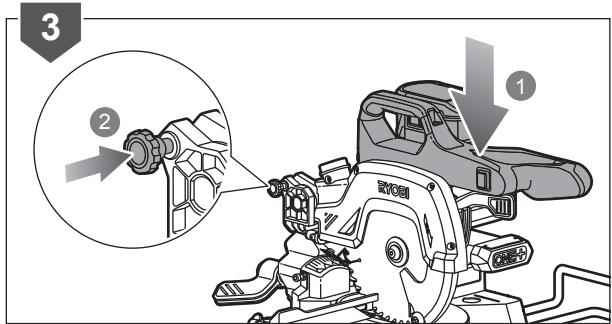
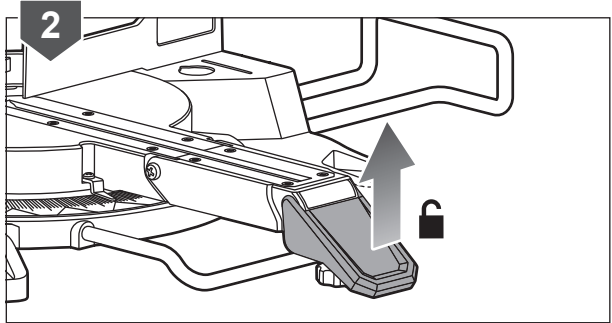
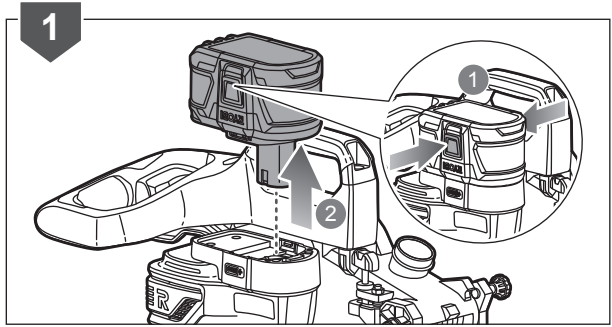
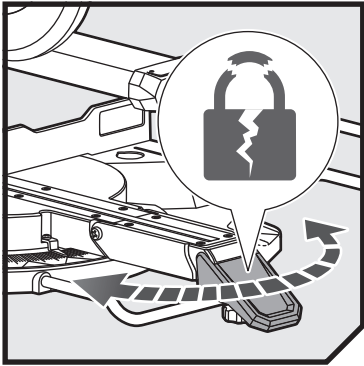


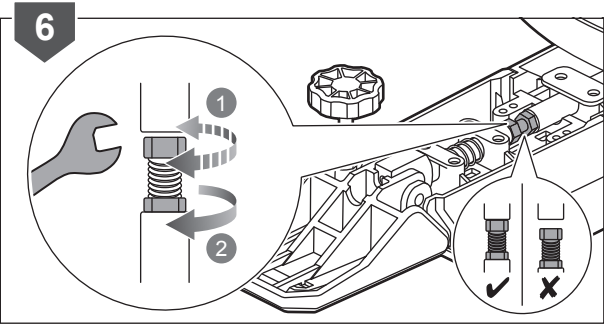
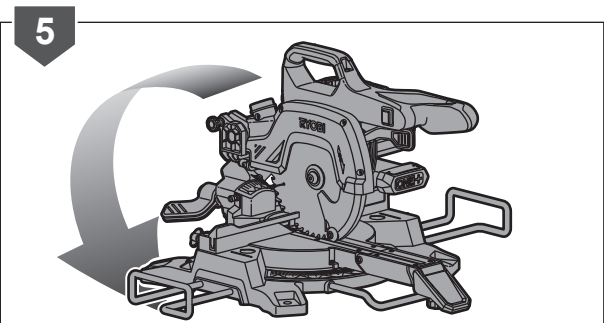


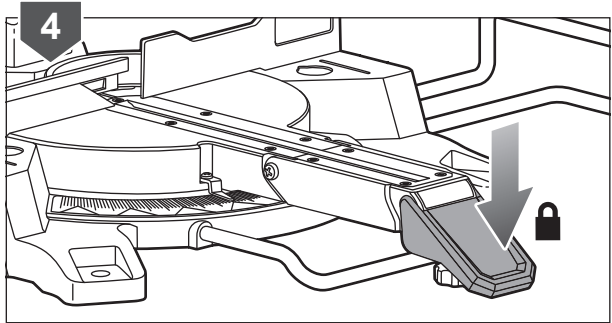
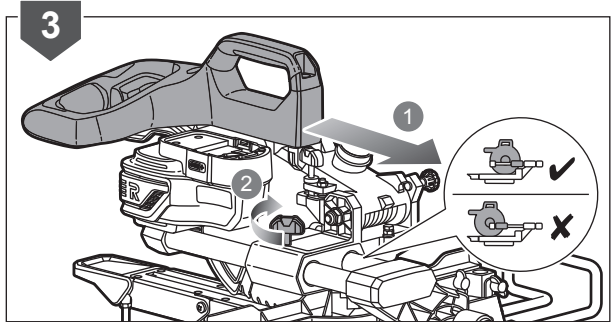
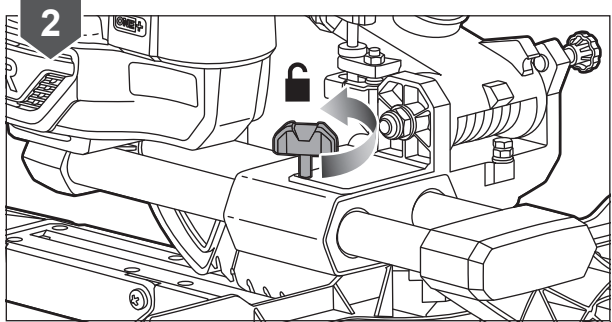
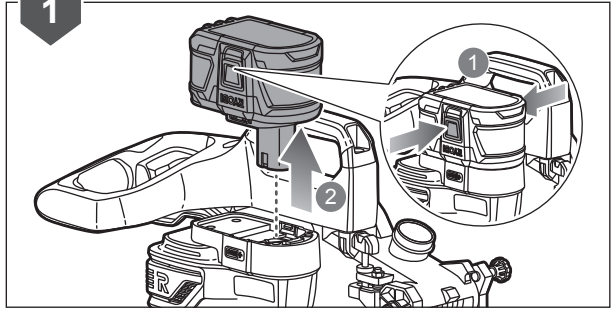
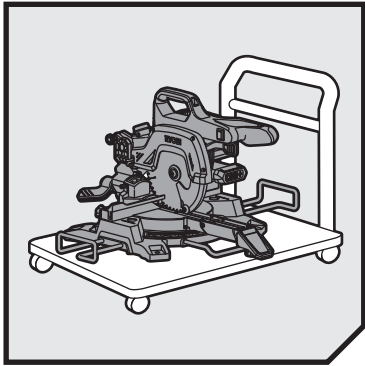


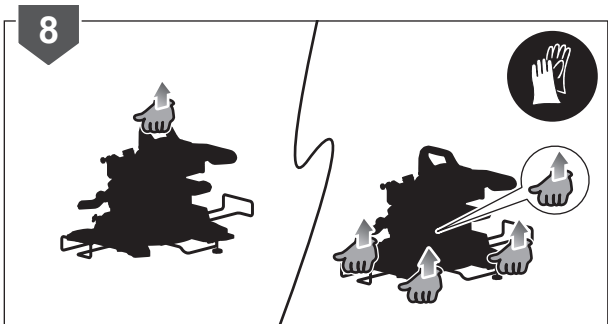
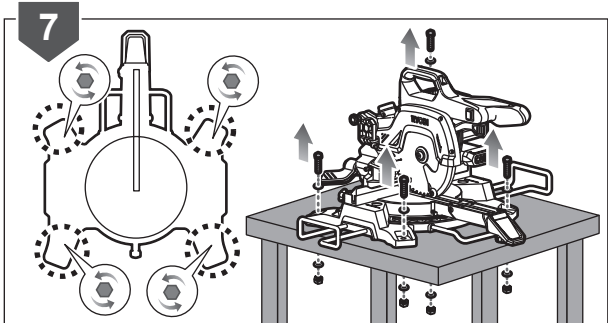
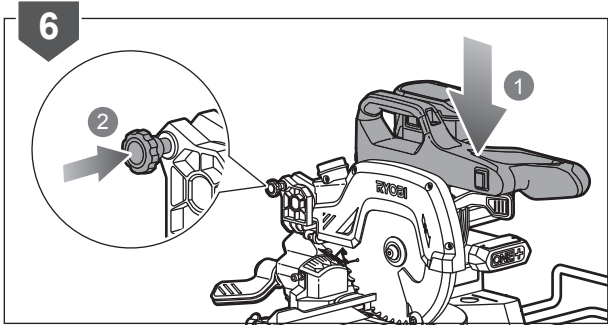
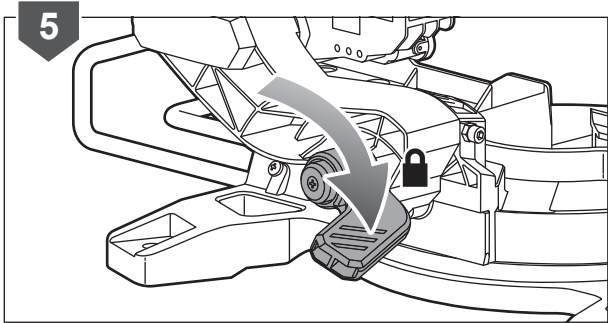












20171229v1









| English   | Français   | Deutsch  | Español   | Italiano  | Nederlands   | Português   |
|---|--|--|---|---|--|---|
| Product specifications  | Caractéristiques de l'appareil   | Produkt-Spezifikationen  | Especificaciones del producto   | Specifiche prodotto   | Productspecificaties   | Especificações do produto   |
| 18V Sliding Compound Mitre Saw  | Scie à Onglet Radiale Combinée de 18 V                                       | 18V Gehrungsskappsäge  | Sierra ingletadora compuesta deslizante de 18 V   | Motosega angolare composta a scorrimento 18 V   | 18 V verstekzaagmachine  | Serra Combinada com Deslize de 18V  |
| Model   | Modèle   | Modell   | Modelo  | Modello   | Model  | Modelo  |
| Net weight  | Poids net  | Nettogewicht   | Peso neto   | Peso netto  | Nettogewicht   | Peso líquido  |
| Blade diameter  | Diamètre du lame de coupe  | Sägeblattdurchmesser   | Diámetro de la hoja   | Diametro lama   | Zaagblad diameter  | Diâmetro da lâmina  |
| Blade teeth   | Nombre de dents  | Sägezähne  | Dientes de la hoja  | Denti lame  | Zaagblad tanden  | Dentes da lâmina  |
| Width of cut  | Largeur de coupe   | Breite des Schnitts  | Ancho del corte   | Ampiezza di taglio  | Maabreedte   | Largura do corte  |
| Arbor hole  | Trou de broche   | Aufnahmebohrung  | Hueco del eje   | Foro dell'albero  | Centergat  | Orifício do eixo  |
| No-load speed r/min. (RPM)  | Vitesse à vide tr/min. (tr.min <sup>-1</sup> )                               | Leerlaufrehzahl U/min  | Velocidad sin carga r/min. (RPM)  | Velocità a vuoto r/min. (RPM)   | Onbelast toerental t/min. (TPM)                                    | Velocidade em vazio r/min. (RPM)  |
| Input   | Alimentation   | Spannung   | Cargador  | Alimentazione   | Input  | Admissão  |
| Laser safety class  | Classe de sécurité du laser  | Laser Sicherheitsklasse  | Tipo de seguridad láser   | Classe di sicurezza laser   | Laserveiligheidsklasse   | Classe de segurança Laser   |
| Cutting capacity  | Capacité de coupe  | Schnittleistung  | Capacidad de corte  | Capacità di taglio  | Zaagcapaciteit   | Capacidade de corte   |
| Mitre 0° x bevel 0°   | Onglet 0° x biseau 0°  | Gehrung 0° x Neigung 0°  | Inglete 0° x bisel 0°   | Angolazione smussatura 0°   | Verstek 0° x afschuining 0°  | Esquadria 0° x bisel 0°   |
| Mitre 0° x bevel 45°  | Onglet 0° x biseau 45°   | Gehrung 0° x Neigung 45°                                       | Inglete 0° x bisel 45°  | Angolazione smussatura 45°  | Verstek 0° x afschuining 45°                                       | Esquadria 0° x bisel 45°  |
| Mitre 45°(Left) x bevel 0°  | Onglet 45°(Gauche) x biseau 0°   | Gehrung 45°(Links) x Neigung 0°                                | Inglete 45° (izquierda) x bisel 0°  | Angolazione 45°(Sinistra) x smussatura 0°   | Verstek 45° (links) x afschuining 0°                               | Esquadria 45° (esquerda) x bisel 0°   |
| Mitre 45°(Right) x bevel 0°   | Onglet 45°(Droit) x biseau 0°  | Gehrung 45°(Rechts) x Neigung 0°                               | Inglete 45° (derecha) x bisel 0°  | Angolazione 45°(Destra) x smussatura 0°   | Verstek 45° (rechts) x afschuining 0°                              | Esquadria 45° (direita) x bisel 0°  |
| Mitre 45°(Left) x bevel 45°   | Onglet 45°(Gauche) x biseau 45°  | Gehrung 45°(Links) x Neigung 45°                               | Inglete 45° (izquierda) x bisel 45°   | Angolazione 45°(Sinistra) x smussatura 45°  | Verstek 45° (links) x afschuining 45°                              | Esquadria 45° (esquerda) x bisel 45°  |
| Mitre 45°(Right) x bevel 45°  | Onglet 45°(Droit) x biseau 45°   | Gehrung 45°(Rechts) x Neigung 45°                              | Inglete 45° (derecha) x bisel 45°   | Angolazione 45°(Destra) x smussatura 45°  | Verstek 45° (rechts) x afschuining 45°                             | Esquadria 45° (direita) x bisel 45°   |
| Min. workpiece dimensions   | Dimensions min. de la pièce  | Min. Werkstückabmessungen                                      | Dimensiones min. de la pieza de trabajo   | Min. misurazione massima dei pezzi  | Min. werkstukafmeting  | Dimensões min. da peça de trabalho  |
| Measured values determined according to EN62841 A-weighted sound pressure level | Valeurs mesurées obtenues selon EN62841 Niveau de pression sonore pondéré-A  | Gemäß EN62841 gemessene Werte A-bewerteter Schalldruckpegel    | Valores medidos determinados de acuerdo con EN62841 Nivel de presión acústica ponderada en A  | Valori misurati determinati in accordo con lo standard EN62841 Livello di pressione sonora pesato A | Valeurs mesurées obtenues selon EN62841 A-gewogen geluidsrukniveau | Valores medidos calculados de acordo com EN62841 Nivel de pressão sonora ponderada A  |
| Uncertainty K   | Incertitude K  | Unsicherheit K   | Incertidumbre K   | Incertezza K  | Onzekerheid K  | Incerteza K   |
| Measured values determined according to EN62841 A-weighted sound power level    | Valeurs mesurées obtenues selon EN62841 Niveau de puissance sonore pondéré-A | Gemäß EN62841 gemessene Werte A-bewerteter Schalleistungspegel | Valores medidos determinados de acuerdo con EN62841 Nivel de potencia acústica ponderada en A | Valori misurati determinati in accordo con lo standard EN62841 Livello di potenza sonora pesato A   | Valeurs mesurées obtenues selon EN62841 A-gewogen geluids niveau   | Valores medidos calculados de acordo com EN62841 Nivel de potência sonora ponderada A |
| Uncertainty K   | Incertitude K  | Unsicherheit K   | Incertidumbre K   | Incertezza K  | Onzekerheid K  | Incerteza K   |
| Replacement parts:  | Pièces de Rechange:  | Ersatzteile:   | Piezas de repuesto:   | Parti di ricambio:  | Vervangonderdelen:   | Peças de substituição:  |
| Saw blade   | Lame de scie   | Sägeblatt  | Cuchilla de la sierra   | Lama sega   | Zaagblad   | Lâmina da serra   |
| Table insert (kerf plate)   | Insert de plaque(plaque de trait de scie)                                    | Tischeinsatz (Schnittplatte)                                   | Accesorio para mesa (placa de corte)  | Inserto del tavolo (piastra intagliata)   | Tabelinvoegblad (zaagsnedeplaat)                                   | Embutido da mesa (placa do canal)   |
| Inner flange  | Flasque intérieur  | Innerer Flansch  | Reborde interior  | Flangia interna   | Binnenste flens  | Rebordo interior  |
| Outer flange  | Flasque extérieur  | Äußerer Flansch  | Reborde exterior  | Flangia esterna   | Buitenste flens  | Flange externa  |
| Dust bag  | Sac à poussière  | Staubbeutel  | Bolsa para el polvo   | Sacchetto per la polvere  | Stofzak  | Saco para o pó  |
| Extension bar (left and right)  | Barre d'extension (gauche et droite)   | Verlängerungsschiene (links und rechts)                        | Barra de extensión (izquierda y derecha)  | Prolunga (destra e sinistra)  | Verlengstaaf (links en rechts)                                     | Barra de extensão (esquerda e direita)  |





| Dansk   | Svenska  | Suomi   | Norsk   | Русский  | Polski   |                              |
|---|--|---|---|--|--|------------------------------|
| Produktspecifikationer  | Produktspecifikationer                               | Tuotteen tekniset tiedot  | Produktspecificasjoner                                    | Характеристики изделия   | Parametry techniczne   |                              |
| 18 V Glidende kap- og geringsssav                                     | 18 V Skjutbar kap- och geringsssåg                   | 18 V Liukuva yhdistelmäviistesaha   | 18 V glideende kombinert gjæresag                         | Комбинированная подвижная торцово-усовочная пила 18В   | Pilarka stolowa - ukońska 18 V   |                              |
| Model   | Modell   | Malli   | Modell  | Модель   | Model  | R18MS216                     |
| Nettovægt   | Nettovikt  | Kokonaispaino   | Nettovekt   | Вес нетто  | Masa netto   | 14,4 kg                      |
| Klingediameter  | Klingdiameter  | Terän läpimitta   | Bladdiameter  | Диаметр режущего диска   | Średnica tarczy tnącej   | 216 mm                       |
| Klingetænder  | Sågtand  | Terän hampaat   | Bladtenner  | Число зубьев   | Liczba zębów tarczy  | 48                           |
| Snitbredde  | Skärbredd  | Leikkauksen leveys  | Bredde på kappet  | Ширина разреза   | Szerokość cięcia   | 1,6 mm                       |
| Spindelhul  | Spindelhål   | Karan reikä   | Spindelhull   | Рабочее отверстие  | Otwór trzpienia  | 30 mm                        |
| Tomgangshastighed omdr./min. (RPM)                                    | Tomgångshastighet v/min (varv per minut)             | Tyhjäkäyntinopeus kier./min (RPM)   | Hastighet ubelastet o/min. (RPM)                          | Скорость на холостом ходу об/мин   | Prędkość bez obciążenia obr./min. (RPM)                                  | 3,200 +/-10%                 |
| Strømforsyning  | Matningsspänning                                     | Virrankulutus   | Input   | Питание  | Zasilanie  | 18V                          |
| Lasersikkerhedsklasse   | Säkerhetsklassad laser                               | Laserin turvallisuusluokitus  | Laser sikkerhetsklasse                                    | Класс соответствия лазерной безопасности   | Klasa bezpieczeństwa lasera  | 2                            |
| Savekapacitet   | Skärkapacitet  | Leikkaukapasiteetti   | Sagekapasitet   | Режущая способность  | Zakres możliwości cięcia   |                              |
| Gering 0° x smig 0°   | Lutning 0° x vinkel 0°                               | Viiste 0° x särmä 0°  | Gjærsing 0° x skråkant 0°                                 | Угол поворота 0° x угол наклона 0°   | Ukos 0° x skos 0°  | 70 mm x 270 mm               |
| Gering 0° x smig 45°  | Lutning 0° x vinkel 45°                              | Viiste 0° x särmä 45°   | Gjærsing 0° x skråkant 45°                                | Угол поворота 0° x угол наклона 45°  | Ukos 0° x skos 45°   | 48 mm x 270 mm               |
| Gering 45°(venstre) x smig 0°   | Lutning 45° (vänster)° x vinkel 0°                   | Viiste 45° (vasen) x särmä 0°   | Gjærsing 45°(venstre) skråkant 0°                         | Угол поворота 45°(влево) x угол наклона 0°   | Ukos 45°(w lewo) x skos 0°   | 70 mm x 185 mm               |
| Gering 45°(højre) x smig 0°   | Lutning 45° (höger)° x vinkel 0°                     | Viiste 45° (oikea) x särmä 0°   | Gjærsing 45°(høyre) skråkant 0°                           | Угол поворота 45°(вправо) x угол наклона 0°  | Ukos 45°(w prawo) x skos 0°  | 70 mm x 185 mm               |
| Gering 45°(venstre) x smig 45°  | Lutning 45° (vänster)° x vinkel 45°                  | Viiste 45° (vasen) x särmä 45°  | Gjærsing 45°(venstre) skråkant 45°                        | Угол поворота 45°(влево) x угол наклона 45°  | Ukos 45°(w lewo) x skos 45°  | 48 mm x 185 mm               |
| Gering 45°(højre) x smig 45°  | Lutning 45° (höger)° x vinkel 45°                    | Viiste 45° (oikea) x särmä 45°  | Gjærsing 45°(høyre) skråkant 45°                          | Угол поворота 45°(вправо) x угол наклона 45°   | Ukos 45°(w prawo) x skos 45°   | 48 mm x 185 mm               |
| Min. mål på arbejdssemner   | Min. avmätning av arbetsstycket                      | Työkappaleen minimaalinen   | Min. verktoyamå   | Минимальные размеры  | Min. wymiary przedmiotu obrabianego                                      | 130 mm x 35 mm x 2,5 mm      |
| Målte værdier bestemmes i henhold til EN62841 A-vægtet lydtryksniveau | Värden uppmätta enligt EN62841 A-vägd ljudtrycksnivå | Mitatut arvot määritetty EN62841 -standardin mukaan A-painotettu äänenpainetaso | Målte verdier i samsvar med EN62841 A-vektet lydtryknivå  | Измеренные значения определены в соответствии с EN62841 Уровень A-взвешенного звукового давления | Zmierzone wartości określone wg EN62841 A-ważony poziom ciśnienia hałasu | L <sub>pa</sub> = 89,0 dB(A) |
| Usikkerhed K  | Osäkerhet K  | Epätarkkuus K   | Usikkerhet K  | Разброс K  | Niepewność pomiaru K   | 3 dB                         |
| Målte værdier bestemmes i henhold til EN62841 A-vægtet lydtekniveau   | Värden uppmätta enligt EN62841 A-vägd ljudtekniveau  | Mitatut arvot määritetty EN62841 -standardin mukaan A-painotettu äänenteho      | Målte verdier i samsvar med EN62841 A-vektet lydtekniveau | Измеренные значения определены в соответствии с EN62841 Уровень A-взвешенной звуковой мощности   | Zmierzone wartości określone wg EN62841 A-ważony poziom natężenia hałasu | L <sub>wa</sub> = 99,0 dB(A) |
| Usikkerhed K  | Osäkerhet K  | Epätarkkuus K   | Usikkerhet K  | Разброс K  | Niepewność pomiaru K   | 3 dB                         |
| Reserveedele:   | Utbytesdelar:  | Varaosat:   | Reserveedeler:  | Закпасные части:   | Części zamienne:   |                              |
| Savklinge   | Sågblad  | Sahanterä   | Sagblad   | Пильное полотно  | Tarcza tnąca   | 5132002620                   |
| Bordindsats (snitplade)   | Bordsinsats (sågsnittsplatta)                        | Pöytäinserti (kerf-levy)  | Bordinnlegg (slisseplate)                                 | Пластина для пропила (торцевая пластина)   | Wstawka stolowa  | 5131041273                   |
| Indvendig flange  | Inre fläns   | Sisäläippä  | Innvendig flens   | Внутренний фланец  | Kolnierz wewnętrzny  | 5131041274                   |
| Yderflange  | Ytre fläns   | Ulkoäippä   | Utvendig sideestykke                                      | Внешний фланец   | Kolnierz zewnętrzny  | 5131041275                   |
| Støvpose  | Dammpåse   | Pölypussi   | Støvpose  | Пылесборный мешок  | Worek na pył   | 5131041276                   |
| Førlængerstang (venstre og højre)                                     | Förlängningsstång (vänster och höger)                | Jatkopalkki (vasen ja oikea)  | Førlængerstang (venstre og høyre)                         | Наставка (правая и левая)  | Pręt przedłużający (lewy i prawy)  | 5131041277                   |





| Čeština   | Magyar  | Română   | Latviski  | Lietuviškai  | Eesti   |
|---|---|--|---|--|---|
| Technické údaje produktu  | Termék műszaki adatai   | Specificațiile produsului  | Produkta specifikācijas   | Gaminio techninės savybės  | Toote tehnilised andmed   |
| 18Voltová posuvná pokosová píla pro složené řezy                                    | 18 V-os csúsizó kombinált gérvágó fűrész  | Gisareea ferăstrăului unghiular combinat de 18V  | 18 V lenķzāģa slidošais savienojums                                       | 18 V sudurtinio pjovimo pjūklas su kreiptuvu                                   | Ületõmmatav kombineeritud kaldõikeasaag, 18 V   |
| Model   | Tipus   | Model  | Modelis   | Modelis  | Mudeli tähis  |
| Čistá hmotnost  | Nettó tömeg   | Greutate netă  | Svars neto  | Neto svoris  | Netomass  |
| Průměr kotouče  | Tárcsa átmérője   | Diametru lamă  | Asmens diametrs   | Pjovimo disko skersmuo   | Saeketta läbimõõt   |
| Zub kotouče   | Fűrészlap fogai   | Dinte lamă   | Asmens zobi   | Geležies dantukų skaičius  | Lõiketera hammas  |
| Šířka řezu  | Vágás szélessége  | Lățime a tăierii   | Griezuma platums  | Pjovimo plotis   | Lõikelaius  |
| Otvor hřídele   | Tengelyfurat  | Orificiu arbore  | Vārpstas atvere   | Ašies anga   | Võlliava  |
| Otáčky naprázdno ot./min. (RPM)   | Üresjárati fordulatszám ford./perc (RPM)  | Viteză în gol rot/min. (RPM)   | Apgriezieni bez slodzes aprg./min. (RPM)                                  | Greitis be apkrovimo aps./min. (apsukų per minutę)                             | Kiirus ilma koormuseta p/min. (p/min)   |
| Vstup   | Bemenet   | Intrare  | Ieeja   | Ivestis  | Admissão  |
| Třída laserové bezpečnosti  | Lézer biztonsági osztály  | Clasă de siguranță laser   | Lāzera drošības klase   | Lazerio saugos klasė   | Laseri ohutusklass  |
| Maximální profez  | Vágásteljesítmény   | Capacitate de tăiere   | Zāģēšanas ražība  | Pjovimo talpa  | Lõikesügavus  |
| Pokos 0° x úkos 0°  | Gérvágás 0° x ferdevágás 0°   | Unghi 0° x tăietură la 0°  | Lenķis 0° x slīpums 0°  | Užkarpa 0° x nuožambis 0°  | Kaldõige 0° x nurkõige 0°   |
| Pokos 0° x úkos 45°   | Gérvágás 0° x ferdevágás 45°  | Unghi 0° x tăietură la 45°   | Lenķis 0° x slīpums 45°   | Užkarpa 0° x nuožambis 45°   | Kaldõige 0° x nurkõige 45°  |
| Pokos 45°(vlevo) x úkos 0°  | Gérvágás 45°(bal) x ferdevágás 0°   | Unghi de 45°(Stânga) x tăietură la 0°  | Lenķis 45°(pa kreisi) x slīpums 0°  | Užkarpa 45°(kairėje) x nuožambis 0°  | x Kaldõige 45° (vasak) x nurkõige 0°  |
| Pokos 45°(vpravo) x úkos 0°   | Gérvágás 45°(jobb) x ferdevágás 0°  | Unghi de 45°(Dreapta) x tăietură la 0°   | Lenķis 45°(pa labi) x slīpums 0°  | Užkarpa 45°(dešinėje) x nuožambis 0°   | x Kaldõige 45° (parem) x nurkõige 0°  |
| Pokos 45°(vlevo) x úkos 45°   | Gérvágás 45°(bal) x ferdevágás 45°  | Unghi de 45°(Stânga) x tăietură la 45°   | Lenķis 45°(pa kreisi) x slīpums 45°                                       | Užkarpa 45°(kairėje) x nuožambis 45°   | x Kaldõige 45° (vasak) x nurkõige 45°   |
| Pokos 45°(vpravo) x úkos 45°  | Gérvágás 45°(jobb) x ferdevágás 45°   | Unghi de 45°(Dreapta) x tăietură la 45°  | Lenķis 45°(pa labi) x slīpums 45°   | Užkarpa 45°(dešinėje) x nuožambis 45°  | x Kaldõige 45° (parem) x nurkõige 45°   |
| Min. rozměry obrobku  | Min. munkadarab méretek   | Dimensiunile minimă ale piesei de prelucrat  | Min. aprādājāmās detaļas izmērs   | Min. apdorojamos detalės matavymai   | Min. tooniku mõõtmed  |
| Naměřené hodnoty zjištěné dle EN62841<br>Hladina akustického tlaku vážená funkcí A  | A mért értékek meghatározása az EN62841 szerint történt A-súlyozott hangnyomásszint       | Valori măsurate determinate în conformitate cu EN62841<br>Nivel de presiune acustică ponderată A | Izmērtās vērtības saskaņā ar EN62841<br>A-līmeņa skaņas spiediena līmenis | Išmatuotosis vertės nustatytos pagal EN62841<br>A svertinis garso slėgio lygis | Mõõteväärtused on kindlaks määratud vastavalt standardile EN62841<br>A-kaalutud helirõhu tase     |
| Nejistota K   | Bizonytalanság K  | Incertitudine K  | Kļūdas vērtība K  | Nepastovumas K   | Mõõtemääramatus K   |
| Naměřené hodnoty zjištěné dle EN62841<br>Hladina akustického výkonu vážená funkcí A | A mért értékek meghatározása az EN62841 szerint történt A-súlyozott hangteljesítményszint | Valori măsurate determinate în conformitate cu EN62841<br>Nivel de putere acustică ponderată A   | Izmērtās vērtības saskaņā ar EN62841<br>A-līmeņa skaņas jaudas līmenis    | Išmatuotosis vertės nustatytos pagal EN62841<br>A svertinis garso galios lygis | Mõõteväärtused on kindlaks määratud vastavalt standardile EN62841<br>A-kaalutud helivõimsuse tase |
| Nejistota K   | Bizonytalanság K  | Incertitudine K  | Kļūdas vērtība K  | Nepastovumas K   | Mõõtemääramatus K   |
| Náhradní díly:  | Cserealkatrészek:   | Piese de schimb:   | Rezerves daļas:   | Atsarginės detalės:  | Asendusosad:  |
| Pilový kotouč   | Fűrészlap   | Lama ferăstrăului  | Zāģa asmens   | Pjūklų geležtė   | Saeleht   |
| Vložka stolu (deska řezu)   | Lemezbeillesztés (fűrészjáratlemez)   | Insertia de masă (plăcuța kerf)  | Galda ieliknis (skavu plāksne)  | Pagrindų dėklas (prapjovos plokštė)  | Vahelaud (saeplaat)   |
| Vnitřní příruba   | Belső perem   | Flanșa interioară  | Iekšējais atloks  | Vidinė jungė   | Seesmine äärk   |
| Vnější příruba  | Külső alátét  | Flanșa exterioră   | Ārējais atloks  | Disko jungė  | Ketta äärk  |
| Sáček pro prach   | Porzák  | Sac pentru praful  | Puteķu soma   | Dulkų maišelis   | Toimukott   |
| Nástavná podpera (levá a pravá)   | Hosszabbító rúd (bal és jobb)   | Bara de prelungire (stânga și dreapta)   | Pagarinājuma stienis (kreisais un labais)                                 | Ilginamasis skersinis (kairysis ir dešinysis)                                  | Pikenduslatt (vasak ja parem)   |





| Hrvatski                                      | Slovensko  | Slovenčina                            | България  | українська мова  | Türkçe   | Ελληνικά   |                              |
|---|--|---------------------------------------|---|--|--|--|------------------------------|
| Specifikacije proizvoda                       | Specifikacije izdelka                                      | Špecifikácia                          | Технически характеристики   | Технічні характеристики продукту   | Ürün Özellikleri   | Προδιαγραφές Προϊόντος   |                              |
| Pomaknute sklop kutne pile od 18V             | 18V Pogrezna poševna krožna žaga                           | 18V rozbrušovačka s posuvným prvkom   | Плъзгащ се циркуляр за смесени рязания под ъгъл, 18 V   | Розсувна комбінована торцювальна пилка 18В   | 18V Kızaklı Bileşik Kesme Testeresi  | Συρόμενος Σύνθετος Πάγκος Φαλτοσγωνίας 18V   |                              |
| Model   | Model  | Model                                 | Модел   | Модель   | Model  | Μοντέλο  | R18MS216                     |
| Neto težina                                   | Neto teža  | Netto hmotnosť                        | Нетно тегло   | Вага нетто   | Net ağırlık  | Καθαρό βάρος   | 14,4 kg                      |
| Promjer rezne ploče                           | Premer rezila  | Premer pilového kotúča                | Диаметър на острието  | Диаметр леза   | Bıçak çapı   | Διάμετρος λεπίδας  | 216 mm                       |
| Zubi pile                                     | Zobje rezila   | Zúbky čepele                          | Зъби на острието  | Зубці леза   | Bıçak dişleri  | Δόντια λεπίδας   | 48                           |
| Širina reza                                   | Širina rezanja   | Šírka rezu                            | Ширина на рязане  | Ширина різу  | Kesim genişliği  | Πλάτος κοπής   | 1,6 mm                       |
| Otvor za vratilo                              | Izvrtna vretena  | Otvor hriadeľa                        | Отвор на шпиндела   | Отвір валу   | Mil deliği   | Οπή άξονα  | 30 mm                        |
| Brzina bez opterećenja o/min (OKR/MIN)        | Hitrost brez obremenitve vrt./min (RPM)                    | Rýchlosť bez záťaže ot./min.          | Скорост на празен ход r/min. (RPM)  | Швидкість навантаження Об/хв. (Оборотів за хвилину)  | Bola hız d/dak. (DDS)  | Ταύτητα στ κεν r/min. (RPM)  | 3,200 +/-10%                 |
| Strömmsyning                                  | Matningsspänning   | Virrankulutus                         | Вход  | Вхідний  | Питание  | Input  | 18V                          |
| Sigurnosno staklo lasera                      | Varnostni razred laserja                                   | Bezpečnostná trieda lasera            | Клас на безопасност на лазера   | Клас безпеки лазеру  | Lazer emniyet sınıfı   | Κατηγορία ασφάλειας λέιζερ   | 2                            |
| Kapacitet rezanja                             | Zmogljivost rezanja  | Kapacita rezania                      | Капацитет на рязане   | Різувач здатність  | Kesim kapasitesi   | Κατόπτητα κοπής  |                              |
| Kutna pila 0° x nagib 0°                      | Zajera 0° x nagib 0°                                       | Sklon 0° x úkos 0°                    | Съединяване по ъгъл 0° x скосяване 0°   | Укіс 0° x конус 45°  | Gönye açısı 0° x Eğim açısı 0°   | Φαλτοσγωνία 0° x λοξοτομή 0°   | 70 mm x 270 mm               |
| Kutna pila 0° x nagib 45°                     | Zajera 0° x nagib 45°                                      | Sklon 0° x úkos 45°                   | Съединяване под ъгъл 0° x скосяване 45°   | Укіс 0° x конус 45°  | Gönye açısı 0° x Eğim açısı 45°  | Φαλτοσγωνία 0° x λοξοτομή 45°  | 48 mm x 270 mm               |
| Kutna pila 45°(lijevo) x nagib 0°             | Zajera 45°(levo) x nagib 0°                                | Sklon 0° (vľavo) x úkos 0°            | Съединяване по ъгъл 45° (ляво) x скосяване 0°   | Укіс 45°(απιωο) x конус 0°   | Gönye açısı 45°(Sol) x Eğim açısı 0°   | Φ α λ ι τ σ ο γ ω ν ι α 45°(Αριστερά) x λοξοτομή 0°  | 70 mm x 185 mm               |
| Kutna pila 45°(desno) x nagib 0°              | Zajera 45°(desno) x nagib 0°                               | Sklon 0° (vpravo) x úkos 0°           | Съединяване под ъгъл 45° (дясно) x скосяване 0°   | Укіс 45°(вправо) x конус 0°  | Gönye açısı 45°(Sağ) x Eğim açısı 0°   | Φαλτοσγωνία 45°(Δεξιά) x λοξοτομή 0°   | 70 mm x 185 mm               |
| Kutna pila 45°(lijevo) x nagib 45°            | Zajera 45°(levo) x nagib 45°                               | Sklon 45° (vľavo) x úkos 45°          | Съединяване по ъгъл 45° (ляво) x скосяване 45°  | Укіс 45°(απιωο) x конус 45°  | Gönye açısı 45°(Sol) x Eğim açısı 45°  | Φ α λ ι τ σ ο γ ω ν ι α 45°(Αριστερά) x λοξοτομή 45°   | 48 mm x 185 mm               |
| Kutna pila 45°(desno) x nagib 45°             | Zajera 45°(desno) x nagib 45°                              | Sklon 45° (vpravo) x úkos 45°         | Съединяване под ъгъл 45° (дясно) x скосяване 45°  | Укіс 45°(вправо) x конус 45°   | Gönye açısı 45°(Sağ) x Eğim açısı 45°  | Φαλτοσγωνία 45°(Δεξιά) x λοξοτομή 45°  | 48 mm x 185 mm               |
| Minimalna dimenzije radnog predmeta           | Minimalna izmere obdelovalnega kosa                        | Min. rozmery obrabku                  | Минимални размери на работния детайл  | Минималні розміри заготовки  | Minimum iş parçası boyutu  | Ελάχιστες διαστάσεις τεμαχίου  | 130 mm x 35 mm x 2,5 mm      |
| Mjerene vrijednosti određene su prema EN62841 | Izmerjene vrednosti določene v skladu s standardom EN62841 | Namerané hodnoty určené podľa EN62841 | Измерени стойности, определени в съответствие с EN 62841. Ниво на шумово налягане с равнище А | Вимірні значення шуму визначаються відповідно до EN 62841. А-зважений рівень звукового тиску     | EN62841 ile uyumlu olarak belirlenen ölçülen değerler A ağırlıklı ses basıncı seviyesi | Οι υπολογισμένες τιμές καθορίστηκαν σύμφωνα με το EN62841 Α-σταθμισμένο επίπεδο πίεσης ήχου  | L <sub>PA</sub> = 89,0 dB(A) |
| Ponderirana razina tlaka zvuka                | A-izmerjena raven zvočnega tlaka                           | Vážená A hladina akustického tlaku    |   |  |  |  |                              |
| Neodređenost K                                | Nedoloč. K   | Odhýľka K                             | Променливост (K)  | Невизначеність K   | Belirsizlik K  | Αβεβαιότητα K  | 3 dB                         |
| Mjerene vrijednosti određene su prema EN62841 | Izmerjene vrednosti določene v skladu s standardom EN62841 | Namerané hodnoty určené podľa EN62841 | Измерени стойности, определени в съответствие с EN 62841. Ниво на силата на шума с равнище А  | Вимірні значення шуму визначаються відповідно до EN 62841. А-зважений рівень звукової потужності | EN62841 ile uyumlu olarak belirlenen ölçülen değerler A ağırlıklı ses gücü seviyesi    | Οι υπολογισμένες τιμές καθορίστηκαν σύμφωνα με το EN62841 Α-σταθμισμένο επίπεδο έντασης ήχου | L <sub>WA</sub> = 99,0 dB(A) |
| Ponderirana razina zvučne snage               | A-izmerjena raven zvočne moči                              | Vážená A hladina akustického tlaku    |   |  |  |  |                              |
| Neodređenost K                                | Nedoloč. K   | Odhýľka K                             | Променливост (K)  | Невизначеність K   | Belirsizlik K  | Αβεβαιότητα K  | 3 dB                         |
| Zamjenja dijelova:                            | Nadomestni deli:   | Náhradné diely:                       | Смяна на части:   | Запасні частини:   | Yedek parçalar:  | Ανταλλακτικά:  |                              |
| List pile                                     | Rezilo žage  | Čepečí pilý                           | Острие  | Лезо пили  | Testere bıçağı   | Λεπίδα κόπτης  | 5132002620                   |
| Stolni umetak (ploča za propilak)             | Namizni vstavek (rezalna plošča)                           | Vložná stola (zárezová plošča)        | Вложка на масата (ploča с разрез)   | Вкладш у стіл(з прорізом)  | Tezgah eklentisi (kerti plakası)   | Ενθετο τραπέζιού (επιφάνεια γραμμής κοπής)   | 5131041273                   |
| Unutarja prirobnica                           | Notranja prirobnica  | Vnútorá príruaba                      | Вътрешен фланец   | Внутрішній фланець   | İç flanş   | Εσωτερική φλάντζα  | 5131041274                   |
| Vanjska prirobnica                            | Kolutna prirobnica   | Príruba disku                         | Външен фланец   | Зовнішній фланець  | Diş flanş  | Εξωτερική φλάντζα  | 5131041275                   |
| Vrećica za prašinu                            | Vrečka za prah   | Vrecko na prach                       | Торба за прах   | Мішок для пилу   | Toz torbası  | Σακούλα σκόνης   | 5131041276                   |
| Produžna šipka (lijeva i desna)               | Podaljševalna palica (levo in desno)                       | Prdlžňovacia tyč (ľavá a pravá)       | Изтегляща се шина (лява и дясна)  | Подожувач (вліво та вправо)  | Uzatma çubuğu (sol ve sağ)   | Μπάρα προέκτασης (δεξιά και αριστερά)  | 5131041277                   |





| English                                | Français                               | Deutsch   | Español                                    | Italiano                                  | Nederlands                            | Português                            |
|--|--|---|--|---|---------------------------------------|--------------------------------------|
| <b>Battery and charger</b>             | <b>Batterie et chargeur</b>            | <b>Akku und Ladegerät</b>                               | <b>Batería y cargador</b>                  | <b>Batteria e caricatore</b>              | <b>Accu en lader</b>                  | <b>Bateria e carregador</b>          |
| Compatible battery pack (not included) | Pack batterie compatible (non compris) | Kompatible Akkus (nicht im Lieferumfang enthalten)      | Packs de Batería compatibles (no incluido) | Gruppo batterie compatibili (non incluso) | Compatibel accupack (niet inbegrepen) | Baterias compatíveis (não incluída)  |
| Lithium-Ion                            | Lithium-Ion                            | Lithium-Ionen   | Ión-litio                                  | Ioni di litio                             | Lithium-ion                           | Ião-Lítio                            |
| Compatible charger (not included)      | Chargeur compatible (non compris)      | Kompatibles Ladegerät (nicht im Lieferumfang enthalten) | Cargador compatible (no incluido)          | Caricatore compatibile (non incluso)      | Compatibele oplader (niet inbegrepen) | Carregador compatível (não incluída) |

| Čeština                              | Magyar                                 | Română                             | Latviski                                    | Lietuviškai                                | Eesti                                    | Hrvatski   |
|--------------------------------------|--|------------------------------------|---|--|--|--|
| <b>Baterie a nabíječka</b>           | <b>Akkumulátor és töltő</b>            | <b>Baterie și încărcător</b>       | <b>Akumulators un lādētājs</b>              | <b>Baterija ir ikraviklis</b>              | <b>Aku ja laadija</b>                    | <b>Baterija i punjač</b>                         |
| Kompatibilni akumulátor (nepřibalen) | Kompatibilis akumulátor (nem tartozék) | Acumulatori compatibili (neinclus) | Saderīgu akumulātoru komplekts (nav kompl.) | Suderinamas baterijos paketas (nepriedama) | Ühilduvad akupaketid (ei ole komplektis) | Kompatibilno pakiranje baterija (nije uključeno) |
| Lithium iontový akumulátor           | Litiumion                              | Litiu-Ion                          | Litija-jonu                                 | Litis-jonas                                | Litiumioon                               | Litij-ion  |
| Kompatibilní nabíječka (nepřibalen)  | Kompatibilis töltő (nem tartozék)      | Încărcător compatibil (neinclus)   | Saderīgs lādētājs (nav kompl.)              | Tinkamas įkroviklis (nepriedama)           | Kasutatav laadija (ei ole komplektis)    | Kompatibilni punjač (nije uključeno)             |





| Dansk                                | Svenska                                   | Suomi                           | Norsk                                     | Русский  | Polski                                |   |
|--------------------------------------|---|---------------------------------|---|--|---------------------------------------|---|
| <b>Batteri og oplader</b>            | <b>Batteri och laddare</b>                | <b>Akku ja laturi</b>           | <b>Batteri og lader</b>                   | <b>Батарея и зарядное устройство</b>                               | <b>Akumulator i ładowarka</b>         |   |
| Kompatibelt batteri (medfølger ikke) | Kompatibelt batteripack (inte inkluderat) | Yhteensopiva akku (ei mukana)   | Kompatible batteripakker (ikke inkludert) | Совместимая аккумуляторная батарея (не входит в комплект поставки) | Pasujące akumulatory (nie dołączona)  |   |
| Lithium-ion                          | Litiumjon                                 | Litiumioni                      | Litium-Ion                                | Литий-ионная аккумуляторная батарея                                | Li-Ion                                | RB18L13<br>RB18L15<br>RB18L20<br>RB18L25<br>RB18L40<br>RB18L50                |
| Kompatibel oplader (medfølger ikke)  | Passande laddare (inte inkluderat)        | Yhteensopiva laturi (ei mukana) | Kompatibel lader (ikke inkludert)         | Совместимое зарядное устройство (не входит в комплект поставки)    | Odpowiednia ładowarka (nie dołączona) | BCS618<br>BCL14181H<br>BCL14183H<br>RC18150<br>RC18627<br>RC18120<br>RC18118C |

| Slovensko                         | Slovenčina   | България  | Українська мова                                    | Türkçe                              | Ελληνικά                                |   |
|-----------------------------------|--|---|--|-------------------------------------|---|---|
| <b>Baterija in polnilnik</b>      | <b>Akumulátor a nabíjačka</b>                                | <b>Батерия и зарядно устройство</b>                         | <b>Акумулятор і зарядний пристрій</b>              | <b>Batarya ve şarj aleti</b>        | <b>Μπαταρία και φορτιστής</b>           |   |
| Združljive baterije (ni priložen) | Kompatibilná jednotka akumulátorov (nie je súčasťou balenia) | Съвместима акумулаторна батерия (не е включена в комплекта) | Сумісний акумулатор (не входить в комплект)        | Uyumlu pil takımı (dahil değildir)  | Συμβατή μπαταρία (δεν περιλαμβάνεται)   |   |
| Litij-ionska                      | Litium-iónová  | Литиево-йонна   | Літій-іонний                                       | Lityum-lyon                         | Λιθίου-Ιόντων                           | RB18L13<br>RB18L15<br>RB18L20<br>RB18L25<br>RB18L40<br>RB18L50                |
| Združljiv polnilec (ni priložen)  | Kompatibilná nabíjačka (nie je súčasťou balenia)             | Съвместимо зарядно устройство (не е включено в комплекта)   | Сумісний зарядний пристрій (не входить в комплект) | Uyumlu şarj cihazı (dahil değildir) | Συμβατος φορτιστης (δεν περιλαμβάνεται) | BCS618<br>BCL14181H<br>BCL14183H<br>RC18150<br>RC18627<br>RC18120<br>RC18118C |



## EN RYOBI® WARRANTY APPLICATION CONDITIONS

In addition to any statutory rights resulting from the purchase, this product is covered by a warranty as stated below.

1. The warranty period is 24 months for consumers and commences on the date the product was purchased. This date has to be documented by an invoice or other proof of purchase. The product is designed and dedicated to consumer and private use only. So there is no warranty provided in case of professional or commercial use. This warranty applies only on new products.
2. There is a possibility to extend for a part of the range of power tools (AC/DC) the warranty period over the period described above using the registration on the [www.ryobitools.eu](http://www.ryobitools.eu) website. The eligibility of products for extended warranty is clearly displayed in stores and / or on packaging and is contained within the product documentation. The end user is required to register his/her newly-acquired products online within 30 days from the date of purchase. The end user may register for the extended warranty in his/her country of residence if listed on the online registration form where this option is valid. Furthermore, end users must give their consent to the storage of their personal data that is required to be entered online. They must also accept the terms and conditions. The registration confirmation receipt, which is sent out by e-mail, and the original invoice showing the date of purchase will serve as proof of the extended warranty.
3. The warranty covers all defects of the product during the warranty period due to faults in workmanship or material at the purchase date. The warranty is limited to repair and/or replacement and does not include any other obligations including but not limited to incidental or consequential damages. The warranty is not valid if the product has been misused, used contrary to the instruction manual, or has been incorrectly connected to a power supply. This warranty does not apply to:
  - any damage to the product that is the result of improper or lack of maintenance
  - any product that has been altered or modified
  - any product where original identification (trade mark, serial number) markings have been defaced, altered or removed
  - any damage caused by non-observance of the instruction manual
  - any product not displaying the CE approval mark on the rating plate
  - any product that has been attempted to be repaired by a non-authorized warranty service centre or without prior authorisation by Techtronic Industries
  - any product connected to improper power supply (amps, voltage, frequency)
  - any damage caused by external influences (water, chemical, physical, shocks) or foreign substances
  - normal wear and tear spare parts
  - inappropriate use, overloading of the tool
  - use of non-approved accessories or parts
  - Power tool accessories provided with the tool or purchased separately, including but not limited to screw driver bits, drill bits, abrasive discs, sand paper and blades, lateral guide, etc.
  - Components (parts and accessories) subject to natural wear and tear, including but not limited to service & maintenance kits, carbon brushes, bearings, chuck, SDS drill bit attachment or reception, power cord, auxiliary handle, transport carry case, sanding plate, dust bag, dust exhaust tube, felt washers, impact wrench pins & springs, etc.
4. For servicing, the product must be sent or presented to a RYOBI authorised service station listed for each country in the following list of service station addresses. In some countries your local RYOBI dealer undertakes to send the product to the RYOBI service organisation. When sending a product to a RYOBI service station, the product should be safely packed without any dangerous contents such as petrol, marked with sender's address and accompanied by a short description of the fault.
5. A repair / replacement under this warranty is free of charge. It does not constitute an extension or a new start of the warranty period. Exchanged parts or products become our property. In some countries delivery charges or postage will have to be paid by the sender. Your statutory rights arising from the purchase of the product remain unaffected.
6. This warranty is valid in the European Community, Switzerland, Iceland, Norway, Liechtenstein, Turkey and Russia. Outside these areas, please contact your authorised RYOBI dealer to determine if another warranty applies.

### AUTHORISED SERVICE CENTRE

To find an authorised service centre near you, visit <http://en.ryobitools.eu/header/service-and-support/service-agents>

## FR RYOBI® CONDITIONS D'APPLICATION DE LA GARANTIE

En plus des droits statutaires liés à l'achat, ce produit est couvert par une garantie telle que décrite ci-dessous.

1. La durée de la garantie accordée au consommateur est de 24 mois à partir de la date d'achat. Cette date doit être authentifiée par une facture ou toute autre preuve d'achat. Le produit a été conçu en vue d'une utilisation strictement privée. Aucune garantie ne s'applique donc en cas d'utilisation professionnelle ou commerciale.
2. Il existe pour une partie de la gamme d'outils électroportatifs (AC/DC), une possibilité d'étendre la période de garantie au-delà de la période précédemment décrite en utilisant le formulaire d'enregistrement présent sur le site Internet [www.ryobitools.eu](http://www.ryobitools.eu). L'éligibilité d'un outil est clairement affichée dans les points de vente et/ou sur l'emballage et la documentation. L'utilisateur final doit enregistrer son/ses outil(s) nouvellement acheté(s) en ligne dans les 30 jours qui suivent la date d'achat. L'utilisateur a la possibilité de s'enregistrer pour l'extension de garantie dans son pays de résidence si celui-ci est listé dans le formulaire d'enregistrement en ligne où cette option est valide. L'utilisateur final doit donner son consentement pour l'enregistrement des données requises pour accéder au site et doit accepter les termes et conditions. La confirmation d'enregistrement, envoyée par courrier électronique, ainsi que la facture originale mentionnant la date d'achat serviront de preuve de l'extension de garantie.
3. La garantie couvre pendant la période de garantie les défauts des produits liés à la fabrication et aux matériaux à la date d'achat. La garantie est limitée à la réparation et/ou au remplacement et n'inclut aucune autre obligation, tel que, mais sans s'y limiter, les dommages accessoires ou indirects. La garantie est non valable en cas de mauvaise utilisation du produit, d'utilisation contraire aux instructions du mode d'emploi, ou en cas de branchement incorrect. Cette garantie ne s'applique pas pour :
  - tout dommage au produit résultant d'un mauvais entretien
  - tout produit ayant été altéré ou modifié
  - tout produit dont les marquages originaux d'identification (marque, numéro de série) ont été dégradés, altérés ou retirés
  - tout dommage causé par le non-respect des instructions du mode d'emploi
  - tout produit non CE
  - tout produit ayant subi une tentative de réparation par du personnel non qualifié ou sans autorisation préalable de Techtronic Industries
  - tout produit raccordé à une alimentation secteur non conforme (ampérage, voltage, fréquence)
  - tout dommage causé par des influences extérieures (chimiques, physiques, chocs) ou par des substances étrangères
  - l'usure normale des pièces consommables
  - une utilisation inappropriée, une surcharge de l'outil
  - l'utilisation de pièces ou accessoires non agréés
  - accessoires de l'outil électrique fournis avec l'outil ou achetés séparément. Cela comprend notamment les embouts de vissage, les forets de perceuse, les disques abrasifs, le papier de verre et les lames, le guide latéral
  - Les composants (pièces et accessoires) sujets à l'usure naturelle, ceci incluant notamment les mandrins, les charbons, adaptateurs SDS, les cordons d'alimentation, les poignées auxiliaires, les mallettes de transport, les plateaux de ponçage, les sacs collecteurs de poussière, les tubes d'extraction de poussière, les carrés de clé à choc, etc.
4. Si le produit doit être réparé, envoyez-le à un service après-vente agréé RYOBI dont vous trouverez ci-dessous la liste pour chaque pays. Dans certains pays, votre revendeur RYOBI se chargera d'envoyer le produit à un centre de réparation RYOBI. Lorsque vous envoyez un produit à un service après-vente RYOBI, celui-ci doit être correctement emballé, sans contenir aucun produit dangereux tel que de l'essence, et vous devez indiquer votre adresse ainsi qu'une courte description du problème.
5. Une réparation / un remplacement sous garantie est gratuit(e). Ceci ne constituera pas une extension de garantie ni un nouveau départ de la période de garantie. Les pièces ou les outils remplacés deviennent notre propriété. Dans certains pays, les frais de port devront être assumés par l'expéditeur. Vos droits statutaires restent inchangés.
6. Cette garantie est valable au sein de l'Europe, de la Suisse, de l'Islande, de la Norvège, du Liechtenstein, de la Turquie, de la Russie. En dehors de ces zones, veuillez contacter votre distributeur agréé RYOBI pour déterminer si une autre garantie s'applique.

### SERVICE APRÈS-VENTE AGRÉÉ

Pour trouver le service après-vente agréé le plus proche, rendez-vous sur <http://fr.ryobitools.eu/header/service-and-support/service-agents>.



## DE RYOBI® GARANTIEBEDINGUNGEN

Zusätzlich zu den gesetzlichen Rechten aus dem Kauf gilt für dieses Produkt die nachstehend aufgeführte Garantie.

- Der Garantiezeitraum beträgt für Verbraucher 24 Monate und beginnt mit dem Datum des Kaufs. Dieses Datum muss durch eine Rechnung oder einen anderen Kaufbeleg dokumentiert werden. Dieses Produkt wurde ausschließlich zur privaten Nutzung durch Verbraucher entwickelt. Für den Fall einer professionellen bzw. kommerziellen Nutzung besteht daher keine Garantie.
- Es besteht die Möglichkeit, für einen Teil des Sortiments der Elektrogeräte (AC/CC) den Garantiezeitraum über den oben genannten Zeitraum hinaus zu verlängern, indem der Verbraucher die Registrierung auf der Website [www.ryobitools.eu](http://www.ryobitools.eu) durchführt. Die Berechtigung der Werkzeuge für die Garantieverlängerung ist deutlich im Geschäft und/oder auf der Verpackung beschrieben und in der Produktdokumentation erwähnt. Der Verbraucher muss das neu erworbene Gerät online innerhalb von 30 Tagen ab dem Kaufdatum registrieren. Der Verbraucher kann das Gerät zwecks Garantieverlängerung in seinem Wohnsitzland/Heimatland registrieren, wenn dieses Land auf dem Online-Registrierungsformular aufgeführt ist und die Option gültig ist. Darüber hinaus muss der Verbraucher seine Zustimmung zur Speicherung der Daten geben, die online eingegeben werden müssen, und er muss die allgemeinen Geschäftsbedingungen akzeptieren. Die Bestätigung der Registrierung, die per E-Mail versandt wird, und die Originalrechnung mit dem Kaufdatum gelten als Beleg für die Garantieverlängerung.
- Die Garantie deckt alle Defekte des Geräts während des Garantiezeitraums ab, die auf zum Zeitpunkt des Kaufs bestehende Verarbeitungs- oder Materialfehler zurückzuführen sind. Die Garantie beschränkt sich auf Reparatur und/oder Ersatz und beinhaltet keine anderen Verpflichtungen, insbesondere keinen Schadenersatz für Folge- oder Nebenschäden. Die Garantie gilt nicht, wenn das Gerät fehlerhaft eingesetzt wurde, gegenseitlich zur Bedienungsanleitung eingesetzt wurde oder falsch angeschlossen wurde. Die Garantie gilt nicht für Folgendes:
  - Schäden am Gerät, die auf unkorrekte Wartung zurückzuführen sind
  - Geräte, an denen Veränderungen vorgenommen wurden
  - Produkte, bei denen die ursprüngliche Identifizierung (Handelsmarke, Seriennummer) unleserlich gemacht, verändert oder entfernt wurde
  - Schäden durch Nichtbeachtung der Bedienungsanleitung
  - nicht-CE-zertifizierte Geräte
  - Geräte, an denen durch nicht-qualifizierte Personen oder ohne vorherige Genehmigung von Techtronic Industries Reparaturversuche vorgenommen wurden
  - Geräte, die an unkorrekte Energiequellen (Ampere, Volt, Frequenz) angeschlossen wurden
  - Schäden durch äußere Einflüsse (chemisch, physisch, Stöße) oder Fremdstoffe
  - normaler Verschleiß von Ersatzteilen
  - unangemessene Nutzung, Überlastung des Geräts
  - Nutzung nicht genehmigter Zubehörteile oder Ersatzteile
  - mit dem Gerät gelieferte oder separat erworbene Zubehörteile. Dieser Anschluss beinhaltet, ist aber nicht beschränkt auf Schraubendreher-Bits, Bohreinsätze, Schleifscheiben, Sandpapier und Klingen, Seitenführungen
  - Komponenten (Ersatzteile und Zubehörteile), die natürlichen und normalen Verschleißerscheinungen unterworfen sind, einschließlich aber nicht beschränkt auf: Service- und Wartungssätze, Kohlebürsten, Lager, Spannfutter, SDS-Bohreraufnahme /Bit-Adapter, Netz Kabel, Zusatzhandgriff, Transportkoffer, Schleifteller, Staubbeutel, Staubabsaugrohr, Filzunterlegscheiben, Bolzen und Federn von Schlagschraubern usw.
- Zum Service muss das Gerät zu einer von RYOBI autorisierten Servicestation gebracht oder dorthin gesendet werden. Die Servicestationen für die einzelnen Länder sind in der folgenden Liste aufgeführt. In einigen Ländern sendet Ihr RYOBI-Händler vor Ort das Gerät an das RYOBI-Serviceunternehmen. Beim Einsenden an die RYOBI-Servicestation sollte das Gerät sicher verpackt sein, ohne gefährliche Inhalte wie Benzin, und es sollte mit der Adresse des Absenders und einer kurzen Beschreibung des Fehlers versehen sein.
- Eine Reparatur bzw. ein Ersatz gemäß dieser Garantie ist kostenlos. Hieraus ergibt sich weder eine Garantieverlängerung noch der Beginn eines neuen Garantiezeitraums. Die ausgetauschten Ersatzteile oder Werkzeuge gehen in unser Eigentum über. In einigen Ländern müssen die Zustellgebühren oder die Versandkosten vom Absender gezahlt werden. Ihre gesetzlichen Rechte aus dem Kauf des Geräts bleiben hiervon unberührt.
- Diese Garantie gilt in der Europäischen Union, der Schweiz, Island, Norwegen, Liechtenstein, der Türkei und Russland. Bitte wenden Sie sich außerhalb dieser Gebiete an Ihren autorisierten RYOBI-Händler, um festzustellen, ob eine andere Garantie gilt.

### AUTORISIERTER KUNDENDIENST

Besuchen Sie <http://de.ryobitools.eu/header/service-and-support/service-agents>, um einen autorisierten Kundendienst in Ihrer Nähe zu finden.

## ES CONDICIONES DE APLICACIÓN DE LA GARANTÍA DE RYOBI®

Además de cualquier derecho legal derivado de la compra, este producto está cubierto por una garantía que se indica a continuación.

- El periodo de garantía es de 24 meses para consumidores y comienza a la fecha en que se compra el producto. Dicha fecha debe documentarse con una factura u otro comprobante de compra. El producto está diseñado y concebido únicamente para el uso privado del consumidor. Por lo tanto, no se ofrece garantía en caso de uso profesional o comercial.
- Existe la posibilidad de ampliar el periodo de garantía respecto a una parte de la gama de herramientas eléctricas (CA/CC) durante el periodo descrito más arriba y mediante el registro en el sitio web [www.ryobitools.eu](http://www.ryobitools.eu). La elegibilidad de las herramientas para que se amplíe el periodo de garantía se muestra claramente en las tiendas o en el embalaje y está incluida en la documentación del producto. El usuario final tiene que registrar en línea sus herramientas recientemente adquiridas en un plazo de 30 días a partir de la fecha de compra. El usuario final podrá registrarse para obtener la garantía ampliada en su país de residencia si este aparece en la lista del formulario de registro en línea cuando esta opción sea válida. Además, los usuarios finales deberán dar su consentimiento al almacenamiento de los datos necesarios para el acceso en línea y tienen que aceptar los términos y condiciones. El recibo de confirmación de registro, que se envía por correo electrónico, y la factura original que muestra la fecha de compra servirán como comprobante para la garantía ampliada.
- La garantía cubre todos los defectos del producto durante el periodo de garantía debido a fallos de mano de obra o material en la fecha de compra. La garantía se limita a la reparación o sustitución y no incluye ninguna otra obligación como, por ejemplo, daños accidentales o consecuentes. La garantía no es válida si se ha usado mal el producto, se ha usado contraviniendo el manual de instrucciones o se ha conectado de forma incorrecta. Esta garantía no es aplicable a:
  - ningún daño en el producto que sea consecuencia de un mantenimiento inadecuado
  - ningún producto que haya sido alterado o modificado
  - ningún producto en el que los marcados de identificación originales (marca comercial, número de serie) se hayan borrado, modificado o eliminado
  - ningún daño provocado por no seguir el manual de instrucciones
  - ningún producto que no sea CE
  - ningún producto que haya sufrido un intento de reparación por parte de un profesional no cualificado o sin la autorización previa de Techtronic Industries.
  - ningún producto conectado a un suministro eléctrico inadecuado (amperios, voltaje, frecuencia)
  - ningún daño causado por influencias externas (químicas, físicas, impactos) o sustancias extrañas
  - desgaste normal de piezas de repuesto
  - uso inadecuado, sobrecarga de la herramienta
  - uso de accesorios o piezas no aprobados
  - Accesorios de herramientas eléctricas proporcionados con la herramienta o comprados por separado. Tales exclusiones incluyen, entre otros, brocas de destornilladores, brocas de taladro, discos abrasivos, papel de lija y cuchillas, y guías laterales
  - Componentes (piezas y accesorios) sujetos a un desgaste natural, que incluyen, entre otros, equipos de servicio y mantenimiento, escobillas de carbono, cojinetes, pinzas, accesorio o recepción de broca de taladro SDS, cable eléctrico, manillar auxiliar, bolsa de transporte, hoja lijadora, bolsa de polvo, tubo de escape de polvo, disco de fieltro, pasadores y resortes de llave de impacto, etc.
- Para su mantenimiento, el producto debe enviarse o presentarse a una estación de servicio de RYOBI autorizada que figure en la siguiente lista de direcciones de estaciones de servicio por países. En algunos países, su distribuidor RYOBI local se responsabiliza de enviar el producto a la compañía de servicio de RYOBI. Cuando se envíe un producto a una estación de servicio de RYOBI, este debe estar empaquetado de forma segura sin contenidos peligrosos como gasolina, marcado con la dirección del remitente y acompañado de una breve descripción del fallo.
- Una reparación / sustitución con esta garantía es gratuita. No constituye una ampliación ni un nuevo comienzo del periodo de garantía. Las piezas o herramientas intercambiadas pasan a ser de nuestra propiedad. En algunos países, los gastos de envío o correo tendrán que pagarlos el remitente. Sus derechos legales derivados de esta compra de la herramienta no se verán afectados.
- Esta garantía es válida en la Unión Europea, Suiza, Islandia, Noruega, Liechtenstein, Turquía y Rusia. Fuera de estas zonas, póngase en contacto con su distribuidor de RYOBI autorizado para determinar si es aplicable otra garantía.

### SERVICIO TÉCNICO AUTORIZADO

Para encontrar el servicio técnico autorizado más cercano, visite <http://es.ryobitools.eu/header/service-and-support/service-agents>

## IT CONDIZIONI DI VALIDITÀ DELLA GARANZIA RYOBI®

In aggiunta ai diritti di legge risultanti dall'acquisto, il prodotto è coperto dalla garanzia sotto descritta.

- Il periodo di garanzia è di 24 mesi per i consumatori, a decorrere dalla data di acquisto del prodotto. La data deve essere documentata da una fattura o altra prova d'acquisto. Il prodotto è progettato e destinato solo all'utilizzo privato dei consumatori. Pertanto non viene fornita alcuna garanzia in caso di uso professionale o commerciale.
- Per una serie di utensili elettrici (CA/CC) è possibile prolungare il periodo di garanzia oltre quello descritto, registrandosi sul sito web [www.ryobitools.eu](http://www.ryobitools.eu). Gli utensili per i quali è possibile prolungare il periodo di garanzia sono chiaramente indicati nei negozi e/o sulle confezioni e nella documentazione dei prodotti. L'utente deve registrare online l'utensile acquistato entro 30 giorni dalla data di acquisto. L'utente può registrarsi per la garanzia prolungata nel proprio paese di residenza, se questo è elencato nel modulo di registrazione online dove questa opzione sia valida. Inoltre gli utenti devono fornire il proprio consenso alla conservazione dei dati da immettere online e devono accettare le condizioni generali. La conferma di registrazione, inviata tramite e-mail, e la fattura originale indicante la data di acquisto, costituiranno la prova della garanzia prolungata.
- La garanzia copre tutti i difetti del prodotto durante il periodo di garanzia, risultati da manodopera o materiali alla data di acquisto. La garanzia è limitata alla riparazione e/o sostituzione e non include alcun altro obbligo quali, a mero titolo esemplificativo, i danni incidentali o consequenziali. La garanzia non è valida se il prodotto è stato usato scorrettamente, in modo contrario al manuale di istruzioni o se è stato collegato in modo errato. La garanzia non è valida per:
  - qualsiasi danno al prodotto dovuto a manutenzione errata;
  - qualsiasi prodotto che sia stato alterato o modificato;
  - qualsiasi prodotto le cui marcature di identificazione originali (marchi di fabbrica, numero di serie) siano state cancellate, alterate o rimosse;
  - qualsiasi danno causato dalla non osservanza delle istruzioni del manuale;
  - qualsiasi prodotto privo di omologazione CE;
  - qualsiasi prodotto che sia stato sottoposto a un tentativo di riparazione da parte di un professionista non qualificato oppure senza la previa autorizzazione di Techtronic Industries;
  - qualsiasi prodotto collegato a un'alimentazione errata (per ampere, tensione, frequenza);
  - qualsiasi danno causato da influenze esterne (chimiche, fisiche, urti) o sostanze estranee;
  - la normale usura delle parti di ricambio;
  - uso inappropriato, sovraccarico dell'utensile;
  - uso di accessori o parti non omologate;
  - accessori per utensili elettrici forniti con l'utensile o acquistati separatamente. Questa esclusione comprende, a mero titolo esemplificativo, punte per cacciaviti, punte per trapani, dischi abrasivi, carta vetrata, lame e guide laterali;
  - componenti (parti e accessori) soggetti alla normale usura compresi, a mero titolo esemplificativo, kit di servizio e manutenzione, spazzole al carbonio, cuscinetti, mandrini, attacchi per punte a vite autopoterforante, cavi di alimentazione, maniglie ausiliarie, custodie di trasporto, piastre di levigatura, sacchetti per la polvere, tubi di scarico della polvere, rondelle di feltro, perni e molle per avvitatori ecc.
- Per la manutenzione il prodotto dev'essere spedito o portato presso uno dei centri assistenza autorizzati RYOBI elencati per ogni paese nel seguente elenco di indirizzi dei centri. In alcuni paesi il rivenditore locale RYOBI si incarica di inviare il prodotto all'organizzazione di assistenza RYOBI. Quando si invia un prodotto a un centro assistenza RYOBI, imballarlo in modo sicuro senza contenuti pericolosi come la benzina, apporre l'indirizzo del mittente e accompagnarlo da una breve descrizione del guasto.
- La riparazione/sostituzione ai sensi della presente garanzia è gratuita. Non costituisce un prolungamento o un nuovo inizio del periodo di garanzia. Le parti o gli utensili scambiati diventano di nostra proprietà. In alcuni paesi i costi di consegna o di spedizione postale devono essere pagati dal mittente. I diritti di legge derivanti dall'acquisto dell'utensile rimangono inalterati.
- La presente garanzia è valida in Unione Europea, Svizzera, Islanda, Norvegia, Liechtenstein, Turchia e Russia. Al di fuori di tali aree contattare il rivenditore autorizzato RYOBI per sapere se è valida un'altra garanzia.

### CENTRO SERVIZI AUTORIZZATO

Per individuare il più vicino centro servizi autorizzato, visitare il sito <http://it.ryobitools.eu/header/service-and-support/service-agents>.

## NL RYOBI® GARANTIEVOORWAARDEN

Naast de wettelijke rechten die voortvloeien uit de aankoop, wordt dit product gedekt door een garantie, zoals hieronder staat vermeld.

- De garantietermijn voor consumenten bedraagt 24 maanden en gaat in op de datum waarop het product is gekocht. Deze datum moet worden gedocumenteerd met een factuur of een ander aankoopbewijs. Het product is uitsluitend ontworpen en bedoeld voor persoonlijk gebruik door consumenten. Er wordt dus geen garantie gegeven voor professioneel of commercieel gebruik.
- Voor een deel van ons aanbod van elektrische gereedschappen (AC/DC) is het mogelijk om de garantietermijn te verlengen over de boven beschreven termijn, met behulp van de website [www.ryobitools.eu](http://www.ryobitools.eu). De gereedschappen die in aanmerking komen voor de verlenging van de garantietermijn wordt duidelijk weergegeven in winkels en/of verpakkingen en staat beschreven in de productdocumentatie. De eindgebruiker moet zijn/haar nieuw gekochte gereedschappen binnen 30 dagen na aankoop online registreren. De eindgebruiker kan zich registreren voor de verlengde garantietermijn als zijn woonland staat vermeld op het online registratieformulier waar deze optie geldt is. Bovendien moeten eindgebruikers toestemming geven voor de opslag van de gegevens die online ingevuld moeten worden en moeten ze de algemene voorwaarden accepteren. Het ontvangstbewijs van de registratie, dat per e-mail wordt verzonden en de oorspronkelijke factuur met de aankoopdatum vormt het bewijs van de verlengde garantietermijn.
- De garantie dekt tijdens de garantietermijn alle gebreken van het product vanwege defecten in vakmanschap of materiaal op de aankoopdatum. De garantie is beperkt tot reparatie en/of vervanging en bevat geen andere verplichtingen, waaronder maar niet beperkt tot incidentele of gevolgschade. De garantie is niet geldig als het product is misbruikt, in strijd met de gebruiksaanwijzing wordt gebruikt of onjuist is aangesloten. Deze garantie geldt niet voor:
  - alle schade aan het product die het gevolg is van onjuist onderhoud
  - elk product dat is veranderd of aangepast
  - elk product waar de oorspronkelijke identificatie (handelsmerk, serienummer) is beschadigd, gewijzigd of verwijderd
  - alle schade die is veroorzaakt door het niet opvolgen van de gebruiksaanwijzing
  - elk niet-CE-product
  - elk product waar een poging tot reparatie is gedaan door een niet-erkende professional of zonder voorafgaande toestemming door Techtronic Industries.
  - elk product dat is verbonden met een verkeerde voeding (amperage, spanning, frequentie)
  - alle schade die is veroorzaakt door externe invloeden (chemisch, fysisch, schokken) of vreemde stoffen
  - normale slijtage van reserveonderdelen
  - ongepast gebruik, overbelasting van het gereedschap
  - gebruik van niet-goedgekeurde accessoires of onderdelen
  - gereedschapsaccessoires die bij het gereedschap worden geleverd of afzonderlijk zijn aangeschaft. Zulke uitzonderingen bevatten, maar niet beperkt tot schroevendraaierbits, boorbits, slijpschijven, schuurpapier en zagen, laterale geleiding
  - Componenten (onderdelen en accessoires) die onderhevig zijn aan natuurlijke slijtage, waaronder maar niet beperkt tot service-onderhoudsets, koolstofborstels, laggers, boorkoppen, SDS boorbitbevestigingen of ontvangers, stroomsoeren, hulpprepen, transporttassen, schuurplateaus, stofzakken, stofafvoerbuizen, viltringen, pennen en veren van slagmoerleutels, etc.
- Voor onderhoud moet het product worden verzonden of gebracht naar een erkend servicecentrum van RYOBI die voor elk land staan vermeld in de volgende lijst met adressen voor servicecentra. In sommige landen zal uw lokale RYOBI-dealer het product verzenden naar de RYOBI-serviceorganisatie. Wanneer u het product naar een servicecentrum van RYOBI verzendt, moet het product veilig worden verpakt zonder enige gevaarlijke inhoud, zoals benzine, met het adres van de afzender en vergezeld van een korte beschrijving van het defect.
- Een reparatie/vervanging die onder deze garantie valt is gratis. Het vormt geen verlenging of een nieuwe start van de garantietermijn. Verwisselde onderdelen of gereedschappen worden ons eigendom. In sommige landen moeten de verzendkosten door de afzender worden betaald. Uw wettelijke rechten die voortvloeien uit de aankoop van het gereedschap blijven onaangetast.
- Deze garantie is geldig in de Europese Gemeenschap, Zwitserland, IJsland, Noorwegen, Liechtenstein, Turkije en Rusland. Buiten deze gebieden moet u contact opnemen met uw erkende RYOBI-dealer om vast te stellen of er een andere garantie van toepassing is.

### GEAUTORISEERD ONDERHOUDSCENTRUM

Om een geautoriseerd onderhoudscentrum in uw buurt te vinden, surf u naar <http://nl.ryobitools.eu/header/service-and-support/service-agents>.

## PT CONDIÇÕES DE APLICAÇÃO DA GARANTIA RYOBI®

Para além de quaisquer direitos previstos por lei resultantes da compra, este produto está coberto por uma garantia conforme descrição abaixo.

1. O período da garantia é de 24 meses para consumidores particulares e inicia-se na data de compra do produto. Esta data tem de ser documentada por uma factura ou por outra prova de compra. O produto foi concebido para e destina-se apenas a consumidores particulares e uso privado. Assim, não é dada garantia em caso de utilização por profissionais ou uso comercial.
2. Para uma parte da gama de ferramentas eléctricas (AC/DC) existe a possibilidade de prolongamento do período da garantia para além do período descrito acima, mediante registo no Web site [www.ryobitools.eu](http://www.ryobitools.eu). A elegibilidade das ferramentas para prolongamento do período da garantia é claramente visível nas lojas e/ou nas embalagens e está contida na documentação do produto. O utilizador final tem de fazer o registo online das suas ferramentas recém-adquiridas no prazo de 30 dias após a data de compra. O utilizador final pode fazer o registo para prolongamento da garantia no seu país de residência, desde que esteja listado no formulário de registo online e para os casos em que esta opção seja válida. Para além disso, os utilizadores finais têm de autorizar o armazenamento dos dados cujo preenchimento lhes for solicitado online e têm de aceitar os termos e as condições. O recibo de confirmação do registo é enviado por e-mail e, em conjunto com a factura original ostentando a data de compra, servirá de prova do prolongamento da garantia.
3. A garantia cobre todos os defeitos do produto durante o período da garantia devidos a defeitos de fabrico ou de material à data da compra. A garantia está limitada à reparação e/ou substituição e não inclui quaisquer outras obrigações, incluindo mas não se limitando a, perdas complementares ou indirectas. A garantia não é válida se o produto tiver sido utilizado incorrectamente, utilizado de forma contrária ao Manual de Instruções ou se as respectivas ligações tiverem sido feitas incorrectamente. Esta garantia não se aplica ao seguinte:
  - quaisquer danos ao produto que sejam resultado de manutenção incorrecta
  - qualquer produto que tenha sido alterado ou modificado
  - qualquer produto cujas marcações de identificação de origem (marca comercial, número de série) tiverem sido apagadas, alteradas ou retradas
  - quaisquer danos causados pelo incumprimento do Manual de Instruções
  - qualquer produto que não seja da Comunidade Europeia
  - qualquer produto ao qual tenha sido feita, ou tentada fazer, uma reparação por outra pessoa que não um profissional habilitado ou sem autorização prévia da Techtronic Industries.
  - qualquer produto ligado a uma fonte de alimentação eléctrica incorrecta (Amperes, Voltagem e Frequência)
  - qualquer dano causado por influências externas (químicas, físicas, impactos) ou substâncias estranhas
  - desgaste e degradação normal de sobresselentes
  - utilização incorrecta, sobrecarga da ferramenta
  - utilização de acessórios ou peças não aprovados
  - acessórios para ferramentas eléctricas fornecidos com a ferramenta ou comprados em separado. Estas exclusões incluem mas não se limitam a, pontas de aparafusadora, brocas, discos abrasivos, papel de lixa e lâminas, guia lateral
  - Componentes (peças e acessórios) sujeitos a desgaste e degradação natural, incluindo mas não se limitando a, Kits de Assistência e Manutenção, escovas de carvão, rolos, bucha, acessórios ou recepções de brocas SDS, cabos eléctricos, peças auxiliares, estojos de transporte, placas de lixagem, sacos de poeiras, tubos de saída de poeiras, anilhas de feltro, pinos e molas da aparafusadora de impacto, etc.
4. Para assistência, o produto tem de ser enviado para, ou apresentado em, um posto de assistência autorizado RYOBI, conforme listado para cada país na lista de moradas de postos de assistência seguinte. Nalguns países, o seu concessionário RYOBI local encarrega-se de enviar o produto para a organização de assistência RYOBI. Quando enviar um produto para um posto de assistência RYOBI, o produto deve ser embalado de forma segura, sem conter nenhuns conteúdos perigosos (por exemplo, gasolina), marcado com o endereço do remetente e acompanhado por uma breve descrição da avaria.
5. Uma reparação/substituição ao abrigo desta garantia é gratuita. Não constitui um prolongamento a, nem um novo início de, o período da garantia. As peças ou ferramentas substituídas tornam-se propriedade nossa. Nalguns países, o remetente terá de pagar os custos de entrega ou a remessa postal. Os seus direitos previstos por lei resultantes da compra da ferramenta mantêm-se inalterados
6. Esta garantia é válida na Comunidade Europeia, Suíça, Islândia, Noruega, Liechtenstein, Turquia e Rússia. Fora destas áreas, entre em contacto com o seu concessionário autorizado RYOBI para determinar se existe outra garantia aplicável.

### CENTRO DE ASSISTÊNCIA AUTORIZADO

Para encontrar um centro de assistência autorizado próximo de si, visite <http://pt.ryobitools.eu/header/service-and-support/service-agents>.

## DA RYOBI® BETINGELSER FOR GARANTI

Udover lovbestemte rettigheder, som resulterer af købet, er dette produkt dækket af en garanti, som anført herunder.

1. Garantiperioden er 24 måneder for forbrugere og begynder på den dato, som produktet blev købt. Denne dato skal dokumenteres af en faktura eller andet bevis for køb. Produktet er udelukkende designet og dedikeret til forbrugere og privat brug. Så der ydes ingen garanti i tilfælde af professionel eller kommerciel brug.
2. Der er en mulighed for at forlænge garantiperioden for en del af udvalget af elværktøj (AC/DC), hen over den ovenfor beskrivne periode vha. registrering på hjemmesiden [www.ryobitools.eu](http://www.ryobitools.eu). Bortsettelse af værktøjet til forlængelse af garantiperioden er tydeligt vist i butikker og/eller på emballage/og indeholdt i produktokumentationen. Slutbrugeren skal registrere hans/hendes nyligt indkøbte værktøj online indenfor 30 dage efter købsdatoen. Slutbrugeren kan registrere sig for den forlængede garanti i sit land, hvis han/hun er opført på den online registreringsformular, hvor denne mulighed er gyldig. Derudover skal slutbrugere give deres samtykke til at opbevare data, som er påkrævet at indstude online, og de er nødt til at acceptere vilkår og betingelser. Registreringsbekræftelseskvitteringen, som sendes ud på e-mail, og den originale faktura, som viser købsdatoen, vil fungere som bevis for den forlængede garanti.
3. Garantien dækker alle defekter, som et produkt måtte have i løbet af garantiperioden, og som skyldes produktionsfejl eller materialefejl på købsdatoen. Garantien er begrænset til reparation og/eller udskiftning og inkluderer ikke andre forpligtelser, inklusiv men ikke begrænset til tilfældige skader eller følgeskader. Garantien er ugyldig, hvis produktet er blevet misbrugt, brugt uden at overholde vejledningen, eller det er blevet forkert tilsuttet. Denne garanti gælder ikke:
  - Beskadigelse af produktet, som er et resultat af uegnet vedligeholdelse
  - Et produkt der er blevet ændret eller modificeret
  - Et produkt hvor de originale identifikationsmærkninger (varemærke, serienummer) er blevet ødelagt, ændret eller fjernet.
  - Enhver beskadigelse forårsaget af manglende overholdelse af vejledningen
  - Ethvert ikke CE-produkt
  - Ethvert produkt som er blevet forsøgt repareret af en ukvalificeret professionel eller uden tidligere autorisation af Techtronic Industries.
  - Ethvert produkt som er tilsuttet ugent strømforsyning (ampere, spænding, frekvens)
  - Enhver skade forårsaget af ekstern påvirkning (kemisk, fysisk, chok) eller fremmedelementer
  - Normal slid på reservedele
  - Uegnet brug, overbelastning af værktøjet
  - Brug af ikke-godkendt tilbehør eller dele
  - Elværktøjstilbehør som leveres med værktøjet eller købes separat. Sådanne udtagelser inkluderer men er ikke begrænset til skruetrækkerbits, bor, bits, slibeskiver, sandpapir og klinger, sidestyre
  - Komponenter (dele og tilbehør) som er udsat for naturligt slid og ælde, inklusiv men ikke begrænset til Service- og vedligeholdelsessæt, kulbrøster, lejer, bøsninger, påsætning eller modtagelse af SDS-bor, El ledning, hjælpehåndtag, transporttaske, sandplade, støvpose, støvdudstødningslange, filtskiver, nåle og fjedre slagngøle etc.
4. For eftersyn skal produktet sendes til eller præsenteres for en RYOBI-autoriseret service værksted, som er opført for hvert land i den følgende liste over service værksted adresser. I nogle lande påtager din lokale RYOBI-forhandler sig ansvaret for at sende produktet til RYOBI-serviceorganisationen. Når et produkt sendes til en RYOBI-service værksted, skal det pakkes sikkert ind uden noget farligt indhold som benzin, mærkes med afsenderens adresse og med en kort beskrivelse af fejlen.
5. En reparation/erstatning under denne garanti er gratis. Den udgør ikke en forlængelse eller en ny start på garantiperioden. Udvekslede dele eller værktøjer bliver vores ejendom. I nogle lande skal leveringsafgifter eller porto betales af afsenderen. Dine lovbestemte rettigheder i forbindelse med købet forbliver uanfægtede
6. Denne garanti gælder i EU, Schweiz, Island, Norge, Liechtenstein, Tyrkiet og Rusland. Udenfor disse områder bedes du kontakte din autoriserede RYOBI-forhandler for at afgøre, om en anden garanti gælder.

### AUTORISERED SERVICE/VÆRKSTEDER

Find nærmeste autoriserede serviceværksted på <http://dk.ryobitools.eu/header/service-and-support/service-agents>.

## SV RYOBI® ANVÄNDNINGSVILLKOR FÖR GARANTI

Förutom eventuella lagstadgade rättigheter som uppstår genom köpet, täcks den här produkten av en garanti som anges nedan.

- Garantiperioden är 24 månader för konsumenter och börjar gälla från det datum då produkten köptes. Detta datum måste dokumenteras på en faktura eller annat köpbevis. Produkten är utformad och avsedd för konsumenter och privat bruk. Därmed tillhandahålls ingen garanti vid yrkesmässigt eller kommersiellt bruk.
- Det finns möjlighet att förlänga garantiperioden för en del av utbudet för elverktyg (AC/DC) under den period som anges ovan genom att använda registreringen på webbplatsen [www.ryobitools.eu](http://www.ryobitools.eu). De verktyg som är berättigade till en förlängning av garantiperioden visas tydligt i butiker och/eller på förpackningen/och anges i produktdokumentationen. Slut användaren behöver registrera hans/hennes nyförvävade verktyg online inom 30 dagar från köpdatumet. Slut användaren kan registrera sig för den förlängda garantin i det land där han/hon bor om landet finns angivet i registreringsformuläret online och där detta alternativ är giltigt. Dessutom måste slut användaren ge sitt medgivande till lagring av data vilket krävs vid registrering online samt acceptera villkoren. Bekräftelsekvittot för registreringen som skickas ut via e-post och originalfakturan som visas köpdatumet kommer att gälla som bevis för den förlängda garantin.
- Garantin täcker alla produktdefekter under garantiperioden som beror på brister i utförande eller material vid köpdatumet. Garantin är begränsad gällande reparation och/eller utbyte och inkluderar inte några skyldigheter inklusive men inte begränsat till oförutsedda skador eller följskador. Garantin är inte giltig om produkten har missbrukats, använts i strid med bruksanvisningen eller inte anslutits på rätt sätt. Denna garanti täcker inte:
  - eventuella skador på produkten som uppstått till följd av felaktigt underhåll
  - produkter som har ändrats eller modifierats
  - produkter där ursprungliga identifieringsmärken (varumärke, serienummer) har målats över, ändrats eller tagits bort
  - eventuella skador som uppstått till följd av att bruksanvisningen inte efterföljts
  - alla icke CE-produkter
  - eventuella produkter som har försökt repareras av en icke-kvalificerad yrkesman eller utan föregående medgivande från Technronic Industries.
  - eventuella produkter som anslutits till felaktig strömförsörjning (ampere, volt, frekvens)
  - eventuella skador som uppstått till följd av yttre påverkan (kemisk, fysisk, stöt) eller främmande ämnen
  - normalt slitage av reservdelar
  - olämplig användning, överbelastning av verktyget
  - användningen av icke-godkända tillbehör eller delar
  - tillbehör till elverktyg som medföljde verktyget eller köpts separat. Sådana undantag inkluderar men är inte begränsat till skruvmejselbits, borrbits, slipskivor, sandpapper, blad och sidoskena
  - Komponenter (delar och tillbehör) är föremål för naturligt slitage, inklusive men inte begränsat till service- och underhållsatsar, kolborstar, kullager, chuck, tillbehör eller tillhörande SDS-borrbitt, strömsladd, hjälphandtag, transportväska, slipplatta, damppåse, dammutblåsör, filterbrickor, stift och fjädrar till mutterdragare osv.
- Vid service måste produkten skickas eller uppvisas för en RYOBI- auktoriserad servicestation som står angiven för varje land i följande adresslista över servicestationer. I vissa länder tar den lokala RYOBI- återförsäljare på sig ansvaret att skicka produkten till RYOBI- serviceorganisationen. När en produkt skickas till en RYOBI- servicestation, ska produkten paketeras säkert utan något farligt innehåll såsom bensin, markeras med avsändarens adress samt en kort beskrivning av felet.
- En reparation/ett utbyte under denna garanti är kostnadsfri. Det utgör inte en förlängning eller förnyelse av garantiperioden. Utbyta delar eller verktyg blir vår egendom. I vissa länder måste leveranskostnader eller porto betalas av avsändaren. Dina lagstadgade rättigheter som härrör från köpet av verktyget förblir opåverkade
- Denna garanti är giltig i Europeiska gemenskapen: Schweiz, Island, Norge, Liechtenstein, Turkiet och Ryssland. Utanför dessa länder, kontakta din auktoriserade RYOBI-återförsäljare för att avgöra om en annan garanti gäller.

### AUKTORISERAT SERVICECENTER

Du hittar närmaste auktoriserade servicecenter genom att gå till <http://se.ryobitools.eu/header/service-and-support/service-agents>.

## FI RYOBI®-TAKUUN SOVELTAMISEHDOT

Tällä tuotteella on oston luomien lakisääteisten oikeuksien ohella alla mainitun mukainen takuu.

- Takuun kesto on kuluttajille 24 kuukautta ja takuuaika alkaa tuotteen ostohetkestä. Tämän päivämäärän tulee lukea laskussa tai muussa ostotositteessa. Tuote on suunniteltu ja tarkoitettu vain kuluttajien ja yksityiseen käyttöön. Takuu ei siis kata ammatti- eikä kaupallista käyttöä.
- Joidenkin sähkötyökalujen (AC/DC) takuun kesto on mahdollista laajentaa yllä mainittua kestoä pidemmäksi verkkosivuston [www.ryobitools.eu](http://www.ryobitools.eu) rekisteröinnin kautta. Työkalujen kelppisuus takuujakson laajennukseen näkyy selkeästi myymälöissä ja/tai pakkauksissa ja/ tai tämä tieto sisältyy tuotedokumentaation. Loppukäyttäjän täytyy rekisteröidä vasta hankitut työkalut internetissä 30 päivän kuluessa ostopäivämäärästä. Loppukäyttäjää voi rekisteröidä laajennetun takuun kotimaassaan, jos se on luetteluna online-rekisteröintilomakkeessa, jossa mainitaan, missä tämä vaihtoehto on voimassa. Loppukäyttäjien täytyy lisäksi hyväksyä tietojen tallennus, jotka heidän täytyy antaa online-tilassa sekä ehdot. Rekisteröinnin vahvistuskuitti, joka lähetetään sähköpostitse, ja alkuperäinen ostopäivämäärän ilmaiseva lasku toimivat laajennetun takuun toisteina.
- Takuu kattaa kaikki tuotteeseen takuuaikana tulevat viat, joiden aiheuttajina ovat tuotteessa ostopäivän olleet valmistus- tai materiaali- viat. Takuu on rajoitettu korjaukseen ja/tai vaihtoon eikä se sisällä mitään mualla velvoitteita mukaan lukien satunnais- ja seuranaisvahinkoja, mutta rajoittumatta niihin. Takuu ei päde, jos tuotetta on käyretty väärin, käyttöohjeen vastaisesti tai jos se on liitetty virheellisesti. Tämä takuu ei kata:
  - virheellisestä huollosta johtuvia vaurioita
  - muunnettua tai muutettua tuotetta
  - tuotetta, jonka alkuperäiset tunnistemerkinnot (tavaramerkki, sarjanumero) on turmeltu, muutettu tai poistettu
  - tämän käyttöoppaan laiminlyönnistä johtuvia vaurioita
  - ei-CE-tuotetta
  - tuotetta, jota on yrittänyt korjata epäpätevä ammattilainen tai joka on korjattu ilman Technronic Industriesin emakkoluopaa.
  - tuotetta, joka on liitetty virheelliseen tehohäviönsäeseen (ampeirit, jännite, taajuus)
  - ulkoisten vaikutusten (kemiallinen, fyysinen, iskut) tai vieraiden aineiden aiheuttamaa vauriota
  - normaaleja kuluvia varaosia
  - virheellistä käyttöä, työkalun ylikuormitusta
  - ei-hyväksytyjen tarvikkeiden tai osien käyttöä
  - sähkötyökalun tarvikkeita, jotka on toimitettu työkalun mukana tai ostettu erikseen. Poissuljettuja osia ovat ruuvausterät, poranterät, hiomalaikat, hiekkapaperi ja terät, sivuohjain, näihin kuitenkin rajoittumatta
  - Luonnollisesti kuluvia komponentteja (osia tai tarvikkeita), joihin sisältyvät huolto- ja kunnossapotoset, hiiliharjat, laakerit, terästäukat, SDS-porien kiinnitin tai istukka, virtajohto, apukahva, kuljetuskotelo, hiomalaikka, pölypussi, pölynpoistoputki, huopatiivisteet, iskunvääntimen pultit ja jouset yms. näihin kuitenkin rajoittumatta.
- Tuote on lähetettävä huollettavaksi valtuutettuun RYOBI-huoltoon tai näytettävä siellä. Niiden osoitteet kussakin maassa löytyvät seuraavasta luettelosta. Joissakin maissa paikallinen RYOBI-jälleenmyyjä huolehtii tuotteen lähetyksestä RYOBI-huolto-organisaatioon. Kun tuote lähetetään RYOBI-huoltoon, se täytyy pakata hyvin ilman vaarallisia aineita, kuten polttoainetta, ja pakkaukseen täytyy merkitä lähettäjän nimi sekä vain lyhyt kuvaus.
- Takuun kattama korjaus/vaihto on maksuton. Se ei tarkoita takuuaajan laajennusta tai alkamista alusta. Vaihdetut osat tai työkalut siirtyvät valmistajan omistukseen. Joissakin maissa lähettäjän täytyy maksaa lähetyuskustannukset tai postikulut. Työkalun oston luomat lakisääteiset oikeudet pysyvät koskemattomina
- Tämä takuu on voimassa Euroopan yhteisössä, Sveitsissä, Islannissa, Norjassa, Liechtensteinissä, Turkissa ja Venäjällä. Ota näiden alueiden ulkopuolella yhteyttä omaan valtuutettuun RYOBI-jälleenmyyjään ja selvitä, onko jotain muuta takuuta.

### VALTUUTETTU HUOLTO

Voit etsiä lähimmän valtuutetun huollon sivulta <http://fi.ryobitools.eu/header/service-and-support/service-agents>.

## NO RYOBI® GARANTIBETINGELSER

I tillegg til eventuelle lovbestemte rettigheter som følger av kjøpet, er dette produktet dekket av en garanti som angitt nedenfor.

- Garantiperioden er 24 måneder for konsumenter og gjelder fra den datoen som produktet ble kjøpt. Denne datoen skal dokumenteres med en faktura eller annet kjøpsbevis. Produktet er designet og beregnet kun til konsument- og privat bruk. Så det gis ingen garanti ved profesjonell eller kommersiell bruk.
- For en del av utvalget av elektriske verktøy (AC/DC) er det mulighet til å utvide garantiperioden i den perioden som er beskrevet ovenfor ved bruk av registreringer på nettsidene [www.ryobitools.eu](http://www.ryobitools.eu). Kvalifisering av verktøyene for en utvidelse av garantiperioden er tydelig vist i butikker og/eller på pakningen / og finnes innen produktdokumentasjonen. Sluttbrukeren må registrere sine nylig anskaffede verktøy online innen 30 dager etter kjøpsdato. Sluttbrukeren kan registrere seg for den utvidede garantien i sitt land hvis det er opplistet på online registreringsskjemaet der dette alternativet er gyldig. Videre må sluttbrukere gi sitt samtykke til oppbevaring av dataene som kreves for å gå online, og de må godta vilkår og betingelser. Registreringsbekreftelsen, som sendes ut på e-post, og den originale fakturaen som viser kjøpsdato, vil tjene som bevis for den utvidede garantien.
- Garantien dekker alle defekter i produktet under garantiperioden på grunn av defekter i utførelse eller materiale på kjøpsdato. Garantien er begrenset til å reparere og/eller erstatte og inkluderer ikke noen andre forpliktelser, inkludert, men ikke begrenset til, tilfældige eller følgesmessige skader. Garantien er ikke gyldig hvis produktet har blitt misbrukt, brukt på annen måte enn det som beskrives i bruksanvisningen eller er koblet til på feil måte. Denne garantien gjelder ikke for:
  - enhver skade på produktet som er resultat av utlilskrekkelig vedlikehold
  - ethvert produkt som har blitt endret eller modifisert
  - ethvert produkt der de originale identifiseringsmerkene (varemerke, serienummer) har blitt uleselig, er endret eller fjernet
  - enhver skade som forårsakes av ikke-overholdelse av instruksjonshåndboken
  - ethvert ikke-CE-produkt
  - ethvert produkt som har blitt forsøkt reparert eller av en ikke-kvalifisert fagperson eller uten tidligere autorisasjon fra Techtronic Industries.
  - ethvert produkt tilkoblet feil strømforsyning (ampere, spenning, frekvens)
  - enhver skade som er forårsaket av eksterne påvirkninger (kjemiske, fysiske, støt) eller fremmede stoffer
  - normal slitasje og sliteservervedler
  - feil bruk, overbelastning av verktøyet
  - bruk av ikke-godkjent tilbehør eller deler
  - Elektrisk verktøytillbehør levert med verktøyet eller kjøpt separat. Slike ekskluderinger, inkludert, men ikke begrenset til skrutrekkerbits, drillbits, slipedisker, sandpapir og blader, lateral føring
  - Komponenter (deler og tilbehør) som er utsatt for naturlig slitasje, inkludert, men ikke begrenset til service- og vedlikeholdssett, karbonborster, lagre, chuck, SDS-borrbifeste eller -mottak, strømledning, hjelpehåndtak, transportbæreevke, sandingsplate, støvpose, støvutslippsrør, filtpakninger, støtnøkkelpinner og fjær, osv.
- For service må produktet sendes eller fremlegges for en RYOBI-autorisert servicestasjon opplistet for hvert land i den følgende listen over servicestasjonsadresser. I noen land sender den lokale RYOBI-forhandleren produktet til RYOBI serviceorganisasjonen. Ved å sende et produkt til en RYOBI servicestasjon skal produktet være sikkert pakket uten noe farlig innhold, slik som bensin, merket med senderens adresse og fulgt av en kort beskrivelse av feilen.
- En reparasjon/erstatning under denne garantien er gratis. Den utgjør ingen forlengelse eller en ny start av garantiperioden. Utvekslede deler eller verktøy blir vår eiendom. I noen land vil leveringskostnader eller fraktering måtte betales av senderen. Dine lovbestemte rettigheter som oppstår fra kjøp av verktøyet forblir uberørt.
- Denne garantien er gyldig i EU, Sveits, Island, Norge, Liechtenstein, Tyrkia og Russland. Utenfor disse områdene ta kontakt med din autoriserte RYOBI-forhandler om en annen garanti gjelder.

### AUTORISERT SERVICESENTER

For å finne et autorisert servicesenter i nærheten, gå til <http://no.ryobitools.eu/header/service-and-support/service-agents>.

## RU УСЛОВИЯ ПРИМЕНЕНИЯ ГАРАНТИИ НА ПРОДУКЦИЮ RYOBI®

Помимо законных прав, возникающих при покупке, данное изделие покрывается гарантией в соответствии с приведенными ниже пунктами.

- Гарантийный период для покупателя составляет 24 месяца с даты покупки изделия. Дата покупки должна быть подтверждена полностью заполненным гарантийным талоном и чеком о покупке. Данное изделие предназначено только для частного использования покупателем. Поэтому гарантия не распространяется на использование в профессиональных или коммерческих целях.
- Предусмотрена возможность продления для части изделий линейки электроинструментов (AC/DC) гарантийного периода с помощью регистрации на сайте [www.ryobitools.eu](http://www.ryobitools.eu). Право инструмента на продление гарантийного периода четко указано в магазинах и / или на упаковке / и содержится в сопутствующей инструменту документации. Конечный пользователь должен зарегистрировать свой приобретенный инструмент в течение 30 дней с даты покупки. Конечный пользователь может зарегистрировать свой инструмент на продление гарантии в стране своего проживания, если она указана в форме онлайн-регистрации. Кроме того, конечный пользователь должен дать свое согласие на хранение данных, которые необходимо ввести в онлайн-форму и принять правила и условия. Подтверждение регистрации, которое вы получите по электронной почте, заполненный гарантийный талон и оригинальный чек, в котором указана дата покупки, будут служить доказательством продленной гарантии.
- Гарантия покрывает в течение гарантийного периода все дефекты качества или материала изделия на дату покупки. Гарантия ограничена ремонтом и / или заменой и не включает никакие другие обязательства, включая, но не ограничиваясь случайным или косвенным убыткам. Гарантия становится недействительной, если изделие использовалось не по назначению, вопреки инструкциям, данным в Руководстве пользователя или было неправильно подключено. Настоящая гарантия не распространяется на:
  - любые повреждения изделия в результате неправильного технического обслуживания или недостаточного ухода за инструментом
  - любые изделия, подвергшиеся изменениям и модификации которого (торговая марка, серийный номер) были повреждены, изменены или удалены
  - любые повреждения, вызванные несоблюдением инструкций Руководства пользователя
  - любые изделия, не сертифицированные маркировкой "CE" для продажи в Европейском союзе
  - любые изделия, подвергшиеся попыткам ремонта неквалифицированным работником или без предварительного утверждения компанией Techtronic Industries.
  - любые изделия, подключенные к неправильному источнику питания (сила тока, напряжение, частота)
  - любые повреждения, вызванные внешними воздействиями (химические, физические, удары) или посторонними веществами
  - естественный износ запасных деталей
  - несоответствующее использование, перегрузка инструмента
  - использование неутвержденных аксессуаров и неофициальных запасных частей
  - аксессуары электроинструментов, поставляемые с инструментом или приобретаемые отдельно. К этому списку относятся, но не исчерпывают его: сверла шуруповертов, дрелей, абразивные диски, наждачную бумагу, лезвия и боковые направляющие компоненты (детали и аксессуары), подверженные естественному износу и разрыву, включая, но не ограничиваясь наборы для технического обслуживания, угольные щетки, подшипники, патроны, переходники SDS, кабели питания, дополнительные ручки, футляры для транспортировки, шифовальные подошвы, пылесборники, трубки для отвода пыли, войлочные шайбы, штыри и пружины ударных ключей и др.
- Для проведения технического обслуживания изделие следует направлять в авторизованные сервисные центры RYOBI, указанные для каждой страны в приведенном ниже списке адресов станций сервисного обслуживания. В некоторых странах местные дилеры RYOBI отправляют изделия в сервисные организации RYOBI. При отправке изделия в сервисный центр RYOBI, изделие должно быть безопасно упаковано и не содержать никаких опасных веществ, таких как бензин, должен быть подписан адрес отправителя и сопровождаться кратким описанием неисправности.
- Ремонт / замена проводится в рамках настоящей гарантии бесплатно. Он не подлежит гарантии и не начинает новый гарантийный период. Заменяемые детали и инструменты становятся нашей собственностью. В некоторых странах отправитель должен оплачивать стоимость отправки. Ваши законные права, возникшие при покупке инструмента, остаются неизменными.
- Данная гарантия действительна в Европейском Сообществе, Швейцарии, Исландии, Норвегии, Лихтенштейне, Турции и России. Вне указанных территорий обращайтесь к своему авторизованному дилеру RYOBI, чтобы узнать, применяются ли условия каких-либо других гарантий.

### УПОЛНОМОЧЕННЫЙ СЕРВИСНЫЙ ЦЕНТР

Чтобы найти ближайший уполномоченный сервисный центр, обратитесь к веб-сайту <http://ru.ryobitools.eu/header/service-and-support/service-agents>.

## PL WARUNKI GWARANCJI RYOBI®

Oprócz praw ustawowych wynikających z zakupu produkt jest objęty gwarancją, której warunki podano poniżej.

1. Okres gwarancyjny wynosi 24 miesiące dla konsumentów i rozpoczyna się w dniu zakupu produktu. Datę zakupu należy udokumentować fakturą lub innym dowodem zakupu. Produkt został zaprojektowany i jest przeznaczony do użytku konsumenckiego i prywatnego. W związku z tym gwarancja nie obejmuje zastosowań profesjonalnych i komercyjnych.
2. Istnieje możliwość wydłużenia okresu gwarancyjnego dla części asortymentu narzędzi ręcznych z napędem mechanicznym (AC/DC) poprzez zarejestrowanie produktu na stronie internetowej [www.ryobitools.eu](http://www.ryobitools.eu). Kwalifikowalność narzędzi do wydłużenia okresu gwarancyjnego jest wyraźnie określona w sklepach i/lub na opakowaniu oraz w dokumentacji produktu. Użytkownik końcowy musi zarejestrować nowo kupione narzędzia online w ciągu 30 dni od daty zakupu. Użytkownik końcowy może zarejestrować się w celu przedłużenia gwarancji w swoim kraju zamieszkania, jeżeli jest on wymieniony w formularzu rejestracji online, gdzie opcja ta obowiązuje. Ponadto użytkownicy końcowi muszą wyrazić zgodę na przechowywanie danych, wprowadzanych na stronie internetowej i zaakceptować regulamin. Dowodem wydłużenia gwarancji jest wysłane pocztą elektroniczną potwierdzenie rejestracji i oryginał faktury potwierdzającej datę zakupu.
3. Gwarancja obejmuje wszystkie wady produktu ujawnione w okresie gwarancyjnym wynikające usterek wykonania lub materiału obecnego w dniu zakupu. Gwarancja jest ograniczona do naprawy i/lub wymiany i nie obejmuje żadnych innych zobowiązań, w tym między innymi odpowiedzialności za szkody przypadkowe lub wtórne. Gwarancja nie obowiązuje, jeżeli produkt był nieprawidłowo używany, używany niezgodnie z instrukcją lub nie był prawidłowo podłączony. Gwarancja nie obejmuje:
  - uszkodzenia produktu wynikającego z nieprawidłowej konserwacji,
  - produktu, który został zmieniony lub zmodyfikowany,
  - produktu, którego oryginalne oznaczenie (znak towarowy, numer seryjny) zostało zniszczone, zmienione lub usunięte,
  - jakiegokolwiek uszkodzeń wynikających z nieprzestrzegania instrukcji,
  - jakiegokolwiek produktu bez certyfikatu CE,
  - jakiegokolwiek produktu, który próbowano naprawić z pomocą niewykwalifikowanej osoby lub bez uzyskania wcześniejszej zgody firmy Techtronic Industries.
  - jakiegokolwiek produktu podłączonego nie prawidłowego źródła zasilania (nieprawidłowe napięcie prądu, napięcie, częstotliwość),
  - jakiegokolwiek uszkodzeń spowodowanych wpływem czynników zewnętrznych (chemicznych, fizycznych, drgań) lub substancji obcych,
  - normalnego zużycia części zamiennych,
  - nieprawidłowego użycia, przeciążenia narzędzia,
  - stosowania niezatwierdzonych akcesoriów lub części,
  - akcesoriów narzędzi ręcznych z napędem mechanicznym dostarczonych z narzędziami lub kupionych oddzielnie. Takie wykluczenia obejmują, między innymi, wymienne ostrza wkrętaka, wiertła, tarcze cierne, papier ścierny i ostrza, prowadnicę boczną.
  - elementów (części i akcesoriów) podlegających naturalnemu zużyciu obejmujących, między innymi, zestawy do konserwacji i serwisu, szczotki węglowe, łożyska, uchwyty, przystawkę wiertła SDS, gniazdo, przewód zasilania, uchwyty pomocnicze, skrzynię transportową, płytę szlifierską, worek pyłowy, rurę odprowadzania pyłu, podkładki filcowe, korki i sprężyny klucza udarowego itp.
4. W celu serwisowania produkt należy wysłać lub okazać w autoryzowanym punkcie serwisowym RYOBI znajdującym się na przedstawionym poniżej wykazie punktów serwisowych w poszczególnych krajach. W niektórych krajach lokalny dystrybutor produktów RYOBI podejmuje się wysyłki produktu do centrum serwisowego RYOBI. W przypadku wysyłki do punktu serwisowego RYOBI produkt — pozbawiony jakiegokolwiek niebezpiecznych substancji, na przykład benzyny — należy bezpiecznie zapakować i dołączyć adres nadawcy oraz krótki opis usterek.
5. Naprawa/wymiana w ramach niniejszej gwarancji jest bezpłatna. Nie stanowi jednak o przedłużeniu lub rozpoczęciu od nowa biegu okresu gwarancyjnego. Wymienione części lub narzędzia stają się naszą własnością. W przypadku niektórych krajów nadawca będzie musiał uregulować koszty dostawy lub opłaty pocztowe. Prawa ustawowe wynikające z zakupu narzędzia pozostają niezmienione.
6. Niniejsza gwarancja obowiązuje w Unii Europejskiej, Szwajcarii, Islandii, Norwegii, Liechtensteinie, Turcji i Rosji. Poza tymi obszarami należy skontaktować się z autoryzowanym dostawcą produktów RYOBI i ustalić, czy obowiązuje inna gwarancja.

### AUTORYZOWANY PUNKT SERWISOWY

Najbliższy autoryzowany punkt serwisowy można znaleźć w witrynie internetowej <http://pl.ryobitools.eu/header/service-and-support/service-agents>.

## CS ZÁRUČNÍ PODMÍNKY RYOBI®

Kromě zákonných práv vyplývajících z koupě výrobku se na tento výrobek vztahuje také níže uvedená záruka.

1. Záruční doba pro spotřebitele je 24 měsíců a začíná datem nákupu výrobku. Datum musí být zaznamenáno na fakturě nebo jiném dokladu o koupi. Tento výrobek je navržen a určen pouze pro soukromé účely spotřebitelů. Záruka se tedy nevztahuje na profesionální nebo komerční využití výrobku.
2. U některých elektrických nástrojů (AC/DC) je možné záruční dobu prodloužit. K tomu je nutná registrace na stránkách [www.ryobitools.eu](http://www.ryobitools.eu). Možnost prodloužení záruční doby výrobků je jasně uvedena v prodejních, popř. na obalech nebo v dokumentech o výrobku. Koncový uživatel musí svůj nový nástroj zaregistrovat online do 30 dnů od data nákupu. Koncový uživatel se může k prodloužení záruční doby zaregistrovat v zemi trvalého pobytu, pokud je tato uvedena na internetovém registračním formuláři u výrobku, kde je tato možnost dostupná. Koncoví uživatelé musí dále souhlasit s uložením osobních údajů, která musí zadat na internetu, a přijmout obchodní podmínky. E-mail s potvrzením registrace a původní faktura s datem koupě poslouží jako důkaz o prodloužení záruce.
3. Záruka se vztahuje na veškeré vady na výrobku v rámci záruční doby způsobené výrobními vadami nebo vadami materiálu v době koupě. Záruka je omezena na opravu, popřípadě výměnu a nezahrnuje žádné další povinnosti, včetně mimo jiné vedlejších či následných odškodnění. Záruka neplatí při použití výrobku k nevhodným účelům, v rozporu s uživatelskou příručkou nebo při nesprávném zapojení. Záruka se nevztahuje na:
  - veškeré škody na výrobku způsobené nesprávnou údržbou
  - veškeré produkty, které byly pozměněny nebo upraveny
  - veškeré produkty, kde byly původní identifikační prvky (obchodní značka, sériové číslo) poničeny, pozměněny nebo odstraněny
  - veškeré škody způsobené nedodržením pokynů uživatelské příručky
  - veškeré produkty bez CE certifikace
  - veškeré produkty, které se pokusil opravit nequalifikovaný odborník nebo opravy bez předchozího svolení společnosti Techtronic Industries.
  - veškeré produkty zapojené do nesprávného elektrického zdroje (proud, napětí, frekvence)
  - veškeré škody způsobené externími vlivy (chemickými, fyzickými, nárazy) nebo cizími látkami
  - běžné opotřebování dílů
  - nevhodné použití, přetěžování nástroje
  - použití neschválených příslušenství nebo dílů
  - příslušenství k elektrickému nástroji poskytnuté s nástrojem nebo zakoupené samostatně. Tyto výjimky se vztahují mimo jiné na šroubovací bity, vrátky, brusné disky, brusný papír a čepele, postranní vodič lišty
  - komponenty (díly a příslušenství) podléhající přirozenému opotřebování, včetně mimo jiné servisních sad, karbonových kartáčů, ložisek, sklíčidla, SDS nástavce na vrtací bity, napájecího kabelu, pomocné rukojeti, přepravního pouzdra, brusné desky, prachového vaku, výfukové prachové trubice, plstěných podložek, západek a průžní rážového utahávkového trudu.
4. K provedení servisu musí být výrobek zaslán nebo předán do autorizovaného servisního centra společnosti RYOBI, jejichž adresy jsou uvedeny podle země v seznamu servisních center. V některých zemích za vás výrobek pošle servisní organizaci RYOBI sám prodejce výrobků této značky. Při zasílání výrobku do servisního centra RYOBI je potřeba výrobek obalovat a přiložit krátký popis závady.
5. Oprava, popř. výměna v rámci této záruky je zdarma. Neznamená to prodloužení nebo začátek nové záruční lhůty. Vyměněné díly nebo nástroje přejdou do našeho vlastnictví. V některých zemích platí poštovné odesílatele. Vaše zákonná práva vyplývající z koupě tohoto nástroje utvářejí nedotčená.
6. Tato záruka platí v Evropském Společenství, Švýcarsku, Norsku, Lichtenštejnsku, Turecku, Rusku a na Islandu. Mimo tuto území kontaktujte autorizovaného prodejce značky RYOBI, který zjistí, zda se na výrobek vztahuje jiná záruka.

### POVĚŘENÉ SERVISNÍ STŘEDISKO

Pro nalezení nejbližšího pověřeného servisního střediska navštivte <http://cz.ryobitools.eu/header/service-and-support/service-agents>.

## **HU** A RYOBI® GARANCIA ALKALMAZÁSÁNAK FELTÉTELEI

A vásárlásból adódó törvényben rögzített jogok mellett a termékre az alábbi garancia vonatkozik.

1. A fogyasztói garancia tartama 24 hónap, mely a termék vásárlásának napjával kezdődik. Ezt a dátumot számlával vagy a vásárlást igazoló egyéb dokumentummal kell bizonyítani. A termék rendeltetése csak fogyasztói és magáncéllú használattal. Ezért professzionális vagy kereskedelmi használat esetén a garancia nem érvényes.
2. A szerszámgépek (egyenáramú/váltóáramú) egy részénél a garancia időtartama a [www.ryobitools.eu](http://www.ryobitools.eu) weblapon regisztrálva meghosszabbítható. Az áruházakban, a csomagolásban, illetve a termék dokumentációjában egyértelműen jelezzük, hogy az adott termék garanciája meghosszabbítható-e. A végfelhasználónak a vásárlás dátumától számított 30 napon belül regisztrálnia kell az újonnan vásárolt szerszámot. A végfelhasználó akkor regisztrálhatja a kiterjesztett garanciára, ha az ország, ahol lakik, fel van sorolva az online regisztrációs űrlapon azon országok között, ahol választható ez az opció. Ezenkívül a végfelhasználónak bele kell egyeznie az online regisztrálás során szükséges adatok tárolásába, és el kell fogadnia a felhasználási feltételeket. A kiterjesztett garanciát a regisztráció beérkezésétől e-mailben küldött visszaigazolással és a vásárlás dátumát tartalmazó eredeti számla igazolja.
3. A garancia a termék vásárlásakor fennálló, a gyártás során keletkezett hibákra és anyaghibákra érvényes a garanciális időtartamon belül. A garancia csak a javításra/cserére korlátozódik, és nem terjed ki semmilyen egyéb kötelezettségre, nem kizárólagosan ideértve a véletlen vagy szándékos rongálást. A garancia nem érvényes, ha a terméket nem megfelelően, a használati utasításban foglaltakkal ellentétben, illetve nem megfelelően csatlakoztatva használták. A garancia nem vonatkozik:
  - a terméket a nem megfelelő karbantartás következtében ért károsodásra
  - megváltoztatott vagy átalakított termékre
  - olyan termékre, melyen az eredeti azonosítókat (védjegy, sorozatszám) megrongálták, megváltoztatták vagy eltávolították
  - a használati utasítás be nem tartásából eredő kárra
  - CE jelöléssel nem rendelkező termékekre
  - olyan termékre, melyet nem képzett, illetve a Techtronic Industries által nem fejlesztett szerelő javított
  - nem megfelelő (áramerősségű, feszültségű, frekvenciájú) áramforrásra csatlakoztatott termékre
  - külső (vezély, fizikai, ütés) hatásokból vagy idegen anyagokból eredő károkkra
  - a cserélhető alkatrészek természetes kopására és elhasználódására
  - a szerszám helytelen használatára, túlterhelésére
  - nem jóváhagyott tartozékok és alkatrészek használatára
  - A számmal adott vagy külön megvásárolt tartozékokra. Ilyenek például (de nem kizárólag) a csavarhűzőfejek, fúrószárak, csiszolókorongok, csiszolópapír, kések, oldalirányú terelők.
  - A természetes kopásnak, elhasználódásnak kitett alkatrészek és kiegészítők, például (de nem kizárólag) szerviz- és karbantartóeszközlet, szénkéfék, csapagyak, tokmány, SDS fúrószár csatlakozója, tápkábel, segédfogantyú, szállítók, csiszolólap, porzsák, porelvezető cső, filcálatétek, ütműves csavarbehajtó gép csapszege és rugója stb.
4. A terméket javításra el kell vinni egy meghatalmazott RYOBI szervizbe; ezeket az egyes országokhoz a következő listában találja. Egyes országokban a helyi RYOBI kereskedő vállalja a termék elszállítását a RYOBI szervizbe. A terméket veszélyes tartalom, például benzín nélkül csomagolja, a feladó címét feltüntetve, a hiba rövid leírásával együtt küldje el a RYOBI szervizbe.
5. A jelen garancia hatálya alatt végzett javítás, illetve csere ingyenes. Nem jelenti a garanciális időtartam újraindulását. A kicserélt alkatrészek és szerszámok a mi tulajdonunkba kerülnek. Egyes országokban a szállítás vagy postázás költségét a feladó viseli. A vevőnek a szerszám megvásárlásából adódó törvényes jogai nem változnak.
6. Jelen garancia az Európai Közösségben, Svájcban, Izlandon, Norvégiában, Liechtensteinben, Törökországban és Oroszországban érvényes. E területeken kívül kérdezze meg a RYOBI forgalmazót, hogy milyen garancia van érvényben.

### **HIVATALOS SZERVIZKÖZPONT**

A legközelebbi hivatalos szervizközpont megtalálásához látogasson el a <http://hu.ryobitools.eu/header/service-and-support/service-agents>.

## **RO** CONDIȚII DE APLICARE A GARANȚIEI PENTRU PRODUSELE RYOBI®

În plus față de condițiile statutare rezultate din achiziționarea acestui produs, acesta este acoperit de garanția stipulată mai jos.

1. Perioada de garanție este de 24 de luni pentru consumatori și începe de la data achiziționării produsului. Data de începere a garanției trebuie demonstrată cu o factură sau altă dovadă a cumpărării produsului. Produsul este destinat și conceput doar pentru utilizare în scopuri personale. Din acest motiv, nu se oferă garanție pentru utilizarea sa în scop profesional sau comercial.
2. Există posibilitatea de a extinde a perioadei de garanție pentru gama de unelte electrice (de CA/CC) peste perioada stipulată mai sus prin înscrierea produsului pe [website-ul www.ryobitools.eu](http://www.ryobitools.eu). Eligibilitatea pentru perioada de extindere a garanției este afișată în mod clar în magazinele de vânzare și/sau pe ambalaj sau este inclusă în documentația livrată împreună cu produsul. Utilizatorul final este obligat să-și înregistreze produsul online în termen de maxim 30 de zile de la data achiziției acestuia. Utilizatorul final poate înregistra produsul pentru garanția extinsă oferită în țara sa de rezidență dacă aceasta este listată în formularul de înregistrare online și dacă această opțiune este validă. În plus, utilizatorul final trebuie să-și dea acordul pentru stocarea datelor personale solicitate la înregistrarea online și trebuie să accepte termenii și condițiile. Mesajul de confirmare a înregistrării, trimis prin e-mail și factura originală cu data achiziției vor dovedi perioada de garanție extinsă.
3. Garanția acoperă toate defecțiunile produsului survenite în perioada de garanție datorate defectelor de execuție sau materialelor folosite, începând cu data achiziției acestuia. Garanția este limitată la reparare și/sau înlocuire și nu include alte obligații, inclusiv, dar fără a se limita la daune accidentale sau rezultate pe cale de consecință. Garanția își pierde valabilitatea dacă produsul este utilizat necorespunzător, utilizat neconform cu instrucțiunile de utilizare din manualul cu instrucțiuni sau conectat incorect. Garanția nu se aplică în cazul:
  - oricărei defecțiuni survenite în urma întreținerii necorespunzătoare a produsului
  - oricărui produs alterat sau modificat
  - oricărui produs la care inscripțiile cu datele de identificare (marca comercială, numărul de serie) au fost șterse, modificate sau îndepărtate
  - oricărei defecțiuni datorate neconformării cu instrucțiunile din manualul de utilizare
  - oricărui produs necertificat CE
  - oricărui produs asupra căruia au fost efectuate tentative de reparare de către personal necertificat sau fără autorizație prealabilă din partea Techtronic Industries.
  - oricărui produs conectat la o sursă de alimentare necorespunzătoare (curent, tensiune, frecvență)
  - oricărui defecțiuni datorate unor influențe externe (chimice, fizice, șocuri) sau substanțe străine
  - uzurii și fisurării normale a pieselor de rezervă
  - utilizării neadecvate, suprasolicitării uneltei
  - utilizării de piese și accesorii neaprobate
  - accesoriilor pentru unelți furnizate odată cu acestea sau achiziționate separat. Acestea excluderă se aplică, dar fără a se limita la următoarele: burghie, biți de șurubelniță, discuri abrazive, hârte abrazive și lame de tăiere, ghidaje laterale
  - Componentele (piese și accesorii) supuse uzurii normale, care includ, fără a se limita la, kituri de întreținere și service, perle de carbon, rulmenți, mandrină, adaptor pentru burghie SDS, cordon de alimentare, manere auxiliare, cutie de transport, placă pentru șlefuit, sac pentru praf, tub pentru evacuarea prafului, discuri de pălă, adaptoare și resorturi pentru cheile de strângere prin vibrație, etc.
4. Pentru efectuarea reparațiilor, produsul trebuie trimis sau adus la un centru de reparații autorizat RYOBI din lista următoare de centre de reparații prezentate pentru fiecare țară. În anumite țări, reprezentatul local RYOBI va trimite produsul spre reparare la sediul central de reparații RYOBI. Atunci când trimiteți produsul spre reparare la un centru de reparații RYOBI, acesta trebuie ambalat în siguranță, fără conținut periculos (cum ar fi benzina), marcat cu adresa expeditorului și însoțit de o scurtă descriere a defecțiunii.
5. Repararea/înlocuirea în perioada de garanție este gratuită. Aceasta nu este însoțită de o prelungire sau o reinițiere a perioadei de garanție. Piesele sau uneltele schimbate devin proprietatea dvs. În anumite țări, taxele de expediție sau poștale vor fi suportate de expeditor. Drepturile dvs. statutare rezultate din achiziția produsului rămân neschimbate
6. Această garanție este valabilă în Comunitatea Europeană, Elveția, Islanda, Norvegia, Liechtenstein, Turcia și Rusia. În afara acestor zone, vă rugăm să contactați reprezentantul dvs. local RYOBI pentru a determina dacă se aplică alt tip de garanție.

### **CENTRU DE SERVICE AUTORIZAT**

Pentru a găsi un centru de service autorizat lângă dvs., vizitați <http://en.ryobitools.eu/header/service-and-support/service-agents>.

## LV RYOBI® GARANTIJAS PIEMĒROŠANAS NOSACĪJUMI

Papildus jebkādam likumiskajām tiesībām, kuras rodas, veicot pirkumu, izstrādājums tiek nodrošināts ar tālāk tekstā noteikto garantiju.

1. Garantijas periods patērētājiem ir 24 mēneši, tā atskaitē tiek sākta no datuma, kurā veikta izstrādājuma iegāde. Šim datumam jābūt dokumentētām rēķinā vai citā pirkumu apliecināošā dokumentā. Izstrādājums ir radīts un paredzēts tikai patērētāja privātai lietošanai. Saistībā ar iepriekšminēto, garantija netiek nodrošināta profesionālas vai komerciālas lietošanas gadījumā.
2. Pastāv iespēja pagarināt daļas no elektroinstrumentu klāsta (Mainstrāvas/akumulatoru) garantiju ilgāk par iepriekš minēto periodu, izmantojot reģistrāciju interneta vietnē [www.ryobitools.eu](http://www.ryobitools.eu). Instrumenti, kas pakļauti garantijas perioda pagarināšanai, tiek skaidri apzīmēti veikalos un/vai uz iepakojuma un izstrādājumu komplektējošajā dokumentācijā. Gala lietotājam nepieciešams reģistrēt lai iegādātu jauno instrumentu 30 dienu laikā no pirkuma datuma. Gala lietotājs var reģistrēties pagarinātajai garantijai savā mītnes valstī, ja tā minēta tiesaistes reģistrācijas veidlapā, kurā šī iespēja ir aktīva. Bez tam, gala lietotājam ir jāsniedz pierādīšana tiesaistes ievadīšanai nepieciešamo datu glabāšanai un jāpiekrīt noteikumiem un nosacījumiem. Reģistrācijas apstiprinājums, kas tiek nosūtīts, izmantojot e-pastu, un rēķina oriģināls, kurā norādīts iegādes datums, kalpo kā pagarinātās garantijas apstiprinājums.
3. Garantija attiecas uz visiem izstrādājuma defektiem garantijas periodā, kas saistīti ar ražošanas vai materiālu defektiem no pirkuma datuma. Šī garantija tiek ierobežota ar remontu un/vai nomainītu neietver jebkādas citas saistības, tajā skaitā, bet ne tikai, cēloņsakarīgos vai saistītos bojājumus. Garantija nav spēkā, ja izstrādājums ir nepareizi lietots, izmantots pretēji norādēm lietošanas rokasgrāmatā vai bijis nepareizi pieslēgts. Šī garantija netiek attiecināta uz:
  - jebkādiem izstrādājuma bojājumiem, kas radušies nepareizas uzturēšanas rezultātā
  - jebkuru izstrādājumu, kas ticis pārveidots vai mainīts
  - jebkuru izstrādājumu, kura oriģinālās identifikācijas (preču zīme, sērijas numurs) marķējums ir ticis nodzēsts, mainīts vai noņemts
  - jebkādiem bojājumiem, kuri radušies neievērojot norādes lietošanas rokasgrāmatā
  - jebkādam izstrādājumam bez CE sertifikācijas
  - jebkuru izstrādājumam, kura remontu mēģinājis veikt nekvalificēts personāls vai bez Technronic Industries iepriekšējas autorizācijas.
  - jebkuru izstrādājumam, kurš bijis pieslēgts neatbilstošu parametru (strāvas, sprieguma, frekvences) sprieguma avotam
  - jebkuriem bojājumiem, kuri radušies ārējas iedarbības (ķīmiskas, fiziskas, triecieni) vai vielu ietekmē
  - detaļu normāla lietošanas nodiluma rezultātā
  - nepareizas lietošanas vai instrumentu pārslodzes rezultātā
  - neapstiprinātu detaļu vai aprīkojuma lietošanas rezultātā
  - elektroinstrumentu aksesuāriem, kas atrodas instrumenta komplektācijā vai ir iegādāti atsevišķi. Šis izņēmums attiecināms uz, bet neaprobežojoties ar, skrūvgrīžu uzgaļiem, urbjiem, abrazīvajiem diskkiem, smilšpapīru un asmeņiem, sānu vadotnēm
  - komponentiem (daļām un aksesuāriem), kas pakļauti normālam nodilumam, ieskaitot, bet neaprobežojoties ar Servisa un apkopju komplekti, oglekļa sukuks, gultņi, patrona, SDS urbju uztverējiem vai uzlikas, elektrības vads, papildus rukturis, transportēšanas un pārnēsāšanas kaste, stipmašīnas plāksne, putekļu maisis, putekļu izvadīšanas caurule, paplākšņi, triecienatslēgu tapas un atsperes, u.t.t.
4. Servisa nodrošināšanai, izstrādājums ir jānodod pilnvarotā RYOBI servisa centrā, kas norādīts katrai valstij tālāk minētajā servisa centru adresē sarakstā. Dažas valstīs jūsu vietējais RYOBI izplatītājs uzņemas izstrādājuma nosūtīšanu uz RYOBI servisa organizāciju. Nosūtīt izstrādājumu uz RYOBI servisa centru, izstrādājuma jābūt droši iepakotam, tas nedrīkst saturēt bīstamas vielas kā degvielu, sūtfūjumam jābūt marķētam ar sūtfūtajā adresi un īsu kļūmes aprakstu.
5. Remonts/nomaiņa šīs garantijas ietvaros ir bezmaksas. Tas nerada garantijas perioda pagarināšanu vai jaunu garantiju. Nomaiņās daļas vai instrumentu kļūst par mūsu īpašumu. Dažas valstis piegādes vai pasta izmaksas būs jāapmaksā sūtfūtajam. Jūsu likumiskās tiesības, kas nodibinās, iegādājoties instrumentu, paliek nemainīgas
6. Šī garantija ir spēkā Eiropas Kopienā, Šveicē, Islandē, Norvēģijā, Līhtenšteinā, Turcijā un Krievijā. Ārpus šīm teritorijām, lūdzu, sazinieties ar jūsu pilnvaroto RYOBI izplatītāju, lai noteiktu, vai ir piemērojama cita garantija.

### AUTORIZĒTS APKALPOŠANAS CENTRS

Lai atrastu tuvāko autorizēto apkalpošanas centru, apmeklējiet <http://en.ryobitools.eu/header/service-and-support/service-agents>.

## LT „RYOBI®“ GARANTIJOS TAIKYMO SĄLYGOS

Papildant bet kokias įstatybose numatytas perkant atsižandantis teises, šiam įrenginiui taikoma toliau nurodyta garantija.

1. Vartotojams suteikiama 24 mėnesių trukmės garantija nuo įrenginio įsigijimo datos. Ši data turi būti nurodyta sąskaitoje faktūroje ar kitame pirkimą įrodančiame dokumente. Šis įrenginys skirtas tik vartotojų rinkai ir asmeniniam naudojimui. Todėl garantija netaikoma, jei įrenginys naudojamas profesiniams ar komerciniams reikmėms.
2. Įsigijus tam tikrus elektrinius įrenginius (AC/DC), suteikiama galimybė pratęsti garantiją, kad ji galiojūt ilgiau, nei nurodyta pirmiau, naudojantis registracija interneto svetainėje [www.ryobitools.eu](http://www.ryobitools.eu). Ar galima pratęsti įrenginio garantinį laikotarpį, aiškiai nurodoma praduotuvėse ir (arba) ant įrenginio pakuočės, ir (arba) įrenginio dokumentuose. Galutinis naudotojas turi užregistruoti savo naujai įsigytą įrenginį per 30 dienų nuo įsigijimo datos. Galutinis naudotojas gali registruotis išplėstinei garantijai savo gyvenamojoje šalyje, jei ji nurodyta internetinėje registracijos formoje, kurioje siūloma tokia galimybė. Be to, galutiniai naudotojai turi sutikti su duomenų, kuriuos reikia įvesti internetu, saugojimu ir vėlesniam naudojimui sąlygomis. Kaip išplėstinės garantijos įrodymas naudojamas registracijos patvirtinimo kvitas, atsiunčiamas e. paštu, ir originali sąskaita faktūra, kurioje nurodyta įsigijimo data.
3. Ši garantija apima visus garantiniu laikotarpiu aptiktus įrenginio trūkumus, atsiradusius dėl gamybos arba medžiaginių defektų nuo įsigijimo datos. Ši garantija nįbjoama remontu ir (arba) pakeitimu, ji neapima jokių kitų įsipareigojimų, įskaitant (bet tuo neapsiribojant) šaltinius arba antrinius nuostolius. Garantija anuliuojama, jei įrenginys buvo naudojamas netinkamai, naudojamas ne pagal naudojimo instrukciją arba netinkamai prijungtas. Ši garantija netaikoma:
  - jokiai įrenginiui padarytai žalai, kurią lemė netinkama techninė priežiūra;
  - jokiam įrenginiui, kuris buvo keičiamas ar modifikuojamas;
  - jokiam įrenginiui, kurio originalūs identifikavimo ženklai (prekės ženklas, serijos numeris) buvo sugadinti, pakeisti arba pašalinti;
  - jokiai žalai, kurią lemė naudojimo instrukcijos nesilaikymas;
  - jokiams CE ženklu nepažymėtiems įrenginiams;
  - jokiam įrenginiui, kurį bandė remontuoti nekvalifikuoti asmenys arba kuris buvo remontojuojamas be „Technronic Industries“ leidimo;
  - jokiam įrenginiui, kuris buvo prijungtas prie netinkamo maitinimo tinklo (netinkamos srovės, įtampos, dažnio);
  - jokiai žalai, kurią lemė išorinis poveikis (cheminis, fizinis, smūgiai) arba pašalinės medžiagos;
  - dėvimosioms dalims;
  - netinkamam naudojimui, įrenginio perkrovai;
  - nepatvirtintų priedų arba dalių naudojimui;
  - su įrenginiu pateiktiems arba atskirai įsigytiems elektrinio įrenginio priedams. Šios išimty apima (tuo neapsiribojant) atsektuvų antgalius, gražtų antgalius, šlifavimo diskus, švitrinį popierių ir geležtes, šoninį kreiptuvą;
  - komponentams (dalims ir priedams), kurie natūraliai dėviis, įskaitant (bet tuo neapsiribojant) įprastines ir technines priežiūros rinkinius, anglinius šepetėlius, guolius, laikiklį, SDS gražtų antgalių priedą arba lizdą, maitinimo kabelį, pagalbini rąnkėną, nešiojimo dėklį, šlifavimo diską, maišelį dulkmėms, dulkių ištraukimo vamzdelį, fetro poveržles, smūginio veržliarakčio kaiščius ir spyruokles ir pan.
4. Prireikus atlikti priežiūros darbus, įrenginį reikia siųsti arba atvežti RYOBI įgaliotajam priežiūros centrui, nurodytam kiekvienos šalies priežiūros centrų adresų sąrašė. Kai kuriose šalyse vietinis RYOBI atstovas siunčia įrenginį RYOBI priežiūros organizacijai. Siunčiant įrenginį RYOBI priežiūros centrui, reikia saugiai įj supakuoti pašalinant visas pavojingas medžiagas, pvz., benzina, nurodyti ant pakuočės siuntytojo adresą ir pridėti trumpą gedimo aprašymą.
5. Pagal šią garantiją remontas / keitimas atliekami nemokamai. Tokie veiksmai netaikomi garantijos pratęsimu arba naujo garantinio laikotarpio pradžia. Dalys arba įrenginiai, kuriuos pakeitėme, tampa mūsų nuosavybe. Kai kuriose šalyse pristatymo ir pašto išlaidas turi padengti siuntėjas. Įstatybose numatytos Jūsų teisės, atsižandantis perkant įrenginį, lieka nepakeistos
6. Ši garantija galioja Europos bendrijoje, Šveicarijoje, Islandijoje, Norvegijoje, Lichtenšteine, Turkijoje ir Rusijoje. Jei gyvenate ne šiose šalyse, kreipkitės į įgaliotąjį RYOBI atstovą ir sužinokite, ar jums taikoma kita garantija.

### ĮGALIJOTOS TECHNINĖS PRIEŽIŪROS CENTRAS

Jei norite surasti įgaliotą techninės priežiūros centrą netoli Jūsų, apsilankykite interneto svetainėje <http://en.ryobitools.eu/header/service-and-support/service-agents>.



Lisaks toote ostust tulenevatele seadusjärgsetele õigustele, kehtib tootele ka alitoodud garantiiga.

- Tarbijatele on garantiiaeg 24 kuud ja algab sellel kuupäeval, mil toode osteti. Selle kuupäeva tõestuseks on vaja arvet või mõnda teist tõendit ostu sooritamise kohta. Toode on mõeldud eratarbijatele ainult isiklikuks kasutamiseks. Seega ei kehti garantii ostu kasutamisel kutsetegevuses või kaubanduslikel eesmärkidel.
- Teatud osale elektrilistele (vahelduvvoolu/alalisvoolu) tööriistadele on võimalik pikendada eespool toodud garantiiaega, kasutades toote registreerimist veebilehel [www.ryobitools.eu](http://www.ryobitools.eu). Teave tööriista võimaliku pikendatud garantiiaja kohta on selgelt esile toodud poodides ja/või pakendil / ning see sisaldub toote dokumentatsioonis. Lõpparbiaja peab registreerima oma uued tööriistad interneti teel 30 päeva jooksul pärast ostmise. Lõppkasutaja võib registreerida pikendatud garantiiaja saamise oma elukohariigis, kui veebis olevas registreerimisvormis on see valik lubatud. Lisaks peavad kasutajad andma oma nõusoleku veebis nõutud sisestatavate andmete säilitamiseks ning nad peavad nõustuma tingimustega. E-posti teel saadetak registreerimise kinnitus ja arve originaal, kus on näha ostu sooritamise kuupäev, on pikendatud garantiiaja tõestuseks.
- Garantii katab kõik defektid toote garantiiaja jooksul, kui ostu kuupäeval ilmnevad talitlus- või materjalivead. Garantii piirub toote remondi ja/või väljavahetamisega ning ei sisalda muid kohustusi, muu hulgas ettenägematuid või kaudseid kahjusid. Garantii ei kehti, kui toodet ei ole kasutatud sihtotstarbelselt või kooskõlas kasutusjuhendiga või see on valesti ühendatud. Garantii ei kehti järgmistel põhjustel:
  - toode on kahjustatud vale hoolduse tõttu
  - toodet on muudetud
  - toote algsuunatud identifitseerimisnumbrid (kaubamärk, seerianumber) on rikutud, muudetud või eemaldatud
  - kahju on tekkinud kasutusjuhendi mittejärgmisest
  - tootel puudub CE-märgis
  - toodet on püüdnud remontida vastavat kvalifikatsiooni mitte omav isik või ilma firma Techtronic Industries eelneva loata.
  - toode on ühendatud valesse toiteallikasse (voolutugevus, pinge, sagedus)
  - välismõjude (keemilised, füüsilised, elektrilöögid) või võrkehade tekitatud kahju
  - tavapärane kulumine ja katkised varuosad
  - ebaõige kasutamine, tööriista ülekoormamine
  - hea kiitumata tarvikute või osade kasutamine
  - koos tööriistaga saadud või eraldi ostetud elektriliste tööriistade tarvikud. Need erandid puudutavad muu hulgas kruvikeeraja otsakuid, puuriterasid, lihvkettaid, lihvpaberit ja -tald, küljuhukuid
  - Komponendid (osad ja tarvikud), mida iseloomustab kulumine ja vananemine, muu hulgas remondi- ja hoolduskomplektid, süsinikharijad, laagrid, padrunid, SDS-puuriterade tarvikud, toitejuhe, lisakäepide, transpordikott, lihvplaat, tolmuott, tolmua väljalasketoru, viidist seibid, löökmutrivõtme violid ja vedrud jne.
- Hoolduseks peab toote saatma või viima RYOBI volitatud teenindusse, mille aadressi leiata järgnevast teeninduspunkti nimekirjast vastava riigi alt. Mõnedes riikides võtab kohalik RYOBI edasimüüja enda kanda kohustuse saata toode RYOBI teenindusorganisatsiooni. Toote saatmisel RYOBI teenindusse peab toode olema ohutult pakitud ja ei tohi sisaldada ohtlikke aineid (nt bensiini), kirjas peab olema saatja aadress ja lisatud vea lühikirjeldus.
- Garantii alusel tehtavad remonditööd / asendamine on tasuta. See ei pikenda garantii kehtivusaega ega tähista uue garantiiaja algust. Väljavahetatud osad või tööriistad kuuluvad meile. Mõnedes riikides maksab kätetoimetamis- ja postikulud saatja. Teile jäävad kehtima tööriista ostust tulenevad seadusjärgsed õigused
- See garantii kehtib Euroopa Ühenduse territooriumil, Šveitsis, Islandil, Norras, Liechtensteinis, Türgis ja Venemaal. Väljaspool neid piirkondi võtke ühendust volitatud RYOBI edasimüüjaga, et teha kindlaks kas kehtib mõni teine garantii.

#### VOLITATUD HOOLDUSKESKUS

Oma volitatud hoolduskeskuse leiate veebisaidilt <http://en.ryobitools.eu/header/service-and-support/service-agents>.

Osim svim zakonskim pravima koja proizlaze iz kupnje, ovaj je proizvod pokriven jamstvom kako je navedeno u nastavku.

- Jamstveno razdoblje za potrošače traje 24 mjeseca i počinje s datumom na koji je proizvod kupljen. Taj datum mora se dokumentirati računom ili drugim dokazom o kupnji. Proizvod je konstruiran i namijenjen samo za privatnu upotrebu korisnika. Stoga se jamstvo ne daje u slučaju profesionalne ili komercijalne uporabe.
- Postoji mogućnost da se za dio asortimana električnih alata pokretanih izmjeničnom strujom (AC/DC) produži gore navedeno jamstveno razdoblje jasno putem registriranja na mrežnom mjestu [www.ryobitools.eu](http://www.ryobitools.eu). Uvjeti koje je potrebno zadovoljiti kako bi se produžilo jamstveno razdoblje jasno su istaknuti u prodavaonicama i / ili na pakiranju / i nalaze se unutar dokumentacije proizvoda. Krajnji korisnik mora registrirati svoje novo kupljene alate na mreži u roku od 30 dana od datuma kupnje. Krajnji korisnik može se registrirati za produženo jamstvo u svojoj zemlji boravišta ako se nalazi na popisu u mrežnom obrascu za registraciju gdje je ta opcija važeća. Nadalje, krajnji korisnici moraju dati svoj pristanak na pohranu podataka koji su potrebni za mrežni ulazak i moraju prihvatiti odredbe i uvjete. Potvrda o prijemu registracije, koja se šalje putem e-pošte, kao i originalni račun s vidljivim datumom kupnje poslužit će kao dokaz produženog jamstva.
- Jamstvo pokriva sve nedostatke proizvoda tijekom jamstvenog razdoblja koji su nastali zbog neispravnosti prilikom izrade ili materijala s datumom kupnje. Jamstvo je ograničeno na popravak i/ili zamjenu i ne obuhvaća nikakve druge obveze, uključujući, ali ne ograničavajući se na slučajne ili posjednične štete. Jamstvo ne vrijedi ako je proizvod bio zlorabljeno, korišten u suprotnosti s priručnikom s uputama ili ako je pogrešno spojen. Ovo jamstvo ne primjenjuje se na:
  - svaku štetu koja je na proizvodu nastala kao rezultat nepravilnog održavanja
  - svaki proizvod koji je promijenjen ili izmijenjen
  - svaki proizvod na kojem su izvorne identifikacijske oznake (žig, serijski broj) bile oštećene, izmijenjene ili uklonjene
  - svaku štetu prouzročenu neprirodžavanjem priručnika s uputama
  - svaki proizvod koji nema oznaku CE
  - svaki proizvod koji je pokušao popraviti neovlašćen profesionalac ili onaj koji je popravljao bez prethodnog odobrenja tvrtke Techtronic Industries.
  - svaki proizvod koji je spojen na neprikladan izvor električnog napajanja (neodgovarajuća amperaza, napon, frekvencija)
  - svaku štetu prouzročenu unutarnjim utjecajima (kemijskim, fizikalnim, udarima) ili stranim tvarima
  - normalno habanje i trošenje rezervnih dijelova
  - neodgovarajuću uporabu, preopterećenje alata
  - upotrebu neodobrenog pribora ili dijelova
  - dotadnu opremu električnog alata isporučenu s alatom ili kupljenu odvojeno. Takvi izuzetci uključuju ali nisu ograničeni na vrhove odvijачa, svrdla bušilice, abrazivne diske, brusni papir i noževe, bočnu vodilicu
  - Komponente (dijelovi i pribor) podložne prirodnom trošenju i habanju, što uključuje, ali nije ograničeno na komplecte za servisiranje i održavanje, ugljične četkice, ležajeve, steznu glavu, nastavak ili priključak za svrdla za SDS bušilicu, priključni kabel, pomoćnu ručku, transportne torbe, brusnu ploču, vreću za prašinu, ispušnu cijev za prašinu, podloške od filca, udarni ključ, zatici i opruge, itd.
- Za potrebe servisiranja, proizvod se mora poslati ili odnijeti u ovlaštenu servisnu postaju tvrtke RYOBI navedenu na sljedećem popisu s adresama servisnih postaja u svakoj zemlji. U nekim zemljama, vaš lokalni RYOBI zastupnik obvezuje se da će poslati proizvod u servisnu organizaciju tvrtke RYOBI. Kada se proizvod šalje u neku servisnu postaju tvrtke RYOBI, proizvod se mora sigurno pakirati bez jednog od opasnih sadržaja kao što je benzin, na njemu mora pisati adresa pošiljatelja i mora biti popraćen kratkim opisom kvara.
- Popravak / zamjena pod ovim jamstvom su besplatni. Oni ne predstavljaju produženje ili novi početak jamstvenog razdoblja. Zamijenjeni dijelovi ili alati postaju vaše vlasništvo. U nekim državama troškove isporuke ili poštarinu mora platiti pošiljatelj. Vaša zakonska prava koja proizlaze iz kupnje alata ostaju nepromijenjena
- Ovo jamstvo vrijedi u Europskoj uniji, Švicarskoj, Islandu, Norveškoj, Lihtenštajnu, Turskoj i Rusiji. Izvan tih područja vas molimo da se obratite svojem ovlaštenom zastupniku tvrtke RYOBI kako biste utvrdili primjenjuje li se drugo jamstvo.

#### OVLAŠTENI SERVISNI CENTAR

Za pronalazjenje ovlaštenog servisnog centra pored vas posjetite <http://en.ryobitools.eu/header/service-and-support/service-agents>.

## SL POGOJI ZA VELJAVNOST GARANCIJE RYOBI®

Poleg morebitnih zakonsko določenih pravic, ki izvirajo iz nakupa, za ta izdelek velja spodaj navedena garancija.

- Garancijsko obdobje je za potrošnike 24 mesecev in začne teči z dnem nakupa izdelka. Ta datum mora biti dokumentiran z računom ali drugim dokazilom o nakupu. Izdelek je zasnovan in namenjen izključno za potrošniško zasebno uporabo. V primeru strokovne oziroma komercialne uporabe izdelka garancija ne velja.
- Obstaja možnost podaljšanja garancije na del naše ponudbe električnih orodij (AC/DC) prek obdobja garancije, opisaneega zgoraj, s pomočjo registracije na spletnem mestu [www.ryobitools.eu](http://www.ryobitools.eu) website. Ustreznost orodij za podaljšanje garancijskega obdobja je jasno prikazana v trgovinah in/ali na embalaži oziroma je navedena v dokumentaciji izdelka. Končni uporabnik mora registrirati svoje novo orodje na spletu v 30 dneh po datumu nakupa. Končni uporabnik lahko registrira podaljšano garancijo v svoji državi bivanja, če je na obrazcu spletne registracije navedeno, da ta možnost velja za njegovo državo. Poleg tega morajo končni uporabniki podati svoje soglasje za shranjevanje podatkov, ki so potrebni za spletni dostop in morajo sprejeti pogoje in določila uporabe spletnega mesta. Potrdilo o registraciji, ki ga pošljemo prek e-pošte, in originalni račun, ki prikazuje datum nakupa, služita kot dokazilo o podaljšani garanciji.
- Garancija krije vse okvare izdelka, do katerih pride v garancijskem obdobju zaradi napak v izdelavi ali materialu, ki so bile prisotne ob datumu nakupa. Garancija je omejena na popravilo in/ali zamenjavo in ne vključuje nobenih drugih obveznosti, med drugim vključno z naključno ali posledično škodo. Garancija ne velja, če je bil izdelek napačno uporabljen, uporabljen v nasprotju z navodili iz priročnika za uporabo ali če ni bil pravilno povezan. Ta garancija ne velja za:
  - škodo na izdelku, ki je posledica neustreznega vzdrževanja
  - spremenjen ali prilagojen izdelek
  - izdelek, katerega originalna identifikacijska oznaka (blagovna znamka, serijska številka) je bil poškodovan, spremenjena ali odstranjena
  - škodo, ki je posledica neupoštevanja navodil iz priročnika za uporabo izdelka, ki nima oznake CE
  - izdelek, ki ga je poskušal opraviti nequalificiran strokovnjak ali ki je bil popravljen brez predhodne odobritve s strani družbe Techtronic Industries.
  - izdelek, ki je bil povezan na neustrezno napajanje (amperska moč, napetost, frekvenca)
  - škodo, ki jo povzročijo zunanji vplivi (kemični, fizični, mehanski) ali tuje snovi
  - rezervne dele, ki so podvrženi običajni uporabi
  - neprimerno uporabo, preobremenitev orodja
  - uporabo neodobrenih dodatkov ali delov
  - Dodatno električno orodje, priloženo orodju ali kupljeno ločeno. Take izjeme so med drugim nastavki za izvijače, svedri, abrazivni diski, brusni papir in rezila, stranska vodila.
  - Komponente (sestavni in rezervni deli), ki so podvrženi običajni obrabi, med drugim vključno s kompleti za servisiranje in vzdrževanje, oglikovimi krtačkami, ležaji, vpenjali, svedrni priključki SDS ali sprejemnimi odprtini zanje, napajalnimi kablji, pomožnimi ročajji, prenosnimi kovički, brusnimi ploščami, vreckami za prah, cevmi za izpuh prahu, tesnilni iz filca, iglami in vzmetni udarnega ključa itd.
- Za servisiranje morate izdelek poslati ali prinesiti v pooblaščen servisni center družbe RYOBI, ki je naveden za vsako državo na naslednjem seznamu naslovov servisnih centrov. V nekaterih državah se vaš lokalni posrednik družbe RYOBI obveže, da bo poslal izdelek na servis družbe RYOBI. Ko pošiljate izdelek v servisni center družbe RYOBI, mora biti izdelek varno zapakiran in ne sme vsebovati nobenih nevarnih snovi, kot je npr. bencin, opremljen pa mora biti z naslovom pošiljatelja in vsebovati kratek opis napake.
- Popravilo/zamenjava v skladu s to garancijo sta brezplačni storitvi. To pa ne predstavlja podaljšanja ali ponovnega začetka garancijskega obdobja. Zamenjani deli ali orodja postanejo naša last. V nekaterih državah stroške dostave ali poštno plača pošiljatelj. Vaše zakonsko določene pravice, ki izvirajo iz nakupa orodja, ostajajo nespremenjene.
- Ta garancija velja v Evropski skupnosti, Švici, Islandiji, na Norveškem, v Lichtenštajnu, v Turčiji in Rusiji. Izven teh območij se obrnite na svojega pooblaščenega posrednika izdelkov RYOBI, dealer ki vam bo povedal, ali velja kakšna druga garancija.

### POOBLAŠČEN SERVISNI CENTER

Pooblaščen servisni center blizu vas poiščite na <http://en.ryobitools.eu/header/service-and-support/service-agents>.

## SK ZÁRUČNÉ PODMIENKY RYOBI®

Na tento výrobok sa okrem všetkých zákonných práv, vyplývajúcich z nákupu, vzťahuje záruka v nasledovnom znení.

- Záručná doba pre spotrebiteľa je 24 mesiacov a začína plynúť odo dňa, kedy bol výrobok zakúpený. Tento dátum musí byť doložený faktúrou alebo iným dokladom o zakúpení. Výrobok je navrhnutý a určený pre spotrebiteľov a ten na súkromné používanie. Preto sa záruka sa neposkytuje v prípade použitia na profesionálne a komerčné účely.
- V prípade elektrického náradia (na striedavý/jednosmerný prúd AC/DC), existuje možnosť predĺženia záručnej doby oproti záručnej dobe, uvedenej vyššie, s využitím on-line registrácie na webovej stránke [www.ryobitools.eu](http://www.ryobitools.eu). Označenie na náradí o nároku na predĺženie záručnej doby je zreteľne uvedené v obchodoch a/alebo na obale a je uvedené v dokumentácii k výrobku. Koncový používateľ musí zaregistrovať svoje novozískané náradie on-line do 30 dní odo dňa nákupu. Koncový používateľ sa môže zaregistrovať na predĺženie záruky v krajine svojho bydliska, ak je v on-line registračnom formulári uvedená táto možnosť. Ďalej musia koncoví používatelia ešte dať svoj súhlas k uchovávaniu údajov, ktoré je potrebné zadať on-line a musia súhlasiť s podmienkami. Potvrdenie o prijatí registrácie, ktoré je zasielané e-mailom a originál faktúry, v ktorej je uvedený dátum nákupu, slúžia ako dôkaz o predĺženej záruke.
- Záruka sa vzťahuje na všetky poruchy výrobku v záručnej dobe, spôsobené chybami materiálů alebo spracovania k dátumu nákupu. Táto záruka je obmedzená na opravu a/alebo výmenu a nezahŕňa ide ďalšie povinnosti, vrátane, okrem iných, náhodné alebo následné škody. Táto záruka je neplatná, ak bol výrobok nesprávne používaný, bol používaný v rozpore s návodom na použitie alebo bol nesprávne zapojený. Táto záruka sa nevzťahuje na:
  - akékoľvek poškodenie výrobku, ktoré bolo spôsobené nesprávnou obsluhou
  - akýkoľvek výrobok, ktorý bol zmenený alebo upravený
  - akýkoľvek výrobok, na ktorom bolo poškodené, upravené alebo odstránené identifikačné označenie (ochranná známka, výrobné číslo)
  - akékoľvek škody, spôsobené nedodržaním návodu na obsluhu
  - akýkoľvek výrobok, ktorý neobsahuje označenie CE
  - akýkoľvek výrobok, ktorý sa pokúšal opraviť nequalifikovaný odborník alebo bol opravovaný bez predchádzajúceho súhlasu zo strany spoločnosti Techtronic Industries.
  - akýkoľvek výrobok, pripojený k nesprávnemu napájaciemu zdroju (ampéry, napätie, frekvencia)
  - akékoľvek poškodenia, spôsobené vonkajšími vplyvmi (chemickými, fyzikálnymi, nárazmi) alebo cudzorodnými látkami
  - bežné opotrebovanie náhradných dielov
  - nevhodné používanie, preťažovanie nástroja
  - používanie neschváleného príslušenstva a dielov
  - príslušenstvo k elektrickému náradiu, dodávané spolu s náradím alebo zakúpené oddelene. Takéto vylúčenia sa vzťahujú, okrem iného, na násady skrutkovačov, vrtáky, brusné kotúče, brusný papier a čepele, bočné vodiace lišty
  - Súčiastky (diely a príslušenstvo), ktoré podliehajú prirodzenému opotrebovaniu, okrem iného súpravy na servis a údržbu, uhličky, ložiská, skľučovadlá, SDS vrtáky a príslušenstvo, príloh alebo prijímanie, napájací kábel, pomocná rukoväť, prepravná skriňa, brusná doska, pracovné vrecko, výfuková trubica, pistené podložky, kolíky a pružiny na rázový ťahačová atď.
- Na opravu musí byť výrobok odoslaný alebo doručený do autorizovaného servisného strediska RYOBI, uvedeného pre každú krajinu v nasledovnom zozname adries servisných stredísk. V niektorých krajinách miestny zástupca RYOBI preberá na seba záväzok zaslať tovar do servisnej organizácie RYOBI. Pri odoslaní výrobku do servisného strediska RYOBI je potrebné výrobok bezpečne zabaliť bez akéhokoľvek nebezpečného obsahu, ako je bencín, s vyznačením adresy odosielateľa, s krátkym popisom poruchy.
- Oprava/výmena je vrámci tejto záruky bezplatná. Neznamená to predĺženie záruky alebo spustenie novej záručnej doby. Vymenené diely alebo nástroje sa stávajú našim vlastníctvom. V niektorých krajinách náklady na odoslanie alebo poštovné musí zaplatiť odosielateľ. Vaše zákonné práva, vyplývajúce z nákupu náradia, zostávajú nedotknuté.
- Táto záruka platí v Európskej únii, Švajčiarsku, Islande, Nórsku, Lichtenštajnsku, Turesku a Rusku. Ak sa nachádzate mimo týchto oblastí, obráťte sa na autorizovaného predajcu RYOBI na určenie, či sa dá uplatniť iná záruka.

### AUTORIZOVANÉ SERVISNÉ CENTRUM

Ak chcete nájsť najbližšie autorizované servisné centrum, navštívte stránku <http://en.ryobitools.eu/header/service-and-support/service-agents>.

## **BG** УСЛОВИЯ ЗА ВАЛИДНОСТ НА ГАРАНЦИЯТА НА RYOBI®

В допълнение към законоустановените права, произтичащи от покупката, този продукт е обхванат от гаранцията, както е изложено по-долу.

- Гаранционният срок е 24 месеца за клиенти и започва да тече от деня на закупуване на продукта. Тази дата трябва да се докаже с фактура или друго доказателство за покупка. Продуктът е изработен и предназначен само за потребителска и лична употреба. Следователно не се дава гаранция в случай на използване от професионалисти или с търговска цел.
- Съществува възможност за удължаване на гаранционния срок за част от диагонален на гаранцията на електрически инструменти (AC/DC) след изтичането на описания тук чрез регистрация на уеб сайта [www.ryobitools.eu](http://www.ryobitools.eu). В магазините и/или на опаковката или вътре в документацията на продукта е показано ясно дали инструментът отговаря на условията за такова удължаване на гаранционния срок. Крайният потребител трябва да регистрира своите новопридобити инструменти онлайн в рамките на 30 дни от датата на покупка. Крайният потребител може да се регистрира за удължена гаранция в държавата си на пребиваване, ако е посочена във формуляра за онлайн регистрация като място, където тази опция е валидна. Освен това крайните потребители трябва да дадат съгласието си за съхранение на данните, които са задължителни за ползване онлайн, и трябва да приемат общите условия. Полученото потвърждение за регистрация, изпратено по електронна поща, и оригиналната фактура, показваща датата на покупка, ще служат като доказателство за удължената гаранция.
- Гаранцията покрива всички дефекти на продукта по време на гаранционния срок, които се дължат на проблеми в изработката или материалите към момента на покупката. Гаранцията е ограничена до ремонт и/или замяна и не включва други задължения, включително, но не само, случайни или косвени щети. Гаранцията е невалидна, ако продуктът е използван неправилно или в противоречие с ръководството с инструкции, както и ако е свързан неправилно. Тази гаранция не важи за:
  - щети по продукта в резултат на неправилна профилактика
  - продукти, които са били изменени или модифицирани
  - продукт, при който оригиналните маркировки за идентификация (търговска марка, серийен номер) са изтрети, променени или премахнати
  - повреда, причинена от неспазване на ръководството с инструкции
  - продукт без CE маркировка
  - продукт, за който е направен опит за ремонт от неквалифициран специалист или без предварително разрешение от Techtronic Industries.
  - продукт, свързан към неподходящо електрозахранване (ампераж, волтаж, честота)
  - щети, причинени от външни влияния (химични, физични, удари) или чужди вещества
  - нормално износване на резервни част
  - неподходяща употреба, претоварване на инструмента
  - използване на неподходящи аксесоари или части
  - Аксесоарите за електрически инструмент са предоставени с инструмента или се кулват отделно. Тези изключения включват, но не само, накрайници за отвертка, свердела, абразивни дискове, шкурка и остриета, страничен водач
  - Компоненти (части и аксесоари), подложени на естествено износване, включително, но не само, комплекти за обслужване и поддръжка, карбонови четки, лагери, патронник, приставка със средло SDS или приемно устройство, захранващ кабел, спомогателна ръкохватка, кутия за транспортиране, шлифовъчна пластина, торба за прах, тръба за отвеждане на прах, филцови шайби, цифрове и пружини за винтоверти и др.
- За обслужване продуктът трябва да се изпрати или занесе на авторизиран сервиз на RYOBI, посочен за всяка държава в следния списък с адреси на сервиси. В някои държави местният търговец на RYOBI поема отговорността да изпрати продукта до сервизен център на RYOBI. При изпращане на продукт до сервиз на RYOBI той трябва да е опакован безопасно без опасно съдържание, напр. бензин, да е маркиран с адреса на подателя и придружен от кратко описание на повредата.
- Ремонтът/замяната по силата на тази гаранция са безплатни. Те не водят до удължаване или подновяване на гаранционния срок. Сменените части или инструменти стават наша собственост. В някои държави таксите за доставка или изпращане трябва да се платят от подателя. Законоустановените ни права, произтичащи от закупуването на инструмента, остават незасегнати.
- Тази гаранция е валидна в Европейската общност, Швейцария, Исландия, Норвегия, Лихтенщайн, Турция и Русия. Извън тези области се свържете с упълномощения търговец на RYOBI, за да се установи дали е приложима друга гаранция.

### УПЪЛНОМОЩЕН СЕРВИЗЕН ЦЕНТЪР

За да намерите упълномощен сервизен център близо до вас, посетете <http://en.ryobitools.eu/header/service-and-support/service-agents>.

## **UK** ГАРАНТИЙНИ УМОВИ ДЛЯ RYOBI®

Окрім загалом установлених законом прав, що стосуються покупки, цей пристрій покривається гарантією, що зазначено нижче.

- Гарантійний період для споживачів складає 24 місяці і починається з моменту придбання цього пристрою. Ця дата повинна бути задокументована у гарантійному талоні або чеку. Цей пристрій був розроблений і призначений тільки для споживчого та приватного використання. У разі професійного або комерційного використання цього пристрою, він втрачає гарантію.
- Існує можливість подовжити гарантійний період для частини лінійки електронструментів (перемінного/постійного струму), понад період описаний вище за допомогою реєстрації на сайті [www.ryobitools.eu](http://www.ryobitools.eu). Пристрої, які мають право на подовження гарантійного періоду, мають чіткі позначки щодо цього в магазинах і / або на упакуванні / та документації до пристрою. Кінцевий користувач повинен зареєструвати його/її новопридбаний пристрій онлайн протягом 30 днів з дати покупки. Кінцевий користувач може зареєструватися для подовження гарантійного періоду в своїй країні постійного перебування, якщо вона є доступною у відповідній опції онлайн форми реєстрації. Крім того, кінцеві користувачі повинні дати свою згоду на зберігання даних, які необхідні для ведення онлайн, а також вони повинні прийняти правила та умови. Отримання підтвердження реєстрації, яке відправляється на адресу електронної пошти, та оригінал гарантійного талона і зазначеною датою покупки буде служити доказом подовженої гарантії.
- Гарантія поширюється на всі дефекти пристрою протягом гарантійного терміну щодо недотримання стандартів виробництва або матеріалів на дату придбання. Гарантія обмежується ремонтом та/або заміною, та не включає в себе будь-яких інших зобов'язань, в тому числі, але не обмежена у разі випадкових та подальших пошкоджень. Гарантія не діє, якщо пристрій використовувався ненадлежащим чином, всупереч інструкції з експлуатації або був неправильно підключений до мережі. Дана гарантія не поширюється на:
  - пристрої, що були пошкоджені у результаті неправильного технічного обслуговування;
  - пристрої, що були видозміннені або модифіковані;
  - пристрої, оригінальні ідентифікаційні (товарний знак, серійний номер) маркування яких було пошкоджене, змінене або видалено;
  - будь-які пошкодження, заподіяні недотриманням інструкції з експлуатації;
  - пристрої, що не мають маркування CE;
  - пристрої, що були відремонтовані некваліфікованим фахівцем або за відсутності попереднього дозволу від Techtronic Industries;
  - пристрої, підключені до невідповідного джерела живлення (сила току, напруження, частота);
  - будь-які пошкодження спричинені зовнішнім впливом (хімічним, фізичним, стрибком напруги) або сторонніми речовинами;
  - нормальну амортизацію запасних частин;
  - невідповідне використання, перевантаження пристрою;
  - використання не підтверджених запасних частин або аксесуарів;
  - приладдя до електронструменту, що постачається разом з пристроєм або купуються окремо. Такі винятки враховують але не є обмеженнями для наконечників викруток, свердел, абразивних дисків, наждачного паперу та лез, бічних напрямних – компоненти(частини та приладдя) з урахуванням нормального зношування, враховуючи, але без обмеження на комплекти профілактики та технічного обслуговування, вугільні шітки, підшипники, патрони, кріплення або прийом SDS свердел, кабелі живлення, додаткові рукоятки, чохла для транспортування, шліфувальні пластини, мішки для збору пилу, трубки виплоху, фітрові кільця, штирі і пружини гайковерту і т.д.
- Для обслуговування, пристрій має бути відправлений або поданий до одного з авторизованих сервісних центрів RYOBI, які перелічені для кожної країни у наступному переліку адрес сервісних центрів. У деяких країнах місцевий дилер RYOBI зобов'язується відправити пристрій до сервісного центру RYOBI. При відправленні пристрою до сервісного центру RYOBI, пристрій має бути надійно упакований без будь-якого небезпечного вмісту, наприклад бензину, з позначеною адресою відправника та супроводжується коротким описом несправності.
- Ремонт / заміна відповідно до цієї гарантії здійснюється безкоштовно. Це не є основою для подовження або початку нового гарантійного періоду. Замінені частини або прилади переходять до власності компанії. У деяких країнах вартість доставки або поштові витрати повинні бути сплачені відправником. Загально встановлені права покупця на пристрій залишаються незмінними.
- Ця гарантія діє в Європейському Союзі, Швейцарії, Ісландії, Норвегії, Лихтенштейні, Туреччині та Росії. За межами цих зон, будь ласка, зверніться до офіційного дилера RYOBI, щоб визначити, чи застосовується інша гарантія.

### АВТОРИЗОВАНІ СЕРВІСНІ ЦЕНТРИ

Для отримання оновленого переліка авторизованих сервісних центрів, відвідайте <http://en.ryobitools.eu/header/service-and-support/service-agents>.

## TR RYOBI® GARANTİ UYGULAMA KOŞULLARI

Alımdan kaynaklanan yasal haklara ek olarak, ürün aşağıda belirtilen garanti kapsamındadır.

1. Tüketiciler için 24 ay olan garanti süresi, ürünün satın alındığı tarihte başlar. Bu tarihin bir fatura ya da alım kanıtıyla belgelenmesi gerekir. Ürün sadece tüketim ve özel kullanım için geliştirilmiş ve adanmıştır. Bu nedenle, profesyonel ya da ticari kullanımlar halinde garanti kapsamı sağlanmaz.
2. Elektrikli el aletlerinin bir bölümü (AC/DC) için [www.ryobitools.eu](http://www.ryobitools.eu) sayfasındaki kayıt işlemini kullanarak garantinin belirtilen süresinin ötesine uzatma imkanı mevcuttur. Aletlerin garanti süresinin uzatılmasına uygun olup olmadığı mağazalarda ve / veya ambalajda açıkça belirtilmiş olup, ürün dokümantasyonunda gösterilir. Son kullanıcının yeni aldığı aletleri satın alma tarihini izleyen 30 gün içinde kaydetmesi gerekir. Son kullanıcı ikamet ettiği ülkede, bu seçeneğin geçerli olduğu çevrimiçi kayıt formunda belirtilmişse, uzatılmış garanti süresi için kayıt yapılabilir. Dahası, son kullanıcıların çevrimiçi giriş için gerekli verilerin kaydedilmesine izin vermek ve hüküm ve koşulları kabul etmelidir. E-posta ile gönderilen kayıt teyit makbuzu ve alım tarihini gösteren orijinal fatura uzatılmış garantinin kanıtı olarak değerlendirilir.
3. Garanti, ürünün alım tarihindeki işçilik ve malzeme kusurları nedeniyle garanti süresi içinde oluşacak bütün arızaları kapsar. Bu garanti onarım ve değiştirilmeyle sınırlı olup, tasadufi ya da dolaylı hasarlar da dahil, ancak bunlarla kısıtlı olmayan başka hiçbir tahahhüd kapsamaz. Garanti, ürünün kötü, kullanıcı kılavuzuna aykırı kullanımıyla ya da yanlış bağlanmış olması halinde geçerli değildir. Bu garanti aşağıdakileri kapsamaz:
  - üründe, yanlış bakımдан kaynaklanan herhangi bir hasar
  - değiştirilmiş ya da modifiye edilmiş herhangi bir ürün
  - orijinal tanıtmış işaretleri (ticari marka, seri numarası) silinmiş, değiştirilmiş ya da kaldırılmış herhangi bir ürün
  - kullanma kılavuzuna uymamaktan kaynaklanmış herhangi bir hasar
  - herhangi bir AT dışı ürün
  - kalifiye olmamış personel tarafından ya da önceden Techtronic Industries onayı alınmadan onarılmış herhangi bir ürün.
  - uygunsuz güç kaynağına (amper, voltaj, frekans) bağlanmış herhangi bir ürün
  - harici etkenlerden (kimyasal, fiziksel, darbe) veya yabancı cisimlerden kaynaklanan her türlü hasar
  - normal aşınır ve yıpranır aksam
  - uygunsuz kullanım, aletin aşırı yüklenmesi
  - onaysız aksesuar veya parça kullanımı
4. Aletle birlikte sağlanmış ya da ayrıca alınmış elektrikli alet aksesuarları, Tornavida uçları, matkap uçları, aşındırıcı diskler, zımpara kağıdı ve bıçakları, yanal kılavuz gibi aksesuarı içeren, ancak bunlarla sınırlı olmayan eklentiler
5. Servis ve Bakım kitiyle, kömür fırçalar, yataklar, kovanlar, SDS matkap ucu bağlantısı ya da yuvaları, güç kablosu, yedek tutamak, nakliye ve taşıma kutusu, kuşlama plakası, toz torbası, toz egzoz borusu, keçe rondelalar, Darbeli Tornavida Pim ve yayları vb. gibi parçaları kapsayan, ancak bunlarla sınırlı olmayan, aşınma ve yıpranmaya tabi bileşenler (aksam ve aksesuarlar).
4. Ürünün servis için her ülkede aşağıdaki servis istasyonları adres listesinde yer alan yetkili bir RYOBI servis istasyonuna gönderilmesi ya götürülmesi gereklidir. Bazı ülkelerde, yerel RYOBI distribütörünüz ürünü RYOBI servis tesisine göndermeyi üstlenir. Bir ürün bir RYOBI servis istasyonuna gönderilirse, ürünün güvenli bir biçimde ambalajlanması, benzin gibi tehlikeli maddeler içermemesi, gönderinen adresini taşıması ve arızanın kısa bir açıklamasını içermesi gerekir.
5. Bu garanti kapsamında yapılacak onarım / değişiklik ücretsizdir. Garanti süresinin uzatılması ya da yeniden başlatılması anlamına gelmez. Değiştirilmiş parçalar veya aletler bize ait olur. Bazı ülkelerde teslimat ücretleri veya posta giderlerini gönderici tarafından ödenmesi gerekir. Alımdan kaynaklanan yasal haklarınız etkilenmez
6. Bu Garanti Avrupa Topluluğu, İsviçre, İzlanda, Norveç, Liechtenstein, Türkiye ve Rusya'da geçerlidir. Bu alanların dışında, başka bir garantinin geçerli olup olmadığını belirlemek için lütfen yetkili RYOBI distribütörünüzle irtibata geçin.

### YETKİLİ SERVIS MERKEZİ

En yakın yetkili servis merkezini öğrenmek için <http://en.ryobitools.eu/header/service-and-support/service-agents> sitesine girin.

## EL ΟΡΟΙ ΕΦΑΡΜΟΓΗΣ ΤΩΝ ΠΡΟΫΠΟΘΕΣΩΝ ΕΓΓΥΗΣΗΣ ΤΗΣ RYOBI®

Εκτός από τα νόμιμα δικαιώματα, τα οποία προκύπτουν από την αγορά, το προϊόν καλύπτεται από εγγύηση, λεπτομέρειες της οποίας ακολουθούν στη συνέχεια.

1. Η διάρκεια της εγγύησης για τους καταναλωτές είναι 24 μήνες και αρχίζει από την ημερομηνία αγοράς. Η ημερομηνία θα πρέπει να αναγράφεται στην απόδειξη ή σε άλλο αποδεικτικό αγοράς. Το προϊόν έχει σχεδιαστεί και προορίζεται αποκλειστικά για οικιακή χρήση από καταναλωτές. Συνεπώς, δεν παρέχεται εγγύηση σε περίπτωση επαγγελματικής ή εμπορικής χρήσης.
2. Υπάρχει η δυνατότητα επέκτασης της εγγύησης για ορισμένα ηλεκτρικά εργαλεία (AC/DC), πέραν του παραπάνω αναφερόμενου χρονικού διαστήματος, μέσω εγγραφής στο δικτυακό τόπο [www.ryobitools.eu](http://www.ryobitools.eu). Η επλεξιμότητα των εργαλείων με δυνατότητα επέκτασης της περιόδου εγγύησης αναγράφεται ρητά στα καταστήματα και/ή επάνω στη συσκευασία, ενώ περιέχεται στην τεκμηρίωση του προϊόντος. Το τελικός χρήστης θα πρέπει να καταχωρήσει το προσωπικό αποκτηθέντα εργαλείο online, εντός 30 ημερών από την ημερομηνία αγοράς. Ο τελικός χρήστης μπορεί να εγγραφεί για την επέκταση εγγύησης στη χώρα κατοικίας, εφόσον αυτή περιλαμβάνεται στο online έντυπο εγγραφής, εάν υπάρχει η δυνατότητα επέκτασης. Επιπλέον, οι τελικοί χρήστες θα πρέπει να παρέχουν τη συγκατάθεσή τους για την αποθήκευση των στοιχείων τους, τα οποία οφείλουν να καταχωρούνται online, όπως και να αποθηκεύονται του όρους και τις προϋποθέσεις. Η απόδειξη επιβεβαίωσης της εγγραφής, η οποία αποστέλλεται μέσω email, και η πρωτότυπη απόδειξη αγοράς, η οποία αναγράφεται στην ημερομηνία αγοράς, αποτελούν αποδεικτικά της παρατεταμένης εγγύησης.
3. Η εγγύηση καλύπτει όλα τα ελαττώματα του προϊόντος, κατά τη διάρκεια της περιόδου εγγύησης, λόγω κατασκευαστικών ελαττωμάτων ή αστοχίας υλικού κατά την ημερομηνία αγοράς. Η εγγύηση περιορίζεται στην επισκευή και/ή την αντικατάσταση και δεν περιλαμβάνει καμία άλλη υποχρέωση, συμπεριλαμβανομένων, ενδεικτικά, συμπληρωματικών ή παρεπόμενων ζημιών. Η εγγύηση δεν ισχύει εφόσον, έχει σημειωθεί κακομεταχείριση του προϊόντος, δεν έχουν τηρηθεί οι οδηγίες που εγχειρίδιο οδηγιών ή το προϊόν έχει συνδεθεί λανθασμένα. Η εγγύηση δεν ισχύει για:
  - οποιαδήποτε ζημία στο προϊόν, η οποία είναι αποτέλεσμα κακής συντήρησης
  - οποιοδήποτε προϊόν, το οποίο έχει αλλοιωθεί ή τροποποιηθεί
  - οποιοδήποτε προϊόν, στο οποίο έχει αλλοιωθεί, τροποποιηθεί ή αφαιρεθεί το γνήσιο αναγνωριστικό (σήμα κατατεθέν, σειριακός αριθμός)
  - οποιαδήποτε ζημία προκλήθει λόγω μη τήρησης του εγχειριδίου οδηγιών
  - οποιοδήποτε προϊόν χωρίς σήμανση CE
  - οποιοδήποτε προϊόν, στο οποίο έχει γίνει προσπάθεια επισκευής από μη καταρτισμένο επαγγελματία ή χωρίς την προηγούμενη έγκριση της Techtronic Industries.
  - οποιοδήποτε προϊόν, το οποίο έχει συνδεθεί σε ακατάλληλη παροχή ρεύματος (αμπερ, ισχύ, συχνότητα)
  - οποιαδήποτε ζημία έχει προκληθεί από εξωτερικές επιδράσεις (χημικές, φυσικές, κλιματιομετρικές) ή ξένες ουσίες
  - φυσιολογική φθορά και ρήξη ανταλλακτικών
  - ακατάλληλη χρήση, υπερφόρτωση του εργαλείου
  - χρήση μη ενδεδειγμένων εξαρτημάτων ή ανταλλακτικών
  - Εξαρτήματα ηλεκτρικών εργαλείων που παρασχεθήκαν με το εργαλείο ή αγοράστηκαν ξεχωριστά. Τέτοιες εξαρτήματα περιλαμβάνουν, ενδεικτικά, μύτες καταρσίδια, τρυπάνια, δίσκους λείανσης, γυαλόχαρτο και λεπίδες, πλευρικό οδηγό
  - Εξαρτήματα (ανταλλακτικά και αξεσουάρ) που υποκείμενα σε φυσική φθορά και θραύση, συμπεριλαμβανομένων, ενδεικτικά, σε επισκευές & συντήρησης, ψηκτρών άνθρακα, εφεδράνων, τσοκ, εξαρτημάτων ή υποδοχών τρυπανιών SDS, καλωδίων ισχύος, βοηθητικής λαβής, βαλβίδας μεταφοράς, βάσης τριβείου, σκαουλής συλλογής σκόνης, σωλήνα εξαναγκαστικής σκόνης, ροδελών τόδρας, μυτών και ελατηρίων κροστικού κελυφού κοχλιών, κτλ.
4. Το προϊόν θα πρέπει να αποσταλεί ή να παραδοθεί για επισκευή ή συντήρηση σε εξουσιοδοτημένο σημείο σέρβις της RYOBI που περιλαμβάνεται στον ακόλουθο κατάλογο διευθύνσεων για κάθε χώρα. Σε ορισμένες χώρες, το τοπικό σημείο πώλησης της RYOBI αναλαμβάνει την αποστολή του προϊόντος στο κεντρικό σέρβις της RYOBI. Κατά την αποστολή ενός προϊόντος σε σημείο σέρβις της RYOBI, αυτό θα πρέπει να είναι ασφαλισμένο συσκευασμένο, χωρίς επικίνδυνα περιεχόμενο, όπως, πετρέλαιο, να φέρει τη διευθύνση του αποστολέα και να συνοδεύεται από σύντομη περιγραφή της βλάβης.
5. Η επιδιόρθωση / αντικατάσταση υπό την παρουσία εγγύησης παρέχεται δωρεάν. Δε συνιστά παράταση της περιόδου εγγύησης ή εκκίνηση νέας περιόδου εγγύησης. Τα μέρη που αντικαθίστανται περιέχονται στην κυριότητα μας. Σε ορισμένες χώρες, τα ενδεχόμενα έξοδα παραδοσης ή μεταφοράς βερνικιών του αποστολέα. Τα νόμιμα δικαιώματά σας, τα οποία απορρέουν από την αγορά του εργαλείου, δεν θίγονται.
6. Η παρούσα εγγύηση ισχύει στην Ευρωπαϊκή Κοινότητα, την Ελβετία, την Ισπανία, τη Νορβηγία, το Λιχτενστάιν, την Τουρκία και την Ρωσία. Εκτός των παραπάνω περιοχών, σας παρακαλούμε να επικοινωνήσετε με εξουσιοδοτημένο κατάστημα πώλησης της RYOBI, προκειμένου να διαπιστωθεί ένα ισχύει κάποια άλλη εγγύηση.

### ΕΞΟΥΣΙΟΔΟΤΗΜΕΝΟ ΚΕΝΤΡΟ ΣΕΡΒΙΣ

Για να εντοπίσετε ένα εξουσιοδοτημένο κέντρο σέρβις στην περιοχή σας, επισκεφτείτε τη σελίδα <http://en.ryobitools.eu/header/service-and-support/service-agents>.



## EN Declaration of conformity

Techtronic Industries GmbH  
Max-Eyth-Straße 10, 71364 Winnenden, Germany

Herewith we declare that the product  
18 V Sliding compound mitre saw  
Brand: RYOBI  
Model number: R18MS216  
Serial number range: 46247901000001 - 46247901999999

is in conformity with the following European Directives and harmonised standards  
2006/42/EC, 2014/30/EU, 2011/65/EU  
EN 55014-1:2006+A1:2009+A2:2011; EN 55014-2:2015;  
EN 62841-1:2015; EN 62841-3-9:2015

RoHS documentation is compiled according to EN 50581:2012

Andrew John Eyre (BEng, CEng, MIET)  
Vice President, Regulatory & Safety  
Winnenden, Jan. 31, 2018

Authorised to compile the technical file:  
Alexander Krug, Managing Director  
Techtronic Industries GmbH  
Max-Eyth-Straße 10, 71364 Winnenden, Germany

## ES Declaración de conformidad

Techtronic Industries GmbH  
Max-Eyth-Straße 10, 71364 Winnenden, Germany

Por la presente declaramos que los productos  
Sierra ingletadora compuesta deslizante de 18 V  
Marca: RYOBI  
Número de modelo: R18MS216  
Intervalo del número de serie: 46247901000001 - 46247901999999

se encuentra en conformidad con las siguientes Directivas Europeas y normas armonizadas  
2006/42/EC, 2014/30/EU, 2011/65/EU  
EN 55014-1:2006+A1:2009+A2:2011; EN 55014-2:2015;  
EN 62841-1:2015; EN 62841-3-9:2015

Documentación sobre restricción de sustancias peligrosas (RoHS) recopilada según la norma EN 50581:2012

Andrew John Eyre (BEng, CEng, MIET)  
Vicepresidente, Director General de Normativa y Seguridad  
Winnenden, Jan. 31, 2018

Autorizado para elaborar la ficha técnica:  
Alexander Krug, Administrador Ejecutivo  
Techtronic Industries GmbH  
Max-Eyth-Straße 10, 71364 Winnenden, Germany

## FR Déclaration de conformité

Techtronic Industries GmbH  
Max-Eyth-Straße 10, 71364 Winnenden, Germany

Déclarons par la présente que le produit  
Scie à Onglet Radiale Combinée de 18 V  
Marque: RYOBI  
Numéro de modèle: R18MS216  
Étendue des numéros de série: 46247901000001 - 46247901999999

est conforme aux Directives Européennes et Normes Harmonisées suivantes  
2006/42/EC, 2014/30/EU, 2011/65/EU  
EN 55014-1:2006+A1:2009+A2:2011; EN 55014-2:2015;  
EN 62841-1:2015; EN 62841-3-9:2015

La documentation RoHS a été dressée d'après EN 50581:2012

Andrew John Eyre (BEng, CEng, MIET)  
Vice-Président, Réglementation & Sécurité  
Winnenden, Jan. 31, 2018

Autorisé à rédiger le dossier technique:  
Alexander Krug, Directeur Général  
Techtronic Industries GmbH  
Max-Eyth-Straße 10, 71364 Winnenden, Germany

## IT Dichiarazione di conformità

Techtronic Industries GmbH  
Max-Eyth-Straße 10, 71364 Winnenden, Germany

Si dichiara con la presente che il prodotto  
Motosega angolare composta a scorrimento 18 V  
Marca: RYOBI  
Numero modello: R18MS216  
Gamma numero seriale: 46247901000001 - 46247901999999

è conforme alle seguenti Direttive Europee e ai seguenti standard armonizzati  
2006/42/EC, 2014/30/EU, 2011/65/EU  
EN 55014-1:2006+A1:2009+A2:2011; EN 55014-2:2015;  
EN 62841-1:2015; EN 62841-3-9:2015

La documentazione RoHS è stata compilata come indicato dalle norme EN 50581:2012

Andrew John Eyre (BEng, CEng, MIET)  
Vice-Presidente, Dipartimento Regolazioni e Sicurezza  
Winnenden, Jan. 31, 2018

Autorizzato per compilare il file tecnico:  
Alexander Krug, Direttore Amministrativo  
Techtronic Industries GmbH  
Max-Eyth-Straße 10, 71364 Winnenden, Germany

## DE Konformitätserklärung

Techtronic Industries GmbH  
Max-Eyth-Straße 10, 71364 Winnenden, Germany

Hiermit erklären wir, dass die Produkte  
18 V Gehrungskappsäge  
Marke: RYOBI  
Modellnummer: R18MS216  
Seriennummernbereich: 46247901000001 - 46247901999999

den folgenden europäischen Richtlinien und harmonisierten Normen entspricht  
2006/42/EC, 2014/30/EU, 2011/65/EU  
EN 55014-1:2006+A1:2009+A2:2011; EN 55014-2:2015;  
EN 62841-1:2015; EN 62841-3-9:2015

RoHS Dokumentation ist gemäß EN 50581:2012 zusammengestellt

Andrew John Eyre (BEng, CEng, MIET)  
Vizepräsident, Vorschriften und Sicherheit  
Winnenden, Jan. 31, 2018

Autorisiert die technische Datei zu erstellen:  
Alexander Krug, Geschäftsführer  
Techtronic Industries GmbH  
Max-Eyth-Straße 10, 71364 Winnenden, Germany

## NL Conformiteitsverklaring

Techtronic Industries GmbH  
Max-Eyth-Straße 10, 71364 Winnenden, Germany

Hierbij verklaren wij dat het product  
18 V verstekzaagmachine  
Merk: RYOBI  
Modelnummer: R18MS216  
Seriennummervereik: 46247901000001 - 46247901999999

is in overeenstemming met de volgende Europese Richtlijnen en geharmoniseerde normen

2006/42/EC, 2014/30/EU, 2011/65/EU  
EN 55014-1:2006+A1:2009+A2:2011; EN 55014-2:2015;  
EN 62841-1:2015; EN 62841-3-9:2015

RoHS-documentatie is samengesteld in overeenstemming met EN 50581:2012

Andrew John Eyre (BEng, CEng, MIET)  
Vice-president, Regelgeving en Veiligheid  
Winnenden, Jan. 31, 2018

Afgevaardigde voor het samenstellen van de technische fiche:  
Alexander Krug, Directeur  
Techtronic Industries GmbH  
Max-Eyth-Straße 10, 71364 Winnenden, Germany



**PT Declaração de conformidade**

Techtronic Industries GmbH  
Max-Eyth-Straße 10, 71364 Winnenden, Germany

Pelo presente declaramos que os produtos  
Serra Combinada com Deslize de 18V  
Marca: RYOBI  
Número do modelo: R18MS216  
Intervalo do número de série: 46247901000001 - 46247901999999

se encontra em conformidade com as seguintes Directivas Europeias e normas harmonizadas

2006/42/EC, 2014/30/EU, 2011/65/EU  
EN 55014-1:2006+A1:2009+A2:2011; EN 55014-2:2015;  
EN 62841-1:2015; EN 62841-3-9:2015

Documentação sobre restrição de substâncias perigosas (RoHS) compilada segundo a norma EN 50581:2012

Andrew John Eyre (BEng, CEng, MIET)  
Vice-Presidente, Regulação & Segurança  
Winnenden, Jan. 31, 2018

Autorizado para compilar o ficheiro técnico:  
Alexander Krug, Administrador Executivo  
Techtronic Industries GmbH  
Max-Eyth-Straße 10, 71364 Winnenden, Germany

**DA Overensstemmelseserklæring**

Techtronic Industries GmbH  
Max-Eyth-Straße 10, 71364 Winnenden, Germany

Vi erklærer hermed, at produktet  
18 V Glidende kap- og geringssav  
Brand: RYOBI  
Modelnummer: R18MS216  
Serienummerområde: 46247901000001 - 46247901999999

er i overensstemmelse med følgende EU-direktiver og harmoniserede standarder

2006/42/EC, 2014/30/EU, 2011/65/EU  
EN 55014-1:2006+A1:2009+A2:2011; EN 55014-2:2015;  
EN 62841-1:2015; EN 62841-3-9:2015

RoHS-dokumentationen er udarbejdet i henhold til EN 50581:2012

Andrew John Eyre (BEng, CEng, MIET)  
Vicepræsident, Regler og Sikkerhed  
Winnenden, Jan. 31, 2018

Bemyndiget til at udarbejde det tekniske kartotek:  
Alexander Krug, Administrerende Direktør  
Techtronic Industries GmbH  
Max-Eyth-Straße 10, 71364 Winnenden, Germany

**SV Konformitetsdeklaration**

Techtronic Industries GmbH  
Max-Eyth-Straße 10, 71364 Winnenden, Germany

Härmed deklarerar vi att produkterna  
18 V Skjutbar kap- och geringssåg  
Märke: RYOBI  
Modellnummer: R18MS216  
Serienummerintervall: 46247901000001 - 46247901999999

är i enlighet med följande EU-direktiv och harmoniserade standarder

2006/42/EC, 2014/30/EU, 2011/65/EU  
EN 55014-1:2006+A1:2009+A2:2011; EN 55014-2:2015;  
EN 62841-1:2015; EN 62841-3-9:2015

RoHS-dokumentation sammanställd enligt EN 50581:2012

Andrew John Eyre (BEng, CEng, MIET)  
Vice President, Regelverk och Säkerhet  
Winnenden, Jan. 31, 2018

Godkänd att sammanställa den tekniska filen:  
Alexander Krug, VD  
Techtronic Industries GmbH  
Max-Eyth-Straße 10, 71364 Winnenden, Germany

**FI Säännösten noudattaminen**

Techtronic Industries GmbH  
Max-Eyth-Straße 10, 71364 Winnenden, Germany

Ilmoitamme täten, että tuotteet  
18 V Liukuva yhdistelmäviistesaha  
Tuotemerkki: RYOBI  
Mallinumero: R18MS216  
Sarjanumeroalue: 46247901000001 - 46247901999999

noudattaa seuraavia EU-direktiivejä ja harmonoituja standardeja

2006/42/EC, 2014/30/EU, 2011/65/EU  
EN 55014-1:2006+A1:2009+A2:2011; EN 55014-2:2015;  
EN 62841-1:2015; EN 62841-3-9:2015

RoHS-dokumentaatio on koottu standardin EN 50581:2012 mukaisesti

Andrew John Eyre (BEng, CEng, MIET)  
Varatoimitusjohtaja, Säästöstenmukaisuus ja Turvallisuus  
Winnenden, Jan. 31, 2018

Valtuutettu kokoamaan tekninen tiedosto:  
Alexander Krug, Toimitusjohtaja  
Techtronic Industries GmbH  
Max-Eyth-Straße 10, 71364 Winnenden, Germany

**NO Samsvarserklæring**

Techtronic Industries GmbH  
Max-Eyth-Straße 10, 71364 Winnenden, Germany

Herved erklærer vi at produktet  
18 V glidende kombinert gjæresag  
Merke: RYOBI  
Modellnummer: R18MS216  
Serienummerserie: 46247901000001 - 46247901999999

er i samsvar med følgende europeiske direktiver og harmoniserte standarder

2006/42/EC, 2014/30/EU, 2011/65/EU  
EN 55014-1:2006+A1:2009+A2:2011; EN 55014-2:2015;  
EN 62841-1:2015; EN 62841-3-9:2015

RoHS dokumentasjonen er skrevet i samsvar med EN 50581:2012

Andrew John Eyre (BEng, CEng, MIET)  
Visepresident, Forskrifter og Sikkerhet  
Winnenden, Jan. 31, 2018

Autorisert til å sette sammen den tekniske filen:  
Alexander Krug, Administrerende Direktør  
Techtronic Industries GmbH  
Max-Eyth-Straße 10, 71364 Winnenden, Germany

**RU Заявление о соответствии требованиям стандартов**

Techtronic Industries GmbH  
Max-Eyth-Straße 10, 71364 Winnenden, Germany

Настоящим мы заявляем, что данный продукт  
Комбинированная подвижная торцово-усовочная пила 18В  
Марка: RYOBI  
Номер модели: R18MS216  
Диапазон заводских номеров: 46247901000001 - 46247901999999

соответствует требованиям следующих Директив ЕС и согласованных стандартов

2006/42/EC, 2014/30/EU, 2011/65/EU  
EN 55014-1:2006+A1:2009+A2:2011; EN 55014-2:2015;  
EN 62841-1:2015; EN 62841-3-9:2015

Документация RoHS соответствует стандарту EN 50581:2012

Andrew John Eyre (BEng, CEng, MIET)  
Вице-Президент По Технике Безопасности И Стандартам  
Winnenden, Jan. 31, 2018

Лицо, ответственное за подготовку технической документации:  
Alexander Krug, Директор  
Techtronic Industries GmbH  
Max-Eyth-Straße 10, 71364 Winnenden, Germany

**(PL) Deklaracja zgodności**

Techtronic Industries GmbH  
Max-Eyth-Straße 10, 71364 Winnenden, Germany

Niniejszym deklarujemy, że produkty  
Płarka stolowa - ukośnica 18 V  
Marka: RYOBI  
Numer modelu: R18MS216  
Zakres numerów seryjnych: 46247901000001 - 46247901999999

jest zgodny z następującymi dyrektywami europejskimi i zharmonizowanymi normami  
2006/42/EC, 2014/30/EU, 2011/65/EU  
EN 55014-1:2006+A1:2009+A2:2011; EN 55014-2:2015;  
EN 62841-1:2015; EN 62841-3-9:2015

Dokumentacja RoHS została opracowana zgodnie z normą EN 50581:2012

Andrew John Eyre (BEng, CEng, MIET)  
Wiceprezes ds. Zgodności Prawnej i Bezpieczeństwa  
Winnenden, Jan. 31, 2018

**CE**

Osoba upoważniona do sporządzenia dokumentu technicznego:  
Alexander Krug, Dyrektor Zarządzający  
Techtronic Industries GmbH  
Max-Eyth-Straße 10, 71364 Winnenden, Germany

**(RO) Declarație de conformitate**

Techtronic Industries GmbH  
Max-Eyth-Straße 10, 71364 Winnenden, Germany

Prin prezenta, declarăm că produsele  
Gilsarea ferăstrăului unghiular combinat de 18V  
Marca: RYOBI  
Număr serie: R18MS216  
Gamă număr serie: 46247901000001 - 46247901999999

este în conformitate cu următoarele Directive Europene și standarde armonizate  
2006/42/EC, 2014/30/EU, 2011/65/EU  
EN 55014-1:2006+A1:2009+A2:2011; EN 55014-2:2015;  
EN 62841-1:2015; EN 62841-3-9:2015

Documentația RoHS este întocmită în conformitate cu EN 50581:2012

Andrew John Eyre (BEng, CEng, MIET)  
Vicepreședinte, Reglementare & Siguranță  
Winnenden, Jan. 31, 2018

**CE**

Autorizat să completeze fișa tehnică:  
Alexander Krug, Director General  
Techtronic Industries GmbH  
Max-Eyth-Straße 10, 71364 Winnenden, Germany

**(CS) Prohlášení o shodě**

Techtronic Industries GmbH  
Max-Eyth-Straße 10, 71364 Winnenden, Germany

Tímto prohlašujeme, že výrobky  
18Voltová posuvná pokosová pila pro složené fezy  
Značka: RYOBI  
Číslo modelu: R18MS216  
Rozsah sériových čísel: 46247901000001 - 46247901999999

že tento výrobek je v souladu s evropskými a harmonizovanými standardy  
2006/42/EC, 2014/30/EU, 2011/65/EU  
EN 55014-1:2006+A1:2009+A2:2011; EN 55014-2:2015;  
EN 62841-1:2015; EN 62841-3-9:2015.

RoHS dokumentace sestavena dle EN 50581:2012

Andrew John Eyre (BEng, CEng, MIET)  
Viceprezident, Normy a Bezpečnost  
Winnenden, Jan. 31, 2018

**CE**

Pověření ke kompilaci technického souboru:  
Alexander Krug, Generální Ředitel  
Techtronic Industries GmbH  
Max-Eyth-Straße 10, 71364 Winnenden, Germany

**(LV) Atbilstības deklarācija**

Techtronic Industries GmbH  
Max-Eyth-Straße 10, 71364 Winnenden, Germany

Ar šo paziņojam, ka produkti  
18 V leņķzāģa slidošais savienojums  
Modeļa numurs: R18MS216  
Zīmols: RYOBI  
Sērijas numura intervāls: 46247901000001 - 46247901999999

atbilst šādām Eiropas direktīvām un saskaņotajiem standartiem  
2006/42/EC, 2014/30/EU, 2011/65/EU  
EN 55014-1:2006+A1:2009+A2:2011; EN 55014-2:2015;  
EN 62841-1:2015; EN 62841-3-9:2015

RoHS dokumentācija ir izstrādāta saskaņā ar EN 50581:2012

Andrew John Eyre (BEng, CEng, MIET)  
Viceprezidents, Darba Drošības Noteikumi  
Winnenden, Jan. 31, 2018

**CE**

Pilnvarots sastādīt tehnisko failu:  
Alexander Krug, Izpilddirektors  
Techtronic Industries GmbH  
Max-Eyth-Straße 10, 71364 Winnenden, Germany

**(HU) Megfelelőségi nyilatkozat**

Techtronic Industries GmbH  
Max-Eyth-Straße 10, 71364 Winnenden, Germany

Ezúton kijelentjük, hogy a termék  
18 V-os csúszó kombinált gérvágó fűrész  
Márka: RYOBI  
Típuszám: R18MS216  
Sorozatszám tartomány: 46247901000001 - 46247901999999

megfelel az alábbi Európai Irányelvek és harmonizált szabványok vonatkozó rendelkezésének

2006/42/EC, 2014/30/EU, 2011/65/EU  
EN 55014-1:2006+A1:2009+A2:2011; EN 55014-2:2015;  
EN 62841-1:2015; EN 62841-3-9:2015

A RoHS dokumentáció összeállítására az EN 50581:2012 szerint történt

Andrew John Eyre (BEng, CEng, MIET)  
Alelnök, Megfelelőségi és Biztonsági Területek  
Winnenden, Jan. 31, 2018

**CE**

A műszaki dokumentáció összeállítására felhatalmazott:  
Alexander Krug, Ügyvezető Igazgató  
Techtronic Industries GmbH  
Max-Eyth-Straße 10, 71364 Winnenden, Germany

**(LT) Atitikties pareiškimas**

Techtronic Industries GmbH  
Max-Eyth-Straße 10, 71364 Winnenden, Germany

Mes pareiškiamo, kad šie produktai  
18 V sudurtinio pjovimo pjūklas su kreiptuvu  
Prekės ženklas: RYOBI  
Modelio numeris: R18MS216  
Serijinio numerio diapazonas: 46247901000001 - 46247901999999

pagamintas laikantis toliau nurodytųjų Europos Direktyvų ir darniųjų standartų  
2006/42/EC, 2014/30/EU, 2011/65/EU  
EN 55014-1:2006+A1:2009+A2:2011; EN 55014-2:2015;  
EN 62841-1:2015; EN 62841-3-9:2015

Tam tikrų pavojingų medžiagų naudojimo elektros ir elektroninėje įrangoje apribojimo dokumentai sudaryti pagal standartą EN 50581:2012

Andrew John Eyre (BEng, CEng, MIET)  
Kontrolės Ir Saugos Viceprezidentas  
Winnenden, Jan. 31, 2018

**CE**

Igaliotas sudaryti techninį failą:  
Alexander Krug, Generalinis Direktorius  
Techtronic Industries GmbH  
Max-Eyth-Straße 10, 71364 Winnenden, Germany



**(ET) Vastavusdeklaratsioon**

Techtronic Industries GmbH  
Max-Eyth-Straße 10, 71364 Winnenden, Germany

Kinnitame, et see toode

Uletõmmatav kombineeritud kaldlõikesaag, 18 V  
Mark: RYOBI  
Mudelil number: R18MS216  
Seerianumbri vahemik: 46247901000001 - 46247901999999

vastab järgmistele Euroopa direktiividele ja harmoniseeritud standarditele  
2006/42/EC, 2014/30/EU, 2011/65/EU  
EN 55014-1-2:2006+A1:2009+A2:2011; EN 55014-2:2015;  
EN 62841-1-2015; EN 62841-3-9:2015

RoHS dokumendid on koostatud vastavuses standardi EN 50581:2012 nõuetele.



Andrew John Eyre (BEng, CEng, MIET)  
Asepresident Standardiseerimise Ja Ohutuse Alal  
Winnenden, Jan. 31, 2018

Tehnilise faili koostamiseks volitatud isik:  
Alexander Krug, Tegevdirektor  
Techtronic Industries GmbH  
Max-Eyth-Straße 10, 71364 Winnenden, Germany

**(SK) Prehlásenie o zhode**

Techtronic Industries GmbH  
Max-Eyth-Straße 10, 71364 Winnenden, Germany

Týmto vyhlasujeme, že výrobok

18V rozbrusovačka s posuvným prvkom  
Značka: RYOBI  
Číslo modelu: R18MS216  
Rozsah sériových čísel: 46247901000001 - 46247901999999

je v súlade s nasledujúcimi Európskymi smernicami a harmonizovanými normami  
2006/42/EC, 2014/30/EU, 2011/65/EU  
EN 55014-1-2:2006+A1:2009+A2:2011; EN 55014-2:2015;  
EN 62841-1-2015; EN 62841-3-9:2015  
Dokumentácia RoHS je zostavená podľa EN 50581:2012



Andrew John Eyre (BEng, CEng, MIET)  
Viceprezident, Regulácia a Bezpečnosť  
Winnenden, Jan. 31, 2018

Oprávnená osoba na zostavenie technického súboru:  
Alexander Krug, Generálny Riaditeľ  
Techtronic Industries GmbH  
Max-Eyth-Straße 10, 71364 Winnenden, Germany

**(HR) Izjava o uskladenosti**


Techtronic Industries GmbH  
Max-Eyth-Straße 10, 71364 Winnenden, Germany

Ovime izjavljujemo da su proizvodi

Pomaknite sklop kutne pila od 18V  
Marka: RYOBI  
Broj modela: R18MS216  
Raspon serijskog broja: 46247901000001 - 46247901999999

usklađeni sa sljedećim Europskim Direktivama i usklađenim normama  
2006/42/EC, 2014/30/EU, 2011/65/EU  
EN 55014-1-2:2006+A1:2009+A2:2011; EN 55014-2:2015;  
EN 62841-1-2015; EN 62841-3-9:2015

RoHS dokumentacija sukladna je EN 50581:2012



Andrew John Eyre (BEng, CEng, MIET)  
Potpredsjednik za Pravila i Sigurnost  
Winnenden, Jan. 31, 2018

Ovlašten da sastavi tehničku datoteku:  
Alexander Krug, Direktor Upravljanja  
Techtronic Industries GmbH  
Max-Eyth-Straße 10, 71364 Winnenden, Germany

**(BG) Декларация за съответствие**

Techtronic Industries GmbH  
Max-Eyth-Straße 10, 71364 Winnenden, Germany

Настоящото декларираме, че продуктите

Плъггащ се циркуляр за смесени рязания под ъгъл, 18 V  
Марка: RYOBI  
Номер на модела: R18MS216  
Обхват на серийни номера: 46247901000001 - 46247901999999

отговаря на следните директиви на ЕС и хармонизирани стандарти  
2006/42/EC, 2014/30/EU, 2011/65/EU  
EN 55014-1-2:2006+A1:2009+A2:2011; EN 55014-2:2015;  
EN 62841-1-2015; EN 62841-3-9:2015

Документацията за RoHS е съставена в съответствие с EN 50581:2012.



Andrew John Eyre (BEng, CEng, MIET)  
Вицепрезидент, Правни Услуги И Безопасност  
Winnenden, Jan. 31, 2018

Упълномощено лице за съставяне на техническия файл:  
Alexander Krug, Изпълнителен Директор  
Techtronic Industries GmbH  
Max-Eyth-Straße 10, 71364 Winnenden, Germany

**(SL) Izjava o skladnosti**

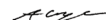
Techtronic Industries GmbH  
Max-Eyth-Straße 10, 71364 Winnenden, Germany

Izjavljamo, da je izdelek

18V Pogrezna poševna krožna žaga  
Znamka: RYOBI  
Številka modela: R18MS216  
Razpon serijskih števil: 46247901000001 - 46247901999999

v skladu s sledečimi evropskimi direktivami in harmoniziranimi standardi  
2006/42/EC, 2014/30/EU, 2011/65/EU  
EN 55014-1-2:2006+A1:2009+A2:2011; EN 55014-2:2015;  
EN 62841-1-2015; EN 62841-3-9:2015

Dokumentacija RoHS je sestavljena skladno s standardom EN 50581:2012



Andrew John Eyre (BEng, CEng, MIET)  
Podpredsednik, Zakonodajne In Varnostne Zadeve  
Winnenden, Jan. 31, 2018

Pooblaščen oseba za sestavo tehnične dokumentacije:  
Alexander Krug, Izvršni Direktor  
Techtronic Industries GmbH  
Max-Eyth-Straße 10, 71364 Winnenden, Germany

**(UK) Декларация про відповідність**

Techtronic Industries GmbH  
Max-Eyth-Straße 10, 71364 Winnenden, Germany

При цьому ми заявляємо, що продукт

Розсувна комбінована торцювальна пила 18В  
Марка: RYOBI  
Номер моделі: R18MS216  
Діапазон серійного номеру: 46247901000001 - 46247901999999

у відповідності з наступними європейськими директивами та гармонізованими стандартами  
2006/42/EC, 2014/30/EU, 2011/65/EU  
EN 55014-1-2:2006+A1:2009+A2:2011; EN 55014-2:2015;  
EN 62841-1-2015; EN 62841-3-9:2015

Документація RoHS складена відповідно до EN 50581:2012



Andrew John Eyre (BEng, CEng, MIET)  
Віце-президент, регулювання і безпека  
Winnenden, Jan. 31, 2018

Дозвіл на складання технічного файлу:  
Alexander Krug, Керуючий директором  
Techtronic Industries GmbH  
Max-Eyth-Straße 10, 71364 Winnenden, Germany



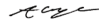


**TR** Uygunluk beyanı

Techtronic Industries GmbH  
Max-Eyth-Straße 10, 71364 Winnenden, Germany

Böylelikle beyan ederiz ki; ürün  
18V Kızaklı Bileşik Kesme Testeresi  
Marka: RYOBI  
Model numarası: R18MS216  
Seri numarası aralığı: 46247901000001 - 46247901999999

aşağıdaki Avrupa Direktifleri ve uyumlaştırılmış standartlara uygundur  
2006/42/EC, 2014/30/EU, 2011/65/EU  
EN 55014-1:2006+A1:2009+A2:2011; EN 55014-2:2015;  
EN 62841-1:2015; EN 62841-3-9:2015  
RoHS belgeleri EN 50581:2012 uyarınca derlenmiştir

  
Andrew John Eyre (BEng, CEng, MIET)  
Başkan Vekili, Düzenleme ve Güvenlik  
Winnenden, Jan. 31, 2018

CE

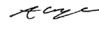
Teknik dosya hazırlamaya yetkilidir:  
Alexander Krug, Genel Müdür  
Techtronic Industries GmbH  
Max-Eyth-Straße 10, 71364 Winnenden, Germany

**EL** Δήλωση συμμόρφωσης

Techtronic Industries GmbH  
Max-Eyth-Straße 10, 71364 Winnenden, Germany

Δια του παρόντος δηλώνουμε ότι το προϊόν  
Συρόμενος Σύνθετος Πάγκος Φαλτσογωνίας 18V  
Μάρκα: RYOBI  
Αριθμός μοντέλου: R18MS216  
Εύρος σειριακών αριθμών: 46247901000001 - 46247901999999

είναι σύμφωνο με τις παρακάτω Ευρωπαϊκές Οδηγίες και εναρμονισμένα πρότυπα  
2006/42/EC, 2014/30/EU, 2011/65/EU  
EN 55014-1:2006+A1:2009+A2:2011; EN 55014-2:2015;  
EN 62841-1:2015; EN 62841-3-9:2015  
Τα έγγραφα RoHS συντάσσονται σύμφωνα με το EN 50581:2012

  
Andrew John Eyre (BEng, CEng, MIET)  
Αντιπρόεδρος, Τμήμα Ρυθμίσεων & Ασφάλειας  
Winnenden, Jan. 31, 2018

CE

Εξουσιοδοτημένο άτομο για σύνταξη τεχνικού αρχείου:  
Alexander Krug, Διευθύνων Σύμβουλος  
Techtronic Industries GmbH  
Max-Eyth-Straße 10, 71364 Winnenden, Germany







**Techtronic Industries GmbH**  
Max-Eyth-Straße 10,  
71364 Winnenden, Germany