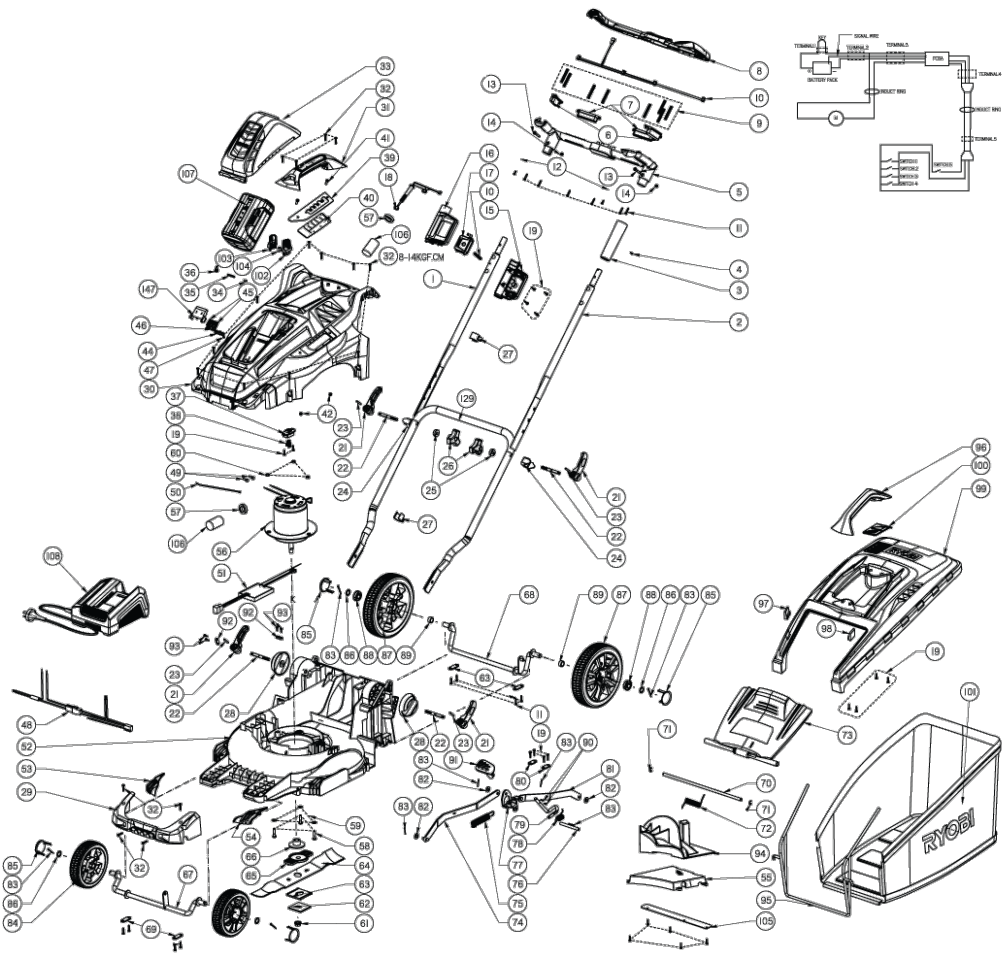


[TRAD]

5133002100 - RLM36X40H50 - 090928002DG9

RLM36X40H50



090928002DG9

Position	Quantity	Description	Part number	EAN
1_001	1	TUBE	5131035610	
1_002	1	TUBE	5131035590	
1_003	1	CONNECTOR	5131035591	
1_004	1	SCREW	5131035592	
1_006	2	TRIGGER	5131035597	
1_007	2	TRIGGER	5131035598	
1_008	1	HANDLE	5131035601	
1_009	9	SPRING	5131035599	
1_010	1	BUSHING	5131035701	
1_011	14	SCREW	5131035603	
1_012	2	SCREW	5131035593	
1_013	2	SCREW	5131035595	
1_014	4	NUT	5131035594	
1_015	1	COVER	5131035607	
1_016	1	COVER	5131035604	
1_017	1	LOCK	5131035605	
1_018	1	WIRE	5131035702	
1_019	19	SCREW	5131035608	
1_020	1	TUBE	5131035703	
1_021	4	HANDLE	5131035704	
1_022	4	SCREW	5131035705	
1_023	4	PIN	5131035706	
1_024	2	SPACER	5131035612	
1_025	2	WASHER	5131035614	
1_026	2	NUT	5131035615	
1_027	2	CLAMP	5131035609	
1_028	2	SPACER	5131035649	
1_029	1	HOUSING	5131035652	
1_031	1	HANDLE	5131035617	
1_032	18	SCREW	5131035616	
1_033	1	COVER	5131035619	
1_034	1	AXLE	5131035622	
1_035	1	SPRING	5131035621	
1_036	1	SPRING	5131035620	
1_037	1	BRACKET	5131035636	
1_038	2	CONNECTING WIRE	5131035637	
1_039	1	PLATE	5131035710	
1_040	1	RUBBER	5131035711	
1_041	2	SCREW	5131035632	
1_042	2	NUT	5131035594	
1_043	1	CONTACT	5131035623	
1_044	1	COVER	5131035626	
1_045	2	CONTACT	5131035624	
1_046	1	CONTACT	5131035625	
1_047	1	SCREW	5131035627	
1_048	1	CONNECTOR	5131035717	
1_050	1	CLAMP	5131035630	
1_052	1	HOUSING	5131035719	
1_053	1	COVER	5131035720	
1_054	1	COVER	5131035721	

Position	Quantité	Désignation	Référence	EAN
1_055	1	COVER	5131035722	
1_056	1	MOTOR	5131035723	
1_057	2	MAGNET	5131035724	
1_058	3	SCREW	5131035657	
1_059	3	WASHER	5131035656	
1_060	3	NUT	5131035639	
1_061	1	NUT	5131035663	
1_062	1	RETAINING PLATE	5131035662	
1_063	1	SPACER	5131035661	
1_064	1	BLADE	5131035725	
1_065	1	HOLDER	5131035659	
1_066	1	BRACKET	5131035658	
1_067	1	AXLE	5131035726	
1_068	1	AXLE	5131035727	
1_069	4	PLATE	5131035728	
1_070	1	AXLE	5131035677	
1_071	2	CLIP	5131035679	
1_072	1	SPRING	5131035678	
1_073	1	DOOR	5131035729	
1_074	1	CONNECTING ROD	5131035730	
1_075	1	SPRING	5131035731	
1_076	1	AXLE	5131035674	
1_077	1	BRACKET	5131035672	
1_078	1	SPRING	5131035670	
1_079	1	LEVER	5131035732	
1_080	2	PLATE	5131035667	
1_081	1	LEVER	5131035733	
1_082	3	WASHER	5131035664	
1_083	8	PIN	5131035642	
1_084	2	WHEEL	5131035734	
1_085	2	COVER	5131035735	
1_086	4	WASHER	5131035654	
1_087	2	WHEEL	5131035736	
1_088	2	BEARING	5131035643	
1_089	2	BUSHING	5131035644	
1_090	2	FOAM RUBBER	5131035668	
1_091	1	HANDLE	5131035671	
1_092	2	CLIP	5131035646	
1_093	4	SCREW	5131035737	
1_094	1	PLUG	5131035738	
1_095	1	FRAME	5131035739	
1_096	1	HANDLE	5131035681	
1_097	1	COVER	5131035685	
1_098	1	COVER	5131035684	
1_099	1	COVER	5131035683	
1_100	1	GUARD CAP	5131035682	
1_101	1	BAG	5131035740	
1_102	1	COVER	5131035741	
1_103	1	COVER	5131035742	
1_103	1	LABEL	5131035690	

Position	Quantité	Désignation	Référence	EAN
1_104	1	SPACER	5131035743	
1_104	1	LABEL	5131035691	
1_105	1	PLATE	5131035744	
1_106	1	TUBE	5131035745	
1_108	1	CHARGER	5131026908	
	1	SWISS ADAPTER	5131027809	