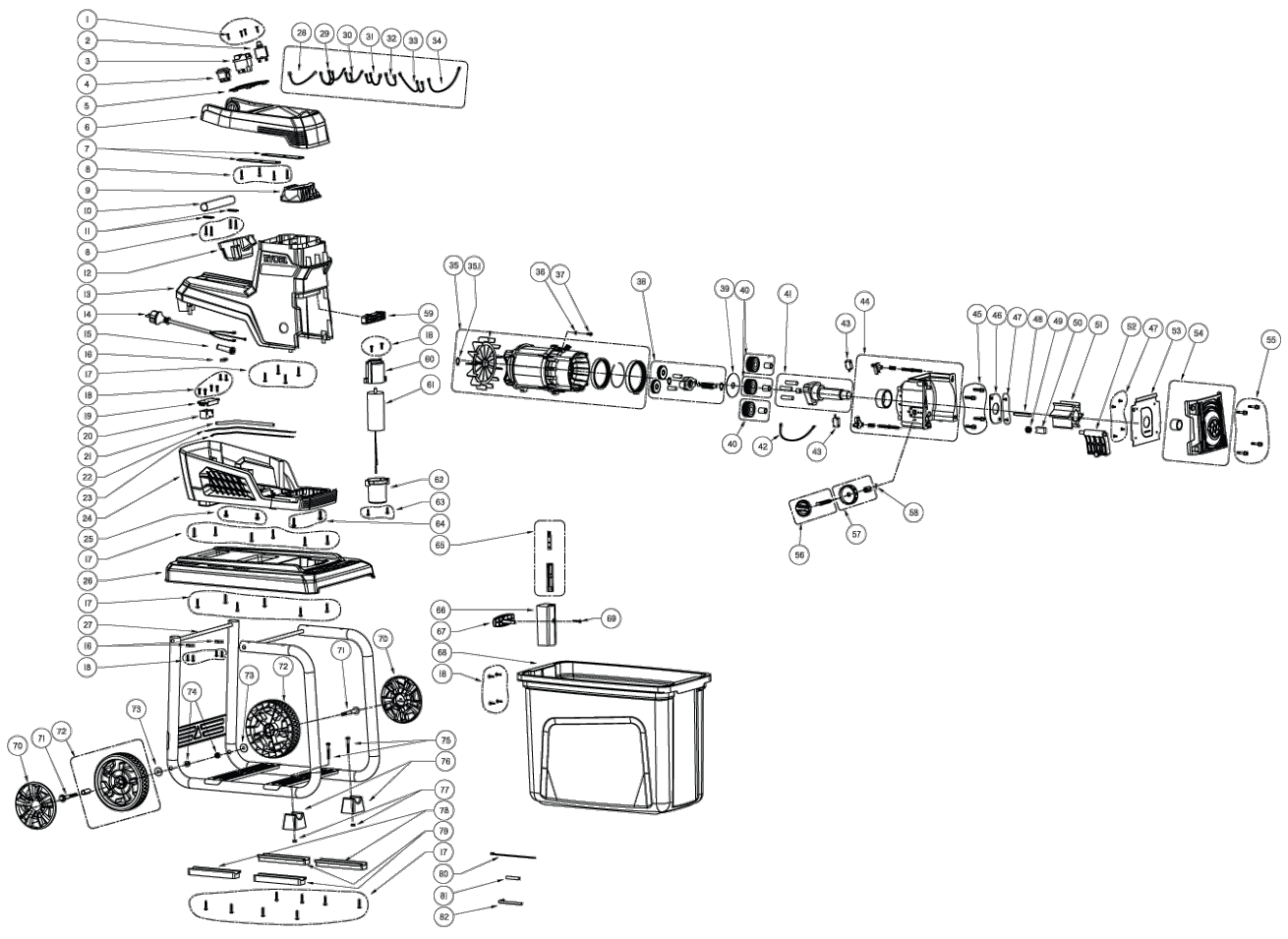


RSH2845T 2800W Silent Shredder EU

5133002351 - RSH2845T - 4000444367



Position	Quantity	Description	Part number	EAN
001	4	SCREW,ST4X16	5131036323	
002	1	OVER CURRENT PROTECTOR 68 13A 250VAC	5131036324	
003	1	MAIN SWITCH 250V T85/55 5E4	5131036325	
004	1	REVERSE SWITCH 250V T85 5E4	5131036326	
005	1	CONTROL PANEL	5131036327	
006	1	COVER DARK GREY 8004	5131036328	
007	2	FIX PLATE	5131036329	
008	8	SCREW,ST5X16	5131036330	
009	1	HOPPER	5131036331	
010	1	HANDLE TUBE ∅25	5131036332	
011	1	TUBE PLATE T 2	5131036333	
012	1	SWITCH BOX LOWER COVER	5131036334	
013	1	UPPER HOUSING	5131036335	
014	1	VDE PLUG WITH POWER CORDASSY	5131036336	
015	1	POWER CORD SLEEVE	5131036338	
016	3	CORD CLAMP	5131036339	
017	24	SCREW ST5X25	5131036340	
018	15	SCREW ST4X16	5131036341	
019	1	SAFETY SWITCH FIXTURE BOARD	5131036342	
020	1	SAFETY SWITCH 14A 250V	5131036343	
021	1	WIRE SLEEVE DIA,8	5131036344	
022	1	BROWN WIRE L 460MM	5131036345	
023	1	BROWN WIRE L 460MM	5131036346	
024	1	LOWER HOUSING	5131036347	
025	2	SCREW M6	5131036348	
026	1	CONTAINER COVER	5131036349	
027	1	METAL FRAME DIA,32	5131036350	
028	1	BLUE WIRE L 100	5131036351	
029	1	WHITE WIRE L 310+90+90MM	5131036352	
030	1	RED WIRE L 310+70MM	5131036353	
031	1	YELLOW WIRE L 320+90MM	5131036354	
032	1	BLUE WIRE L 310MM	5131036355	
033	1	BROWN WIRE L 320+70MM	5131036356	
034	1	BROWN WIRE L 470MM	5131036357	
035	1	MOTORASSY	5131036358	
035.1	1	EXTERNAL RETAINING RING 1	5131036359	
036	1	WASHER DIA,10 T 0.5	5131036360	
037	2	SCREW M5X16	5131036361	
038	1	GEARASSY	5131036362	
039	1	FRAME	5131036363	
040	3	GEARASSY	5131036364	
041	1	BLADE SHAFTASSY	5131036365	
042	1	BROWN WIRE L 210MM	5131036366	
044	1	BLADE BASE ASSY	5131036368	
045	4	BOLT M6X30	5131036369	
046	1	METAL PLATE	5131036370	
047	6	SCREW M4X8	5131036371	
048	1	PARALLEL KEY	5131036372	
049	1	NUT M10X10	5131036373	
050	1	FIX PLATE	5131036374	

Position	Quantité	Désignation	Référence	EAN
051	1	BLADE	5131036375	
052	1	ADJUST PLATE	5131036376	
053	1	GUARD OF FRONT COVER	5131036377	
054	1	FRONT COVERASSY	5131036378	
055	4	BOLT	5131036379	
056	1	ADJUST KNOBASSY	5131036380	
057	1	ADJUST KNOB COVERASSY	5131036381	
058	1	EXTERNAL RETAINING RING	5131036382	
059	1	SUPPORT PLATE	5131036383	
060	1	ELECTRIC CAPACITY UPPER COVER	5131036384	
061	1	ELECTRIC CAPACITY 450VAC 60UF	5131036385	
062	1	ELECTRIC CAPACITY LOWER COVER	5131036386	
063	2	SCREW ST4X14	5131036387	
064	2	SCREW M6	5131036388	
065	1	SWITCH LEVERASSY	5131036389	
066	1	BUTTON BASE	5131036390	
067	1	BUTTON	5131036391	
068	1	CONTAINER	5131036392	
069	1	SCREW ST5X35	5131036393	
070	2	WHEEL COVER	5131036394	
071	2	BOLT M8X80	5131036395	
072	2	WHEELASSY	5131036396	
073	2	WASHER DIA,25 T 2	5131036397	
074	2	NUT M8X10	5131036398	
075	2	BOLT M6X45	5131036399	
076	2	STAND	5131036400	
077	2	NUT M6	5131036401	
078	2	TUBE PLATE FRAME 1	5131036402	
079	2	TUBE PLATE FRAME 2	5131036403	
080	2	TIE	5131036404	
081	8	SLEEVE	5131036405	
082	1	SPANNER L 13MM	5131036406	