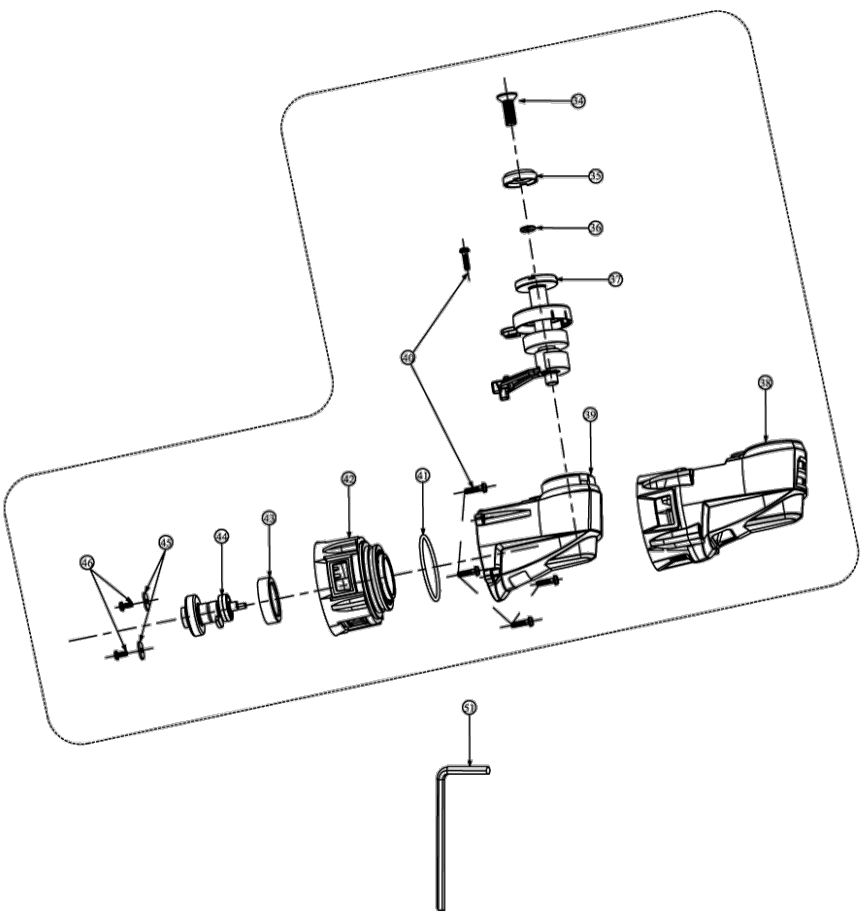
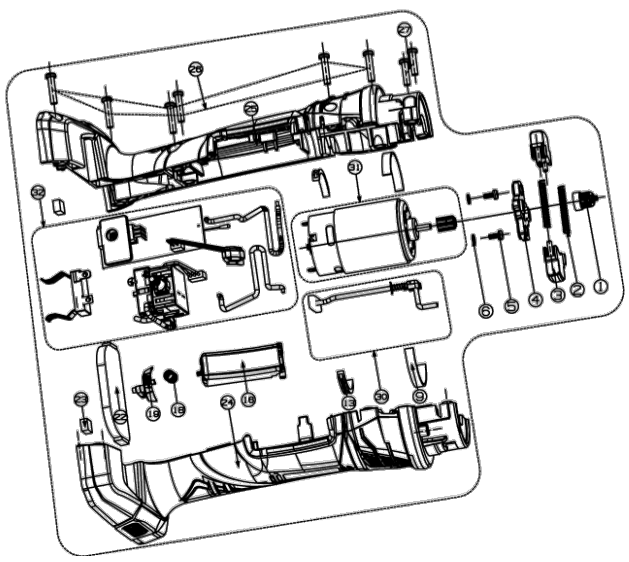


# [TRAD] 18V Multi Tool

5133001632 - RMT1801M - 5133001632#1





Position	Quantity	Description	Part number	EAN
001	1	RUBBER CAP	5131030164	
002	2	SPRING	5131030165	
003	2	PUSH-BUTTON	5131030166	
004	1	COVER PLATE	5131030167	
006	21	WASHER	5131017800	
009	2	FOAM RUBBER	5131030168	
013	2	PAD	5131030169	
016	1	TRIGGER	5131030170	
018	1	SPRING	5131030171	
019	1	BUTTON	5131030172	
022	1	MAGNET	5131030173	
023	2	RUBBER STOP	5131030174	
024	1	MOTOR HOUSING LEFT	5131030175	
025	1	MOTOR HOUSING RIGHT	5131030176	
026	6	SCREW M3.5X16MM T-20	5131011358	
027	2	SCREW	5131030177	
028	1	LABEL	5131019528	
029	1	LABEL	5131030178	
030	1	STOPPER	5131030179	
031	1	MOTOR ASSEMBLY	5131030180	
032	1	SWITCH	5131030181	
034	1	SCREW	5131030118	
035	1	SLEEVE	5131030182	
036	1	O-RING	5131030183	
037	1	PINION SHAFT	5131030184	
038	1	PROTECTIVE CAP	5131030185	
039	1	NOZZLE CAP	5131030186	
040	5	SCREW	5131030187	
041	1	O-RING	5131030188	
042	1	HOUSING BOTTOM	5131030189	
043	1	BEARING BUSH	5131030190	
044	1	CONNECTING SHAFT	5131030191	
045	2	WASHER	5131030192	
046	2	SCREW	5131030193	
047	1	LABEL	5131030194	
048	1	LABEL	5131030195	
051	1	T-HANDLE-KEY	5131029524	
	1	SANDING PAD	5131030957	
	1	SWISS ADAPTER	5131027809	