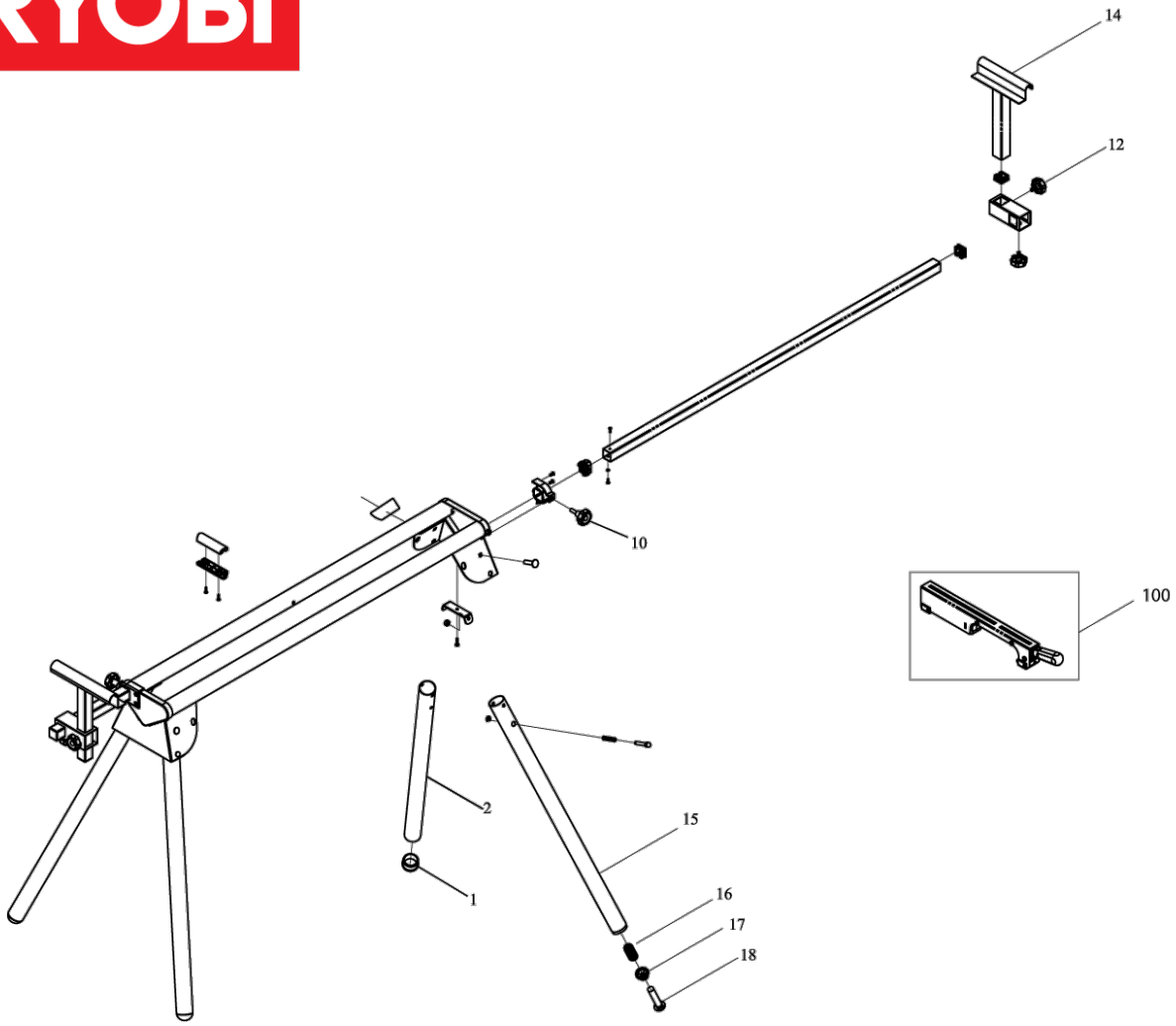


# Adjustable Leg Stand

5133001200 - RLS01 - 5133001200#1





<b>Position</b>	<b>Quantity</b>	<b>Description</b>	<b>Part number</b>	<b>EAN</b>
001	3	FOOT	5131030396	
002	3	LEGSTAND	5131030397	
010	2	KNOB	5131030398	
012	4	KNOB	5131030399	
014	2	HOLDER	5131030400	
015	1	ADJUSTING PIECE	5131030405	
016	1	SPRING	5131030401	
017	1	ADJUSTING BUTTON	5131030402	
018	1	BOLT	5131030403	
100	1	MOUNTING BRACKET	5131030404	