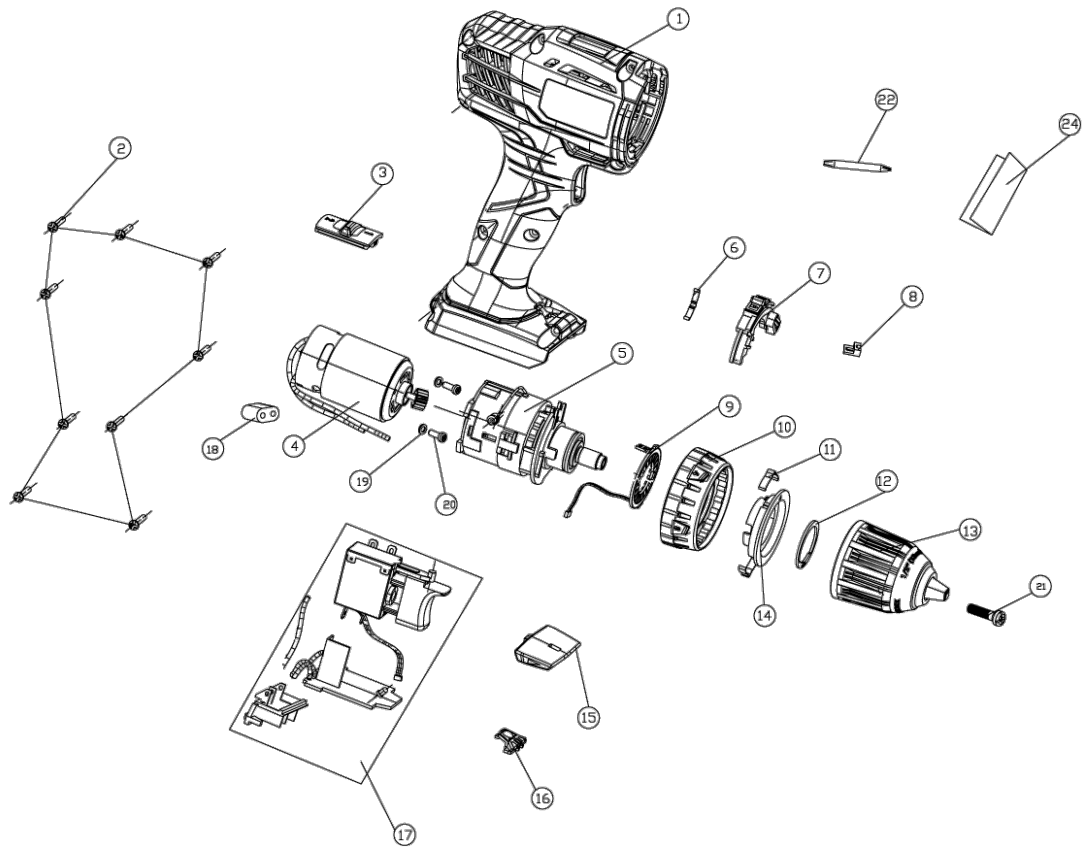


# 14.4V Lithium+ Drill Driver

5133001900 - R14DDE-LL15S - 100541001





Position	Quantity	Description	Part number	EAN
001	1	HOUSING SET ASSY	5131031234	
002	9	SCREW	5131019437	
003	1	ADJUSTING BUTTON	5131031235	
004	1	MOTOR	5131028232	
005	1	GEAR BOX ASSY	5131031236	
006	1	SPRING PLATE	5131010740	
007	1	BUTTON	5131031237	
008	1	RUBBER	5131031238	
009	1	PRINTED CIRCUIT	5131031239	
010	1	COUPLING SLEEVE	5131031240	
011	2	PLATE SPRING	5131028210	
012	1	RETAINING RING	5131031241	
013	1	CHUCK	5131031242	
014	1	HOLDER	5131031243	
015	1	PUSH BUTTON	5131031244	
016	1	HOLDER	5131031245	
017	1	SWITCH ASSEMBLY	5131031246	
018	1	PROTECTION SLEEVE	5131029490	
019	2	PIECE PLUS FOURNI,ANNULER VOTRE CDE	5131017800	
020	2	PIECE PLUS FOURNI,ANNULER VOTRE CDE	5131017800	
021	1	SCREW	5131030096	
	2	BATTERY	5131031247	
	1	CHARGER EU	5131031248	