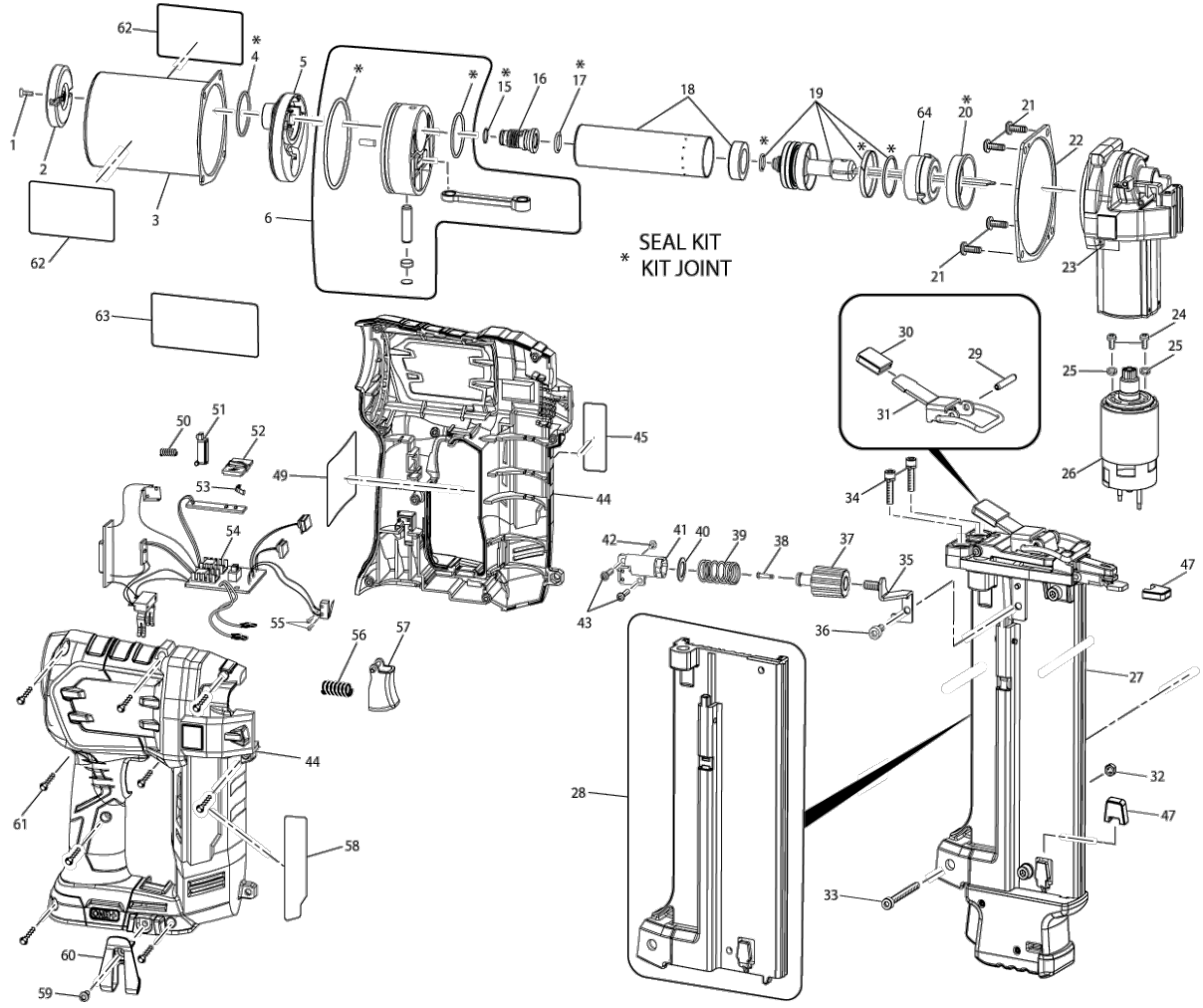


18 Gauge Cordless Nailer

5133002093 - R18N18G-0 - 5133002093#1





Position	Quantity	Description	Part number	EAN
001	1	SCREW	5131031698	
002	1	KNOB	5131031699	
003	1	CYLINDER	5131031700	
004	1	O-RING	5131031701	
005	1	HOLDER	5131031702	
006	1	PISTON W CONN. ROD	5131031703	
015	1	O-RING	5131031712	
016	1	SHAFT	5131031713	
017	1	O-RING	5131031714	
018	1	DRIVE SHANK	5131031715	
019	1	DRIVER	5131031716	
020	1	RUBBER SLEEVE	5131031717	
021	4	SCREW	5131031718	
022	1	GASKET	5131031719	
023	1	GEAR BOX ASSY	5131031720	
024	2	M SCREW STEEL M4X8MM CHI/CHP1802M	5131011425	
025	2	SPRING WASHER	5131019721	
026	1	MOTOR ASSEMBLY	5131031721	
027	1	MAGAZINE	5131031722	
028	1	COVER	5131031723	
029	1	PIN	5131031724	
030	1	END COVER CAP	5131031725	
031	1	LOCKING LEVER	5131031726	
032	1	NYLON INSERT NUT M5\ROSH WS6613ROSH	5131011661	
033	1	SCREW	5131031727	
034	2	SCREW	5131031728	
035	1	CRANK	5131031729	
036	1	SCREW	5131031730	
037	1	KNOB	5131031731	
038	1	SCREW	5131031732	
039	1	SPRING	5131031733	
040	1	WASHER	5131031734	
041	1	HOLDER	5131031735	
042	1	SCREW	5131031736	
043	2	SCREW	5131031737	
044	1	HOUSING SET ASSY	5131031738	
045	1	LABEL	5131019705	
047	2	PAD	5131031739	
049	1	LABEL	5131031740	
050	1	SPRING	5131031741	
051	1	TRIGGER	5131031742	
052	1	OPERATION LEVER	5131031743	
053	1	SPRING PLATE	5131031744	
054	1	SWITCH BOARD	5131031745	
055	1	SCREW	5131031746	
056	1	SPRING	5131031747	
057	1	TRIGGER	5131031748	
058	1	LABEL	5131031749	
059	1	M SCREW M4 X L=6MM CDI1443/1803(M)	5131011424	
060	1	HOOK	5131031750	

Position	Quantité	Désignation	Référence	EAN
061	9	SCREW M3.5X16MM T-20	5131011358	
062	2	LABEL	5131031751	
063	1	LABEL	5131031752	
064	1	RUBBER BUMPER	5131031753	
	1	O-RING-SET	5131031754	