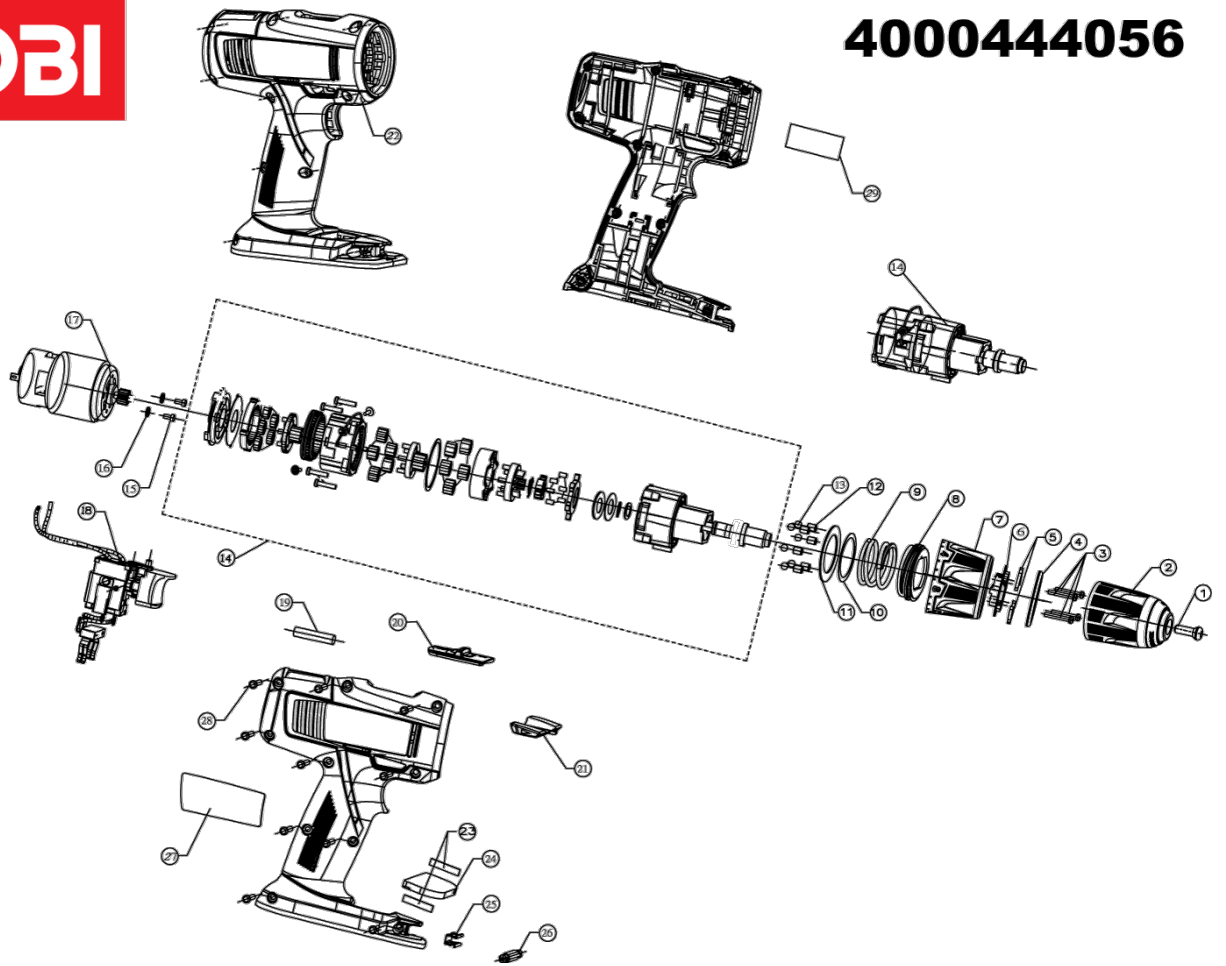


# **R18DDPL13S 18V DRILL DRIVER IN2**

**5133002250 - R18DDPL13S - 4000444056**



4000444056



Position	Quantity	Description	Part number	EAN
001	1	SCREW	5131001845	4058546083502
002	1	CHUCK	5131029442	4058546119195
003	4	SCREW	5131031868	4058546194192
004	1	PLATE	5131000000	
005	2	SPRING	5131000000	
006	1	HOLDER	5131031869	4058546194208
007	1	COUPLING SLEEVE	5131031870	4058546130107
008	1	SLEEVE	5131000000	
009	1	SPRING	5131000000	
010	1	WASHER	5131012280	4058546099503
010	1	WASHER	5131016201	4058546103521
010	1	WASHER	5131000000	
010	1	WASHER	5131016248	4058546103651
010	1	WASHER OD39.5*ID30.5*0.5mm	5131000000	
011	1	WASHER	5131000000	
012	6	PIN	5131000000	
013	6	BALL	5131011639	4058546098537
014	1	GEAR BOX ASSY	5131031871	4058546130114
015	2	SCREW	5131011425	4058546168360
016	2	SPRING WASHER	5131019721	4058546108670
017	1	MOTOR ASSEMBLY	5131031872	4058546130121
018	1	SWITCH ASSEMBLY	5131031873	4058546130138
019	1	BUBBLE LEVEL	5131008331	4058546092542
020	1	PUSH-BUTTON	5131031874	4058546194215
021	1	PUSH BUTTON	5131031875	4058546194222
022	1	HOUSING SET ASSY	5131031876	4058546130145
023	2	RUBBER PLATE	5131000000	
024	1	MAGNET 56X30X5MM	5131031877	4058546130152
025	1	BIT CLIP	5131031687	4058546193171
027	1	LABEL	5131031878	4058546194239
028	10	SCREW	5131011359	4058546168315
029	1	LABEL	5131000000	
026	1	DOUBLE BIT (PH2 S6 L=50MM)	5131000000	