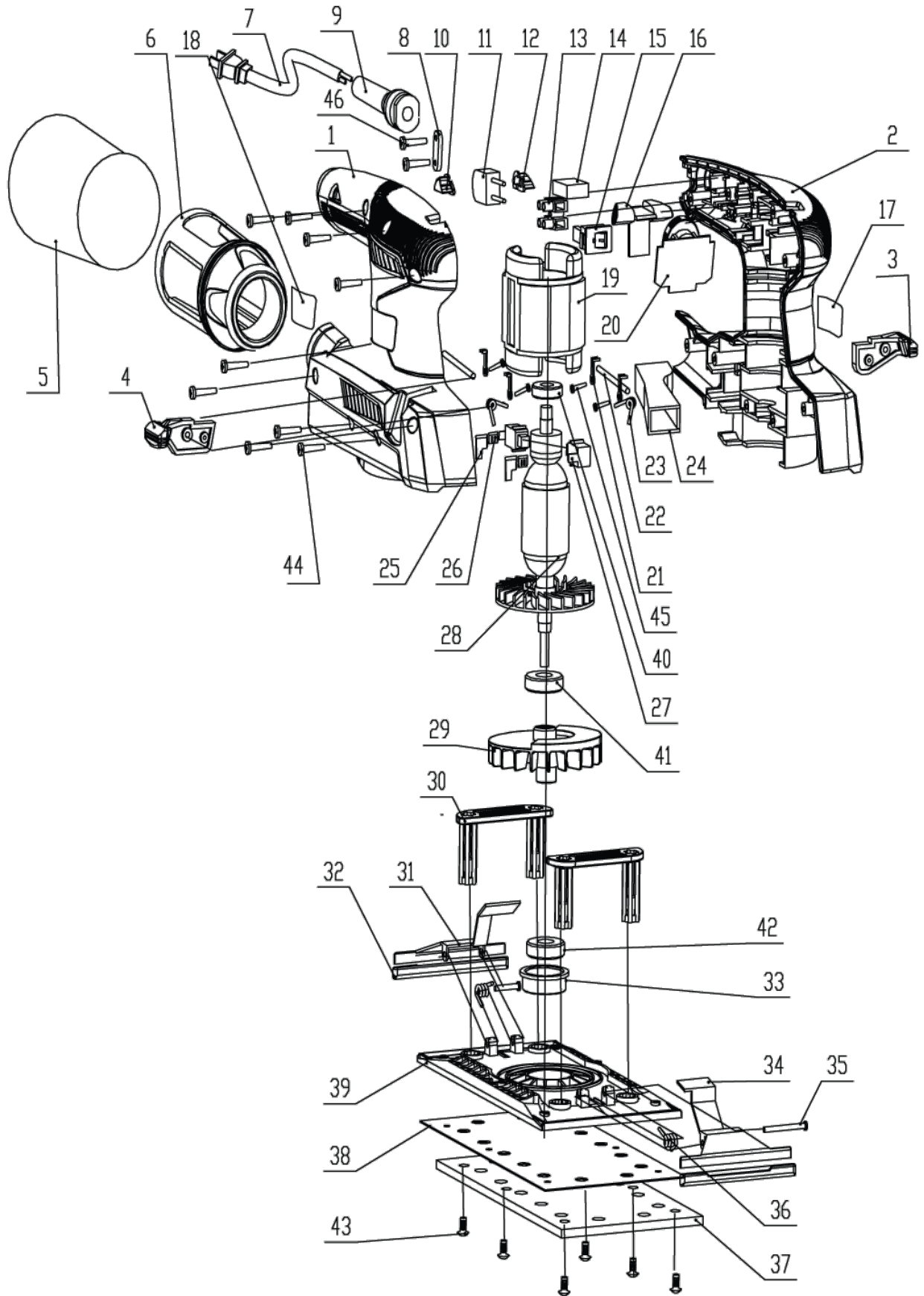


ESS3215VHG Sheet Sander 320W IN2

5133000356 - ESS3215VHG - 4000444123





Position	Quantity	Description	Part number	EAN
	1	SWISS ADAPTER	4931392302	4002395733965
	1	MOTOR ASSEMBLY	5131000000	
001	1	MOTOR HOUSING	5131028017	4058546179182
002	1	MOTOR HOUSING	5131028018	4058546179199
003	1	PUSH-BUTTON	5131028019	4058546115234
004	1	PUSH-BUTTON	5131028020	4058546115241
005	1	DUST BAG	5131028021	4058546179205
006	1	DUST REFLECTOR	5131028022	4058546179212
007	1	CONNECTION CABLE EU	5131000000	
008	1	CLAMP	5131000000	
009	2	PROTECTION SLEEVE	5131000000	
010	1	COVER	5131000000	
011	1	LIVE INDICATOR ESS3215V	5131000000	
012	1	COVER	5131000000	
013	1	TERMINAL PLUG	5131000000	
014	1	CAPACITOR	5131003252	4058546164041
015	1	SWITCH	5131000000	
016	1	PUSH-BUTTON	5131000000	
019	1	ELECTRIC FIELD	5131003254	4058546085674
020	1	ELECT.CIRCUIT BOARD	5131028031	4058546115258
021	4	PRESS PLATE ESS3215V	5131000000	
022	1	ADJUSTMENT SPINDLE ESS3215V	5131000000	
023	2	SPRING	5131003258	4058546085698
024	1	DUST CONNECT TUBE ESS3215V	5131000000	
025	1	INSERT SLEEVE ESS3215V	5131000000	
026	1	CONNECTOR	5131000000	
027	2	BRUSH HOLDER	5131003261	4058546085704
028	1	ARMATURE	5131003262	4058546085711
029	1	BLOWER	5131003263	4058546085728
030	1	FRAME	5131003264	4058546085735
031	1	CLAMP CLIP	5131028033	4058546179229
032	1	SPIKE	5131003266	4058546085742
033	1	PILLOW BLOCK	5131003267	4058546164058
034	1	CLAMP CLIP	5131028034	4058546179236
035	1	CLAMP CLIP SPINDLE ESS3215V	5131000000	
036	1	SPRING	5131000000	
037	1	GUIDE SHOE	5131003271	4058546085759
038	1	PLATE	5131000000	
039	1	SANDING PLATE	5131028035	4058546115265
040	1	BALL BEARING	5131003274	4058546085766
041	1	BALL BEARING	5131003275	4058546085773
042	1	BALL BEARING	5131003276	4058546085780
043	6	SCREW	5131003277	4058546164072
044	7	SCREW ST4X20MM ESS3215V	5131000000	
045	4	SCREW	5131000000	
046	5	SCREW	5131000000	
	1	HOLE PUNCHER ESS3215V	5131000000	