

RYOBI®

RLM18X33B40
RLM18C33B25
OLM1833B

ORIGINAL INSTRUCTIONS
TRADUCTION DES INSTRUCTIONS ORIGINALES
ÜBERSETZUNG DER ORIGINALANLEITUNG
TRADUCCIÓN DE LAS INSTRUCCIONES ORIGINALES
TRADUZIONE DELLE ISTRUZIONI ORIGINALI
VERTALING VAN DE ORIGINELE INSTRUCTIES
TRADUÇÃO DAS INSTRUÇÕES ORIGINAIS
OVERSÆTTELSE AF DE ORIGINALE INSTRUKTIONER
ÖVERSÄTTNING AV DE URSPRUNGLIGA INSTRUKTIONERNA
ALKUPERÄISTEN OHJEIDEN SUOMENNO
OVERSETTELSE AV DE ORIGINALE INSTRUKSJONENE
ПЕРЕВОД ОРИГИНАЛЬНЫХ ИНСТРУКЦИЙ
TŁUMACZENIE INSTRUKCJI ORYGINALNEJ
PŘEKLAD ORIGINALNÍCH POKYNŮ
AZ EREDETI ÚTMUTATÓ FORDÍTÁSA
TRADUCEREA INSTRUCȚIUNILOR ORIGINALE
TULKOTS NO ORIĢINĀLĀS INSTRUKCIJAS
ORIGINALIŲ INSTRUKCIJŲ VERTIMAS
ORIGINAALJUHENDI TÕLGE
PRIJEVOD ORIGINALNIH UPUTA
PREVOD ORIGINALNIH NAVODIL
PREKLAD ORIGINALNYCH POKYNOV
ПРЕВОД ОТ ОРИГИНАЛНИТЕ ИНСТРУКЦИИ
ПЕРЕКЛАД ОРИГИНАЛЬНИХ ІНСТРУКЦІЙ
ORIJINAL TALIMATLARIN ÇEVIRILERI



EN
FR
DE
ES
IT
NL
PT
DA
SV
FI
NO
RU
PL
CS
HU
RO
LV
LT
ET
HR
SL
SK
BG
UK
TR





- Important!** It is essential that you read the instructions in this manual before assembling, maintaining and operating the product.
- Attention!** Il est essentiel que vous lisiez les instructions contenues dans ce manuel avant d'assembler, d'entretenir et d'utiliser le produit.
- Achtung!** Es ist wichtig, dass Sie vor Zusammenbau, Wartung und Benutzung des Produktes die Anweisungen in dieser Anleitung lesen.
- ¡Atención!** Resulta fundamental que lea este manual de instrucciones antes de realizar el montaje, el mantenimiento y de utilizar este producto
- Attenzione!** È importante leggere le istruzioni contenute nel presente manuale prima di montare il prodotto, svolgere le operazioni di manutenzione sullo stesso e metterlo in funzione.
- Let op!** Het is van essentieel belang dat u de instructies in deze gebruiksaanwijzing leest voor u het product monteert, onderhoudt en gebruikt.
- Atenção!** É fundamental que leia as instruções deste manual antes da montagem, manutenção e operação do aparelho.
- OBS!** Det er vigtigt, at man læser instrukserne i denne brugsanvisning, inden man samler, vedligeholder og betjener produktet.
- Observera!** Det är viktigt att du läser instruktionerna i manualen före montering, användning och underhåll av produkten.
- Huomio!** On tärkeää, että luet tämän käsikirjan ohjeet ennen tuotteen kokoamista, huoltoa ja käyttöä.
- Advarsel!** Det er viktig at du leser instruksjonene i denne manualen før sammensetning, vedlikehold og bruk av produktet
- Внимание!** Необходимо прочитать инструкции в данном руководстве перед сборкой, обслуживанием и эксплуатацией этого изделия.
- Uwaga!** Koniecznie należy przeczytać instrukcje zawarte w tym podręczniku przed montażem, obsługą oraz konserwacją produktu.
- Důležité upozornění!** Neinstalujte, neprovádějte údržbu ani nepoužívejte tento výrobek dříve, než si přečtete pokyny uvedené v tomto návodu.
- Figyelem!** Fontos, hogy a termék összeszerelése, karbantartása és használatá elött elolvassa a kézikönyvben található utasításokat.
- Atenție!** Este esențial să citiți instrucțiunile din acest manual înainte de asamblare, efectuarea întreinerii și operarea produsului.
- Uzmanību!** Ir svarīgi izlasīt šīs rokasgrāmatas instrukcijas pirms uzstādīšanas, apkopes un precas darbināšanas.
- Dėmesio!** Prieš surenkant, prižiūrint ir naudojam gaminį, būtina perskaityti šiam vadove pateiktus nurodymus.
- Tähtis!** Enne masina kokkupanekut, hooldamist ja kasutama hakkamist tuleb käesolevas juhendis esitatud juhised kindlasti läbi lugeda.
- Upozorenje!** Vrlo je važno da ste prije sklapanja, održavanja i rada s ovim proizvodom pročitali upute u ovom priručniku.
- Pomembno!** Pomembno je da pred montažo vzdrževanjem in uporabo tega izdelka preberete navodila v tem priročniku.
- Upozornenie!** Je dôležité, aby ste si pred montážou, údržbou a obsluhou produktu prečítali pokyny v tomto návode.
- Важно!** Исключительно важно е да прочетете инструкциите в настоящото ръководство, преди да преминете към сглобяване, поддръжка или работа с продукта.
- Важливо!** Дуже важливо, щоб ви прочитали інструкції в цьому керівництві перед складанням, обслуговуванням та експлуатацією цієї машини.
- Önemli!** Ürünü monte etmeden, kullanmadan ve bakımını yapmadan önce bu kılavuzdaki talimatları okumanız önemlidir.

Subject to technical modification | Sous réserve de modifications techniques | Technische Änderungen vorbehalten | Bajo reserva de modificaciones técnicas | Con riserva di eventuali modifiche tecniche | Technische wijzigingen voorbehouden | Com reserva de modificações técnicas | Med forbehold for tekniske ændringer | Med förbehåll för tekniska ändringar | Tekniset muutokset varataan | Med forbehold om tekniske endringer | могут быть внесены технические изменения | Z zastrzeżeniem modyfikacji technicznych | Změny technických údajů vyhrazeny | A műszaki módosítás jogát fenntartjuk | Sub rezerva modificațiilor tehnice | Paturam tiesības mainīt tehniskos raksturlielumus | Pasiliekiant teisę daryti techninius pakeitimus | Tehnilised muudatused võimalikud | Podloženo tehničkim promjenama | Tehnične spremembe dopuščene | Právo na technické zmeny je vyhradené | Подлежи на технически модификации | Є об'єктом для технічних змін | Teknik değişikliğe tabidir.



Safety, performance, and dependability have been given top priority in the design of your cordless lawn mower.

INTENDED USE

The cordless lawn mower is only intended for use outdoors.

The product is designed for domestic lawn mowing. The cutting blade should rotate approximately parallel to the ground over which it is being wheeled. All four wheels should touch the ground while mowing. It is a pedestrian-controlled walk-behind mower designed to be pushed by hand.

The product should never be operated with the wheels off the ground; it should not be pulled or ridden on. It should not be used to cut anything other than domestic grass lawns. Do not use the product for any other purpose.

GENERAL SAFETY WARNINGS

⚠ WARNING

When using the product, the safety rules must be followed. For your own safety and that of bystanders, please read these instructions before operating the product. Please keep the instructions safe for later use.

⚠ WARNING

The product should only be operated with the battery packs specified in this manual. When using battery operated product, basic safety precautions should always be followed to reduce the risk of fire, leaking batteries and personal injury.

PERSONAL SAFETY

- The product is capable of amputating hands and feet, and of throwing objects. Failure to observe all safety instructions could result in serious injury or death.
- Be familiar with the controls and the correct use of the product.
- Never allow children or people with reduced physical, sensory or mental capabilities or persons not familiar with these instructions to operate, clean or maintain the product. Local regulations may restrict the age of the

operator. Children should be adequately supervised to ensure they do not play with the product.

- Stay alert, watch what you are doing, and use common sense when operating the product. Do not operate the product while tired or under the influence of drugs, alcohol, or medication. A lapse in concentration while operating the product may result in serious personal injury.
- Wear heavy, long trousers, long sleeves, and sturdy anti-slip footwear. Do not wear short trousers, sandals, or go barefoot. Avoid wearing clothing that is loose fitting or that has hanging cords or ties.
- Always wear safety glasses with side shields.
- Always be sure of your footing especially on slopes. Keep firm footing and balance. Walk, never run.
- Use the product across the face of slopes, never up and down. Exercise extreme caution when changing direction on slopes.
- Do not use the product near drop-offs, ditches, excessively steep slopes, or embankments. Poor footing could cause a slip and fall accident.

WORK AREA SAFETY

- Never use product while people, especially children, or pets are within 15 m because of the danger of objects being thrown by contact with the blade.
- Objects struck by the lawn mower blade can cause severe injuries to persons. Thoroughly inspect the area where the product is to be used and remove all rocks, sticks, metal, wire, bones, toys, or other foreign objects. Remember, string or wire may entangle with the cutting means.
- Always use the product in the daylight or with good artificial light.
- Do not operate the product in explosive atmospheres, such as in the presence of flammable liquids, gases or dust. The product creates sparks which may ignite the dust or fumes.
- Do not operate the product on wet grass or in the rain.
- Do not use the product when there is a risk of lightning.
- Keep in mind that the operator or user

is responsible for accidents or hazards occurring to other people or their property.

- Tragically accidents can occur if the operator is not alert to the presence of children. Children are often attracted to the product and the mowing activity. Never assume that children will remain where you last saw them.
- Keep children out of the mowing area and under the watchful care of a responsible adult other than the operator, be alert and turn the product off if a child enters the area.
- Use extra care when approaching blind corners, shrubs, trees, or other objects including overhanging shrubs, which may block your view.

BATTERY TOOLS USE AND CARE

- Read, understand, and always follow the safety instructions which came with your battery and charger. Failure to do so may result in electric shock, fire or other hazardous situations. Keep all the instructions together in a safe place for future reference.
- Battery-operated products do not have to be plugged into an electrical outlet; therefore, they are always in operating condition. Remove the isolator key whenever you are not operating the product.
- Remove the battery pack before making any adjustments, cleaning, or removing material from the product.
- Ensure the isolator key is removed before inserting battery pack.
- A battery pack must be recharged only with the charger specified by the manufacturer. Using a charger with an incompatible battery pack may create a risk of fire. Use battery pack only with charger listed.
- Use only battery pack intended specifically for the product. Use of any other battery packs may result in a risk of fire, electric shock, or injury to persons.
- **When battery pack is not in use, keep it away from other metal objects like, paper clips, coins, keys, nails, screws, or other small metal objects, that can make a connection from one terminal to another. Shorting the battery pack terminals together may cause sparks, burns, fire or explosion.**

- Do not place battery products or their batteries near fire or heat. This increases the risk of explosion and possibly injury.
- Do not open or mutilate the battery pack. Released electrolyte is corrosive and may cause damage to the eyes or skin. It may be toxic if swallowed.
- Protect the battery pack against moisture and water. Do not charge the product in a damp or wet location. Following this rule will reduce the risk of electric shock.
- In case of damage and improper use of the battery, vapour may be emitted. Provide for fresh air and seek medical help in case of complaints. The vapour can irritate the respiratory system.
- Do not leave the battery pack inside a vehicle in hot or cold conditions.
- Do not incinerate the battery.
- Under abusive conditions, liquid may be ejected from the battery; avoid contact. If contact accidentally occurs, flush with water. If liquid contacts eyes, additionally seek medical help. Liquid ejected from the battery may cause irritation or burns.

LAWN MOWER SAFETY WARNINGS

- Before use, always visually inspect to ensure blades, blade bolts, and cutter assembly are not worn or damaged.
- Replace worn or damaged blades and bolts in sets to preserve balance.
- The blade on the product is sharp. Use extreme caution and wear heavy-duty gloves when fitting, replacing, cleaning or checking bolt security.
- Bring the product to an authorised service centre to replace damaged or unreadable labels.
- Check all nuts, bolts, and screws at frequent intervals for proper tightness to be sure that the product is in safe working condition.
- Frequently check the grass catcher for wear, holes, or deterioration.
- Replace worn or damaged parts before operating the product.
- The product must be started with the user behind the handlebars in the operator safety zone. Never start the product if:
 - all four wheels are not on the ground



EN
FR
DE
ES
IT
NL
PT
DA
SV
FI
NO
RU
PL
CS
HU
RO
LV
LT
ET
HR
SL
SK
BG
UK
TR

- the grass discharge chute is exposed and is not protected by the grass catcher and grass discharge chute cover.
- hands and feet of all persons are not clear of the cutting enclosure.
- Never operate the product if the on/off switch on the handlebar does not properly start and stop the product.
- Never attempt to lock the on/off switches in the on position, this is extremely dangerous.
- Do not force the product. It will do the job better and safer at the speed for which it was designed.
- Stop the blade when crossing gravel surfaces.
- Do not pull the product backwards unless absolutely necessary. If you must back the product away from a wall or obstruction, first look down and behind to avoid tripping or pulling the product over your feet.
- Stop the motor and allow the blade to stop if the product has to be tilted for transportation when crossing surfaces other than grass, and when transporting the product to and from the work area.
- Never use the product with defective guards or shields, or without safety devices, for example, deflectors and/ or grass collectors, in place.
- Do not tilt the product when switching on the motor or while the motor is running. If absolutely necessary, you may raise the front of the lawn mower by no more than 5 cm to enable easier starting. Press down on the handlebar to achieve this. Always return the mower to its normal position with all wheels on the ground before cutting. Tilting the mower exposes the blade and increases the probability of objects being thrown and accidental contact with the blade.
- Switch on the motor carefully according to instructions and keep hands and feet away from blades. Do not put hands or feet near or under rotating parts.
- Never pick up or carry the product while it is running.
- Turn off the product, remove the isolator key, and the battery pack. Make sure all moving parts have come to a complete stop:
 - whenever leaving the product

unattended (including disposal of grass clippings)

- before clearing blockages or unclogging discharge chute
- before checking, cleaning, or working on the product
- before removing the grass catcher or opening the grass discharge chute cover
- after striking a foreign object; inspect the product for damage and make repairs as necessary before restarting and operating the product
- If the product starts to vibrate abnormally (check immediately)
 - inspect for damage, particularly the blades
 - replace or repair any damaged parts
 - check for and tighten any loose parts
- Avoid holes, ruts, bumps, rocks, property stakes, or other hidden objects. Uneven terrain could cause a slip-and-fall accident.
- Always ensure the motor control cable is never trapped, pinched or otherwise damaged during assembly or when folding the handle.

ADDITIONAL BATTERY SAFETY WARNINGS

⚠ WARNING

To reduce the risk of fire, personal injury, and product damage due to a short circuit, never immerse your tool, battery pack or charger in fluid or allow a fluid to flow inside them. Corrosive or conductive fluids, such as seawater, certain industrial chemicals, and bleach or bleach-containing products, etc., can cause a short circuit.

PRODUCT FEATURES

OVERLOAD AND OVERHEAT PROTECTION

The product has an overload protection device. When overloading is detected, the product will automatically switch off. If the overload protector is actuated, the on-off button must be released. Press the on-off button to restart the product.

The battery pack has overheat protection. Excessive temperatures will cause the battery to stop powering the product. Feel the battery



pack; if it is too warm, allow it to cool down before resuming operation. If the product still does not work, recharge the battery.

NOTE: The battery pack LED indicator will not work if the battery protection feature has caused the battery pack to stop powering the product. Release the on-off button or remove the battery pack from the product and the battery pack LED indicator will resume normal function.

GENERAL MOWING TIPS

The run time of the battery depends on the condition, length, and density of the grass.

Adjust the cutting height of the lawn mower to suit the current condition of the lawn.

Grass conditions	Suggested height adjustment		Coverage (maximum)	
	First pass	Succeeding passes	4 Ah battery	5 Ah battery
Very thin / Dry	3	2	200 m ²	250 m ²
Thin / Dry	4	3 → 2	150 m ²	200 m ²
Medium / Dense	5	4 → 3	100 m ²	150 m ²

* battery: RB18L40

- For best performance, always cut off one-third or less of the total height of the grass.
- When cutting long grass, reduce walking speed to allow for more effective cutting and a proper discharge of the clippings.
- Do not cut wet grass; it will stick to the underside of the deck and prevent proper collection or discharge of grass clippings.
- New or thick grass may require a higher cutting height.
- If you wish to collect the grass cuttings for disposal, remove the mulching plug and fit the grass catcher making sure the grass discharge chute cover is properly closed. Empty the grass catcher regularly; otherwise, the discharge chute will become blocked with grass cuttings.
- If you are making a light cut and wish for the grass cuttings to remain on the lawn, fit the mulching plug and close the grass discharge chute cover to cover the discharge opening. It is not necessary to fit the grass catcher in this case.
- The product is designed to operate and cut

most effectively when moving forwards.

- A higher cutting height will extend the run time of the battery.

TRANSPORTATION AND STORAGE

- Turn off the product, remove the isolator key, and the battery pack. Make sure all moving parts have come to a complete stop. Allow the product to cool down before storing or transporting.
- Clean all foreign materials from the product. Store the product in a cool, dry, and well-ventilated place that is inaccessible to children. Keep away from corrosive agents such as garden chemicals and de-icing salts. Do not store outdoors.
- For transportation in vehicles, remove isolator key and secure the product against movement or falling to prevent injury to persons or damage to the product.

⚠ WARNING

Use extreme caution when lifting or tilting the product for maintenance, cleaning, storage, or transportation, the blade is sharp, keep all body parts away from the blade while it is exposed.

TRANSPORTING LITHIUM BATTERIES

Transport the battery in accordance with local and national provisions and regulations.

Follow all special requirements on packaging and labelling when transporting batteries by a third party. Ensure that no batteries can come in contact with other batteries or conductive materials while in transport by protecting exposed connectors with insulating, non-conductive caps or tape. Do not transport batteries that are cracked or leaking. Check with the forwarding company for further advice.

MAINTENANCE

⚠ WARNING

Use only original manufacturer's replacement parts, accessories and attachments. Failure to do so can cause possible injury, contribute to poor performance, and may void your warranty.

⚠ WARNING

Servicing requires extreme care and knowledge and should be performed only by a qualified service technician. Have the product serviced by an authorised service centre only. When servicing, use only original replacement parts.

- Turn off the product, remove the isolator key, and the battery pack. Make sure all moving parts have come to a complete stop before any cleaning or maintenance task.
- You may make adjustments and repairs described here. For other repairs, contact an authorised service centre.
- Replace worn or damaged part for safety.
- Check the grass catcher frequently for wear or deterioration.
- After each use, clean the product with a soft dry cloth. Any part that is damaged should be properly repaired or replaced by an authorised service centre.
- Check all nuts, bolts and screws at frequent intervals for proper tightness to ensure the product is in safe working condition.
- Be careful during adjustment of the product to prevent entrapment of the fingers between moving blades and fixed parts of the product.
- When servicing the blades, be aware that even though the power source is switched off, the blades can still be moved.
- The blade on the product is sharp. Use extreme caution and wear heavy-duty gloves when fitting, replacing, cleaning or checking bolt security.
- Replace damaged blades and bolts in sets to preserve balance.
- The blade bolts must be adequately tightened. **See the manufacturer's recommendations for blade bolt torque which can be found in the product specification table in this manual.**

CLEARING BLOCKAGES

- Turn off the product, remove the isolator key, and the battery pack. Make sure all moving parts have come to a complete stop.

- Always wear heavy-duty gloves when checking or clearing a blockage.
- The blades are sharp and the blockage itself could be a sharp object.
- Remove the grass catcher, check for and carefully clear obstructions.
- Check the grass discharge chute for blockages and carefully clear.
- Turn the product on its side, check its underside, and the area around the blade. If any blockages are found, remove carefully. Remember the blade may move during cleaning.

RESIDUAL RISKS

Even when the product is used as prescribed, it is still impossible to completely eliminate certain residual risk factors. The following hazards may arise during use, and the operator should pay special attention to avoid the following:

- injury caused by vibration
 - Always use the right tool for the job. Use designated handles and restrict working time and exposure.
- injury caused by noise
 - Exposure to noise can cause hearing injury. Wear ear protection and limit exposure.
- injury from contact with the blades
- injury caused by thrown objects

RISK REDUCTION

It has been reported that vibrations from handheld tools may contribute to a condition called Raynaud's Syndrome. Symptoms may include tingling, numbness and blanching of the fingers, usually apparent upon exposure to cold. Hereditary factors, exposure to cold and dampness, diet, smoking and work practices are all thought to contribute to the development of these symptoms. There are measures that can be taken by the operator to possibly reduce the effects of vibration:

- Keep your body warm in cold weather. When operating the product, wear gloves to keep the hands and wrists warm. It is reported that cold weather is a major factor contributing to Raynaud's Syndrome.
- After each period of operation, exercise to increase blood circulation.

- Take frequent work breaks. Limit the amount of exposure per day.

If you experience any of the symptoms of this condition, immediately discontinue use and see your physician.

⚠ WARNING

Injuries may be caused, or aggravated, by prolonged use of a tool. When using any tool for prolonged periods, ensure you take regular breaks.

KNOW YOUR PRODUCT

See page 193.

Parts

1. Handle
2. On-off button
3. Start button
4. Motor control cable
5. Motor control cable retainer
6. Battery door
7. Handle knob
8. Grass catcher full indicator
9. Grass catcher
10. Grass discharge chute cover
11. Handle lock
12. Rear wheel
13. Height adjustment lever
14. Front wheel
15. Isolator key
16. Battery
17. Charger
18. Mulching plug

SYMBOLS ON THE PRODUCT



Read and understand all instructions before operating the product, follow all warnings and safety instructions.



Wear ear protection.



Wear eye protection.



Do not operate on inclines greater than 15°. Mow across the face of slopes, never up and down.



Do not expose to rain or damp condition.



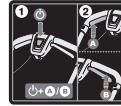
Beware of sharp blades. Blades continue to rotate after the motor is switched off – Remove isolator key before maintenance



Beware of thrown or flying objects. Keep all bystanders, especially children and pets, at least 15 m away from the operating area.



The handle features 3 levels of height adjustment. Check to ensure the tubes are properly inserted especially at the highest level. The handle could slip out of the holes if not properly inserted and locked.



Press the Start button and then the On-off button (A or B) to start the product. Release the Start button and keep pressing the On-off button to run the product. Release the On-off button to stop the product.



Go



Stop



Please read the instructions carefully before using the product.



Waste electrical products should not be disposed of with household waste. Please recycle where facilities exist. Check with your local authority or retailer for recycling advice.



Conforms to all regulatory standards in the country in the EU where the product is purchased.



EurAsian Conformity Mark



Ukrainian mark of conformity



The guaranteed sound power level is shown on this label by 96 dB.

The following signal words and meanings are intended to explain the levels of risk associated with this product:

⚠ DANGER

Indicates an imminently hazardous situation, which, if not avoided, will result in death or serious injury.

⚠ WARNING

Indicates a potentially hazardous situation, which, if not avoided, could result in death or serious injury.

⚠ CAUTION

Indicates a potentially hazardous situation, which, if not avoided, may result in minor or moderate injury.

CAUTION

(Without Safety Alert Symbol) Indicates a situation that may result in property damage.

SYMBOLS IN THIS MANUAL



Parts or accessories sold separately



Note



Warning

EN
FR
DE
ES
IT
NL
PT
DA
SV
FI
NO
RU
PL
CS
HU
RO
LV
LT
ET
HR
SL
SK
BG
UK
TR

La plus grande priorité a été donnée à la sécurité, aux performances et à la fiabilité de votre tondeuse à gazon sans-fil lors de sa conception.

UTILISATION PRÉVUE

La tondeuse sans fil est uniquement conçue pour une utilisation en extérieur.

Ce produit est destiné à la tonte du gazon par les particuliers. La lame de coupe doit tourner en position à peu près parallèle au sol sur lequel l'appareil se déplace. L'ensemble des quatre roues doit toucher le sol au cours de la tonte. Il s'agit d'une tondeuse destinée à être poussée par une personne marchant derrière.

La tondeuse ne doit jamais être utilisée avec ses roues décollées du sol, elle ne doit pas être tractée. Ne montez pas dessus. Elle ne doit être utilisée que pour la tonte des pelouses de particuliers.

Utilisez ce produit pour aucun autre travail.

AVERTISSEMENTS GÉNÉRAUX DE SÉCURITÉ

⚠ AVERTISSEMENT

Suivez les règles de sécurité lorsque vous utilisez le produit. Pour votre sécurité et celle des passants, veuillez lire ces instructions avant d'utiliser le produit. Veuillez conserver instructions pour vous y reporter ultérieurement.

⚠ AVERTISSEMENT

Utiliser le produit uniquement avec les bloc-piles spécifiés dans ce manuel. Lors de l'utilisation de machines alimentées par batterie, il convient de respecter certaines précautions de sécurité de base afin de réduire les risques d'incendie, de fuite de batterie et de blessures.

SÉCURITÉ DES PERSONNES

- La tondeuse à gazon est capable d'amputer les mains et les pieds, ainsi que de projeter des objets. Le non-respect de toutes les règles de sécurité est susceptible d'entraîner des blessures graves voire mortelles.
- Familiarisez-vous avec les commandes du produit ainsi qu'avec son utilisation

correcte.

- Ne laissez jamais les enfants ou les personnes aux capacités physiques, sensorielles ou mentales réduites, ni les personnes non familiarisées avec ces instructions utiliser, nettoyer ou entretenir le produit. Les lois locales peuvent imposer un âge minimum à l'opérateur. Les enfants doivent être bien surveillés afin de s'assurer qu'ils ne jouent pas avec le produit.
- Restez vigilant, regardez ce que vous faites et faites preuve de bon sens lorsque vous utilisez l'appareil. N'utilisez pas cette tondeuse lorsque vous êtes fatigué ou sous l'influence de l'alcool, de drogues ou de médicaments. Un moment d'inattention lors de l'utilisation de la machine suffit à provoquer de graves blessures.
- Portez des pantalons longs et épais, des manches longues, des chaussures antidérapantes robustes. Ne portez pas de pantalons courts ou de sandales, et ne travaillez pas pieds nus. Évitez de porter des vêtements amples ou qui possèdent des cordons ou attaches qui pendent.
- Portez toujours des lunettes de sécurité avec protections latérales.
- Gardez toujours un bon appui sur vos pieds, en particulier dans les pentes. Gardez un bon appui et un bon équilibre. Marchez, ne courez jamais.
- Utilisez le produit transversalement par rapport à la pente, jamais en la remontant ou en la descendant. Redoublez de vigilance lorsque vous changez de direction dans une pente.
- N'utilisez pas le produit à proximité des à-pics, des fossés, des fortes pentes ou des talus. Un mauvais appui sur le sol peut entraîner une glissade et une chute et causer un accident.

SÉCURITÉ DANS LA ZONE DE TRAVAIL

- N'utilisez jamais le produit lorsque des gens, en particulier des enfants, ou des animaux se trouvent à moins de 15 m à cause du risque de projection d'objets par la lame en rotation.
- Les objets heurtés par la lame de la tondeuse peuvent causer de graves blessures. Vérifiez avec soin la zone où vous allez utiliser la machine, et retirez-en tous les cailloux, bâtons, objets



métalliques, câbles, os, jouets et autres objets étrangers. Rappelez-vous, de la ficelle ou du câble sont susceptibles de s'emmêler dans le dispositif de coupe.

- Utilisez le produit en plein jour ou sous un bon éclairage artificiel.
- N'utilisez pas la machine en atmosphère explosive, comme en présence de liquides inflammables, de gaz ou de poussières. L'outil peut produire des étincelles capables d'enflammer poussières et vapeurs.
- N'utilisez pas la machine dans l'herbe mouillée ou sous la pluie.
- N'utilisez pas le produit en cas de risque d'éclair.
- Gardez à l'esprit que l'opérateur est responsable des accidents qui arrivent aux autres personnes présentes dans sa propriété.
- De tragiques accidents peuvent se produire si l'opérateur n'est pas conscient de la présence d'enfants. Les enfants sont souvent attirés par la machine et par le déroulement de la tonte. Ne considérez jamais comme acquis qu'un enfant restera là où vous l'avez vu pour la dernière fois.
- Maintenez les enfants éloignés de la zone de tonte et sous la surveillance attentive d'un adulte responsable autre que l'opérateur, soyez prudent et arrêtez le produit dès qu'un enfant entre dans la zone.
- Soyez particulièrement prudent lors de l'approche des angles morts, des buissons, des arbres et des autres objets, dont les arbustes en surplomb, qui peuvent bloquer la vue.

UTILISATION ET EMPLOI SOIGNEUX DES OUTILS ÉLECTRIQUES SANS FIL

- Lisez, comprenez et suivez toujours les instructions de sécurité qui accompagnent votre batterie et son chargeur. Le non-respect de cette consigne pourrait entraîner une décharge électrique, un incendie ou autres situations dangereuses. Gardez toutes les instructions ensemble en lieu sûr pour vous-y reporter dans le futur.
- Les appareils alimentés par batterie n'ont pas à être branchés sur le secteur; ils sont donc en permanence en état de fonctionner. Retirez la clé d'isolation lorsque vous ne vous servez pas du produit.

- Retirez le bloc de batteries avant toute opération de réglage, de nettoyage, ou de retrait de corps étrangers de l'appareil.
- Assurez-vous que la clé coupe-contact a été retirée avant d'insérer le pack batterie.
- Un pack batterie ne peut être rechargé qu'à l'aide du chargeur préconisé par le fabricant. L'utilisation d'un chargeur avec un pack batterie incompatible peut entraîner un risque d'incendie. N'utilisez le pack batterie qu'avec le chargeur indiqué.
- N'utilisez que le pack batterie spécifiquement prévu pour la machine. L'utilisation de tout autre pack batterie peut entraîner un incendie, une décharge électrique, ou des blessures.
- **Lorsqu'un bloc de batterie n'est pas utilisé, maintenez-le à l'écart de tout autre objet métallique, par exemple trombones, pièces de monnaie, clés, clous, vis ou autres objets de petite taille qui peuvent donner lieu à une connexion d'une borne à une autre.** La mise en court-circuit des bornes du pack batterie pourrait causer des étincelles, des brûlures, un incendie, ou une explosion.
- Ne mettez pas les appareils alimentés par batterie ni leur batterie à proximité du feu ou d'une source de chaleur. Ceci augmente les risques d'explosion et de blessures.
- N'ouvrez pas et n'abîmez pas le pack batterie. Les fuites d'électrolyte sont corrosives et sont susceptibles de causer des dommages aux yeux ou à la peau. L'électrolyte peut être toxique en cas d'ingestion.
- Protégez le pack batterie de l'humidité et de l'eau. Ne rechargez pas cet appareil en milieu humide ou mouillé. Respecter cette règle permet de réduire le risque de choc électrique.
- Si la batterie est endommagée ou utilisée de façon inappropriée, des vapeurs sont susceptibles d'être émises. Aérez les lieux et contactez un médecin en cas de gêne. Les vapeurs peuvent irriter le système respiratoire.
- Ne laissez pas le pack batterie dans un véhicule sous des conditions de température froides ou chaudes.
- N'incinerez pas la batterie.
- En cas d'utilisation abusive, du liquide



peut sortir du bloc de batterie. Évitez tout contact avec ce liquide. En cas de contact accidentel, rincez soigneusement avec de l'eau. En cas de contact avec les yeux, consultez également un médecin. Le liquide qui sort du bloc de batterie peut entraîner des irritations de la peau ou causer des brûlures.

AVERTISSEMENTS DE SÉCURITÉ RELATIFS À LA TONDEUSE À GAZON

- Avant utilisation, vérifiez toujours visuellement que les lames, boulons de lame, et ensembles de coupe ne sont ni usés ni endommagés.
- Remplacez toujours les lames usées ou endommagées ainsi que les boulons dans leur ensemble pour conserver l'équilibre.
- La lame dont est équipé le produit est très coupante. Soyez particulièrement prudent et portez des gants solides lorsque vous mettez en place, remplacez, nettoyez ou vérifiez le bon serrage de ses boulons.
- Apportez le produit à un service après-vente agréé pour remplacer les étiquettes abîmées ou illisibles.
- Vérifiez régulièrement le bon serrage des écrous, vis et boulons pour que le produit soit toujours en bon état de fonctionnement.
- Frequently check the grass catcher for wear, holes, or deterioration.
- Remplacez les éléments usés ou endommagés avant d'utiliser le produit.
- Le produit doit être démarré avec l'utilisateur se tenant derrière le guidon dans la zone de sécurité de l'opérateur. Ne démarrez jamais le produit si:
 - l'ensemble des quatre roues ne repose pas sur le sol
 - La chute d'évacuation de l'herbe est exposée et n'est pas protégée par le bac à herbe et le cache de chute d'évacuation de l'herbe
 - les mains et les pieds de toutes les personnes présentes ne sont pas à l'écart du carter de coupe
- N'utilisez jamais le produit si l'interrupteur Marche/Arrêt du guidon n'est pas en état de bien démarrer et arrêter le produit.
- Ne tentez jamais de bloquer les interrupteurs Marche/Arrêt en position MARCHE ; ceci est extrêmement dangereux.
- Ne faites pas forcer le produit. Il effectuera un meilleur travail dans de meilleures conditions de sécurité s'il est utilisé à la vitesse pour laquelle il a été conçu.
- Arrêtez la lame lorsque vous traversez des surfaces recouvertes de graviers.
- Ne tirez pas le produit en arrière à moins que cela ne soit absolument nécessaire. Si vous devez reculer la machine pour l'éloigner d'un mur ou d'un obstacle, regardez d'abord par terre et derrière vous pour éviter de trébucher ou de faire passer la machine sur vos pieds.
- Arrêtez le moteur et attendez que la lame s'arrête si vous devez incliner la tondeuse pour lui faire traverser des surfaces non herbeuses, et lorsque vous la transportez vers et depuis la surface à tondre.
- N'utilisez jamais la machine si un de ses carters ou une de ses protections sont endommagés, ou dont les éléments de sécurité, tels que déflecteur et/ou panier de ramassage ne sont pas en place.
- Ne pas incliner le produit lors de la mise en marche ou du fonctionnement du moteur. Si cela est absolument nécessaire, vous pouvez soulever l'avant de la tondeuse jusqu'à 5 cm pour démarrer plus facilement. Appuyer sur la poignée pour cela. Toujours remettre la tondeuse dans sa position normale avec toutes les roues au sol avant la tonte. Faire basculer la tondeuse expose la lame et augmente la probabilité que des objets soient éjectés et qu'il y ait un contact accidentel avec la lame.
- Allumer prudemment le moteur en respect des instructions et maintenir les mains et les pieds éloignés des lames. Ne mettez pas vos pieds ou vos mains sous les pièces en rotation ou à leur proximité.
- Ne transportez ni ne soulevez jamais le produit lorsque son moteur tourne.
- Arrêter le produit, retirer la clé de l'isolateur et la batterie. Assurez-vous que tous les éléments en mouvement se sont bien arrêtés:
 - chaque fois que vous laissez le produit sans surveillance (y-compris lorsque vous videz le sac de ramassage de l'herbe).
 - Avant de nettoyer un blocage ou de décolmater la chute de décharge



- avant de travailler sur le produit, de le vérifier ou de le nettoyer
- avant de retirer le bac de ramassage ou d'ouvrir le volet de fermeture du conduit d'évacuation de l'herbe
- après avoir heurté un objet étranger ; vérifiez l'absence de dommages sur l'appareil et effectuez les éventuelles réparations nécessaires avant de redémarrer la machine et de l'utiliser.
- si le produit se met à vibrer de façon anormale (vérifiez immédiatement)
 - vérifiez les dommages éventuels, en particulier lorsque cela concerne les lames ;
 - remplacez ou réparez toute pièce endommagée
 - vérifiez l'absence d'éléments desserrés et resserrez-les au besoin
- Évitez trous, racines, monticules, pierres et autres objets cachés. Un terrain accidenté peut provoquer une glissade et une chute entraînant un accident.
- Assurez-vous toujours que le câble de commande du moteur n'est jamais coincé, pincé ou endommagé au cours du montage ou du repliage du guidon.

détectée, l'appareil s'éteint automatiquement. En cas de déclenchement de la protection contre les surcharges, le bouton marche-arrêt doit être relâché. Appuyez sur le bouton marche-arrêt pour remettre le produit en marche.

Le pack batterie est équipé d'une protection contre les surchauffes. Une température excessive entraîne l'arrêt de l'alimentation de l'outil par la batterie. Toucher le pack batterie ; s'il est trop chaud, le laisser refroidir avant de reprendre l'utilisation. Si l'outil ne fonctionne toujours pas, rechargez la batterie.

REMARQUE: Le voyant LED du pack batterie ne fonctionnera pas si le dispositif de protection intégré s'est déclenché, entraînant l'arrêt de l'outil. Relâcher le bouton marche/arrêt ou retirer le pack batterie du produit et le voyant à LED de la batterie reprend sa fonction normale.

CONSEILS GÉNÉRAUX DE TONTE

L'autonomie de la batterie dépend de l'état, de la hauteur, et de la densité de l'herbe.

Réglez la hauteur de coupe de la tondeuse à gazon en fonction de l'état de l'herbe à tondre.

MISES EN GARDE DE SÉCURITÉ SUPPLÉMENTAIRES CONCERNANT LA BATTERIE

⚠ AVERTISSEMENT

Pour réduire le risque d'incendie, de blessures ou d'endommagement du produit causé par un court-circuit, n'immergez jamais l'outil, le bloc de batterie ou le chargeur dans du liquide, et ne laissez jamais de liquide pénétrer dans aucun d'entre eux. Les fluides corrosifs ou conducteurs, tels que l'eau de mer, certains produits chimiques industriels, les produits de blanchiment ou contenant des agents de blanchiment, etc. peuvent provoquer un court-circuit.

FONCTIONS DU PRODUIT

SURCHARGE ET PROTECTION CONTRE LA SURCHAUFFE

Le produit possède un dispositif de protection contre la surcharge. Lorsqu'une surcharge est

* Batterie: RB18L40

- Pour de meilleures performances, coupez toujours un tiers de la hauteur totale de l'herbe ou moins.
- Lorsque vous tondez de l'herbe haute, réduisez votre vitesse de progression pour permettre une meilleure coupe et une éjection plus efficace de l'herbe.
- Ne coupez pas de l'herbe humide; elle se collerait au-dessous du carter et empêcherait le bon ramassage ou la bonne éjection des brins d'herbe.
- L'herbe épaisse ou les nouvelles pousses peuvent nécessiter une hauteur de coupe plus importante.

- EN
- FR
- DE
- ES
- IT
- NL
- PT
- DA
- SV
- FI
- NO
- RU
- PL
- CS
- HU
- RO
- LV
- LT
- ET
- HR
- SL
- SK
- BG
- UK
- TR



- Pour collecter les résidus de tonte afin de les éliminer, retirer l'obturateur de mulching et insérer le bac de récupération. Veiller à ce que la goulotte d'éjection d'herbe soit bien fermée. Videz le bac régulièrement, sinon la goulotte d'éjection subira un bourrage d'herbe coupée.
- Pour laisser l'herbe coupée sur la pelouse en cas de coupe légère, installer l'obturateur de mulching et fermer le capot de la goulotte d'éjection afin de couvrir l'ouverture d'éjection. Dans ce cas, il n'est pas nécessaire d'installer le bac de récupération.
- Le produit est conçu pour fonctionner et assurer une coupe optimale en marche avant.
- Une plus grande hauteur de coupe augmente l'autonomie de la batterie.

TRANSPORT ET STOCKAGE

- Arrêter le produit, retirer la clé de l'isolateur et la batterie. Assurez-vous que tous les éléments en mouvement se sont bien arrêtés. Laissez le produit refroidir suffisamment avant de le ranger ou de le transporter.
- Débarrassez l'appareil de tous les corps étrangers. Rangez la en un endroit frais, sec et correctement ventilé, hors de portée des enfants. Ne la rangez pas à proximité d'agents corrosifs tels que produits chimiques de jardinage ou sels de dégel. Ne le rangez pas à l'extérieur.
- Pour le transport dans un véhicule, retirer la clé de l'isolateur et empêcher tout mouvement ou chute du produit pour éviter les blessures physiques, les dégradations du produit ou la perte de carburant.

⚠ AVERTISSEMENT

Soyez particulièrement prudent lorsque vous inclinez ou soulevez la machine pour l'entretenir, la nettoyer, la ranger ou la transporter. La lame est coupante. Gardez toutes les parties du corps éloignées de la lame lorsque celle-ci est à découvert.

TRANSPORT DES BATTERIES AU LITHIUM

Transportez les batteries en conformité avec les dispositions et règlements locaux et nationaux.

Respectez tous les exigences légales particulières concernant l'emballage et l'étiquetage des batteries lorsque vous confiez leur transport à un tiers. Assurez-vous qu'aucune batterie ne puisse entrer en contact avec une autre batterie ou avec des matériaux conducteurs lors de son transport en isolant les bornes électriques avec du ruban adhésif ou des capuchons isolants. Ne transportez pas une batterie qui serait fendue ou qui fuirait. Demandez conseil au transporteur pour de plus amples informations.

ENTRETIEN

⚠ AVERTISSEMENT

N'utilisez que des pièces détachées et accessoires d'origine constructeur. Le non respect de cette précaution peut entraîner de mauvaises performances, des blessures, et annuler votre garantie.

⚠ AVERTISSEMENT

Les opérations d'entretien demandent un soin et des connaissances extrêmes et ne doivent être effectuées que par un technicien de service qualifié. Confier l'entretien du produit à un centre d'entretien agréé. N'utilisez que des pièces détachées identiques pour effectuer les réparations.

- Arrêter le produit, retirer la clé de l'isolateur et la batterie. S'assurer que toutes les pièces mobiles se sont arrêtées entièrement avant toute tâche de nettoyage ou de maintenance.
- Vous n'êtes autorisé à effectuer que les réglages et réparations décrits dans ce manuel. Pour les autres réparations, contactez un service après-vente agréé.
- Pour des raisons de sécurité, remplacez toute pièce usée ou endommagée.
- Vérifiez que régulièrement que le bac de ramassage n'est ni usé ni endommagé.
- Après chaque utilisation, utilisez un chiffon propre et sec pour nettoyer le produit. Toute pièce endommagée doit être correctement remplacée ou réparée par un service après-vente agréé.
- Vérifiez régulièrement le bon serrage des écrous, vis et boulons pour que le produit soit toujours en bon état de fonctionnement.



EN
FR
DE
ES
IT
NL
PT
DA
SV
FI
NO
RU
PL
CS
HU
RO
LV
LT
ET
HR
SL
SK
BG
UK
TR

- Lors du réglage de la machine, prenez garde de ne pas vous coincer les doigts entre les lames et les parties fixes de la machine.
- Lorsque vous entretenez les lames, soyez conscient que les lames ont toujours la possibilité de bouger, même si l'alimentation est coupée.
- La lame dont est équipé le produit est très coupante. Soyez particulièrement prudent et portez des gants solides lorsque vous mettez en place, remplacez, nettoyez ou vérifiez le bon serrage de ses boulons.
- Remplacez toujours les lames usées ou endommagées ainsi que les boulons dans leur ensemble pour conserver l'équilibre.
- Les boulons de la lame doivent être correctement serrés. **Voir les recommandations du fabricant quant au couple de serrage des boulons qui est indiqué dans le tableau de spécification du présent manuel.**

RETIRER LES BLOCAGES

- Arrêter le produit, retirer la clé de l'isolateur et la batterie. Assurez-vous que tous les éléments en mouvement se sont bien arrêtés.
- Portez toujours des gants de protection épais lorsque vous vérifiez et dégagez un blocage.
- Les lames sont tranchantes. Le blocage peut être provoqué par un objet tranchant.
- Retirez le bac à herbe, vérifiez et éliminez les obstructions prudemment.
- Vérifiez la goulotte d'éjection de l'herbe du point de vue des blocages et éliminez-les prudemment.
- Tournez le produit sur le côté et vérifiez sa partie inférieure et la zone autour de la lame. Si vous trouvez des blocages, éliminez-les prudemment. Notez que la lame peut bouger pendant le nettoyage.

RISQUES RÉSIDUELS

Même lorsque le produit est utilisé selon les prescriptions, il reste impossible d'éliminer totalement certains facteurs de risque résiduels. Les dangers suivants risquent de se présenter en cours d'utilisation et l'utilisateur doit prêter particulièrement garde à ce qui suit:

- Blessures dues aux vibrations
 - Utilisez toujours l'outil adapté au travail à effectuer. Servez-vous des poignées appropriées et limitez le temps de travail et d'exposition.
- injury caused by noise
 - L'exposition au bruit peut provoquer des pertes d'audition. Portez une protection auditive et limitez le temps d'exposition
- Blessures dues à l'entrée en contact avec les lames de coupe.
- Blessure causée par des objets projetés.

RÉDUCTION DES RISQUES

Il a été reporté que les vibrations engendrées par les outils tenus à la main peuvent contribuer à l'apparition d'un état appelé le syndrome de Raynaud chez certaines personnes. Les symptômes peuvent comprendre des fourmillements, un engourdissement et un blanchiment des doigts, généralement par temps froid. Des facteurs héréditaires, l'exposition au froid et à l'humidité, le régime alimentaire, le tabagisme et les habitudes de travail peuvent contribuer au développement de ces symptômes. Certaines mesures peuvent être prises par l'utilisateur pour aider à réduire les effets des vibrations:

- Gardez votre corps au chaud par temps froid. Lorsque vous utilisez le produit, portez des gants afin de garder vos mains et vos poignets au chaud. Le temps froid est considéré comme un facteur contribuant très largement à l'apparition du Syndrome de Raynaud.
- Après chaque session de travail, pratiquez des exercices qui favorisent la circulation sanguine.
- Faites des pauses fréquentes. Limitez la quantité d'exposition journalière.

Si vous ressentez l'un des symptômes associés à ce syndrome, arrêtez immédiatement le travail et consultez votre médecin pour lui en faire part.

⚠ AVERTISSEMENT

L'utilisation prolongée d'un outil est susceptible de provoquer ou d'aggraver des blessures. Assurez-vous de faire des pauses de façon régulière lorsque vous utilisez tout outil de façon prolongée.



APPRENEZ À CONNAÎTRE VOTRE PRODUIT

Voir page 193.

Pièces

1. Poignée
2. Bouton On-off (marche-arrêt)
3. Bouton de démarrage
4. Câble de commande du moteur
5. Attache de câble de commande du moteur
6. Trappe de la batterie
7. Bouton de guidon
8. Indicateur de bac de ramassageplein
9. Bac de ramassage d'herbe
10. Capot de la goulotte d'éjection d'herbe
11. Verrouillage de la poignée
12. Roue arrière
13. Levier de réglage de hauteur de coupe
14. Roue avant
15. Clé coupe-contact
16. Batterie
17. Chargeur
18. Accessoire de paillage

SYMBOLES APPLIQUES SUR LE PRODUIT



Lisez et comprenez toutes les instructions avant d'utiliser le produit, respectez tous les avertissements et toutes les instructions de sécurité.



Portez une protection auditive.



Portez une protection oculaire.



Ne travaillez pas dans des pentes supérieures à 15°. Tondez transversalement par rapport à la pente, jamais en la remontant ou en la descendant.



N'exposez pas ce produit à la pluie ou à des conditions humides.



Prenez garde aux lames coupantes. Les lames continuent de tourner une fois le moteur coupé - Retirez la clé d'isolation avant toute opération d'entretien



Prenez garde à la projection d'objets au sol et dans les airs. Gardez tous les passants, en particulier les enfants et les animaux, éloignés d'au moins 15 m de distance de la zone de travail.



La poignée a 3 niveaux de réglage de la hauteur. Vérifier pour s'assurer que les tubes soient correctement insérés au niveau le plus élevé.

La poignée peut glisser en dehors des trous si elle n'est pas correctement insérée et verrouillée.



Appuyez sur le bouton Démarrage puis sur le bouton Marche/Arrêt (A ou B) pour démarrer le produit. Relâchez le bouton Démarrage et maintenez le bouton Marche/Arrêt enfoncé pour faire fonctionner le produit. Relâchez le bouton Marche/Arrêt pour arrêter le produit.



Marche



Arrêt



Veillez lire attentivement le mode d'emploi avant de démarrer la machine.



Les produits électriques hors d'usage ne doivent pas être jetés avec les ordures ménagères. Recyclez-les par l'intermédiaire des structures disponibles. Contactez les autorités locales ou votre distributeur pour vous renseigner sur les conditions de recyclage.



Cet outil est conforme à l'ensemble des normes réglementaires du pays de l'UE où il a été acheté.



Marque de qualité EurAsian



Marque de conformité ukrainienne



Le niveau de puissance acoustique garanti indiqué sur cette étiquette est de 96 dB.

Les symboles suivants, et les noms qui leur sont associés, permettent d'expliquer les différents niveaux de risques liés à l'utilisation de cet outil.

⚠ DANGER

Imminence d'un danger qui, si l'on n'y prend garde, peut entraîner la mort ou des blessures graves.

⚠ AVERTISSEMENT

Situation potentiellement dangereuse qui, si l'on n'y prend garde, peut entraîner la mort ou des blessures graves.

⚠ MISE EN GARDE

Situation potentiellement dangereuse qui, si l'on n'y prend garde, peut entraîner des blessures moyennes ou légères.

MISE EN GARDE

(Sans symbole d'alerte de sécurité) Indique une situation pouvant entraîner des dommages matériels.

SYMBOLES DE CE MANUEL



Pièces détachées et accessoires vendus séparément



Remarque



AVERTISSEMENT

- EN
- FR**
- DE
- ES
- IT
- NL
- PT
- DA
- SV
- FI
- NO
- RU
- PL
- CS
- HU
- RO
- LV
- LT
- ET
- HR
- SL
- SK
- BG
- UK
- TR

Sicherheit, Leistung und Zuverlässigkeit hatten oberste Priorität bei der Entwicklung Ihres Akku-Rasenmähers.

BESTIMMUNGSGEMÄSSE VERWENDUNG

Der Akku-Rasenmäher ist nur zum Einsatz im Freien vorgesehen.

Das Produkt ist zum Rasenmähen im häuslichen Bereich vorgesehen. Das Messer dreht sich ungefähr parallel zum Boden, über den es sich bewegt. Alle vier Räder sollten beim Mähen den Boden berühren. Es ist ein handgeführter Rasenmäher, der manuell geschoben werden muss.

Das Produkt sollte niemals mit den Rädern abgehoben vom Boden betrieben werden; es sollte nicht gezogen oder darauf gesessen werden. Es sollte nur zum Schneiden von Hausrasen benutzt werden.

Es darf zu keinen anderen Zwecken verwendet werden.

ALLGEMEINE SICHERHEITSWARNUNGEN

⚠ WARNUNG

Die Sicherheitsregeln müssen befolgt werden, wenn dieses Produkt benutzt wird. Lesen Sie für Ihre eigene Sicherheit und die von Außenstehenden diese Anweisungen, bevor Sie das Produkt benutzen. Bitte bewahren Sie die Anweisungen zum späteren Nachschlagen auf.

⚠ WARNUNG

Das Produkt darf nur mit dem Akku verwendet werden, der in dieser Bedienungsanleitung spezifiziert ist. Bei der Verwendung von akkubetriebenen Geräten müssen jederzeit grundsätzliche Vorsichtsmaßnahmen befolgt werden, um das Risiko eines Feuers, auslaufender Akkus und von Verletzungen zu reduzieren.

SICHERHEIT VON PERSONEN

- Das Produkt ist in der Lage Hände und Füße zu amputieren und Gegenstände zu schleudern. Sollten Sie diese Hinweise nicht beachten, so kann dies schwere Personenschäden hervorrufen bis hin zum

Tod.

- Machen Sie sich mit den Bedienelementen und dem ordnungsgemäßen Gebrauch des Produktes vertraut.
- Erlauben Sie niemals Kinder oder Personen mit verminderten physischen, geistigen oder sensorischen Fähigkeiten oder Personen, die mit diesen Anweisungen nicht vertraut sind, das Produkt zu bedienen, reinigen oder zu warten. Die lokale Gesetzgebung regelt das Mindestalter des Benutzers. Kinder müssen ausreichend beaufsichtigt werden, so dass gewährleistet ist, dass sie nicht mit dem Produkt spielen.
- Bleiben Sie wachsam, achten Sie auf das was Sie tun und verwenden Sie bei der Benutzung des Gerätes Ihren gesunden Menschenverstand. Benutzen Sie das Gerät nicht wenn Sie müde sind oder unter dem Einfluss von Alkohol, Drogen oder Medikamenten stehen. Ein unkonzentrierter Moment während der Bedienung der Maschine kann zu schweren Verletzungen führen.
- Tragen Sie lange, schwere Hosen, Kleidung mit langen Ärmeln und rutschfeste Stiefel. Keine kurze Hosen, Sandalen tragen oder barfuß arbeiten. Vermeiden Sie locker sitzende Kleidung oder Kleidung mit Schnüren oder Bändern zu tragen.
- Tragen Sie eine Schutz- oder Sicherheitsbrille mit Seitenschutz.
- Achten Sie immer auf einen festen Stand, besonders bei der Arbeit an Hängen. Sorgen Sie für einen sicheren Stand und halten Sie das Gleichgewicht. Gehen Sie immer im Schrittempo, laufen Sie nie.
- Benutzen Sie das Produkt quer entlang von Hängen, niemals nach oben und unten. Seien Sie extrem vorsichtig, wenn Sie an Hängen die Fahrtrichtung wechseln.
- Verwenden Sie das Produkt nicht am Rand von Abhängen, Gräben, übermäßigen Steigungen oder Böschungen. Ein unsicherer Stand kann zum Ausrutschen und dadurch zu Unfällen führen.

ARBEITSPLATZSICHERHEIT

- Benutzen Sie das Produkt niemals während Menschen, besonders Kinder, oder Tiere sich im Umkreis von 15 m befinden, weil die Gefahr besteht, dass Gegenstände vom Messer geschleudert werden könnten.



- Objekte, die vom Rasenmäher-Schneidmesser geschleudert werden, können schwere Personenschäden verursachen. Untersuchen Sie den Bereich, in dem die Maschine verwendet werden soll, gründlich und entfernen Sie alle Steine, Stöcke, Metall, Draht, Knochen, Spielzeug oder andere fremde Objekte. Vergessen Sie nicht, Schnur oder Draht kann sich in dem Schneidwerkzeug verfangen.
- Mähen Sie immer im Tageslicht oder bei guter künstlicher Beleuchtung.
- Betreiben Sie die Maschine nicht in einer explosiven Atmosphäre, wie in der Umgebung von brennbaren Flüssigkeiten, Gasen oder Staub. Das Produkt erzeugt Funken, die den Staub oder die Dämpfe entzünden können.
- Betreiben Sie das Produkt nicht in nassem Gras oder im Regen.
- Benutzen Sie das Produkt nicht, wenn die Gefahr von Blitzschlag besteht.
- Vergessen Sie nie, dass der Benutzer verantwortlich ist für Unfälle und Gefahren, die an Eigentum Fremder oder an anderen Personen entstehen könnte.
- Es können schwere Unfälle entstehen, wenn der Benutzer die Anwesenheit von Kindern nicht beachtet. Kinder fühlen sich oft von der Maschine und der Aktivität angezogen. Nehmen Sie nicht an, dass Kinder sich dort aufhalten werden, wo Sie sie zuletzt gesehen haben.
- Halten Sie die Kinder von der Mähumgebung entfernt und unter Aufsicht eines Erwachsenen, der nicht der Bediener ist. Seien Sie wachsam und schalten Sie das Produkt aus, wenn ein Kind die Umgebung betritt.
- Seien Sie vorsichtig, wenn Sie sich blinden Ecken, Sträuchern, Bäumen, überhängenden Buschwerke oder anderen Objekten nähern, die Ihre Sicht beeinträchtigen könnten.

VERWENDUNG UND BEHANDLUNG DES AKKUWERKZEUGES

- Lesen, verstehen und befolgen Sie immer die mit Ihrem Akku und Ladegerät gelieferten Sicherheitsanweisungen. Nichtbefolgen kann zu Stromschlag, Feuer oder anderen gefährlichen Situationen

führen. Halten Sie alle Anweisungen zum späteren Nachlesen an einem sicheren Ort beisammen.

- Akkubetriebene Produkte müssen nicht an eine Steckdose angeschlossen werden; sie sind daher jederzeit betriebsbereit. Entfernen Sie den Sicherheitsschlüssel immer, wenn Sie Ihr Produkt nicht benutzen.
- Entfernen Sie den Akku, bevor Sie Einstellungen vornehmen, Reinigen oder Material von dem Gerät entfernen.
- Stellen Sie sicher, dass der Sicherheitsschlüssel entfernt ist, bevor Sie den Akku einlegen.
- Ein Akku darf nur mit dem vom Hersteller vorgeschriebenen Ladegerät aufgeladen werden. Die Benutzung eines Ladegerätes mit einem inkompatiblen Akku kann ein Feuerrisiko verursachen. Verwenden Sie den Akku ausschließlich mit dem angegebenen Ladegerät.
- Verwenden Sie nur den speziell für dieses Gerät vorgesehenen Akku. Die Verwendung anderer Akkus kann zu Feuergefahr, Stromschlägen oder Verletzungen führen.
- **Halten Sie den nicht benutzten Akku fern von Büroklammern, Münzen, Schlüsseln, Nägeln, Schrauben oder anderen kleinen Metallgegenständen, die eine Überbrückung der Kontakte verursachen könnten.** Ein Kurzschluss zwischen den Akkukontakten kann Verbrennungen oder Feuer zur Folge haben.
- Halten Sie batteriebetriebene Produkte bzw. deren Akkus von Feuer und Hitze fern. Das erhöht das Explosions- und Verletzungsrisiko.
- Öffnen oder beschädigen Sie den Akku nicht. Freigesetztes Elektrolyt ist ätzend und kann zu einer Schädigung von Augen oder Haut führen. Es kann bei Verschlucken toxisch wirken.
- Schützen Sie den Akku vor Feuchtigkeit und Wasser. Laden Sie das akkubetriebene Gerät nicht an feuchten oder nassen Orten auf. Durch Befolgung dieser Anweisung wird das Risiko von elektrischen Schlägen verringert.
- Im Fall einer Beschädigung oder nicht

EN
FR
DE
ES
IT
NL
PT
DA
SV
FI
NO
RU
PL
CS
HU
RO
LV
LT
ET
HR
SL
SK
BG
UK
TR



ordnungsgemäßen Verwendung des Akkus, können Dämpfe austreten. Sorgen Sie für frische Luft und suchen Sie bei Beschwerden einen Arzt auf. Die Dämpfe können zu einer Reizung des Atemsystems führen.

- Lassen Sie den Akkupack nicht bei heißen oder kalten Bedingungen in einem Fahrzeug.
- Verbrennen Sie den Akku nicht.
- Bei falscher Anwendung kann Flüssigkeit aus dem Akku austreten. Vermeiden Sie den Kontakt damit. Bei zufälligem Kontakt mit Wasser abspülen. Wenn die Flüssigkeit in die Augen kommt, nehmen Sie zusätzlich ärztliche Hilfe in Anspruch. Austretende Akkufflüssigkeit kann zu Hautreizungen oder Verbrennungen führen.

SICHERHEITSWARNUNGEN FÜR RASENMÄHER

- Überprüfen Sie vor der Benutzung immer, die Messer, Messerbolzen und Messereinheit um sicherzustellen, das sie nicht abgenutzt oder beschädigt sind.
- Ersetzen Sie abgenutzte oder beschädigte Messer und Bolzen als Einheit um Unwucht zu vermeiden.
- Das Messer des Produktes ist scharf. Seien Sie vorsichtig und tragen Sie feste Schutzhandschuhe, wenn Sie etwas montieren, austauschen, reinigen oder den Sitz von Schrauben überprüfen.
- Bringen Sie das Produkt einem autorisierten Kundendienst zurück, um beschädigte oder unleserliche Aufkleber zu ersetzen.
- Überprüfen Sie Bolzen, Muttern und Schrauben in regelmäßigen Abständen, ob sie alle fest angezogen sind, um somit sicherzustellen, das das Produkt in einem sicheren Zustand ist.
- Prüfen Sie den Grasfangkorb regelmäßig auf Abnutzung, Löcher oder Verschleiß.
- Ersetzen Sie abgenutzte oder beschädigte Teile, bevor Sie das Produkt in Betrieb nehmen.
- Das Produkt darf nur gestartet werden, während der Benutzer sich hinter dem Griff in dem sicheren Bereich für den Benutzer befindet. Starten Sie das Produkt niemals, wenn:
 - Nicht alle vier Räder auf dem Boden stehen.
 - Der Gras-Auswurfschacht frei liegt ohne von dem Grasfänger und Deckel der Auswurföffnung geschützt zu sein.
 - Hände und Füße aller Personen nicht fern von dem Schneidgehäuse sind.
- Betreiben Sie das Produkt niemals, wenn der An-/Ausschalter am Handgriff das Produkt nicht ordnungsgemäß an- oder ausschaltet.
- Versuchen Sie niemals den An-/Ausschalter in der AN Position zu verriegeln; das ist extrem gefährlich.
- Betätigen Sie das Produkt nicht mit Gewalt. Es wird die Arbeit mit der Geschwindigkeit, für die es ausgelegt wurde, besser und sicherer erledigen.
- Stoppen Sie das Messer, wenn Sie Kiesflächen überqueren.
- Ziehen Sie den Mäher nur rückwärts, wenn dies absolut notwendig ist. Wenn Sie das Produkt von einer Wand oder einem Hindernis fortziehen müssen, sehen Sie zuerst nach unten, um zu vermeiden, dass Sie stolpern oder mit der Maschine über Ihre Füße fahren.
- Halten Sie den Motor an und lassen die Messer stoppen, wenn das Produkt zum Transport oder dem Überqueren von anderem Untergrund als Gras gekippt werden muss, und wenn Sie das Produkt zum und vom Mähbereich transportieren.
- Benutzen Sie das Produkt niemals mit defekten Schutzvorrichtungen oder Abschirmungen, oder ohne Sicherheitsvorrichtungen, wie z.B. Abweisern und/oder Grasfangkorb.
- Kippen Sie den Rasenmäher nicht, wenn Sie den Motor starten oder der Motor läuft. Falls absolut notwendig, können Sie die Vorderseite des Rasenmähers anheben, aber nicht mehr als 5 cm, um einen leichteren Start zu ermöglichen. Drücken Sie hierfür den Handgriff vorsichtig nach unten. Bevor Sie zu mähen beginnen, den Mäher stets in die normale Betriebsposition (d.h. alle vier Rädern sind auf dem Boden) zurückbringen. Wenn man der Mäher kippt, wird das Messer freigelegt, und dies erhöht die Möglichkeit, dass Objekte geschleudert werden und dass man mit dem Messer versehentlich in Kontakt kommt.

- Schalten Sie den Motor gemäß der Anleitung an und halten Sie Hände und Füße von dem Schnittbereich fern. Halten Sie Ihre Hände oder Füße nicht in die Nähe von oder unter rotierende Teile.
- Heben oder tragen Sie niemals das Produkt mit laufendem Motor.
- Stoppen Sie das Produkt und entfernen den Sicherheitsschlüssel und den Akku. Stellen Sie sicher, dass alle bewegenden Teile vollständig angehalten sind:
 - Immer wenn Sie das Produkt unbeaufsichtigt zurücklassen (einschließlich wenn Sie den Grasschnitt entsorgen).
 - bevor Sie eine Blockierung lösen oder den Auswurfkanal leeren
 - Bevor Sie das Produkt prüfen, reinigen oder daran arbeiten
 - bevor Sie den Grasfangkorb entfernen oder die Abdeckung des Grasauswurfs öffnen.
 - Nachdem Sie einen Fremdkörper getroffen haben; überprüfen Sie das Gerät auf Schäden und führen alle notwendigen Reparaturen durch, bevor Sie das Produkt wieder starten.
 - wenn die Maschine anfängt ungewöhnlich zu vibrieren (sofort überprüfen).
 - auf Schäden zu überprüfen, besonders die Messer.
 - beschädigte Teile zu ersetzen oder reparieren
 - zu überprüfen, ob Teile locker sind und sie festzuziehen, wenn erforderlich
- Vermeiden Sie Löcher, Furchen, Unebenheiten, Steine oder sonstige versteckte Objekte. Unebenes Terrain birgt eine Rutsch- und Unfallgefahr.
- Stellen Sie immer sicher, dass das Motorkontrollkabel bei der Montage oder dem Einklappen des Griffs niemals eingeklemmt oder anderweitig beschädigt wird.

WEITERE SICHERHEITSHINWEISE ZUM AKKU

⚠️ WARNUNG

Um die durch einen Kurzschluss verursachte Gefahr eines Brandes, von Verletzungen oder Produktbeschädigungen zu vermeiden, tauchen Sie das Werkzeug, den Wechselakku oder das Ladegerät nicht in Flüssigkeiten ein und sorgen Sie dafür, dass keine Flüssigkeiten in die Geräte und Akkus eindringen. Korrodierende oder leitfähige Flüssigkeiten, wie Salzwasser, bestimmte Chemikalien und Bleichmittel oder Produkte, die Bleichmittel enthalten, können einen Kurzschluss verursachen.

FUNKTIONEN DES GERÄTS

ÜBERLAST-UND ÜBERHITZUNGSSCHUTZ

Das Produkt hat eine Überlast-Schutzeinrichtung. Wenn eine Überlastung entdeckt wird, schaltet sich das Produkt automatisch aus. Wenn der Überlastschutz ausgelöst wird muss der An-/Ausschalter losgelassen werden. Drücken Sie den An-/Ausschalter, um das Produkt erneut zu starten.

Der Akkupack verfügt über einen Überhitzungsschutz. Sehr hohe Temperaturen bewirken, dass der Akku das Produkt nicht länger mit Strom versorgt. Berühren Sie den Akku; falls er zu warm ist, lassen Sie ihn abkühlen bevor Sie wieder arbeiten. Falls das Produkt dann immer noch nicht funktioniert, laden Sie den Akku auf.

HINWEIS: Die LED der Ladezustandsanzeige des Akkus funktioniert nicht, wenn die Akkuschutzfunktion ausgelöst wurde und der Akku das Produkt nicht mehr mit Strom versorgt. Lassen Sie den An-/Ausschalter des Produkts los oder entfernen Sie den Akku aus dem Werkzeug; die LED der Ladezustandsanzeige des Akkus nimmt daraufhin die normale Funktion wieder auf.

ALLGEMEINE TIPPS ZUM MÄHEN

Die Laufzeit des Akkus hängt von dem Zustand, der Länge und Dichte des Grases ab.

Stellen Sie die Schnitthöhe des Rasenmähers passend für das aktuell zu mähende Gras ein.

Graszustand	Empfohlene Einstellung der Schnitthöhe		Reichweite (maximal)	
	Erster Durchgang	Weitere Durchgänge	4 Ah Akku	5 Ah Akku
Sehr dünn / trocken	3	2	200 m ²	250 m ²
dünn / trocken	4	3 → 2	150 m ²	200 m ²
Mittel / dicht	5	4 → 3	100 m ²	150 m ²

* Akku RB18L40

- Schneiden Sie für das beste Ergebnis immer ein Drittel oder weniger der Grashöhe ab.
- Sollten Sie hohes Gras mähen, reduzieren Sie Ihre Geschwindigkeit um das beste Arbeitsergebnis zu erhalten.
- Mähen Sie kein nasses Gras, es klebt an der Unterseite des Mähers und verhindert die ordentliche Sammlung oder den Auswurf des Schnittguts.
- Neues oder schweres Gras kann eine größere Schnitthöhe erfordern.
- Wenn Sie den Grasschnitt zum Entsorgen sammeln möchten, entfernen Sie den Mulchadapter und setzen Sie den Grasauffangbehälter ein, achten Sie dabei darauf, dass die Abdeckung des Grasauswurfkanals korrekt geschlossen ist. Leeren Sie den Grasfangkorb regelmäßig, sonst kann der Auswurfschacht mit Grasschnitt verstopft werden.
- Wenn Sie einen leichten Schnitt vornehmen und möchten, dass der Rasenschnitt auf dem Rasen verbleibt, setzen Sie den Mulchstopfen ein und schließen Sie den Grasauswurfdeckel. In diesem Fall ist es nicht notwendig, den Grasfangkorb zu montieren.
- Der Rasenmäher wurde konstruiert, um am effektivsten in der Vorwärtsbewegung zu funktionieren und Gras zu schneiden.
- Eine größere Schnitthöhe verlängert die Laufzeit des Akkus.

TRANSPORT UND LAGERUNG

- Stoppen Sie das Produkt und entfernen den Sicherheitsschlüssel und den Akku. Stellen Sie sicher, dass alle bewegenden Teile vollständig angehalten sind. Lassen Sie das Produkt ausreichend abkühlen,

bevor Sie es lagern oder transportieren.

- Entfernen Sie alle Fremdkörper vom Produkt. Lagern Sie das Produkt an einem kühlen, trockenen und gut belüfteten Ort, der Kindern keinen Zugang bietet. Von korrodierend wirkenden Stoffen, wie Gartenchemikalien und Enteisungssalzen, fernhalten. Nicht im Freien lagern.
- Sichern Sie die Maschine beim Transport in einem Fahrzeug gegen Bewegung oder Herunterfallen, um Verletzungen und Beschädigung des Produkts zu verhindern.

⚠️ WARNUNG

Seien Sie extrem vorsichtig, wenn Sie das Produkt zur Wartung, Reinigung oder den Transport anheben oder kippen. Das Messer ist scharf; halten Sie alle Körperteile vom Messer fern.

TRANSPORT VON LITHIUM-IONEN-AKKUS

Transportieren Sie Akkus gemäß Ihren örtlichen und nationalen Bestimmungen und Regeln.

Befolgen Sie alle besonderen Anforderungen für Verpackung und Beschriftung, wenn Sie Akkus von Dritten transportieren lassen. Stellen Sie sicher, dass beim Transport kein Akku in Kontakt mit anderen Akkus oder leitenden Materialien kommt, indem Sie die freien Anschlüsse mit Isolierband, nichtleitenden Kappen oder Klebeband schützen. Beschädigte oder auslaufende Akkus dürfen nicht transportiert werden. Weitere Informationen erhalten Sie bei Ihrem Transportunternehmen.

WARTUNG UND PFLEGE

⚠️ WARNUNG

Verwenden Sie ausschließlich original Ersatzteile, Zubehör und Aufsätze des Herstellers. Nichtbefolgung kann mögliche Verletzungen oder schlechte Leistung verursachen und Ihre Garantie ungültig machen.

⚠️ WARNUNG

Service und Wartung des Gerätes erfordert besonderen Sorgfalt und Kenntnisstand und dürfen nur durch qualifiziertes Personal durchgeführt werden. Lassen Sie das Gerät nur von einem autorisierten Servicecenter warten. Beim Service dürfen Sie nur originale Ersatzteile benutzen.

- Stoppen Sie das Produkt und entfernen den Sicherheitsschlüssel und den Akku. Stellen Sie sicher, dass alle beweglichen Teile vor der Durchführung von Wartungs- oder Reinigungsarbeiten zum Stillstand gekommen sind.
- Sie dürfen die in dieser Bedienungsanleitung beschriebenen Einstellungen und Reparaturen durchführen. Kontaktieren Sie Ihren autorisierten Kundendienst für andere Reparaturen.
- Ersetzen Sie aus Sicherheitsgründen abgenutzte oder beschädigte Teile.
- Überprüfen Sie den Grasfangkorb nach Schäden von Zeit zu Zeit.
- Reinigen Sie das Produkt nach jeder Benutzung mit einem weichen, trockenen Lappen. Jedes beschädigte Teil muss durch den autorisierten Kundendienst ordnungsgemäß repariert oder ausgetauscht werden.
- Überprüfen Sie Bolzen, Muttern und Schrauben in regelmäßigen Abständen, ob sie alle fest angezogen sind, um somit sicherzustellen, dass das Produkt in einem sicheren Zustand ist.
- Seien Sie während Einstellarbeiten am Produkt vorsichtig, um zu verhindern, dass Ihre Finger zwischen die beweglichen Messer und feststehende Teile des Produkts eingeklemmt werden.
- Seien Sie sich bei der Wartung des Messers bewusst, dass, obwohl die Stromversorgung unterbrochen ist, das Messer immer noch bewegt werden kann.
- Das Messer des Produktes ist scharf. Seien Sie vorsichtig und tragen Sie feste Schutzhandschuhe, wenn Sie etwas montieren, austauschen, reinigen oder den Sitz von Schrauben überprüfen.
- Ersetzen Sie abgenutzte oder beschädigte Messer und Bolzen als Einheit um Unwucht zu vermeiden.

- Die Messerbolzen müssen sicher befestigt sein. **Lesen Sie die Empfehlung des Herstellers für das richtige Drehmoment der Messerschraube, die in der Tabelle der Produktspezifikation in dieser Bedienungsanleitung aufgeführt ist.**

BLOCKIERUNGEN ENTFERNEN

- Stoppen Sie das Produkt und entfernen den Sicherheitsschlüssel und den Akku. Stellen Sie sicher, dass alle bewegenden Teile vollständig angehalten sind.
- Tragen Sie immer feste Schutzhandschuhe, wenn Sie eine Blockierung überprüfen und entfernen.
- Die Messer sind scharf, und die Blockierung selbst kann ein scharfes Objekt sein.
- Den Grasfangkorb entfernen und vorsichtig auf Blockierungen prüfen/entfernen.
- Den Gras-Auswurfschacht auf Blockierungen prüfen und die Blockierung vorsichtig entfernen.
- Drehen Sie das Gerät auf die Seite und prüfen Sie die Unterseite und den Bereich um das Messer. Falls Sie Blockierungen entdecken, entfernen Sie sie vorsichtig. Bedenken Sie, dass sich das Messer während der Reinigung bewegen kann.

RESTRISIKEN

Sogar wenn das Produkt wie vorgeschrieben benutzt wird, ist es unmöglich ein gewisses Restrisiko vollständig zu beseitigen. Die folgenden Gefahren können bei der Benutzung entstehen, und der Benutzer sollte besonders auf folgende Punkte achten:

- Durch Vibrationen verursachte Verletzungen.
 - Verwenden Sie für jede Arbeit immer das richtige Werkzeug. Benutzen Sie die vorgesehenen Griffe und schränken die Arbeitszeit und Exposition ein.
- Durch Lärm verursachte Verletzungen.
 - Lärm kann zu Gehörschäden führen. Tragen Sie einen Gehörschutz und schränken Sie die Belastung ein.
- Verletzungen durch Kontakt mit den Messern.
- Durch geschleuderte Objekte verursachte Verletzungen

RISIKOVERRINGERUNG

Vibrationen von in der Hand gehaltenen Werkzeugen können bei einigen Personen zu einem Zustand, der Raynaud-Syndrom genannt wird, führen. Symptome sind u.a. Kribbeln, Taubheitsgefühl und episodische Weißfärbung der Finger und treten normalerweise bei Kälte auf. Man geht davon aus, dass ererbte Faktoren, Kälte und Feuchtigkeit, Essgewohnheiten, Rauchen und Arbeitsweise zur Entwicklung dieser Symptome beitragen. Der Anwender kann Maßnahmen ergreifen, um die Auswirkungen der Vibrationen möglicherweise zu verringern:

- Halten Sie den Körper bei Kälte warm. Tragen Sie beim Betrieb des Produkts Handschuhe, um Hände und Handgelenke warm zu halten. Berichten zu Folge ist kaltes Wetter ein wesentlicher Faktor, der zum Raynaud Syndrom beiträgt.
- Betätigen Sie sich nach jedem Einsatz körperlich, um den Blutkreislauf zu steigern.
- Machen Sie regelmäßige Pausen. Beschränken Sie die Beanspruchung pro Tag.

Sollten bei Ihnen Symptome dieses Zustands auftreten, stellen Sie unverzüglich den Betrieb ein und suchen Sie in Hinsicht auf die Symptome einen Arzt auf.

⚠️ WARNUNG

Verletzungen können durch lange Benutzung eines Werkzeugs entstehen oder verschlimmert werden. Machen Sie regelmäßig Pause, wenn Sie ein Werkzeug für lange Zeit benutzen.

MACHEN SIE SICH MIT IHREM PRODUKT VERTRAUT

Siehe Seite 193.

Teile

1. Griff
2. An-/Aus-Schalter
3. Startknopf
4. Motor-Steuerkabel
5. Kabelhalterung für Motor-Steuerkabel
6. Akkuklappe
7. Knebelgriff
8. Füllstandsanzeige Grasbehälters
9. Grasfangkorb

10. Abdeckung des Grasauswurfkanals
11. Griffsperrle
12. Hinterrad
13. Höheneinstellungshebel
14. Vorderrad
15. Sicherheitsschlüssel
16. Akku
17. Ladegerät
18. Mulchadapter

SYMBOLE AUF DEM PRODUKT



Lesen und verstehen Sie alle Anweisungen, bevor Sie das Produkt benutzen, befolgen Sie alle Warnungen und Sicherheitsanweisungen.



Tragen Sie einen Gehörschutz.



Tragen Sie einen Augenschutz.



Nicht auf Schrägen größer als 15° benutzen. Mähen Sie immer quer und niemals auf- oder abwärts mähen.



Nicht Regen oder feuchten Bedingungen aussetzen.



Achten Sie auf scharfe Messer. Die Messer drehen sich weiter nachdem der Motor ausgeschaltet ist - Entfernen Sie vor der Wartung den Sicherheitsschlüssel.

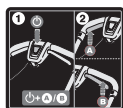


Achten Sie auf geschleuderte oder fliegende Objekte. Halten Sie unbeteiligte Personen (insbesondere Kinder und Tiere) mindestens 15m vom Arbeitsbereich fern.



Der Griff ist dreifach höhenverstellbar. Stellen Sie sicher, dass die Schläuche vor allem auf der höchsten Einstellung korrekt eingesetzt sind. Wenn sie nicht korrekt eingesetzt und verriegelt sind, könnte der Griff aus den Löchern rutschen.

Drücken Sie den Startknopf und dann den An-Aus Schalter (A oder B), um das Produkt zu starten. Lassen Sie den Startknopf los und halten den An-Aus Schalter gedrückt, um das Produkt laufen zu lassen. Lassen Sie den An-Aus Schalter los, um das Produkt zu stoppen.



Los



Stopp



Bitte lesen Sie die Anweisungen sorgfältig, bevor Sie das Gerät einschalten.



Elektrische Geräte sollten nicht mit dem übrigen Müll entsorgt werden. Bitte entsorgen Sie diese an den entsprechenden Entsorgungsstellen. Wenden Sie sich an die örtliche Behörde oder Ihren Händler, um Auskunft über die Entsorgung zu erhalten.



Dieses Gerät entspricht allen gesetzlichen Normen des Landes der Europäischen Union, in dem es gekauft wurde.



EurAsian Konformitätszeichen



Ukrainisches Prüfzeichen



Der auf diesem Etikett angegebene garantierte Schalldruckpegel beträgt 96 dB.

⚠️ WARNUNG

Weist auf eine mögliche gefährliche Situation hin, die, falls nicht vermieden, zu Tod oder ernsthafter Verletzung führen kann.

⚠️ VORSICHT

Weist auf eine mögliche gefährliche Situation hin, die, falls nicht vermieden, zu einer leichten oder mittleren Verletzung führen kann.

VORSICHT

(Ohne Sicherheitswarnsymbol) Bezeichnet eine Situation die zu Sachbeschädigungen führen kann.

SYMBOLE IN DIESER BEDIENUNGSANLEITUNG



Teile oder Zubehör getrennt erhältlich



HINWEIS



WARNUNG

Mit den folgenden Symbolen wird die Bedeutung der verschiedenen Risikostufen, die mit dem Produkt einhergehen, dargestellt.

⚠️ GEFAHR

Weist auf eine unmittelbare gefährliche Situation hin, die, falls nicht vermieden, zu Tod oder ernsthafter Verletzung führen kann.

Seguridad, desempeño y fiabilidad han sido las prioridades en el diseño de su cortacésped inalámbrico.

USO PREVISTO

El cortacésped inalámbrico se debe utilizar exclusivamente en el exterior.

Este producto está diseñado para el corte doméstico de césped. La hoja debe girar aproximadamente paralela al suelo sobre el que está girando. Las cuatro ruedas deben tocar el suelo durante el corte de césped. Es un cortacésped de tracción manual con operario a pie.

El aparato nunca se debe operar sin que las ruedas estén apoyadas en el suelo. No debe tirar de él ni subirse en él. No debe usarse para cortar otra cosa que no sea césped o hierba doméstica.

No la use para ninguna otra finalidad.

ALERTA DE SEGURIDAD GENERAL

⚠ ADVERTENCIA

Al utilizar el producto, deben seguirse las normas de seguridad. Por su propia seguridad y la de los que le rodean, lea estas instrucciones antes de utilizar el producto. Guarde las instrucciones para usarlas en el futuro.

⚠ ADVERTENCIA

Use el producto solo con las baterías especificadas en este manual. Al usar la máquina con la batería, debe seguir siempre las precauciones básicas de seguridad para reducir el riesgo de incendio, fugas de la batería y lesiones personales.

SEGURIDAD PERSONAL

- El producto puede amputar manos y pies, además de arrojar objetos. El no cumplir con todas las instrucciones de seguridad podrá causar lesiones serias o la muerte.
- Familiarícese con los controles y el uso adecuado del producto.
- Nunca permita que los niños o las personas con discapacidad física, sensorial o mental, o que no estén familiarizadas con estas instrucciones, operen, limpien

ni realicen el mantenimiento del aparato. Las regulaciones locales pueden restringir la edad del operario. Los niños deben estar adecuadamente supervisados para asegurarse de que no juegan con el producto.

- Manténgase alerta, observe lo que está haciendo y use el sentido común cuando utilice el aparato. No utilice este aparato si está cansado o si se encuentra bajo la influencia de drogas, alcohol o medicamentos. Un lapso en la concentración mientras utiliza la unidad puede resultar en lesiones personales graves.
- Use pantalones largos y gruesos, manga larga y calzado resistente y antideslizante. No use pantalones cortos ni sandalias, ni vaya descalzo. Evite usar ropa suelta o de la que cuelguen cordones o lazos.
- Siempre use gafas de seguridad con protectores laterales.
- Asegúrese siempre de mantener el equilibrio y de no situarse en pendientes. Mantenga su pisada firme y su equilibrio. Camine, nunca corra.
- Utilice el aparato en la superficie de cuestas, nunca hacia arriba ni abajo. Tenga mucho cuidado cuando cambie de dirección en las cuestas.
- No utilice el aparato cerca de zonas descendientes, zanjas, pendientes excesivamente pronunciadas o terraplenes. Una mala pisada podrá causar resbalones y accidentes de caídas.

ZONA DE TRABAJO

- Debido al peligro de proyección de objetos que puedan entrar en contacto con la cuchilla, evite utilizar el producto a menos de 15 m de distancia de otras personas, especialmente niños, o animales.
- Los objetos golpeados por la cuchilla del cortacésped pueden causar lesiones severas a las personas. Inspeccione cuidadosamente el área donde va a utilizarse la herramienta y retire todas las rocas, palos, metales, alambres, huesos, juguetes u otros objetos extraños. Recuerde, el hilo o el cable pueden enredarse con las cuchillas.
- Utilice el aparato sólo con luz diurna o con una buena luz artificial.



- No utilice la máquina en entornos inflamables, como puede ser en presencia de líquidos inflamables, gases o polvo. La herramienta puede crear chispas que pueden encender polvo o gases.
- No utilice la máquina en hierba mojada o bajo la lluvia.
- No utilice el aparato cuando haya riesgo de relámpago.
- Tenga presente que el operario o usuario es responsable de los accidentes o riesgos que le puedan ocurrir a otras personas o a su propiedad.
- Los accidentes trágicos pueden ocurrir si el operario no está alerta de la presencia de niños. A menudo, los niños sienten cierta atracción hacia la máquina y la actividad de corte. Nunca asuma que los niños permanecerán donde los vio por última vez.
- Mantenga a los niños alejados de la zona de siega y bajo la cuidadosa supervisión de un adulto responsable distinto del operario. Esté alerta y apague el producto si un niño se acerca a la zona.
- Ponga especial cuidado cuando se acerque a ángulos ciegos, arbustos, árboles u otros obstáculos, como arbustos colgantes, que puedan impedir su visibilidad.

USO Y CUIDADO DE LA HERRAMIENTA

- Lea, comprenda y siga siempre las instrucciones de seguridad suministradas con la batería y el cargador. Si no lo hace, podría provocar una descarga eléctrica, un incendio u otras situaciones peligrosas. Guarde todas las instrucciones juntas en un lugar seguro para realizar futuras consultas.
- Las unidades operadas con batería no necesitan estar enchufados a una toma de corriente; por lo tanto, están siempre en condiciones de funcionamiento. Quite la llave conmutadora cuando no utilice el producto.
- Extraiga la batería antes de hacer cualquier ajuste, limpieza o de quitar material de la unidad.
- Asegúrese de que la llave de aislamiento no se encuentra en la herramienta antes de insertar la batería.
- La batería solamente debe recargarse con

el cargador especificado por el fabricante. El uso de un cargador con una batería incompatible puede crear un riesgo de incendio. Utilice sólo la batería con el cargador en la lista.

- Utilice sólo la batería diseñada específicamente para la máquina. El uso de cualquier otra batería puede resultar en un riesgo de incendio, descargas eléctricas o lesiones personales.
- **Cuando la batería no está en uso, manténgala alejada de otros objetos metálicos como clips, monedas, llaves, clavos, tornillos u otros objetos metálicos pequeños que puedan crear una conexión desde una terminal a otra.** Cortocircuitar los terminales de la batería puede provocar chispas, quemaduras, incendios y explosiones.
- No coloque los productos de batería o las pilas cerca del fuego o fuentes de calor. Esto aumenta el riesgo de explosión y de lesiones.
- No abra ni desmonte la batería. El electrolito liberado es corrosivo y puede causar daño a los ojos o la piel. Puede ser tóxico si se ingiere.
- Proteja la batería contra la humedad y el agua. No cargue la unidad en lugares húmedos o mojados. Seguir esta regla reducirá el riesgo de descarga eléctrica.
- En caso de daños y uso inadecuado de la batería, podría emitirse vapor. Respire aire fresco y acuda a un médico en caso de dolencias. El vapor puede irritar el sistema respiratorio.
- No deje la batería dentro de un vehículo en condiciones de frío o calor.
- No queme la batería.
- En condiciones abusivas, podría salir expulsado líquido de la batería, por lo que debería evitar el contacto con éste. Si se produce un contacto accidental, enjuáguese las manos con agua. Si el líquido entra en contacto con los ojos, acuda inmediatamente al médico. Si el líquido es expulsado de la batería y entra en contacto con él, podría causar irritación o quemaduras.



AVISOS DE SEGURIDAD DEL CORTACÉSPED

- Antes de utilizarla, realice siempre una inspección visual para asegurarse de que las hojas, los pernos de las hojas y el conjunto de los elementos de corte no estén gastados o dañados.
- Reemplace las hojas y tornillos desgastados o dañados en grupos para preservar el equilibrio.
- Este aparato está provisto de una cuchilla afilada. Tenga cuidado y use guantes pesadas al encajar, substituir, limpiar o comprobar el tornillo de seguridad.
- Lleve el aparato a un centro de servicios autorizado para substituir las etiquetas dañadas o ilegibles.
- Verifique a intervalos frecuentes si todas las tuercas, pernos y tornillos están apretados apropiadamente para asegurarse de que el equipo esté en buenas condiciones de trabajo.
- Compruebe la caja de la hierba para cerciorarse de que no existen señales de desgaste, huecos o deterioro.
- Sustituya las partes gastadas o dañadas antes de poner el aparato en funcionamiento.
- El producto debe encenderse con el usuario situado detrás del manillar, en la zona de seguridad del operario. Nunca encienda el producto si:
 - las cuatro ruedas no están sobre el suelo
 - el canal de descarga del césped está expuesto y no está protegido por la caja del césped ni la cubierta del canal de descarga del césped
 - si hay pies o manos en la zona de corte
- Nunca utilice el producto si el interruptor de encendido/apagado situado en el manillar no enciende y apaga el producto de forma correcta.
- Nunca intente bloquear los interruptores on/off (encender/apagar) en la posición ON; esto es extremadamente peligroso.
- No fuerce el producto. Realizará un trabajo mejor y más seguro a la velocidad para la que ha sido diseñada.
- Detenga la hoja cuando pase por superficies con grava.
- No tire del aparato hacia atrás a menos que sea absolutamente necesario. Si se ve obligado a alejar la herramienta de una pared u obstáculo, en primer lugar mire hacia abajo y hacia atrás para evitar tropezar o que la herramienta pase sobre sus pies.
- Pare el motor y deje que la cuchilla se pare si tiene que inclinar el cortacésped para transportarlo por superficies que no sean de césped y cuando transporte el aparato hasta o desde el área que va a cortar.
- No utilice la máquina con protecciones defectuosas, o sin haber situado correctamente los dispositivos de seguridad, por ejemplo deflectores y/o recogedores de hierba.
- No incline el producto cuando vaya a poner el motor en marcha ni cuando ya esté en funcionamiento. Si es absolutamente necesario, puede levantar la parte delantera del cortacésped no más de 5 cm para permitir un inicio más rápido. Presione el manillar para hacerlo. Siempre vuelva a poner el cortacésped en su posición normal con todas las ruedas en el suelo antes de cortar. Inclinar el cortacésped expone la cuchilla y aumenta la probabilidad de que salgan objetos despedidos al entrar accidentalmente en contacto con la cuchilla.
- Cambie el motor cuidadosamente conforme a las instrucciones y no acerque las manos ni los pies a las cuchillas. No coloque las manos o los pies cerca o debajo de las piezas giratorias.
- Nunca levante ni transporte el aparato con el motor en marcha.
- Detenga el producto, quite la llave del seccionador y la batería. Asegúrese de que todas las partes móviles se han detenido por completo:
 - Siempre que deje el producto sin vigilancia (incluso mientras tira los restos de hierba).
 - antes de limpiar una obstrucción o desatascar el canal de descarga
 - antes de inspeccionar, limpiar o trabajar con el producto
 - antes de retirar la caja de césped o abrir el conducto de descarga de césped
 - después de alcanzar un objeto extraño,

inspeccione el aparato para comprobar si se han producido daños y realizar reparaciones, en caso necesario, antes de reiniciar y utilizar la máquina.

- si el producto empieza a vibrar de forma anormal (comprobar inmediatamente)
 - Cuando realice una inspección de daños, en particular en las cuchillas.
 - cambie o repare las piezas dañadas
 - revise y apriete las piezas sueltas
- Evite los agujeros, surcos, resaltos, rocas u otros objetos ocultos. El terreno desigual puede causar resbalones y accidentes de caídas.
- Asegúrese siempre de que el cable de control del motor nunca es atrapado, pellizcado o dañado de otra forma durante el montaje o cuando doble el mango.

ADVERTENCIAS DE SEGURIDAD DE LA BATERÍA ADICIONAL

⚠ ADVERTENCIA

Para reducir el riesgo de incendio, lesión personales y daños al producto debido a un cortocircuito, no sumerja nunca la herramienta, el paquete de baterías o el cargador en líquido ni permita que fluya un fluido dentro de ellos. Los fluidos corrosivos o conductivos, como el agua de mar, ciertos productos químicos industriales y blanqueadores o lejías que contienen, etc., Pueden causar un cortocircuito.

CARACTERÍSTICAS DEL PRODUCTO

PROTECCIÓN CONTRA SOBRECARGA Y SOBRECALENTAMIENTO

El producto tiene un dispositivo de protección frente a sobrecarga. Si se detecta sobrecarga, el producto se apagará automáticamente. Si se activa el protector de sobrecarga, el botón de encendido y apagado debe ser liberado. Pulse el botón de encendido y apagado para reiniciar el producto.

La batería tiene protección contra el sobrecalentamiento. Una temperatura excesiva hará que la batería deje de alimentar a la herramienta. Toque la batería; si está demasiado caliente, deje que se enfríe antes de continuar utilizándolo. Si la herramienta sigue sin funcionar, recargue la batería.

NOTA: El indicador LED de la batería no funcionará si la función de protección de la batería ha provocado que la batería deje de alimentar a la herramienta y que ésta se detenga. Suelte el botón de encendido/apagado o quite la batería del producto y el indicador LED de la batería volverá al funcionamiento normal.

CONSEJOS GENERALES PARA CORTAR EL CÉSPED

El tiempo de funcionamiento de la batería varía en función de las condiciones, la longitud y la densidad del césped.

Adapte la altura de corte del cortacésped a las condiciones del césped que va a cortar.

Estado del césped	Ajuste de altura recomendado		Cobertura (máxima)	
	Primer paso	Pasos siguientes	Batería de 4 Ah	Batería de 5 Ah
Muy fino / Seco	3	2	200 m ²	250 m ²
Fino / Seco	4	3 → 2	150 m ²	200 m ²
Medio / Denso	5	4 → 3	100 m ²	150 m ²

* *battery: RB18L40*

- Para un mejor rendimiento, corte siempre un tercio o menos de la altura total del césped.
- Al cortar césped alto, reduzca la velocidad de caminata para permitir un corte más efectivo y descargar apropiadamente los recortes.
- No corte el césped mojado, ya que se quedará pegado a la parte inferior de la plataforma e impedirá que la recogida o descarga del césped cortado se realicen de forma adecuada.
- La hierba nueva o gruesa puede requerir una mayor altura de corte.
- Si desea recoger el césped cortado para su desecho, retire el accesorio para mantillo y acople el colector de césped, asegurándose de que la cubierta del canal de descarga de césped esté correctamente cerrada. Vacíe la caja recogedora con frecuencia, en caso contrario, la bolsa recogedora se bloqueará con los restos de hierba.
- Si va a realizar un corte ligero y desea que

EN
FR
DE
ES
IT
NL
DA
PT
SV
FI
NO
RU
PL
CS
HU
RO
LV
LT
ET
HR
SL
SK
BG
UK
TR

el césped cortado permanezca en el suelo, coloque el accesorio para mantillo y cierre la tolva de descarga de césped para cubrir la abertura de descarga. En este caso, no es necesario colocar el colector de césped.

- El producto se ha diseñado para funcionar y cortar de forma más eficaz cuando se mueve hacia delante.
- Cuanto mayor sea la altura de corte mayor será el tiempo de funcionamiento de la batería.

TRANSPORTE Y ALMACENAMIENTO

- Detenga el producto, quite la llave del seccionador y la batería. Asegúrese de que todas las partes móviles se han detenido por completo. Deje que el producto se enfríe antes de guardarlo o transportarlo en un vehículo.
- Limpie todo el material extraño que pueda permanecer en el producto. Guarde en una zona seca y bien ventilada, a la que no puedan acceder los niños. Evite el contacto con agentes corrosivos tales como productos químicos de jardinería o sales descongelantes. No almacenar al aire libre.
- Para su transporte en un vehículo, quite la llave del seccionador, asegure el producto para que no se mueva ni se caiga, con el fin de evitar lesiones a las personas o daños en el producto.

⚠ ADVERTENCIA

Extreme la precaución al elevar o al inclinar el producto para mantener, limpiar, almacenar o transportar, la cuchilla es afilada, no acerque ninguna parte del cuerpo a la cuchilla mientras esté expuesta.

TRANSPORTE DE BATERÍAS DE LITIO

Transporte de baterías de acuerdo con las disposiciones y reglamentos nacionales y locales.

Cumpla todos los requisitos especiales relativos al embalaje y etiquetado cuando el transporte de baterías se lleve a cabo por un tercero. Asegúrese de que, durante el transporte, las baterías no entran en contacto con otras baterías o materiales conductores protegiendo los conectores expuestos con tapones o tapas aislantes de material no

conductor. No transporte baterías que tengan grietas o fugas. Consulte a la empresa de transporte para obtener más asesoramiento.

MANTENIMIENTO

⚠ ADVERTENCIA

Utilice sólo piezas y accesorios de recambio originales del fabricante. Si no lo hace podría ocurrir un mal funcionamiento, podrían producirse daños o podría quedar anulada la garantía.

⚠ ADVERTENCIA

Las reparaciones requieren tener mucho cuidado y conocimiento y sólo debe realizarse por un técnico de servicio calificado. Solicite la reparación del producto únicamente en un centro de servicio autorizado. Utilice solo recambios originales del fabricante para las operaciones de mantenimiento.

- Detenga el producto, quite la llave del seccionador y la batería. Asegúrese de que todas las partes móviles se han detenido completamente antes de cualquier tarea de mantenimiento o limpieza.
- Podrá realizar los ajustes y reparaciones necesarios que se describen en este manual. Para otras reparaciones o consejos, busque la ayuda de un centro de servicio autorizado.
- Por seguridad, reemplace las piezas desgastadas o dañadas.
- Revise frecuentemente si el recolector de césped tiene desgaste o deterioro.
- Limpiar el producto con un paño suave seco después de cada uso. Cualquier pieza dañada debe ser sustituida o reparada adecuadamente por un centro de servicio autorizado.
- Verifique a intervalos frecuentes si todas las tuercas, pernos y tornillos están apretados apropiadamente para asegurarse de que el producto esté en buenas condiciones de trabajo.
- Tenga cuidado durante el ajuste de la máquina para evitar que sus dedos queden atrapados entre las cuchillas móviles y las partes fijas de la máquina.
- Cuando realice trabajos de reparación en

las cuchillas, tenga en cuenta que, aunque la fuente de alimentación esté apagada, las cuchillas pueden seguir moviéndose.

- Este aparato está provisto de una cuchilla afilada. Tenga cuidado y use guantes pesados al encajar, substituir, limpiar o comprobar el tornillo de seguridad.
- Reemplace las hojas y tornillos desgastados o dañados en grupos para preservar el equilibrio.
- Los pernos de la cuchilla tienen que estar correctamente apretados. **Consulte las recomendaciones del fabricante para el par de torsión de los pernos de la cuchilla que se encuentran en la tabla de especificaciones del producto de este manual.**

ELIMINACIÓN DE UNA OBSTRUCCIÓN

- Detenga el producto, quite la llave del seccionador y la batería. Asegúrese de que todas las partes móviles se han detenido por completo.
- Use siempre guantes de protección para trabajo pesado en la comprobación y limpieza de una obstrucción.
- Las cuchillas están afiladas y la obstrucción también podría ser un objeto afilado.
- Quite el colector de césped, compruébelo y quite bien las obstrucciones.
- Compruebe el canal de descarga del césped por si hay obstrucciones y límpielo detenidamente.
- Gire el producto de lado, compruebe la parte inferior y el área que rodea a la cuchilla. Si encuentra alguna obstrucción, quítela cuidadosamente. Recuerde que la cuchilla se puede mover mientras se limpia.

RIESGOS RESIDUALES

Incluso cuando se utiliza el producto según las instrucciones, sigue siendo imposible eliminar por completo ciertos factores de riesgo residuales. Pueden surgir los siguientes riesgos durante el uso y el operador debe prestar especial atención para evitar lo siguiente:

- Lesiones por vibración
 - Use siempre la herramienta adecuada para el trabajo. Utilice los mangos

pertinentes y limite el tiempo de trabajo y de exposición.

- Lesiones a causa del ruido
 - La exposición al ruido puede causar pérdidas de audición. Use protección para los oídos y limite el tiempo de exposición.
- daño producido por contacto con las cuchillas
- Lesiones producidas por objetos lanzados

REDUCCIÓN DEL RIESGO

Se ha informado de que las vibraciones de las herramientas de mano puede contribuir a una condición llamada síndrome de Raynaud en ciertos individuos. Los síntomas pueden incluir hormigueo, entorpecimiento y decoloración de los dedos, generalmente aparentes cuando tiene lugar una exposición al frío. Se considera que los factores hereditarios, exposición al frío y a la humedad, dieta, tabaquismo y prácticas de trabajo contribuyen al desarrollo de estos síntomas. Existen medidas que pueden ser tomadas por el operador para reducir los efectos de vibración:

- Mantenga su cuerpo caliente durante el tiempo frío. Al manipular el producto, utilice guantes para mantener las manos y las muñecas calientes. Hay informes que indican que el tiempo frío es un gran factor que contribuye al síndrome de Raynaud.
- Después de cada período de funcionamiento, realice ejercicios para aumentar la circulación sanguínea.
- Haga pausas de trabajo frecuentes. Limite la cantidad de exposición por día.

Si siente alguno de los síntomas de esta enfermedad, interrumpa inmediatamente el uso y consulte a su médico estos síntomas.

⚠ ADVERTENCIA

El uso prolongado de una herramienta puede causar o agravar lesiones. Al utilizar cualquier herramienta durante períodos prolongados asegúrese de tomar descansos regulares.

CONOZCA SU PRODUCTO

Véase la página 193.

Piezas

1. Mango
2. Botón ON/OFF (encender/apagar)
3. Botón de arranque
4. Cable de control del motor
5. Retentor do cabo de control del motor
6. Tapa de la batería
7. Perilla de la empuñadura
8. Indicador de caja recogedora llena
9. Recogedor de césped
10. Cubierta del canal de descarga de césped
11. Manilla de bloqueo
12. Rueda trasera
13. Palanca de ajuste de altura
14. Rueda delantera
15. Llave de aislamiento
16. Batería
17. Cargador
18. Conector de triturado

SÍMBOLOS EN EL PRODUCTO



Lea y comprenda todas las instrucciones antes de manipular el producto, respete las advertencias y las instrucciones de seguridad.



Use protección auditiva



Utilice protección ocular



No utilice la unidad en pendientes superiores a 15°. Siempre corte a través de las superficies de las cuestas, nunca de arriba hacia abajo.



No la exponga a la lluvia o a lugares húmedos.



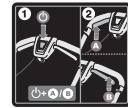
Tenga cuidado con las cuchillas afiladas. Las cuchillas siguen girando una vez que el motor se apaga; quite la llave conmutadora antes de realizar cualquier operación de mantenimiento



Tenga cuidado con los objetos volátiles o lanzados. Mantenga a todos los espectadores, especialmente a los niños y las mascotas, por lo menos a 15 metros de la zona de trabajo.



La manilla presenta 3 niveles de ajuste de altura. Compruébelo para asegurarse de que los tubos se han insertado correctamente especialmente en el nivel más elevado. La manilla podría salirse de los orificios si no está correctamente insertada y encajada.



Pulse el botón Start (arrancar) y, a continuación, el botón On/Off (A o B) para arrancar el aparato. Suelte el botón Start y continúe pulsando el botón On/Off para operar el aparato. Suelte el botón de encendido/apagado para parar el aparato.



Adelante



Stop



Por favor lea las instrucciones detenidamente antes de arrancar la máquina.



Los productos eléctricos de desperdicio no deben desecharse con desperdicios caseros. Por favor recíclelos donde existan dichas instalaciones. Compruebe con su autoridad local o minorista para reciclar.



Esta herramienta responde a todas las normas reglamentarias del país de la UE donde se ha comprado.



Certificado EAC de conformidad



Marca de conformidad ucraniana



El nivel de potencia acústica garantizado mostrado en esta etiqueta es de 96 dB.

Lo siguientes símbolos y sus significados pretenden explicar los niveles de riesgo asociados a este producto.

⚠ PELIGRO

Indica una situación potencialmente peligrosa que, de no evitarse, puede ocasionar la muerte o heridas de gravedad.

⚠ ADVERTENCIA

Indica una situación peligrosa que, de no evitarse, puede ocasionar la muerte o heridas de gravedad.

⚠ ADVERTENCIA

Indica una situación potencialmente peligrosa que, de no evitarse, puede ocasionar heridas leves.

ADVERTENCIA

(Sin símbolo de alerta de seguridad) Indica una situación que puede causar daños en las cosas.

SÍMBOLOS EN ESTE MANUAL



Las piezas o accesorios se venden por separado



Nota



Advertencia

E' stata data massima priorità a sicurezza, prestazioni e affidabilità nel design di questo tosaerba senza cavo.

UTILIZZO RACCOMANDATO

Il tosaerba a batteria è destinato al solo uso all'aperto.

Questo prodotto è indicato per tagliare l'erba di prati domestici. La lama di taglio dovrà ruotare parallelamente al terreno sulla quale viene attivata. Le quattro ruote dovranno tutte toccare il terreno durante le operazioni. Questo dispositivo viene controllato da un operatore che cammina dietro lo stesso e lo spinge manualmente.

Il prodotto non deve essere messo in funzione con le ruote fuori del terreno. Non trainarlo né salirvi sopra. Non utilizzare per tagliare materiali diversi da erba.

Non utilizzare per altri scopi.

AVVERTENZE GENERALI DI SICUREZZA

▲ AVVERTENZA

Quando si utilizza questo prodotto, seguire eventuali norme di sicurezza. Per la propria sicurezza e per la sicurezza degli osservatori, leggere queste istruzioni prima di mettere in funzione il prodotto. Conservare le istruzioni per eventuali riferimenti futuri.

▲ AVVERTENZA

Utilizzare il prodotto soltanto con le batterie specificate nel presente manuale. Quando si utilizzano utensili a batterie seguire sempre precauzioni di sicurezza per ridurre il rischio di incendio, perdita di liquidi da batterie e gravi lesioni alla persona.

SICUREZZA PERSONALE

- Il prodotto è in grado di amputare mani e piedi, oltre che di scagliare oggetti a distanza. La mancata osservanza delle norme di sicurezza potrà causare gravi lesioni personali o morte.
- Familiarizzare con i comandi e il corretto utilizzo del prodotto.
- Non permettere mai a bambini o persone con ridotte capacità fisiche, sensoriali o mentali o a persone che non conoscono

queste istruzioni di mettere in funzione, o svolgere le operazioni di pulizia e manutenzione sul prodotto. Leggi locali possono limitare l'età dell'operatore. Supervisionare adeguatamente i bambini per assicurarsi che non giochino con il prodotto.

- Fare sempre attenzione, osservare le operazioni di lavoro e utilizzare senso comune quando si mette in funzionamento l'unità. Non mettere in funzione se stanchi, malati o sotto l'influenza di alcool, droghe o medicinali. Una perdita di concentrazione mentre si utilizza la macchina potrà causare gravi lesioni alla persona.
- Indossare pantaloni lunghi e pesanti, maniche lunghe, e calzature robuste antidirucchio. Non indossare pantaloni corti o sandali e non utilizzare l'apparecchio a piedi nudi. Evitare di indossare abiti con parti svolazzanti o con cordicelle o lacci.
- Indossare sempre occhiali di sicurezza con visiere laterali.
- Mantenere sempre l'equilibrio, soprattutto sui pendii. Mantenere sempre un appoggio saldo e l'equilibrio. Camminare, non correre mai.
- Sui pendii procedere sempre in diagonale e mai in direzione verticale. Fare estrema attenzione quando si cambia direzione sui pendii.
- Non utilizzare il prodotto vicino a dirupi, avvallamenti, pendii eccessivamente ripidi o argini. Una mancanza di equilibrio potrà provocare cadute o far scivolare.

AMBIENTE DI LAVORO

- Non utilizzare mai il prodotto nel caso in cui vi siano eventuali osservatori, soprattutto bambini, o animali in un raggio di 15 m dal momento che gli oggetti che entrano in contatto con le lame potranno essere scagliati in aria.
- Gli oggetti rimasti incastrati nel tosaerba potranno causare gravi lesioni a persone. Ispezionare la zona dove si utilizza la macchina e rimuovere rocce, rami, pezzi di metallo, cavi, ossa, giocattoli o altri corpi estranei. Ricordare che cavi o fili potranno rimanere impigliati nei dispositivi di taglio.
- Utilizzare il prodotto solo alla luce del giorno o con una buona illuminazione artificiale.
- Non mettere in funzione l'utensile in



atmosfera esplosive, come in presenza di liquidi infiammabili, gas o polvere. L'utensile potrà creare scintille che potranno causare incendi a contatto con polvere o vapori.

- Non mettere in funzione su erba bagnata o sotto la pioggia.
- Non utilizzare il prodotto in caso di rischi di fulmini.
- Ricordare che l'operatore sarà responsabile di eventuali lesioni o danni a persone o cose.
- Si potranno verificare spiacevoli incidenti se si lasceranno avvicinare bambini alla zona di taglio. I bambini sono spesso attratti da questo utensile e dall'attività che esso può svolgere. Non presumere mai che i bambini rimangano nella posizione dove li si è lasciati.
- Allontanare i bambini dall'area da falciare e affidarli alla sorveglianza di un'altra persona adulta e capace. Restare sempre vigili, pronti a spegnere il tosaerba qualora un bambino si avvicini all'area che si sta tagliando.
- Prestare massima attenzione in prossimità di angoli, cespugli, alberi o altri oggetti, inclusi arbusti sporgenti, che potrebbero ostruire la visuale.

UTILIZZO E MANUTENZIONE DI UN UTENSILE A BATTERIE

- Leggere, comprendere e seguire sempre le istruzioni di sicurezza fornite con la batteria e con il caricatore. La mancata osservanza potrà causare scosse elettriche, incendi o altre situazioni pericolose. Conservare tutte le istruzioni assieme in un luogo sicuro per eventuali riferimenti futuri.
- Gli utensili a batterie non devono essere collegati a una presa elettrica per funzionare; sono quindi sempre in grado di funzionare. Rimuovere la chiave dell'isolatore quando non si mette in funzione il prodotto.
- Rimuovere il gruppo batterie prima di svolgere eventuali regolazioni, operazioni di pulizia o rimuovere materiale dall'unità.
- Assicurarsi che la chiave dell'isolatore sia stata rimossa prima di inserire il gruppo batterie.
- Ricaricare il gruppo batterie solo con il caricatore indicato dalla ditta produttrice.

Utilizzare un caricatore con un gruppo batterie non compatibile potrà creare un rischio di incendio. Utilizzare il gruppo batterie solo con il caricatore indicato.

- Utilizzare solo il gruppo batteria indicato per questo utensile. L'utilizzo di gruppi batteria doversi da quello indicato potrà causare rischi di incendi, scosse elettriche o lesioni alla persona.
- **Quando il gruppo batterie non viene utilizzato, tenerlo lontano da oggetti in metallo come fermagli, monete, chiavi, chiodi, viti o altri piccoli oggetti che potranno fare da tramite da un terminale all'altro.** Cortocircuitare i terminali del gruppo batterie assieme potrà causare scintille, scottature, incendi o esplosioni.
- Non posizionare i prodotti a batteria o le loro batterie vicino a fuoco o fonti di calore. Ciò aumenterà il rischio di esplosioni e di possibili lesioni.
- Non aprire o danneggiare la batteria. Il liquido elettrolitico rilasciato è corrosivo e può causare danni agli occhi e alla pelle. Può essere tossico se ingoiato.
- Proteggere il gruppo batterie da acqua e umidità. Non ricaricare in zone umide o bagnate. Il rispetto di questa norma riduce il rischio di scosse elettriche.
- In caso di danni e di utilizzo improprio della batteria, l'utensile potrà emettere dei vapori. Esporsi ad aria fresca e rivolgersi a un medico in caso di malore. I vapori creati potranno irritare il sistema respiratorio.
- Non lasciare il gruppo batterie all'interno di un veicolo in temperature estremamente alte o basse.
- Non bruciare la batteria.
- Se sottoposto a stress, la batteria potrà perdere dei liquidi; evitare il contatto. Se si entra accidentalmente in contatto con tali liquidi, lavarsi immediatamente con acqua. Se il liquido entra negli occhi, rivolgersi a un medico. Il liquido espulso dalla batteria potrà causare irritazioni o scottature.

AVVERTENZE DI SICUREZZA DECESPUGLIATORE

- Prima di utilizzare, controllare sempre assicurandosi che le lame, i bulloni delle lame e la taglierina non siano usurati né danneggiati.





- Sostituire le lame usurate o danneggiate e i bulloni tutti assieme per mantenere l'equilibrio.
- La lama sul prodotto è affilata. Fare attenzione e indossare guanti da lavoro quando si svolgono le operazioni di montaggio, sostituzione, pulizia o quando si controlla la sicurezza del bullone.
- Portare il prodotto presso un centro servizi autorizzato per sostituire le parti danneggiate o le etichette illeggibili.
- Controllare frequentemente dadi, bulloni e viti, verificando che siano stati assicurati correttamente per fare in modo che l'utensile garantisca condizioni di lavoro ottimali.
- Controllare il dispositivo raccoglierba frequentemente per individuare eventuale usura, fori o deterioramento.
- Sostituire le parti consumate o danneggiate prima di mettere in funzione il prodotto.
- Il prodotto deve essere avviato con l'utente dietro il manico nella zona di sicurezza dell'operatore. Non avviare mai il prodotto se:
 - tutte e quattro le ruote non poggiano a terra
 - lo scivolo di scarico dell'erba è esposto, non protetto dal contenitore di raccolta né dal coperchio dello scivolo di scarico dell'erba
 - L'operatore deve tenere mani e piedi lontani dai dispositivi di taglio.
- Non mettere in funzione il prodotto se l'interruttore on/off (acceso/spento) sul manico non avvia o arresta correttamente il prodotto.
- Non tentare di bloccare gli interruttori acceso/spento sulla posizione ON (acceso); ciò sarà estremamente pericoloso.
- Non forzare il prodotto. L'utensile svolgerà un lavoro migliore e più sicuro se utilizzato alla velocità per la quale è stato progettato.
- Arrestare la lama quando si attraversano superfici acciottolate.
- Non tirare il prodotto indietro a meno che non sia assolutamente necessario. Prima di fare marcia indietro per evitare un muro o ostruzione d'altro genere, controllare bene il terreno per evitare di inciampare o di passarsi la macchina sui piedi.
- Arrestare il motore e lasciare che la lama si arresti se il tagliaerba deve essere inclinato per essere trasportato quando si attraversano superfici diverse dall'erba e quando si trasporta il prodotto verso e dall'area da falciare.
- Non mettere mai in funzione l'utensile con schermi o paralame difettosi o senza dispositivi di sicurezza, come per esempio deflettori e/o raccoglierba.
- Non inclinare il prodotto mentre si accende il motore o con il motore in funzione. Ove assolutamente necessario, sollevare la parte anteriore del tosaerba di non oltre 5 cm per facilitarne l'avviamento. Spingere a fondo la maniglia per avviarlo. Prima di cominciare a tagliare l'erba, riportare sempre il tosaerba nella normale posizione con tutte le 4 ruote al suolo. Inclinando il tosaerba si espone la lama e si aumenta la probabilità che vengano scagliati frammenti e di contatto accidentale con la lama.
- Avviare il motore con cautela seguendo le istruzioni e tenere mani e piedi lontani dalla lama. Tenere mani e piedi lontani dalle parti rotanti.
- Non alzare né trasportare il prodotto con il motore in funzione.
- Arrestare il prodotto, togliere la chiave d'isolamento e la batteria. Assicurarsi che tutte le parti in movimento si siano arrestate:
 - quando si lascia il prodotto incustodito (compreso lo smaltimento di sfalci d'erba).
 - prima di ripristinare un blocco o liberare lo scivolo di scarico
 - prima di svolgere le operazioni di controllo o pulizia sul prodotto o prima di utilizzarlo
 - prima di rimuovere la scatola dell'erba o di aprire il coperchio dello scivolo di scarico dell'erba
 - dopo aver colpito un oggetto estraneo; controllare il dispositivo per individuare eventuali danni e svolgere le dovute riparazioni come necessario prima di riavviare e mettere in funzione l'utensile.
 - se il prodotto inizia a vibrare in maniera anormale (controllare immediatamente)
 - controllare eventuali danni riportati in modo particolare dalle lame



- sostituire o riparare le parti danneggiate
- controllare e serrare le parti eventualmente allentate

- Evitare buchi, solchi, rocce o altri oggetti nascosti. Terreni irregolari possono provocare scivolate e cadute.
- Assicurarsi sempre che il cavo di controllo del motore non sia stato intrappolato, schiacciato o danneggiato in alcun modo durante il montaggio o quando si ripiega il manico.

AVVERTENZE AGGIUNTIVE PER LA SICUREZZA DELLA BATTERIA

⚠ AVVERTENZA

Per ridurre il rischio d'incendio, di lesioni o di danni al prodotto causati da corto circuito, non immergere mai l'utensile, la batteria ricaricabile o il carica batterie in un liquido e non lasciare mai penetrare alcun liquido all'interno dei dispositivi e delle batterie. I fluidi corrosivi o conduttori come acqua salata, alcuni agenti chimici, agenti candeggianti o prodotti contenenti agenti candeggianti potrebbero provocare un corto circuito.

CARATTERISTICHE DEL PRODOTTO

PROTEZIONE DA SOVRACCARICO E SURRISCALDAMENTO

Il prodotto è dotato di un dispositivo di protezione da sovraccarico. Quando viene rilevato un sovraccarico, il prodotto si spegne automaticamente. Se il dispositivo di protezione da sovraccarico viene inserito il tasto on-off (acceso-spento) dovrà essere rilasciato. Premere il tasto on-off (acceso-spento) per riavviare il prodotto.

Il gruppo batteria viene protetto da sovraccarico. Le batterie non funzioneranno in temperature estreme. Toccare le batterie: se sono troppo calde, lasciarle raffreddare prima di riprendere l'utilizzo. Se l'utensile non funziona, ricaricare la batteria.

NOTA: Il LED indicatore del gruppo batterie non funzionerà se il dispositivo di protezione della batteria avrà bloccato l'alimentazione dell'utensile. Rilasciare il pulsante di accensione o rimuovere la batteria dal

prodotto; l'indicatore LED della batteria riprenderà a funzionare normalmente.

CONSIGLI GENERALI PER LE OPERAZIONI DI DECESPUGLIATURA

Il tempo di funzionamento della batteria dipende dalla condizione, lunghezza e densità dell'erba.

Regolare l'altezza di taglio del decespugliatore in modo da corrispondere alla condizione attuale dell'erba da tagliare.

Condizioni dell'erba	Regolazione altezza consigliata		Copertura (massima)	
	Primo passaggio	Passaggi successivi	Batteria 4 Ah	Batteria 5 Ah
Molto sottile / Asciutta	3	2	200 m ²	250 m ²
Sottile / Asciutta	4	3 → 2	150 m ²	200 m ²
Media / Densa	5	4 → 3	100 m ²	150 m ²

* Batteria: RB18L40

- Per prestazioni ottimali, tagliare sempre un terzo o meno dell'altezza totale dell'erba.
- Quando si taglia erba alta, ridurre la propria velocità per permettere un taglio più efficace e una raccolta migliore degli scarti.
- Non tagliare l'erba bagnata; rimarrà incollata ai lati dell'utensile e preverrà un'adeguata raccolta o l'adeguato scarico dei ritagli dell'erba.
- Erba nuova o spessa potrà aver bisogno di essere tagliata a un'altezza di taglio più alta.
- Per raccogliere i ritagli d'erba per lo smaltimento, staccare la presa per macinatura e montare il contenitore di raccolta dell'erba assicurandosi che il coperchio dello scivolo di scarico dell'erba sia correttamente chiuso. Svuotare il sacchetto dell'erba regolarmente, in caso contrario il tubo di scarico si bloccherà a causa della quantità di scarti d'erba.
- In caso di interruzione di corrente o per fare in modo che i ritagli d'erba rimangano sul prato, montare la presa per macinatura e chiudere il coperchio dello scivolo di scarico dell'erba per coprire l'apertura di scarico. Non è necessario montare il raccogliherba in questo caso.

EN
FR
DE
ES

IT

NL

PT

DA

SV

FI

NO

RU

PL

CS

HU

RO

LV

LT

ET

HR

SL

SK

BG

UK

TR

- Il prodotto è concepito per funzionare e tagliare più efficacemente quando viene spostato in avanti.
- Un'altezza di taglio più alta estenderà il tempo di funzionamento della batteria.

TRASPORTO E RIPONIMENTO

- Arrestare il prodotto, togliere la chiave d'isolamento e la batteria. Assicurarsi che tutte le parti in movimento si siano arrestate. Prima di riporre il prodotto o di trasportarlo in un veicolo, lasciarlo raffreddare.
- Rimuovere eventuali materiali di scarto dal prodotto. Riporre in un luogo asciutto e ben ventilato non accessibile ai bambini. tenerlo a distanza da agenti corrosivi, come le sostanze chimiche per il giardinaggio e il fondente chimico. Non riporre all'esterno.
- Quando si trasporta il tosaerba a bordo di un veicolo, togliere la chiave d'isolamento e assicurarlo saldamente onde evitare che spostandosi o cadendo possa danneggiarsi o causare lesioni alle persone.

⚠ AVVERTENZA

Prestare estrema attenzione quando si solleva o si inclina il prodotto per eseguire la manutenzione, la pulizia, la conservazione o il trasporto: la lama è molto affilata. Tenere tutte le parti del corpo lontane dalla lama quando questa è visibile.

TRASPORTO BATTERIE AL LITIO

Trasportare le batterie rispettando quanto indicato dalle norme e regolamentazioni locali. Far rispettare quanto indicato sulle etichette e sull'involucro quando la batteria viene trasportata da terzi. Assicurarsi che le batterie non entrino in contatto con altre batterie o con materiali conduttivi mentre si trasportano proteggendo connettori esposti con tappi o nastro isolante e non conduttivo. Non trasportare batterie rotte o che perdono liquidi. Consultare la ditta produttrice per eventuali ulteriori consigli.

MANUTENZIONE

⚠ AVVERTENZA

Utilizzare solo parti di ricambio, accessori e dispositivi originali della ditta produttrice. In caso contrario si potranno causare lesioni, prestazioni basse e la garanzia verrà invalidata.

⚠ AVVERTENZA

Le operazioni di manutenzione devono essere svolte con grande attenzione e accortezza solo da un tecnico qualificato. Far riparare il prodotto esclusivamente da un centro assistenza autorizzato. Quando si svolgono le operazioni di manutenzione, utilizzare solo parti di ricambio originali della ditta produttrice.

- Arrestare il prodotto, togliere la chiave d'isolamento e la batteria. Assicurarsi che tutte le parti mobili si siano arrestate completamente prima di qualsiasi attività di pulizia o manutenzione.
- Si potranno svolgere le regolazioni e riparazioni indicate qui. Per altre riparazioni o consigli, rivolgersi a un centro servizi autorizzato.
- Sostituire parti consumate o danneggiate per una maggiore sicurezza.
- Controllare spesso il cestello raccogliherba per evidenziare segni di usura e deterioramento.
- Dopo ogni uso, pulire il prodotto con un panno morbido e asciutto. Riparare eventuali parti danneggiate o farle sostituire da un centro servizi autorizzato.
- Controllare frequentemente dadi, bulloni e viti, verificando che siano stati assicurati correttamente per fare in modo che il prodotto garantisca condizioni di lavoro ottimali.
- Fare attenzione durante le regolazioni dell'utensile per evitare di rimanere intrappolati con le dita tra le lame in movimento e le parti fisse dell'utensile.
- Quando si svolgono operazioni di manutenzione sulle lame, ricordare che, nonostante l'alimentazione sia spenta, le lame possono ancora muoversi.
- La lama sul prodotto è affilata. Fare

attenzione e indossare guanti da lavoro quando si svolgono le operazioni di montaggio, sostituzione, pulizia o quando si controlla la sicurezza del bullone.

- Sostituire le lame usurate o danneggiate e i bulloni tutti assieme per mantenere l'equilibrio.
- I bulloni delle lama devono essere serrati in modo appropriato. **Consultare le raccomandazioni del produttore per conoscere i valori di coppia per i bulloni della lama; sono riportati nella tabella dei dati tecnici del prodotto in questo manuale.**

RIMUOVERE UN BLOCCO

- Arrestare il prodotto, togliere la chiave d'isolamento e la batteria. Assicurarsi che tutte le parti in movimento si siano arrestate.
- Indossare sempre guanti di protezione pesanti quando si controllano e rimuovono eventuali blocchi.
- Le lame sono affilate e l'ostruzione stessa potrebbe essere costituita da un oggetto affilato.
- Rimuovere il contenitore di raccolta, verificare la presenza di ostruzioni e rimuoverle facendo attenzione.
- Verificare la presenza di ostruzioni nello scivolo di scarico dell'erba e rimuoverle facendo attenzione.
- Girare di lato il prodotto, verificarne la parte inferiore e la zona attorno alla lama. In caso di ostruzioni, rimuoverle prestando attenzione. Ricordare che la lama potrebbe muoversi durante le operazioni di pulizia.

RISCHI RESIDUI

Anche quando il prodotto viene utilizzato come indicato, è impossibile eliminare completamente alcuni fattori di rischio residuo. Si potranno correre i seguenti rischi durante l'utilizzo e l'operatore dovrà fare particolare attenzione per evitare quanto segue:

- Lesioni causate da vibrazioni
 - Utilizzare sempre l'attrezzo corretto per il lavoro che si desidera svolgere. Utilizzare i manici appositi e limitare le ore di lavoro e l'esposizione.
- Lesioni causate dal rumore.

– L'esposizione al rumore può causare lesioni all'udito. Indossare cuffie di protezione e limitare l'esposizione.

- lesioni da contatto con le lame
- Incidenti causati da oggetti scagliati intorno

RIDUZIONE DEL RISCHIO

Si è accertato che le vibrazioni causate da utensili a mano possono contribuire a causare una condizione chiamata Sindrome di Raynaud in alcune persone. I sintomi, comprendenti formicolio, intorpidimento e perdita di colore alle dita, si verificano di solito quando ci si espone al freddo. Fattori ereditari, esposizione a freddo e umidità, una dieta scorretta, fumo e condizioni di lavoro non sicure potranno contribuire allo sviluppo di questi sintomi. È possibile prendere delle precauzioni per ridurre le vibrazioni:

- Tenere il corpo al caldo a basse temperature. Quando si utilizza il prodotto indossare guanti per tenere le mani e i polsi caldi. Le basse temperature contribuiscono a causare la Sindrome di Raynaud.
- Dopo aver utilizzato l'utensile per un certo periodo, fare degli esercizi per stimolare la circolazione del sangue.
- Fare spesso delle pause. Limitare la quantità di esposizione giornaliera.

Nel caso in cui si provino i sintomi di questa condizione, interrompere immediatamente l'utilizzo dell'utensile e consultare un dottore.

⚠ AVVERTENZA

Il prolungato utilizzo dell'utensile potrà causare o aggravare lesioni. Quando si utilizza questo utensile per periodi di tempo prolungati, assicurarsi di fare sempre delle pause regolari.

FAMILIARIZZARE CON IL PRODOTTO

Vedere pagina 193.

Parti

1. Manico
2. Tasto acceso-spento
3. Tasto di avvio
4. Cavo di controllo motore
5. Dispositivo di blocco cavo di controllo motore
6. Vano batterie

7. Manopola impugnatura
8. Indicatore sacchetto erba pieno
9. Dispositivo raccogliherba
10. Coperchio dello scivolo di scarico dell'erba
11. Blocco della maniglia
12. Ruote posteriori
13. Leva regolazione altezza
14. Ruote anteriori
15. Chiave isolatore
16. Batteria
17. Caricatore
18. Presa dispositivo di triturazione

SIMBOLI SUL PRODOTTO



Leggere e comprendere tutte le istruzioni prima di mettere in funzione il prodotto, seguire tutte le istruzioni e le avvertenze di sicurezza.



Indossare cuffie di protezione



Indossare dispositivi di protezione occhi



Non mettere in funzione su superfici che presentino una inclinazione superiore a 15°. Operare un taglio obliquo sui pendii, non tagliare mai passando il tosaerba in su e in giù.



Non esporre a pioggia o umidità.



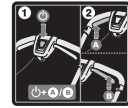
Fare attenzione alle lame affilate. Le lame continueranno a girare dopo aver arrestato il motore – Rimuovere la chiave dell'isolatore prima di svolgere le operazioni di manutenzione.



Fare attenzione ad oggetti scagliati o lanciati dall'utensile. Tenere lontani tutti gli osservatori, soprattutto bambini e animali, ad almeno 15 m dalla zona di funzionamento.



La maniglia ha tre livelli d'altezza regolabili. Assicurarsi che i tubi siano stati correttamente infilati, specialmente nel livello più alto. Se non correttamente inserita e bloccata, la maniglia potrebbe sfuggire dai fori.



Premere il tasto Start (avvio) e quindi il tasto On-off (Acceso-Spento) (A o B) per avviare il prodotto. Rilasciare il tasto di Avvio e continuare a premere il tasto On-Off (Acceso-Spento) per avviare il prodotto. Rilasciare il tasto On-off per arrestare il prodotto.



Avvio



Arresto



Leggere attentamente le istruzioni prima di avviare l'utensile.



I prodotti elettrici non devono essere smaltiti con i rifiuti domestici. Vi sono strutture per smaltire tali prodotti. Informarsi presso il proprio Comune o rivenditore di sicurezza per smaltire adeguatamente tali rifiuti.



Questo apparecchio è conforme a tutte le norme vigenti nel paese dell'UE in cui è stato acquistato.



Marchio di conformità EurAsian



Marchio di conformità ucraino



Il livello di pressione sonora garantito indicato su questa etichetta è di 96 dB.

Le parole e i messaggi di avvertimento spiegano i livelli di rischio associato con il prodotto.

⚠ PERICOLO

Indica una situazione pericolosa che, se non evitata attentamente, potrà causare gravi lesioni alla persona o morte.

⚠ AVVERTENZA

Indica una situazione potenzialmente pericolosa che, se non evitata attentamente, potrà causare gravi lesioni alla persona o morte

⚠ ATTENZIONE

Indica una situazione potenzialmente pericolosa che, se non evitata attentamente, potrà causare lesioni minori o moderate alla persona.

ATTENZIONE

(senza simbolo di allarme in materia di sicurezza) Indica una situazione che può provocare danni materiali.

SIMBOLI NEL PRESENTE MANUALE



Parti o accessori venduti separatamente



Note



Avvertenze

Veiligheid, prestaties en betrouwbaarheid kregen toprioriteit in het ontwerp van uw snoerloze heggenchaar.

VOORGESCHREVEN GEBRUIK

Deze draadloze grasmaaier is alleen bedoeld voor gebruik buiten.

Dit product is geschikt voor huishoudelijk grasmaaien. Het maaiblad moet ongeveer parallel draaien met de grond waarover het wordt gereden. Alle vier de wielen moeten bij het maaien contact maken met de grond. Het is een grasmaaimachine die wordt bediend door een voetganger die achter de machine loopt.

Het product mag nooit worden gebruikt met de wielen van de grond. Er mag niet aan worden getrokken of tevens mag er niet op worden gereden. Deze mag niet worden gebruikt om iets anders dan huishoudelijke gazons te maaien.

Gebruik niet voor andere doeleinden.

ALGEMENE VEILIGHEIDSWAARSCHUWINGEN

⚠ WAARSCHUWING

Wanneer u het product gebruikt, moeten de veiligheidsregels worden opgevolgd. Voor uw eigen veiligheid en deze van omstanders, dient u deze instructies te lezen voor u het product gebruikt. Bewaar de instructies voor later gebruik.

⚠ WAARSCHUWING

Gebruik voor het apparaat alleen de accu die in deze handleiding is aangegeven. Wanneer u een accuaangedreven machine gebruikt, moeten altijd standaard veiligheidsmaatregelen worden genomen om het risico op brand, lekkende accu's en letsels te vermijden.

PERSOONLIJKE VEILIGHEID

- Het product kan handen en voeten amputeren en voorwerpen omgooien. Wanneer u deze voorschriften niet opvolgt, kan dit leiden tot ernstige verwondingen of de dood.
- Wees vertrouwd met de bedieningen en het correct gebruik van het product.

- Laat kinderen of mensen met verminderde fysieke, zintuigelijke of mentale vermogens of mensen die niet met deze instructies vertrouwd zijn, het product niet bedienen, reinigen of onderhouden. De plaatselijke wetgeving kan beperkingen opleggen i.v.m. de leeftijd van de bediener. Kinderen moeten onder toezicht staan om ervoor te zorgen dat ze niet met het product spelen.
- Blijf alert en kijk naar wat u doet en gebruik uw gezond verstand wanneer u de machine gebruikt. Gebruik deze machine niet als u moe, ziek of onder de invloed van alcohol, drugs of medicijnen bent. Een klein moment van onoplettendheid terwijl u de machine gebruikt kan leiden tot ernstige letsels.
- Draag een zware, lange broek, lange mouwen en stevig anti-slip-schoeisel. Draag geen korte broek en sandalen en ga nooit op blote voeten. Draag geen loszittende kledij of kledij met loshangende snoeren of touwen.
- Draag altijd een veiligheidsbril met zijdelingse bescherming.
- Zorg altijd dat u stevig op de grond staat, in het bijzonder op hellingen. Bewaar steeds een stevige houvast en goed evenwicht. Stap altijd, loop nooit.
- Gebruik het product langs een helling, nooit op een neer. Wees uiterst voorzichtig wanneer u op een helling van richting verandert.
- Gebruik het product niet in de buurt van afstelplaatsen, dijken, zeer steile hellingen of bermen. Een slechte houvast kan ertoe leiden dat u uitglijdt en valt.

WERKOMGEVING

- Gebruik het product nooit terwijl mensen, in het bijzonder kinderen, of huisdieren zich in een straal van 15 meter van de machine bevinden omwille van het gevaar voor voorwerpen die door contact met het maaiblad worden weggegooid.
- Voorwerpen die door het snijblad van de grasmaaier worden geraakt, kunnen ernstige verwondingen veroorzaken. Inspecteer de plaats waar de machine zal worden gebruikt grondig en verwijder alle stenen, stokken, metaal, draad, beenderen, speelgoed en andere vreemde voorwerpen. Onthoud dat een draad of



EN
FR
DE
ES
IT
NL
PT
DA
SV
FI
NO
RU
PL
CS
HU
RO
LV
LT
ET
HR
SL
SK
BG
UK
TR

kabel in de messen verstrikt kan raken.

- Gebruik het product uitsluitend bij daglicht of goede kunstmatige verlichting.
- Gebruik de machine niet in explosieve atmosferen, zoals in de aanwezigheid van ontvlambare vloeistoffen, gassen of stof. Het werktuig kan vonken veroorzaken die stof of gassen kunnen ontsteken.
- Gebruik de machine niet in vochtig gras of in de regen.
- Gebruik het product niet als er gevaar is voor bliksem.
- Hou er rekening mee dat de bediener of gebruiker verantwoordelijk is voor ongevallen of gevaren t.o.v. anderen of hun eigendom.
- Tragische ongevallen kunnen gebeuren indien de bediener niet alert is op de aanwezigheid van kinderen. Kinderen worden door het toestel en de maaiactiviteiten vaak aangetrokken. Neem nooit aan dat kinderen zullen blijven waar u ze laatst zag.
- Houd kinderen uit het maaigebied en onder toezicht van een andere verantwoordelijke volwassene dan de gebruiker; wees alert en zet het apparaat uit als een kind het gebied betreedt.
- Wees extra voorzichtig bij het naderen van blinde hoeken, struiken, bomen of andere voorwerpen die uw zicht kunnen blokkeren, zoals overhangende takken en struiken.

GEbruik EN ONDERHOUD VAN HET ACCUANGEDREVEN WERKTUIG

- Lees, begrijp en volg altijd de veiligheidsvoorschriften die met uw batterij en lader werden meegeleverd. Als u dit niet doet, kan dit leiden tot een elektrische schok, brand of een andere gevaarlijke situatie. Bewaar alle instructies samen op een veilige plaats voor later gebruik.
- Accuaangedreven gereedschap hoeft niet met een stopcontact te zijn verbonden en bevindt zich daarom altijd in een gebruiksklare toestand. Verwijder de isolatorsleutel wanneer u het product niet gebruikt.
- Verwijder het accupack voor u de machine afstelt, reinigt of materiaal uit de machine verwijdert.
- Zorg ervoor dat de isolatorsleutel wordt

verwijderd voor het accupack wordt ingebracht.

- Een accupack mag uitsluitend worden herladen met de lader die door de fabrikant wordt gespecificeerd. Wanneer u een lader met een niet-compatibel accupack gebruikt kan dit een risico op brand veroorzaken. Gebruik het accupack uitsluitend met de opgelijste oplader.
- Gebruik uitsluitend accupacks die specifiek voor de machine zijn bedoeld. Het gebruik van een ander accupack kan leiden tot risico op brand, elektrische schok of lichamelijke letsels.
- **Wanneer het accupack niet wordt gebruikt, moet u het weg houden van andere metalen objecten, zoals papierclips, munten, sleutels, spijkers, schroeven of andere kleine metalen voorwerpen die een verbinding kan maken van een terminal naar een andere.** Het kortsluiten van de batterijterminals kan vonken, brand, brandwonden of een explosie veroorzaken.
- Plaats geen accuprodukten of hun accu's in de buurt van vuur of hitte. Dit verhoogt het risico op explosies en mogelijke verwondingen.
- Open of beschadig het accupack nooit. Vrijgekomen elektrolyt is corrosief en kan schade aan ogen of huid veroorzaken. Het kan giftig zijn indien het wordt ingenomen.
- Bescherm het accupack tegen vocht en water. Laad de machine niet op een vochtige of natte plek op. Het naleven van deze regel verlaagt het risico op elektrische schok.
- In geval van schade en oneigenlijk gebruik van de accu, kan er stoom vrijkomen. Zorg voor verse lucht en raadpleeg medische hulp ingeval van klachten. De stoom kan leiden tot irritatie van de luchtwegen.
- Laat het batterijpack niet in een voertuig achter in warme of koude omstandigheden.
- Verbrand de accu niet.
- In oneigenlijke omstandigheden, kan een vloeistof uit de accu lekken; vermijd contact hiermee. Als per ongeluk contact voorkomt, spoelt u met water. Als de vloeistof in contact komt met de ogen, dient u bijkomend medische hulp te raadplegen. Vloeistof die uit de accu lekt, kan irritatie of



brandwonden veroorzaken.

VEILIGHEIDSWAARSCHUWINGEN GRASMAAIMACHINE

- Voor u de machine gebruikt, moet u deze altijd visueel inspecteren om zeker te zijn dat maaibladen, maaibladbouten en het maaimechanisme niet zijn versleten of beschadigd.
- Vervang versleten of beschadigde maaibladen en moeren in paren om het evenwicht te bewaren.
- Het maaiblad op het product is scherp. Wees voorzichtig en draag zware handschoenen wanneer u de veiligheidsbout installeert, vervangt, reinigt of controleert.
- Breng het product naar een geautoriseerd onderhoudscentrum om beschadigde of onleesbare etiketten te vervangen.
- Controleer regelmatig of alle moeren, bouten en vijzen goed zijn vastgemaakt om zeker te zijn dat het toestel veilig kan worden gebruikt.
- Controleer de grasvanger regelmatig op slijtage, gaten of defecten.
- Vervang versleten of beschadigde onderdelen voor u het product gebruikt.
- Het product moet worden gestart terwijl de gebruiker achter het handvat staat in de veilige zone. Start het product nooit als:
 - alle vier de wielen zich niet op de bodem bevinden
 - de afvoergoot voor gras is blootgesteld en wordt niet beschermd door de grasbak en het deksel van de afvoergoot voor gras
 - handen en voeten van iedereen die zich binnen het maaibereik bevindt, niet duidelijk zichtbaar zijn.
- Gebruik het product nooit als de aan-/uitknop op het handvat het product niet correct start en stillet.
- Probeer de aan/uitschakelaar nooit in de AAN-stand te vergrendelen; dit is uiterst gevaarlijk.
- Forceer het product niet. Deze zal beter en veiliger werken aan de snelheid waarvoor ze werd ontworpen.
- Stop het maaiblad wanneer u een grintoppervlak oversteekt.
- Trek het product niet achteruit tenzij absoluut nodig. Als u de machine achteruit moet wegsturen van een muur of obstructie, kijk dan eerst naar beneden en achter u om te voorkomen dat u struikelt en de machine over uw voeten trekt.
- Leg de motor stil en laat het maaiblad stilvallen als de grasmaaimachine moet worden gekanteld voor transport wanneer u andere oppervlakken dan gras oversteekt en wanneer u de machine van en naar de plaats die moet worden gemaaid, transporteert.
- Gebruik de machine nooit wanneer beschermers of schilden defect zijn of zonder dat de veiligheidsvoorzieningen, bijvoorbeeld deflectoren en/of grasverzamelzakken, zijn geïnstalleerd.
- Het product mag niet worden gekanteld worden als de motor wordt ingeschakeld of als de motor draait. Zo nodig kunt u de voorkant van de grasmaaier maximaal 5 cm optillen voor een eenvoudiger start. Druk hiervoor de hendel naar beneden. Zorg dat de maaier zich weer in zijn normale positie bevindt, met alle wielen op de grond, voordat u met maaien begint. Door de grasmaaier te kantelen worden de messen blootgesteld, wat de kans op het wegschieten van voorwerpen of onbedoeld contact met de messen vergroot.
- Schakel de motor voorzichtig in, volgens de instructies en zorg dat handen en voeten zich uit de buurt van de messen bevinden. Steek uw handen of voeten niet in de buurt van of onder ronddraaiende onderdelen.
- Hef het product nooit op of draag het nooit terwijl de motor draait.
- Stop het product en verwijder de isolatersleutel en de accu. Zorg ervoor dat alle bewegende delen volledig tot stilstand zijn gekomen:
 - wanneer u het product onbeheerd achter laat (ook bij het verwijderen van het grasafval)
 - alvorens een blokkade te verwijderen of de afvoergoot te ontstoppen
 - voor u het product controleert, reinigt of aan het product werkt.
 - voor u de grasopvangbak verwijdert of het deksel van de grasopvangbak verwijdert
 - nadat een vreed voorwerp de machine

heeft geraakt; inspecteer de machine op schade en herstel de machine indien nodig voor u de ze heropstart en opnieuw gebruikt.

- als het product abnormaal begint te trillen (onmiddellijk controleren)
 - op schade controleert, in het bijzonder de handvatten
 - vervang of repareer alle beschadigde onderdelen
 - controleer op losse onderdelen en maak vast
- Vermijd gaten, sporen, oneffenheden, stenen of andere verborgen voorwerpen. Een oneven terrein kan ervoor zorgen dat u wegglijdt en valt.
- Zorg er altijd voor dat de motorbesetingskabel tijdens de montage of wanneer het handvat wordt geplooid, nooit geklemd of op een andere manier beschadigd raakt.

EXTRA WAARSCHUWINGEN BATTERIJVEILIGHEID

⚠ WAARSCHUWING

Voorkom brand, persoonlijk letsel of materiële schade door kortsluiting en dompel het gereedschap, de wisselaccu en het laadtoestel niet onder in vloeistoffen en waarborg dat geen vloeistoffen in de apparaten en accu's kunnen dringen. Corrosieve of geleidende vloeistoffen zoals zout water, bepaalde chemicaliën, bleekmiddelen of producten die bleekmiddelen bevatten, kunnen een kortsluiting veroorzaken.

PRODUCTKENMERKEN

OVERBELASTING EN OVERVERHITTING BESCHERMING

Het product heeft een overbelastingsbeveiliging. Wanneer overbelasting wordt opgespoord, zal het apparaat automatisch worden uitgeschakeld. Als de overbelastingsbescherming geactiveerd is, moet de aan-/uitknop worden losgelaten. Druk op de aan-/uitknop om het product opnieuw op te starten.

Het batterijpack beschikt over hoge oververhittingsbescherming. Te

temperaturen zullen ervoor zorgen dat de accu het werktuig niet langer aandrijft. Voel of de accu oververhit is; als dit zo is, laat hem dan afkoelen voordat u verder gaat met maaien. Als het werktuig nog steeds niet werkt, laadt u de accu opnieuw op.

OPMERKING: Het LED-controlelampje van het accupack zal niet werken als de accubeschermingseigenschap ervoor gezorgd heeft dat het accupack het werktuig niet langer aandrijft. Laat de aan-uit-knop los of verwijder de accu uit het product zodat de led-indicator van de accu zijn normale functie hervat.

ALGEMENE MAAITIPS

De looptijd van de batterij hangt af van de toestand, lengte en dichtheid van het gras.

Stel de maaihoogte van de grasmaaimachine af om overeen te komen met de huidige toestand van het gazon dat moet worden gemaaid.

Grastoeestand	Aangewezen hoogte-afstelling		Dekking (maximum)	
	Eerste doorgang	Volgende doorgangen	4 Ah- batterij	5 Ah- batterij
Heel dun / droog	3	2	200 m ²	250 m ²
Dun / droog	4	3 → 2	150 m ²	200 m ²
Medium / dicht	5	4 → 3	100 m ²	150 m ²

* Accu: RB18L40

- Voor de beste resultaten maait u altijd een derde of minder van de totale hoogte van het gras
- Wanneer u lang gras maait, stapt u best trager om efficiënter maaien toe te laten en ervoor te zorgen dat het afval goed wegraakt.
- Maai geen nat gras; het zal aan de onderzijde van de maaier blijven plakken en voorkomen dat het grasafval goed wordt opgevangen of weggeworpen.
- Bij nieuw of dik gras kan een hogere maaihoogte nodig zijn.
- Als u het maaisel wilt verzamelen, verwijder dan het mulchhulpstuk en installeer de grasopvangbak, en zorg ervoor dat de afdekking van de grasuitwerping goed gesloten is. Maak de grasbak regelmatig

leeg, anders raakt de uitlaatklep geblokkeerd met grasafval.

- Als u de grasresten op het gazon wilt laten liggen, installeer dan het mulchhulpstuk en sluit de afdekking van de grasafvoeropening. In dit geval hoeft u de grasopvangbak niet te installeren.
- Het product is ontworpen om het effectiefst te werken en te maaien tijdens voorwaartse beweging.
- Een hogere maaihoogte zal de looptijd van de batterij verlengen.

TRANSPORT EN OPSLAG

- Stop het product en verwijder de isolatersleutel en de accu. Zorg ervoor dat alle bewegende delen volledig tot stilstand zijn gekomen. Laat het product afkoelen voordat u het opbergt of vervoert in een voertuig.
- Verwijder alle vreemde voorwerpen van het product. Bewaar op een koele, droge en goed geventileerde plaats die niet toegankelijk is voor kinderen. Houd corrosieve producten, zoals tuinchemicaliën en strooizout uit de buurt van het apparaat. Bewaar niet buitenshuis.
- Borg het apparaat bij transport in een voertuig tegen beweging of vallen om persoonlijk letsel, schade aan het apparaat, of verlies van brandstof te voorkomen en verwijder de isolatorsleutel.

⚠ WAARSCHUWING

Wees uiterst voorzichtig bij het optillen of kantelen van het product voor onderhoud, reiniging, opslag of transport. Het mes is scherp. Houdt alle lichaamsdelen uit de buurt van het mes als het wordt blootgesteld.

LITHIUMBATTERIJEN TRANSPORTEREN

De accu's dienen in overeenstemming met de plaatselijk en nationale regelgeving te worden getransporteerd.

Respecteer alle speciale voorwaarden op de verpakking en etikettering wanneer u de accu's door derden laat transporteren. Zorg ervoor dat de accu's tijdens het transport niet in contact komen met andere batterijen of geleidende materialen door blootliggende connectoren met isolerende, niet-geleidende doppen of

plakband te beschermen. Transporteer geen accues die lekken of gebarsten zijn. Overleg met het transportbedrijf voor verder advies.

ONDERHOUD

⚠ WAARSCHUWING

Gebruik uitsluitend originele vervangonderdelen, accessoires en voorzetstukken van de fabrikant. Als u dit niet doet, kan dit mogelijks letsels of slechte prestaties veroorzaken waardoor uw garantie kan vervallen.

⚠ WAARSCHUWING

Het onderhoud vereist extreme voorzichtigheid en deskundigheid en mag enkel door een gekwalificeerde onderhoudstechnicus worden uitgevoerd. Het product mag uitsluitend door een erkend servicecentrum worden gerepareerd. Gebruik uitsluitend originele vervangonderdelen wanneer u onderhoudswerken aan de machine uitvoert.

- Stop het product en verwijder de isolatersleutel en de accu. Zorg dat alle bewegende onderdelen volledig tot stilstand zijn gekomen voordat u schoonmaak- of onderhoudstaken uitvoert.
- U kunt aanpassingen en reparaties maken die hier staan beschreven. Voor andere herstellingen of advies, vraagt u hulp in een geautoriseerd onderhoudscentrum.
- Vervang versleten of beschadigde onderdelen om de veiligheid te bewaren.
- Controleer de grasvanger regelmatig op slijtage en sleet.
- Na elk gebruik, reinigt u het product met een zachte, droge doek. Een beschadigd onderdeel moet door een geautoriseerd onderhoudscentrum goed worden gerepareerd of vervangen.
- Controleer regelmatig of alle moeren, bouten en vijzen goed zijn vastgemaakt om zeker te zijn dat het product veilig kan worden gebruikt.
- Wees voorzichtig wanneer u de machine afstelt om te voorkomen dat uw vingers tussen de bewegende en vaste delen van



de machine geklemd raken.

- Wanneer u de maaibladen onderhoudt, dient u er rekening mee te houden dat, ondanks het feit dat de stroombron is uitgeschakeld, de maaibladen nog steeds kunnen worden bewogen.
- Het maaiblad op het product is scherp. Wees voorzichtig en draag zware handschoenen wanneer u de veiligheidsbout installeert, vervangt, reinigt of controleert.
- Vervang versleten of beschadigde maaibladen en moeren in paren om het evenwicht te bewaren.
- De mesbouten moeten stevig worden vastgedraaid. **Zie de aanbevelingen van de fabrikant voor mesboutsorsie. Deze kan worden gevonden in de productspecificatietabel in deze handleiding.**

OBSTRUCTIE VERWIJDEREN

- Stop het product en verwijder de isolatersleutel en de accu. Zorg ervoor dat alle bewegende delen volledig tot stilstand zijn gekomen.
- Draag altijd zware veiligheidshandschoenen wanneer u een obstructie controleert en vrijmaakt.
- De bladen zijn scherp en de blokkage zelf kan een scherp voorwerp zijn.
- Verwijder de grasvanger en controleer of er verstoppingen zijn en verwijder deze zorgvuldig.
- Controleer de grasafvoergoot op verstoppingen en verwijder deze zorgvuldig.
- Leg het product op zijn kant en controleer de onderkant en de ruimte rond het mes. Als u een verstopping vindt, verwijder deze dan voorzichtig. Denk erom dat het mes tijdens het schoonmaken kan bewegen.

RESTRISICO'S

Zelfs wanneer het product zoals voorgeschreven wordt gebruikt, is het nog steeds onmogelijk om bepaalde restrisico's volledig te elimineren. De volgende gevaren kunnen ontstaan tijdens het gebruik en de bediener moet bijzondere aandacht hebben om de volgende situaties te voorkomen:

- Letsels veroorzaakt door trillingen

- Gebruik altijd het voor de taak geschikte werktuig. Gebruik de toegewezen handvaten en beperk de gebruikstijd en blootstelling.

- Verwondingen veroorzaakt door geluid.
 - Blootstelling aan geluid kan gehoorletsels veroorzaken. Draag gehoorbescherming en beperk de blootstelling.
- verwondingen als gevolg van contact met de maaibladen
- Letsel veroorzaakt door losse voorwerpen

RISICOBEPERKING

Er zijn meldingen dat trillingen van handwerktuigen bij sommige mensen bijdragen tot het Syndroom van Raynaud. Symptomen kunnen ondermeer tintelingen, gevoelloosheid en bleek worden van de vingers omvatten, wat normaal gezien duidelijk wordt bij blootstelling aan koude. Erfelijke factoren, blootstelling aan koude en vocht, dieet, roken en werkroutine kunnen allemaal bijdragen tot de ontwikkeling van deze symptomen. Er kunnen door de bediener maatregelen worden genomen om de gevolgen van de trillingen te beperken:

- Houd bij koud weer uw lichaam warm. Draag handschoenen terwijl u het product gebruikt om de handen en polsen warm te houden. Men neemt aan dat koud weer een belangrijke factor is die bijdraagt tot het Syndroom van Raynaud.
- Doe oefeningen om de bloeddoorstroming te bevorderen na elke periode van gebruik.
- Neem regelmatig een pauze. Beperk het aantal uren dat u per dag wordt blootgesteld.

Wanneer u enige van de symptomen van deze aandoening ervaart, stop dan onmiddellijk met het gebruik van het toestel en raadpleeg uw dokter

⚠ WAARSCHUWING

Letsels kunnen worden veroorzaakt of ernstiger worden door verlengd gebruik van een werktuig. Als u een werktuig gedurende langere periodes gebruikt, neem dan regelmatig pauze.

EN
FR
DE
ES
IT
NL
PT
DA
SV
FI
NO
RU
PL
CS
HU
RO
LV
LT
ET
HR
SL
SK
BG
UK
TR



KEN UW PRODUCT

Zie pagina 193.

Onderdelen

1. Handvat
2. Aan/uit-knop
3. Startknop
4. Motorbesturingskabel
5. Motorbedieningskabelhouder
6. Accudeur
7. Handvat
8. Indicatielampje grasbak vol
9. Grasvanger
10. Afdekking grasuitwerping
11. Vergrendeling van de hendel
12. Achterwiel
13. Hoogteafstellingshendel
14. Voorwiel
15. Isolatorsleutel
16. Accu
17. Lader
18. Mulching plug

SYMBOLEN OP HET PRODUCT



Lees en begrijp alle instructies voor u het product bedient, volg alle waarschuwingen en veiligheidsinstructies.



Draag gehoorbescherming



Draag gezichtsbescherming



Gebruik niet bij hellingen steiler dan 15°. Maai dwars langs hellingen, nooit op en neer.



Stel niet bloot aan regen of vocht.



Pas op voor het scherpe maaiblاد. De maaibladen blijven draaien nadat de motor is uitgeschakeld - verwijder de isolatorsleutel voor onderhoud



Houd rekening met weggeslingerde of rondvliegende voorwerpen. Houd alle omstanders, in het bijzonder kinderen en huisdieren, op tenminste 15m afstand van het werkgebied.



De hendel heeft 3 hoogteniveaus. Controleer dat de buizen stevig in de gaten zitten, met name op het hoogste niveau. De hendel kan uit de gaten slippen als deze niet stevig is vastgemaakt.



Druk op de start-knop en dan op de aan/uit-knop (A of B) om het product te starten. Laat de start-knop los en blijf op de aan/uit-knop drukken om het product te bedienen. Laat de Aan/Uit-knop los om het product te doen stilvallen.



Aan



Stop



Gelieve de instructies zorgvuldig te lezen voordat u de machine in gebruik neemt.



Elektrisch afval mag niet samen met ander huishoudafval worden weggegooid. Gelieve te recyclen indien de mogelijkheid bestaat. Neem contact op met uw lokaal bestuur of handelaar om advies te krijgen over recyclage.



Dit apparaat voldoet aan alle geldende normen van Lid-Staat van de Europese Unie waar het werd gekocht.



EurAsian-symbool van overeenstemming



Oekraïens conformiteitssymbool



De gegarandeerde geluidsdruk wordt op dit etiket als zijnde 96 dB.

De volgende signaalwoorden en betekenissen zijn bedoeld om de gevaarniveaus die met het product zijn verbonden, te verklaren:

⚠ GEVAAR

Wijst op een gevaarlijke situatie die, als ze niet wordt voorkomen, dodelijk kan zijn of ernstige verwondingen kan veroorzaken.

⚠ WAARSCHUWING

Wijst op een mogelijks gevaarlijke situatie die, als ze niet wordt voorkomen, dodelijk kan zijn of ernstige verwondingen kan veroorzaken.

⚠ LET OP

Wijst op een mogelijks gevaarlijke situatie die, als ze niet wordt voorkomen, kleine of middelmatige verwondingen kan veroorzaken.

LET OP

(Zonder veiligheidswaarschuwingssymbool)
Wijst op een situatie die kan leiden tot materiële schade.

SYMBOLLEN IN DEZE GEBRUIKSAANWIJZING



Onderdelen of accessoires afzonderlijk verkocht



Opmerking



Waarschuwing

Segurança, desempenho e fiabilidade foram as prioridades na concepção da seu corta-sebes sem fios.

USO PREVISTO

O corta-relvas eléctrico recarregável destina-se a ser utilizado apenas ao ar livre.

Este produto foi concebido para o corte doméstico de relva. A lâmina deve girar aproximadamente paralela ao solo sobre o qual está a girar. As quatro rodas devem tocar o chão, enquanto estiver a cortar. É um corta-relva de tração manual com operário a pé.

O aparelho nunca deve ser operado sem as rodas estarem apoiadas no chão. O utilizador não deve puxá-lo nem sentar-se em cima dele. Só deve ser usada para cortar relvado de jardins.

Não a use para nenhuma outra finalidade.

AVISOS GERAIS DE SEGURANÇA

⚠ ADVERTÊNCIA

Ao utilizar o produto, devem seguir-se as normas de segurança. Para a sua própria segurança e a dos que o rodeiam, leia estas instruções antes de utilizar o produto. Guarde as instruções para usá-las no futuro.

⚠ ADVERTÊNCIA

Utilize o produto apenas com os conjuntos de baterias especificados neste Manual. Ao usar a máquina com a bateria a funcionar, deve seguir sempre as precauções básicas de segurança para reduzir o risco de incêndio, fugas da bateria e danos corporais.

SEGURANÇA PESSOAL

- O produto tem capacidade para amputar mãos e pés, e para projectar objectos! Na eventualidade de não cumprir com todas as instruções de segurança, tal poderá causar graves lesões ou morte.
- Familiarize-se com os controlos e a utilização adequada do aparelho.
- Nunca permita que crianças ou pessoas com capacidades físicas, sensoriais ou mentais reduzidas, ou pessoas não

familiarizadas com estas instruções, operem, limpem ou realizem qualquer manutenção no aparelho. A legislação local pode restringir a idade do operador. As crianças devem ser mantidas sob vigilância adequada para se garantir que não brincam com o produto.

- Ao operar esta unidade, permaneça alerta, tenha em atenção ao que está a fazer e use o bom senso. Não opere esta unidade se estiver cansado ou sob a influência de drogas, álcool ou medicamentos. Uma falta de concentração durante o funcionamento do cortador pode resultar em lesão corporal grave.
- Use calças compridas de tecido grosso, mangas compridas e calçado grosso anti-derrapante. Não use calções e sandálias, nem ande descalço. Evite usar roupa larga ou com cordões ou laços.
- Use sempre óculos de segurança com protectores laterais.
- Tenha sempre certeza onde põe os pés, especificamente em sítios inclinados. Mantenha-se bem apoiado e equilibrado. Ande e nunca corra.
- Utilize o aparelho na superfície de encostas, nunca para cima, nem para baixo. Tenha extrema cautela ao mudar de direcção nas inclinações.
- Não utilize o aparelho perto de declives, valas, zonas de inclinação excessiva ou aterros. Um fraco equilíbrio pode causar um acidente em que escorrega e cai.

AMBIENTE DE TRABALHO

- Devido ao perigo de projecção de objetos que possam entrar em contacto com a lâmina, evite utilizar o produto a menos de 15 m de distância de outras pessoas, especialmente crianças ou animais.
- Os objectos atirados pela lâmina do corta relva podem causar graves lesões às pessoas. Inspeccione cuidadosamente a área onde o cortador vai ser utilizado e retire todas as rochas, paus, metais, fios, ossos, brinquedos ou outros objectos estranhos. Lembre-se, o fio ou o cabo podem emaranhar-se com as lâminas.
- Utilize o aparelho apenas com luz diurna ou com uma boa luz artificial.
- Não opere a máquina em atmosferas explosivas, tais como na presença de



Líquidos inflamáveis, gases ou poeira. A ferramenta pode criar fagulhas que podem incendiar o pó ou os gases.

- Não trabalhe com o cortador em relva molhada ou sob chuva.
- Não utilize o aparelho quando houver risco de relâmpago.
- Mantenha em mente que o operador ou o utilizador é responsável pelos acidentes ou perigos que ocorrem a outras pessoas ou à sua propriedade.
- Podem ocorrer acidentes trágicos caso o operador não esteja alerta em relação à presença de crianças. As crianças sentem-se frequentemente atraídas pela máquina e pela actividade de cortar relva. Nunca assuma que as crianças vão permanecer onde as viu por último.
- Mantenha as crianças afastadas da área de corte da relva e sob o olhar atento de um outro adulto responsável (sem ser o utilizador) e esteja alerta e pronto a desligar o produto se uma criança entrar na área.
- Tenha especial cuidado quando se aproximar de esquinas sem visibilidade, arbustos, árvores ou outros objectos (incluindo ramadas pendentes de arbustos) que possam bloquear a sua visão.

UTILIZAÇÃO E MANUTENÇÃO DA BATERIA

- Leia, compreenda e siga sempre as instruções de segurança que são fornecidas com a sua bateria e carregador. A não observância pode resultar em choque eléctrico, incêndio ou outras situações de perigo. Guarde todas as instruções juntas num local seguro para futuras consultas.
- As unidades operadas com bateria não têm que estar ligadas a uma tomada eléctrica, por conseguinte, estarão sempre em estado de funcionamento. Tire a chave comutadora quando não utilizar o produto.
- Extraia a bateria antes de fazer qualquer ajuste, limpeza ou de tirar material da unidade.
- Certifique-se que a chave de isolamento foi retirada antes de inserir a bateria.
- A bateria apenas deve ser carregada apenas com o carregador especificado pelo fabricante. O uso de um carregador com um pacote de baterias incompatíveis

pode criar um risco de incêndio. Use a bateria apenas com o carregador indicado.

- Utilize apenas a bateria concebida especificamente para a máquina. O uso de qualquer outra bateria pode resultar num risco de incêndio, choque eléctrico ou danos corporais.
- **Quando a bateria não estiver a ser utilizada, mantenha-a afastada de outros objectos metálicos como cliques de papel, moedas, chaves, pregos, parafusos, ou outros pequenos objectos metálicos que podem fazer a ligação de um terminal para outro.** Curto circuitar os terminais da bateria pode provocar faíscas, queimaduras, incêndios e explosões.
- Não coloque aparelhos com bateria ou as respectivas baterias perto de fogo ou fontes de calor. Tal aumenta o risco de explosão e de lesões.
- Não abra nem danifique a bateria. O electrólito libertado é corrosivo e pode causar danos nos olhos ou na pele. Pode ser tóxico no caso de ingestão.
- Proteja a bateria contra a humidade e a água. Não carregue a unidade em lugares húmidos ou molhados. O cumprimento desta regra irá reduzir o risco de choque eléctrico.
- Em caso de danos e uso inadequado da bateria, poderia emitir-se vapor. Proporcione ar fresco e vá a um médico em caso de queixas. O vapor pode irritar o sistema respiratório.
- Não deixe a bateria dentro de um veículo em condições de frio ou calor.
- Não queime a bateria.
- Sob circunstâncias abusivas, o líquido pode ser ejectado da bateria, evite o contacto. Se o contacto ocorrer acidentalmente, limpe com água abundante. Se o líquido entrar em contacto com os olhos, procure adicionalmente assistência médica. O líquido ejectado da bateria pode causar irritação ou queimaduras.

AVISOS DE SEGURANÇA DO CORTADOR DE RELVA

- Antes de a utilizar, realize sempre uma inspecção visual para assegurar-se de que as lâminas, os pernos da lâmina e o conjunto cortador não estão gastos ou



danificados.

- Substitua lâminas e parafusos desgastados em conjunto de modo a preservar o equilíbrio.
- Este aparelho contém uma lâmina afiada. Tenha cuidado e use luvas pesadas ao encaixar, substituir, limpar ou verificar o parafuso de segurança.
- Leve o produto a um centro de serviço autorizado para substituir as etiquetas danificadas ou ilegíveis.
- Verifique todas as porcas, pregos e parafusos com intervalos frequentes para confirmar a tensão apropriada e se certificar que o equipamento está em condições seguras de funcionamento.
- Verifique o coletor de erva frequentemente para ver se existe desgaste, buracos ou deterioração.
- Substitua as peças desgastadas ou danificadas antes de operar o aparelho.
- O produto deve ser ligado com o utilizador situado atrás do guiador, na zona de segurança do operário. Nunca ligue o produto se:
 - as quatro rodas não estiverem no chão
 - a calha de descarga de aparas está exposta e não está protegida pela caixa de aparas e pela tampa da calha de descarga de aparas
 - se houver pés ou mãos na zona de corte
- Nunca utilize o produto se o interruptor de ligar/desligar situado no guiador não ligar e desligar o produto de forma correta.
- Nunca tente bloquear os interruptores on/off (ligar/desligar) na posição ON; isto é extremamente perigoso.
- Não force o produto. Realizará um trabalho melhor e mais seguro à velocidade para a qual foi concebida.
- Pare a lâmina quando passar por superfícies com gravilha.
- Não puxe o aparelho para trás a menos que seja absolutamente necessário. Se tiver de afastar o cortador de um muro ou obstrução, olhe primeiro para baixo e atrás para evitar de tropeçar ou puxar o cortador para os seus pés.
- Pare o motor e deixe que a lâmina pare caso o cortador de relva tenha que ser inclinado para ser transportado ao

atravessar superfícies que não sejam de relva e ao transportar o aparelho para e da área a ser cortada.

- Não utilize a máquina com protecções defeituosas, ou sem ter colocado correctamente os dispositivos de segurança, por exemplo deflectores e/ou apanhadores de relva.
- Não incline o produto ao ligar o motor ou quando o motor estiver em funcionamento. Se for absolutamente necessário para facilitar o arranque, pode subir a frente do corta-relvas, mas não mais do que 5 cm. Para isso, faça força no guiador e empurre-o para baixo. Antes de começar a cortar, volte sempre a pôr o corta-relvas na posição normal, com todas as rodas no chão. Incliná-lo o corta-relvas expõe a lâmina e aumenta a probabilidade de projecção de objectos e de contacto accidental com a lâmina.
- Ligue o motor cuidadosamente, de acordo com as instruções, e mantenha as mãos e os pés afastados das lâminas. Não coloque as mãos ou os pés próximo das peças rotativas.
- Nunca levante nem transporte o aparelho com o motor em funcionamento.
- Desligue o produto, desmonte a chave isoladora e desmonte o conjunto de baterias. Certifique-se de que todas as peças em movimento pararam completamente:
 - Sempre que deixe o produto sem vigilância (inclusive enquanto tira os restos de erva).
 - antes de desobstruir bloqueios ou desentupir a calha de descarga
 - antes de verificar, limpar ou funcionar com o produto
 - antes de remover a caixa de relva ou abrir a calha de descarga de relva
 - após atingir um objeto estranho; inspecione o aparelho para verificar se fez danos e fazer reparações, se necessário, antes de reiniciar e operar a máquina.
 - se o produto começar a vibrar de forma anormal (verifique imediatamente)
 - Quando realizar uma inspeção de danos, em particular nas lâminas.
 - substitua ou repare qualquer peça

danificada

– verifique e aperte as peças soltas

- Evite furos, raízes, solavancos, pedras ou outros objectos escondidos. Um terreno desnivelado pode fazer com que escorregue e caia.
- Verifique sempre se o cabo de controlo de motor nunca fica preso, amassado ou danificado durante a montagem ou ao dobrar a pega.

AVISOS DE SEGURANÇA ADICIONAIS DAS BATERIAS

⚠ ADVERTÊNCIA

Para evitar o risco de incêndio, de feridas ou de danificação do produto causado por um curto-circuito, não imerja a bateria intercambiável ou o carregador em líquidos e assegure-se de que líquidos não penetrem nos aparelhos ou nas baterias. Líquidos corrosivos ou condutivos como água salgada, determinadas substâncias químicas ou produtos que contenham branqueadores podem causar um curto-circuito.

CARACTERÍSTICAS DO PRODUTO

SOBRECARGA E PROTEÇÃO CONTRA SUPERAQUECIMENTO

O produto tem um dispositivo de protecção contra sobrecarga. Quando é detectada uma sobrecarga, o produto desliga-se automaticamente. Se o protetor de sobrecarga for accionado, o botão on-off deve ser libertado. Pressione o botão ligar-desligar para reiniciar o produto.

A bateria tem protecção de sobreaquecimento. Uma temperatura excessiva fará com que a bateria deixe de alimentar a ferramenta. Sinta a temperatura do conjunto de baterias, com a mão: se estiver demasiado quente ao toque, deixe-o arrefecer antes de retomar a utilização. Se a ferramenta continuar sem funcionar, recarregue a bateria.

NOTA: O indicador LED da bateria não funcionará se a função de protecção da bateria provocar que a bateria deixe de alimentar a ferramenta e que esta pare. Para o indicador de LED do conjunto de baterias retomar o funcionamento normal, liberte

o botão de Ligado-Desligado (On-Off) ou desmonte o conjunto de baterias do produto.

CONSELHOS GERIAIS PARA CORTAR A RELVA

O tempo operacional da bateria varia de acordo com a condição, comprimento e densidade da relva.

Ajuste de altura de corte do cortador de relva para se adequar à atual condição do relvado a ser cortado.

Condições da relva	Regulação de altura sugerida		Cobertura (máximo)	
	Primeira passagem	Passagens subsequentes	Bateria de 4 Ah	Bateria de 5 Ah
Muito fina / seca	3	2	200 m ²	250 m ²
Fina / Seca	4	3 → 2	150 m ²	200 m ²
Média / Densa	5	4 → 3	100 m ²	150 m ²

* Bateria: RB18L40

- Para um melhor desempenho, corte sempre um terço ou menos da altura total da relva.
- Ao cortar relva longa, reduza a velocidade de passo para permitir um corte mais eficaz e uma descarga apropriada das aparas.
- Não corte a relva molhada; irá ficar colada à parte inferior da plataforma e impedir a recolha ou descarga adequadas das aparas de relva.
- A relva nova ou densa pode requerer uma altura de corte superior.
- Se pretender recolher os cortes de relva para eliminação, retire o dispositivo para coberturas e instale o coletor de relva, certificando-se de que a tampa de descarga da relva está corretamente fechada. Esvazie a caixa de recolha com frequência, caso contrário, a bolsa de recolha bloqueará com os restos de erva.
- Se estiver a realizar um corte ligeiro e pretender que os restos de relva permaneçam no relvado, coloque o dispositivo para coberturas e feche a descarga de relva para tapar a abertura de descarga. Neste caso, não é necessário colocar o coletor de relva.
- O produto foi concebido para ser utilizado

com a máxima eficiência de corte ao avançar para a frente.

- Uma maior altura de corte irá aumentar o tempo operacional da bateria.

TRANSPORTE E ARMAZENAMENTO

- Desligue o produto, desmonte a chave isoladora e desmonte o conjunto de baterias. Certifique-se de que todas as peças em movimento pararam completamente. Permita que o produto arrefeça antes de guardar ou transportar num veículo.
- Limpe todos os materiais estranhos do produto. Guarde-o num local fresco e seco e bem ventilado a que as crianças não consigam aceder. Mantenha-o afastado de substâncias corrosivas, tais como produtos químicos utilizados em jardinagem e sais de descongelação. Não armazenar ao ar livre.
- Para transportar num veículo, desmonte a chave isoladora e acondicione o produto de forma segura, contra movimentos ou quedas, para impedir ferimentos pessoais ou danos ao produto.

⚠ ADVERTÊNCIA

Tenha o máximo cuidado quando levantar ou inclinar o produto para manutenção, limpeza, armazenamento ou transporte – a lâmina é afiada, portanto, quando a lâmina estiver exposta, mantenha todas as partes do seu corpo afastadas da lâmina.

TRANSPORTE DE BATERIAS DE LÍTIO

Transporte as baterias em conformidade com as disposições e regulamentos locais e nacionais.

Siga todos os requisitos especiais na embalagem e rótulos ao transportar baterias por um terceiro. Certifique-se de que nenhuma bateria pode entrar em contato com outras baterias ou materiais condutores durante o transporte protegendo os conectores expostos com tampas ou fita isoladora e não condutora. Não transporte baterias que estejam rachadas ou com fugas. Confirme com a empresa de envio para mais conselhos.

MANUTENÇÃO

⚠ ADVERTÊNCIA

Utilize apenas peças de substituição, acessórios e encaixes do fabricante original. A inobservância desta indicação pode causar um fraco desempenho, possíveis lesões e poderá anular a sua garantia.

⚠ ADVERTÊNCIA

Os serviços de manutenção requerem extremo cuidado e conhecimentos e devem apenas ser realizado por um técnico de assistência qualificado. Repare o seu produto exclusivamente num centro de assistência autorizado. Durante as operações de manutenção, utilize peças de substituição originais do fabricante.

- Desligue o produto, desmonte a chave isoladora e desmonte o conjunto de baterias. Antes de fazer quaisquer trabalhos de limpeza ou de manutenção, certifique-se de que todas as peças móveis pararam completamente.
- Pode fazer os ajustes e as reparações aqui descritos. Para outros reparos ou conselhos, procurar a ajuda de um centro de serviço autorizado.
- Substitua as peças desgastadas ou danificadas por razões de segurança.
- Verifique o colector de erva frequentemente para ver se existe desgaste ou deterioração.
- Limpar o produto com um pano suave seco depois de cada uso. Qualquer peça danificada deve ser substituída ou reparada adequadamente por um centro de serviço autorizado.
- Verifique todas as porcas, pregos e parafusos com intervalos frequentes para confirmar a tensão apropriada e se certificar que o produto está em condições seguras de funcionamento.
- Tenha cuidado quando estiver a ajustar a máquina de forma a evitar que os seus dedos fiquem presos entre as lâminas em movimento e as peças fixas da máquina.
- Quando efectuar a manutenção das lâminas, tenha em conta que mesmo que a corrente esteja desligada, as lâminas podem na mesma mover-se.

- Este aparelho contém uma lâmina afiada. Tenha cuidado e use luvas pesadas ao encaixar, substituir, limpar ou verificar o parafuso de segurança.
- Substitua lâminas e parafusos desgastados em conjunto de modo a preservar o equilíbrio.
- Os parafusos da lâmina têm obrigatoriamente de estar correctamente apertados. **Consulte a tabela de Características Técnicas deste Manual e siga as recomendações do fabricante para a força de aperto (binário) dos parafusos da lâmina.**

ELIMINAR UMA OBSTRUÇÃO

- Desligue o produto, desmonte a chave isoladora e desmonte o conjunto de baterias. Certifique-se de que todas as peças em movimento pararam completamente.
- Use sempre luvas pesadas de proteção ao verificar e eliminar uma obstrução.
- As lâminas são afiadas e o bloqueio pode ser um objecto cortante.
- Desmonte e inspeccione o saco de aparas, procurando obstruções e, cuidadosamente, retire quaisquer obstruções.
- Inspecione a calha de descarga de aparas, procurando obstruções e, cuidadosamente, retire quaisquer obstruções.
- Tombe o produto, assentando-o de lado, e inspeccione a face inferior e a área à volta da lâmina. Se encontrar quaisquer bloqueios, retire-os cuidadosamente. Não se esqueça de que a lâmina pode mover-se durante a limpeza.

RISCOS RESIDUAIS

Mesmo quando se utiliza o produto segundo as instruções, continua a ser impossível eliminar por completo certos fatores de risco residuais. Podem surgir os seguintes riscos durante o uso e o operador deve prestar especial atenção para evitar o seguinte:

- Lesões por vibração
 - Use sempre a ferramenta adequada para o trabalho. Use pegas concebidas e restrinja o tempo e exposição de trabalho.
- Lesões devido ao ruído

- A exposição ao ruído pode provocar perda de audição. Use proteção para os ouvidos e limite o tempo de exposição.
- dano produzido por contacto com as lâminas
- Ferimentos causados por objectos projectados

REDUÇÃO DO RISCO

Foi reportado que as vibrações das ferramentas de mão podem contribuir para uma doença designada de Síndrome de Raynaud em determinados indivíduos. Os sintomas podem incluir formigueiro, entorpecimento e empalidezimento dos dedos, habitualmente visível aquando da exposição ao frio. Estima-se que os factores hereditários, exposição ao frio e humidade, dieta, tabagismo e práticas de trabalho contribuem todos para o desenvolvimento destes sintomas. Existem medidas que podem ser tomadas pelo operador para possivelmente reduzir os efeitos da vibração:

- Mantenha o seu corpo quente durante o tempo frio. Ao operar o produto, use luvas para manter as mãos e os pulsos quentes. Encontra-se reportado que o tempo frio é um grande factor que contribui para o Síndrome de Raynaud.
- Após cada período de operação, exercite para aumentar a circulação sanguínea.
- Faça pausas frequentes no trabalho. Limite o tempo de exposição por dia.

Caso sinta algum dos sintomas desta doença, interrompa de imediato a sua utilização e consulte o seu médico sobre estes sintomas.

⚠ ADVERTÊNCIA

O uso prolongado de uma ferramenta pode causar o agravar lesões. Ao usar qualquer ferramenta durante períodos prolongados, assegure-se que faz intervalos regulares.

CONHEÇA O SER APARELHO

Ver a página 193.

Peças

1. Manípulo
2. Botão ON/OFF (ligar/desligar)
3. Botão de início
4. Cabo de controlo do motor

5. Retentor do cabo de controlo do motor
6. Porta da bateria
7. Manípulo da pega
8. Indicador de caixa de recolha cheia
9. Coletor de relva
10. Tampa de descarga da relva
11. Bloqueio da pega
12. Roda traseira
13. Alavanca reguladora da altura
14. Roda frontal
15. Chave de isolamento
16. Bateria
17. Carregador
18. Tomada de “mulching”

SÍMBOLOS NO PRODUTO



Leia e compreenda todas as instruções antes de manipular o produto, respeite os alertas e as instruções de segurança.



Use protecção para os ouvidos



Usar protecção para os olhos



Não trabalhe com o cortador em inclinações superiores a 15°. Corte a relva transversalmente nas inclinações, nunca para cima e para baixo.



Não o exponha à chuva ou a condições de humidade.



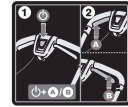
Cuidado com lâminas afiadas. As lâminas continuam a rodar quando se desliga o motor – Tire a chave comutadora antes de realizar qualquer operação de manutenção



Tenha cuidado com os objectos voláteis ou lançados. Mantenha todos os espectadores, especialmente crianças e animais de estimação, a pelo menos 15 m da área de funcionamento.



A pega tem 3 níveis de ajuste de altura. Certifique-se de que os tubos estão correctamente introduzidos, especialmente no nível mais alto de todos. A pega pode escorregar para fora dos furos, se não estiver correctamente introduzida e bloqueada.



Pressione o botão Start (Iniciar) e, em seguida, o botão On/Off (A ou B) para iniciar o aparelho. Solte o botão Start e continue a premir o botão On/Off para operar o aparelho. Solte o botão On-off para parar o aparelho.



Arrancar



Parar



Agradecemos que leia atentamente as instruções antes de iniciar a máquina.



Os aparelhos eléctricos antigos não devem ser eliminados juntamente com o lixo doméstico. Recicle onde existem instalações para o efeito. Verifique com as suas Autoridades Locais ou revendedor para obter informações sobre reciclagem.



Esta ferramenta obedece a todas as normas regulamentares do país da UE onde foi comprada.



Marca de conformidade EurAsian



Marca de conformidade ucraniana



O nível garantido de potência sonora mostrado neste rótulo é de 96 dB.

As seguintes palavras de sinal e significados destinam-se a explicar os níveis de risco associados a este produto:

⚠ PERIGO

Indica uma situação perigosa iminente, que, se não evitada, poderá resultar em morte ou ferimentos graves.

⚠ ADVERTÊNCIA

Indica uma situação potencialmente perigosa, que, se não evitada, poderá conduzir à morte ou graves lesões.

⚠ ADVERTÊNCIA

Indica uma situação potencialmente perigosa, que, se não evitada, poderá resultar em pequenas ou moderadas lesões.

ADVERTÊNCIA

(Sem símbolo de segurança) Indica uma situação que pode provocar danos materiais.

SÍMBOLOS NESTE MANUAL



As peças ou acessórios vendem-se separadamente



Nota



Aviso

Sikkerhed, ydelse og driftssikkerhed har fået topprioritet i designet af din ledningsfri hækkeklipper.

TILTÆNKT ANVENDELSESFORMÅL

Den ledningsfri græsslåmaskine er kun beregnet til udendørsbrug.

Dette produkt er beregnet til klipning af private plæner. Klippekniven bør rotere omtrent parallelt med den jordoverflade, den køres hen over. Alle fire hjul skal røre ved plænen under klipningen. Denne plæneklipper er designet til at blive betjent af en person, som går bag den og skubber den med hånden.

Produktet må aldrig benyttes, hvis hjulene ikke hviler på jorden. Træk ikke græsslåmaskinen baglæns og kørsid ikke på den. Den bør ikke bruges til at klippe andet en private græsplæner.

Må ikke bruges til andre formål.

GENERELLE SIKKERHEDSADVARSLER

⚠ ADVARSEL

Når produktet anvendes, skal sikkerhedsreglerne efterleves. Af hensyn til egen og andres sikkerhed skal man læse denne brugsanvisning, inden produktet anvendes. Disse sikkerhedsregler skal opbevares med henblik på senere brug.

⚠ ADVARSEL

Brug kun produktet med de batterier, der er anført i denne vejledning. Når man bruger den batteridrevne maskine, skal man altid følge de grundlæggende sikkerhedsforanstaltninger for at reducere faren for brand, lækkende batterier og personskader.

PERSONLIG SIKKERHED

- Produktet er i stand til at amputere hænder og fødder og udkaste genstande. Følges alle sikkerhedsinstruktioner ikke, så kan det have alvorlige skader, eller i værste fald døden, til følge.
- Sørg for at blive fortrolig med betjeningselementerne samt korrekt brug af produktet.
- Lad aldrig børn eller personer med

begrænsede fysiske, sensoriske eller mentale evner, eller personer, som ikke er bekendt med denne brugsanvisning, benytte, rengøre eller vedligeholde produktet. Lokale love kan have indflydelse på den tilladte brugerage. Børn bør holdes under tilstrækkeligt opsyn, så man er sikker på, at de ikke leger med produktet.

- Når man bruger produktet, skal man være agtpågivende, iagttage hvad man gør og bruge sund fornuft. Undlad at bruge dette produkt, hvis du er træt, syg eller påvirket af alkohol, narkotika eller medikamenter. Et kort koncentrationssvigt, mens man betjener maskinen, kan medføre alvorlige personskader.
- Bær kraftige, lange bukser, trøje med lange ærme, robust og skridsikkert fodtøj. Bær ikke korte bukser, sandaler, og gå ikke barfodet. Undgå at bære løstsiddende tøj eller frit hængende snører eller slips.
- Vær altid sikkerhedsbriller med sidebeskyttelse.
- Sørg altid for at have godt fodfæste, især på skrånninger. Hold et godt fodfæste og balance. Gå, løb aldrig.
- Kørs produktet på tværs af skrånninger, aldrig op og ned. Udvis stor forsigtighed når græsslåmaskinen vendes på bakker.
- Undgå at bruge produktet nær skrænter, grøfter, meget stejle skåninger eller diger. Dårligt fodfæste kan føre til tab af balance og faldulykker.

ARBEJDSOMGIVELSER

- Undlad at bruge produktet, mens mennesker, især børn, eller kæledyr opholder sig inden for 15 meter, da der er fare for, at genstande kan blive udslynget ved kontakt med kniven.
- Genstande som sætter sig fast i græsslåmaskinens skærebåde kan føre til alvorlige skader. Inspicér omhyggeligt det område, hvor maskinen skal anvendes, og fjern alle sten, pinde, metaldele, ledninger, ben, legetøj eller andre fremmedlegemer. Husk på, at tråd eller snor kan blive filtret ind i klippeudstyret.
- Brug produktet i dagslys eller god kunstig belysning.
- Brug ikke maskinen i eksplosive omgivelser som fx i nærheden af brandbar væske, gas eller støv. Værktøjet kan udløse gnister,



som kan antænde støvet eller dampene.

- Brug ikke maskinen på fugtige, våde steder eller i regnvejr.
- Produktet må ikke benyttes, hvis der er fare for tordenvejr.
- Husk det er brugeren selv der er ansvarlig for ulykker eller farer andre folk bliver udsat for.
- Tragiske yheld kan forekomme hvis brugeren ikke er klar over tilstedeværelsen af børn. Børn tiltrækkes ofte af græsslåmaskinen og dens udførte arbejde. Tag det aldrig for givet, at børn bliver stående det sted du sidst så dem.
- Hold børn fra arbejdsområdet og hold dem under opsyn af en ansvarlig voksen, der ikke selv anvender plæneklipperen. Vær opmærksom, og sluk for produktet, hvis børn bevæger sig ind på arbejdsområdet.
- Vær ekstra forsigtig, når du nærmer dig blinde hjørner, buske, træer og andre ting, herunder overhængende buske, der kan blokere dit udsyn.

BRUG OG PLEJE AF BATTERIVÆRKTØJ

- Læs, forstå og følg altid de sikkerhedsinstruktioner, der fulgte med batteri og oplader. Unladelse heraf kan resultere i elektrisk stød, brand eller andre farlige situationer. Opbevar alle brugsanvisninger samlet på et sikkert sted for fremtidig brug.
- Batteridrevne produkter skal ikke nødvendigvis forbindes til en stikkontakt; de er således altid klar til brug. Fjern afbrydernøglen, når du ikke bruger produktet.
- Inden man foretager justeringer, rengøring eller fjerner materiale fra produktet, skal batteriet udtages.
- Kontrollér, at sikkerhedsnøglen er fjernet, inden batteriet isættes.
- Opladning af batteriet må kun ske med den af producenten foreskrevne oplader. Brug af en oplader med et ukompatibelt batteri kan medføre brandfare. Brug kun batteriet sammen med den foreskrevne oplader.
- Brug kun det batteri, der specifikt er beregnet til maskinen. Brug af andre batterier kan medføre fare for brand, elektrisk stød eller personskader.
- **Når batteriet ikke bruges, må det ikke opbevares sammen med**

metalgenstande som fx papirclips, mønter, nøgler, søm, skruer eller andre metalgenstande, som kan skabe forbindelse mellem batteriets poler.

Hvis batteriets poler kortsluttes, kan de forårsage gnister, forbrændinger, brand eller eksplosion.

- Batteriprodukter eller de tilhørende batterier må ikke anbringes nær ild eller varme. Herved øges faren for eksplosion og evt. personskader.
- Batteriet må ikke åbnes eller mishandles. Udløbende batterisyre er korrosiv og kan forårsage skader på øjne og hud. Den kan være toksisk ved indtagelse.
- Beskyt batteriet mod fugt og vand. Produktet må ikke oplades i fugtige eller våde omgivelser. Overholdelse af denne regel vil reducere risikoen for elektrisk stød.
- I tilfælde af skade og forkert brug af batteriet kan der udledes dampe. Sørg for frisk luft, og kontakt læge, hvis der konstateres gener. Dampen kan irritere åndedrætssystemet.
- Batteripakken må ikke blive siddende i køretøjet under varme eller kolde forhold.
- Batteriet må ikke afbrændes.
- Hvis batteriet misbruges, kan der sprøjte væske ud af det; undgå kontakt med batterivæsken. Ved kontakt med batterivæsken skylles med vand. Hvis der kommer væske i øjnene, søges desuden læge. Udsprøjtet batterivæske kan forårsage irritation eller forbrændinger.

SIKKERHEDSADVARSLER VEDR. PLÆNEKLIPPERE

- Inden ibrugtagning skal man altid visuelt kontrollere, at knive, knivbolte og klippemodul ikke er slidte eller beskadigede.
- Udskift altid slidte eller beskadigede knive og skruer sætvis, så balancen opretholdes.
- Kniven på produktet er skarp. Vær forsigtig, og benyt kraftige handsker, når du monterer, udskifter, rengør eller kontrollerer boltsikkerheden.
- Indlevér produktet på et autoriseret servicecenter for at få udskiftet beskadigede eller ulæselige mærkater.
- Tjek ofte alle møtrikker, bolte og skruer om de sidder godt fast og sørg for at græsslåmaskinen fungerer ordentligt.

EN
FR
DE
ES
IT
NL
PT
DA
SV
FI
NO
RU
PL
CS
HU
RO
LV
LT
ET
HR
SL
SK
BG
UK
TR



- Græsopsamleren skal kontrolleres hyppigt for slitage, huller eller svækkelse.
- Udskift slidte eller beskadigede dele, inden produktet tages i brug.
- Produktet skal startes med brugeren placeret bag styrene i operatørens sikkerhedszone. Produktet må aldrig startes, hvis:
 - alle fire hjul ikke hviler på jorden
 - græsudkastet er åbent og ikke beskyttet af græskassen og afskærmningen til græsudkasterafskærmningen
 - alle de tilstedeværendes hænder og fødder ikke er fri af klippebeklædningen.
- Produktet må aldrig benyttes, hvis Tænd/Sluk-kontakten på styret ikke formår at starte og stoppe produktet korrekt.
- Forsøg aldrig at låse Tænd/Sluk-kontakter (ON/OFF) i pos. ON (=tændt; dette er yderst farligt).
- Undlad at tvinge produktet. Produktet klarer opgaven bedre og sikrere med den hastighed, det er beregnet til.
- Stop kniven under passage af grusarealer.
- Undgå at trække produktet baglæns, med mindre dette er absolut nødvendigt. Hvis maskinen skal bakkes bort fra en væg eller forhindring, skal man først se ned og bagud, så man ikke risikerer at snuble eller trække maskinen hen over fødderne.
- Stop motoren, og vent, til klingen er stoppet, hvis maskinen skal vippe i forbindelse med transport hen over arealer forskellig fra græs, og når produktet transporteres til og fra det område, de skal klippes.
- Maskinen må aldrig anvendes med defekte skærme eller skjolde, eller uden påmonteret sikkerhedsudstyr, fx preplader og/eller græssamler.
- Lad være med at vippe produktet ved tænding af motor, eller mens motoren kører. Hvis det er absolut nødvendigt, kan du løfte forenden af græsslåmaskinen maks. 5 cm for at gøre det nemmere at starte den. Tryk håndtaget ned for at gøre dette. Sæt altid græsslåmaskinen tilbage til dens normale position med alle hjul på jorden, før du begynder at slå græsset. Ved at vippe græsslåmaskinen blotlægges klippekniven, hvilket øger sandsynligheden for udslyngning af objekter og utilsigtet kontakt med klippekniven.
- Tænd forsigtigt for motoren i henhold til anvisningerne, og hold hænder og fødder væk fra klippeknivene. Anbring aldrig hænder eller fødder i nærheden af eller under roterende dele.
- Løft eller bær aldrig produktet med kørende motor.
- Stop produktet, fjern sikkerhedsnøglen og batteriet. Kontrollér, at alle bevægelige dele er standset fuldstændigt:
 - når man efterlader produktet uden opsyn (herunder ved bortskaffelse af græsafklip).
 - før du fjerner blokerede genstande eller renser græsudkastet
 - inden kontrol, rengøring eller arbejde på produktet
 - Inden man fjerner græsboksen eller åbner græsudkast-åbningens dæksel
 - efter at man har ramt et fremmedlegeme; inspicér udstyret for skader, og foretag de nødvendige reparationer inden genstart og benyttelse af maskinen.
 - hvis produktet begynder at vibrere unormalt (kontrolleres omgående)
 - eftersyn for skader, især knivene
 - udskift eller reparér alle beskadigede dele
 - kontrollér og efterspænd evt. løse dele
- Undgå huller, riller, buler, sten eller lignende. Ujævnt terræn kan føre til tab af balance og faldulykker.
- Sørg altid for, at motorstyrekablet aldrig sætter sig fast, klemmes eller beskadiges på anden måde under montering eller nedklapning af håndtaget.

YDERLIGERE SIKKERHEDSADVARSLER OM BATTERI

⚠ ADVARSEL

For at undgå risiko for brand, kvæstelser eller beskadigelse af produktet forårsaget af kortslutning må værktøjet, batteripakken eller opladeren ikke nedsænkes i vand. Sørg ligeledes for, at der ikke trænger væske ind i enhederne og batterierne. Korroderende eller ledende væsker, f.eks. saltvand, bestemte kemikalier, blegestoffer eller produkter, som indeholder blegestoffer, kan forårsage kortslutning.

PRODUKTFUNKTIONER

OVERBELASTNING OG OVEROPHEDNING BESKYTTELSE

Produktet har en overbelastningsbeskyttelse. Når der registreres en overbelastning, vil produktet automatisk slukke. Hvis overbelastningsbeskytteren udløses, skal man frigive Tænd/Sluk-knappen. Tryk på Tænd/Sluk-knappen for at genstarte produktet.

Batteripakken har overophedningsbeskyttelse. For høje temperaturer vil bevirke, at batteriet afbryder strømforsyningen til værktøjet. Rør ved batteriet; hvis det er for varmt, skal du lade det køle af, før arbejdet påbegyndes igen. Hvis værktøjet stadig ikke vil starte, skal batteriet genoplades.

BEMÆRK: Batteriets indikator-LED virker ikke, hvis batteribeskyttelsesfunktionen har fået batteriet til at afbryde strømforsyningen til værktøjet. Slip on-off-knappen eller aftag batteriet fra produktet, og batteriets LED-indikator vil fortsætte normal funktion.

GENERELLE TIPS TIL PLÆNEKLIPNING

Batteriets driftstid afhænger af de aktuelle forhold samt græssets længde og tæthed.

Indstil plæneklipperens klippehøjde, så denne svarer til de aktuelle forhold for den plæne, der skal klippes.

Græsforhold	Anbefalet højdeindstilling		Dækningsgrad (max)	
	Første gennemgang	Efterfølgende gennemgange	4 Ah-batteri	5 Ah-batteri
Meget tynd / tør	3	2	200 m ²	250 m ²

Tynd / tør	4	3 → 2	150 m ²	200 m ²
Middel / tæt	5	4 → 3	100 m ²	150 m ²

* *Batteri: RB18L40*

- For bedste ydelse bør man altid klippe en tredjedel eller mindre af græssets totale højde.
- Når langt græs klippes, så gå langsommere frem med græsslåmaskinen, så græsset kan klippes mere effektivt.
- Undgå at klippe vådt græs; dette vil sætte sig fast på undersiden og forhindre opsamling eller udkast af det afklippede græs.
- Nyt eller tykt græs kan nødvendiggøre en højere klippehøjde.
- Hvis du ønsker at opsamle græsafklip, skal du fjerne jordtildækningsstikket og montere græsfangeren og sikre, at græsudledningens dæksel er lukket forsvarligt. Græsboksen skal tømmes med jævne mellemrum, da udkast-åbningen ellers bliver blokeret af det afklippede græs.
- Hvis du foretager en let klipping og ønsker, at græsafklippet skal forblive på plænen, skal du montere jordtildækningsstikket og lukke græsudkastets dæksel til dækning af udløbsåbningen. I dette tilfælde er det ikke nødvendigt at montere græsfangeren.
- Produktet er designet til at fungere og skære mest effektivt, når det bevæges fremad.
- En højere klippehøjde vil forlænge batteriets driftstid.

TRANSPORT OG OPBEVARING

- Stop produktet, fjern sikkerhedsnøglen og batteriet. Kontrollér, at alle bevægelige dele er standset fuldstændigt. Lad produktet køle af inden opbevaring eller transport i et køretøj.
- Afrens alle fremmedlegemer fra produktet. Opbevar den på et køligt, tørt og godt ventileret sted utilgængeligt for børn. Opbevar motorsaven på afstand af ætsende midler som f.eks. havekemikalier og optønings salt. Må ikke opbevares udendørs.
- Fjern sikkerhedsnøglen, og fastgør produktet under transport i et køretøj, så det

ikke kan bevæge sig eller vælte/falde for at forhindre personskader og beskadigelse af produktet.

⚠ ADVARSEL

Vær meget forsigtig, når du løfter eller vipper græsslåmaskinen for vedligeholdelse, rengøring, opbevaring eller transport. Klippekniven er skarp, så hold alle legemesdele væk fra den, når den er blotlagt.

TRANSPORT AF LITHIUM-BATTERIER

Batterier skal transporteres i henhold til lokale og nationale forskrifter og love.

Når batterier skal transporteres af tredjepart, skal alle specielle krav til emballering og mærkning efterleves. Man skal sikre sig, at ingen batterier kan komme i kontakt med andre batterier eller ledende materialer under transporten ved at beskytte blottede konnektorer med isolerende, ikke-ledende hæfter eller tape. Undlad at transportere batterier med revner eller utætheder. Rådfør dig desuden hos speditøren.

VEDLIGEHOJDELSE

⚠ ADVARSEL

Brug kun originale reservedele, ekstraudstyr og tilbehør fra producenten. I modsat fald er der fare for personskader, dårlig maskinydelse og annullering af garantien.

⚠ ADVARSEL

Vedligeholdelse kræver stor omhyggelighed og viden og kun bør udføres af en kvalificeret tekniker. Lad kun en autoriseret serviceværksted servicere produktet. Brug kun originale reservedele fra maskinproducenten i forbindelse med servicearbejde.

- Stop produktet, fjern sikkerhedsnøglen og batteriet. Sørg for, at alle bevægelige dele er fuldstændigt stoppet, før du rengør eller vedligeholder græsslåmaskinen.
- Du kan selv foretage de justeringer og reparationer, som beskrives nedenstående. For andre reparationer eller råd skal man søge assistance på et autoriseret

servicecenter.

- Af sikkerhedshensyn skal slidte eller beskadigede dele udskiftes.
- Tjek ofte græsbeholderen for slitage.
- Produktet skal rengøres med en blød klud efter hver brug. Enhver del, som bliver beskadiget, skal repareres ordentligt eller udskiftes på et autoriseret servicecenter.
- Tjek ofte alle møtrikker, bolte og skruer om de sidder godt fast, og sørg for at produktet fungerer ordentligt.
- Vær forsigtig ved justering af maskinen, så du ikke får fingrene i klemme mellem bevægelige knive og faste maskindele.
- Når man servicerer knivene, skal man være opmærksom på, at de stadig kan bevæge sig, selv om strømmen er afbrudt.
- Kniven på produktet er skarp. Vær forsigtig, og benyt kraftige handsker, når du monterer, udskifter, rengør eller kontrollerer boltsikkerheden.
- Udskift altid slidte eller beskadigede knive og skruer sætvis, så balancen opretholdes.
- Knivboltene skal være tilstrækkeligt spændt. **Se producentens anbefalinger for knivboltens moment, som findes i tabellen over produktspecifikationer i denne vejledning**

AFHJÆLPNING AF TILSTOPNING

- Stop produktet, fjern sikkerhedsnøglen og batteriet. Kontrollér, at alle bevægelige dele er standset fuldstændigt.
- Benyt altid kraftige beskyttelseshandsker, når du kontrollerer og afhjælper en tilstopning.
- Klingerne er skarpe, og selve tilstopningen kan være en skarp genstand.
- Fjern græssamlere, kontrollér og fjern forsigtigt genstande, som sidder fast.
- Kontrollér, om græsudkasterafskærmningen er tilstoppet, og fjern forsigtigt tilstopningen.
- Vend græsslåmaskinen om på siden, kontrollér undersiden og området rundt om klippekniven. Fjern forsigtigt eventuelle tilstopninger. Husk, at kniven kan bevæge sig, når tilstopningen fjernes.

UUNDGÅELIGE RISICI

Selv om produktet anvendes som foreskrevet, er det stadig umuligt at eliminere visse uundgåelige risikofaktorer fuldstændigt. Følgende risici kan opstå under brug, og operatøren bør være særligt opmærksom for at undgå følgende:

- Personskader forårsaget af vibration
 - Brug altid det korrekte værktøj til arbejdsopgaven. Benyt de hertil indrettede håndtag, og sørg for at begrænse arbejds- og eksponeringstiden.
- Personskader forårsaget af støj
 - Eksponering for støj kan medføre høreskader. Benyt høreværn, og begræns eksponering.
- personskade pga. kontakt med knivene
- Personskader forårsaget af udslyngede genstande

RISIKOREDUKTION

Der er rapporteret om, at vibrationer fra håndholdte værktøjer kan være medvirkende til en lidelse kaldet Raynauds syndrom hos visse personer. Symptomerne herpå kan være prikken, følelsesløshed og blegning af fingrene, der normalt viser sig ved kuldepåvirkning. Faktorer som arvelighed, udsættelse for kulde og fugt, kost, rygning og arbejdsvaner menes alle at medvirke til udviklingen af disse symptomer. Der findes forholdsregler, som operatøren kan træffe for at begrænse påvirkningen fra vibrationer:

- Hold kroppen varm i koldt vejr. Brug handsker, så hænder og vriste holdes varme under arbejdet. Der er rapporteret om, at koldt vejr er en væsentlig faktor til Raynauds syndrom.
- Motionér efter hver arbejdsperiode for at øge blodcirkulationen.
- Hold hyppige arbejds pauser. Begræns eksponeringen for vibrationer pr. dag.

Hvis du mærker nogen af symptomerne på denne tilstand, skal du straks ophøre med arbejdet og søge læge.

⚠ ADVARSEL

Længere tids brug af et værktøj kan forårsage - eller forværre - personskader. Når man bruger et værktøj i længere perioder ad gangen, skal man huske at holde hyppige pauser.

KEND PRODUKTET

Se side 193.

Dele

1. Håndtag
2. Tænd/Sluk-knap
3. Start-knap
4. Motorstyrelabel
5. Motorstyrelabel-holder
6. Batteridør
7. Håndtagsknop
8. Indikator for fuld græsboks
9. Græsopsamler
10. Dæksel over græsudledning
11. Håndtagslås
12. Baghjul
13. Højdeindstillingsstang
14. Forhjul
15. Sikkerhedsnøgle
16. Batteri
17. Oplader
18. Bioklip-prop

SYMBOLER PÅ PRODUKTET

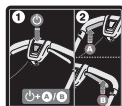
-  Alle vejledninger skal læses og forstås, inden produktet benyttes; følg alle advarsler og sikkerhedsinstrukser.
-  Bær høreværn
-  Benyt øjenværn
-  Kør ikke på hældninger større end 15°. Slå græsset på tværs af bakker, aldrig op og ned.
-  Må ikke udsættes for regn eller bruges på fugtige steder.
-  Pas på skarpe klinger. Knivene fortsætter med at rotere, efter at motoren er slukket - fjern afbrydernøglen inden vedligeholdelsesarbejde



Pas på udslyngede eller flyvende objekter. Sørg for, at tilskuere (især børn og dyr) er mindst 15 m fra arbejdsområdet.



Håndtaget har 3 højdeindstillinger. Sørg for, at rørene er korrekt isat, navnlig ved højeste indstilling. Håndtaget kan glide ud af hullerne, hvis det ikke er korrekt isat og låst.



Tryk først på Start-knappen og dernæst på Tænd/Sluk-knappen (A eller B) for at starte produktet. Slip Start-knappen, og hold Tænd/Sluk-knappen inde for at køre produktet. Slip Tænd/Sluk-knappen for at stoppe produktet.



Start



Stop



Læs venligst vejledningen grundigt igennem før maskinen tages i brug.



Elektriske affaldsprodukter bør ikke afskaffes sammen med husholdningsaffald. Genbrug venligst hvor faciliteterne tillader dette. Tjek med din lokale kommune eller forhandler for genbrugsråd.



Dette redskab overholder alle lovkrav og standarder i det EU-land, hvor det er købt.



EurAsian overensstemmelsesmærke



Ukrainsk overensstemmelsesmærke



Det garanterede lydtryksniveau vist på denne mærkat er 96 dB.

Formålet med nedenstående signalord og betydninger er at tydeliggøre risikoniveauet i forbindelse med produktet:

FARE

Indikerer en meget farlig situation, som hvis ikke undgås, kan føre til alvorlige skader og i værste fald døden.

ADVARSEL

Indikerer en potentielt farlig situation, som hvis ikke undgås, kan føre til alvorlige skader og i værste fald døden.

PAS PÅ

Indikerer en potentielt farlig situation, som hvis ikke undgås, kan føre til mindre eller moderate skader.

PAS PÅ

(Uden sikkerhedssymbol) indikerer en situation som kan føre til skade af personlig ejendom.

SYMBOLER I DENNE BRUGSANVISNING



Dele eller tilbehør, der sælges separat



Bemærk



Advarsel

Säkerhet, prestanda och pålitlighet har varit högsta prioritet vid design av din sladdlösa häcktrimmer.

ANVÄNDNINGSSOMRÅDE

Den sladdlösa gräsklipparen är endast avsedd för användning utomhus.

Denna produkt är avsedd för klippning av villaträdgårdar. Klippkniven bör rotera mer eller mindre parallellt mot den yta som ska klippas. Alla fyra hjul måste vara i marken när du klipper. Detta är en gräsklippare som kontrolleras genom att den skjuts för hand av den gående operatören.

Produkten får inte användas när inte hjulen är på marken. Den skall inte dras eller användas för att åka på. Den får endast användas för att klippa villagrasmattor, inte i något annat syfte.

Får ej användas för annat ändamål.

ALLMÄNNA SÄKERHETSFÖRESKRIFTER

⚠ VARNING

När man använder apparaten måste säkerhetsföreskrifterna följas. För din egen, och andra närvarandes säkerhet, läs alltid dessa instruktioner innan du använder produkten. Förvara instruktionerna på ett säkert ställe för användning vid senare tillfälle.

⚠ VARNING

Använd produkten endast med de batterier som specificeras i denna manual. Vid användning av batteridrivna verktyg ska grundläggande säkerhetsanvisningar alltid följas för att minska risken för brand, läckande batterier och personskador.

PERSONLIG SÄKERHET

- Produkten kan kapa av händer och fötter och slunga ut föremål. Att inte följa alla säkerhetsinstruktioner kan resultera i allvarlig skada eller dödsfall.
- Bekanta dig med reglagen och rätt användning av produkten.
- Se till att barn eller personer med nedsatt fysisk eller psykisk förmåga, eller personer som inte är bekanta med dessa instruktioner, aldrig använder, rengör eller

utför underhåll på produkten. Lokala regler kan åldersbegränsa användningen av gräsklipparen. Barn ska alltid övervakas så att de inte leker med produkten.

- Var på din vakt, håll reda på vad du gör och använd sunt förnuft vid drift av enheten. Använd inte den här enheten när du är trött, sjuk eller under påverkan av alkohol, droger eller mediciner. Ett ögonblicks ouppmärksamhet vid användningen av maskinen kan leda till allvarliga personskador.
- Använd tjocka långbyxor, långa ärmor och stadiga halksäkra skor. Bär inte korta byxor eller sandaler, gå inte heller barfota. Undvik att bära kläder som sitter löst eller som har hängande bälten och slips.
- Bär alltid säkerhetsglasögon med sidoglas.
- Se till att du har ordentligt fotfäste, speciellt i lutningar. Bibehåll ett bra fotfäste och bra balans. Gå. Spring aldrig.
- Använd produkten tvärs lutningar, aldrig upp och ner. Var extremt försiktig när du byter riktning i en sluttning.
- Använd inte produkten vid höjdskillnader, diken, alltför branta lutningar eller kullar. Dåligt fotfäste kan resultera i halkningsolyckor.

ARBETSMILJÖ

- Använd aldrig produkten om personer, särskilt barn, uppehåller sig inom 15 meters radie på grund av faran med föremål som kan komma flygande genom kontakt med kniven.
- Föremål som träffas av gräsklipparbladet kan orsaka allvarlig skada. Inspektera noggrant arbetsområdet där maskinen ska användas och ta bort alla stenar, pinnar, metallföremål, strängar, ben, leksaker eller andra främmande föremål. Observera, trädar eller kablar kan trassla in sig i skärkmekanismen.
- Använd enbart produkten i dagsljus eller i bra elljus.
- Använd inte maskinen i explosiva atmosfärer, till exempel i närheten av brännbara vätskor, brännbara gaser eller damm. Verktyget kan skapa gnistor som kan antända damm och ångor.
- Använd inte maskinen om gräset är blött eller om det regnar.

- Använd inte produkten om det finns risk för blixtnedslag.
- Kom ihåg att användaren är ansvarig för olyckor och faror som uppstår för andra människor och deras egendom.
- Tragiska olyckor kan ske om användaren inte är uppmärksam på om barn är i närheten. Barn är ofta nyfikna på maskinen och gräsklippningen. Anta aldrig att barn kommer att vara kvar där du senast såg dem.
- Håll barn borta från gräsklippningsområdet och under uppsikt av en ansvarig vuxen annan än operatören, var uppmärksam och stäng av produkten om ett barn kommer in i området.
- Var extra försiktig när du närmar dig hörn utan fri sikt, buskar, träd eller andra föremål, inklusive överhängande buskar som kan blockera ditt synfält.

ANVÄNDNING OCH UNDERHÅLL AV BATTERIET

- Se till att läsa, vara införstådd med och alltid följa säkerhetsinstruktionerna som medföljde batteri och laddare. Om inte så kan det leda till elektrisk stöt, eldsvåda eller annan farofyllt situation. Se till att samtliga instruktioner förvaras tillsammans för framtida referens.
- Batteridrivna enheter behöver inte vara inkopplade till ett eluttag för att fungera; de är därför alltid redo att användas. Avlägsna isoleringsnyckeln när du inte använder produkten.
- Plocka bort batteripaketet innan du gör några justeringar, rengör eller tar bort material från enheten.
- Se till att tändningsnyckeln är utdragen innan du sätter i batteripaketet.
- Batteripaketet får endast laddas med den batteriladdare som tillverkaren rekommenderar. Att använda en laddare med ett icke kompatibelt batteripaket utgör en brandrisk. Använd endast batteripaketet med den laddare som listas häri.
- Använd endast batteripaket som är avsedda för just denna maskin. Om du använder några andra batteripaket så kan det leda till brand, elektriska stötar eller personskador.
- **När batteripaketet inte används ska det**

hållas bort från metallföremål som gem, mynt, nycklar, spikar, skruvar och andra små metallföremål som kan kortsluta batteriets kontakter. Kortslutning av batteriets poler kan orsaka gnistor, lågor, eldsvåda eller explosion.

- Placera inte batteriprodukter eller deras batterier i närheten av eld eller värme. Detta ökar risken för explosion och potentiell personskada.
- Försök inte öppna batteripaketet och utsätt det inte för våld. Elektrolyt som läcker ut är korrosivt och kan orsaka ögon- och hudskador. Det kan vara giftigt om det sväljs.
- Skydda batteripaketet mot fukt och vatten. Ladda inte enheten på fuktiga eller våta platser. Följ den här regeln för att minska risken för elstötar.
- Om batteriet är skadat eller används på fel sätt kan ånga komma ut från batteriet. Om besvär uppstår, se till att personen ifråga får frisk luft och uppsök sedan en läkare. Ångorna kan irritera andningssystemet.
- Lämna inte batteriet i något fordon i varmt eller kallt väder.
- Bränn inte batteriet.
- Vätska kan läcka ut från batteripaketet vid felaktig användning; undvik kontakt med vätskan. Spola med vatten om du kommer i kontakt med den. Uppsök omedelbart läkarhjälp om du får vätska i ögonen. Den kan orsaka irritation och brännskador.

SÄKERHETSFÖRESKRIFTER FÖR GRÄSKLIPPARE

- Undersök alltid maskinen visuellt innan du använder den för att försäkra dig om att knivar, knivbultarna och klippanordningen inte är utslitna eller skadade.
- Byt ut utslitna eller skadade knivar och bultar i par för att bibehålla balansen.
- Produktens skärkniv är vass. Var extremt försiktig och använd grova arbetshandskar vid montering, byte eller kontroll av mutter.
- Lämna produkten till auktoriserat servicecenter för utbyte av skadade eller oläsbara etiketter.
- För att vara säker på att maskinen är säker att använda, kontrollera alla muttrar, bultar och skruvar regelbundet för att säkerställa att de är åtdragna ordentligt.



EN
FR
DE
ES
IT
NL
PT
DA
SV
FI
NO
RU
CS
PL
HU
RO
LV
LT
ET
HR
SL
SK
BG
UK
TR

- Kontrollera regelbundet gräsuppsamlaren så den inte är slitna eller det är hål i den.
- Ersätt slitna och skadade delar innan produkten används.
- Produkten måste startas med operatören på plats bakom styret, i operatörens säkerhetszon. Starta aldrig produkten om:
 - alla fyra hjulen inte är på marken
 - gräsutkastet är exponerat och inte skyddas av gräslådan och gräsutkastets lock
 - alla personers händer och fötter inte är borta från skärknivsinkapslingen
- Kör aldrig produkten om inte på/av-kontakten startar resp. stoppar produkten ordentligt.
- Lås aldrig på/av-brytaren i läget ON – det är extremt riskfyllt.
- Tvinga inte produkten. Verktöget fungerar bäst och mest effektivt om du jobbar i den takt som det är avsett för.
- Stoppa kniven när du kör över en grusgång eller liknande.
- Dra inte produkten bakåt såvida det inte är helt nödvändigt. Om du måste backa med maskinen bort från en vägg eller något annat hinder, titta först ner och bakom dig för att förhindra att du snubblar eller kör över dina egna fötter med maskinen.
- Stäng av motorn och låt kniven stoppa helt innan du lutar maskinen för att gå över annat underlag än gräs och vid transport av maskinen till och från det område där den ska användas.
- Använd aldrig maskinen med defekta skydd eller utan säkerhetsanordningar, som utkastare och/eller gräsuppsamlare, på plats.
- Luta inte produkten när du slår på motorn eller medan motorn är igång. Om det är absolut nödvändigt kan du höja den främre delen av gräsklipparen max 5 cm för att möjliggöra enklare start. Tryck ner styret för att uppnå detta. Placera alltid gräsklipparen i dessa normala position med alla fyra hjulen på marken före du klipper. Att luta gräsklipparen exponerar bladet och ökar risken för kastande föremål och oavsiktlig kontakt med bladet.
- Slå på motorn försiktigt enligt anvisningarna och håll händer och fötter borta från bladen.

Placera inte händerna eller fötterna nära eller under roterande delar.

- Lyft aldrig upp och bär produkten när motorn är i gång.
- Stanna produkten, ta bort nyckeln till huvudströmbrytaren och batteriet. Se till att samtliga rörliga delar har stannat helt:
 - när du lämnar produkten utan överinseende (inklusive bortscaffande av gräsklipp).
 - innan du rensar en blockering eller tar bort gräs som fastnat i utkastet
 - före kontroll av, rengöring av eller arbete med produkten
 - innan gräsuppsamlaren tas bort eller före skyddet för gräsutkastet öppnas
 - efter att slagit till främmande föremål; kontrollera produkten så den inte skadats, reparera vid behov före omstart och före användning av produkten.
 - när maskinen börjar vibrera onormalt (kontrollera omedelbart)
 - Inspektera avseende skador, särskilt skärknivarna
 - byt ut eller reparera alla skadade delar
 - kontrollera och sätt fast ev. lösa delar
- Undvik hål, hjulspår, gupp, stenar och andra dolda föremål. Ojämn terräng kan orsaka halkolyckor.
- Kontrollera att motorns kontrollkabel inte är trasslad, klämd eller på annat sätt skadad under montering eller då handtaget viks in.

YTTRELLIGARE SÄKERHETSVARNINGAR FÖR BATTERIER

VARNING

För att undvika den fara för brand, personskador eller produktskador som orsakas av en kortslutning, doppa inte ner verktöget, utbytesbatteriet eller laddaren i vätskor och se till att ingen vätska kan tränga in i apparaterna eller batterierna. Korroderande eller ledande vätskor, som saltvatten, vissa kemikalier, blekningsmedel eller produkter som innehåller blekmedel, kan orsaka en kortslutning.



PRODUKTFUNKTIONER

ÖVERBELASTNING OCH ÖVERHETTNINGSSKYDD

Produkten har ett överlastskydd. När överlast detekteras stängs produkten automatiskt av. Om överbelastningsskyddet löst ut måste strömbrytaren tryckas in. Tryck på strömbrytaren för att starta om produkten.

Batteriet har överbelastningsskydd. Extrema temperaturer får batteriet att stänga av sig automatiskt. Känn på batteriet, om det är för varmt låt det svalna före du återupptar drift. Ladda batteriet om verktyget fortfarande inte fungerar efter det.

NOTERA: Indikatordioden på batteripacket fungerar inte om batteriets skyddsfunktioner har stängts av batteriet automatiskt. Släpp PÅ/AV-knappen eller ta bort batteriet från produkten, därefter kommer LED-indikatorlampan för batteriet återuppta normal funktion.

ALLMÄNNA GRÄSKLIPPNINGSTIPS

Körtiden för batteriet beror på skick, längd och täthet för gräset.

Ställ in klipphöjden så att den passar det aktuella skicket på gräset som ska klippas.

Gräsvarianter	Förslag på klipp höjd		Täckning (max)	
	Första klippning	Följande klippningar	4 A batteri	4 A batteri
Mycket tunt/Torrt	3	2	200 m ²	250 m ²
Tunt/Torrt	4	3 → 2	150 m ²	200 m ²
Medium/Tätt	5	4 → 3	100 m ²	150 m ²

* Batteri: RB18L40

- För bästa resultat ska inte mer än en tredjedel av grässets total längd klippas.
- Minska gånghastigheten vid klippning av långt gräs för att öka klippningsprestandan och för att få ordentligt utkast av gräset.
- Klipp inte vått gräs – det fastnar på klipparens undersida och förhindrar uppsamling eller utkast av klippt gräs.
- Nytt eller tjockt gräs kan kräva att man använder en högre klipp höjd.
- Om du önskar att samla in det

beskärda gräset för avfallshantering, ta bort marktäckningspluggen och fäst gräsupsamlaren så att gräsutkastets lock är korrekt stängt. Töm gräsbehållaren regelbundet, annars kan gräsutkastret blockeras med gräsklipp.

- Om du utför en mindre klippning och önskar att det beskärda gräset förblir på gräsmattan, fäst marktäckningspluggen och stäng gräsutkastets lock för att täcka urladdningsöppningen. I sådant fall är det inte nödvändigt att fästa gräsupsamlaren.
- Produkten är avsedd att fungera och klippa mest effektivt vid framåtrörelse.
- Högre klipp höjd ökar batteriets drifttid.

TRANSPORT OCH FÖRVARING

- Stanna produkten, ta bort nyckeln till huvudströmbrytaren och batteriet. Se till att samtliga rörliga delar har stannat helt. Låt produkten svalna före du förvarar eller transporterar den i ett fordon.
- Ta bort allt främmande material från produkten. Förvara den svalt och välventilerat på en plats där barn inte kan komma åt den. Förvara på avstånd från frätande medel, t.ex. trädgårdskemikalier och vägsalt. Förvara den inte utomhus.
- För transport i fordon, ta bort nyckeln till huvudströmbrytaren och säkra produkten mot rörelse eller fall för att förhindra person- och materialskador eller skada på produkten.

⚠ VARNING

Var extremt försiktig när du lyfter eller lutar produkten vid underhåll, rengöring eller transport, bladet är skarpt, håll alla kroppsdelar borta från bladet när det är exponerat.

TRANSPORTERA LITIUMBATTERIER

Transportera batterier enligt lokala och nationella riktlinjer och regleringar.

Följ alla särskilda krav på förpackning och etikettering vid transport av batterier som utförs av tredje part. Se till att inga batterier kan komma i kontakt med andra batterier eller ledande material under transporten genom att skydda exponerade kontaktytor med isolerande, icke ledande överdrag eller

tejp. Transportera aldrig batterier som har spruckit eller som läcker. Kontrollera med det transporterande företaget för vidare rådgivning.

UNDERHÅLL

⚠ VARNING

Använd enbart ersättningsdelar och tillbehör från tillverkaren. Om inte kan det eventuellt orsaka skador, sämre resultat och kan upphäva garantin.

⚠ VARNING

Att serva produkten kräver extrem försiktighet och kunskap och bör endast utföras av en kvalificerad servicetekniker. Produkten får endast repareras på ett auktoriserat servicecenter. Under servicearbete ska enbart tillverkarens originaltillbehör användas.

- Stanna produkten, ta bort nyckeln till huvudströmbrytaren och batteriet. Säkerställ att alla rörliga delar har stannat helt före eventuell rengöring eller eventuellt underhåll.
- Du kan göra de justeringar och reparationer som beskrivs här. För andra reparationer eller för råd ska du alltid vända till auktoriserat servicecenter.
- Byt ut slitna eller skadade delar för bästa säkerhet.
- Kontrollera gräsuppsamlaren regelbundet för slitage och nedbrytning.
- Efter rengöring ska maskinen alltid rengöras med en mjuk torr trasa. Skadade delar skall repareras ordentligt eller bytas ut av en auktoriserad servicefirma.
- För att vara säker på att produkten är säker att använda, kontrollera alla muttrar, bultar och skruvar regelbundet för att säkerställa att de är åtdragna ordentligt.
- Var noga vid inställning av maskinen med att förhindra att fingrarna fastnar mellan rörliga och fasta delar på maskinen.
- Vid underhåll eller service av bladen ska du vara medveten om att trots att elförsörjningen är avbruten kan bladet/ bladen röra sig.
- Produktens skärkniv är vass. Var extremt

försiktig och använd grova arbetshandskar vid montering, byte eller kontroll av mutter.

- Byt ut utslitna eller skadade knivar och bultar i par för att bibehålla balansen.
- Bladbultarna måste vara tillräckligt åtdragna. **Se tillverkarens anvisningar för rekommendationer om bladbultarnas vridmoment som du hittar under tabellen produktspecifikation i denna manual.**

RENSA BLOCKERADE RÖR

- Stanna produkten, ta bort nyckeln till huvudströmbrytaren och batteriet. Se till att samtliga rörliga delar har stannat helt.
- Använd alltid grova arbetshandskar vid kontroll av och rensning av blockering.
- Bladen är vassa och själva blockeringen kan vara ett vasst föremål.
- Ta bort gräsuppsamlaren, kontrollera och ta försiktigt bort blockeringar.
- Kontrollera gräsutkastet efter blockeringar och rengör försiktigt.
- Ställ produkten på dess sida, kontrollera undersidan och området runt bladet. Om eventuella blockeringar upptäcks, ta bort försiktigt. Kom ihåg att bladet kan röra sig under rengöring.

KVARSTÅENDE RISKER

Även om produkten används enligt instruktionerna går det inte att eliminera alla eventuella riskfaktorer. Följande risker kan uppstå vid användning och operatören ska vara extra uppmärksam för att undvika följande:

- Skada orsakad av vibration
 - Använd alltid rätt verktyg för jobbet. Håll ordentligt i handtagen och begränsa arbetstid och exponering.
- Skador orsakade av damm
 - Exponering för buller kan orsaka hörselskador. Använd hörselskydd och begränsa exponeringen.
- Skada från kontakt med skärkniven
- Olycksfall orsakade av utkastade föremål

RISKMINSKNING

Det finns rapporter om att vibrationer från handhållna verktyg kan bidra till ett tillstånd som kallas Raynauds syndrom för vissa

personer. Symptomen brukar vara att det sticker i fingrarna och att de domnar bort; fingrarna kan också bli vita, särskilt vid kyla. Årftliga faktorer, kyla och fukt, diet, rökning och arbetsrutiner tros alla bidra till att orsaka dessa symptom. Det finns förebyggande åtgärder som du kan vidta för att försöka minska vibrationernas påverkan:

- Håll dig varm när du arbetar i kallt väder. Använd handskar för att hålla händer och handleder varma under användning. Kyla har rapporterats som en viktig del i utvecklandet av Raynauds syndrom.
- Träna och rör på dig efter varje användningstillfälle för att öka blodcirkulationen.
- Ta ofta pauser från arbetet. Begränsa tiden du utsätter dig varje dag.

Upphör omedelbart om du upplever några av dessa symptom och uppsök din läkare.

VARNING

Risk för person- eller slitageskador vid användning av verktyget under lång tid. Om verktyget används under längre perioder krävs regelbundna pauser.

LÄR KÄNNA PRODUKTEN

Se sida 193.

Delar

1. Handtag
2. På/Av-knapp
3. Startknapp
4. Motorkontrollkabel
5. Hållare för motorkontrollkabel
6. Batterilucka
7. Handtagsvred
8. Gräsupsamlingslådan full-indikator
9. Gräsupsamlare
10. Gäsutkastets lock
11. Låshandtag
12. Bakhjul
13. Höjdjusteringsspak
14. Framhjul
15. Tändningsnyckel
16. Batteri
17. Batteriladdare
18. Komposteringsplugg

SYMBOLER PÅ PRODUKTEN



Läs igenom och var införstådd med alla instruktioner före användning av produkten, var uppmärksam på alla varningar och säkerhetsinstruktioner.



Använd hörselskydd



Bär ögonskydd



Använd inte i sluttningar som är brantare än 15°. Klipp längst med sluttningar, aldrig uppåt eller nedåt.



Utsätt inte för regn eller våta omgivning.



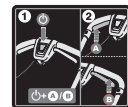
Var försiktig med vassa blad. Kniven fortsätter rotera efter att motorn har stängts av - avlägsna isolatornyckeln innan du vidtar underhållsarbeten



Se upp med kringkastade eller flygande föremål. Håll alla åskådare, barn och husdjur på minst 15 meters avstånd från arbetsområdet.



Handtaget har 3 nivåer av höjdjustering. Kontrollera för att säkerställa att rören är korrekt isatta särskilt vid högsta nivå. Handtaget kan glida ut ur hålen om det inte är korrekt isatt och låst.



Tryck på Start och sedan på På/Av-knappen (A eller B) för att starta produkten. Släpp Start-knappen och fortsätt hålla in På/Av-knappen för att använda produkten. Släpp upp knappen På/Av för att stänga av produkten.



Kör



Stanna



Läs instruktionerna ordentligt innan start av maskinen.



Notera



Gamla elektroniska produkter ska inte kastas med hushållssoporna. Återvinn där sådana faciliteter finns. Kontrollera med din lokala myndighet eller säljaren för att få återvinningstips.



Varning



Detta verktyg uppfyller alla standarder i de EU-länder där det kan köpas.



EurAsian överensstämmelsesymbol



Ukrainskt märke för överensstämmelse



Den garanterade ljudnivån som visas på denna etikett är 96 dB.

- EN
- FR
- DE
- ES
- IT
- NL
- PT
- DA
- SV**
- FI
- NO
- RU
- PL
- CS
- HU
- RO
- LV
- LT
- ET
- HR
- SL
- SK
- BG
- UK
- TR

Följande signalord och betydelser är avsedda att beskriva risknivåer associerade med produkten:

⚠ FARA

Indikerar en överhängande farlig situation som kan, om den inte undviks, resultera i dödsfall eller allvarlig skada.

⚠ VARNING

Indikerar en potentiellt farlig situation som kan, om den inte undviks, resultera i dödsfall eller allvarlig skada.

⚠ PÅMINNELSE

Indikerar en potentiellt farlig situation som kan, om den inte undviks, resultera i mindre eller medelstora skador.

PÅMINNELSE

(Utan säkerhetssymbolen) Indikerar en situation som kan leda till egendomsskada.

SYMBOLER I MANUALEN



Delar och utrustning säljs separat

Johdoton ruohonleikkuri suunnittelussa on pidetty etusijalla turvallisuutta, suorituskykyä ja luotettavuutta.

KÄYTTÖTARKOITUS

Johdoton ruohonleikkuri on tarkoitettu vain ulkokäyttöön.

Tämä tuote on tarkoitettu kotinurmikon leikkuuseen. Leikkuuterän on pyörittävä suunnilleen sen alla olevan maanpinnan suuntaisesti. Jokaisen neljän pyörän tulee koskettaa maata ruohoa leikattaessa. Se on kävellen käytettävä ruohonleikkuri, jota työnnettään takaa käsin.

Tuotetta ei saa koskaan käyttää sen pyörien ollessa irti maasta. Sitä ei saa vetää, eikä sen päällä saa ratsastaa. Sitä ei tule käyttämään minkään muun kuin kodin nurmikon leikkaamiseen.

Älä käytä muihin tarkoituksiin.

YLEISET TURVALLISUUSVAROITUKSET

▲ VAROITUS

Noudata turvallisuussääntöjä tuotetta käyttäessäsi. Oman ja sivullisten turvallisuuden vuoksi, lue nämä ohjeet ennen tuotteen käynnistämistä. Säilytä ohjeet tulevaa käyttöä varten.

▲ VAROITUS

Käytä tuotetta vain tässä oppaassa mainittujen akkujen kanssa. Akkukäyttöistä laitetta käytettäessä on aina ryhdyttävä perusvarotoimiin tulipalon, akkuvuodon ja loukkaantumisen välttämiseksi.

KÄYTTÄJÄN TURVALLISUUS

- Laitte on riittävän voimakas leikkaamaan raajat ja sinkoamaan esineitä. Turvaohjeiden laiminlyönti voi aiheuttaa vakavia ruumiinvammoja tai kuoleman.
- Tutustu ohjaimiin ja tuotteen asianmukaiseen käyttöön.
- Älä koskaan salli lasten tai ihmisten, joiden fyysiset tai henkiset kyvyt tai aistit ovat heikentyneet, tai näitä ohjeita tuntemattomien käyttää, puhdistaa tai huoltaa tuotetta. Paikalliset säädökset saattavat asettaa rajoituksia käyttäjän

älle. Lapsia on pidettävä asianmukaisesti silmällä, jotta he eivät pääse leikkimään tuotteella.

- Ole valpas, katso mitä teet ja käytä tervettä järkeä, kun käytät tuotetta. Älä käytä tätä laitetta väsyneenä, sairaana tai huumeiden, alkoholin tai lääkkeiden vaikutuksen alaisena. Tarkkaamattomuus laitetta käytettäessä saattaa johtaa vakavaan loukkaantumiseen.
- Käytä kestäviä pitkiä housuja, pitkähihaista yläosaa ja vankkoja luistamattomia jalkineita. Älä käytä sortseja ja sandaaleja tai kulje avojaloin. Älä käytä löysiä vaatteita tai vaatteita, joista riippuu nuoria tai siteitä.
- Käytä aina sivusuojilla varustettuja suojalaseja.
- Seiso aina tukevasti, erityisesti rinteissä. Pidä vakaa tasapaino. Kävele, älä koskaan juokse.
- Käytä tuotetta rinteessä poikittain, ei ylös ja alas. Ole erityisen varovainen vaihtaessasi suuntaa rinteessä.
- Älä käytä tuotetta jyrkenteiden, oijen, hyvin jyrkkien rinteiden tai töyräiden lähellä. Jos saatta huonon jalansijan, voit liukastua, kaatua ja loukkaantua.

TYÖYMPÄRISTÖ

- Älä koskaan käytä tuotetta, kun ihmisiä, erityisesti lapsia, tai lemmikkejä on 15 metrin etäisyydellä tuotteesta, koska terää koskettavat kappaleet saattavat sinkoutua ilmaan.
- Osat, kuten ruohonleikkurin terä, voivat aiheuttaa vakavia vammoja. Tarkista huolella alue, jolla laitetta käytetään, ja poista kaikki kivet, tikut, metallikappaleet, johdot, luut, lelut ja muut vierasesineet. Muista, että siima tai lanka voi sotkeutua leikkuuosaan.
- Käytä tuotetta ainoastaan päivänvalossa tai hyvässä keinovalossa.
- Älä käytä laitetta räjähdysalttiissa paikoissa, kuten helposti syttyvien nesteiden tai kaasujen tai pölyn läheisyydessä. Työkalu saattaa kipinöidä, mikä saattaa sytyttää pölyn tai höyryt.
- Älä käytä laitetta märässä ruohossa tai sateessa.
- Älä käytä tuotetta paikassa, jossa on salamaniskun vaara.

- Muista, että ruohonleikkurin käyttö on vastuunalainen vahingoista ja vaaroista, jotka hän aiheuttaa muille ihmisille ja heidän omaisuuksilleen.
- Traagisia onnettomuuksia voi sattua, jos käyttäjä ei huomioi lasten paikallaoloa. Lapset ovat usein kiinnosuneita ruohonleikkurista ja ruohon leikkaamisesta. Älä koskaan oletta, että lapset ovat edelleen siellä, missä näit heidät viimeksi.
- Pidä lapset poissa leikkuualueelta ja vastuullisen aikuisen - joka on muu kuin koneenkäyttäjä - valvovan silmän alla, ole valppaana ja katkaise laitteesta virta, jos lapsi tulee alueelle.
- Noudata erityistä varovaisuutta lähellä sokeita kulmia, pensaita, puita ja muita kohteita, kuten riippuvia pensaita, jotka voivat estää näkyvyyttä.

AKKUKÄYTTÖISEN TYÖKALUN KÄYTTÖ JA HOITO

- Lue ja ymmärrä akun ja laturin mukana tulleet turvallisuusohjeet ja noudata niitä aina. Tämän laiminlyönti voi aiheuttaa sähköiskun, tulipalon tai muun vaaratilanteen. Pidä kaikki ohjeet yhdessä ja turvallisuudessa paikassa tulevaa käyttöä varten.
- Akkukäyttöisiä työkaluja ei tarvitse kytkeä pistorasiaan, joten ne ovat aina käyttövalmiita. Irrota virta-avain aina, kun et käytä tuotetta.
- Irrota akku ennen säätöjä, puhdistusta ja materiaalin irrottamista laitteesta.
- Varmista ennen akun asentamista, että virta-avain on irrotettu.
- Akun lataukseen saa käyttää ainoastaan valmistajan mainitsemaa laturia. Laturin käyttö yhteensopimattoman akun kanssa voi aiheuttaa tulipalon vaaran. Käytä ainoastaan ohjeissa mainittua akkulaturia.
- Käytä vain erityisesti laitteelle tarkoitettua akkua. Muiden akkujen käyttö voi johtaa tulipaloon, sähköiskuun tai loukkaantumiseen.
- **Kun akkua ei käytetä, pidä se erillään metalliesineistä, kuten paperiliittimistä, kolikoista, avaimista, nauoista, ruuveista ja muista pienistä metalliesineistä, jotka voivat yhdistää akun navat.** Akun napojen oikosulkeminen voi aiheuttaa kipinäntiä, palovammoja,

tulipalon tai räjähdysten.

- Älä aseta akkukäyttöisiä tuotteita tai niiden akkuja lähelle tulta tai lämmönlähdettä. Tämä lisää räjähdysten ja loukkaantumisen vaaraa.
- Älä avaa tai vioita akkua. Vapautunut elektrolyytti on syövyttävää ja voi vioittaa silmiä tai ihoa. Se voi olla myrkyllistä nieltynä.
- Suojele akkua kosteudelta ja vedeltä. Älä lataa yksikköä kosteassa tai märässä ympäristössä. Tämän ohjeen noudattaminen pienentää sähköiskun vaaraa.
- Jos akku vioittuu tai sitä käytetään virheellisesti, siitä saattaa vapautua huujuja. Hakeudu tällöin raikkaaseen ilmaan ja oireiden tapauksessa lääkäriin. Huurut voivat ärsyttää hengitystiehyteitä.
- Älä jätä akkua ajoneuvoon kuumiin tai kylmiin oloihin.
- Älä sytytä akkua tuleen.
- Jos akkua käsitellään väärin, siitä voi vuotaa nestettä; älä kosketa sitä. Jos kosketat sitä vahingossa, huuhtelee se vedellä. Jos nestettä pääsee silmiin, hakeudu lisäksi lääkärin hoitoon. Akusta vuotanut neste voi ärsyttää ihoa ja aiheuttaa palovammoja.

RUOHONLEIKKURIN

- Tarkista laite aina ennen käyttöä silmämääräisesti terien, terän pulttien ja leikkuuosan kulumisen ja vaurioiden varalta.
- Vaihda kuluneet tai vioittuneet terät ja pultit sarjoina säilyttääksesi tasapainon.
- Tuotteen terä on terävä. Ole varovainen ja käytä paksuja käsineitä asettaessasi pulttia paikoilleen ja asentaessasi tai puhdistaussasi sitä ja tarkistaessasi sen kireyttä.
- Vie tuote valtuutettuun huoltoon vaurioituneiden ja lukukelvottomien kylltien vaihtamiseksi.
- Varmista aina, että ruuvit ja mutterit ovat tiukasti kiinni, jotta leikkuri olisi aina turvallinen ja käyttövalmis.
- Tarkista ruohonkeräin säännöllisesti kulumisen, reikien ja rappeutumisen varalta.



- Vaihda kuluneet ja vioittuneet osat ennen tuotteen käyttöä.
- Tuote on käynnistettävä käyttäjän ollessa kahvojen takana suoja-alueella. Älä koskaan käynnistä tuotetta, jos
 - kaikki neljä pyörää eivät ole maassa
 - Ruohon poistokouru on avoin, eikä sitä ole suojattu ruoholaatikolla tai suojakannella
 - kädet ja jalat ovat poissa leikkuukotelosta
- Älä koskaan käytä tuotetta, jos ohjaustangon virtakytkin ei käynnistä tai sammuta tuotetta asianmukaisesti.
- Älä koskaan yritä lukita virtakytkimiä ON-asentoon; tämä on erittäin vaarallista.
- Älä pakota tuotetta. Se hoitaa työt paremmin ja turvallisemmin sillä vauhdilla, jota varten se on suunniteltu.
- Pysäytä terä, kun ylität sorapintoja.
- Älä vedä tuotetta takaperin ellei se ole täysin välttämätöntä. Jos laitetta on peruutettava seinän tai esteen luota, katso ensin alas ja taaksesi, jotta et kompastu tai vedä laitetta jaloillesi.
- Pysäytä moottori ja anna terän pysähtyä, jos ruohonleikkuria on kallistettava ylitettäessä muita kuin ruohopintoja tai ennen kuin kuljetat laitetta leikkausalueelle tai sieltä takaisin.
- Älä koskaan käytä laitetta, jos suojat tai suojukset ovat epäkunnossa tai ilman suojalaitteita, kuten ohjauslevyjä ja/tai ruohonkerääjää.
- Älä kallista konetta, kun käynnistät moottoria, tai moottorin käydessä. Jos aivan välttämätöntä, voit kohottaa ruohonleikkurin etuosaa korkeintaan 5 cm käynnistämisen helpottamiseksi. Nosto tapahtuu painamalla alas kahvatangosta. Palauta aina ruohonleikkurin normaaliin ajoasentoon, kaikki pyörät maassa, ennen kuin alat leikata. Ruohonleikkurin kallistaminen paljastaa terän ja lisää riskiä, että jotain voi singota ja terän kanssa kosketuksiin joutumista.
- Käynnistä moottori huolellisesti ohjeiden mukaan ja pidä kädet ja jalat kaukana teristä. Älä laita käsiä tai jalkoja lähelle pyöriä osia tai niiden alle.
- Älä koskaan nosta tai kanna tuotetta moottorin käydessä.
- Pysäytä laite, poista eristimen avain ja akku. Varmista, että kaikki liikkuvat osat ovat pysähtyneet täysin:
 - aina kun jätät tuotteen valvomatta (mukaan lukien ruoholeikkeiden hävittäminen)
 - Ennen tukoksen poistamista tai poistokourun puhdistusta
 - ennen tuotteen tarkastusta, puhdistusta ja huoltoa
 - ennen ruoholaatikon irrottamista tai ruohonpoistokourun suojuksen avaamista
 - törmättyäsi vieraaseen esineeseen; tarkista laite vaurioiden varalta ja suorita tarpeelliset korjaukset ennen laitteen käynnistämistä ja käyttöä
 - Jos tuote alkaa tärinästä epänormaalisti (tarkista välittömästi)
 - tarkista laitteen, erityisesti terät, vaurioiden varalta
 - vaihda tai korjaa kaikki vioittuneet osat
 - tarkista, onko jokin osa löysällä, ja kiristä tarvittaessa
- Vältä koloja, uria, möykkyjä, kiviä ja muita piilossa olevia esteitä. Epätasaisessa maastossa voit liukastua, kaatua ja loukkaantua.
- Varmista aina, että moottorin ohjauskaapeli ei koskaan juutu, joudu puristuksiin tai muutoin vioitu kokoamisen aikana tai kahvaa taiteltaessa.

LISÄÄ AKUN TURVALLISUUSVAROITUKSIA

⚠ VAROITUS

Jotta vältetään lyhytsulun aiheuttama tulipalon, loukkaantumisen tai tuotteen vahingoittumisen vaara, älä koskaan upota työkalua, vaihtoakkaa tai latauslaitetta nesteeseen ja huolehdi siitä, ettei mitään nesteitä pääse tunkeutumaan laitteiden tai akkujen sisään. Syövyttävät tai sähköä johtavat nesteet, kuten suolavesi, tietyt kemikaalit ja lalkaisuaineet tai valkaisuaineita sisältävät tuotteet voivat aiheuttaa lyhytsulun.



TUOTTEEN OMINAISUUDET

YLIKUORMITUS JA YLIKUUMENEMISSUOJA

Tuotteessa on ylivirtasuoja. Kun ylikuormitusta havaitaan, laite kytkeytyy automaattisesti pois päältä. Jos ylikuormitussuojaus kytkeytyy, virtapainike on vapautettava. Käynnistä tuote uudelleen painamalla virtapainiketta.

Akussa on ylikuumenemissuojaus. Liian kuuma lämpötila saa akun lakkaamaan antamasta virtaa. Tunnustele akku; jos se on liian lämmin, anna sen jäähtyä ennen kuin käytät taas laitetta. Jos laite ei silloinkaan toimi, lataa akku.

HUOMAUTUS: Akun merkkivalo ei toimi, jos akun suojaominaisuus on saanut akun lakkaamaan antamasta laitteelle virtaa. Vapauta käynnistuspainike tai poista akku laitteesta, jolloin akun LED-valon toiminta palaa normaaliksi.

YLEISIÄ RUOHONLEIKKUUVINKKEJÄ

Akun kesto riippuu ruohon kunnosta, pituudesta ja paksuudesta.

Säädi ruohonleikkurin leikkuukorkeus leikkattavan nurmikon kunnan mukaan.

Ruoho-olosuhteet	Suositeltu korkeussäätö		Katealue (max.)	
	Ensimmäinen leikkuukerta	Seuraavat leikkuukerrat	4 Ah:n akku	5 Ah:n akku
Hyvin ohut/kuiva	3	2	200 m ²	250 m ²
Ohut/kuiva	4	3 → 2	150 m ²	200 m ²
Keskipaksu/tiheä	5	4 → 3	100 m ²	150 m ²

* Akku: RB18L40

- Paras suorituskyky saadaan lyhentämällä ruohoa aina enintään kolmasosalla.
- Pitkää ruohoa leikatessasi, kulje hitaammin ja tehosta näin leikkuuta ja ruohon poistumista leikkurista.
- Älä leikkaa märkää nurmikkoa; se tarttuu laitteen alapintaan ja estää ruohon keräystä ja poistoa.
- Uusi tai paksu ruoho voi edellyttää suurempaa leikkuukorkeutta.
- Jos haluat kerätä ruohosilpun hävittämistä varten, poista murskaintulppa ja kiinnitä

kerääjä paikalleen, ja varmista, että ruohosilpun poistosuppilon suojakansi on suljettu hyvin. Tyhjä keruulaatikko säännöllisesti, tai poistokuilu tukkeutuu leikkuujätteestä.

- Jos teet vain kevyen leikkua ja haluat leikkuusilpun jäävän nurmikolle, kiinnitä murskaintulppa paikalleen ja sulje ruohonpoistosuppilon kansi peittämään ruohonpoistoaukko. Ruohonkokoajaa ei nyt tarvitse laittaa paikalleen.
- Laite on suunniteltu toimimaan ja leikkaamaan tehokkaimmin eteenpäin liikuttaessa.
- Korkeampi leikkuukorkeus pidentää akun kesto.

KULJETUS JA VARASTOITAESSA

- Pysäytä laite, poista eristimen avain ja akku. Varmista, että kaikki liikkuvat osat ovat pysähtyneet täysin. Anna laitteen jäähtyä kunnolla, ennen kuin siirät sen säilytykseen tai kuljetat sitä ajoneuvossa.
- Puhdista laitteesta kaikki vieraat materiaalit. Varastoi laite viileään, kuivaan ja hyvin tuuletettuun paikkaan, jossa lapset eivät pääse siihen käsiksi. Pidä poissa syövyttäviltä aineilta kuten puutarhakemikaaleilta ja jäansulatussuolalta. Älä säilytä ulkona.
- Kun kuljetat laitetta ajoneuvossa, poista eristimen avain ja kiinnitä laite huolella liikehännän tai putoamisen estämiseksi, jotta voidaan välttää henkilö- tai laitevahingoilta.

VAROITUS

Noudata erityistä varovaisuutta, kun nostat tai kallistat laitetta huoltoon, puhdistusta, säilytystä tai kuljetusta varten; terä on terävä, pidä kehon osat kaukana terästä kun se on näkyvillä.

LITIUMAKKIJEN KULJETTAMINEN

Kuljeta akkuja paikallisten ja kansallisten ehtojen ja säädösten mukaisesti.

Noudata kaikkia pakkaamista ja nimeämistä koskevia erikoissäädöksiä, kun kolmas osapuoli kuljettaa akkuja. Varmista, että mikään akku ei kosketa muita akkuja tai johtavaa materiaalia kuljetuksen aikana

suojaamalla paljaat navat eristävillä, johtamattomilla korkeilla tai teipillä. Älä kuljeta akkuja, jotka ovat halkeilleet tai vuotavat. Kysy välitysyrietykseltä lisäneuvoja.

HUOLTO

▲ VAROITUS

Käytä ainoastaan alkuperäisiä valmistajan tuottamia varaosia, lisälaitteita ja lisävarusteita. Tämän noudattamatta jättäminen voi johtaa loukkaantumiseen ja huonoon tulokseen ja voi mitätöidä takuun.

▲ VAROITUS

Huolto kaipaa suurta huolellisuutta ja hyvää työkalun tuntemusta: Se on annettava pätevän teknikon tehtäväksi. Huollata saha ainoastaan valtuutetussa huoltoliikkeessä. Käytä huollossa ainoastaan alkuperäisiä valmistajan tuottamia varaosia.

- Pysäytä laite, poista eristimen avain ja akku. Varmista, että laitteen kaikki liikkuvat osat ovat pysähtyneet täysin, ennen kuin alat puhdistaa tai huoltaa sitä.
- Tässä kuvatut säädöt ja korjaukset voidaan usein hoitaa itse. Pyydä apua valtuutetusta huollosta muiden korjaus- tai neuvontatarpeiden tapauksessa.
- Vaihda kuluneet ja vahingoittuneet osat turvallisuussyistä.
- Tarkasta usaein ruohon keräyssäkin tila ja mahdollinen kuluminen ja vaurioituminen.
- Puhdista tuote aina käytön jälkeen pehmeällä ja kuivalla liinalla. Valtuutetun huoltopisteen on korjattava tai vaihdettava vioittuneet osat asianmukaisesti.
- Varmista aina, että ruuvit ja mutterit ovat tiukasti kiinni, jotta tuote olisi aina turvallinen ja käyttövalmis.
- Varo laitetta säätäessäsi, että sormet eivät jää liikkuvien terien ja laitteen kiinteiden osien väliin.
- Kun huollat terää, pidä mielessä, että vaikka pistoke on irrotettu pistorasiasta, terät voivat yhä pyöriä.
- Tuotteen terä on terävä. Ole varovainen ja käytä paksuja käsineitä asettaessasi pulttia paikoilleen ja asentaessasi tai puhdistaessasi sitä ja tarkistaessasi sen

kireyttä.

- Vaihda kuluneet tai vioittuneet terät ja pultit sarjoina säilyttääksesi tasapainon.
- Terän pultteja on kiristettävä riittävästi. **Katso valmistajan suositukset terän pultin kiristysmomentiksi; ne löytyvät tämän oppaan tuotetietotaulukosta.**

TUKOKSEN POISTAMINEN

- Pysäytä laite, poista eristimen avain ja akku. Varmista, että kaikki liikkuvat osat ovat pysähtyneet täysin.
- Käytä aina paksuja suojakäsineitä etsiessäsi ja poistaessasi tukosta.
- Terät ovat terävät ja tukos itsessään voi olla terävä esine.
- Irrota ruohonkerääjä, tarkasta tukosten varalta ja poista tukokset varovasti.
- Tarkasta ruohon poistokouru ja poista tukokset varovasti.
- Käännä laite kyljelleen, tarkasta sen pohja ja terää ympäröivä alue. Jos näet tukoksia, poista ne varovasti. Muista, että terä saattaa liikkua puhdistuksen aikana.

KÄYTTÖÖN LIITTYVÄT RISKIT

Vaikka tuotetta käytettäisiin ohjeiden mukaisesti, ei ole mahdollista täysin eliminoida tiettyjä käyttöön liittyviä riskitekijöitä. Käytössä voi aiheutua seuraavia vaaroja, ja käyttäjän tulee kiinnittää erityistä huomiota niiden välttämiseen:

- Tärinän aiheuttama vamma
 - Käytä aina työhön oikeaa työkalua. Käytä nimettyjä kahvoja ja rajoita työaikaa sekä altistumista.
- Melun aiheuttama vamma
 - Liian kova melu voi aiheuttaa kuulovamman. Käytä suojalaseja ja rajoita altistumista.
- leikkuuterää koskettamisesta aiheutuva vamma
- Heitettyjen esineiden aiheuttama vahinko

RISKIEN VÄHENTÄMINEN

Raporttien mukaan käsikäyttöisten laitteiden tärinä voi joidenkin kohdalla myötävaikuttaa Raynaud's Syndromen (Raynaudin oireen) ilmenemiseen. Oireita ovat pistely, turtuus ja sormien kalpeneminen, yleensä kylmässä

ilmassa. Perinnölliset tekijät, kylmyys ja kosteus, ruokavalio, tupakointi sekä työtavat voivat kaikki myötävaikuttaa näiden oireiden ilmenemiseen. Käyttäjä voi ehkäistä tärinän aiheuttamia vaikutuksia seuraavasti:

- Pidä itsesi lämpimänä kylmällä säällä. Käytä tuotteen käytön aikana käsineitä, jotta kätesi ja ranteesi pysyvät lämpöisinä. Raporttien mukaan kylmä ilma on tärkeä tekijä Raynaud's Syndromen (Raunaudin oireiden) ilmenemisessä.
- Harjoita kunkin käyttöjakson jälkeen liikuntaa, jotta verenkierto lisääntyy.
- Pidä työn aikana säännöllisesti taukoja. Rajoita päivittäisen tärinän määrää.

Jos mitään yllä mainittuja oireita ilmenee, lopeta heti laitteen käyttö ja kerro oireista lääkärille.

VAROITUS

Laitteen pitkittynyt käyttö voi aiheuttaa tai vaikeuttaa vammoja. Kun käytät mitä tahansa laitetta pitkiä aikoja, muista pitää säännöllisiä taukoja.

TUNNE TUOTTEESI

Katso sivu 193.

Osat

1. Kädensija
2. Virtapainike
3. Käynnistyspainike
4. Moottorin ohjauskaapeli
5. Moottorin hallintakaapelin kiinnike
6. Akkutilan kansi
7. Kahvan nuppi
8. Keruulaatikon täyttymisilmaisain
9. Ruohonkeräin
10. Ruohosilpun poistosuppilon suojakansi
11. Kahvalukko
12. Takapyörä
13. Korkeudensäätövipu
14. Etupyörä
15. Virta-avain
16. Akku
17. Laturi
18. Silppuripistoke

TUOTTEESSA OLEVAT SYMBOLIT



Lue ja ymmärrä kaikki ohjeet ennen tuotteen käyttöä ja noudata kaikkia varoituksia ja turvallisuusohjeita.



Käytä kuulosuojaimea



Käytä silmäsuojaimea



Älä käytä ruohonleikkuria rinteessä, jonka kaltevuus on yli 15°. Leikkaa ruoho rinteissä poikittain eikä koskaan ylös alas.



Älä altista konetta sateelle tai kosteudelle.



Varo teräviä teriä. Terät pyörivät moottorin sammutuksen jälkeen – poista virta-avain ennen huoltoa



Varo sinkoutuneita ja muita lentäviä esineitä. Pidä kaikki sivulliset vähintään 15 metrin päässä toiminta-alueelta – erityisesti lapset ja lemmikit.



Kahvassa on 3-tasoinen korkeuden säätö. Tarkasta, että putket ovat kunnolla paikallaan, etenkin korkeimmalla tasolla. Kahva saattaa luiskahtaa rei'istä, ellei se ole lukkiutunut kunnolla paikalleen.



Käynnistä tuote painamalla käynnistyspainiketta ja sitten virtapainiketta (A tai B). Vapauta käynnistyspainike ja pidä virtapainiketta pohjassa laitetta käyttäessäsi. Sammuta laite vapauttamalla On/Off-painike.



Aja



Stop



Lue ohjeet huolellisesti ennen laitteen käynnistämistä.



Huom



Käytöstä poistettavia sähkölaitteita ei pidä hävittää talousjätteiden mukana. Ne on mahdollisuuksien mukaan pantava kiertoon. Kierrätysohjeita antavat kunnan viranomaiset ja vähittäiskauppiat.



Varoitus



Tämä työkalu on sen EU-maan kaikkien sääntömääräisten standardien mukainen, josta se on ostettu.



EurAsian-vaatimustenmukaisuusmerkki



Ukrainalainen säädöstenmukaisuusmerkintä



Tässä tarrassa näytetty taattu äänenpaine on 96 dB.

Seuraavien merkkien tarkoitus on selittää, miten vakava riski tuotteeseen liittyy.

VAARA

Ilmaisee välitöntä vaaratilannetta, joka ellei sitä vältetä, johtaa kuolemaan tai vakavaan loukkaantumiseen.

VAROITUS

Ilmaisee potentiaalisen vaaratilanteen, joka ellei sitä vältetä, johtaa kuolemaan tai vakavaan loukkaantumiseen.

HUOMAUTUS

Ilmaisee potentiaalisen vaaratilanteen, joka ellei sitä vältetä, saattaa johtaa pienempään tai keskivaikeaan loukkaantumiseen.

HUOMAUTUS

(Ilman turvallisuusvaroitussymbolia) Ilmoittaa tilanteesta, jossa omaisuutta saattaa vaurioitua.

TÄMÄN KÄSIKIRJAN SYMBOLIT



Osat ja lisävarusteet on hankittava erikseen

Sikkerhet, ytelse og driftssikkerhet er gitt topp prioritet i konstruksjonen av din kabelfri gressklipper.

TILTENKT BRUK

Den kabelfrie gressklipperen skal bare brukes utendørsbruk.

Dette produktet er ment for klipping av plener i private haver. Kniven skal rotere tilnærmelsesvis parallelt med underlaget den kjøres over. Alle fire hjul skal ha kontakt med underlaget ved klipping. Det er en operatørstyrt gressklipper du står bak og skyver foran deg manuelt.

Produktet må aldri brukes med hjulene hevet fra bakken. Ikke løft den eller ri på den. Den skal ikke brukes til annet enn å klippe plener i private hager.

Ikke bruk til noe annet formål.

GENERELLE SIKKERHETSADVARSLER

⚠ ADVARSEL

Når produktet brukes må sikkerhetsreglene følges. Les disse instruksjonene før du tar i bruk produktet for din egen sikkerhet og sikkerheten til personer som befinner seg i nærheten. Vennligst ta vare på instruksjonene for fremtidig bruk.

⚠ ADVARSEL

Bruk bare maskinen med batteritypen som er angitt i denne håndboken. Når du bruker en batteridrevet maskin må visse grunnleggende sikkerhetsforholdsregler følges for å redusere risikoen for brann, lekkende batterier og personlig skade, inklusive følgende.

PERSONLIG SIKKERHET

- Produktet er i stand til å amputere hender og føtter, samt å kaste gjenstander. Dersom sikkerhetsanvisningene ikke følges, kan det ha alvorlige personskader eller døden til følge.
- Gjør deg kjent med styringen og riktig bruk av produktet.
- Du må aldri la barn eller personer med nedsatte fysiske, sensoriske eller mentale evner, eller personer som ikke kjenner tid

denne bruksanvisningen, å bruke, rengjøre eller vedlikeholdet dette produktet. Lokale forskrifter kan begrense en alder av operatøren. Barn må ha riktig tilsyn for å sikre at de ikke leker med produktet.

- Vær våken, følg med på hva du gjør og bruk fornuft når du anvender enheten. Ikke bruk utstyret når du er sliten, syk eller under påvirkning av alkohol, narkotika eller medisiner som kan påvirke reaksjonsevne og dømmekraft. Tap av konsentrasjon når maskinen brukes kan føre til alvorlig personskade.
- Bruk tykke, lange bukser, jakke med lange ermer og sklissikkert fottøy. Ha ikke på korte bukser og sandaler eller vær barføtt. Unngå å bruke klær som er løstsittende eller som har hengende snorer eller belter.
- Bruk alltid vernebriller med sideskjermer.
- Pass på at du står trygt, spesielt i skråninger. Ha god fotfeste og ballanse til enhver tid. Gå, du må aldri løpe mens du arbeider med maskinen.
- Arbeid langs en skråning, aldri opp og ned. Vær meget forsiktig når du skifter retning i en skråning.
- Ikke bruk produktet nær terrengfall, grøfter, meget bratte skråninger eller fyllinger. Dårlig fotfeste kan føre til at du sklir og faller.

ARBEIDSOMGIVELSER

- Bruk aldri produktet når personer, spesielt barn, eller kjæledyr er innenfor 15 m på grunn av faren for at gjenstander kan slenges ut etter kontakt med bladet.
- Gjenstander som blir truffet av kuttebladene kan føre til alvorlig personskade. Inspiser grundig området der gressklipperen skal brukes og fjern alle steiner, pinner, metallbiter, stråltråd, bein, leker og andre fremmedlegemer. Husk at snorer og vaiere kan hekte seg fast i kutteenheten.
- Bruk klipperen i dagslys eller i godt kunstlys.
- Ikke bruk elektrisk verktøy i eksplosive atmosfærer, der det finnes brennbare væsker, gasser eller støv. Elektrisk verktøy skaper gnister som kan antenne støv eller gasser.
- Ikke bruk verktøyet i fuktige og våte omgivelser eller når det regner.
- Bruk ikke produktet når det er fare for

lynnedslag.

- Husk at operatøren eller brukeren er ansvarlig for uhell og farer som andre personer og deres eiendom får påført.
- Tragiske uhell kan oppstå dersom operatøren ikke er oppmerksom på barn i nærheten. Barn tiltrekkes ofte av slikt redskap og gressklipping. Du må aldri gå ut i fra at barn forblir på det stedet der du så dem sist.
- Hold barn unna området som skal klippes, og under tilsyn av en ansvarlig voksen nr. Vær på vakt, og slå av maskinen hvis et barn kommer inn i området.
- Vær ekstra forsiktig når du nærmer deg uoversiktlige hjørner, busker, trær eller andre objekter, inkludert overhengende busker som kan blokkere visningen.

BATTERIPRODUKTER - BRUK OG STELL

- Du må lese og forstå sikkerhetsinstruksene som fulgte med batteriet og laderen og alltid følge disse ved bruk. Dersom dette ikke overholdes, kan det føre til elektrisk støt, brann eller andre farlige situasjoner. Ta vare på alle bruksanvisninger på et sted som er trygt for framtidig referanse.
- Batteridrevne produkter behøver ikke å kobles til en elektrisk kontakt; derfor vil de alltid være klare til bruk. Fjern skillebryteren når du ikke bruker produktet.
- Fjern batteripakken før det foretas justeringer, rengjøring eller det skal fjernes deler fra gressklipperen.
- Påse at isolatørnøkkelen er tatt ut før batteripakken settes på plass.
- Batteripakken må kun lades med ladere som er spesifisert av produsenten. Bruk av lader med en ikke-kompatibel batteripakke kan skape risiko for brann. Bruk kun de oppførte laderne til å lade batteriet.
- Bruk bare en batteripakke som er spesielt beregnet på dette verktøyet. Bruk av noe annet batteri kan føre til risiko for brann, elektrisk støt eller personskade.
- **Når batteripakken ikke er i bruk, hold den vekke fra metallgjenstander som binders, mynter, nøkler, spiker, skruer og annet som kan forbinde de to terminalene med hverandre.** Kortslutning av batteriterminalene kan føre til gnister, brennemerke, brann eller eksplosjon.

- Plasser ikke batteriprodukter eller deres batterier nær åpen flamme eller sterk varme. Dette vil øke risikoen for eksplosjoner og mulige skader.
- Ikke gjør forsøk på å åpne eller slå i stykker en batteripakke. Batterisyre er korroderende og kan, dersom den kommer ut, føre til skade på hud og øyne. Den kan være giftig å svelge.
- Beskytt batteripakken mot fuktighet og vann. Ikke lad enheten på fuktige eller våte steder. Følg denne regelen for å redusere risikoen for elektrisk sjokk.
- Ved skade på eller feilaktig bruk av batteriet kan det løse ut damp. Sørg for frisk luft og søk medisinsk hjelp dersom den som er utsatt for dampen føler seg uvel eller syk. Dampen kan irritere luftveiene.
- Ikke etterlat batteripakken i et kjøretøy under varme eller kalde forhold.
- Ikke gjør forsøk på å brenne batteriet.
- Dersom batteriet misbrukes kan det slippe ut væske, unngå hudkontakt med væsken. Hvis du får kontakt med væsken fra batteriet, skyll med rikelige mengder vann. Hvis væsken får kontakt med øynene må det søkes medisinsk hjelp. Væske som kommer ut av batteriet kan føre til irritasjon eller brannår.

GRESSKLIPPER SIKKERHETSADVARSLER

- Før gressklipperen tas i bruk må det foretas en visuell inspeksjon for å fastslå at kniv, knivbolt og klippesett ikke er slitt eller skadet.
- Skift slitte og/eller skadede kniver og bolter i sett for å ivareta balansen.
- Bladet på produktet er skarpt. Vis varsomhet og bruk tykke arbeidshansker når du monterer, skifter, rengjør og sjekker innfestingen av tindene.
- Bring produktet til et autorisert servicesenter for utskifting av skadede eller uleselige etiketter.
- Kontroller all mutter, bolter og skruer med jevne mellomrom at de er skrudd fast for å sikre at utstyret er i driftssikker stand.
- Sjekk gressoppsamlere ofte for slitasje, hull eller annen skade.
- Skift ut slitte eller ødelagte deler før du tar



i bruk produktet.

- Produktet må startes når brukeren står bak håndtaket i brukerens sikkerhetssone. Du må aldri starte produktet hvis:
 - Ikke alle fire hjul er på bakken
 - utkasterrøret er eksponert og ikke beskyttet av gressboksen eller dekselet
 - Ikke alle personer har hender og føtter unna kuttedelen
- Bruk aldri produktet hvis på/av-bryteren på håndtaket ikke ordentlig for å starte og stoppe produktet.
- Du må aldri forsøke å låse På-/av-knappene i PÅ posisjon. Det er meget farlig.
- Ikke press maskinen. Den vil gjøre jobben bedre og tryggere med den hastigheten den er konstruert for.
- Stopp kniven når du krysser et gruslagt område.
- Ikke dra produktet bakover kun hvis det absolutt er nødvendig. Hvis du må rygge klipperen ut fra en vegg eller en hindring, se ned og bak deg for å unngå å snuble og dernest trekke klipperen over føttene dine.
- Stans motoren så bladet kan stanse all bevegelse hvis produktet skal legges på siden, når du skal transportere den over grunn som ikke er gress og når du skal transportere produktet til og fra områder der gresset skal klippes.
- Ikke bruk maskinen med defekte beskyttelser eller skjold, eller uten at sikkerhetsinnretninger, for eksempel avvisere og/eller oppsamlingspose for gress, er på plass.
- Ikke skråstill produktet når du slår på motoren eller mens motoren er i drift. Hvis det er absolutt nødvendig, kan fronten på klipperen heves inntil 5 cm for å gjøre det enklere å starte den. Du trykker ned på styret for å få til dette. Returner alltid klipperen til sin normal posisjon med alle hjulene på bakken før du begynner å klippe gresset. Når du vipper på klipperen, blir knivene eksponert. Dette øker risikoen for tilfeldig kontakt med knivene og at gjenstander blir kastet.
- Slå motoren forsiktig på i samsvar med instruksjonene. Hold hendene og føttene unna knivene. Ikke plasser hender eller føtter under roterende deler.

- Løft aldri opp eller bær produktet mens motoren går.
- Stopp gressklipperen, fjern isolatornøkkelen og ta ut batteriet. Påse at alle bevegelige deler har stoppet helt:
 - Når du forlater produkt uten tilsyn (inkludert tømning av gressavfallet).
 - før du fjerner en blokkering eller renser utkasterrøret
 - før kontroll, rensing og arbeider på produktet
 - før du fjerner oppsamlingsboksen eller åpner gressutkasterens deksel
 - etter at du har kjørt på en gjenstand; sjekk enheten for skader og utfør nødvendige reparasjoner før du starter og bruker maskinen igjen.
 - hvis produktet starter å vibrere unormalt (sjekk omgående)
 - Kontroller for skader, spesielt knivene
 - erstatt eller reparer enhver skadet del
 - undersøk og stram alle løse deler
- Unngå hull, hjulspor, humper, steiner og andre skjulte gjenstander. Ujevnt underlag kan føre til at man sklir og fallulykker.
- Du må alltid sjekke at motorens styrekabel ikke hekter seg fast, klemmes eller skades på annen måte under montering eller når du folder sammen håndtaket.

EKSTRA ADVARSLER FOR BATTERISIKKERHET

⚠ ADVARSEL

For å unngå fare for en brann forårsaket av en kortslutning, av personskader eller skader av produktet, må det forhindres at batteripakken eller laderen dyppes i væsker og også sørges for at ingen væsker kan komme inn i apparatene eller batteriene. Korroderende og ledende væsker som saltvann, visse kjemikalier og blekemidler eller produkt som inneholder blekemidler kan forårsake en kortslutning.

EGENSKAPER

OVERBELASTNING OG OVEROPPHETING BESKYTTELSE

Gressklipperen er utstyrt med overbelastningsvern. Gressklipperen slår seg



automatisk av når det registreres at den blir overbelastet. Hvis overlastvernet er aktivert, må på/av-knappen slippes. Trykk på av/på-knappen for å starte produktet på nytt.

Batteripakken har overopphetingsbeskyttelse. Høye temperaturer kan føre til at batteriet slutter å drive verktøyet. Kjenn på batteriet. Hvis det kjennes for varmt, må det få tid på å kjøle seg ned før du starter gressklipperen igjen. Hvis verktøyet fortsatt ikke virker må batteriet lades.

MERK: LED-indikatoren på batteripakken vil ikke virke dersom batteriets beskyttelsesfunksjon har ført til at batteripakken har sluttet å drive verktøyet. Slipp opp på/av-knappen eller ta batteriet ut av gressklipperen, så vil batterilampen gjenoppta normal funksjon.

GENERELLE GRESSKLIPPINGSRÅD

Batteriets levetid er avhengig av gressets forhold, lengde og tetthet.

Juster kuttehøyden til gressklipperen slik at det er tilpasset de enkelte forhold på gressplenens som skal klippes.

Gress-tilstand	Anbefalt høydejustering		Dekning (maksimalt)	
	Første klipp	Påfølgende klipp	4 Ah-batteri	5 Ah-batteri
Meget tynt / tørt	3	2	200 m ²	250 m ²
Tynt / tørt	4	3 → 2	150 m ²	200 m ²
Medium / tett	5	4 → 3	100 m ²	150 m ²

* *Batteri: RB18L40*

- For beste resultat, kutt alltid en tredjedel eller mindre av gressets totale høyde.
- Når du kutter høyt gress, senk hastigheten på gange for å få en mer effektiv klipping og riktig utslipp av klippet gress.
- Ikke kutt vått gress. Det vil feste seg til undersiden av dekelet og hindre at kuttet gress blir samlet opp eller kastet ut riktig.
- Nytt eller tykt gress kan kreve større klippehøyde.
- Hvis du ønsker å samle inn gressrester for deponering, fjern mulchingpluggen og monter gressfangeren og sørg for at gresstømmerennens lokk er godt lukket. Husk å tømme gressopsamleren

regelmessig, ellers vil utkaståpningen bli blokkert med gress.

- Hvis du foretar lett klipping og ønsker at det avklippede gresset skal bli liggende på plenen, monter mulchingpluggen og lukk gresstømningstrakten for å dekke til tømmeåpningen. Det er ikke nødvendig å montere gressopsamleren i dette tilfellet.
- Produktet er designet til å brukes og kutte mest effektivt ved bevegelse fremover.
- Høyere klippehøyde vil øke batteriets driftstid.

TRANSPORT OG LAGRING

- Stopp gressklipperen, fjern isolatornøkkelen og ta ut batteriet. Påse at alle bevegelige deler har stoppet helt: La produktet kjøle seg ned før oppbevaring eller transport i et kjøretøy.
- Fjern alle fremmedelementer fra produktet. Lagres på et kjølig, tørt og godt ventilert sted som er utilgjengelig for barn. Hold den borte fra korrosive materialer, så som ugressmidler og veisalt. Ikke oppbevar utendørs.
- Hvis gressklipperen skal transporteres i et kjøretøy, må isolatornøkkelen fjernes og gressklipperen sikres mot bevegelse eller fall for å unngå personskader og skade på gressklipperen.

⚠ ADVARSEL

Vær ekstremt forsiktig når du løfter eller vipper gressklipperen i forbindelse med vedlikehold, renhold, lagring eller transport. Knivene er skarpe. Hold derfor alle kroppsdeler unna knivene mens de er synlige.

TRANSPORTERE LITUM-BATTERIER

Transporter batterier i henhold til lokale og nasjonale lover og forskrifter.

Følg alle spesialkrav med hensyn til emballering og merking når batterier transporteres av en tredjepart. Påse at ingen batterier kan komme i kontakt med andre batterier eller ledende materialer under transporten ved å beskytte åpne kontakter med isolasjon, ikkeledende lokk eller tape. Ikke transporter batterier som er sprukne eller som lekker. Kontakt spedtøren for å få ytterligere råd.

VEDLIKEHOLD

⚠ ADVARSEL

Bruk kun produsentens originale reservedeler, tilleggsutstyr og påsatser. Dersom dette ikke følges, kan det forårsake personskader, dårlig funksjon og kan annullere garantien din.

⚠ ADVARSEL

Service krever meget stor forsiktighet og kunnskap og bør utføres kun av kvalifisert teknisk personale. Få utført service på produktet kun av et autorisert servicesenter. For service av maskinen, bruk kun produsentens originale reservedeler.

- Stopp gressklipperen, fjern isolatornøkkelen og ta ut batteriet. Pass på at alle bevegelige deler har stoppet fullstendig før du rengjør eller vedlikeholder gressklipperen.
- Du kan utføre justeringer og reparasjoner som er beskrevet her. For andre typer reparasjoner eller råd anbefales det å kontakte et autorisert servicesenter.
- Erstatt slitte eller skadede deler av sikkerhetshensyn.
- Kontroller gressoppsamleren ofte for slitasje eller elde.
- Etter hver bruk, rens produktet med en myk tørr klut. Enhver del som er skadet må repareres eller skiftes ut ved et autorisert serviceverksted.
- Kontroller all mutter, bolter og skruer med jevne mellomrom at de er skrudd fast for å sikre at produktet er i driftssikker stand.
- Vær forsiktig ved justering av maskinen slik at du unngår å få fingrene i klem mellom bevegelige kniver og faste deler av maskinen.
- Når du behandler knivene, vær klar over at de kan fortsatt bevege seg selv om strømtilførselen er slått av.
- Bladet på produktet er skarpt. Vis varsomhet og bruk tykke arbeidshansker når du monterer, skifter, rengjør og sjekker innfestingen av tindene.
- Skift slitte og/eller skadede kniver og bolter i sett for å ivareta balansen.
- Knivboltene må være strammet godt til.

Du finner riktig tiltrekkingsmoment for knivboltene i spesifikasjonstabellen for gressklipperen i denne håndboken.

FJERNING AV EN BLOKKERING

- Stopp gressklipperen, fjern isolatornøkkelen og ta ut batteriet. Påse at alle bevegelige deler har stoppet helt:
- Bruk alltid kraftige arbeidshansker når en blokkering undersøkes og fjernes.
- Bladene er skarpe, og selve blokkeringen kan være en skarp gjenstand.
- Ta av oppsamleren og se etter og fjern hindringer.
- Sjekk utkasterrøret og fjern eventuelle blokkeringer.
- Legg gressklipperen på siden og kontroller undersiden og området rundt knivene. Fjern forsiktig eventuelle blokkeringer. Husk at knivene kan bevege seg under rengjøring.

GJENVÆRENDE RISIKO

Selv om utstyret brukes som beskrevet er det ikke mulig å unngå enhver gjenværende risiko. Følgende faresituasjoner kan oppstå ved bruk, og operatøren må legge spesielt vekt på å unngå følgende:

- Personskade på grunn av vibrasjon
 - Bruk alltid riktig verktøy for jobben. Bruk håndtakene og begrens arbeidstiden og eksponeringen.
- Skader skapt av støy.
 - Eksponering for støy kan føre til hørselskader. Bruk hørselvern og begrens eksponeringen.
- Personskader pga. kontakt med bladet
- Skade som forårsakes av gjenstander som slynges

FAREREDUKSJON

Det foreligger rapporter om at vibrasjoner fra håndholdt verktøy for enkelte personer kan bidra til en tilstand som kalles Raynauds Syndrome. Symptomene kan omfatte følelseløshet og gjøre fingrene bleke, vanligvis synlig ved eksponering til lave temperaturer. Arvelige faktorer, eksponering mot lave temperaturer og fuktighet, diett, røyking og arbeidspraksis blir alle ansett for å kunne bidra til å utvikle disse symptomene.

Brukeren kan iverksette tiltak for mulig å redusere virkningene av vibrasjonene:

- Hold kroppen din varm i kaldt vær. Bruk hansker og hold hender og håndledd varme ved bruk av produktet. Det er rapportert at kaldt vær er en viktig faktor som bidrar til Raynauds Syndrome.
- Etter hver arbeidsperiode bør det utføres øvelser for å øke blodsirkulasjonen.
- Ta ofte pauser fra arbeidet som utføres. Begrens mengden av eksponering pr. dag.

Hvis du opplever noen av symptomene på denne tilstanden må du øyeblikkelig avbryte arbeidet og oppsøke en lege med disse symptomene.

⚠ ADVARSEL

Hvis man bruker verktøyet for lenge av gangen, kan det føre til eller forverre allerede eksisterende personskade. Når du bruker et verktøy over en lenger tidsperiode, husk å ta regelmessige pauser.

KJENN PRODUKTET DITT

Se side 193.

Deler

1. Håndtak
2. På-av knapp
3. Start-knapp
4. Motor kontrollkabel
5. Holder for kabel for motorstyring
6. Batteridør
7. Håndtakknott
8. Indikator full gressbeholder
9. Gressoppsamler
10. Lokk på gresstømmingsrenne
11. Håndtakslås
12. Bakhjul
13. Høydeinnstiller
14. Forhjul
15. Isolatørnøkkel
16. Batteri
17. Lader
18. Mull-plugg

SYMBOLER PÅ PRODUKTET



Les og forstå alle instruksjoner før du tar i bruk produktet, følg alle advarsler og sikkerhetsanvisninger.



Bruk hørselsvern



Bruk øyebeskyttelse



Ikke kjør klipperen i helninger på mer enn 15°. Klipp gresset på tvers av skråninger, aldri opp og ned.



Ikke utsette for regn eller fuktige forhold.



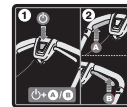
Vær oppmerksom på skarpe blader. Bladene fortsetter å rotere etter at motoren er skrudd av - fjern skillebryteren før vedlikehold



Vær oppmerksom på utkastede eller flygende gjenstander. Hold tilskuere, spesielt barn og dyr, på god avstand, det vil si minst 15 meter fra arbeidsområdet



Håndtaket kan justeres i høyden i 3 nivåer. Kontroller at rørene er satt godt i, særlig på høyeste nivå. Håndtaket kan skli ut av hullene hvis de ikke er satt riktig inn og låst.



Trykk på startknappen og deretter på På-/av-knappen (A eller B) for å starte produktet. Slipp startknappen og hold inne På-/av-knappen for å kjøre klipperen. Slipp På/Av-knappen for å stanse produktet.



Gå



Stopp



Vennligst les instruksjonene nøye før du starter maskinen.



Avfall fra elektriske produkter skal ikke kastes sammen med husholdningsavfall. Vennligst resirkulervedeksisterende avfallsbehandlingssted. Undersøk hos dine lokale myndigheter eller forhandler for råd om resirkulering.



Dette verktøyet overholder samtlige standarder i det EU-landet det er kjøpt i.



EurAsian Konformitetstegn



Ukrainsk merke for konformitet



Det garanterte lydtrykksnivået er på 96 dB og er angitt på etiketten.



Advarsel

Følgende signalord og meninger har til hensikt å forklare graden av risiko forbundet med bruken av dette produktet.

FARE

Indikerer en øyeblikkelig farlig situasjon, som, hvis ikke unngås, kan resultere i død eller alvorlig personskade.

ADVARSEL

Indikerer en potensiell farlig situasjon, som, hvis ikke unngås, kan resultere i død eller alvorlig personskade.

FORSIKTIGHETSREGEL

Indikerer en potensiell farlig situasjon, som, hvis ikke unngås, kan resultere i mindre eller moderat personskade.

FORSIKTIGHETSREGEL

(Uten sikkerhetssymbol) Indikerer en situasjon som kan resultere i skader på eiendom.

SYMBOLER I DENNE MANUALEN



Deler eller tilbehør solgt separat



Nb

При разработке Беспроводная газонокосилка особое внимание уделялось безопасности, производительности и надежности.

НАЗНАЧЕНИЕ

Беспроводная газонокосилка предназначена для использования только вне помещений.

Данное устройство предназначено для стрижки газонов в бытовых условиях. Режущее лезвие должно вращаться примерно параллельно поверхности, по которой перемещается газонокосилка. Во время стрижки все четыре колеса должны касаться земли. Эта газонокосилка предназначена для толкания вручную оператором, идущим за ней.

Во время эксплуатации изделия запрещается поднимать его над землей. Инструмент нельзя тянуть за собой и садиться на него. Устройство можно использовать исключительно для стрижки газонов в бытовых условиях.

Не используйте устройство для каких-либо иных целей.

ОБЩИЕ ПРАВИЛА БЕЗОПАСНОСТИ

▲ ОСТОРОЖНО

При использовании устройства необходимо соблюдать правила техники безопасности. В целях собственной безопасности и безопасности наблюдающих лиц перед использованием устройства прочитайте приведенные в данном руководстве инструкции. Сохраните данные инструкции для последующего использования.

▲ ОСТОРОЖНО

Используйте инструмент только с аккумуляторными блоками, указанными в настоящем руководстве пользователя. Во избежание опасности возгорания, течи аккумуляторной батареи и получения травм при использовании электроинструментов с питанием от аккумуляторных батарей следует соблюдать основные правила техники безопасности.

ЛИЧНАЯ БЕЗОПАСНОСТЬ

- Изделие может отрезать руки и ноги, а также отбрасывать предметы. Отказ соблюдать все инструкции безопасности, может кончиться серьезным ущербом или смертью.
- Ознакомьтесь с элементами управления и правильным использованием устройства.
- Никогда не позволяйте детям или людям с ограниченными физическими, сенсорными или умственными способностями, а также людям, незнакомым с этими инструкциями, работать с этим устройством, выполнять его очистку и техническое обслуживание. Местные инструкции могут ограничить возраст оператора. Не допускайте того, чтобы дети играли с этим устройством.
- Следует соблюдать осторожность, следить за своими действиями и руководствоваться здравым смыслом при работе с устройством. Не работайте с данным инструментом в случае усталости, болезни или под воздействием алкоголя, наркотиков или медикаментов. Недостаточная внимательность во время работы с устройством может привести к получению серьезной травмы.
- Работать следует в тяжелых, длинных брюках, одежде с длинным рукавом и прочной нескользящей обуви. Не носите шорты и сандалии, также не ходите босиком. Не надевайте свободную одежду или одежду со свисающими шнурками или узлами.
- Всегда надевать небьющиеся очки с щитами стороны.
- Всегда сохраняйте устойчивое положение, особенно на склонах. Держать устойчивую опору и баланс. Передвигайтесь шагом, не бегайте.
- Двигайтесь с изделием поперек поверхности склонов, но не вверх и не вниз. Осуществлять чрезвычайное предостережение при изменении направления на склонах.
- Не используйте устройство вблизи обрывов, рвов, очень крутых склонов или насыпей. Бедная опора может причинять несчастный случай промаха и падения.

БЕЗОПАСНОСТЬ НА РАБОЧЕМ МЕСТЕ

- Запрещается работать с устройством, если в радиусе 15 м находятся люди, особенно дети или домашние животные, потому что предметы, вылетающие от контакта с лезвием, могут привести к травмам.
- Объекты, пораженные лезвием косилки лужайки, могут причинять серьезные повреждения людям. Тщательно осмотрите участок, где предполагается использовать газонокосилку, и уберите все камни, палки, металлические части, проволоку, кости, игрушки и другие посторонние предметы. Помните, что провода или шнуры могут запутаться в режущих деталях.
- Эксплуатируйте изделие только при дневном свете или хорошем искусственном освещении.
- Не используйте изделия с аккумуляторным питанием во взрывоопасной среде, например, при наличии легковоспламеняющихся жидкостей, газов или пыли. В устройстве могут образовываться искры, что может привести к воспламенению пыли или газа.
- Не работайте с устройством во влажной траве или под дождем.
- Не используйте прибор, если есть опасность поражения молнией.
- Иметь в виду, что оператор или пользователь ответственны за несчастные случаи или опасности, встречающиеся другим людям или их собственности.
- Трагические несчастные случаи могут происходить, если оператор - не внимателен к присутствию детей. Детей часто привлекает машина и скашивающая деятельность. Никогда не предполагать, что дети останутся, там, где вы видели их.
- Не допускайте детей на участок кошения и оставляйте их под присмотром ответственного взрослого, не оператора, и выключайте инструмент, если ребенок появится на участке работы.
- Работайте с особой осторожностью при приближении к углам с плохой обзорностью, кустарникам, деревьям и

другим объектам, включая нависающие насаждения, которые могут закрывать обзор.

ЭКСПЛУАТАЦИЯ УСТРОЙСТВА С АККУМУЛЯТОРНЫМ ПИТАНИЕМ И УХОД ЗА НИМ

- Прочитайте, уясните и всегда следуйте инструкции по технике безопасности, прилагаемой к батарее и зарядному устройству. Несоблюдение инструкции может привести к поражению электрическим током, пожару и другим опасным ситуациям. Храните все инструкции вместе в надежном месте для дальнейшего использования.
- Нет необходимости подключать устройства с аккумуляторным питанием в электрическую розетку, они всегда находятся в рабочем состоянии. Извлеките разъединитель, когда вы не используете изделие.
- Перед выполнением любых настроек, очисткой или удалением материала с устройства снимите аккумуляторную батарею.
- Перед установкой аккумуляторной батареи убедитесь, что ключ зажигания вынут.
- Зарядку аккумуляторной батареи следует производить только с помощью рекомендованного изготовителем зарядного устройства. Использование зарядного устройства с несовместимой аккумуляторной батареей может создать опасность возгорания. Используйте аккумуляторные батареи только с перечисленными зарядными устройствами.
- Используйте с данным устройством только предназначенные для него аккумуляторные батареи. Использование аккумуляторных батарей другого типа может привести к возгоранию, поражению электрическим током или телесным повреждениям.
- Если аккумуляторная батарея не используется, храните ее отдельно от других металлических предметов, например канцелярских скрепок, монет, ключей, гвоздей, винтов и других мелких металлических предметов, которые могут привести

к замыканию контактов батареи. Замыкание полюсов батареи может привести к искрам, возгоранию, пожару или взрыву.

- Не размещайте батареи рядом с источниками огня или тепла. Это повышает риск взрыва и получения травмы.
- Не вскрывайте и не разбирайте аккумуляторную батарею. Вытекающий электролит является разъедающим веществом, которое может привести к поражению глаз или кожи. При проглатывании электролит может привести к отравлению.
- Оберегайте аккумуляторную батарею от сырости и воды. Не заряжайте устройство в условиях повышенной влажности или сырости. Соблюдение этого правила снизит риск получения удара электрическим током.
- При повреждении или ненадлежащем использовании аккумуляторной батареи из нее могут выделяться испарения. В случае появления признаков недомогания обеспечьте поступление свежего воздуха и обратитесь за врачебной помощью. Испарения могут вызвать раздражение органов дыхания.
- Не оставляйте аккумуляторные батареи внутри прибора в жарких или холодных условиях.
- Не сжигайте аккумуляторную батарею.
- При ненормальных условиях из батареи может вытечь жидкость, избегайте контакта с ней. Если этого избежать не удалось, смойте жидкость водой. Если жидкость попала в глаза, после их промывания обратитесь за медицинской помощью. Жидкость, вытекшая из батареи, может вызвать раздражение или ожог.

ПРЕДОСТЕРЕЖЕНИЯ ОТНОСИТЕЛЬНО БЕЗОПАСНОГО ПОЛЬЗОВАНИЯ ГАЗОНОКОСИЛКИ

- Перед работой всегда проверяйте инструмент на наличие износа или повреждений режущего лезвия, болтов для его крепления полотна и режущего узла.
- Замените изношенные или

поврежденные режущие лезвия и болты в комплекте, чтобы обеспечить балансировку.

- Лезвие изделия острое. Будьте предельно осторожны и выполняйте установку, замену, очистку и проверку затяжки болтов в защитных перчатках.
- Обратитесь в авторизованный сервисный центр для замены поврежденных или нечитаемых этикеток изделия.
- Проверить все болты, задвижки, и винты, через короткие интервалы, на надлежащую плотность, чтобы убедиться, что оборудование находится в безопасном, рабочем состоянии.
- Регулярно проверяйте травосборник на предмет износа, повреждений и эффективности.
- Замените изношенные или поврежденные детали перед началом эксплуатации устройства.
- При запуске изделия оператор должен находиться за ручками в безопасной зоне. Запрещается запускать устройство, если не выполнены указанные ниже условия:
 - все четыре колеса не находятся на земле
 - лоток для выгрузки травы открыт и не защищен крышкой травосборника и лотка для выгрузки травы
 - оператор и другие находящиеся поблизости лица носят спецодежду, защищающую их ноги и руки от порезов
- Не используйте изделие, если невозможно остановить двигатель выключателем, расположенным на ручке.
- Никогда не пытайтесь заблокировать выключатели в положении «ВКЛ.», это крайне опасно.
- Не прикладывайте чрезмерных усилий при работе с данным инструментом. Лучше и безопаснее выполнить работу на той скорости, на которую устройство рассчитано.
- При пересечении участков, покрытых гравием, остановите режущее лезвие.
- Не тяните устройство назад без крайней



необходимости. Если вам потребуется отодвинуть устройство от стены или иного ограждения, сначала посмотрите под ноги и назад, чтобы не повредить себе ноги при его перемещении.

- Остановите двигатель и дождитесь остановки лезвия, если газонокосилку необходимо наклонить для перевозки при пересечении не покрытых травой поверхностей и при транспортировке устройства к месту скашивания и из него.
- Никогда не пользуйтесь инструментом в случае повреждения защитных приспособлений или без установленных щитков или других защитных устройств, например, без отражателей и/или контейнера для травы.
- Запрещается наклонять изделие при запуске или во время работы двигателя. При абсолютной необходимости можно поднять переднюю часть газонокосилки для облегчения пуска не более, чем на 5 см. Для этого нажмите на ручку управления. Перед началом стрижки всегда возвращайте газонокосилку в исходное положение, при этом все колеса должны стоять на земле. При наклоне газонокосилки лезвие открывается, что увеличивает риск отбрасывания предметов и контакта с лезвием.
- Осторожно включите двигатель, следуя инструкции, и держите руки и ноги вдали от лезвий. Не держите руки или ноги вблизи вращающихся деталей или под ними.
- Не поднимайте и не несите изделие с работающим двигателем.
- Остановите инструмент, извлеките ключ разъединителя и аккумулятор. Убедитесь в полной остановке всех движущихся деталей:
 - когда продукт оставляется без присмотра (включая выброс обрезков травы).
 - перед очисткой засора лотка для выгрузки травы
 - перед проверкой, чисткой и техобслуживанием продукта;
 - перед снятием сборника срезанной травы или открытия крышки желоба выброса травы

- после удара о посторонний предмет; осмотрите прибор на наличие повреждений и отремонтируйте по мере необходимости перед повторным запуском и эксплуатацией устройства;
- если продукт начинает вибрировать (проверьте немедленно).
 - осмотреть на предмет повреждений, особенно лопасти
 - заменить или отремонтируйте поврежденные детали
 - проверьте и, при необходимости, затяните ослабленные детали
- Избежать отверстий, колея, ударов, камней, или других скрытых объектов. Неровный ландшафт может причинять несчастный случай промаха и падения.
- Обязательно следите за тем, чтобы шнур управления двигателем не был зацеплен, пережат и поврежден каким-либо иным образом во время сборки или складывания ручки.

ТРЕБОВАНИЯ БЕЗОПАСНОСТИ ПРИ ИСПОЛЬЗОВАНИИ ДОПОЛНИТЕЛЬНОЙ АККУМУЛЯТОРНОЙ БАТАРЕИ

⚠ ОСТОРОЖНО

Для предотвращения опасности пожара в результате короткого замыкания, травм и повреждения изделия не опускайте инструмент, сменный аккумулятор или зарядное устройство в жидкости и не допускайте попадания жидкостей внутрь устройств или аккумуляторов. Коррозионные и проводящие жидкости, такие как соленый раствор, определенные химикаты, отбеливающие средства или содержащие их продукты, могут привести к короткому замыканию.

ФУНКЦИИ ИНСТРУМЕНТА

ЗАЩИТА ОТ ПЕРЕГРУЗКИ И ПЕРЕГРЕВА ЗАЩИТА

Инструмент оснащен устройством защиты от перегрузки. При обнаружении перегрузки инструмент автоматически выключится. Если срабатывает устройство защиты от перегрузки, необходимо выключить кнопку Вкл-Выкл. Нажмите кнопку Вкл-Выкл,



чтобы повторно запустить устройство.

Батарея оснащена защитой от перегрева. Чрезмерная температура может привести к отключению батареи инструмента. Потрогайте аккумуляторный блок; если он слишком теплый, перед возобновлением работы дайте ему остыть. Если и в этом случае инструмент не работает, зарядите батарею.

ПРИМЕЧАНИЕ: Индикатор аккумуляторной батареи может не работать, если прекращение питания инструмента от батареи вызвано срабатыванием функции защиты батареи. Отпустите кнопку включения или извлеките аккумуляторный блок из инструмента и светодиодный индикатор аккумуляторного блока возобновит нормальную работу.

ОБЩИЕ СОВЕТЫ ПО СКАШИВАНИЮ ТРАВЫ

Время работы батареи зависит от состояния, длины и плотности травы.

Отрегулируйте высоту срезания газонокосилки в соответствии с состоянием скашиваемого газона.

Состояние травы	Предлагаемая высота скашивания		Охват (максимум)	
	Первый проход	Последующие проходы	Батарея на 4 Ач	Батарея на 5 Ач
Очень тонкая/сухая трава	3	2	200 м ²	250 м ²
Тонкая/сухая трава	4	3 → 2	150 м ²	200 м ²
Средняя/плотная трава	5	4 → 3	100 м ²	150 м ²

* Аккумулятор: RB18L40

- Для лучшей производительности срежьте треть или менее от общей высоты травы.
- При сокращении длинной травы, уменьшите скорость, чтобы учесть более эффективное сокращение и надлежащую разгрузку отсечения.
- Не скашивайте мокрую траву, она будет прилипать к нижней части платформы и нарушать надлежащий сбор или выброс скошенной травы.
- Для стрижки свежей или густой травы может потребоваться увеличение высоты стрижки.

- Если вы желаете собирать срезанную траву для дальнейшей утилизации, извлеките заглушку для мульчирования и установите травосборник, убедившись в том, что лоток для выгрузки травы надежно закрыт. Регулярно выбрасывайте содержимое сборщика срезанной травы, иначе разгрузочный желоб забьется обрезками травы.
- Если вы выполняете легкую стрижку и хотите оставить срезанную траву на газоне, установите заглушку для мульчирования и закройте крышку лотка для выгрузки травы, чтобы перекрыть отверстие для выгрузки. В этом случае установка травосборника необязательна.
- Изделие работает наиболее эффективно при движении прямо.
- Чем больше высота среза, тем дольше будет работать батарея.

ТРАНСПОРТИРОВКА И ХРАНЕНИЕ

- Остановите инструмент, извлеките ключ разъединителя и аккумулятор. Убедитесь в полной остановке всех движущихся деталей: Перед размещением изделия на хранение или перевозкой в транспортном средстве дождитесь его остывания.
- Очистите устройство от всех посторонних материалов. Храните его в прохладном, сухом, хорошо проветриваемом и недоступном для детей месте. Не держите бензопилу рядом с коррозионными веществами, такими как садовые химикаты или размораживающая соль. Не храните на открытом воздухе.
- Для транспортировки на транспортном средстве снимите ключ разъединителя и зафиксируйте газонокосилку в неподвижном состоянии для защиты от передвижения и падения, чтобы предотвратить травмы персонала и повреждение инструмента.

▲ ОСТОРОЖНО

С особой осторожностью поднимайте и наклоняйте инструмент для проведения технического обслуживания, очистки, хранения и транспортировки, так как лезвие острое, не приближайтесь и не касайтесь оголенного лезвия частями тела.

ПЕРЕВОЗКА ЛИТIEВЫХ БАТАРЕЙ

Транспортировку батареи осуществляйте в соответствии местными и национальными нормами и положениями.

Следуйте всем особым требованиям к упаковке и маркировке при транспортировке батареи в сторонние организации. Проверьте, чтобы батарея не соприкасалась с другими батареями или токопроводящими материалами во время транспортировки, защитив открытые контакты с помощью изоляции, непроводящих колпачков или пленки. Не транспортируйте поврежденные или протекающие батареи. За консультацией обращайтесь в транспортно-экспедиционную компанию.

ОБСЛУЖИВАНИЕ

▲ ОСТОРОЖНО

Используйте только оригинальные запчасти, аксессуары и насадки от производителя. Невыполнение этого требования может привести к травме, к снижению производительности и к аннулированию гарантии.

▲ ОСТОРОЖНО

Обслуживание требует чрезвычайной заботы и знания и должно быть выполнено только квалифицированным техником обслуживания. Обратитесь в авторизованный сервисный центр. При выполнении технического обслуживания используйте только оригинальные запчасти от производителя.

- Остановите инструмент, извлеките ключ разъединителя и аккумулятор. Перед очисткой или проведением технического обслуживания инструмента проверьте,

чтобы все движущиеся детали полностью остановились.

- Вы можете выполнить регулировку и ремонт, описанные здесь. Для проведения других ремонтных работ или за получением рекомендаций обращайтесь в авторизованный сервисный центр.
 - В целях безопасности заменяйте изношенные или поврежденные детали.
 - Держать механизм в хорошем рабочем состоянии.
 - После каждого использования протирайте изделие мягкой сухой тканью. В случае повреждения какой-либо детали необходимо обратиться в авторизованный сервисный центр для выполнения надлежащего ремонта или замены.
 - Проверить все болты, задвижки, и винты, через короткие интервалы, на надлежащую плотность, чтобы убедиться, что изделие находится в безопасном, рабочем состоянии.
 - При регулировке инструмента соблюдайте осторожность во избежание попадания пальцев между движущимися режущим полотном и неподвижными деталями инструмента.
 - При обращении с режущими лезвиями помните, что даже при отключении от сети питания лезвия могут перемещаться.
 - Лезвие изделия острое. Будьте предельно осторожны и выполняйте установку, замену, очистку и проверку затяжки болтов в защитных перчатках.
 - Замените изношенные или поврежденные режущие лезвия и болты в комплекте, чтобы обеспечить балансировку.
 - Болты крепления лезвия должны быть тщательно закручены.
- Рекомендованные производителем значения усилия затяжки болта крепления лезвия смотрите в технической спецификации инструмента, приведенной в настоящем Руководстве пользователя.**

ОЧИСТКА ЗАСОРЕНИЯ

- Остановите инструмент, извлеките ключ разъединителя и аккумулятор. Убедитесь в полной остановке всех движущихся деталей:
- Всегда надевайте специальные защитные перчатки при проверке и очистке засорения.
- Лезвия острые, блокирующий предмет также может быть острым.
- Снимите травособиратель, проверьте и тщательно очистите засор.
- Проверьте лоток для выгрузки травы на наличие засоров и осторожно очистите.
- Поверните инструмент набок, проверьте его дно и область вокруг лезвия. При обнаружении засоров, осторожно очистите инструмент. Помните, что лезвие может двигаться в процессе очистки.

БУДЬТЕ ВСЕГДА ОСТОРОЖНЫ

Даже когда изделие используют согласно инструкциям, невозможно полностью устранить факторы риска. Следующие опасные факторы могут возникнуть в ходе использования, и оператор должен обращать особое внимание, чтобы избежать следующих опасностей:

- Травмы, вызываемые вибрацией
 - Применяйте инструмент только по своему назначению. Используйте надлежащие ручки и соблюдайте рабочий режим.
- Травма, вызванная шумом.
 - Воздействие шума может привести к повреждению слуха. Носите устройства защиты слуха и ограничивайте продолжительность шумового воздействия.
- травма от контакта с лезвием
- Травма, вызванная отбрасываемыми предметами

СНИЖЕНИЕ РИСКА

Считается, что вибрация ручного инструмента может привести к проявлению у отдельных лиц так называемой болезни Рейно (Raynaud's Syndrome). К симптомам могут относиться

покалывание, онемение и побеление пальцев (как при переохлаждении). Считают, что наследственные факторы, охлаждение и влажность, диета, курение и практический опыт способствуют развитию этих симптомов. Ниже приводятся меры, которые может принять оператор для снижения воздействия вибрации:

- Одевайтесь теплее в холодную погоду. При эксплуатации изделия носите перчатки, чтобы сохранить руки и запястья в тепле. Считается, что холодная погода является основным фактором, способствующим возникновению болезни Рейно (Raynaud's Syndrome).
- После каждого этапа работы выполните упражнения для усиления кровообращения.
- Чаще делайте перерывы в работе. Сократите длительность ежедневного пребывания на открытом воздухе.

При появлении каких-либо из указанных симптомов сразу же прекратите работу и обратитесь по их поводу к врачу.

▲ ОСТОРОЖНО

Слишком продолжительное использование инструмента может привести к травме. При использовании инструмента в течение длительного времени делайте регулярные перерывы.

ИЗУЧИТЕ УСТРОЙСТВО

См. стр. 193.

Детали

1. Рукоятка
2. Кнопка включения/выключения
3. Кнопка пуска
4. Управляющий кабель двигателя
5. Держатель кабеля дистанционного управления двигателем
6. Дверца отсека батареи
7. Фиксатор ручки
8. Индикатор заполнения сборщика срезанной травы
9. Травосборник
10. Крышка лотка для выгрузки травы
11. Ручка блокировки
12. Заднее колесо
13. Рычаг регулирования высоты

- 14. Переднее колесо
- 15. Ключ зажигания
- 16. Аккумулятор
- 17. Зарядное устройство
- 18. Заглушка для мульчирования

УСЛОВНЫЕ ОБОЗНАЧЕНИЯ НА ПРОДУКТЕ



Внимательно прочитайте все инструкции перед началом работы с продуктом, соблюдайте все предупреждения и инструкции по безопасности.



Следует надевать средства защиты органов слуха



Используйте средства защиты органов зрения



Не производите работы на склонах с углом наклона более 15°. Не косить поперек наклонов, никогда вверх и вниз.



Не подвергайте инструмент воздействию дождя и не используйте в условиях повышенной влажности.



Будьте предельно внимательными с острыми лезвиями. Лезвие продолжает вращаться после выключения двигателя - Извлеките изолирующий ключ перед проведением технического обслуживания



Помните об опасности, которую представляют собой отбрасываемые устройством или вылетающие из-под него предметы. Не допускайте приближения посторонних лиц, особенно детей и домашних животных к рабочей зоне ближе чем на 15 м



Существует три уровня регулировки высоты ручки. Проверьте, чтобы трубки были установлены соответствующим образом, особенно на самом высоком уровне. Если ручка установлена неправильно и плохо закреплена, она может выскочить.

Нажмите кнопку Пуск, а затем кнопку включения/выключения (А или В) для запуска устройства. Отпустите кнопку Пуск и держите кнопку включения/выключения нажатой для работы устройства. Отпустите кнопку включения/выключения для останова продукта.



Пуск



Стоп



Перед использованием прибора внимательно ознакомьтесь с данной инструкцией.

Отработанная электротехническая продукция должна уничтожаться вместе с бытовыми отходами.

Утилизируйте, если имеется специальное техническое оборудование. По вопросам утилизации проконсультируйтесь с местным органом власти или предприятием розничной торговли.



Настоящий инструмент отвечает всем официальным стандартам страны ЕС, в которой он был приобретен.



Знак Евразийского
Соответствия
Сертификат Соответствия
№ TC RU C-DE PC52.V.01375
Срок действия Сертификата
Соответствия По 16.09.2023
ООО «Региональный центр
оценки
соответствия» 123060 г.
Москва ул. Маршала
Рыбалко дом 2 корпус 9
помещение 638



Украинский знак
стандартизации



Гарантированный уровень
звуковой мощности,
указанный на настоящей
табличке, составляет 96 дБ.

УСЛОВНЫЕ ОБОЗНАЧЕНИЯ В ДАННОМ РУКОВОДСТВЕ



Детали или принадлежности,
приобретаемые отдельно



Примечание



Осторожно

Следующие сигнальные слова и значения предназначены для того, чтобы объяснить уровень риска, связанного с этим изделием:

ОПАСНО

Указывает неизбежно опасную ситуацию, которая, если не избежать, кончится смертельным или серьезным ущербом.

ОСТОРОЖНО

Указывает потенциально опасную ситуацию, которая, если не избежать, может кончатся смертельным или серьезным ущербом.

ПРЕДОСТЕРЕЖЕНИЕ

Указывает потенциально опасную ситуацию, которая, если не избежать, может кончатся малым или уменьшенным ущербом.

ПРЕДОСТЕРЕЖЕНИЕ

(Без Символа Тревоги Безопасности)

Указывает ситуацию, которая может кончатся повреждением собственности.

ТРАНСПОРТИРОВКА:

Категорически не допускается падение и любые механические воздействия на упаковку при транспортировке.

При разгрузке/погрузке не допускается использование любого вида техники, работающей по принципу зажима упаковки.

ХРАНЕНИЕ:

Необходимо хранить в сухом месте.

Необходимо хранить вдали от источников повышенных температур и воздействия солнечных лучей.

При хранении необходимо избегать резкого перепада температур.

Хранение без упаковки не допускается.

СРОК СЛУЖБЫ ИЗДЕЛИЯ:

Срок службы изделия составляет 5 лет.

Не рекомендуется к эксплуатации по истечении 5 лет хранения с даты изготовления без предварительной проверки.

Дата изготовления (код даты) отштампован на поверхности корпуса изделия.

Пример:

W17 Y2015, где Y2015 - год изготовления

W17 – неделя изготовления

Определить месяц изготовления можно согласно приведенной ниже таблице, на примере 2015 года.

Обратите внимание! Количество недель в месяце различается от года в год.

Месяц	Январь	Февраль	Март	Апрель	Май	Июнь	Июль	Август	Сентябрь	Октябрь	Ноябрь	Декабрь	Год
Неделя	01	05	09	14	18	22	27	31	36	40	44	49	2015
	02	06	10	15	19	23	28	32	37	41	45	50	
	03	07	11	16	20	24	29	33	38	42	46	51	
	04	08	12	17	21	25	30	34	39	43	47	52	
	05	09	13	18	22	26	31	35	40	44	48	53	
			14			27							

W przypadku kosiarka bezprzewodowa zwrócono szczególną uwagę na zapewnienie bezpieczeństwa, wysokiej wydajności oraz niezawodności.

PRZEZNACZENIE URZĄDZENIA

Bezprzewodowa kosiarka do trawy przeznaczona jest do stosowania wyłącznie poza pomieszczeniami.

Urządzenie jest przeznaczone tylko i wyłącznie do koszenia trawy na przydomowych trawnikach. Ostrze tnące powinno obracać się mniej więcej równoległe do podłoża, nad którym przejeżdża. Podczas koszenia trawy wszystkie cztery koła muszą dotykać podłoża. Jest to kontrolowana przez użytkownika kosiarka popychana przez użytkownika.

Produkt nigdy nie może być używany, gdy koła nie mają kontaktu z ziemią. Nie należy ciągnąć kosiarki ani jeździć na niej. Należy go używać tylko i wyłącznie do koszenia trawy na przydomowych trawnikach.

Nie używać do żadnych innych celów.

OGÓLNE OSTRZEŻENIA DOTYCZĄCE BEZPIECZEŃSTWA

⚠ OSTRZEŻENIE

Podczas używania tego urządzenia należy przestrzegać odpowiednich zasad bezpieczeństwa. Aby zapewnić bezpieczeństwo sobie i osobom postronnym, przed przystąpieniem do użytkowania urządzenia należy zapoznać się z niniejszą instrukcją. Niniejszą instrukcję należy przechowywać w bezpiecznym miejscu do późniejszego użytku.

⚠ OSTRZEŻENIE

Używać produktu wyłącznie z akumulatorami wymienionymi w niniejszej instrukcji. W przypadku korzystania z urządzeń akumulatorowych należy zawsze przestrzegać podstawowych zasad bezpieczeństwa w celu ograniczenia ryzyka pożaru, wycieku elektrolitu z akumulatorów oraz obrażeń ciała.

BEZPIECZEŃSTWO OSOBISTE

- Produkt może doprowadzić do amputacji dłoni i stóp, a ponadto może miotać

przedmiotami. Nieprzestrzeżenie wszelkich zasad bezpieczeństwa grozi poważnym zranieniem lub śmiercią.

- Należy zapoznać się z przyrządami sterowania oraz zasadami prawidłowej obsługi produktu.
- Nie wolno pozwalać obsługiwać, czyścić ani konserwować tego urządzenia dzieciom lub osobom o ograniczonych zdolnościach fizycznych, sensorycznych lub umysłowych ani osobom, które nie przeczytały tych instrukcji. Lokalne przepisy mogą ograniczać dopuszczalny wiek operatora. Należy dopilnować, aby dzieci nie bawiły się produktem.
- Podczas eksploatacji produktu należy być czujnym, obserwować to, co się robi i zachować rozsądek. Nie wolno obsługiwać tego urządzenia w stanie zmęczenia, choroby, będąc pod wpływem alkoholu, środków odurzających lub leków. Utrata koncentracji podczas pracy urządzenia może spowodować poważne obrażenia ciała.
- Nosić ciężkie, długie spodnie, długie rękawy, a także solidne, antypoślizgowe obuwie. Nie nosić krótkich spodni i sandałów, ani nie pracować z bosymi stopami. Unikać zakładania luźnej odzieży, ze sznurkami lub krawatem.
- Podczas pracy należy mieć założone okulary ochronne z osłonami bocznymi.
- Zawsze należy pewnie stać na ziemi, szczególnie przy poruszaniu się na zboczach. Stojąc, należy zachować stabilność i równowagę. Podczas pracy należy chodzić, nie wolno biegać.
- Produkt należy prowadzić w poprzek zbocza, a nie pod górę lub z góry. Zachować szczególną ostrożność podczas zmiany kierunku jazdy na pochyłym terenie.
- Nie używać produktu w pobliżu urwisk, rowów, zbyt stromych zboczy lub nabrzeży. Brak pewnego oparcia dla stóp grozi poślizgiem i upadkiem.

OTOCZENIE ROBOCZE

- Nigdy nie należy używać produktu, gdy inne osoby, a w szczególności dzieci lub zwierzęta, znajdują się w zakresie 15 metrów, ponieważ występuje ryzyko odrzucenia przedmiotów na skutek kontaktu z ostrzem.



- Obiekty uderzone przez tarczę tnącą mogą być przyczyną poważnego zranienia osób. Dokładnie sprawdzić obszar, na którym będzie używane urządzenie i usunąć wszystkie kamienie, gałęzie, przewody, kości, zabawki i inne przedmioty obcego pochodzenia. Należy pamiętać, że żyłka lub linka może zaplątać się o ostrze.
 - Produkt należy obsługiwać wyłącznie przy świetle dziennym lub przy odpowiednim sztucznym oświetleniu.
 - Nie używać urządzenia w atmosferze wybuchowej, np. w obecności łatwopalnych cieczy, gazów i pyłów. Narzędzie może wytwarzać iskry, co może spowodować zapłon pyłu lub oparów.
 - Nie używać narzędzia na mokrej trawie lub podczas deszczu.
 - Nie wolno używać produktu, gdy występuje ryzyko burzy lub wyładowań atmosferycznych.
 - Należy pamiętać, że operator lub użytkownik jest odpowiedzialny za spowodowanie wypadku lub zagrożenia bezpieczeństwa osób i mienia.
 - Może dojść do tragicznego wypadku, jeśli operator nie zauważy obecności dzieci. Kosiarka i proces koszenia często przyciąga uwagę dzieci. Nie wolno nigdy zakładać, że dzieci pozostają tam, gdzie je ostatnio widziano.
 - Trzymać dzieci z dala od koszonego terenu, pod staranną opieką odpowiedzialnej, innej niż operator osoby dorosłej, a ponadto zachować ostrożność i wyłączać produkt, gdy na koszonym terenie znajdzie się dziecko.
 - Zachować szczególną ostrożność w trakcie zbliżania się do narożników ograniczających widoczność, krzewów, drzew lub innych obiektów, które mogą ograniczać widoczność, w tym zwisających roślin.
- ## UŻYTKOWANIE I OBSŁUGA AKUMULATORA
- Należy przeczytać, zrozumieć i zawsze przestrzegać instrukcji bezpieczeństwa dostarczonych z akumulatorem i ładowarką. W przeciwnym razie może dojść do porażenia prądem, pożaru lub innej niebezpiecznej sytuacji. Wszystkie instrukcje należy przechowywać razem w bezpiecznym miejscu w celu wykorzystania w przyszłości.
 - Urządzenia akumulatorowe nie muszą być podłączone do gniazda elektrycznego i w związku z tym zawsze są gotowe do pracy. Jeśli produkt nie jest używany, należy wyjąć klucz zabezpieczający.
 - Przed rozpoczęciem regulacji, czyszczenia lub usuwania materiału z urządzenia należy wyjąć akumulator.
 - Przed umieszczeniem akumulatora upewnić się, że klucz odłącznika został wyciągnięty.
 - Akumulator może być ładowany wyłącznie za pomocą ładowarki dostarczonej przez producenta. Użycie ładowarki z niezgodnym akumulatorem może być przyczyną pożaru. Do ładowania akumulatora stosować wyłącznie zalecaną ładowarkę.
 - Używać wyłącznie akumulatora przeznaczonego do tego urządzenia. Używanie innych akumulatorów może spowodować pożar, porażenie prądem lub obrażenia ciała.
 - **Gdy akumulator nie jest używany, przechowywać go z dala od innych metalowych przedmiotów, np. spinaczy, monet, kluczy, gwoździ, śrub lub innych małych metalowych przedmiotów, które mogłyby utworzyć połączenie między stykami, prowadząc do zwarcia.** Zwarcie styków akumulatora może spowodować iskrzenie, oparzenia, pożar lub eksplozję.
 - Nie umieszczaj urządzeń akumulatorowych ani samych akumulatorów w pobliżu ognia lub źródeł ciepła. Przestrzeganie tego zalecenia pozwoli zmniejszyć ryzyko eksplozji i zranienia.
 - Nie otwierać i nie modyfikować akumulatora. Wyciekający elektrolit jest czynnikiem korozyjnym i może powodować urazy oczu lub skóry. W razie poknięcia może być toksyczny.
 - Chronić akumulator przed wilgocią i wodą. Nie ładować akumulatora w wilgotnym lub mokrym miejscu. Przestrzeganie tej zasady zmniejsza ryzyko porażenia prądem.
 - W przypadku uszkodzenia i nieprawidłowego użytkowania akumulatora może dojść do emisji oparów. Należy udać się na świeże powietrze i w razie



dolegliwości uzyskać pomoc medyczną. Opary mogą podrażnić układ oddechowy.

- Nie wolno pozostawiać akumulatora w samochodzie przy wysokiej lub niskiej temperaturze.
- Nie wolno wrzucać akumulatora do ognia.
- W przypadku niewłaściwej obsługi może dojść do wycieku płynu z akumulatora, należy unikać kontaktu z tym płynem. Miejsce ewentualnego kontaktu przepłukać wodą. W przypadku, gdy płyn dostanie się do oczu, po przemyciu zwrócić się o pomoc do lekarza. Płyn wyciekający z akumulatora może powodować podrażnienia i oparzenia.

OSTRZEŻENIA DOTYCZĄCE BEZPIECZEŃSTWA ZWIĄZANEGO Z KOSIARKĄ

- Przed użyciem zawsze sprawdzić wizualnie, czy ostrza, śruby ostrza oraz zespół tnący nie są zużyte lub uszkodzone.
- Wymienić zużyte lub uszkodzone całe zestawy ostrzy i śrub, aby zachować wyważenie.
- Ostrze produktu jest ostre. Przy montażu, wymianie, czyszczeniu lub kontroli dokręcenia śrub należy zachować szczególną ostrożność i nosić grube rękawice ochronne.
- Jeśli etykiety są uszkodzone lub nieczytelne, należy zwrócić produkt do punktu serwisowego w celu wymiany etykiet.
- Systematycznie sprawdzać, czy wszystkie nakrętki, wkręty i śruby są dobrze dokręcone, aby upewnić się, że kosiarka jest w bezpiecznym stanie.
- Należy regularnie sprawdzać kosz na trawę pod względem zużycia lub uszkodzeń.
- Wymienić zużyte lub uszkodzone części przed rozpoczęciem pracy z produktem.
- Produkt można uruchomić wyłącznie wtedy, gdy użytkownik znajduje się za uchwytami w bezpiecznej strefie użytkownika. Nie wolno uruchamiać produktu, jeśli:
 - wszystkie cztery koła nie znajdują się na ziemi
 - kanał wyrzutu trawy jest odsłonięty, a ponadto nie jest chroniony przez pojemnik na trawę oraz pokrywę kanału

wyrzutu trawy

- dłonie i stopy wszystkich osób znajdują się w pobliżu ostrzy
- Nigdy nie wolno obsługiwać produktu, jeśli włącznik/wyłącznik na uchwycie nie działa prawidłowo i nie zapewnia prawidłowego uruchamiania i zatrzymywania produktu.
- Nigdy nie wolno blokować włączników/wyłączników w położeniu włączenia (ON). Jest to bardzo niebezpieczne.
- Nie przeciążać urządzenia. Urządzenie będzie najwydajniejsze i najbezpieczniejsze w obsłudze, jeśli będzie używane zgodnie z zamierzonymi parametrami pracy.
- Przed przejechaniem przez podłoże zwirowe zatrzymać ostrze.
- Nie należy ciągnąć produktu do tyłu, chyba że jest to absolutnie konieczne. Jeżeli trzeba odsunąć urządzenie do tyłu od ściany lub przeszkody, należy najpierw spojrzeć w dół i do tyłu, aby uniknąć przewrócenia lub najechania urządzeniem na swoje stopy.
- Wyłączyć silnik i odczekać, aż ostrze zatrzyma się, jeśli kosiarka musi być przechylone do transportu, podczas przejeżdżania przez podłoża nietrawiaste oraz podczas transportu kosiarki do i z obszaru koszenia.
- Nie wolno używać urządzenia z uszkodzonymi osłonami lub pokrywami lub bez elementów zabezpieczających lub bez pojemnika na odpadki.
- Nie przechylać produktu w trakcie włączania lub pracy silnika. Jeśli jest to absolutnie konieczne, można podnieść przód kosiarki o nie więcej niż 5 cm, aby umożliwić łatwiejszy rozruch. W tym celu należy nacisnąć uchwyt kosiarki w dół. Przed przystąpieniem do koszenia zawsze ponownie ustawić kosiarkę w normalnym położeniu, ze wszystkimi kołami na ziemi. Przechylenie kosiarki powoduje odsłonięcie noża i zwiększa prawdopodobieństwo wyrzutu przedmiotów oraz przypadkowego kontaktu z nożem.
- Ostrożnie włączyć silnik zgodnie z instrukcją i trzymać dłonie oraz stopy z dala od ostrzy. Nie umieszczać rąk lub nóg w pobliżu lub pod częściami obrotowymi.
- Nigdy nie wolno podnosić ani przenosić produktu, gdy silnik pracuje.

■ Zatrzymać produkt oraz wyjąć kluczyk odłączający i akumulator. Upewnić się, że wszystkie elementy ruchome zostały całkowicie zatrzymane:

- w przypadku pozostawiania produktu bez nadzoru (również w przypadku opróżniania kosza).
- przed oczyszczeniem mechanizmu z blokujących go resztek lub udrożnieniem kanału wyrzutowego
- przed sprawdzeniem, czyszczeniem i użytkowaniem produktu,
- przed odłączeniem kosza na trawę lub przed otwarciem pokrywy wyrzutu trawy
- po uderzeniu obcego obiektu; należy sprawdzić urządzenie pod kątem uszkodzeń i w razie potrzeby dokonać niezbędnych napraw przed uruchomieniem i kontynuowaniem pracy,
- jeśli produkt zacznie wibrować w nietypowy sposób (należy natychmiast przeprowadzić kontrolę).
 - w przypadku sprawdzania stanu elementów, szczególnie ostrzy
 - wymienić lub naprawić wszystkie uszkodzone elementy
 - sprawdzić, czy nie ma obluzowanych elementów i w razie potrzeby dokręcić je

■ Unikać dziur, korzeni, skał, wybrzuszeń terenu i innych ukrytych w trawie obiektów. Nierówny teren grozi poślizgiem i upadkiem.

■ Podczas montażu lub składania uchwytu zawsze należy upewnić się, że kabel sterowania silnika nie jest przytrzaśnięty, zakleszczony lub uszkodzony w inny sposób.

AKUMULATOR — DODATKOWE OSTRZEŻENIA DOTYCZĄCE BEZPIECZEŃSTWA

⚠ OSTRZEŻENIE

Aby uniknąć niebezpieczeństwa pożaru, obrażeń lub uszkodzeń produktu na skutek zwarcia, nie wolno zanurzać narzędzia, akumulatora wymiennego ani ładowarki w cieczach i należy zatroszczyć się o to, aby do urządzeń i akumulatorów nie dostały się żadne ciecze. Zwarcie spowodować mogą korodujące lub przewodzące ciecze, takie jak woda morska, określone chemikalia i wybielacze lub produkty zawierające wybielacze.

FUNKCJE PRODUKTU

ZABEZPIECZENIE PRZED PRZECIĄŻENIEM I PRZEGRZANIEM

Produkt posiada urządzenie zabezpieczające przed przeciążeniem. W przypadku wykrycia przeciążenia produkt automatycznie się wyłączy. W przypadku uruchomienia zabezpieczenia przeciążeniowego należy zwolnić przycisk włączania/wyłączania. Nacisnąć przycisk włączania/wyłączania, aby ponownie uruchomić produkt.

Akumulator jest wyposażony w zabezpieczenie przeciążeniowe. Nadmierna temperatura może spowodować wyłączenie elektronarzędzia przez akumulator. Sprawdzić akumulator: jeśli jest zbyt ciepły, przed wznowieniem pracy pozostawić do ostygnięcia. Jeśli elektronarzędzie nadal nie działa, należy naładować akumulator.

UWAGA: Wskaźnik LED akumulatora nie będzie świecić, jeśli układ zabezpieczający akumulator odetnie zasilanie elektronarzędzia. Zwolnić przycisk włącznika lub wyjąć akumulator z produktu, a wskaźnik LED akumulatora ponownie zacznie prawidłowo działać.

PODSTAWOWE WSKAZÓWKI DOTYCZĄCE KOSZENIA TRAWY

Czas pracy akumulatora zależy od stanu, długości i gęstości trawy.

Ustawić wysokość cięcia kosiarki z uwzględnieniem stanu koszonego trawnika.

Stan trawy	Sugerowane ustawienie wysokości		Zakres (maks.)	
	Pierwsze koszenie	Kolejne koszenia	Akumulator 4 Ah	Akumulator 5 Ah
Bardzo rzadka/sucha	3	2	200 m ²	250 m ²
Rzadka/sucha	4	3 → 2	150 m ²	200 m ²
Średnia/gęsta	5	4 → 3	100 m ²	150 m ²

* Akumulator: RB18L40

- Aby utrzymać trawnik w doskonałym stanie, zawsze należy ścinać maksymalnie jedną trzecią całkowitej wysokości trawy.
- Podczas koszenia wysokiej trawy, należy zmniejszyć prędkość przesuwu co pozwoli zwiększyć efektywność koszenia i zapewni prawidłowe wyrzucanie skoszonej trawy.
- Nie należy ścinać mokrej trawy, ponieważ przylgnie ona do spodu urządzenia, uniemożliwiając prawidłowe zbieranie i wyrzut trawy.
- Świeża lub gruba trawa może wymagać ustawienia wyższej wysokości koszenia.
- Jeżeli skoszona trawa ma być gromadzona w celu usunięcia, należy zdemontować przystawkę mulczującą i zamontować kosz na trawę, upewniając się, że kłapa wylotu trawy jest należycie domknięta. Należy regularnie opróżniać kosz na trawę; w przeciwnym razie otwór wylotowy zostanie zablokowany ściętą trawą.
- Jeśli w przypadku podkaszania trawy ścinki mają pozostać na trawniku, należy zamontować przystawkę mulczującą i zamknąć pokrywę wylotu trawy. W takiej konfiguracji zakładanie kosza na trawę nie jest konieczne.
- Produkt przeznaczony jest do pracy w ruchu w przód i wtedy też kosi najefektywniej.
- Wyższe ustawienie wysokości koszenia wydłuży żywotność akumulatora.

TRANSPORT I PRZECHOWYWANIE

- Zatrzymać produkt oraz wyjąć kluczyk odłączający i akumulator. Upewnić się, że wszystkie elementy ruchome zostały całkowicie zatrzymane. Przed rozpoczęciem składowania lub przewozu pojazdem poczekać, aż produkt ostygnie.
- Usunąć z produktu wszelkie

zanieczyszczenia. Należy przechowywać urządzenie w chłodnym, suchym i dobrze wentylowanym miejscu, które jest niedostępne dla dzieci. Należy trzymać produkt z dala od czynników powodujących korozję, takich jak ogrodnicze środki chemiczne czy sól do odmrażania. Nie przechowywać na zewnątrz.

- Na czas transportu w pojeździe wyjąć kluczyk rozłączający i zabezpieczyć produkt przed przemieszczaniem się lub upadkiem w celu zapobieżenia obrażeniom osób lub uszkodzeniu produktu.

⚠ OSTRZEŻENIE

Należy zachować bardzo wysoką ostrożność podczas podnoszenia lub przechylania produktu w celu konserwacji, czyszczenia, przechowywania lub transportu — nóż jest ostry i w związku z tym należy trzymać wszystkie części ciała z dala od niego, gdy jest odsłonięty.

TRANSPORTOWANIE AKUMULATORÓW LITOWYCH

Akumulatory należy transportować zgodnie z lokalnymi i krajowymi przepisami i regulacjami. Należy postępować zgodnie z wszystkimi specjalnymi wymaganiami dotyczącymi pakowania i etykietowania akumulatorów podczas transportu przez stronę trzecią. Upewnij się, że żadne akumulatory nie zetkną się z innymi akumulatorami lub materiałami przewodzącymi podczas transportu; w tym celu należy zabezpieczyć odkryte złącza nieprzewodzącymi nakładkami izolacyjnymi lub taśmą izolacyjną. Nie należy transportować pękniętych ani nieszczelnych akumulatorów. Szczegółowe porady można uzyskać w firmie spedycyjnej.

KONSERWACJA

⚠ OSTRZEŻENIE

Należy stosować wyłącznie oryginalne części zamienne, akcesoria oraz przystawki producenta. W przeciwnym razie może dojść do obrażeń ciała, niskiej wydajności oraz do unieważnienia gwarancji.

⚠ OSTRZEŻENIE

Serwisowanie wymaga wyjątkowej staranności i wiedzy. Może być wykonywane wyłącznie przez wykwalifikowany personel serwisowy. Serwisowanie należy powierzać wyłącznie autoryzowanemu serwisowi. Do serwisowania należy stosować wyłącznie oryginalne części zamienne producenta.

- Zatrzymać produkt oraz wyjąć kluczyk odłączający i akumulator. Przed przystąpieniem do czyszczenia lub konserwacji zawsze upewnić się, że wszystkie części ruchome całkowicie się zatrzymały.
- Możesz wykonywać czynności regulacyjne i naprawcze opisane tutaj. W przypadku innych napraw lub pytań należy zwrócić się o pomoc do autoryzowanego punktu serwisowego.
- Ze względów bezpieczeństwa, należy wymieniać elementy zużyte lub uszkodzone.
- Systematycznie kontrolować zbiornik na trawę na oznaki zużycia lub uszkodzenia.
- Po każdym użyciu należy oczyścić produkt za pomocą miękkiej, suchej ściereczki. Każda uszkodzona część musi zostać naprawiona lub wymieniona w autoryzowanym serwisie.
- Systematycznie sprawdzać, czy wszystkie nakrętki, wkręty i śruby są dobrze dokręcone, aby upewnić się, że produkt jest w bezpiecznym stanie.
- Zachować ostrożność podczas regulacji urządzenia, aby uniknąć pochwycenia palców między ruchomymi ostrzami a elementami stałymi urządzenia.
- Podczas serwisowania ostrzy tnących należy pamiętać, że mimo odłączenia źródła zasilania ostrza mogą nadal się poruszać.
- Ostrze produktu jest ostre. Przy montażu, wymianie, czyszczeniu lub kontroli dokręcenia śrub należy zachować szczególną ostrożność i nosić grube rękawice ochronne.
- Wymienić zużyte lub uszkodzone całe zestawy ostrzy i śrub, aby zachować wyważenie.
- Śruby noża muszą być odpowiednio

dokręcone. **Należy zapoznać się z zaleceniami producenta dotyczącymi momentu obrotowego dokręcania śruby noża, które można znaleźć w tabeli ze specyfikacją produktu w niniejszej instrukcji.**

USUWANIE ZABLOKOWANYCH ELEMENTÓW

- Zatrzymać produkt oraz wyjąć kluczyk odłączający i akumulator. Upewnić się, że wszystkie elementy ruchome zostały całkowicie zatrzymane.
- Przed sprawdzeniem stanu i usuwaniem zablokowanych materiałów zawsze należy zakładać grube rękawice ochronne.
- Noże są ostre, a przyczyną blokady również może być ostry przedmiot.
- Zdemontować pojemnik na trawę, sprawdzić, czy nie ma przeszkód, a także ostrożnie je usunąć.
- Sprawdzić kanał wyrzutu trawy pod kątem braku blokad i ostrożnie go oczyścić.
- Obrócić produkt na bok i sprawdzić jego spód oraz obszar wokół noża. Ostrożnie usunąć wszelkie znalezione blokady. Należy pamiętać, że nóż może przemieszczać się w trakcie czyszczenia.

RYZIKO ZWIĄZANE Z UŻYTKOWANIEM

Nawet jeśli produkt jest używany zgodnie z zaleceniami, nadal nie jest możliwe wyeliminowanie określonych czynników ryzyka. Następujące zagrożenia mogą wystąpić podczas używania urządzenia i operator powinien zwracać szczególną uwagę na poniższe punkty:

- Urazy ciała spowodowane przez wibrację
 - Zawsze należy używać odpowiedniego narzędzia do danej pracy. Korzystać z przeznaczonych do tego uchwytów i stosować się do zaleceń dotyczących czasu pracy i narażenia.
- Urazy ciała spowodowane hałasem
 - Narażenie na hałas może spowodować zaburzenia słuchu. Należy stosować środki ochrony słuchu i ograniczyć czas narażenia na hałas.
- Urazy ciała spowodowane kontaktem z ostrzem
- Urazy powodowane przez miotane przedmioty

EN
FR
DE
ES
IT
NL
PT
DA
SV
FI
RU
NO
PL
CS
HU
RO
LV
LT
ET
HR
SL
SK
BG
UK
TR

OGRANICZENIE RYZYKA

Badania dowodzą, że wibracje powodowane przez narzędzia ręczne mogą wywoływać u niektórych osób objawy syndromu Raynauda. Typowe objawy to mrowienie, drętwienie i blednięcie palców, widoczne zwykle po wystawieniu na działanie zimna. Uważa się, że do objawów tych przyczyniają się uwarunkowania genetyczne, narażenie na zimno i wilgoć, dieta, palenie i procedury pracy. Istnieją działania, które może podjąć operator maszyny w celu ograniczenia skutków emisji drgań:

- Zadbaj w niskich temperaturach o ciepłotę własnego ciała, zakładając odpowiednie ubranie. Podczas obsługi produktu należy nosić rękawice, aby dłonie i nadgarstki były ciepłe. Wiadomo, że niskie temperatury są główną przyczyną powstawania objawu Raynauda.
- Podczas przerw w pracy należy wykonywać ćwiczenia poprawiające krążenie krwi..
- Podczas pracy robić częste przerwy. Ograniczyć ekspozycję w ciągu dnia.

W razie doświadczenia dowolnego z wymienionych objawów, należy niezwłocznie zaprzestać użytkowania tego urządzenia i skontaktować się z lekarzem.

⚠ OSTRZEŻENIE

Długotrwałe użytkowanie narzędzia może spowodować obrażenia ciała lub nasilić dolegliwości zdrowotne. W przypadku używania narzędzia przed dłuższy czas należy pamiętać o regularnych przerwach.

ZAPOZNAJ SIĘ ZE SWOIM PRODUKTEM

Patrz str. 193.

Części

1. Rękojeść
2. Przycisk włączania/wyłączania
3. Przycisk uruchamiania
4. Kabel sterujący silnika
5. Uchwyt kabla sterującego silnika
6. Drzwi akumulatora
7. Pokrętko
8. Wskaźnik pełnego kosza trawy
9. Kosz na trawę
10. Kłapa wylotu trawy
11. Blokada uchwytu

12. Koło tylne
13. Dźwignia regulacji wysokości
14. Koło przednie
15. Klucz odłącznika
16. Akumulator
17. Ładowarka
18. Korek ściółkowania

SYMBOLE UMIESZCZONE NA PRODUKCIE



Należy przeczytać i zrozumieć wszystkie instrukcje przed rozpoczęciem obsługi produktu oraz przestrzegać wszystkich ostrzeżeń i instrukcji dotyczących bezpieczeństwa.



Nosić środki ochrony słuchu



Zakładać środki ochrony wzroku



Nie używać na pochyłościach większych niż 15°. Pochyle tereny należy kosić wzdłuż zbocza, nigdy do góry i w dół.



Nie wystawiać urządzenia na działanie deszczu ani nie używać w miejscach o dużej wilgotności.



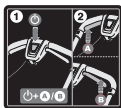
Uwaga na ostre ostrza. Ostrza nadal obracają się po wyłączeniu silnika – przed konserwacją należy wyjąć kluczyk zabezpieczający.



Uwaga na odrzucane przedmioty. Wszystkie osoby postronne, a szczególnie dzieci i zwierzęta, muszą znajdować się w odległości przynajmniej 15 metrów od miejsca pracy.



Uchwyt można ustawić na trzech poziomach wysokości. Sprawdzić, czy rury są prawidłowo włożone — zwłaszcza na najwyższym poziomie. Uchwyt może wyslizgnąć się z otworów, jeśli nie jest prawidłowo włożony i zablokowany.



Nacisnąć przycisk Start, a następnie przycisk włączania/wyłączania (A lub B), aby uruchomić produkt. Zwolnić przycisk Start i przytrzymać naciśnięty przycisk włączania/wyłączania, aby produkt był uruchomiony. Zwolnij przycisk wł.-wyl., aby zatrzymać produkt.



Jedź



Zatrzymaj



Przed uruchomieniem urządzenia prosimy uważnie przeczytać instrukcję.



Zużyte produkty elektryczne nie powinny być utylizowane z odpadami domowymi. Prosimy poddawać recyklingowi w odpowiednich miejscach. Informacje o właściwych metodach recyklingu można uzyskać u władz lokalnych lub sprzedawcy.



ono zakupione. Produkt spełnia wszystkie wymagania norm w kraju należącym do Unii Europejskiej, gdzie produkt został zakupiony.



Oznaczenie zgodności EurAsian



Ukraiński znak zgodności



Podany na tej etykiecie gwarantowany poziom dźwięku to 96 dB.

⚠ NIEBEZPIECZEŃSTWO

Wskazuje na realne zagrożenie, które może spowodować śmierć lub poważne zranienie, jeżeli się nie uniknie tego niebezpieczeństwa.

⚠ OSTRZEŻENIE

Wskazuje na potencjalne zagrożenie, które może spowodować śmierć lub poważne zranienie, jeżeli się nie uniknie tego niebezpieczeństwa.

⚠ UWAGA

Wskazuje na potencjalne zagrożenie, które może spowodować mniejsze lub bardziej poważne zranienie, jeżeli się nie uniknie tego niebezpieczeństwa.

UWAGA

(Bez symbolu bezpieczeństwa) Wskazuje na sytuację mogącą spowodować straty materialne.

SYMBOLE STOSOWANE W NINIEJSZEJ INSTRUKCJI



Części lub akcesoria sprzedawane osobno



Uwaga



Ostrzeżenie!

Następujące wyrażenia i znaczenia wyrażają poziom zagrożenia związanego z tym produktem:

Bezpečnost, výkon a spolehlivost byli hlavní prioritou při návrhu vašeho akumulátorového řízce.

ZAMÝŠLENÉ POUŽITÍ

Akumulátorová sekačka je určena pouze k venkovnímu použití.

Tento výrobek je určen jen pro domácí sečení trávy. Sekací nůž se musí otáčet víceméně rovnoběžně s plochou země, po které se jede. Všechna čtyři kola se musí během sečení dotýkat země. Jedná se o pěstí řízenou sekačku vedenou za chůze navrženou pro ruční tlačení.

Výrobek se nesmí provozovat s koly nad zemí. Sekačku nesmíte tahat ani na ní jezdit. Nesmí se používat pro jiné účely než sečení trávníků v domácím prostředí.

Přístroj nepoužívejte ji k jiným účelům.

VŠEOBECNÁ BEZPEČNOSTNÍ VAROVÁNÍ

▲ VAROVÁNÍ

Při používání výrobku musí být dodrženy bezpečnostní předpisy. Pro vaši vlastní bezpečnost i bezpečnost kolemjdoucích si přečtěte tento návod k obsluze. Tyto pokyny uschovejte pro příští použití.

▲ VAROVÁNÍ

Výrobek používejte pouze s baterií uvedenou v této příručce. Pokud používáte elektricky poháněné přístroje, měly byste dodržovat základní bezpečnostní předpisy za účelem snížení nebezpečí požáru, elektrického úrazu nebo osobní újmy.

OSOBNÍ BEZPEČNOST

- Tato sekačka na trávu může amputovat končetiny a odmršťovat předměty. Pochybení při dodržování všech bezpečnostních pokynů tak může způsobit úraz nebo usmrcení.
- Seznamte se s ovládním a řádným používáním nástroje.
- Produkt není určen pro používání osobami, včetně dětí se sníženými tělesnými, smyslovými nebo duševními schopnostmi nebo s nedostatkem zkušeností a

znalostí, pokud neprošli školením ohledně používání, čištění či údržby. Místní předpisy mohou omezovat dobu obsluhy. Dohlédněte, aby si děti se spotřebičem nehrály.

- Buďte ve střehu, hlídejte, co děláte a používejte zdravý rozum při provozu tohoto výrobku. Nepoužívejte, pokud jste unaveni nebo pod vlivem drog, alkoholu nebo léků. Chvilku nepozornosti při práci s tímto výrobkem může zapříčinit vážná osobní poranění.
- Používejte pevné dlouhé kalhoty, dlouhý rukáv a pevnou protiskluzovou obuv. Nenoste krátké kalhoty ani sandály, nebuďte naboso. Zamezte nošení volných oděvů, nebo které mají vlající šňůrky nebo pásky.
- Vždy noste bezpečnostní brýle s postranními štítky.
- Vždy na svazích zabezpečte své pevné postavení. Udržujte bezpečné postavení a rovnováhu. Chodte, nikdy neběhejte.
- Na strmých svazích používejte výrobek po vrstevnicích, nikdy ve směru nahoru a dolů. Je třeba opatrnosti, když měníte směr na svahu.
- Nesečte v blízkosti srázů, prudkých svahů, příkopů nebo hrází. Nedostatečné postavení může způsobit uklouznutí a pád.

PRACOVNÍ PROSTŘEDÍ

- Nikdy nepoužívejte výrobek, když se lidé, zejména děti, nebo domácí zvířata, zdržují do vzdálenosti 15 m od sekačky z důvodu nebezpečí vymrštění předmětů kontaktovaných nožem.
- Předměty vymrštěné nožem sekačky mohou způsobit vážná poranění osob. Řádně prohlédněte oblast, kde se má nástroj používat a odstraňte všechny kameny, kůly, kovy dráty, kosti, hračky a cizí předměty. Nezapomeňte, že se může zamotat do žacího zařízení řetěz nebo drát.
- Používejte výrobek pouze ve dne nebo v dobrém umělém osvětlení.
- Nepracujte s tímto strojem ve výbušných prostředích, například v přítomnosti hořlavých kapalin, plynů nebo prachu. Nástroj vytváří jiskry, které mohou zapálit prach nebo výpary.
- Nepoužívejte stroj v dešti nebo ve vlhké

trávě.

- Zařízení nepoužívejte, hrozí-li nebezpečí blesku.
- Uživatel nebo obsluha tohoto zahradnického nástroje je zodpovědná za nehody nebo nebezpečí způsobená na jiné osobě nebo jejich majetku.
- Mohou nastat tragické nehody, pokud není obsluha upozorněna na přítomnost dětí. Děti jsou strojem a sekáním často zaujaty. Nikdy nespolehejte na to, že děti zůstanou tam, kde jste je naposledy viděli.
- Udržujte děti mimo sečenou oblast a pod kontrolou zodpovědné dospělé osoby, která sekačku nepoužívá. Buďte ve střehu a pokud se dítě v sečené oblasti naskytne, výrobek vypněte.
- Dbejte zvýšené pozornosti při sekání nepřehledných koutů, keřů, stromů a jiných předmětů včetně převislých keřů, které vám mohou zaclánět ve výhledu.

POUŽITÍ A PÉČE O NÁSTROJ NA BATERIE

- Přečtěte, pochopte a vždy dodržujte bezpečnostní pokyny dodané k akumulátoru a nabíječce. Nedodržování těchto pokynů může způsobit úraz elektrinou, požár či jiná nebezpečí. Tento návod k používání uložte na bezpečném místě k pozdějšímu nahlížení.
- Přístroje na akumulátory se nepřipojují do elektrické sítě; proto jsou vždy v provozním stavu. Odeberte odpojovací klíč, když nepracujete s výrobkem.
- Před prováděním jakékoliv údržby, seřizováním, odstraňováním materiálu nebo před čištěním výrobku vytáhněte akumulátor.
- Zkontrolujte, že je odpojovací klíč před vložením akumulátoru vyjmut.
- Dobíjejte akumulátor pouze nabíječkou určenou výrobcem. Použití nekompatibilní baterie s nabíječkou může způsobit nebezpečí požáru. Akumulátor používejte pouze s nabíječkou v seznamu.
- Výrobek používejte pouze s přesně určeným akumulátorem. Použití jakéhokoliv jiného akumulátoru může způsobit nebezpečí poranění, úrazu elektrinou a požáru.
- **Pokud akumulátor nepoužíváte, uchovávejte jej mimo kovové předměty jako svorky pro papír, mince, klíče,**

hřebíky, šrouby nebo jiné malé kovové předměty, které mohou vytvořit propojení jednoho vývodu s druhým. Zkratování svorek akumulátorové sady může vést k jiskření, popáleninám, požáru nebo výbuchu.

- Neumísťujte přístroje na baterie nebo jeho baterie blízko ohně nebo tepla. Tím se zvyšuje riziko výbuchu a možného zranění.
- Baterii nerozebírejte ani nedeformujte. Uniklý elektrolyt je korozivní a může poškozovat oči neb kůži. Může ublížit, spolkně-li se.
- Nevystavujte akumulátor působení vlhkosti a vody. Nástroj na baterie nenabíjejte ve vlhkých ani mokřích prostředích. Tím se sníží riziko elektrického šoku.
- V případě poškození a nesprávného používání baterie mohou unikat výpary. Zajistěte čerstvý vzduch a v případě komplikací vyhledejte lékařskou pomoc. Výpary mohou dráždit dýchací systém.
- Nenechávejte akumulátorovou sadu uvnitř vozidla v horkém nebo chladném prostředí.
- Baterii nepalte.
- Za nevhodných podmínek může z baterie vytékat kapalina; zabraňte kontaktu. Pokud dojde k náhodnému kontaktu, omyjte vodou. Pokud kapalina přijde do kontaktu s očima, vyhledejte lékařskou pomoc. Kapalina vytečená z baterie způsobí podráždění nebo popáleniny.

BEZPEČNOSTNÍ VAROVÁNÍ K SEKAČCE TRÁVY

- Před každým použitím vizuálně zkontrolujte nůžky, že nože, šrouby nože a stříhací sestava nejsou opotřebenány nebo poškozeny.
- Vyměňujte opotřebené nebo poškozené nože a šrouby, abyste zachovali rovnováhu.
- Nůž sekačky je velmi ostrý. Buďte velmi opatrní a noste silné rukavice při výměně, čištění, upevňování či kontrole zajištění šroubu.
- Chcete-li vyměnit poškozené nebo nečitelné štítky, předejte zařízení do autorizovaného servisního střediska.
- Zkontrolujte všechny šrouby, matice v častých intervalech na řádné utažení, aby se zajistilo, že zařízení bude pracovat v bezpečných pracovních podmínkách.

EN
FR
DE
ES
IT
NL
PT
DA
SV
FI
NO
RU
PL
CS
HU
RO
LV
LT
ET
HR
SL
SK
BG
UK
TR



- Lapač trávy často kontrolujte na opotřebení, otvory nebo poškození.
- Z důvodu bezpečnosti měňte opotřebované nebo poškozené díly před provozem zařízení.
- Výrobek se musí spouštět uživatelem za říditkami v bezpečné zóně obsluhy. Nikdy nezapínejte výrobek, pokud:
 - všechna čtyři kola se nedotýkají země
 - výhoz není zakrytý a není chráněný sběrným košem ani krytem
 - ruce a nohy všech osob nejsou vzdáleny od uzávěru řezného prostoru
- Nikdy nepoužívejte výrobek, pokud přepínač on/off (zap/vyp) na říditkách správně nespouští a nezastavuje produkt.
- Nikdy se nepokoušejte blokovat spínač zapnout/vypnout v poloze ZAPNUTO; je to velmi nebezpečné.
- Nepoužívejte nadměrnou sílu na nástroj. Nástroj bude svou práci provádět lépe a bezpečněji při určeném přísunu materiálu, pro který byl navržen.
- Zastavte nůž, když přejíždíte kamenité plochy.
- Nikdy netahejte za produkt směrem dozadu, pokud to není nutné. Pokud musíte couvat se sekačkou, vždy se nejprve podívejte dolů a za sebe, zabráníte upadnutí nebo najetí sekačky na vaše nohy.
- Vypněte motor a nechte nůž zastavit, abyste sekačku naklopili pro převoz přes plochy jiné než pro sečení a když ji přepravujete z místa na další místo sečení.
- Nikdy neprovozujte přístroj s poškozenými chrániči nebo štíty nebo bez bezpečnostních zařízení, například chráničů a/nebo sběrných vaků trávy.
- Při spouštění motoru, nebo pokud je motor v chodu, výrobek nenaklápějte. Pokud je to nutné, můžete zvednout přední část sekačky do výšky až 5 cm pro snadnější nastartování. Toto provedete stlačením madla. Vždy před sekáním vraťte sekačku do normální polohy se všemi koly na zemi. Při naklonění sekačky se odhalí nůž a zvyšuje se pravděpodobnost odhození předmětů a náhodného kontaktu s nožem.
- Motor zapínejte pečlivě podle pokynů a nohy i ruce udržujte z dosahu nože. Nemějte své ruce nebo nohy v blízkosti nebo pod rotujícími díly.
- Nikdy výrobek nepřevracejte ani nepřenášejte, pokud je motor v chodu.
- Zastavte výrobek, vyjměte klíč izolátoru a baterii. Ujistěte se, že se zastavily všechny pohyblivé díly:
 - kdykoli necháte produkt bez dozoru (včetně likvidace posečené trávy).
 - před čištěním nánosů nebo vyprázdněním výhozu
 - před kontrolou, čištěním nebo prací na nástroji,
 - před odebráním vaku pro trávu či otevřením krytu vyhazování trávy
 - po nárazu cizího předmětu; prohlédněte přístroj na poškození a proveďte opravy před restartem a obsluhou stroje.
 - pokud stroj začne abnormálně vibrovat (ihned zkontrolujte)
 - zjistěte škody, zejména na nožích
 - výměna a oprava všech poškozených dílů
 - zkontrolujte a utáhněte všechny volné části
- Vyhýbejte se díram, vyjetým kolejím, vyvýšeninám, kamenům nebo jiným skrytým předmětům. Nerovný terén může způsobit uklouznutí a pád.
- Vždy se ujistěte, že kabel ovládání motoru není nikdy zachycen, přimáčknut nebo jinak poškozen během montáže nebo při skládání rukojeti.

DOPLŇUJÍCÍ BEZPEČNOSTNÍ UPOZORNĚNÍ K BATERII

⚠ VAROVÁNÍ

Abyste zabránili nebezpečí požáru způsobeného zkratem, poraněním nebo poškozením výrobku, neponořujte nářadí, výměnnou baterii nebo nabíječku do kapalin a zajistěte, aby do zařízení a akumulátorů nevnikly žádné tekutiny. Korodující nebo vodivé kapaliny, jako je slaná voda, určité chemikálie a bělicí prostředky nebo výrobky, které obsahují bělidlo, mohou způsobit zkrat.



VLASTNOSTI VÝROBKU

PŘETÍŽENÍ A OCHRANA PROTI PŘEHŘÁTÍ

Výrobek obsahuje zařízení na ochranu před přetížením. Při zjištění přetížení se výrobek automaticky vypne. Pokud je ochranné zařízení proti přetížení aktivováno, musí se uvolnit tlačítko Zap-Vyp (on-off). Stiskněte tlačítko Zap-Vyp (on-off) pro restartování produktu.

Akumulátor má ochranu proti přehřátí. Nadměrné teploty způsobují, že baterie přestane napájet přístroj. Sáhnete na baterii. Je-li příliš horká, nechte ji před započetím další práce zchladnout. Pokud zařízení stále nefunguje, je třeba akumulátor nabít.

POZNÁMKA: LED indikační světlo baterie nefunguje, pokud ochranná funkce baterie zapříčinila, že baterie přestane napájet přístroj. Pustěte tlačítko zapnutí/vypnutí nebo baterii vyjměte z výrobku a kontrolka LED baterie se vrátí k normální funkci.

OBECNÉ RADY PRO SEČENÍ

Životnost baterie závisí na podmínkách, délce a hustotě trávy.

Seřídte výšku sečení sekačky vhodně k aktuálním podmínkám sečení.

Travní podmínky	Navržené seřízení výšky		Pokrytí (maximální)	
	První sečení	Další sečení	4 Ah akumulátor	5 Ah akumulátor
Velmi tenká/suchá	3	2	200 m ²	250 m ²
Tenká/suchá	4	3 → 2	150 m ²	200 m ²
Střední/hustá	5	4 → 3	100 m ²	150 m ²

* *Baterie: RB18L40*

- Pro nejlepší výkon vždy posekejte třetinu nebo méně výšky trávy.
- Když sečete vysokou travu, snižte rychlost chůze pro zefektivnění sečení a správné vysypávání odřezků.
- Nesekejte mokrou travu; ta se lepí na spodní stranu dna a brání správnému shromažďování nebo vysypávání odřezků trávy.
- Mladá nebo silná tráva vyžaduje vyšší výšku sečení.

- Pokud chcete travu k likvidaci shromažďovat, odstraňte mulčovací záslepku a nasadte sběrný koš na travu, přičemž dbejte na správné nasazení krytu výhozu trávy. Pravidelně vyprazdňujte sběrný box trávy, jinak se vyhazovací otvor bude sečení ucpávat.
- Pokud sekáte nízkou travu a přejete si, aby posečená tráva zůstala na trávníku, nasadte mulčovací záslepku a zavřete kryt výhozu trávy. V tomto případě není nutné osazovat sběrný koš.
- Sekačka pracuje neefektivněji při pohybu vpřed.
- Vysoká výška sečení prodlouží dobu sečení.

TRANSPORT A SKLADOVÁNÍ

- Zastavte výrobek, vyjměte klíč izolátoru a baterii. Ujistěte se, že se zastavily všechny pohyblivé díly: Před uložením nebo převážením ve vozidle nechte nástroj vychladnout.
- Odstraňte z výrobku všechny cizí materiál. Ukládejte v chladných, suchých a dobře větraných prostorech, které nejsou přístupné dětem. Nářadí neuskloňujte v blízkosti žíravých látek, jako například v blízkosti zahrádkářských nebo zahradnických chemických přípravků nebo soli na zimní sypání komunikací. Neskladujte mimo budovu.
- Pro převoz ve vozidlech vyjměte klíč izolátoru a zajistěte výrobek proti pohybu nebo spadnutí, aby nedošlo k úrazu, poškození výrobku nebo úniku paliva.

VAROVÁNÍ

Při zvedání nebo naklánění výrobků kvůli údržbě, čištění, skladování nebo přepravě postupujte mimořádně opatrně. Nůž je ostrý, takže když je odhalený, udržujte veškeré části těla v bezpečné vzdálenosti.

TRANSPORT LITHIOVÝCH BATERIÍ

Přenos baterií dle místních a národních opatření a předpisů.

Dodržujte všechny zvláštní požadavky na balení a značení při transportu baterií třetí stranou. Zajistěte, aby žádné baterie nepřišly do kontaktu s jinými bateriemi nebo



vodivými materiály při transportu pomocí ochrany nekrytých kontaktů prostřednictvím izolace, nevodivých krytek či lepicích pásek. Nepřpravujte prasklé nebo baterie s unikajícím elektrolytem. Ptejte se u zásilkové společnosti na další radu.

ÚDRŽBA

▲ VAROVÁNÍ

Používejte pouze originální příslušenství, doplňky a náhradní díly výrobce. Zanedbání může zapříčinit možné poranění, slabý výkon a může dojít ke ztrátě záruky.

▲ VAROVÁNÍ

Údržba vyžaduje extrémní péči a znalosti a měla by být prováděna pouze kvalifikovaným servisním technikem. Výrobek nechte opravit pouze v pověřeném servisu. Při údržbě používejte pouze původní náhradní díly výrobce.

- Zastavte výrobek, vyjměte klíč izolátoru a baterii. Veškeré pohyblivé části se před jakoukoliv očistou nebo údržbou musejí kompletně zastavit.
- Můžete provádět zde uvedené opravy a seřízení. Pro jiné opravy nebo poradenství, požádejte o pomoc autorizované servisní středisko.
- Z důvodu bezpečnosti vyměňte opotřebované nebo poškozené díly.
- Lapač trávy často kontrolujte na opotřebení nebo poškození.
- Po každém použití setřete nástroj měkkým a suchým hadříkem. Jakýkoliv poškozený díl je nutné správně opravit nebo nechat vyměnit v autorizovaném servisním středisku.
- Zkontrolujte všechny šrouby, matice v častých intervalech na řádné utažení, aby se zajistilo, že výrobek bude pracovat v bezpečných pracovních podmínkách.
- Buďte opatrní při seřizování stroje, aby se vám nezachytily prsty mezi pohyblivými noži a upevněnými díly stroje.
- Při servisu nožů si uvědomte, že i když je napájení vypnuto, mohou se nože stále otáčet.
- Nůž sekačky je velmi ostrý. Buďte velmi

opatrní a noste silné rukavice při výměně, čištění, upevňování či kontrole zajištění šroubu.

- Vyměňujte opotřebované nebo poškozené nože a šrouby, abyste zachovali rovnováhu.
- Šrouby nože musejí být přiměřeně utažené. **Riďte se doporučením výrobce pro točivý moment nože, které najdete v tabulce specifikací výrobku v tomto manuálu.**

ODSTRANĚNÍ PŘÍČINY ZABLOKOVÁNÍ

- Zastavte výrobek, vyjměte klíč izolátoru a baterii. Ujistěte se, že se zastavily všechny pohyblivé díly:
- Vždy používejte odolné ochranné rukavice při kontrole a odstraňování ucpání.
- Čepele jsou ostré a ostrý může být i předmět způsobující zablokování.
- Vyjměte sběrný koš, zkontrolujte a opatrně odstraňte překážky.
- Zkontrolujte, zda nejsou nějaké překážky u výhozu a opatrně je odstraňte.
- Převraťte sekačku na bok, zkontrolujte ji zespodu a okolí nože. Pokud najdete nějaké překážky, opatrně je odstraňte. Nezapomeňte, že nůž se při čištění může pohybovat.

ZBYTKOVÁ RIZIKA

Dokonce, i když se výrobek provozuje jak je předepsáno, je stále nemožné zcela eliminovat veškeré zbytkové rizikové faktory. Následující nebezpečí mohou nastat při používání; vyhýbejte se:

- Poranění způsobené vibracemi
 - Vždy používejte správný nástroj pro danou práci. Navržené rukojeti a dodržujte pracovní dobu a expozici.
- Zranění způsobené hlukem
 - Vystavování hluku může způsobit poškození sluchu. Noste ochranu sluchu a omezte vystavení.
- zranění z kontaktu s nožem
- Úraz způsobený odmrštěnými předměty

SNÍŽENÍ RIZIKA

Bylo zjištěno, že vibrace z ručních pracovních nástrojů mohou u některých osob přispívat ke stavu tzv. Raynaud's Syndrome (Raynaudovu



syndromu). Mezi jeho příznaky patří brnění, necitlivost a zblednutí prstů, patrné obvykle po pobytu v chladu. Vědci se domnívají, že k rozvinutí těchto příznaků přispívají dědičné faktory, pobyt v chladu a vlhku, strava, kouření a pracovní návyky. Uživatel může omezit případné působení vibrací použitím vhodných opatření:

- Za chladného počasí se teple oblečte. Při práci s výrobkem si navlékněte rukavice, abyste udrželi ruce a zápěstí v teple. Bylo zjištěno, že chladné počasí je hlavním faktorem přispívajícím k Raynaud's Syndrome (Raynaudovu syndromu).
- Během práce si v pravidelných intervalech zacvičte, abyste zvýšili krevní oběh.
- Zařazujte časté pracovní přestávky. Omezte dobu práce za den.

Jakmile pocítíte některý z výše uvedených příznaků tohoto syndromu, okamžitě přerušete práci a vyhledejte lékaře.

⚠ VÁROVÁNÍ

Poranění mohou být způsobena, či zhoršena, prodlouženým používáním nástroje. Když používáte jakýkoliv nástroj delší dobu, dělejte pravidelně přestávky.

POZNEJTE SVŮJ NÁSTROJ

Viz strana 193.

Součásti

1. Rukojeť
2. Tlačítko On-off (Zapnout-vypnout)
3. Tlačítko spuštění
4. Řídící kabel motoru
5. Držák řídicího kabelu motoru
6. Dvířka pro baterie
7. Šroub rukojeti
8. Indikátor naplnění
9. Lapač trávy
10. Kryt výhozu trávy
11. Zajištění madla
12. Zadní kolo
13. Páka seřízení výšky
14. Přední kolo
15. Odpojovací klíč
16. Baterie
17. Nabíječka
18. Mulčovací zásuvka

SYMBOLY NA VÝROBKU



Řádně si návod přečtěte, porozumějte veškerým pokynům a dodržujte všechny bezpečnostní pokyny a bezpečnostní varování.



Noste ochranu sluchu



Noste ochranu očí



Nepoužívejte na sklonech vyšších jak 15°. Na strmých svazích sečte po vrstevnicích, nikdy ve směru nahoru a dolů.



Nevystavujte dešti nebo nepoužívejte ve vlhkých podmínkách.



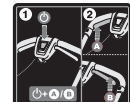
Uvědomte si nebezpečí z ostrých nožů. Nože ještě rotují i po vypnutí motoru - před údržbou odeberte odpojovací klíč.



Dávejte pozor na odmrštěné nebo odletující předměty. Všechny přihlízející, zvláště děti a zvířata udržujte ve vzdálenosti alespoň 15 m od pracovní oblasti.



Madlo můžete nastavit na 3 úrovně výšky. Zkontrolujte obzvláště při nejvyšší úrovni, že trubky jsou na správném místě. Pokud by nebyly na správném místě a nebyly zajištěné, madlo by mohlo z otvorů vyklouznout.



Stiskněte tlačítko Start a pak tlačítko zapnout-vypnout (On-off) (A nebo B) pro spuštění zařízení. Uvolněte tlačítko Start a držte stisknuto tlačítko zapnout-vypnout (On-off) pro spuštění zařízení. Uvolněte tlačítko zapnout-vypnout (On-off) pro zastavení zařízení.



Přejít



Vypnuto



Před spuštěním přístroje si
řádně přečtěte pokyny.



Odpad elektrických výrobků se
nesmí likvidovat v domovním
odpadu. Recyklujte prosím na
sběrných místech. Ptejte se u
místních úřadů nebo prodejce
na postup při recyklaci.



Toto nářadí je v souladu se
všemi normami a předpisy
platnými v zemi EU, ve které
bylo zakoupeno.



Euroasijská značka shody



Ukrajinská značka shody



Garantovaná hladina
akustického výkonu zobrazená
na tomto štítku je 96 dB.

SYMBOLY V NÁVODU



Díly nebo příslušenství jsou v
prodeji samostatně



Poznámka



Varování

Následující signální slova a významy jsou
vhodné pro vysvětlení úrovní nebezpečí
spojených s tímto výrobkem.

NEBEZPEČÍ

Označuje bezprostředně rizikovou situaci,
které je třeba předejít, jinak bude jejím
následkem smrt nebo vážné zranění.

VAROVÁNÍ

Označuje možnou rizikovou situaci, které je
třeba předejít, jinak jejím následkem může
být smrt nebo vážné zranění.

VAROVÁNÍ

Označuje možnou rizikovou situaci, které je
třeba předejít, jinak jejím následkem může
být smrt nebo vážné zranění.

VAROVÁNÍ

(Bez bezpečnostního výstražného symbolu)
Určuje situaci, která může mít za následek
vážné poškození.



A akumulatorová sekačka trávy tervezésekor a biztonság, a teljesítmény és a megbízhatóság voltak a legfontosabb szempontok.

RENDELTETTÉSSZERŰ HASZNÁLAT

A vezeték nélküli fűnyíró csak kültéren használható.

A termék kizárólag otthoni fűnyírásra alkalmas. A vágókésnek nagyjából párhuzamosan kell forognia a talajfelszínnel, amelyen tolja a fűnyírót. Fűnyírás közben mind a négy keréknek érintkeznie kell a talajjal. A fűnyíró mögött gyalogló tempóban kell haladni, a fűnyírót tolva.

A termék nem működtethető, ha a kerekek nincsenek a talajon. Nem szabad húzni vagy rajta utazni. Az otthoni pázsiton kívül semmi más nyírására vagy vágására nem használható.

Semmilyen más célra ne használja.

ÁLTALÁNOS BIZTONSÁGI FIGYELMEZTETÉSEK

▲ FIGYELMEZTETÉS

A termék használatakor a biztonsági szabályokat be kell tartani. A saját és mások biztonsága érdekében kérjük, olvassa el ezt az útmutatót a termék használata előtt. Tartsa meg a kézikönyvet, hátha a későbbiekben szüksége lehet rá.

▲ FIGYELMEZTETÉS

Csak a jelen gépkönyvben előírt akkumulátorcsomagokkal használja a terméket. Akkumulátoros gépek használatakor a tűz, az akkumulátor szivárgása és a személyi sérülés veszélyének csökkentése érdekében mindig be kell tartani az alapvető biztonsági óvintézkedéseket.

SZEMÉLYI BIZTONSÁG

- A készülék képes kezek és lábak amputálására, tárgyak elhajítására. Az összes biztonsági utasítás figyelmen kívül hagyása súlyos sérülést vagy halált eredményezhet.
- Legyen tisztában a termék kezelőszerveivel és helyes használatával.

- Ne hagyja, hogy gyerekek vagy csökkent fizikai, érzékelési vagy értelmi képességgel rendelkező személyek, vagy az utasításokat nem ismerő személyek működtessék, tisztítsák vagy karbantartsák a terméket. A helyi előírások korlátozhatják a kezelő életkorát. A gyerekekre oda kell figyelni, nehogy játsszanak a termékkel.
- Az egység működtetésekor legyen mindig éber, figyeljen arra, amit csinál és használja a józan esztét. Ne használja a gépet, ha fáradt, beteg vagy alkohol, gyógyszerek illetve más tudatmódosítók hatása alatt áll. Ha a gép használata közben nem figyel oda arra, amit csinál, az súlyos személyi sérüléshez vezethet.
- Nehéz, hosszú nadrágot viseljen, hosszú ujjú felsőt és kemény, csúszásmentes lábbelit. Ne viseljen rövidnadrágot és szandált, illetve ne legyen mezítláb. Kerülje a bő ruhák viseletét, vagy amelyből kábelek vagy madzagok lógnak ki.
- Mindig viseljen oldalellenzővel rendelkező védősisakot.
- Mindig biztosan támaszkodjon meg, főleg a lejtőkön. Stabilan álljon és vegyen fel megfelelő egyensúlyt. Gyalogoljon, ne fusson.
- A leejtőkön keresztbe használja a terméket, soha ne felfelé és lefelé haladva. A leejtőn való irányváltás közben legyen különösen óvatos.
- Ne használja a terméket mélyedések, árkok, túlzottan meredek lejtők vagy töltések közelében. A nem stabil tartás csúszási vagy esési balesetet okozhat.

MUNKATERÜLET

- Ne használja a terméket, miközben emberek, különösen gyerekek vagy háziállatok vannak a termék 15 méteres környezetében, a késsel való érintkezés miatti kivetődés okozta veszélyek miatt.
- A fűnyíró kése által eltalált tárgyak súlyos személyi sérüléseket okozhatnak. Alaposan vizsgálja át a területet, ahol a gépet használni szeretné, és távolítsa el minden követ, fadarabot, fémdarabot, drótot, csontot, játékot vagy más idegen tárgyat. Ne feledje, hogy a szálak vagy vezetékek beakadhatnak a vágókésbe.
- Nappal vagy jó mesterséges megvilágításnál használja a terméket.





- A gépet ne működtesse robbanásveszélyes környezetben, például robbanásveszélyes folyadékok, gázok vagy porok jelenlétében. A gépben szikrák keletkezhetnek, amik begyűjthetik a port vagy a gőzöket.
- Ne használja a gépet vizes fűben vagy esőben.
- Ne használja a terméket, ha villámlás veszélye áll fenn.
- Jegyezze meg, hogy a kezelő vagy a felhasználó felelős a más embereknek vagy tulajdonuknak okozott veszélyekért vagy balesetekért.
- Tragikus balesetek fordulhatnak elő, ha a kezelő nem veszi észre a gyerekek jelenlétét. A gyerekeknek figyelmeztelést kell adni a gép és a fűnyírás. Ne feltételezze azt, hogy a gyerekek ugyanott maradnak, ahol utoljára látta őket.
- A nyírandó területtől a gyerekeket tartsa távol, és a kezelőn kívüli felelős felnőtt körültekintően felügyelje őket, aki álljon készenlétben és a terméket kapcsolja ki, ha egy gyerek belép erre a területre.
- Vak sarkok, bokrok, fák vagy egyéb tárgyak, pl. a látást korlátozó belógó bokrok megközelítésekor rendkívül óvatos legyen.

AKKUMULÁTOROS SZERSZÁMGÉP HASZNÁLATA ÉS KARBANTARTÁSA

- Olvassa el, értse meg és mindig tartsa be az akkumulátorhoz és a töltőhöz mellékelt biztonsági előírásokat. Ennek elmulasztása áramütést, tüzet vagy más veszélyes szituációkat eredményezhet. A jövőbeni felhasználásra az összes útmutatót tartsa együtt, biztonságos helyen.
- Az akkumulátorral működő gépeket nem kell az elektromos hálózathoz csatlakoztatni, azok mindig készen állnak a használatra. Távolítsa el az áramtalanító kulcsot, amikor nem használja a terméket.
- Bármilyen beállítás, tisztítás vagy anyag gépből történő eltávolítás előtt vegye ki az akkumulátort a gépből.
- Az akkumulátor behelyezése előtt ellenőrizze, hogy a áramtalanító kulcs ki van véve.
- Az akkumulátort csak a gyártó által meghatározott töltővel töltsse fel. Töltő használata nem kompatibilis akkumulátorral akár tűzveszélyt is okozhat.

Az akkumulátort csak a hozzá adott töltővel töltsse.

- A géphez csak a hozzá való akkumulátort használja. Más akkumulátorok használata tűzveszélyt, áramütést vagy személyi sérüléseket eredményezhet.
- **Az akkumulátort használaton kívül tartsa távol más fém tárgyaktól, úgymint gemkapcsoktól, érméktől, kulcsoktól, szögektől, csavaroktól vagy más kisméretű fém tárgyaktól, amelyek rövidre zárhatják a két érintkezőt.** Az akkumulátor érintkezőinek rövidre zárása szikrákat, tüzet, égéseket vagy robbanást okozhat.
- Az akkumulátoros termékeket vagy az akkumulátort ne tegye tűz vagy hőforrás közelébe. Ezzel csökkentheti a robbanás és az esetleges sérülés kockázatát.
- Ne nyissa fel és ne módosítsa az akkumulátort. A kifolyt elektrolit korrodáló, és a szem vagy a bőr sérülését okozhatja. Belélegzéskor mérgező lehet.
- Óvja az akkumulátort a nedvességtől és a víztől. Az akkumulátort ne töltsse nedves vagy vizes helyeken. Ha ezt a szabályt betartja, csökkentheti az áramütés kockázatát.
- Az akkumulátor károsodásakor és helytelen használata esetén gőz szabadulhat ki. Biztosítson friss levegőt, és panasz esetén forduljon orvoshoz. A gőz irritálhatja a légzőrendszert.
- Nem ajánlott az akkumulátort meleg vagy hideg környezeti feltételek esetén járműben hagyni.
- Ne égesse el az akkumulátort.
- Nem megfelelő körülmények esetén folyadék távozhat az akkumulátorból, kerülje az azzal való érintkezést. Ha mégis érintkezik vele, öblítse le vízzel. Ha a folyadék szembe kerül, forduljon orvoshoz. Az akkumulátorból kifolyt folyadék irritációt vagy égéseket okozhat.

FŰNYÍRÓ BIZTONSÁGI FIGYELMEZTETÉSEK

- Használat előtt mindig vizsgálja át vizuálisan a szerszámot, és ellenőrizze, hogy a kések, a kések csavarjai valamint a vágószerelvény nincsenek elhasználódva és nem sérültek meg.





- Az egyensúly megtartása érdekében az elhasználódott vagy sérült késeket és csavarokat teljes készletben cserélje ki.
- A termékre szerelt kés éles. Óvatosan járjon el, és viseljen nehéz igénybevételre tervezett kesztyűt a felszerelésükkor, cseréjükkor, tisztításukkor vagy a csavarok ellenőrzésekor.
- A sérült vagy olvashatatlan címkék cseréjéhez vigye vissza a terméket egy hivatalos szervizközpontba.
- Gyakori időközönként ellenőrizze a csavaranyák, csavarok és fejescsavarok megfelelő meghúzását, hogy a gép biztonságos üzemi állapotban legyen.
- Rendszeresen ellenőrizze a fűgyűjtő kopását, kilyukadását vagy károsodását.
- A termék használata előtt cserélje ki az elhasználódott vagy sérült alkatrészeket.
- A terméket csak úgy szabad beindítani, hogy a kezelő a fogantyú mögött, a biztonságos zónában tartózkodik. Ne indítsa be a terméket, ha:
 - nincs mind a négy kereke a talajon
 - a fűkidobó csúszda kint van, és nem védi a fűdoboz és a fűkidobó csúszda fedele
 - a gép körül álló személyek keze és lába nincs távol a vágókések burkolatától
- Ne működtesse a terméket, ha a markolatlan található be/ki kapcsoló nem megfelelően indítja és állítja le a terméket.
- Ne próbálja meg rögzíteni a be/ki kapcsolókat BE állásba; ez különösen veszélyes.
- Ne erőltesse a terméket. A gép jobban teljesít és biztonságosabban dolgozik olyan sebesség használatakor, amilyenre azt tervezték.
- Kavicsos felületeken való áthaladáskor állítsa le a fűnyírót.
- Ne húzza vissza a terméket, hacsak nem elkerülhetetlen. Ha vissza kell húznia a gépet egy faltól vagy akadálytól, először nézzen le és maga mögé, nehogy elessen vagy a lábaira húzza a gépet.
- Állítsa le a motort, és hagyja megállni kést, ha a fűnyírót a szállításhoz meg kell dönteni a nem fűves területeken való áthaladáskor, valamint amikor a nyírni kívánt területre szállítja vagy onnan elviszi a gépet.
- Soha ne működtesse a gépet hibás védőburkolatokkal vagy védőlemezekkel, illetve biztonsági berendezések, például felhelyezett terelőlemez és/vagy fűgyűjtő nélkül.
- Ne döntse meg a terméket, amikor bekapcsolja a motort, vagy amikor a motor jár. Szükség esetén a könnyebb indításhoz a fűnyíró eleje legfeljebb 5 cm magasra felemelhető. Ehhez nyomja le a tolókart. A vágás előtt minden esetben állítsa vissza a fűnyírót a normál helyzetébe, hogy mind a négy kereke a talajon legyen. A fűnyíró megbillentése szabadabbá teszi a vágópengéket és növeli annak a veszélyét, hogy tárgyak repüljenek ki, illetve véletlenül hozzáérjen a vágópengékhez.
- A motort óvatosan és az előírások szerint kapcsolja be, és tartsa távol a kezét és a lábát a vágópengéktől. Ne helyezze kezét vagy lábát a forgó részek alá vagy közelébe.
- Ne emelje fel és ne szállítsa a terméket működő motorral.
- Állítsa le a terméket, vegye ki a kapcsoló kulcsot és az akkumulátort. Ellenőrizze, hogy minden mozgó rész teljesen megállt:
 - amikor felügyelet nélkül hagyja a gépet (beleértve a levágott fű kidobását is).
 - egy eltömődés vagy az eldugult ürítőcsúszda tisztítása előtt
 - ellenőrzés, karbantartás vagy a gépen végzett bármilyen művelet megkezdése előtt;
 - a fűtartály eltávolítása előtt vagy a fűkidobó csúszda fedelének kinyitása előtt
 - idegen tárgyak eltalálása után; a gép újraindítása és működtetése előtt vizsgálja meg a gépet sérülések tekintetében, és szükség esetén végezze el a javításokat;
 - ha a gép szokatlanul kezd rezegni (ellenőrizze azonnal).
 - a sérülések, különösen a kések vizsgálatakor
 - cserélje ki vagy javítsa meg a sérült alkatrészeket
 - ellenőrizze és húzza meg a meglazult alkatrészeket
- Kerülje a lyukakat, keréknyomokat, köveket és más rejtett tárgyakat. Az egyenetlen talaj



csúszási vagy esési balesetet okozhat.

- Mindig figyeljen oda arra, hogy a motor vezérlőkábele ne akadjon be, ne csípődjön be és máshogy se károsodjon a kar összeszerelések vagy lehajtásakor.

AZ AKKUMULÁTOR KIEGÉSZÍTŐ BIZTONSÁGI FIGYELMEZTETÉSEI

▲ FIGYELMEZTETÉS

A rövidzárlat általi tűz, sérülések vagy termékkárosodások veszélye elkerülésére ne merítse a szerszámot, a cserélhető akkut vagy a töltőkészüléket folyadékokba, és gondoskodjon arról, hogy ne hatoljanak folyadékok a készülékekbe és az akkukba. A korrózió hatású vagy vezetőképes folyadékok, mint pl. a sós víz, bizonyos vegyi anyagok, fehérítők vagy fehérítő tartalmú termékek, rövidzárlatot okozhatnak.

A TERMÉK JELLEMZŐI

TÚLTERHELÉS ÉS TÚLMELEGEDÉS ELLENI VÉDELEM

A termék túlterhelésvédelemmel rendelkezik. Túlterhelés észlelésekor a termék automatikusan kikapcsol. A túlterhelés elleni védelem aktiválódása után fel kell engedni a be-/kikapcsoló gombot. Nyomja meg a be-/kikapcsoló gombot a termék újraindításához.

Az akkumulátorban túlmelegedés elleni védelem van. Az akkumulátor túl magas hőmérséklete a szerszám leállítását okozza. Érintse meg az akkumulátort; amennyiben túl meleg, a munka folytatása előtt hagyja lehűlni. Ha a készülék továbbra sem működik, tölts fel az akkumulátort.

MEGJEGYZÉS: Az akkumulátor töltésjelző LED-je nem fog világítani, ha az akkumulátorvédelmi funkció az akkumulátoros tápellátás leállítását okozta a szerszámban. Engedje fel a bekapcsoló gombot vagy vegye ki az akkumulátort a termékből, és az akkumulátorvisszajelző LED ismét normálisan fog működni.

ÁLTALÁNOS FÜNYÍRÁSI TIPPEK

Az akkumulátor működési ideje a fű állapotától, hosszától és a sűrűségétől függ.

Állítsa be a fűnyíró vágásmagasságát, hogy megfelelően a vágandó fű állapotának.

Fű állapota	Javasolt magasságbeállítás		Lefedettség (maximális)	
	Első menet	Következő menetek	4 amperórás akkumulátor	5 amperórás akkumulátor
Vagyon vékony / Száraz	3	2	200 m ²	250 m ²
Vékony / Száraz	4	3 → 2	150 m ²	200 m ²
Közepes / Sűrű	5	4 → 3	100 m ²	150 m ²

* Akkumulátor: RB18L40

- A legjobb teljesítmény érdekében mindig a fű teljes magasságának csak az egyharmadát vagy kevesebbet vágjon.
- Magas fű vágásakor csökkentse a haladási sebességet, hogy sokkal hatékonyabban tudjon vágni és a levágott fű kiürítse megfelelő legyen.
- Ne vágjon nedves fűvet; rátapad a burkolat aljára, és akadályozza a levágott fű megfelelő begyűjtését vagy kiürítését.
- Friss vagy magas fű esetében nagyobb vágásmagasság beállítására lehet szükség.
- Ha a levágott fűvet összegyűjti, vegye ki a mulcsdugót és helyezze be a fűgyűjtőt, majd győződjön meg arról, hogy a fűkidobó csúszda fedele megfelelően záródik. Rendszeresen ürítse ki a fűgyűjtőt, mert ellenkező esetben a levágott fű eltömíti az ürítőnyílást.
- Ha kis fogással nyír és azt szeretné, hogy a levágott fű a gyepon maradjon, helyezze be a mulcsdugót és csukja be a fűkidobó csúszda fedelét, hogy befedje a kidobó nyílását. Ebben az esetben nem kell behelyezni a fűgyűjtőt.
- A készülék a leghatékonyabban akkor működik és vág, amikor előre mozog.
- nagyobb vágásmagasság meghosszabbítja az akkumulátor működési idejét.

SZÁLLÍTÁS ÉS TÁROLÁS

- Állítsa le a terméket, vegye ki a kapcsoló kulcsot és az akkumulátort. Ellenőrizze, hogy minden mozgó rész teljesen megállt. Várja meg, amíg lehűl a termék, mielőtt a tárolóban elhelyezné, vagy egy járműben szállítaná.
- Minden idegen anyagtól tisztítsa meg a terméket. Hűvös, száraz és jól szellőztetett,



gyerekektől elzárt helyiségben tárolja. Ne tárolja olyan oxidálószeres közelében, mint pl. kerti munkáknál használatos vegyszerek vagy jégmentesítő sók. Ne tárolja a szabadban.

- A terméket járműveken szállítva a károsodás és a személyi sérülések elkerüléséhez vegye ki a kapcsoló kulcsot és rögzítse a terméket mozgás, illetve leesés ellen.

▲ FIGYELMEZTETÉS

Ha a termék karbantartása, tisztítása, tárolása, illetve szállítása során azt meg kell dönteni vagy fel kell emelni, legyen óvatos és ne érjen hozzá a szabadon álló vágópengékhez, mert azok élesek.

LÍTIUM AKKUMULÁTOROK SZÁLLÍTÁSA

Az akkumulátorokat a helyi és nemzeti előírásokkal és szabályokkal összhangban szállítsa.

Az akkumulátorok külső fél általi szállításakor kövesse a csomagolásra és a címkézésre vonatkozó speciális előírásokat. Ügyeljen arra, hogy az akkumulátorok ne érhessenek más akkumulátorokhoz vagy vezető anyagokhoz szállítás közben; ehhez a szabadon maradt csatlakozókat védje szigetelő fedéllel vagy szalaggal. Ne szállítson repedt vagy szivárgó akkumulátorokat. További információért vegye fel a kapcsolatot a továbbítást végző céggel.

KARBANTARTÁS

▲ FIGYELMEZTETÉS

Csak a gyártó eredeti cserealkatrészeit, tartozékait és szerelékeit használja. Ennek figyelmen kívül hagyása gyenge motorteljesítményt, esetleges sérülést és a jótállás elvesztését okozhatja.

▲ FIGYELMEZTETÉS

szervizelés különös figyelmet és hozzáértést igényel, és csak szakképzett szerelő végezheti el. A terméket csak engedéllyel rendelkező szervizben javíttassa. Szervizeléskor csak eredeti, gyártó által előállított cserealkatrészeket használjon.

- Állítsa le a terméket, vegye ki a kapcsoló kulcsot és az akkumulátort. A tisztítási és karbantartási műveletek megkezdése előtt győződjön meg arról, hogy minden mozgó alkatrész teljesen megállt.
 - Az itt bemutatott beállításokat és javításokat Ön is elvégezheti. További javításokért vagy tanácsért kérjen segítséget egy hivatalos szervizközpontban.
 - A biztonságos üzem érdekében cserélje ki az elhasználódott vagy sérült alkatrészeket.
 - Rendszeresen ellenőrizze a fűgyűjtő kopását vagy károsodását.
 - Minden egyes használat után egy puha, száraz ruhával tisztítsa meg a terméket. A sérült alkatrészeket egy hivatalos szervizközpontban kell megjavíttatni vagy kicseréltetni.
 - Gyakori időközönként ellenőrizze a csavaranyák, csavarok és fejescsavarok megfelelő meghúzását, hogy a termék biztonságos üzemi állapotban legyen.
 - A gép beállítása során legyen óvatos, nehogy ujjai beszoruljanak a forgó kések és a gép rögzített részei közé.
 - A kések szervizeléskor vegye figyelembe, hogy a kések még kikapcsolt elektromos áramellátás esetén is foroghatnak.
 - A termékre szerelt kés éles. Óvatosan járjon el, és viseljen nehéz igénybevételre tervezett kesztyűt a felszerelésükkor, cseréjükör, tisztításukör vagy a csavarok ellenőrzésekor.
 - Az egyensúly megtartása érdekében az elhasználódott vagy sérült késeket és csavarokat teljes készletben cserélje ki.
 - Egyformán húzza meg a penge csavarjait. **A penge csavarjainak a gyártó által javasolt meghúzási nyomatékát lásd a jelen kézikönyvben található termékadatok táblázatban.**
- #### ELTÖMÖDÉS MEGSZÜNTETÉSE
- Állítsa le a terméket, vegye ki a kapcsoló kulcsot és az akkumulátort. Ellenőrizze, hogy minden mozgó rész teljesen megállt.
 - Egy eltömődés ellenőrzésekor és megszüntetésekor mindig viseljen nehéz igénybevételre tervezett védőkesztyűt.
 - A kések élesek maga az akadály is éles lehet.



- Szerelje ki a fűfogót, ellenőrizze és óvatosan szedje ki az akadályokat.
- Ellenőrizze a fűírtó csúszda dugulását és óvatosan tisztítsa ki.
- Fordítsa a terméket az oldalára, ellenőrizze az alját, valamint a vágópengék körüli területet. Ha elakadást észlel, óvatosan távolítsa el. Ne felejtse el, hogy a vágópenge a tisztítás során mozog.

FENNMARADÓ KOCKÁZAT

Még a termék rendeltetésszerű használata esetén sem lehet teljesen kiküszöbölni minden kockázati tényezőt. A gép használata során a következő veszélyek merülhetnek fel, és a kezelőnek különösen oda kell figyelnie az alábbiak elkerülésére:

- A vibráció sérüléseket okozhat
 - A munkához mindig a megfelelő szerszámot használja. Koristite označenu kopču i ograničite radno vrijeme i izloženost.
- Zaj okozta sérülések
 - A zajnak való kitettség halláskárosodást okozhat. Viseljen hallásvédőt és korlátozza a zajnak való kitettséget.
- kések érintése okozta sérülés
- A kirepülő tárgyak sérüléseket okozhatnak

KOCKÁZATCSÖKKENTÉS

Arról számoltak be, hogy a kéziszerszámok használata során fellépő vibráció bizonyos személyeknél hozzájárulhat az úgynevezett Raynaud-szindróma (Raynaud's Syndrome) nevű állapot kialakulásához. A tünetei lehetnek: az ujjak zsibbadása, elfehéredése, szúrások érzése, amelyek hidegnek kitéve gyakran felerősödnek. Az öröklődő tényezők, a hidegnek kitétség és verejtékezés, a diéta, a dohányzás és munka közben alkalmazott fogások valószínűleg mind hozzájárulhatnak ezen tünetek megjelenéséhez. A vibráció hatásainak csökkentése érdekében a kezelőnek be kell tartani az alábbi óvintézkedéseket:

- Hideg időben tartsa melegen a testét. A termék használatakor viseljen kesztyűt a kéz és a csukló melegen tartásához. Arról számoltak be, hogy a hideg időjárásnak fontos szerepe van a Raynaud-szindróma kialakulásában.

- Bizonyos időtartamú használat után mindig végezzen gyakorlatokat a vérkeringés javításához.
- Gyakran tartson munkaszünetet. Korlátozza a napi munkaidőt.

Ha ezen állapot bármelyik tünetét tapasztalja, azonnal hagyja abba a munkát, és tájékoztassa az orvosát a tünetekről.

▲ FIGYELMEZTETÉS

Hosszabb használat sérülést okozhat. Ha a gépet hosszú időn át kell használnia, tartson gyakran szünetet.

ISMERJE MEG A TERMÉKET

Lásd 193. oldal.

Részegységek

1. Fogantyú
2. Be/ki kapcsológomb
3. Indítógomb
4. Motor vezérlőkábele
5. Motor vezérlőkábelének tartója
6. Akkumulátorfedél
7. Fogantyú gombja
8. Fűgyújtó tele visszajelző
9. Fűgyújtó
10. Fűkidobó csúszda fedele
11. Fogantyúzár
12. Hátsó kerék
13. Magasságállító kar
14. Elülső kerék
15. Áramtalanító kulcs
16. Akkumulátor
17. Töltő
18. Mulcsozó csatlakozó

SZIMBÓLUMOK A TERMÉKEN



A termék használata előtt olvassa el és értse meg a kezelési útmutatóban leírtakat, és tartsa be az összes figyelmeztető és biztonsági utasítást.



Viseljen fülvédőt



Viseljen védőszemüveget



Ne használja 15°-nál meredekebb lejtőn. A leejtőkön keresztbe nyírjon, soha ne felfelé és lefelé haladva.



Ne tegye ki esőnek, és ne használja nedves környezetben.



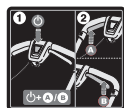
Óvakodjon az éles késektől. A motor leállítása után a kés tovább forog – karbantartás előtt távolítsa el az áramtalanító kulcsot



Figyeljen a kivetett vagy repülő tárgyakra. Az összes nézelődő, különösen a gyerekek és a háziállatok, legyenek legalább 15 m-es távolságra a használati területtől.



A fogantyú 3 magasságban állítható. Győződjön meg arról, hogy a csövek behelyezése megfelelő, különösen a legmagasabb helyzetben. Nem megfelelő behelyezés és rögzítés esetén a fogantyú kicsúszhat a lyukból.



A gép beindításához nyomja meg a Start gombot, majd a be/ki kapcsológombot (A vagy B). A gép működtetéséhez engedje fel a Start gombot és tartsa lenyomva a be/ki kapcsológombot. Engedje fel a be-ki gombot a termék leállításához.



Indulás



Leállítás



A gép bekapcsolása előtt figyelmesen olvassa el az útmutatót.



A kiselejtezett elektromos termékeket nem szabad a háztartási hulladékkal együtt kidobni. Ezeket újra kell hasznosítani, ha van rá lehetőség. Az újrahasznosítással kapcsolatban érdeklődjön a helyi önkormányzatnál vagy a termék forgalmazójánál.



Ez a szerszám minden, a vásárlás európai uniós országában hatályos szabványnak megfelel.



Eurázsiai megfelelőségi jelzés



Ukrainai megfelelőségi nyilatkozat



A címkén látható garantált hangteljesítményszint 96 dB.

A következő jelölőszavak és jelölések arra szolgálnak, hogy megmagyarázzák a termékkel kapcsolatos veszélyességi szinteket:

⚠ VESZÉLY

Egy bekövetkező veszélyes helyzetet jelez, ami, ha nem előzik meg, halált vagy komoly sérülést eredményez.

⚠ FIGYELMEZTETÉS

Egy potenciálisan bekövetkező veszélyes helyzetet jelez, amit, ha nem előznek meg, halált vagy komoly sérülést eredményezhet.

⚠ FIGYELEMFLHÍVÁS

Egy potenciálisan veszélyes helyzetet jelez, ami, ha nem előzik meg, kisebb vagy mérsékelt sérülést eredményezhet.

FIGYELEMFLHÍVÁS

(Biztonsági figyelmeztető szimbólum nélkül) Egy olyan helyzetet jelez, ami anyagi kárt eredményezhet.

A KÉZIKÖNYVBEN HASZNÁLT SZIMBÓLUMOK



Külön értékesített alkatrészek és kiegészítők



Megjegyzés



Figyelem

Au fost acordate priorități maxime asupra siguranței, performanței și fiabilității în proiectarea dvs.

UTILIZARE PREVĂZUTĂ

Mașina pentru tuns gazonul fără fir este destinată doar pentru uz în aer liber.

Acest produs este destinat exclusiv tunderii gazonului. Lama de tăiere trebuie să se rotească aproximativ paralel cu solul peste care se rotește. Toate cele patru roți trebuie să atingă solul în timpul tunderii ierbii. Este un mers pedestru controlat din spatele mașinii de tuns gazonul proiectate a fi împinsă cu mâna.

Produsul nu trebuie niciodată operat cu roțile desprinse de sol. Mașina nu trebuie trasă și operatorul nu trebuie să se urce pe ea pentru a se deplasa. Aceasta nu trebuie să fie folosită pentru a tunde nimic altceva decât peluzele cu gazon.

Nu folosiți în alte scopuri.

AVERTISMENTE GENERALE PRIVIND SIGURANȚA

▲ AVERTISMENT

Atunci când utilizează produsul, normele de siguranță trebuie să fie respectate. Pentru siguranța dumneavoastră și a trecătorilor, vă rugăm să citiți aceste instrucțiuni înainte de utilizarea produsului. Vă rugăm să păstrați instrucțiunile într-un loc sigur pentru utilizare ulterioară.

▲ AVERTISMENT

Utilizați echipamentul doar cu acumulatorul specificat în acest manual. Atunci când se utilizează mașina cu acumulator, măsurile de precauție de bază ar trebui să fie întotdeauna respectate pentru a reduce riscul de incendiu, de scurgere a bateriilor și de vătămare corporală.

SIGURANȚĂ PERSONALĂ

- Acest produs este capabil să amputeze mâini și picioare și să azvârle obiecte. Neobservarea tuturor instrucțiunilor de siguranță poate cauza vătămare gravă sau deces.
- Familiarizați-vă cu comenzile și folosirea corectă a produsului.

- Nu permiteți niciodată copiilor sau persoanelor cu capacități fizice, senzoriale sau mintale reduse, sau cele nefamiliare cu aceste instrucțiuni, să opereze, curețe sau să efectueze întreținerea produsului. Reglementările locale pot restricționa vârsta operatorului. Copiii trebuie să fie supravegheați adecvat pentru a vă asigura că nu se joacă cu produsul.
- Fiți vigilenți, fiți atenți la ceea ce faceți, acționați cu simț practic când operați unitatea. Nu utilizați unealta când sunteți obosit, bolnav sau sub influența alcoolului, a drogurilor sau a medicamentelor. Un moment de neatenție în timpul operării mașinii poate cauza vătămarea personală gravă.
- Purtați pantaloni lungi și rezistenți, bluză cu mânecă lungă și încălțăminte antiderapantă. Nu purtați pantaloni scurți și sandale și nu mergeți cu picioarele goale. Evitați să purtați de îmbrăcăminte largă sau care are cordoane sau șireturi libere.
- Purtați mereu ochelari de protecție cu apărători laterale.
- Fiți atent întotdeauna unde pașiți mai ales pe pante înclinate. Mențineți sprijin ferm pe picioare și echilibru. Mergeți. Nu alergați niciodată.
- Folosiți produsul de-a latul pantelor, niciodată în jos și în susul ei. Acordați atenție maximă atunci când schimbați direcția pe pantă.
- Nu folosiți produsul lângă pante abrupte, șanțuri, zone extrem de înclinate sau diguri. Echilibrul fragil pe picioare poate cauza alunecarea sau căderea.

MEDIUL DE LUCRU

- Nu folosiți niciodată produsul în timp ce persoane, în special copii sau animale de casă, sunt într-o rază de 15 metri, din cauza pericolului obiectelor aruncate prin contactul cu lama.
- Obiectele prinse de lama mașinii de tuns gazon pot cauza vătămări grave persoanelor. Inspectați foarte bine zona în care va fi utilizată mașina și îndepărtați toate pietrele, crengile, metalul, sârma, oasele, jucăriile sau alte obiecte străine. Rețineți, firul sau cablurile se pot încălci în cuțitele de tăiere.
- Folosiți produsul doar pe lumina zilei sau



pe lumină artificială puternică.

- Nu operați mașina în atmosfere explozive, precum în prezența lichidelor, gazelor sau a prafului inflamabil. Unealta poate crea scântei care pot aprinde praful sau vaporii.
- Nu operați mașina în iarba udă sau în ploaie.
- Nu folosiți produsul când există risc de fulgere.
- Rețineți că operatorul sau utilizatorul este responsabil pentru accidente sau pericolele ce pot avea loc asupra altor persoane sau proprietății lor.
- Se pot întâmpla accidente tragice dacă operatorul nu este atent la prezența copiilor. Copiii de obicei sunt atrași de aparat și de activitatea de tundere a acesteia. Nu presupuneți niciodată că copiii vor rămâne acolo unde i-ați văzut ultima oară.
- Nu permiteți copiilor să intre în zona în care se tunde iarba; lăsați-i în grija unui adult responsabil, altul decât operatorul; fiți în permanență atent și opriți produsul dacă un copil pătrunde în zonă.
- Procedați cu grijă atunci când lucrați în colțuri fără vizibilitate, printre tufișuri, arbori sau alte obiecte, inclusiv tufișuri tunse în consolă care v-ar putea bloca vederea.

FOLOSIREA ȘI ÎNTREȚINEREA MAȘINII CU ACUMULATOR

- Citiți, înțelegeți și urmați întotdeauna instrucțiunile de siguranță ce vin împreună cu acumulatorul și încărcătorul. Neurmarea instrucțiunilor poate rezulta în electrocutare, incendiu sau situații periculoase. Păstrați toate instrucțiunile împreună într-un loc sigur pentru o consultare ulterioară.
- Unitățile cu acumulator nu trebuie să fie conectate la o priză electrică; prin urmare, acestea sunt întotdeauna în stare de funcționare. Scoateți întotdeauna cheia izolatoare oricând nu operați produsul.
- Scoateți acumulatorul înainte de a face orice ajustări, de curățare sau de eliminarea materialului din unitate.
- Asigurați-vă că cheia de contact este scoasă înainte de a introduce acumulatorul.
- Un acumulator trebuie să fie reîncărcat numai cu încărcătorul specificat de producător. Utilizarea unui încărcător cu

acumulator incompatibil poate crea un risc de incendiu. Folosiți acumulatorul numai cu încărcătorul specificat.

- Folosiți doar acumulatorul destinat în mod special pentru mașină. Utilizarea unui alt acumulator poate produce un risc de incendiu, de electrocutare sau de vătămare a persoanelor.
- **Atunci când acumulatorul nu este în uz, păstrați-l departe de alte obiecte metalice, cum ar fi agrafe de birou, monede, chei, cuie, șuruburi sau alte obiecte metalice mici, care pot face o conexiune de la o bornă la alta.** Scurtcircuitarea terminalelor acumulatorului ar putea cauza scântei, arsuri, incendiu sau explozie.
- Nu lăsați produsele cu acumulatori sau acumulatorii acestora în apropierea focului sau a surselor de căldură. Aceasta crește riscul de explozie și posibila vătămare.
- Nu deschideți sau distrugeți bateria. Electrolitul eliberat este coroziv și poate cauza vătămarea ochilor sau a pielii. Poate fi toxic dacă este înghițit.
- Protejați acumulatorul împotriva umezelii și a apei. Nu încărcați unitatea în locuri umede sau ude. Respectarea acestei reguli reduce pericolul de electrocutare.
- În caz de deteriorare și de folosire inadecvată a acumulatorului, pot fi emiși vapori. Respirați aer proaspăt și consultați medicul în caz de dureri. Vaporii pot irita sistemul respirator.
- Nu lăsați acumulatorul în interiorul unui vehicul în condiții de căldură sau frig.
- Nu aruncați acumulatorul în foc.
- Ca urmare a folosirii necorespunzătoare, din acumulator se poate scurge lichid; evitați contactul cu acesta. În cazul unui contact accidental, spălați cu apă. În cazul contactului cu ochii, consultați suplimentar un medicul. Lichidul care iese din acumulator poate provoca iritații sau arsuri.

AVERTIZĂRI DE SIGURANȚĂ A MAȘINII DE TUNS IARBA.

- Înainte de utilizare, inspectați vizual pentru a vă asigura că lamele, șuruburile lamei și ansamblul cuțitului nu sunt uzate sau deteriorate.
- Înlocuiți lamele și șuruburile uzate sau deteriorate în seturi pentru a menține



echilibrul.

- Lama produsului este ascuțită. Folosiți atenție și purtați mănuși rezistente când montați, înlocuiți, curățați sau verificați șurubul de siguranță.
- Duceți produsul la un centru service autorizat pentru a înlocui etichetele deteriorate sau ilizibile.
- Verificați toate piulițele, suruburile la intervale frecvente de timp ca să fie corespunzător strânse pentru a vă asigura că echipamentul este în stare de lucru în siguranță.
- Verificați frecvent captatorul de iarbă de uzură, găuri sau deteriorări.
- Înlocuiți părțile uzate sau deteriorate înainte de operarea produsului.
- Produsul trebuie pornit cu utilizatorul în spatele ghidonului în zona de siguranță a operatorului. Nu porniți niciodată produsul dacă:
 - toate cele patru roți nu se află pe sol
 - sacul de colectare a ierbii tunse este expus, nefiind protejat de cutie și de capac
 - mâinile și picioarele tuturor persoanelor nu sunt în afara împrejmuirii cuștelor de tăiere
- Nu operați niciodată produsul dacă întrerupătorul pornit/oprit de pe mânerul de ghidare nu pornește și oprește corespunzător produsul.
- Nu încercați niciodată să blocați butonul de start în poziția PORNIT; este extrem de periculos.
- Nu forțați produsul. Aceasta va funcționa mai bine și mai sigur la viteza pentru care a fost proiectată.
- Opriți lama la trecerea pe suprafețe cu pietriș.
- Nu trageți produsul înspre înapoi decât dacă e absolut necesar. Dacă trebuie să vă deplasați înapoi cu mașina pentru a evita un perete sau un obstacol, în primul rând uitați-vă în jos și în spate pentru a evita împiedicarea sau trecerea cu mașina peste picioarele dvs.
- Opriți motorul și lăsați lama să se oprească în cazul în care mașina de tuns iarba a fost înclinată pentru a fi transportată, când se traversează suprafețe altele decât iarba, și

când transportați produsul la și de la zona unde se tunde iarba.

- Nu folosiți niciodată mașina cu apărători sau protecții defecte sau fără dispozitive de siguranță, de exemplu, deflectoare și / sau colectoare de iarbă, montate.
- Nu mișcați produsul în timpul pornirii motorului sau în timp ce motorul este în funcțiune. Dacă este absolut necesar, puteți înălța partea din față a mașinii pentru tuns gazonul cu nu mai mult de 5 cm pentru a permite pornirea facilă. Apăsăți în jos pe mâner pentru realizarea acestui lucru. Înainte de tunde gazonul, aduceți întotdeauna mașina pentru tuns gazon în poziție normală cu toate roțile pe pământ. Înclinarea mașinii pentru tuns gazonul expune lama și crește probabilitatea ca obiectele să fie aruncate, precum și contactul accidental cu lama.
- Porniți motorul cu grijă, conform instrucțiunilor și țineți mâinile și picioarele departe de lame. Nu puneți mâinile sau picioarele în apropierea sau sub piesele în rotație.
- Nu ridicați și nu purtați produsul când motorul funcționează.
- Opriți produsul, scoateți cheia izolatoare și bateria. Asigurați-vă că toate piesele mobile s-au oprit complet:
 - oricând lăsați produsul nesupravegheat (incluzând îndepărtarea bucăților de iarbă tăiate).
 - înainte de îndepărtarea unui blocaj sau înainte de golirea sacului
 - înainte de a verifica, curăța sau lucra asupra produsului
 - înainte de scoaterea cutiei de colectat iarba sau deschiderea apărătorii jghebului de golire a ierbii
 - după ce ați lovit un obiect străin; inspectați aparatul dacă e deteriorat și faceți reparații necesare înainte de a reporni și opera mașina.
 - dacă produsul începe să vibreze anormal (verificați imediat)
 - când inspectați de deteriorări, în special lamele.
 - înlocuiți sau reparați toate piesele deteriorate
 - verificați dacă există și strângeți orice piese desprinse

- Evitață găurile, fâgașele, pietrele sau alte obiecte ascunse. Nerenul nenivelat poate cauza alunecare sau cădere.
- Asigurați-vă întotdeauna că în timpul asamblării sau când pliați mânerul lui, cablul de control al motorului nu este niciodată prins, ciupit sau deteriorat.

AVERTISMENTE SUPLIMENTARE PRIVIND SIGURANȚA LA UTILIZAREA BATERIILOR

⚠ AVERTISMENT

Pentru a reduce pericolul unui incendiu și evitarea rănilor sau deteriorarea produsului în urma unui scurtcircuit nu imersați sula, acumulatorul de schimb sau încărcătorul în lichide și asigurați-vă să nu pătrundă lichide în aparate și acumulatori. Lichidele corosive sau cu conductibilitate, precum apa sărată, anumite substanțe chimice și înălbitori sau produse ce conțin înălbitori, pot provoca un scurtcircuit.

CARACTERISTICI PRODUS

SUPRASARCINĂ ȘI PROTECȚIE LA SUPRAÎNCĂLZIRE

Produsul este echipat cu un dispozitiv de protecție împotriva supratensiunii. Aparatul se oprește când este detectată o sarcină excesivă. Dacă este activat protectorul suprasarcină, butonul pornit-oprit poate fi eliberat. Apăsați butonul pornit-oprit pentru a reporni produsul.

Acumulatorul are protecție împotriva supraîncălzirii. Temperaturile excesive vor conduce la oprirea alimentării uneltei de la acumulator. Verificați bateria. Dacă este prea caldă, permiteți-i să se răcească înainte de operare. Dacă unealta nu funcționează în continuare, încărcați acumulatorul.

NOTĂ: Indicatorul LED al acumulatorului nu va funcționa dacă funcția de protecția a acumulatorul a condus la oprirea alimentării uneltei de la acumulator. Decuplați butonul de pornire/oprire sau scoateți bateria din produs, iar LED-ul indicator privind bateria va reveni la funcționare normală.

SFATURI GENERALE PRIVIND TUNDEREA

Tempul de funcționare al acumulatorului depinde de starea, lungimea și densitatea ierbii.

Reglați înălțimea de tăiere a mașinii de tuns iarba pentru a se potrivi stării prezente a gazonului ce vine tuns.

Condiții iarbă	Reglare sugerată a înălțimii.		Acoperire (maximum)	
	Prima trecere	Treceri succesive	Acumulator 4 Ah	Acumulator 5 Ah
Foarte subțire / Uscată	3	2	200 m ²	250 m ²
Subțire / Uscată	4	3 → 2	150 m ²	200 m ²
Medie / Densă	5	4 → 3	100 m ²	150 m ²

* Acumulator: RB18L40

- Pentru cea mai bună funcționare, tăiați întotdeauna o treime sau mai puțin din înălțimea totală a ierbii.
- Atunci când tăiați iarbă înaltă, reduceți viteza de înaintare pentru a permite o tăiere mai bună și o golire corespunzătoare a ierbii tăiate.
- Nu tăiați iarbă umedă; se va lipi de partea dedesubt a punții mașinii și va împiedica colectarea corespunzătoare a ierbii sau golirea ierbii tăiate.
- Iarba nouă sau deasă poate necesita o înălțime mai mare de tăiere.
- Dacă doriți să colectați iarba tăiată pentru a o arunca, scoateți secerătoarea și montați colectorul de iarbă și verificați să fie bine închis capacul containerului de colectare al ierbii. Goliți regulat caseta de colectare a ierbii, altfel jgheabul de evacuare va fi blocat de iarba tăiată.
- Dacă faceți o tundere ușoară și doriți ca iarba tăiată să rămână pe gazon, montați secerătoarea și închideți capacul de la colectorul de iarbă pentru a acoperi orificiul de evacuare a ierbii tunse. În acest caz nu este necesar să montați colectorul de iarbă.
- Produsul este conceput să funcționeze și să tundă cel mai eficient în timpul mișcării înainte.
- O înălțime mai mare de tăiere a ierbii

va prelungi perioada de funcționare a acumulatorului.

TRANSPORTAREA ȘI DEPOZITAREA

- Opriți produsul, scoateți cheia izolatoare și bateria. Asigurați-vă că toate piesele mobile s-au oprit complet. Lăsați produsul să se răcească înainte de depozitare sau de transportare cu un vehicul.
- Curățați toate materialele străine din produs. Depozitați-l într-un loc răcoros, uscat și bine aerisit ce este inaccesibil copiilor. Nu-l depozitați în apropiere de agenți corozivi cum ar fi produși chimici de grădărit sau săruri antigel. Nu depozitați în aer liber.
- În cazul transportării într-un vehicul, scoateți cheia izolatoare și asigurați produsul împotriva mișcării sau căderii, pentru a împiedica rănirea persoanelor sau deteriorarea produsului.

⚠ AVERTISMENT

Aveți deosebită grijă atunci când ridicăți sau înclinați produsul pentru mentenanță, curățare, depozitare sau transport, deoarece lama este ascuțită și păstrați părțile corpului departe de lamă atât timp cât este expusă.

TRANSPORTAREA BATERIILOR DE LITIU.

Transportați bateriile în conformitate cu prevederile și reglementările locale și naționale.

Urmați toate cerințele speciale privind împachetarea și etichetarea atunci când transportați baterii către un terț. Asigurați-vă că nicio baterie nu poate să intre în contact cu alte baterii sau materiale conductive în timpul transportului prin protejarea conectorilor expuși cu bandă, capace izolatoare neconductive. Nu transportați bateriile ce sunt crăpate sau care au scurgeri. Verificați cu firma transportatoare pentru recomandări ulterioare.

ÎNTREȚINERE

⚠ AVERTISMENT

Folositi doar piese de schimb, accesorii si atasamente originale ale producatorului. Neurmarea acestora poate cauza posibilă vătămare, slaba funcționare și ar putea anula garanția.

⚠ AVERTISMENT

Service-ul necesită atenție și cunoștințe deosebite și trebuie îndeplinit doar de către un tehnician service calificat. Duceți produsul la reparații numai într-un centru service autorizat. La efectuarea serviciului, folosiți doar piese de schimb originale ale producătorului.

- Opriți produsul, scoateți cheia izolatoare și bateria. Asigurați-vă că toate părțile mobile se află în stare completă de repaus înainte de a efectua o operație de curățare sau mentenanță.
- Puteți efectua reglajele și reparațiile descrise aici. Pentru alte reparații sau sfaturi, căutați asistență din partea unui centru service autorizat.
- Înlocuiți piesele uzate sau deteriorate pentru siguranță.
- Verificați frecvent dispozitivul de colectare a ierbii de uzură sau deteriorare.
- După fiecare folosire curățați produsul cu o cârpă moale și uscată. Orice piesă deteriorată trebuie să fie reparată în mod corespunzător sau înlocuită de un service autorizat.
- Verificați toate piulițele, suruburile la intervale frecvente de timp ca să fie corespunzător strânse pentru a vă asigura că produsul este în stare de lucru în siguranță.
- Aveți grijă, în timpul ajustării mașinii, să preveniți prinderea degetelor între lamele în mișcare și părțile fixe ale mașinii.
- Când faceți revizia lamelor, rețineți că, deși sursa de alimentare este oprită, lamele se pot mișca.
- Lama produsului este ascuțită. Folosiți atenție și purtați mănuși rezistente când montați, înlocuiți, curățați sau verificați surubul de siguranță.



- Înlocuiți lamele și șuruburile uzate sau deteriorate în seturi pentru a menține echilibrul.
- Șuruburile lamei trebuie strânse în mod corespunzător. **Consultați recomandările producătorului privind cuplul de torsiune al șuruburilor lamei care pot fi găsite în tabelul privind specificațiile produsului din acest manual.**

ELIBERAREA UNUI BLOCAJ

- Opriti produsul, scoateți cheia izolatoare și bateria. Asigurați-vă că toate piesele mobile s-au oprit complet.
- Purtați întotdeauna mănuși de protecție rezistente atunci când verificați și eliberați un blocaj.
- Lamele sunt ascuțite și obstrucția poate fi cauzată de un obiect ascuțit.
- Demontați colectorul de iarbă, verificați și curățați cu atenție obstrucțiile.
- Verificați jgheabul de evacuare a ierbii în privința obstrucțiilor și curățați cu atenție.
- Întoarceți produsul pe una din laturile sale, verificați partea de dedesubt și zona din jurul lamei. Dacă observați anumite obstrucții, îndepărtați-le cu atenție. Rețineți că lama se poate mișca în timpul curățării.

RISCURI REZIDUALE

Chiar dacă produsul este folosit așa cum a fost prescris, este totuși imposibil să se elimine complet anumiți factori de risc reziduali. Următoarele pericole pot apărea în timpul folosirii și operatorul trebuie să acorde o atenție specială pentru a evita următoarele:

- Vătămare cauzată de vibrație
 - Folosiți întotdeauna scula potrivită pentru lucrare. Folosiți mânerul prevăzute și restricționați timpul de lucru și expunerea.
- Vătămare cauzată de zgomot.
 - Expunerea la zgomot poate cauza vătămarea auzului. Purtați protecție pentru auz și limitați expunerea.
- vătămare de la contactul cu lamele
- Leziuni cauzate de obiecte proiectate

REDUCEREA RISCULUI

S-a raportat faptul că vibrațiile produse de uneltele manuale pot contribui, la anumite persoane, la o afecțiune denumită Sindromul Raynaud. Simptomele pot include furnicături, amorțeală și albirea degetelor, care apare, de obicei, după expunerea la frig. Factori ereditari, expunerea la frig și umiditate, dieta, fumatul și practicile de muncă contribuie la dezvoltarea acestor simptome. Există măsurători care pot fi efectuate de către operator pentru a reduce efectele de vibrațiilor:

- Păstrați-vă temperatura corporală ridicată pe vreme rece. Când operați produsul purtați mănuși pentru a menține calde mâinile și încheieturile. S-a constatat că vremea rece este un factor major care contribuie la sindromul Raynaud.
- După fiecare perioadă de operare, trebuie făcute exerciții pentru a crește circulația sângelui.
- Trebuie făcute pauze la intervale de timp regulate. Limitați expunerea zilnică.

Dacă sunt experimentate oricare dintre simptomele acestei afecțiuni, trebuie întreruptă utilizarea și consultat un medic.

⚠ AVERTISMENT

Pot fi cauzate sau agravate vătămările de la folosirea prelungită a aparatului. Atunci când folosiți o sculă pentru perioade prelungite, asigurați-vă că luați pauze regulate.

CUNOAȘTEȚI-VĂ PRODUSUL

Vezi pagina 193.

Părți

1. Mâner
2. Buton pornire-oprire.
3. Butonul de pornire
4. Cablu de control motor
5. Dispozitiv de retenție a comenzii motorului
6. Ușă acumulator
7. Buton rotativ mâner
8. Indicator casetă colectare iarbă plină
9. Captator de iarbă
10. Capac container de colectare iarbă
11. Mecanism de blocare mâner
12. Roată spate
13. Manetă de reglare a înălțimii
14. Roată față



- 15. Cheie de contact
- 16. Acumulator
- 17. Încărcător
- 18. Duză pentru mulcire

SIMBOLURILE DE PE PRODUS



Citiți și înțelegeți toate instrucțiunile înainte de a opera produsul, urmați toate avertizările și instrucțiunile de siguranță.



Purtați protecție pentru urechi



Purtați întotdeauna ochelari de protecție



Nu folosiți pe pante mai mari de 15°. Tundeți de-a latul pantei, niciodată sus și în jos.



Nu expuneți la ploaie sau umezeală.



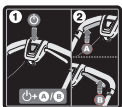
Fiți atent la lamele ascuțite. Lamele continuă să se rotească după ce motorul a fost oprit - Scoateți cheia izolatoare înainte de efectuarea întreținerii



Ferțiți-vă de obiecte proiectate sau în zbor. Țineți toți trecătorii, în special copiii și animalele de companie la cel puțin 15 metri de zona de operare.



Mânerul dispune de 3 nivele de ajustare a înălțimii. Verificați pentru a vă asigura că tuburile sunt introduse în mod corespunzător, îndeosebi la nivelul cel mai înalt. Mânerul poate aluneca din găuri dacă nu este introdus și blocat corespunzător.



Apăsăți butonul Start apoi butonul (A, B) pornire-oprire pentru a pune produsul în funcțiune. Eliberați butonul Start și mențineți apăsat butonul pornire-oprire pentru a menține produsul funcționând. Eliberați butonul pornit-oprit pentru a opri produsul.



Pornește



Stop



Vă rugăm citiți instrucțiunile cu atenție înainte de pornirea aparatului.



Deșeurile produselor electrice nu trebuie eliminate împreună cu deșeurile casnice. Vă rugăm reciclați acolo unde există facilități. Verificați la autoritatea dvs locală sau la vânzător pentru sfaturi privind reciclarea.



Acest aparat este conform cu ansamblul normelor reglementare din țara din UE în care a fost cumpărat.



Marcaj de conformitate EurAsian



Semn de conformitate ucrainean



Nivelul de putere acustică indicat pe eticheta acestui echipament este de 96 dB.

Următoarele cuvinte de semnalizare sunt destinate a explica nivelele de risc asociate cu acest produs:

PERICOL

Indică o situație periculoasă iminentă, care dacă nu este evitată va cauza decesul sau vătămarea gravă.

AVERTISMENT

Indică o situație periculoasă iminentă, care dacă nu este evitată poate rezulta în deces sau vătămare gravă.

ATENȚIE

Indică o situație potențial periculoasă, care dacă nu este evitată poate cauza vătămarea moderată sau ușoară.

ATENȚIE

(Fără simbol de alertă de siguranță) Indică o situație ce poate rezulta în distrugerea proprietății.

SIMBOLURI DIN ACEST MANUAL



Piese sau accesorii vândute separat



Notă



Avertisment

Izstrādājot šo jūsu brezžična kosilnica, īpaši uzmanība veltīta drošībai, veiktspējai un uzticamībai.

PAREDZĒTAIS LIETOJUMS

Bezvadu pļaujmašīna ir paredzēta lietošanai tikai ārpus telpām.

Šis izstrādājums ir paredzēts mājas zālāja pļaušanai. Griezējasmehānismam jāgriežas apmēram paralēli zemei, virs kuras tas tiek pārvietots. Pļaušanas laikā visiem četriem riteņiem jāpieskaras zemei. Tas ir stumjams zāles plāvējs, kuru paredzēts stumt ar rokām.

Preci nekad nedrīkst darbināt ar paceltiem riteņiem. To nedrīkst vilkt vai uz tās braukt. To nevajadzētu lietot citu materiālu griešanai kā tikai mājas zālienam.

Nelietojiet citiem mērķiem.

VISPĀRĪGIE DROŠĪBAS BRĪDINĀJUMI

▲ BRĪDINĀJUMS

Izmantojot ierīci, izpildiet drošības noteikumus. Pirms darba uzsākšanas Jūsu un blakusstāvētāju drošības dēļ, lūdzu, izlasiet šos norādījumus. Lūdzu, glabājiet noteikumus drošā vietā vēlākai izmantošanai.

▲ BRĪDINĀJUMS

Izmantojiet izstrādājumu tikai ar akumulatoru blokiem, kas norādīti šajā rokasgrāmatā. Lietojot ar baterijām darbināmu ierīci, vienmēr jāievēro pamata drošības noteikumi, lai samazinātu ugunsgrēka, bateriju iztecēšanu un ievainojumu risku.

PERSONISKĀ DROŠĪBA

- Produkts spēj amputēt rokas un kājas kā arī mest pa gaisu priekšmetus. Nesilaikant visu saugos taisyklių galima rimtai susižeisti ar net žūti.
- Iepazīstieties ar ierīces vadīšanu un pareizu lietošanu.
- Nekad nepieļaujiet, lai šī izstrādājuma ekspluatāciju, tīrīšanu vai apkopi veiktu bērni, personas ar samazinātām fiziskajām, maņu vai garīgajām spējām vai arī personas, kuras nav iepazinušās ar šiem norādījumiem. Vietos įstatymai

gali apriboti įrengimo operatoriaus amžiu. Nepieciešams pienācīgi uzmanīt bērnus, lai nodrošinātu, ka tie nespēlējas ar ierīci.

- Strādājot ar ierīci, uzmanieties, sekojiet savam darbam un vadieties pēc veselā saprāta. Nedarbiniet šo ierīci, kad esat noguris, slims vai alkohola, narkotisko vielu vai medikamentu ietekmē. Neuzmanība darbā ar ierīci var izraisīt smagus ievainojumus.
- Valkājiet izturīga auduma garās bikses, garās piedurknes un izturīgus, neslīdošus apavus. Nevalkājiet īsas bikses, sandales neestrādājiet ar plikām kājām. Nevelciet vaļīgu apģērbu vai apģērbu ar auklām un lentēm.
- Visada dēvēkite apsauginius akinius su šonine apsauga.
- Vienmēr nodrošiniet kājām stingru atbalstu, it īpaši slīpumā. Visada tvirtai stovēkite ir išlaikykite pusiausvyrą. Ejiet, nekādā gadījumā neskrieniet.
- Lietojiet precī paralēli nogāzēm, nekad no augšas uz leju. Būkite itin atsargūs ant šlaitų keisdami kryptį.
- Nelietot izstrādājumu bedru, grāvju, pārlieki stāvu nogāžu vai krasta malu tuvumā. Galite paslysti ir pargriūti.

DARBA VIETA

- Nekad neizmantojiet šo precī, kamēr cilvēki, īpaši bērnu vai mājdzīvnieki atrodas 15m attālumā, jo pastāv briesmas, ka saskaroties ar asmeni gaisā var tikt uzmeti priekšmeti.
- Nuo žoliapjovės geležčių atsitrenkę objektai gali sunkiai sužaloti žmones. Rūpīgi pārbaudiet vietu, kur lietosiet ierīci un aizvāciet visus akmeņus, žaģarus, metālu, vadus, kaulus, rotallietas vai citus svešķermeņus. Aterieties, stieple vai vads var sapīties ar asmeņiem.
- Izmantojiet precī tikai dienas gaismā vai labā mākslīgā apgaismojumā.
- Nedarbiniet ierīci sprādzienbīstamā vidē, piemēram, degošu šķidrumu, gāzu vai putekļu klātbūtnē. Ierīce var radīt dzirksteles, kas var aizdedzināt putekļus vai gāzes.
- Nedarbiniet ierīci mitrā zālē vai lietus laikā.
- Nelietojiet ierīci, kad pastāv zibens spēriena risks.



- Turēkite omenyje, kad operatorius arba vartotojas yra atsakingas už nelaimingus atsitikimus arba kitiems asmenims ar jų turtui sukeltą pavojų.
- Operatoriui nežinant, kad šalia yra vaikai, gali įvykti nelaimingi atsitikimai. Iekārta un pļaušanas darbības bieži vien piesaista bērnu uzmanību. Niekada nemanykite, kad vaikai išliks toje pačioje vietoje, kur juos pirmiau matėte.
- Turiet bērnus atstātus no pļaušanas zonas, lieciet tos pieskatīt atbildīgam pieaugušajam, kas nav pļaujmašīnas lietotājs, esiet uzmanīgs un izslēdziet izstrādājumu, ja bērns ienāk pļaušanas zonā.
- Ievērojiet īpašu piesardzību, tuvojoties nepārskatāmiem stūriem, krūmiem, kokiem vai citiem objektiem, ieskaitot nokareņus augus, kas var aizsegēt jūsu skatu.

AR AKUMULATORU DARBINĀMU IERĪČU LIETOŠANA UN KOPŠANA

- Izlasiet, izprotiet un vienmēr ievērojiet akumulatora un lādētāja komplektā iekļautos drošības norādījumus. Pretējā gadījumā varat izraisīt elektrošoku, aizdegšanos vai citas bīstamas situācijas. Visas instrukcijas glabājiet drošā vietā turpmākām uzziņām.
- Ar akumulatoru darbināmas ierīces nav jāpievieno elektriskajai kontaktligzdai, tāpēc tās vienmēr ir darba kārtībā. Noņemiet izolatora atslēgu, kad nedarbiniet precī.
- Izņemiet akumulatoru pirms regulēšanas, tīrīšanas vai objektu izņemšanas no ierīces.
- Pirms akumulatora ievietošanas slēdža atslēga noteikti jāizņem.
- Akumulators jālādē tikai ar ražotāja noteikto lādētāju. Lādētāja lietošana ar nesaderīgu akumulatoru var izraisīt ugunsgrēka risku. Akumulatora uzlādēšanai lietojiet tikai nosaukto tipu lādētāju.
- Lietojiet tikai konkrētajai ierīcei paredzēto akumulatoru. Jebkura cita akumulatora lietošana var radīt ugunsgrēka, elektriskā trieciena vai ievainojumu risku.
- **Kad nelietojat akumulatoru, neturiet to citu metāla priekšmetu tuvumā, piemēram: papīra saspraudes, monētas, atslēgas, naglas, skrūves vai citi sīki**

metāla priekšmeti, kas var veidot savienojumu starp spailēm. Savienojot bateriju paketes terminālus, var rasties dzirksteles, apdegumi, aizdegšanās vai eksplozija.

- Nenovietojiet akumulatoru izstrādājumus vai to akumulatorus uguns vai karstuma avotu tuvumā. Tas palielina eksplozijas un miesas bojājumu gūšanas risku.
- Neatveriet un neizjauciet akumulatoru. Izliets elektrolīts ir korodējošs un var radīt bojājumus acīm vai ādai. Norijot tas ir toksisks.
- Sargājiet akumulatoru no mitruma un ūdens. Nelādējiet akumulatoru mitrā vietā. Šī noteikuma ievērošana samazinās elektrotraumu risku.
- Akumulatora bojājuma un nepareizas lietošanas gadījumā var izdalīties tvaiks. Nodrošiniet svaigu gaisu un sūdzību gadījumā lūdziet medicīnisku palīdzību. Tvaiks var kairināt elpošanas sistēmu.
- Neatstājiet bateriju paketi transportlīdzeklī karstos vai aukstos laikapstākļos.
- Nesadedziniet akumulatoru.
- Nepareizas rīcības gadījumā no akumulatora var izkļūt šķidrums; izvairieties no saskares ar to. Nejaušas saskares gadījumā skalojiet skarto vietu ar ūdeni. Ja šķidrums nokļūst acīs, nepieciešama arī medicīniskā palīdzība. No akumulatora izkļuvušais šķidrums var izraisīt kairinājumu vai apdegumus.

ZĀLES PĻĀVĒJA DROŠĪBAS BRĪDINĀJUMI

- Pirms lietošanas vienmēr apskatiet, vai asmeņi, asmeņu skrūves un griezēja mezgls nav izdilis vai bojāts.
- Nomainiet izdilušos vai bojātos asmeņus un skrūves, lai saglabātu simetriju.
- Preces asmens ir ass. Esiet uzmanīgi un valkājiet izturīgus cimdus, kas pievienojat, nomaināt, tīrāt vai pārbaudāt skrūves drošību.
- Nesiet precī uz pilnvarotu pakalpojumu centru, lai nomainītu bojātos vai nesalasāmās uzlīmes.
- Bieži un regulāri pārbaudiet visu uzgriežņu, bultskrūvju un skrūvju stingrību, lai pārliecinātos, vai aprīkojums ir drošā darba stāvoklī.





- Bieži pārbaudiet, vai zāles satvērējs nav nolietojies, nodilis, kā arī vai tajā nav radušies caurumi.
- Pirms izstrādājuma lietošanas, aizvietojiet nolietoto vai bojātas detaļas.
- Preci jāiedarbina, lietotājam atrodoties aiz roktura, operatora drošības zonā. Nekad nedarbiniet precī, ja:
 - visi četri riteņi neatrodas uz zemes
 - zāles izmešanas atvere ir atvērta un to neaizsargā zāles uztveršanas grozs un zāles izmešanas atveres aizsargvāks
 - visi personu rokas un pēdas ir pakļautas griešanas ierīcēm
- Nekad nedarbiniet precī, ja iesl./izsl. slēdzis uz roktura pareizi neieslēdzas un neaptur precī.
- Nekad nemēģiniet ieslēgšanas/izslēgšanas slēdžus bloķēt ieslēgšanas pozīcijā, jo tas ir ļoti bīstami.
- Nepielietojiet spēku, izmantojot ražojumu. Tas darbu darīs labāk un drošāk ar ātrumu, kādam tas ticis izstrādāts.
- Apturiet asmeni, kad šķērsojat grantētas virsmas.
- Nevilkiet izstrādājumu atmuguriski, izņemot, ja absolūti nepieciešams. Ja ierīce ir jāvirza atpakaļ no sienas vai šķēršļa, vispirms paskatieties uz leju un aiz sevis, lai nepakļūtu vai neuzvilktu ierīci uz kājām.
- Ja zāles plāvējs ir jāsasver transportēšanai, šķērsojot citas virsmas, izņemot zāli, un transportējot zāles plāvēju uz plaujamo teritoriju vai no tās, izslēdziet motoru un pagaidiet, līdz asmens apstājas.
- Nekad nelietojiet iekārtu, ja ir bojāti aizsargi vai pārsegi vai drošības ierīces, piemēram, deflektori un/vai zāles savācējs, neatrodas vietā.
- Nesasveriet produktu, kad ieslēdzat motoru vai kamēr motors darbojas. Ja īpaši nepieciešams, jūs varat pacelt plaujmašīnas priekšpusi ne vairāk kā 5 cm, lai atvieglotu palaišanu. Lai to panāktu, spiediet uz leju rokturi. Pirms sākt plaušanu, vienmēr atgrieziet plaujmašīnu tās normālajā stāvoklī at visiem četriem riteņiem uz zemes. Plaujmašīnas pacelšana atsedz asmeni, palielinot iespējamību dažādu priekšmetu mešanai un nejaušai saskarsmei ar asmeni.
- Uzmanīgi, saskaņā ar norādēm ieslēdziet motoru, turiet rokas un kājas atstatu no asmeņiem. Nenovietojiet rokas vai kājas zem rotējošām detaļām vai to tuvumā.
- Nekad nepaceliet vai nesiet precī, kamēr darbojas motors.
- Apturiet izstrādājumu, izņemiet bloķēšanas atslēgu un noņemiet akumulatoru. Pārliecinieties, ka visas kustīgās daļas ir pilnīgi apstājušās:
 - ja atstājat precī nepieskatītu (tai skaitā atbrīvojoties no zāles).
 - pirms tīrīt nosprostojumu vai atbrīvotu zāles izmešanas atveri
 - pirms iekārtas pārbaudes, tīrīšanas vai labošanas
 - pirms noņemt zāles tvertni vai atvērt zāles izmešanas izvada pārsegu.
 - pēc sadursmes ar kādu priekšmetu; pārbaudiet, vai iekārta nav bojāta, un veiciet pirms iedarbināšanas un lietošanas veiciet nepieciešamos remontdarbus.
 - ja iekārta sāk neparasti vibrēt (pārbaudiet nekavējoties)
 - pārbaudot vai nav bojājumu, īpaši asmeņi
 - nomainiet vai salabojiet bojātās daļas
 - pārbaudiet un pievelciet vajīgās detaļas
- Venkīte skyliu, provēžu, išķilīmu, akmeņu ar kitu paslēptu objektu. Nelīdzena zeme var novest pie nejaušas paslīdēšanas un kritiena.
- Vienmēr nodrošiniet, ka motora kontroles kabelis nekad nav iesprūdis, saspīests vai kā citādi bojāts, salikšanas laikā, vai kad turat rokturi.



PAPILDU AKUMULATORU BLOKA DROŠĪBAS BRĪDINĀJUMI

⚠ BRĪDINĀJUMS

Lai novērstu īssavienojuma izraisītu aizdegšanās, savainojumu vai produkta bojājuma risku, neiegremdējiet instrumentu, maināmo akumulatoru vai uzlādes ierīci šķidrums un rūpējieties par to, lai ierīcēs un akumulatoros neiekļūtu šķidrums. Koroziju izraisoši vai vadītspējīgi šķidrums, piemēram, sālsūdens, noteiktas ķīmikālijas, balinātāji vai produkti, kas satur balinātājus, var izraisīt īssavienojumu.

IZSTRĀDĀJUMA ĪPAŠĪBAS

PĀRSLODZES UN PĀRKARŠANAS AIZSARDZĪBA

Šis izstrādājums ir aprīkots ar pārslodzes aizsardzības ierīci. Konstatējot pārslodzi, izstrādājums automātiski izslēdzas. Ja pārslodzes aizsargs ir iedarbināts, ieslēgšanas-izslēgšanas pogu jāatbrīvo. Nospiediet ieslēgšanas-izslēgšanas pogu, lai restartētu precī.

Baterijas pakai ir pārkaršanas aizsardzība. Pārmērīgā temperatūrā akumulators nenodrošinās instrumenta barošanu. Pataustiet akumulatoru bloku, ja tas ir pārāk silts, ļaujiet tam atdzist, pirms atsākt pļaušanu. Ja instruments joprojām nedarbojas, uzlādējiet akumulatoru.

PIEZĪME: Akumulatora uzlādes indikatora gaismas diode nedarbosies, ja akumulatora aizsargfunkcija ir apturējusi instrumenta barošanu. Atlaidiet ieslēgšanas-izslēgšanas pogu vai noņemiet akumulatoru bloku no izstrādājuma un akumulatoru bloka LED indikators atsāks normāli darboties.

VISPĀRĪGI PĀRVIETOŠANAS PADOMI

Akumulatora darbības laiks ir atkarīgs no zāles stāvokļa, garuma un blīvuma.

Noregulējiet zāles plāvēja pļaušanas augstumu atbilstoši pļaujamā zālāja stāvoklim.

Zāles stāvoklis	Ieteicamā augstuma regulēšana		Pārklājums (maksimālais)	
	Pirmais gājieni	Turpmākie gājieni	4 Ah baterija	5 Ah baterija

Ļoti plāns/sauss	3	2	200 m ²	250 m ²
Plāns/sauss	4	3 → 2	150 m ²	200 m ²
Vidējs/blīvs	5	4 → 3	100 m ²	150 m ²

* Akumulators: RB18L40

- Lai nodrošinātu pēc iespējas labākus rezultātus, vienmēr nopļaujiet ne vairāk kā trešdaļu no zāles kopējā augstuma.
- Pļaudami aukstā žolē sumažināte ējimo greitī. Taip pļovimas bus efektyvesnis ir geriau išsivalys nuopjovos.
- Nepļaujiet slapju zāli, jo tā pielīp zem platformas un neļauj pareizi savākt vai izmest zāles atgriezumus.
- Jaunai vai biežai zālei var būt nepieciešams lielāks pļaušanas augstums.
- Ja jūs vēlaties savākt nopļauto zāli, izņemiet mulčēšanas ielikti un uzlieciet zāles savācēju, pārliecinieties, ka zāles izmešanas atveres vāks ir kārtīgi aizvērts. Regulāri iztukšojiet zāles kasti, pretējā gadījumā izvade tiks nobloķēta ar zāli.
- Ja veicat nelielas zāles pļaušanu un vēlaties, lai nopļautā zāle paliktu zālājā, uzstādiēt mulčēšanas aizbāzni un aizveriet zāles izmešanas vāku, lai aizvērtu zāles izmešanas atveri. Šajā gadījumā nav nepieciešams uzstādīt zāles uztvērēju.
- Produkts ir veidots, lai visefektīvāk darbotos un pļautu, virzoties uz priekšu.
- Lielāks pļaušanas augstums paildzina akumulatora darbības laiku.

TRANSPORTĒŠANA UN UZGLABĀŠANA

- Apturiet izstrādājumu, izņemiet bloķēšanas atslēgu un noņemiet akumulatoru. Pārliecinieties, ka visas kustīgās daļas ir pilnīgi apstājušās. Ļaujiet produktam atdzist, pirms novietot glabāšanai vai transportēt automašīnā.
- Notīriet visus svešķermeņus no izstrādājuma. Uzglabājiet to vēsā, sausā un labi vēdinātā vietā, kurai nevar piekļūt bērni. Neglabājiet to vietā, kur tuvumā atrodas korozīvas vielas, piemēram dārza darbos izmantojamas ķīmikālijas vai atsaldēšanai domāta sāls. Neuzglabājiet ārpus telpām.
- Pārvadāšanai transportlīdzeklī, izņemiet

bloķēšanas atslēgu un nodrošiniet, ka izstrādājums nekustas vai nevar nokrist, lai izvairītos no ievainojumiem un izstrādājuma bojājumiem.

▲ BRĪDINĀJUMS

Ievērojiet tīpašu piesardzību, ceļot vai pieliecot izstrādājumu apkopšanai, tīrīšanai, uzglabāšanai vai pārvadāšanai, asmens ir ass, turiet visas ķermeņa daļas atstatu no asmens, kamēr tas ir atklāts.

LITĪJA BATERIJU TRANSPORTĒŠANA

Transportējiet baterijas saskaņā ar vietējiem un valsts noteikumiem un regulām.

Ievērojiet visas tīpašās prasības saistībā ar iepakojšanu un marķēšanu, transportējot trešās puses baterijas. Nodrošiniet, ka baterijas transportā nevar nonākt saskarē ar citām baterijām vai vadītspējīgiem materiāliem, aizsargājot atklātos savienotājus ar nevadošiem izolācijas vāciņiem vai lentēm. Netransportējiet ieplaisājušas baterijas vai baterijas, kurām ir noplūde. Lūdziet padomu kravu pārvadāšanas uzņēmumam.

APKOPE

▲ BRĪDINĀJUMS

Lietojiet tikai oriģinālās ražotāja rezerves daļas, piederumus un uzgaļus. Pretējā gadījumā var tikt radīti ievainojumi un parādīts slikts sniegums, kā arī var tikt anulēta garantija.

▲ BRĪDINĀJUMS

Aptarnavimā atlikti būtina itin atīdžiai, todėl rekomenduojame, kad techninę apžiūrą vykdytų kvalifikuotas specialistas. Veiciet apkalpošanu tikai pilnvarotā servisa centrā. Veicot apkopi, lietojiet tikai oriģinālās ražotāja rezerves daļas.

- Apturiet izstrādājumu, izņemiet bloķēšanas atslēgu un noņemiet akumulatoru. Pārlicinieties, ka visas kustīgās daļas ir pilnīgi apstājušās, pirms veikt jebkādas tīrīšanas vai apkopes darbus.
- Jūs varat veikt šeit aprakstītos pielāgojumus un remontu. Cita veida remontam vai konsultācijām, vērsieties pēc padoma

autorizētā servisa centrā.

- Drošības apsvērumu dēļ nomainiet nodilušās vai bojātās daļas.
- Pastoviai tikrinkite, ar žolės gaudytuvas nėra susidėvėjęs ar sugedęs.
- Pēc katras lietošanas reizes notīriet precī ar mīkstu, sausu drāniņu. Jebkura bojāta detaļa jānodod remontam vai nomaīņai pilnvarotā apkopes centrā.
- Regulāri pārbaudiet visus uzgriežņus, stiprinājumus un skrūves, lai pārlicinātos, ka tās ir cieši pievilktas un izstrādājums ir drošā darba stāvoklī.
- Regulējot iekārtu, rīkojieties uzmanīgi, lai neiespiestu pirkstus starp iekārtas kustīgajiem asmeņiem un fiksētajām daļām.
- Veicot asmeņu apkopi, atcerieties, ka pat pēc atslēgšanas no strāvas avota asmeņi joprojām var kustēties.
- Preces asmens ir ass. Esiet uzmanīgi un valkājiet izturīgus cimdus, kas pievienojat, nomaināt, tīrāt vai pārbaudāt skrūves drošību.
- Nomainiet izdilušos vai bojātos asmeņus un skrūves, lai saglabātu simetriju.
- Asmens skrūvei ir jābūt pietiekoši novilktaī. **Skatiet ražotāja ieteikumus par asmens skrūves pievilšanas spēku, kurus var atrast šīs rokasgrāmatas izstrādājumu specifikāciju sadaļā.**

NOSPROSTOJUMA NOVĒRŠANA

- Apturiet izstrādājumu, izņemiet bloķēšanas atslēgu un noņemiet akumulatoru. Pārlicinieties, ka visas kustīgās daļas ir pilnīgi apstājušās.
- Pārbaudot un novēršot nosprostojumus, vienmēr izmantojiet izturīgus aizsargcimdus.
- Asmeņi ir asi un nosprostojumus pats var būt ass priekšmets.
- Noņemiet zāles uztvērēju, pārbaudiet vai nav un izņemiet jebkādas šķēršļus.
- Pārbaudiet zāles izmešanas atveri, vai tajā nav nosprostojumu, un kārtīgi to iztīriet.
- Pagrieziet izstrādājumu uz sāna, pārbaudiet tā apakšdaļu un zonu ap asmeni. Atrodot kādus nosprostojumus, uzmanīgi tos iztīriet. Atcerieties, ka tīrīšanas laikā asmens var kustēties.

OBJEKTĪVIE RISKI

Pat ka prece ir lietotā kā noteikts, nav iespējams pilnībā novērst noteiktus riska faktorus. Turpmāk norādītie riski var rasties lietošanas laikā un operatoram īpaša uzmanība jāpievērš, lai izvairītos no turpmāk minētā:

- Vibrācijas radīts ievainojums
 - Vienmēr izmantojiet darbam paredzēto instrumentu. Izmantojiet norādītos rokturus un ierobežojiet laiku, cik ilgi izmantojat ierīci.
- Trokšņa radīti miesas bojājumi
 - Saskarsme ar troksni var radīt dzirdes traucējumus. Valkājiet ausu aizsargu un ierobežojiet saskarsmi.
- savainojumi no saskares ar asmeņiem
- Izmestu priekšmetu radīti ievainojumi

RISKA SAMAZINĀŠANA

Ir ticis ziņots, ka vibrācijas no rokas instrumentiem atsevišķos cilvēkos var veicināt kaiti, ko sauc par Reino sindromu. Simptomi var ietvert pirkstu tīkšķēšanu, nejutīgumu un nobālēšanu, parasti aukstā laikā. Tiek uzskatīts, ka tradicionālie faktori, aukstums un mitrums, uzturs, smēķēšana un darba prakse sekmē šo simptomu attīstību. Operators var veikt pasākumus, lai iespējami samazinātu vibrācijas efektu:

- Aukstā laikā ķermenim jābūt siltam. Kad darbināt precī valkājiet cimdus, lai rokas un plaukstu locītavas būtu siltas. Ir pētījumi, ka auksts laiks ir galvenais faktors, kas veicina Reino sindromu.
- Ik pēc laika apturiet darbu un veiciet vingrinājumus, kas uzlabo asins cirkulāciju.
- Strādājot jābūt biežiem pārtraukumiem. Ierobežojiet iedarbības ilgumu dienā.

Ja jūs izjūtat kādu no šiem simptomiem, nekavējoties apturiet ierīces lietošanu un sazinieties ar ārstu par šiem simptomiem.

⚠ BRĪDINĀJUMS

Ilgstoša preces lietošana var radīt ievainojumus vai pasliktināt jau esošos. Ilgstoši lietojot jebkuru instrumentu, pārliecinieties, ka tiek veikti regulāri pārtraukumi.

PAZĪSTIET SAVU IERĪCI

Skatīt 193. lappusi

Daļas

1. Rokturis
2. Ieslēgšanas-izslēgšanas poga
3. Palaišanas poga
4. Motora vadības kabelis
5. Motora vadības vada aizture
6. Akumulatora nodalījuma durvīņas
7. Roktura slēdzis
8. Indikators zāles kaste ir pilna
9. Zāles satvērējs
10. Zāles izmešanas atveres vāks
11. Roktura fiksators
12. Aizmugures ritenis
13. Aukšācija lygio regulatori
14. Priekšējais ritenis
15. Slēdža atslēga
16. Akumulators
17. Lādētājs
18. Smalcinātājs

UZ PRECES ESOŠIE SIMBOLI



Pirms preces darbināšanas izlasiet un izprotiet visus norādījumus, ievērojiet visus brīdinājumus un drošības norādījumus.



Lietojiet dzirdes aizsargus



Valkājiet acu aizsargaprīkojumu



Nedarbiniet slīpumā, kas ir lielāks par 15°. Pjaukrite skersai šlaitu, nekad nepjaukrite aukštny ir žemyn.



Nepakļaujiet lietum vai mitriem apstākļiem.



Uzmanieties no asiem asmeņiem. Asmeņi turpina rotēt pēc tam, kad motors ir izslēgts — Noņemiet izolatora atslēgu pirms apkopes

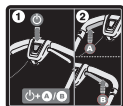


Sargieties no izmestiem vai lidojošiem priekšmetiem. Rūpējieties, lai visi tuvumā stāvošie, īpaši bērni un dzīvnieki atrastos vismaz 15 m attālumā no darba zonas



Rokturis ir izveidots ar iespēju regulēt tā augstumu 3 stāvokļos. Pārbaudiet vai caurules ir pareizi ievietotas, it sevišķi izmantojot to augstākajā līmenī. Rokturis var izslīdēt no atverēm, ja tas nav pareizi ievietots un nofiksēts.

Lai iekārtu iedarbinātu, nospiediet palaišanas pogu, pēc tam ieslēgšanas-izslēgšanas pogu (A vai B). Lai iekārta darbotos, atlaidiet iedarbināšanas pogu un turiet nospiestu ieslēgšanas-izslēgšanas pogu. Atlaidiet ieslēgšanas/izslēgšanas pogu, lai apturētu ierīci.



Aiziet



Apturēt



Pirms iedarbināt mašīnu, lūdzu rūpīgi izlasiet instrukcijas.



Izlietotie elektroprodukti nedrīkst tikt izmesti kopā ar māsaimniecības atkritumiem. Lūdzu, nododiet tos attiecīgajās atk ār totas izmantošanas vietās. Sazinieties ar savu vietējo varas pārstāvi vai izplatītāju, lai noskaidrotu, kur iespējama atkārtota pārstrāde.



Darbarīks atbilst visām normām ES valstī, kurā tas ir iegādāts.



EurAsian atbilstības marķējums



Ukrainas apstiprinājuma zīme



Uz šīs etiķetes norādītais garantētā skaņas spiediena jauda ir 96 dB.

Šādi signālvārdi un nozīmes ir paredzētas, lai izskaidrotu ar precī saistītā riska līmeņus:

BĪSTAMI

Norāda draudošo bīstamo situāciju, kas, ja no tās neizvairās, var novest pie nāves vai nopietnas traumas.

BRĪDINĀJUMS

Norāda potenciālo bīstamo situāciju, kas, ja no tās neizvairās, var novest pie nāves vai nopietnas traumas.

UZMANĪBU

Norāda potenciālo bīstamo situāciju, kas, ja no tās neizvairās, var novest pie nelielas vai vidējas traumas.

UZMANĪBU

(Bez drošības trauksmes simbola), kas norāda, uz situāciju, kas var novest pie tpašuma bojājuma.

SIMBOLI ŠAJĀ ROKASGRĀMATĀ



Atsevišķi nopērkamās daļas vai piederumi



Piezīme



Brīdinājums

Projektuojant bežična kosilica, didžiausias prioritetas suteiktas saugai, eksploatacinėms savybėms ir patikimumui.

NAUDOJIMO PASKIRTIS

Belaidė vejapjovė yra skirta naudoti tik lauke.

Šis produktas yra skirtas pjauti žolę aplink namus. Pjovimo geležtė turi sukurti apytiksliai lygiagrečiai žemei, virš kurios ji stumiama. Pjaunant žolę visi keturi ratukai turi liesti žemę. Tai – pėsčiojo einant iš paskos ir stumiant ranka valdoma vejapjovė.

Gaminio jokia būdu negalima naudoti, jeigu ratukai nesiekia žemės. Jos negalima traukti arba ant jos važiuoti. Šį prietaisą galima naudoti tik pjauti žolę aplink namus, o ne kitose vietose.

Nenaudokite kitais tikslais.

BENDRIEJI SAUGOS ĮSPĖJIMAI

⚠ ĮSPĖJIMAS

Būtina laikytis saugos reikalavimų naudojantis šiuo produktu. Dėl savo pačių ir šalia esančių asmenų saugumo, perskaitykite šias instrukcijas prieš pradėdami dirbti prietaisu. Išsaugokite šią instrukciją ateičiai.

⚠ ĮSPĖJIMAS

Įrenginį naudokite tik su šiame vadove nurodytu elektros akumuliatoriumi. Naudojant įrankius su akumuliatoriumi, būtina atsižvelgti į elementarias saugumo priemones, kad sumažintumėte gaisro, skysčio iš akumuliatorių ištekėjimo ir sužeidimo pavojų.

ASMENINĖ SAUGA

- Įrenginys gali amputuoti rankas ir pėdas, taip pat svaityti daiktus. Nesilaikant visų saugos taisyklių galima rimtai susižeisti ar net žūti.
- Gerai žinoti apie valdiklius ir tinkamą krūmapjovės naudojimą.
- Jokiu būdu neleiskite naudoti, valyti ar prižiūrėti prietaisą vaikams, žmonėms su robotais fiziniiais, jutikliniais ar protiniais gebėjimais, arba nesusipažinusiems su šiomis instrukcijomis asmenimis. Vietos

įstatymai gali apriboti įrengimo operatoriaus amžių. Vaikus reikia tinkamai prižiūrėti, kad jie nežaistų su krūmapjovė.

- Dirbdami su prietaisu būkite budrūs, stebėkite, ką darote bei vadovaukitės sveika nuovoka. Nesinaudokite šiuo įrankiu, kai esate pavargę, sergate, ar esate pavartoję alkoholio, narkotikų ar vaistų. Neatidžiai elgdamiesi su šiuo prietaisu galite sunkiai susižeisti.
- Dėvėkite sunkias, ilgas kelnes, ilgas rankoves ir tvirtą, neslystančią avalynę. Neleidžiama vilkėti trumpių kelnių ir avėti sandalų ar būti basiems. Nedėvėkite laisvų drabužių arba drabužių su kabančiais raišteliais arba virvelėmis.
- Visada dėvėkite apsauginius akinius su šonine apsauga.
- Būtinai apsižiūrėkite, kad po kojomis būtų tvirtas pagrindas, ypač dirbdami atšlaitėse. Visada tvirtai stovėkite ir išlaikykite pusiausvyrą. Visada eikite, niekada nebėkite.
- Šlaituose gaminį reikia stumti skersai, joku būdu ne aukštyn ir žemyn šlaito. Būkite itin atsargūs ant šlaitų keisdami kryptį.
- Nenaudokite prietaiso arti skardžių, griovių, lapai stačių šlaitų ar pylimų. Galite paslysti ir pargiuoti.

DARBO APLINKA

- Jokiu būdu negalima naudoti gaminio, jeigu 15 m spinduliu yra žmonių, ypač vaikų, taip pat – naminių gyvūnų, nes juos gali sužeisti iš po geležčių ištykstantys objektai.
- Nuo žoliapjovės geležčių atsitrenkę objektai gali sunkiai sužaloti žmones. Gerai patikrinkite tą vietą, kurią pjausite žoliapjovė bei pašalinkite visus akmenis, pagalius, metalo gabalus, laidus, kaulus, žaislus ir kitus pašalinius objektus. Reikia atminti, kad virvė arba viela gali įsipainioti į pjovimo įtaisus.
- Gaminį galima naudoti tik dienos šviesoje arba esant geram dirbtiniam apšvietimui.
- Nenaudokite prietaiso, jei šalia yra degios ir sprogti galinčios medžiagos (skysčiai, dujos ar dulkės). Prietaisas gali kibirkščiuoti ir gali uždegti dulkes arba garus.
- Nenaudokite įrankio ant šlapios žolės bei lietuje.
- Gaminio negalima naudoti, jeigu yra

perkūnijos ar žaibavimo grėsmė.

- Turėkite omenyje, kad operatorius arba vartotojas yra atsakingas už nelaimingus atsitikimus arba kitiems asmenims ar jų turtui sukeltą pavojų.
- Operatoriui nežinant, kad šalia yra vaikai, gali įvykti nelaimingi atsitikimai. Vaikams visada šis įrengimas bei pats įjovimo procesas yra įdomus. Niekada nemanykite, kad vaikai išliks toje pačioje vietoje, kur juos pirmiau matėte.
- Pasirūpinkite, kad įjaunamoje vietoje nebūtų vaikų ir kad juos prižiūrėtų atsakingas suaugusysis, kuris nėra operatorius, būkite atidūs ir išjunkite gaminį, jei įjovimo vietą ateina vaikas.
- Būkite ypač atsargūs artėdami prie kampu, už kurių nesimato, krūmokšnių, medžių ar kitų objektų, įskaitant kabančius krūmus, galinčius jums užstoti vaizdą.

ĮRANKIO SU AKUMULIATORIUMI NAUDOJIMAS IR PRIEŽIŪRA

- Perskaitykite, supraskite ir griežtai vadovaukitės saugos instrukcijomis, pridėdamomis prie prietaiso baterijos ir įkroviklio. Nesilaikant saugos instrukcijų, gali įvykti elektros smūgis, kilti gaisras ar kitos pavojingos situacijos. Visas instrukcijas laikykite kartu saugioje vietoje, kad prireikus galėtumėte jas bet kada paskaityti.
- Akumuliatorių įrankių prie maitinimo šaltinio prijungti nereikia, todėl jie visuomet paruošti naudoti. Kai gaminys nenaudojamas, reikia ištraukti izoliatoriaus raktą.
- Prieš reguliuodami, valydami įrankį ar šalindami nuopjovas iš įrankio, visada išimkite akumuliatorių.
- Patikrinkite, ar izoliatoriaus raktas yra ištrauktas tik tada tvirtinkite akumuliatorių.
- Pakartotinai kraukite akumuliatorių tik naudodami gamintojo nurodytą įkroviklį. Naudojant įkroviklį su nesuderinamu akumuliatoriumi gali sukelti gaisro pavojų. Akumuliatorių naudokite tik su sąraše pateiktu įkrovikliu.
- Naudokite tik šiam įrankiui skirtą akumuliatorių. Kitokių akumuliatorių naudojimas gali sukelti gaisrą, elektros smūgį ar sužeidimus.

- **Kai akumuliatorius nenaudojamas, jį laikykite toliau nuo kitų metalinių daiktų, pavyzdžiui, sąvaržėlių, monetų, raktų, vinių, varžtų ar kitų mažų metalinių daiktų, kurie vieną gnybtą gali sujungti su kitu.** Įvykus baterijų paketo gnybtų trumpajam jungimui, gali pasipilti kibirkštys, apdegti aplinkiniai objektai, įvykti gaisras ar sprogimas.
- Baterinių įrankių ar jų baterijų nelaikykite prie ugnies ar karščio. Taip sumažinsite sprogimo ir sužeidimų pavojų.
- Niekada nebandykite akumuliatoriaus atidaryti ar išardyti. Išsiskiriantys elektrolitai yra koroziniai bei gali pakenkti akims ir odai. Juos prarijus, jie gali būti nuodingi.
- Akumuliatorių saugokite nuo drėgmės ir vandens. Įrankio neįkraukite drėgnose ar šlapiose vietose. Šios taisyklės laikymasis sumažins elektros smūgio riziką.
- Akumuliatorių pažeidus gali išsiskirti garai. Išėikite į gryną orą ir jei vis dar prastai jaučiate, kreipkitės į gydytojus. Garai gali dirginti kvėpavimo organus.
- Nepalikite baterijų paketo transporto priemonėje, kai karšta arba šalta.
- Akumuliatoriaus nedeginkite.
- Netinkamomis sąlygomis iš akumuliatoriaus gali ištekėti skystis - nelieskite jo. Jei atsitiktinai prisilietėte - nuplaukite vandeniu. Jei skysčio pateko į akis, papildomai kreipkitės į gydytoją. Iš akumuliatoriaus ištekėjęs skystis gali nudeginti ar sukelti sudirginimus.

VEJAPJOVĖS SAUGOS PERSPĖJIMAI

- Prieš pradėdami naudoti įrankį, visada vizualiai patikrinkite geležtes, jų varžtus ir įjoviklio korpusą dėl nusidėvėjimo.
- Siekiant išlaikyti įrankio pusiausvyrą, nusidėvėjęsias ar pažeistas geležtes ir varžtus pakeiskite.
- Gaminio geležtė aštri. Montuojant, keičiant dalis, valant ar tikrinant varžtų įsukimo tvirtumą, reikia būti atsargiems ir mūvėti patvarias pirštines.
- Prireikus pakeisti sugadintas ar neįskaitomas etiketes, gaminį reikia nugabenti į galiotą techninio aptarnavimo centrą.
- Dažnai tikrinkite visas veržles, varžtus ir sraigtus, ar jie tvirtai laikosi ir ar įranga yra



saugios darbo būklės stovyje.

- Dažnai tikrinkite žolės gaudyklę: ar nesusidėvėjusi, ar nėra skylių ar gedimo požymių.
- Prieš naudodami prietaisą, pakeiskite susidėvėjusias ar pakenktas dalis.
- Gaminį reikia paleisti naudotojui stovint už vairalazdžių, saugos zonoje. Jokių būdu negalima paleisti gaminio, jeigu:
 - ne visi keturi ratai atsirėmę į žemę;
 - žolės iškrovimo anga yra atidengta ir jos nesaugo žolės surinkimo dėžė ir žolės iškrovimo angos dangtis
 - aplinkinių asmenų plaštakos ir pėdos arti pjovimo įdėklo.
- Gaminio jokių būdu negalima naudoti, jeigu jį/išj. jungiklio ant vairalazdės neįmanoma tinkamai paleisti ir tai stabdo gaminį.
- Jokių būdu nemėginkite uždėti jį/išj. jungiklio kaiščio, kai jungiklis ĮJUNGTAS: tai labai pavojinga.
- Nenaudokite per didelės jėgos. Prietaisą naudodami pagal pagamintą tinkamą greitį, darbą atliksite geriau ir saugiau.
- Stumdami žoliapjovę per žvyrą ar asfaltą, prietaisą išjunkite, kad geležtės sustotų.
- Jei nėra būtino reikalo, netraukite prietaiso atgal. Jei būtina prietaisą statyti ne prie sienos ar išvengiant kliūčių, pirmiausia patikrinkite po prietaisu ir už jo, kad už jo neužkliūtumėte ir jo neužsiverstumėte ant kojų.
- Jeigu vejapjovę reikia pakreipti norint gabenti ne per žolę arba gabenant į / iš vejos, sustabdykite variklį ir palaukite, kol geležtė visiškai liausis suktis.
- Niekada nenaudokite šio įrankio, jei pažeisti jo apsauginiai gaubtai ar skydeliai, nenaudokite be apsauginių įtaisų, pvz. be kreiptuvų ir (ar) žolės surinkimo dėžės.
- Nepaverskite įrenginio įjungdami variklį arba varikliui veikiant. Jei tai yra visiškai būtina, vejapjovės priekį galite pakelti ne daugiau kaip 5 cm, kad būtų galima lengviau pradėti važiuoti. Norėdami tai padaryti, nuspauskite vairo rankeną. Visada prieš įjudami pastatykite vejapjovę į prastą padėtį su visais ratais ant pagrindo. Palenkus vejapjovę atsiveria geležtė, todėl padidėja tikimybė, kad ji gali išsviesti daiktus arba jie gali netyčia prie jos

prisiliesti.

- Variklį įjunkite atsargiai, laikydamiesi instrukcijų ir laikydami rankas bei kojas atokiai nuo geležtės. Rankų ar kojų nelaikykite šalia besisukančių detalių ar po jomis.
- Jokių būdu negalima kelti gaminio ar jį nešti veikiant varikliui.
- Sustabdykite gaminį, ištraukite izoliatoriaus raktą ir akumuliatorių. Patikrinkite, ar visos judančio dalys visiškai nustojo suktis:
 - paliekant gaminį be priežiūros (taip pat išmetant žolės nuopjovas).
 - prieš valydami užsikimšusią žolę arba atkimšdami iškrovimo angą
 - prieš tikrindami ar valydami prietaisą arba prieš pradėdami juo pjauti žolę;
 - prieš išimant žolės surinkimo krepšį ar atidarant žolės iškratymo nuleistuvo dangtį
 - prietaisui atsitrenkus į pašalinį objektą: apžiūrėkite, ar prietaisas neapgadintas ir, jei reikia, pasirūpinkite, kad prieš jį vėl paleidžiant ir naudojant būtų pataisytas;
 - Prietaisui pradėjus neįprastai vibruoti (kuo skubiau patikrinkite).
 - reikia patikrinti, ar nėra gedimų, ypač – ar nepažeistos geležtės.
 - pakeiskite ar suremontuokite visas pažeistas dalis
 - patikrinkite, ar nėra atsilaisviusių detalių ir jas priveržkite
- Venkite skylių, provėžų, iškilimų, akmenų ar kitų paslėptų objektų. Nelygioje teritorijoje galima paslysti ir išgriūti.
- Surenkant gaminį ar lankstant rankeną, būtina reikia patikrinti, ar neįstrigęs, nesuspaustas ar kitaip nepažeistas variklio valdymo laidas.



PAPILDOMI AKUMULIATORIAUS SAUGOS ĮSPĖJIMAI

⚠ ĮSPĖJIMAS

Siekdami išvengti trumpojo jungimo sukeliama gaisro pavojaus, sužalojimų arba produkto pažeidimų, neikiškite įrankio, keičiamo akumuliatoriaus arba įkroviklio į skysčius ir pasirūpinkite, kad į prietaisus arba akumuliatorius nepatektų jokių skysčių. Koroziją sukeliantys arba laidūs skysčiai, pvz., sūrus vanduo, tam tikri chemikalai ir balikliai arba produktai, kurių sudėtyje yra baliklių, gali sukelti trumpąjį jungimą.

GAMINIO SAVYBĖS

PERKROVOS IR PERKAITIMO APSAUGA

Gaminys turi apsaugos nuo perkrovų įtaisą. Aptikęs perkrovą, gaminys automatiškai išsijungs. Jeigu perkrovos apsauga įjungta, reikia atlesiti įjungimo-išjungimo mygtuką. Norint iš naujo paleisti gaminį, reikia paspausti įjungimo-išjungimo mygtuką.

Baterijų pakete įmontuota apsauga nuo perkaitimo. Esant ekstremalioms temperatūroms akumuliatorius įrankio nebekrauna. Patikrinkite akumuliatorių bloką – jei jis pernelyg šiltas, leiskite jam atvėsti ir tik tada atnaujinkite darbą. Jei įrankis vis tiek neveikia, akumuliatorių įkraukite.

PASTABA: LED įkroviklio lemputė nešviečia, jei akumuliatoriaus apsauginis įtaisas sustabdo energijos tiekimą į įrankį. Atleiskite įjungimo / išjungimo mygtuką arba išimkite akumuliatorių bloką iš gaminio ir akumuliatorių bloko LED indikatorius vėl pradės veikti įprastai.

BENDRIEJI VEJŲ PJOVIMO PATARIMAI

Baterijos veikimo trukmė priklauso nuo žolės būklės, ilgio ir tankumo.

Nustatykite vejąjovės pjovimo aukštį pagal pjaunamos vejos būklę.

Žolės būklė	Siūlomas aukščio nustatymas		Aprėptis (maksimali)	
	Pirmas perėjimas	Paskesni perėjimai	4 Ah akumuliatorius	5 Ah akumuliatorius
Labai reta / sausa	3	2	200 m ²	250 m ²

Reta / sausa	4	3 → 2	150 m ²	200 m ²
Vidutinė / tanki	5	4 → 3	100 m ²	150 m ²

* Baterija: RB18L40

- Veiksmingiausia nupjauti trečdalį ar mažiau viso žolės aukščio.
- Pjaudami aukštą žolę sumažinkite ėjimo greitį. Taip plovimas bus efektyvesnis ir geriau išsivalys nuopjovos.
- Nepjaukite šlapios žolės: ji prilips prie žolės surinkimo krepšio apačios ir bus neįmanoma tinkamai surinkti arba iškratyti jos nuopjovos.
- Pjaunant naują ar tankią žolę pjovimo aukštį gali reikėti nustatyti didesnį.
- Jei norite surinkti nupjautą žolę ir ją išmesti, išimkite mulčiavimo kaištį, sumontuokite žolės gaudyklę ir būtinai patikrinkite, ar tinkamai uždengtas žolės išmetimo latako dangtis. Žolės dėžę reikia reguliariai ištuštinti, nes priešingu atveju žolės iškratymo lovėlį užkims žolės nuopjovos.
- Jei veją tik pakerpate ir nupjautą žolę norite palikti ant vejos, įtaisykite mulčiavimo kaištį ir uždenkite žolės išmetimo angą žolės išmetimo latako dangčiu. Tokiu atveju žolės gaudyklės sumontuoti nebūtina.
- Įrenginys efektyviausiai veikia ir pjauna žolę judėdamas pirmyn.
- Kuo didesnis pjovimo aukštis pasirenkamas, tuo ilgiau veikia baterija.

GABENIMAS IR LAIKYMAS

- Sustabdykite gaminį, ištraukite izoliatoriaus raktą ir akumuliatorių. Patikrinkite, ar visos judančio dalys visiškai nustojo sukstis. Prieš padėdami įrenginį į saugojimo vietą arba veždami jį transporto priemonėje, palaukite, kol jis atvės.
- Nuo įrankio nuvalykite visas pašalines medžiagas. Laikykite vėsioje, sausoje, gerai vėdinamoje ir vaikams nepasiekiamoje vietoje. Nelaikykite jo arti nuo tokių koroziją sukeliančių reagentų kaip cheminės sodininkystės medžiagos arba druskos, naudojamos prieš apledėjimą. Nelaikykite lauke.
- Norėdami gaminį pervežti transporto priemonėje, išimkite izoliatoriaus raktą ir pritvirtinkite jį, kad jis nejudėtų ar neiškristų

ir nesužalotų žmonių, jam nebūtų padaryta žala.

▲ ĮSPĖJIMAS

Būkite labai atsargūs keldami arba lenkdami gaminį, norėdami atlikti techninę priežiūrą, išvalyti, saugoti arba transportuoti – geležtė yra aštri, kai ji yra neuždengta, laikykite kūno dalis atokiai nuo jos.

LIČIO BATERIJŲ TRANSPORTAVIMAS

Akumuliatorių gabenkite pagal vietinius ir šalies reikalavimus bei nuostatas.

Akumulatorius gabenant trečiajai šaliai būtina laikytis visų specialių reikalavimų, nurodytų pakuotėse ir etiketėse. Užtikrinkite, kad gabenimo metu nei vienas akumuliatorius nesiliestų su kitais akumulatoriais arba laidžiosiomis medžiagomis – apsauginius jungiamuosius elementus uždenkite izoliacinėmis nelaidžiomis movomis arba juosta. Įskilusių ir tekančių akumuliatorių negabenkite. Dėl tolesnių patarimų kreipkitės į transporto įmonę.

PRIEŽIŪRA

▲ ĮSPĖJIMAS

Keitimui naudokite tik originalias gamintojo atsargines dalis. Neoriginalios dalys gali būti sužeidimų ir įrenginio blogo veikimo priežastis, ir dėl to gali būti anuliuotas garantinis pažymėjimas.

▲ ĮSPĖJIMAS

Aptarnavimą atlikti būtina itin atidžiai, todėl rekomenduojame, kad techninę apžiūrą vykdytų kvalifikuotas specialistas. Įrenginį techninei priežiūrai pristatykite tik į įgaliotąjį techninės priežiūros centrą. Atlikdami prietaiso techninę priežiūrą, keitimui naudokite tik originalias, prietaiso gamintojo atsargines dalis.

- Sustabdykite gaminį, ištraukite izoliatoriaus raktą ir akumuliatorių. Prieš valydami arba atlikdami techninę priežiūrą pasirūpinkite, kad visos judančios dalys visiškai sustotų.
- Galite prietaisą reguliuoti ir taisyti kaip aprašyta šiuose nurodymuose. Dėl kitų dalių taisymo ar pagalbos taisant reikia

kreiptis į įgaliotą techninio aptarnavimo centrą.

- Nusidėvėjusias ar apgadintas detales pakeiskite, kad nekiltų pavojaus saugumui.
- Pastoviai tikrinkite, ar žolės gaudytuvas nėra susidėvėjęs ar sugedęs.
- Po kiekvieno naudojimo, išvalykite įrenginį sausu švelnaus audinio gabalėliu. Bet kurią apgadintą detalę leidžiama remontuoti arba keisti tik autorizuotame aptarnavimo centre.
- Dažnai tikrinkite visas varžles, varžtus ir sraigtus, ar jie tvirtai laikosi ir ar gaminyje yra saugios darbo būklės stovyje.
- Reguluodami prietaisą būkite atsargūs, kad pirštai nepatektų tarp judančių geležčių ir stabilių detalių.
- Atliekant geležčių techninę priežiūrą, atminkite, kad net jei maitinimas į prietaisą yra nutrauktas, geležtės gali vis dar sukintis.
- Gaminio geležtė aštri. Montuojant, keičiant dalis, valant ar tikrinant varžtų įsukimo tvirtumą, reikia būti atsargiems ir mūvėti patvarias pirštines.
- Siekiant išlaikyti įrankio pusiausvyrą, nusidėvėjusias ar pažeistas geležtes ir varžtus pakeiskite.
- Geležtės varžtai turi būti vienodai priveržti. **Žiūrėkite gamintojo rekomendacijas dėl geležtės varžtų priveržimo sukimo momento, kurias galima rasti šiame vadove gaminio specifikacijų lentelėje.**

KAMŠČIO VALYMAS

- Sustabdykite gaminį, ištraukite izoliatoriaus raktą ir akumuliatorių. Patikrinkite, ar visos judančio dalys visiškai sustojo sukis.
- Tikrinant, ar gaminyje neužsikimšęs bei šalinant kamštį, būtina dėvėti storas darbo pirštines.
- Peiliai yra aštrūs, be to, tai, kas juos gali užblokuoti, taip pat gali būti aštrus daiktas.
- Nuimkite žolės gaudyklę, patikrinkite, ar nėra blokuojančių objektų, ir atidžiai juos pašalinkite.
- Patikrinkite žolės šalinimo angą, kad nebūtų blokuojančių objektų, ir atidžiai juos pašalinkite.
- Paverskite gaminį ant šono, patikrinkite apatinę pusę ir sritį apie geležtę. Jei yra, kas blokuoja, atidžiai pašalinkite. Atminkite,

kad valymo metu geležtė gali pajudėti.

ŠALUTINIAI PAVOJAI

Net naudojant gaminį pagal nurodymus, neįmanoma visiškai atmesti visų pavojaus veiksnių. Naudojant gaminį gali kilti toliau išvardinti pavojai ir naudotojas turi kreipti ypatingą dėmesį, kad jų išvengtų:

- Vibracijos sukeltas sužalojimas
 - Darbą reikia atlikti naudojant tik tam skirtus įrankius. Naudokite atitinkamas rankenas ir ribokite darbo bei buvimo sveikatai žalingoje aplinkoje laiką.
- Triukšmo sukelta trauma
 - Ilgai būnant triukšme, galima pakenkti klausą. Dėvėkite akių apsaugą ir ribokite poveikio trukmę.
- sužeidimai prisilietus prie geležčių
- Sužalojimai nuo išmetamų objektų

RIZIKOS MAŽINIMAS

Turime pranešimų, kad vibracija nuo ranka laikomų įrankių kai kuriems asmenims gali turėti neigiamos įtakos vystantis Raynaud sindromui. Šios ligos požymiai yra pirštų dilgčiojimas, nutirpimas ir pabalimas, paprastai pasireiškiantis nuo šalčio. Šie simptomai vystosi dėl paveldimų veiksnių, nesisaugant nuo šalčio ir drėgmės, dėl mitybos, rūkymo ir darbo praktikos. Operatorius gali imtis šių priemonių, kurios gali sumažinti vibracijos poveikį:

- Apsirenkite kuo šilčiau šaltu oru. Naudojant gaminį, reikia mūvėti pirštines, kad plaštakos ir riešai neatšaltų. Turime pranešimų, kad Raynaud sindromas labiausiai vystosi nuo šalto oro sąlygų.
- po darbo kiekvieną kartą pasportuokite, kad pagerėtų kraujo apytaka;
- dažnai darykite darbo pertraukas. Apribokite darbo laikotarpį per dieną.

Jei jums pasireiškia kokie nors šios būklės simptomai, nedelsdami nutraukite darbą ir kreipkitės į gydytoją.

⚠ ĮSPĖJIMAS

Ilgiau naudojant, įrankis kelia sužeidimų pavojų ir apsunkina darbą. Ilgiau naudojant įrankius, reikia reguliariai daryti pertraukas.

PAŽINKITE SAVO GRANDININĮ PJŪKLĄ

Žr. 193 psl.

Dalys

1. Rankena
2. Įj. / išj. mygtukas „On-off“
3. Užvedimo mygtukas
4. Variklio valdymo droselis
5. Variklio valdymo laido fiksatorius–laikiklis
6. Akumulatoriaus dangtelis
7. Rankenos galvelė
8. Pilnos žolės dėžės indikatorius
9. Žolės gaudyklė
10. Žolės išmetimo latako dangtis
11. Rankenos fiksatorius
12. Galinis ratukas
13. Aukščio lygio reguliatorius
14. Priekinis ratukas
15. Izoliatoriaus raktas
16. Baterija
17. Įkroviklis
18. Mulčavimo kištukas

SIMBOLIAI ANT ĮRENGINIO



Prieš naudodami įrenginį, atidžiai perskaitykite instrukcijas, laikykitės įspėjimų ir saugos nurodymų.



Dėvėkite ausų apsaugos priemones



Dėvėkite apsauginius akinius



Žoliapjovės nenaudokite ant šlaitų, kurių nuožulnumo kampas yra didesnis nei 15°. Pjaukite skersai šlaitų, niekada nepjaukite aukštyrų ir žemyn.



Nenaudoti lyjant ar esant drėgnoms sąlygoms.



Saugokitės aštrių geležčių. Išjungus variklį, geležtės dar kurį laiką juda – prieš atliekant priežiūros darbus, reikia ištraukti izoliatoriaus raktą

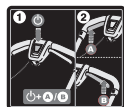


Saugokitės išmetamų arba skrendančių objektų. Visi pašaliniai asmenys, ypač vaikai ir naminiai gyvūnai, turi būti ne arčiau kaip 15 m nuo darbo vietos.

Rankenos aukštį galima reguliuoti 3 lygiais. Patikrinkite, kad įsitikintumėte, jog vamzdžiai yra tinkamai įstatyti, ypač esant aukščiausiam lygiui. Rankena gali išslysti iš angų, jei nėra tinkamai įstatoma ir užfiksuojama.



Norėdami paleisti prietaisą, paspauskite paleidimo mygtuką „Start“ (paleisti), tada jį. / išj. mygtuką „On-off“ (A arba B). Norėdami prietaisu pjauti veją, atleiskite paleidimo mygtuką „Start“ ir laikykite nuspaužę jį. / išj. mygtuką „On-off“. Atleiskite įjungimo / išjungimo (On/Off) mygtuką, jei norite prietaisą išjungti.



Paleisti



Stabdyti



Atidžiai persikaitykite instrukcijas prieš pradėdami naudoti mechanizmą.



Elektrinių produktų atliekos neturi būti metamos kartu su namų ūkio atliekomis. Prašome perdirbkite jas ten, kur yra tokios perdirbimo bazės. Dėl perdirbimo patarimo kreipkitės į savo vietinę savivaldybę ar pardavėją.



Šis prietaisas atitinka visas reglamentuotas normas ES šalies, kur jis buvo nupirtas.



„EurAsian“ atitikties ženklas



Ukrainos atitikties ženklas



Garantuotas garso galios lygis rodomas šioje etiketėje yra 96 dB.

Toliau pateikti signaliniai žodžiai skirti paaiškinti rizikos, susijusios su gaminiu, lygius:

⚠ PAVOJUS

Reiškia ypač pavojingą padėtį, kurios neišvengus bus patirti sunkūs ar net mirtini sužeidimai.

⚠ ĮSPĖJIMAS

Reiškia potencialiai pavojingą situaciją, kurios neišvengus galimi sunkūs ar net mirtini sužeidimai.

⚠ ATSARGIAI

Reiškia potencialiai pavojingą situaciją, kurios neišvengus galimi lengvi ar vidutinio sunkumo sužeidimai.

ATSARGIAI

(be įspėjamojo šauktuko) Reiškia situaciją, kurioje galima sugadinti turtą.

SIMBOLIAI VADOVE



Detalės arba priedai yra parduodami atskirai



Pastaba



Įspėjimas!

Akutoitega muruniiduk konstrueerimisel on peaesmärgiks olnud toote ohutus, tootlikkus ja töökindlus.

OTSTARBEKOHANE KASUTAMINE

Juhtmeta muruniidukit tohib kasutada ainult väliitingimustes.

Muruniiduk on ette nähtud muru niitmiseks vaid koduaias. Lõiketera peab pöörlema niidetava muru pinnaga ligikaudu paralleelselt. Liikumise ajal peavad kõik neli ratast olema maapinnal. See on tagantpoolt jalgsijuhitav muruniiduk, mis on ette nähtud käsitsi edasilükkamiseks.

Kultivaatorit ei tohi kunagi nii kasutada, et rattad on maapinna kohal. Seda ei tohi tõmmata ega sellel sõita. Seda ei tohi kasutada muudeks lõikamistöodeks kui muru niitmiseks.

Ärge kasutage ühekski muuks otstarbeks.

OHUTUSE ÜLDEESKIRJAD

⚠ HOIATUS

Seadme kasutamisel tuleb järgida ohutusreegleid. Teie ja kõrvalseisjatele ohutuse tagamiseks lugege käesolevad juhised enne seadme kasutamist läbi. Hoidke juhend edaspidiseks kasutamiseks alles.

⚠ HOIATUS

Kasutage toodet ainult selles kasutajajuhendis määratud akuga. Akutööriistade kasutamisel tuleb järgida üldisi ohutusnõudeid, et vähendada tulekahjust ja lekkivatest akudest tingitud ohtu ning vältida kehavigastusi.

ISIKUKAITSE

- Toode võib käd või jalad maha lõigata ning esemeid lendu paisata. Kõikide ohutusjuhiste mittetäitmine võib põhjustada tõsiseid vigastusi või surma.
- Õppige tundma kõiki seadme juhtseadiseid ja kasutusnõudeid.
- Ärge lubage lapsi ega piiratud füüsiliste, sensoorsete ja vaimsete võimetega inimesi ning nende juhistega mittetutvunud inimesi seadet kasutada, puhastada ja hooldada.

Kohalikud regulatsioonid võivad seada kasutaja vanusele piiranguid. Laste järele tuleb piisavalt valvata, et nad seadmega ei mängiks.

- Seadmega töötamisel jälgige tööpiirkonda ja kasutage sealjuures tervet mõistust. Ärge kasutage tööriista väsinuna või haigena ega siis, kui olete uimastite, alkoholi või ravimite mõju all. Hetkeline tähelepanu hajumine muruniiduki kasutamise ajal võib põhjustada raske kehavigastuse.
- Kandke tugevaid pikki pükse, pikki varrukaid ja vastupidavaid libisemiskindlaid jalanõusid. Ärge kandke lühikesi pükse ja sandaale ega olge paljajalu. Vältige selliste riiete kandmist, mis on lõdvad või millel on paelad või sidemed.
- Kandke alati küljekaitsetega kaitseprille.
- Töötamisel, eriti kallakul, tagage endale kindel jalgealune. Hoidke kindlat jalgade asendit ja tasakaalu. Töötamisel kõndige, ärge kunagi jookske.
- Töötamisel suunduge piki kallakut, mitte aga üles või alla. Olge ülimalt ettevaatlik, kui muudate kallakul olles suunda.
- Ärge püüdke niita järsakute ja kraavide serval või suurel kaldel ja teetammidel. Halb jalgade asend võib põhjustada libisemist ja kukkumist.

TÖÖKOHT

- Ärge mingil juhul kasutage kohas, kus inimesed, eriti lapsed või koduloomad on kuni 15 meetri kaugusel, sest lõiketeralt õhkupaisatud objektid on ohtlikud.
- Muruniiduki tera poolt loodud objektid võivad põhjustada isikutele mitmeid vigastusi. Kontrollige muruniiduki kasutamise ala hoolikalt üle ja eemaldage kõik kivid, vaiad, metallesemed, traat, kondid, mänguasjad ning muud esemed. Pidage meeles, et nõõrid ja traadid võivad takerduda lõiketeradesse.
- Kasutage kultivaatorit ainult päevavalguses või hästivalgustatud kohas.
- Ärge kasutage muruniidukit plahvatusohtlikes keskkondades, näiteks kergestisüttivate vedelike ja gaaside läheduses ega tolmuses kohas. Elektritööriistad võivad tekitada sädemeid, mis võivad tolmu või aurud süüdata.
- Ärge kasutage muruniidukit niiskes või



märjas kohas ega vihamas.

- Ärge kasutage seadet kui on äikese oht.
- Pidage meeles, et operaator või kasutaja on vastutav õnnetuste või ohuolukordade eest, mis võivad puudutada teisi inimesi või nende vara.
- Traagilised õnnetused võivad juhtuda, kui kasutaja ei märka laste kohalolekut. Lastele meeldib väga tihti masin ja niitmine. Ärge eeldage kunagi, et lapsed püsivad seal, kus te neid viimati nägite.
- Hoidke lapsed niidetavast alast eemal ja mõne vastutava täiskasvanu valvsa pilgu all; olge valmis toodet välja lülitama, kui laps satub niidetavale alale.
- Olge eriti hoolikas, kui lähenete pimedatele nurkadele, pöösastele, puudele või teistele objektidele (nt rippuvad taimed), mis võivad vaadet takistada.

AKUTÖÖRIISTA KASUTAMINE JA KOR-RASHOID

- Lugege aku ja akulaadija komplektis olevad ohutusjuhised läbi ja tehke need endale selgeks. Selle nõude eiramine võib põhjustada elektrilööki, tulekahju ja muid ohtlikke olukordi. Hoidke kõiki juhiseid ühes kindlas kohas, et saaksite neid tulevikus lugeda.
- Akutoitega seadmeid ei pea pingestamiseks vooluvõrgu pistikupessa ühendama – need on pinge all kogu aeg. Kui seadet ei kasutata, eemaldage sellelt lahkliitli võti.
- Enne reguleerimist, hooldamist või lõigatavast materjalist puhastamist võtke akupakett välja.
- Enne akupaketi sissepanekut võtke lülitusvõti välja.
- Akupaketti tohib laadida ainult tootja poolt ettenähtud laadijaga. Akupaketiga mittesobiva laadija kasutamine võib põhjustada tuleohtu. Kasutage akupaketi laadimiseks ainult juhendis mainitud laadijat.
- Kasutage ainult seda akupaketti, mis on sellele seadmele ette nähtud. Muude akupakettide kasutamise korral võib tekkida tulekahju, elektrilöögi või kehavigastuse oht.
- **Sel ajal kui akupakett ei ole kasutusel, hoidke seda eemal metallesemetest nagu kirjaklambrid, mündid, võtmed,**

naelad, kruvid ja muudest väikestest metallobjektidest, mis võivad akuklemmid lühistada. Akupaketi klemmide lühistamine võib põhjustada sädemeid, põletust, tulekahju või plahvatust.

- Ärge jätke akusid või toiteelemente lahtise tule lähedusse või kuumale kohale. Selle juhise järgimine vähendab plahvatuse ja võimaliku kehavigastuse ohtu.
- Ärge akupaketti avage ega osadeks lahutage. Vabanev elektrolüüt on korrodeeriv ja võib põhjustada silma- ja nahavigastusi. Allaneelamisel on see mürgine.
- Kaitske akut niiskuse ja vee vastu. Ärge laadige akut niiskes või märjas kohas. Selle reegli järgimine vähendab elektrilöögi ohtu.
- Aku vigastamise või ebaõige kasutamise korral võib eralduda gaase. Kaebuste korral minge värske õhu kätte ja kutsuge arstiabi. Gaasid võivad ärritada hingamissüsteemi.
- Ärge jätke akupaketti sõidukisse kuumale või külmale kätte.
- Ärge püüdke akut põletamise teel hävitada.
- Aku vale kasutamise korral võib akuvedelik välja voolata - vältige sellega kokkupuudet. Akuvedeliku nahale sattumisel peske see veega maha. Akuvedeliku silma sattumisel pöörduge arsti poole. Väljapritsvitud akuvedelik võib tekitada nahaärritust või -põletust.

MURUNIIDUKI OHUTUSEESKIRJAD

- Enne kasutamist kontrollige välise vaatluse teel, et lõiketerad, lõiketerade poldid ega kinnitid pole kulunud või vigastatud.
- Ärakulunud ja vigastatud lõiketerad ning poldid tuleb asendada komplektis, et säilitada tasakaalustatus.
- Seadme lõiketera on terav. Olge nende paigaldamise, asendamise ja kinnituspoldi kinnituse kontrollimise ajal väga ettevaatlik ning kandke tugevdatud kaitsekindaid.
- Pöörduge vigastatud ja loetamatute kleebiste asendamiseks volitatud hoolduskeskuse poole.
- Kontrollige kõiki mutreid, polte ja kruvisid sagedaste intervallidega õige pinguloleku suhtes, et veenduda seadme ohutus töökorras olemises.





- Kontrollige rohpüüdurit kulumise, aukude ja vigastuste suhtes regulaarselt.
- Asendage kulunud või vigastatud osad, enne kui hakkate seadet kasutama.
- Kasutaja peab muruniiduki käivitamise ajal olema juhtraua taga ohutus kohas. Ärge mingil juhul käivitage muruniidukit, kui:
 - kõik neli ratast ei toetu maapinnale,
 - muru väljalaskeava on avatud ning seda ei kaitse muru kogumiskast ega muru väljalaskeava kate
 - käed ja jalad ei ole lõikeketta kattest pisaval kaugusel.
- Ärge seadet kasutage kui juhtraual olev sisse/välja lülitamise lüliti ei käivita või seiska seadet nõuetekohaselt.
- Ärge püüdke mingil juhul lukustada sisse/ välja lülitamise lüliteid asendisse SEES - see on ülimalt ohtlik.
- Ärge kasutage töötamisel liigset jõudu. Õigesti valitud tööriist töötab paremini ja ohutumalt selles võimsuspiirkonnas, milleks on see ette nähtud.
- Kruusastel pindadel liikumisel seisake lõiketera.
- Ärge tõmmake seadet tahasuunas kui see pole tingimata vajalik. Kui peate muruniiduki seinast või takistusest eemale tagurdama, siis vaadake esmalt alla ja taha, et vältida ümberminekut või tõmbamist üle jala.
- Muudel pindadel kui murul liikumisel tuleb muruniidukit kallutada ning muruniiduki teisaldamisel murule või sealt eemaldamisel, seisake mootor ja laske lõiketeral peatuda.
- Ärge kasutage seadet, mille kaitsed või katted on vigastatud või kui see on ilma kaitseseadisteta, näiteks ilma suunajate ja/ või rohukogurita.
- Ärge kallutage toodet, kui lülitate mootori sisse või kui mootor töötab. Kui see on vältimatult vajalik, tohib hõlpsamaks käivitamiseks tõsta muruniiduki esiosa kuni 5 cm. Selleks vajutage käepide alla. Enne kui alustate niitmist, laske niiduk alati tavaasendisse, nii et kõik rattad on maapinnal. Niidukit kallutades tuleb lõiketera esile ning suureneb esemete lendupaiskumise ja teraga juhusliku kokkupuute tõenäosus.
- Lülitage mootor juhiseid järgides ettevaatlikult sisse ning hoidke käed ja jalad teradest eemal. Ärge pange oma käsi või jalgu pöörlevate osade alla või lähedusse.
- Ärge mingil juhul mootori töötamise ajal kultivaatorit üles tõstke ega kandke.
- Peatage toode, eemaldage lahküliti võti ja aku. Veenduge, et kõik masina liikuvad osad on täielikult seiskunud:
 - kui jätate seadme järelevalveta (kui kõrvaldate lõikmeid),
 - enne takistuse eemaldamist või väljalaskeava ummistuse puhastamist
 - enne kontrollimist, puhastamist või teenindamist,
 - enne rohukoguri või rohu väljaheiterenni katte eemaldamist
 - pärast võõrkehade vastu sattumist, enne uuesti käivitamist vaadake see vigastuste suhtes üle ja tehke vajadusel remont,
 - kui muruniiduk hakkab ebanormaalselt vibreerima (kontrollige viivitamatult).
 - vaadate muruniidukit üle, eriti lõiketerade vigastuste suhtes.
 - asendage või parandage kõik vigastatud osad
 - kontrollige ja pingutage lõtvunud osad
- Vältige auke, vagusid, konarusi, kive ja muid varjatud objekte. Ebatasane pinnas võib põhjustada libisemist ja kukkumist.
- Veenduge, et mootori kaabel ei ole kinni jäänud, muljutud või muudmoodi vigastatud kokkupanekul või käepideme kokku voltimisel.

AKU LISAOHUTUSJUHISED

⚠ HOIATUS

Lühisest põhjustatud tuleohtu, vigastuste või toote kahjustuste vältimiseks ärge kastke tööriista, vahetusakut ega laadimiseadet vedelikku ning jälgige, et vedelikke ei tungiks seadmesse ega akusse. Korrodeeruvad või elektrit juhtivad vedelikud, nagu soolvesi, teatud kemikaalid ja pleegitusained või pleegitusaineid sisaldavad tooted, võivad põhjustada lühist.



TOOTE KIRJELDUS

ÜLEKOORMUSE JA ÜLEKUUMENEMISKAITSE

Tootel on ülekoormuse kaitseeadis. Kui ilmneb ülekoormus, lülitub toode automaatselt välja. Kui ülekoormuskaitse rakendub, siis tuleb nupp "Sees/Väljas" vabastada. Seadme taaskäivitamiseks tuleb vajutada nupule "Sees/Väljas".

Akupaketil on ülekuumenemise kaitse. Liigne temperatuur põhjustab tööriista toite katkemise. Katsuge akut: kui see on liiga soe, laske sel enne töö jätkamist maha jahtuda. Kui tööriist siiski tööle ei hakka, laadige aku uuesti.

MÄRKUS. Akupaketi LED-märgutuli ei tööta, kui aku kaitsefunktsioon on põhjustanud akupaketi toite katkemise. Vabastage sisse-välja lüliti või eemaldage tootest aku ning aku LED-indikaatori tavafunktsioon taastub.

ÜLDISED MURUNIITMISE SOOVITUSED

Aku tööiga sõltub töötingimustest, töö kestusest ja rohu tihedusest.

Reguleerige muruniiduki lõikekõrgus välja sellisele kõrgusele, mis sobib pügatavale murule.

Muru seisund	Soovitav reguleerikõrgus		Pindala (maksimum)	
	Esimene läbim	Järgnevad läbimid	Aku 4 Ah	Aku 5 Ah
Väga hõre / Kuiv	3	2	200 m ²	250 m ²
Hõre / Kuiv	4	3 → 2	150 m ²	200 m ²
Keskmine	5	4 → 3	100 m ²	150 m ²

* Aku: RB18L40

- Tihedat muru kärpige parima jõudluse saavutamiseks alati esmalt ühe kolmandiku kõrguselt või vähem.
- Kui niidate pikka muru, vähendage jalutuskiirust, et niide oleks efektiivsem ja peenmassi puistamine ühtlasem.
- Ärge lõigake märga rohtu - see kleepub põhjale ja takistab roholõikmete nõuetekohast kogumist või väljapaiskumist.
- Uus või tihe rohi võib nõuda kõrgemat lõikekõrgust.

- Kui soovite niidetud muru kokku koguda, eemaldage multšimiskate ja kasutage murukogujat; kontrollige, et muru väljalaskeava kate on korralikult kinni. Tühjendage rohukotti regulaarselt, vastasel juhul ummistub väljaheiterenn rohu jäätmetega.
- Kui teete kergelt pügamist ja soovite, et niitmisejärgid jääksid murule, paigaldage multšimisplakk ja sulgege muru eemaldamise tühjendusava, et katta väljalaskeava. Sellisel juhul ei ole vaja murukogujat paigaldada.
- Toode on kavandatud töötama ja lõikama kõige efektiivsemalt edasiliikudes.
- Kõrgemalt lõikamisel pikeneb aku tühjenemise aeg.

TRANSPORTIMINE JA HOIUSTAMINE

- Peatage toode, eemaldage lahküliti võti ja aku. Veenduge, et kõik masina liikuvad osad on täielikult seiskunud. Enne hoiustamist või sõidukis transportimist laske tootel maha jahtuda.
- Puhastage seade kõikidest võõrkehadest. Hoidke kuivas ja hästi ventileeritud kohas, mis on lastele juurdepääsmatu. Hoidke kettaaagi eemal söövitavatest ainetest nagu aiakemikaalid ja jäätõrjevahendid. Ärge hoiustage õues.
- Sõidukis transportimiseks eemaldage lahküliti võti ja kinnitage toode nii, et see ei liiguks ega kukuks. Nii väldite vigastusi inimestele või kahjustusi tootele.

⚠ HOIATUS

Olge äärmiselt ettevaatlik toodet hooldamise, puhastamise, hoiulepaneku või transpordi ajal tõstes või kallutades. Lõiketera on terav; hoidke kõik kehaosad lahtisest terast eemal.

LIITUMAKUDE TEISALDAMINE

Akude transportimisel juhendage kasutuskohas kehtivatest riiklikest määrustest ja eeskirjadest.

Akude transportimisel allettevõtjate poolt järgige kõiki pakkimise ja tähistamise erinõudeid. Veenduge, et akud ei satu kokkupuutese teiste akude ega voolu juhtivate materjalidega, kui avatud klemmid



on transportimise ajal kaitstud voolu mittejuhtivate isoleerkorkide või teibiga. Ärge transportige pragunenud või lekkivaid akusid. Küsige lisateavet transportettevõttelt.

HOOLDUS

⚠ HOIATUS

Kasutage ainult tootja originaalvaruosi, tarvikuid ja tööorganeid. Selle nõude eiramine võib põhjustada, kehavigastuse, tootluse languse ja teile antud garantii tühistamise.

⚠ HOIATUS

Hooldamine nõuab ülimalt korrashoidu ja teadmisi ning tuleks teostada ainult kvalifitseeritud hooldustehnikute poolt. Toodet tohib parandada vaid volitatud teeninduses. Muruniiduki hooldamisel kasutage ainult tootja originaalvaruosi.

- Peatage toode, eemaldage lahkliitli võti ja aku. Veenduge, et kõik liikuvad osad on täielikult peatunud enne toote puhastamist või hooldamist.
- Siinkohal kirjeldatud reguleerimis- ja remonttöid võite teha ise. Muude remonditööde tellimiseks ja abi saamiseks pöörduge volitatud hoolduskeskusesse.
- Asendage kulunud või vigastatud osad, et tagada ohutus.
- Kontrollige murukogujat sageli kulumise ja halvenemise suhtes.
- Pühkige trimmer pärast iga kasutuskorda pehme kuiva lapiga puhtaks. Vigastatud osad tuleb lasta pädeval hooldajal parandada või asendada.
- Kontrollige kõiki mutreid, polte ja kruvisid sagedaste intervallidega õige pinguloleku suhtes, et veenduda toote ohutus töökorras olemises.
- Olge seadme reguleerimisel ettevaatlik, et vältida sõrmede jäämist liikuvate lõiketerade ja seadme liikumatute osade vahele.
- Lõiketerade hooldamisel olge ettevaatlik, sest kuigi toide on välja lülitatud, võivad lõiketerad siiski liikuda.
- Seadme lõiketera on terav. Olge nende paigaldamise, asendamise ja kinnituspoldi

kinnituse kontrollimise ajal väga ettevaatlik ning kandke tugevdatud kaitsekindaid.

- Ärakulunud ja vigastatud lõiketerad ning poldid tuleb asendada komplektis, et säilitada tasakaalustatus.
- Lõiketera poldid peavad olema piisavalt tugevalt kinni. **Vaadake käesoleva juhendi toote tehniliste andmete tabelist tootja soovitusi lõiketera poldide pingutusmomendi kohta.**

UMMISTUSE KÕRVALDAMINE

- Peatage toode, eemaldage lahkliitli võti ja aku. Veenduge, et kõik masina liikuvad osad on täielikult seiskunud.
- Seadme kontrollimisel ja ummistumisel kandke tugevdatud kaitsekindaid.
- Lõiketerad on teravad ja takistuse põhjuseks võib olla terav ese.
- Eemaldage murukoguja, kontrollige takistuste esinemist ja eemaldage need ettevaatlikult.
- Kontrollige muru väljalaskeava takistuste osas ja eemaldage need hoolikalt.
- Pöörake toode külili, kontrollige selle põhja ja lõiketera ümbrust. Kui esineb takistusi, eemaldage need ettevaatlikult. Pidage meeles, et tera võib puhastamise ajal liikuda.

JÄÄKRISKID

Isegi siis, kui kultivaatorit kasutatakse kirjeldatud viisil, ei ole võimalik kõrvaldada kõiki jääriskide mõjureid. Töötamise ajal võivad tekkida järgmised ohud, millele operaator peab pöörama erilist tähelepanu.

- Vibratsioonist põhjustatud kehavigastus
 - Alati kasutage tööks sobivat tööriista. Kasutage ettenähtud käepidemeid, piirake tööaega ja kokkupuudet vibratsiooniga.
- Mürast põhjustatud vigastus
 - Tugev müra võib põhjustada kuulmiskahjustuse. Kandke kuulmiskaitsevahendeid ja piirake müraga kokkupuudet.
- lõiketerade kokkupuutest tingitud kehavigastus
- Lenduvate esemete poolt põhjustatud vigastus



RISKI ALANDAMINE

Teadaolevalt võib käsitööriistade kasutamine põhjustada mõnedel inimestel seisundit, mida nimetatakse Raynaud' sündroomiks. Sümptomidena võib ilmneda sõrmede tuimus ja valkjaks muutumine, mis tavaliselt ilmneb külmas töötamisel. Nende sümptomite puhul tuleb hoiduda külmast ja niiskusest, dieedist ning suitsetamisest ja kasutada õigeid töövõtteid. Vibratsiooni mõju vähendamiseks tuleb rakendada järgmisi abinõusid.

- Külma ilmaga hoidke oma keha soe. Kandke kindaid, et hoida oma käed ja randmed soojad. Uuringud näitavad, et Raynaud's Syndrome ilmneb põhiliselt külma ilmaga.
- Pärast külmas töötamist tehke harjutusi, et verevarustust kiirendada.
- Tehke regulaarselt töövaheaegasid. Piirake tööperioodi pikkust.

Kui ilmnevad haigustunnused, lõpetage kohe töö ja pöörduge arsti poole.

⚠ HOIATUS

Seadme pikaajalisel kasutamisel võite saada kehavigastusi ja varasemad vigastused võivad süveneda. Seadme kasutamisel pika aja jooksul tuleb teha korralisi vaheaegasid.

ÕPPIGE OMA TOODET TUNDMA

Vt leht 193.

Seadme osad

1. Käepide
2. Sisse ja välja lülitamise nupp
3. Käivitusnupp
4. Mootori juhtimiskaabel
5. Mootori juhtkaabli kinniti
6. Akupesa kaas
7. Käepideme kinnituspupp
8. Rohukasti täitumise märgutuli
9. Rohupüüdur
10. Muru väljalaskeava kate
11. Käepideme lukustus
12. Tagaratas
13. Kõrguse reguleerimishoob
14. Esiratas
15. Lülitusvõti
16. Aku
17. Laadija
18. Multšimissulgur

MASINAL OLEVAD SÜMBOLID



Enne seadmega töö alustamist lugege kõik juhised hoolikalt läbi ja pidage kinni hoiatustest ja ohutusega seotud juhistest.



Kandke kuulmiskaitsevahendeid



Kandke silmakaitsevahendeid



Ärge töötage kallakul, mille kalle on üle 15°. Niitke kallakutel olevat muru risti, mitte kunagi ülesalla suunaliselt.



Ärge jätke vihma kätte või kasutage niiskes kohas.



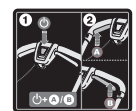
Olge teravate lõiketeradega ettevaatlik. Lõiketera jätkab pöörlemist pärast mootori väljalülitamist - võtke lahklüliti võti enne hooldamist välja.



Hoiduge ülespaisatud ja lendavate esemete eest. Hoidke kõik kõrvalseisjad, eriti lapsed ja lemmikloomad tööalalt vähemalt 15 meetri kaugusele.



Käepideme kõrguse reguleerimiseks on 3 taset. Kontrollige, kas torud on õigesti sees, eriti kõrgeimal tasemel. Käepide võib aukudest välja tulla, kui see ei ole õigesti paigas ja lukustatud.



Seadme käivitamiseks vajutage käivitusnupule Start ja seejärel sisse-välja lülitamise nupule On-off (A või B). Seadmega töötamise ajaks vabastage käivitusnupp Start ja hoidke all sisse-välja lülitamise nuppu. Seadme seiskamiseks vabastage sisse-välja lülitamise nupp.



Käik



Stopp



Enne seadme kasutamist lugege palun kasutusjuhend hoollega läbi.



Mittekasutatavaid elektritooteid ei tohi visata olmejäätmete hulka. Vaid tuleb viia vastavasse kogumispunkti. Vajadusel küsige sellekohast nõu oma edasimüüjalt või vastavalt kohaliku omavalitsuse institutsioonilt.



Vastab kõigile eeskirjadele EL-i liikmesriigis, kus toode on ostetud.



Euraasia vastavusmärk



Ukraina vastavusmärgis



Etiketil näidatud tagatud helivõimsusetase on 96 dB.

KASUTUSJUHENDI SÜMBOLID



Eraldi ostetavad osad või tarvikud



Märkus



Hoiatus

Järgnevad märksõnad ja selgitused on mõeldud selle toote kasutamisega seotud riskitasemete kirjeldamiseks.

OHT.

Viitab kohe tekkivale ohtlikule situatsioonile, mis, kui ei väldita, lõpeb surma või tõsise vigastusega.

HOIATUS

Viitab võimalikule ohtlikule situatsioonile, mis, kui ei väldita, võib lõppeda surma või tõsise vigastusega.

ETTEVAATUST

Viitab võimalikule ohtlikule situatsioonile, mis, kui ei väldita, võib lõppeda väiksemate või keskmiste vigastusega.

ETTEVAATUST

(Ilma ohutussümbolita) Viitab olukorrale, mis võib põhjustada kahjustusi varale.



U razvoju ovog belaidé vejjapjové dati su maksimalni prioriteti sigurnosti, performansama i pouzdanosti.

NAMJENA

Bežična kosilica za travu namijenjena je isključivo uporabi na otvorenom prostoru.

Ovaj uređaj namijenjen je za rezanje travnjaka u domaćinstvu. Oštrica za rezanje treba se rotirati približno paralelno na tlo iznad kojeg se vozi. Sva četiri kotača dodiruju zemlju prilikom pomicanja. To je kontrolirano pješaćenje iz kosilice dizajnirano za gurenje rukom.

proizvod nikada ne smije raditi s podignutim kotačim od tla. Zabranjeno je povlačiti proizvod ili sjediti na njemu dok radi. Ne bi se smjelo koristiti za rezanje ničega osim travnjaka u domaćinstvu.

Nemojte koristiti oštricu u nikakvu drugu svrhu.

OPĆA SIGURNOSNA PRAVILA

⚠ UPOZORENJE

Prilikom korištenja proizvoda moraju se slijediti sigurnosna pravila. Radi vaše i sigurnosti ostalih promatrača, molimo vas da prije rada s proizvodom pročitate ove upute. Molimo vas da čuvate ove upute radi kasnijeg korištenja.

⚠ UPOZORENJE

Proizvod koristite isključivo s baterijama specificiranim u ovom korisničkom priručniku. Prilikom korištenja AKU uređaja, uvijek se valja pridržavati osnovnih mjera opreza kako biste smanjili opasnost od požara, curenja baterija i osobnih ozljeda.

OSOBNA SIGURNOST

- Proizvod može amputirati ruke i stopala i izbacivati predmete. Propust da se pridržavate svih uputa o sigurnosti može imati za posljedicu ozbiljne osobne povrede ili smrt.
- Upoznajte se s upravljačkim elementima i pravilnim korištenjem proizvoda.
- Nikada ne dopustite djeci ili osobama sa smanjenim fizičkim, osjetilnim ili mentalnim mogućnostima ili osobama koje nisu

upoznate s ovim uputama da rade, čiste ili oražavaju ovaj proizvod. Moguće je da lokalni propisi propisuju starosnu dob rukovatelja. Djecu je potrebno odgovarajuće nadzirati kako bi se osiguralo da se ne igraju s proizvodom.

- Budite na oprezu, gledajte to što radite i pri radu s jedinicom koristite zdrav razum. Nemojte raditi s uređajem kada ste umorni, bolesni ili pod utjecajem alkohola, droge ili lijekova. Gubitak koncentracije tijekom rada uređaja može dovesti do ozbiljnih osobnih ozljeda.
- Nosite duge radne hlače, duge rukave i radne cipele s protukliznim potplatom. Nemojte nositi kratke hlače i sandale, ili hodati bosih nogu. Izbjegavajte nositi odjeću koja je labava ili s nje visi konop ili kravata.
- Uvijek nosite zaštitne naočale sa bočnim štitnicima.
- Uvijek se čvrsto uprite, posebice na kosinama. Zauzmite čvrst stav i ravnotežu. Hodajte, nemojte trčati.
- Koristite proizvod uzduž kosine nikada gore i dolje. Posebnu pozornost obratite kada mijenjate smjer na kosini.
- Nemojte koristiti proizvod pored kosina, jaraka, previše stepenastih kosina ili nasipa. Loša obuća može izazvati klizanje ili pad.

RADNA OKOLINA

- Nikada ne koristite proizvod dok su ljudi, posebice djeca ili kućni ljubimci unutar 15 m jer postoji opasnost da predmeti budu odbačeni u kontaktu s oštricom.
- Predmeti koje udari kosilica mogu osobama nanijeti ozbiljne povrede. Temeljito provjerite područje gdje će se uređaj koristiti i uklonite svo kamenje, štapove, metal, žicu, kosti, igračke ili druge strane predmete. Imajte na umu, flaks ili žica mogu se zaglaviti u reznom mehanizmu.
- Koristite proizvod po danjem svijetlu ili pri dobroj umjetnoj rasvjeti.
- Nemojte rukovati uređajem u eksplozivnim atmosferama u kojima su prisutne zapaljive tekućine, plinovi ili prašina. Uređaj može stvoriti iskre koje mogu zapaliti prašinu ili pare.
- Nemojte raditi s uređajem u mokroj travi ili



na kiši.

- Nemojte raditi s proizvodom kada postoji opasnost od grmljavinskog nevremena.
- Imajte na umu da je rukovatelj ili korisnik odgovoran za nezgode ili opasnosti koje nastanu drugim osobama ili njihovoj imovini.
- Tragične nezgode se mogu dogoditi ukoliko rukovatelj nije svjestan prisutnosti djece. Djecu čestu privuče stroj i posao košenja. Nikada ne pretpostavite da će djeca ostati tamo gdje ste ih posljednji put vidjeli.
- Djeca se ne smiju zadržavati u radnom području kosilice te moraju stalno biti pod nadzorom odgovorne odrasle osobe koja ne rukuje uređajem, stoga uvijek budite na oprezu i isključite proizvod ako uočite dijete u radnom području kosilice.
- Posebno pazite na slijepe kutove, grmlje, drveće ili druge objekte, uključujući i grane i grmlje koje vise iznad glave i vam blokiraju vidno polje.

KORIŠTENJE I BRIGA O AKU ALATU

- Pročitajte, razumite i uvijek slijedite sigurnosne upute koje dolaze s baterijom i punjačem. Nepoštivanje ovog upozorenja može rezultirati električnim udarom, požarom ili drugim opasnim situacijama. Držite sve upute zajedno na sigurnom mjestu za buduće korištenje.
- AKU uređaje nije potrebno priključivati u električne utičnice, stoga su uvijek u radnom stanju. Uklonite sigurnosni ključ kad got ne radite s proizvodom.
- Uklonite bateriju prije izvođenja svih podešavanja, čišćenja ili uklanjanja materijala iz uređaja.
- Osigurajte da je prije umetanja baterije ključ za kontakt uklonjen.
- Baterija se mora puniti samo s punjačem specificiranim od proizvođača. Korištenje punjača s nekompatibilnom baterijom može izazvati opasnost od požara. Koristite baterije samo s navedenim punjačem.
- Koristite samo baterije posebno namijenjene za uređaj. Korištenje bilo kojih drugih baterija može dovesti do opasnosti od požara, strujnog udara ili ozljeda osoba.
- **Kada se baterija ne koristi držite je dalje od drugih metalnih predmeta kao što su spaljice za papir, kovanice, ključevi,**

čavli, vijci ili drugi mali metalni predmeti koji mogu spojiti jedan pol na drugi. Kratki spoj polova baterije može izazvati iskre, opekotine, požar ili eksploziju.

- Ne postavljajte uređaje na baterije ili njihove baterije pored plamena ili topline. Ovo će povećati opasnost od eksplozije i moguće ozljede.
- Nemojte otvarati ili oštećivati bateriju. Oslobođeni elektroliti su korozivni i mogu dovesti do oštećenja očiju ili kože. Ako se proguta može biti otrovno.
- Zaštitite bateriju od vlage i vode. Ne puniti uređaj u vlažnim ili mokrim mjestima. Poštovanjem ovog pravila smanjit će se opasnost od strujnog udara.
- U slučaju oštećenja ili nepravilnog korištenja baterije, može doći do ispuštanja pare. Izidite na svjež zrak i potražite liječničku pomoć u slučaju poteškoća. Pare mogu nadražiti respiratorni sustav.
- Nemojte ostavljati bateriju u vozilu tijekom toplih ili hladnih vremenskih uvjeta.
- Nemojte spaljivati bateriju.
- Pod uvjetima loma može doći do izbacivanja tekućine iz baterije, izbjegavajte kontakt. Ako dođe do nehotičnog kontakta, isperite to mjesto s vodom. Ako tekućina dospije u oči, dodatno potražite liječničku pomoć. Tekućina koja istječe iz baterije može dovesti do iritacije ili opekotina.

SIGURNOSNA UPOZORENJA ZA KOSILICU

- Prije korištenja, uvijek vizualno provjerite uređaj kako biste osigurali da oštrice, svornjaci oštrica i sklop rezača nisu istrošeni ili oštećeni.
- Kako biste održali ravnotežu zamijenite istrošene ili oštećene oštrice i svornjake u sklopovima.
- Oštica na proizvodu je oštra. Budite pažljivi i nosite zaštitne rukavice kada postavljate, zamijenjujete, čistite ili provjeravate sigurnost vijaka.
- Za zamjenu oštećenih ili nečitljivih naljepnica vratite proizvod u ovlaštenu servisnu centar.
- Često provjeravajte sve matice i zavrtnje da li su dobro pritegnuti kako biste bili sigurni da je kosilica u sigurnom radnom stanju.



- Povremeno provjeravajte kutiju za travu na istrošenost, otvore ili propadanje.
- Zamijenite istrošene ili oštećene dijelove prije rada s proizvodom.
- Proizvod se mora pokrenuti tako da korisnik stoji iza ručke u sigurnoj zoni za operatera. Nikada ne pokrećite proizvod ako:
 - sva četiri kotača nisu na zemlji
 - žlijeb za ispuštanje trave je izložen i nije zaštićen kutijom za travu i poklopcem žlijeba
 - Ruke i stopala svih osoba nisu zaštićene kućištem za rezanje.
- Nikada ne radite s proizvodom ako sklopka za uklj./isklj. na ručki pravilno ne pokreće i zaustavlja proizvod.
- Nikada ne pokušavajte zaključati sklopku za uključivanje/isključivanje u položaju UKLJUČENO; ovo je izuzetno opasno.
- Nemojte proizvod koristiti iznad njegovih mogućnosti. Uređaj će bolje i sigurnije raditi na brzini za koju je konstruiran.
- Zaustavite oštricu kad prelazite preko šljunčanih površina.
- Nemojte proizvod povlačiti unatrag osima ko nije nužno potrebno. Ako se morate s uređajem maknuti unazad od zida ili prepreke, najprije pogledajte dolje i iza kako biste izbjegli saplitanje ili povlačenja uređaja preko stopala.
- Zaustavite motor i omogućite oštricu da se zaustavi ako se kosilica mora nagnuti radi transporta kod prelaska površina koje nisu travnate i kad transportirate proizvod do i od područja košenja.
- Nikada nemojte raditi s uređajem s oštećenim pokrovima ili štitnicima, ili bez sigurnosnih uređaja, npr. postavljenog deflektora i/ili kutije za travu.
- Nemojte nagnjati proizvod prilikom uključivanja motora ili dok motor radi. Radi lakšeg pokretanja, ali samo ako je to potrebno, možete podići prednji dio kosilice ne više 5 cm. Kako biste to postigli, pritisnite ručku prema dolje. Prije početka rezanja obavezno vratite kosilicu u njen normalni položaj, sa svim kotačima na zemlji. Nagnjanjem kosilice izlaže se nož uređaja, što povećava mogućnost izbacivanja predmeta iz područja noža i slučajnog dodira s oštricom.
- Pažljivo uključite motor prema koracima u uputstvima, pritom ruke i noge držite dalje od noževa. Nemojte stavljati ruke ili stopala blizu ili ispod rotirajućih dijelova.
- Nikada ne podižite ili ne nosite proizvod dok motor radi.
- Zaustavite proizvod, izvadite izolacijski ključ i bateriju. Provjerite da su svi pokretni dijelovi zaustavljeni:
 - kada got ostavljate proizvod bez nadzora (uključujući odlaganja nekupina trave).
 - prije odstranjivanja objekata zaglavljanih u stroju ili odštopavanja žlijeba za ispuštanje trave
 - prije provjere, čišćenja ili rada na uređaju
 - prije uklanjanja kutije s travom ili otvaranja poklopca trake za pražnjenje trave
 - nakon odbacivanja nepoznatog predmeta; provjerite uređaj na oštećenja i po potrebi izvršite popravke prije ponovnog pokretanja i rada uređaja.
 - ako uređaj počne abnormalno vibrirati (odmah provjerite)
 - provjerite na oštećenja, posebice oštrice
 - zamijenite ili popravite sve oštećene dijelove
 - provjerite ima li i pritegnite sve labave dijelove
- Izbjegavajte rupe, kolotrage, ispupčenja, kamenje i druge prikrivene predmeta. Neravan teren može uzrokovati klizanje i pad.
- Uvijek osigurajte da kabel za upravljanje motorom nije zapegljan, priklješten ili na neki drugi način oštećen tijekom sklapanja ili preklapanja ručke.



DODATNA SIGURNOSNA UPOZORENJA ZA BATERIJU

⚠ UPOZORENJE

Zbog izbjegavanja opasnosti od požara jednim kratkim spojem, opasnosti od ozljeda ili oštećenja proizvoda, alat, izmjenjivi akumulator ili napravu za punjenje ne uronjavati u tekućine i pobrinite se za to, da u uređaje ili akumulator ne prodiru nikakve tekućine. Korozirajuće ili vodljive tekućine kao slana voda, određene kemikalije i sredstva za bijeljenje ili proozvodi koji sadrže sredstva bijeljenja, mogu prouzročiti kratak spoj.

ZNAČAJKE PROIZVODA

PREOPTEREĆENJA I PREGRIJAVANJA ZAŠTITA

Proizvod ima ugrađeni uređaj za zaštitu od preopterećenja. Nakon otkrivenog preopterećenja proizvod će se automatski isključiti. Ako je aktiviran zaštitnik preopterećenja, gumb uklj./isklj. mora biti otpušten. Pritisnite gumb uklj./isklj. za ponovno pokretanja proizvoda.

Baterija ima problem pregrijavanja. Prekomjerne temperature uzrokuju da baterija prestane napajati alat. Ako je baterija prevruća, pustite je da se ohladi prije nego što nastavite s radom. Ako alat i dalje ne radi, napunite bateriju.

NAPOMENA: LED pokazivač baterije neće raditi ako je značajka zaštite baterije dovela do prekida napajanja alata. Otpustite gumb za uključivanje/isključivanje ili izvadite bateriju iz proizvoda i LED pokazivač stanja baterije će nastaviti s normalnim radom.

OPĆI SAVJETI ZA KOSILICU

Vrijeme rada baterije ovisi o uvjetu, duljini i gustoći trave.

Podesite visinu rezanja kosilice kako biste trenutni uvjet kosilice prilagodili kosilici.

Stanje trave	Predloženo podešenje visine		Pokrivenost (maksimalno)	
	Prvi otkos	Uspješno otkošeno	Baterija od 4 Ah	Baterija od 5 Ah
Vrlo tanko/suho	3	2	200 m ²	250 m ²

Tanko/suho	4	3 → 2	150 m ²	200 m ²
Srednje/gusto	5	4 → 3	100 m ²	150 m ²

* Baterija: RB18L40

- Za najbolju učinkovitost, uvijek kosite trećinu ili manje ukupne visine trave.
- Kada kosite visoku travu, smanjite brzinu kretanja kako bi košenje bilo učinkovitije i pravilno izbacivanje pokošene trave.
- Nemojte kositi vlažnu travu, zaglaviti će se na donjem dijelu ploče i spriječiti pravilno prikupljanje ili pražnjenje komada trave.
- Nova ili debela trava mogu zahtijevati višu visinu rezanja.
- Želite li odrezanu travu prikupiti zbog zbrinjavanja, uklonite poklopac za malčiranje i montirajte hvatač trave prethodno provjerivši je li poklopac žlijeba za izbacivanje trave dobro zatvoren. Redovite praznite kutiju za travu, u suprotnom traka za pražnjenje može se blokirati s izrezanom travom.
- Ako obavljate blago šišenje i želite da ostaci odrezane trave ostanu na travnjaku, na kosilicu montirajte poklopac za malčiranje i spustite poklopac na žlijebu za izbacivanje trave kako biste pokrili otvor za izbacivanje. U tom slučaju nije potrebno montirati hvatač trave.
- Proizvod je dizajniran za najučinkovitiji rad i rezanje kada se kreće prema naprijed.
- Veća visina košenja produljuje vijek trajanja baterije.

PRIJEVOZ I SKLADIŠTENJE

- Zaustavite proizvod, izvadite izolacijski ključ i bateriju. Provjerite da su svi pokretni dijelovi zaustavljeni. Dozvolite da se proizvod ohladi prije nego što ga uskladištite ili odnesete u vozilo.
- Očistite svaki strani materijal s uređaja. Skladištite ga na suhom i dobro ventiliranom mjestu koje nije pristupačno djeci. Nemojte ju ostavljati u blizini korozivnih agenasa kao ni vrtnih kemijskih proizvoda i soli za odmrzavanje. Ne ostavljajte na otvorenom.
- Kako biste spriječili tjelesne ozljede putnika ili oštećivanje proizvoda prilikom transporta proizvoda u vozilu, izvadite izolacijski ključ iz proizvoda i učvrstite ga i osigurajte od

pomicanja ili pada.

⚠ UPOZORENJE

Budite posebno oprezni prilikom podizanja ili nagnjanja proizvoda radi održavanja, čišćenja, pohranjivanja ili transporta: nož kosilice je oštar, stoga pazite da tijelom ne dođete u blizinu noža.

TRANSPORTIRANJE LITIJUMSKIH BATERIJA

Transportirajte bateriju u skladu s lokalnim i nacionalnim pravima i zakonima.

Slijedite sve specijalne zahtjeve na pakiranju i naljepnicama prilikom transporta baterije od treće strane. Osigurajte da baterija ne može doći u kontakt s drugim baterijama ili provodnim materijalima tijekom transporta tako da zaštitite izložene priključke s izolacijom, kapicama koje ne provode energiju ili trakom. Nemojte transportirati baterije koje su polomljene ili cure. Provjerite kod kompanije koji transportirate za daljnju pomoć.

ODRŽAVANJE

⚠ UPOZORENJE

Koristite samo originalne zamjenske dijelove, dodatni pribor i priključke od proizvođača. Nepoštivanje ovih uputa može dovesti do mogućih ozljeda, loše učinkovitosti i može dovesti do poništenja jamstva.

⚠ UPOZORENJE

Servisiranje iziskuje krajnju pažnju i znanje i treba da ga vrši samo kvalificirani serviser. Neka se proizvod servisira samo u ovlaštenom servisnom centru. Prilikom servisiranja, koristite samo originalne zamjenske dijelove od proizvođača.

- Zaustavite proizvod, izvadite izolacijski ključ i bateriju. Prije bilo kakvih radnji čišćenja ili održavanja na uređaju obavezno provjerite jesu li se u potpunosti zaustavili svi pokretni dijelovi.
- Možete izvršiti podešavanja i popravke koji su opisani ovdje. Za ostale popravke ili savjete, potražite pomoć ovlaštenog

servisnog centra.

- Iz sigurnosnih razloga zamijenite istrošene ili oštećene dijelove.
- Često provjeravajte skupljač trave na habanje i oštećenja.
- Nakon svakog korištenja proizvod obrišite sa suhom mekom krpom. Svaki oštećeni dio trebao bi pravilno popraviti ili zamijeniti ovlašteni servisni centar.
- Često provjeravajte sve matice i zavrtnje da li su dobro pritegnuti kako biste bili sigurni da je proizvod u sigurnom radnom stanju.
- Kako biste spriječili zahvaćenje prstiju između pokretnih oštrica i utvrđenih dijelova uređaja pazite prilikom podešavanja uređaja.
- Prilikom servisiranja oštrica pazite da iako je isključeno napajanje oštrice se mogu pomicati.
- Oštica na proizvodu je oštra. Budite pažljivi i nosite zaštitne rukavice kada postavljate, zamijenjujete, čistite ili provjeravate sigurnost vijaka.
- Kako biste održali ravnotežu zamijenite istrošene ili oštećene oštrice i svornjake u sklopovima.
- Vijci noža moraju biti propisno zategnuti. **Pogledajte preporuke proizvođača za zatezni moment pričvršćivanja vijka noža navedene u tablici specifikacija proizvoda u ovom priručniku.**

ČIŠĆENJE BLOKADA

- Zaustavite proizvod, izvadite izolacijski ključ i bateriju. Provjerite da su svi pokretni dijelovi zaustavljeni.
- Uvijek nosite zaštitne rukavice velike debljine kada provjeravate ili čistite blokiranost.
- Noževi su oštri, a samu blokadu može izazvati oštar predmet.
- Uklonite hvatač trave, pregledajte i pažljivo uklonite zaglavljene objekte.
- Pregledajte žlijeb za izbacivanje trave i pažljivo uklonite zaglavljene objekte.
- Okrenite proizvod na bočnu stranu, pregledajte donju stranu stroja i područje oko noža. Ako ih uočite, pažljivo uklonite zaglavljene objekte. Zapamtite da se nož može pomicati za vrijeme čišćenja.

OSTALE OPASNOSTI

Čak i kad je proizvod korišten kao što je prethodno opisano, još uvijek nije moguće potpuno isključiti ostale čimbenike opasnosti. Može doći do sljedećih opasnosti tijekom korištenja i operater mora obratiti posebnu pozornost kako bi izbjegao sljedeće:

- Ozljede uzrokovane vibracijom
 - Koristite točan alat za posao. Koristite označenu kopču i ograničite radno vrijeme i izloženost.
- Ozljede uzrokovane bukom
 - Izlaganje buci može izazvati povredu sluha. Nosite zaštitu za sluh i ograničite izloženost.
- Ozljede od kontakta s pločom za rezanje
- Ozljede uzrokovane izbačenim i letećim predmetima

SMANJENJE OPASNOSTI

Prijavljeno je da vibracije alata koje se drži u ruci kod određenih pojedinaca mogu doprinijeti stanju pod nazivom Raynaud's Syndrome. Simptomi mogu uključivati trnce, ukočenost i bjelinu prstiju, obično uočljivo po izlaganju hladnoći. Smatra se da nasljedne osobine, izlaganje hladnoći i vlazi, dijeta, pušenje i radni postupci pridonose razvoju ovih simptoma. Postoje mjere koje operater može poduzeti kako bi smanjio moguće učinke vibracije:

- Održavajte svoje tijelo toplim u hladnim vremenskim uvjetima. Kad radite s proizvodom nosite rukavice kako biste ruke i zglobove održavali toplima. Prijavljeno je da je hladnoća glavni čimbenik koji doprinosi Raynaud's Syndrome.
- Nakon svakog perioda rada vježbajte kako biste povećali cirkulaciju krvi.
- Uzimajte česte stanke u radu. Ograničite količinu izlaganja po danu.

Ako osjetite neke od simptoma ovog stanja, odmah prekinite korištenje i obratite se svome liječniku vezano uz ove simptome.

⚠ UPOZORENJE

Povrede mogu biti uzrokovane ili zadobivene produljenim korištenjem alata. Kada koristite bilo koji alat dulje vremena, osigurajte da uzimate povremene stanke.

UPOZNAJTE SVOJ PROIZVOD

Pogledajte stranicu 193.

Dijelovi

1. Ručka
2. Gumb za uključivanje/isključivanje
3. Gumb za pokretanje
4. Kabel upravljanja motorom
5. Držač kabela za upravljanja motorom
6. Vratašca za bateriju
7. Gumb za ručku
8. Pokazatelj napunjenosti kutije za travu
9. Kutija za travu
10. Poklopac žlijeba za izbacivanje trave
11. Blokada ručice
12. Stražnji kotač
13. Ručica za podešavanje visine
14. Prednji kotač
15. ključ za kontakt
16. Baterija
17. Punjač
18. Usitnjivač

SIMBOLI NA PROIZVODU



Pročitajte i razumite sve upute prije rada s proizvodom, slijedite sva upozorenja i sigurnosne upute.



Nosite zaštitu za sluh



Nosite sredstva za zaštitu očiju



Nemojte raditi na strminama većim od 15°. Na padini kosite poprijeko, nikada gore-dolje.



Ne izlažite kiši ili vlažnim uvjetima.



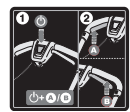
Pazite na oštre oštrice. Oštrice se nastavljaju rotirati nakon što se motor isključi – uklonite sigurnosni ključ prije održavanja.



Čuvajte se odbačenih ili letećih predmeta. Držite sve promatrače naročito djecu i kućne ljubimce, na udaljenosti najmanje 15 m od radnog područja.



Ručica se može podesiti na 3 različite postavke visine. Provjerite jesu li cijevi umetnute i postavljene na pravilan način, posebice ako je ručica na najvišoj postavki visine. Ako nije umetnuta i blokirana na pravilan način, ručica može iskliznuti iz otvora.



Pritisnite gumb za pokretanje i potom gumb uklj./isklj. (A or B) za pokretanje proizvoda. Otpustite gumb za otključavanje i držite pritisnutim gumb za uklj./isklj. za pokretanje uređaja. Za zaustavljanje uređaja otpustite gumb za uklj./isklj.



Kreni



Stop



Molimo da pažljivo pročitate upute prije pokretanja stroja.



Otpadni električni proizvodi ne treba da se odlažu s otpadom iz domaćinstva. Molimo da reciklirate gdje je to moguće. Potražite savjet od lokalnih vlasti ili prodavca kako reciklirati.



Ovaj alat usklađen je sa svim normama i propisima zemlje Europske unije u kojoj je kupljen.



EurAsian znak konformnosti



Ukrajinska oznaka za sukladnost



Deklarirani zvučni tlak prikazan na ovoj naljepnici iznosi 96 dB.

⚠ OPASNOST

Ukazuje na neposrednu opasnu situaciju, koja, ukoliko se ne izbjegne, može rezultirati smrću ili opasnim povredama

⚠ UPOZORENJE

Ukazuje na moguću opasnu situaciju, koja, ukoliko se ne izbjegne, može rezultirati smrću ili opasnim povredama

⚠ UPOZORENJE

Ukazuje na moguću opasnu situaciju, koja, ukoliko se ne izbjegne, može rezultirati manjim ili blažim povredama

UPOZORENJE

(Bez simbola upozorenja sigurnosti) Označava situaciju koja može izazvati oštećenje imovine

SIMBOLI U OVOM PRIRUČNIKU



Dijelovi ili pribor prodan odvojeno



Napomena



Upozorenje

Sljedeće signalne riječi i značenja namijenjeni su objašnjenju razina opasnosti koje su vezane uz ovaj proizvod:

Varnost, učinkovitost in zanesljivost so bile pri načrtovanju vaših bezvady záles plávějs ključnega pomena.

NAMEN UPORABE

Brezžična kosilnica za travo je predvidena samo za uporabo na prostem.

Izdelek je namenjen domači košnji trave. Rezilo naj kroži nekako vzporedno s tlemi, nad katerimi se obrača. Med košnjo se morajo vsa štiri kolesa dotikati tal. Samohodna kosilnica je oblikovana tako, da jo potiskate.

Izdelka nikoli ne smete upravljati tako, da so kolesa dvignjena od tal. Kosilnice se ne sme vleči ali se voziti na njej. Z njim kosite samo domače trate.

Za druge namene ga ne uporabljajte.

SPLOŠNA VARNOSTNA OPOZORILA

⚠ OPOZORILO

Med uporabo stroja upoštevajte varnostna navodila. Za svojo varnost in varnost drugih oseb preberite ta navodila pred uporabo izdelka. Prosimo, shranite ta navodila za kasnejšo rabo.

⚠ OPOZORILO

Izdelek uporabljajte izključno z akumulatorji, navedenimi v tem priročniku. Pri uporabi naprave z baterijo vedno upoštevajte osnovne varnostne ukrepe, da zmanjšate tveganje za požar, puščanje baterij in telesne poškodbe.

OSEBNA VARNOST

- Izdelek lahko odseka roke in noge ter povzroči letenje predmetov. Neupoštevanje vseh varnostnih navodil se lahko konča z resnimi poškodbami ali smrtjo.
- Seznanite se s krmilnimi elementi in pravilno uporabo izdelka.
- Otrokom in osebam z zmanjšanimi fizičnimi, senzoričnimi ali duševnimi zmoglostmi ter osebam, ki niso seznanjene s temi navodili, nikoli ne dovolite uporabljati, čistiti ali vzdrževati izdelka. Lokalni predpisi se morda nanašajo tudi na minimalno starost upravitelja. Otroke nenehno primerno nadzorujte, da se ne bodo igrali z napravo.

- Med uporabo enote bodite pozorni, spremljajte potek dela in uporabljajte zdrav razum. Naprave ne uporabljajte, ko ste utrujeni, bolni ali pod vplivom alkohola, drog ali zdravil. Padec koncentracije pri uporabi naprave lahko privede do hudih telesnih poškodb.
- Nosite debele, dolge hlače, dolge rokave in vzdržljivo obutev, ki ne drsi. Ne nosite kratkih hlač in sandalov in ne rokujte z napravo bosi. Ne nosite oblačil, ki so ohlapna ali z njih visijo trakovi.
- Vedno nosite zaščitna očala s stransko zaščito.
- Vedno stojte trdno, predvsem pri obratovanju na klancih. Pazite na ravnotežje in ne pretiravajte. Vedno hodite, nikoli ne tecite.
- Na pobočjih se premikajte prečno, nikoli gor in dol. Pri menjavanju smeri na pobočjih bodite še posebej previdni.
- Izdelka ne uporabljajte v bližini nagibov, jarkov, izredno strmih pobočij ali nabrežij. Slaba obutev lahko povzroči zdrs in nesrečo.

DELOVNO OBMOČJE

- Izdelka ne uporabljajte, kadar so v območju 15 m ljudje, zlasti otroci ali hišni ljubljenci, saj obstaja nevarnost letečih predmetov zaradi stika z rezilom.
- Objekti, ki jih zadane rezilo kosilnice, lahko povzročijo resne poškodbe. Temeljito preglejte delovno površino in odstranite vse kamne, palice, kovino, žice, kosti, igračke ali druge predmete. V rezalne dele se lahko zaplete vrvi ali žica.
- Izdelek uporabljajte samo pri dnevni svetlobi ali dobri osvetlitvi.
- Naprave ne uporabljajte v eksplozivnih okoljih, npr. v bližini vnetljivih tekočin, plinov ali prahu. Orodje lahko proizvaja iskre, zaradi katerih se lahko prah ali hlapi vnamejo.
- Naprave ne uporabljajte na mokri travi ali na dežju.
- Izdelka ne uporabljajte v primeru pojava nevihte.
- Pomnite, da je upravitelj oz. uporabnik odgovoren za nesreče ali nevarnosti, ki se pripetijo ostalim ljudem ali njihovi lastnini.
- Če upravitelj ni pozoren na prisotnost otrok,

se lahko pripetijo tragične nesreče. Otroke stroj in košnja pogosto zanimata. Nikoli ne domnevajte, da bo otrok ostal tam, kjer ste ga zadnjič videli.

- Otroci naj bodo izven območja košnje in pod skrbnim nadzorom odgovorne odrasle osebe, ki ne uporablja kosilnice; bodite pozorni nanje in kosilnico izklopite, če otroci vstopijo v območje.
- Med približevanjem nepreglednim ovinkom, živim mejam, drevsom ali drugim predmetom, vključno z visečimi živimi mejami, ki lahko ovirajo pogled, bodite posebej previdni.

UPORABA IN VZDRŽEVANJE BATERIJSKEGA ORODJA

- Varnostna navodila, priložena bateriji in polnilniku, morate prebrati, jih razumeti in vedno upoštevati. Če tega ne storite, lahko pride do električnega udara, požara ali drugih nevarnih situacij. Vsa navodila hranite skupaj na varnem mestu za bodočo referenco.
- Enot z baterijo ni treba priključiti v električno vtičnico; zato so vedno v stanju delovanja. Odstranite izolacijski ključ vsakič, ko ne upravljate z izdelkom.
- Pred nastavljanjem, čiščenjem ali odstranjevanjem materiala iz enote iz nje odstranite baterijo.
- Prepričajte se, da je pred vstavitvijo baterije izolacijski ključ odstranjen.
- Baterijo lahko napolnite samo s polnilnikom, ki ga določa proizvajalec. Če polnilnik uporabite z nezdružljivo baterijo, lahko pride do požara. Baterij uporabljajte samo z navedenimi polnilniki.
- Uporabljajte samo baterijo, ki je posebej izdelana za to napravo. Uporaba drugih baterij lahko povzroči požar, električni udar ali telesne poškodbe.
- **Ko baterije ne uporabljate, pazite, da bo odmaknjena od kovinskih predmetov, kot so papirne sponke, kovanci, ključi, žblji, vijaki ali drugih majhni kovinski predmeti, ki bi lahko povzročili povezavo med obema terminaloma.** Združitve dveh različno naelektrenih baterijskih priključkov lahko povzroči iskrice, opekline, ogenj ali eksplozijo.
- Baterijskih izdelkov ali baterij ne postavljajte v bližino ognja ali vročine. To

poveča tveganje za eksplozijo in možnost poškodbe.

- Baterije ne odpirajte in je ne poškodujte. Sproščeni elektroliti so korozivni in lahko poškodujejo oči ali kožo. Lahko so strupeni, če jih zaužijete.
- Baterijo zaščitite pred vlago in vodo. Enote ne polnite v vlažnih ali mokrih pogojih. Z upoštevanjem tega pravila zmanjšate tveganje električnega šoka.
- V primeru poškodbe in napačne rabe baterije lahko pride do hlapenja. Poskrbite, da bo zrak čist, v primeru težav pa poiščite zdravstveno pomoč. Hlapi lahko dražijo dihalni sistem.
- Baterijskega paketa ne pustite v vozilu v vročini ali mrazu.
- Baterije ne sežigajte.
- Ob zlorabi baterije lahko iz nje steče tekočina. Če se po nesreči dotaknete tekočine, mesto dotika sperite z vodo. Če pride tekočina v stik z očmi, poiščite zdravstveno pomoč. Tekočina, ki izteče iz baterije, lahko povzroči vnetje ali opekline.

VARNOSTNA OPOZORILA ZA KOSILNICO

- Pred vsako uporabo jo preglejte in se prepričajte, da rezila, vijaki rezila in sestavni deli rezalnika niso obrabljeni ali poškodovani.
- Obrabljena ali poškodovana rezila in vijake zamenjajte v kompletih, da ohranite uravnoteženost naprave.
- Rezilo na izdelku je ostro. Bodite previdni in nosite močne zaščitne rokavice, kadar nameščate, menjate, čistite ali preverjate pritrditve elementov na izdelku.
- Poškodovane ali nečitljive nalepke naj zamenjajo v pooblaščenem servisnem centru.
- Pogosto preverjajte, ali so vse matice in vijaki dobro priviti in tako zagotovite varno delovno stanje opreme.
- Redno preverjajte, ali je zbiralnik obrabljen, preluknjan ali pokvarjen.
- Zamenjajte obrabljene ali poškodovane dele, preden izdelek znova uporabite.
- Upravitelj mora izdelek zagnati v položaju za ročaji, ki je zanj najbolj varen. Izdelka ne zaganjajte, če:
 - niso vsa štiri kolesa na tleh;



- izstresišče trave je odprto in ni zavarovano s košem za travo in pokrovom izstresišča trave
- dlani in stopala vseh oseb niso varno oddaljena od območja rezanja.
- Z izdelkom ne upravljajte, če ga s stikalom za vklop/izklop na ročaju ne morete ustrezno zagnati in ustavite izdelek.
- Stikala za vklop/izklop, ki je v položaju za vklop (ON), nikoli ne poskušajte zakleniti, ker je to izjemno nevarno.
- Izdelka ne preobremenjujte. Nalogo bo opravila bolje in varneje pri hitrosti, za katero je bila zasnovana.
- Pri košnji prek peščenih površin rezilo ustavite.
- Izdelka ne vlečite nazaj, razen če je to zares nujno. Če morate napravo odmakniti od zidu ali ovire, se najprej ozrite navzdol in nazaj, da se ne spotaknete ali si naprave ne povlečete čez stopala.
- Če je treba izdelek nagniti zaradi prečkanja površin, ki niso travnate, in če transportirate izdelek na območje, ki ga boste kosili, ali z njega, motor zaustavite in počakajte, da se rezilo zaustavi.
- Naprave nikoli ne uporabljajte, če so poškodovana varovala ali zaščitne, ali če varnostne naprave, na primer deflektorji in/ali zbiralnik za travo, niso nameščene.
- Ne nagibajte izdelka med zaganjanjem ali delovanjem motorja. Za lažji zagon je izjemno pomembno, da prednji del kosilnice dvignete za največ 5 cm. To storite tako, da krmilo potisnete navzdol. Pred začetkom košnje kosilnico pomaknite v začetni položaj tako, da so vsa štiri kolesa na tleh. Z nagibom kosilnice razkrijete rezilo ter s tem povečate možnost za izmet delcev in nenameren stik z rezilom.
- Previdno vklopite motor skladno z navodili in pazite, da se z rokami in nogami ne približate rezilom. Roke in stopala držite stran od vrtečih se delov.
- Nikoli ne dvigujte ali prenašajte izdelka med delovanjem motorja.
- Izdelek zaustavite ter izvlecite izolacijski ključ in odstranite akumulator. Prepričajte se, da so se vsi premikajoči se deli popolnoma zaustavili:
 - kadar pustite izdelek nenadzorovan (tudi kadar odstranjujete pokošeno travo).
 - pred čiščenjem blokade ali odmašitvijo izstresišča
 - pred preverjanjem in čiščenjem izdelka ali delom na njem,
 - preden odstranite škatlo za travo ali preden odprete pokrov praznilne cevi za travo
 - če zadenete ob tujek; preverite, ali se je naprava poškodovala, in popravite potrebno, preden napravo ponovno zaženete in uporabite,
 - če izdelek začne nenormalno vibrirati (preverite nemudoma).
 - Pregled za morebitne poškodbe, zlasti na rezilih
 - zamenjajte ali popravite vse poškodovane dele
 - preverite, ali so kateri koli deli zrahljani in jih privijte
- Izogibajte se luknjam, brazdam, izboklinam, kamnom ali ostalim skritim predmetom. Zaradi neravnega terena vam lahko spodrsne in lahko se poškodujete.
- Med montažo ali zlaganju ročice se vedno prepričajte, da kontrolni kabel motorja ni zavozlan, priščipnjen ali drugače poškodovan.

DODATNA VARNOSTNA OPOZORILA ZA BATERIJO

▲ OPOZORILO

V izogib, s kratkim stikom povzročene nevarnosti požara, poškodb ali okvar na proizvodu, orodja, izmenljivega akumulatorja ali polnilne naprave ne potaplajte v tekočine in poskrbite, da ne bo prihajalo do vdora tekočin v naprave in akumulatorje. Korozivne ali prevodne tekočine, kot so slana voda, določene kemikalije in belila ali proizvodi, ki le ta vsebujejo, lahko povzročijo kratek stik.

LASTNOSTI IZDELKA

PREOBREMENITVIJO IN Z ZAŠČITO PRED PREGREVANJEM

Izdelek ima napravo za prenapetostno zaščito. Ob zaznavanju preobremenitve se izdelek samodejno izklopi. Če je zaščita proti preobremenitvi sprožena, morate sprostiti gumb za vklop in izklop. Za ponovni zagon



izdelka pritisnite gumb za vklop in izklop.

Baterija ima zaščito proti pregrevanju. Prekomerne temperature bodo povzročile, da bo baterija orodje prenehalo napajati. Potipajte akumulator. Če je ta vroč, pred nadaljevanjem dela počakajte, da se ohladi. Če orodje še vedno ne deluje, je baterijo treba napolniti.

OPOMBA: Indikatorska lučka LED za baterijo ne deluje, če je zaščitna funkcija baterije povzročila prekinitev napajanja orodja. Sprostite gumb za vklop/izklop ali iz izdelka odstranite akumulator, pri čemer LED-lučka akumulatorja znova sveti kot običajno.

SPLOŠNI NAPOTKI PRI KOŠNJI

Čas delovanja baterije je odvisen od pogojev, dolžine in gostote trave.

Nastavite višino rezanja kosilnice, da bo ustrezala trenutnemu stanju trave, ki jo boste kosili.

Lastnosti trave	Predlagana nastavitve višine		Pokritost (največ)	
	Prva faza košnje	Naslednje faze košnje	Akumulator 4 Ah	Akumulator 5 Ah
Zelo tanka/suha	3	2	200 m ²	250 m ²
Tanka/suha	4	3 → 2	150 m ²	200 m ²
Srednja/gosta	5	4 → 3	100 m ²	150 m ²

* Akumulator: RB18L40

- Za čim boljše delovanje vedno odrežite tretjino celotne višine trave ali manj.
- Kadar kosite dolgo travo, hodite počasneje in s tem dovolite učinkovitejšo košnjo in ustrezen izmet odrezkov.
- Ne režite mokre trave, saj se bo prilepila na spodnji del plošče in odrezkov trave ne bo mogoče ustrezno zbirati ali jih izprazniti.
- Za košenje nove ali goste trave boste morda morali zvišati višino rezanja.
- Če želite zbirati travo, da jo kasneje odložite, odstranite nastavek za mulčenje in namestite lovilnik trave, pri čemer poskrbite, da je pokrov odprtine za izmet trave ustrezno zaprt. Redno izpraznjajte zbiralnik trave, sicer se bo praznilni žleb zamašil.
- Če kosite nizko travo in želite, da pokošena trava ostane na trati, namestite nastavek

za mulčenje in zaprite pokrov odprtine za izmet trave, da prekrijete odvajalno odprtino. V tem primeru lovilca trave ni treba namestiti.

- Izdelek je zasnovan tako, da najučinkoviteje kosi med premikanjem naprej.
- Višja višina rezanja podaljša čas delovanja baterije.

TRANSPORT IN SHRANJEVANJE

- Izdelek zaustavite ter izvalcite izolacijski ključ in odstranite akumulator. Prepričajte se, da so se vsi premikajoči se deli popolnoma zaustavili. Pred shranjevanjem ali prevozom izdelka z vozilom počakajte, da se ohladi.
- Očistite vse tujke z izdelka. Shranite jo na suhem in dobro prezračenem mestu, ki ni na dosegu otrok. Hranite proč od jedkih sredstev, kot so kemikalije za vrtnarjenje in soli za odmrzovanje. Ne shranjujte na prostem.
- Med prevozom z vozilom izvalcite izolacijski ključ in zavarujte izdelek pred premikanjem ali padcem, da preprečite poškodbe oseb, izdelka ali iztekanje goriva.

⚠ OPOZORILO

Pri dviganju ali nagibanju izdelka za vzdrževanje, čiščenje, shranjevanje ali prevoz bodite izjemno previdni, saj je rezilo ostro, zato morate paziti, da z nobenim delom telesa ne pridete v stik z rezilom, ko je ta izpostavljen.

PRENAŠANJE LITIJEVIH BATERIJ

Baterije prevažajte v skladu z lokalnimi in državnimi uredbami in predpisi.

Upoštevajte vse posebne zahteve glede pakiranja in označevanja, kadar prevoz opravlja tretja oseba. Zagotovite, da baterije med prevozom ne morejo priti v stik z drugimi baterijami ali prevodnimi materiali tako, da zaščitite izpostavljene konektorje z izolacijo, neprevodnimi pokrovčki ali trakom. Ne prevažajte poškodovanih baterij oz. baterij, ki puščajo. Za nadaljnje informacije se obrnite na posredovalno podjetje.

VZDRŽEVANJE

⚠ OPOZORILO

Uporabljajte le originalne rezervne dele in dodatke, ki jih priporoča proizvajalec. V nasprotnem primeru naprava lahko slabo deluje, povzroči poškodbe, garancija pa ne velja več.

⚠ OPOZORILO

Servisiranje zahteva posebno pozornost in znanje in naj jo zato opravlja samo izurjeni servisni tehnik. Izdelek naj servisirajo izključno v pooblaščenem servisnem centru. Pri servisiranju uporabljajte samo originalne nadomestne dele.

- Izdelek zaustavite ter izvlecite izolacijski ključ in odstranite akumulator. Pred čiščenjem ali vzdrževanjem se prepričajte, da so vsi premični deli zaustavljeni.
- Opravite lahko tukaj navedene prilagoditve ali popravila. Za druga popravila ali nasvete se posvetujte s pooblaščenim storitvenim centrom.
- Obrabljene ali poškodovane dele zaradi varnosti redno menjajte.
- Pogosto preverjajte lovilnik trave zaradi morebitne obrabe ali poslabšanja stanja.
- Po vsaki uporabi izdelek očistite z mehko in suho krpo. Vsak poškodovani del mora ustrezno popraviti ali zamenjati pooblaščen servisni center.
- Pogosto preverjajte, ali so vse matice in vijaki dobro priviti in tako zagotovite varno delovno stanje izdelka.
- Med prilagajanjem naprave bodite previdni, da se s prsti ne ujamate med vrtljiva rezila in pritrjenimi deli naprave.
- Med servisiranjem rezil upoštevajte, da se lahko rezila premikajo, kljub temu da je naprava izključena.
- Rezilo na izdelku je ostro. Bodite previdni in nosite močne zaščitne rokavice, kadar nameščate, menjate, čistite ali preverjate pritrditve elementov na izdelku.
- Obrabljena ali poškodovana rezila in vijake zamenjajte v kompletih, da ohranite uravnoteženost naprave.
- Vse vijake rezila morate enakomerno

priviti. **Za navor vijakov rezila glejte priporočila proizvajalca, ki so navedena v preglednici s tehničnimi podatki izdelka v tem priročniku.**

ODPRAVLJANJE ZAMAŠITVE

- Izdelek zaustavite ter izvlecite izolacijski ključ in odstranite akumulator. Prepričajte se, da so se vsi premikajoči se deli popolnoma zaustavili.
- Ko pregledujete in odpravljate zamašitev, vedno uporabljajte odporne zaščitne rokavice.
- Rezila so ostra in tudi blokado lahko povzročijo oster predmet.
- Odstranite lovilnik trave, preverite, ali je prisotna blokada, in morebitne blokade odstranite.
- Preverite, ali so v iztresišču prisotne blokade in jih previdno odstranite.
- Izdelek obrnite na bok, preverite njegovo podvozje in področje okoli rezila. Če najdete blokade, jih previdno odstranite. Ne pozabite, da se lahko rezilo med čiščenjem premakne.

REZIDUALNA TVEGANJA

Tudi če izdelek uporabljate tako, kot je predpisano, še vedno ne moremo izključiti določenih preostalih dejavnikov tveganja. Med uporabo se lahko pojavijo naslednje nevarnosti, upravljavec pa naj bo pozoren na naslednje:

- Poškodbe zaradi vibracij
 - Pri delu vedno uporabljajte ustrezno orodje. Uporabite ustrezne ročaje in omejite delovni čas in izpostavljenost.
- Poškodbe, ki jih povzročijo hrup
 - Izpostavljenost hrupu lahko povzroči poškodbo sluha. Nosite zaščito za sluh in omejite izpostavljenost.
- Poškodbe zaradi stika z rezili
- Poškodba, ki jo povzročijo leteči predmeti

ZMANJŠANJE TVEGANJA

Ugotovljeno je bilo, da lahko pri nekaterih posameznikih vibracije ročnih orodij povzročijo Raynaudov sindrom. Simptomi so lahko mravljinca, otrplost in pobledele prsti, kar je običajno vidno, kadar je oseba izpostavljena mrazu. Dedni dejavniki, izpostavljenost mrazu

in vlagi, dieta, kajenje in delovne navade naj bi pripomogle k razvoju teh simptomov. Za zmanjšanje učinkov vibracij lahko upravljavec upošteva naslednja navodila:

- Poskrbite, da bo vaše telo na mrazu toplo. Med upravljanjem nosite rokavice in tako ohranjajte toploto vaših dlani in zapestij. Kot poročajo, je mraz glavni dejavnik, ki prispeva k Raynaudovemu sindromu.
- Po vsakem obdobju upravljanja naprave telovadite in tako pospešite krvni obtok.
- Pogosto si vzemite odmor. Omejite dnevno količino izpostavljenosti.

Če zaznavate kakršne koli simptome takšnega stanja, takoj prenehajte z uporabo naprave in se o simptomih posvetujte z zdravnikom.

⚠ OPOZORILO

Daljša uporaba orodja lahko privede do poškodb ali pa so poškodbe lahko hujše. Kadar orodje uporabljate dalj časa, si večkrat vzemite odmor.

SPOZNAJTE SVOJ IZDELEK
Glejte stran 193

Deli

1. Ročaj
2. Gumb za vklop/izklop
3. Gumb Start
4. Kabel za nadzor motorja
5. Držalo kabla za nadzor motorja
6. Vrata baterije
7. Gumb na ročaju
8. Kazalnik za poln zbiralnik trave
9. Zbiralnik
10. Pokrov odprtine za izmet trave
11. Zaklep krmila
12. Zadnje kolo
13. Ročica za prilagoditev višine
14. Sprednje kolo
15. Izolacijski ključ
16. Akumulator
17. Polnilec
18. Drobilni nastavek

SIMBOLI NA IZDELKU



Pred uporabo izdelka morate prebrati in razumeti vsa navodila, upoštevati vsa opozorila in varnostne napotke.



Nosite zaščito za ušesa



Nosite zaščito za oči



Ne uporabljajte je na pobočjih z naklonom, večjim od 15°. Vedno kosite prečno po pobočjih, nikoli gor in dol.



Ne izpostavljajte ga dežju ali vlagi.



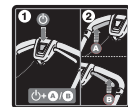
Pazite na ostra rezila. Rezila se po izklopu motorja še vrtijo – Odstranite izolacijski ključ pred vzdrževanjem.



Pazite na izvržene ali leteče predmete. Prisotni (še posebej otroci in živali) naj bodo med obratovanjem oddaljeni vsaj 15 m od delovnega območja.



Krmilo ima tri nastavitve višine. Prepričajte se, da sta cevi pravilno vstavljeni, zlasti v najvišji točki. Če krmilo ni pravilno vstavljeno in zaklenjeno, se lahko iztakne iz odprtin.



Pritisnite gumb start in nato gumb za vklop/izklop (A ali B) za zagon izdelka. Spustite gumb Start in še naprej gumb za vklop/izklop pritisnjen, da izdelek deluje. Spustite gumb za vkl./izkl. za zaustavitev izdelka.



Poženi



Ustavi



Prosimo, da si pred zagonom naprave pozorno preberete navodila.



Odpadne električne izdelke odlagajte skupaj z ostalimi gospodinjskimi odpadki. Reciklažo opravljajte na predpisanih mestih. Za reciklažni nasvet se obrnite na lokalne oblasti.



Ustreza vsem predpisanim standardom v državi članici EU, kjer je bil kupljen izdelek.



EurAsian oznaka o skladnosti



Ukrajinska oznaka za skladnost



Zajamčena raven zvočne moči na tej oznaki je 96 dB.



Opomba



Opozorilo

Naslednje besedne oznake in njihovi pomeni služijo za razlago stopnje tveganja pri uporabi izdelka.

NEVARNOST

Označuje neizbežno tvegano stanje, ki če se ji ne izognete lahko povzroči smrt ali resno poškodbo.

OPOZORILO

Označuje morebitno tvegano stanje, ki če se ji ne izognete lahko povzroči smrt ali resno poškodbo.

POZOR

Označuje morebitno tvegano stanje, ki če se mu ne izognete lahko povzroči manjšo ali srednje resno poškodbo.

POZOR

(Brez simbola Varnostni alarm) Označuje stanje, ki lahko privede do poškodovanja lastnine.

SIMBOLI V TEM PRIROČNIKU



Deli ali dodatki so na prodaj ločeno



Na dosiahnutie jednoduchej obsluhy a prevádzky boli pri navrhovaní tohto akumulátorová kosačka najvyššou prioritou bezpečnosť, výkon a spoľahlivosť.

ÚČEL POUŽITIA

Akumulátorová kosačka na trávnu je určená len na vonkajšie použitie.

Tento produkt je určený na domáce kosenie trávnikov. Rezné ostrie by sa malo otáčať približne rovnobežne so zemou, nad ktorou sa pohybuje. Pri kosení sa musia všetky štyri kolesá dotýkať zeme. Je to kosačka riadená pri chôdzi za produktom a určená na ručné tlačenie.

Produkt sa nikdy nesmie obsluhovať, keď kolieska nie sú na zemi. Nesmie byť ťahaná ani sa nesmie na nej jazdiť. Nesmie sa používať na strihanie iných ako domácich trávnikov.

Nepoužívajte na žiadne iné účely.

VŠEOBECNÉ BEZPEČNOSTNÉ VÝSTRAHY

⚠ VAROVANIE

Pri používaní tohto produktu sa musia dodržiavať bezpečnostné zásady. Pre vašu vlastnú bezpečnosť a bezpečnosť okolostojacich osôb si pred použitím produktu prečítajte tento návod. Odložte si tento návod na neskoršie použitie.

⚠ VAROVANIE

Používajte tento výrobok iba so súpravami batérií, ktoré sú uvedené v tomto návode. Pri používaní akumulátorového nástroja je potrebné dodržiavať základné bezpečnostné opatrenia, aby sa znížilo riziko vzniku požiaru, vytečenia akumulátorov a osobného poranenia.

OSOBNÁ BEZPEČNOSŤ

- Tento výrobok dokáže amputovať ruky alebo nohy a odhadzovať predmety. Pochybenie pri dodržiavaní bezpečnostných pokynov tak môže spôsobiť vážny úraz alebo usmrtenie.
- Oboznámte sa s ovládacími prvkami a správnou obsluhou produktu.
- Nikdy nedovoľte deťom alebo osobám so

zníženými fyzickými, duševnými alebo zmyslovými schopnosťami alebo osobám, ktoré nie sú oboznámené s týmto návodom, obsluhovať, čistiť alebo vykonávať údržbu tohto produktu. Miestne platné predpisy môžu obmedzovať dobu použitia kosačky. Deti musia byť pod primeraným dozorom, aby sa nemohli s produktom hrať.

- Pri práci so zariadením buďte ostražití, sledujte, čo robíte a používajte zdravý rozum. Nepoužívajte tento produkt, keď ste unavení, chorí alebo pod vplyvom, alkoholu, drog alebo liekov. Po oddelení akumulátora od kosačky zapojte konektor nabíjačky do zásuvky na akumulátore.
- Používajte hrubé dlhé nohavice, odev s dlhými rukávami a masívnu nešmykľavú obuv. Nenoste krátke nohavice a sandály ani nechodte naboso. Nenoste odev, ktorý je voľný alebo má voľne visiace šnúrky či pútko.
- Vždy noste bezpečnostné okuliare s bočným ochranným štítom.
- Vždy dbajte na pevnú oporu nôh, najmä na svahoch. Udržujte bezpečný postoj a rovnováhu. Chodte krokom, nikdy nebežte.
- Produkt požívajte na svahoch krížom, nikdy nie nahor a nadol. Ak meníte smer, buďte veľmi opatrní.
- Produkt nepoužívajte v blízkosti prudkých svahov, priekop, veľmi strmých svahov alebo násypov. Nedostatočne stabilný postoj môže byť príčinou uklznutia a pádu.

PRACOVNÝ PRIESTOR

- Nikdy nepoužívajte produkt, keď sú v blízkosti do 15 m osoby, najmä deti alebo domáce zvieratá, z dôvodu nebezpečenstva vymrštenia objektov pri kontakte s čepeľou.
- Predmety vymrštené nožom kosačky môžu spôsobiť veľmi vážne poranenia osôb. Dôkladne skontrolujte priestor, kde sa má zariadenie používať a odstráňte všetky kamene, paličky, kov, drôty, kosti, hračky a iné cudzie predmety. Myslite na to, že do rezných zariadení sa môžu zamotať vodiče alebo vlákna.
- Produkt používajte len na dennom svetle alebo pri dostatočnom umelom osvetlení.
- Nepracujte so zariadením vo výbušných atmosférach, napríklad v blízkosti zápalných tekutín, plynov alebo prachu.





- Zariadenie môže vytvárať iskry, ktoré môžu podpáliť takýto prach alebo výpary.
- Nepracujte so zariadením na mokrej tráve alebo v daždi.
 - Nepoužívajte produkt, keď hrozí riziko blesku.
 - Užívateľ alebo obsluha stroja sú zodpovední za nehody alebo škody na majetku a za nebezpečenstvo vzniknuté pri prevádzke stroja.
 - Tragické nehody môžu nastať ak nie je obsluha upozornená na prítomnosť detí. Deti sú často zaujaté strojom a kosením. Nikdy sa nespoliehajte na to, že deti ostanú tam, kde ste ich naposledy videli.
 - Deťom zabráňte v prístupe na plochu kosenia a zabezpečte, aby na ne dávala pozor zodpovedná dospelá osoba, nie obsluha, ktorá upozorní na nutnosť vypnutia výrobku, ak dieťa vstúpi na plochu.
 - Maximálny pozor dávajte pri približovaní k slepým rohom, krikom, stromom či iným predmetom s prevyšujúcimi vetvami, ktoré môžu brániť vášmu výhľadu.

POUŽÍVANIE AKUMULÁTORA A STAROSTLIVOSŤ OŇ

- Prečítajte si s porozumením a striktné dodržiavajte bezpečnostné pokyny, ktoré sú pribalené k akumulátoru a nabíjačke. V opačnom prípade môže dôjsť k zásahu elektrickým prúdom, požiaru alebo nebezpečným situáciám. Všetky pokyny odložte spoločne na bezpečné miesto pre prípad potreby v budúcnosti.
- Akumulátorové nástroje nemusia byť zapojené do elektrickej siete, preto sú neustále v prevádzkovom stave. Vždy, keď produkt nepoužívate, odstráňte odpojovací kľúč.
- Keď vykonávate úpravy, čistíte alebo odstraňujete materiál, vyberte jednotku akumulátora z jednotky.
- Pred vložením jednotky akumulátora skontrolujte, či je rozpojovací kľúč vybratý.
- Jednotku akumulátora možno nabíjať len pomocou nabíjačky špecifikovanej výrobcom. Pri použití nabíjačky s nekompatibilnou jednotkou akumulátora vzniká nebezpečenstvo požiaru. Jednotku akumulátora používajte len s uvedenou nabíjačkou.

- Používajte len jednotku akumulátora určenú konkrétne pre toto zariadenie. Pri použití akýchkoľvek iných jednotiek akumulátorov vzniká riziko požiaru, úderu elektrickým prúdom alebo poranenia osôb.
- **Keď sa jednotka akumulátora nepoužíva, nedávajte ju do blízkosti iných kovových objektov, ako sú papierové sponky, mince, kľúče, klince, skrutky či iné malé kovové predmety, ktoré by mohli skratovať svorky.** Pri skratovaní svoriek akumulátora môže dôjsť k iskreniu, popáleninám, požiaru alebo explózií.
- Nedávajte akumulátorové zariadenia ani ich akumulátory do blízkosti ohňa alebo tepla. To zvyšuje riziko explózie a možného poranenia.
- Jednotku akumulátora neotvárajte ani nedeformujte. Vytečený elektrolyt je leptavý a môže spôsobiť poškodenie očí alebo pokožky. Pri požití môže byť toxický.
- Jednotku akumulátora chráňte pred vlhkosťou a vodou. Zariadenie nenabíjajte vo vlhkom alebo mokrom prostredí. Dodržiavaním tohto pravidla sa zníži riziko úrazu elektrickým prúdom.
- Pri poškodení a nesprávnom používaní akumulátora môže dôjsť k unikaniu výparov. V prípade komplikácií zabezpečte čerstvý vzduch a vyhľadajte lekársku pomoc. Výpary môžu spôsobiť podráždenie dýchacích ciest.
- Nenechávajte akumulátorovú jednotku vo vozidle pri vysokých alebo nízkych teplotách.
- Akumulátor nespájajte.
- Za nevhodných podmienok, keď by z batérie vytekala kvapalina, predchádzajte kontaktu s ňou. Pri náhodnom kontakte opláchnite vodou. Ak tekutina zasiahne oči, dodatočne vyhľadajte lekársku pomoc. Tekutina vytečená z akumulátora môže spôsobiť podráždenie alebo popáleniny.

KOSAČKA TRÁVNÍKA – BEZPEČNOSTNÉ VÝSTRAHY

- Pred použitím vždy vizuálne skontrolujte, či ostria, maticové skrutky ostria a strihacia jednotka nie sú opotrebované alebo poškodené.
- Opotrebované alebo poškodené ostria a





maticové skrutky vymieňajte v súpravách, aby sa zachovalo vyváženie.

- Čepeľ na tomto produkte je ostrá. Pri montáži, výmene, čistení alebo kontrole zaistenia maticových skrutiek buďte opatrní a používajte pevné rukavice.
- Prineste produkt to autorizovaného servisného centra na výmenu poškodených alebo nečitateľných štítkov.
- Skontrolujte všetky skrutky, matice v častých intervaloch či sú riadne utiahnuté, aby sa zaistila bezpečná prevádzka stroja.
- Často kontrolujte zberač trávy, či nie je opotrebovaný, prederavený alebo poškodený.
- Pred použitím produktu vymeňte všetky opotrebované alebo poškodené diely.
- Produkt sa musí štartovať tak, aby užívateľ stál sa riadidlami v bezpečnej zóne obsluhy. Produkt nikdy neštartujte, ak:
 - všetky štyri kolieska nie sú na zemi,
 - Žľab na vyprázdňovanie trávy je odhalený a nie je chránený košom na trávu a krytom žľabu na vyprázdňovanie trávy.
 - ruky a nohy všetkých osôb nie sú mimo rezného krytu,
- Produkt nikdy nepoužívajte, ak hlavný spínač na riadidlách nespúšťa a nezastavuje produkt správne.
- Nikdy sa nepokúšajte zaistiť spínače v zapnutej polohe – je to mimoriadne nebezpečné.
- Na nástroj nevyvíjajte silu. Svoju úlohu splní lepšie a bezpečnejšie, keď s ním budete pracovať pri rýchlosti, pre ktorú je určený.
- Keď prechádzate povrchy so štrkom, zastavte ostrie.
- Produktu neťahajte dozadu, pokiaľ to nie je absolútne nevyhnutné. Ak musíte odtrhnúť zariadenie od steny alebo prekážky, najskôr sa pozrite dole a za seba, aby nedošlo k prevráteniu alebo potiahnutiu zariadenia po vašich nohách.
- Zastavte motor a počkajte, kým sa ostria nezastavia, ak je potrebné kosačku nakloniť pri prechode cez iné ako trávnaté povrchy a pri prevoze zariadenia na miesto kosenia a z neho.
- S nástrojom nikdy nepracujte, keď má poškodené vodiace lišty alebo kryty alebo nemá nasadené bezpečnostné zariadenia, napríklad odchyľovače alebo zberač trávy.
- Výrob pri zapínaní motora alebo kým motor beží nenakláňajte. V prípade nutnosti môžete zdvihnúť prednú časť kosačky maximálne o 5 cm, aby ste umožnili jednoduchšie štartovanie. Aby ste to dosiahli, zatlačte na riadidlá. Pred kosením vždy vráťte kosačku do jej normálnej polohy so všetkými kolesami na zemi. Nakláňaním kosačky sa odkrýva nôž a zvyšuje sa pravdepodobnosť vymrštenia predmetov a náhodného kontaktu s ostrým nožom.
- Opatrne zapnite motor podľa predpisov a udržiajte ruky aj nohy mimo nožov. Nedávajte ruky alebo nohy do blízkosti rotujúcich dielov ani pod ne.
- Produkt nikdy nedvíhajte ani neprenášajte, keď motor beží.
- Zastavte výrobok, vyberte odpojovací kľúč a batériu. Skontrolujte, či sa všetky pohyblivé diely úplne zastavili:
 - vždy, keď necháte produkt bez dozoru (aj pri likvidácii odrezkov trávy).
 - pred odstránením zablokovania či uvoľnením zaneseného žľabu na vyprázdňovanie
 - pred kontrolou, čistením alebo prácou na zariadení
 - pred odpojením skrinky na trávu alebo otvorením krytu vyprázdňovacieho žľabu trávy
 - po zásahu cudzím predmetom – pred opätovným spustením a použitím zariadenia skontrolujte, či zariadenie nie je poškodené a v prípade potreby vykonajte opravy.
 - ak zariadenie začne neštandardne vibrovať (ihneď skontrolujte)
 - skontrolujte poškodenie, najmä na čepeliach,
 - všetky poškodené diely vymeňte alebo opravte
 - skontrolujte a utiahnite prípadne uvoľnené diely
- Vyhýbajte sa dieram, vyjazdeným koľajám, vyvýšeninám, kameňom, alebo iným skrytým predmetom. Nerovný terén môže byť príčinou pokľznutia a pádu.
- Vždy dbajte na to, aby pri montáži alebo pri skladaní rukoväte nedošlo k zachyteniu,

EN
FR
DE
ES
IT
NL
PT
DA
SV
FI
NO
RU
CS
PL
HU
RO
LV
LT
ET
HR
SL
SK
BG
UK
TR



zovretiu či inému poškodeniu riadiaceho kábla motora.

DOPLNKOVÉ BEZPEČNOSTNÉ VÝSTRAHY PRE BATÉRIU

⚠ VARIOVANIE

Aby ste zabránili nebezpečenstvu požiaru spôsobeného skratom, poraneniam alebo poškodeniam výrobku, neponárajte náradie, výmennú batériu alebo nabíjačku do kvapalín a postarajte sa o to, aby do zariadení a akumulátorov nevnikli žiadne tekutiny. Korodujúce alebo vodivé kvapaliny, ako je slaná voda, určité chemikálie a bieliace prostriedky alebo výrobky, ktoré obsahujú bielicidlo, môžu spôsobiť skrat.

VLASTNOSTI VÝROBKU

PREŤAŽENIU A OCHRANA PROTI PREHRIATIU

Výrobok má ochranné zariadenie proti preťaženiu. Pri zistení preťaženia sa výrobok automaticky vypne. Pri aktivovaní ochrany proti preťaženiu je potrebné uvoľniť hlavný spínač. Stlačením hlavného spínača znova spustíte produkt.

Jednotka akumulátora má ochranu pred prehriatím. Nadmerné teploty spôsobia, že akumulátor prestane napájať nástroj. Ohmatajte súpravu batérií. Ak je príliš horúca, nechajte ju vychladnúť pred opätovným uvedením do prevádzky. Ak nástroj napriek tomu nefunguje, dobite akumulátor.

POZNÁMKA: Indikátor LED jednotky akumulátora nebude fungovať, pokiaľ funkcia ochrany akumulátora spôsobila prerušenia napájania nástroja z jednotky akumulátora. Vypnite tlačidlo on-off (zapnúť-vypnúť) alebo vyberte súpravu batérií z výrobku a LED indikátor stavu súpravy batérií obnoví normálnu funkciu.

VŠEOBECNÉ POKYNY NA KOSENIE TRÁVY

Výdrž akumulátora závisí od stavu, dĺžky a hustoty trávy.

Nastavte výšku rezania kosačky podľa stavu koseného trávniku.

Stav trávy	Navrhované nastavenie výšky		Pokrytie (maximálne)	
	Prvý prechod	Následné prechody	4 Ah akumulátor	5 Ah akumulátor
Veľmi tenká / suchá	3	2	200 m ²	250 m ²
Tenká / suchá	4	3 → 2	150 m ²	200 m ²
Stredná / hustá	5	4 → 3	100 m ²	150 m ²

* Batéria: RB18L40

- Najlepší výkon dosiahnete, keď vždy odstrihnete maximálne jednu tretinu celkovej výšky trávy.
- Ak kosíte vysokú trávu, znížte rýchlosť chôdze pre zefektívnenie kosenia a správne vysypávanie odrezkov.
- Nekoste mokrú trávu – bude sa lepiť k spodnej časti dosky a brániť správne zberu alebo vyhadzovaniu odstrižkov trávy.
- Nová alebo hustá tráva môže vyžadovať vyššiu reznú výšku.
- Ak chcete zhromažďovať nasekané zvyšky trávy na účel likvidácie, vyberte mulčovaciu záslepku a namontujte lapač trávy, pričom vyprázdňovací žľab trávy musí byť správne zakrytý. Skrinku na trávu pravidelne vyprázdňujte, inak sa vyprázdňovací žľab upchá odrezkami trávy.
- Ak vykonávate slabé kosenie a chcete, aby tráva zostala na trávniku, nainštalujte mulčovaciu záslepku a zavretím krytu vyprázdňovacieho žľabu trávy zavrite vyprázdňovací otvor. V tomto prípade nie je nutné inštalovať zásobník na trávu.
- Tento výrobok je navrhnutý na najúčinnejšiu prevádzku a kosenie pri pohybe dopredu.
- Väčšia výška strihania predĺži výdrž akumulátora.

PREPRAVA A SKLADOVANIE

- Zastavte výrobok, vyberte odpojovací kľúč a batériu. Skontrolujte, či sa všetky pohyblivé diely úplne zastavili. Pred uskladnením alebo prepravou vo vozidle nechajte výrobok vychladnúť.
- Odstráňte zo zariadenia všetky cudzie materiály. Odložte ho na suché a dobre vetrané miesto, na ktoré nemajú prístup deti. Náradie neuskladňujte v blízkosti žieravých látok, ako napríklad v blízkosti

záhradníckych chemických prípravkov alebo solí na zimný posyp komunikácií. Neskladujte v exteriéri.

- Pri preprave na vozidle je potrebné vybrať odpojovací kľúč, zaistiť výrobok proti pohybu alebo pádu, aby sa zabránilo poraneniu osôb alebo poškodeniu výrobku.

⚠ VAROVANIE

Buďte mimoriadne opatrní pri zdvíhaní alebo sklápaní výrobku pri údržbe, čistení, skladovaní alebo preprave, nôž je ostrý, udržiavajte všetky časti tela mimo noža, kým je nezakrytý.

PREPRAVA LÍTOVÝCH AKUMULÁTOROV

Akumulátory prepravujte v súlade s miestnymi smernicami a nariadeniami.

Keď akumulátory prepravuje tretia strana, dodržiavajte všetky požiadavky na balení a označení. Zabezpečte, aby počas prepravy akumulátory neprišli do kontaktu s inými akumulátormi ani vodivými materiálmi – chráňte obnažené konektory pomocou izolácie, nevodivými viečkami alebo páskou. Neprepravujte akumulátory, ktoré sú prasknuté alebo vytekajú. Ďalšie pokyny zistíte u nasledujúcej spoločnosti.

ÚDRŽBA

⚠ VAROVANIE

Používajte len originálne náhradné diely, príslušenstvo a nástavce výrobcu. V opačnom prípade môže dôjsť k možnému poraneniu, nedostatočnému výkonu a strate platnosti záruky.

⚠ VAROVANIE

Údržba vyžaduje extrémnu starostlivosť a znalosti, a musí byť prevádzaná výhradne v autorizovanom servise. Servis výrobku zverte len autorizovanému servisnému stredisku. Pri servise používajte len originálne náhradné diely výrobcu.

- Zastavte výrobok, vyberte odpojovací kľúč a batériu. Pred akýmkoľvek čistením alebo vykonávaním údržby sa ubezpečte, že sa všetky pohyblivé časti úplne zastavili.
- Môžete vykonávať úpravy a opravy

popísané tu. Pri ostatných opravách alebo ak potrebujete radu, vyhľadajte pomoc v autorizovanom servisnom centre.

- Z bezpečnostných dôvodov vymeňte všetky opotrebené alebo poškodené diely.
- Pravidelne a často kontrolujte zachytávač trávy či nie je opotrebovaný alebo poškodený.
- Po každom použití vyčistite produkt mäkkou suchou tkaninou. Akýkoľvek poškodený diel sa musí náležite opraviť alebo vymeniť v autorizovanom servisnom centre.
- Skontrolujte všetky skrutky, matice v častých intervaloch či sú riadne utiahnuté, aby sa zaistila bezpečná prevádzka produktu.
- Pri nastavovaní nástroja buďte opatrní, aby nedošlo k zachyteniu prstov medzi pohybujúce sa ostria a pevné diely nástroja.
- Pri vykonávaní servisu ostri dávajte pozor, lebo aj keď je napájanie vypnuté, ostria sa napriek tomu môžu pohybovať.
- Čepeľ na tomto produkte je ostrá. Pri montáži, výmene, čistení alebo kontrole zaistenia maticových skrutiek buďte opatrní a používajte pevné rukavice.
- Opotrebované alebo poškodené ostria a maticové skrutky vymieňajte v súpravách, aby sa zachovalo vyváženie.
- Skrutky nožov musí byť dostatočne utiahnuté. **Prečítajte si odporúčanie výrobcu na krútiaci moment skrutky noža, ktorý nájdete v tabuľke špecifikácií výrobku v tomto návode.**

ODSTRÁNENIE UPCHATIA

- Zastavte výrobok, vyberte odpojovací kľúč a batériu. Skontrolujte, či sa všetky pohyblivé diely úplne zastavili.
- Pri kontrole a čistení zablokovania vždy používajte pevné ochranné rukavice.
- Čepele sú ostré a predmet zablokovania môže byť ostrý.
- Vyberte zberný kôš, skontrolujte a opatrne odstráňte upchatie.
- Skontrolujte, či nie je žľab na vyprázdňovanie trávy upchatý a opatrne ho vyčistite.
- Otočte výrobok nabok, skontrolujte ho zo spodku a oblasť okolo noža. Ak nájdete nejaké upchatie, opatrne ho odstráňte.

Nezabúdajte, že nože sa môžu počas čistenia pohnúť.

ZVÝŠKOVÉ RIZIKÁ

Aj keď sa nástroj používa podľa predpisu, nie je možné eliminovať určité zvyškové rizikové faktory. Pri použití vznikajú nasledujúce riziká a obsluhujúca osoba musí venovať zvláštnu pozornosť, aby nedošlo k nasledovnému:

- Zranenie spôsobené vibráciami
 - Vždy používajte správny nástroj pre danú úlohu. Používajte určené rukoväte a obmedzte pracovný čas a mieru rizika.
- Zranenie spôsobené hlukom
 - Vystavovanie hluku môže spôsobiť poranenie sluchu. Používajte ochranu sluchu a obmedzte expozíciu.
- zranenie pri kontakte s čepeľami,
- Poranenia spôsobené odhadzovanými predmetmi

OBMEDZENIE RIZIKA

Boli hlásené prípady, kedy vibrácie z ručných nástrojov u niektorých osôb prispeli k stavu nazývanému Raynaudov syndróm. K symptómom patria: trpnutie, znecitlivenie a blednutie prstov, zvyčajne zjavné po vystavení zime. Je známe, že k vývoju týchto symptómov prispievajú: dedičné faktory, vystavovanie zime a vlhkosti, diéta, fajčenie a pracovné návyky. Opatrenia, ktoré môže vykonať obsluhujúca osoba na možné zníženie účinkov vibrácií:

- V studenom počasí udržiavajte svoje telo v teple. Pri práci s produktom noste rukavice, aby ste mali ruky a zápästia v teple. Boli hlásené prípady, kedy hlavným faktorom prispievajúcim k Raynaudovmu syndrómu bolo studené počasie.
- Po každom určitom časovom úseku prevádzky cvičte, aby ste zlepšili krvný obeh.
- Počas práce si doprajte časté prestávky. Obmedzte počet vystavení za deň.

Ak zistíte ktorýkoľvek zo symptómov tohto stavu, okamžite prerušte používanie zariadenia, navštívte svojho lekára a povedzte mu o symptómoch.

VAROVANIE

Pri dlhodobom alebo zvýšenom používaní môže dôjsť k zraneniam. Pri používaní nástroja príliš dlhé obdobia si vždy doprajte pravidelné prestávky.

OBOZNÁMTE SA S VAŠÍM PRODUKTOM

Pozrite stranu 193.

Diely

1. Rúčka
2. Hlavný spínač
3. Spúšťacie tlačidlo
4. Ovládací kábel motora
5. Pridržiavač ovládacieho kábla motora
6. Dvierka priečinka na akumulátor
7. Tlačidlo rukoväte
8. Indikátor plnej skrinky na trávu
9. Zberač trávy
10. Kryt vyprázdňovacieho žľabu trávy
11. Záмок rukoväti
12. Zadné koleso
13. Páka nastavenia výšky
14. Predné koleso
15. Rozpojovací kľúč
16. Batéria
17. Nabíjačka
18. Mulčovacia prípojka

SYMBOLY NA PRODUKTE



Pred použitím produktu si s porozumením prečítajte všetky pokyny a dodržiavajte výstražné a bezpečnostné upozornenia.



Používajte chrániče sluchu



Používajte chrániče zraku



Nepracujte na svahoch strmších ako 15°. Na strmých svahoch koste po vrstevniciach, nikdy nie hore a dolu svahom.



Nevystavujte dažďu ani nepoužívajte vo vlhkom prostredí.



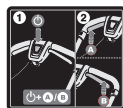
Pozor na ostré ostria. Čepele sa naďalej točia aj po vypnutí motora – pred údržbou odstráňte rozpojovací kľúč.



Pozor na vymrštené alebo odletujúce objekty. Všetky okolostojace osoby (najmä deti a domáce zvieratá) musia stáť minimálne 15 m od miesta práce



Rukoväť má 3 úrovne nastavenia výšky. Skontrolujte a ubezpečte sa, že všetky rúrky sú správne vložené, obzvlášť tie, čo sú najvyššie. Rukoväť by mohla vyklízuť z otvorov, ak by nebola správne vložená a zaistená.



Produkt spustíte stlačením odomykacieho tlačidla a potom hlavného spínača (A or B). Produkt spustíte uvoľnením tlačidla Start a stlačením a podržaním hlavného spínača. Uvoľnením hlavného vypínača zastavíte produkt.



Štart



Stop



Pred zapnutím zariadenia si prosím prečítajte inštrukcie.



Opatrebované elektrické zariadenia by ste nemali odhadzovať do domového odpadu. Prosíme o recykláciu ak je možné. Kontaktujte miestne úrady, alebo predajcu pre viac informácií ohľadom ekologického spracovania.



Vyhovuje všetkým regulačným normám v krajine EÚ, v ktorej bol výrobok zakúpený.



Euroázijská značka zhody



Ukrajinské označenie zhody



Garantovaná hladina akustického výkonu, uvedená na tomto štítku, je 96 dB.

Nasledujúce signálne slová a významy slúžia na vysvetlenie úrovni rizika súvisiacich s produktom:

⚠ NEBEZPEČENSTVO

Označuje bezprostredne nebezpečnú situáciu, ktorá môže vyústiť v smrť, alebo vážne zranenie.

⚠ VAROVANIE

Označuje potenciálne nebezpečnú situáciu, ktorá môže vyústiť v smrť, alebo vážne zranenie.

⚠ VÝSTRAHA

Označuje potenciálne nebezpečnú situáciu, ktorá môže vyústiť v ľahké, alebo stredne ťažké zranenie.

VÝSTRAHA

(Bez výstražnej značky s výkričníkom)
Označuje situáciu, ktorá môže zapríčiniť škody na majetku.

SYMBOLY V TOMTO NÁVODE



Diely alebo príslušenstvo predávané samostatne



Poznámka



Varovanie

Безопасността, производителността и надеждността са аспектите, на които е отделен най-голям приоритет при проектирането на вашия вашия Безжична косачка.

ПРЕДНАЗНАЧЕНИЕ

Безкабелната косачка за трева е предназначена за използване само на открито.

Този продукт е предназначен за косене на домашни тревни площи. Режещото острие трябва да се върти приблизително паралелно на земната повърхност, над която преминава. И четирите колела трябва да се докосват до земята при косене. Това е косачка, предназначена за управление от ходещ оператор, който я бутва отзад с ръце.

Никога не трябва да се работи с продукта, ако колелата му не са в контакт със земната повърхност. Не трябва да я теглите или да се возите на нея. Не трябва да се използва за рязане на друго освен домашни тревни площи.

Не го използвайте за никакви други цели.

ОБЩИ ПРЕДУПРЕЖДЕНИЯ ЗА БЕЗОПАСНОСТ

⚠ ПРЕДУПРЕЖДЕНИЕ

При използване на продукта трябва да се спазват правилата за безопасност. За осигуряване на вашата безопасност и тази на страничните наблюдатели прочетете тези инструкции, преди да работите с продукта. Съхранявайте ръководството за експлоатация на сигурно място, за да можете да го ползвате и по-късно.

⚠ ПРЕДУПРЕЖДЕНИЕ

Използвайте продукта само с акумулаторните батерии, посочени в настоящото ръководство. При използване на инструмент, захранван с батерия, винаги трябва да се спазват основни предпазни мерки, за да се намали рискът от пожар, течове от батерии и физическо нараняване.

ЛИЧНА БЕЗОПАСНОСТ

- Продуктът може да отреже крак или ръка, както и да изхвърля предмети. Съблюдавайте всички инструкции за безопасност. В противен случай може да се стигне до сериозни физически наранявания или смърт.
- Запознайте се с контролите за управление и правилното използване на продукта.
- Никога не позволявайте на деца, на хора с ограничени физически, сетивни или умствени способности и на хора, които не са запознати с тези инструкции, да работят и да извършват дейности по почистване и поддръжка на продукта. Местните наредби могат да налагат ограничения за възрастта на оператора. Децата трябва да бъдат внимателно надзиравани, за да се гарантира, че не си играят с продукта.
- Бъдете бдителни, внимавайте какво правите и проявявайте благоразумие, когато боравите с уреда. Не използвайте тази машина, ако сте уморени, болни или под влиянието на алкохол, наркотици или лекарства. Миг невнимание при работа с машината може да доведе до сериозно физическо нараняване.
- Носете тежки, дълги панталони, дрехи с дълги ръкави и здрави обувки против хлъзгане. Не носете шорти, сандали и не ходете боси. Избягвайте носенето на широки дрехи или дрехи с висящи шнурове или вратовръзки.
- Винаги по време на работа носете защитни очила със странични екрани.
- Винаги стъпвайте внимателно и стабилно, особено на стръмни повърхности. Заемайте стабилна позиция и пазете баланс. Вървете, никога не тичайте, когато косите.
- Върху наклонени терени работете с продукта напърно спрямо повърхността, никога нагоре и надолу. Бъдете особено бдителни при смяна на посоката на наклона.
- Не използвайте уреда в близост до насипи, канавки, прекалено стръмни повърхности или диги. Нестабилността по време на работа може да доведе до подхлъзване и падане.



БЕЗОПАСНОСТ НА РАБОТНАТА ЗОНА

- Никога не използвайте продукта, докато хора (особено деца) или домашни животни са в радиус от 15 м, защото съществува риск да отхвърчат предмети в следствие на контакт с острието.
- Предмети, изхвърлени от косачката, могат да причинят сериозни наранявания. Проверете внимателно зоната, където ще се използва машината, и отстранете всички камъни, пръчки, метални предмети, кабели, кости, играчки или други чужди предмети. Не забравяйте, че в режещия механизъм могат да се заплетат върви или жици.
- Използвайте продукта само на дневна светлина или при добро изкуствено осветление.
- Не работете с машината в среда с повишена опасност от възникване на експлозия, в близост до леснозапалими течности, газове или прахообразни материали. По време на работа инструментът може да произведе искри, които да възпламенят прах или пари.
- Не работете с машината върху влажна трева или при дъжд.
- Не използвайте продукта, когато има риск от мълнии.
- Трябва да знаете, че операторът или потребителят е отговорен за причиняването на злополуки или щети на други лица или имущество.
- Операторът трябва да е винаги нащрек в присъствието на деца, за да се избегнат трагични инциденти. Децата обикновено са любопитни към машините и към процеса на косене. Не мислете, че децата ще стоят дълго на мястото, където сте ги видели за последно.
- Пазете децата от зоната за косене и под зорката грижа на отговорен възрастен, различен от оператора, бъдете бдителни и изключете косачката, ако в зоната навлезе дете.
- Бъдете допълнително внимателно при приближаване слепи завои, храсти, дървета или други предмети, включително надвиснали храсти, които могат да попречат на видимостта ви.

ИЗПОЛЗВАНЕ И ОБСЛУЖВАНЕ НА ИНСТРУМЕНТА С БАТЕРИЯ

- Прочетете, разберете и винаги следвайте инструкциите за безопасност, предоставени към вашия акумулатор и зарядно устройство. Неспазването на инструкциите може да доведе до токов удар, пожар или други опасни ситуации. Запазете всички инструкции заедно и на сигурно място за бъдещи справки.
- Не е нужно инструментите, захранвани с батерии, да бъдат включвани в електрически контакт; следователно те винаги са в работно състояние. Изваждайте ключа на изолатора, когато не работите с продукта.
- Извадете батерията, преди да извършвате каквито и да е настройки, почистване или изваждане на материали от уреда.
- Уверете се, че ключът на изолатора е отстранен, преди да поставите батерията.
- Батерията трябва да се зарежда само със зарядното устройство, посочено от производителя. Използването на зарядно устройство с несъвместима батерия може да доведе до риск от пожар. Използвайте само посоченото зарядно устройство, за да зареждате батерията.
- Използвайте само батерии, конкретно предназначени за инструмента. Използването на други батерии може да доведе до риск от пожар, токов удар или физическо увреждане.
- **Когато батерията не се използва, съхранявайте я далеч от други метални обекти, като например кламери, монети, ключове, гвоздеи, гайки или други малки метални обекти, които могат да направят връзка между клемите.** Евентуално късо съединение от клемите на акумулаторната батерия може да предизвика искри, изгаряния, пожар или експлозия.
- Не оставяйте продукти с батерии или техните батерии близо до огън или топлина. Това повишава опасността от експлозия и вероятността за наранявания.
- Не отваряйте и не повреждайте



батерията. Освободеният електролит е разяждащ и може да доведе до увреждане на очите или кожата. Може да е отровен, ако се погълне.

- Предпазвайте батерията от влага и вода. Никога не презареждайте инструмент на мокри или влажни места. Спазването на това правило ще намали риска от токов удар.
- В случай на повреда и неправилно използване на батерията може да се отделят изпарения. Осигурете свеж въздух и потърсете лекарска помощ в случай на оплаквания. Изпаренията може да възпалят дихателната система.
- Не оставяйте акумулаторната батерия вътре в автомобил, ако условията са много горещи или студени.
- Не изгаряйте батерията.
- При неправилно използване батерията може да отдели течност; избягвайте контакт. Ако случайно настъпи контакт, промийте с вода. Ако течността влезе в контакт с очите, потърсете допълнително медицинска помощ. Отделената от батерията течност може да причини възпаление или изгаряния.

ПРЕДУПРЕЖДЕНИЯ ЗА БЕЗОПАСНА РАБОТА С КОСАЧКАТА ЗА ТРЕВА

- Оглеждайте инструмента всеки път преди употреба, за да се уверите, че остриетата, болтовете им и режещия механизъм не са износени или повредени.
- Заменете износените или повредените остриета и болтове заедно, за да запазите баланса.
- Острието на продукта е много остро. Бъдете внимателни и носете здрави предпазни ръкавици, когато затягате, подменяте, почиствате или инспектирате болтовете.
- Занесете продукта в оторизиран сервизен център, ако е необходима замяна на повредени или нечетливи етикети.
- Периодично проверявайте дали всички гайки, болтове и винтове са правилно затегнати, за да сте сигурни, че оборудването е в изправност.
- Периодично проверявайте колектора на

трева за износване, продупчвания или повреди.

- Подменяйте износените или повредените части, преди да работите с уреда.
- При стартиране на продукта потребителят трябва да е заел позиция зад ръкохватките, където е зоната за безопасност на оператора. Никога не стартирайте продукта, ако:
 - всичките четири колелета не са в плътен контакт със земната повърхност
 - Улеят за отвеждане на трева е изложен и не е защитен от коша за трева и капака на улея за отвеждане на трева
 - ръцете и краката на всички близкостоящи лица не са на безопасно разстояние от режещия механизъм.
- Никога не работете с продукта, ако превключвателят за включване/изключване от ръкохватката не стартира и не спира правилно продукта.
- Никога не опитвайте да фиксирате превключвателите за включване/изключване така, че да са постоянно в позиция **ВКЛЮЧЕНО**; това е изключително опасно.
- Не насилвайте продукта. Той ще свърши работата по-добре и по-безопасно в зададения от производителя диапазон на натоварване.
- Спрете острието, когато преминавате над чакълести повърхности.
- Не дърпайте уреда назад, освен ако не е абсолютно необходимо. Ако трябва да върнете машината в обратна посока, за да избегнете стена или препятствие, първо се огледайте надолу и назад, за да избегнете спъване или дръпване на машината над краката си.
- Изключете двигателя и изчакайте острието да спре, ако се налага да наклоните косачката, за да я транспортирате до и от мястото за косене или през места, различни от тревни площи.
- Никога не ползвайте уреда с повредени защити или странични екрани или без защитни устройства, например без

монтирани отклонители или колектори за трева.

- Не наклоняйте продукта, когато включвате двигателя или докато двигателят работи. Ако е абсолютно необходимо, може да повдигнете предната част на косачката за трева с не повече от 5 cm, за да позволите по-лесно стартиране. Натиснете надолу лоста за управление, за да постигнете това. Винаги връщайте косачката в нормалното ѝ положение с всички колела на земята преди косене. Накланянето на косачката излага ножа и увеличава вероятността от изхвърляне на предмети и случен контакт с ножа.
- Включете внимателно електродвигателя съгласно инструкциите и дръжте ръцете и краката далеч от ножовете. Не поставяйте ръцете или краката си близо до или под въртящите се части.
- Никога не вдигайте и не носете продукта, докато моторът му работи.
- Спрете машината, свалете резединителя и акумулатора. Уверете се, че всички движещи се части са спрели напълно:
 - когато оставяте продукта без надзор (включително, за да изхвърлите тревните отрязъци);
 - преди почистване на запушване или отпушване на отвеждащия улей
 - преди проверка, почистване или работа по уреда
 - преди да свалите кутията за трева или да отворите капака на улея за изхвърляне на трева
 - след сблъсък с друг предмет; инспектирайте уреда за повреди и извършете необходимите поправки, преди да рестартирате машината и да я използвате отново.
 - ако уредът започне да вибрира неестествено (проверете незабавно)
 - когато инспектирате за повреди, особено когато проверявате остриетата.
 - заменете или ремонтирайте всички повредени детайли
 - проверете има ли незатегнати детайли и при необходимост ги затегнете

- Избягвайте дупки, бразди, издутини, камъни или други скрити предмети. Неравният терен може да доведе до подхлъзване и падане.
- Никога не допускайте контролния кабел на мотора да се заклешва, прищипва или поврежда по друг начин, докато сглобявате продукта или сгъвате ръкохватката.

ДОПЪЛНИТЕЛНИ ПРЕДУПРЕЖДЕНИЯ ЗА БЕЗОПАСНОСТ ЗА БАТЕРИЯТА

▲ ПРЕДУПРЕЖДЕНИЕ

За да избегнете опасността от пожар, предизвикана от късо съединение, както и нараняванията и повредите на продукта, не потапяйте инструмента, сменяемата акумулаторна батерия или зарядното устройство в течности и се погрижете в уредите и акумулаторните батерии да не попадат течности. Течностите, предизвикващи корозия или провеждащи електричество, като солена вода, определени химикали, избелващи вещества или продукти, съдържащи избелващи вещества, могат да предизвикат късо съединение.

ХАРАКТЕРИСТИКИ НА МАШИНАТА

ПРЕТОВАРВАНЕ И ЗАЩИТА ОТ ПРЕГРЯВАНЕ

Машината има предпазно устройство срещу претоварване. Когато се открие претоварване, машината ще се изключи автоматично. Ако протекторът срещу натоварване се активира, трябва да отпуснете бутона за включване/изключване. Натиснете бутона за включване/изключване, за да стартирате повторно продукта.

Акумулаторната батерия има защита против прегряване. Извънредно високите температури ще доведат до спиране на хранването на инструмента от батерията. Пипнете акумулатора; ако е много горещ, оставете го да изстине преди възобновяване на работата. Ако инструментът все още не работи, презаредете батерията.

ЗАБЕЛЕЖКА: Светодиодният индикатор

на батерията няма да работи, ако защитната функция на батерията е довела до спирането на захранването на инструмента от батерията. Освободете бутоната включено-изключено или свалете акумулатора от машината и светодиодният индикатор на акумулатора ще възобнови нормалното си функциониране.

ОБЩИ СЪВЕТИ ЗА КОСЕНЕ

Времето за изтощаване на акумулатора зависи от състоянието, височината и гъстотата на тревата.

Регулирайте височината на рязане на косачката, така че да съответства на текущото състояние на тревната площ, която ще косите.

Условия на тревата	Препоръчително регулиране на височината		Площ (максимална)	
	Първо косене	Последващи окосявания	Акумулаторна батерия 4 Ah	Акумулаторна батерия 5 Ah
Много тънка / суха	3	2	200 m ²	250 m ²
Тънка / суха	4	3 → 2	150 m ²	200 m ²
Средна / гъста	5	4 → 3	100 m ²	150 m ²

* Батерия: RB18L40

- За най-добро изпълнение винаги режете не повече от една трета от общата височина на тревата.
- При косене на висока трева забавете хода си за по-голяма ефективност и правилно изхвърляне на отрязаната трева.
- Не косете влажна трева; тя ще залепне от долната страна на корпуса и ще попречи на правилното събиране или изхвърляне на тревните отрязъци.
- За млада или дебела трева може да се наложи по-голяма височина на рязане.
- Ако искате да събирате отрязана трева с цел изхвърляне, свалете плуга за мулчиране и поставете коша за трева, като се уверите, че капакът на улея за отвеждане на трева е правилно затворен. Редовно изпразвайте кутията за трева, в противен случай улеят за изхвърляне на трева ще се задръсти с тревни отрязъци.
- Ако правите по-леки срезове и желаете

отрязаните стръкове трева да останат върху тревната площ, поставете плуга за мулчиране и затворете капака на улея за отвеждане на трева, за да покриете отвора за отвеждане. В този случай не е необходимо да поставяте коша за трева.

- Продуктът е предназначен да работи и реже най-ефективно при движение напред.
- По високата височина на рязане ще удължи времето за изтощаване на акумулатора.

ТРАНСПОРТИРАНЕ И СЪХРАНЕНИЕ

- Спрете машината, свалете разединителя и акумулатора. Уверете се, че всички движещи се части са спрели напълно. Оставете продукта да се охлади преди съхранение или транспорт с превозно средство.
- Почистете продукта от всички чужди частици. Съхранявайте я на хладно, сухо и добре проветрявано място, което е недостъпно за деца. Не го оставяйте в близост до корозивни материали като градински химикали или соли за размразяване. Не съхранявайте на открито.
- За транспортирането в превозни средства, свалете разединителя и осигурете машината срещу преместване или падане, за да предотвратите нараняване на хора или повреда на машината.

▲ ПРЕДУПРЕЖДЕНИЕ

Проявявайте изключително внимание при повдигане или накланяне на машината за поддръжка, почистване, съхранение или транспортиране, ножът е остър, пазете всички части на тялото настрана от ножа, докато той е изложен.

ТРАНСПОРТИРАНЕ НА ЛИТИЕВИ БАТЕРИИ

Транспортирайте батериите в съответствие с местните и национални постановления и разпоредби.

Спазвайте всички специални изисквания за пакетирание и етикетирание, когато транспортирате батерии чрез трето лице.

Уверете се, че батериите не влизат в контакт с други батерии или проводими материали по време на транспортиране, като предпазите откритите конектори с изолация, непроводими капачета или лента. Не транспортирайте батерии, които са спукани или текат. Свържете се със следната компания за допълнителен съвет.

ПОДДРЪЖКА

⚠ ПРЕДУПРЕЖДЕНИЕ

Използвайте само оригинални резервни части, аксесоари и приставки от производителя. В противен случай може да се влоши работата на инструмента или да получите тежки контузии, а гаранцията ви ще стане невалидна.

⚠ ПРЕДУПРЕЖДЕНИЕ

Сервизното обслужване изисква изключително внимание и специфични познания и следва да бъде извършвано само от квалифициран техник. Продуктът трябва да бъде ремонтиран само в упълномощен сервиз. При извършване на сервизни дейности използвайте само оригинални резервни части от производителя.

- Спрете машината, свалете разединителя и акумулатора. Уверете се, че всички движещи се части са напълно спрели, преди каквото и да е почистване или задача по обслужване.
- Можете да извършвате настройките и поправките, описани тук. За други поправки или съвети потърсете съдействие от оторизиран сервизен център.
- За обезпечаване на вашата безопасност заменяйте своевременно износени или повредени детайли.
- Периодично проверявайте колектора на трева за износване или повреди.
- Всеки път след употреба почиствайте продукта с мека и суха кърпа. Всяка повредена част трябва да бъде поправена или заменена от упълномощен сервизен център.

- Периодично проверявайте дали всички гайки, болтове и винтове са правилно затегнати, за да сте сигурни, че продуктът е в изправност.
- Внимавайте при регулиране на инструмента, за да предотвратите заклещването на пръстите си между движещите се остриета и неподвижните части на инструмента.
- При обслужване на остриетата трябва да знаете, че дори ако захранващия източник е изключен, остриетата все пак могат да се движат.
- Острието на продукта е много остро. Бъдете внимателни и носете здрави предпазни ръкавици, когато затыгате, подменяте, почиствате или инспектирате болтовете.
- Заменете износените или повредените остриета и болтове заедно, за да запазите баланса.
- Болтовете на ножовете трябва да бъдат подходящо затегнати. **Вижте препоръките на производителя за момента на затыгане на болтовете на ножовете, които могат да се намерят в таблицата със спецификациите на машината в това ръководство.**

ОТСТРАНЯВАНЕ НА ЗАПУШВАНЕ

- Спрете машината, свалете разединителя и акумулатора. Уверете се, че всички движещи се части са спрели напълно.
- Винаги носете здрави защитни ръкавици, когато проверявате за запушвания или отстранявате такива.
- Остриетата са остри и самото задръстване може да бъде остър предмет.
- Свалете коша трева, проверете и внимателно почистете задръстванията.
- Проверете изпускателния улей за трева за задръстване и внимателно почистете.
- Завъртете машината настрани, проверете я от долната страна и зоната около ножа. Ако бъдат открити някакви задръствания, ги отстранете внимателно. Не забравяйте, че ножът може да се движи по време на почистването.

НЕПРЕДВИДЕНИ РИСКОВЕ

Дори когато продуктът се използва по предназначение, е невъзможно напълно да се ограничи влиянието на определени рискови фактори. Описаните по-долу опасности могат да възникнат по време на работа, като операторът трябва да внимава за избягването на следното:

- Нараняване, причинено от вибрация
 - Винаги използвайте правилния инструмент за съответната работа. Като ограничавате времето на работа и излагането на рискове.
- Наранявания, причинени от шум
 - Излагането на шум може да доведе до увреждане на слуха. Носете антифони и ограничете излагането.
- нараняване в следствие на контакт с остриетата
- Щети, причинени от хвърлени предмети

НАМАЛЯВАНЕ НА РИСКА

Известно е, че вибрациите, произвеждани от ръчни инструменти може да предизвикат у някои индивиди заболяване, наречено Синдром на Рейнолд (Raynaud's Syndrome). Симптомите може да включват изтръпване, схващане и изbledняване на пръстите, обикновено се забелязват при излагане на студ. Смята се, че наследствените фактори, излагането на студ и влага, диетите, пушенето и някои работни навици допринасят за развитието на тези симптоми. Могат да се вземат някои мерки, които могат да се предприемат от оператора, за да се намалят ефектите от вибрациите:

- Поддържайте телесната температура в студено време. Когато работите с продукта, носете ръкавици, за да поддържате ръцете и китките си топли. Според изследвания главният фактор, допринасящ за развитието на Raynaud's Syndrome, е студеното време.
- Правете упражнения за активизиране на кръвообращението след всеки работен цикъл.
- Редовно излизайте в почивка. Ограничете излагането на вибрации на ден.

При поява на някой от симптомите на

това заболяване, незабавно прекратете употребата на инструмента и посетете лекар.

⚠ ПРЕДУПРЕЖДЕНИЕ

Продължителното използване на инструмента може да доведе до наранявания или влошаване. При използване на инструмента за продължителни периоди от време правете чести почивки.

ОПОЗНАЙТЕ ВАШИЯ ПРОДУКТ

Вж. страница 193.

Части

1. Ръкохватка
2. Бутон за включване/изключване
3. Бутон за стартиране
4. Кабел за управление на двигателя
5. Държач на кабела за управление на мотора
6. Врата за батериите
7. Врътка на ръкохватката
8. Индикатор за запълненост на кутията за трева
9. Колектор на трева
10. Капак на улея за отвеждане на трева
11. Ключалка на дръжката
12. Задно колело
13. Лост с регулируема височина
14. Предно колело
15. Ключ на изолятора
16. Батерия
17. Зарядно устройство
18. Приспособление за мулчиране

СИМВОЛИ НА ПРОДУКТА



Прочетете и осмислете всички указания, преди да започнете работа с продукта; спазвайте всички предупреждения и инструкции за безопасност.



Носете антифони



Носете защитни средства за очи



Не работете по наклони над 15°. Косете наклонените повърхности на пряко, никога нагоре и надолу.



Не излагайте на дъжд и на влажни условия.



Внимавайте с острите остриета. Остриетата продължават да се въртят след изключване на двигателя – Извадете ключа на изолатора, преди да извършвате дейности по поддръжка

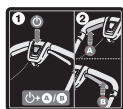


Внимавайте за изхвърлени или летящи обекти. Не допускате странични наблюдатели, особено деца и домашни животни, на по-малко от 15 м от работната зона.



Дръжката разполага с 3 нива на регулиране по височина. Проверете, за да се уверите, че тръбите са правилно вмъкнати, особено при най-високото ниво. Ръчката би могла да се измъкне от отворите, ако не е правилно поставена и заключена.

Натиснете бутона „Старт“ и след това бутона за включване/изключване (А или В), за да стартирате уреда. Освободете бутона „Старт“ и продължете да натискате бутона за включване/изключване, за да работите с уреда. Отпуснете бутона за включване и изключване, за да спрете продукта.



Старт



Стоп



Прочетете инструкциите внимателно, преди да стартирате машината.



Електрическите уреди не трябва да се изхвърлят заедно с битовите отпадъци. Рециклирайте, където има възможност. Обърнете се за съвет по рециклирането към местните власти или разпространителите.



Тази машина е в съответствие с нормативната уредба на държавата от ЕС, където е била закупена.



EurAsian знак за съответствие



Украински знак за съответствие



Гарантираното ниво на силата на шум, показано на този етикет, е 96 dB.

Следните сигнални думи и техните съответни значения обясняват нивата на опасност, свързани с употребата на този продукт:

⚠ ОПАСНОСТ

Указва неминуемо опасна ситуация, която ако не бъде избегната, ще доведе до сериозни наранявания или смърт.

⚠ ПРЕДУПРЕЖДЕНИЕ

Указва потенциално опасна ситуация, която ако не бъде избегната, може да доведе до сериозни наранявания или смърт.

⚠ ВНИМАНИЕ

Указва потенциално опасна ситуация, която ако не бъде избегната, може да доведе до дребни или средни наранявания.

ВНИМАНИЕ

(Без предупредителен символ за безопасност) Указва ситуация, която може да доведе до имуществени щети.

СИМВОЛИ В НАСТОЯЩОТО РЪКОВОДСТВО



Частите или принадлежностите се продават отделно



Забележка



Предупреждение

У дизайні Вашої бездротової газонокосарки першочергову увагу приділено безпеці, потужності та надійності.

ПЕРЕДБАЧУВАНОМУ ВИКОРИСТАННІ

Бездротова газонокосарка призначена для використання тільки на свіжому повітрі.

Цей інструмент призначено для скошування газону на присадібній ділянці. Ріжуче полотно має обертатись приблизно паралельно до поверхні скошування. Під час скошування всі чотири колеса повинні торкатися землі. Ця газонокосарка керується людиною ззаду шляхом штовхання.

Заборонено використовувати газонокосарку, якщо її колеса відірвані від поверхні землі; не слід смикати за косарку чи кататись на ній. Інструмент призначено виключно для стрижки трави на присадібних ділянках.

Не використовуйте для будь-яких інших цілей.

ЗАГАЛЬНІ ЗАХОДИ БЕЗПЕКИ

▲ Попередження

При використанні продукту, потрібно дотримуватися правил безпеки. Для вашої власної безпеки та безпеки перехожих, будь ласка, прочитайте ці інструкції перед експлуатацією виробу. Будь ласка, збережіть інструкції з безпеки для подальшого використання.

▲ Попередження

Використовуйте пристрій лише з акумуляторами зазначеними у цій інструкції з використання. При використанні продуктів з акумуляторним живленням, необхідно дотримуватися основних запобіжних заходів, щоб знизити ризик виникнення пожежі, течі акумуляторів і травм.

ОСОБИСТА БЕЗПЕКА

- При неналежному використанні пристрій може відрізати руки чи ступні, а також під час роботи може розкидати предмети, що підпадають під нього. Недотримання правил безпеки може призвести до

серйозних травмувань чи навіть летальних наслідків.

- Добре ознайомтеся з органами управління та правильним використанням машини.
- Ніколи не дозволяйте дітям або людям з обмеженими фізичними, сенсорними або розумовими здібностями, або незнайомим з цими інструкціями, працювати, чистити або обслуговувати машину. Місцеве законодавство може обмежувати вік оператора. Потрібно належним чином стежити за дітьми, щоб вони не грали з машиною.
- Будьте уважні, дивіться, що ви робите, і використовуйте здоровий глузд при експлуатації виробу. Не працюйте з виробом, коли ви втомлені або знаходитесь під дією наркотиків, алкоголю або медикаментів. Втрата концентрації під час роботи виробу може призвести до серйозної травми.
- Одягайте важкі, довгі штани, одяг із довгими рукавами та міцне нековзке взуття. Не можна працювати в шортах, сандаліях або босоніж. Уникайте носити вільний одяг, або з висячними шнурками або зав'язками.
- Завжди носіть захисні окуляри з боковими щитками.
- Завжди будьте впевнені в опорі на схилах. Тримайте міцну опору і рывновагу. Ходіть, ніколи не бігайте.
- При скошуванні на схилах переміщуйте косарку вздовж поверхні схилу, а не вверх-вниз. Будьте особливо обережними під час зміни напрямку на схилах.
- Не використовуйте продукт поблизу обривів, канав, надмірно крутих схилів або набережних. Погано опора може призвести до ковзання і аварійного падіння.

БЕЗПЕКА РОБОЧОГО МІСЦЯ

- Ніколи не використовуйте цей виріб, коли на відстані 15 м знаходяться люди, особливо діти, або тварини, тому що існує небезпека, що під час контакту з лезом можуть викидатися предмети.
- Предмети, відкинуті косаркою, можуть призвести до серйозних травмувань у людей. Ретельно огляньте місце,



де використовуватиметься пристрій і приберіть усі камені, великі гілки, металеві предмети, дроти, кістки, іграшки й інші сторонні предмети. Пам'ятайте, що різучі засоби можуть запалити мотузку або дріт.

- Використовуйте продукт при денному світлі або при хорошому штучному освітленні.
- Не використовуйте продукт у вибухонебезпечних атмосферах, наприклад, у присутності легко займистих рідин, газів або пилу. Під час роботи косарки виникають іскри, що можуть призвести до займання пилу або парів.
- Не використовуйте машину при мокрій траві або в дощ.
- Не використовуйте продукт, якщо є ризик блискавки.
- Майте на увазі, що оператор або користувач несе відповідальність за нещасні випадки або пошкодження спричинені іншим особам або їх майну.
- Неуважність оператора газонокосарки до присутності дітей може мати трагічні наслідки. Діти дуже цікавляться самим інструментом, і процесом скошування трави. Не слід сподіватись, що діти залишатимуться там, де Ви в останнє їх бачили.
- Слідкуйте, щоб діти знаходились за межами зони косіння та під наглядом дорослого, який не працює з пристроєм, будьте уважні та вимкніть прилад, якщо дитина входить до небезпечної зони.
- Будьте особливо обережні поблизу поворотів з поганою оглядовістю, чагарників, дерев або інших об'єктів, враховуючи висячі кущі, які можуть заважати огляду.

ВИКОРИСТАННЯ І ДОГЛЯД ІНСТРУМЕНТУ НА БАТАРЕЙКАХ

- Прочитайте, зрозумійте і завжди дотримуйтесь інструкцій з техніки безпеки, що додаються до акумулятора і зарядного пристрою. Невиконання цієї вимоги може призвести до ураження електричним струмом, пожежі або інших небезпечних ситуацій. Зберігайте всі інструкції разом в надійному місці для подальшого використання.

- Машина, працююча на акумуляторі не повинна бути підключена до електричної розетки; тому, вона завжди знаходиться в робочому стані. Висуньте ключ запалення, якщо Ви не користуєтесь косаркою.
- Зніміть акумулятор перед регулюванням, очищенням або видаленням матеріалу з продукту
- Перш ніж вставити акумуляторний блок, переконайтесь, що ключ запалення вийнято.
- Акумуляторна батарея повинна бути заряджена тільки за допомогою зарядного пристрою, зазначеного виробником. Використання зарядного пристрою з несумісною акумуляторною батареєю може створити ризик загоряння. Акумулятор треба заряджати виключно за допомогою зарядного пристрою, рекомендованого виробником.
- Використовуйте лише акумуляторні батареї, спеціально призначені для цієї машини. Використання будь-яких інших акумуляторів може призвести до ризику виникнення пожежі, ураження електричним струмом або травмування осіб.
- **Коли акумуляторна батарея не використовується, тримайте її подалі від металевих предметів, таких як кліпси, монети, ключі, цвяхи, гвинти або інші невеликі металеві предмети, які можуть замкнути клеми.** Замикання клем акумулятора може призвести до отримання іскор, опіків, пожежі або вибуху.
- Не залишайте акумуляторні продукти або їхні акумулятори поблизу вогню або тепла. Це збільшує ризик вибуху і, можливо, травми.
- Не відкривайте та не діформуйте акумулятор. Електроліт є агресивною рідиною і може привести до пошкодження очей або шкіри. Він може бути токсичним при ковтанні.
- Захистіть акумуляторний блок від вологи і води. Не заряджайте виріб у вологому або мокрому місці. Дотримання цього правила дозволить знизити ризик ураження електричним струмом.
- У разі пошкодження і неправильного





використання акумулятора, може виділятися пара. Забезпечіть доступ свіжого повітря і зверніться за медичною допомогою у разі скарг. Пара може подразнювати дихальні шляхи.

- Не залишайте акумулятор в салоні автомобіля в жарких або холодних умовах.
- Не спалюйте акумулятори.
- У важких умовах експлуатації, рідина може бути випущена з батареї; уникайте контакту. При випадковому контакті змийте водою. При потрапленні рідини в очі, зверніться за медичною допомогою. Рідина з акумулятора може викликати роздратування або опіки.

ЗАСТЕРЕЖЕННЯ ЩОДО БЕЗПЕЧНОГО ВИКОРИСТАННЯ ГАЗОНОКОСАРКИ

- Перед використанням завжди огляньте, щоб побачити, що ріжучі елементи і ріжучі засоби не зношені або не пошкоджені.
- Замініть зношені або пошкоджені компоненти, для збереження балансу.
- Лезо виробу гостре. будьте вкрай обережні та здійсніте зборку, заміну запчастин, чищення чи перевірку затягування болтів у захисних рукавицях.
- Принесіть продукт в авторизований сервісний центр для заміни пошкоджених або нечитасмих етикеток.
- Перевірте всі гайки, болти і гвинти після короткого проміжка часу на правильну герметичність, щоб забезпечити продукт у безпечному робочому стані.
- Регулярно перевіряйте травозбірник на наявність зносу, дірок або пошкоджень.
- Замініть зношені або пошкоджені деталі перед початком роботи продукту.
- Виріб треба запускати, коли користувач знаходиться позаду керма у безпечній зоні. Ніколи не запускайте виріб, доки:
 - всі чотири колеса не будуть стояти на землі
 - жолоб викидання трави відкритий та незахищений збірником зрізаної трави та кожухом жолобу викидання трави
 - руки та ноги всіх осіб не знаходяться поріч з огороженням ріжучої зони

- Ніколи не експлуатуйте виріб, якщо вимикач живлення на кермі не вмикає та вмикає виріб належним чином.
- Ніколи не намагайтесь заблокувати перемикач в увімкненому положенні, це вкрай небезпечно.
- Не тисніть на пристрій Він буде працювати краще і безпечніше при швидкості, для якої він був розроблений.
- Зупиніть роботу леза при перетинанні ділянок, вкритих гравієм.
- Не тягніть виріб назад, тільки, якщо це абсолютно необхідно. Якщо необхідно відвести назад машину від стіни або перешкоди, перш дивіться вниз і назад, щоб уникнути відключення або протягнення машини по ваших ногах.
- Вимкніть двигун та зачекайте, доки лезо не зупиниться, якщо газонокосарку необхідно нахилити для переміщення при перетинанні інших поверхонь, окрім трави, а також при пересуванні інструмента на газон та з нього.
- Ніколи не працюйте з продуктом з дефектним захистом або щитками, або без захисних пристроїв, таких як колектор сміття, на місці.
- Не нахиляйте газонокосарку, коли вмикаєте двигун, або коли він працює. Ви можете підняти передню частину газонокосарки не більше, ніж на 5 см, якщо це дійсно необхідно для легкого запуску. Для здійснення цього, натисніть на кермо униз. Перед початком косіння, завжди повертайте косарку, яка стоїть на землі усіма колесами у початкове положення. Нахил газонокосарки виставляє лезо з під захисту та підвищує ймовірність летючих часток та випадкового контакту із лезом.
- Обережно увімкніть двигун відповідно до інструкцій та тримайте руки та ноги подалі від лез. Не пікадайте руки або ноги під обертаючі деталі.
- Ніколи не підіймайте або носіть пристрій під час його роботи.
- Зупиніть двигун, демонтуйте рукоятку та акумулятор. Переконайтеся, що всі рухомі частини зупинилися:
 - залишати виріб без нагляду (включаючи утилізацію обрізків трави)
 - перш ніж видаляти засмічення або



прочищати бункер

- перед перевіркою, чищенням, або роботі на продукті
- перш ніж знімати травозбірник або відкривати кришку бункеру з травою.
- якщо інструмент натрапив на сторонній предмет огляньте пристрій на наявність пошкоджень, за необхідністю полагодьте, перш ніж продовжувати роботу.
- якщо машина починає аномально вібрувати (перевірте відразу)
 - перевірте виріб на наявність пошкоджень, особливо лез
 - замінити або відремонтувати пошкоджені деталі
 - перевірити і затягнути послаблені частини
- Уникайте ям, вибоїн, пагорбів, каменів, жердин, або інших скритих об'єктів. Використання на неровному ландшафті може спричинити падіння.
- Завжди слідкуйте, щоб дрід від контрольний кабель двигуна ніколи не захоплювався, не заземлювався або не пошкоджувався іншим способом під час збирання або складання ручки.

ДОДАТКОВІ ПОПЕРЕДЖЕННЯ З ТЕХНІКИ БЕЗПЕКИ ЩОДО ВИКОРИСТАННЯ АКУМУЛЯТОРІВ

▲ Попередження

Для запобігання небезпеці пожежі в результаті короткого замикання, травмам і пошкодженню виробів не занурюйте інструмент, змінний акумулятор або зарядний пристрій у рідину і не допускайте потрапляння рідини всередину пристроїв або акумуляторів. Корозійні і струмопровідні рідини, такі як солоний розчин, певні хімікати, вибілювальні засоби або продукти, що їх містять, можуть призвести до короткого замикання.

ХАРАКТЕРИСТИКИ ПРИСТРОЮ

ЗАХИСТ ВІД ПЕРЕВАНТАЖЕННЯ І ПЕРЕГРІВУ

Пристрій оздоблений засобом захисту від перевантаження. Пристрій автоматично вимикається, якщо наявне перевантаження. Якщо обмежувач перевантаження спрацьовує кнопка включення-виключення, повинна бути відпущена. Натисніть кнопку включення-виключення, щоб перезавантажити пристрій.

Акумулятор має захист від перегріву. Підвищення температури може призвести до зупинення живлення продукту від акумулятора. Відчуйте акумулятор; якщо він занадто теплий, дайте йому охолонути, перш ніж відновити роботу. Якщо продукт все ще не працює, замінит акумулятор.

ПРИМІТКА: СВД акумулятора не працюватиме, якщо функція захисту батареї викликала зупинку живлення продукту. Відпустіть кнопку включення-виключення або вийміть акумулятор з пристрою і СВД індикатор акумулятора відновить нормальну функцію.

ЗАГАЛЬНІ ПОРАДИ ЩОДО КОСОВИЦІ

Час роботи акумулятора залежить від стану, висоти та густоти трави.

Відрегулюйте висоту обрізання газонокосарки відповідно до поточного стану ділянки, яку Ви збираєтесь обробляти.

Стан трави	Рекомендована висота скошування		Площа охоплення (максимум)	
	Перший прохід	Наступні проходи	Акумулятор 4 Аг	Акумулятор 5 Аг
Дуже тонка/ Суха	3	2	200 м ²	250 м ²
Тонка/Суха	4	3 → 2	150 м ²	200 м ²
Середня/Густа	5	4 → 3	100 м ²	150 м ²

* Акумулятор: RB18L40

- Для забезпечення оптимальної продуктивності завжди зрізайте третину або менше від загальної висоти трави.
- При зрізанні високої трави перемішуйте повільніше, щоб забезпечити ефективне скошування та належне видалення

скошеної трави.

- Не використовуйте пристрій на вологій траві; вона прилипне до нижньої поверхні кришки та завадить належному збору або викиданню скошеної трави.
- Для зрізання молодої В12 або густої трави необхідна більша висота скошування.
- Якщо ви хочете зібрати трави для утилізації, зніміть вилку для мульчування та встановіть збирач для трави таким чином, щоб забезпечити належне закривання кришки жолоба для вивантаження трави. Регулярно спорожняйте короб для трави, у протилежному разі жолоб викидання буде забитий обрізками трави.
- Якщо ви косите і бажаєте залишити скошену траву на газоні, під'єднайте вилку для мульчування та закрийте кришку жолоба для вивантаження трави, щоб зачинити отвір для вивантаження. У цьому випадку не потрібно використовувати збирач.
- Пристрій розроблений для ефективного функціонування та різання під час руху вперед.
- Акумулятор працює довше при більшій висоті скошування.

ТРАНСПОРТУВАННЯ ТА ЗБЕРІГАННЯ

- Зупиніть двигун, демонтуйте рукоятку та акумулятор. Переконайтеся, що всі рухомі частини зупинилися. Зупиніть двигун і дайте йому охолонути перед зберіганням або транспортуванням.
- Почистіть всі сторонні матеріали з продукту. Зберігайте продукт в прохолодному, сухому і добре провітрюваному місці, недоступному для дітей. Зберігати подалі від агресивних агентів, таких як садові хімікати і солей проти обледеніння. Не зберігайте на відкритому повітрі.
- При транспортуванні пристрою у транспортних засобах, вийміть ключ для блокування та забезпечте надійне закріплення пристрою для запобігання його руху або падіння, травмування людей, пошкодження самого пристрою, або втрати палива.

⚠ Попередження

Будьте особливо обережні під час підйому або нахилу пристрою для технічного обслуговування, очищення, зберігання або транспортування, бо лезо гостре, тримайте всі частини тіла подалі від леза доки воно незахищене.

ПЕРЕВЕЗЕННЯ ЛІТІЄВИХ БАТАРЕЙ

Здійсніть транспортування акумуляторної батареї відповідно до місцевих та загальнодержавних норм і правил.

Дотримуйтесь всі спеціальні вимоги до упаковки і маркування при транспортуванні батареї третьою стороною. Переконайтеся, що під час транспортування акумулятор не вступає в контакт з іншими акумуляторними батареями або струмопровідними матеріалами та захистіть відкриті роз'єми ізоляційними непровідними кришками або стрічкою. Чи не переносьте акумулятори, тріснути або бігу. Зв'язатися з нами для отримання подальших рекомендацій.

ТЕХНІЧНЕ ОБСЛУГОВУВАННЯ

⚠ Попередження

Використовуйте тільки оригінальні запасні частини, аксесуари та обладнання від виробника. Невиконання цієї вимоги може привести до можливої травми, поганої продуктивності та може призвести до втрати гарантії.

⚠ Попередження

Обслуговування вимагає крайньої обережності і знання і повинно бути виконане тільки кваліфікованим фахівцем. Звертайтеся тільки до авторизованого сервісного центру. При технічному обслуговуванні використовуйте тільки ідентичні замінні частини.

- Зупиніть двигун, демонтуйте рукоятку та акумулятор. Переконайтеся, що всі рухомі частини повністю зупинилися перед очищенням або технічним обслуговуванням пристрою.
- Ви можете зробити регулювання та

ремонт, описані в цьому посібнику користувача. Для інших ремонтних робіт, зверніться до авторизованого сервісного агента.

- Замініть зношені або пошкоджені деталі.
- Регулярно перевіряйте травозбірник на наявність зносу, дірок або пошкоджень.
- Після кожного використання, очистіть виріб м'якою сухою тканиною. Будь-яка пошкоджена деталь, має бути правильно відремонтована або замінена в авторизованому сервісному центрі.
- Перевірте всі гайки, болти і гвинти після короткого проміжка часу на правильну герметичність, щоб забезпечити продукт у безпечному робочому стані.
- Під час налаштування інструмента слідкуйте, щоб пальці не потрапили між лезами, що обертаються, та нерухомими частинами інструмента.
- Коли Ви оглядаєте леза, пам'ятайте вони можуть продовжувати рухатись за інерцією навіть після вимкнення інструмента.
- Лезо виробу гостре. будьте вкрай обережні та здійсніте зборку, заміну запчастин, чищення чи перевірку затягування болтів у захисних рукавицях.
- Замініть зношені або пошкоджені компоненти, для збереження балансу.
- Болти леза мають бути затягнуті належним чином. **Дивиться рекомендації виробника щодо крутного моменту болта леза, який може бути знайдений в таблиці специфікацій пристрою у цьому керуванні з технічного обслуговування.**

ВИДАЛЕННЯМ ПЕРЕШКОД

- Зупиніть двигун, демонтуйте рукоятку та акумулятор. Переконайтеся, що всі рухомі частини зупинилися.
- Завжди носіть важкі захисні рукавички при перевірці і очищенні засмічення.
- Леза гострі та їх блокування може бути спричинене гострим предметом.
- Демонтуйте збирач трави, перевірте та видаліть забруднення.
- Перевірте жолоб викидання трави на закупорення та обережно очистіть.

- Переверніть пристрій на бік, перевірте днище пристрою та зону навколо леза. При наявності закупорення, обережно видаліть його. Пам'ятайте лезо може рухатись під час очищення.

НЕПЕРЕДБАЧЕНІ РИЗИКИ

Навіть за належного використання інструмента неможливо повністю нейтралізувати певні фактори залишкового ризику. Наступні небезпеки можуть виникати при використанні продукту та оператору слід звернути особливу увагу, щоб уникнути наступного:

- Травми спричинені вібрацією.
 - Завжди використовуйте для роботи правильний інструмент. Використовуйте призначені ручки і обмежіть час роботи і вплив.
- Травми, викликані шумом
 - Підвищений рівень шуму може спричинити пошкодження слуху. Надягайте захист для органів слуху та лімітуйте вплив.
- травми від контакту з лезами
- Травмування відлітаючими частками

ЗНИЖЕННЯ РИЗИКУ

Відомі випадки, коли вібрація від ручних інструментів сприяє появі так званого синдрому Рейно. Симптоми схожі на ті, що з'являються під впливом холоду, включаючи поколювання, оніміння та збліднення пальців. Вважається, що спадкові чинники, вплив холоду і сирості, харчування, куріння і деякі звички роботи сприяють розвитку цих симптомів. Можна прийняти деякі заходи, які можуть бути прийняті оператором, щоб зменшити вплив вібрації:

- Підтримувати температуру тіла в холодну погоду. При використанні інструменту надягайте рукавички, щоб тримати руки та зап'ястки у теплі. Згідно з дослідженнями, основний внесок в розвиток синдрому Рейно, є холодна погода.
- Вправа для активації кровообігу після кожного запуску.
- Регулярно йдуть на перерву. Лімітуйте кількість роботи на день.

Якщо ви виявили будь-який з цих

симптомів, негайно припиніть використання і зверніться до вашого лікаря згідно цих симптомів.

⚠ Попередження

Тривале використання інструменту може призвести до травмування або загострення існуючої травми. При використанні приладу протягом тривалого періоду часу, часті перерви.

ЗНАЙ СВІЙ ПРОДУКТ

Дивіться сторінку 193.

Частини

1. Ручка
2. Кнопка-перемикач
3. Кнопка запуску
4. Контрольний кабель двигуна
5. Тримач кабелю керування двигуном
6. Дверцята відсіку батареї
7. Кнопка на ручці
8. Індикатор заповненого коробу для трави
9. Травоуловлювач
10. Кришка жолоба для вивантаження
11. Фіксатор ручки
12. Заднє колесо
13. Регулятор висоти
14. Переднє колесо
15. Ключ запалення
16. Акумулятор
17. Зарядний пристрій
18. Заглушка для мульчування

СИМВОЛИ НА ПРОДУКТІ



Читайте і зрозумійте всі інструкції перед експлуатацією виробу, дотримуйтеся всіх вказівок і попереджень з техніки безпеки.



Одягайте засоби для захисту слуху.



Одягайте захисні окуляри



Не працюйте на ухилах більше 15°. При скошуванні на схилах переміщуйте косарку вздовж поверхні схилу, а не вверх-вниз.



Не піддавайте впливу дощу або вогкому стану.



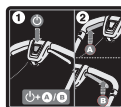
Пам'ятайте, що леза - дуже гострі. Після вимикання двигуна леза продовжують обертатися - Перед проведення технічного обслуговування витягніть ключ-роз'єднувач



Остерігайтеся кинутих або літаючих об'єктів. Тримайте всіх перехожих, особливо дітей і домашніх тварин, принаймні 15 м від робочої зони.



Ручка має 3 рівні регулювання висоти. Переконайтеся, що трубки встановлені правильно, особливо на найвищому рівні. Якщо ручка вставлена та зафіксована неправильно, вона може вислизнути з отворів.



Для початку роботи пристрою натисніть кнопку пуску (Start), а потім кнопку-перемикач (A або B). Відпустіть кнопку пуску (Start) та продовжуйте тримати кнопку-перемикач під час роботи косарки. Для зупинення роботи інструмента відпустіть кнопку-перемикач.



Пуск



Стоп



Перед початком роботи с пристроєм уважно прочитайте інструкції.



Не викидати відпрацьовані електричні прилади разом із побутовими відходами. Утилізувати у спеціально призначених закладах. За консультацією по утилізації приладу зверніться до органу місцевої влади або дилеру.



Відповідає всім нормативним стандартам в країнах ЄС, де виріб було придбано.



Євразійська знак відповідності.



Український знак відповідності.



Гарантований рівень звуку, показаний на цьому малюнку, становить 96 дБ.



Попередження

Наступні сигнальні слова і змісти призначені для пояснення рівнів ризику, пов'язаних з продуктом:

НЕБЕЗПЕКА

Вказує на неминуче небезпечну ситуацію, яка, якщо її не уникнути, може призвести до смерті або серйозних травм.

ПОПЕРЕДЖЕННЯ

Вказує на потенційно небезпечну ситуацію, яка, якщо її не уникнути, може призвести до смерті або серйозних травм.

УВАГА

Вказує на потенційно небезпечну ситуацію, яка, якщо її не уникнути, може призвести до легкої або середньої травми.

УВАГА

(Без попереджуючих символів) Вказує на ситуацію, яка може призвести до пошкодження майна.

СИМВОЛИ В ЦЬОМУ ПОСІБНИКУ



Запчастини та аксесуари, що продаються окремо



ПРИМІТКА

Kablosuz çim biçme makinesinin tasarımında en yüksek önceliği güvenlik, performans ve güvenilirliğe verdik.

KULLANIM AMACI

Kablosuz çim biçme makinesi yalnızca dış mekanlarda kullanılmalıdır.

Ürün ev çimlerinin biçilmesi için tasarlanmıştır. Kesme bıçağı yaklaşık olarak üzerinden geçilen yere paralel şekilde dönmelidir. Dört tekerleğin tamamı çim biçme işlemi sırasında yere temas etmelidir. Ürün arkasından elle itilerek ayakta kullanılan bir çim biçme makinesidir.

Ürün asla tekerlekleri toprağa değmez halde çalıştırılmamalı, çekilmemeli ya da üzerine binilmemelidir. Bahçe çimi dışında herhangi bir şey kesmek için kullanılmamalıdır.

Başka herhangi bir amaçla kullanmayın.

GENEL GÜVENLİK UYARILARI

⚠ UYARI

Bu ürünü kullanırken güvenlik kurallarına uyulmalıdır. Kendi güvenliğiniz ve çevrenizdeki kişilerin güvenliği için ürünü kullanmadan önce bu talimatları tamamen okumalı ve anlamalısınız. Lütfen bu talimatları daha sonra kullanmak üzere güvenli bir yerde saklayın.

⚠ UYARI

Ürün sadece bu kılavuzda belirtilen pil paketleriyle çalıştırılmalıdır. Pille çalışan ürün kullanırken yangın, pil akması ve kişisel yaralanma risklerini azaltmak için her zaman temel emniyet önlemlerinin alınması gereklidir.

KİŞİSEL GÜVENLİK

- Ürün el ve ayakları kesebilir, cisimler fırlatabilir. Güvenlik talimatlarına tamamen uyulmaması ciddi yaralanmalara veya ölüme neden olabilir.
- Ürünün kontrollerini ve nasıl doğru şekilde kullanılacağını öğrenin.
- Çocuklar ya da kısıtlı fiziksel, duyuşal ya da zihinsel becerilere sahip ya da bu talimatlara aşina olmayan kişilerin ürünü çalıştırma, temizleme ya da bakım yapmasına asla izin vermeyin. Yerel

yönetmelikler kullanıcının yaşına kısıtlama getirebilir. Ürünle oynamadıklarından emin olmak için çocuklara uygun şekilde nezaret edilmelidir.

- Tetikte olun, yaptığınız işi izleyin ve ürünü kullanırken sağduyunuzu kullanın. Ürünü hiçbir zaman yorgunken, hastayken veya alkol, uyuşturucu veya ilaç etkisi altındayken kullanmayın. Ürünü kullanırken konsantrasyon eksikliği ciddi kişisel yaralanmaya yol açabilir.
- Ağır, uzun pantolon, uzun kollu kıyafetler ve kaymaz ayakkabı giyin. Kısa pantolon ve sandalet kullanmayın, yalınayak çalışmayın. Üzerinize bol olan veya iplerin veya bağcıkların sarktığı kıyafetler giymekten kaçının.
- Her zaman yan siperlere sahip güvenlik gözlükleri takın.
- Eğimli yerlerde yere her zaman sağlam bastığınızdan emin olun. Yere sağlam basın ve dengede durun. Yürüyün, hiçbir zaman koşmayın.
- Ürünü yamaçlarda yukarı veya aşağıya doğru değil, yamaç boyunca kullanın. Eğimler üzerinde yön değiştirirken çok dikkatli olun.
- Ürünü çukurların, hendeklerin, çok dik eğimlerin ya da setlerin yakınında kullanmayın. Yere sağlam basmamak kayma ve düşme kazalarına neden olabilir.

ÇALIŞMA ALANI GÜVENLİĞİ

- Bıçakla temas eden nesnelere fırlama tehlikesi olduğundan 15 metre civarınızda kişiler, özellikle çocuklar ve evcil hayvanlar varsa ürünü hiçbir zaman kullanmayın.
- Çim biçme makinesinin bıçağına çarpan nesnelere ciddi fiziksel yaralanmalara neden olabilir. Makinenin kullanılacağı alanı iyice inceleyin ve tüm kayaları, tahta parçalarını, metalleri, kemikleri, oyuncakları veya diğer yabancı nesnelere temizleyin. İp ya da kablonun kesme araçlarına dolanabileceğini unutmayın.
- Ürünü gün ışığında ya da iyi yapay aydınlatmayla kullanın.
- Ürünü alev alabilen sıvı, gaz ya da tozun bulunduğu patlayıcı atmosferlerde kullanmayın. Ürün doz ya da dumana yol açan kıvılcımlar üretir.
- Makineyi ıslak çim üzerinde veya yağmurda

kullanmayın.

- Gök gürültülü fırtına ya da şimşek çakması olasılığı olduğunda ürünü kullanmayın.
- Kazalardan ve diğer insanlara veya mallarına zarar verebilecek tehlikelerden kullanıcının sorumlu olduğunu unutmayın.
- Eğer kullanıcı çocuklara karşı tetikte olmazsa trajik kazalar meydana gelebilir. Makine ve çim biçme faaliyeti genellikle çocukların ilgisini çeker. Hiçbir zaman çocukların onları en son gördüğünüz yerde kalacağını varsaymayın.
- Çocukları biçilen alanın dışında ve kullanıcı dışında yetişkin birinin dikkatli gözetimi altında tutun, dikkatli olun ve alana çocuk girdiğinde ürünü kapatın.
- Görüşünüzü engelleyebilecek kör köşeler, çalılar, ağaçlar ya da asılı çalılar dahil diğer nesnelere yaklaşırken ekstra dikkatli olun.

PİLLİ ALET KULLANIMI VE BAKIMI

- Piliniz ve şarj cihazınız ile birlikte temin edilen emniyet talimatlarını okuyun, anlayın ve her zaman uygulayın. Aksi halde elektrik çarpması, yangın ya da diğer tehlikeli durumlarla karşı karşıya kalabilirsiniz. Daha sonra ulaşabilmeniz için tüm talimatları birlikte emniyetli bir yerde saklayın.
- Bataryalı aletlerin elektrik prizine takılması gerekmez; dolayısıyla her zaman çalışır durumdadırlar. Ürünü kullanmadığınız zamanlarda yalıtkan anahtarını çıkarın.
- Herhangi bir ayarlama, temizlik işleminden ya da üründen materyal çıkartmadan önce pil paketini çıkarın.
- Pil paketini takmadan önce yalıtkan anahtarının çıkarıldığından emin olun.
- Pil paketi yalnızca üreticinin belirttiği şarj cihazı ile tekrar şarj edilmelidir. Pil paketi ile uyumlu olmayan şarj cihazı kullanımı yangın riskine yol açabilir. Batarya takımını sadece önerilen şarj cihazı ile birlikte kullanın.
- Yalnızca özellikle ürün için üretilmiş pil paketi kullanın. Farklı pil paketlerinin kullanımı yangın, elektrik çarpması ya da kişilerin yaralanması riskine yol açabilir.
- **Pil takımı kullanılmadığı zaman ataş, bozuk para, anahtar, çivi, vida ve diğer metal nesnelere gibi bir terminalden diğerine bağlantı oluşturabilecek diğer**

metal nesnelere uzak tutun. Pil paketi kutularının temas etmesi kıvılcım, yanık, yangın ya da patlamaya neden olabilir.

- Bataryalı aletleri veya bataryalarını ateş veya ısı kaynağının yakınına koymayın. Bu durum patlama ve olası yaralanma riskini artırır.
- Pil paketini açmayın ya da tahrip etmeyin. Ortaya çıkan elektrolit aşındırıcıdır ve göz ya da cilde zarar verebilir. Yutulduğunda zehirli olabilir.
- Pil paketini nem ve sudan uzak tutun. Ürünü nemli ya da ıslak bir yerde şarj etmeyin. Bu kurala uymak elektrik çarpması riskini azaltır.
- Pil hasar gördüğünde ya da uygunsuz kullanıldığında, buhar yayılabilir. Şikayet ortaya çıkması durumunda temiz hava sağlayın ve tıbbi yardım isteyin. Buhar solunum sistemini rahatsız edebilir.
- Pil paketini sıcak ya da soğuk durumlarda araç içinde bırakmayın.
- Pili yakmayın.
- Kötü koşullarda pilden sıvı boşalabilir; temas etmekten kaçının. Eğer kazara temas ederseniz temas eden yeri suyla yıkayın. Eğer sıvı gözlerinize temas ederse ek olarak tıbbi yardım alın. Pilden boşalan sıvı tahrişe veya yanıklara neden olabilir.

ÇİM BİÇME MAKİNESİ GÜVENLİK UYARILARI

- Kullanmadan önce bıçakların, bıçak cıvatalarının ve kesici düzeneğinin aşınmadığından veya zarar görmediğinden emin olmak için her zaman görsel olarak inceleyin.
- Eskimiş ya da hasar görmüş bıçak ve cıvataları balans bozulmaması için setler halinde değiştirin.
- Ürün üzerindeki bıçak keskindir. Bıçağı takarken, değiştirirken, temizler ya da cıvataların sağlığını kontrol ederken ağır iş eldivenleri kullanın.
- Zarar görmüş veya okunmaz durumdaki etiketleri değiştirmek için yetkili bir servis merkezine gönderin.
- Ürünün güvenli çalışma durumunda olduğundan emin olmak için tüm somunların, cıvataların ve vidaların doğru sıklıkta sık aralıklarla takıldığını kontrol edin.



- Çim toplama sepetini aşınmaya, delinmeye veya şekil bozulmasına karşı sık sık kontrol edin.
- Ürünü kullanmadan önce aşınan veya zarar göre parçaları değiştirin.
- Ürün, operatör emniyet bölgesinde, ürün tutacaklarının arkasındayken çalıştırılmalıdır. Aşağıdaki durumlarda ürünü asla çalıştırmayın:
 - dört tekerleğin hepsi yerde değilse
 - çim atma kanalı açıktadır ve çim kutusu ya da çim atma kanalı kapağı ile korunmamaktadır
 - tüm kişilerin el ve ayakları kesme kutusundan uzakta değilse
- Tutacak üzerindeki açma kapama düğmesi ürünü düzgün şekilde çalıştırıp durdurmuyorsa ürünü asla kullanmayın.
- Açma kapama düğmesini asla sabitlemeye çalışmayın, bu çok tehlikelidir.
- Ürünü zorlamayın. Tasarlandığı hızda çalışmayı daha iyi ve daha güvenli bir şekilde yapacaktır.
- Asfalt kaplı yüzeylere geldiğinizde bıçağı durdurun.
- Mutlaka gerekmedikçe, ürünü geriye doğru çekmeyin. Makineyi bir duvardan veya engelden geriye doğru çekip uzaklaştırmanız gerekirse makinenin ayağınızın üzerine devrilmesini veya üzerinden geçmesini önlemek için önce aşağı ve geriye doğru bakın.
- Çim dışındaki yüzeylerden geçerken taşıma esnasında ürünün yana yatması gerekiyorsa ve çim biçme alanına ya da alanından taşırken ürünü durdurun ve bıçağın durmasını bekleyin.
- Ürün üzerinde hatalı koruma ya da kalkanlar varken veya deflektör ve/veya çim kutuları gibi emniyet araçları takılı değilken asla ürünü kullanmayın.
- Motoru çalıştırırken ya da motor çalışırken ürünü yana yatırmayın. Kesinlikle gerekliyse başlatmayı kolaylaştırmak için çim biçme makinesinin önünü en fazla 5 cm kaldırabilirsiniz. Bunun için gidonu aşağıya doğru bastırın. Kesim işlemine başlamadan önce her zaman biçme makinesini dört tekerleği de zeminde olacak şekilde normal konumuna alın. Biçme makinesi eğildiğinde bıçak görünür olur ve nesnelere fırlaması ve bıçakla kazara temas olasılığı artar.
- Talimatları dikkatlice takip ederek motoru çalıştırın ve el ile ayaklarınızı bıçaklardan uzak tutun. El ve ayakları döner parçaların altına koymayın.
- Ürünü çalışır konumdayken asla kaldırmayın ya da taşımayın.
- Ürünü durdurun, izolatör anahtarını ve pili çıkarın. Tüm hareketli parçaların tamamen durduğundan emin olun:
 - ürünü tek başına her bıraktığınızda (biçilen çimleri boşaltırken de)
 - bir tıkanıklığı temizlerken ya da boşaltma kanalındaki tıkanıklığı açarken
 - ürünü kontrol etme, temizleme ve ürün üzerinde çalışmadan önce
 - çim kutusunu çıkarmadan ya da çim boşaltma kanal kapağını açmadan önce
 - yabancı bir nesneye çarptıktan sonra; cihazı hasara karşı inceleyin ve makineyi yeniden çalıştırmadan ve kullanmadan önce gerekli onarımları yapın.
 - eğer ürünler anormal şekilde titremeye başlarsa (derhal inceleyin)
 - özellikle bıçaklardaki hasarları incelerken
 - tüm hasarlı parçaları değiştirin veya onarın
 - Herhangi bir gevşek parçaya karşı kontrol edin ve sıkın
- Deliklerden, oluklardan, tümseklerden, kayalardan, temel kazıklarından veya diğer gizli nesnelere kaçının. Düz olmayan araziler kayma ve düşme kazalarına neden olabilir.
- Her zaman motor kontrol kablosunun montaj esnasında veya tutacağı katlarken takılmadığından ya da sıkışmadığından emin olun.

PİL İÇİN EK GÜVENLİK UYARILARI

⚠ UYARI

Bir kısa devreden kaynaklanan yangın, yaralanma veya ürün hasarları tehlikesini önlemek için aleti, güç paketini veya şarj cihazını asla sıvıların içine daldırmayınız ve cihazların ve pillerin içine sıvı girmesini önleyiniz. Tuzlu su, belirli kimyasallar, ağartıcı madde veya ağartıcı madde içeren ürünler gibi korozif veya iletken sıvılar kısa devreye neden olabilir.



ÜRÜN ÖZELLİKLERİ

AŞIRI YÜK VE AŞIRI ISINMA KORUMASI

Ürün bir aşırı yük koruması cihazına sahiptir. Aşırı yüklenme belirlendiğinde ürün otomatik olarak kapanacaktır. Aşırı yük koruyucu devredeyse açma kapama düğmesi bırakılmalıdır. Ürünü yeniden başlatmak için açma kapama düğmesine basın.

Pil paketi aşırı ısınma koruması. Aşırı sıcaklıklar bataryanın alete güç sağlamayı kesmesine neden olur. Pil paketine dokunun; aşırı sıcaksa çalışmaya devam etmeden önce soğumasını bekleyin. Eğer alet hâlâ çalışmıyorsa bataryayı şarj edin.

NOT: Eğer bataryanın alete güç sağlamasını kesmesine batarya koruma özelliği neden olmuşsa batarya takımı göstergesi LED'i çalışmaz. Açma kapama düğmesini bırakın ya da pil paketini üründen çıkarın ve pil paketi LED göstergesi normal işlevine geri dönecektir.

GENEL ÇİM BİÇME İPUÇLARI

Pilin çalışma süresi çimin durumu, uzunluğu ve yoğunluğuna bağlıdır.

Bıçilecek çimin mevcut durumuna uyacak şekilde çim biçme makinesinin yüksekliğini ayarlayın.

Çim koşulları	Önerilen yükseklik ayarı		Kapsam (maksimum)	
	İlk geçiş	Sonraki geçişler	Pil 4 Ah	Pil 5 Ah
Çok ince / Kuru	3	2	200 m ²	250 m ²
İnce / Kuru	4	3 → 2	150 m ²	200 m ²
Orta / Yoğun	5	4 → 3	100 m ²	150 m ²

* Pil: RB18L40

- En iyi performans için her zaman toplam çim yüksekliğinin üçte biri veya daha az uzunlukta kesim yapın.
- Uzun çimleri keserken daha etkili kesim yapmak ve kırıntıların doğru şekilde boşaltılmasını sağlamak için yürüyüş hızınızı azaltın.
- Çimleri ıslakken kesmeyin. Aksi halde kesilmiş çimler ürünün alt tarafına yapışır ve çimlerin düzgün şekilde birikip atılması zorlaşır.

- Yeni ya da kalın çim için kesme yüksekliğinin artırılması gerekebilir.
- Kesilen çimleri atmak için toplamak istiyorsanız, malçlama tapasını çıkarın ve çim yakalayıcıyı oturtun, çim tahliye kanalının düzgün bir şekilde kapatıldığından emin olun. Çim kutusunu düzenli aralıklarla boşaltın, aksi halde biçilen çim boşaltma kanalını tıkayacaktır.
- Hafif bir kesim yapıyor ve çim kesiklerinin çimende kalmasını istiyorsanız, tahliye ağzını kapatmak için malçlama tıkaçını takın ve ot tahliye kanalının kapağını kapatın. Bu durumda ot tutucuyu takmak gerekmez.
- Ürün ileri doğru hareket ederken etkin çalışacak ve kesecek şekilde tasarlanmıştır.
- Yüksek kesme yüksekliği ile pilin çalışma süresi uzun olacaktır.

TAŞIMA VE DEPOLAMA

- Ürünü durdurun, izolatör anahtarını ve pili çıkarın. Tüm hareketli parçaların tamamen durduğundan emin olun. Depolamadan ya da bir taşımadan önce ürünün soğuması için zaman tanıyın.
- Üründeki tüm yabancı maddeleri temizleyin. Çocukların erişemeyeceği serin, kuru ve iyi havalandırılan bir yerde depolayın. Bahçe kimyasalları ve buz çözücü tuzlar gibi korozif maddelerden uzak tutun. Açık alanda depolamayın.
- Araç içerisinde taşınacaksa izolatör anahtarını çıkarın ve kişilere ve ürüne zarar gelmemesi ya da yakıt dökülmemesi için ürünü hareket ettirmeyecek ya da düşmeyecek şekilde sabitleyin.

⚠ UYARI

Ürünü bakım, temizlik, depolama ya da taşıma için kaldırdığınız ya da eğdiğinizde çok dikkatli olun, bıçak keskindir ve açıktayken tüm vücut parçalarını bıçaktan uzak tutun.

LİTYUM BATARYALARIN TAŞINMASI

Bataryayı yerel ve ulusal hükümlere ve yönetmeliklere uygun şekilde taşıyın.

Bataryalar üçüncü bir şahıs tarafından taşındığında ambalaj ve etiket üzerindeki tüm

özel koşullara uyun. Açığıtaki konnektörleri yalıtkan, iletken olmayan başlıklar veya bant ile koruyarak hiçbir bataryanın taşıma sırasında diğer bataryalarla veya iletken malzemelerle temas etmediğinden emin olun. Çatlak veya sızdıran bataryaları taşımayın. Ek tavsiye için nakliye şirketi ile birlikte kontrol edin.

BAKIM

⚠ UYARI

Sadece orijinal üreticinin yedek parçalarını, aksesuarlarını ve ek parçalarını kullanın. Aksi hâlde olası yaralanmalara, zayıf performansa neden olabilir ve garantinizi geçersiz kılabilir.

⚠ UYARI

Servis çalışması en yüksek düzeyde dikkat ve bilgi gerektirir ve sadece nitelikli bir servis teknisyeni tarafından yapılmalıdır. Ürünün servis işlemlerini sadece yetkili bir servis merkezinde yaptırın. Servis yapılırken sadece aynı yedek parçaları kullanın.

- Ürünü durdurun, izolatör anahtarını ve pili çıkarın. Temizlik ya da bakım işlemine başlamadan önce hareketli tüm parçaların tamamen durduğundan emin olun.
- Burada açıklanan ayar ve onarım çalışmalarını yapabilirsiniz. Diğer onarımlar için yetkili servis temsilcisini arayın.
- Güvenliğiniz için, aşınmış veya hasarlı parçaları değiştirin.
- Çim toplama sepetini aşınmaya veya şekil bozulmasına karşı sık sık kontrol edin.
- Her kullanım sonrası ürünü yumuşak ve kuru bir bezle temizleyin. Hasarlı her tür parça yetkili servis merkezi tarafından uygun şekilde onarılmalı veya değiştirilmelidir.
- Ürünün güvenli çalışma durumunda olduğundan emin olmak için tüm somunların, civataların ve vidaların doğru sıklıkta sık aralıklarla takıldığını kontrol edin.
- Parmaklarınızın hareketli bıçaklar ve makinenin sabit parçaları arasına sıkışmasını önlemek için makine üzerinde ayar yaparken dikkatli olun.
- Bıçaklarla ilgilenirken güç kaynağı kesilmiş

olmasına rağmen bıçakların hala hareket ettirilebileceğine dikkat edin.

- Ürün üzerindeki bıçak keskindir. Bıçağı takarken, değiştirirken, temizler ya da civataların sağlamlığını kontrol ederken ağır iş eldivenleri kullanın.
- Hasar görmüş bıçak ve civataları balans bozulmaması için setler halinde değiştirin.
- Bıçak civatalarının yeterli şekilde sıkılması gerekir. **Bıçak civatası torku için bu kılavuzun ürün spesifikasyonları tablosunda bulabileceğini üreticinin tavsiye ettiği değerlere bakın.**

TIKANIKLIKLARIN GİDERİLMESİ

- Ürünü durdurun, izolatör anahtarını ve pili çıkarın. Tüm hareketli parçaların tamamen durduğundan emin olun.
- Tıkanıklığı kontrol ederken ve giderirken her zaman ağır işe uygun koruyucu eldiven takın.
- Bıçaklar keskindir ve tıkanıklığa neden olan keskin bir cisim olabilir.
- Çim yakalayıcıyı çıkarın ve engel olup olmadığını kontrol edip engelleri giderin.
- Çim atma kanalını kontrol edin ve tıkanıklık varsa temizleyin.
- Ürünü yana yatırın, altını ve bıçağın etrafını kontrol edin. Tıkanıklık varsa dikkatlice giderin. Temizlik esnasında bıçağın hareket edebileceğini unutmayın.

ARTIK RİSKLER

Ürün belirtilen şekilde kullanıldığında bile belirli artık risk faktörlerini tamamen ortadan kaldırmak mümkün değildir. Kullanım sırasında aşağıdaki tehlikeler ortaya çıkabilir ve kullanıcının aşağıdaki durumları önlemek için özellikle dikkatli olması gerekir:

- Titreşim nedeniyle yaralanma.
 - İş için her zaman doğru aleti kullanın. Belirtilen kulpları kullanın ve çalışma ve maruz kalma süresini sınırlandırın.
- Gürültü nedeniyle yaralanma
 - Gürültüye maruz kalmak işitme sorunlarına neden olabilir. Kulak tıkacı takın ve maruz kalma süresini sınırlandırın.
- bıçaklara temastan yaralanmalar
- fırlayan nesnelere yaralanmalar

RİSK AZALTMA

El aletlerinden kaynaklanan titreşimlerin belirli kişilerde Raynaud Sendromu adı verilen bir durumu etkilediği bildirilmiştir. Semptomlar içerisinde parmaklarda genellikle soğuğa maruz kaldığında açığa çıkan karıncalanma, hissizlik ve ağarma yer bulunabilir. Kalıtsal faktörler, soğuğa ve neme maruz kalma, diyet, sigara içme ve çalışma uygulamalarının hepsinin bu semptomların gelişimini etkilediği düşünülmektedir. Titreşim etkilerini azaltmak için kullanıcı tarafından alınabilecek önlemler vardır:

- Soğuk havada vücut ısınızızı koruyun. Ürünü kullanırken ellerinizi ve bileklerinizi sıcak tutmak için eldiven giyin. Soğuk havanın Raynaud Sendromu'nu etkileyen önemli bir faktör olduğu bildirilmiştir.
- Her kullanım süresinden sonra kan dolaşımını artırmak için egzersiz yapın.
- Sık çalışma molası verin. Günlük maruz kalma miktarını sınırlayın.

Eğer bu durumla ilgili herhangi bir semptom görürseniz çalışmayı derhal bırakın ve doktorunuza başvurun.

⚠ UYARI

Ürünün uzun süre kullanılması nedeniyle yaralanmalar meydana gelebilir veya kötüleşebilir. Herhangi bir alet uzun süre kullanıldığında düzenli molalar verdiğinizden emin olun.

ÜRÜNÜNÜZÜ TANIYIN

Bkz. sayfa 193.

Parçalar

1. Kulp
2. Açma kapama düğmesine
3. Başlatma butonu
4. Motor kontrol kablosu
5. Motor kontrol kablosu tutucu
6. Pil kapağı
7. Kulp Topuzu
8. Çim kutusu dolu göstergesi
9. Çim toplama sepeti
10. Çim tahliye kanal kapağı
11. Tutamak kilidi
12. Arka tekerlek
13. Yükseklik Ayar Kolu
14. Ön tekerlek

15. Yalıtım anahtarı
16. Pil
17. Şarj cihazı
18. Malçlama tapası

ÜRÜN ÜZERİNDEKİ SEMBOLLER



Ürünü kullanmadan önce tüm talimatları okuyun ve anlayın, tüm uyarılara ve güvenlik talimatlarına uyun.



Kulak tıkacı takın.



Koruyucu gözlük takın.



15°'den daha büyük eğimlerde kullanmayın. Çimleri eğim yüzeyine paralel şekilde biçin, hiçbir zaman yukarı veya aşağı doğru biçmeyin.



Ürünü yağmura veya nemli koşullara maruz bırakmayın.



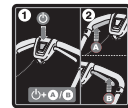
Keskin bıçaklara dikkat edin. Motor kapandıktan sonra da bıçaklar dönmeye devam eder. - Bakım öncesinde yalıtım anahtarını çıkarın.



Fırlayan ve sıçrayan nesnelere dikkat edin. Üçüncü şahısları, özellikle çocukları ve evcil hayvanları çalışma alanından en az 15 m uzakta tutun.



Tutamak yüksekliği 3 seviyede ayarlanabilir. Boruların özellikle en yüksek seviyede düzgün şekilde takıldığını kontrol edin. Tutamak doğru takılıp kilitlenmediyse deliklerden kayarak çıkabilir.



Ürünü çalıştırmak için Başlatma butonuna basın ve ardından Açma kapama butonuna (A ya da B) basın. Ürünü kullanmaya başlamak için Başlatma butonunu bırakın ve Açma kapama butonuna basmaya devam edin. Ürünü durdurmak için Açma kapama butonunu bırakın.



Git



Durdurmak



Lütfen makineyi çalıştırmadan önce talimatları dikkatlice okuyun.



Atık elektrikli ürünler evsel atıklarla birlikte atılmamalıdır. Lütfen tesislerin mevcut olduğu yerlerde geri dönüştürün. Geri dönüşüm tavsiyesi için bölgenizdeki yetkili merciye veya satıcıya başvurun.



Ürünün satın alındığı AB ülkesindeki tüm düzenleyici standartlara uygundur.



EurAsian Uygunluk İşareti



Ukrayna uygunluk işareti.



Güvenceli ses gücü seviyesi bu etikette 96 dB olarak gösterilmektedir.

BU KILAVUZDAKİ SEMBOLLER



Ayrı satılan parçalar veya aksesuarlar



Not



Uyari

EN

FR

DE

ES

IT

NL

PT

DA

SV

FI

NO

RU

PL

CS

HU

RO

LV

LT

ET

HR

SL

SK

BG

UK

TR

Aşağıdaki işaret sözcükler ve anlamları bu ürünle ilişkili risk seviyelerinin açıklanmasına yöneliktir:

TEHLİKE

Önlenmemesi durumunda ölüm veya ciddi yaralanma ile sonuçlanacak ciddi tehlike içeren bir durumu gösterir.

UYARI

Önlenmemesi durumunda ölüm veya ciddi yaralanma ile sonuçlanabilecek potansiyel olarak tehlikeli bir durumu gösterir.

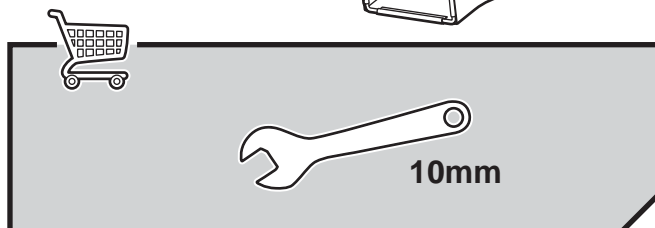
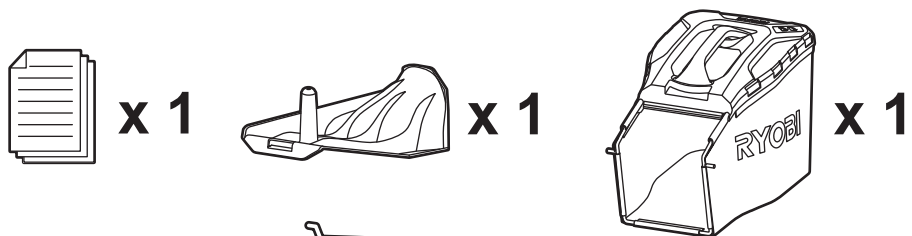
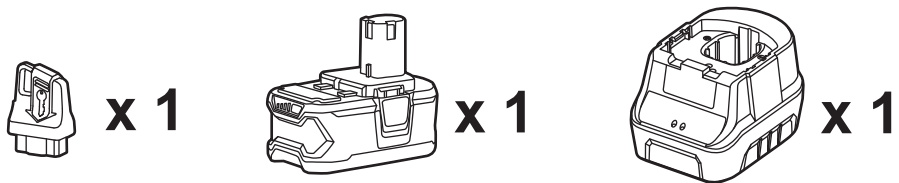
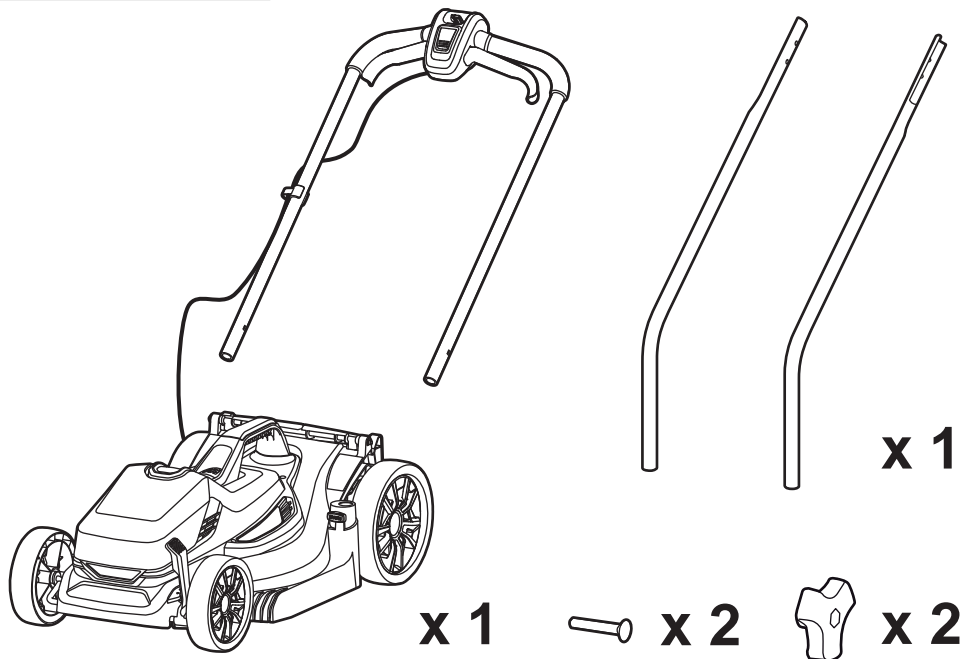
İKAZ

Önlenmemesi durumunda önemsiz veya orta derece yaralanma ile sonuçlanabilecek potansiyel olarak tehlikeli bir durumu gösterir.

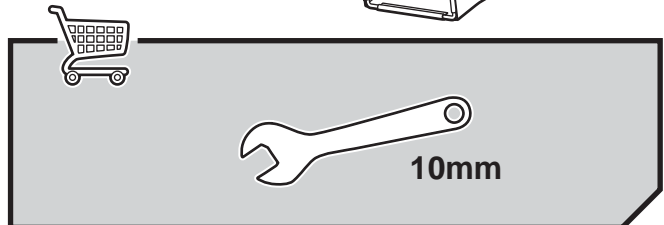
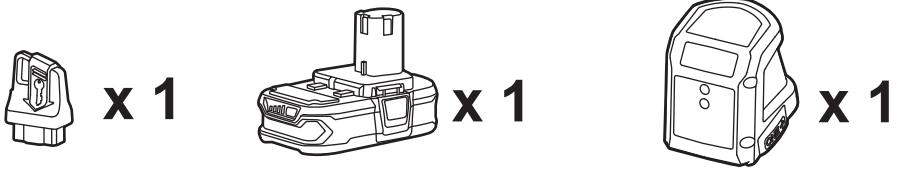
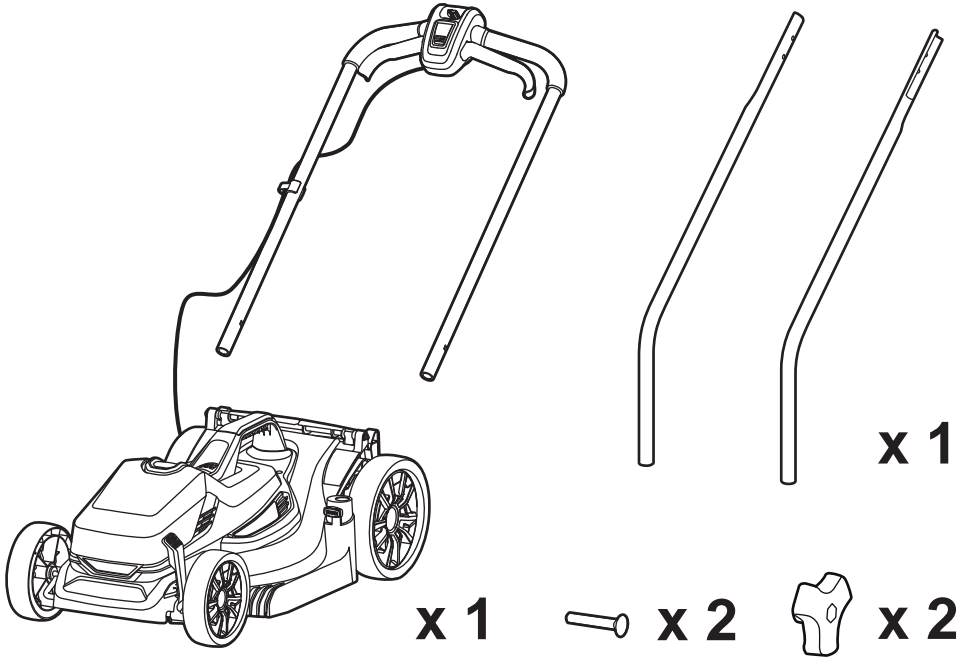
İKAZ

(Güvenlik Uyarısı Sembolü Olmadığında)
Maddi hasarla sonuçlanabilecek bir durumu gösterir.

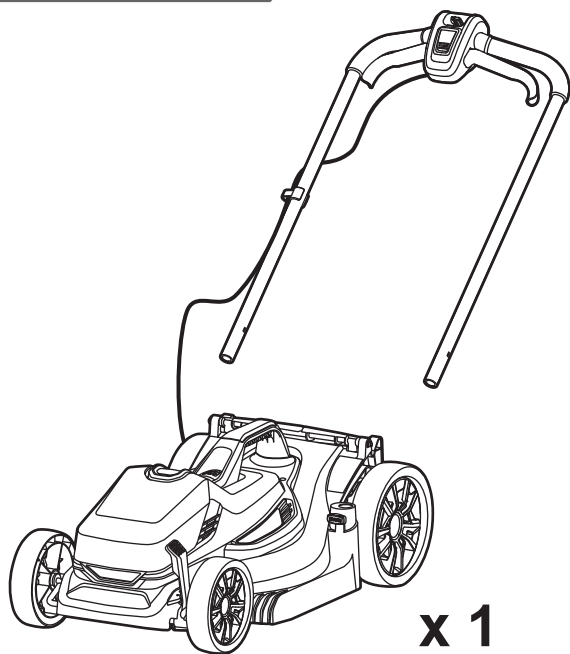
RLM18X33B40



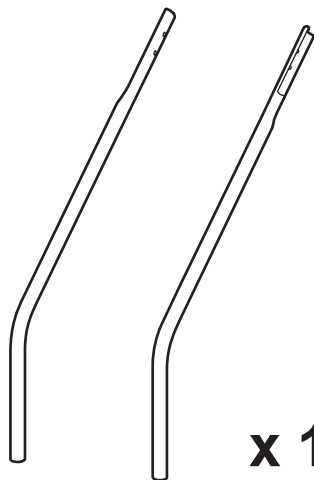
RLM18C33B25



OLM1833B



x 1



x 1



x 1



x 2



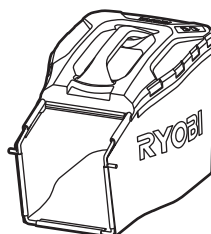
x 2



x 1



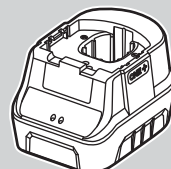
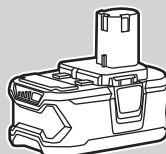
x 1

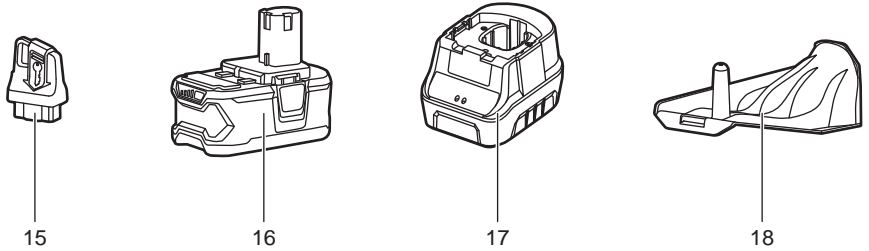
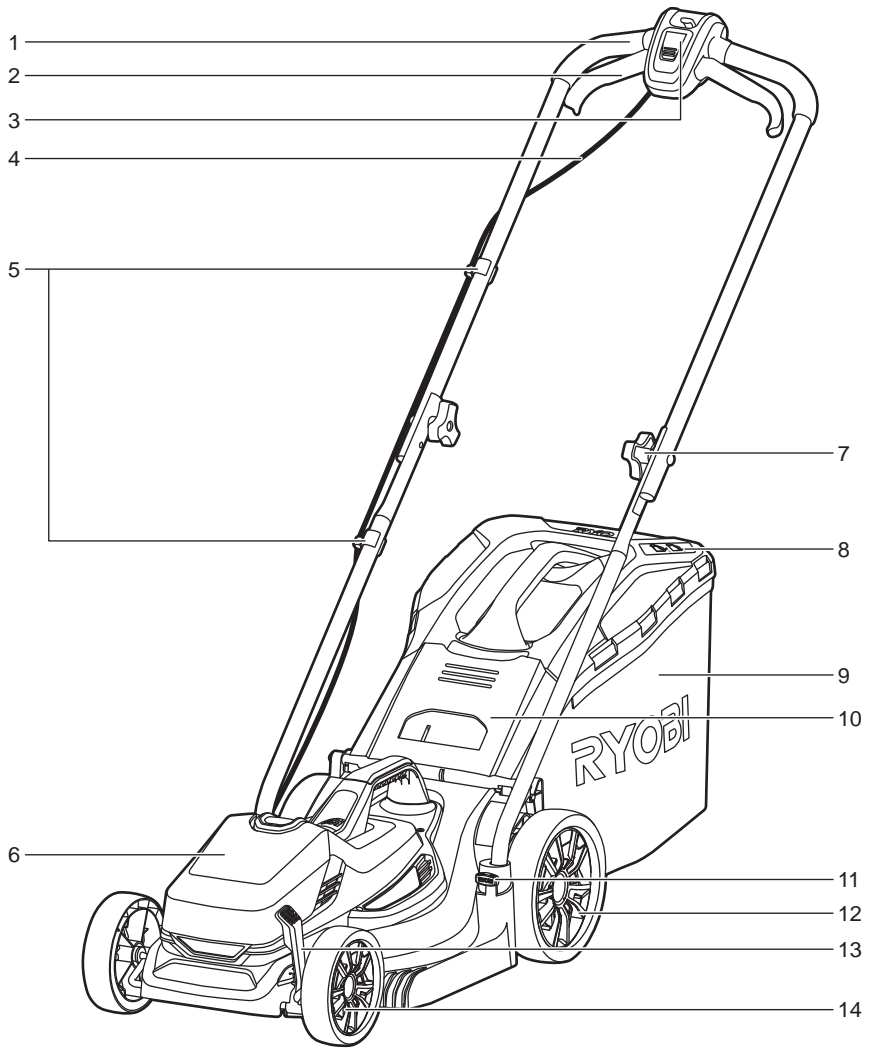


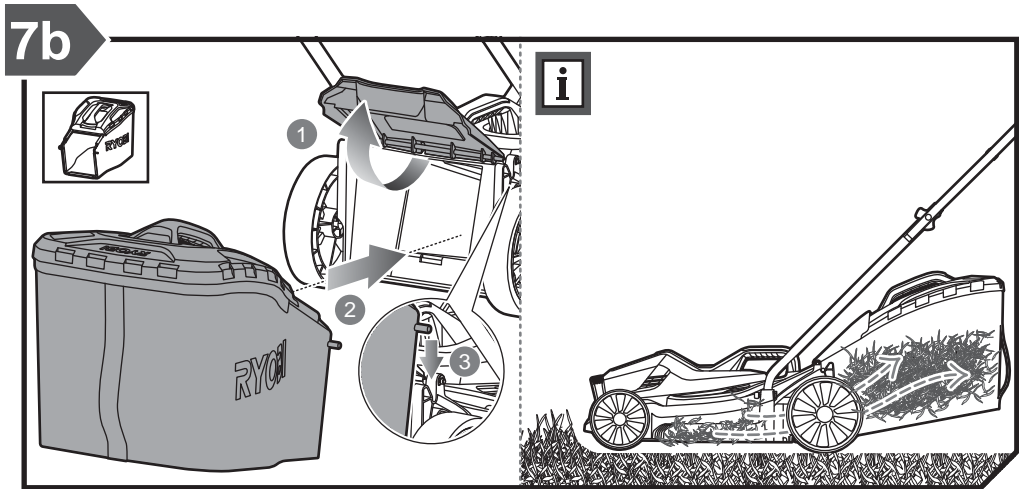
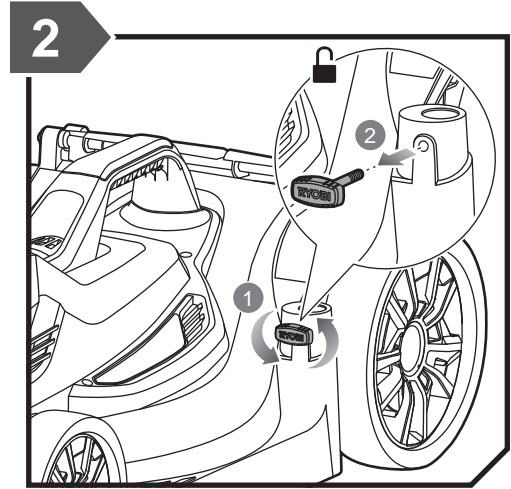
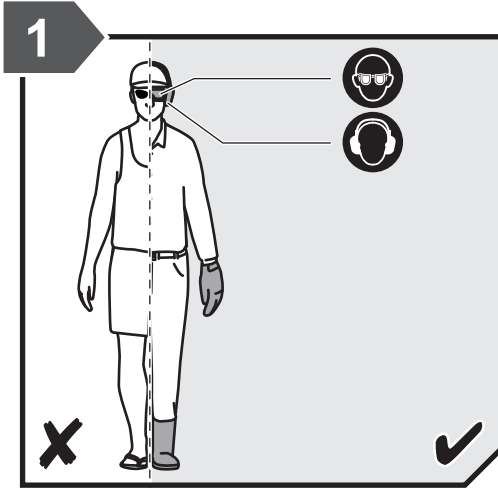
x 1

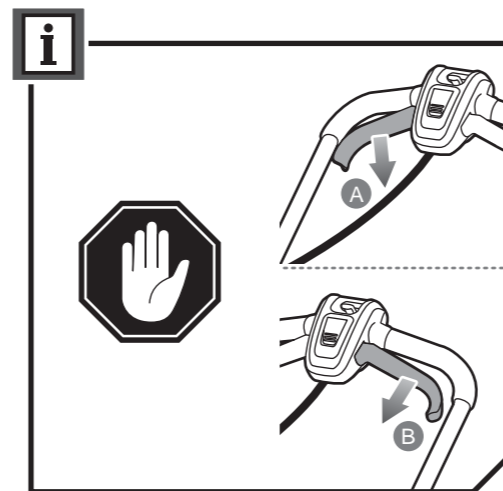
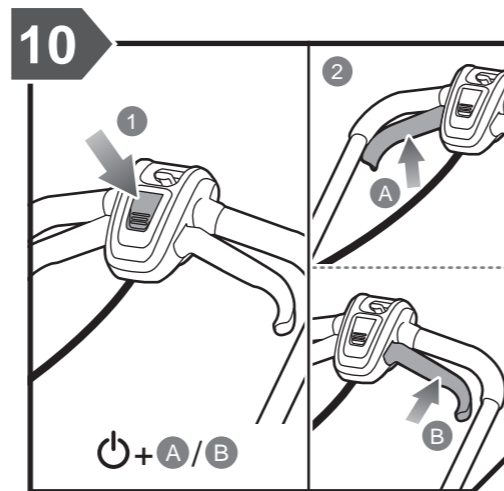
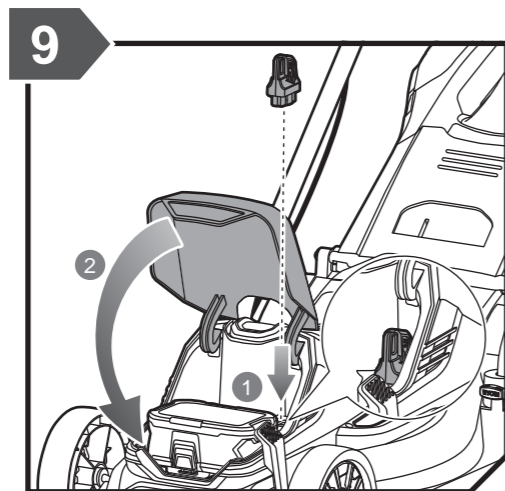
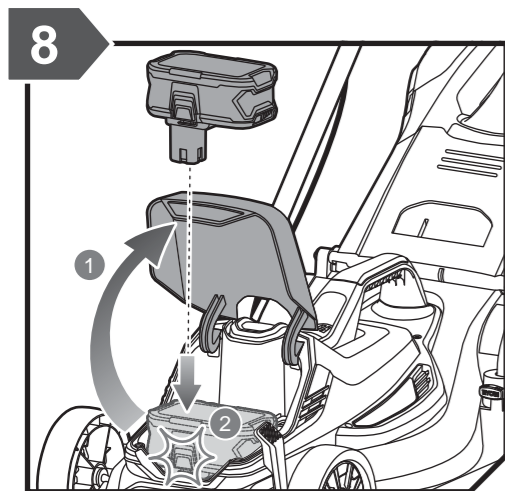
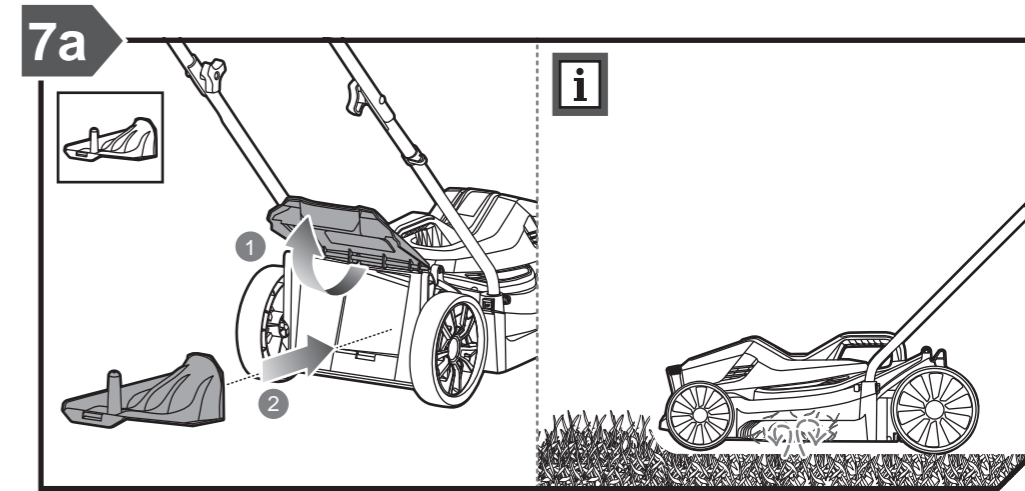
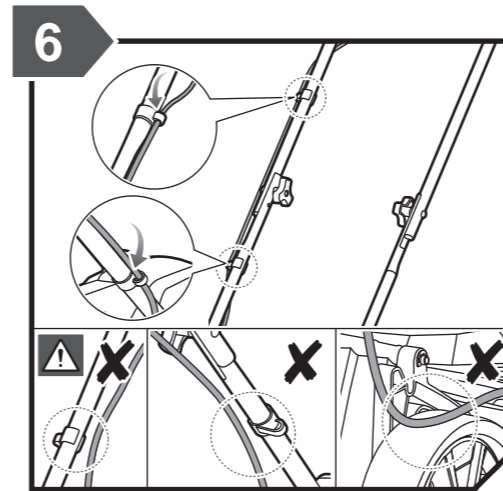
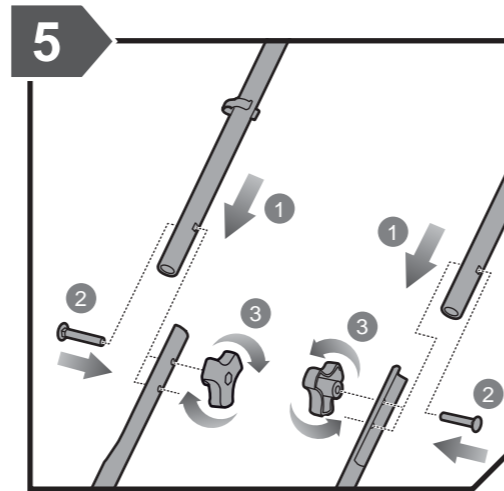
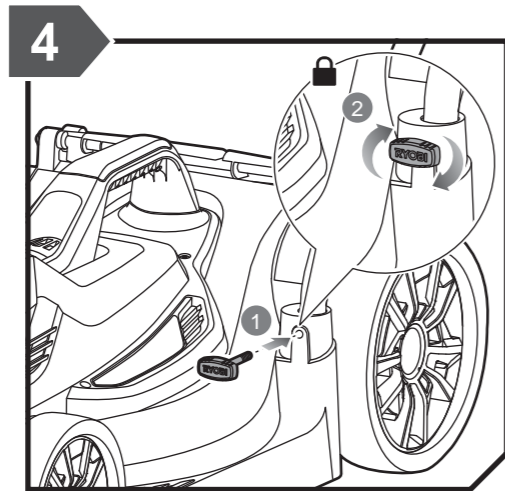
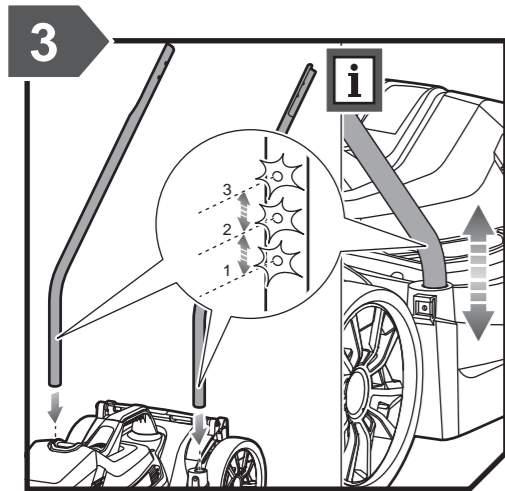


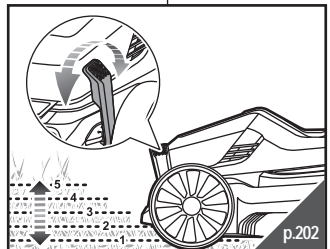
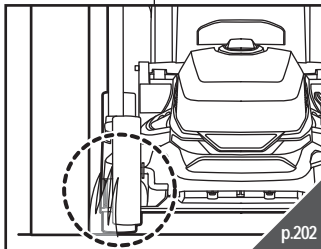
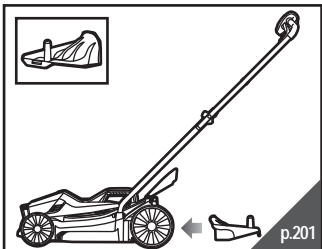
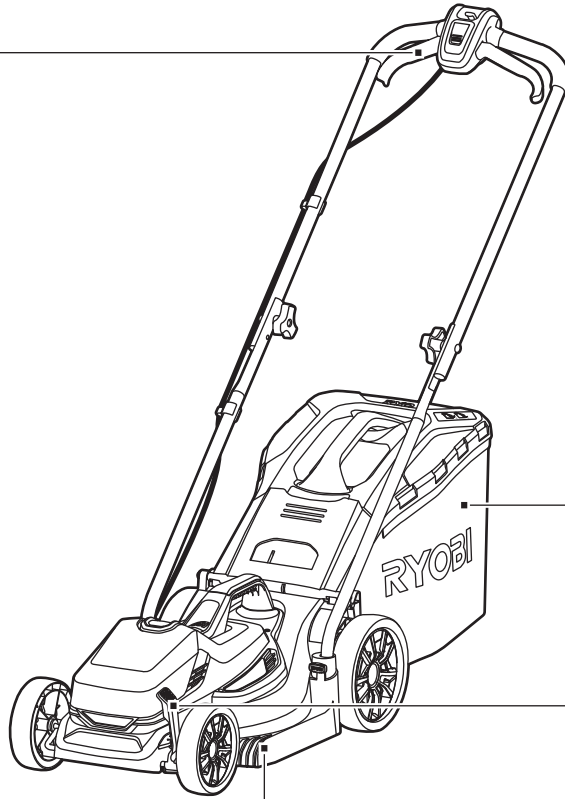
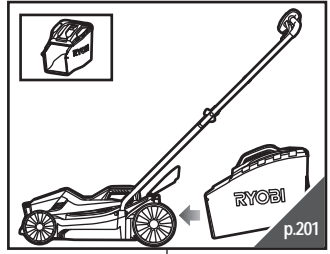
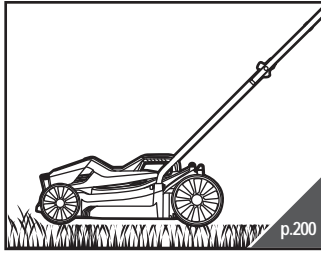
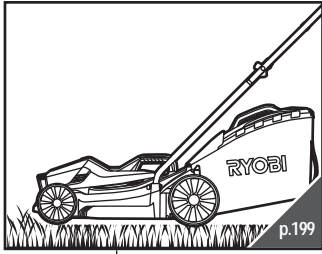
10 mm

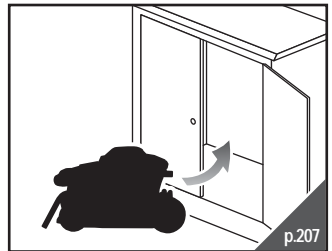
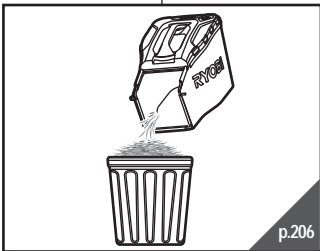
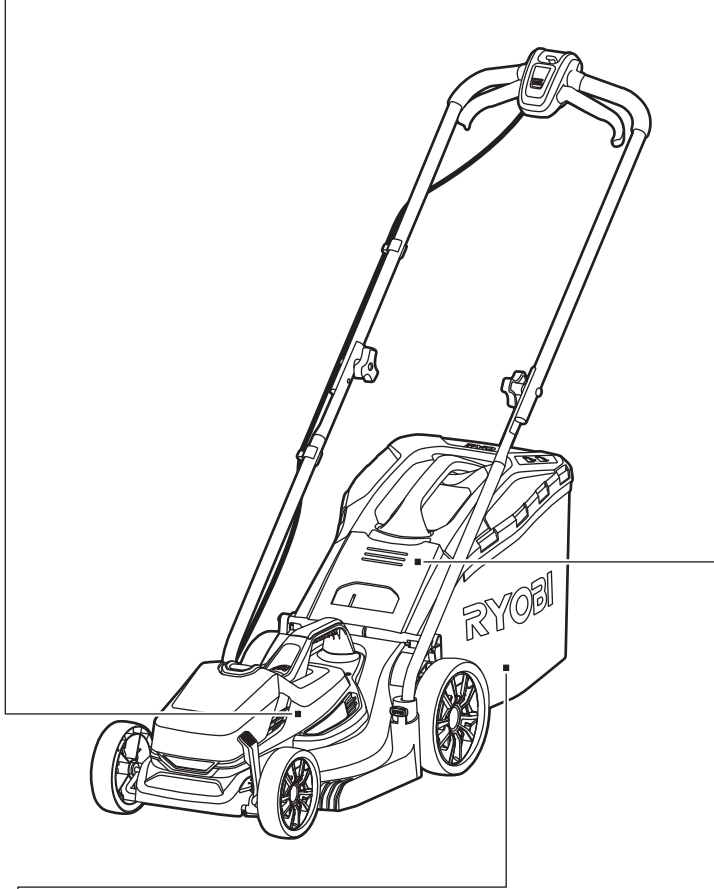
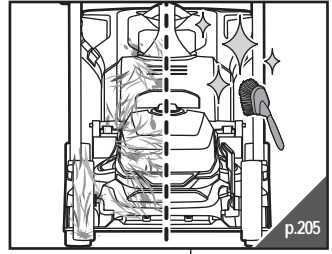


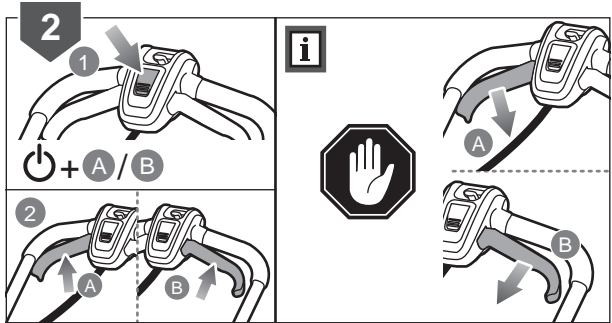
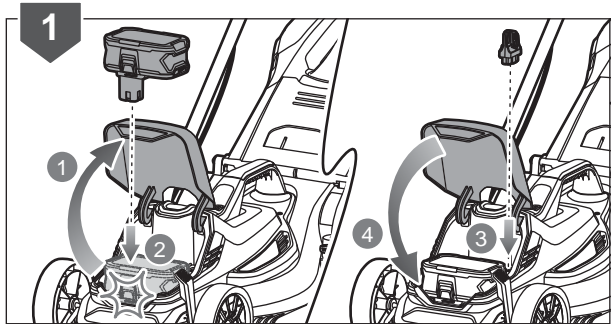
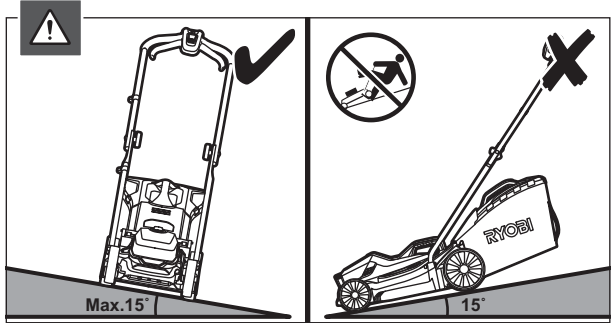
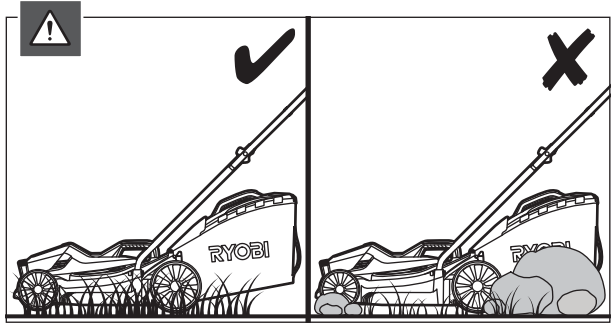
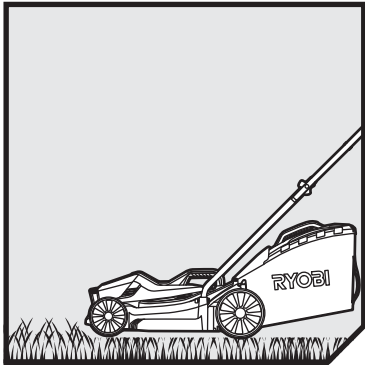


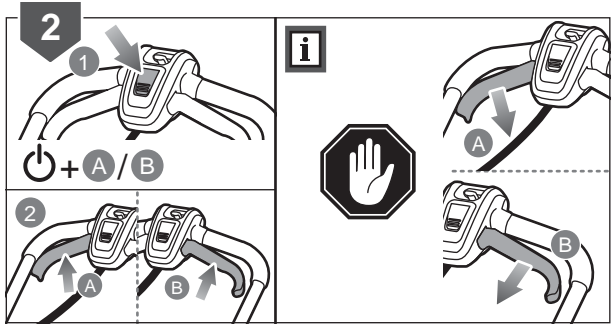
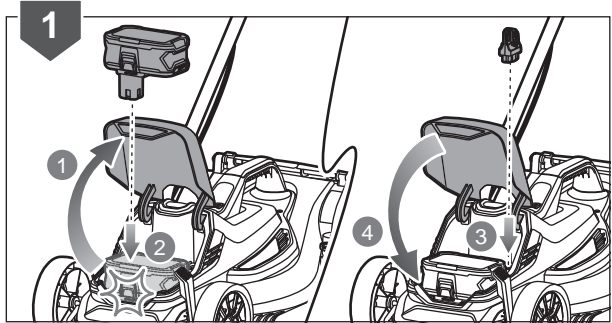
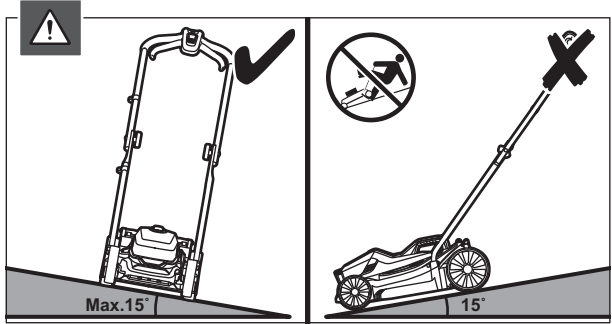
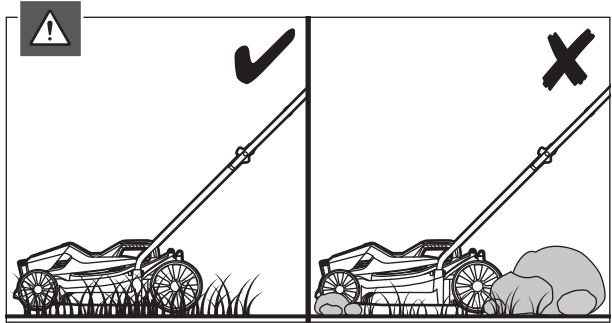
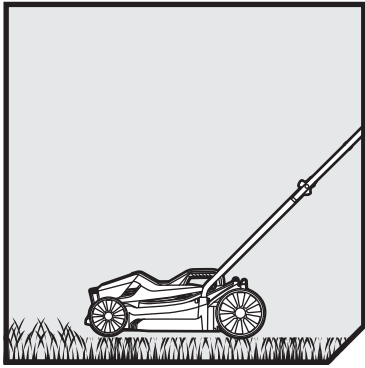


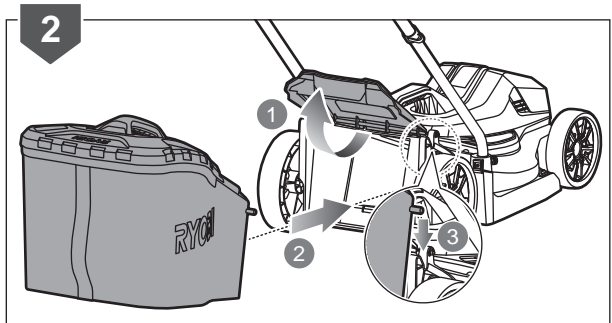
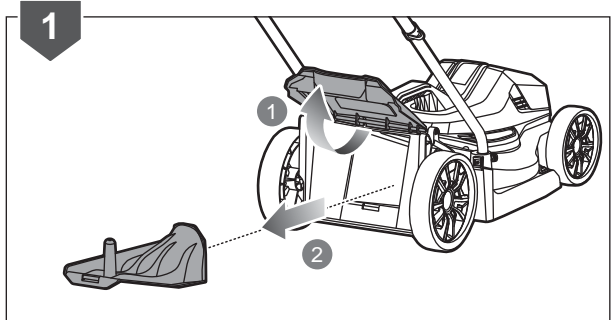
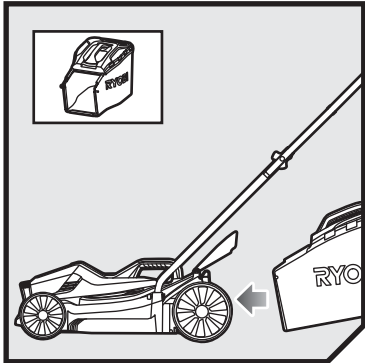
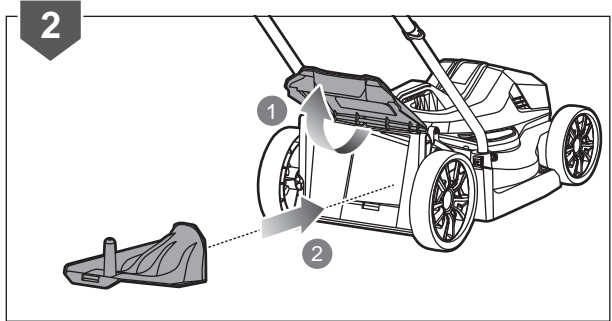
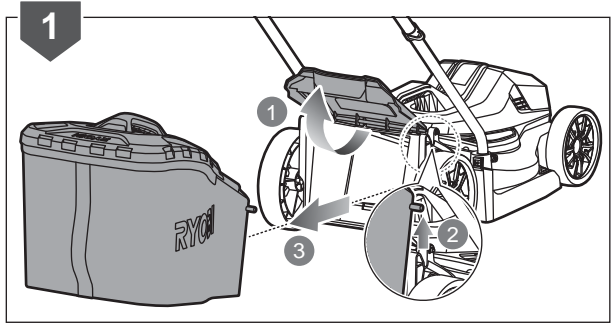
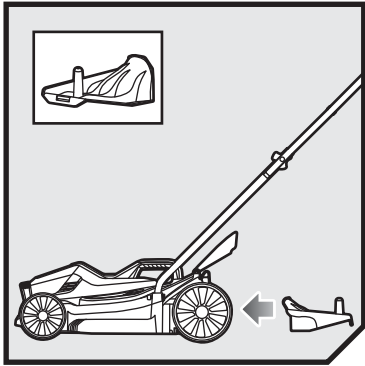


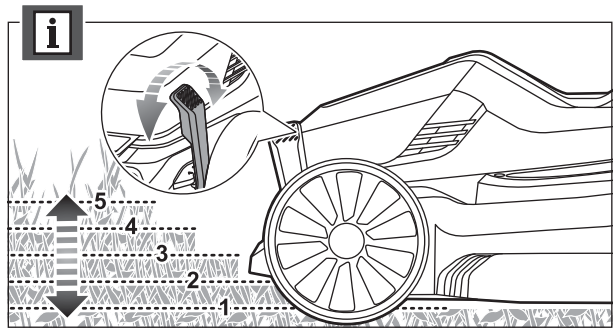
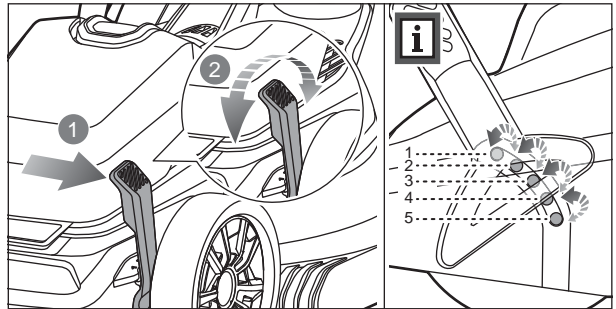
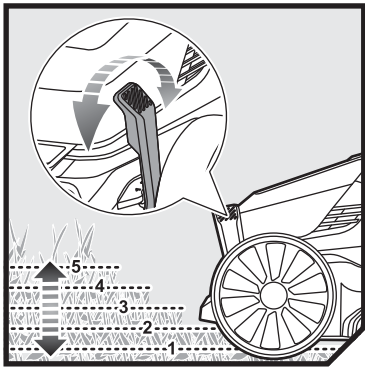
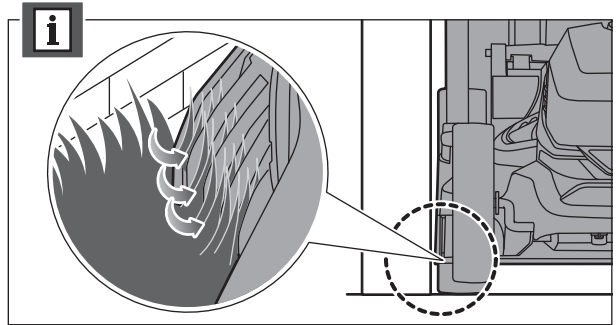
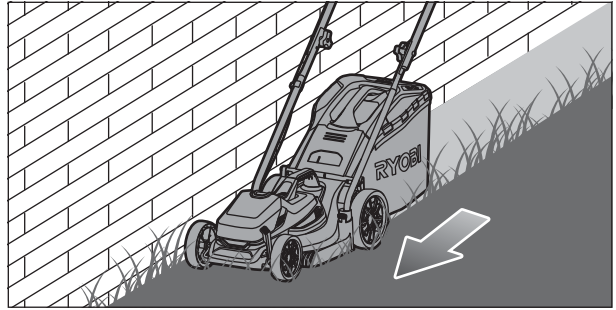
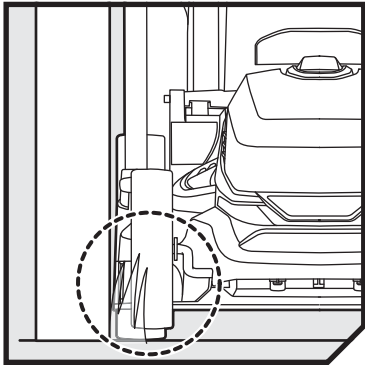


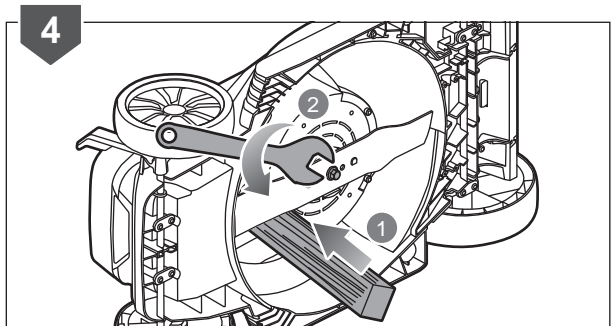
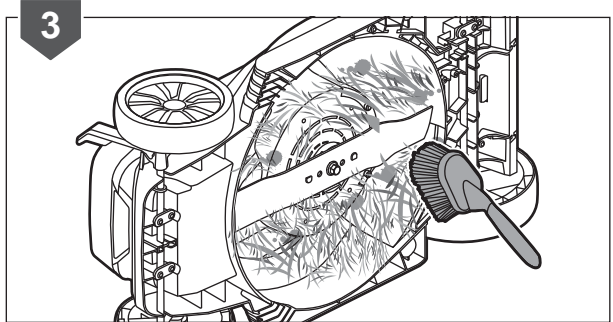
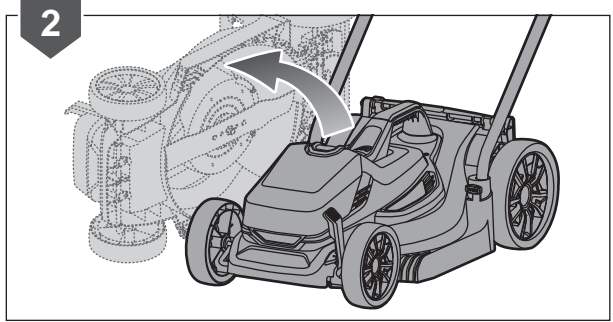
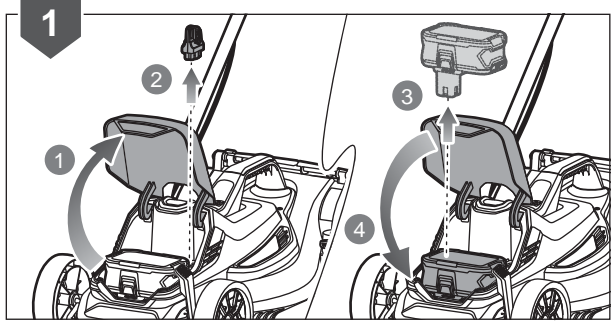


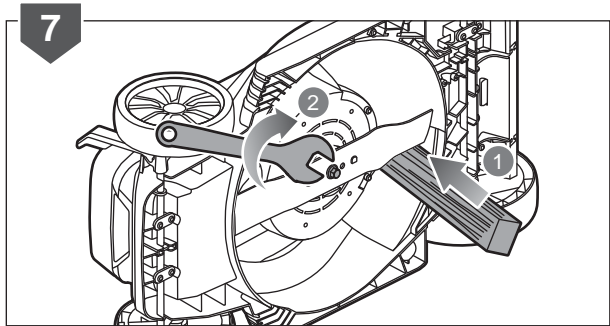
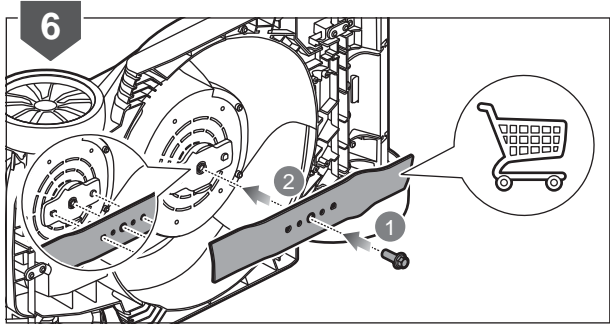
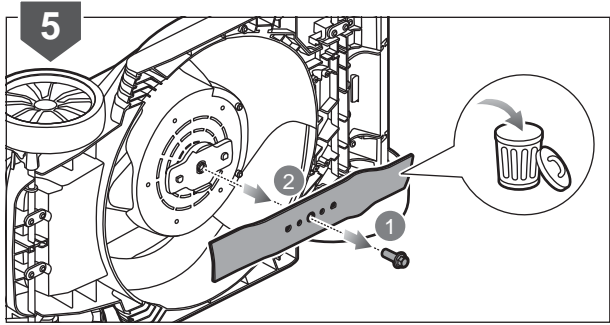


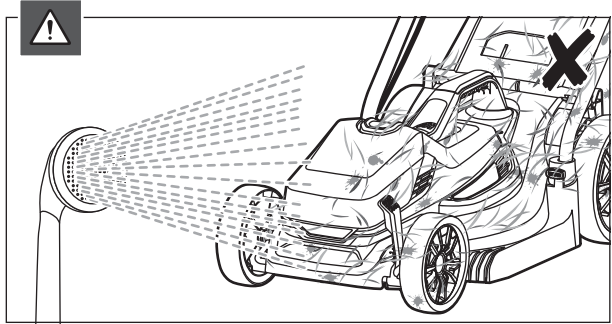
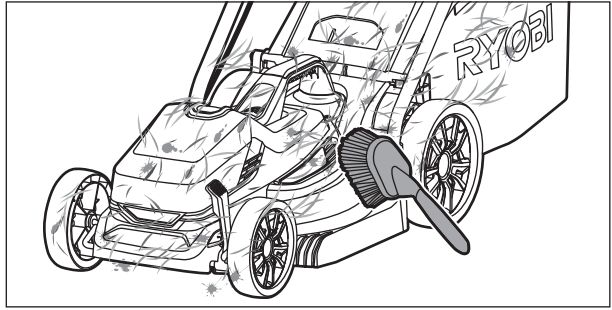
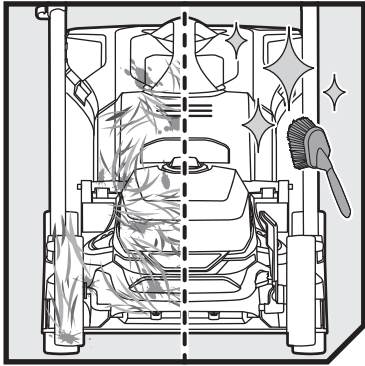


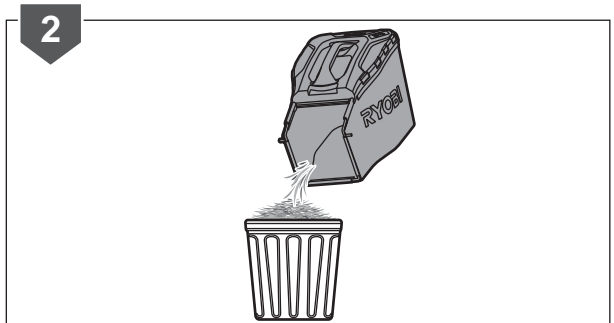
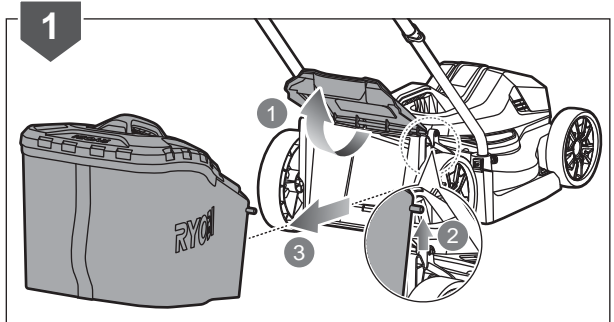
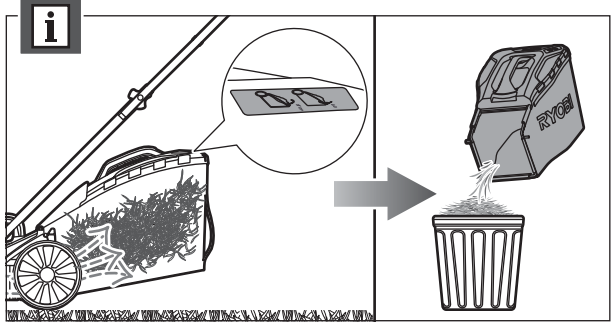
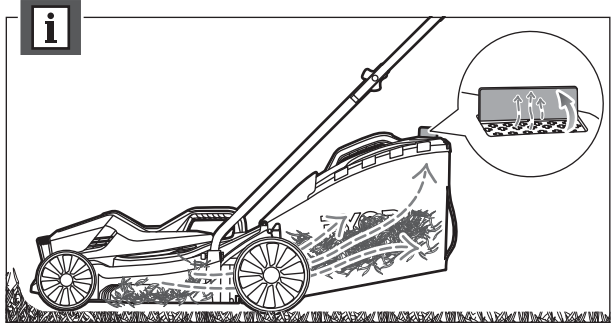
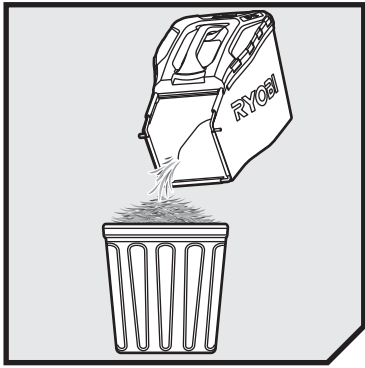


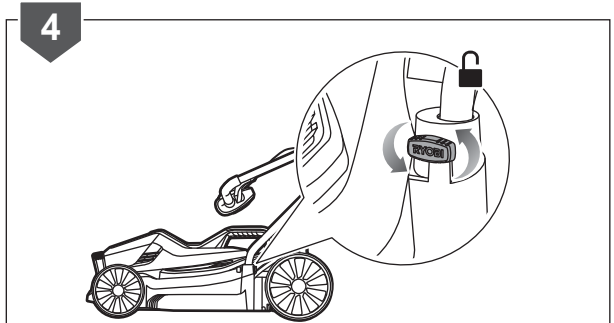
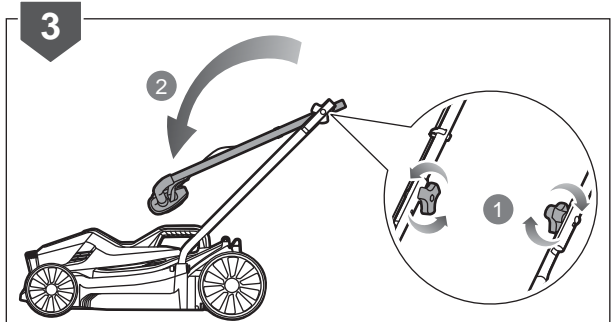
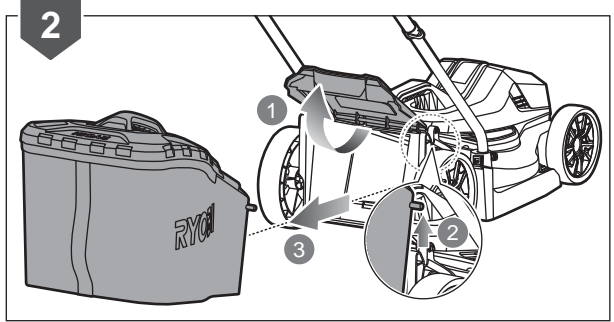
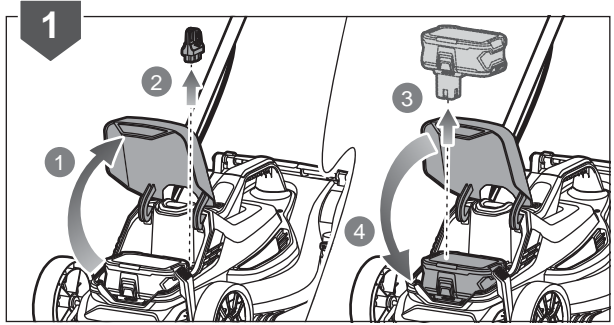
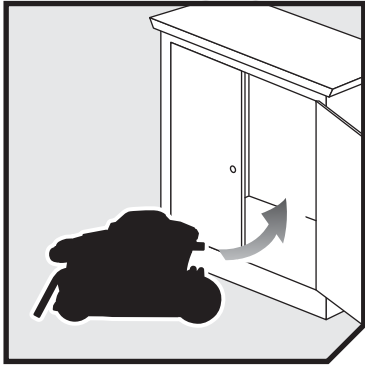


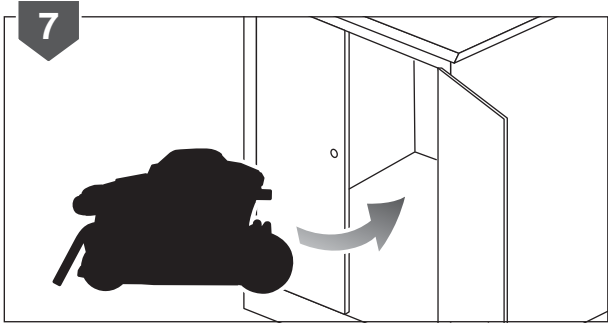
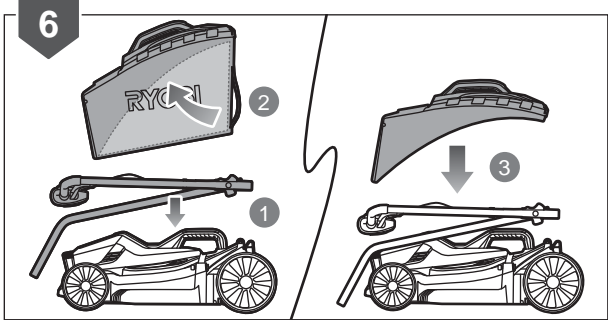
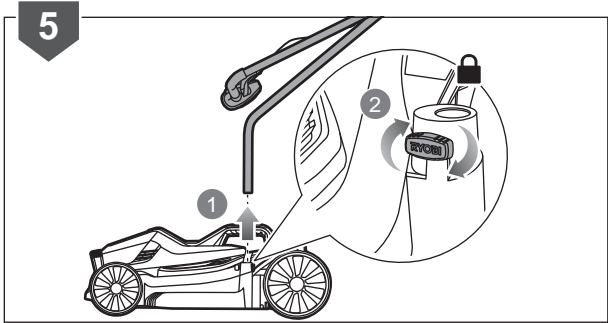
















English	Français	Deutsch	Español	Italiano	Nederlands
Product specifications	Caractéristiques produit	Produkt-Spezifikationen	Características del producto	Caratteristiche del prodotto	Productgegevens
Cordless lawn mower	Tondeuse à Gazon Sans-fil	Akku-Rasenmäher	Cortacésped inalámbrico	Tosaerba senza cavo	Snoerloze grasmaaier
Model	Modèle	Modell	Modelo	Modello	Model
Rated voltage	Tension nominale	Nennspannung	Tensión nominal	Voltaggio nominale	Toegekende spanning
Width of cut	Largeur de coupe	Schnittbreite	Anchura de fresado	Larghezza di fresatura	Freesbreedte
Height of cut	Hauteur de coupe	Schnitthöhe	Altura del corte	Altezza del taglio	Hoogte van de snede
No-load speed	Vitesse de rotation à vide	Leerlaufdrehzahl	Velocidad sin carga	Velocità senza carico	Snelheid zonder lading
Weight (without battery)	Poids (sans batterie)	Gewicht (ohne Akku)	Peso (sin la batería)	Peso (senza batterie)	Gewicht (zonder batterij)
Grass catcher capacity	Capacité du bac à herbe	Fassungsvermögen des Grasauffangbehälters	Capacidad colectora de césped	Capacità del contenitore di raccolta	Capaciteit grasvanger
Blade bolt torque	Couple de serrage du boulon de lame	Drehmoment der Messerschraube	Par de torsión de los pernos de la cuchilla	Coppia di serraggio del bullone della lama	Koppel voor mesbout
Vibration level (in accordance with Annex FF of EN 60335-2-77)	Niveau de vibration (selon l'Annexe FF de la norme EN 60335-2-77)	Vibrationsgrad (gemäß Anhang FF von EN 60335-2-77)	Nivel de vibración (de acuerdo con el Anexo FF de EN 60335-2-77)	Livello vibrazioni (secondo quanto disposto dall'Allegato FF della Direttiva EN 60335-2-77)	Trillingsniveau (in overeenstemming met bijlage FF van EN 60335-2-77)
Total vibration value	Valeur totale des vibrations	Gesamtwert der Vibration	Valor total de vibración	Valore totale vibrazioni	Totale waarde trilling
Noise emission level (in accordance with Annex GG of EN 60335-2-77)	Niveau d'émission sonore (selon l'Annexe GG de la norme EN 60335-2-77)	Geräuschemission (gemäß Anhang GG von EN 60335-2-77)	Nivel de emisión de ruido (de acuerdo con el Anexo GG de EN 60335-2-77)	Livello di emissione rumore (secondo quanto disposto dall'Allegato GG della Direttiva EN 60335-2-77)	Geluidsemissieniveau (in overeenstemming met bijlage GG van EN 60335-2-77)
A-Weighted sound pressure level at operator's position	Niveau de pression sonore pondéré A au niveau de l'opérateur	A-bewerteter Schalldruckpegel an der Position des Benutzers	Nivel de presión sonora ponderado A en la posición del operario	Livello di pressione sonora ponderata A alla posizione dell'operatore	A-gewogen geluidsdrukniveau bij positie van gebruiker
Uncertainty of measurement	Incertitude de la mesure	Unsicherheit der Messung	Incertidumbre de medición	Incertezza delle misurazioni	Onzekerheid bij meting
A-Weighted sound power level	Niveau de puissance sonore pondéré-A	A-bewerteter Schalleistungspegel	Nivel de potencia acústica ponderada en A	Livello di potenza sonora pesato A	A-gewogen geluidsniveau
Uncertainty of measurement	Incertitude de la mesure	Unsicherheit der Messung	Incertidumbre de medición	Incertezza delle misurazioni	Onzekerheid bij meting
Noise emission level (in accordance with ISO 4871)	Niveau d'émission sonore (selon ISO 4871)	Schallenergiepegel (gemäß ISO 4871)	Nivel de emisión de ruido (de acuerdo con ISO 4871)	Livello di emissione rumore (in accordo con la direttiva ISO 4871)	Geluidsemissieniveau (in overeenstemming met ISO 4871)
Declared A-Weighted sound pressure level at operator's position	Niveau déclaré de pression sonore pondéré-A au niveau de l'opérateur	Angegebener A-bewerteter Schalldruckpegel an der Position des Anwenders	Nivel declarado de presión sonora ponderado A en la posición del operario	Livello di pressione sonora pesato A dichiarato alla posizione dell'operatore	Aangegeven A-gewogen geluidsdrukniveau op de plaats van de bediener
Declared A-Weighted sound power level	Niveau déclaré de puissance sonore pondéré-A	A-bewerteter Schalleistungspegel	Nivel declarado de potencia sonora ponderado A	Livello di pressione sonora pesato A dichiarato	Aangegeven A-gewogen geluidsniveau





Português	Dansk	Svenska	Suomi	Norsk	Русский	
Características do aparelho	Produktspecificationer	Produktspecificationer	Tuotteen tekniset tiedot	Produktspecificasjoner	Характеристики изделия	
Corta-relva sem fios	Ledningsfri plæneklipper	Sladdlös gräsklippare	Johdoton ruohonleikkuri	Kabelfri gressklipper	Беспроводная газонокосилка	
Modelo	Model	Modell	Malli	Modell	Модель	RLM18X33B40/ RLM18C33B25/ OLM1833B
Tensão nominal	Mærkespænding	Spänning	Nimellisjännite	Nominell spenning	Номинальное напряжение	d.c. 18V
Largura de fresagem	Fræsebredde	Fråsbredd	Jyrsintäleveys	Fresebredde	Ширина фрезеровки	33 cm
Altura de corte	Klippehøjde	Klipphöjd	Leikkuukorkeus	Klippehøyde	Высота стрижки	25-65 mm
Velocidade sem carga	Tomgangshastighed	Hastighet utan belastning	Nopeus ilman kuormaa	Tomgangshastighet	Холостая скорость	4400/min
Peso (sem a bateria)	Vægt (uden batteri)	Vikt (utan batteri)	Paino (ilman akkua)	Vekt (uten batteri)	Вес (без батарей)	7,5 kg
Capacidade do saco de aparas	Græssamlers kapacitet	Gråsuppsamlarens kapacitet	Ruohonkeräajan kapasiteetti	Oppsamlerens kapasitet	Объем травосборателя	35 L
Binário de aperto do parafuso da lâmina	Moment for klungebolt	Ådragningsmoment bladskruv	Teräpultin vääntömomentti	Dreiemoment for knivbolten	Усилие затяжки фиксирующего болта лезвия	35-40 Nm
Nível de vibração (em conformidade com o Anexo FF de EN 60335-2-77)	Vibrationsniveau (iht. bilag FF til EN 60335-2-77)	Vibrationsnivå (enligt Annex FF i EN 60335-2-77)	Tärinätaso (standardin EN 60335-2-77 liitteen FF mukaisesti)	Vibrasjonsnivå (iht. tillegg FF i EN 60335-2-77)	Уровень вибрации (в соответствии с Приложением FF стандарта EN 60335-2-77)	
Valor total da vibração	Total vibrationsværdi	Totalvärde för vibration	Tärinän kokonaisarvo	Vibrasjon totalverdi	Суммарное значение вибрации	<2,5 m/s ²
Nível de emissão de ruído (em conformidade com o Anexo GG de EN 60335-2-77)	Støjemissionsniveau (iht. bilag GG til EN 60335-2-77)	Bulleretslappsnivå (enligt Annex GG i EN 60335-2-77)	Melutaso (standardin EN 60335-2-77 liitteen GG mukaisesti)	Støyutslipnivå (iht. tillegg GG i EN 60335-2-77)	Уровень шума (в соответствии с Приложением GG стандарта EN 60335-2-77)	
Nível de pressão sonora ponderada A na posição do operador	A-vægtet lydtryksniveau ved operatørens position	A-viktad ljudtrycksnivå vid operatörens plats	A-painotettu käyttäjään kohdistuva äänenpainetaso	Støynivåvekting ved operatørens posisjon	Амплитудно-взвешенный уровень звукового давления в рабочем месте оператора	90,0 dB(A)
Incerteza de medições	Målingsusikkerhed	Osäkerhet för mätt	Mittausten epätarkkuus	Usikkerhet ved måling	Погрешность измерения	2,5 dB
Nível de potência sonora ponderada A	A-vægtet lydeffektniveau	A-vägd ljudeffektnivå	A-painotettu äänenteho	A-vektet lydeffektnivå	Уровень А-взвешенной звуковой мощности	93,6 dB(A)
Incerteza de medições	Målingsusikkerhed	Osäkerhet för mätt	Mittausten epätarkkuus	Usikkerhet ved måling	Погрешность измерения	1,6 dB
Nível de emissão de ruído (em conformidade com ISO 4871)	Støjemissionsniveau (iht. ISO 4871)	Bulleretslappsnivå (enligt ISO 4871)	Melutaso (standardin ISO 4871 mukaisesti)	Støyutslipnivå (iht. ISO 4871)	Уровень шума (в соответствии с ISO 4871)	
Nível de pressão sonora ponderado A na posição do operador declarado	Deklareret A-vægtet lydtryksniveau ved operatørens position	Deklarerad A-viktad ljudtrycksnivå vid operatörsplats	Ilmoitettu A-painotettu käyttäjään kohdistuva äänenpainetaso	Deklarert A-vektet lydtrykk ved operatørposisjon	Заявленный амплитудно-взвешенный уровень звукового давления в рабочем месте оператора	93 dB(A)
Nível de potência sonora ponderado A declarado	Deklareret A-vægtet lydeffektniveau	Deklarerad A-viktad ljudeffektnivå	Ilmoitettu A-painotettu äänenteho	Deklarert A-vektet lydeffektnivå	Заявленный амплитудно-взвешенный уровень звуковой мощности	96 dB(A)





Polski	Čeština	Magyar	Română	Latviski	Lietuviškai	Eesti
Parametry techniczne	Technické údaje produktu	Termék műszaki adatai	Specificațiile produsului	Produkta specifikācijas	Gaminio techninės savybės	Toote tehnilised andmed
Kosiarka bezprzewodowa	Akkumulátoros fűnyíró	Akkumulátorová sekačka tráv	Mașină de tuns gazonul fără cablu	Breizīna kosilnica	Bežična kosilica	Akutoitega muruniiduk
Model	Model	Típus	Model	Modelis	Modelis	Mudel
Napięcie znamionowe	Jmenovité napětí	Névleges feszültség	Tensiunea nominală	Nominālais spriegums	Nominali įtampa	Nimipinge
Szerokość frezowania	Šířka frézování	Marási szélesség	Lățimea de frezare	Griezuma platums	Pjovimo plotis	Lõikelaius
Wysokość cięcia	Výška sečení	Vágásmagasság	Înălțimea de tăiere	Griešanas augstums	Pjovimo aukštis	Lõikekõrgus
Prędkość obrotowa bez obciążenia	Rychlost naprázdno	Üresjárati fordulatszám	Viteză fără sarcină	Greitis be apkrovimo	Greitis be apkrovimo	Tühikäigukiirus
Masa (bez akumulatora)	Hmotnost (bez baterie)	Tömeg (akkumulátor nélkül)	Greutate (fără acumulator)	Svars (bez baterijas)	Svoris (be akumulatorinės baterijos)	Kaal (ilma akuta)
Pojemność pojemnika na trawę	Kapacita sběrného koše	Fűfogó kapacitása	Capacitate colector iarbă	Zāles uztvērēja ietilpība	Žolės gaudyklės talpa	Murukoguja maht
Moment dokręcania śruby noża	Utahovací moment šroubu nože	Késcsavar nyomatéka	Cuplul boltului de fixare a discului tăietor	Asmens skrūves novilkšanas spēks	Pelio varžto užveržimo jėga	Lõiketera poldi pingutusmoment
Poziom wibracji (zgodnie z aneksem FF normy EN 60335-2-77)	Úroveň vibrací (v souladu s přílohou FF normy EN 60335-2-77)	Vibrációs szint (az EN 60335-2-77 FF függeléke szerint)	Nivel de vibrație (în conformitate cu Anexa FF a EN 60335-2-77)	Vibrācijas līmenis (saskaņā ar direktīvas EN 60335-2-77 FF pielikumu)	Vibrācijas lygis (pagal EN 60335-2-77 standarto FF priedą)	Vibratsioonitase (vastavalt standardi EN 60335-2-77 lisale FF)
Łączna wartość wibracji	Hodnota celkových vibrací	Vibráció teljes értéke	Valoare totală vibrație	Vibrācijas kopējais apjoms	Bendra vibracijos vertė	Vibratsiooni koguväärtus
Poziom emisji hałasu (zgodnie z aneksem GG normy EN 60335-2-77)	Hladina emise hluku (v souladu s přílohou GG normy EN 60335-2-77)	Hanghőbocsátási szint (az EN 60335-2-77 GG függeléke szerint)	Nivel emisie zgomot (în conformitate cu Anexa GG a EN 60335-2-77)	Trokšņu emisijas līmenis (saskaņā ar direktīvas EN 60335-2-77 GG pielikumu)	Skleidžiamo triukšmo lygis (pagal EN 60335-2-77 standarto GG priedą)	Vibratsioonitase (vastavalt standardi EN 60335-2-77 lisale GG)
Poziom ciśnienia akustycznego w pozycji operatora	Hladina akustického tlaku vážená funkcií A v poloze obsluhy	A-súlyozott hangnyomásszint a kezelő helyén	Nivel presiune sunet greutate A la poziția operatorului	Lietotāja pozīcijā ir ar A novērtēts skaņas spiediena līmenis	A svorinis triukšmo slėgio lygis operatoriaus padėtyje	A-kaalutud müraemissiooni rõhu tase operaatori töökojal
Niepewność pomiaru	Nejistota měření	Mérés bizonytalansága	Nesiguranța măsurătorii	Mērījuma nenoteiktība	Matavimo paklaida	Mõõtmismääramatus
A-ważyony poziom natężenia hałasu	Hladina akustického výkonu vážená funkcií A	A-súlyozott hangteljesítményszint	Nivel de putere acustică ponderată A	A-līmeņa skaņas jaudas līmenis	A-svertinis akustinis lygis	A-kaalutud helivõimsuse tase
Niepewność pomiaru	Nejistota měření	Mérés bizonytalansága	Nesiguranța măsurătorii	Mērījuma nenoteiktība	Matavimo paklaida	Mõõtmismääramatus
Poziom emisji hałasu (zgodnie z normą ISO 4871)	Hladina emise hluku (v souladu s ISO 4871)	Hanghőbocsátási szint (az ISO 4871 szerint)	Nivel emisie zgomot (în conformitate cu ISO 4871)	Trokšņu emisijas līmenis (saskaņā ar ISO 4871)	Skleidžiamo triukšmo lygis (pagal ISO 4871 standartą)	Helivõimsuse tase (vastavalt standardile ISO 4871)
Deklarowane ważone A ciśnienia akustycznego w pozycji operatora	Deklarovaná hladina akustického tlaku vážená funkcií A v poloze obsluhy	Deklarált A-súlyozott hangnyomásszint a kezelő helyén	Valoare declarată A a nivelului presiunii sunetului la poziția operatorului	Deklarētais A–novērtējuma skaņas spiediena līmenis operatora darba vietā	Deklaruojamas A dažnės charakteristikos garso slėgio operatoriaus vietoje	Deklareeritud A-kaalutud helirõhu tase operaatori töökojal
Deklarowany ważony poziom A mocy akustycznej	Hladina akustického tlaku (deklarovaná) vážená funkcií A	Deklarált A-súlyozott hangteljesítményszint	Valoare declarată A a nivelului puterii sunetului	Deklarētais A–novērtējuma skaņas intensitātes līmenis	Deklaruojamas A dažnės charakteristikos garso galios lygis	Deklareeritud A-kaalutud helivõimsuse tase





Hrvatski	Slovensko	Slovenčina	България	Українська	Turce	
Specifikacije proizvoda	Specifikacije izdelka	Špecifikácie produktu	Технически характеристики	Технічні характеристики пристрою	Ürün teknik özellikleri	
Belaidé veјapјové	Bezvady záles pláveјs	Akumulátorová kosačka	Безжична косачка	Бездротова газонокосарка	Kablosuz Çim Biçme Makinesi	
Model	Model	Modelis	Модел	Модель	Model	RLM18X33B40/ RLM18C33B25/ OLM1833B
Nazivni napon	Nazivna napetost	Menovité napátie	Номинален волтаж	Номинальна напруга	Nominal voltaj	d.c. 18V
Širina glodanja	Širina reza	Šírka rezu	Ширина на рязане	Ширина косіння	Kesme genişlięi	33 cm
Visina rezanja	Višina rezanja	Výška strihania	Височина на подрязване	Висота скошування	Kesme yükseklięi	25-65 mm
Brzina bez opterećenja	Hitrost neobremenjenega motorja	Rýchlost naprázdno	Скорост в ненатоварен режим	Швидкість без навантаження	Yüksüz hız	4400/min
Težina (bez baterije)	Teža (brez baterije)	Hmotnosť (bez akumulátora)	Тегло (без батерията)	Вага (без акумулатора)	Aęirlik (batarya hariç)	7,5 kg
Kapacitet hvataча trave	Zmogljivost iztresišča	Objem zberného koša	Обем на коша за трева	Смність збирача трави	Çim yakalayıcı kapasitesi	35 L
Zatezni moment vijka за pričvršćivanje noža	Navor vijaka за pritrditev rezila	Krútiaci moment skrutky noža	Момент на затягане на болтовете на ножа	Крутий момент для затягування болта леа	Biçak civala torku	35-40 Nm
Razina vibracija (u skladu s Dodatkom FF EN 60335-2-77)	Nivo vibracij (v skladu z dodatkom FF standarda EN 60335-2-77)	Úroveň vibrácií (v súlade s Dodatkom FF v EN 60335-2-77)	Ниво на вибрациите (в съответствие с приложение FF на EN 60335-2-77)	Рівень вібрації (відповідно до EN 60335-2-77 додаткок FF)	Titreşim seviyesi (EN 60335-2-77, Ek FF uyarınca)	
Ukupna vrijednost vibracija	Skupna vrednost vibracij	Celková hodnota vibrácií	Обща стойност на вибрациите	Загальне значення вібрації	Toplam titreşim değeri	<2,5 m/s ²
Razina emisija buke (u skladu s Dodatkom GG EN 60335-2-77)	Raven emisij hrupa (v skladu z dodatkom GG standarda EN 60335-2-77)	Úroveň emisii hluku (v súlade s Dodatkom GG v EN 60335-2-77)	Ниво на шумовите емисии (в съответствие с приложение GG на EN 60335-2-77)	Рівень шуму (відповідно до EN 60335-2-77 додаткок GG)	Gürültü emisyon seviyesi (EN 60335-2-77, Ek GG uyarınca)	
A-ponderirana razina zvučnog tlaka u položaju operatera	A-izmerjena raven zvočnega tlaka pri položaju upravlјavca	Vážená A hladina akustického tlaku na poziciі obsluhující osoby	Равнище А на нивото на шумовото налягане на мястото на оператора.	Рівень звукового тиску за шкалою А для оператора пристрою	Kullanıcı pozisyonundaki A aęirlikli ses basıncı seviyesi	90,0 dB(A)
Neodređenost mjerenja	Negotovost meritve	Nespořahlivost meraní	Несигурност на измерването	Невизначеність вимірювання	Ölçüm bilinmiyor	2,5 dB
Ponderirana razina zvučne snage	A-izmerjena raven zvočne moći	Vážená A hladina akustického výkonu	Ниво на силата на шума с равнище А	А-важений рівень звукової потужності	A aęirlikli ses gücü seviyesi	93,6 dB(A)
Neodređenost mjerenja	Negotovost meritve	Nespořahlivost meraní	Несигурност на измерването	Невизначеність вимірювання	Ölçüm bilinmiyor	1,6 dB
Razina emisija buke (u skladu s ISO 4871)	Raven emisij hrupa (v skladu s standardom ISO 4871)	Úroveň emisii hluku (podřa normy ISO 4871)	Ниво на шумовите емисии (в съответствие с ISO 4871)	Рівень шуму (відповідно до ISO 4871)	Gürültü Emisyonu (ISO 4871 uyarınca)	
Deklarirana A-ponderirana razina zvučnog tlaka u položaju operatera	Deklarirana A-vrednotena raven zvočnega tlaka na položaju upravlјavca	Deklarovaná vážená A hladina akustického tlaku na poziciі operátora	Декларирано ниво на шумовото налягане с равнище А на мястото на оператора	Заявлене А-важений рівень звукового тиску на робочому місці оператора	Operatör konumunda Beyan Edilmiş A-aęirlikli emisyon ses basıncı düzeyi	93 dB(A)
Deklarirana A-ponderirana razina zvučne snage	Deklarirana A-vrednotena raven zvočne moći	Deklarovaná vážená A hladina akustického výkonu	Декларирано ниво на силата на шума с равнище А	Заявлене А-важений рівень звукової потужності	Beyan Edilmiş A-aęirlikli ses gücü düzeyi	96 dB(A)





English	Français	Deutsch	Español	Italiano	Nederlands	Português
Battery and charger	Batterie et chargeur	Akku und Ladegerät	Batería y cargador	Batteria e caricatore	Accu en oplader	Bateria e carregador
Model	Modèle	Modell	Modelo	Modello	Model	Modelo
Battery pack	Bloc de batterie	Akku	Batería	Batteria	Accu	Batería
Weight	Poids	Gewicht	Peso	Peso	Peso	Peso
Charger	Chargeur	Ladegerät	Cargador	Caricatore	Lader	Carregador
Compatible battery packs	Packs batterie compatibles	Kompatible Akkus	Paquetes de batería compatibles	Gruppo batterie compatibili	Compatibele accupacks	Baterias compatíveis
Compatible chargers	Chargeur compatible	Kompatible Ladegeräte	Cargador compatible	Caricatore compatibile	Compatibele oplader	Carregador compatível
Replacement part	Pièces de Rechange	Ersatzteile	Piezas de repuesto	Parti di ricambio	Vervangonderdelen	Peças de substituição
Blade	Lame	Messer	Hoja	Lama	Mes	Lâmina

Polski	Čeština	Magyar	Română	Latviski	Lietuviškai	Eesti	Hrvatski
Akumulator i ładowarka	Nabíječka a baterie	Akkumulátor és töltő	Batería și încărcătorul	Akumulators un lādētājs	Akumulatorius ir įkroviklis	Aku ja laadija	Baterija i punjač
Model	Model	Típus	Model	Modelis	Modelis	Mudel	Model
Akumulator	Baterie	Akkumulátor	Acumulator	Akumulators	Baterija	Aku paketiga	Baterija
Greutate	Waga	Bec	Tömeg	Teža	Težina	Mass	Masé
Ładowarka	Nabíječka	Töltő	Încărcător	Lādētājs	Įkroviklis	Laadija	Punjač
Pasujące akumulatory	Kompatibilní akumulatory	Kompatibilis akkumulátorok	Acumulatori compatibili	Savietojami akumulatoru komplekti	Suderinami baterijos paketai	Ühilduvad akupaketid	Kompatibilna pakiranja baterija
Zgodna ładowarka	Kompatibilní nabíječka	Kompatibilis töltő	Încărcător compatibil	Saderīgs lādētājs	Suderinamas įkroviklis	Ühilduv laadija	Kompatibilni punjači
Części zamienne	Náhradní díly	Cserealkatrészek	Piese de schimb	Rezerves daļas	Atsarginės detalės	Asendusosad	Zamjena dijelova
Ostrze	Nůž	Kés	Lamă	Asmens	Geležtė	Saeleht	Oštrica





Dansk	Svenska	Suomi	Norsk	Русский			
Batteri og oplader	Batteri och batteriladdare	Akku ja laturi	Batteri og lader	Акумуляторная батарея и зарядное устройство			
Model	Modell	Malli	Modell	Модель	RLM18X33B40	RLM18C33B25	OLM1833B
Batteri	Batteri	Akku	Batteri	Акумулятор	RB18L40	RB18L25	-
Vikt	Vægt	Vekt	Paino	Вес	0,73 kg	0,455 kg	-
Oplader	Batteriladdare	Laturi	Lader	Зарядное устройство	RC18120	RC18115	-
Kompatible batterier	Kompatibla batteripaket	Yhteensopivat akut	Kompatible batteripakker	Совместимая аккумуляторная батарея	RB18L13/RB18L15/RB18L20/RB18L25/RB18L26/RB18L30/RB18L40/RB18L50/RB18L60/RB18L90		
Kompatibel oplader	Kompatibel laddare	Yhteensopiva laturi	Kompatibel lader	Совместимое зарядное устройство	BCL14181H/RC18115/RC18120/RC18150		
Reserve dele	Utbytesdelar	Varaosat	Erstatningsdeler	Запасные части			
Klinge	Blad	Terä	Blad	Пильное полотно	RAC434 (682072)		

Slovensko	Slovenčina	България	Українська	Türce			
Baterija in polnilnik	Akumulátor a nabijačka	Батерия и зарядно устройство	Акумулятор і зарядний пристрій	Pil ve şarj cihazı			
Model	Modelis	Модел	Модель	Model	RLM18X33B40	RLM18C33B25	OLM1833B
Akumulator	Batéria	Батерия	Акумуляторна батарея	Pil	RB18L40	RB18L25	-
Svars	Hmotnosť	Тегло	Вага	Ağırlık	0,73 kg	0,455 kg	-
Polnilec	Nabijačka	Зарядно устройство	Зарядний пристрій	Şarj cihazı	RC18120	RC18115	-
Združljive baterije	Kompatibilné jednotky akumulátorov	Съвместими батерии	Сумісні акумуляторні блоки	Uyumlu pil takımları	RB18L13/RB18L15/RB18L20/RB18L25/RB18L26/RB18L30/RB18L40/RB18L50/RB18L60/RB18L90		
Združljiv polnilec	Kompatibilná nabijačka	Съвместимо зарядно устройство	Сумісний зарядний пристрій	Uyumlu şarj cihazı	BCL14181H/RC18115/RC18120/RC18150		
Nadomestni deli	Náhradné diely	Резервни части	Запасні частини	Yedek Parça			
Rezilo	Ostrie	Острие	Лезо	Bıçak	RAC434 (682072)		



EN RYOBI® WARRANTY APPLICATION CONDITIONS

In addition to any statutory rights resulting from the purchase, this product is covered by a warranty as stated below.

- The warranty period is 24 months for consumers and commences on the date when the product was purchased. This date has to be documented by an invoice or other proof of purchase. The product is designed and dedicated to consumer and private use only. So there is no warranty provided in case of professional or commercial use. This warranty applies only on new products.
- There is a possibility to extend for a part of the range of power tools (AC/DC) the warranty period over the period described above using the registration on the www.ryobitools.eu website. The eligibility of products for extended warranty is clearly displayed in stores and / or on packaging and is contained within the product documentation. The end user is required to register his/her newly-acquired products online within 30 days from the date of purchase. The end user may register for the extended warranty in his/her country of residence if listed on the online registration form where this option is valid. Furthermore, end users must give their consent to the storage of their personal data that is required to be entered online. They must also accept the terms and conditions. The registration confirmation receipt, which is sent out by e-mail, and the original invoice showing the date of purchase will serve as proof of the extended warranty.
- The warranty covers all defects of the product during the warranty period due to faults in workmanship or material at the purchase date. The warranty is limited to repair and/or replacement and does not include any other obligations including but not limited to incidental or consequential damages. The warranty is not valid if the product has been misused, used contrary to the instruction manual, or has been incorrectly connected to a power supply. This warranty does not apply to:
 - any damage to the product that is the result of improper or lack of maintenance
 - any product that has been altered or modified
 - any product where original identification (trade mark, serial number) markings have been defaced, altered or removed
 - any damage caused by non-observance of the instruction manual
 - any product not displaying the CE approval mark on the rating plate
 - any product that has been attempted to be repaired by a non-authorised warranty service centre or without prior authorisation by Techtronic Industries
 - any product connected to improper power supply (amps, voltage, frequency)
 - any product used with inappropriate fuel mixture (fuel, oil, ratio of oil/ fuel mixture)
 - any damage caused by external influences (water, chemical, physical, shocks) or foreign substances
 - normal wear and tear spare parts
 - inappropriate use, overloading of the tool
 - use of non-approved accessories or parts
 - Accessories provided with the tool or purchased separately including but not limited to blades, saw chains, cutting lines, etc.
 - Any periodic adjustments to or maintenance cleaning of carburettors
 - Components (parts and accessories) subject to natural wear and tear, including but not limited to bump knobs, drive belts, clutch, blades of hedge trimmers or lawn mowers, harness, cable throttle, carbon brushes, power cord, tines, felt washers, hitch pins, blower fans, blower and vacuum tubes, vacuum bag and straps, guide bars, saw chains, hoses, connector fittings, spray nozzles, wheels, spray wands, inner reels, outer spools, cutting lines, spark plugs, air filters, gas filters, mulching blades, etc.
- For servicing, the product must be sent or presented to a RYOBI authorised service station listed for each country in the following list of service station addresses. In some countries your local RYOBI dealer undertakes to send the product to the RYOBI service organisation. When sending a product to a RYOBI service station, the product should be safely packed without any dangerous contents such as petrol, marked with sender's address and accompanied by a short description of the fault.
- A repair / replacement under this warranty is free of charge. It does not constitute an extension or a new start of the warranty period. Exchanged parts or products become our property. In some countries delivery charges or postage will have to be paid by the sender. Your statutory rights arising from the purchase of the product remain unaffected.
- This warranty is valid in the European Community, Switzerland, Iceland, Norway, Liechtenstein, Turkey and Russia. Outside these areas, please contact your authorised RYOBI dealer to determine if another warranty applies.

AUTHORISED SERVICE CENTRE

To find an authorised service centre near you, visit <http://uk.ryobitools.eu/header/service-and-support/service-agents>.

FR RYOBI® CONDITIONS D'APPLICATION DE LA GARANTIE

En plus des droits statutaires liés à l'achat, ce produit est couvert par une garantie telle que décrite ci-dessous.

- La durée de la garantie accordée au consommateur est de 24 mois à partir de la date d'achat. Cette date doit être authentifiée par une facture ou tout autre preuve d'achat. Le produit a été conçu en vue d'une utilisation strictement privée. Aucune garantie ne s'applique donc en cas d'utilisation professionnelle ou commerciale.
- Il existe pour une partie de la gamme « jardin » (AC/DC), une possibilité d'étendre la période de garantie au-delà de la période précédemment décrite en utilisant le formulaire d'enregistrement présent sur le site Internet www.ryobitools.eu. L'éligibilité d'un outil est clairement affichée dans les points de vente et/ou sur l'emballage et la documentation. L'utilisateur final doit enregistrer son/ses outil(s) nouvellement acheté(s) en ligne dans les 30 jours qui suivent la date d'achat. L'utilisateur a la possibilité de s'enregistrer pour l'extension de garantie dans son pays de résidence si celui-ci est listé dans le formulaire d'enregistrement en ligne où cette option est validée. L'utilisateur final doit donner son consentement pour l'enregistrement des données requises pour accéder au site et doit accepter les termes et conditions. La confirmation d'enregistrement, envoyée par courrier électronique, ainsi que la facture originale mentionnant la date d'achat serviront de preuve de l'extension de garantie.
- La garantie couvre pendant la période de garantie les défauts des produits liés à la fabrication et aux matériaux à la date d'achat. La garantie est limitée à la réparation et/ou au remplacement et n'inclut aucune autre obligation, tel que, mais sans s'y limiter, les dommages accessoires ou indirects. La garantie est non valable en cas de mauvaise utilisation du produit, d'utilisation contraire aux instructions du mode d'emploi, ou en cas de branchement incorrect. Cette garantie ne s'applique pas pour :
 - tout dommage au produit résultant d'un mauvais entretien
 - tout produit ayant été altéré ou modifié
 - tout produit dont les marquages originaux d'identification (marque, numéro de série) ont été dégradés, altérés ou retirés
 - tout dommage causé par le non-respect des instructions du mode d'emploi
 - tout produit non CE
 - tout produit ayant subi une tentative de réparation par du personnel non qualifié ou sans autorisation préalable de Techtronic Industries
 - tout produit raccordé à une alimentation secteur non conforme (ampérage, voltage, fréquence)
 - tout produit utilisé avec un mélange inapproprié (essence, huile, pourcentage d'huile)
 - tout dommage causé par des influences extérieures (chimiques, physiques, chocs) ou par des substances étrangères
 - l'usure normale des pièces consommables
 - une utilisation inappropriée, une surcharge de l'outil
 - l'utilisation de pièces ou accessoires non agréés
 - Tout réglage périodique ou tout nettoyage de maintenance des carburateurs
 - les composants (pièces et accessoires) sujets à une usure naturelle, incluant de façon non exhaustive les têtes de fil à frapper, les courroies de transmission, les embrayages, les lames des taille-haies ou des tondeuses à gazon, les harnais, les câbles d'accélérateur, les charbons, les cordons d'alimentation, les fraises de cultivateurs, les rondelles feutre, les goupilles de fraise, les turbines et lame de broyage des souffleurs, les tubes de soufflage et d'aspiration des souffleurs, les sacs de souffleurs et leurs lanières, les guides-chaîne, les chaînes de tronçonneuses, les tuyaux et raccords, les buses et lances de nettoyeurs haute pression, les roues, les recharges de fil des têtes de coupe, les têtes de coupe, le fil de coupe, les bougies d'allumage, les filtres à air, les filtres à essence, etc.
- Si le produit doit être réparé, envoyez-le à un service après-vente agréé RYOBI dont vous trouverez ci-dessous la liste pour chaque pays. Dans certains pays, votre revendeur RYOBI se chargera d'envoyer le produit à un centre de réparation RYOBI. Lorsque vous envoyez un produit à un service après-vente RYOBI, celui-ci doit être correctement emballé, sans contenir aucun produit dangereux tel que de l'essence, et vous devez indiquer votre adresse ainsi qu'une courte description du problème.
- Une réparation / un remplacement sous garantie est gratuit(e). Ceci ne constituera pas une extension de garantie ni un nouveau départ de la période de garantie. Les pièces ou les outils remplacés deviennent notre propriété. Dans certains pays, les frais de port devront être assumés par l'expéditeur. Vos droits statutaires restent inchangés.
- Cette garantie est valable au sein de l'Europe, de la Suisse, de l'Islande, de la Norvège, du Liechtenstein, de la Turquie, de la Russie. En dehors de ces zones, veuillez contacter votre distributeur agréé RYOBI pour déterminer si une autre garantie s'applique.

SERVICE APRÈS-VENTE AGRÉÉ

Pour trouver le service après-vente agréé le plus proche, rendez-vous sur <http://fr.ryobitools.eu/header/service-and-support/service-agents>

DE RYOBI® GARANTIEBEDINGUNGEN

Zusätzlich zu den gesetzlichen Rechten aus dem Kauf gilt für dieses Produkt die nachstehend aufgeführte Garantie.

- Der Garantiezeitraum beträgt für Verbraucher 24 Monate und beginnt mit dem Datum des Kaufs. Dieses Datum muss durch eine Rechnung oder einen anderen Kaufbeleg dokumentiert werden. Dieses Produkt wurde ausschließlich zur privaten Nutzung durch Verbraucher entwickelt. Für den Fall einer professionellen bzw. kommerziellen Nutzung besteht daher keine Garantie.
- Es besteht die Möglichkeit, für einen Teil des Sortiments der Gartenwerkzeuge (AC/DC) den Garantiezeitraum über den oben genannten Zeitraum hinaus zu verlängern, indem der Verbraucher die Registrierung auf der Website www.ryobitools.eu durchführt. Die Berechtigung der Werkzeuge für die Garantieverlängerung ist deutlich im Geschäft und/oder auf der Verpackung beschrieben und in der Produktdokumentation erwähnt. Der Verbraucher muss das neu erworbene Gerät online innerhalb von 30 Tagen ab dem Kaufdatum registrieren. Der Verbraucher kann das Gerät zwecks Garantieverlängerung in seinem Wohnsitzland/Heimatland registrieren, wenn dieses Land auf dem Online-Registrierungsformular aufgeführt ist und die Option gültig ist. Darüber hinaus muss der Verbraucher seine Zustimmung zur Speicherung der Daten geben, die online eingegeben werden müssen, und er muss die allgemeinen Geschäftsbedingungen akzeptieren. Die Bestätigung der Registrierung, die per E-Mail versandt wird, und die Originalrechnung mit dem Kaufdatum gelten als Beleg für die Garantieverlängerung.
- Die Garantie deckt alle Defekte des Geräts während des Garantiezeitraums ab, die auf zum Zeitpunkt des Kaufs bestehende Verarbeitungs- oder Materialfehler zurückzuführen sind. Die Garantie beschränkt sich auf Reparatur und/oder Ersatz und beinhaltet keine anderen Verpflichtungen, insbesondere keinen Schadenersatz für Folge- oder Nebenschäden. Die Garantie gilt nicht, wenn das Gerät fehlerhaft eingesetzt wurde, gegensätzlich zur Bedienungsanleitung eingesetzt wurde oder falsch angeschlossen wurde. Die Garantie gilt nicht für Folgendes:
 - Schäden am Gerät, die auf unkorrekte Wartung zurückzuführen sind
 - Geräte, an denen Veränderungen vorgenommen wurden
 - Produkte, bei denen die ursprüngliche Identifizierung (Handelsmarke, Seriennummer) unleserlich gemacht, verändert oder entfernt wurde
 - Schäden durch Nichtbeachtung der Bedienungsanleitung
 - nicht-CE-zertifizierte Geräte
 - Geräte, an denen durch nicht-qualifizierte Personen oder ohne vorherige Genehmigung von Techtronic Industries Reparaturversuche vorgenommen wurden
 - Geräte, die an unkorrekte Energiequellen (Ampere, Volt, Frequenz) angeschlossen wurden
 - Geräte, die mit einer fehlerhaften Treibstoffmischung (Treibstoff, Öl, Ölanteil) betrieben wurden
 - Schäden durch äußere Einflüsse (chemisch, physisch, Stöße) oder Fremdstoffe
 - normaler Verschleiß von Ersatzteilen
 - unangemessene Nutzung, Überlastung des Geräts
 - Nutzung nicht genehmigter Zubehörteile oder Ersatzteile
 - Regelmäßige Einstellung oder Wartungsreinigung des Vergasers
 - Komponenten (Ersatzteile und Zubehörteile), die natürlicherem Verschleiß unterliegen, einschließlich, aber nicht begrenzt auf Service- und Wartungssets, Kohlebürsten, Lager, Spannvorrichtungen, SDS-Bohreraufnahme / Bit-Adapter, Netzkabel, Zusatzhandgriff, Transportkoffer, Schleifplatten, Staubbeutel, Staubabführungen, Filzunterlegscheiben, Bolzen und Federn von Schlagschraubern, einschließlich, aber nicht beschränkt auf Fadenköpfe, Antriebsriemen, Kupplungen, die Klängen von Heckenscharen oder Rasenmähern, Kabelstränge, Gaszüge, Zinken, Steckbolzen, Lüfter, Saug- und Gebläserohre oder Düsen, Fangsäcke und Gurte, Führungsschienen, Sägeketten, Schläuche, Verbinder, Sprühdüsen, Räder, Sprühstäbe, innere Rollen, äußere Spulen, Schneidfäden, Zündkerzen, Luftfilter, Benzin-/ Ölfilter, Hackseil-Messer usw.
- Zum Service muss das Gerät zu einer von RYOBI autorisierten Servicestation gebracht oder dorthin gesendet werden. Die Servicestationen für die einzelnen Länder sind in der folgenden Liste aufgeführt. In einigen Ländern sendet Ihr RYOBI-Händler vor Ort das Gerät an das RYOBI-Serviceunternehmen. Beim Einsenden an die RYOBI-Servicestation sollte das Gerät sicher verpackt sein, ohne gefährliche Inhalte wie Benzin, und es sollte mit der Adresse des Absenders und einer kurzen Beschreibung des Fehlers versehen sein.
- Eine Reparatur bzw. ein Ersatz gemäß dieser Garantie ist kostenlos. Hieraus ergibt sich weder eine Garantieverlängerung noch der Beginn eines neuen Garantiezeitraums. Die ausgetauschten Ersatzteile oder Werkzeuge gehen in unser Eigentum über. In einigen Ländern müssen die Zustellgebühren oder die Versandkosten vom Absender gezahlt werden. Ihre gesetzlichen Rechte aus dem Kauf des Geräts bleiben hiervon unberührt.
- Diese Garantie gilt in der Europäischen Union, der Schweiz, Island, Norwegen, Liechtenstein, der Türkei und Russland. Bitte wenden Sie sich außerhalb dieser Gebiete an Ihren autorisierten RYOBI-Händler, um festzustellen, ob eine andere Garantie gilt.

AUTORISIERTER KUNDENDIENST

Besuchen Sie <http://de.ryobitools.eu/header/service-and-support/service-agents>, um einen autorisierten Kundendienst in Ihrer Nähe zu finden.

ES CONDICIONES DE APLICACIÓN DE LA GARANTÍA DE RYOBI®

Además de cualquier derecho legal derivado de la compra, este producto está cubierto por una garantía que se indica a continuación.

- El periodo de garantía es de 24 meses para consumidores y comienza en la fecha en que se comprara el producto. Dicha fecha debe documentarse con una factura u otro comprobante de compra. El producto está diseñado y concebido únicamente para el uso privado del consumidor. Por lo tanto, no se ofrece garantía en caso de uso profesional o comercial.
- Existe la posibilidad de ampliar el periodo de garantía respectivo a una parte de la gama de herramientas de jardinería (CA/CC) durante el periodo descrito más arriba y mediante el registro en el sitio web www.ryobitools.eu. La elegibilidad de las herramientas para que se amplie el periodo de garantía se muestra claramente en las tiendas o en el embalaje y está incluida en la documentación del producto. El usuario final tiene que registrar en línea sus herramientas recientemente adquiridas en un plazo de 30 días a partir de la fecha de compra. El usuario final podrá registrarse para obtener la garantía ampliada en su país de residencia si este aparece en la lista del formulario de registro en línea cuando esta opción sea válida. Además, los usuarios finales deberán dar su consentimiento al almacenamiento de los datos necesarios para el acceso en línea y tienen que aceptar los términos y condiciones. El recibo de confirmación de registro, que se envía por correo electrónico, y la factura original que muestra la fecha de compra servirán como comprobante para la garantía ampliada.
- La garantía cubre todos los defectos del producto durante el periodo de garantía debido a fallos de mano de obra o material en la fecha de compra. La garantía se limita a la reparación o sustitución y no incluye ninguna otra obligación como, por ejemplo, daños accidentales o consecuentes. La garantía no es válida si se ha usado mal el producto, se ha usado contraviniendo el manual de instrucciones o se ha conectado de forma incorrecta. Esta garantía no es aplicable a:
 - ningún daño en el producto que sea consecuencia de un mantenimiento inadecuado
 - ningún producto que haya sido alterado o modificado
 - ningún producto en el que los marcados de identificación originales (marca comercial, número de serie) se hayan borrado, modificado o eliminado
 - ningún daño provocado por no seguir el manual de instrucciones
 - ningún producto que no sea CE
 - ningún producto que haya sufrido un intento de reparación por parte de un profesional no cualificado o sin la autorización previa de Techtronic Industries.
 - ningún producto conectado a un suministro eléctrico inadecuado (amperios, voltaje, frecuencia)
 - ningún producto usado con una mezcla de combustible inadecuada (combustible, aceite, porcentaje de aceite)
 - ningún daño causado por influencias externas (químicas, físicas, impactos) o sustancias extrañas
 - desgaste normal de piezas de repuesto
 - uso inadecuado, sobrecarga de la herramienta
 - uso de accesorios o piezas no aprobados
 - Cualquier ajuste periódico o limpieza de mantenimiento de los carburadores
 - Componentes (piezas y accesorios) sujetos al desgaste natural incluyendo, entre otros, pomos de golpes, correas de transmisión, embragues, cuchillas de cortasetos o cortacésped, arneses, cable del acelerador, escobillas de carbono, cables eléctricos, discos, paños de fieltro, pasadores de enganche, ventiladores de soplador, tubos de aspiración y de soplado, bolsas y correas de aspiración, barras guías, cadenas de sierra, mangueras, herrajes de conectores, boquillas pulverizadoras, ruedas, lanzas pulverizadoras, bobinas interiores, carretes exteriores, líneas de corte, bujías, filtros de aire, filtros de gas, cuchillas de compostaje, etc.
- Para su mantenimiento, el producto debe enviarse o presentarse a una estación de servicio de RYOBI autorizada que figure en la siguiente lista de direcciones de estaciones de servicio por países. En algunos países, su distribuidor RYOBI local se responsabiliza de enviar el producto a la compañía de servicio de RYOBI. Cuando se envíe un producto a una estación de servicio de RYOBI, este debe estar empaquetado de forma segura sin contenidos peligrosos como gasolina, marcado con la dirección del remitente y acompañado de una breve descripción del fallo.
- Una reparación / sustitución con esta garantía es gratuita. No constituye una ampliación ni un nuevo comienzo del periodo de garantía. Las piezas o herramientas intercambiadas pasan a ser de nuestra propiedad. En algunos países, los gastos de envío o correo tendrá que pagarlos el remitente. Sus derechos legales derivados de esta compra de la herramienta no se verán afectados.
- Esta garantía es válida en la Unión Europea, Suiza, Islandia, Noruega, Liechtenstein, Turquía y Rusia. Fuera de estas zonas, póngase en contacto con su distribuidor de RYOBI autorizado para determinar si es aplicable otra garantía.

SERVICIO TÉCNICO AUTORIZADO

Para encontrar el servicio técnico autorizado más cercano, visite <http://es.ryobitools.eu/header/service-and-support/service-agents>.



IT CONDIZIONI DI VALIDITÀ DELLA GARANZIA RYOBI®

In aggiunta ai diritti di legge risultanti dall'acquisto, il prodotto è coperto dalla garanzia sotto descritta.

- Il periodo di garanzia è di 24 mesi per i consumatori, a decorrere dalla data di acquisto del prodotto. La data deve essere documentata da una fattura o altra prova d'acquisto. Il prodotto è progettato e destinato solo all'utilizzo privato dei consumatori. Pertanto non viene fornita alcuna garanzia in caso di uso professionale o commerciale.
- Per una serie di utensili da giardino (CA/CC) è possibile prolungare il periodo di garanzia oltre quello descritto, registrandosi sul sito web www.ryobitools.eu. Gli utensili per i quali è possibile prolungare il periodo di garanzia sono chiaramente indicati nei negozi e/o sulle confezioni e nella documentazione dei prodotti. L'utente deve registrare online l'utensile acquistato entro 30 giorni dalla data di acquisto. L'utente può registrarsi per la garanzia prolungata nel proprio paese di residenza, se questo è elencato nel modulo di registrazione online dove questa opzione sia valida. Inoltre gli utenti devono fornire il proprio consenso alla conservazione dei dati da immettere online e devono accettare le condizioni generali. La conferma di registrazione, inviata tramite e-mail, e la fattura originale indicante la data di acquisto, costituiscono la prova della garanzia prolungata.
- La garanzia copre tutti i difetti del prodotto durante il periodo di garanzia, risultati da manodopera o materiali alla data di acquisto. La garanzia è limitata alla riparazione e/o sostituzione e non include alcun altro obbligo quali, a mero titolo esemplificativo, i danni incidentali o consequenziali. La garanzia non è valida se il prodotto è stato usato scorrettamente, in modo contrario al manuale di istruzioni o se è stato collegato in modo errato. La garanzia non è valida per:
 - qualsiasi danno al prodotto dovuto a manutenzione errata;
 - qualsiasi prodotto che sia stato alterato o modificato;
 - qualsiasi prodotto le cui marcature di identificazione originali (marchi di fabbrica, numero di serie) siano state cancellate, alterate o rimosse;
 - qualsiasi danno causato dalla non osservanza delle istruzioni del manuale;
 - qualsiasi prodotto privo di omologazione CE;
 - qualsiasi prodotto che sia stato sottoposto a un tentativo di riparazione da parte di un professionista non qualificato oppure senza la previa autorizzazione di Techtronic Industries;
 - qualsiasi prodotto collegato a un'alimentazione errata (per ampere, tensione, frequenza);
 - qualsiasi prodotto usato con una miscela di carburante errata (carburante, olio, percentuale di olio);
 - qualsiasi danno causato da influenze esterne (chimiche, fisiche, urti) o sostanze estranee;
 - la normale usura delle parti di ricambio;
 - uso inappropriato, sovraccarico dell'utensile;
 - uso di accessori o parti non omologate;
 - qualsiasi regolazione periodica o pulizia di manutenzione dei carburatori;
 - componenti (parti e accessori) soggetti alla normale usura compresi, a mero titolo esemplificativo, testine a filo, cinghie di trasmissione, frizioni, lame di tagliaspie o tagliaerba, imbragature, cavi di accelerazione, spazzole al carbonio, cavi di alimentazione, denti, rondelle di feltro, perni di aggancio, ventole dei soffiatori, tubi di soffiatori e aspiratori, sacchetti e cinghie per aspirapolvere, barre guida, catene per seghe, tubi, raccordi di connessione, ugelli di spruzzo, ruote, erogatori, bobine interne ed esterne, linee di taglio, candele, filtri dell'aria, filtri del gas, lame per mulching ecc.
- Per la manutenzione il prodotto dev'essere spedito o portato presso uno dei centri assistenza autorizzati RYOBI elencati per ogni paese nel seguente elenco di indirizzi dei centri. In alcuni paesi il rivenditore locale RYOBI si incarica di inviare il prodotto all'organizzazione di assistenza RYOBI. Quando si invia un prodotto a un centro assistenza RYOBI, imballarlo in modo sicuro senza contenuti pericolosi come la benzina, apporre l'indirizzo del mittente e accompagnarlo da una breve descrizione del guasto.
- La riparazione/sostituzione ai sensi della presente garanzia è gratuita. Non costituisce un prolungamento o un nuovo inizio del periodo di garanzia. Le parti o gli utensili scambiati diventano di nostra proprietà. In alcuni paesi i costi di consegna o di spedizione postale devono essere pagati dal mittente. I diritti di legge derivanti dall'acquisto dell'utensile rimangono inalterati.
- La presente garanzia è valida in Unione Europea, Svizzera, Islanda, Norvegia, Liechtenstein, Turchia e Russia. Al di fuori di tali aree contattare il rivenditore autorizzato RYOBI per sapere se è valida un'altra garanzia.

CENTRO SERVIZI AUTORIZZATO

Per individuare il più vicino centro servizi autorizzato, visitare il sito <http://it.ryobitools.eu/header/service-and-support/service-agents>.

NL RYOBI® GARANTIEVOORWAARDEN

Naast de wettelijke rechten die voortvloeien uit de aankoop, wordt dit product gedekt door een garantie, zoals hieronder staat vermeld.

- De garantietermijn voor consumenten bedraagt 24 maanden en gaat in op de datum waarop het product is gekocht. Deze datum moet worden gedocumenteerd met een factuur of een ander aankoopbewijs. Het product is uitsluitend ontworpen en bedoeld voor persoonlijk gebruik door consumenten. Er wordt dus geen garantie gegeven voor professioneel of commercieel gebruik.
- Voor een deel van ons aanbod van tuingeredschappen (AC/DC) is het mogelijk om de garantietermijn te verlengen over de boven beschreven termijn, met behulp van de website www.ryobitools.eu. De gereedschappen die in aanmerking komen voor de verlenging van de garantietermijn wordt duidelijk weergegeven in winkels en/of verpakkingen en staat beschreven in de productdocumentatie. De eindgebruiker moet zijn/haar nieuw gekochte gereedschappen binnen 30 dagen na aankoop online registreren. De eindgebruiker kan zich registreren voor de verlengde garantietermijn als zijn woonland staat vermeld op het online registratieformulier waar deze optie geldig is. Bovendien moeten eindgebruikers toestemming geven voor de opslag van de gegevens die online ingevuld moeten worden en moeten ze de algemene voorwaarden accepteren. Het ontvangstbewijs van de registratie, dat per e-mail wordt verzonden en de oorspronkelijke factuur met de aankoopdatum vormt het bewijs van de verlengde garantietermijn.
- De garantie dekt tijdens de garantietermijn alle gebreken van het product vanwege defecten in vakmanschap of materiaal op de aankoopdatum. De garantie is beperkt tot reparatie en/of vervanging en bevat geen andere verplichtingen, waaronder maar niet beperkt tot incidentele of gevolgschade. De garantie is niet geldig als het product is misbruikt, in strijd met de gebruiksaanwijzing wordt gebruikt of onjuist is aangesloten. Deze garantie geldt niet voor:
 - alle schade aan het product die het gevolg is van onjuist onderhoud
 - elk product dat is veranderd of aangepast
 - elk product waar de oorspronkelijke identificatie (handelsmerk, serienummer) is beschadigd, gewijzigd of verwijderd
 - alle schade die is veroorzaakt door het niet opvolgen van de gebruiksaanwijzing
 - elk niet-CE-product
 - elk product waar een poging tot reparatie is gedaan door een niet-erkende professional of zonder voorafgaande toestemming door Techtronic Industries.
 - elk product dat is verbonden met een verkeerde voeding (amperage, spanning, frequentie)
 - elk product dat wordt gebruikt met een verkeerd brandstofmengsel (brandstof, olie, oliegehalte)
 - alle schade die is veroorzaakt door externe invloeden (chemisch, fysisch, schokken) of vreemde stoffen
 - normale slijtage van reserveonderdelen
 - ongepast gebruik, overbelasting van het gereedschap
 - gebruik van niet-goedgekeurde accessoires of onderdelen
 - Alle periodieke aanpassingen aan of het onderhoud en reiniging van carburateurs
 - Componenten (onderdelen en accessoires) die onderhevig zijn aan natuurlijke slijtage, waaronder maar niet beperkt tot stookknoppen, aandrijfmotoren, koppelingen, messen van hegtrimmers of grasmaaiers, harnas, gaskabel, koolstofborstels, stroomsnoeren, tanden, viltringen, koppelingsspannen, blazers, blaas- en zuigbuizen, zuigzakken en-riemen, geleidingsstaven, zaagkettingen, slangen, koppelingen, mondstukken, wielen, spuitsokken, binnenhaspels, buitenhaspels, snijdraden, bougies, luchtfilters, gasfilters, maaimessen, etc.
- Voor onderhoud moet het product worden verzonden of gebracht naar een erkend servicestation van RYOBI die voor elk land staan vermeld in de volgende lijst met adressen voor servicestations. In sommige landen zal uw lokale RYOBI-dealer het product verzenden naar de RYOBI-serviceorganisatie. Wanneer u het product naar een servicestation van RYOBI verzendt, moet het product veilig worden verpakt zonder enige gevaarlijke inhoud, zoals benzine, met het adres van de afzender en vergezeld van een korte beschrijving van het defect.
- Een reparatie/vervangings die onder deze garantie valt is gratis. Het vormt geen verlenging of een nieuwe start van de garantietermijn. Verwisselde onderdelen of gereedschappen worden ons eigendom. In sommige landen moeten de verzendkosten door de afzender worden betaald. Uw wettelijke rechten die voortvloeien uit de aankoop van het gereedschap blijven onaangetast.
- Deze garantie is geldig in de Europese Gemeenschap, Zwitserland, IJsland, Noorwegen, Liechtenstein, Turkije en Rusland. Buiten deze gebieden moet u contact opnemen met uw erkende RYOBI-dealer om vast te stellen of er een andere garantie van toepassing is.

GEAUTORISEERD ONDERHOUDSCENTRUM

Om een geautoriseerd onderhoudscentrum in uw buurt te vinden, surf u naar <http://nl.ryobitools.eu/header/service-and-support/service-agents>.



PT CONDIÇÕES DE APLICAÇÃO DA GARANTIA RYOBI®

Para além de quaisquer direitos previstos por lei resultantes da compra, este produto está coberto por uma garantia conforme descrição abaixo.

1. O período da garantia é de 24 meses para consumidores particulares e inicia-se na data de compra do produto. Esta data tem de ser documentada por uma factura ou por outra prova de compra. O produto foi concebido para e destina-se apenas a consumidores particulares e uso privado. Assim, não é dada garantia em caso de utilização por profissionais ou uso comercial.
2. Para uma parte da gama de ferramentas de jardim (AC/DC) existe a possibilidade de prolongamento do período da garantia para além do período descrito acima, mediante registo no Web site www.ryobitools.eu. A elegibilidade das ferramentas para prolongamento do período da garantia é claramente visível nas lojas e/ou nas embalagens e está contida na documentação do produto. O utilizador final tem de fazer o registo online das suas ferramentas recém-adquiridas no prazo de 30 dias após a data de compra. O utilizador final pode fazer o registo para prolongamento da garantia no seu país de residência, desde que esteja listado no formulário de registo online e para os casos em que esta opção seja válida. Para além disso, os utilizadores finais têm de autorizar o armazenamento dos dados cujo preenchimento lhes for solicitado online e têm de aceitar os termos e as condições. O recibo de confirmação do registo é enviado por e-mail e, em conjunto com a factura original ostentando a data de compra, servirá de prova do prolongamento da garantia.
3. A garantia cobre todos os defeitos do produto durante o período da garantia devidos a defeitos de fabrico ou de material à data da compra. A garantia está limitada à reparação e/ou substituição e não inclui quaisquer outras obrigações, incluindo mas não se limitando a, perdas complementares ou indirectas. A garantia não é válida se o produto tiver sido utilizado incorrectamente, utilizado de forma contrária ao Manual de Instruções ou se as respectivas ligações tiverem sido feitas incorrectamente. Esta garantia não se aplica ao seguinte:
 - quaisquer danos ao produto que sejam resultado de manutenção incorrecta
 - qualquer produto que tenha sido alterado ou modificado
 - qualquer produto cujas marcações de identificação de origem (marca comercial, número de série) tiverem sido apagadas, alteradas ou retiradas
 - quaisquer danos causados pelo incumprimento do Manual de Instruções
 - qualquer produto que não seja da Comunidade Europeia
 - qualquer produto ao qual tenha sido feita, ou tentada fazer, uma reparação por outra pessoa que não um profissional habilitado ou sem autorização prévia da Technonic Industries.
 - qualquer produto ligado a uma fonte de alimentação eléctrica incorrecta (Amperes, Voltagem e Frequência)
 - qualquer produto utilizado com uma mistura de combustível incorrecta (combustível, óleo, percentagem de óleo)
 - qualquer dano causado por influências externas (químicas, físicas, impactos) ou substâncias estranhas
 - desgaste e degradação normal de sobresselentes
 - utilização incorrecta, sobrecarga da ferramenta
 - utilização de acessórios ou peças não aprovados
 - quaisquer ajustes periódicos a, ou limpeza de manutenção de, carburadores
 - Componentes (peças e acessórios) sujeitos a desgaste e degradação natural, incluindo mas não se limitando a, manganetas anti-choque, correias de transmissão, embraiagens, lâminas de recortadores de sebes ou corta-relvas, arneses, cabos de acelerador, escovas de carvão, cabos eléctricos, dentes, anilhas de feltro, pinos de engate, ventoinhas do soprador, tubos do soprador e do aspirador, cintas e sacos do aspirador, barras de guia, correntes de serra, mangueiras, peças de ligação, bocais de pulverização, rodas, varinhas de pulverização, bobinas interiores, bobinas exteriores, linhas de corte, velas de ignição, filtros do ar, filtros de gasolina, lâminas trituradoras, etc.
4. Para assistência, o produto tem de ser enviado para, ou apresentado em, um posto de assistência autorizado RYOBI, conforme listado para cada país na lista de moradas de postos de assistência seguinte. Nalguns países, o seu concessionário RYOBI local encarega-se de enviar o produto para a organização de assistência RYOBI. Quando enviar um produto para um posto de assistência RYOBI, o produto deve ser embalado de forma segura, sem conter nenhuns conteúdos perigosos (por exemplo, gasolina), marcado com o endereço do remetente e acompanhado por uma breve descrição da avaria.
5. Uma reparação/substituição ao abrigo desta garantia é gratuita. Não constitui um prolongamento a, nem um novo início de, o período da garantia. As peças ou ferramentas substituídas tornam-se propriedade nossa. Nalguns países, o remetente terá de pagar os custos de entrega ou a remessa postal. Os seus direitos previstos por lei resultantes da compra da ferramenta mantêm-se inalterados
6. Esta garantia é válida na Comunidade Europeia, Suíça, Islândia, Noruega, Liechtenstein, Turquia e Rússia. Fora destas áreas, entre em contacto com o seu concessionário autorizado RYOBI para determinar se existe outra garantia aplicável.

CENTRO DE ASSISTÊNCIA AUTORIZADO

Para encontrar um centro de assistência autorizado próximo de si, visite <http://pt.ryobitools.eu/header/service-and-support/service-agents>.

DA RYOBI® BETINGELSER FOR GARANTI

Udover lovbestemte rettigheder, som resulterer af købet, er dette produkt dækket af en garanti, som anføres herunder.

1. Garantiperioden er 24 måneder for forbrugere og begynder på den dato, som produktet blev købt. Denne dato skal dokumenteres af en faktura eller andet bevis for køb. Produktet er udelukkende designet og dedikeret til forbrugere og privat brug. Så der ydes ingen garanti til tilfældige af professionelle eller kommerciel brug.
2. Der er en mulighed for at forlænge garantiperioden for en del af udvalget af haveværktøj (AC/DC), hen over den ovenfor beskrevne periode vha. registrering på hjemmesiden www.ryobitools.eu. Berettigelsen af værktøjet til forlængelse af garantiperioden er tydeligt vist i butikker og/eller på emballage/og indeholdt i produktokumentationen. Slutbruger skal registrere hans/hendes nyligt indkøbte værktøj online indenfor 30 dage efter købsdatoen. Slutbruger kan registrere sig for den forlængede garanti i sit land, hvis han/hun er opført på den online registreringsformular, hvor denne mulighed er gyldig. Derudover skal slutbrugere give deres samtykke til at opbevare data, som er påkrævet til indtaste online, og de er nødt til at acceptere vilkår og betingelser. Registreringsbekræftelseskvitteringen, som sendes ud på e-mail, og den originale faktura, som viser købsdatoen, vil fungere som bevis for den forlængede garanti.
3. Garantien dækker alle defekter, som et produkt måtte have i løbet af garantiperioden, og som skyldes produktionsfejl eller materialefejl på købsdatoen. Garantien er begrænset til reparation og/eller udskiftning og inkluderer ikke andre forpligtelser, inklusiv men ikke begrænset til tilfældige skader eller følgeskader. Garantien er ugyldig, hvis produktet er blevet misbrugt, brugt uden at overholde vejledningen, eller det er blevet forkert tilslett. Denne garanti gælder ikke:
 - Beskadigelse af produktet, som er et resultat af uegnet vedligeholdelse
 - Et produkt der er blevet ændret eller modificeret
 - Et produkt hvor de originale identifikationsmærkninger (varemærke, serienummer) er blevet ødelagt, ændret eller fjernet.
 - Enhver beskadigelse forårsaget af manglende overholdelse af vejledningen
 - Ethvert ikke CE-produkt
 - Ethvert produkt som er blevet forårsaget af en ukvalificeret professionel eller uden tidligere foranstaltning af Technonic Industries.
 - Ethvert produkt som er tilslettet uegnet strømforsyning (ampere, spænding, frekvens)
 - Ethvert produkt som bruges med uegnet brændstoftilblanding (brændstof, olie, procentdel olie)
 - Enhver skade forårsaget af ekstern påvirkning (kemisk, fysisk, chok) eller fremmedelementer
 - Normal slid på reservedele
 - Uegnet brug, overbelastning af værktøjet
 - Brug af ikke-godkendt tilbehør eller dele
 - Alle regelmæssige justeringer eller vedligeholdelsesrengøring af karburatorer
 - Komponenter (dele og tilbehør) som er udsat for naturlig slid og ælde, inklusiv men ikke begrænset til drejeknapper, drivrem, greb, klinger til hæktrimmere eller plæneklippere, sele, kabel gasspjæld, kulbørster, elledning, tænder, filtskiver, ophængstapper, blæserventilatorer, blæser- og sugeslanger, sugepose og stropper, styrestænger, savkæder, slanger, forbindelsespakninger, sprøjtedyser, hjul, sprøjtestave, indvendige ruller, udvendige ruller, udvendige spoler, skærelinjer, tændrør, luftfilter, gasfilter, tildækningsblade etc.
4. For eftersyn skal produktet sendes til eller præsenteres for en RYOBI- autoriseret service værksted, som er oplyst for hvert land i den følgende liste over service værksted adresser. I nogle lande påtager din lokale RYOBI-forhandler sig ansvaret for at sende produktet til RYOBI-serviceorganisationen. Når et produkt sendes til en RYOBI-service værksted, skal det pakkes sikkert ind uden noget farligt indhold som benzin, mærkes med afsenderens adresse og med en kort beskrivelse af fejlen.
5. En reparation/erstatning under denne garanti er gratis. Den udgør ikke en forlængelse eller en ny start på garantiperioden. Uvedligede dele eller værktøjer bliver vores ejendom. I nogle lande skal leveringsafgifter eller porto betales af afsenderen. Dine lovbestemte rettigheder i forbindelse med købet forbliver uanfægtede
6. Denne garanti gælder i EU, Schweiz, Island, Norge, Liechtenstein, Tyrkiet og Rusland. Udenfor disse områder bedes du kontakte din autoriserede RYOBI-forhandler for at afgøre, om en anden garanti gælder.

AUTORISEREDE SERVICEVÆRKSTEDER

Find nærmeste autoriserede serviceværksted på <http://dk.ryobitools.eu/header/service-and-support/service-agents>.

SV RYOBI® ANVÄNDNINGSVILLKOR FÖR GARANTI

Förutom eventuella lagstadgade rättigheter som uppstår genom köpet, täcks den här produkten av en garanti som anges nedan.

- Garantiperioden är 24 månader för konsumenter och börjar gälla från det datum då produkten köptes. Detta datum måste dokumenteras på en faktura eller annat köpbevis. Produkten är utformad och avsedd för konsumenter och privat bruk. Därmed tillhandahålls ingen garanti vid yrkesmässigt eller kommersiellt bruk.
- Det finns möjlighet att förlänga garantiperioden för en del av utbudet för trädgårdsverktyg (AC/DC) under den period som anges ovan genom att använda registreringen på webbplatsen www.ryobitools.eu. De verktyg som är berättigade till en förlängning av garantiperioden visas tydligt i butik eller online på förpackningen och anges i produktdokumentationen. Slutanvändaren behöver registrera hans/hennes nyförvävade verktyg online inom 30 dagar från köpdatumet. Slutanvändaren kan registrera sig för den förlängda garantin i det land där han/hon bor om landet finns angivet i registreringsformuläret online och där detta alternativ är giltigt. Dessutom måste slutanvändaren ge sitt medgivande till lagring av data vilket krävs vid registrering online samt acceptera villkoren. Bekräftelsekvittot för registreringen som skickas ut via e-post och originalfakturan som visar köpdatumet kommer att gälla som bevis för den förlängda garantin.
- Garanti täcker alla produktdefekter under garantiperioden som beror på brister i utförande eller material vid köpdatumet. Garantin är begränsad gällande reparation och/eller utbyte och inkluderar inte några skyldigheter inklusive men inte begränsat till oförutsedda skador eller följdskador. Garantin är inte giltig om produkten har missbrukats, använts i strid med bruksanvisningen eller inte anslutits på rätt sätt. Denna garanti täcker inte:
 - eventuella skador på produkten som uppstått till följd av felaktigt underhåll
 - produkter som har ändrats eller modifierats
 - produkter där ursprungliga identifieringsmärkningarna (varumärke, serienummer) har målats över, ändrats eller tagits bort
 - eventuella skador som uppstått till följd av att bruksanvisningen inte efterföljts
 - alla icke CE-produkter
 - eventuella produkter som har försökts repareras av en icke-kvalificerad yrkesman eller utan föregående medgivande från Techtronic Industries.
 - eventuella produkter som anslutits till felaktig strömförsörjning (ampere, volt, frekvens)
 - eventuella produkter som använts med olämplig bränsleblandning (bränsle, olja, oljeprocent)
 - eventuella skador som uppstått till följd av yttre påverkan (kemisk, fysisk, stöt) eller främmande ämnen
 - normalt slitage av reservdelar
 - olämplig användning, överbelastning av verktyget
 - användningen av icke-godkända tillbehör eller delar
 - Eventuella periodiska justeringar av eller vid underhållsrengöring av förgasare
 - Komponenter (delar och tillbehör) är föremål för naturligt slitage, inklusive men inte begränsat till tryckknappar, drivremmar, koppling, blad till kantrimrar eller gräsklippare, sele, gasreglagevajer, kolborstar, strömsladd, spetsar, filtbrickor, kopplingsprint, blåsfäkt, blås- och sugrör, sugpåse och remmar, styrskenor, sägkedjor, slangar, anslutningsdonördel, spraymunstycken, hjul, spraystavar, innerrullar, ytterspolar, skärtråd, tändstift, luftfilter, gasfilter, sönderdelningsblad osv.
- Vid service måste produkten skickas eller uppvisas för en RYOBI- auktoriserad servicestation som står angiven för varje land i följande adresslista över servicestationer. I vissa länder tar din lokala RYOBI- återförsäljare på sig ansvaret att skicka produkten till RYOBI- serviceorganisationen. När en produkt skickas till en RYOBI-servicestation, ska produkten paketeras säkert utan något farligt innehåll såsom bensin, markeras med avståndens adress samt en kort beskrivning av felet.
- En reparation/ett utbyte under denna garanti är kostnadsfri. Det utgör inte en förlängning eller förnyelse av garantiperioden. Utbyta delar eller verktyg blir vår egendom. I vissa länder måste leveranskostnader eller porto betalas av avståndens. Dina lagstadgade rättigheter som härrör från köpet av verktyget förblir opåverkade
- Denna garanti är giltig i Europeiska gemenskapen: Schweiz, Island, Norge, Liechtenstein, Turkiet och Ryssland. Utanför dessa länder, kontakta din auktoriserade RYOBI-återförsäljare för att avgöra om en annan garanti gäller.

AUKTORISERAT SERVICECENTER

Du hittar närmaste auktoriserade servicecenter genom att gå till <http://se.ryobitools.eu/header/service-and-support/service-agents>.

FI RYOBI®-TAKUUN SOVELTAMISEHDOT

Tällä tuotteella on oston luomien lakisäasteiden oikeuksien ohella alla mainitun mukainen takuu.

- Takuun kesto on kuluttajille 24 kuukautta ja takuuaika alkaa tuotteen ostohetkestä. Tämän päivämäärän tulee lukea laskussa tai muussa ostositotteesta. Tuote on suunniteltu ja tarkoitettu vain kuluttajien ja yksityiseen käyttöön. Takuu ei siis kata ammatti- eikä kaupallista käyttöä.
- Joidenkin puutarhatyökalujen (AC/DC) takuun kesto on mahdollista laajentaa yllä mainittua kesto pidemmäksi verkkosivuston www.ryobitools.eu rekisteröinnin kautta. Työkalujen kelpoisuus takujakson laajennukseen näkyy selkeästi myymälöissä ja/tai pakkauskissa ja/tai tämä tieto sisältyy tuotedokumentaatioon. Loppukäyttäjän täytyy rekisteröidä vasta hankittu työkalu internetissä 30 päivän kuluessa ostopäivämäärästä. Loppukäyttäjän voi rekisteröidä laajennetun takuun kotimaassaan, jos se on luettuna online-rekisteröintilomakkeessa, jossa mainitaan, missä tämä vaihtoehto on voimassa. Loppukäyttäjien täytyy lisäksi hyväksyä tietojen tallennus, jotka heidän täytyy antaa online-tilassa sekä ehdot. Rekisteröinnin vahvistuskuitti, joka lähetetään sähköpostitse, ja alkuperäinen ostopäivämäärän ilmaiseva lasku toimivat laajennetun takuun tositteina.
- Takuu kattaa kaikki tuotteen takuuaikana tulevat viat, joiden aiheuttajina ovat tuotteen ostopäivän olleet valmistus- tai materiaaliviat. Takuu on rajoitettu korjaukseen ja/tai vaihtoon eikä se sisällä mitään muita velvoitteita mukaan lukien satunnaisia ja seurannaisvahinkoja, mutta rajoittumatta niihin. Takuu ei päde, jos tuotetta on käytetty väärin, käyttöohjeen vastaisesti tai jos se on liitetty virheellisesti. Tämä takuu ei kata:
 - virheellisesti huolosta johtuvia vaurioita
 - muunnettua tai muutettua tuotetta
 - tuotetta, jonka alkuperäiset tunnistemerkinnät (tavaramerkki, sarjanumero) on turmeltu, muutettu tai poistettu
 - tämän käyttööppaan laiminlyönnistä johtuvia vaurioita
 - ei-CE-tuotetta
 - tuotetta, jota on yrittänyt korjata epäpätevä ammattilainen tai joka on rajoittu ilman Techtronic Industrien ennakkolupaa.
 - tuotetta, joka on liitetty virheelliseen teholahteeseen (ampeirit, jännite, taajuus)
 - tuotetta, jossa on käytetty väärää polttoaineseosta (polttoaine, öljy, öljyprosentti)
 - ulkoisten vaikutusten (kemiallinen, fyysinen, iskut) tai vieraiden aineiden aiheuttamaa vauriota
 - normaaleja kuluvia varaosia
 - virheellistä käyttöä, työkalun ylikuormitusta
 - ei-hyväksytytjen tarvikkeiden tai osien käyttöä
 - Kaasutinten säännöllistä säätöä tai ylläpitävää puhdistusta
 - Luonnollisesti kuluvia komponentteja (osia tai tarvikkeita), joihin sisältyvät puskunupit, käyttöihinat, kytkin, pensasleikkuriin tai ruohonleikkuriin terät, valjaat, kaasuvaijeri, hiiharijat, virtajohto, piikit, huopatiivisteet, sokkatapit, puhallinten tuulettimet, puhallin- ja imuputket, imuriin säkit ja hinnat, terälevyt, sahankeijut, letkut, liitososat, suihkusuihuttimet, pyörät, ruiskutusputket, sisä- ja ulkokelat, leikkuusuijimat, hehkutulpat, ilmansuodattimet, kaasunsuodattimet, silppuperät yms. näihin kuitenkin rajoittumatta.
- Tuote on lähetettävä huollettavaksi valituttuun RYOBI-huoltoon tai näytettävä silleä. Niiden osissa kussakin maassa löytyvät seuraavasta luettelosta. Joissakin maissa paikallinen RYOBI-jälleenmyyjä huolehtii tuotteen lähetyksestä RYOBI-huolto-organisaatioon. Kun tuote lähetetään RYOBI-huoltoon, se täytyy pakata hyvin ilman vaarallisia aineita, kuten polttoainetta, ja pakkaukseen täytyy merkitä lähettäjän nimi sekä vian lyhyt kuvaus.
- Takuun kattama korjaus/vaihto on maksuton. Se ei tarkoita takuuaajan laajennusta tai alkamista alusta. Vaihdetut osat tai työkalut siirtyvät valmistajan omistukseen. Joissakin maissa lähettäjän täytyy maksaa lähetyskustannukset tai postikulut. Työkalun oston luomat lakisäasteiset oikeudet pysyvät koskemattomina
- Tämä takuu on voimassa Euroopan yhteisössä, Sveitsissä, Islannissa, Norjassa, Liechtensteinissa, Turkissa ja Venäjällä. Ota näiden alueiden ulkopuolella yhteyttä omaan valituttuun RYOBI-jälleenmyyjään ja selvitä, onko jotain muuta takuuta.

VALTUUTETTU HUOLTO

Voit etsiä lähimmän valtuutetun huollon sivulta <http://fi.ryobitools.eu/header/service-and-support/service-agents>.

NO RYOBI® GARANTIBETINGELSER

I tillegg til eventuelle lovbestemte rettigheter som følger av kjøpet, er dette produktet dekket av en garanti som angitt nedenfor.

- Garantiperioden er 24 måneder for konsumenter og gjelder fra den datoen som produktet ble kjøpt. Denne datoen skal dokumenteres med en faktura eller annet kjøpsbevis. Produktet er designet og beregnet kun til konsument- og privat bruk. Så det gis ingen garanti ved profesjonell eller kommersiell bruk.
- For en del av utvalget av hageverktøy (AC/DC) er det mulighet til å utvide garantiperioden i den perioden som er beskrevet ovenfor ved bruk av registrering på nettsidene www.ryobitools.eu. Kvalifiseringen av verktøyene for en utvidelse av garantiperioden er tydelig vist i butikker og 7eller på pakningen / og finnes innen produktdokumentasjonen. Sluttbrukeren må registrere sine nylig anskaffede verktøy online innen 30 dager etter kjøpsdato. Sluttbrukeren kan registrere seg for den utvidede garantien i sitt land hvis det er opplistet på online registreringsskjemaet der dette alternativet er gyldig. Videre må sluttbrukere gi sitt samtykke til oppbevaring av dataene som kreves for å gå online, og de må godta vilkår og betingelser. Registreringsbekreftelsen, som sendes ut på e-post, og den originale fakturaen som viser kjøpsdato, vil tjene som bevis for den utvidede garantien.
- Garantien dekker alle defekter i produktet under garantiperioden på grunn av defekter i utførelse eller materiale på kjøpsdato. Garantien er begrenset til å reparere og/eller erstatte og inkluderer ikke noen andre forpliktelse, inkludert, men ikke begrenset til, tilfeldige eller følgesmessige skader. Garantien er ikke gyldig hvis produktet har blitt misbrukt, brukt på annen måte enn det som beskrives i bruksanvisningen eller er koblet til på feil måte. Denne garantien gjelder ikke for:
 - enhver skade på produktet som er resultat av utilstrekkelig vedlikehold
 - ethvert produkt som har blitt endret eller modifisert
 - ethvert produkt der de originale identifiseringsmerkene (varemerke, serienummer) har blitt uleselig, er endret eller fjernet
 - enhver skade som forårsakes av ikke-overholdelse av instruksjonshåndboken
 - ethvert ikke-CE-produkt
 - ethvert produkt som har blitt forsøkt reparert eller av en ikke-kvalifisert fagperson eller uten tidligere autorisasjon fra Techntron Industries.
 - ethvert produkt tilkoblet feil strømforsyning (ampere, spenning, frekvens)
 - ethvert produkt som brukes med feil drivstoffblanding (drivstoff, olje, prosentandel olje)
 - enhver skade som er forårsaket av eksterne påvirkninger (kjemiske, fysiske, støt) eller fremmede stoffer
 - normal slitasje og sliteserøvedeler
 - feil bruk, overbelastning av verktøyet
 - bruk av ikke-godkjent tilbehør eller deler
 - Eventuelle periodiske justeringer av eller vedlikeholdsrengjøring av forbrennere
 - Komponenter (deler og tilbehør) som er underlagt naturlig slitasje, inkludert, men ikke begrenset til bulkknott, drivreimer, clutch, blader på hektrimmere eller gressklippere, seler, kabelspjeld, karbonbørster, strømledning, kniver, feltpakninger, heispinner, blåsevifter, blåse- og vakuumslang, vakuumpose og reimer, førerstenger, sagkjeder, strømpere, koblingsmonteringer, spraydyser, hjul, spraystenger, indre spoler, ytre spoler, kuttelinjer, tennplugg, luftfilter, gassfilter, mulchingblader osv.
- For service må produktet sendes eller fremlegges for en RYOBI-autorisert servicestasjon opplistet for hvert land i den følgende listen over servicestasjonsadresser. I noen land sender den lokale RYOBI-forhandleren produktet til RYOBI serviceorganisasjonen. Ved å sende et produkt til en RYOBI servicestasjon skal produktet være sikkert pakket uten noe farlig innhold, slik som bensin, merket med senderens adresse og fulgt av en kort beskrivelse av feilen.
- En reparasjon/erstatning under denne garantien er gratis. Den utgjør ingen forlengelse eller en ny start av garantiperioden. Utvekslede deler eller verktøy blir vår eiendom. I noen land vil leveringskostnader eller franking måtte betales av senderen. Dine lovbestemte rettigheter som oppstår fra kjøp av verktøyet forblir uberørt.
- Denne garantien er gyldig i EU, Sveits, Island, Norge, Liechtenstein, Tyrkia og Russland. Utenfor disse områdene ta kontakt med din autoriserte RYOBI-forhandler om en annen garanti gjelder.

AUTORISERT SERVICESENTER

For å finne et autorisert servicecenter i nærheten, gå til <http://no.ryobitools.eu/header/service-and-support/service-agents>.

RU УСЛОВИЯ ПРИМЕНЕНИЯ ГАРАНТИИ НА ПРОДУКЦИЮ RYOBI®

Помимо законных прав, возникающих при покупке, данное изделие покрывается гарантией в соответствии с приведенными ниже пунктами.

- Гарантийный период для покупателя составляет 24 месяца с даты покупки изделия. Дата покупки должна быть подтверждена полностью заполненным гарантийным талоном и чеком о покупке. Данное изделие предназначено только для частного использования покупателем. Поэтому гарантия не распространяется на использование в профессиональных или коммерческих целях.
- Предусмотрена возможность продления для части изделий линейки садовых инструментов (AC/DC) гарантийного периода с помощью регистрации на сайте www.ryobitools.eu. Право инструмента на продление гарантийного периода четко указано в магазинах и / или на упаковке / и содержится в сопутствующей инструменту документации. Конечный пользователь должен зарегистрировать свой приобретенный инструмент в течение 30 дней с даты покупки. Конечный пользователь может зарегистрировать свой инструмент на продление гарантии в стране своего проживания, если она указана в форме онлайн-регистрации. Кроме того, конечный пользователь должен дать свое согласие на хранение данных, которое необходимо ввести в онлайн-форму и принять правила и условия. Подтверждение регистрации, которое вы получите по электронной почте, заполненный гарантийный талон и оригинальный чек, в котором указана дата покупки, будут служить доказательством продленной гарантии.
- Гарантия покрывает в течение гарантийного периода все дефекты качества или материала изделия на дату покупки. Гарантия ограничена ремонтом и / или заменой и не включает никакие другие обязательства, включая, но не ограничиваясь случайными или косвенными убытками. Гарантия становится недействительной, если изделие использовалось не по назначению, вопреки инструкциям, данным в Руководстве пользователя или было неправильно подключено. Настоящая гарантия не распространяется на:
 - любые повреждения изделия в результате неправильного технического обслуживания или недостаточного ухода за инструментом
 - любые изделия, подвергшиеся изменениям и модификации
 - любые изделия, оригинальные идентификационные отметки которого (торговая марка, серийный номер) были повреждены, изменены или удалены
 - любые повреждения, вызванные несоблюдением инструкций Руководства пользователя
 - любые изделия, не сертифицированные маркировкой "CE" для продажи в Европейском союзе
 - любые изделия, подвергшиеся попыткам ремонта невалифицированным работником или без предварительного утверждения компании Techntron Industries.
 - любые изделия, подключенные к неправильному источнику питания (сила тока, напряжение, частота)
 - любые изделия, в которых использовались несоответствующие топливные смеси (топливо, масло, процент масла)
 - любые повреждения, вызванные внешними воздействиями (химические, физические, удары) или посторонними веществами
 - естественный износ запасных деталей
 - несоответствующее использование, перегрузка инструмента
 - использование неутвержденных аксессуаров и неоригинальных запасных деталей
 - любые регулярные регулировки, техническое обслуживание или чистка карбюраторов
 - компоненты (детали и аксессуары), подверженные естественному износу, включая, но не ограничиваясь фиксаторы шпильки приводные ремни, ценные муфты, лезвия триммеров и газонокосилок, плечевые ремни, кабельный дроссельный регулятор, угольные щетки, кабели питания, зубья, войлочные шайбы, фиксирующие шпильки, вентиляторы воздуховодки, трубки воздуховодки и пылесоса, мешок для сбора мусора и ремни, пыльные шины, пыльные цепи, шланги, соединительные детали, распылительные насадки, колеса, распылительные переходники, внутренние катушки и шпильки, режущую леску, свечи зажигания, воздушные и топливные фильтры, мульчирующие лезвия и др.
- Для проведения технического обслуживания изделие следует направлять в авторизованные сервисные центры RYOBI, указанные для каждой страны в приведенном ниже списке адресов сервисного обслуживания. В некоторых странах местные дилеры RYOBI отправляют изделия в сервисные организации RYOBI. При отправке изделия в сервисный центр RYOBI, изделие должно быть безопасно упаковано и не содержать никаких опасных веществ, таких как бензин, должен быть подписан адрес отправителя и сопровождаться кратким описанием неисправности.
- Ремонт / замена проводится в рамках настоящей гарантии бесплатно. Он не продлевает гарантию и не начинает новый гарантийный период. Заменяемые детали и инструменты становятся нашей собственностью. В некоторых странах отправитель должен оплачивать стоимость отправки. Ваши законные права, возникающие при покупке инструмента, остаются неизменными
- Данная гарантия действительна в Европейском Сообществе, Швейцарии, Исландии, Норвегии, Лихтенштейне, Турции и России. Вне указанных территорий обращайтесь к своему авторизованному дилеру RYOBI, чтобы узнать, применяются ли условия каких-либо других гарантий.

УПОЛНОМОЧЕННЫЙ СЕРВИСНЫЙ ЦЕНТР

Чтобы найти ближайший уполномоченный сервисный центр, обратитесь к веб-сайту <http://ru.ryobitools.eu/header/service-and-support/service-agents>.

PL WARUNKI GWARANCJI RYOBI®

Oprócz praw ustawowych wynikających z zakupu produkt jest objęty gwarancją, której warunki podano poniżej.

- Okres gwarancyjny wynosi 24 miesiące dla konsumentów i rozpoczyna się w dniu zakupu produktu. Datę zakupu należy udokumentować fakturą lub innym dowodem zakupu. Produkt został zaprojektowany i jest przeznaczony do użytku konsumenckiego i prywatnego. W związku z tym gwarancja nie obejmuje zastosowań profesjonalnych i komercyjnych.
- Istnieje możliwość wydłużenia okresu gwarancyjnego dla części asortymentu narzędzi ogrodniczych (AC/DC) poprzez zarejestrowanie produktu na stronie internetowej www.ryobitools.eu. Kwalifikowalność narzędzi do wydłużenia okresu gwarancyjnego jest wyraźnie określona w sklepach i/lub na opakowaniu oraz w dokumentacji produktu. Użytkownik końcowy musi zarejestrować nowo kupione narzędzia online w ciągu 30 dni od daty zakupu. Użytkownik końcowy może zarejestrować się w celu przedłużenia gwarancji w swoim kraju zamieszkania, jeżeli jest on wymieniony w formularzu rejestracji online, gdzie opcja ta obowiązuje. Ponadto użytkownicy końcowi muszą wyrazić zgodę na przechowywanie danych, wprowadzanych na stronie internetowej i zaakceptować regulamin. Dowodem wydłużenia gwarancji jest wysłane pocztą elektroniczną potwierdzenie rejestracji i oryginalny faktur potwierdzający datę zakupu.
- Gwarancja obejmuje wszystkie wady produktu ujawnione w okresie gwarancyjnym wynikające usterek wykonania lub materiału obecných w dniu zakupu. Gwarancja jest ograniczona do naprawy i/lub wymiany i nie obejmuje żadnych innych zobowiązań, w tym między innymi odpowiedzialności za szkody przypadkowe lub wtórne. Gwarancja nie obowiązuje, jeżeli produkt był nieprawidłowo używany, używany niezgodnie z instrukcją lub nie był prawidłowo podłączony. Gwarancja nie obejmuje:
 - uszkodzenia produktu wynikającego z nieprawidłowej konserwacji,
 - produktu, który został zmieniony lub zmodyfikowany,
 - produktu, którego oryginalne oznaczenie (znak towarowy, numer seryjny) zostało zniszczone, zmienione lub usunięte,
 - jakichkolwiek uszkodzeń wynikających z nieprzestrzegania instrukcji,
 - jakiegokolwiek produktu bez certyfikatu CE,
 - jakiegokolwiek produktu, który próbowano naprawiać z pomocą niewykwalifikowanej osoby lub bez uzyskania wcześniejszej zgody firmy Techtronic Industries.
 - jakiegokolwiek produktu podłączonego nie nieprawidłowego źródła zasilania (nieprawidłowe napięcie prądu, napięcie, czystość),
 - jakiegokolwiek produktu, który był używany z nieprawidłową mieszanką paliwową (paliwo, olej, procentowy udział oleju),
 - jakichkolwiek uszkodzeń spowodowanych wpływem czynników zewnętrznych (chemicznych, fizycznych, drgań) lub substancji obcych,
 - normalnego zużycia części zamiennych,
 - nieprawidłowego użycia, przeciążenia narzędzia,
 - stosowania niezatwierdzonych akcesoriów lub części,
 - jakichkolwiek okresowych regulacji lub czyszczenia gaźników w ramach konserwacji
 - elementów (części i akcesoriów) podlegających naturalnemu zużyciu, obejmujących, między innymi, kopułki do zwalniania żyłki, pasy napędowe, sprężelgo, ostrza przycinarek do żywoptłotów lub kosiarzek do trawy, uprząż, przepustnicę linkową, szcztolki węglowe, przewód zasilania, zęby, podkładki filcowe, kolki podnośnika, wentylatory dmuchawy, rury nadmuchowe i ssawne, worek na śmieci i paski, prowadnice, łańcuchy piły, węże, mocowanie złącz, dysze natryskowe, koła, oprsy natryskowe, szpule wewnętrzne, szpule zewnętrzne, filtry gaza, zęsta do śoickowania itp.
- W celu serwisowania produkt należy wysłać lub okazać w autoryzowanym punkcie serwisowym RYOBI znajdującym się na przedstawionym poniżej wykazie punktów serwisowych w poszczególnych krajach. W niektórych krajach lokalny dystrybutor produktów RYOBI podejmuje się wysyłki produktu do centrum serwisowego RYOBI. W przypadku wysyłki do punktu serwisowego RYOBI produkt — pozbawiony jakichkolwiek niebezpiecznych substancji, na przykład benzyny — należy bezpiecznie zapakować i dołączyć adres nadawcy oraz krótki opis usterek.
- Naprawa/wymiana w ramach niniejszej gwarancji jest bezpłatna. Nie stanowi jednak o przedłużeniu lub rozpoczęciu od nowa biegu okresu gwarancyjnego. Wymienione części lub narzędzia stają się naszą własnością. W przypadku niektórych krajów nadawca będzie musiał uregulować koszty dostawy lub opłaty pocztowe. Prawa ustawowe wynikające z zakupu narzędzia pozostają niezmiennione.
- Niniejsza gwarancja obowiązuje w Unii Europejskiej, Szwajcarii, Islandii, Norwegii, Liechtensteinie, Turcji i Rosji. Poza tymi obszarami należy skontaktować się z autoryzowanym dostawcą produktów RYOBI i ustalić, czy obowiązuje inna gwarancja.

AUTORYZOWANY PUNKT SERWISOWY

Najbliższy autoryzowany punkt serwisowy można wyszukać w witrynie internetowej <http://pl.ryobitools.eu/header/service-and-support/service-agents>.

CS ZÁRUČNÍ PODMÍNKY RYOBI®

Kromě zákonných práv vyplývajících z koupě výrobku se na tento výrobek vztahuje také níže uvedené záruka.

- Záruční doba pro spotřebitele je 24 měsíců a začíná datem nákupu výrobku. Datum musí být zaznamenáno na faktuře nebo jiném dokladu o koupi. Tento výrobek je navržen a určen pouze pro soukromé účely spotřebitelů. Záruka se tedy nevztahuje na profesionální nebo komerční využití výrobku.
- U některých zahradních nástrojů (AC/DC) je možné záruční dobu prodloužit. K tomu je nutná registrace na stránkách www.ryobitools.eu. Možnost prodloužené záruční doby výrobků je jasně uvedena v prodejních, popř. na obalech nebo v dokumentech o výrobku. Koncový uživatel musí svůj nový nástroj zaregistrovat online do 30 dnů od data nákupu. Koncový uživatel se může k prodloužené záruční době zaregistrovat v zemi trvalého pobytu, pokud je tato uvedena na internetovém registračním formuláři u výrobku, kde je tato možnost dostupná. Koncoví uživatelé musí dále souhlasit s uložením osobních údajů, která musí zadat na internetu, a přijmout obchodní podmínky. E-mail s potvrzením registrace a původní faktura s datem koupě poslouží jako důkaz o prodloužené záruce.
- Záruka se vztahuje na veškeré vady na výrobku v rámci záruční doby způsobené výrobními vadami nebo vadami materiálu v době koupě. Záruka je omezena na opravu, popřípadě výměnu a nezahrnuje žádné další povinnosti, včetně mimo jiné vedlejších či následných odškodnění. Záruka neplatí při použití výrobku k nevhodným účelům, v rozporu s uživatelskou příručkou nebo při nesprávném zapojení. Záruka se nevztahuje na:
 - veškeré škody na výrobku způsobené nesprávnou údržbou
 - veškeré produkty, které byly pozměněny nebo opraveny
 - veškeré produkty, kde byly původní identifikační prvky (obchodní značka, sériové číslo) poničeny, pozměněny nebo odstraněny
 - veškeré škody způsobené nedodržováním pokynů uživatelské příručky
 - veškeré produkty bez CE certifikace
 - veškeré produkty, které se pokusil opravit nekvalifikovaný odborník nebo opravy bez předchozího svolení společnosti Techtronic Industries.
 - veškeré produkty zapojené do nesprávného elektrického zdroje (proud, napětí, frekvence)
 - veškeré produkty používané s nevhodnou palivovou směsí (paliwo, olej, procento oleje)
 - veškeré škody způsobené externími vlivy (chemickými, fyzickými, nárazy) nebo cizími látkami
 - běžné opotřebování dílů
 - nevhodné použití, přetěžování nástroje
 - použití neschválených příslušenství nebo dílů
 - veškerá pravidelná seřízení nebo čištění v rámci údržby karburátorů
 - komponenty (díly a příslušenství) podléhající opotřebení, včetně mimo jiné nárazových koleček, posuvných pásů, spojek, nožů plotových nůžek a sekaček na trávu, popruhu, plynového lanka, karbonových kartáčů, napájecího kabelu, zubů, plstěných podložek, závěsných kolků, větráků fukaru, trubic fukaru a vysavače, vaku a popruhu vysavače, vodících lišt, pilových řetězů, hadic, konektorů, trysek, kol, stříkacích tyčí, vnitřních cívek, vnějších kotoučů, řezných strun, zapalovacích svíček, vzduchových filtrů, plynových filtrů, mulčovačích nožů atd.
- K provedení servisu musí být výrobek zaslán nebo předán do autorizovaného servisního centra společnosti RYOBI, jejichž adresy jsou uvedeny podle zemi v seznamu servisních center. V některých zemích za vás výrobek pošle servisní organizaci RYOBI sám prodejce výrobků této značky. Při zaslání výrobku do servisního centra RYOBI je potřeba výrobek bezpečně zabalit bez nebezpečného obsahu jako benzín, opatřit adresou odesílatele a připojit krátký popis závady.
- Oprava, popř. výměna v rámci této záruky je zdarma. Neznamená to prodloužení nebo začátek nové záruční lhůty. Vyměněné díly nebo nástroje přejdou do našeho vlastnictví. V některých zemích platí poštovné odesílatele. Vaše zákonná práva vyplývající z koupě tohoto nástroje zůstávají nedotčena.
- Tato záruka platí v Evropském Společenství, Švýcarsku, Norsku, Lichtenštejnsku, Turecku, Rusku a na Islandu. Mimo tato území kontaktujte autorizovaného prodejce značky RYOBI, který zjistí, zda se na výrobek vztahuje jiná záruka.

POVĚŘENÉ SERVISNÍ STŘEDISKO

Pro nalezení nejbližšího pověřeného servisního střediska navštivte <http://cz.ryobitools.eu/header/service-and-support/service-agents>.

HU A RYOBI® GARANCIA ALKALMAZÁSÁNAK FELTÉTELEI

A vásárlásból adódó törvényben rögzített jogok mellett a termékre az alábbi garancia vonatkozik.

1. A fogyasztói garancia tartama 24 hónap, mely a termék vásárlásának napjával kezdődik. Ezt a dátumot számlával vagy a vásárlást igazoló egyéb dokumentummal kell bizonyítani. A termék rendelkezése csak fogyasztói és magán célú használat. Ezért professzionális vagy kereskedelmi használat esetén a garancia nem érvényes.
2. A kerti szerszámok (egyenáramú/váltóáramú) egy részénél a garancia időtartama a www.ryobitools.eu weboldalon regisztrálva meghosszabbítható. Az áruházakban, a csomagoláson, illetve a termék dokumentációjában egyértelműen jelezzük, hogy az adott termék garanciája meghosszabbítható-e. A végfelhasználónak a vásárlás dátumától számított 30 napon belül regisztrálnia kell az újonnan vásárolt szerszámot. A végfelhasználó akkor regisztrálhat a kiterjesztett garanciára, ha az ország, ahol lakik, fel van sorolva az online regisztrációs űrlapon azon országok között, ahol választható ez az opció. Ezenkívül a végfelhasználónak bele kell egyeznie az online regisztrálás során szükséges adatok tárolásába, és el kell fogadnia a felhasználási feltételeket. A kiterjesztett garanciát a regisztráció beérkezésétől e-mailben küldött visszaigazolás és a vásárlás dátumát tartalmazó eredeti számla igazolja.
3. A garancia a termék vásárlásakor fennálló, a gyártás során keletkezett hibákra és anyaghibákra érvényes a garanciális időtartamon belül. A garancia csak a javításra/cseréire korlátozódik, és nem terjed ki semmilyen egyéb kötelezettségre, nem kizárólagosan ideértve a véletlen vagy szándékos rongálást. A garancia nem érvényes, ha a terméket nem megfelelően, a használati utasításban foglaltakkal ellentétben, illetve nem megfelelően csatlakoztatva használták. A garancia nem vonatkozik:
 - a terméket a nem megfelelő karbantartás következtében ért károsodásra – megváltoztatott vagy átalakított termékre
 - olyan termékre, melyen az eredeti azonosítókat (védjegy, sorozatszám) megrongálták, megváltoztatták vagy eltávolították
 - a használati utasítás be nem tartásából eredő kárra
 - CE jelöléssel nem rendelkező termékekre
 - olyan termékre, melyet nem képzett, illetve a Techtronic Industries által nem feljogosított szerelő javított
 - nem megfelelő (áramerősségű, feszültségű, frekvenciájú) áramforrásra csatlakoztatott termékre
 - nem megfelelő üzemanyag-keverékkel (üzemanyag, olaj, olaj aránya) használt termékre
 - külső (fizikai, utás) hatásokból vagy idegen anyagokból eredő károkra
 - a cserélhető alkatrészek természetes kopására és elhasználódására
 - a szerzőszám helytelen használatára, tültetésére
 - nem jóváhagyott tartozékok és alkatrészek használatára
 - A karburátorok rendszeres beállítása, karbantartása, tisztítása
 - A természetes kopásnak és elhasználódásnak kitett alkatrészek és kiegészítők, például (de nem kizárólag) damildobok, ékszíjak, foglalatok, sövényvágók és fűnyírók kése, heveder, gázbowden, szénkefék, tápkábel, kultivátorfogak, ficalátétek, akasztószögek, fűvókészülékek ventilátora, fűvő- és szívócsövek, szívózsák és pántok, terelőrudak, fűrészláncok, tömlők, csatlakozószervevények, permetezőfejek, kerekék, permetezőszárak, belső dobok, külső csévék, vágódamlok, gyűjtőgyertyák, légszűrők, gázsűrők, mulcsozókések stb.
4. A terméket javításra el kell vinni egy meghatalmazott RYOBI szervizbe; ezeket a egyes országokhoz a következő listában találja. Egyes országokban a helyi RYOBI kereskedő vállalja a termék elszállítását a RYOBI szervizbe. A terméket veszélyes tartalom, például benzín nélkül csomagolva, a feladó címét feltüntetve, a hiba rövid leírásával együtt küldje el a RYOBI szervizbe.
5. A jelen garancia hatálya alatt végzett javítás, illetve csere ingyenes. Nem jelenti a garanciális időtartam újraindulását. A kicserélt alkatrészek és szerszámok a mi tulajdonunkba kerülnek. Egyes országokban a szállítás vagy postázás költségét a feladó viseli. A vevőnek a szerzőszám megvásárlásából adódó törvényes jogai nem változnak.
6. Jelen garancia az Európai Közösségben, Svájcban, Izlandon, Norvégiában, Liechtensteinben, Törökországban és Oroszországban érvényes. E területen kívül kérdezze meg a RYOBI forgalmazót, hogy milyen garancia van érvényben.

HIVATALOS SZERVIZKÖZPONT

A legközelebbi hivatalos szervizközpont megtalálásához látogasson el a <http://hu.ryobitools.eu/header/service-and-support/service-agents>.

RO CONDIȚII DE APLICARE A GARANȚIEI PENTRU PRODUSELE RYOBI®

În plus față de condițiile statutare rezultate din achiziționarea acestui produs, acesta este acoperit de garanția stipulată mai jos.

1. Perioada de garanție este de 24 de luni pentru consumatori și începe de la data achiziționării produsului. Data de începere a garanției trebuie demonstrată cu o factură sau altă dovadă a cumpărării produsului. Produsul este destinat și conceput doar pentru utilizare în scopuri personale. Din acest motiv, nu se oferă garanție pentru utilizarea sa în scop profesional sau comercial.
2. Există posibilitatea de extindere a perioadei de garanție pentru gama de unelte electrice pentru grădina (de CA/CC) peste perioada stipulată mai sus prin înscrierea produsului pe website-ul www.ryobitools.eu. Eligibilitatea pentru perioada de extindere a garanției este afișată în mod clar în magazinele de vânzare și/sau pe ambalaj sau este inclusă în documentația livrată împreună cu produsul. Utilizatorul final este obligat să-și înregistreze produsul online în termen de maxim 30 de zile de la achiziția acestuia. Utilizatorul final poate înregistra produsul pentru garanția extinsă oferită în țara sa de rezidență dacă aceasta este listată în formularul de înregistrare online și dacă această opțiune este validă. În plus, utilizatorii finali trebuie să-și dea acordul pentru stocarea datelor personale solicitate la înregistrarea online și trebuie să accepte termenii și condițiile. Mesajul de confirmare a înregistrării, trimis prin e-mail și factura originală cu data achiziției vor dovedi perioada de garanție extinsă.
3. Garanția acoperă toate defecțiunile produsului survenite în perioada de garanție datorate defectelor de execuție sau materialelor folosite, începând cu data achiziției acestuia. Garanția este limitată la reparare și/sau înlocuire și nu include alte obligații, inclusiv, dar fără a se limita la daune accidentale sau rezultate pe cale de consecință. Garanția își pierde valabilitatea dacă produsul este utilizat necorespunzător, utilizează necorespunzător instrucțiunile de utilizare din manualul cu instrucțiuni sau conectat incorect. Garanția nu se aplică în cazul:
 - oricărei defecțiuni survenite în urma înnecării necorespunzătoare a produsului
 - oricărui produs alterat sau modificat
 - oricărui produs la care inscripțiile cu datele de identificare (marca comercială, numărul de serie) au fost șterse, modificate sau îndepărtate
 - oricărei defecțiuni datorate neconformării cu instrucțiunile din manualul de utilizare
 - oricărui produs necertificat CE
 - oricărui produs asupra căruia au fost efectuate tentative de reparare de către personal necalificat sau fără autorizație prealabilă din partea Techtronic Industries.
 - oricărui produs conectat la o sursă de alimentare necorespunzătoare (curent, tensiune, frecvență)
 - oricărui produs utilizat cu un amestec de carburant necorespunzător (combustibil, ulei, proporții de adaos ulei)
 - oricărui defecțiune datorate unor influențe externe (chimice, fizice, șocuri) sau substanțe străine
 - uzurii și fisurării normale a pieselor de rezervă
 - utilizării neadecvate, suprasolicitării uneltei
 - utilizării de piese și accesorii neaprobate
 - Operațiunile de curățare sau reglare periodică a carburatoarelor
- Componentele (piese și accesorii) supuse uzurii și defectării normale, care includ, fără a se limita la manșoane de protecție, curele de transmisie, ambreiaji, lamele de la tăietoarele de arbore sau gazon, harnașamente, cablu de accelerație, perii de cărbune, cordon de alimentare, dinți, discuri de păslă, știfturi de siguranță, ventilatoare de suflantă, tuburi de aspirare sau suflare, sac de colectare resturi și banda de susținere a acestuia, bare de ghidare, lanțuri de fierăstrău, furturniri, accesorii de conectare, duze de pulverizare, volante, baghete de pulverizare, moșoare interne, carcase exterioare pentru moșoare, fire tăietoare, bujii, filtre de aer, filtre de gaz, lame de tocător, etc.
4. Pentru efectuarea reparațiilor, produsul trebuie trimis sau adus la un centru de reparații autorizat RYOBI din lista următoare de centre de reparații prezentate pentru fiecare țară. În anumite țări, reprezentatul local RYOBI va trimite produsul spre reparare la sediul central de reparații RYOBI. Atunci când trimiteți produsul spre reparare la un centru de reparații RYOBI, acesta trebuie ambalat în siguranță, fără conținut periculos (cum ar fi benzină), marcat cu adresa expeditorului și însoțit de o scurtă descriere a defectului.
5. Repararea/înlocuirea în perioada de garanție este gratuită. Aceasta nu este însoțită de o prelungire sau o reințiere a perioadei de garanție. Piesele sau uneltele schimbate devin proprietatea dvs. În anumite țări, taxele de expediție sau postate vor fi suportate de expeditor. Drepturile dvs. statutare rezultate din achiziția produsului rămân ne schimbate.
6. Această garanție este valabilă în Comunitatea Europeană, Elveția, Islanda, Norvegia, Liechtenstein, Turcia și Rusia. În afara acestor zone, vă rugăm să contactați reprezentantul dvs. local RYOBI pentru a determina dacă se aplică alt tip de garanție.

CENTRU DE SERVICE AUTORIZAT

Pentru a găsi un centru de service autorizat dvs., vizitați <http://uk.ryobitools.eu/header/service-and-support/service-agents>.

LV RYOBI® GARANTIJAS PIEMĒROŠANAS NOSACĪJUMI

Papildus jebkādam likumiskajām tiesībām, kuras rodas, veicot pirkumu, izstrādājums tiek nodrošināts ar tālāk tekstā noteikto garantiju.

- Garantijas periods patērētājiem ir 24 mēneši, tas atskaitē tiek sāktas no datuma, kurā veikta izstrādājuma iegāde. Šim datumam jābūt dokumentētām rēķinā vai citā pirkumu apliecināso dokumentā. Izstrādājums ir radīts un paredzēts tikai patērētāja privātai lietošanai. Saisītībā ar iepriekšminēto, garantija netiek nodrošināta profesionālās vai komerciālas lietošanas gadījumā.
- Pastāv iespēja pagarināt daļas no dārza instrumentu klāsta (Maignstrāvas/akumulatoru) garantiju ilgāk par iepriekš minēto periodu, izmantojot reģistrāciju interneta vietnē www.ryobitools.eu. Instrumenti, kas pakļauti garantijas perioda pagarināšanai, tiek skaidri apzīmēti veikalos un/vai uz iepakojuma un izstrādājumu komplektējošajā dokumentācijā. Gala lietotājam nepieciešams reģistrēt tā iegādāto jauno instrumentu 30 dienu laikā no pirkuma datuma. Gala lietotājs var reģistrēties pagarinātajai garantijai savā mītnes valstī, ja tā minēta tiešsaistes reģistrācijas veidlapā, kurā šī iespēja ir aktīva. Bez tam, gala lietotājam ir jāsniedz pierādīšana tiešsaistes ievadīšanai nepieciešamo datu glabāšanai un jāpiekrīt noteikumiem un nosacījumiem. Reģistrācijas apstiprinājums, kas tiek nosūtīts, izmantojot e-pastu, un rēķina oriģināls, kurā norādīts iegādes datums, kalpo kā pagarinātās garantijas apstiprinājums.
- Garantija attiecas uz visiem izstrādājumu defektiem garantijas periodā, kas saistīti ar ražošanas vai materiālu defektiem no pirkuma datuma. Šī garantija tiek ierobežota ar remontu un/vai nomaiņu un neietver jebkādas citas saistības, tajā skaitā, bet ne tikai, cēloņsakarīgos vai saistītos bojājumus. Garantija nav spēkā, ja izstrādājums ir nepareizi lietots, izmantots pretēji norādēm lietošanas rokasgrāmātā vai bijis nepareizi pieslēgts. Šī garantija netiek attiecināta uz:
 - jebkādiem izstrādājuma bojājumiem, kas radušies nepareizas uzstādīšanas rezultātā
 - jebkuru izstrādājumu, kas ticis pārveidots vai mainīts
 - jebkuru izstrādājumu, kura oriģinālais identifikācijas (preču zīme, sērijas numurs) marķējums ir ticis nodzēsts, mainīts vai noņemts
 - jebkādiem bojājumiem, kuri radušies neievērojot norādes lietošanas rokasgrāmātā
 - jebkādam izstrādājumam bez CE sertifikācijas
 - jebkuram izstrādājumam, kura remontu mēģinājis veikt nekvalificēts personāls vai bez Technonic Industries iepriekšējas autorizācijas.
 - jebkuram izstrādājumam, kurš bijis pieslēgts neatbilstošu parametru (strāvas, sprieguma, frekvences) sprieguma avotam
 - jebkuram izstrādājumam, kurš bijis izmantots ar nepareizu degvielas maisījumu (degviela, eļļa, eļļas procentuālais saturs)
 - jebkuriem bojājumiem, kuri radušies ārējas iedarbības (ķīmiskas, fiziskas, triecieni) vai vielu ietekmē
 - detāļu normāla lietošanas nodiluma rezultātā
 - nepareizas lietošanas vai instrumentu pārslodzes rezultātā
 - neapstiprinātu detaļu vai aprīkojuma lietošanas rezultātā
 - jebkādos periodiskus karburatoru regulēšanas darbus vai apkopes tīrīšanu
 - Komponentus (daļas un aksesuārus), kas pakļauti dabīgām nodilumam, ieskaitot, bet neaprobežojoties ar atslēgšanas pogām, piedziņas sīksnādi, sajūgjiem, krūmu šķēru un pļaujmašīnu asmeņiem, uzskabēm, droseļu trošlēm, oglekļa sukām, elektrības vadiem, tapām, filca aplākšņiem, sakābes tapām, pūtēja ventilatoriem, pūtēja un sūkšanas caurulēm, savākšanas maisiem un sīksnādi, vadotņu plankām, zaģu ķēdēm, šūtenēm, savienojumu uzgaļiem, izsmidzinātāja uzgaļiem, riteņiem, izsmidzinātāja caurulēm, iekšējām spoļēm, ārējām spoļēm, pļaušanas aukām, aizdedzes svečēm, gaisa filtriem, degvielas filtriem, mulčēšanas asmeņiem, utt.
- Servisa nodrošināšanai, izstrādājums ir jānodod pilnvarotā RYOBI servisa centrā, kas norādīts katrai valstij tālāk minētajā servisa centru adrešu sarakstā. Dažās valstīs jūsu vietējais RYOBI izplatītājs uzņemas izstrādājuma nosūtīšanu uz RYOBI servisa organizāciju. Nosūtīt izstrādājumu uz RYOBI servisa centru, izstrādājuma jābūt droši iepakotam, tas nedrīkst saturēt bīstamas vielas kā degvielu, sūtiņjam jābūt marķētam ar sūtiņtāja adresi un īsu ķūmes aprakstu.
- Remonts/nomaiņa šīs garantijas ietvaros ir bezmaksas. Tas nerada garantijas perioda pagarināšanu vai jaunu garantiju. Nomināltās daļas vai instrumentu kļūd par mūsu īpašumu. Dažās valstīs piegādes vai pasta izmaksas būs jāapmaksā sūtiņtājam. Jūsu likumiskās tiesības, kas nodibinās, iegādājoties instrumentu, paliek nemainīgas
- Šī garantija ir spēkā Eiropas Kopienā, Šveicē, Islandē, Norvēģijā, Līhtenšteinā, Turcijā un Krievijā. Ārpus šīm teritorijām, lūdz, sazinieties ar jūsu pilnvaroto RYOBI izplatītāju, lai noteiktu, vai ir piemērojama cita garantija.

AUTORIZĒTS APKALPOŠANAS CENTRS

Lai atrastu tuvāko autorizēto apkalpošanas centru, apmeklējiet <http://uk.ryobitools.eu/header/service-and-support/service-agents>.

LT „RYOBI®“ GARANTIJOS TAIKĪMO SĀLYGOS

Papildant bet kokias įstatymuose numatytas perkant atsiřandančias teises, šiam įrenginiui taikoma toliau nurodyta garantija.

- Vartotojams suteikiama 24 mėnesių trukmės garantija nuo įrenginio įsigijimo datos. Ši data turi būti nurodyta sąskaitoje faktūroje ar kitame pirkimą įrodančiame dokumente. Šis įrenginys skirtas tik vartotojų rinkai ir asmeniniam naudojimui. Todėl garantija netaikoma, jei įrenginys naudojamas profesinėms ar komercinėms reikmėms.
- Įsigijus tam tikrus duos įrenginius (AC/DC), suteikiama galimybė pratęsti garantiją, kad ji galioūt ilgiau, nei nurodyta pirmiau, naudojantis registracija interneto svetainėje www.ryobitools.eu. Ar galima pratęsti įrenginio garantiją laikotarpi, aiškiai nurodoma parduotuėse ir (arba) ant įrenginio pakuoės, ir (arba) įrenginio dokumentuose. Galutinis naudotojas turi užregistruoti savo naujai įsigytą įrenginį per 30 dienų nuo įsigijimo datos. Galutinis naudotojas gali registruotis išplėstinei garantijai savo gyvenamojoje šalyje, jei ji nurodyta internetinėje registracijos formoje, kurioje siūloma tokia galimybė. Be to, galutiniai naudotojai turi sutikti su duomenų, kuriuos reikia įvesti internetu, saugojimu ir svetainės naudojimo sąlygomis. Kaip išplėstinės garantijos įrodymas naudojamas registracijos patvirtinimo kvitas, atsiučiamas el. paštu, ir originali sąskaita faktūra, kurioje nurodyta įsigijimo data.
- Ši garantija apima visus garantiniui laikotarpiu aptiktus įrenginio trūkumus, atsiradusius dėl gamybos arba medžiaginių defektų nuo įsigijimo datos. Ši garantija ribojama remontu ir (arba) pakeitimu, ir neapima jokių kitų įsipareigojimų, įskaitant (bet tuo neapsiribojant) šalutinius arba antrinius nuostolius. Garantija anuliuojama, jei įrenginys buvo naudojamas netinkamai, naudojamas ne pagal naudojimo instrukciją arba netinkamai prijungtas. Ši garantija netaikoma:
 - jokiam įrenginiui padarytai žalai, kurią lemė netinkama techninė priežiūra;
 - jokiam įrenginiui, kuris buvo keičiamas ar modifikuojamas;
 - jokiam įrenginiui, kurio originalūs identifikavimo ženklai (prekės ženklas, serijos numeris) buvo sugadinti, pakeisti arba pašalinti;
 - jokiai žalai, kurią lemė naudojimo instrukcijos nesilaikymas;
 - jokiams CE ženklu nepažymėtiems įrenginiams;
 - jokiam įrenginiui, kuri bandė remontuoti nekvalifikuoti asmenys arba kuris buvo remtuojamas be „Technonic Industries“ leidimo;
 - jokiam įrenginiui, kuris buvo prijungtas prie netinkamo maitinimo tinklo (netinkamos srovės, įtampos, dažnio);
 - jokiam įrenginiui, kuris buvo naudojamas su netinkamu degalų mišiniu (degalai, alyva, mašymo santykis);
 - jokiai žalai, kurią lemė išorinis poveikis (cheminis, fizinis, smūgiai) arba pašalinės medžiagos;
 - dėvimosioms dalims;
 - netinkamam naudojimui, įrenginio perkrovai;
 - nepatvirtintų priedų arba dalių naudojimui;
 - detalių reguliariam karburatorių reguliavimui arba priežiūros ir valymo darbams
 - Komponentams (dalims ir priedams), kurie natūraliai dėvisi, įskaitant (bet tuo neapsiribojant) spyruoklines galvutes, pavarų diržus, sankabą, gyvatvorių genėtuvą ar žolijapjūtį geležtes, diržus, trosinį droselį, anglinius šepetėlius, maitinimo kabelį, virbus, fetro poveržles, prikabinimo kaiščius, pūstuvu ventilatorius, pūstuvu ir siurblio vamzdžius, siurblio maišą ir diržus, kreipiamuosius strypus, pjūkle grandines, žarneles, jungiamąsias detales, purškimo antgalius, ratus, purškimo liestukus, vidines rites, išorines rites, pjovimo vielą, uždegimo žvakės, oro filtrus, dujų filtrus, mulčiavimo geležtes ir pan.
- Prireikia atlikti priežiūros darbus, įrenginį reikia siųsti arba atvežti RYOBI įgaliotajam priežiūros centrui, nurodytam kiekvienos šalies priežiūros centrų adrešų sąraše. Kai kuriose šalyse vietinis RYOBI atstovas siunčia įrenginį RYOBI priežiūros organizacijai. Siunčiant įrenginį RYOBI priežiūros centrui, reikia saugiai jį supakuoti pašalinant visas pavojingas medžiagas, pvz., benzina, nurodyti ant pakuotės siuntėjo adresą ir pridėti trumpą gedimo aprašymą.
- Pagal šią garantiją remontas / keitimas atliekami nemokamai. Tokie veiksmai netaikomi garantijos pratęsimu arba naujo garantinio laikotarpio pradžia. Dalys arba įrenginiai, kuriuos pakeitėme, tampa mūsų nuosavybe. Kai kuriose šalyse pristatymo ir pašto išlaidas turi padengti siuntėjas. Įstatymuose numatytos jūsų teisės, atsiřandančios perkant įrenginį, lieka nepakeistos
- Ši garantija galioja Europos bendrijoje, Šveicarijoje, Islandijoje, Norvegijoje, Lichtenšteine, Turkiijoje ir Rusijoje. Jei gyvenate ne šiose šalyse, kreipkitės į įgaliotąjį RYOBI atstovą ir sužinokite, ar jums taikoma kita garantija.

ĮGALIOTAS TECHININĖS PRIEŽIŪROS CENTRAS

Jei norite surasti įgaliotą techninės priežiūros centrą netoli Jūsų, apsilankykite interneto svetainėje <http://uk.ryobitools.eu/header/service-and-support/service-agents>.

ET RYOBI® GARANTIINGIMUSED

Lisaks toote ostust tulenevatele seadusjärgsetele õigustele, kehtib tootele ka alltoodud garantiiga.

1. Tarbijatele on garantiiaeg 24 kuud ja algab sellel kuupäeval, mil toode osteti. Selle kuupäeva tõestuseks on vaja arvet või mõnda teist tõendit ostu sooritamise kohta. Toode on mõeldud etarbijatele ainult isiklikeks kasutamiseks. Seega ei kehti garantiid ostu kasutamisel kutsetegevuses või kaubanduslikel eesmärkidel.
2. Teatud osale (vahelduvvoolu/alalisvoolu) aiatööriistadele on võimalik pikendada eespool toodud garantiiaega, kasades toote registreerimist veebilehel www.ryobitools.eu. Teave tööriista võimaliku pikendatud garantiiaja kohta on selgelt esile toodud poodides ja/või pakendil / ning see sisaldub toote dokumentatsioonis. Lõpptarbijaja peab registreerima oma uued tööriistad interneti teel 30 päeva jooksul pärast ostupäeva. Lõppkasutaja võib registreerida pikendatud garantiiaja saamise oma elukohariigis, kui veebis olevas registreerimisvormis on see valik lubatud. Lisaks peavad kasutajad andma oma nõusoleku veebis nõutud sisestatavate andmete säilitamiseks ning nad peavad nõustuma tingimustega. E-posti teel saadetav registreerimise kinnitus ja arve originaal, kus on näha ostu sooritamise kuupäev, on pikendatud garantiiaja tõestuseks.
3. Garantiid katab kõik defektid toote garantiiaja jooksul, kui ostu kuupäeval ilmnevad talitus- või materjalivead. Garantiid piirub toote remondi ja/või väljavahetamisega ning ei sisalda muid kohustusi, muu hulgas ettenägematuid või kaudseid kahjusid. Garantiid ei kehti, kui toodet ei ole kasutatud sihtotstarbelselt või kooskõlas kasutusjuhendiga või see on valesti ühendatud. Garantiid ei kehti järgmistel põhjustel:
 - toode on kahjustatud vale hoolduse tõttu
 - toode on muudetud
 - toote algupärased identifitseerimismärgised (kaubamärk, seerianumber) on rikutud, muudetud või eemaldatud
 - kahju on tekkinud kasutusjuhendi mittejärgimisest
 - tootel puudub CE-märgis
 - toode on püüdnud remondida vastavat kvalifikatsiooni mitte omav isik või ilma firma Techtronic Industries eelneva loata.
 - toode on ühendatud valesse toiteallikasse (voolutugevus, pinge, sagedus)
 - tootega kasutati sobimatut kütusesegu (kütus, õli, õli protsent)
 - välismõjude (keemilised, füüsilised, elektrilöögid) või võõrkehade tekitatud kahju
 - tavapärase kulumine ja katkised varuosad
 - ebaõige kasutamine, tööriista ülekoormamine
 - heakskiitmata tarvikute või osade kasutamine
 - Karburaatorite korralised reguleerimistööd või hooldus- ja puhastustööd
 - Komponentid (osad ja tarvikud), mida iseloomustab kulumine ja vananemine, muu hulgas puutenupud, kiilrihmad, sidur, heklöökurite või muruniidukite löiketerad, rakmed, gaasitorid, süsinikharjad, toitejuhe, freesiterad, vildist seibid, tihvtid, õhuvventilaatorid, puhuri- ja imuritord, kogumiskott ja riimad, juhikud, saeketid, voolikud, liitmikud, pihusti otsakud, rattad, pritsi varred, sisemised poolid, välimised poolid, jõhvid, süteküünlad, õhufiltrid, gaasifiltrid, multšimisterad jne.
4. Hoolduseks peab toote saatma või viima RYOBI tootjate teenindusse, mille aadressi leiata järgnevast teeninduspunkti nimekirjast vastava riigi alt. Mõnedes riikides võtab kohalik RYOBI edasimüüja enda kanda kohustuse saata toode RYOBI teenindusorganisatsiooni. Tootte saatmisel RYOBI teenindusse peab toode olema ohutult pakitud ja ei tohi sisaldada ohtlikke aineid (nt bensiini), kirjas peab olema saatja aadress ja lisatud vea lühikirjeldus.
5. Garantiid alusel tehtavad remonditööd / asendamine on tasuta. See ei pikenda garantiid kehtivusaega ega tähistu uue garantiiaja algust. Väljavahetatud osad või tööriistad kuuluvad meile. Mõnedes riikides maksab kätetoimetamis- ja postikulud saatja. Teile jäävad kehtima tööriista ostust tulenevad seadusjärgsed õigused
6. See garantiid kehtib Euroopa Ühenduse territooriumil, Šveitsis, Islandil, Norras, Liechtensteinis, Türgis ja Venemaal. Väljaspool neid piirkondi võtke ühendust volitatud RYOBI edasimüüjaga, et teha kindlaks kas kehtib mõni teine garantiid.

VOLITATUD HOOLDUSKESKUS

Oma volitatud hoolduskeskuse leiate veebisaidilt <http://uk.ryobitools.eu/header/service-and-support/service-agents>.

HR UVJETI PRIMJENE JAMSTVA TVRTKE RYOBI®

Osim svim zakonskim pravima koja proizlaze iz kupnje, ovaj je proizvod pokriven jamstvom kako je navedeno u nastavku.

1. Jamstveno razdoblje za potrošače traje 24 mjeseca i počinje s datumom na koji je proizvod kupljen. Taj datum mora se dokumentirati računom ili drugim dokazom o kupnji. Proizvod je konstruiran i namijenjen samo za privatnu upotrebu korisnika. Stoga se jamstvo ne daje u slučaju profesionalne ili komercijalne uporabe.
2. Postoji mogućnost da se za dio asortimana vrtnih alata pokretanih izmjeničnom strujom (AC/DC) proizvodi gore navedeno jamstveno razdoblje putem registriranja na mrežnom mjestu www.ryobitools.eu. Uvjeti koje je potrebno zadovoljiti kako bi se produžilo jamstveno razdoblje jasno su istaknuli u prodavaonicama i / ili na pakiranju i / nalaze se unutar dokumentacije proizvoda. Krajnji korisnik mora registrirati svoje novo kupljene alate na mreži u roku od 30 dana od datuma kupnje. Krajnji korisnik može se registrirati za produženo jamstvo u svojoj zemlji boravišta ako se nalazi na popisu u mrežnom obrascu za registraciju gdje je ta opcija važeća. Nadalje, krajnji korisnici moraju dati svoj pristanak na pohranu podataka koji su potrebni za mrežni ulazak i moraju prihvatiti odredbe i uvjete. Potvrda o prijemu registracije, koja se šalje putem e-pošte, kao i originalni račun s vidljivim datumom kupnje poslužuje č kao dokaz produženog jamstva.
3. Jamstvo pokriva sve nedostatke proizvoda tijekom jamstvenog razdoblja koji su nastali zbog neispravnosti prilikom izrade ili materijala s datumom kupnje. Jamstvo je ograničeno na popravak i/ili zamjenu i ne obuhvaća nikakve druge obveze, uključujući, ali ne ograničavajući se na slučajne ili posljedne štete. Jamstvo ne vrijedi ako je proizvod bio zlorabljivan, korišten u suprotnosti s priručnikom s uputama ili ako je pogrešno spojen. Ovo jamstvo ne primjenjuje se na:
 - svako oštećenje proizvoda koje je rezultat nepravilnog održavanja
 - svaki proizvod koji je izmijenjen ili modificiran
 - svaki proizvod gdje su originalne identifikacijske oznake (zaštitni znak, serijski broj) izbrisane, zamijenjene ili uklonjene
 - svako oštećenje uzrokovano neprikladnim korištenjem priručnika
 - svaki proizvod koji nije CE
 - svaki proizvod koji je pokušao popraviti neovlašten profesionalac ili bez prethodnog odobrenja od strane Techtronic Industries
 - svaki proizvod priključen na nepravilno napajanje energijom (amperi, napon, frekvencija)
 - Svaki proizvod korišten s neodgovarajućom mješavinom (gorivo, ulje, postotak ulja)
 - svako oštećenje uzrokovano vanjskim utjecajima (kemijsko, fiziko, udar) ili stranim stvarima
 - normalno trošenje i habanje rezervnih dijelova
 - nepravilno korištenje, preopterećenje alata
 - korištenje neodobrenog dodatnog pribora ili dijelova
 - rasplinjača nakon 6 mjeseci, podcavijanje rasplinjača nakon 6 mjeseci
 - komponente (dijelovi i dodatni pribor) koji su predmet prirodnog trošenja i habanja, uključujući no ne ograničavajući se na gumbe za otpuštanje, pogonske remene, spojku, oštrice trimera za grmlje ili kosilicu, kope, sajle gasa, ugljene četke, kabele za napajanje, nožve, podloške, ztkice za globnu vezu, ventilatore puhalice, cijevi za ispuhavanje i usisavanje, vakuumske vrećice i trake, vodilice, lance pile, crijeva, priključene elemente, mlaznice za raspršivanje, kodače, koplja za raspršivanje, unutarnje kolote, vanjske kaleme, flaksove, svjećice, filtre za zrak, filtre za plin, oštrice za usitnjavanje itd.
4. Za potrebe servisiranja, proizvod se mora poslati ili odnijeti u ovlaštenu servisnu postaju tvrtke RYOBI navedenu na sljedećem popisu s adresama servisnih postaja u svakoj zemlji. U nekim zemljama, vaš lokalni RYOBI zastupnik obvezuje se da će poslati proizvod u servisnu organizaciju tvrtke RYOBI. Kada se proizvod šalje u neku servisnu postaju tvrtke RYOBI, proizvod se mora sigurno pakirati bez jednog od opasnih sadržaja kao što je benzin, na njemu mora pisati adresa pošiljatelja i mora biti popraćen kratkim opisom kvara.
5. Popravak / zamjena pod ovim jamstvom su besplatni. Oni ne predstavljaju produženje ili novi početak jamstvenog razdoblja. Zamijenjeni dijelovi ili alati postaju naše vlasništvo. U nekim državama troškove isporuke ili poštarnu mora platiti pošiljatelj. Vaša zakonska prava koja proizlaze iz kupnje alata ostaju nepromijenjena
6. Ovo jamstvo vrijedi u Europskoj uniji, Švicarskoj, Islandu, Norveškoj, Lichtenštajnu, Turskoj i Rusiji. Izvan tih područja vas molimo da se obratite svojem ovlaštenom zastupniku tvrtke RYOBI kako biste utvrdili primjenjuje li se drugo jamstvo.

OVLAŠTENI SERVISNI CENTAR

Za pronalaznje ovlaštenog servisnog centra pored vas posjetite <http://uk.ryobitools.eu/header/service-and-support/service-agents>.

SL POGOJI ZA VELJAVNOST GARANCIJE RYOBI®

Poleg morebitnih zakonsko določenih pravic, ki izvirajo iz nakupa, za ta izdelek velja spodaj navedena garancija.

- Garancijsko obdobje je za potrošnike 24 mesecev in začne teči z dnem nakupa izdelka. Ta datum mora biti dokumentiran z računom ali drugim dokazilom o nakupu. Izdelek je zasnovan in namenjen izključno za potrošniško zasebno uporabo. V primeru strokovne oziroma komercialne uporabe izdelka garancija ne velja.
- Obstaja možnost podaljšanja garancije na del naše ponudbe vrtnih orodij (AC/DC) prek obdobja garancije, opisanega zgoraj, s pomočjo registracije na spletnem mestu www.ryobitools.eu. Ustreznost orodij za podaljšanje garancijskega obdobja je jasno prikazana v trgovinah in/ali na embalaži oziroma je navedena v dokumentaciji izdelka. Končni uporabnik mora registrirati svoje novo orodje na spletu v 30 dneh po datumu nakupa. Končni uporabnik lahko registrira podaljšano garancijo v svoji državi bivanja, če je na obrazcu spletne registracije navedeno, da ta možnost velja za njegovo državo. Poleg tega morajo končni uporabniki podati svoje soglasje za shranjevanje podatkov, ki so potrebni za spletno državo in morajo sprejeti pogoje in določila uporabe spletnega mesta. Potrdilo o registraciji, ki ga pošljemo preko e-pošte, in originalni račun, ki prikazuje datum nakupa, služita kot dokazilo o podaljšani garanciji.
- Garancija krije vse okvare izdelka, do katerih pride v garancijskem obdobju zaradi napak v izdelavi ali materialu, ki so bile prisotne ob datumu nakupa. Garancija je omejena na popravilo in/ali zamenjavo in ne vključuje nobenih drugih obveznosti, med drugim vključno z naključno ali posledično škodo. Garancija ne velja, če je bil izdelek napačno uporabljen, uporabljen v nasprotju z navodili iz priročnika za uporabo ali če ni bil pravilno povezan. Ta garancija ne velja za:
 - škodo na izdelku, ki je posledica neustreznega vzdrževanja
 - spremenjen ali prilagojen izdelek
 - izdelek, katerega originalna identifikacijska oznaka (blagovna znamka, serijska številka) je bil poškodovan, spremenjena ali odstranjena
 - škodo, ki je posledica neupoštevanja navodil iz priročnika za uporabo
 - izdelek, ki nima oznake CE
 - izdelek, ki ga je poskušal opraviti ne kvalificiran strokovnjak ali ki je bil popravljen brez predhodne odobritve s strani družbe Techtronic Industries.
 - izdelek, ki je bil povezan na neustrezno napajanje (amperska moč, napetost, frekvenca)
 - izdelek, ki je bil uporabljen z neustrezno mešanico goriva (gorivo, olje, odstotek olja)
 - škodo, ki jo povzročijo zunanji vplivi (kemični, fizični, mehanski) ali tuje snovi
 - rezervne dele, ki so podvrženi običajni uporabi
 - neprimerno uporabo, preobremenitev orodja
 - uporabo neodobrenih dodatkov ali delov
 - Vsako redno prilagajanje ali vzdrževalno čiščenje uplinjačev
 - Komponente (sestavni in rezervni deli), ki so podvrženi običajni obrabi, med drugim vključno z gumbi odbijaca, pogonskimi jermeni, sklopko, rezili obrezovalnikov za žive meje ali kosilnic za trato, nosilnimi pasovi, kabli, dušilnimi ventili, oglikovimi krtačami, napajalnimi kabli, zobci, tesnili iz filca, veznimi zatiči, ventilatorji pihalnika, cevni pihalnika in sesalnika, vrečko in pasovi sesalnika, vodilnimi palicami, verigami motorne žage, cevami, priključki, razpršilnimi šobami, kolesi, razpršilnimi palicami, notranjimi kolesci, zunanji motki, rezalnimi vrvicami, vžigalnimi svečkami, zračnimi filtri, plinskimi filtri, rezili za mulčenje itd.
- Za servisiranje morate izdelek poslati ali prinesiti v pooblaščen servisni center družbe RYOBI, ki je naveden za vsako državo in naslednjem seznamu naslovov servisnih centrov. V nekaterih državah se vaš lokalni posrednik družbe RYOBI obveže, da bo poslal izdelek na servis družbe RYOBI. Ko pošiljate izdelek v servisni center družbe RYOBI, mora biti izdelek varno zapakiran in ne sme vsebovati nobenih nevarnih snovi, kot je npr. bencin, opremljen pa mora biti z naslovom pošiljatelja in vsebovati kratek opis napake.
- Popravilo/zamenjava v skladu s to garancijo sta brezplačni storitvi. To pa ne predstavlja podaljšanja ali ponovnega začetka garancijskega obdobja. Zamenjani deli ali orodja postanejo naša last. V nekaterih državah stroške dostave ali poštno plača pošiljatelj. Vaše zakonsko določene pravice, ki izvirajo iz nakupa orodja, ostajajo nespremenjene.
- Ta garancija velja v Evropski skupnosti, Švici, Islandiji, na Norveškem, v Lihtenštajnu, v Turčiji in Rusiji. Izven teh območij se obrnite na svojega pooblaščenega posrednika izdelkov RYOBI, dealer ki vam bo povedal, ali velja kakšna druga garancija.

POOBLAŠČEN SERVISNI CENTER

Pooblaščen servisni center blizu vas poiščite na <http://uk.ryobitools.eu/header/service-and-support/service-agents>.

SK ZÁRUČNÉ PODMIENKY RYOBI®

Na tento výrobok sa okrem všetkých zákonných práv, vyplývajúcich z nákupu, vzťahuje záruka v nasledovnom znení.

- Záručná doba pre spotrebiteľa je 24 mesiacov a začína plynúť odo dňa, kedy bol výrobok zakúpený. Tento dátum musí byť doložený faktúrou alebo iným dokladom o zakúpení. Výrobok je navrhnutý a určený pre spotrebiteľov a len na súkromné používanie. Preto sa záruka sa neposkytuje v prípade použitia na profesionálne a komerčné účely.
- V prípade záhradného náradia (na striedavý/jednosmerný prúdu AC/DC), existuje možnosť predĺženia záručnej doby oproti záručnej dobe, uvedenej vyššie, s využitím on-line registrácie na webovej stránke www.ryobitools.eu. Označenie na náradí o nároku na predĺženie záručnej doby je zreteľne uvedené v obchodoch a/alebo na obale a je uvedené v dokumentácii k výrobku. Koncový používateľ musí zaregistrovať svoje novozískané náradie on-line do 30 dní odo dňa nákupu. Koncový používateľ sa môže zaregistrovať na predĺženie záruky v krajine svojho bydliska, ak je v on-line registračnom formulári uvedená táto možnosť. Ďalej musia koncoví používatelia ešte dať svoj súhlas k uchovávaní údajov, ktoré je potrebné zadať on-line a musia súhlasiť s podmienkami. Potvrdenie o prijatí registrácie, ktorá je zaslaná e-mailom a originál faktúry, v ktorej je uvedený dátum nákupu, slúžia ako dôkaz o predĺženej záruke.
- Záruka sa vzťahuje na všetky poruchy výrobku v záručnej dobe, spôsobené chybami materiálu alebo spracovania k dátumu nákupu. Táto záruka je omezená na opravu a/alebo výmenu a nezahtáva ďalšie povinnosti, vrátane, okrem iných, náhodné alebo následné škody. Táto záruka je neplatná, ak bol výrobok nesprávne používaný, bol používaný v rozpore s návodom na použitie alebo bol nesprávne zapojený. Táto záruka sa nevzťahuje na:
 - akékoľvek poškodenie výrobku, ktoré bolo spôsobené nesprávnou obsluhou
 - akýkoľvek výrobok, ktorý bol zmenený alebo upravený
 - akýkoľvek výrobok, na ktorom bolo poškodené, upravené alebo odstránené identifikačné označenie (ochranná známka, výrobné číslo)
 - akékoľvek škody, spôsobené nedodržaním návodu na obsluhu
 - akýkoľvek výrobok, ktorý neobsahuje označenie CE
 - akýkoľvek výrobok, ktorý sa pokúšal opraviť nekvalifikovaný odborník alebo bol opravovaný bez predchádzajúceho súhlasu zo strany spoločnosti Techtronic Industries.
 - akýkoľvek výrobok, pripojený k nesprávnemu napájaciemu zdroju (ampéry, napätie, frekvencia)
 - akýkoľvek výrobok, používaný s nesprávnou palivovou zmesou (palivo, olej, percento oleja)
 - akékoľvek poškodenia, spôsobené vonkajšími vplyvmi (chemickými, fyzikálnymi, nárazmi) alebo cudzorodými látkami
 - bežné opotrebovanie náhradných dielov
 - nehodné použitie, preťažovanie nástroja
 - používanie neschváleného príslušenstva a dielov
 - Akékoľvek pravidelné úpravy alebo čistenie karburátorov, vykonávaných vrámi údržby
 - Súčiastky (diely a príslušenstvo), ktoré podliehajú prirodzenému opotrebeniu, okrem iných, otočné gombíky, hnače remene, spojka, nože na nožnice na živý plot alebo kosačky na trávu, popruhy, lanko škrtiacej klapky, uhľiky, napájací kábel, radičky, pistené podložky, závesné klince, lopatky fúkačov, trubice vysávača a fúkača, vak do vysávača a popruhy, vodiace lišty, reťazové pily, hadice, spojovacie armatúry, trysky, kolesá, striekacie rúrky, vnútorné cievky, vonkajšie cievky, žacie lanká, zapalovacie sviečky, vzduchové filtre, benzínové filtre, mulčovacie nože atď.
- Na opravu musí byť výrobok odoslaný alebo doručený do autorizovaného servisného strediska RYOBI, uvedeného pre každú krajinu v nasledovnom zozname adries servisných stredísk. V niektorých krajinách miestny zástupca RYOBI preberá na seba záväzok zaslať tovar do servisnej organizácii RYOBI. Pri odosielaní výrobku do servisného strediska RYOBI je potrebné výrobok bezpečne zabaliť bez akéhokoľvek nebezpečného obsahu, ako je benzín, s vyznačením adresy odosielaťa, s krátkym popisom poruchy.
- Oprava/výmena je vrámi tejto záruky bezplatná. Neznamená to predĺženie záruky alebo spustenie novej záručnej doby. Vymenené diely alebo nástroje sa stávajú našim vlastníctvom. V niektorých krajinách náklady na odoslanie alebo poštné musí zaplatiť odosielať. Vaše zákonné práva, vyplývajúce z nákupu náradia, zostávajú nedotknuté
- Táto záruka platí v Európskej únii, Švajčiarsku, Islande, Nórsku, Lihtenštajnsku, Turesku a Rusku. Ak sa nachádzate mimo týchto oblastí, obráťte sa na autorizovaného predajcu RYOBI na určenie, či sa dá uplatniť iná záruka.

AUTORIZOVANÉ SERVISNÉ CENTRUM

Ak chcete nájsť najbližšie autorizované servisné centrum, navštívte stránku <http://uk.ryobitools.eu/header/service-and-support/service-agents>.

BG УСЛОВИЯ ЗА ВАЛИДНОСТ НА ГАРАНЦИЯТА НА RYOBI®

В допълнение към законоустановените права, произтичащи от покупката, този продукт е обхванат от гаранция, както е изложено по-долу.

- Гаранционният срок е 24 месеца за клиенти и започва да тече от деня на закупуване на продукта. Тази дата трябва да се докаже с фактура или друго доказателство за покупка. Продуктът е изработен и предназначен само за потребителска и лична употреба. Следователно не се дава гаранция в случай на използване от професионалисти или с търговска цел.
- Съществува възможност за удължаване на гаранционния срок за част от диалогана на гаранцията на градински инструменти (AC/DC) след изтичането на описания тук чрез регистрация на уеб сайта www.ryobitools.eu. В магазините и/или на опаковката или вътре в документацията на продукта е показано ясно дали инструментът отговаря на условията за такова удължаване на гаранционния срок. Крайният потребител трябва да регистрира своите новопридобити инструменти онлайн в рамките на 30 дни от датата на покупка. Крайният потребител може да се регистрира за удължена гаранция в държавата си на пребиваване, ако е посочена във формуляра за онлайн регистрация като място, където тази опция е валидна. Освен това крайните потребители трябва да дадат съгласието си за съхранение на данните, които са задължителни за попълване онлайн, и трябва да приемат общите условия. Полученото потвърждение за регистрация, изпратено по електронна поща, и оригиналната фактура, показваща датата на покупка, ще служат като доказателство за удължената гаранция.
- Гаранцията покрива всички дефекти на продукта по време на гаранционния срок, които се дължат на проблеми в изработката или материалите към момента на покупката. Гаранцията е ограничена до ремонт и/или замяна и не включва други задължения, включително, но не само, случайни или косвени щети. Гаранцията е невалидна, ако продуктът е използван неправилно или в противоречие с ръководството с инструкции, както и ако е свързан неправилно. Тази гаранция не важи за:
 - щети по продукта в резултат на неправилна профилактика
 - продукти, които са били изменени или модифицирани
 - продукт, при който оригиналните маркировки за идентификация (търговска марка, сериен номер) са изтрпани, променени или премахнати
 - повреда, причинена от неспазване на ръководството с инструкции
 - продукт без CE маркировка
 - продукт, за който е направен опит за ремонт от невалифициран специалист или без предварително разрешение от Techtronic Industries.
 - продукт, свързан към неподходящо електрохранване (ампераж, волтаж, честота)
 - продукт, използван с неподходяща горивна смес (гориво, масло, процент масло)
 - щети, причинени от външни влияния (химични, физични, удари) или чужди вещества
 - нормално износване на резервни части
 - неподходяща употреба, претоварване на инструмента
 - използване на неодобриени аксесорни или части
 - Всякакви периодични настройки или почистване с цел извършване на поддръжка на карбуратори
 - Компоненти (части и аксесорни), подложени на естествено износване, включително, но не само, копчета за тласкане, задвижващи ремъци, съединители, остриета на ножици за жив плет или косачки за трева, пресрамаки, кабелен дросел, карбонови четки, ذخаранващ кабел, остриета, филцови шабви, осигурителни шифтове, вентилатори на уреди за обдухване, тръби за обдухване и всмукване, торба за отпадъци и ремъци, водещи шини, вериги за триони, маркучи, фитинги на конектори, дюзи, копела, пръскалки, вътрешни и външни макари, режещо влакно, запалителни свещи, въздушни филтри, горивни филтри, остриета за мулчиране и др.
- За обслужване продуктът трябва да се изпрати или занесе на оторизиран сервиз на RYOBI, посочен за всяка държава в следния списък с адреси на сервиси. В някои държави местният търговец на RYOBI поема отговорността да изпрати продукта до сервизен център на RYOBI. При изпращане на продукт до сервиз на RYOBI той трябва да е опакован безопасно без опасност съдържане, напр. бензин, да е маркиран с адреса на подателя и придружен от кратко описание на повредата.
- Ремонтът/замяната по силата на тази гаранция са безплатни. Те не водят до удължаване или подновяване на гаранционния срок. Сменените части или инструменти стават наша собственост. В някои държави таксите за доставка или изпращане трябва да се платят от подателя. Законоустановените ви права, произтичащи от закупуването на инструмента, остават незасегнати
- Тази гаранция е валидна в Европейската общност, Швейцария, Исландия, Норвегия, Лихтенщайн, Турция и Русия. Извън тези области се свържете с упълномощения търговец на RYOBI, за да се установи дали е приложима друга гаранция.

УПЪЛНОМОЩЕН СЕРВИСЕН ЦЕНТЪР

За да намерите упълномощен сервизен център близо до вас, посетете <http://uk.ryobitools.eu/header/service-and-support/service-agents>.

UK ГАРАНТИЙНИ УМОВИ ДЛЯ RYOBI®

Окрім загалом установлених законом прав, що стосуються покупки, цей пристрій покривається гарантією, що зазначено нижче.

- Гарантійний період для споживачів складає 24 місяці і починається з моменту придбання цього пристрою. Ця дата повинна бути задокументована у гарантійному талоні або чеку, що підтверджує покупку. Цей пристрій був розроблений і призначений тільки для споживчого та приватного використання. У разі професійного або комерційного використання цього пристрою, він втрачає гарантію.
- Існує можливість продовжити гарантійний період, понад період описаний вище, для частини лінійки садових інструментів (перемінного/ постійного струму) за допомогою реєстрації на сайті www.ryobitools.eu. Пристрої, які мають право на подовження гарантійного періоду, мають чіткі позначки щодо цього в магазинах і / або на упаковці / та документаші до пристрою. Кінцевий користувач повинен зареєструвати його/її новопридбаний пристрій онлайн протягом 30 днів з дати покупки. Кінцевий користувач може зареєструватися для подовження гарантійного періоду в своїй країні постійного перебування, якщо вона є доступною у відповідній опції онлайн форми реєстрації. Крім того, кінцеві користувачі повинні дати свою згоду на зберігання даних, які необхідні для введення онлайн, а також вони повинні прийняти правила та умови. Отримання підтвердження реєстрації, яке відправляється на адресу електронної пошти, та оригінал гарантійного талона із зазначеною датою покупки буде слугувати доказом подовженої гарантії.
- Гарантія поширюється на всі дефекти пристрою протягом гарантійного терміну щодо недотримання стандартів виробництва або матеріалів на дату придбання. Гарантія обмежується ремонтом та/або заміною, та не включає в себе будь-яких інших зобов'язань, в тому числі, але необмежена у разі випадкових та подальших пошкоджень. Гарантія не діє, якщо пристрій використовувався нена належним чином, всупереч інструкції з експлуатації або був неправильно підключений до мережі. Дана гарантія не поширюється на:
 - пристрої, що були пошкоджені у результаті неправильного технічного обслуговування;
 - пристрої, що були видозмінені або модифіковані;
 - пристрої, оригінальні ідентифікаційне (товарний знак, серійний номер) маркування яких було пошкоджене, змінене або видалено;
 - будь-які пошкодження, заподіяні недотриманням інструкції з експлуатації;
 - пристрої, що не мають маркування CE;
 - пристрої, що були відремонтовані невалідованим фахівцем або за відсутності попереднього дозволу від Techtronic Industries;
 - пристрої, підключені до невідповідного джерела живлення (сила току, напруження, частота);
 - пристрої, що використовувались із невідповідною паливною сумішшю (паливом, оливою, відсотковою часткою оливи);
 - будь-які пошкодження спричинені зовнішнім впливом (хімічними, фізичним, стрибком напруги) або сторонніми речовинами;
 - нормальну амортизацію запасних частин;
 - невідповідне використання, перевантаження пристрою;
 - використання невідтверджених запасних частин або аксесуарів;
 - Будь-які періодичні коригування або технічне очищення карбураторів
 - Компоненти (частини та аксесуари) з урахуванням нормального зношування, враховуючи але без обмеження на імпульсні кнопки, ремені приводу, зчеплення, леза куцоріза або газонокосарки, ремені, троси дротельного клапану, вугільні щітки, шнурки живлення, зубці, фетрові підкладки, зчіпні штирі, вентилятори повітродувки, трубки пилососа та повітродувки, вакуумні мішки та накладки, напрямні, панцюги, гнучкі шланги, з'єднувальні фітинги, розпилювальні насадки, колеса, жорсткі сопла, внутрішні котушки, зовнішні золотники, ріжучу волосінку, свічки запалення, повітряні фільтри, протигазові фільтри, мультувальні леза, т.д.
- Для обслуговування, пристрій має бути відправлений або поданий до одного з авторизованих сервісних центрів RYOBI, які перелічені для кожної країни у наступному переліку адрес сервісних центрів. У деяких країнах місцевий дилер RYOBI зобов'язується відправити пристрій до сервісного центру RYOBI. При відправленні пристрою до сервісного центру RYOBI, пристрій має бути надійно упакуваний для будь-якого безбезпечного вмісту, наприклад бензину, з позначеною адресою відправника та супроводжується коротким описом несправності.
- Ремонт / заміна відповідно до цієї гарантії здійснюється безкоштовно. Це не є основою для подовження або початку нового гарантійного періоду. Замінені частини або прилади переходять до власності компанії. У деяких країнах вартість доставки або поштові витрати повинні бути сплачені відправником. Загально встановлені права покупки на пристрій залишаються незмінними
- Ця гарантія діє в Європейському Союзі, Швейцарії, Ісландії, Норвегії, Лихтенштейні, Туреччині та Росії. За межами цих зон, будь ласка, зверніться до офіційного дилера RYOBI, щоб визначити, чи застосовується інша гарантія.

АВТОРИЗОВАНІ СЕРВІСНІ ЦЕНТРИ

Для отримання оновленого переліку авторизованих сервісних центрів, відвідайте <http://uk.ryobitools.eu/header/service-and-support/service-agents>.

TR RYOBI® GARANTİ UYGULAMA KOŞULLARI

Alımdan kaynaklanan yasal haklara ek olarak, ürün aşağıda belirtilen garanti kapsamındadır.

1. Tüketiciler için 24 ay olan garanti süresi, ürünün satın alındığı tarihte başlar. Bu tarihin bir fatura ya da alım kantıtyla belgelenmesi gerekir. Ürün sadece tüketim ve özel kullanım için geliştirilmiş ve adanmıştır. Bu nedenle, profesyonel ya da ticari kullanım halinde garanti kapsamı sağlanmaz.
2. Bahçe aletlerinin bir bölümü (AC/DC) için www.ryobitools.eu sayfasındaki kayıt işlemini kullanarak garantinin belirtilen sürenin ötesine uzatma imkanı mevcuttur. Aletlerin garanti süresinin uzatılmasına uygun olup olmadığı mağazalarda ve / veya ambalajda açıkça belirtilmiş olup, ürün dokümantasyonunda gösterilir. Son kullanıcının yeni aldığı aletleri satın alma tarihini izleyen 30 gün içinde kaydettirmesi gerekir. Son kullanıcı ikamet ettiği ülkede, bu seçeneğin geçerli olduğu çevrimiçi kayıt formunda belirtilmişse, uzatılmış garanti süresi için kayıt yaptırabilir. Dahası, son kullanıcıların çevrimiçi giriş için gerekli verilerin kaydedilmesine izin vermemi ve hüküm ve koşulları kabul etmelidir. E-posta ile gönderilen kayıt teyit makbuzu ve alım tarihini gösteren orijinal fatura uzatılmış garantinin kanıtı olarak değerlendirilir.
3. Garanti, ürünün alım tarihindeki işçilik ve malzeme kusurları nedeniyle garanti süresi içinde oluşacak bütün arızalarını kapsar. Bu garanti onarım ve değiştirmeyle sınırlı olup, tesadüfi ya da dolaylı hasarlar da dahil, ancak bunlarla kısıtlı olmayan başka hiçbir taahhüdü kapsamaz. Garanti, ürünün kötü, kullanıcı kılavuzuna aykırı kullanılmış ya da yanlış bağlanmış olması halinde geçerli değildir. Bu garanti aşağıdakileri kapsamaz:
 - ürende, yanlış bakımdan kaynaklanan herhangi bir hasar
 - değiştirilmiş ya da modifiye edilmiş herhangi bir ürün
 - orijinal tanıtmış işaretleri (ticari marka, seri numarası) silinmiş, değiştirilmiş ya da kaldırılmış herhangi bir ürün
 - kullanma kılavuzuna uymamaktan kaynaklanmış herhangi bir hasar
 - herhangi bir AT dışı ürün
 - kalifiye olmamış personel tarafından ya da önceden Techtronic Industries onayı alınmadan onarılmış herhangi bir ürün.
 - uygunsuz güç kaynağına (amper, voltaj, frekans) bağlanmış herhangi bir ürün
 - uygunsuz bir yakıt karışımıyla (yakıt, yağ, yap yüzdesi) kullanılmış herhangi bir ürün
 - harici etkenlerden (kimyasal, fiziksel, darbe) veya yabancı cisimlerden kaynaklanan her türlü hasar
 - normal aşınır ve yıpranır aksam
 - uygunsuz kullanım, aletin aşırı yüklenmesi
 - onaysız aksesuar veya parça kullanımı
 - Karbüratörlere uygulanacak her türlü periyodik ayar, bakım veya temizlik
 - Darbe Düğmeleri, Tahrik Kayışları, Kavrama, Çit Budama ya da Çim Bıçma Makinelerinin Bıçakları, Kayış Koşumlar, Kablo Gaz, Kömür Fırçalar, Güç Kablo, Dişler, Keçe Rondelalar, Bağlantı Pimleri, Üfleyci Pervaneleri, Üfleyci ve Vakum Boruları, Vakum Torbası ve Kayışları, Kılavuz Çubuklar, Zincir Testere, Hortumlar, Konektör bağlantıları, Püskürtme Memeleri, Çarklar, Püskürtme Çubukları, Dahili Makaralar, Harici Makaralar, Kesme Telleri, Bujiler, Hava Filtreleri, Gaz Filtreleri, Malçlama Bıçakları vb. gibi parçaları kapsayan, ancak bunlarla sınırlı olmayan, aşınma ve yıpranmaya tabi bileşenler (aksam ve aksesuarlar).
4. Ürünün servis için her ülkede aşağıdaki servis istasyonları adres listesinde yer alan yetkili bir RYOBI servis istasyonuna gönderilmesi ya götürülmesi gereklidir. Bazı ülkelerde, yerel RYOBI distribütörünüz ürünü RYOBI servis teşkilatına göndermeyi üstlenir. Bir ürün bir RYOBI servis istasyonuna gönderilirken, ürünün güvenli bir biçimde ambalajlanması, benzin gibi tehlikeli maddeler içermemesi, gönderenin adresini taşıması ve anızanın kısa bir açıklamasını içermesi gerekir.
5. Bu garanti kapsamında yapılacak onarım / değişiklik ücretsizdir. Garanti süresinin uzatılması ya da yeniden başlatılması anlamına gelmez. Değiştirilmiş parçalar veya aletler bize ait olur. Bazı ülkelerde teslim ücretleri veya posta giderlerinin gönderici tarafından ödenmesi gerekir. Alımdan kaynaklanan yasal haklarınız etkilenmez
6. Bu Garanti Avrupa Topluluğu, İsviçre, İzlanda, Norveç, Liechtenstein, Türkiye ve Rusya'da geçerlidir. Bu alanların dışında, başka bir garantinin geçerli olup olmadığını belirlemek için lütfen yetkili RYOBI distribütörünüzle irtibata geçin.

YETKİLİ SERVİS MERKEZİ

En yakın yetkili servis merkezini öğrenmek için <http://uk.ryobitools.eu/header/service-and-support/service-agents> sitesine girin.

EN DECLARATION OF CONFORMITY

Techtronic Industries GmbH
Max-Eyth-Straße 10, 71364 Winnenden, Germany

Herewith we declare that the product

Cordless lawn mower
Brand: RYOBI
Model number: RLM18X33B40/RLM18C33B25/OLM1833B
Serial number range:
RLM18X33B40: 46291001000001 - 46291001999999
RLM18C33B25: 46291001000001 - 46291001999999
OLM1833B: 46291001000001 - 46291001999999

is in conformity with the following European Directives and harmonised standards
2006/42/EC, 2014/30/EU, 2000/14/EC, 2005/88/EC, 2011/65/EU,
EN 60335-1:2012 +A11:2014+A13:2017, EN 60335-2-77:2010,
EN 55014-1:2017, EN 55014-2:2015, EN 50581:2012

Measured sound power level: 93.6 dB(A)
Guaranteed sound power level: 96 dB(A)

Conformity assessment method to Annex VI Directive 2000/14/EC amended by 2005/88/EC.
The notified body involved:
Société Nationale de Certification et d'Homologation (Notified Body 0499)
2a. Kalchesbruck L-1852 Luxembourg

Todd Chipner
Sr. Director, Regulatory & Safety
Winnenden, Jan. 25, 2019



Authorised to compile the technical file:
Alexander Krug, Managing Director
Techtronic Industries GmbH
Max-Eyth-Straße 10, 71364 Winnenden, Germany

DE KONFORMITÄTSERKLÄRUNG

Techtronic Industries GmbH
Max-Eyth-Straße 10, 71364 Winnenden, Germany

Hiermit erklären wir, dass die Produkte

Akku-Rasenmäher
Marke: RYOBI
Modellnummer: RLM18X33B40/RLM18C33B25/OLM1833B
Seriennummernbereich:
RLM18X33B40: 46291001000001 - 46291001999999
RLM18C33B25: 46291001000001 - 46291001999999
OLM1833B: 46291001000001 - 46291001999999

mit den folgenden europäischen Richtlinien und harmonisierten Normen übereinstimmt
2006/42/EC, 2014/30/EU, 2000/14/EC, 2005/88/EC, 2011/65/EU,
EN 60335-1:2012 +A11:2014+A13:2017, EN 60335-2-77:2010,
EN 55014-1:2017, EN 55014-2:2015, EN 50581:2012

Gemessener Schalleistungspegel: 93,6 dB(A)
Garantierter Schalleistungspegel: 96 dB(A)

Konformitätsbeurteilungsmethode zu Anhang VI Richtlinie 2000/14/EC wie durch 2005/88/EC.
Benannte Stelle:
Société Nationale de Certification et d'Homologation (Notified Body 0499)
2a. Kalchesbruck L-1852 Luxembourg

Todd Chipner
Sr. Director, Vorschriften und Sicherheit
Winnenden, Jan. 25, 2019



Autorisiert die technische Datei zu erstellen:
Alexander Krug, Geschäftsführer
Techtronic Industries GmbH
Max-Eyth-Straße 10, 71364 Winnenden, Germany

FR DÉCLARATION DE CONFORMITÉ

Techtronic Industries GmbH
Max-Eyth-Straße 10, 71364 Winnenden, Germany

Déclarons par la présente que le produit

Tondeuse à Gazon Sans-fil
Marque: RYOBI
Numéro de modèle: RLM18X33B40/RLM18C33B25/OLM1833B
Étendue des numéros de série:
RLM18X33B40: 46291001000001 - 46291001999999
RLM18C33B25: 46291001000001 - 46291001999999
OLM1833B: 46291001000001 - 46291001999999

est conforme aux Directives Européennes et Normes Harmonisées suivantes
2006/42/EC, 2014/30/EU, 2000/14/EC, 2005/88/EC, 2011/65/EU,
EN 60335-1:2012 +A11:2014+A13:2017, EN 60335-2-77:2010,
EN 55014-1:2017, EN 55014-2:2015, EN 50581:2012

Niveau de puissance sonore mesuré: 93.6 dB(A)
Niveau de puissance sonore garanti: 96 dB(A)

Méthode d'évaluation de conformité de l'annexe VI Directive 2000/14/EC modifiée 2005/88/EC.
Organisme notifié impliqué:
Société Nationale de Certification et d'Homologation (Notified Body 0499)
2a. Kalchesbruck L-1852 Luxembourg

Todd Chipner
Directeur principal, Réglementation & Sécurité
Winnenden, Jan. 25, 2019



Autorisé à rédiger le dossier technique:
Alexander Krug, Directeur Général
Techtronic Industries GmbH
Max-Eyth-Straße 10, 71364 Winnenden, Germany

ES DECLARACIÓN DE CONFORMIDAD

Techtronic Industries GmbH
Max-Eyth-Straße 10, 71364 Winnenden, Germany

Por la presente declaramos que los productos

Cortacésped Inalámbrico
Marca: RYOBI
Número de modelo: RLM18X33B40/RLM18C33B25/OLM1833B
Intervalo del número de serie:
RLM18X33B40: 46291001000001 - 46291001999999
RLM18C33B25: 46291001000001 - 46291001999999
OLM1833B: 46291001000001 - 46291001999999

se encuentra en conformidad con las siguientes Directivas Europeas y normas armonizadas
2006/42/EC, 2014/30/EU, 2000/14/EC, 2005/88/EC, 2011/65/EU,
EN 60335-1:2012 +A11:2014+A13:2017, EN 60335-2-77:2010,
EN 55014-1:2017, EN 55014-2:2015, EN 50581:2012

Nivel de potencia acústica medido: 93.6 dB(A)
Nivel de potencia acústica garantizado: 96 dB(A)

Método de evaluación de conformidad con el anexo VI Directiva 2000/14/EC modificada por la 2005/88/EC.
El organismo notificado implicado:
Société Nationale de Certification et d'Homologation (Notified Body 0499)
2a. Kalchesbruck L-1852 Luxembourg

Todd Chipner
Director principal, Director General de Normativa y Seguridad
Winnenden, Jan. 25, 2019



Autorizado para elaborar la ficha técnica:
Alexander Krug, Administrador Ejecutivo
Techtronic Industries GmbH
Max-Eyth-Straße 10, 71364 Winnenden, Germany

IT DICHIARAZIONE DI CONFORMITÀ

Techtronic Industries GmbH
Max-Eyth-Straße 10, 71364 Winnenden, Germany

Si dichiara con la presente che il prodotto

Tosaerba Senza Cavo
Marca: RYOBI
Numero modello: RLM18X33B40/RLM18C33B25/OLM1833B
Gamma numero seriale:
RLM18X33B40: 46291001000001 - 46291001999999
RLM18C33B25: 46291001000001 - 46291001999999
OLM1833B: 46291001000001 - 46291001999999

è conforme alle seguenti Direttive Europee e ai seguenti standard armonizzati

2006/42/EC, 2014/30/EU, 2000/14/EC, 2005/88/EC, 2011/65/EU,
EN 60335-1:2012 +A11:2014+A13:2017, EN 60335-2-77:2010,
EN 55014-1:2017, EN 55014-2:2015, EN 50581:2012

Livello di potenza acustica misurato: 93,6 dB(A)
Livello di potenza sonora garantita: 96 dB(A)

Metodo di valutazione sulla conformità all'allegato VI Direttiva 2000/14/EC modificata con la 2005/88/EC:

Ente notificato responsabile:
Société Nationale de Certification et d'Homologation (Notified Body 0499)
Za. Kalchesbruck L-1852 Luxembourg

Todd Chipner
Sig. Direttore, Dipartimento Regolazioni & Sicurezza
Winnenden, Jan. 25, 2019

Autorizzato per compilare il file tecnico:
Alexander Krug, Direttore Amministrativo
Techtronic Industries GmbH
Max-Eyth-Straße 10, 71364 Winnenden, Germany



PT DECLARAÇÃO DE CONFORMIDADE

Techtronic Industries GmbH
Max-Eyth-Straße 10, 71364 Winnenden, Germany

Pelo presente declaramos que os produtos

Máquina de Cortar Relva Sem Fios
Marca: RYOBI
Número do modelo: RLM18X33B40/RLM18C33B25/OLM1833B
Intervalo do número de série:
RLM18X33B40: 46291001000001 - 46291001999999
RLM18C33B25: 46291001000001 - 46291001999999
OLM1833B: 46291001000001 - 46291001999999

se encontra em conformidade com as seguintes Directivas Europeias e normas harmonizadas

2006/42/EC, 2014/30/EU, 2000/14/EC, 2005/88/EC, 2011/65/EU,
EN 60335-1:2012 +A11:2014+A13:2017, EN 60335-2-77:2010,
EN 55014-1:2017, EN 55014-2:2015, EN 50581:2012

Nível de potência sonora medido: 93,6 dB(A)
Nível de potência sonora garantida: 96 dB(A)

Método de avaliação de conformidade para o anexo VI Directiva 2000/14/EC alterada por 2005/88/EC:

O organismo notificado envolvido:
Société Nationale de Certification et d'Homologation (Notified Body 0499)
Za. Kalchesbruck L-1852 Luxembourg

Todd Chipner
Sr. Diretor, Regulamentação & Segurança
Winnenden, Jan. 25, 2019

Autorizado para compilar o ficheiro técnico:
Alexander Krug, Administrador Executivo
Techtronic Industries GmbH
Max-Eyth-Straße 10, 71364 Winnenden, Germany



NL CONFORMITEITSVERKLARING

Techtronic Industries GmbH
Max-Eyth-Straße 10, 71364 Winnenden, Germany

Hierbij verklaren wij dat het product

Snoerloze Grasmaaimachine
Merk: RYOBI
Modelnummer: RLM18X33B40/RLM18C33B25/OLM1833B
Serienummerbereik:
RLM18X33B40: 46291001000001 - 46291001999999
RLM18C33B25: 46291001000001 - 46291001999999
OLM1833B: 46291001000001 - 46291001999999

is in overeenstemming met de volgende Europese Richtlijnen en geharmoniseerde normen

2006/42/EC, 2014/30/EU, 2000/14/EC, 2005/88/EC, 2011/65/EU,
EN 60335-1:2012 +A11:2014+A13:2017, EN 60335-2-77:2010,
EN 55014-1:2017, EN 55014-2:2015, EN 50581:2012

Gemeten geluidsniveau: 93,6 dB(A)
Gegarandeerd geluidsniveau: 96 dB(A)

Evaluatiemethode conformiteit volgens bijlage VI Richtlijn 2000/14/EC gewijzigd door 2005/88/EC:

Betrokken aangemelde keuringsinstantie:
Société Nationale de Certification et d'Homologation (Notified Body 0499)
Za. Kalchesbruck L-1852 Luxembourg

Todd Chipner
Dhr. Directeur, Regelgeving en veiligheid
Winnenden, Jan. 25, 2019

Afgevaardigde voor het samenstellen van de technische fiche:
Alexander Krug, Directeur
Techtronic Industries GmbH
Max-Eyth-Straße 10, 71364 Winnenden, Germany



DA OVERENSSTEMMELSESERKLÆRING

Techtronic Industries GmbH
Max-Eyth-Straße 10, 71364 Winnenden, Germany

Vi erklærer hermed, at produktet

Akkuplæneklipper
Brand: RYOBI
Modelnummer: RLM18X33B40/RLM18C33B25/OLM1833B
Serienummerområde:
RLM18X33B40: 46291001000001 - 46291001999999
RLM18C33B25: 46291001000001 - 46291001999999
OLM1833B: 46291001000001 - 46291001999999

er i overensstemmelse med følgende EU-direktiver og harmoniserede standarder

2006/42/EC, 2014/30/EU, 2000/14/EC, 2005/88/EC, 2011/65/EU,
EN 60335-1:2012 +A11:2014+A13:2017, EN 60335-2-77:2010,
EN 55014-1:2017, EN 55014-2:2015, EN 50581:2012

Målt støjniveau: 93,6 dB(A)
Garanteret støjniveau: 96 dB(A)

Overensstemmelsesvurderingsmetode til bilag VI Direktiv 2000/14/EC ændret ved 2005/88/EC:

Den relevante godkendelsesinstans:
Société Nationale de Certification et d'Homologation (Notified Body 0499)
Za. Kalchesbruck L-1852 Luxembourg

Todd Chipner
Hr. Direktør, regler og sikkerhed
Winnenden, Jan. 25, 2019

Bemyndiget til at udarbejde det tekniske kartotek:
Alexander Krug, Administrerende Direktør
Techtronic Industries GmbH
Max-Eyth-Straße 10, 71364 Winnenden, Germany



SV KONFORMITETSDEKLARATION

Techtronic Industries GmbH
Max-Eyth-Straße 10, 71364 Winnenden, Germany

Härmed deklarerar vi att produkterna

Sladdlös Gräsklippare
Märke: RYOBI
Modellnummer: RLM18X33B40/RLM18C33B25/OLM1833B
Serienummerintervall:
RLM18X33B40: 46291001000001 - 46291001999999
RLM18C33B25: 46291001000001 - 46291001999999
OLM1833B: 46291001000001 - 46291001999999

är i enlighet med följande EU-direktiv och harmoniserade standarder
2006/42/EC, 2014/30/EU, 2000/14/EC, 2005/88/EC, 2011/65/EU,
EN 60335-1:2012 +A11:2014+A13:2017, EN 60335-2-77:2010,
EN 55014-1:2017, EN 55014-2:2015, EN 50581:2012

Uppmätt ljudeffektnivå: 93,6 dB(A)
Garanterat ljudeffektnivå: 96 dB(A)

Konformitetsbedömning gjord enligt metod i VI Direktiv 2000/14/EC samt tillägg
i 2005/88/EC.

Meddelandet gällde:

Société Nationale de Certification et d'Homologation (Notified Body 0499)
2a. Kalchesbruck L-1852 Luxembourg

Todd Chipner
Överordnad direktör, regelverk och säkerhet
Winnenden, Jan. 25, 2019



Godkänd att sammanställa den tekniska filen:
Alexander Krug, VD
Techtronic Industries GmbH
Max-Eyth-Straße 10, 71364 Winnenden, Germany

NO SAMSVARSERKLÆRING

Techtronic Industries GmbH
Max-Eyth-Straße 10, 71364 Winnenden, Germany

Herved erklærer vi at produktet

Batteridrevet Gressklipper
Märke: RYOBI
Modellnummer: RLM18X33B40/RLM18C33B25/OLM1833B
Serienummerserie:
RLM18X33B40: 46291001000001 - 46291001999999
RLM18C33B25: 46291001000001 - 46291001999999
OLM1833B: 46291001000001 - 46291001999999

er i samsvar med følgende europeiske direktiver og harmoniserte standarder
2006/42/EC, 2014/30/EU, 2000/14/EC, 2005/88/EC, 2011/65/EU,
EN 60335-1:2012 +A11:2014+A13:2017, EN 60335-2-77:2010,
EN 55014-1:2017, EN 55014-2:2015, EN 50581:2012

Målt lydeffektnivå: 93,6 dB(A)
Garantert lydeffektnivå: 96 dB(A)

Metode for vurdering av konformitet til Tillegg VI Direktiv 2000/14/EC endret ved
2005/88/EC.

Involvert meddelelsesorgan:

Société Nationale de Certification et d'Homologation (Notified Body 0499)
2a. Kalchesbruck L-1852 Luxembourg

Todd Chipner
Sr. direktør, forskrifter og sikkerhet
Winnenden, Jan. 25, 2019



Autorisert til å sette sammen den tekniske filen:
Alexander Krug, Administrerende Direktør
Techtronic Industries GmbH
Max-Eyth-Straße 10, 71364 Winnenden, Germany

FI SÄÄNNÖSTEN NOUDATTAMINEN

Techtronic Industries GmbH
Max-Eyth-Straße 10, 71364 Winnenden, Germany

Ilmoitamme täten, että tuotteet

Langaton Ruohonleikkuri
Tuotemerkki: RYOBI
Mallinumero: RLM18X33B40/RLM18C33B25/OLM1833B
Sarjanumeroalue:
RLM18X33B40: 46291001000001 - 46291001999999
RLM18C33B25: 46291001000001 - 46291001999999
OLM1833B: 46291001000001 - 46291001999999

noudattaa seuraavia EU-direktiivejä ja harmonoituja standardeja
2006/42/EC, 2014/30/EU, 2000/14/EC, 2005/88/EC, 2011/65/EU,
EN 60335-1:2012 +A11:2014+A13:2017, EN 60335-2-77:2010,
EN 55014-1:2017, EN 55014-2:2015, EN 50581:2012

Mitattu ääniteho: 93,6 dB(A)
Taattu ääniteho: 96 dB(A)

Säännösten noudattaminen tarkastettu direktiivin 2000/14/EC liitteen VI mukaisesti
muunnettu direktiivillä 2005/88/EC.

Ilmoituselin:

Société Nationale de Certification et d'Homologation (Notified Body 0499)
2a. Kalchesbruck L-1852 Luxembourg

Todd Chipner
Sr. Director, säästöstenmukaisuus ja turvallisuus
Winnenden, Jan. 25, 2019



Valtuutettu kokoamaan tekninen tiedosto:
Alexander Krug, Toimitusjohtaja
Techtronic Industries GmbH
Max-Eyth-Straße 10, 71364 Winnenden, Germany

RU ЗАЯВЛЕНИЕ О СООТВЕТСТВИИ ТРЕБОВАНИЯМ

Techtronic Industries GmbH
Max-Eyth-Straße 10, 71364 Winnenden, Germany

Настоящим мы заявляем, что данный продукт

Беспроводная Газонокосилка
Марка: RYOBI
Номер модели: RLM18X33B40/RLM18C33B25/OLM1833B
Диапазон заводских номеров:
RLM18X33B40: 46291001000001 - 46291001999999
RLM18C33B25: 46291001000001 - 46291001999999
OLM1833B: 46291001000001 - 46291001999999

соответствует требованиям следующих Директив ЕС и согласованных
стандартов

2006/42/EC, 2014/30/EU, 2000/14/EC, 2005/88/EC, 2011/65/EU,
EN 60335-1:2012 +A11:2014+A13:2017, EN 60335-2-77:2010,
EN 55014-1:2017, EN 55014-2:2015, EN 50581:2012

Измеренный уровень звуковой мощности: 93,6 dB(A)
Гарантируемый уровень звуковой мощности: 96 dB(A)

Способ оценки соответствия, приложение VI к директиве 2000/14/EC с
изменениями 2005/88/EC.

Уведомляемый участвующий орган:

Société Nationale de Certification et d'Homologation (Notified Body 0499)
2a. Kalchesbruck L-1852 Luxembourg

Todd Chipner
Г-н Директор, технике безопасности и стандартам
Winnenden, Jan. 25, 2019



Лицо, ответственное за подготовку технической документации:
Alexander Krug, Директор
Techtronic Industries GmbH
Max-Eyth-Straße 10, 71364 Winnenden, Germany

PL DEKLARACJA ZGODNOŚCI

Teichtronic Industries GmbH
Max-Eyth-Straße 10, 71364 Winnenden, Germany

Niniejszym deklarujemy, że produkty

Bezprzewodowa Kosiarka Do Trawy
Marka: RYOBI
Numer modelu: RLM18X33B40/RLM18C33B25/OLM1833B
Zakres numerów seryjnych:
RLM18X33B40: 46291001000001 - 46291001999999
RLM18C33B25: 46291001000001 - 46291001999999
OLM1833B: 46291001000001 - 46291001999999

jest zgodny z następującymi dyrektywami europejskimi i zharmonizowanymi normami

2006/42/EC, 2014/30/EU, 2000/14/EC, 2005/88/EC, 2011/65/EU,
EN 60335-1:2012 +A11:2014+A13:2017, EN 60335-2-77:2010,
EN 55014-1:2017, EN 55014-2:2015, EN 50581:2012

Zmierzony poziom natężenia hałasu: 93,6 dB(A)
Maksymalny poziom natężenia hałasu: 96 dB(A)

Metoda ocena zgodności zgodnie z aneksem VI Dyrektywa 2000/14/EC zmienioma przez dyrektywę 2005/88/EC.

Zaangażowany organ do powiadomienia:
Société Nationale de Certification et d'Homologation (Notified Body 0499)
2a, Kalchesbruck L-1852 Luxembourg

Todd Chipner
Starszy dyrektor ds. zgodności prawnej i bezpieczeństwa
Winnenden, Jan. 25, 2019



Osoba upoważniona do sporządzenia dokumentu technicznego:

Alexander Krug, Dyrektor Zarządzający
Teichtronic Industries GmbH
Max-Eyth-Straße 10, 71364 Winnenden, Germany

HU MEGFELELŐSÉGI NYILATKOZAT

Teichtronic Industries GmbH
Max-Eyth-Straße 10, 71364 Winnenden, Germany

Ezúton kijelentjük, hogy a termékek

Akkumulátoros Fűnyíró
Márka: RYOBI
Típuszám: RLM18X33B40/RLM18C33B25/OLM1833B
Sorozatszám tartomány:
RLM18X33B40: 46291001000001 - 46291001999999
RLM18C33B25: 46291001000001 - 46291001999999
OLM1833B: 46291001000001 - 46291001999999

megfelel az alábbi Európai Irányelvek és harmonizált szabványok vonatkozó rendelkezéseinek

2006/42/EC, 2014/30/EU, 2000/14/EC, 2005/88/EC, 2011/65/EU,
EN 60335-1:2012 +A11:2014+A13:2017, EN 60335-2-77:2010,
EN 55014-1:2017, EN 55014-2:2015, EN 50581:2012

Mért hangteljesítményszint: 93,6 dB(A)
Garantált hangteljesítményszint: 96 dB(A)

A megfelelőségi értékelési eljárás a 2000/14/EC irányelv VI. függeléké szerint történt által módosított 2005/88/EC irányelv.

A közreműködő tanúsító testület:
Société Nationale de Certification et d'Homologation (Notified Body 0499)
2a, Kalchesbruck L-1852 Luxembourg

Todd Chipner
Senior igazgató, Megfelelőségi és biztonsági területek
Winnenden, Jan. 25, 2019



A műszaki dokumentáció összeállítására felhatalmazott:

Alexander Krug, Ügyvezető Igazgató
Teichtronic Industries GmbH
Max-Eyth-Straße 10, 71364 Winnenden, Germany

CS PROHLÁŠENÍ O SHODĚ

Teichtronic Industries GmbH
Max-Eyth-Straße 10, 71364 Winnenden, Germany

Tímto prohlašujeme, že výrobky

Akkumulátorová Sekačka Trávy
Značka: RYOBI
Číslo modelu: RLM18X33B40/RLM18C33B25/OLM1833B
Rozsah sériových čísel:
RLM18X33B40: 46291001000001 - 46291001999999
RLM18C33B25: 46291001000001 - 46291001999999
OLM1833B: 46291001000001 - 46291001999999

že tento výrobek je v souladu s evropskými a harmonizovanými standardy

2006/42/EC, 2014/30/EU, 2000/14/EC, 2005/88/EC, 2011/65/EU,
EN 60335-1:2012 +A11:2014+A13:2017, EN 60335-2-77:2010,
EN 55014-1:2017, EN 55014-2:2015, EN 50581:2012

Změřená hladina akustického výkonu: 93,6 dB(A)
Zaručená hladina akustického výkonu: 96 dB(A)

Soulad s metodou určování pro přílohu VI směrnice 2000/14/EC upravená 2005/88/EC.

Upozorněte příčinný orgán:
Société Nationale de Certification et d'Homologation (Notified Body 0499)
2a, Kalchesbruck L-1852 Luxembourg

Todd Chipner
Vyšší ředitel, normy a bezpečnost
Winnenden, Jan. 25, 2019



Pověření ke kompilaci technického souboru:

Alexander Krug, Generální Ředitel
Teichtronic Industries GmbH
Max-Eyth-Straße 10, 71364 Winnenden, Germany

RO DECLARAȚIE DE CONFORMITATE

Teichtronic Industries GmbH
Max-Eyth-Straße 10, 71364 Winnenden, Germany

Prin prezenta, declarăm că produsele

Mașină de Tuns iarba Cu Acumulator
Mărcă: RYOBI
Număr serie: RLM18X33B40/RLM18C33B25/OLM1833B
Gamă număr serie:
RLM18X33B40: 46291001000001 - 46291001999999
RLM18C33B25: 46291001000001 - 46291001999999
OLM1833B: 46291001000001 - 46291001999999

este în conformitate cu următoarele Directive Europene și standarde armonizate

2006/42/EC, 2014/30/EU, 2000/14/EC, 2005/88/EC, 2011/65/EU,
EN 60335-1:2012 +A11:2014+A13:2017, EN 60335-2-77:2010,
EN 55014-1:2017, EN 55014-2:2015, EN 50581:2012

Nivelul măsurat al puterii acustice: 93,6 dB(A)
Nivel garantat al puterii acustice: 96 dB(A)

Metoda de evaluare a conformității cu Anexa VI Directiva 2000/14/EC modificată prin 2005/88/EC.

Organismul de notificare implicat:
Société Nationale de Certification et d'Homologation (Notified Body 0499)
2a, Kalchesbruck L-1852 Luxembourg

Todd Chipner
Director Senior, reglementare și siguranță
Winnenden, Jan. 25, 2019



Autorizat să completeze fișa tehnică:

Alexander Krug, Director General
Teichtronic Industries GmbH
Max-Eyth-Straße 10, 71364 Winnenden, Germany

LV ATBILSTĪBAS DEKLARĀCIJA

Technronic Industries GmbH
Max-Eyth-Straße 10, 71364 Winnenden, Germany

Ar šo paziņojam, ka produkti

Bezvadu Zāles plājumaišņa
Zīmols: RYOBI
Modeļa numurs: RLM18X33B40/RLM18C33B25/OLM1833B
Sērijas numura intervāls:
RLM18X33B40: 46291001000001 - 46291001999999
RLM18C33B25: 46291001000001 - 46291001999999
OLM1833B: 46291001000001 - 46291001999999

atbilst šādām Eiropas direktīvām un saskaņotajiem standartiem

2006/42/EC, 2014/30/EU, 2000/14/EC, 2005/88/EC, 2011/65/EU,
EN 60335-1:2012 +A11:2014+A13:2017, EN 60335-2-77:2010,
EN 55014-1:2017, EN 55014-2:2015, EN 50581:2012

Izmērītās skaņas jaudas līmenis: 93,6 dB(A)
Garantētās skaņas intensitātes līmenis: 96 dB(A)

Atbilstības novērtēšanas metode pielikumam VI Direktīvai 2000/14/EC labota 2005/88/EC.

Iesaistītā pilnvarotā iestāde:
Société Nationale de Certification et d'Homologation (Notified Body 0499)
2a, Kalchesbruck L-1852 Luxembourg

Todd Chipner
Vecākais Direktors, darba drošības noteikumi
Winnenden, Jan. 25, 2019

Pilnvarots sastādīt tehnisko failu:
Alexander Krug, Izpildedzinātājs
Technronic Industries GmbH
Max-Eyth-Straße 10, 71364 Winnenden, Germany

ET VASTAVUSDEKLARĀCIJĀ

Technronic Industries GmbH
Max-Eyth-Straße 10, 71364 Winnenden, Germany

Kinnitāme, et see toode

Juhtmeta Muruiniudik
Mark: RYOBI
Modeli number: RLM18X33B40/RLM18C33B25/OLM1833B
Seerianumbri vahemik:
RLM18X33B40: 46291001000001 - 46291001999999
RLM18C33B25: 46291001000001 - 46291001999999
OLM1833B: 46291001000001 - 46291001999999

vastab järgmistele Euroopa direktiividele ja harmoniseeritud standarditele

2006/42/EC, 2014/30/EU, 2000/14/EC, 2005/88/EC, 2011/65/EU,
EN 60335-1:2012 +A11:2014+A13:2017, EN 60335-2-77:2010,
EN 55014-1:2017, EN 55014-2:2015, EN 50581:2012

Möödetud helivõimsuse tase: 93,6 dB(A)
Garanteeritud helivõimsuse tase: 96 dB(A)

Vastavushindamine vastavalt lisale VI direktiivis 2000/14/EC muudetud direktiiviga 2005/88/EC.

Kontrolliga seotud teavitatud asutus:
Société Nationale de Certification et d'Homologation (Notified Body 0499)
2a, Kalchesbruck L-1852 Luxembourg

Todd Chipner
Vanemdirektor, standardiseerimise ja ohutuse jal
Winnenden, Jan. 25, 2019

Tehnilise faili koostamiseksi volitatud isik:
Alexander Krug, Tegevdirektor
Technronic Industries GmbH
Max-Eyth-Straße 10, 71364 Winnenden, Germany

LT ATITIKTIES DEKLARACIJA

Technronic Industries GmbH
Max-Eyth-Straße 10, 71364 Winnenden, Germany

Mes pareiškiame, kad šie produktai

Akumulatorinė žolapjovė
Prekės ženklas: RYOBI
Modelio numeris: RLM18X33B40/RLM18C33B25/OLM1833B
Serijinio numerio diapazonas:
RLM18X33B40: 46291001000001 - 46291001999999
RLM18C33B25: 46291001000001 - 46291001999999
OLM1833B: 46291001000001 - 46291001999999

pagamintas laikantis toliau nurodytųjų Europos Direktyvų ir darniųjų standartų

2006/42/EC, 2014/30/EU, 2000/14/EC, 2005/88/EC, 2011/65/EU,
EN 60335-1:2012 +A11:2014+A13:2017, EN 60335-2-77:2010,
EN 55014-1:2017, EN 55014-2:2015, EN 50581:2012

Išmatuotas akustinis lygis: 93,6 dB(A)
Garantuotas akustinis lygis: 96 dB(A)

Atitikties įvertinimo metodas pagal direktyvos 2000/14/EC, VI Priedą su pataisomis 2005/88/EC.

Ištraukta notifikuoti įstaiga:
Société Nationale de Certification et d'Homologation (Notified Body 0499)
2a, Kalchesbruck L-1852 Luxembourg

Todd Chipner
Vyr. direktorius, Kontrolės ir saugos
Winnenden, Jan. 25, 2019

Išgalios sudaryti techninį failą:
Alexander Krug, Generalinis Direktorius
Technronic Industries GmbH
Max-Eyth-Straße 10, 71364 Winnenden, Germany

HR IZJAVA O USKLADENOSTI

Technronic Industries GmbH
Max-Eyth-Straße 10, 71364 Winnenden, Germany

Ovime izjavljujemo da su proizvodi

Bežični Kosilica
Marka: RYOBI
Broj modela: RLM18X33B40/RLM18C33B25/OLM1833B
Raspon serijskog broja:
RLM18X33B40: 46291001000001 - 46291001999999
RLM18C33B25: 46291001000001 - 46291001999999
OLM1833B: 46291001000001 - 46291001999999

usklađen sa sljedećim Europskim Direktivama i usklađenim normama

2006/42/EC, 2014/30/EU, 2000/14/EC, 2005/88/EC, 2011/65/EU,
EN 60335-1:2012 +A11:2014+A13:2017, EN 60335-2-77:2010,
EN 55014-1:2017, EN 55014-2:2015, EN 50581:2012

Izmjerena razina zvučne snage: 93,6 dB(A)
Jamčena razina zvučne snage: 96 dB(A)

Metoda procjene usklađenosti prema Dodatku VI Direktive 2000/14/EC navedeno u 2005/88/EC.

Uključena oznaka broja tijela:
Société Nationale de Certification et d'Homologation (Notified Body 0499)
2a, Kalchesbruck L-1852 Luxembourg

Todd Chipner
Viši direktor, pravila i sigurnost
Winnenden, Jan. 25, 2019

Ovlašten da sastavi tehničku datoteku:
Alexander Krug, Direktor Upravljanja
Technronic Industries GmbH
Max-Eyth-Straße 10, 71364 Winnenden, Germany

SL IZJAVA O SKLADNOSTI

Techntronic Industries GmbH
Max-Eyth-Straße 10, 71364 Winnenden, Germany

Izjavljamo, da je izdelek

Brezžična Kosilnica
Znamka: RYOBI
Številka modela: RLM18X33B40/RLM18C33B25/OLM1833B
Razpon serijskih števil:
RLM18X33B40: 46291001000001 - 46291001999999
RLM18C33B25: 46291001000001 - 46291001999999
OLM1833B: 46291001000001 - 46291001999999

v skladu s sledečimi evropskimi direktivami in harmoniziranimi standardi
2006/42/EC, 2014/30/EU, 2000/14/EC, 2005/88/EC, 2011/65/EU,
EN 60335-1:2012 +A11:2014+A13:2017, EN 60335-2-77:2010,
EN 55014-1:2017, EN 55014-2:2015, EN 50581:2012

Izmerjena raven zvočne moči: 93,6 dB(A)
Zajamčena raven zvočne moči: 96 dB(A)

Način ugotavljanja skladnosti z aneksom VI direktive 2000/14/EC ki je bila spremenjena z 2005/88/EC.

Prijava organ:
Société Nationale de Certification et d'Homologation (Notified Body 0499)
2a, Kalchesbruck L-1852 Luxembourg

Todd Chipner
Višji direktor, zakonodajne in varnostne zadeve
Winnenden, Jan. 25, 2019

Pooblaščen oseba za sestavo tehnične dokumentacije:
Alexander Krug, Izvršni Direktor
Techntronic Industries GmbH
Max-Eyth-Straße 10, 71364 Winnenden, Germany



BG ДЕКЛАРАЦИЯ НА ЗА СЪОТВЕТСТВИЕ

Techntronic Industries GmbH
Max-Eyth-Straße 10, 71364 Winnenden, Germany

C настоящето декларираме, че продуктите

Безжичен Косачка за трева
Марка: RYOBI
Номер на модела: RLM18X33B40/RLM18C33B25/OLM1833B
Обхват на серийни номера:
RLM18X33B40: 46291001000001 - 46291001999999
RLM18C33B25: 46291001000001 - 46291001999999
OLM1833B: 46291001000001 - 46291001999999

отговаря на следните директиви на ЕС и хармонизирани стандарти
2006/42/EC, 2014/30/EU, 2000/14/EC, 2005/88/EC, 2011/65/EU,
EN 60335-1:2012 +A11:2014+A13:2017, EN 60335-2-77:2010,
EN 55014-1:2017, EN 55014-2:2015, EN 50581:2012

Измерено ниво на шум: 93,6 dB(A)
Гарантирано ниво на шум 96 dB(A)

Метод за оценяване на съответствието с приложение VI Директива 2000/14/EC, изменена от 2005/88/EC.

Отговорен нотифициращ орган:
Société Nationale de Certification et d'Homologation (Notified Body 0499)
2a, Kalchesbruck L-1852 Luxembourg

Todd Chipner
Главен директор, отдел Нормативни изисквания и безопасност
Winnenden, Jan. 25, 2019

Упълномощено лице за съставяне на техническия файл:
Alexander Krug, Изпълнителен Директор
Techntronic Industries GmbH
Max-Eyth-Straße 10, 71364 Winnenden, Germany



SK PREHLÁSENIE O ZHODE

Techntronic Industries GmbH
Max-Eyth-Straße 10, 71364 Winnenden, Germany

Týmto vyhlasujeme, že výrobok

Bezkáblová Kosačka Na Trávu
Značka: RYOBI
Číslo modelu: RLM18X33B40/RLM18C33B25/OLM1833B
Rozsah sériových čísiel:
RLM18X33B40: 46291001000001 - 46291001999999
RLM18C33B25: 46291001000001 - 46291001999999
OLM1833B: 46291001000001 - 46291001999999

je v súlade s nasledujúcimi Európskymi smernicami a harmonizovanými normami
2006/42/EC, 2014/30/EU, 2000/14/EC, 2005/88/EC, 2011/65/EU,
EN 60335-1:2012 +A11:2014+A13:2017, EN 60335-2-77:2010,
EN 55014-1:2017, EN 55014-2:2015, EN 50581:2012

Nameraná úroveň hluku: 93,6 dB(A)
Garantovaná úroveň hluku: 96 dB(A)

Spôsob určenia zhody podľa Dodatku VI Smernica 2000/14/EC doplnená o 2005/88/EC.

K ohlasovaniu úradom patria:
Société Nationale de Certification et d'Homologation (Notified Body 0499)
2a, Kalchesbruck L-1852 Luxembourg

Todd Chipner
vyšší riaditeľ, Regulácia a bezpečnosť
Winnenden, Jan. 25, 2019

Oprávnená osoba na zostavenie technického súboru:
Alexander Krug, Generálny Riaditeľ
Techntronic Industries GmbH
Max-Eyth-Straße 10, 71364 Winnenden, Germany



UK ДЕКЛАРАЦИЯ ПРО ВІДПОВІДНІСТЬ

Techntronic Industries GmbH
Max-Eyth-Straße 10, 71364 Winnenden, Germany

При цьому ми заявляємо, що продукт

Бездротова газонкосарка
Марка: RYOBI
Номер моделі: RLM18X33B40/RLM18C33B25/OLM1833B
Діапазон серійного номеру:
RLM18X33B40: 46291001000001 - 46291001999999
RLM18C33B25: 46291001000001 - 46291001999999
OLM1833B: 46291001000001 - 46291001999999

у відповідності з наступними європейськими директивами та гармонізованими стандартами

2006/42/EC, 2014/30/EU, 2000/14/EC, 2005/88/EC, 2011/65/EU,
EN 60335-1:2012 +A11:2014+A13:2017, EN 60335-2-77:2010,
EN 55014-1:2017, EN 55014-2:2015, EN 50581:2012

Вимірний рівень звукової потужності: 93,6 dB(A)
Гарантований рівень звукової потужності: 96 dB(A)

Метод оцінки відповідності Annex VI Directive 2000/14/EC з поправками, внесеними 2005/88 / EC.

Вповноважений орган, що приймає участь у оцінюванні відповідності:
Société Nationale de Certification et d'Homologation (Notified Body 0499)
2a, Kalchesbruck L-1852 Luxembourg

Todd Chipner
Ген. директор, регулювання і безпека
Winnenden, Jan. 25, 2019

Дозвіл на складання технічного файлу:
Alexander Krug, керуючий Директор
Techntronic Industries GmbH
Max-Eyth-Straße 10, 71364 Winnenden, Germany



TR UYGUNLUK BEYANI

Techtronic Industries GmbH
Max-Eyth-StraÙe 10, 71364 Winnenden, Germany

İř bu belge ile bu ürünün

Kablosuz çim biçme makinesi

Marka: RYOBI

Model numarası: RLM18X33B40/RLM18C33B25/OLM1833B

Seri numarası aralığı:

RLM18X33B40: 46291001000001 - 46291001999999

RLM18C33B25: 46291001000001 - 46291001999999

OLM1833B: 46291001000001 - 46291001999999

*ařağıdaki Avrupa Direktiflerine ve uyulařtırılmıř standartlara uygun olduėunu
beyan ediyorum*

2006/42/EC, 2014/30/EU, 2000/14/EC, 2005/88/EC, 2011/65/EU,

EN 60335-1:2012 +A11:2014+A13:2017, EN 60335-2-77:2010,

EN 55014-1:2017, EN 55014-2:2015, EN 50681:2012

Ölçülen ses gücü seviyesi: 93,6 dB(A)

Güvenceli ses gücü seviyesi: 96 dB(A)

2005/88/AT ile deėiřtirilen 2000/14/AT Direktifi Ek VI uyarınca uygunluk

deėerlendirmesi yöntemi

İlgili uyarılmıř makam:

Société Nationale de Certification et d'Homologation (Notified Body 0499)

2a. Kalchesbruck L-1852 Luxembourg

CE

Todd Chipner
Kıdemli Direktör, Düzenleme ve Güvenlik
Winnenden, Jan. 25, 2019

Teknik dosyayı derlemekle yetkili sorumlu:
Alexander Krug, Genel Müdür
Techtronic Industries GmbH
Max-Eyth-StraÙe 10, 71364 Winnenden, Germany



- EN** RYOBI is a trademark of Ryobi Limited, and is used under license.
- FR** RYOBI est une marque déposée de Ryobi Limited, et est utilisée sous license.
- DE** RYOBI ist ein Markenzeichen von Ryobi Limited und wird in Lizenz verwendet.
- ES** RYOBI es una marca registrada de Ryobi Limited, y se utiliza bajo licencia.
- IT** L'utilizzo del marchio registrato RYOBI è legato alla licenza concessa da Ryobi Limited.
- NL** RYOBI is een handelsmerk van Ryobi Limited en wordt onder licentie gebruikt.
- PT** RYOBI é uma marca comercial de Ryobi Limited, e é utilizada sob licença.
- DA** RYOBI er et varemærke tilhørende Ryobi Limited og bruges under licens.
- SV** RYOBI är en del av varumärke Ryobi Limited och dess användning är licensierad.
- FI** RYOBI on Ryobi Limitedin omistama tavaramerkki, ja sitä käytetään lisenssin puitteissa.
- NO** RYOBI er et varemerke for Ryobi Limited, og brukes under lisens.
- RU** RYOBI является товарным знаком компании Ryobi Limited, используемым по лицензии.
- PL** RYOBI to znak towarowy firmy Ryobi Limited i jest używany zgodnie z udzieloną licencją.
- CS** RYOBI je ochranná známka společnosti Ryobi Limited a její používání podléhá licenci.
- HU** A RYOBI a Ryobi Limited védjegye, használatát licenc keretében történik.
- RO** RYOBI este o marcă comercială a firmei Ryobi Limited și este utilizată sub licență.
- LV** RYOBI ir Ryobi Limited preču zīme un tiek izmantota saskaņā ar licenci.
- LT** „RYOBI” yra „Ryobi Limited” prekės ženklas, naudojamas pagal licenciją.
- ET** RYOBI on ettevõtte Ryobi Limited kaubamärk, mida kasutatakse litsentsi alusel.
- HR** RYOBI je žig tvrtke Ryobi Limited i koristi se po licenci.
- SL** RYOBI je blagovna znamka družbe Ryobi Limited in se uporablja na podlagi dovoljenja.
- SK** RYOBI je ochranná známka spoločnosti Ryobi Limited a používa sa na základe licencie.
- BG** RYOBI е търговска марка на Ryobi Limited и се използва под лиценз.
- UK** RYOBI є товарним знаком Ryobi Limited, і використовується за ліцензією.
- TR** RYOBI, Ryobi Limited şirketine ait olup, lisans altında kullanılan bir ticari markadır.





Techtronic Industries GmbH
Max-Eyth-Straße 10,
71364 Winnenden, Germany

961479015-02