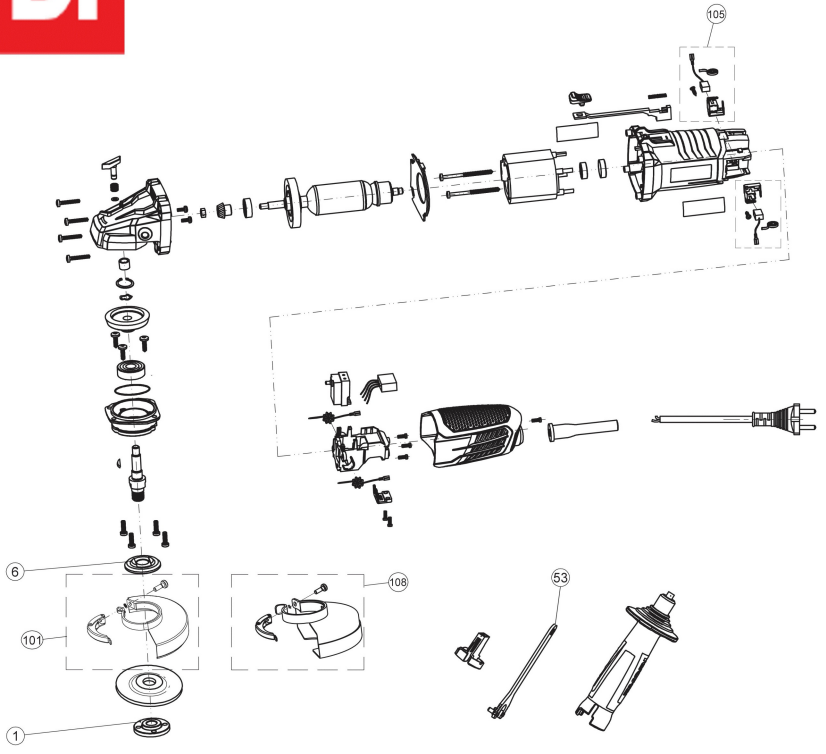


RAG800-125S Angle grinder IN2

5133002493 - RAG800-125 IN2 - 4000444602



4000444540
4000444541
4000444602
4000444603



Position	Quantity	Description	Part number	EAN
1001	1	CLAMPING FLANGE	5131033069	4002395156412
1006	1	CLAMPING FLANGE	5131033070	4002395156429
1053	1	WRENCH	5131033121	4002395156542
1101	1	GUARD CAP	5131033639	4002395148288
1105	1	CARBON BRUSH SET	5131040679	4058546059439
1108	1	CUTTING GUARD	5131033640	4002395148295