

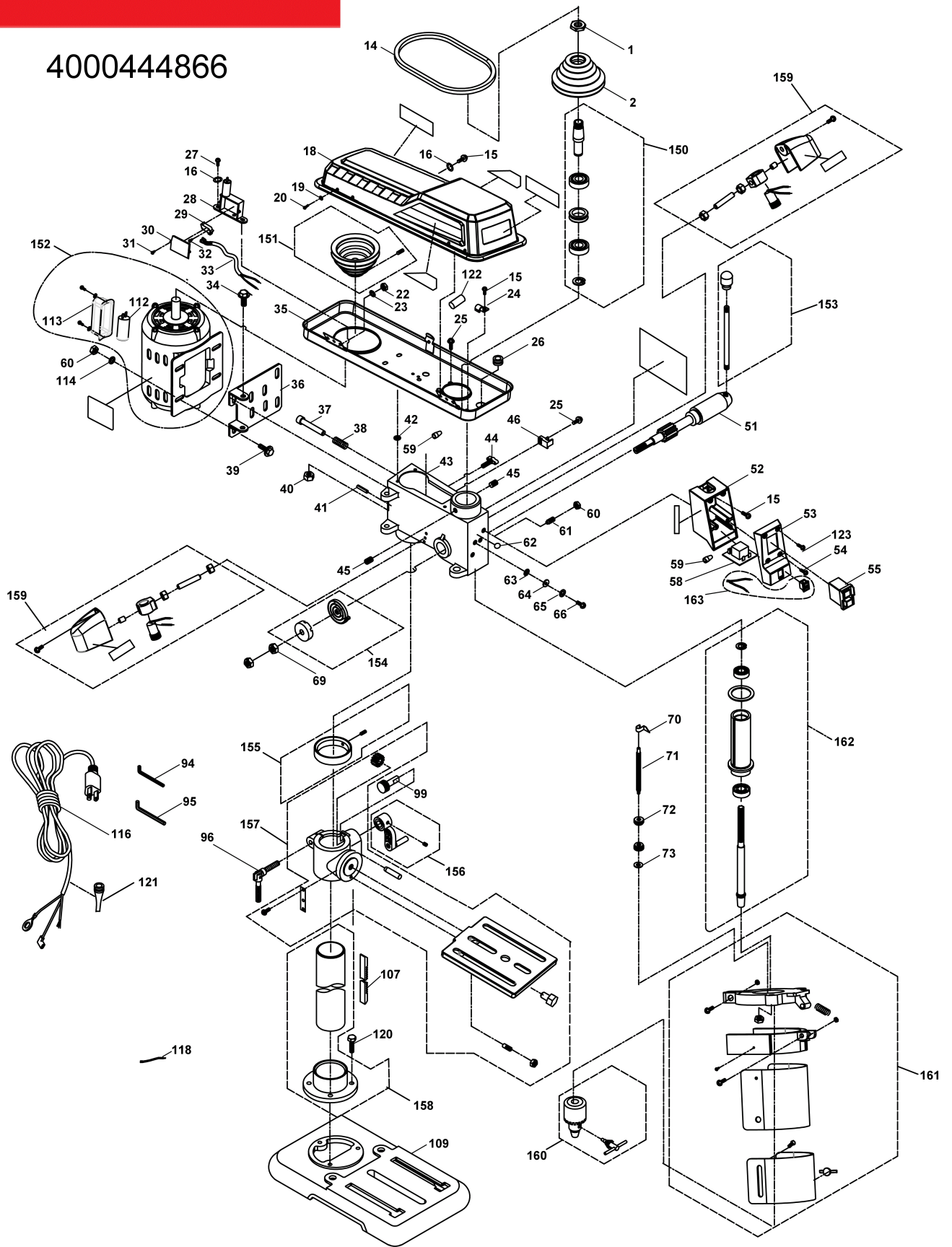
RDP102L 390W drill press GB2

5133002715 - RDP102L - 4000444866





4000444866



Position	Quantity	Description	Part number	EAN
1001	1	NUT	5131037646	4058546000639
1002	1	PULLEY	5131037647	4058546000646
1014	1	BELT	5131037648	4058546000653
1015	7	SCREW	5131037649	4058546000660
1016	3	WASHER	5131037650	4058546000677
1018	1	HOUSING COVER	5131037651	4058546000684
1019	4	WASHER	5131037652	4058546000691
1020	4	SCREW	5131037653	4058546000707
1022	4	NUT	5131037654	4058546000714
1023	4	WASHER	5131037655	4058546000721
1024	3	CLAMP	5131037656	4058546000738
1025	5	SCREW	5131037657	4058546000745
1026	2	BUSHING	5131037658	4058546000752
1027	2	SCREW	5131037659	4058546000769
1028	1	SWITCH RETAINER	5131037660	4058546000776
1029	1	SWITCH	5131037661	4058546000783
1030	1	SWITCH COVER	5131037662	4058546000790
1031	2	SCREW	5131037663	4058546000806
1032	2	SCREW	5131037664	4058546000813
1033	1	WIRE	5131037665	4058546000820
1034	2	SCREW	5131037666	4058546000837
1035	1	BELT GUARD	5131037667	4058546000844
1036	1	CHAIN CLAMP BODY	5131037668	4058546000851
1037	1	ROD	5131037669	4058546000868
1038	1	SPRING	5131037670	4058546000875
1039	4	SCREW	5131037671	4058546000882
1040	2	NUT	5131037672	4058546000899
1041	1	PIN	5131037673	4058546000905
1042	4	WASHER	5131037674	4058546000912
1043	1	GEAR HEAD	5131037675	4058546000929
1044	1	KNOB	5131037676	4058546000936
1045	3	SCREW	5131037677	4058546000943
1046	1	HOLDER	5131037678	4058546000950
1051	1	FEED SPINDLE	5131037679	4058546000967
1052	1	SWITCH RETAINER	5131037680	4058546000974
1053	1	SWITCH COVER	5131037681	4058546000981
1054	2	SCREW	5131037682	4058546000998
1055	1	SWITCH	5131037683	4058546001001
1058	1	PRINTED CIRC. BOARD	5131037684	4058546001018
1059	4	TERMINAL	5131037685	4058546001025
1060	5	NUT	5131037686	4058546001032
1061	1	SCREW	5131037687	4058546001049
1062	1	BALL	5131037688	4058546001056
1063	2	WASHER	5131037689	4058546001063
1064	2	WASHER	5131037690	4058546001070
1065	2	LOCKING WASHER	5131037691	4058546001087
1066	2	SCREW	5131037692	4058546001094
1069	2	NUT	5131037693	4058546001100
1070	1	POINTER	5131037694	4058546001117
1071	1	BOLT	5131037695	4058546001124

Position	Quantité	Désignation	Référence	EAN
1072	2	NUT	5131037696	4058546001131
1073	1	WASHER	5131037697	4058546001148
1094	1	WRENCH	5131037698	4058546001155
1095	1	WRENCH	5131037699	4058546001162
1096	1	LOCKING SCREW	5131037700	4058546001179
1099	1	WORM GEAR WHEEL	5131037701	4058546001186
1107	1	TOOTH RACK	5131037706	4058546001230
1109	1	BASE PLATE	5131037707	4058546001247
1112	1	CAPACITOR	5131037708	4058546001254
1113	1	COVER	5131037709	4058546001261
1114	4	WASHER	5131037710	4058546001278
1116	1	POWER CORD	5131037711	4058546001285
1118	1	WIRE	5131037712	4058546001292
1120	3	SCREW	5131037713	4058546001308
1121	1	CABLE ENTRY SLEEVE	5131037714	4058546001315
1122	3	JOINT PIECE	5131037978	4058546004927
1123	2	SCREW	5131037715	4058546001322
1150	1	SHAFT	5131037716	4058546001339
1151	1	PULLEY	5131037717	4058546001346
1152	1	MOTOR ASSEMBLY	5131037718	4058546001353
1153	1	HANDLE	5131037719	4058546001360
1154	1	CUP SPRING	5131037720	4058546001377
1155	1	ACCEPTANCE	5131037721	4058546001384
1156	1	CRANK WHEEL	5131037722	4058546001391
1157	1	SUPPORT BRACKET	5131000000	
1158	1	COLUMN	5131037724	4058546001414
1159	2	ELECTRONIC	5131037725	4058546001421
1160	1	CHUCK	5131037726	4058546001438
1161	1	GUARD CAP	5131037727	4058546001445
1162	1	DRIVING SHAFT	5131037728	4058546001452
1163	1	SWITCH	5131037729	4058546001469