

RYOBI®

RSH3045U

ORIGINAL INSTRUCTIONS
TRADUCTION DES INSTRUCTIONS ORIGINALES
ÜBERSETZUNG DER ORIGINALANLEITUNG
TRADUCCIÓN DE LAS INSTRUCCIONES ORIGINALES
TRADUZIONE DELLE ISTRUZIONI ORIGINALI
VERTALING VAN DE ORIGINELE INSTRUCTIES
TRADUÇÃO DAS INSTRUÇÕES ORIGINAIS
OVERSÆTTELSE AF DE ORIGINALE INSTRUKTIONER
ÖVERSÄTTNING AV DE URSPRUNGLIGA INSTRUKTIONERNA
ALKUPERÄISTEN OHJEIDEN SUOMENNO
OVERSETTELSE AV DE ORIGINALE INSTRUKSJONENE
ПЕРЕВОД ОРИГИНАЛЬНЫХ ИНСТРУКЦИЙ
TŁUMACZENIE INSTRUKCJI ORYGINALNEJ
PŘEKLAD ORIGINÁLNÍCH POKYNŮ
AZ EREDETI ÚTMUTATÓ FORDÍTÁSA
TRADUCEREA INSTRUCȚIUNILOR ORIGINALE
TULKOTS NO ORIĢINĀLĀS INSTRUKCIJAS
ORIGINALIŲ INSTRUKCIJŲ VERTIMAS
ORIGINAALJUHENDI TÕLGE
PRIJEVOD ORIGINALNIH UPUTA
PREVOD ORIGINALNIH NAVODIL
PREKLAD ORIGINÁLNYCH POKYNOV
ПРЕВОД ОТ ОРИГИНАЛНИТЕ ИНСТРУКЦИИ
PEREKLAÐ ORIGINÁLNYX INSTRUKCÍJ
ORIJINAL TALIMATLARIN ÇEVIRILERI



EN
FR
DE
ES
IT
NL
PT
DA
SV
FI
NO
RU
PL
CS
HU
RO
LV
LT
ET
HR
SL
SK
BG
UK
TR





- Important!** It is essential that you read the instructions in this manual before assembling, maintaining and operating the product.
- Attention!** Il est essentiel que vous lisiez les instructions contenues dans ce manuel avant d'assembler, d'entretenir et d'utiliser le produit.
- Achtung!** Es ist wichtig, dass Sie vor Zusammenbau, Wartung und Benutzung des Produktes die Anweisungen in dieser Anleitung lesen.
- ¡Atención!** Resulta fundamental que lea este manual de instrucciones antes de realizar el montaje, el mantenimiento y de utilizar este producto
- Attenzione!** È importante leggere le istruzioni contenute nel presente manuale prima di montare il prodotto, svolgere le operazioni di manutenzione sullo stesso e metterlo in funzione.
- Let op!** Het is van essentieel belang dat u de instructies in deze gebruiksaanwijzing leest voor u het product monteert, onderhoudt en gebruikt.
- Atenção!** É fundamental que leia as instruções deste manual antes da montagem, manutenção e operação do aparelho.
- OBS!** Det er vigtigt, at man læser instrukserne i denne brugsanvisning, inden man samler, vedligeholder og betjener produktet.
- Observera!** Det är viktigt att du läser instruktionerna i manualen före montering, användning och underhåll av produkten.
- Huomio!** On tärkeää, että luet tämän käsikirjan ohjeet ennen tuotteen kokoamista, huoltoa ja käyttöä.
- Advarsel!** Det er viktig at du leser instruksjonene i denne manualen før sammensetning, vedlikehold og bruk av produktet
- Внимание!** Необходимо прочитать инструкции в данном руководстве перед сборкой, обслуживанием и эксплуатацией этого изделия.
- Uwaga!** Koniecznie należy przeczytać instrukcje zawarte w tym podręczniku przed montażem, obsługą oraz konserwacją produktu.
- Důležité upozornění!** Neinstalujte, neprovádějte údržbu ani nepoužívejte tento výrobek dříve, než si přečtete pokyny uvedené v tomto návodu.
- Figyelem!** Fontos, hogy a termék összeszerelése, karbantartása és használatá elött elolvassa a kézikönyvben található utasításokat.
- Atenție!** Este esențial să citiți instrucțiunile din acest manual înainte de asamblare, efectuarea întreinerii și operarea produsului.
- Uzmanību!** Ir svarīgi izlasīt šīs rokasgrāmatas instrukcijas pirms uzstādīšanas, apkopes un precas darbināšanas.
- Dėmesio!** Prieš surenkant, prižiūrint ir naudojam gaminį, būtina perskaityti šiamė vadove pateiktus nurodymus.
- Tähtis!** Enne masina kokkupanekut, hooldamist ja kasutama hakkamist tuleb käesolevas juhendis esitatud juhised kindlasti läbi lugeda.
- Upozorenje!** Vrlo je važno da ste prije sklapanja, održavanja i rada s ovim proizvodom pročitali upute u ovom priručniku.
- Pomembno!** Pomembno je da pred montažo vzdrževanjem in uporabo tega izdelka preberete navodila v tem priročniku.
- Upozornenie!** Je dôležité, aby ste si pred montážou, údržbou a obsluhou produktu prečítali pokyny v tomto návode.
- Важно!** Исключительно важно е да прочетете инструкциите в настоящото ръководство, преди да преминете към сглобяване, поддръжка или работа с продукта.
- Важливо!** Дуже важливо, щоб ви прочитали інструкції в цьому керівництві перед складанням, обслуговуванням та експлуатацією цієї машини.
- Önemli!** Ürünü monte etmeden, kullanmadan ve bakımını yapmadan önce bu kılavuzdaki talimatları okumanız önemlidir.

Subject to technical modification | Sous réserve de modifications techniques | Technische Änderungen vorbehalten | Bajo reserva de modificaciones técnicas | Con riserva di eventuali modifiche tecniche | Technische wijzigingen voorbehouden | Com reserva de modificações técnicas | Med forbehold for tekniske ændringer | Med förbehåll för tekniska ändringar | Tekniset muutokset varataan | Med forbehold om tekniske endringer | могут быть внесены технические изменения | Z zastrzeżeniem modyfikacji technicznych | Změny technických údajů vyhrazeny | A műszaki módosítás jogát fenntartjuk | Sub rezerva modificațiilor tehnice | Paturam tiesības mainīt tehniskos raksturlielumus | Pasiliekiant teisę daryti techninius pakeitimus | Tehnilised muudatused võimalikud | Podloženo tehničkim promjenama | Tehnične spremembe dopuščene | Právo na technické zmeny je vyhradené | Подлежи на технически модификации | Є об'єктом для технічних змін | Teknik değişikliğe tabidir.



Safety, performance, and dependability have been given top priority in the design of your electric silent shredder.

INTENDED USE

The electric silent shredder is intended for use outdoors in a stationary position by an operator standing on the ground.

The product is designed for reducing organic garden waste materials, such as branches, twigs, and foliage.

The product is not intended for non-organic material, metal or material which exceeds its maximum cutting capacity of 45 mm diameter.

The product must be mounted on the stand provided and must be used with the collection bin provided. It must not be mounted in any other way than shown in this manual.

Do not use the product for any other purpose.

GENERAL SAFETY RULES

⚠ WARNING

The product is not intended for use by children or persons with reduced physical, mental, or sensory capabilities. Young children should be supervised at all times by someone other than the operator to ensure that they do not play near or with the product.

⚠ WARNING

When using the product, basic safety precautions should be followed to reduce the risk of fire, electric shock, and personal injury. Read all of these safety instructions carefully before operating the product. Make sure you are familiar with the controls and the proper and safe use of the product. Please keep these instructions safe for later use.

TRAINING

- Become familiar with the user guide before attempting to operate the product.
- Never allow children or people unfamiliar with these instructions to use the product. Local regulations may restrict the age of the operator.
- The operator or user of the product is responsible for accidents or hazards

occurring to other people or their property.

PREPARATION

- Never operate the product in the vicinity of bystanders, especially children and pets.
- Never use the product in bad weather or when there is a risk of lightning.
- Wear ear protection and safety glasses at all times while operating the product.
- While operating the product, always wear substantial (non-slip) footwear and long trousers. Avoid wearing clothing that is loose fitting or that has hanging cords or ties. Do not operate the product when barefoot or when wearing open sandals.
- Only operate the product in open space (e.g. not close to a wall or a fixed object) and on a firm, level surface.
- Do not operate the product on a paved or gravel surface where ejected material could cause injury.
- Before starting the product, check that all screws, nuts, bolts, and other fasteners are properly secured and that guards and collection bin are in place. Return to an authorised service centre to replace damaged or unreadable labels.
- Before use check the supply and extension cord for signs of damage or aging. If the cord becomes damaged during use, disconnect the cord from the supply immediately. Do not touch the cord before disconnecting the supply. Do not use the product if the cord is damaged or worn.

ELECTRICAL SAFETY

- Read these safety instructions thoroughly before connecting the product to the mains supply.
- Before turning on, make sure that the voltage of your electricity supply is the same as that indicated on the rating plate. The manufacturer recommends that you connect to a power socket protected by an RCD with a trip current of not more than 30 mA.
- Connecting it to any other power source may cause damage.
- If the supply cord is damaged, it must be replaced by the manufacturer, its service agent or similarly qualified persons in order to avoid a hazard.

- If you need to use an extension cord, ensure it is suitable for outdoor use and has a current capacity rating sufficient to supply your product. The extension cord cable should be marked with either “H05 RN-F” or “H05 VV-F”. Check it before every use for damage, always uncoil it during use because coiled cords can overheat. Damaged extension cords should not be repaired, they should be replaced with an equivalent type.
- Keep extension cords away from moving hazardous parts to avoid damages to the cords, which can lead to contact with live parts.
- inspect for damage;
- check for and tighten any loose parts;
- have any damaged parts replaced or repaired with genuine RYOBI spare parts.
- Do not allow processed material to build up in the discharge chute as this may prevent proper discharge or blockage and can result in kickback of material through the feed intake opening.
- If the product becomes clogged, turn off the product and allow the cutters to completely stop. Disconnect the product from its power supply before clearing debris.

SHREDDER SAFETY WARNINGS

ASSEMBLY

- While setting up the product for use, make sure that the product is secured so that it does not tip over. *See page 197.*

OPERATION

- Before starting the product, look into the feeding chamber to make certain that it is empty.
- Keep your face and body away from the feed intake opening.
- Do not allow hands or any other part of the body or clothing inside the feeding chamber, discharge chute, or near any moving part.
- Always be sure of your footing. Keep firm footing and balance at all times. Do not overreach. Never stand at a higher level than the base of the product when feeding material into it. Be careful when using the product on slopes. Walk, never run.
- Always stand clear of the discharge zone when operating the product.
- When feeding material into the product be extremely careful that pieces of metal, rocks, bottles, cans or other foreign objects are not included.
- If the cutting mechanism strikes any foreign objects or if the product should start making any unusual noise or vibration, turn off the product and allow the cutters to completely stop. Disconnect the product from its power supply, and take the following steps:
 - Do not move or transport the product while the motor is running.
 - Turn off the product and disconnect from the power supply. Make sure all moving parts have come to a complete stop:
 - before leaving the product unattended
 - before clearing a blockage
 - before checking, cleaning, or maintaining the product.
 - Do not tilt the product while the motor is running.
 - Never modify parts from the product or use parts not recommended by RYOBI, this may increase the risk of serious injury to yourself or others.
 - Always ensure that ventilation openings are kept clear of debris; otherwise, the motor may overheat resulting in possible damage to the product or increase the risk of fire.
 - Immediately turn off the product and disconnect from the power supply in the event of accident or breakdown. Do not operate the product again until it has been fully checked by an authorised service centre.
 - Turn off the product before attaching or removing the collection bin.

⚠ WARNING

Injuries may be caused, or aggravated, by prolonged use of a tool. When using any tool for prolonged periods, ensure you take regular breaks.

TRANSPORTATION AND STORAGE

- Make sure that the product has been thoroughly cleaned before storing it in a clean, dry place, and secured out of the reach of children.
- Allow the product to adequately cool down before storing or transporting.
- When transporting the product in a vehicle, secure it against movement or falling to prevent injury to persons or damage to the product.

MAINTENANCE

Before cleaning, inspecting or servicing the product, turn it off and allow the cutters to completely stop, disconnect the electric supply. After some time of shredding the cutting mechanism will become hot. Allow it to adequately cool down before cleaning, inspecting or adjusting.

⚠ WARNING

The cutter blades are extremely sharp. To avoid injury, exercise extreme caution and care when cleaning or working near the blades or inside the opened enclosure when the collection bin is removed. Always wear heavy-duty protective gloves.

- Be aware that the cutting means can still be moved even when the power is off or if the interlock switch is engaged.
- To ensure the best performance from the product, it must be kept clean.
- Always clean the product immediately after use. Wherever possible use a stiff brush inside the feed and discharge chutes and a dry cloth on the outside of the product.
- Do not allow material to become dry and hard on any of the product surfaces, but particularly on the blades. This will directly affect the shredding performance.
- Make sure that the feeding chute and the ejection chute are kept clean and clear of

all waste material

- Make sure that all nuts, bolts and screws (except the adjusting screw) are tight and secure.
- Always have any damaged or worn parts repaired, or replaced by qualified personnel at an approved RYOBI service centre.
- Never attempt to bypass the interlock switches on the collection bin or the front cover of the cutter assembly.

⚠ WARNING

Do not at any time let brake fluids, gasoline, petroleum-based products, penetrating oils, etc., come in contact with plastic parts. Never use brake fluids, gasoline, petroleum-based products, or any solvents to clean the product. Most plastics are susceptible to damage from various types of commercial solvents and may be damaged by their use.

- You may perform maintenance tasks described in this manual. For other repairs or advice, seek the assistance of an approved RYOBI service centre.

SHAVING PLATE ADJUSTMENT

- The product performs at its best by following these steps. Before use, always check that the blades are not in contact with the shaving plate. For optimal performance, keep a 1 mm gap between the blades and the shaving plate.
- If the product fails to shred material, the shaving plate may need adjustment or the blades may need to be sharpened.
- Over time the blades on the product need to be adjusted. This can be completed by adjusting the shaving plate so it will come into light contact with the blades. Ensure the product is turned on and working in normal forward direction. Adjusting the shaving plate while the motor is turned off could lead to serious damage to the product.
NOTE: Adjusting the shaving plate should only be attempted when deemed totally necessary. Adjusting the shaving plate too often or too far could cause the product to stop working.
- While the product is running, turn the adjusting knob clockwise.

- When you hear metal on metal contact or you see fine aluminium shavings in the bottom of the collection container, stop the adjustment and allow the product to run for 30 seconds to sharpen the blades. Once sharpening is complete, turn the adjustment knob counterclockwise until it is no longer in contact with the shaving plate, leaving a 1 mm gap.

NOTE: Sharpening the blades requires very light contact with the shaving plate. Complete any adjustment slowly to avoid damaging the product. Over adjusting the plate can cause serious damage to the product.

- After each period of operation, exercise to increase blood circulation.
- Take frequent work breaks. Limit the amount of exposure per day.

If you experience any of the symptoms of this condition, immediately discontinue use and see your physician.

⚠ WARNING

Injuries may be caused, or aggravated, by prolonged use of a product. When using any product for prolonged periods, ensure you take regular breaks.

RESIDUAL RISK

Even when the product is used as prescribed, it is still impossible to completely eliminate certain residual risk factors. The following hazards may arise during use and the operator should pay special attention to avoid the following:

- injury caused by exposure to noise
 - Wear hearing protection and limit exposure.
- injury caused by inhalation of dust and particles
 - Wear dust mask with filter when necessary.
- injury caused by contact with the cutting mechanism
 - Keep unprotected body parts away from the cutting mechanism at all times.

RISK REDUCTION

It has been reported that vibrations from handheld tools may contribute to a condition called Raynaud's Syndrome. Symptoms may include tingling, numbness, and blanching of the fingers, usually apparent upon exposure to cold. Hereditary factors, exposure to cold and dampness, diet, smoking, and work practices are all thought to contribute to the development of these symptoms. There are measures that can be taken by the operator to possibly reduce the effects of vibration:

- Keep your body warm in cold weather. When operating the product, wear gloves to keep the hands and wrists warm. It is reported that cold weather is a major factor contributing to Raynaud's Syndrome.

KNOW YOUR PRODUCT

See page 196

1. Start switch
2. Stop switch
3. Reverse switch
4. Overload protective device reset button
5. Feeding chute
6. Handle
7. Shaving plate adjusting knob
8. Wheel
9. Collection bin
10. Safety switch
11. Material plunger

NOTE: Pulling up the safety switch after the collection bin is inserted into the product activates the safety switch.

SHREDDING GUIDE

For best results when shredding, follow the guidelines shown in the table below.

MATERIAL	SHREDDING METHOD
Twigs up to 6 mm diameter.	Feed into the feeding chute at a rate which the product will accept without overloading.
Branches up to 45 mm in diameter.	Clip off all side growth with secateurs before feeding into the feeding chute.
Bedding plants, weeds and shrubby growth.	Knock soil and stones off the roots to avoid damage to the blades.

Dry sticks and twigs By inserting these at the end of your shredding task, this will help to clean the moisture and plant sap from the inside of the product and the cutting assembly.

- Do not allow garden waste to accumulate before shredding as it will begin to compost, become too damp and clog the cutting assembly. Dry material will help most material to clear the ejection chute. Save some dry sticks until last to help clean the blade area.
- Frequently monitor the build up/collection of shredded material.
- The exit of the discharge chute must be clear at all times to prevent blockages.
- When the collection bin is full, turn off the product before emptying.

⚠ WARNING
Do not put your hands up inside the shredder's discharge chute to clear away shredded material while the product is turned on or connected to the mains supply. The blades are sharp. Wear heavy-duty gloves and exercise extreme caution when cleaning and clearing blockages.

⚠ WARNING
When feeding long woody branches/stems into the product be careful of whip and vibrations as they get caught by the cutter. The operator must wear eye protection whenever using the product.

⚠ WARNING
The cutting device has a tendency to pull branches/stems into the product. Do not try to impede entry of the material being cut once feeding has started. Always wear gloves to prevent skin lacerations when feeding material into the product.

NOTE: While setting up the product for use, make sure that the product is secured so that it does not tip over (see steps 2 to 6 on page 197).

NOTE: In normal use, do not turn off the product until all of the shredded material has cleared the cutter assembly. If the product is turned off too quickly, remaining pieces of material may clog the blade assembly and stall the motor when the product is turned back on.

SYMBOLS ON THE PRODUCT



Read and understand all instructions before operating the product, follow all warnings and safety instructions.



Beware of thrown or flying objects. Keep all bystanders, especially children and pets, at least 15 m away from the operating area



Danger - Rotating blades. Keep hands and feet out of openings while the product is running.



Turn off and remove plug from mains before maintenance or if cord is damaged.



Wear eye and ear protection.



Do not use as a step.



Wait until all machine components have completely stopped before touching them.



Wear non-slip, heavy duty gloves.



Conforms to all regulatory standards in the country in the EU where the product is purchased.



EurAsian Conformity Mark



Ukrainian mark of conformity



The guaranteed sound power level is 102 dB



Class II: Protection against electric shock rely on double insulation or reinforced insulation.



Waste electrical products should not be disposed of with household waste. Please recycle where facilities exist. Check with your local authority or retailer for recycling advice.



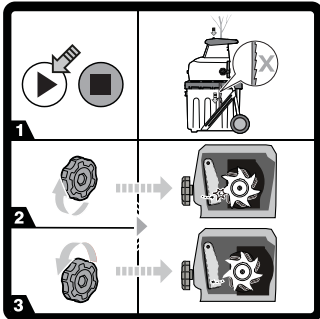
Start



Stop



Reverse



If the product fails to shred material, the shaving plate may need adjusting.

1. Turn on the product.
2. Turn the shaving plate adjustment knob clockwise till you hear metal on metal contact or you see fine aluminum shavings in the bottom of the collection container.
3. After 30 seconds, turn the knob counterclockwise until the shaving plate has a gap of 1 mm from the blades.

SYMBOLS IN THIS MANUAL



Connect to power outlet.



Disconnect from power outlet.



Parts or accessories sold separately



Note



Warning



Lock



Unlock



Keep hands away from blades

The following signal words and meanings are intended to explain the levels of risk associated with this product.

DANGER

Indicates an imminently hazardous situation, which, if not avoided, will result in death or serious injury.

WARNING

Indicates a potentially hazardous situation, which, if not avoided, could result in death or serious injury.

CAUTION

Indicates a potentially hazardous situation, which, if not avoided, may result in minor or moderate injury.

CAUTION

Without safety alert symbol

Indicates a situation that may result in property damage.

TROUBLESHOOTING

PROBLEM	CAUSE	ACTION
Motor does not run.	The overload protection device has operated	Wait for the motor to cool, press the overload protective device reset button. Turn on the product again.
	Power failure	Check the power supply cable, the plug and the house fuse.
	Collection bin is not inserted into the product and/or safety switch is not activated.	Insert the collection bin and then pull up the safety switch to activate it.
Material to be shredded is not drawn in	The material is jammed in the feeding funnel.	Follow instruction in the manual for clearing obstructions.
	Shaving plate is too far from the cutting means.	Follow instruction in the manual for shaving plate adjustment.

La plus grande priorité a été donnée à la sécurité, aux performances et à la fiabilité de votre broyeur électrique silencieux lors de sa conception.

UTILISATION PRÉVUE

La déchiqueteuse électrique silencieuse est prévue pour être utilisée en extérieur, en position stationnaire, par un opérateur se tenant au sol.

Ce produit est conçu pour réduire les déchets de jardin organiques, tels que les branches, les brindilles et les feuilles.

Le produit ne convient pas aux matières non-organiques, aux métaux ou aux matières dépassant sa capacité de coupe maximale de 45 mm de diamètre.

Le produit doit être monté sur le support fourni et utilisé avec le bac collecteur prévu. Il ne doit pas être monté d'une façon autre que celles montrées dans ce manuel.

Utilisez ce produit pour aucun autre travail.

RÈGLES GÉNÉRALES DE SÉCURITÉ

⚠ AVERTISSEMENT

Ce produit ne doit pas être utilisé par des enfants ou par des personnes aux capacités physiques, sensorielles ou mentales diminuées. Les jeunes enfants doivent être surveillés en permanence par une autre personne que l'opérateur afin de s'assurer qu'ils ne jouent pas avec le produit ou dans son voisinage.

⚠ AVERTISSEMENT

Lors de l'utilisation du produit, il convient de respecter certaines précautions de sécurité de base afin de réduire les risques d'incendie, de décharge électrique et de blessure. Lisez attentivement toutes ces instructions de sécurité avant d'utiliser le produit. Familiarisez-vous avec la manipulation des commandes et avec l'utilisation sûre et correcte du produit. Veuillez conserver ces instructions pour vous-y reporter ultérieurement.

FORMATION

- Avant d'utiliser le produit, se familiariser avec le guide de l'utilisateur.

- Ne laissez jamais les enfants ou les personnes non familiarisées avec ces instructions utiliser le produit. Les lois locales peuvent imposer un âge minimum à l'opérateur.
- En cas d'accident ou d'exposition de tiers ou de leurs biens à des risques, l'opérateur ou l'utilisateur du produit est responsable.

PRÉPARATION

- Ne jamais utiliser le produit à proximité d'observateurs, tout particulièrement d'enfants et d'animaux domestiques.
- Ne jamais utiliser le produit par mauvais temps ou en cas de risque d'orage.
- Portez une protection auditive et des lunettes de sécurité en permanence lorsque vous utilisez la machine.
- Portez toujours de solides chaussures (antidérapantes) et un pantalon long lorsque vous utilisez le produit. Évitez de porter des vêtements amples ou qui possèdent des cordons ou attaches qui pendent. N'utilisez pas la machine pieds nus ou avec des sandales ouvertes.
- Utiliser le produit uniquement dans un espace ouvert (par exemple : loin d'un mur ou d'un objet fixe), sur une surface ferme et de niveau.
- N'utilisez pas la machine sur une surface pavée ou gravillonnée, la projection de ces matériaux pouvant causer des blessures.
- Avant de mettre le produit en marche, vérifiez que l'ensemble des vis, écrous, boulons et autres fixations sont correctement fixés, et que les protections ainsi que le bac de collecte sont en place. Adressez-vous à un service après-vente agréé pour le remplacement des étiquettes abîmées ou illisibles.
- Avant utilisation, vérifiez que le câble d'alimentation et la rallonge ne sont pas endommagés ou usés. Si le câble d'alimentation venait à être endommagé pendant utilisation, débranchez-le immédiatement du secteur. Ne touchez pas au câble avant d'avoir débranché l'alimentation. N'utilisez pas la machine si le câble est endommagé ou usé.



SÉCURITÉ RELATIVE AU SYSTÈME ÉLECTRIQUE

- Lisez attentivement ces instructions de sécurité électrique avant de brancher l'appareil sur le secteur.
- Avant de mettre la machine sous tension, s'assurer que la tension de l'alimentation électrique est identique à celle indiquée sur la plaque de spécifications nominales. Le fabricant conseille de se connecter à une prise d'alimentation protégée par un dispositif de courant résiduel (disjoncteur), avec un courant de déclenchement ne dépassant pas les 30 mA
- Le raccordement à une autre source de courant est susceptible d'entraîner des dommages.
- Si le câble d'alimentation est endommagé, il doit être remplacé par le fabricant, un de ses agents agréés, ou une personne aux qualifications similaires afin d'éviter tout danger.
- Si vous devez utiliser une rallonge électrique, assurez-vous qu'elle est prévue pour une utilisation à l'extérieur et que sa section est suffisante pour alimenter votre outil. Le câble de la rallonge électrique doit porter la mention « H05 RN-F » ou « H05 VV- F ». Vérifiez le bon état de la rallonge avant chaque utilisation, déroulez-la toujours lorsque vous l'utilisez afin d'éviter qu'elle ne surchauffe. Les rallonges endommagées ne doivent pas être réparées, elles doivent être remplacées par un modèle équivalent.
- Pour ne pas endommager les rallonges et risquer un contact avec des pièces sous tension, tenez les rallonges éloignées des pièces dangereuses en mouvement.

MISES EN GARDE DE SÉCURITÉ CONCERNANT LA DÉCHIQUETEUSE

MONTAGE

- Lors de la préparation du produit à des fins d'utilisation, assurez-vous que le produit est sécurisé et qu'il ne risque pas de basculer. *Voir page 197.*

UTILISATION

- Avant de mettre la machine en marche, assurez-vous que le tunnel d'alimentation est vide.

- Gardez votre visage et votre corps éloignés de l'ouverture d'alimentation.
- N'approchez pas vos mains ou toute partie de votre corps ni vos vêtements de la chambre d'alimentation, de la sortie d'éjection, ou de tout élément en mouvement.
- Gardez toujours un bon appui sur vos jambes. Assurez-vous de toujours rester en position stable et de ne pas perdre l'équilibre. Ne pas se précipiter. Ne vous tenez jamais plus haut que la base de la machine lorsque vous introduisez des matières à broyer. Faire preuve de prudence lors de l'utilisation du produit sur des terrains en pente. Marchez, ne courez jamais.
- Toujours se tenir éloigné de la zone de déchargement lors de l'utilisation du produit.
- Lorsque vous introduisez des matières à broyer dans la machine, faites particulièrement attention qu'elles soient exemptes de morceaux de métal, de pierres, de bouteilles, de boîtes de conserves ou autres objets étrangers.
- Dans le cas où le mécanisme de coupe heurterait des objets étrangers ou si le produit venait à émettre des sons ou des vibrations inhabituel(le)s, mettre le produit hors tension et attendre l'immobilisation totale des couteaux. Débranchez le produit de son alimentation électrique, et effectuez les opérations suivantes :
 - vérifiez les dommages éventuels
 - vérifiez l'absence d'éléments desserrés et resserrez-les au besoin
 - faites remplacer ou réparer toute pièce endommagée en utilisant des pièces détachées RYOBI d'origine.
- Ne laissez pas les matières broyées s'accumuler au niveau de la goulotte d'éjection, la bonne éjection des matières pourrait s'en trouver affectée et un retour des matières pourrait se produire par l'ouverture d'alimentation.
- Si le produit est obstrué, le mettre hors tension et attendre que les couteaux soient complètement immobilisés. Débranchez le produit de son alimentation électrique avant d'en dégager les débris.
- Ne jamais utiliser le produit si les

EN
FR
DE
ES
IT
NL
PT
DA
SV
FI
NO
RU
PL
CS
HU
RO
LV
LT
ET
HR
SL
SK
BG
UK
TR



protections, les couvercles, le bac de collecte ou autre dispositif de sécurité ne sont pas en place et en bon état de marche.

- Si le processus de broyage génère de la poussière, portez un masque anti-poussières adapté pour éviter toute atteinte respiratoire.
- Ne déplacez pas et ne transportez pas le produit lorsque son moteur tourne.
- Arrêtez le produit et débranchez-le du secteur. Assurez-vous que tous les éléments en mouvement se sont bien arrêtés:
 - avant de laisser le produit sans surveillance
 - avant de retirer une obstruction
 - avant de procéder à la vérification, au nettoyage ou à l'entretien du produit.
- N'inclinez pas le produit lorsque le moteur tourne.
- Ne jamais modifier de composants du produit, ni utiliser de pièces non conseillées par RYOBI. Ceci pourrait augmenter le risque de blessures graves, sur soi comme sur les autres.
- Assurez-vous que les ouvertures de ventilation sont toujours exemptes de débris ; dans le cas contraire, le moteur serait susceptible de surchauffer et d'endommager le produit ou d'augmenter le risque d'incendie.
- En cas d'accident ou de panne, arrêter immédiatement le produit et le déconnecter de l'alimentation. N'utilisez plus le produit jusqu'à ce qu'il ait été entièrement vérifié par un centre de service agréé.
- Mettre le produit hors tension avant d'accrocher ou de retirer le bac de collecte.

⚠ AVERTISSEMENT

L'utilisation prolongée d'un outil est susceptible de provoquer ou d'aggraver des blessures. Assurez-vous de faire des pauses de façon régulière lorsque vous utilisez tout outil de façon prolongée.

TRANSPORT ET STOCKAGE

- Assurez-vous que le produit a été soigneusement nettoyé avant de le ranger dans un endroit sec et propre, hors de

portée des enfants.

- Laissez le produit refroidir suffisamment avant de le ranger ou de le transporter.
- Pour le transport, attachez le produit pour l'empêcher de bouger ou de tomber, afin d'éviter toute blessure et tout dommage matériel.

ENTRETIEN

Avant de procéder au nettoyage, à l'inspection ou à l'entretien du produit, le mettre hors tension, attendre l'immobilisation totale des couteaux et déconnecter l'alimentation électrique. Le mécanisme de coupe devient très chaud après un certain temps de fonctionnement. Laissez-le refroidir suffisamment avant de le nettoyer, de le vérifier ou de le régler.

⚠ AVERTISSEMENT

Les lames de coupe sont extrêmement coupantes. Pour éviter toute blessure, faire preuve d'extrême prudence et procéder avec minutie lors du nettoyage ou d'une intervention à proximité des lames ou à l'intérieur du boîtier ouvert lorsque le bac de collecte est retiré. Portez toujours des gants de protection épais.

- Soyez conscient du fait que les éléments de coupe peuvent encore être mis en mouvement même si l'alimentation est coupée ou si l'interrupteur de verrouillage est enclenché.
- Pour assurer les meilleures performances au produit, il doit être gardé propre.
- Nettoyez toujours le produit immédiatement après utilisation. Chaque fois que possible, utilisez une brosse dure pour nettoyer les conduits d'introduction et de récupération et un chiffon sec pour l'extérieur du broyeur.
- Ne pas laisser le matériau sécher et durcir sur aucune surface des produits, tout particulièrement sur les lames. Ceci affecterait directement les performances de broyage.
- Assurez-vous que le conduit de récupération et que le conduit d'introduction restent propres et exempts de déchets.
- Assurez-vous que tous les écrous, boulons et vis (à l'exception de la vis de réglage) sont bien serrés.

- Faites toujours réparer les éléments usés ou endommagés, ou faites les remplacer par du personnel qualifié auprès d'un service après-vente Ryobi agréé.
- Ne jamais chercher à contourner les contacteurs de verrouillage de sécurité du bac de collecte, ni le capot avant du dispositif de coupe.

⚠ AVERTISSEMENT

Ne laissez jamais du liquide de frein, de l'essence, des produits pétroliers, des huiles pénétrantes, etc. entrer en contact avec les éléments en plastique. Ne le nettoyez jamais à l'aide de liquide de frein, de produits à base d'essence ou de solvants. La plupart des plastiques sont susceptibles d'être endommagés par un grand nombre de solvants du commerce.

- N'effectuez que les tâches décrites dans ce manuel. Pour toute autre réparation ou pour des conseils, contacter un centre d'entretien RYOBI agréé.

RÉGLAGE DU CONTRE-PLATEAU

- Le produit fonctionne de façon optimale si vous suivez ces étapes. Avant utilisation, vérifiez toujours que les lames ne sont pas en contact avec le contre-plateau. Pour des performances optimales, conservez 1 mm de jeu entre les lames et le contre-plateau.
- Si le produit ne parvient pas à broyer les matières, il est possible qu'il faille régler le contre-plateau ou affûter les lames.
- Les lames du produit doivent être réglé après un certain temps. Cette opération peut être effectuée en réglant le contre-plateau de façon qu'il vienne légèrement en contact avec les lames. Vérifier que le produit est sous tension et qu'il fonctionne en marche avant normale. Le réglage de la plaque de rabotage alors que le moteur est hors tension pourrait endommager sérieusement le produit.

REMARQUE: Le réglage du contre-plateau ne doit être effectué que lorsqu'il est jugé que cela est vraiment nécessaire. Un réglage trop fréquent de la plaque de rabotage ou un réglage trop éloigné pourrait de celle-ci pourrait provoquer l'arrêt du fonctionnement du produit.

- Tournez la molette de réglage dans le sens horaire pendant le fonctionnement du produit.
 - Une fois que vous entendez le contact métal contre métal ou que vous voyez de fins copeaux d'aluminium au fond du bac de collecte, arrêtez le réglage et laissez le produit fonctionner pendant 30 secondes afin d'affûter les lames. Une fois l'affûtage terminé, tournez la molette de réglage dans le sens anti-horaire jusqu'à ce qu'il ne soit plus en contact avec la plaque de rabotage, laissant ainsi un écart de 1 mm.
- REMARQUE:** L'affûtage des lames ne demande qu'un très léger contact avec le contre-plateau. Terminez tout réglage lentement pour éviter d'endommager le produit. Vous pourriez gravement endommager le produit en procédant à un réglage trop important du contre-plateau.

RISQUES RÉSIDUELS

Même lorsque le produit est utilisé selon les prescriptions, il reste impossible d'éliminer totalement certains facteurs de risque résiduels. Les dangers suivants risquent de se présenter en cours d'utilisation et l'utilisateur doit prêter particulièrement garde à ce qui suit:

- Blessures dues au bruit
 - Portez une protection auditive et limitez le temps d'exposition
- Blessures provoquées par l'inhalation de poussières et particules
 - Si nécessaire, porter un masque anti-poussière avec filtre.
- Blessures provoquées par l'entrée en contact avec les éléments de coupe
 - Gardez les parties non protégées du corps éloignées en permanence du mécanisme de coupe.

RÉDUCTION DES RISQUES

Il a été reporté que les vibrations engendrées par les outils tenus à la main peuvent contribuer à l'apparition d'un état appelé le syndrome de Raynaud chez certaines personnes. Les symptômes peuvent comprendre des fourmillements, un engourdissement et un blanchiment des doigts, généralement par temps froid. Des facteurs héréditaires, l'exposition au froid et à l'humidité, le régime



alimentaire, le tabagisme et les habitudes de travail peuvent contribuer au développement de ces symptômes. Certaines mesures peuvent être prises par l'utilisateur pour aider à réduire les effets des vibrations:

- Gardez votre corps au chaud par temps froid. Lorsque vous utilisez le produit, portez des gants afin de garder vos mains et vos poignets au chaud. Le temps froid est considéré comme un facteur contribuant très largement à l'apparition du Syndrome de Raynaud.
- Après chaque session de travail, pratiquez des exercices qui favorisent la circulation sanguine.
- Faites des pauses fréquentes. Limitez la quantité d'exposition journalière.

Si vous ressentez l'un des symptômes associés à ce syndrome, arrêtez immédiatement le travail et consultez votre médecin pour lui en faire part.

⚠ AVERTISSEMENT

L'utilisation prolongée d'un outil est susceptible de provoquer ou d'aggraver des blessures. Assurez-vous de faire des pauses de façon régulière lorsque vous utilisez tout outil de façon prolongée.

APPRENEZ À CONNAÎTRE VOTRE PRODUIT

Voir page 196.

1. Interrupteur de démarrage
2. Interrupteur d'arrêt
3. Interrupteur d'inversion
4. Bouton de réinitialisation du dispositif de protection contre les surcharges
5. Goulotte d'approvisionnement
6. Poignée
7. Molette de réglage du contre-plateau
8. Roue
9. Bac de collecte
10. Interrupteur de sécurité
11. Poussoir

REMARQUE: le fait de tirer sur l'interrupteur de sécurité une fois le bac de collecte inséré dans le produit a pour effet de l'activer.

GUIDE DE BROYAGE

Pour de meilleurs résultats de broyage, suivez les lignes directrices du tableau ci-dessous.

MATIÈRE	MÉTHODE BROYAGE	DE
Brindilles jusqu'à 6 mm de diamètre.	Introduisez les matières dans le conduit d'introduction à un rythme qui permet au broyeur de les accepter sans forcer.	
Branches jusqu'à 45 mm de diamètre.	Taillez toutes les pousses latérales à l'aide d'un sécateur avant de les introduire dans le conduit d'introduction.	
Plants, mauvaises herbes et jeunes arbustes.	Tapez les racines pour les débarrasser de la terre et des pierres, afin d'éviter d'endommager les lames.	
Bâtons et brindilles secs	En les introduisant à la fin de votre session de broyage, vous aiderez à éliminer l'humidité et l'accumulation de sève à l'intérieur du broyeur et sur les éléments de coupe.	

- Ne laissez pas les déchets du jardin s'accumuler avant de les broyer car ils pourraient se décomposer, devenir trop humides et boucher le système de coupe. Des matières sèches aideront à dégager la goulotte d'éjection. Gardez quelques bâtons secs pour aider à nettoyer le système de coupe en fin de travail.
- Vérifiez régulièrement l'accumulation/le remplissage des matières broyées.
- Le conduit de récupération doit être dégagé en permanence afin de prévenir les bourrages.
- Lorsque le bac de collecte est plein, mettre le produit à l'arrêt avant de le vider.



⚠ AVERTISSEMENT

Ne pas mettre les mains à l'intérieur de la goulotte de décharge de la déchiqueteuse de façon à dégager le matériau déchiqueté alors que le produit est sous tension ou raccordé à l'alimentation secteur. Les lames sont très affûtées. Portez des gants épais et soyez particulièrement prudent lors des opérations de nettoyage et de déblocage des bourrages.

⚠ AVERTISSEMENT

Lorsque vous introduisez de longues branches/tiges dans le produit, prenez garde aux vibrations et effets de fouet au moment où elles sont prises dans le système de coupe. L'opérateur doit porter une protection oculaire à chaque utilisation du produit.

⚠ AVERTISSEMENT

Le système de coupe a tendance à tirer les branches/tiges vers le produit. Ne tentez pas d'empêcher la pénétration des matières une fois que leur introduction a commencé. Portez toujours des gants afin d'éviter de vous écorcher les mains lorsque vous introduisez les matières dans le produit.

REMARQUE: lors de la préparation du produit à des fins d'utilisation, assurez-vous que le produit est sécurisé et qu'il ne risque pas de basculer (voir page 197, étapes 2 à 6).

REMARQUE: Dans le cadre d'une utilisation normale, ne pas mettre le produit hors tension tant que l'ensemble du matériau déchiqueté n'a pas quitté la goulotte. Un arrêt trop rapide du produit pourrait entraîner le blocage des résidus de matériau dans la lame et provoquer le calage du moteur lors de la remise sous tension du produit.

SYMBOLES APPLIQUES SUR LE PRODUIT



Lisez et comprenez toutes les instructions avant d'utiliser le produit, respectez tous les avertissements et toutes les instructions de sécurité.



Prenez garde à la projection d'objets au sol et dans les airs. Gardez tous les passants, en particulier les enfants et les animaux, éloignés d'au moins 15 m de distance de la zone de travail.

Danger - Lames en rotation. Éloignez les mains et les pieds des ouvertures du produit en fonctionnement.

Mette le produit hors tension et retirer la fiche de l'alimentation secteur avant de procéder à l'entretien ou en cas d'endommagement du cordon.

Portez une protection oculaire et auditive.

Ne pas utiliser comme marchepied.

Attendez que tous les éléments de la machine se soient complètement arrêtés avant de les toucher.

Portez des gants de protection solides et antidérapants.

Cet outil est conforme à l'ensemble des normes réglementaires du pays de l'UE où il a été acheté.

Marque de qualité EurAsian

Marque de conformité ukrainienne

Le niveau de puissance acoustique garanti indiqué sur cette étiquette est de 102 dB.

Classe II: La protection contre les décharges électriques repose sur une isolation double ou renforcée.



Les produits électriques hors d'usage ne doivent pas être jetés avec les ordures ménagères. Recyclez-les par l'intermédiaire des structures disponibles. Contactez les autorités locales ou votre distributeur pour vous renseigner sur les conditions de recyclage.



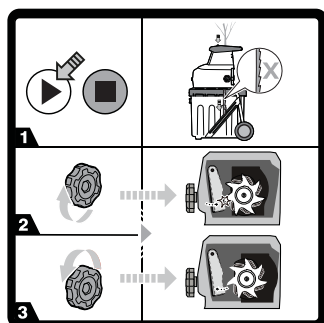
Démarrage



Arrêt



Arrière



Si le produit ne parvient pas à broyer les matières, il est possible qu'il faille régler le contre-plateau.

1. Mettez le produit en marche.
2. Tournez la molette de réglage de la plaque de rabotage dans le sens horaire, jusqu'à entendre un contact métal-métal ou voir des petits copeaux d'aluminium au bas du bac de collecte.
3. Au bout de 30 secondes, tournez la molette dans le sens antihoraire jusqu'à ce que la plaque de rabotage présente un écart de 1 mm par rapport aux lames.

SYMBOLES DE CE MANUEL



Branchez sur le secteur.



Débranchez du secteur.



Pièces détachées et accessoires vendus séparément



Remarque



AVERTISSEMENT



Verrouillage



Déverrouillage



Gardez vos mains à l'écart des lames.

Les symboles suivants, et les noms qui leur sont associés, permettent d'expliquer les différents niveaux de risques liés à l'utilisation de cet outil.

⚠ DANGER

Imminence d'un danger qui, si l'on n'y prend garde, peut entraîner la mort ou des blessures graves.

⚠ AVERTISSEMENT

Situation potentiellement dangereuse qui, si l'on n'y prend garde, peut entraîner la mort ou des blessures graves.

⚠ ATTENTION

Situation potentiellement dangereuse qui, si l'on n'y prend garde, peut entraîner des blessures moyennes ou légères.

ATTENTION

Sans symbole d'alerte de sécurité
Indique une situation pouvant entraîner des dommages matériels.

GUIDE DE DÉPANNAGE

PROBLÈME	CAUSE	ACTION
Le moteur ne fonctionne pas.	Le dispositif de protection contre les surcharges s'est déclenché.	Attendez que le moteur ait refroidi et appuyez sur le bouton de réinitialisation du dispositif de protection contre les surcharges. Remettez le produit en marche.
	Alimentation défectueuse	Vérifier le câble d'alimentation, la fiche et le fusible de la maison.
	Le bac de collecte n'est pas inséré dans le produit et/ou l'interrupteur de sécurité n'est pas activé.	Insérez le bac de collecte, puis tirez l'interrupteur de sécurité pour l'activer.
Les matières à broyer ne sont pas aspirées.	Le matériau est bloqué dans la goulotte d'approvisionnement.	Suivez les instructions présentes dans ce manuel pour dégager le bourrage.
	Le contre-plateau est trop éloigné des éléments de coupe.	Suivez les instructions présentes dans ce manuel pour procéder au réglage du contre-plateau.

Sicherheit, Leistung und Zuverlässigkeit hatten oberste Priorität bei der Entwicklung Ihres elektrischen Leisehäckslers.

BESTIMMUNGSGEMÄSSE VERWENDUNG

Der elektrische geräuscharme Schredder ist für den Gebrauch im Freien in Standstellung durch einen Nutzer, der auf dem Boden steht, vorgesehen.

Das Produkt wurde entwickelt, um organische Gartenabfälle wie Zweige, Äste und Laubwerk zu zerkleinern.

Das Produkt ist nicht für anorganisches Material, Metall oder Material dicker als die maximale Schnittleistung von 45 mm geeignet.

Das Produkt muss auf dem mitgelieferten Ständer befestigt und mit dem mitgelieferten Sammelbehälter verwendet werden. Es darf nicht auf andere Weise als in dieser Bedienungsanleitung gezeigt montiert werden.

Es darf zu keinen anderen Zwecken verwendet werden.

ALLGEMEINE SICHERHEITSREGELN

⚠️ WARNUNG

Dieses Produkt ist nicht für Kinder oder Personen mit verminderten physischen, geistigen oder sensorischen Fähigkeiten geeignet. Kleine Kinder sollten immer von einer Person die nicht der Benutzer ist beaufsichtigt sein, um sicherzustellen, dass sie nicht in der Nähe oder mit dem Produkt spielen.

⚠️ WARNUNG

Bei der Verwendung des Produktes sollten immer einige grundlegenden Sicherheitsvorkehrungen getroffen werden, um die Gefahr von Feuer, Stromschlag und Verletzungen zu verringern. Lesen Sie diese Sicherheitshinweise aufmerksam durch, bevor Sie das Produkt in Betrieb nehmen. Stellen Sie sicher, dass Sie mit der Steuerung und der ordnungsgemäßen und sicheren Benutzung dieses Produktes vertraut sind. Bitte bewahren Sie die Anweisungen zum späteren Nachschlagen auf.

Unterweisung

- Machen Sie sich mit der Betriebsanleitung vertraut, ehe Sie versuchen, das Produkt zu verwenden.
- Erlauben Sie niemals Kindern oder Personen, die mit diesen Anweisungen nicht vertraut sind, das Produkt zu benutzen. Die lokale Gesetzgebung regelt das Mindestalter des Benutzers.
- Der Betreiber oder Nutzer des Produkts trägt die Verantwortung für alle Unfälle oder Schäden, die andere Personen oder deren Eigentum betreffen.

VORBEREITUNG

- Verwenden Sie das Produkt nie in der Nähe von Passanten, insbesondere nicht von Kindern oder Haustieren.
- Verwenden Sie das Produkt niemals bei schlechten Witterungsverhältnissen oder wenn die Gefahr eines Blitzschlags besteht.
- Tragen Sie beim Betrieb dieser Maschine immer Gehörschutz und Sicherheitsbrille.
- Tragen Sie beim Betrieb des Produkts stets festes (rutschfestes) Schuhwerk und lange Hosen. Vermeiden Sie locker sitzende Kleidung oder Kleidung mit Schnüren oder Bändern zu tragen. Arbeiten Sie mit der Maschine niemals Barfuß oder mit offenen Sandalen.
- Betreiben Sie das Produkt nur in einem offenen Umfeld (d.h. nicht in der Nähe von Wänden oder festen Gegenständen) und auf festem, ebenem Untergrund.
- Betreiben Sie diese Maschine nicht auf gepflastertem Untergrund oder Schotter, wo ausgeworfenes Material zu Verletzungen führen könnte.
- Prüfen Sie vor der Inbetriebnahme, ob alle Schrauben, Muttern, Bolzen und andere Verschlüsse ordnungsgemäß gesichert und Schutzvorrichtungen und Sammelbehälter angebracht sind. Zu einem autorisierten Kundendienst zurückbringen, um beschädigte oder unleserliche Aufkleber zu ersetzen.
- Prüfen Sie vor der Benutzung Netz- und Verlängerungskabel auf Anzeichen von Beschädigung und Alterung. Trennen Sie das Kabel unverzüglich von der Stromversorgung, falls es während des

Gebrauchs beschädigt werden sollte. Berühren Sie das Kabel nicht, bevor Sie die Stromzufuhr getrennt haben. Verwenden Sie die Maschine nicht, falls das Kabel beschädigt oder abgenutzt ist.

ELEKTRISCHE SICHERHEIT

- Lesen Sie diese Sicherheitshinweise sorgfältig durch, bevor Sie das Produkt an die Stromversorgung anschließen.
- Vergewissern Sie sich vor dem Einschalten, dass die Spannung Ihrer Stromversorgung der auf dem Typenschild angegebenen entspricht. Der Hersteller empfiehlt den Anschluss an eine Steckdose, die mit einem RCD (Schutzschalter) mit einem Auslösestrom von maximal 30 mA gesichert ist.
- Falls es an irgendeine andere Stromquelle angeschlossen werden sollte, kann dies das Gerät beschädigen.
- Falls das Stromkabel beschädigt sein sollte, muss es zur Vermeidung einer Gefährdung durch den Hersteller, dessen Kundendienst oder ähnlich qualifizierten Personen ausgetauscht werden.
- Wenn Sie ein Verlängerungskabel benutzen müssen, stellen Sie sicher, dass es für den Einsatz im Freien geeignet ist und ausreichend für die Strombelastung Ihres Werkzeugs ist. Das Verlängerungskabel sollte entweder mit "H05 RN F" oder "H05 VV F" gekennzeichnet sein. Überprüfen Sie es vor jeder Benutzung auf Schäden, wickeln Sie es während der Benutzung ab, weil aufgerollte Kabel überhitzen können. Beschädigte Verlängerungskabel sollten nicht repariert werden, sie sollten durch einem gleichwertigen Typ ersetzt werden.
- Achten Sie darauf, Verlängerungskabel von den gefährlichen beweglichen Teilen fernzuhalten, um Schäden am Kabel zu vermeiden, die zum Kontakt mit stromführenden Teilen führen können.

SICHERHEITSWARNUNGEN ZUM SCHREDDER

MONTAGE

- Während Sie das Produkt für die Verwendung vorbereiten, achten Sie darauf, dass es so gesichert ist, dass es nicht umfallen kann. *Siehe Seite 197.*

BETRIEB

- Überprüfen Sie vor dem Starten der Maschine, dass die Zuführkammer leer ist.
- Halten sie Ihr Gesicht und Körper fern von der Zuführöffnung.
- Halten Sie nicht Ihre Hände oder andere Körperteile oder Kleidung in die Zuführkammer, den Auswurfschacht oder in die Nähe anderer sich bewegender Teile.
- Achten Sie immer auf sicheren Stand. Sorgen Sie für einen sicheren Stand und halten Sie jederzeit das Gleichgewicht. Vermeiden Sie eine abnormale Körperhaltung. Never stand at a higher level than the base of the product when feeding material into it. Lassen Sie Vorsicht walten, wenn Sie das Produkt am Hang verwenden. Gehen Sie immer, laufen Sie nie.
- Halten Sie sich beim Betrieb des Produkts stets abseits des Auswurfbereichs auf.
- Achten Sie beim Zuführen von Material in die Maschine besonders darauf, dass sich darin keine Metallteile, Steine, Flaschen, Dosen oder andere Fremdkörper befinden.
- Wenn die Schneidevorrichtung fremde Gegenstände erfasst oder das Produkt anfängt, ungewöhnliche Geräusche oder Vibrationen zu produzieren, schalten Sie das Produkt aus und lassen Sie die Klingen vollständig zum Stillstand kommen. Trennen Sie das Produkt von der Stromversorgung und führen folgende Schritte aus:
 - überprüfen Sie das Produkt auf Schäden
 - zu überprüfen, ob Teile locker sind und sie festzuziehen, wenn erforderlich
 - Lassen Sie beschädigte Teile mit original RYOBI Ersatzteilen ersetzen oder reparieren.
- Lassen Sie verarbeitetes Material sich nicht in dem Auswurftrichter ansammeln; das kann den ordentlichen Auswurf behindern oder blockieren und zum Rückschlag von Material durch die Zuführöffnung führen.
- Wenn das Produkt verstopft, schalten Sie es aus und lassen Sie die Klingen vollständig zum Stillstand kommen. Trennen Sie das Produkt von der Stromversorgung, bevor Sie Schmutz entfernen.
- Verwenden Sie das Produkt nicht, wenn Schutzvorrichtungen, Abdeckungen,

Sammelbehälter oder andere Sicherheitsvorrichtungen defekt sind, fehlen oder nicht voll funktionsfähig sind.

- Wenn Staub durch den Häckselvorgang entsteht, tragen Sie eine geeignete Staubmaske, um Verletzungen der Atemwege zu verhindern.
- Bewegen oder transportieren Sie das Produkt nicht während der Motor in Betrieb ist.
- Schalten Sie das Produkt aus und trennen es von der Stromversorgung. Stellen Sie sicher, dass alle bewegenden Teile vollständig angehalten sind:
 - bevor Sie das Produkt unbeaufsichtigt zurücklassen
 - bevor Sie eine Blockierung entfernen
 - vor dem Überprüfen, Reinigen oder Warten des Produkts.
- Kippen Sie die Maschine nicht während der Motor läuft.
- Nehmen Sie keinerlei Veränderungen an Teilen des Produkts vor und verwenden Sie nur von RYOBI empfohlene Teile, da Sie damit das Risiko von schweren Verletzungen für sich selbst und andere Personen erhöhen können.
- Stellen Sie immer sicher, dass die Belüftungsöffnungen frei von Ablagerungen gehalten werden; sonst kann der Motor überhitzen und zu möglichen Schäden an dem Produkt führen oder die Feuergefahr erhöhen.
- Im Fall eines Unfalls oder einer Störung schalten Sie das Produkt sofort aus und trennen Sie es von der Stromversorgung. Das Produkt darf nicht wieder in Betrieb genommen werden, bis es vollständig von einem autorisierten Kundendienst überprüft wurde.
- Schalten Sie das Produkt aus, ehe Sie den Sammelbehälter anbringen oder entfernen.

⚠ WARNUNG

Verletzungen können durch lange Benutzung eines Werkzeugs entstehen oder verschlimmert werden. Machen Sie regelmäßig Pause, wenn Sie ein Werkzeug für lange Zeit benutzen.

TRANSPORT UND LAGERUNG

- Stellen Sie sicher, dass das Produkt gründlich gereinigt wurde, bevor Sie es an einem sauberen, trockenen Ort außer Reichweite von Kindern aufbewahren.
- Lassen Sie das Produkt ausreichend abkühlen, bevor Sie es lagern oder transportieren.
- Sichern Sie das Produkt beim Transport in einem Fahrzeug gegen Bewegung oder Herunterfallen, um Verletzungen an Personen und Beschädigung des Produkts zu verhindern.

WARTUNG UND PFLEGE

Schalten Sie das Produkt vor jeglicher Reinigung, Überprüfung oder Wartung aus, lassen Sie die Schneidmesser vollständig zum Stillstand kommen und trennen Sie es von der Stromversorgung. Nach einiger Zeit häckseln werden die Schneidwerkzeuge heiß. Lassen Sie es ausreichend abkühlen, bevor Sie es reinigen, überprüfen oder einstellen.

⚠ WARNUNG

Die Messer sind extrem scharf. Lassen Sie extreme Vorsicht walten, wenn Sie die Klingen reinigen oder in ihrer Nähe bzw. bei entferntem Sammelbehälter innerhalb der geöffneten Abdeckung arbeiten, um Verletzungen vorzubeugen. Tragen Sie immer feste Schutzhandschuhe.

- Beachten Sie, dass das Schneidwerkzeug sich immer noch bewegen kann, sogar wenn die Stromversorgung ausgeschaltet ist und der Sicherheitsschalter eingeschaltet ist.
- Um die beste Leistung des Produktes zu gewährleisten, muss es sauber gehalten werden.
- Reinigen Sie das Produkt immer direkt nach der Benutzung. Wann immer möglich, benutzen Sie eine kräftige Bürste in den Zufuhr- und Auswurföffnungen und einen trockenen Lappen an der Außenseite des Produktes.
- Achten Sie darauf, dass kein Material auf den Flächen des Produkts trocknen und aushärten kann, insbesondere auf den Klingen. Das beeinflusst die Häckselleistung direkt.



EN
FR
DE
ES
IT
NL
PT
DA
SV
FI
NO
RU
PL
CS
HU
RO
LV
LT
ET
HR
SL
SK
BG
UK
TR

- Stellen Sie sicher, dass der Einfülltrichter und der Auswurfschacht sauber und frei von Abfall gehalten werden.
- Stellen Sie sicher, dass alle Muttern, Bolzen und Schrauben (außer der Einstellschraube) fest und sicher sitzen.
- Lassen Sie beschädigte oder abgenutzte Teile immer von qualifiziertem Personal im Ryobi Kundendienst reparieren oder ersetzen.
- Versuchen Sie keinesfalls, die Verriegelungsschalter am Sammelbehälter oder an der Frontabdeckung des Schneidwerks zu umgehen.

⚠ WARNUNG

Lassen Sie niemals Bremsflüssigkeiten, Benzine, Produkte auf Erdölbasis, Rostlöser usw. mit den Plastikteilen in Kontakt geraten. Verwenden Sie nie Bremsflüssigkeit, Benzin, Produkte auf Erdölbasis oder Lösungsmittel um das Werkzeug zu reinigen. Die meisten Plastikteile können durch den Gebrauch der handelsüblichen Solventien beschädigt werden, was sich auch auf ihre Leistung auswirken kann.

- Sie dürfen die in dieser Bedienungsanleitung beschriebenen Wartungsarbeiten durchführen. Wenden Sie sich wegen weiterer Reparaturen oder Ratschläge an ein zugelassenes RYOBI-Servicezentrum.

EINSTELLUNG DES HÄCKSELMESSERS

- Das Produkt ist am leistungsfähigsten, wenn Sie diese Schritte befolgen. Überprüfen Sie vor der Benutzung immer, dass die Klingen nicht in Kontakt mit der Andruckplatte sind. Lassen Sie für optimale Leistung einen Spalt von 1 mm zwischen Klingen und Andruckplatte.
- Wenn das Produkt kein Material häckseln muss, die Andruckplatte vielleicht eingestellt werden oder die Klingen geschärft werden.
- Mit der Zeit müssen die Klingen an dem Produkt eingestellt werden. Das kann durchgeführt werden, indem die Andruckplatte eingestellt wird, so dass sie die Klingen leicht berührt. Achten Sie darauf, dass das Produkt eingeschaltet ist und im normalen Vorwärtsbetrieb läuft. Ein Einstellen der Hobelplatte bei ausgeschaltetem Motor kann schwere

Schäden am Produkt nach sich ziehen.

HINWEIS: Die Häckselplatte sollte nur eingestellt werden, wenn es unbedingt notwendig ist. Bei einer zu häufigen oder zu weiten Einstellung der Hobelplatte kann das Produkt betriebsunfähig werden.

- Drehen Sie den Einstellknopf im Uhrzeigersinn, während das Produkt sich in Betrieb befindet.
 - Beenden Sie den Einstellvorgang wenn Sie Metall auf Metall laufen hören oder wenn Sie feine Aluminiumspäne auf dem Boden des Sammelbehälters sehen. Lassen Sie nun das Gerät für 30 Sekunden laufen um das Messer zu schärfen. Wenn der Schärfvorgang beendet ist, drehen Sie den Einstellknopf gegen den Uhrzeigersinn bis die Andruckplatte das Messer nicht mehr berührt und ein Spalt von 1 mm verbleibt.
- HINWEIS:** Das Schärfen der Klingen erfordert sehr leichten Kontakt mit der Andruckplatte. Führen Sie jede Einstellung langsam durch, um Beschädigung des Produktes zu vermeiden. Zu starke Einstellung der Andruckplatte kann zu schweren Schäden des Produktes führen.

RESTRISIKEN

Sogar wenn das Produkt wie vorgeschrieben benutzt wird, ist es unmöglich ein gewisses Restrisiko vollständig zu beseitigen. Die folgenden Gefahren können bei der Benutzung entstehen, und der Benutzer sollte besonders auf folgende Punkte achten:

- Lärm kann zu Gehörschaden führen.
 - Tragen Sie einen Gehörschutz und schränken Sie die Belastung ein.
- Verletzungen durch Inhalation von Staub und Teilchen
 - Tragen Sie ggf. eine Staubmaske mit Filter.
- Durch Kontakt mit dem Schneidwerkzeug verursachte Verletzung
 - Halten Sie ungeschützte Körperteile immer von dem Schneidmechanismus fern.

RISIKOVERRINGERUNG

Vibrationen von in der Hand gehaltenen Werkzeugen können bei einigen Personen zu einem Zustand, der Raynaud-Syndrom



genannt wird, führen. Symptome sind u.a. Kribbeln, Taubheitsgefühl und episodische Weißfärbung der Finger und treten normalerweise bei Kälte auf. Man geht davon aus, dass ererbte Faktoren, Kälte und Feuchtigkeit, Essgewohnheiten, Rauchen und Arbeitsweise zur Entwicklung dieser Symptome beitragen. Der Anwender kann Maßnahmen ergreifen, um die Auswirkungen der Vibrationen möglicherweise zu verringern:

- Halten Sie den Körper bei Kälte warm. Tragen Sie beim Betrieb des Produkts Handschuhe, um Hände und Handgelenke warm zu halten. Berichten zu Folge ist kaltes Wetter ein wesentlicher Faktor, der zum Raynaud Syndrom beiträgt.
- Betätigen Sie sich nach jedem Einsatz körperlich, um den Blutkreislauf zu steigern.
- Machen Sie regelmäßig Pausen. Beschränken Sie die Beanspruchung pro Tag.

Sollten bei Ihnen Symptome dieses Zustands auftreten, stellen Sie unverzüglich den Betrieb ein und suchen Sie in Hinsicht auf die Symptome einen Arzt auf.

⚠️ WARNUNG

Verletzungen können durch lange Benutzung eines Werkzeugs entstehen oder verschlimmert werden. Machen Sie regelmäßig Pause, wenn Sie ein Werkzeug für lange Zeit benutzen.

MACHEN SIE SICH MIT IHREM PRODUKT VERTRAUT

Siehe Seite 196.

1. Ein-Schalter
2. Aus-Schalter
3. Umkehr-Schalter
4. Reset-Schalter für Überlastungsschutz
5. Einfülltrichter
6. Griff
7. Einstellknopf der Andruckplatte
8. Rad
9. Sammelbehälter
10. Sicherheitsschalter
11. Stößel

HINWEIS: Aktivieren Sie den Sicherheitsschalter, indem Sie ihn nach oben ziehen, nachdem der Sammelbehälter in das

Produkt eingeführt wurde.

HÄCKSELFÜHRUNG

Für beste Ergebnisse beim Häckseln, befolgen Sie die Richtlinien in der Tabelle unten.

MATERIAL	HÄCKSELMETHODE
Zweige bis zu 6 mm Durchmesser.	Führen Sie Material in den Trichter so schnell wie es der Häcksler ohne Überlastung verarbeiten kann.
Äste bis zu 45 mm Durchmesser.	Schneiden Sie alle Seitentriebe mit einer Gartenschere ab, bevor Sie den Trichter befüllen.
Beetpflanzen, Unkraut und Gebüsch	Klopfen sie Erde und Steine von den Wurzeln, um Schäden der Klingen zu vermeiden.
Trockene Äste oder Zweige	Wenn Sie diese am Ende Ihrer Häckselarbeit hineinschieben, hilft das den Innenbereich und die Schneidvorrichtung des Produktes von Feuchtigkeit und Pflanzensaft zu reinigen.

- Lassen Sie Gartenabfälle sich nicht vor dem Häckseln ansammeln, weil sie anfangen werden zu kompostieren, zu feucht werden und das Schneideinheit verstopfen werden. Trockenes Material wird helfen das meiste Material aus den Auswurftrichter zu entfernen. Heben Sie einige trockene Äste bis zum Schluss auf, um den Bereich der Klingen zu reinigen.
- Kontrollieren Sie öfters den Aufbau/die Ansammlung von gehäckseltem Material.
- Der Auswurftrichter muss immer frei sein, um Blockierungen zu verhindern.
- Wenn der Sammelbehälter voll ist, schalten Sie das Produkt vor dem Leeren aus.

⚠️ WARNUNG

Greifen Sie nicht in die Ausgaberinne des Schredders, um geschreddertes Material zu entfernen, während das Produkt läuft oder mit der Stromversorgung verbunden ist. Die Schneidwerkzeuge sind scharf. Tragen Sie schwere Schutzhandschuhe und seien Sie extrem vorsichtig, wenn Sie Blockaden entfernen und reinigen.



Achten Sie auf geschleuderte oder fliegende Objekte. Halten Sie unbeteiligte Personen (insbesondere Kinder und Tiere) mindestens 15m vom Arbeitsbereich fern.

⚠️ WARNUNG

Wenn Sie lange holzige Äste/Stämme in das Produkt zuführen, achten Sie auf Peitschenschläge und Vibrationen, während sie von dem Häcksel eingezogen werden. Der Benutzer muss einen Augenschutz tragen, wenn er das Produkt benutzt.



Gefahr - Rotierende Messer. Halten Sie Hände und Füße von den Öffnungen fern während das Produkt in Betrieb ist.

⚠️ WARNUNG

Das Schneidwerkzeug neigt dazu Äste/Stämme in das Produkt zu ziehen. Versuchen Sie nicht die Aufnahme von Material zu behindern nachdem die Zufuhr begonnen hat. Tragen Sie immer Handschuhe, um beim Einschieben von Material in das Produkt Hautverletzungen zu verhindern.



Schalten Sie das Gerät aus und trennen Sie es von der Stromversorgung, ehe Sie Wartungs- und Reparaturarbeiten durchführen oder wenn das Kabel beschädigt wurde.



Tragen Sie Augen- und Gehörschutz.



Nicht als Trittleiter benutzen.



Warten Sie, bis alle Maschinenteile vollständig gestoppt sind, bevor Sie sie betühren.



Tragen Sie rutschfeste, schwere Schutzhandschuhe.

HINWEIS: Während Sie das Produkt für die Verwendung vorbereiten, achten Sie darauf, dass es so gesichert ist, dass es nicht umfallen kann (siehe Seite 197, Schritte 2 bis 6).

HINWEIS: Schalten Sie das Produkt im normalen Betrieb nicht aus, bis das geschrederte Material das Schneidwerk komplett verlassen hat. Wird das Produkt vorzeitig ausgeschaltet, können verbleibende Teile des Materials das Schneidwerk blockieren und den Motor beim erneuten Einschalten zum Stillstand bringen.



Dieses Gerät entspricht allen gesetzlichen Normen des Landes der Europäischen Union, in dem es gekauft wurde.



EurAsian Konformitätszeichen



Ukrainisches Prüfzeichen

SYMBOLE AUF DEM PRODUKT



Lesen und verstehen Sie alle Anweisungen, bevor Sie das Produkt benutzen, befolgen Sie alle Warnungen und Sicherheitsanweisungen.



Der garantierte Schallleistungspegel beträgt 102 dB(A).



Klasse II: Schutz gegen Stromschläge wird durch Doppelisolierung bzw. verstärkter Isolierung gewährt.



Elektrische Geräte sollten nicht mit dem übrigen Müll entsorgt werden. Bitte entsorgen Sie diese an den entsprechenden Entsorgungsstellen. Wenden Sie sich an die örtliche Behörde oder Ihren Händler, um Auskunft über die Entsorgung zu erhalten.



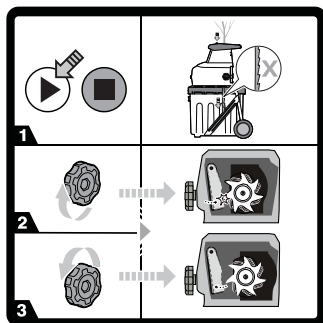
Start



Stopp



Rückwärts



Wenn das Produkt das Material nicht zerkleinert, muss die Andruckplatte ggfs. eingestellt werden.

1. Schalten Sie das Produkt an.
2. Drehen Sie den Einstellknopf für die Andruckplatte im Uhrzeigersinn, bis Sie den Kontakt von Metall auf Metall hören oder feine Aluminiumspäne am Boden des Sammelbehälters sehen.
3. Nach 30 Sekunden drehen Sie den Einstellknopf entgegen dem Uhrzeigersinn, bis die Andruckplatte einen Abstand von 1 mm zum Messer aufweist.

SYMBOLE IN DIESER BEDIENUNGSANLEITUNG



Anschließen an das Stromnetz



Trennen vom Stromnetz



Teile oder Zubehör getrennt erhältlich



HINWEIS



WARNUNG



Schließen



Öffnen



Halten Sie die Hände von den Messern fern!

Mit den folgenden Symbolen wird die Bedeutung der verschiedenen Risikostufen, die mit dem Produkt einhergehen, dargestellt.

⚠️ GEFAHR

Weist auf eine unmittelbare gefährliche Situation hin, die, falls nicht vermieden, zu Tod oder ernsthafter Verletzung führen kann.

⚠️ WARNUNG

Weist auf eine mögliche gefährliche Situation hin, die, falls nicht vermieden, zu Tod oder ernsthafter Verletzung führen kann.

⚠️ VORSICHT

Weist auf eine mögliche gefährliche Situation hin, die, falls nicht vermieden, zu einer leichten oder mittleren Verletzung führen kann.

VORSICHT

Ohne Sicherheitswarnsymbol
Bezeichnet eine Situation die zu Sachbeschädigungen führen kann.

FEHLERBEHEBUNG

PROBLEM	GRUND	AKTION
Motor läuft nicht.	Der Überlastungsschutz wurde aktiviert.	Warten Sie, bis der Motor sich abgekühlt hat und betätigen Sie die Reset-Taste für den Überlastungsschutz. Schalten Sie das Produkt wieder ein.
	Stromausfall	Überprüfen Sie Stromkabel, Stecker und Haussicherung.
	Der Sammelbehälter ist nicht in das Produkt eingesetzt und/oder der Sicherungsschalter wurde nicht aktiviert.	Setzen Sie den Sammelbehälter ein und Ziehen nach oben Sie den Sicherheitsschalter, um diesen zu aktivieren.
Das zu häckselnde Material wird nicht eingezogen.	Das Material hat sich im Einfülltrichter verklemmt.	Befolgen Sie die Anweisungen zum Entfernen von Blockierungen in der Bedienungsanleitung.
	Die Andruckplatte ist zu weit von dem Schneidwerkzeug entfernt.	Befolgen Sie die Anweisungen in der Bedienungsanleitung zur Einstellung der Andruckplatte

En el diseño de su trituradora silenciosa eléctrica, se ha dado la máxima prioridad a la seguridad, el rendimiento y la fiabilidad.

USO PREVISTO

La silenciosa trituradora eléctrica se utilizará en espacios exteriores, en una posición fija y accionada por un usuario situado de pie sobre el suelo.

Este producto está diseñado para reducir los residuos orgánicos de los jardines, como ramas, ramitas y hojas.

El producto no es apto para material no orgánico, metales u otros materiales que superen la capacidad de corte máxima de 45 mm de diámetro.

El producto debe montarse sobre el soporte proporcionado y debe usarse con el cubo de recogida suministrado. El aparato no debe de ser montado de otro modo sino lo enseñado en este manual.

No la use para ninguna otra finalidad.

NORMAS GENERALES DE SEGURIDAD

⚠ ADVERTENCIA

Este producto no debe ser utilizado por niños o personas con discapacidad física, mental o sensorial. Asegúrese de que los niños se encuentran vigilados en todo momento, por otra persona que no el operador de la máquina, y que no jueguen cerca de la máquina.

⚠ ADVERTENCIA

Al utilizar el aparato debe adoptar medidas básicas de seguridad para reducir el riesgo de incendio, choque eléctrico y lesiones. Antes de manipular este producto, lea atentamente las instrucciones de seguridad. Asegure que conoce los controles y sabe cómo operar el aparato en seguridad. Guarde las instrucciones para usarlas en el futuro.

APRENDIZAJE

- Familiarícese con la guía del usuario antes de intentar utilizar el producto.
- Nunca permita que niños o personas no familiarizadas con las instrucciones utilicen este producto. Las regulaciones locales

pueden restringir la edad del operario.

- El usuario del producto es responsable de los accidentes o los peligros que puedan producirse para otras personas o sus propiedades.

PREPARACIÓN

- No use nunca el producto en presencia de transeúntes, especialmente niños o mascotas.
- No use nunca el producto en condiciones meteorológicas adversas o si hay riesgo de rayos.
- Use protección auditiva y gafas de seguridad en todo momento durante el uso de la máquina.
- Lleve siempre calzado resistente (no deslizante) y pantalones largos para utilizar el producto. Evite usar ropa suelta o de la que cuelguen cordones o lazos. No use el producto si lleva sandalias o si va descalzo.
- Use el producto solamente en espacios abiertos (p. ej., no lo haga cerca de una pared ni un objeto fijo) y en una superficie firme y nivelada.
- No haga funcionar la máquina en una superficie pavimentada o con grava donde el material eyectado pueda causar lesiones.
- Antes de comenzar a usar el producto, compruebe que todos los tornillos, tuercas, pernos y otros elementos de fijación estén debidamente asegurados y que las protecciones y el cubo de recogida estén en su lugar. Lleve el aparato a un centro de asistencia autorizado para sustituir las etiquetas dañadas o ilegibles.
- Antes de utilizarla, compruebe que los cables de suministro y de extensión no estén dañados o gastados. Si el cable resulta dañado durante el uso, desconecte el cable de la fuente de alimentación de inmediato. No toque el cable antes de desconectar la corriente. No utilice la máquina si el cable está dañado o gastado.

SEGURIDAD ELÉCTRICA

- Lea estas instrucciones de seguridad con atención antes de conectar el producto a la alimentación eléctrica.
- Antes del encendido, asegúrese de que el



voltaje de su suministro de electricidad sea el mismo que el indicado en la placa de características. El fabricante recomienda que conecte el aparato a una toma de corriente protegida por un interruptor diferencial con una corriente de disparo no superior a 30 mA.

- La conexión del aparato a cualquier otra fuente de alimentación puede originar daños.
- Si el cable de alimentación está dañado, deberá ser reemplazado por el fabricante, su agente de servicio o por personal cualificado con el fin de evitar situaciones de peligro.
- Si necesita utilizar un cable de prolongación asegúrese de que es adecuado para usarlo en el exterior y de que tiene una capacidad de corriente suficiente para su herramienta. El cable de prolongación deberá llevar la marca "H05 RN-F" o "H05 VV-F". Antes de cada utilización inspeccione el aparato para comprobar la existencia de daños; desenrolle siempre el cable durante la utilización porque los cables enrollados pueden sobrecalentarse. Los alargadores no deben repararse, deben sustituirse por otros que sean equivalentes.
- Mantenga los cables de extensión alejados de piezas móviles peligrosas, para evitar daños en los cables, lo que podría provocar el contacto con piezas en funcionamiento.

ADVERTENCIAS DE SEGURIDAD DE LA TRITURADORA

MONTAJE

- Cuando instale el producto, asegúrese de que esté fijado para que no vuelque. Véase la página 197.

UTILIZACIÓN

- Antes de arrancar la máquina, compruebe la cámara de alimentación para asegurarse de que está vacía.
- Mantenga su rostro y cuerpo lejos de la apertura de alimentación.
- No permita que las manos o cualquier otra parte del cuerpo o la ropa acceda al interior de la cámara de alimentación, tubo de descarga, o esté cerca de cualquier parte móvil.

- Asegúrese siempre de que está en equilibrio, en una superficie estable. Afírmese bien en sus piernas y no extienda demasiado el brazo. No se extienda demasiado. No se pare en un nivel superior a la base de la máquina cuando esté introduciendo material en ella. Extreme las precauciones cuando utilice el producto sobre superficies en pendiente. Camine, nunca corra.
- Manténgase siempre alejado de la zona de descarga cuando use el producto.
- Cuando esté alimentando la máquina con material, tenga especial cuidado en no incluir piezas de metal, piedras, botellas, latas u otros objetos extraños.
- Si el mecanismo de corte golpea cualquier objeto extraño, o si el producto empieza a realizar ruidos poco habituales o a vibrar, apague el producto y deje que las cuchillas se detengan por completo. Desconecte el aparato de la alimentación eléctrica y siga los pasos que se siguen:
 - inspeccionar los daños;
 - revise y apriete las piezas sueltas;
 - Las piezas dañadas deben repararse o sustituirse por piezas originales RYOBI
- No permita la acumulación de material procesado en el mango de descarga, ya que eso puede impedir una descarga adecuada e provocar un resalto en el material a través de la apertura de admisión.
- Si el producto se atasca, apáguelo y deje que las cuchillas se detengan por completo. Desconecte el aparato de la alimentación eléctrica antes de limpiar los residuos.
- No use nunca el producto si las protecciones, cubiertas, cubo de recogida u otros dispositivos de seguridad están defectuosos, no están bien colocados o no presentan un buen estado de funcionamiento.
- Si el proceso de corte origina polvo, utilice una máscara adecuada para evitar problemas respiratorios.
- No mueva o transporte el producto mientras el motor esté en marcha.
- Apague el producto y desconéctelo de la fuente de alimentación. Asegúrese de que todas las partes móviles se han detenido por completo:





- antes de dejar el producto sin vigilancia
- antes de limpiar una obstrucción
- Antes de la comprobación, limpieza o mantenimiento del producto.
- No incline el aparato con o motor en marcha.
- No modifique nunca piezas del producto ni use componentes no recomendados por RYOBI, ya que puede aumentar el riesgo de lesiones graves para usted u otras personas.
- Asegure siempre que las aperturas de ventilación no están bloqueadas por residuos; si lo están, el motor puede sobrecalentarse y dañar el aparato o aumentar el riesgo de incendio.
- Apague inmediatamente el producto y desenchúfelo en caso de accidente o avería. No vuelva a utilizar el producto hasta que un servicio de mantenimiento autorizado lo haya inspeccionado completamente.
- Apague el producto antes de colocar o retirar el cubo de recogida.

⚠ ADVERTENCIA

Las cuchillas son muy afiladas. Para evitar lesiones, extrema las precauciones y el cuidado cuando limpie o trabaje cerca de las cuchillas o en el interior de la caja abierta cuando se haya retirado el cubo de recogida. Use siempre guantes de protección.

- Atención a los medios de corte que pueden moverse con la electricidad apagada o si el interruptor de interbloqueo está activo.
- Para garantizar el mejor desempeño del producto, este debe de estar siempre limpio.
- Limpie siempre el producto inmediatamente tras su utilización. Siempre que sea posible, utilice un cepillo duro dentro de los conductos de alimentación y descarga y un paño seco en el exterior del producto.
- No permita que el material se seque ni se endurezca en ninguna de las superficies del producto, especialmente en las cuchillas. Esto afectará directamente o desempeño de corte.
- Asegúrese de que el conducto de alimentación y el conducto de eyección se mantienen limpios y libres de todos los materiales de desecho.
- Asegúrese de que todos los pernos, tuercas y tornillos (excepto el tornillo de regulación) estén apretados y firmes.
- Las piezas dañadas o desgastadas deben ser reparadas o sustituidas por personal cualificado en un centro de asistencia Ryobi aprobado.
- No intente nunca desviar los interruptores de interbloqueo en el cubo de recogida o la cubierta frontal del conjunto de corte.

⚠ ADVERTENCIA

El uso prolongado de una herramienta puede causar o agravar lesiones. Al utilizar cualquier herramienta durante periodos prolongados asegúrese de tomar descansos regulares.

TRANSPORTE Y ALMACENAMIENTO

- Asegure que el producto fue bien limpio antes de guardarlo en un lugar limpio, seco y fuera del alcance de los niños.
- Deje el aparato enfriarse antes de guardarlo o transportarlo.
- Para el transporte, asegure el producto para que no se mueva ni se caiga y evitar así lesionar a alguien o dañar el producto.

MANTENIMIENTO

Antes de llevar a cabo la limpieza, inspección o mantenimiento del producto, apáguelo, deje que las cuchillas se detengan por completo y desenchúfelo. Después de algún tiempo de trituración, el mecanismo de corte se calienta. Deje enfriarse antes de limpiar, inspeccionar o ajustar.

⚠ ADVERTENCIA

No permita en ningún momento que las piezas de plástico entren en contacto con líquido de frenos, gasolina, productos derivados del petróleo, aceites penetrantes, etc. No la limpie nunca con líquido de frenos, productos a base de gasolina o disolventes. La mayoría de los plásticos son susceptibles a daños de varios tipos de solventes comerciales y pueden dañarse por su uso.



- Usted puede efectuar las tareas de mantenimiento que se describen en este manual. Para cualquier otra reparación o asesoramiento, solicite la asistencia de un centro de servicio homologado de RYOBI.

AJUSTE DE LA PLACA DE RASPADO

- Siguiendo estos pasos, logrará el máximo rendimiento del producto. Antes de usarlo, compruebe siempre que las cuchillas no estén en contacto con la placa inferior de la unidad de afeitado. Para su máximo rendimiento, deje un espacio de 1mm entre las cuchillas y la placa inferior.
- Si el producto falla, la placa inferior puede necesitar ajuste o las cuchillas necesitan ser afiladas.
- Con el tiempo, las cuchillas del producto necesitarán ajustes. Ajuste la placa inferior para que entre en contacto con las cuchillas. Asegúrese de que el producto esté encendido y que funcione en la dirección de avance normal. Ajustar la placa de desbarbado con el motor apagado podría producir graves daños en el producto.

NOTA: Sólo se debe intentar ajustar la placa de raspado cuando se considere totalmente necesario. El ajuste de la placa de desbarbado con demasiada frecuencia o demasiada distancia puede provocar que el producto deje de funcionar.

- Mientras el producto esté funcionando, gire el pomo de ajuste hacia la derecha.
- Cuando escuche un ruido de contacto metálico o vea pequeñas virutas de aluminio en el fondo del recipiente de recogida, detenga el ajuste y deje el producto funcionar durante 30 segundos para afilar las cuchillas. Cuando haya terminado el afilado, gire el pomo de ajuste hacia la izquierda hasta que deje de estar en contacto con la placa de desbarbado (deje 1 mm de espacio).

NOTA: El afilado de las cuchillas requiere un contacto muy suave con la placa inferior. Cualquier ajuste debe hacerse lentamente para evitar dañar el producto. Si la placa

inferior es excesivamente ajustada, puede causar daños importantes en el producto.

RIESGOS RESIDUALES:

Incluso cuando se utiliza el producto según las instrucciones, sigue siendo imposible eliminar por completo ciertos factores de riesgo residuales. Pueden surgir los siguientes riesgos durante el uso y el operador debe prestar especial atención para evitar lo siguiente:

- Lesiones a causa del ruido
 - Use protección para los oídos y limite el tiempo de exposición
- Lesión causada por la inhalación de polvo y partículas
 - Utilice una máscara antipolvo cuando sea necesario.
- Lesión causada por el contacto con medios de recorte
 - Mantenga las partes desprotegidas del cuerpo alejadas del mecanismo de corte en todo momento.

REDUCCIÓN DEL RIESGO

Se ha informado de que las vibraciones de las herramientas de mano puede contribuir a una condición llamada síndrome de Raynaud en ciertos individuos. Los síntomas pueden incluir hormigueo, entorpecimiento y decoloración de los dedos, generalmente aparentes cuando tiene lugar una exposición al frío. Se considera que los factores hereditarios, exposición al frío y a la humedad, dieta, tabaquismo y prácticas de trabajo contribuyen al desarrollo de estos síntomas. Existen medidas que pueden ser tomadas por el operador para reducir los efectos de vibración:

- Mantenga su cuerpo caliente durante el tiempo frío. Al manipular el producto, utilice guantes para mantener las manos y las muñecas calientes. Hay informes que indican que el tiempo frío es un gran factor que contribuye al síndrome de Raynaud.
- Después de cada período de funcionamiento, realice ejercicios para aumentar la circulación sanguínea.

- Haga pausas de trabajo frecuentes. Limite la cantidad de exposición por día.

Si siente alguno de los síntomas de esta enfermedad, interrumpa inmediatamente el uso y consulte a su médico estos síntomas.

⚠ ADVERTENCIA

El uso prolongado de una herramienta puede causar o agravar lesiones. Al utilizar cualquier herramienta durante períodos prolongados asegúrese de tomar descansos regulares.

CONOZCA SU PRODUCTO

Véase la página 196.

1. Interruptor de inicio
2. Interruptor de paro
3. Interruptor de marcha atrás
4. Botón de reinicio del dispositivo para protegerlo de sobrecargas
5. Mango de alimentación
6. Mango
7. Botón de ajuste de la placa de alisar
8. Rueda
9. Cubo de recogida
10. Interruptor de seguridad
11. Émbolo del material

NOTA: Si se tira del interruptor de seguridad después de insertar el cubo de recogida en el producto se activa el interruptor de seguridad.

GUÍA DE CORTE

Para obtener los mejores resultados al aparar siga as instrucciones enseñadas en la tabla abajo.

MATERIAL	MÉTODO DE CORTE
Ramitas hasta 6 mm de diámetro.	Alimente en la tolva de alimentación a una velocidad que el producto acepte sin sobrecargar.
Ramas hasta 45 mm de diámetro.	Corte todo el crecimiento lateral con las tijeras de podar antes de la alimentación en la tolva de alimentación.

Plantas de cantero, hierbas y arbustos

Deshaga tierra y aleje piedras de las raíces para evitar daños en las hojas.

Ramas secas y ramas

Mediante la inserción de éstos al final de su tarea de trituración, esto ayudará a limpiar la humedad y la savia de la planta desde el interior del producto y el conjunto de corte.

- No permita la acumulación de residuos en el jardín antes de iniciar a operación de corte, ya que estos iniciarán la descomposición, quedarán húmidos e entupirán el conjunto de corte. El material seco ayudará la mayor parte del material a salir del mango de eyección. Guarde algunos palos secos hasta el final para ayudar a limpiar el área de la hoja.
- Vigile frecuentemente la acumulación/recogida de material cortado.
- La salida de la tolva de descarga debe estar libre en todo momento para evitar obstrucciones.
- Si el cubo de recogida está lleno, apague el producto antes de vaciarlo.

⚠ ADVERTENCIA

No introduzca las manos en la tolva de descarga de la trituradora para limpiar el material triturado si el producto está encendido o enchufado. Las cuchillas están afiladas. Use guantes de protección y tenga mucho cuidado al limpiar y desbloquear.

⚠ ADVERTENCIA

Al alimentar ramos/tallos largos en el aparato tenga cuidado con las batidas y vibraciones producidos a medida que estos se apañan por el cortador. El operador debe usar protección ocular cuando utilice el producto.

⚠ ADVERTENCIA

El aparato de corte tiene tendencia a tirar las ramas/talos hacia el aparato. No intente impedir la admisión de material en corte cuando la alimentación se inicia. Siempre use guantes para evitar laceraciones de la piel en el contacto del material con el producto.

NOTA: Cuando instale el producto, asegúrese de que esté fijado para que no vuelque (consulte el paso 2 - 6 en la página 197).

NOTA: En condiciones normales de uso, no apague el producto hasta que todo el material triturado haya salido del conjunto de corte. Si el producto se apaga con demasiada rapidez, los restos de material pueden obstruir el conjunto de cuchillas y atascar el motor cuando el producto se vuelva a poner en marcha.

SÍMBOLOS EN EL PRODUCTO



Lea y comprenda todas las instrucciones antes de manipular el producto, respete las advertencias y las instrucciones de seguridad.



Tenga cuidado con los objetos volátiles o lanzados. Mantenga a todos los espectadores, especialmente a los niños y las mascotas, por lo menos a 15 metros de la zona de trabajo.



Peligro - Rotación de cuchillas. Mantenga las manos y los pies apartados de las aberturas mientras el aparato está en funcionamiento.



Apague y desenchufe el aparato antes de realizar tareas de mantenimiento si el cable está dañado.



Utilice protección ocular y auditiva.



No utilice como escalón.



Espere que todos los componentes de la máquina se detengan por completo antes de tocarlos.



Use guantes de trabajo resistentes, antideslizantes.



Esta herramienta responde a todas las normas reglamentarias del país de la UE donde se ha comprado.



Certificado EAC de conformidad



Marca de conformidad ucraniana



El mejor nivel de potencia sonora es de 102 dB



Clase II: La protección contra descargas eléctricas se basa en el doble aislamiento o en el aislamiento reforzado.



Los productos eléctricos de desperdicio no deben desecharse con desperdicios caseros. Por favor recíclelos donde existan dichas instalaciones. Compruebe con su autoridad local o minorista para reciclar.



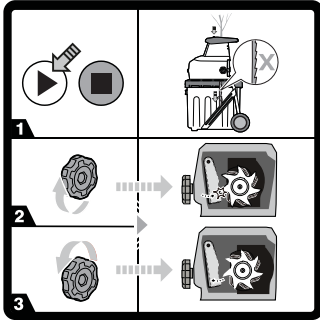
Inicio



Stop



Retroceso



Si el producto no corta el material, la placa de alisar puede necesitar algún ajuste.

1. Encienda el aparato.
2. Gire hacia la derecha el pomo de ajuste de la placa de desbarbado hasta que oiga un contacto metálico o vea finas cuchillas de aluminio en la parte inferior del contenedor de recogida.
3. Después de 30 segundos, gire el pomo hacia la izquierda hasta que la placa de desbarbado muestre un hueco de 1 mm desde las cuchillas.

Los siguientes símbolos y palabras detallan los niveles de cuidado necesarios para usar este producto.

⚠ PELIGRO

Indica una situación potencialmente peligrosa que, de no evitarse, puede ocasionar la muerte o heridas de gravedad.

⚠ ADVERTENCIA

Indica una situación peligrosa que, de no evitarse, puede ocasionar la muerte o heridas de gravedad.

⚠ ADVERTENCIA

Indica una situación potencialmente peligrosa que, de no evitarse, puede ocasionar heridas leves.

ADVERTENCIA

Sin símbolo de alerta de seguridad

Indica una situación que puede causar daños en las cosas.

SÍMBOLOS EN ESTE MANUAL



Conectar a la toma de corriente



Desconectar de la toma de corriente



Las piezas o accesorios se venden por separado



Nota



Advertencia



Cierre



Desbloquear



Mantenga las manos alejadas de las hojas.

RESOLUCIÓN DE PROBLEMAS

PROBLEMA	CAUSA	ACCIÓN
El motor no funciona.	Se ha activado el dispositivo de protección contra sobrecargas.	Espere a que el motor se enfríe y pulse el botón de reinicio del dispositivo de protección contra sobrecargas. Vuelva a encender el producto.
	Fallo de energía	Compruebe el cable de suministro de energía, el enchufe y los fusibles.
	El cubo de recogida no está insertado en el producto o el interruptor de seguridad no está activado.	Inserte el cubo de recogida y tire del interruptor de seguridad para activarlo.
El material para cortar no es atraído hacia adentro.	El material está atascado en el embudo de alimentación.	Para limpiar obstrucciones, siga el manual de instrucciones.
	La placa de alisar está muy lejos de los medios de corte.	Para ajustar la placa inferior, siga el manual de instrucciones.

E' stata data la massima priorità a sicurezza, prestazioni e affidabilità nel design di questo trituratore elettrico silenzioso.

UTILIZZO RACCOMANDATO

Il trituratore elettrico silenzioso è destinato all'uso in esterni in posizione stazionaria da parte di un operatore in piedi.

Il prodotto è progettato per la riduzione dei materiali organici di scarto del giardinaggio, come rami, ramoscelli e foglieame.

Il prodotto non è destinato per materiali non organici come metallo o materiali che abbiano un diametro di 45 mm e superino perciò la capacità massima di taglio.

Il prodotto deve essere montato sul supporto in dotazione e deve essere usato con il contenitore di raccolta fornito. Non montare in modi diversi da quelli indicati nel presente manuale.

Non utilizzare per altri scopi.

NORME DI SICUREZZA GENERALI

⚠ AVVERTENZA

Prodotto non inteso per essere utilizzato da bambini o persone con ridotte capacità fisiche, mentali o sensoriali. Far supervisionare sempre i bambini da un adulto che non sia l'operatore per assicurarsi che non giochino vicino o con il prodotto.

⚠ AVVERTENZA

Quando si utilizza il prodotto si dovranno seguire precauzioni di sicurezza di base per ridurre il rischio di incendio, scosse elettriche e lesioni personali. Leggere tutte le istruzioni di sicurezza attentamente prima di mettere in funzione il prodotto. Familiarizzare con i controlli e con l'utilizzo adeguato e sicuro del prodotto. Conservare le istruzioni per eventuali riferimenti futuri.

UTILIZZO

- Prima di utilizzare il prodotto prendere familiarità con la guida per l'utente.
- Non lasciare che bambini o persone che non conoscono le istruzioni lo utilizzino. Leggi locali possono limitare l'età dell'operatore.

- L'operatore o l'utente del prodotto è responsabile degli incidenti o dei pericoli che possono interessare le altre persone o le loro proprietà.

PREPARAZIONE

- Non utilizzare mai il prodotto vicino agli altri, specialmente bambini e animali.
 - Non utilizzare mai il prodotto in cattive condizioni meteo o quando c'è il rischio di fulmini.
 - Indossare sempre cuffie di protezione e occhiali di sicurezza mentre si mette in funzione l'utensile.
 - Durante l'utilizzo del prodotto indossare sempre calzature robuste (antiscivolo) e pantaloni lunghi. Evitare di indossare abiti con parti svolazzanti o con cordicelle o lacci. Non utilizzare il prodotto a piedi scalzi o indossando sandali aperti.
 - Utilizzare il prodotto solo in uno spazio aperto (es. non vicino a un muro o a un oggetto fisso) e su una superficie ferma e livellata.
 - Non mettere in funzione la macchina su superfici pavimentate o con ciottoli o materiali che potranno essere scagliati verso l'operatore ferendolo.
 - Prima di avviare il prodotto verificare che tutte le viti, i dadi, i bulloni e gli altri elementi di fissaggio siano adeguatamente serrati e che le protezioni e il contenitore di raccolta siano in posizione. Riportare presso un centro servizi autorizzato per sostituire le etichette danneggiate o illeggibili.
 - Prima dell'uso controllare il cavo dell'alimentazione e la prolunga per individuare segni di danni o rotture. Nel caso in cui un cavo venga danneggiato durante l'utilizzo, scollegare il cavo dall'alimentazione immediatamente. Non toccare il cavo prima di scollegare l'utensile dall'alimentazione. Non utilizzare l'utensile se il cavo è danneggiato o usurato.
- ### SICUREZZA ELETTRICA
- Leggere le presenti istruzioni di sicurezza attentamente prima di collegare il prodotto all'alimentazione principale.
 - Prima dell'accensione, accertarsi che la tensione della rete elettrica corrisponda a quella indicata sulla targhetta identificativa. Il fabbricante consiglia il collegamento



a una presa di corrente protetta da interruttore differenziale (salvavita), con una corrente di scatto non superiore a 30 mA.

- Collegare l'utensile a qualsiasi altra fonte di alimentazione potrà causare danni.
- Nel caso in cui un cavo venga danneggiato durante l'utilizzo, deve essere sostituito dalla ditta produttrice o da un centro servizi autorizzato o da personale qualificato per evitare eventuali rischi.
- Prima di utilizzare una prolunga assicurarsi che sia adatta all'utilizzo in esterni e che abbia la capacità nominale sufficiente per l'utensile. La prolunga dovrà essere marcata con "H05 RN-F" o "H05 VV-F". Controllare prima di ogni utilizzo per individuare eventuali danni, srotolare i cavi durante l'utilizzo dal momento che i cavi arrotolati potranno surriscaldarsi. Cavi di prolughe danneggiati non devono essere riparati, devono essere sostituiti con un tipo equivalente.
- Mantenere le prolughe lontano dalle parti pericolose in movimento per evitare danni ai cavi stessi, che potrebbero far entrare in contatto con parti sotto tensione.

AVVERTENZE DI SICUREZZA PER IL TRITURATORE

MONTAGGIO

- Durante la preparazione del prodotto per l'uso, accertarsi che il prodotto non possa capovolgersi. *Vedere pagina 197.*

UTILIZZO

- Prima di avviare la macchina, controllare che la camera di alimentazione sia vuota.
- Tenere sempre il viso e il volto lontani dalla griglia dell'aria e dall'apertura dell'alimentazione.
- Non inserire mani, altre parti del corpo o abiti nella camera di alimentazione.
- Mantenere sempre l'equilibrio. Rimanere bene in equilibrio sulle gambe e non distendere troppo lontano le braccia. Non protendersi. Non posizionarsi a un livello più alto di quello della base della macchina quando si inserisce materiale al suo interno. Prestare attenzione quando si usa il prodotto su un terreno in pendenza.

Camminare, non correre mai.

- Durante l'utilizzo del prodotto tenersi sempre a distanza dalla zona di scarico.
- Quando si inserisce materiale nell'utensile evitare che pezzi di metallo, rocce, bottiglie, lattine o altri corpi estranei non vengano aspirati.
- Se il meccanismo di taglio colpisce dei corpi estranei o se il prodotto comincia a produrre rumori o vibrazioni insoliti, spegnere il prodotto stesso e attendere l'arresto completo delle lame. Scollegare il prodotto dall'alimentazione e seguire le fasi di cui sotto:
 - controllare eventuali danni;
 - controllare e serrare le parti eventualmente allentate;
 - far sostituire o riparare eventuali parti danneggiate con parti di ricambio originali RYOBI
- Non lasciare che il materiale triturato si accumuli nel tubo di scarico dal momento che ciò potrà prevenire un corretto scarico o blocco risultando in un ritorno di materiali attraverso l'apertura dell'alimentazione.
- Se il prodotto si inceppa, spegnerlo e attendere l'arresto completo delle lame. Scollegare il prodotto dall'alimentazione prima di rimuovere i detriti.
- Non utilizzare mai il prodotto se protezioni, coperchi, contenitore di raccolta o altri dispositivi di sicurezza sono difettosi, non in posizione o non in buone condizioni.
- Se si crea della polvere durante il processo di lavorazione, indossare una maschera per la polvere idonea per prevenire danni alla respirazione.
- Non rimuovere né trasportare il prodotto con il motore acceso.
- Spegnerlo il prodotto e scollegarlo dall'alimentazione. Assicurarsi che tutte le parti in movimento si siano arrestate:
 - prima di lasciare il prodotto incustodito
 - prima di rimuovere un blocco
 - prima di verificare, pulire o sottoporre a manutenzione il prodotto.
- Non inclinare il prodotto mentre il motore è in funzione.



- Non modificare mai le parti del prodotto, né utilizzare parti non consigliate da RYOBI, in quanto ciò potrebbe aumentare il rischio di lesioni gravi per sé o per gli altri.
- Assicurarsi di aver rimosso eventuali detriti dalle aperture di ventilazione; in caso contrario, il motore potrà surriscaldarsi causando gravi danni al prodotto o un aumento dei rischi di incendio.
- Spegnerne immediatamente il prodotto e scollegarlo dalla rete elettrica in caso di incidente o guasto. Non utilizzare di nuovo il prodotto finché non è stato controllato a fondo da un centro di assistenza autorizzato.
- Spegnerne il prodotto prima di fissare o rimuovere il contenitore di raccolta.

⚠ AVVERTENZA

Il prolungato utilizzo dell'utensile potrà causare o aggravare lesioni. Quando si utilizza questo utensile per periodi di tempo prolungati, assicurarsi di fare sempre delle pause regolari.

TRASPORTO E RIPONIMENTO

- Assicurarsi che il prodotto sia stato completamente pulito prima di riporlo in un luogo asciutto, pulito e lontano dalla portata dei bambini.
- Lasciare il prodotto raffreddarsi adeguatamente prima di riporre o trasportare.
- Per trasportare il prodotto, assicurarlo da eventuali movimenti o cadute per evitare lesioni a persone o danni al prodotto.

MANUTENZIONE

Prima di pulire, ispezionare o eseguire la manutenzione del prodotto, spegnerlo, attendere che le lame si siano completamente arrestate e scollegarlo dalla rete elettrica. Dopo che la macchina sarà stata attivata per un periodo di tempo, il meccanismo di taglio si surriscaldierà. Lasciare raffreddare adeguatamente prima di svolgere le operazioni di pulizia, controllo o regolazione.

⚠ AVVERTENZA

Le lame di taglio sono estremamente affilate. Per evitare lesioni, prestare estrema attenzione e usare cautela durante la pulizia o un'operazione in prossimità delle lame o all'interno dell'involucro aperto dopo che il contenitore di raccolta è stato rimosso. Indossare sempre guanti da lavoro protettivi.

- Ricordare che gli accessori di taglio si muoveranno ancora quando l'alimentazione viene arrestata o quando l'interruttore di interblocco è inserito.
- Per assicurarsi prestazioni ottimali da parte del prodotto, mantenerlo sempre pulito.
- Pulire il prodotto immediatamente dopo l'utilizzo. Ove possibile, utilizzare una spazzola dura all'interno dei tubi di alimentazione o scarico e un panno asciutto sulla parte esterna del prodotto.
- Non far asciugare e indurire il materiale su nessuna superficie del prodotto, in particolare sulle lame. Ciò influenzerà le prestazioni di triturazione.
- Assicurarsi che il tubo dell'alimentazione e il tubo di estrazione siano puliti e non presentino materiale di scarto.
- Assicurarsi che tutti i dadi, i bulloni e le viti (tranne la vite di regolazione) siano serrati e assicurati.
- Far riparare o sostituire parti danneggiate o consumate da una persona qualificata presso un centro servizi autorizzato Ryobi.
- Non tentare mai di bypassare l'inibitore di avviamento posto sul contenitore di raccolta o sul coperchio anteriore del gruppo di taglio.

⚠ AVVERTENZA

Evitare che sostanze come sostanze per freni, benzina, prodotti a base di petrolio, oli penetranti, ecc. entrino in contatto con parti in plastica. Nelle operazioni di pulizia non utilizzare mai liquido per freni, prodotti a base di benzina o solventi. La maggior parte dei materiali plastici è soggetta a danni di vario tipo da solventi commerciali e può essere danneggiata dal contatto con gli stessi.

- Sarà possibile svolgere le operazioni di manutenzione indicate nel presente manuale. Per altre riparazioni o consigli richiedere l'aiuto di un centro assistenza autorizzato RYOBI.

REGOLAZIONE PIASTRA DI LEVIGATURA

- Il prodotto offre le migliori prestazioni quando queste fasi vengono seguite. Prima dell'utilizzo, controllare che tutte le lame non tocchino la piastra di triturazione. Per prestazioni ottimali, lasciare uno spazio di 1 mm tra le lame e la piastra di triturazione.
- Nel caso in cui il prodotto non riesca a tritare materiale, la piastra di triturazione dovrà essere regolata o le lame dovranno essere affilate.
- Nel tempo le lame del prodotto dovranno essere regolate. Questa operazione potrà essere completata regolando la piastra di triturazione in modo che entrerà in contatto con le lame. Assicurarsi che il prodotto sia acceso e che funzioni nel normale senso in avanti. La regolazione della piastra di sbarbatura a motore spento può causare gravi danni al prodotto.

NOTA: Regolare la piastra di levigatura solo quando è assolutamente necessario. La regolazione della piastra di sbarbatura troppo frequente o eccessiva può causare l'interruzione del funzionamento del prodotto.

- Mentre il prodotto è in funzione, ruotare il pomello di regolazione in senso orario.
- Quando si sente un rumore di metallo che entra in contatto con altro metallo e si vedono delle scaglie di alluminio nella parte inferiore del vassoio di raccolta, arrestare la vite di regolazione e lasciare che il prodotto scorra per 30 secondi per affilare le lame. Ad affilatura completata, ruotare il pomello di regolazione in senso antiorario fino a quando non è più in contatto con la piastra di sbarbatura, lasciando 1 mm di distanza.

NOTA: Affilare le lame richiede un contatto molto leggero con la piastra di triturazione. Completare qualsiasi regolazione con calma per evitare di danneggiare il prodotto. Regolare eccessivamente la piastra potrà causare gravi danni al prodotto.

RISCHI RESIDUI:

Anche quando il prodotto viene utilizzato come indicato, è impossibile eliminare completamente alcuni fattori di rischio residuo. Si potranno correre i seguenti rischi durante l'utilizzo e l'operatore dovrà fare particolare attenzione per evitare quanto segue:

- Lesioni causate dal rumore.
 - Indossare cuffie di protezione e limitare l'esposizione.
- Lesioni causate dall'inalazione di polvere e particelle
 - Quando necessario indossare una maschera antipolvere con filtro.
- Lesioni causate dal contatto con i dispositivi di taglio
 - Tenere parti del corpo non protette lontane dai meccanismi di taglio.

RIDUZIONE DEL RISCHIO

Si è accertato che le vibrazioni causate da utensili a mano possono contribuire a causare una condizione chiamata Sindrome di Raynaud in alcune persone. I sintomi, comprendenti formicolio, intorpidimento e perdita di colore alle dita, si verificano di solito quando ci si espone al freddo. Fattori ereditari, esposizione a freddo e umidità, una dieta scorretta, fumo e condizioni di lavoro non sicure potranno contribuire allo sviluppo di questi sintomi. È possibile prendere delle precauzioni per ridurre le vibrazioni:

- Tenere il corpo al caldo a basse temperature. Quando si utilizza il prodotto indossare guanti per tenere le mani e i polsi caldi. Le basse temperature contribuiscono a causare la Sindrome di Raynaud.
- Dopo aver utilizzato l'utensile per un certo periodo, fare degli esercizi per stimolare la circolazione del sangue.
- Fare spesso delle pause. Limitare la quantità di esposizione giornaliera.

Nel caso in cui si provino i sintomi di questa condizione, interrompere immediatamente l'utilizzo dell'utensile e consultare un dottore.

⚠ AVVERTENZA

Il prolungato utilizzo dell'utensile potrà causare o aggravare lesioni. Quando si utilizza questo utensile per periodi di tempo prolungati, assicurarsi di fare sempre delle pause regolari.

FAMILIARIZZARE CON IL PRODOTTO

Vedere pagina 196.

1. Interruttore di avviamento
2. Interruttore di arresto
3. Interruttore di inversione
4. Pulsante di ripristino del dispositivo di protezione dai sovraccarichi
5. Tubo di ingresso.
6. Manico
7. Manopola di regolazione piastra di triturazione
8. Ruota
9. Contenitore di raccolta
10. Interruttore di sicurezza
11. Pistone del materiale

NOTA: Per attivare l'interruttore di sicurezza, tirarlo verso l'alto dopo l'inserimento del contenitore di raccolta nel prodotto.

GUIDA ALLA TRITURAZIONE

Per i migliori risultati di triturazione, seguire le linee guida indicate nella tavola seguente.

MATERIALE	METODO DI TRITURAZIONE
Ramoscelli fino a 6 mm di diametro.	Inserire nel tubo dell'alimentazione a una frequenza che non permetterà di sovraccaricare il prodotto.
Rami fino a 45 mm di diametro.	Tagliare i rametti laterali con delle cesoie prima di inserirli nel tubo dell'alimentazione.
Piante in aiuole, erbacce e arbusti vari	Rimuovere terreno e pietre dalle radici per evitare danni alle lame.
Rami e rametti secchi	Inserire questi pistoni alla fine delle operazioni di triturazione, ciò aiuterà a rimuovere l'umidità e la linfa delle piante dall'interno del prodotto e dal gruppo di taglio.

- Non lasciare accumulare scarti di rifiuti organici prima di passare alle operazioni di triturazione dal momento che gli stessi inizieranno a trasformarsi in compost e potranno diventare eccessivamente umidi e bloccando il dispositivo di taglio.

Il materiale asciutto aiuterà a rimuovere la maggior parte di materiale dal tubo di scarico. Conservare alcuni bastoncini secchi per ultimi per pulire la zona lame.

- Monitorare frequentemente l'accumulo/ raccolta di materiali triturati.
- L'uscita del tubo di scarico deve essere sempre pulita per prevenire blocchi.
- Quando il contenitore di raccolta è pieno, prima di svuotarlo spegnere il prodotto.

⚠ AVVERTENZA

Non infilare le mani nella tramoggia di scarico del tritratore per rimuovere il materiale triturato, mentre il prodotto è acceso o collegato alla rete elettrica. Le lame sono affilate. Indossare guanti da lavoro resistenti e fare estrema attenzione quando si svolgono le operazioni di pulizia e si rimuovono eventuali blocchi.

⚠ AVVERTENZA

Quando si inseriscono lunghi rami/arbusti nell'utensile fare attenzione al rimbalzo e alle vibrazioni quando verranno risucchiati dalle lame di taglio. L'operatore deve indossare maschere di protezione per gli occhi quando utilizza il prodotto.

⚠ AVVERTENZA

Il dispositivo di taglio ha la tendenza di risucchiare rami/arbusti nel prodotto. Non tentare di bloccare l'ingresso di materiali da tagliare una volta iniziate le operazioni di taglio. Indossare sempre guanti per prevenire lacerazioni alla pelle quando si inserisce del materiale nel prodotto.

NOTA: Durante la preparazione del prodotto per l'uso, accertarsi che il prodotto non possa capovolgersi (vedere pagina 197, passaggio 2 - 6).

NOTA: Nel normale utilizzo, non spegnere il prodotto finché tutto il materiale triturato non abbia lasciato il gruppo di taglio. Se il prodotto viene spento troppo presto, i frammenti rimanenti di materiale possono inceppare il gruppo lame e bloccare il motore alla riaccensione del prodotto.

SIMBOLI SUL PRODOTTO



Leggere e comprendere tutte le istruzioni prima di mettere in funzione il prodotto, seguire tutte le istruzioni e le avvertenze di sicurezza.



Fare attenzione ad oggetti scagliati o lanciati dall'utensile. Tenere lontani tutti gli osservatori, soprattutto bambini e animali, ad almeno 15 m dalla zona di funzionamento.



Pericolo – Lame rotanti
Tenere mani e piedi lontani dalle aperture mentre il prodotto è in funzione.



Spegnere il prodotto e staccare la spina dalla rete elettrica prima di eseguire la manutenzione o se il cavo è danneggiato.



Indossare protezione occhi e orecchie.



Non utilizzare come uno sgabello.



Attendere fino a che tutti i componenti dell'utensile si siano completamente arrestati prima di toccarli.



Indossare guanti anti-scivolo da lavoro.



Questo apparecchio è conforme a tutte le norme vigenti nel paese dell'UE in cui è stato acquistato.



Marchio di conformità EurAsian



Marchio di conformità ucraino



Il livello di potenza sonora garantito è 102 dB



Classe II: Il doppio isolamento o l'isolamento rafforzato permettono di proteggersi dalle scosse elettriche.



I prodotti elettrici non devono essere smaltiti con i rifiuti domestici. Vi sono strutture per smaltire tali prodotti. Informarsi presso il proprio Comune o rivenditore di sicurezza per smaltire adeguatamente tali rifiuti.



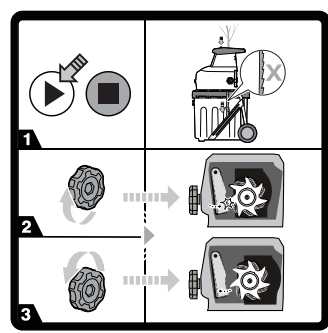
Avviamento



Arresto



Indietro



Se il prodotto non riesce a tritare il materiale, la piastra di triturazione potrà dover essere regolata.

1. Attivare il prodotto.
2. Ruotare il pomello di regolazione della piastra di sbaratura in senso orario finché non si sente il contatto metallo-metallo o non si vedono dei fini truciolati di alluminio in fondo al contenitore di raccolta.
3. Dopo 30 secondi ruotare il pomello in senso antiorario finché la piastra di sbaratura non dista 1 mm dalle lame.

SIMBOLI NEL PRESENTE MANUALE



Collegare alla presa dell'alimentazione



Scollegare dalla presa dell'alimentazione



Parti o accessori venduti separatamente



Note



Avvertenze



Blocco



Sblocco



Tenere le mani lontane dalle lame.

I seguenti simboli indicano i livelli di rischio associati a questo prodotto.

PERICOLO

Indica una situazione pericolosa che, se non evitata attentamente, potrà causare gravi lesioni alla persona o morte.

AVVERTENZA

Indica una situazione potenzialmente pericolosa che, se non evitata attentamente, potrà causare gravi lesioni alla persona o morte

ATTENZIONE

Indica una situazione potenzialmente pericolosa che, se non evitata attentamente, potrà causare lesioni minori o moderate alla persona.

ATTENZIONE

Senza simbolo di allerta di sicurezza

Indica una situazione che potrà risultare in gravi danni a cose.

RISOLUZIONE DEI PROBLEMI

PROBLEMA	CAUSA	AZIONE
Il motore non funziona.	È intervenuto il dispositivo di protezione dai sovraccarichi.	Attendere il raffreddamento del motore, quindi premere il pulsante di ripristino del dispositivo di protezione dai sovraccarichi. Riaccendere il prodotto.
	Guasto alla fornitura di rete	Verificare il cavo di alimentazione, la spina e il fusibile dell'alloggiamento.
	Il contenitore di raccolta non è inserito nel prodotto e/o l'interruttore di sicurezza non si è attivato.	Inserire il contenitore di raccolta, quindi tirare verso l'alto l'interruttore di sicurezza per attivarlo.
Il materiale da tritare non viene aspirato dall'utensile.	Il materiale si è inceppato nell'imbuto alimentatore.	Seguire le istruzioni sul manuale per rimuovere eventuali ostruzioni.
	La piastra di triturazione è troppo lontana dalle parti di taglio.	Seguire le istruzioni nel manuale per la regolazione della piastra di triturazione.

Veiligheid, prestaties en betrouwbaarheid kregen toprioriteit bij het ontwerp van uw elektrische stille verhakselaar.

VOORGESCHREVEN GEBRUIK

De elektrische, stille versnipperaar is bedoeld voor buitengebruik in een stationaire positie, bediend door een persoon die op de grond staat.

Het product is ontworpen voor het versnipperen van organisch tuinafval, zoals takken, twijgen en bladen.

Het product is niet geschikt voor niet-organisch materiaal, metaal of materiaal dat de maximale zaagcapaciteit van 45 mm diameter overstijgt.

Het product moet worden gemonteerd op de meegeleverde steun en moet worden gebruikt met de meegeleverde opvangbak. Het apparaat mag niet op een andere manier worden gemonteerd dan in deze handleiding getoond.

Gebruik niet voor andere doeleinden.

ALGEMENE VEILIGHEIDSVOORSCHRIFTEN

⚠ WAARSCHUWING

Het product is niet geschikt voor gebruik door kinderen of personen met verminderde fysieke, mentale of zintuigelijke vermogens. Jonge kinderen moeten altijd onder toezicht staan van iemand anders dan de bediener om te verzekeren dat ze niet in de buurt van of met het product spelen.

⚠ WAARSCHUWING

Wanneer u het product gebruikt, moeten de basisveiligheidsvoorschriften worden nageleefd om het risico op brand, elektrische schok of letsels te verminderen. Lees zorgvuldig alle veiligheidsinstructies voor u het product bedient. Zorg ervoor dat u vertrouwd bent met de bedieningsknoppen en het correct en veilig gebruik van het product. Bewaar de instructies voor later gebruik.

Opleiding

- Zorg dat u vertrouwd bent met de gebruikershandleiding voordat u probeert het product te gebruiken.
- Laat kinderen of personen die niet vertrouwd zijn met deze instructies, het product gebruiken. De plaatselijke wetgeving kan beperkingen opleggen i.v.m. de leeftijd van de bediener.
- De operator of gebruiker van het product is verantwoordelijk voor ongevallen of gevaren voor andere mensen of hun eigendom.

VOORBEREIDING

- Bedien het product nooit in de nabijheid van omstanders, vooral kinderen en huisdieren.
- Gebruik het product nooit in slecht weer of wanneer er een risico op bliksem is.
- Draag altijd gehoorbescherming en een veiligheidsbril terwijl u de machine gebruikt.
- Draag bij gebruik van het product altijd stevige (anti-slip) schoenen en een lange broek. Draag geen loszittende kledij of kledij met loshangende snoeren of touwen. Gebruik het product niet wanneer u blootsvoets bent of open sandalen draagt.
- Gebruik het product enkel in een open ruimte (bv. niet dichtbij een muur of een vast voorwerp) en op een stevig, vlak oppervlak.
- Gebruik de machine niet op een geasfalteerd of grintoppervlak waar uitgeworpen materiaal verwondingen kan veroorzaken.
- Alvorens het product te starten, controleer of alle schroeven, moeren, bouten en andere bevestigingsmiddelen goed vastzitten en dat beschermingen en opvangbak geplaatst zijn. Raadpleeg een geautoriseerd servicecentrum om beschadigde of onleesbare etiketten te vervangen.
- Voor gebruik controleert u het stroom- en verlengsnoer op tekenen van schade of slijtage. Als het snoer tijdens het gebruik beschadigd raakt, trekt u onmiddellijk de stekker uit de contactdoos. Raak het snoer niet aan voor u de stroomtoevoer ontkoppelt. Gebruik de machine niet als het snoer versleten of beschadigd is.



EN
FR
DE
ES
IT
NL
PT
DA
SV
FI
NO
RU
PL
CS
HU
RO
LV
LT
ET
HR
SL
SK
BG
UK
TR

ELEKTRISCHE VEILIGHEID

- Lees deze veiligheidsvoorschriften grondig voor u het product met de stroomtoevoer verbindt.
- Alvorens in te schakelen, zorg ervoor dat de spanning van uw elektriciteitsvoorziening dezelfde is als deze die op het typeplaatje is aangegeven. De producent beveelt aan dat u verbindt met een stopcontact dat beschermd is door een aardlekschakelaar met een uitschakelstroom van niet meer dan 30 mA.
- Het apparaat met een andere stroombron verbinden kan schade veroorzaken.
- Als het stroomsnoer beschadigd is, moet het worden vervangen door de fabrikant, zijn onderhoudsagent of een gelijkaardig gekwalificeerd persoon om gevaar te vermijden.
- Als u een verlengsnoer moet gebruiken, zorgt u ervoor dat het geschikt is voor buitenshuis gebruik en een stroomvoercapaciteit heeft die volstaat om uw werktuig aan te drijven. Het verlengsnoer moet gemarkeerd zijn met "H05 RN-F" of "H05 VV-F". Controleer voor elk gebruik op schade, ontrol het snoer altijd tijdens gebruik aangezien een opgerold snoer kan oververhitten. Beschadigde verlengsnoeren mogen niet worden hersteld, maar moeten door een gelijkaardig type worden vervangen.
- Houd verlengkabels weg van bewegende en gevaarlijke onderdelen om schade aan de kabels te vermijden, wat kan leiden tot contact met onder spanning staande onderdelen.

VEILIGHEIDSWAARSCHUWINGEN M.B.T. DE VERSNIJPERAAR

MONTAGE

- Wanneer u het product klaar maakt voor gebruik, zorg ervoor dat het product is vastgemaakt zodat het niet omvalt. Zie pagina 197.

BEDIENING

- Voor u de machine start, kijkt u in de voedingskamer om te zien of deze leeg is.
- Houd uw gezicht en lichaam weg van de voedingsinlaatopening.

- Plaats uw handen of enig ander lichaamsdeel of kledingsstuk niet in de voedingskamer, uitlaatklep of in de buurt van een bewegend deel.
- Wees altijd zeker de manier waarop u staat. Ga altijd stevig op uw benen staan en reik niet te ver weg met uw arm. Overrek u niet. Sta nooit hoger dan de machinevoet wanneer u de machine voedt. Wees voorzichtig wanneer u het product op een helling gebruikt. Stap altijd, loop nooit.
- Blijf altijd uit de buurt van de afvoerzone wanneer u het product gebruikt.
- Wees uiterst voorzichtig wanneer u materiaal in de machine steekt dat deze geen stukken metaal, steen, flessen, blikjes of andere vreemde voorwerpen bevatten.
- Wanneer het versnippermechanisme tegen een vreemd voorwerp slaat of als het product ongewone geluiden of trillingen produceert, dient u het product uit te schakelen en de snijmesses helemaal tot stilstand te laten komen. Ontkoppel het product van de stroomtoevoer en voer de volgende stappen uit:
 - controleer op schade
 - controleer op losse onderdelen en maak vast
 - laat alle beschadigde onderdelen vervangen of herstellen door originele RYOBI-onderdelen
- Laat verwerkt materiaal zich niet ophopen in de uitlaatschuif aangezien dit kan verhinderen dat het afval wordt uitgestoten of een blokkering kan veroorzaken die leidt tot terugslag van materiaal door de voedingsinlaatopening.
- Als het product verstopt raakt, schakel dan het product uit en laat de snijmesses helemaal tot stilstand komen. Ontkoppel het product van de stroomtoevoer voor u afval vrijmaakt.
- Gebruik het product nooit als de beschermingen, deksels, opvangbak of andere veiligheidsvoorzieningen defect zijn, niet op hun plaats zitten, of niet in goede werkende staat verkeren.
- Als het verhakselproces stof veroorzaakt, draagt u een aangepast stofmasker of ademhalingsproblemen te voorkomen.



- Beweeg of transporteer het product niet terwijl de motor loopt.
- Schakel het product uit en ontkoppel het van de stroomvoorziening. Zorg ervoor dat alle bewegende delen volledig tot stilstand zijn gekomen:
 - voordat u het product onbewaakt achterlaat
 - voordat u een obstructie verwijdert
 - alvorens het product te inspecteren, reinigen of onderhouden.
- Kantel het product niet terwijl de motor draait.
- Wijzig nooit onderdelen van het product en gebruik geen onderdelen die niet door RYOBI werden aanbevolen. Dit kan het risico op ernstige verwondingen aan uzelf of anderen verhogen.
- Zorg er altijd voor dat de ventilatieopeningen vrij zijn van afval; zonet kan de motor oververhitten wat kan leiden tot mogelijke schade aan het product of een verhoogd brandgevaar.
- Schakel het product onmiddellijk uit en ontkoppel van de voedingsspanning in geval van een ongeval of panne. Gebruik het product niet opnieuw totdat het volledig is gecontroleerd door een erkend onderhoudscentrum.
- Schakel het product uit alvorens de opvangbak te verwijderen of te bevestigen.

⚠ WAARSCHUWING

Letsels kunnen worden veroorzaakt of ernstiger worden door verlengd gebruik van een werktuig. Als u een werktuig gedurende langere periodes gebruikt, neem dan regelmatig pauze.

TRANSPORT EN OPSLAG

- Zorg ervoor dat het product grondig werd schoongemaakt voor u het op een schone, droge plaats bewaart, buiten het bereik van kinderen.
- Laat het product voldoende afkoelen voor u het opbergt of transporteert.
- Voor transport beveiligd u het product tegen bewegingen of vallen om letsels of schade aan het product te voorkomen.

ONDERHOUD

Alvorens het product te reinigen, inspecteren of onderhouden moet het worden uitgeschakeld en dienen de messen volledig tot stilstand te zijn gekomen. Trek dan de stekker uit. Nadat u zekere tijd hebt gehakseld, wordt het snijmechanisme warm. Laat voldoende afkoelen voor u het apparaat reinigt, inspecteert of afstelt.

⚠ WAARSCHUWING

De snijmessen zijn uiterst scherp. Om verwondingen te vermijden, moet u uiterst voorzichtig zijn bij het schoonmaken of werken in de buurt van de messen of in de geopende behuizing wanneer de opvangbak is verwijderd. Draag altijd stevige veiligheidshandschoenen.

- Houd rekening met het feit dat de messen nog steeds kunnen bewegen wanneer de stroom is uitgeschakeld of de vergrendelschakelaar is geactiveerd.
- Om de beste prestaties van uw product te verzekeren, moet het schoon worden gehouden.
- Reinig het product altijd onmiddellijk na gebruik. Waar mogelijk, gebruikt u een harde borstel in de voedings- en uitlaatrechter en een droge doek aan de buitenkant van het product.
- Laat geen materiaal droog en hard worden op een van de oppervlakken van het product, en in het bijzonder op de messen. Dit zal het verhakselvermogen rechtstreeks beïnvloeden.
- Zorg ervoor dat de voedings- en uitlaatrechter schoon worden gehouden en vrij van afval.
- Zorg ervoor dat alle moeren, bouten en schroeven (met uitzondering van de afstelschroef) stevig en goed zijn vastgemaakt.
- Laat beschadigde of versleten onderdelen altijd herstellen of vervangen door gekwalificeerd personeel in een geautoriseerd Ryobi-onderhoudscentrum.
- Probeer nooit om de vergrendelingsschakelaars op de opvangbak of het voorpaneel van de snijeenheid te omzeilen.

⚠ WAARSCHUWING

Laat op geen elk moment remvloeistoffen, benzine, producten op petroleumbasis, penetrerende oliën, etc. in contact komen met kunststof onderdelen. Gebruik daarvoor nooit remvloeistoffen, producten op basis van benzine of sterke oplosmiddelen. De meeste soorten plastic zijn gevoelig voor schade, veroorzaakt door verschillende soorten commerciële oplosmiddelen en kunnen door hun gebruik worden beschadigd.

- U mag de onderhoudswerken uitvoeren die in deze gebruiksaanwijzing zijn beschreven. Voor andere reparaties of advies dient u contact op te nemen met een erkend onderhoudscentrum van RYOBI.

VERHAKSELBLADAFSTELLING

- Het product levert de beste prestaties wanneer u de volgende stappen volgt. Controleer voor gebruik of de bladen niet in contact komen met de scheerplaat. Houd voor optimale prestaties een opening van 1 mm tussen de bladen en de scheerplaat.
- Als het product er niet in slaagt om het materiaal te verhakselen, moet de scheerplaat misschien worden afgesteld of de bladen geslepen.
- Na verloop van tijd moeten de bladen op het product worden afgesteld. Dit kan worden uitgevoerd door de scheerplaat af te stellen zodat ze licht contact maakt met de bladen. Zorg ervoor dat het product is ingeschakeld en werkt in normale, voorwaartse richting. Het aanpassen van de scheerplaat terwijl de motor is uitgeschakeld kan leiden tot ernstige schade aan het product.

OPMERKING: U mag het verhakselblad uitsluitend proberen af te stellen wanneer dit absoluut noodzakelijk is. Het te vaak of te ver aanpassen van de scheerplaat kan ertoe leiden dat het product niet meer werkt.

- Terwijl het product in werking is, draai de instelknop rechtsom.
- Wanneer u contact van metaal op metaal hoort of u fijne aluminium schaafsel op de vloer van de verzamelcontainer opmerkt, stopt u het afstellen en laat u het product gedurende 30 seconden lopen om de bladen te slijpen. Eens het scherpen klaar

is, draai de instelknop linksom tot deze niet meer in contact is met de scheerplaat, en laat een spatie van 1 mm.

OPMERKING: Het slijpen van de bladen vereist een heel licht contact met de scheerplaat. Voer elke afstelling voorzichtig uit om te vermijden dat het product beschadigd raakt. Wanneer u de plaat teveel afstelt, kan dit leiden tot ernstige schade aan het product.

RESTRISICO'S

Zelfs wanneer het product zoals voorgeschreven wordt gebruikt, is het nog steeds onmogelijk om bepaalde restrisico's volledig te elimineren. De volgende gevaren kunnen ontstaan tijdens het gebruik en de bediener moet bijzondere aandacht hebben om de volgende situaties te voorkomen:

- Verwondingen veroorzaakt door geluid.
 - Draag gehoorbescherming en beperk de blootstelling.
- Letsels veroorzaakt door het inhaleren van stof en deeltjes.
 - Draag indien nodig een stofmasker.
- Letsels veroorzaakt door contact met het snijmechanisme.
 - Houd onbeschermd lichaamsdelen altijd weg van het zaagmechanisme.

RISICOBEPERKING

Er zijn meldingen dat trillingen van handwerktuigen bij sommige mensen bijdragen tot het Syndroom van Raynaud. Symptomen kunnen ondermeer tintelingen, gevoelloosheid en bleek worden van de vingers omvatten, wat normaal gezien duidelijk wordt bij blootstelling aan koude. Erfelijke factoren, blootstelling aan koude en vocht, dieet, roken en werkroutine kunnen allemaal bijdragen tot de ontwikkeling van deze symptomen. Er kunnen door de bediener maatregelen worden genomen om de gevolgen van de trillingen te beperken:

- Houd bij koud weer uw lichaam warm. Draag handschoenen terwijl u het product gebruikt om de handen en polsen warm te houden. Men neemt aan dat koud weer een belangrijke factor is die bijdraagt tot het Syndroom van Raynaud.
- Doe oefeningen om de bloeddoorstroming

te bevorderen na elke periode van gebruik.

- Neem regelmatig een pauze. Beperk het aantal uren dat u per dag wordt blootgesteld.

Wanneer u enige van de symptomen van deze aandoening ervaart, stop dan onmiddellijk met het gebruik van het toestel en raadpleeg uw dokter

⚠ WAARSCHUWING

Letsels kunnen worden veroorzaakt of ernstiger worden door verlengd gebruik van een werktuig. Als u een werktuig gedurende langere periodes gebruikt, neem dan regelmatig pauze.

KEN UW PRODUCT

Zie pagina 196.

1. Startschakelaar
2. Stopschakelaar
3. Omkeerschakelaar
4. Resetknop overbelastingsbeveiliging
5. Voedingsklep
6. Handvat
7. Afstelknop verhakselplaat
8. Wiel
9. Opvangbak
10. Veiligheidsschakelaar
11. Materiaalzuiger

OPMERKING: Het optrekken van de veiligheidsschakelaar nadat de opvangbak in het product is geplaatst zal de veiligheidsschakelaar activeren.

VERHAKSELGIDS

Voor beste verhakselresultaten, volgt u de richtlijnen in de onderstaande tabel.

MATERIAAL VERHAKSELMETHODE

Twijgen tot 6 mm diameter.	Voed in de voedingstrechter aan een tempo dat het product aanvaardt zonder overbelast te raken.
----------------------------	---

Takken tot 45 mm diameter.

Snijd alle zijtakken met behulp van een snoeischaar af voor u het materiaal in de voedingstrechter steekt.

Het perken van planten, onkruid en struikgewas.

Sla grond en stenen van de wortels om schade aan de snijbladen te voorkomen.

Droge stokken en twijgen

Door deze aan het einde van uw hakselwerk in te voeren, helpt dit om het vocht en plantensap aan de binnenkant van het product en snijmechanisme te reinigen.

- Laat tuinafval zich niet ophopen voor het verhakselen aangezien het zal beginnen composteren, te vochtig wordt en vastklit in het verhakselmechanisme. Droog materiaal zal helpen om ander materiaal uit de uitlaatklep te verwijderen. Bewaar enkele droge stokken tot het laatst om te helpen de snijbladen vrij te maken.
- Controleer regelmatig het ophopen/verzamelen van verhakseld materiaal.
- De uitlaat van de uitlaatrechter moet altijd vrij zijn om obstructies te vermijden.
- Wanneer de opvangbak vol is, schakel het product uit alvorens deze leeg te maken.

⚠ WAARSCHUWING

Steek uw handen niet omhoog in de afvoerpijp om versnipperd materiaal te verwijderen terwijl het product in werking is of verbonden is met de voeding. De zaagbladen zijn scherp. Draag stevige veiligheidshandschoenen en wees uiterst voorzichtig wanneer u blokkeringen vrijmaakt of tijdens het reinigen.

⚠ WAARSCHUWING

Wanneer u lange, houtige takken/stammen in het product voedt, dient u voorzichtig te zijn voor zweepslagen en trillingen aangezien zij door de snijbladen worden vastgegrepen. De bediener moet gezichtsbescherming dragen wanneer hij het product gebruikt.

⚠ WAARSCHUWING

Het snijmechanisme heeft de neiging om takken/stammen in het product te trekken. Probeer materiaal dat wordt verhakseld niet tegen te houden eens het in de machine wordt gevoerd. Draag altijd handschoenen om snijwonden te voorkomen wanneer u materiaal in het product voedt.

OPMERKING: Wanneer u het product klaarmaakt voor gebruik, zorg ervoor dat het product is vastgemaakt zodat het niet omvalt (raadpleeg pagina 197, stap 2 - 6).

OPMERKING: Bij normaal gebruik, schakel het product niet uit tot al het versnipperde materiaal weg is uit de versnipperaar. Als het product te snel wordt uitgeschakeld, kunnen resterende stukjes materiaal de mesconstructie verstopen en de motor blokkeren wanneer het product weer wordt ingeschakeld.

SYMBOLEN OP HET PRODUCT



Lees en begrijp alle instructies voor u het product bedient, volg alle waarschuwingen en veiligheidsinstructies.



Houd rekening met weggeslingerde of rondvliegende voorwerpen. Houd alle omstanders, in het bijzonder kinderen en huisdieren, op tenminste 15m afstand van het werkgebied.



Gevaar - ronddraaiende snijbladen. Houd handen en voeten weg van openingen terwijl het product loopt.



Trek de stekker uit de voeding voor onderhoud of wanneer het snoer is beschadigd.



Draag gezichts- en oorbescherming.



Gebruik niet als opstap.



Wacht tot alle machineonderdelen volledig tot stilstand zijn gekomen voor u ze aanraakt.



Draag zware, antislip handschoenen.



Dit apparaat voldoet aan alle geldende normen van Lid-Staat van de Europese Unie waar het werd gekocht.



EurAsian-symbool van overeenstemming



Oekraïens conformiteitssymbool



Het gegarandeerde geluidsniveau bedraagt 102 dB.



Klasse II: De bescherming tegen elektrische schok hangt af van dubbele of versterkte isolatie.



Elektrisch afval mag niet samen met ander huishoudafval worden weggegooid. Gelieve te recyclen indien de mogelijkheid bestaat. Neem contact op met uw lokaal bestuur of handelaar om advies te krijgen over recyclage.



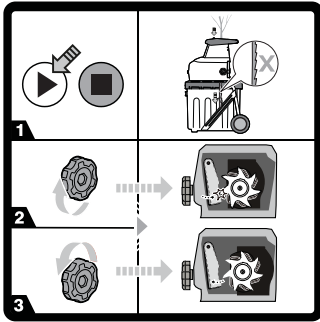
Start



Stop



Achterwaarts



Als het product geen materiaal kan verhakselen, is het mogelijk dat de verhakselplaat moet worden afgesteld.

1. Schakel het product in.
2. Draai de instelknop van de scheerplaat rechtsonder tot u contact van metaal op metaal hoort of u fijn aluminium scheersel zit op de bodem van de opvangbak.
3. Na 30 seconden draait u de knop linksom tot er een speling van 1 mm tussen de scheerplaat en de messen is.



Houd handen weg van snijbladen.

De volgende kernwoorden en verklaringen zijn bedoeld om de gevareniveaus die op dit toestel betrekking hebben, te verklaren.

⚠ GEVAAR

Wijst op een gevaarlijke situatie die, als ze niet wordt voorkomen, dodelijk kan zijn of ernstige verwondingen kan veroorzaken.

⚠ WAARSCHUWING

Wijst op een mogelijks gevaarlijke situatie die, als ze niet wordt voorkomen, dodelijk kan zijn of ernstige verwondingen kan veroorzaken.

⚠ LET OP

Wijst op een mogelijks gevaarlijke situatie die, als ze niet wordt voorkomen, kleine of middelmatige verwondingen kan veroorzaken.

LET OP

Zonder veiligheidswaarschuwingssymbool
Wijst op een situatie die kan leiden tot materiële schade.

SYMBOLLEN IN DEZE GEBRUIKSAANWIJZING



Met een contactdoos verbinden



Trek uit de contactdoos



Onderdelen of accessoires afzonderlijk verkocht



Opmerking



Waarschuwing



Vergrendeling



Ontgrendelen

PROBLEEMOPLOSSEN

PROBLEEM	REDEN	ACTIE
Motor draait niet.	De overbelastingsbeveiliging heeft gewerkt.	Wacht tot de motor is afgekoeld, druk dan op de resetknop van de overbelastingsbeveiliging. Schakel het product opnieuw in.
	Stroompanne	Controleer de voedingskabel, de stekker en de huiszekering.
	De opvangbak is niet in het product geplaatst en/of de veiligheidsschakelaar is niet geactiveerd.	Plaats de opvangbak en breng dan de veiligheidsschakelaar omhoog om deze te activeren.
Materiaal dat moet worden verhaakseld, wordt niet ingetrokken.	Het materiaal zit vast in de voedingstunnel.	Volg de instructies in de gebruiksaanwijzing om obstructies te verwijderen.
	Verhaakselplaat bevindt zich te ver van het snijmechanisme.	Volg de instructies in de gebruiksaanwijzing om de schuurplaat af te stellen.

Segurança, desempenho e fiabilidade foram as prioridades na conceção da trituradora silenciosa eléctrica.

USO PREVISTO

O triturador eléctrico silencioso destina-se a ser utilizado ao ar livre, numa posição imóvel, por um operador com os pés assentes directamente no chão.

O produto foi concebido para fazer a redução de materiais residuais orgânicos de jardim, como por exemplo, ramagens, raminhos e folhagem.

O produto não se destina a material não-orgânico, metais ou outros materiais que ultrapassam a capacidade de corte máxima de 45 mm de diâmetro.

O produto deve ser montado no suporte e deve ser utilizado com o recipiente de recolha fornecido. O dispositivo não deve ser montado de qualquer outro modo que não o exibido neste manual.

Não a use para nenhuma outra finalidade.

NORMAS GERAIS DE SEGURANÇA

⚠ ADVERTÊNCIA

O produto não deve ser utilizado por crianças nem por pessoas com capacidades físicas, mentais ou sensoriais reduzidas. Assegure-se de que as crianças se encontram vigiadas em o todo momento, por outra pessoa que não o operador da máquina, e que não brincam perto da máquina.

⚠ ADVERTÊNCIA

Ao utilizar o dispositivo deve adoptar medidas básicas de segurança para reduzir o risco de incêndio, choque eléctrico e lesões. Antes de manipular este produto, Lea atentamente as instruções de segurança. Assegure-se que conhece os controlos e sabe como operar o aparelho em segurança. Guarde as instruções para usá-las no futuro.

FORMAÇÃO

- Antes de tentar utilizar o produto, familiarize-se com o manual de instruções.

- Nunca permita que crianças ou pessoas que não estejam familiarizadas com estas instruções utilizem o produto. A legislação local pode restringir a idade do operador.
- O operador ou o utilizador do produto é responsável por acidentes ou perigos que ocorram a outras pessoas ou propriedade.

PREPARAÇÃO

- Nunca utilize o produto nas imediações de transeuntes, em especial, crianças e animais de estimação.
- Nunca utilize o produto em condições meteorológicas adversas ou quando existir o risco de trovoadas.
- Use protecção auditiva e óculos de segurança em todo o momento durante o uso da máquina.
- Durante a utilização do produto, use sempre calçado grosso (antiderrapante) e calças compridas. Evite usar roupa larga ou com cordões ou laços. Não utilize o produto descalço ou com sandálias abertas.
- Utilize o produto apenas em espaços abertos (por exemplo, não utilize junto a uma parede ou objeto fixo) e numa superfície firme e nivelada.
- Não ponha a máquina funcionar numa superfície pavimentada ou com gravilha onde o material ejectado possa causar lesões.
- Antes de utilizar o produto, verifique se todos os parafusos, porcas e outros fixadores estão devidamente fixos e se as proteções e recipiente de recolha estão instalados. Devolva o aparelho a um centro de assistência autorizado para substituir etiquetas danificadas ou ilegíveis.
- Antes de utilizar, verifique se existem sinais de danos ou envelhecimento no cabo de extensão e na tomada. Se o cabo ficar danificado durante a utilização, desconecte imediatamente o cabo da tomada. Não toque no cabo antes de o desligar da corrente. Não utilize a máquina se o cabo estiver danificado ou gasto.

SEGURANÇA ELÉCTRICA

- Leia estas instruções de segurança com atenção antes de ligar o produto à alimentação eléctrica.



- Antes de ligar, certifique-se de que a tensão do seu fornecimento elétrico corresponde à indicada na placa de classificação. O fabricante recomenda que ligue a uma tomada de parede protegida com um RCD com uma corrente de disparo não superior a 30 mA.
- A ligação do dispositivo a qualquer outra fonte de alimentação pode causar danos.
- Se o cabo de alimentação estiver danificado, este tem que ser substituído pelo fabricante, o seu agente de assistência ou por pessoas similarmemente qualificadas a fim de evitar um perigo.
- Se necessitar utilizar um cabo de prolongamento assegure-se de que é adequado para usá-lo no exterior e de que tem uma capacidade de corrente suficiente para a sua ferramenta. O cabo de prolongamento deverá levar a marca “H05 RN-F” ou “H05 VV-F”. Antes de cada utilização inspecione o dispositivo para verificar a existência de danos; desembarace sempre o cabo durante a utilização porque os cabos enrolados podem sobreaquecer. Os alargadores não devem ser reparados, devem ser substituídos por outros que sejam equivalentes.
- Mantenha os cabos de extensão afastados de peças perigosas de modo a evitar danos nos mesmo, o que pode conduzir ao contacto com peças energizadas.

AVISOS DE SEGURANÇA DO TRITURADOR

MONTAGEM

- Durante a preparação do produto para utilização, certifique-se de que o mesmo estão fixo para não tombar. *Ver a página 197.*

UTILIZAÇÃO

- Antes de arrancar a máquina, comprove a câmara de alimentação para assegurar-se de que está vazia.
- Mantenha a sua cara e corpo longe da abertura de alimentação.
- Não permita que as mãos ou qualquer outra parte do corpo ou a roupa aceda ao interior da câmara de alimentação, tubo de descarga, ou esteja perto de qualquer

parte móvel.

- Assegure-se sempre do seu equilíbrio. Fique sempre bem apoiado nas pernas e não estique demasiado o braço. Não se aproxime em demasia. Não pare num nível superior à base da máquina quando estiver a introduzir material nela. Tenha cuidado quando utilizar o produto em plano inclinado. Ande e nunca corra.
- A utilizar o produto, mantenha sempre a distância em relação à zona de descarga.
- Quando estiver a alimentar a máquina com material, tenha especial cuidado em não incluir peças de metal, pedras, garrafas, latas ou outros objectos estranhos.
- Se o mecanismo de corte atingir quaisquer objetos estranhos, ou se o produto começar a fazer ruídos estranhos ou vibrações anormais, desligue o produto e deixe os cortadores pararem completamente. Desligue o dispositivo da alimentação elétrica e siga os passos que se seguem:
 - inspeccionar os danos;
 - verifique e aperte as peças soltas;
 - As peças danificadas devem ser substituídas ou reparadas com peças originais RYOBI
- Não permita a acumulação de material processado na manga de descarga, dado que isto pode impedir uma descarga adequada e provocar um ressalto no material através da abertura de admissão.
- Se o produto ficar obstruído, desligue-o e permita que os cortadores parem por completo. Desligue o dispositivo da alimentação elétrica antes de limpar os resíduos.
- Nunca utilize o produto se as proteções, tampas, recipiente de recolha ou outros dispositivos de segurança apresentarem defeitos, não estejam instalados e não se encontrem em bom estado de funcionamento.
- Se o processo de corte der origem a pó, utilize uma máscara adequada de modo a evitar problemas respiratórios.
- Não mova ou transporte o produto com o motor em funcionamento.
- Desligue o produto e desconecte-o da fonte de alimentação. Certifique-se de que todas as peças em movimento param completamente:



- antes de deixar o produto desacompanhado
- antes de desobstruir bloqueios
- antes de fazer verificações, limpeza ou manutenção ao produto.

- Não incline o dispositivo com o motor em funcionamento.
- Nunca modifique peças do produto nem utilize peças não recomendadas pela RYOBI, uma vez que pode aumentar o risco de ferimentos graves a si próprio ou a terceiros.
- Assegure-se sempre que as aberturas de ventilação não está bloqueadas por resíduos; caso contrário, o motor pode sobreaquecer e danificar o dispositivo ou aumentar o risco de incêndio.
- Desligue imediatamente o produto e desligue da corrente elétrica em caso de acidente ou avaria. Não volte a operar o produto enquanto não tiver sido totalmente verificado por um centro de assistência autorizado.
- Desligue o produto antes de colocar ou retirar o recipiente de recolha.

⚠ ADVERTÊNCIA

O uso prolongado de uma ferramenta pode causar o agravar lesões. Ao usar qualquer ferramenta durante períodos prolongados, assegure-se que faz intervalos regulares.

TRANSPORTE E ARMAZENAMENTO

- Assegure-se que o produto foi bem limpo antes de o guardar num local limpo, seco e fora do alcance de crianças.
- Deixe o dispositivo arrefecer antes de o guardar ou transportar.
- Para o transporte, segure o produto para não se mover nem cair e evitar assim lesionar alguém ou danificar o produto.

MANUTENÇÃO

Antes de fazer limpeza, inspeção ou manutenção ao produto, desligue o produto, deixe os cortadores pararem completamente e desencaixe a ficha da tomada de rede elétrica. Depois de algum tempo de trituração, o mecanismo de corte vai ficar quente. Deixe arrefecer antes de limpar, inspecionar ou

ajustar.

⚠ ADVERTÊNCIA

As lâminas são extremamente afiadas. Para evitar ferimentos, exerça extremo cuidado e cautela ao limpar e trabalhar perto das lâminas ou no interior da estrutura aberta com o recipiente de recolha retirado. Use sempre luvas de proteção.

- Tenha atenção porque os meios de corte podem mover-se mesmo com a eletricidade desligada ou se o interruptor de intertravamento estiver ativado.
- Para garantir o melhor desempenho do produto, este deve ser mantido limpo.
- Limpe sempre o produto imediatamente após a utilização. Sempre que possível, use uma escova dura no interior das calhas de alimentação e de descarga e um pano seco no exterior do produto.
- Não permita que o material fique seco e duro em qualquer das superfícies do produto, mas, particularmente, nas lâminas. Isto irá afetar diretamente o desempenho de corte.
- Certifique-se de que a conduta de alimentação e de ejeção são mantidas limpos e sem resíduos.
- Assegure-se de que todos os pernos, porcas e parafusos (exceto o parafuso de regulação) estão apertados e firmes.
- As peças danificadas ou desgastadas devem ser sempre reparadas ou substituídas por pessoal qualificado num centro de assistência Ryobi aprovado.
- Nunca tente contornar os dispositivos de bloqueio no recipiente de recolha ou a tampa frontal do conjunto de cortadores.

⚠ ADVERTÊNCIA

Nunca, em qualquer momento, deixe que fluidos de travagem, gasolina, produtos petrolíferos, óleos de perfuração, etc., entrem em contacto com as peças de plástico. Nunca limpe com líquido de travões, produtos à base de gasolina ou solventes. A maioria dos plásticos é susceptível de sofrer danos de vários tipos de solventes comerciais e podem ser danificados pelo seu uso.



EN
FR
DE
ES
IT
NL
PT
DA
SV
FI
NO
RU
PL
CS
HU
RO
LV
LT
ET
HR
SL
SK
BG
UK
TR

- Pode efetuar as tarefas de manutenção que se descrevem neste manual. Para outras reparações ou conselhos, obtenha assistência de um centro de assistência da RYOBI.

AJUSTE DA PLACA DE RASPAGEM

- Seguindo estes passos, alcançará o máximo rendimento do produto. Antes de usá-lo, verifique sempre que as lâminas não estão em contacto com a placa inferior da unidade de barbear. Para o seu máximo rendimento, deixe um espaço de 1mm entre as lâminas e a placa inferior.
- Se o produto falhar, a placa inferior pode necessitar ajuste ou as lâminas precisam de ser afiadas.
- Com o tempo, as lâminas do produto precisarão de ajustes. Ajuste a placa inferior para que entre em contacto com as lâminas. Certifique-se de que o produto está ligado e a funcionar na direção para a frente normal. Ajustar a placa de aparar com o motor desligado pode resultar em danos graves no produto.

NOTA: Só se deve tentar ajustar a placa de raspagem quando considerado totalmente necessário. Ajustar a placa de aparar com demasiada frequência ou distância pode fazer com que o produto deixe de trabalhar.

- Com o produto em funcionamento, rode o botão de ajuste para a direita.
- Quando ouvir um ruído de contacto metálico ou ver pequenas aparas de alumínio no frondo do recipiente de recolha, pare o ajuste e deixe o produto funcionar durante 30 segundos para afiar as lâminas. Depois de concluir a afiação, rode o botão de ajuste para a esquerda até deixar de estar em contacto com a placa de aparar, deixando um espaço de 1 mm.

NOTA: Afiar as lâminas requiere um contacto muito suave com a placa inferior. Qualquer ajuste deve ser feito lentamente para evitar danificar o produto. Se a placa inferior for excessivamente ajustada, pode causar danos importantes no produto.

RISCOS RESIDUAIS

Mesmo quando se utiliza o produto segundo as instruções, continua a ser impossível eliminar por completo certos fatores de risco residuais. Podem surgir os seguintes riscos

durante o uso e o operador deve prestar especial atenção para evitar o seguinte:

- Lesões devido ao ruído
 - Use proteção para os ouvidos e limite o tempo de exposição
- Lesão causada pela inalação de poeira e partículas
 - Quando necessário, use máscara para poeiras, com filtro.
- Prejuízo causado pelo contato com os meios de corte
 - Mantenha as partes desprotegidas do corpo afastadas do mecanismo de corte em todos os momentos.

REDUÇÃO DO RISCO

Foi reportado que as vibrações das ferramentas de mão podem contribuir para uma doença designada de Síndrome de Raynaud em determinados indivíduos. Os sintomas podem incluir formigueiro, entorpecimento e empalidecimento dos dedos, habitualmente visível aquando da exposição ao frio. Estima-se que os factores hereditários, exposição ao frio e humidade, dieta, tabagismo e práticas de trabalho contribuem todos para o desenvolvimento destes sintomas. Existem medidas que podem ser tomadas pelo operador para possivelmente reduzir os efeitos da vibração:

- Mantenha o seu corpo quente durante o tempo frio. Ao operar o produto, use luvas para manter as mãos e os pulsos quentes. Encontra-se reportado que o tempo frio é um grande factor que contribui para o Síndrome de Raynaud.
- Após cada período de operação, exercite para aumentar a circulação sanguínea.
- Faça pausas frequentes no trabalho. Limite o tempo de exposição por dia.

Caso sinta algum dos sintomas desta doença, interrompa de imediato a sua utilização e consulte o seu médico sobre estes sintomas.

⚠ ADVERTÊNCIA

O uso prolongado de uma ferramenta pode causar o agravar lesões. Ao usar qualquer ferramenta durante períodos prolongados, assegure-se que faz intervalos regulares.



CONHEÇA O SEU APARELHO

Ver a página 196.

1. Interruptor Iniciar
2. Interruptor Parar
3. Interruptor Marcha-atrás
4. Botão de reposição do dispositivo de proteção de sobrecarga
5. Manga de alimentação
6. Manipulo
7. Botão de ajuste da placa de aparar
8. Roda
9. Recipiente de recolha
10. Interruptor de segurança
11. Êmbolo do material

NOTA: Ao puxar o interruptor de segurança para cima depois de inserir o recipiente de recolha no produto, ativa o interruptor de segurança.

GUIA DE CORTE

Para obter os melhores resultados ao aparar siga as instruções que se mostram na tabela abaixo.

MATERIAL	MÉTODO DE CORTE
Galhos até 6 mm de diâmetro.	Contribuir para a calha de alimentação a uma taxa que o produto venha a aceitar, sem sobrecarregar.
Ramos até 45 mm de diâmetro.	Corte todo o crescimento lateral com tesouras de podar antes da alimentação na calha de alimentação.
Plantas de canteiro, ervas e arbustos.	Desfaça terra e afaste pedras das raízes para evitar danos nas lâminas.
Varas secas e galhos	Ao inseri-los no final da sua tarefa de trituração, irá ajudar a limpar a humidade e seiva da planta de dentro do produto e do conjunto de corte.

- Não permita a acumulação de resíduos no jardim antes de iniciar a operação de corte, dado que estes darão início à decomposição, ficarão húmidos e entupirão o conjunto de corte. O material

seco ajudará a maior parte do material a sair da manga de ejeção. Guarde alguns paus secos até ao fim para ajudar a limpar a área da lâmina.

- Vigie frequentemente a acumulação/recolha de material cortado.
- A saída do tubo de descarga deve ser limpa em todos os momentos para evitar obstruções.
- Quando o recipiente de recolha estiver cheio, desligue o produto antes de esvaziar.

⚠ ADVERTÊNCIA

Não coloque as mãos no interior da zona de descarga do triturador para retirar qualquer material triturado enquanto o produto estiver ativo ou ligado à corrente elétrica. As lâminas estão afiadas. Use luvas de proteção e tenha muito cuidado ao limpar e desbloquear.

⚠ ADVERTÊNCIA

Ao alimentar ramos/caules compridos no dispositivo tenha cuidado com os açoites e vibrações produzidos à medida que estes são apanhados pelo cortador. O operador deve usar óculos de proteção sempre que utilizar o produto.

⚠ ADVERTÊNCIA

O dispositivo de corte tem tendência para puxar os ramos/caules para o aparelho. Não tente impedir a admissão de material em corte quando a alimentação se iniciar. Use sempre luvas para evitar lacerações na pele ao contactar o material com o produto.

NOTA: Durante a preparação do produto para utilização, certifique-se de que o mesmo estão fixo para não tombar (ver página 197, passo 2 - 6).

NOTA: Durante a utilização normal, não desligue o produto sem que todo o material triturado tenha sido retirado do conjunto de cortadores. Se o produto for desligado demasiado rapidamente, os pedaços de material restantes podem obstruir o conjunto de lâminas e parar o motor quando o produto for ligado novamente.

SÍMBOLOS NO PRODUTO



Leia e compreenda todas as instruções antes de manipular o produto, respeite os alertas e as instruções de segurança.



Tenha cuidado com os objectos voláteis ou lançados. Mantenha todos os espectadores, especialmente crianças e animais de estimação, a pelo menos 15 m da área de funcionamento.



Perigo - lâminas rotativas. Mantenha as mãos e os pés afastados das aberturas enquanto o aparelho está em funcionamento.



Desligue e retire a ficha da tomada antes de realizar qualquer tarefa de manutenção ou se o cabo de alimentação estiver danificado.



Utilize protecção ocular e auditiva.



Não utilize como degrau.



Espera até que todos os componentes da máquina tenham parado completamente antes de lhes tocar.



Use luvas de trabalho resistentes, antideslizantes.



Esta ferramenta obedece a todas as normas regulamentares do país da UE onde foi comprada.



Marca de conformidade EurAsian



Marca de conformidade ucraniana



O melhor nível de potência sonora é de 102 dB



Classe II: A protecção contra descargas eléctricas baseia-se no duplo isolamento ou no isolamento reforçado.

Os aparelhos eléctricos antigos não devem ser eliminados juntamente com o lixo doméstico. Recicle onde existem instalações para o efeito. Verifique com as suas Autoridades Locais ou revendedor para obter informações sobre reciclagem.



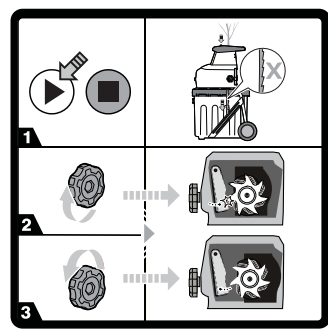
Iniciar



Parar



Recuo



Se o produto não cortar o material, a placa de aparar pode precisar ser ajustada.

1. Ligue o aparelho.
2. Rode o botão de ajuste da placa de aparar para a direita até ouvir o som de contacto de metal com metal ou vir aparas de alumínio na parte inferior do recipiente de recolha.
3. Após 30 segundos, rode o botão para a esquerda até que a placa de aparar tenha uma distância de 1 mm das lâminas.

SÍMBOLOS NESTE MANUAL



Ligar à tomada de corrente



Desligar da tomada de corrente



As peças ou acessórios vendem-se separadamente



Nota



Aviso



Bloqueio



Abrir



Mantenha as mãos afastadas das lâminas.

As seguintes palavras de sinal e significados destinam-se a explicar os níveis de risco associados a este produto.

PERIGO

Indica uma situação perigosa iminente, que, se não evitada, poderá resultar em morte ou ferimentos graves.

ADVERTÊNCIA

Indica uma situação potencialmente perigosa, que, se não evitada, poderá conduzir à morte ou graves lesões.

ADVERTÊNCIA

Indica uma situação potencialmente perigosa, que, se não evitada, poderá resultar em pequenas ou moderadas lesões.

ADVERTÊNCIA

Sem símbolo de alerta de segurança

Indica uma situação que pode resultar em danos de propriedade.

RESOLUÇÃO DE PROBLEMAS

PROBLEMA	CAUSA	ACÇÃO
O motor não funciona.	O dispositivo de proteção de sobrecarga foi acionado.	Espere que o motor arrefeça e prima o botão de reposição do dispositivo de proteção de sobrecarga. Ligue o produto novamente.
	Falha de energia	Verifique o cabo de alimentação elétrica, a ficha e o fusível.
	O recipiente de recolha não está inserido no produto e/ou o interruptor de segurança não foi ativado.	Insira o recipiente de recolha e, em seguida, puxe o interruptor de segurança para cima para ativá-lo.
O material a ser cortado não é atraído para dentro.	Existe material preso no funil de alimentação.	Para limpar obstruções, siga o manual de instruções.
	A placa de aparar está muito longe dos meios de corte.	Para ajustar a placa inferior, siga o manual de instruções.

Sikkerhed, lydelse og driftssikkerhed har fået topprioritet i designet af din elektriske lydløse kompostkværn.

TILTÆNKT ANVENDELSESFORMÅL

Den elektriske støjfri kompostkværn er beregnet til udendørsbrug i en stationær stilling betjent af en operatør, der står på jorden.

Produktet er designet til at neddele biologisk haveaffald i form af grene, kviste og blade.

Produktet er ikke beregnet til uorganisk materiale, metal eller generelt materiale, som overskrider kapaciteten på 45 mm i diameter.

Produktet skal være monteret på det medfølgende stativ og skal bruges sammen med den samletønde, der medfølger. Må ikke monteres på anden måde end den, der er vist i denne brugsanvisning.

Må ikke bruges til andre formål.

GENERELLE SIKKERHEDSREGLER

⚠ ADVARSEL

Produktet er ikke beregnet til at blive benyttet af børn eller personer med nedsatte fysiske, mentale eller sensoriske evner. Mindre børn skal være under konstant opsyn af en anden person end operatøren for at sikre, at de ikke leger i nærheden af eller med produktet.

⚠ ADVARSEL

Ved brug af produktet bør man følge de grundlæggende sikkerhedsregler for at reducere risikoen for brand, elektrisk stød og personskade. Læs alle disse sikkerhedsinstruktioner nøje, inden produktet benyttes. Sørg for at blive fortrolig med betjeningselementerne samt korrekt og sikker brug af produktet. Disse sikkerhedsregler skal opbevares med henblik på senere brug.

UDDANNELSE

- Sæt dig ind i instruktionerne inden forsøg på at betjene produktet.
- Lad aldrig børn eller personer uden kendskab til denne brugsanvisning bruge produktet. Lokale love kan have indflydelse på den tilladte brugeralder.

- Operatøren eller brugeren af produktet er ansvarlig for ulykker eller farer påført andre personer eller deres ejendom.

FORBEREDELSE

- Brug aldrig produktet i nærheden af tilskuere, især børn og kæledyr.
- Brug aldrig produktet i dårligt vejr, eller når der er risiko for tordenvejr.
- Bær altid høreværn og sikkerhedsbriller under anvendelse af maskinen.
- Bær altid ordentligt (skridsikkert) fodtøj og lange bukser, mens produktet betjenes. Undgå at bære løstsiddende tøj eller frit hængende snører eller slips. Betjen ikke produktet med bare tæer eller ved brug af åbne sandaler.
- Brug kun produktet under åben himmel (f.eks. ikke for tæt på en væg eller en fast genstand) og på en fast jævn overflade.
- Maskinen må ikke anvendes på en stenlagt eller grusoverflade, hvor udslyngt materiale kan forårsage personskader.
- Kontroller inden start af produktet, at alle skruer, møtrikker, bolte og andre fastgørelser er anbragt forsvarligt, og alle afskærmninger og samletønden er på plads. Indleveres på et autoriseret servicecenter med henblik på erstatning af beskadigede eller ulæselige mærkater.
- Inden ibrugtagning skal du kontrollere strømforsynings- og forlængerledninger for tegn på skader eller ældning. Hvis en ledning bliver beskadiget under brug, skal man straks trække stikket ud af lysnetkontakten. Undlad at røre ved kablet, før der er slukket for strømmen. Undlad at bruge maskinen, ledningen er beskadiget eller slidt.

ELEKTRISK SIKKERHED

- Disse sikkerhedsanvisninger skal læses grundigt igennem, inden produktet sluttes til lysnettet.
- Kontroller inden start af produktet, at spændingen på din elforsyning er den samme som den, der er angivet på typeskiltet. Producenten anbefaler, at du benytter en stikkontakt, der er beskyttet af en RCD med en udløserstrøm på højst 30 mA.
- Tilslutning til andre strømkilder kan

medføre skader.

- Hvis elledningen beskadiges, skal den udskiftes af producenten, dennes serviceforhandler eller tilsvarende autoriserede personer for at undgå farlige situationer.
- Hvis man skal bruge en forlængerledning, skal man sikre sig, at den er velegnet til udendørs brug og har en mærkekapacitet, der er tilstrækkelig til at forsyne værktøjet. Forlængerledningen skal være mærket med enten "H05 RN-F" eller "H05 VV-F". Kontrolleres for skader inden ibrugtagning; skal altid være rullet ud under brug, da oprullede ledninger kan blive overophedet. Beskadigede forlængerkabler må ikke repareres, men skal udskiftes med en tilsvarende type.
- Hold forlængerledninger på afstand af farlige dele i bevægelse for at undgå beskadigelse af ledninger, der kan medføre kontakt med strømførende dele.

KOMPOSTKVÆRNENS SIKKERHEDSADVARSLER

MONTERING

- Under klargøring af produktet til brug, skal du sørge for, at produktet er fastgjort, så det ikke vælter. *Se side 197.*

VEKSELSTRØM

- Inden man starter maskinen, skal man sikre sig, at fødekammeret er tomt.
- Undgå at have ansigt og krop i nærheden af fødeåbningen.
- Hænder eller lemdele i øvrigt eller beklædningsgenstande må aldrig komme ind i fødekammeret, udkastslisen eller nær andre bevægelige maskindele.
- Sørg altid for at have godt fodfæste. Sørg for altid at have godt fodfæste og god balance. Overstræk ikke. Stå aldrig på et højere niveau end maskinens underdel, når der fødes materiale ind i den. Vær forsigtig ved betjening af produktet på skråninger. Gå, løb aldrig.
- Hold altid afstand til udkastningszonen ved betjening af produktet.
- Når man føder materiale ind i maskinen, skal man passe meget på, at der ikke medfølger stykker af metal, sten, flasker, dåser eller fremmedlegemer.

- Hvis skæremekanismen rammer fremmedlegemer, eller hvis kompostkværnen begynder at lave usædvanlig støj eller vibration, skal du slukke for maskinen og lade klingerne standse fuldstændigt. Produktet skal afbrydes fra strømforsyningen, og man skal gøre som følger:
 - inspicér for skader
 - kontrollér og efterspænd evt. løse dele
 - Evt. beskadigede dele skal repareres eller udskiftes med originale RYOBI-reservedele
- Sørg for, at der ikke ophobes bearbejdet materiale i udkastskakten; dette kan forhindre korrekt udkastning eller tilstopning og kan medføre, at der kastes materiale tilbage gennem fødeåbningen.
- Hvis produktet bliver tilstoppet, så sluk for produktet, og lad klingerne falde helt til ro. Produktet skal afbrydes fra strømforsyningen inden rengøring.
- Betjen aldrig produktet, hvis afskærmninger, dæksler, samletønder eller andre sikkerhedsanordninger er fejlbehæftede, ikke på plads og ikke i god driftsmæssig stand.
- Hvis der dannes støv under kværneprocessen, skal man benytte passende støvmaske for at beskytte åndedrætsorganerne.
- Undlad at flytte eller transportere produktet med kørende motor.
- Sluk produktet, og kobl det fra strømforsyningen. Kontrollér, at alle bevægelige dele er standset fuldstændigt:
 - før du går fra produktet
 - før rydning af en blokering
 - inden kontrol, rengøring eller vedligeholdelse af kompostkværnen.
- Undlad at vippe produktet, mens motoren kører.
- Foretag aldrig ændringer på produktet, og brug ikke dele, der ikke er anbefalet af RYOBI.
- Sørg altid for, at ventilationsåbninger holdes fri for snavs; ellers kan motoren blive overophedet, hvilket kan medføre beskadigelse af produktet eller øge risikoen for brand.
- Dette kan medføre risiko for alvorlig

personskade på dig selv eller andre. Betjen ikke produktet igen, før det er blevet kontrolleret fuldstændigt af et godkendt servicecenter.

- Sluk straks for produktet, og tag ledningen ud af stikkontakten i tilfælde af ulykke eller nedbrud.

⚠ ADVARSEL

Længere tids brug af et værktøj kan forårsage - eller forværre - personskader. Når man bruger et værktøj i længere perioder ad gangen, skal man huske at holde hyppige pauser.

TRANSPORT OG OPBEVARING

- Sørg for, at produktet er blevet grundigt rengjort, før det opbevares på et rent, tørt sted og sikret utilgængeligt for børn.
- Lad produktet køle tilstrækkeligt af inden opbevaring eller transport.
- Til transport skal man sikre produktet, så den ikke kan bevæge sig eller vælte; dette for at forebygge personskader eller skader på produktet.

VEDLIGEHOLDELSE

Sluk for produktet inden fastgørelse eller fjernelse af opsamlingsstønden. Når man har brugt kværnen et stykke tid, vil skæremekanismen blive varm. Lad den køle tilstrækkeligt af inden påbegyndelse af rengøring, inspektion eller justering.

⚠ ADVARSEL

Knivene er ekstremt skarpe. Sluk for produktet inden rengøring, eftersyn eller servicering, og lad klingerne stoppe fuldstændig, og slå strømmen fra. Bær altid kraftige beskyttelseshandsker.

- Vær opmærksom på at knivene stadig kan bevæge sig, selv om strømmen er afbrudt, eller hvis interlock-kontakten er aktiveret.
- Af hensyn til bedst mulig produktydelse skal det holdes rent.
- Produktet skal altid rengøres umiddelbart efter brug. Brug så vidt muligt en stiv børste inde i føde- og udkast-slisken og en tør klud på produktets yderside.

- Undgå personskade ved at udvise ekstrem forsigtighed og omhu ved rengøring eller arbejde i nærheden af klinger eller inde i det åbnede aflukke, når opsamlingsstønden er fjernet. Dette har en umiddelbar påvirkning af kværneydelsen.

- Sørg for, at fødeskakten og udkastslisken altid holdes rene og fri for affaldsmateriale.

- Lad ikke materiale blive tørt på nogen af produktets overflader, men især på klingerne.

- Sørg for, at alle møtrikker, bolte og skruer (undtagen justeringskruen) er fastspændte og sikre.

- Evt. beskadigede eller slidte dele skal altid repareres eller udskiftes af kvalificeret personale på et godkendt Ryobi-servicecenter.

⚠ ADVARSEL

Sørg for, at bremsevæske, benzin, petroleumsbaserede produkter, penetreringsolie, mv., aldrig kommer i kontakt med plastdele. Forsøg aldrig at omgå blokeringskontakter på opsamlingsstønden eller på frontdækslet på klingeeenheden. De fleste typer plastic kan tage skade ved brug af forskellige opløsemidler.

- Man kan udføre de vedligeholdelsesarbejder, der er beskrevet i denne brugsanvisning. Brug aldrig bremsevæske, benzin, petroleumsbaserede produkter eller kraftige opløsningsmidler til rengøring af produktet.

JUSTERING AF TRYKPLADEN

- Hvad angår andre reparationer eller råd, søg assistance fra et godkendt RYOBI servicecenter. Produktets ydelse er bedst, når man følger disse trin. Før brug skal man altid kontrollere, at knivene ikke er i kontakt med modpladen.

- For at opnå optimal ydeevne skal man holde en afstand på 1 mm mellem knivene og modpladen.

- Hvis produktet ikke magter at kværne materialet, kan det skyldes, at modpladen skal justeres, eller at knivene skal slibes. Efterhånden skal produktets knive justeres. Dette kan gøres ved at justere modpladen,



så den lige netop er i kontakt med knivene. Kontroller, at produktet er tændt og fungerer i normal fremadgående retning.

BEMÆRK: Man bør kun forsøge at justere trykpladen, hvis dette skønnes strengt nødvendigt. Justering af slibepladen, mens motoren er slukket, kan medføre alvorlig skade på produktet.

- Justering af slibepladen for ofte eller for langt, kan forårsage, at produktet holder op med at fungere.
- Drej justeringsgrebet med uret, mens produktet kører. Når man hører metal-mod-metal-kontakt eller ser fine aluminiumspåner i bunden af opsamlingsbeholderen, skal man stoppe justeringen og lade produktet køre i 30 sekunder for at slibe knivene.

BEMÆRK: Når skærpningsen er afsluttet, skal justeringsgrebet drejes mod uret, til det ikke længere er i berøring med slibepladen og efterlader et mellemrum på 1 mm. Slibning af knivene kræver meget fin kontakt med modpladen. Evt. justeringen skal udføres langsomt, så man undgår at beskadige produktet.

UUNDGÅELIGE RISICI

Selv om produktet anvendes som foreskrevet, er det stadig umuligt at eliminere visse uundgåelige risikofaktorer fuldstændigt. Følgende risici kan opstå under brug, og operatøren bør være særligt opmærksom for at undgå følgende:

- Personskader forårsaget af støj
 - Benyt høreværn, og begræns eksponering
- Personskade som følge af inhalering af støv og partikler
 - Overjustering af pladen kan forårsage alvorlige skader på produktet.
- Brug støvmaske med filter, når det er nødvendigt.
 - Personskade som følge af kontakt med skærende dele

RISIKOREDUKTION

Der er rapporteret om, at vibrationer fra håndholdte værktøjer kan være medvirkende til en lidelse kaldet Raynauds syndrom hos

visse personer. Symptomerne herpå kan være prikken, følelsesløshed og blegning af fingrene, der normalt viser sig ved kuldepåvirkning. Faktorer som arvelighed, udsættelse for kulde og fugt, kost, rygning og arbejdsvaner menes alle at medvirke til udviklingen af disse symptomer. Der findes forholdsregler, som operatøren kan træffe for at begrænse påvirkningen fra vibrationer:

- Hold kroppen varm i koldt vejr. Brug handsker, så hænder og vriste holdes varme under arbejdet. Der er rapporteret om, at koldt vejr er en væsentlig faktor til Raynauds syndrom.
- Motionér efter hver arbejdsperiode for at øge blodcirkulationen.
- Hold hyppige arbejdspauser. Begræns eksponeringen for vibrationer pr. dag.

Hvis du mærker nogen af symptomerne på denne tilstand, skal du straks ophøre med arbejdet og søge læge.

⚠ ADVARSEL

Længere tids brug af et værktøj kan forårsage - eller forværre - personskader. Når man bruger et værktøj i længere perioder ad gangen, skal man huske at holde hyppige pauser.

KEND PRODUKTET

Se side 196.

1. Ubeskyttede kropsdele skal altid holdes på afstand af skæremekanismen.
2. Startkontakt
3. Stopkontakt
4. Tilbagekontakt
5. Fødeskakt
6. Håndtag
7. Justeringsknap for spalteplade
8. Hjul
9. Overbelastningsbeskyttelsens nulstillingsknap
10. Opsamlingsstønde
11. Sikkerhedskontakt

BEMÆRK: Materialestopper



KVÆRNE-GUIDE

For bedste resultater med kværnen skal man følge retningslinjerne i nedenstående tabel.

MATERIALE	KVÆRNETMETODE
-----------	---------------

Hvis der trækkes op i sikkerhedskontakten efter indsætning af opsamlingsstønden i produktet, bliver sikkerhedskontakten aktiveret.

Materialet skal kommes i fødeskakten i en hastighed, som produktet kan klare uden at blive overbelastet.

Kviste op til 6 mm diameter.

Vækster beskæres fra alle sider med en beskærersaks, inden de kommes i fødeskakten.

Bedplanter, ukrudt og buskads.

Bank jord og sten af rødderne for ikke at beskadige knivene.

Tørre grene og kviste

Det er en god ide at indsætte disse i slutningen af komposteringsarbejdet, da disse bidrager til at afrense fugt og plantesaft fra produktets indre og skæreenheden.

- Lad ikke haveaffald ligge for længe, inden det kværnes, da det i så fald vil begynde at kompostere, bliver for fugtigt og tilstopper skæreaggregatet. Tørt materiale vil bidrage til at fjerne de fleste typer materialer fra udkastskakten. Gem nogle tørre grene til sidst til at rydde knivområdet.
- Hold hyppigt øje med ophobning/ansamling af kværnet materiale.
- Udkast-slisens åbning skal altid være fri for at forebygge tilstopning.
- Grene op til 45 mm i diameter.

⚠ ADVARSEL

Når opsamlingsstønden er fuld, så sluk for produktet inden tømning. Knivene er skarpe. Benyt kraftige handsker, og udvis ekstrem forsigtighed ved rengøring og rydning af blokeringer/tilstopninger.

⚠ ADVARSEL

Ved fødning af lange træagtige grene/stængler i produktet skal man være opmærksom på pisk og vibrationer, når de indfanges i skæreaggregatet. Operatøren skal benytte øjenværn, hver gang produktet benyttes.

⚠ ADVARSEL

Skæreindretningen har tendens til at trække grene/stængler ind i produktet. Undlad at forhindre fødning af materiale, som skal kværnes, når først fødningen er startet. Man skal altid benytte handsker for at forebygge hudlæsioner, når man kommer materiale i produktet.

BEMÆRK: Under klargøring af produktet til brug, skal du sørge for, at produktet er fastgjort, så det ikke vælter (se side 197, trin 2 - 6).

BEMÆRK: Put ikke dine hænder op inden i kompostkværnens udledningsskakt for at fjerne noget kværnet materiale, mens der er tændt for produktet, eller det er forbundet til netstrømsforsyningen. Sluk ikke for produktet under normal brug, før alt det kværnedede materiale er ryddet fri af skæreenheden.

SYMBOLER PÅ PRODUKTET



Alle vejledninger skal læses og forstås, inden produktet benyttes; følg alle advarsler og sikkerhedsinstrukser.



Pas på udslyngede eller flyvende objekter. Sørg for, at tilskuere (især børn og dyr) er mindst 15 m fra arbejdsområdet.



Fare - roterende knive. Hold hænder og fødder på afstand af åbninger, mens produktet kører.



Hvis der bliver slukket hurtigt for produktet, kan de resterende materialestykker tilstoppe klingeenheden og bremse motoren, når der igen bliver tændt for produktet igen.



Bær øjen- og høreværn.



Må ikke bruges som trappetrin.



Vent, til alle maskindele er fuldstændigt stoppet, inden der røres ved dem.



Brug friktionsfri, kraftige handsker.



Dette redskab overholder alle lovkrav og standarder i det EU-land, hvor det er købt.



EurAsian overensstemmelsesmærke



Ukrainsk overensstemmelsesmærke



Det garanterede lydeffektniveau er 102 dB.



Klasse II: Beskyttelsen mod elektrisk stød beror på dobbelt isolering eller forstærket isolering.



Elektriske affaldsprodukter bør ikke afskaffes sammen med husholdningsaffald. Genbrug venligst hvor faciliteterne tillader dette. Tjek med din lokale kommune eller forhandler for genbrugsråd.



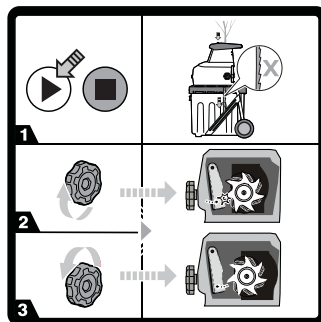
Sluk for og fjern stikproppen fra netstrømmen inden vedligeholdelse, eller hvis ledningen er beskadiget.



Stop



Start



Hvis produktet ikke kværner materialet, kan det være nødvendigt at justere trykpladen.

1. Tænd produktet.
2. Tilbage
3. Drej slibepladens justeringsgreb med uret, til du hører metal mod metal, eller du ser fine aluminiumsspåner i bunden af opsamlingsbeholderen.

SYMBOLER I DENNE BRUGSANVISNING



Tilslut til stikkontakt



Træk stikket ud af stikkontakten



Dele eller tilbehør, der sælges separat



Bemærk



Advarsel



Lås



Oplås



Hold hænderne på afstand af knivene.



De følgende ikoner og betydninger er beregnet til at forklare risikoen involveret i at anvende denne enhed.

 **FARE**

Indikerer en meget farlig situation, som hvis ikke undgås, kan føre til alvorlige skader og i værste fald døden.

 **ADVARSEL**

Indikerer en potentielt farlig situation, som hvis ikke undgås, kan føre til alvorlige skader og i værste fald døden.

 **PAS PÅ**

Indikerer en potentielt farlig situation, som hvis ikke undgås, kan føre til mindre eller moderate skader.

PAS PÅ

Uden sikkerhedsadvarselssymbol

Indikerer en situation, som kan medføre materiel skade.



FEJLFINDER

PROBLEM	ÅRSAG	BETYDNING
Årsag	Motor kører ikke.	Óverbelastningsbeskyttelsen er blevet aktiveret. Vent, til motoren er kølet af. tryk på overbelastningsbeskyttelsens nulstillingsknap.
	Strømsvigt	Tænd for produktet igen.
	Kontroller strømforsyningskablet, stikket og husets sikring.	Opsamlingstønden er ikke indsat i produktet og/eller sikkerhedskontakten er ikke aktiveret.
Indsæt opsamlingstønden, og træk derefter op i sikkerhedskontakten for at aktivere den.	Komposteringsmaterialet trækkes ikke ind.	Materialet har sat sig fast i fødetragten.
	Spaltepladen er for langt fra knivene.	Følg vejledningen i brugsanvisningen til fjernelse af forhindringer.

Säkerhet, prestanda och pålitlighet har alltid varit högsta prioritet vid design av din tysta elektriska kompostkvarn.

ANVÄNDNINGSSOMRÅDE

Den elektriska, tysta kompostkvarnen är avsedd för stationär användning utomhus, av en användare som står på marken.

Enheten är konstruerad för sönderdelning av organiskt trädgårdsavfall, som grenar, kvistar och löv.

Produkten är inte avsedd för icke organiska material, metall eller andra material som överstiger maximal skärdiameter på 45 mm.

Enheten måste monteras på det medföljande stativet och användas med den medföljande uppsamlingsbehållaren. Den får inte monteras på annat sätt än vad som visas i denna bruksanvisning.

Får ej användas för annat ändamål.

GENERELLA SÄKERHETSFORESKRIFTER

⚠ VARNING

Produkten är inte avsedd för användning av barn eller personer med fysiska, mentala eller emotionella funktionshinder. Småbarn måste övervakas hela tiden av någon annan än användaren så att de inte leker i närheten av eller med produkten.

⚠ VARNING

När du använder produkten ska du alltid följa grundläggande säkerhetsföreskrifter för att minska risken för eldsvåda, elektrisk stöt och personskada. Läs noga igenom alla dessa säkerhetsinstruktioner innan produkten används. Se till att du känner väl till reglagen och hur du sköter produkten korrekt och säkert. Förvara instruktionerna på ett säkert ställe för användning vid senare tillfälle.

UTBILDNING

- Läs bruksanvisningen innan du försöker använda enheten.
- Låt aldrig barn eller personer som inte känner till dessa instruktioner använda maskinen. Lokala regler kan åldersbegränsa användningen av

gräsklipparen.

- Operatören eller användaren av enheten är ansvarig för olyckor eller risker som andra människor eller egendom utsätts för.

FÖRBEREDELSE

- Använd inte enheten i närheten av kringvarande, speciellt barn och husdjur.
- Använd aldrig enheten i dåligt väder eller när det finns risk för åska.
- Bär alltid hörselskydd och säkerhetsglasögon medan du hanterar maskinen.
- Använd alltid kraftiga skor (halkskyddade) och långbyxor när du använder enheten. Undvik att bära kläder som sitter löst eller som har hängande bälten och slips. Använd inte enheten barfota eller om du bär sandaler.
- Använd endast enheten på öppna ytor (t.ex. inte i närheten av en vägg eller ett fast föremål) och på en stadig, plan yta.
- Kör inte maskinen på asfalterad eller grusad mark där utskjutet material skulle kunna orsaka skada.
- Kontrollera att alla skruvar, muttrar, bultar och andra fästordningar sitter fast ordentligt innan du startar enheten, samt att skydden och uppsamlingsbehållaren sitter på plats. Lämna produkten till auktoriserat servicecenter för byte av skadade eller oläsliga etiketter.
- Före användning ska kabel och förlängningskabel kontrolleras så att det inte finns tecken på skador eller åldring. Om kabeln skadas under användning ska den kopplas från eluttaget omedelbart. Rör inte vid kabeln innan strömförsörjningen är fränkopplad. Använd inte maskinen om kabeln är skadad eller sliten.

ELEKTRISK SÄKERHET

- Läs noga igenom dessa säkerhetsinstruktioner innan produkten ansluts till eluttag.
- Kontrollera att nätspänningen överensstämmer med angiven spänning på märkplåten innan du startar enheten. Tillverkaren rekommenderar att enheten ansluts till ett eluttag som skyddas av en RCD med en utlösningsspänning som inte överstiger 30 mA.



EN
FR
DE
ES
IT
NL
PT
DA
SV
FI
NO
RU
PL
CS
HU
RO
LV
LT
ET
HR
SL
SK
BG
UK
TR

- Anslutning till annan strömkälla kan orsaka skador.
- Om elkabeln skadas ska den bytas ut av tillverkaren, dess serviceombud eller motsvarande utbildad tekniker för att undvika skaderisker.
- Om du måste använda förlängningskabel ska du kontrollera att den är för utomhusbruk och har kapacitet för att fungera med verktyget. Förlängningskabeln ska vara märkt med antingen "H05 RN-F" eller "H05 VV-F". Kontrollera om det finns skador inför varje användning, rulla ut den under användning eftersom hoprullade kablar kan överhettas. Skadade förlängningskablar får inte repareras, de ska ersättas med motsvarande typ.
- Håll förlängningssladdar borta från rörliga delar för att undvika skada på sladdarna, vilket kan resultera i kontakt med strömförande delar.

SÄKERHETSVARNINGAR FÖR KOMPOSTKVARVEN

MONTERING

- Se till att säkra enheten ordentlig innan användning, så att den inte kan falla omkull. *Se sida 197.*

ANVÄNDNING

- Kontrollera att matarkammaren är tom innan du startar maskinen.
- Håll ansiktet och kroppen borta från matningsöppningen.
- Håll aldrig händer eller andra kroppsdelar eller klädesdelar inuti matarkammaren, utblåsningsröret eller i närheten av någon rörlig del.
- Var försiktig med balansen när du klipper. Ha alltid ett bra fotfäste och en god balans. Sträck dig inte. Stå aldrig på en högre nivå än maskinens bas när du matar in material i den. Var försiktig vid användning av produkten på sluttningar. Gå. Spring aldrig.
- Stå aldrig framför utkastningsområdet när enheten körs.
- När material matas in i maskinen måste man vara extremt försiktig så att metall, sten, flaskor, burkar och andra främmande föremål inte följer med.

- Slå av enheten och låt skärbladen stanna helt om skärmekanismen skulle gå emot ett främmande föremål eller om enheten skulle avge något ovanligt ljud eller vibrationer. Koppla bort produkten från strömkälla och vidta följande åtgärder:
 - inspektera för ev. skador;
 - kontrollera och sätt fast ev. lösa delar;
 - få alla skadade delar utbyttas eller reparerade med äkta RYOBI reservdelar
- Se till att inte bearbetat material ansamlas vid utblåset eftersom det kan förhindra utblåsning och ge kickback av material genom matningsöppningen.
- Stäng av enheten om den skulle bli blockerad, och låt skärbladen stanna helt. Koppla bort produkten från strömkälla innan skräp rensas bort.
- Använd aldrig enheten om skydden, uppsamlingsbehållaren eller andra säkerhetsanordningar är defekta, inte sitter på plats eller är i dåligt skick.
- Om det uppkommer damm vid malningen ska lämplig dammask användas för att undvika risk för andningsskador.
- Flytta eller transportera inte produkten när motorn är igång.
- Stäng av produkten och koppla bort den från elnätet. Se till att samtliga rörliga delar har stannat helt:
 - innan produkten lämnas utan uppsikt
 - före rensning av en blockering
 - före kontroll, rengöring eller underhåll av produkten.
- Luta inte produkten när motorn är igång.
- Modifiera aldrig några delar på produkten eller använd delar som inte rekommenderas av RYOBI, eftersom detta kan innebära risk för allvarlig skada på dig själv och andra.
- Säkerställ alltid att ventilationsöppningarna är rena från skräp; i annat fall kan motorn överhettas vilket kan skada produkten och öka brandrisken.
- Stäng av enheten direkt och koppla ifrån nätströmmen i händelse av olycka eller fel. Använd inte produkten igen innan den har kontrollerats i sin helhet av en auktoriserad serviceverkstad.



- Stäng av produkten innan du sätter fast eller tar bort uppsamlingsbehållaren.

⚠ VARNING

Risk för person- eller slitageskador vid användning av verktyget under lång tid. Om verktyget används under längre perioder krävs regelbundna pauser.

TRANSPORT OCH FÖRVARING

- Se till att produkten är ordentligt rengjord innan den förvaras på en torr, ren plats utom räckhåll för barn.
- Låt produkten svalna ordentligt före transport eller förvaring.
- Vid transport ska produkten säkras mot rörelser eller fallande för att förhindra personskador eller att produkten skadas.

UNDERHÅLL

Före rengöring, inspektion eller underhåll av produkten måste den slås av, skärenheterna stanna helt och strömförsörjningen kopplas från. Efter en tids malning blir skärmekanismen väldigt het. Låt den svalna ordentligt före rengöring, översyn och justering.

⚠ VARNING

Skärbladen är extremt vassa. För att undvika skada, var mycket försiktig vid rengöring av eller arbete i närheten av bladen eller inne i det öppnade höljet när uppsamlingsbehållaren är borttagen. Använd grova skyddshandskar.

- Var uppmärksam på att skärbladen fortfarande kan röras när motorn är av eller om interlockbrytaren är aktiverad.
- För att få bästa möjliga resultat från produkten måste den hållas ren.
- Rengör alltid produkten efter användning. Där det är möjligt ska du använda en styv borste i matningen och utkastet och en torr trasa för produktens utsida.
- Låt inte material torka eller hårdna på någon av produktens ytor, speciellt på bladen. Detta påverkar malningsresultatet direkt.
- Se till att matningen och utkastet är rena och fria från avfallsmaterial.

- Se till att alla muttrar, bultar och skruvar (förutom justeringskruven) är ordentligt åtdragna.
- Se till att alltid reparera eller byta ut skadade och slitna delar med hjälp av utbildad personal på ett godkänt Ryobi servicecenter.
- Försök aldrig kopplaförbiförreglingsbrytarna på uppsamlingsbehållaren eller det främre skyddet på skärenheten.

⚠ VARNING

Låt aldrig bromsvätska, bensin, bensinbaserade produkter, penetrerande oljor, etc., komma i kontakt med plastdelarna. Använd aldrig bromsvätskor, bensin, petroleumbaserade produkter eller några lösningsmedel för att rengöra verktyget. De flesta plasterna är mottagliga för skador från olika varianter av kommersiella lösningsmedel och kan skadas om sådana används.

- Det är tillåtet att utföra sådant underhållsarbete som finns beskrivet i denna bruksanvisning. Kontakta ett godkänt Ryobi servicecenter avseende andra reparationer eller rådgivning.

JUSTERING AV SKÄRPLATTA

- Produkten fungerar bäst om du följer dessa steg. Kontrollera alltid före användning att bladen inte är i kontakt med skärplattan. Optimal prestanda fås med 1 mm mellanrum mellan bladen och skärplattan.
- Om produkten inte maler materialet kan skärplattan behöva justeras eller bladen behöva vässas.
- Med tiden behöver bladen på produkten justeras. Det kan göras genom att justera skärplattan så att den får lätt kontakt med bladen. Se till att produkten är påslagen och arbetar i normal riktning framåt. Om skärplåten justeras när motorn är avstängd kan det resultera i allvarlig skada på produkten.

NOTERA: Justering av skärplattan får inte göras om det inte är absolut nödvändigt. Om skärplåten justeras för ofta eller för mycket åt gången kan produkten sluta fungera.
- Vrid justeringsratten medurs med maskinen igång.

- När du hör att metall är i kontakt med metall eller det syns små aluminiumspån i botten på uppsamlingsbehållaren ska du avbryta justeringen och låta produkten gå i 30 sekunder för att bladen ska vässas. När bladskärpningen är klar vrider du justeringsratten moturs tills den inte längre kommer i kontakt med skärplåten och lämnar ett mellanrum på 1 mm.

NOTERA: Att vässa bladen kräver ytterst lite kontakt med skärplattan. Gör alla justeringar långsamt och försiktigt för att inte skada produkten. Överjustering av skärplattan kan orsaka allvarliga skador på produkten.

KVARSTÅENDE RISKER

Även om produkten används enligt instruktionerna går det inte att eliminera alla eventuella riskfaktorer. Följande risker kan uppstå vid användning och operatören ska vara extra uppmärksam för att undvika följande:

- Skador orsakade av damm
 - Använd hörselskydd och begränsa exponeringen
- Skador orsakade av inandning av damm eller andra partiklar
 - Använd dammskyddsmask med filter vid behov.
- Skador orsakade av kontakt med skärbladen
 - Se till att oskyddade kroppsdelar aldrig kommer nära skäraggreatet.

RISKMINSKNING

Det finns rapporter om att vibrationer från handhållna verktyg kan bidra till ett tillstånd som kallas Raynauds syndrom för vissa personer. Symptomen brukar vara att det sticker i fingrarna och att de domnar bort; fingrarna kan också bli vita, särskilt vid kyla. Årftliga faktorer, kyla och fukt, diet, rökning och arbetsrutiner tros alla bidra till att orsaka dessa symptom. Det finns förebyggande åtgärder som du kan vidta för att försöka minska vibrationernas påverkan:

- Håll dig varm när du arbetar i kallt väder. Använd handskar för att hålla händer och handleder varma under användning.

Kyla har rapporterats som en viktig del i utvecklandet av Raynauds syndrom.

- Träna och rör på dig efter varje användningstillfälle för att öka blodcirkulationen.
- Ta ofta pauser från arbetet. Begränsa tiden du utsätter dig varje dag.

Upphör omedelbart om du upplever några av dessa symptom och uppsök din läkare.

⚠ VARNING

Risk för person- eller slitageskador vid användning av verktyget under lång tid. Om verktyget används under längre perioder krävs regelbundna pauser.

LÄR KÄNNA PRODUKTEN

Se sida 196.

1. Startknapp
2. Stoppknapp
3. Reverseringsknapp
4. Överbelastningsskyddets återställningsknapp
5. Inmatning
6. Handtag
7. Justeringsvred för skärplattan
8. Hjul
9. Uppsamlingsbehållare
10. Säkerhetsbrytare
11. Materialpressare

NOTERA: Aktivera säkerhetsbrytaren genom att dra upp den efter att uppsamlingsbehållaren satts in.

MALNINGSGUIDE

För bästa resultat vid malning ska du följa riktlinjerna i tabellen nedan.

MATERIAL	MALNINGSMETOD
Kvistar med en diameter på upp till 6 mm.	Fyll på i matningen i den takt som produkten accepterar utan att överbelastas.
Grenar med en diameter på upp till 45 mm.	Klipp av all sidoväxtlighet med sekator före inmatning.

Blomsterrabatter, buskage och vildvuxet
Knacka bort jord och sten från rötter så att inte bladen skadas.

Torra pinnar och kvistar
Stoppar du i dessa i slutet av malningsarbetet hjälper det till att rensa ut fukt och växtsafter från produktens insida och skärmekanismen.

- Se till att trädgårdsavfall inte ansamlas före malning eftersom det kommer att börja komposteras, bli alltför fuktigt och sätta igen malningsmekanismen. Torrt material hjälper till att rensa bort från utblåset. Spara några torra grenar till slutet att använda för att rengöra bladen.
- Kontrollera regelbundet ansamling/ uppsamling av malet material.
- Utkastet måste alltid vara rensat för att hindra blockeringar.
- När uppsamlingsbehållaren är full ska enheten stängas av innan behållaren töms.

⚠ VARNING

Stick inte in händerna i vedflisens utmatningsränna för att rensa ut flis när enheten är påslagen eller ansluten till nätström. Bladen är vassa. Använd grova arbetshandskar och iaktta extrem försiktighet vid rengöring och rensning av stopp.

⚠ VARNING

Vis inmatning av långa buskiga grenar i produkten ska du vara uppmärksam på pisksnärtar och vibrationer när de fångas upp av skärmekanismen. Operatören ska alltid bära skyddsglasögon vid användning av produkten.

⚠ VARNING

Skärenheten har en tendens att dra in grenar/stjälkar i produkten. Hindra inte inmatning av material som ska malas när matningen har påbörjats. Använd alltid handskar för att skydda huden mot rispor vid inmatning av material i produkten.

NOTERA: Se till att säkra enheten ordentlig innan användning, så att den inte kan falla omkull (se sidan 197, steg 2 - 6).

NOTERA: Stäng inte av enheten förrän allt flismaterial har matats ut ur enheten. Om enheten stängs av för snabbt kan kvarvarande material sätta igen bladen, vilket kan medföra att motorn inte kan köras när enheten startas näsa gång.

SYMBOLER PÅ PRODUKTEN



Läs igenom och var införstådd med alla instruktioner före användning av produkten, var uppmärksam på alla varningar och säkerhetsinstruktioner.



Se upp med kringkastade eller flygande föremål. Håll alla åskådare, barn och husdjur på minst 15 meters avstånd från arbetsområdet.



Fara - Roterande blad. Se till att hålla händer och fötter borta från öppningarna när produkten är igång.



Stäng av enheten och ta ut strömsladden innan underhåll eller om sladden skulle skadas.



Bär skydd för ögon och öron.



Använd inte att stå på.



Vänta tills samtliga maskindelar har stannat helt innan du rör vid dem.



Används halkfria, grova skyddshandskar.



Detta verktyg uppfyller alla standarder i de EU-länder där det kan köpas.



EurAsian överensstämmelsesymbol



Ukrainskt märke för överensstämmelse

001



Garanterad ljudnivå är 102 dB



Klass II: Skydd mot elektriskt stöt ges genom dubbelisolering eller förstärkt isolering.



Gamla elektroniska produkter ska inte kastas med hushållssoporna. Återvinn där sådana faciliteter finns. Kontrollera med din lokala myndighet eller säljaren för att få återvinningstips.



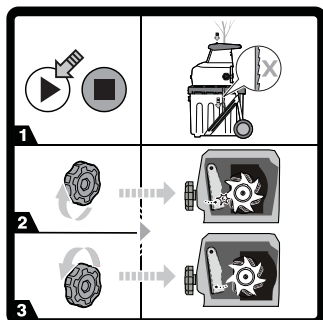
Start



Stanna



Bakåt



Om produkten inte maler material som den ska kanske skärplattan måste justeras.

1. Slå på produkten.
2. Vrid ratten för skärplåtjustering medurs tills du hör kontakt metall mot metall eller ser fina aluminiumspån längst ner i uppsamlingsbehållaren.
3. Vrid reglaget moturs efter 30 sekunder tills det finns ett mellanrum mellan skärplåten och bladen på 1 mm.

SYMBOLER I MANUALEN



Koppla den till ett väggurtag



Urkoppling från väggurtag



Delar och utrustning säljs separat



Notera



Varning



Lås



Lås upp



Håll händerna borta från bladen.

Följande signalord och betydelser är tänkta att förklara de olika risknivåerna som är associerade med denna produkt.

⚠ FARA

Indikerar en överhängande farlig situation som kan, om den inte undviks, resultera i dödsfall eller allvarlig skada.

⚠ VARNING

Indikerar en potentiellt farlig situation som kan, om den inte undviks, resultera i dödsfall eller allvarlig skada.

⚠ PÅMINNELSE

Indikerar en potentiellt farlig situation som kan, om den inte undviks, resultera i mindre eller medelstora skador.

PÅMINNELSE

Utän säkerhetssymbol

Visar på en situation som kan orsaka skada på egendom.

FELSÖKNING

PROBLEM	ORSAK	HANDLING
Motorn går inte runt.	Överbelastningsskyddet har aktiverats.	Vänta tills motorn har svalnat och tryck på överbelastningsenhetens återställningsknapp. Slå på enheten igen.
	Fel på elnät	Kontrollera strömladden, kontakten och säkringen.
	Uppsamlingsbehållaren är inte insatt i enheten och/eller säkerhetskontakten har inte aktiverats.	Sätt i uppsamlingsbehållaren och dra upp säkerhetskontakten för att aktivera den.
Material som ska malas dras inte in.	Material har fastnat i matningstunneln.	Följ instruktionerna i bruksanvisningen för att rensa bort hindrande föremål.
	Skärplattan är för långt från skärbladen.	Följ instruktionerna i bruksanvisningen för att justera skärplattan.

Hiljaisen sähkösilppurin suunnittelussa on pidetty etusijalla turvallisuutta, suorituskykyä ja luotettavuutta.

KÄYTTÖTARKOITUS

Sähkösilppuri on tarkoitettu ulkokäyttöön, sen on oltava käytettäessä tukevasti paikallaan ja käyttäjän on seisottava maassa.

Tuote on tarkoitettu orgaanisen puutarhajätteen, kuten oksien, risujen ja lehtien, pilkkomiseen.

Tuotetta ei ole tarkoitettu epäorgaanisille aineille, metallille tai materiaaleille, jotka ylittävät laitteen 45 mm suurimman leikkuukyvyn.

Laitte on asennettava toimituksen mukana tulevalle alustalle, ja laitteen kanssa on käytettävä niin ikään toimituksen mukana tullutta keräyssäiliötä. Sitä ei saa asentaa muulla tavalla kuin mitä käsikirjassa esitetään.

Älä käytä muihin tarkoituksiin.

YLEISET TURVALLISUUSÄÄNNÖT

⚠ VAROITUS

Tuotetta ei ole tarkoitettu lasten eikä sellaisten ihmisten käytettäväksi, joiden ruumiin, aistien tai mielen suorituskyky on heikentynyt. Jonkun muun kuin käyttäjän on pidettävä silmällä nuoria lapsia, jotta he eivät pääse leikkimään tuotteella tai sen lähellä.

⚠ VAROITUS

Tuotetta käytettäessä on ryhdyttävä varotoimiin tulipalon, sähköiskun ja loukkaantumisen välttämiseksi. Lue kaikki turvallisuusohjeet huolella ennen tuotteen käyttöä. Varmista, että tunnet hallintalaitteet ja osaat käyttää tuotetta asianmukaisesti ja turvallisesti. Säilytä ohjeet tulevaa käyttöä varten.

KOULUTUS

- Pehdy käyttöoppaaseen ennen kuin yrität käyttää laitetta.
- Älä anna lasten tai käyttöohjeita tuntemattomien ihmisten käyttää laitetta. Paikalliset säädökset saattavat asettaa rajoituksia käyttäjän iälle.

- Laitteen käyttäjä on vastuussa muille mahdollisesti tapahtuvista onnettomuuksista tai aiheutuvista omaisuusvahingoista

VALMISTELUT

- Älä käytä laitetta, jos lähistöllä on muita, erityisesti lapsia tai lemmikkejä.
- Älä käytä laitetta huonolla säällä tai jos on vaara salamoista.
- Käytä kuulosuojaimia ja suojalaseja aika laitetta käyttäessäsi.
- Käytä tukevia jalkineita (lipsumattomia) ja pitkiä housuja, kun käytät laitetta. Älä käytä löysiä vaatteita tai vaatteita, joista riippuu nuoria tai siteitä. Älä käytä laitetta ilman kenkiä tai avosandaalit jalassa.
- Käytä laitetta vain avoimella paikalla (esim. kaukana seinästä tai kiinteistä kohteista), ja tukevalla, tasaisella alustalla.
- Älä käytä laitetta päällystetyllä tai sorapinnalla, jossa singonneet materiaalit voivat aiheuttaa loukkaantumisen.
- Ennen kuin aloitat laitteen käytön, varmista, että kaikki ruuvit, mutterit, pultit ja muut kiinnikkeet ovat tiukassa ja että suojalaitteet ja keräyssäiliöt ovat paikoillaan. Palauta valtuutettuun huoltoon vaurioituneiden ja lukukelvottomien kyttien vaihtamiseksi.
- Tarkista sähkö- ja jatkojohto ennen käyttöä vaurioiden ja ikääntymisen varalta. Jos johto vioittuu käytön aikana, irrota se heti pistorasiasta. Älä kosketa johtoa, ennen kuin olet irrottanut sen pistorasiasta. Älä käytä laitetta, jos johto on vioittunut tai kulunut.

SÄHKÖTURVALLISUUS

- Lue nämä turvallisuusohjeet huolella ennen tuotteen kytkemistä sähköverkkoon.
- Ennen kuin kytket virran päälle, varmista, että syöttöjännitteesi on sama kuin laitteen arvokilvessä ilmoitettu. Valmistaja suosittelee, että kytket laitteen vikavirtasuojakytkimellä suojattuun pistorasiaan, jonka laukaisuvirta on enintään 30 mA.
- Muunlaiseen virtalaitteeseen kytkeminen voi aiheuttaa vahinkoja.

- Jos virtajohto vioittuu, valmistajan, pätevän huoltokeskuksen tai vastaavasti pätevän henkilön on vaihdettava se, jotta vältetään vaaratilanteet.
- Jos sinun on käytettävä jatkojohtoa, varmista että se soveltuu ulkokäyttöön ja että sen luokitus riittää laitteelle. Jatkojohdossa tulisi olla merkintä "H05 RN-F" tai "H05 VV-F". Tarkista se ennen jokaista käyttökertaa vaurioiden varalta; avaa se käytön aikana sillä kelalla olevat johdot voivat ylikuumentua. Vaurioituneita jatkojohtoja ei saa korjata vaan ne tulee vaihtaa vastaavan tyyppiin.
- Pidä jatkojohdot loitolla laitteen vaarallisista liikkuvista osista, vahingoittuneisiin johtoihin liittyy vaara joutumisesta kosketuksiin jännitteisten osien kanssa.

SILPPURIN TURVAOHJEET

KOKOONPANO

- Kun valmistelet laitetta käyttöä varten, varmista, että laite seisoo tukevasti paikallaan eikä vaaraa kaatumisesta ole. *Katso sivu 197.*

KÄYTTÖ

- Ennen kuin käynnistät koneen, katso syöttökammioon ja varmista, että se on tyhjä.
- Pidä kasvosi ja vartalosi kaukana ottoaukosta.
- Älä päästä käsiä, muita ruumiinosia tai vaatteita pyöriivien syöttökammioon, poistoaukkoon tai liikkuvien osien lähelle.
- Seiso aina tukevasti. Pysytkä tukevasti jaloillasi äläkä kurkota käsivartta liian kauas. Älä kurkota liian pitkälle. Älä koskaan seiso koneen alustaa korkeammalla, kun syötät siihen materiaalia. Käytä laitetta varoen rinteissä. Kävele, älä koskaan juokse.
- Pysytkä aina turvallisen matkan päässä sivussa purkualueelta, kun käytät laitetta.
- Kun syötät materiaalia laitteeseen, varo että mukana ei mene metallinpaloja, kiviä, pulloja, purkkeja tai muita vierasesineitä.
- Jos leikkurimekanismi osuu vierasiin esineisiin tai jos laitteesta alkaa kuulua outoa ääntä tai se tärisee epätavallisella

tavalla, katkaise laitteesta virta ja anna leikkureiden pysähtyä kokonaan. Irrota tuote pistorasiasta ja toimi seuraavasti:

- tarkista vaurioiden varalta;
- tarkista, onko jokin osa löysällä, ja kiristä tarvittaessa;
- vaihdata tai korjauta kaikki vioittuneet osat aidoilla RYOBI-varaosilla
- Älä anna käsitellyn materiaalin kerääntyä poistokuiluun; tämä voi estää asianmukaisen tyhjentyksen tai aiheuttaa tukoksen ja saada materiaalia sinkoamaan ulos syöttöaukosta.
- Jos laite tukkeutuu, katkaise siitä virta ja anna leikkureiden pysähtyä kokonaan. Irrota tuote pistorasiasta ennen roskien puhdistusta.
- Älä käytä laitetta, jos suojalaitteet, kannet, keräyssäiliö tai muut turvalaitteet ovat viallisia, poissa paikoiltaan ja eivät ole hyvässä käyttökunnossa.
- Jos silputtaessa syntyy pölyä, käytä asianmukaista pölynaamaria estääksesi hengitystiehyeiden vauriot.
- Älä siirrä tai kuljeta tuotetta moottorin ollessa käynnissä.
- Sammuta tuote ja irrota se pistorasiasta. Varmista, että kaikki liikkuvat osat ovat pysähtyneet täysin:
 - ennen laitteen luota poistumista
 - ennen tukoksen poistamista
 - ennen laitteen tarkastusta, puhdistusta tai huoltoa.
- Älä kallista tuotetta moottorin ollessa käynnissä.
- Älä muuntele laitteen osia, ja käytä vain osia, joita RYOBI suosittelee, muutoin riski vakavasta henkilövahingosta kasvaa.
- Varmista aina, että tuuletusaukot pysyvät puhtaina roskista; muutoin moottori saattaa ylikuumentua, mikä voi vioittaa tuotetta tai suurentaa tulipalon vaaraa.
- Jos tapahtuu onnettomuus tai laitteeseen tulee vika, katkaise laitteesta virta välittömästi ja kytke se irti virransyötöstä. Älä käytä laitetta ennen kuin se on perusteellisesti tutkittu valtuutetussa huoltoliikkeessä.
- Katkaise laitteesta virta ennen kuin liität tai poistat keräyssäiliön.

VAROITUS

Laitteen pitkittynyt käyttö voi aiheuttaa tai vaikeuttaa vammoja. Kun käytät mitä tahansa laitetta pitkiä aikoja, muista pitää säännöllisiä taukoja.

KULJETUS JA VARASTOITAESSA

- Varmista, että tuote puhdistetaan huolella ennen sen varastoimista puhtaaseen, kuivaan paikkaan pois lasten ulottuvilta.
- Anna tuotteen jäähtyä riittävästi ennen varastointia tai kuljetusta.
- Kiinnitä tuote kuljetettaessa siten, että se ei pääse liikkumaan tai kaatumaan, jotta välttyä loukkaantumisilta ja vaurioilta.

HUOLTO

Katkaise laitteesta virta, anna leikkureiden pysähtyä kokonaan ja kytke laite irti virransyötöstä ennen laitteen puhdistamista, tarkastamista tai huoltamista. Leikkuumeکانismi kuumenee, kun sillä on silputtu jonkun aikaa. Anna sen jäähtyä riittävän kauan ennen puhdistusta, tarkastusta tai säätöä.

VAROITUS

Terät ovat erittäin teräviä. Noudata erityistä huolellisuutta ja varovaisuutta, kun teet puhdistustyötä tai työskentelet muutoin lähellä teriä tai avonaisen kotelon sisällä keräyssäiliön ollessa poissa paikaltaan, niin välttyä loukkaantumisilta. Käytä aina raskaan käytön suojakäsineitä.

- Huomaa, että terää voi yhä liikuttaa virran ollessa katkaistuna ja interlock-kytkimen ollessa päällä.
- Jotta tuote toimisi parhaiten, se on pidettävä puhtaana.
- Puhdista tuote aina heti käytön jälkeen. Käytä aina kun mahdollista jäykkää harjaa syöttösuppilon ja poistokourun sisällä ja kuivaa liinaa tuotteen ulkopuolella.
- Älä päästä mitään materiaalia kuivumaan ja kovettumaan mihinkään laitteen pinnoista, erityisesti teriin. Tämä vaikuttaa suoraan silppuamistulokseen.
- Varmista, että syöttösuppilo ja poistokuilu pidetään puhtaana ja roskattomana.

- Varmista, että kaikki mutterit, pultit ja ruuvit (paitsi säätöruuvi) ovat kireällä ja tukevasti kiinni.
- Korjauta tai vaihdata aina kaikki vioittuneet tai kuluneet osat pätevällä henkilöllä valtuutetussa Ryobi-huollossa.
- Älä yritä ohittaa keräyssäiliön tai etukannen leikkurikokoonpanon lukituskytkimiä.

VAROITUS

Älä koskaan päästä jarrunesteitä, bensiiniä, öljytuotteita, läpäiseviä öljyjä tms. kosketuksiin muoviosien kanssa. Älä koskaan puhdista sitä jarrunesteellä, bensiini- tai liuoteperustaisilla aineilla. Suurin osa muoveista ei siedä markkinoilla olevia määrättyjä liuotteita, jotka vahingoittavat niitä.

- Käyttäjä saa suorittaa tässä käsikirjassa kuvatut ylläpitotoimet. Hanki muihin korjauksiin tai ongelmiin apua valtuutetusta RYOBI-huoltopalvelusta.

VUOLULEVYN SÄÄTÖ

- Tuote toimii parhaiten, kun noudatet seuraavia vaiheita. Tarkista aina ennen käyttöä, että terät eivät kosketa vuolulevyä. Laitte toimii parhaiten, kun terien ja vuolulevyn välissä on 1 mm:n välys.
- Jos tuote ei silppua materiaalia, vuolulevyä voidaan joutua säätämään tai terät teroittamaan.
- Tuotteen teriä on säädettävä ajan mittaan. Tämä tapahtuu säätämällä vuolulevyä siten, että se koskettaa teriä kevyesti. Varmista, että laitteeseen on kytketty virta ja että se toimii normaalissa myötäsunnassa. Teroitustevyn säätäminen moottorin ollessa pois kytkettynä saattaa vioittaa laitetta pahasti.

HUOMAUTUS: Vuolulevyä tulee yrittää säätää ainoastaan kun se on täysin välttämätöntä. Teroitustevyn säätäminen liian usein tai liian pitkälle saattaa pysäyttää laitteen toiminnan.

- Kun laite on käynnissä, kierrä säätönuppia myötäpäivään.
- Kun kuulet metallin koskettavan metallia tai näet keräyssäiliön pohjalla ohuita alumiinilastuja, lopeta säätäminen ja anna

tuotteen käydä 30 sekuntia, jotta terät teroittuvat. Kun teroitus on valmis, kierrä säätönappia vastapäivään, kunnes se ei enää kosketa teroituslevyä, jätä rakoa 1 mm.

HUOMAUTUS: Terien teroittaminen vaatii hyvin kevyen kontaktin voolulevyyn. Suorita säädöt hitaasti, jotta tuote ei vahingoitu. Levyn ylisäätö voi vahingoittaa tuotetta vakavasti.

KÄYTTÖÖN LIITTYVÄT RISKIT

Vaikka tuotetta käytettäisiin ohjeiden mukaisesti, ei ole mahdollista täysin eliminoida tiettyjä käyttöön liittyviä riskitekijöitä. Käytössä voi aiheutua seuraavia vaaroja, ja käyttäjän tulee kiinnittää erityistä huomiota niiden välttämiseen:

- Melun aiheuttama vamma
 - Käytä suojalaseja ja rajoita altistumista.
- Pölyn ja hiukkasten hengittämisestä aiheutunut vamma
 - Käytä tarvittaessa suodattimella varustettua hengityssuojainta.
- Leikkuulaitteeseen koskettamisesta aiheutunut vamma
 - Pidä suojaamattomat ruumiinosat aina poissa leikkuumechanismista.

RISKIEN VÄHENTÄMINEN

Raporttien mukaan käsikäyttöisten laitteiden tärinä voi joidenkin kohdalla myötävaikuttaa Raynaud's Syndromen (Raynaudin oireen) ilmenemiseen. Oireita ovat pistely, turtuus ja sormien kalpeneminen, yleensä kylmässä ilmassa. Perinnölliset tekijät, kylmyys ja kosteus, ruokavalio, tupakointi sekä työtavat voivat kaikki myötävaikuttaa näiden oireiden ilmenemiseen. Käyttäjä voi ehkäistä tärinän aiheuttamia vaikutuksia seuraavasti:

- Pidä itsesi lämpimänä kylmällä säällä. Käytä tuotteen käytön aikana käsineitä, jotta kätesi ja ranteesi pysyvät lämpöisinä. Raporttien mukaan kylmä ilma on tärkeä tekijä Raynaud's Syndromen (Raunaudin oireiden) ilmenemisessä.
- Harjoita kunkin käyttöjakson jälkeen liikuntaa, jotta verenkierto lisääntyy.
- Pidä työn aikana säännöllisesti taukoja. Rajoita päivittäisen tärinän määrää.

Jos mitään yllä mainittuja oireita ilmenee,

lopeta heti laitteen käyttö ja kerro oireista lääkärille.

VAROITUS

Laitteen pitkittynyt käyttö voi aiheuttaa tai vaikeuttaa vammoja. Kun käytät mitä tahansa laitetta pitkiä aikoja, muista pitää säännöllisiä taukoja.

TUNNE TUOTTEESI

Katso sivu 196.

1. Käynnistyskytkin
2. Pysäytyskytkin
3. Suunnanvaihtokytkin
4. Ylikuormasuojalaitteen nollauspainike
5. Syöttösuppilo
6. Kädensija
7. Vuolulevyn säätönappi
8. Pyörä
9. Keräyssäiliö
10. Turvakytkin
11. Materiaalilyöntin

HUOMAUTUS: Turvakytkimen ylösvetäminen keräyssäiliön paikalleen kiinnittämisen jälkeen aktivoi turvakytkimen.

SILPPUAMISOPAS

Noudata alla olevan taulukon ohjeita taataksesi parhaat silppuamistulokset.

MATERIAALI SILPPUAMISTAPA

Risut
läpimitaltaan
enintään 6 mm.

Syötä syöttösuppiloon nopeudella, jonka tuote pystyy käsittelemään ylikuormittumatta.

Oksat
läpimitaltaan
enintään 45
mm.

Leikkaa kaikki sivukasvut pois leikkureilla ennen kuin syötät materiaalin syöttösuppiloon.

Taimet,
rikkaruohot ja
pensaat

Napauta maa ja kivet irti juurista, jotta terät eivät vioitu.

Kuivat tikut ja
risut

Kun jätät ne silppuamistyön loppuvaiheeseen, ne poistavat kosteutta ja kasvien mahlaa tuotteen sisältä ja leikkuukokoonpanosta.

- Älä päästä puutarhajätettä kerääntymään

ennen silppuamista, sillä se alkaa kompostoitua, kastuu liiaksi ja tukkii leikkuukokoonpanon. Kuiva materiaali auttaa muuta materiaalia poistumaan poistokuilusta. Säästä muutama kuiva tikku viimeiseksi puhdistaksesi teräalueen.

- Tarkista säännöllisesti silputun materiaalin kerääntyminen.
- Poistokourun poistoaukon on oltava aina esteetön, jotta vältytään tukkeumilta.
- Kun keräyssäiliö on täynnä, kytkä laitteesta virta ennen säiliön tyhjentämistä.

VAROITUS

Älä laita kättäsi silppurin poistosuppilon sisälle silputun materiaalin poistamiseksi laitteen ollessa käynnissä tai päävirtalähteeseen kytkettynä. Terät ovat teräviä. Käytä rankkaan käyttöön tarkoitettuja käsineitä ja ole erittäin varovainen puhdistaussasi ja poistaessasi tukoksia.

VAROITUS

Kun syötät tuotteeseen pitkiä puunoksia/ varsia, varo niistä mahdollisesti aiheutuvaa iskua ja tärinää, kun ne tarttuvat leikkuriin. Käyttäjän on käytettävä suojalaseja aina tuotetta käyttäessään.

VAROITUS

Leikkuulaite pyrkii vetämään oksia/ varsia tuotteen sisään. Älä yritä estää leikkuumateriaalin kulkua syötön alettua. Käytä aina käsineitä estääksesi ihon leikkaantumisen syöttäessäsi materiaalia tuotteeseen.

HUOMAUTUS: Kun valmistelet laitetta käyttöä varten, varmista, että laite seisoo tukevasti paikallaan eikä vaaraa kaatumisesta ole (ks. sivu 197, vaihe 2-6).

HUOMAUTUS: Normaaliikäytössä virta laitteesta tulee katkaista vasta sen jälkeen, kun leikkurikokoonpanossa ei enää ole jäljellä silputtua materiaalia. Jos laitteesta katkaistaan virta liian aikaisessa vaiheessa, jäljellä olevat materiaali voi tukkia teräkokoonpanon ja pysäyttää moottorin, kun laitteeseen

seuraavan kerran kytketään virta.

TUOTTEESSA OLEVAT SYMBOLIT



Lue ja ymmärrä kaikki ohjeet ennen tuotteen käyttöä ja noudata kaikkia varoituksia ja turvallisuusohjeita.



Varo sinkoutuneita ja muita lentäviä esineitä. Pidä kaikki sivulliset vähintään 15 metrin päässä toiminta-alueelta – erityisesti lapset ja lemmikit.



Vaara – pyöriäviä teriä Pidä kädet ja jalat poissa aukoista tuotteen käydessä.



Katkaise laitteesta virta ja irrota pistoke päävirtalähteen pistorasiasta aina ennen huoltotoimenpidettä tai jos virtajohto on vaurioitunut.



Käytä näkö- ja kuulosuojausta.



Älä käytä astinlautana.



Anna laitteen kaikkien osien pysähtyä täysin, ennen kuin kosketat niitä.



Käytä luisumattomia raskaan käytön käsineitä.



Tämä työkalu on sen EU-maan kaikkien sääntömääräisten standardien mukainen, josta se on ostettu.



EurAsian-vaatimustenmukaisuusmerkki



Ukrainalainen säädöstenmukaisuusmerkintä



Taattu äänenteho on 102 dB.



Luokka II: Sähköisku estetään kaksinkertaisella eristyksellä tai tehostetulla eristyksellä.



Käytöstä poistettavia sähkölaitteita ei pidä hävittää talousjätteiden mukana. Ne on mahdollisuuksien mukaan pantava kiertoon. Kierrätysohjeita antavat kunnan viranomaiset ja vähittäiskauppiat.



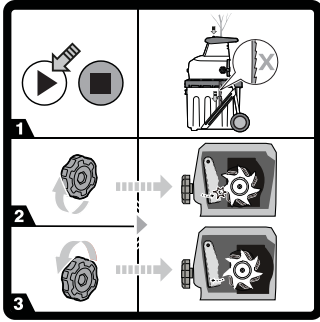
Käynnistä



Stop



Taaksepäin



Jos tuote ei silppua materiaalia, vuolulevyä voidaan joutua säätämään.

1. Käynnistä tuote.
2. Kierrä teroituslevyn säätönuppia myötäpäivään, kunnes kuulet metallin osuvan metalliin tai näet ohuet alumiiniset levyt keräyssäiliön pohjassa.
3. Odota 30 sekuntia, ja kierrä sitten säätönuppia vastapäivään, kunnes teroituslevyn ja terien väliin jää rakoa 1 mm.

TÄMÄN KÄSIKIRJAN SYMBOLIT



Kytke pistorasiaan



Irrota pistorasiasta



Osat ja lisävarusteet on hankittava erikseen



Huom



Varoitus



Lukko



Avaa



Pidä kädet kaukana teristä.

Seuraavat signaalisanat ja merkitykset on tarkoitettu selittämään tähän tuotteeseen liittyviä riskin tasoja.

⚠ VAARA

Ilmaisee välitöntä vaaratilannetta, joka ellei sitä vältetä, johtaa kuolemaan tai vakavaan loukkaantumiseen.

⚠ VAROITUS

Ilmaisee potentiaalisen vaaratilanteen, joka ellei sitä vältetä, johtaa kuolemaan tai vakavaan loukkaantumiseen.

⚠ HUOMAUTUS

Ilmaisee potentiaalisen vaaratilanteen, joka ellei sitä vältetä, saattaa johtaa pienempään tai keskivaikeaan loukkaantumiseen.

HUOMAUTUS

Ilman turvallisuusvaroitussymbolia Ilmoittaa tilanteesta, jossa omaisuutta saattaa vaurioitua.

VIANHAKU

ONGELMA	SYY	TARKOITUS
Moottori ei käy.	Ylikuormasuojalaite on toiminut.	Odota, kunnes moottori on jäähtynyt, paina sitten ylikuormasuojalaitteen nollauspainiketta. Kytke laitteeseen virta.
	Virtakatkos	Tarkista virransyöttökaapeli, pistoke ja talon sulake.
	Keräyssäiliötä ei ole kiinnitetty paikalleen laitteeseen ja/tai turvakytkintä ei ole aktivoitu.	Kiinnitä keräyssäiliö paikalleen laitteeseen, aktivoi sen jälkeen turvakytkin vetämällä sitä ylöspäin.
Silputtava materiaali ei kulkeudu laitteen sisään.	Syöttösuppiloon on juuttunut materiaalia.	Poista tukokset käyttöoppaan ohjeiden mukaisesti.
	Vuolulevy on liian kaukana terästä.	Säädä vuolulevy käyttöoppaan ohjeiden mukaisesti.

Sikkerhet, ytelse og driftssikkerhet er gitt topp prioritet i konstruksjonen av din elektriske stillegående kvern.

TILTENKT BRUK

Den elektriske stille hagesagen skal brukes utendørs hvor operatøren står på et solid underlag.

Hensikten med produktet er å redusere mengden av organiske avfallsmaterialer i hagen, som kvister, greiner og løvblader.

Produkter er ikke ment til ikke-organisk materiale, metall eller material som overstiger maksimal kvernekapasitet på 45 mm i diameter.

Produktet må monteres på stativet som følger med og må bli brukt med oppsamlingsbøtten som følger med. Maskinen må ikke monteres på annet vis enn vist her i denne manualen.

Ikke bruk til noe annet formål.

GENERELLE SIKKERHETSREGLER

⚠ ADVARSEL

Dette produktet er ikke ment å bli brukt av barn eller personer med nedsatte fysiske, mentale eller sensoriske evner. Små barn skal hele tiden holdes under tilsyn av en annen person enn operatøren for å sikre at de ikke leker nær eller med produktet.

⚠ ADVARSEL

Når man bruker produktet, skal man alltid følge grunnleggende sikkerhetstiltak for å minske faren for brann, elektrisk støt og personskade. Les alle disse sikkerhetsinstruksjonene nøye før du bruker produktet. Sjekk at du har lært styrefunksjonene og hvordan produktet brukes riktig og trygt. Vennligst ta vare på instruksjonene for fremtidig bruk.

OPPLÆRING

- Gjør deg kjent med instruksjonene før du bruker produktet.
- Ikke tillat at barn eller personer som ikke er kjent med brukermanualen bruke produktet. Lokale forskrifter kan begrense en alder av operatøren.
- Operatøren eller brukeren av produktet er

ansvarlig for ulykker eller farer for andre folk eller deres eiendom.

KLARGJØRING

- Bruk aldri produktet i nærheten av tilskuere, spesielt barn eller kjæledyr.
 - Bruk aldri produktet i dårlig vær eller når det er fare for lyn.
 - Benytt alltid hørselsvern og sikkerhetsbriller ved bruk av maskinen.
 - Bruk alltid passende fottøy (sklisikkert) og lange bukser når du bruker produktet. Unngå å bruke klær som er løstsittende eller som har hengende snorer eller belter. Bruk ikke produktet barføtt eller når du bruker åpne sandaler.
 - Bruk kun produktet på et åpent område (f.eks. ikke nær en vegg eller en festet gjenstand) og på en stødig og jevn overflate.
 - Ikke bruk maskinen på asfaltert eller gruslagt overflate der utkastet materiale kan føre til skade.
 - Sjekk at alle skruer, muttere, skruer, og andre festelementer er ordentlig sikret og at beskyttelsene og oppsamlingsbøtten er på plass før du slår på produktet. Lever produktet på et autorisert serviceverksted for å skifte ut skadde eller uleselige etiketter.
 - Før bruk må den elektriske ledningen eller skjøteledningen kontrolleres for skade eller aldring. Hvis den elektriske ledningen skades under bruk, trekk støpslet umiddelbart ut av stikkkontakten. Ikke berør ledningen før strømtilførselen er avbrutt. Ikke bruk maskinen dersom den elektriske ledningen er slitt eller skadet.
- ### ELEKTRISK SIKKERHET
- Les disse sikkerhetsanvisningene nøye før du kobler produktet til strømmettet.
 - Pass på at spenningen til den elektriske forsyningen din er det samme som indikert på ratingplaten før du slår på. Produsenten anbefaler at du kobler til en strømkontakt beskyttet av en RCD med en trip-spenning på ikke mer enn 30 mA.
 - Tilkobling til en annen strømkilde an forårsake skade.
 - Hvis den elektriske ledningen er skadet må den erstattes av produsenten, dennes

servicerepresentant eller tilsvarende kvalifiserte personer for å unngå fare.

- Hvis du har behov for å bruke en skjøteledning, sjekk at den er egnet til bruk utendørs og at den har en nominell strømkapasitet som er tilstrekkelig for å forsyne verktøyet ditt. Skjøteledningen må være merket med enten "H05 RN-F" eller "H05 VV-F". Sjekk før hver bruk for skader, rull alltid opp under bruk fordi opprullede ledninger kan bli overopphetet. Skader på skjøteledning må ikke repareres med skiftes ut med tilsvarende type ledning.
- Hold skjøteledninger vekke fra farlige deler i bevegelse for å unngå skader på kablene, som kan føre til kontakt med deler som kan gi støt.

SIKKERHETSADVARSLER ANGÅENDE HAGESAGEN

MONTERING

- Pass på at produktet er sikret slik at det ikke velter når du klargjør produktet. Se side 197.

BETJENING

- Se inn i matekammeret for å forsikre deg om at det er tomt før du starter maskinen.
- Hold ansikt og andre kroppsdeler vekk fra mateåpningen.
- Ikke la hender eller noen annen del av kroppen eller klær komme inn i matekammeret, utkastkurven eller i kontakt med noen bevegelig del.
- Sørg alltid for godt fotfeste. Sørg for godt fotfeste og god balanse til enhver tid. Ikke len deg for langt. Stå aldri høyere enn sokkelen til maskinen når du mater den med materialer. Vær forsiktig når produktet brukes i skråninger. Gå, du må aldri løpe mens du arbeider med maskinen.
- Stå alltid utenfor kuttetsonen når du bruker produktet.
- Når du mater materialer inn i maskinen, påse at ikke metallbiter, steiner, flasker, bokser og andre fremmedlegemer følger med.
- Hvis kuttemekanismen treffer noen fremmedelementer, eller hvis produktet lager en uvanlig lyd eller begynner å vibrere, må det slås av slik at alle knivbladene kan slutte å rotere. Koble

produktet fra strømforsyningen og følg disse anvisningene:

- inspiser for skader;
 - undersøk og stram alle løse deler;
 - Eventuelle ødelagte deler må skiftes ut eller repareres med originale RYOBI reservedeler
- Ikke la ferdigkvernet materiale samle seg i utgangsrennen fordi det kan hindre utløp eller blokkere utgangen og føre til tilbakeslag av materiale gjennom mateåpningen.
 - Slå av produktet og la knivbladene slutte å rotere helt hvis produktet tettes. Koble produktet fra strømforsyningen før rensing av smuss.
 - Bruk aldri produktet hvis beskyttelsene, dekslene, oppsamlingsbøtten, eller andre sikkerhetsmekanismer er defekte, ikke ordentlig på plass, eller ikke fungerer ordentlig.
 - Dersom det i kverneprosessen danner seg mye støv, bør du bruke en støvmaske for å hindre at du blir skadet i luftveiene.
 - Ikke flytt eller transporter produktet mens motoren er i gang.
 - Slå av produktet og trekk støpslet til den elektriske ledningen ut av stikkkontakten. Påse at alle bevegelige deler har stoppet helt:
 - før produktet etterlates uten oppsyn
 - før rengjøring av en blokkering
 - før kontrollering, rengjøring og vedlikehold av produktet.
 - Ikke tipp produktet mens motoren er i gang.
 - Aldri modifier deler på produktet eller bruk deler som ikke er anbefalt av RYOBI, da dette kan øke risikoen for alvorlig skade for deg selv eller andre.
 - Påse at ventilasjonsåpningene holdes fri for smuss; ellers kan motoren bli overopphetet, noe som kan forårsake skade på produktet eller øke faren for brann.
 - Skru av produktet og koble fra strømforsyningen om det skulle oppstå en ulykke eller produktet bryter sammen. Ikke bruk redskapen igjen før den er nøye kontrollert av et autorisert servicesenter.
 - Slå av produktet før du kobler til eller fjerner oppsamlingsbøtten.

⚠ ADVARSEL

Hvis man bruker verktøyet for lenge av gangen, kan det føre til eller forverre allerede eksisterende personskaade. Når du bruker et verktøy over en lenger tidsperiode, husk å ta regelmessige pauser.

TRANSPORT OG LAGRING

- Påse at produktet er rengjort godt før du stuer det unna på et rent og tørt sted, trygt unna slik at barn ikke kan nå det.
- La produktet kjøle ned tilstrekkelig før lagring eller transport.
- Ved transport må produktet sikres mot å komme i bevegelse eller falle for å unngå skade på personer, ting eller på produktet.

VEDLIKEHOLD

Produktet skal slås av før det rengjøres, kontrolleres eller vedlikeholdes, slik at knivbladene stanser helt opp. Produktet kobles deretter fra den elektriske forsyningen. Etter noen tids fragmentering vil oppkappingsmekanismen bli varm. La produktet kjøle ned tilstrekkelig før rengjøring, inspeksjon eller justering.

⚠ ADVARSEL

Kappeknivene er ekstremt skarpe. For å unngå skade, vær ekstremt forsiktig og varsom når du rengjør eller arbeider nær knivbladene eller inne i det lukkede området når oppsamlingsbøtten er fjernet. Bruk alltid passende vernehansker.

- Vær oppmerksom på at kutteenheten kan fortsatt bevegges enda strømmen er skrudd av eller hvis låsebryteren er skrudd på.
- For å sikre beste effekt fra maskinen, må den holdes ren.
- Rengjør produktet alltid rett etter bruk. Der hvor det er mulig må det brukes en stiv børste på innsiden av mateåpningen og i utkaståpningen og en tørr klut på utsiden av produktet.
- Unngå at materialer blir tørre og harde på alle overflatene til produktet, men spesielt på knivbladene. Dette vil direkte påvirke kverneeffekten.
- Påse at mateåpningen og utkaståpningen

alltid holdes rene og uten oppsamling av materialer.

- Sikre at alle mutter, bolter og skruer (unntatt justeringsskruen) er strammet og sikret.
- La alltid en fagperson ved et godkjent Ryobi-servicesenter reparere eller skifte ut ødelagte og nedslitte deler.
- Forsøk aldri å gå forbi forriglingsbryterne på oppsamlingsbøtten eller frontdekslene til kutteren.

⚠ ADVARSEL

Ikke på noe tidspunkt må du la bremsevæske, bensin, petroleumbaserte produkter, rustoppløsende oljer og lignende komme i kontakt med plastdelene. Bruk aldri bremsevæske, bensin, petroleumbaserte produkter eller oppløsningsmidler for å rengjøre verktøyet. De fleste plastikkstoffene vil bli skadet dersom forskjellige tilgjengelige løsemiddel brukes på gressklipperen.

- Du kan utføre de vedlikeholdsoppgavene som er beskrevet i denne manualen. For andre reparasjoner eller råd, ta kontakt med et godkjent RYOBI-servicesenter.

JUSTERING AV SKRAPEPLATE

- Produktet yter best ved å følge disse trinnene. Før bruk, kontroller alltid at knivene ikke er i kontakt med kutteplaten. For optimal ytelse, hold en 1 mm avstand mellom bladene og kutteplaten.
- Hvis produktet ikke kverner materiale, må kutteplaten muligens justeres eller bladene trenger å kvesses.
- Over tid må bladene på produktet justeres. Dette kan gjøres ved å justere kutteplaten slik at den kommer i lett kontakt med bladene. Pass på at produktet er slått på og fungerer i normal framgående retning. Justering av klippeplaten mens motoren er slått på kan føre til alvorlig skade på produktet.
MERK: Justering av skrapeplaten må bare forsøkes dersom det ansees som fullstendig nødvendig. Å justere klippeplaten for ofte eller for langt kan føre til at produktet slutter å fungere.
- Skru justeringsknotten med klokken mens produktet er i drift.
- Når du hører metall mot metall eller

du ser fine flak av aluminium i bunnen av beholderen, stopp justeringen og la produktet for å kjøre i 30 sekunder for å slipe knivene. Når kvessingen er fullført, skru justeringsknotten mot klokken fram til den ikke lenger er i kontakt med klippeplaten, og la det være et mellomrom på 1 mm.

MERK: Sliping av kniver krever svært lett kontakt med kutteplaten. Gjør alle justeringer sakte for å unngå skade på produktet. Overjustering av platen kan forårsake alvorlig skade på produktet.

GJENVÆRENDE RISIKO

Selv om utstyret brukes som beskrevet er det ikke mulig å unngå enhver gjenværende risiko. Følgende faresituasjoner kan oppstå ved bruk, og operatøren må legge spesielt vekt på å unngå følgende:

- Skader skapt av støv.
 - Bruk hørselvern og begrenns eksponeringen.
- Skader som følge av inhalering av støv og partikler
 - Bruk støvmaske med filter ved behov.
- Skader som følge av kontakt med oppkappingsutstyr
 - Hold alltid hender, bein og andre kroppsdeler unna kuttemekanismen.

FAREREDUKSJON

Det foreligger rapporter om at vibrasjoner fra håndholdt verktøy for enkelte personer kan bidra til en tilstand som kalles Raynauds Syndrome. Symptomene kan omfatte følelsesløshet og gjøre fingrene bleke, vanligvis synlig ved eksponering til lave temperaturer. Arvelige faktorer, eksponering mot lave temperaturer og fuktighet, diett, røyking og arbeidspraksis blir alle ansett for å kunne bidra til å utvikle disse symptomene. Brukeren kan iverksette tiltak for mulig å redusere virkningene av vibrasjonene:

- Hold kroppen din varm i kaldt vær. Bruk hansker og hold hender og håndledd varme ved bruk av produktet. Det er rapportert at kaldt vær er en viktig faktor som bidrar til Raynauds Syndrome.
- Etter hver arbeidsperiode bør det utføres øvelser for å øke blodsirkulasjonen.

- Ta ofte pauser fra arbeidet som utføres. Begrens mengden av eksponering pr. dag.

Hvis du opplever noen av symptomene på denne tilstanden må du øyeblikkelig avbryte arbeidet og oppsøke en lege med disse symptomene.

⚠ ADVARSEL

Hvis man bruker verktøyet for lenge av gangen, kan det føre til eller forverre allerede eksisterende personskade. Når du bruker et verktøy over en lenger tidsperiode, husk å ta regelmessige pauser.

KJENN PRODUKTET DITT

Se side 196.

1. Startbryter
2. Stoppebryter
3. Reversbryter
4. Beskyttelsesknapp for tilbakestilling under overbelastning av enhet
5. Matingsrenne
6. Håndtak
7. Justeringsknapp på barberingsplaten
8. Hjul
9. Oppsamlingsbøtte
10. Sikkerhetsbryter
11. Materialsugekopp

MERK: Å dra opp sikkerhetsbryteren etter at oppsamlingsbøtten er satt inn i produktet aktiverer sikkerhetsbryteren.

KVERNEFØRING

Man oppnår best resultat når man kverner i samsvar med retningslinjene vist i tabellen under.

MATERIALER KVERNEMETODE

Kvister opp til 6 mm i diameter. Skyv inn ved mateåpningen i en hastighet som produktet kan tåle uten å bli overbelastet.

Grener opp til 45 mm i diameter. Klipp av alle sidevekster med en beskjæringssaks før grenen eller kvisten skyves inn i mateåpningen.

Planter i bed, ugress og buskas.

Bank løst jord og steiner fra røttene for å unngå at bladene skades.

Tørre pinner og kvister

Å sette disse inn på slutten av oppkappingsprosessen vil bidra til å fjerne fuktighet og plantesaft fra innsiden av produktet og klippeenheten.

- Ikke la hageavfall samle seg før du skal kverne det fordi det vil starte å kompostere seg, bli for fuktig og klumpe seg i kutteenheten. Tørt materiale vil hjelpe i de fleste tilfeller å rense utløpsrennen. Spar noen tørre pinner til slutt for å lette rengjøringen av knivbladenheten.
- Sjekk ofte om det har samlet seg opp mye kvernet materiale.
- Utkaståpningen må til enhver tid være åpen for å unngå blokkeringer.
- Slå av produktet før du tømmer oppsamlingsbøtten når den er full.

⚠ ADVARSEL

Ta ikke hendene dine inni kutterens innmatningsområde for å tørke vekk kuttete materialer mens produktet er slått på eller koblet til strøm. Bladene er skarpe. Bruk gode vernehansker og vær meget forsiktig når du renser og frigjør blokkeringer.

⚠ ADVARSEL

Når du mater lange treaktige grener / stilker inn i maskinen, vær forsiktig at de ikke pisker tilbake eller vibrerer når kvernen griper i de. Operatøren må anvende øyebeskyttelse når dette produktet brukes.

⚠ ADVARSEL

Kutteenheten har en tendens til å dra grener / stilker inn i produktet. Ikke prøv å hindre materiale i å bli trekt inn når matingen har startet. Bruk alltid hansker for å unngå å skrape opp huden når materiell skyves inn i produktet.

MERK: Pass på at produktet er sikret slik at det ikke velter når du klargjør produktet (se

side 197, trinn 2 - 6).

MERK: For normalt bruk, ikke slå av produktet før alt av det skreddede materiale har kommet seg gjennom kutteren. Hvis produktet slås av for raskt kan gjenstående deler av materialer tette kutteren og stoppe motoren når produktet slås på igjen.

SYMBOLER PÅ PRODUKTET



Les og forstå alle instruksjoner før du tar i bruk produktet, følg alle advarsler og sikkerhetsanvisninger.



Vær oppmerksom på utkastede eller flygende gjenstander. Hold tilskuere, spesielt barn og dyr, på god avstand, det vil si minst 15 meter fra arbeidsområdet



Fare - roterende kniver. Hold hender og føtter unna åpninger mens produktet er i gang.



Slå av og fjern pluggen fra strøm før vedlikehold eller hvis kableen er skadet.



Bruke syns- og hørselsvern



Ikke bruk som gardintrapp.



Vent til alle maskinkomponenter har stanset helt før du tar på de.



Bruk kraftige, sklisikre hansker.



Dette verktøyet overholder samtlige standarder i det EU-landet det er kjøpt i.



EurAsian Konformitetstegn



Ukrainsk merke for konformitet



Garantert lydnivå er 102 dB



Klasse II: Beskyttelse mot elektrisk støt er basert på dobbelisolering eller forsterket isolasjon.



Avfall fra elektriske produkter skal ikke kastes sammen med husholdningsavfall. Vennligst resirkulervedeksisterende avfallsbehandlingssted. Undersøk hos dine lokale myndigheter eller forhandler for råd om resirkulering.



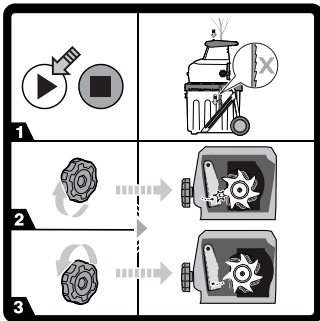
Start



Stopp



Bakover



Hvis produktet ikke kverner opp materiale, må muligens barberplaten justeres.

1. Slå på produktet.
2. Skru kutteplaten justeringsknott med klokken til du hører metall-på-metall-kontakt eller til du ser aluminiumsspon i bunnen av oppsamlingsbeholderen.
3. Etter 30 sekunder, skru knotten mot klokken fram til kutteplaten har et mellomrom på 1 mm fra knivbladene.

SYMBOLER I DENNE MANUALEN



Tilkoble til strømkontakten



Ta ut av strømkontakten



Deler eller tilbehør solgt separat



Nb



Advarsel



Lås



Låse opp



Hold hendene vekke fra kniven.

Følgende symboler og betydninger forklarer risikonivået som er assosiert med dette produktet.

⚠ FARE

Indikerer en øyeblikkelig farlig situasjon, som, hvis ikke unngås, kan resultere i død eller alvorlig personskade.

⚠ ADVARSEL

Indikerer en potensiell farlig situasjon, som, hvis ikke unngås, kan resultere i død eller alvorlig personskade.

⚠ FORSIKTIGHETSREGEL

Indikerer en potensiell farlig situasjon, som, hvis ikke unngås, kan resultere i mindre eller moderat personskade.

FORSIKTIGHETSREGEL

Uten sikkerhetsvarselsymbol

Indikerer en situasjon som kan føre til skade på eiendom.

FEILSØKING

PROBLEM	GRUNN	HANDLING
Motor går ikke.	Overbelastningsvernet har operert.	Vent på at motoren kjøles ned, trykk på beskyttelsesknappen for tilbakestilling under overbelastning av enhet. Slå på produktet igjen.
	Strømbrudd	Kontroller strømforsyningskabelen, pluggen, og hussikringen.
	Oppsamlingsbøtten er ikke satt inn i produktet og/eller sikkerhetsbryteren er ikke aktivert.	Sett inn oppsamlingsbøtten og dra opp sikkerhetsbryteren for å aktivere den.
Hageavfallet som skal kvernes, dras ikke inn.	Materialet har satt seg fast i innmatningstrakten.	Følg anvisningene i brukermanualen for å fjerne det som sitter fast.
	Barberplaten er for langt unna kutteenheten.	Følg anvisningene i brukermanualen for å justere platen.

При разработке этого электрического тихого измельчителя особое внимание уделялось безопасности, производительности и надежности.

НАЗНАЧЕНИЕ

Бесшумный электрический измельчитель предназначен для использования вне помещений в стационарном положении оператором стоя.

Изделие разработано для утилизации органических садовых отходов, таких как ветки, сучки и листья.

Изделие не предназначено для неорганических материалов, металла или веток, диаметр которых превышает максимально допустимое значение 45 мм.

Изделие должно крепиться к стойке и использоваться вместе с мусоросборником, поставляемыми в комплекте. Установка должны выполняться строго в соответствии с указаниями, приведенными в данном руководстве.

Не используйте устройство для каких-либо иных целей.

ОБЩИЕ ПРАВИЛА ТЕХНИКИ БЕЗОПАСНОСТИ

▲ ОСТОРОЖНО

Данное устройство не предназначено для использования детьми или лицами с ограниченными физическими, психическими или сенсорными возможностями. Дети должны находиться под наблюдением взрослых, чтобы они не играли рядом с работающим оператором или с изделием.

▲ ОСТОРОЖНО

При работе с устройством необходимо соблюдать общие правила безопасности, чтобы уменьшить риск возгорания, поражения электрическим током и получения травм. Внимательно полностью прочитайте эти инструкции по технике безопасности перед эксплуатацией изделия. Обязательно ознакомьтесь с элементами управления и правильным и безопасным использованием устройства. Сохраните данные инструкции для последующего использования.

Обучение

- Перед началом использования изделия ознакомьтесь с руководством пользователя.
- Никогда не позволяйте детям или людям, незнакомым с этими инструкциями, использовать данное изделие. Местные инструкции могут ограничить возраст оператора.
- Оператор или пользователь изделия несет ответственность за несчастные случаи и риски в отношении третьих лиц или их собственности.

ПОДГОТОВКА

- Запрещено использовать изделие в присутствии третьих лиц, особенно детей или животных.
- Запрещено использовать изделие при неблагоприятных погодных условиях или при угрозе возникновения молнии.
- При работе с устройством всегда надевайте средства защиты органов слуха и защитные очки.
- В процессе работы с изделием используйте плотную нескользящую обувь и длинные брюки. Не надевайте свободную одежду или одежду со свисающими шнурками или узлами. Не используйте изделие будучи босиком или в открытых сандалиях.
- Пользуйтесь изделием только на открытом пространстве (например, вдали от стен и неподвижных объектов), на твердой и ровной поверхности.
- Не работайте с инструментом на мощной или покрытой гравием поверхности, так как при этом выбрасываемый материал может привести к телесным повреждениям.
- Перед началом работы проверьте надежность крепления шурупов, гаек, болтов и других креплений, а также наличие мусоросборника. Обратитесь в авторизованный сервисный центр для замены поврежденных или нечитаемых этикеток.
- Перед использованием проверьте кабель питания и удлинитель на отсутствие повреждений или износ.

Если в процессе эксплуатации поврежден кабель питания, сразу же отключите вилку кабеля от сети питания. Не касайтесь кабеля при отключении его от сети питания. Не пользуйтесь инструментом, если кабель питания поврежден или изношен.

ЭЛЕКТРОБЕЗОПАСНОСТЬ

- Внимательно прочитайте эти инструкции по технике безопасности перед подключением устройства к источнику питания.
- Перед включением изделия убедитесь, что напряжение электросети соответствует показаниям на табличке с паспортными данными изделия. Производитель рекомендует подключать изделие к розетке электросети с автоматом защиты с током расщепления не более 30 А.
- Подключение к любому другому источнику питания может привести к повреждению устройства.
- Во избежание непредвиденной опасности для замены поврежденного кабеля питания обращайтесь к изготовителю, в его сервисную службу или квалифицированному специалисту.
- Если необходимо использовать удлинительный шнур, убедитесь, что он подходит для использования вне помещений, и допустимый ток достаточен для питания инструмента. Удлинительный шнур должен быть маркирован «H05 RN-F» или «H05 VV-F». Проверяйте его перед каждым использованием на предмет повреждений, всегда разматывайте его во время эксплуатации устройства, потому что спиральные шнуры могут перегреваться. Поврежденные удлинители не подлежат ремонту, их следует заменять аналогичным устройством.
- Во избежание повреждения шнуров и контакта с деталями, находящимися под напряжением, располагайте удлинительные шнуры вдали от опасных движущихся частей изделия.

ТРЕБОВАНИЯ БЕЗОПАСНОСТИ ПРИ ИСПОЛЬЗОВАНИИ ИЗМЕЛЬЧИТЕЛЯ

СБОРКА

- При установке изделия проверьте надежность его крепления, исключив возможность опрокидывания. См. стр. 197.

ЭКСПЛУАТАЦИЯ

- Перед запуском устройства убедитесь, что загрузочная камера пуста.
- Держите лицо и тело в стороне от входного отверстия.
- Не допускайте попадания рук и других частей тела или одежды в загрузочную камеру, выпускной лоток или в зону других движущихся частей.
- Сохраняйте устойчивость во время работы. Старайтесь сохранять устойчивость и подыскивайте твердую опору. Не перенапрягайте. Не стойте на уровне выше основания устройства при загрузке в его материала. Соблюдайте осторожность при использовании изделия на спуске. Передвигайтесь шагом, не бегайте.
- При работе с изделием держитесь вдали от зоны загрузки.
- При подаче материала в устройство будьте предельно внимательны, чтобы не допустить попадания в него металлических предметов, камней, бутылочного стекла, консервных банок и других посторонних предметов.
- В случае попадания в режущий механизм посторонних предметов, возникновения необычного шума или вибрации выключите изделие и дождитесь полной остановки лезвий. Отключите устройство от источника питания и выполните следующие действия:
 - осмотрите устройство на предмет повреждений;
 - проверьте и, при необходимости, затяните ослабленные детали;
 - Для замены и ремонта поврежденных деталей используйте только оригинальные запасные части RYOBI
- Не допускайте накопления обрабатываемого материала в

разгрузочном желобе, так как это может помешать надлежащему сбросу или вызвать засорение и привести к попаданию материала в устройство через всасывающее отверстие.

- При блокировке изделия выключите его и дождитесь полной остановки лезвий. Прежде чем очищать устройство от мусора, отключите его от источника питания.
- Запрещено использовать изделие, если защитные кожухи, крышки, мусоросборник или другие устройства безопасности повреждены, не установлены или неисправны.
- Если во время измельчения образуется пыль, надевайте подходящий респиратор для защиты дыхательных путей.
- Не перемещайте и не перевозите устройство при работающем двигателе.
- Выключите изделие и отсоедините его от источника электропитания. Убедитесь в полной остановке всех движущихся деталей:
 - перед тем, как оставить инструмент без присмотра
 - перед устранением засора
 - перед проверкой, очисткой и обслуживанием изделия.
- Не наклоняйте устройство во время работы двигателя.
- Запрещено вносить изменения в конструкцию деталей изделия или использовать детали, не рекомендованные RYOBI, это значительно повышает риск тяжелой травмы, которая может быть причинена как пользователю, так и третьему лицу.
- Всегда следите за тем, чтобы вентиляционные отверстия не засорялись мусором; в противном случае двигатель может перегреться, и в результате может произойти повреждение устройства или его возгорание.
- В случае аварии или поломки изделия немедленно выключите изделие и отсоедините его от электросети. Не используйте устройство, обратитесь в гарантийное обслуживание для дальнейшей проверки.

- Перед креплением или снятием мусоросборника выключите изделие.

▲ ОСТОРОЖНО

Слишком продолжительное использование инструмента может привести к травме. При использовании инструмента в течение длительного времени делайте регулярные перерывы.

ТРАНСПОРТИРОВКА И ХРАНЕНИЕ

- Тщательно очистите устройство перед постановкой на хранение и храните его в хорошо проветриваемом, чистом и сухом помещении в недоступном для детей месте.
- Дайте устройству остыть перед постановкой на хранение или транспортировкой.
- Для транспортировки закрепите устройство так, чтобы оно не могло перемещаться или упасть во избежание травмирования персонала или повреждения устройства.

ОБСЛУЖИВАНИЕ

Перед очисткой, проверкой и обслуживанием изделия отключите его, дождитесь полной остановки лезвий и отсоедините его от источника электропитания. Во время работы устройства режущий механизм становится горячим. Дайте устройству остыть перед чисткой, проверкой и регулировкой.

▲ ОСТОРОЖНО

Режущие лезвия чрезвычайно острые. Во избежание травм обращайтесь с изделием с крайней осторожностью при очистке или работе вблизи лезвий или внутри ограждений при снятом мусоросборнике. Всегда надевайте специальные прочные перчатки.

- Учитывайте, что режущие приспособления могут продолжать вращаться даже после выключения питания или срабатывания блокировочного выключателя.
- Чтобы достичь наилучших результатов работы устройства, его нужно

поддерживать в чистоте.

- Всегда выполняйте чистку устройства сразу после использования. Всегда, когда это возможно, используйте жесткую щетку для чистки внутри загрузочного и разгрузочного желоба, а также сухую ткань для чистки изделия снаружи.
- Не оставляйте остатки материала засыхать и отвердевать на поверхностях изделия, особенно на лезвиях. Это непосредственно влияет на эффективность измельчения.
- Следите за тем, чтобы загрузочный желоб и желоб выброса были чистыми и свободными от мусора.
- Убедитесь, что все гайки, болты и винты (кроме регулировочного винта) надежно затянуты.
- Ремонт или замена поврежденных или изношенных деталей должны осуществляться квалифицированным персоналом в авторизованном сервисном центре RYOBI.
- Не пытайтесь исключить из цепи блокирующие переключатели на мусоросборнике или передней крышке режущего блока.

▲ ОСТОРОЖНО

Не допускайте взаимодействия тормозных жидкостей, бензина, нефтепродуктов, пропиловочных масел и т.п. с пластмассовыми деталями. Запрещается использовать для чистки устройства тормозные жидкости, бензин, нефтепродукты и другие растворители. Большинство пластмасс восприимчиво, чтобы повредиться от различных типов коммерческих растворителей и может быть повреждено их использованием.

- Вы можете выполнять работы по обслуживанию, описанные в данном руководстве. Для проведения ремонта или консультаций следует обращаться в одобренный сервисный центр RYOBI.

РЕГУЛИРОВКА ИЗМЕЛЬЧАЮЩЕЙ ПЛАСТИНЫ

- Для максимальной эффективности устройства следуйте указанным ниже

инструкциям. Перед использованием всегда проверяйте, что лезвия не соприкасаются с режущей пластиной. Для обеспечения оптимальной производительности обеспечивайте зазор 1 мм между лезвиями и режущей пластиной.

- Если устройство не измельчает материал должным образом, необходимо отрегулировать режущую пластину или заточить лезвия.
- Время от времени лезвиям изделия требуется регулировка. Это выполняется путем регулировки режущей пластины, чтобы она слегка касалась лезвий. Проверьте, чтобы изделие было включено и работало в правильном направлении. Регулировка обрезной пластины при выключенном двигателе может привести к серьезному повреждению изделия.

ПРИМЕЧАНИЕ: Регулировку измельчающей пластины следует производить только в случае острой необходимости. При регулировке обрезной пластины слишком часто или слишком далеко возможна остановка изделия.

- При включенном изделии поверните регулятор по часовой стрелке.
- Если вы услышите звук удара металла о металл или увидите тонкую алюминиевую стружку на дне мусоросборника, прекратите регулировку и дайте изделию поработать в течение 30 секунд, чтобы заточить лезвия. После окончания заточки поверните регулятор против часовой стрелки, оставив интервал 1 мм.

ПРИМЕЧАНИЕ: При заточке лезвий требуется легкое касание режущей пластины. Любая регулировка должна выполняться медленно во избежание повреждения изделия. Неправильная регулировка пластины может привести к серьезному повреждению изделия.

БУДЬТЕ ВСЕГДА ОСТОРОЖНЫ

Даже когда изделие используют согласно инструкциям, невозможно полностью устранить факторы риска. Следующие опасные факторы могут возникнуть в

ходе использования, и оператор должен обращать особое внимание, чтобы избежать следующих опасностей:

- Травма, вызванная шумом.
 - Носите устройства защиты слуха и ограничивайте продолжительность шумового воздействия
- Травмы, вызываемые вдыханием пыли и ворсинок
 - При необходимости используйте защитную маску с фильтрующим элементом.
- Травмы, вызываемые контактом с режущими приспособлениями
 - Всегда принимайте такое положение, чтобы незащищенные части тела не приближались к режущему механизму.

СНИЖЕНИЕ РИСКА

Считается, что вибрация ручного инструмента может привести к проявлению у отдельных лиц так называемой болезни Рейно (Raynaud's Syndrome). К симптомам могут относиться покалывание, онемение и побеление пальцев (как при переохлаждении). Считают, что наследственные факторы, охлаждение и влажность, диета, курение и практический опыт способствуют развитию этих симптомов. Ниже приводятся меры, которые может принять оператор для снижения воздействия вибрации:

- Одевайтесь теплее в холодную погоду. При эксплуатации изделия носите перчатки, чтобы сохранить руки и запястья в тепле. Считается, что холодная погода является основным фактором, способствующим возникновению болезни Рейно (Raynaud's Syndrome).
- После каждого этапа работы выполните упражнения для усиления кровообращения.
- Чаще делайте перерывы в работе. Сократите длительность ежедневного пребывания на открытом воздухе.

При появлении каких-либо из указанных

симптомов сразу же прекратите работу и обратитесь по их поводу к врачу.

▲ ОСТОРОЖНО

Слишком продолжительное использование инструмента может привести к травме. При использовании инструмента в течение длительного времени делайте регулярные перерывы.

ИЗУЧИТЕ УСТРОЙСТВО

См. стр. 196.

1. Пусковой переключатель
2. Переключатель останова
3. Переключатель обратного хода
4. Кнопка сброса устройства защиты от перегрузки
5. Разгрузочный желоб
6. Рукоятка
7. Ручка регулировки режущей пластины
8. Колеса
9. Мусоросборник
10. Предохранительный выключатель
11. Толкатель материала

ПРИМЕЧАНИЕ: Поднятие предохранительного выключателя при установленном мусоросборнике активирует предохранительный выключатель.

РУКОВОДСТВО ПО ИЗМЕЛЬЧЕНИЮ

Для наиболее эффективного использования измельчителя следуйте инструкциям, приведенным в таблице.

МАТЕРИАЛ	СПОСОБ ИЗМЕЛЬЧЕНИЯ
Диаметр сучьев до 6 мм.	Загружайте материал в загрузочный желоб с такой скоростью, чтобы не допустить перегрузки изделия.
Диаметр веток до 45 мм.	Отсекайте все боковые ветви секатором перед подачей материала в загрузочный желоб.

Клумбовые растения, сорняки или ростки кустарников.

Во избежание повреждения лезвий удалите почву и камни с корней растений.

Сухие палки и ветки

В конце работ поместите в измельчитель сухие палки или ветки, это поможет убрать влагу и сок растений внутри изделия и с режущего устройства.

- Избегайте скопления садового мусора перед измельчением, так как он становится слишком влажным, превращается в компост и засоряет режущие приспособления. Чтобы полностью извлечь весь материал из разгрузочного желоба, используйте сухой материал. Оставьте напоследок несколько сухих веток, чтобы очистить поверхность лезвий.
- Постоянно отслеживайте количество накопившегося измельченного материала.
- Держите выход из разгрузочного желоба чистым для предотвращения засоров.
- При наполнении мусоросборника перед его опустошением необходимо выключить изделие.

▲ ОСТОРОЖНО

Не помещайте руки в разгрузочный лоток измельчителя, чтобы очистить его от измельченного материала, если изделие включено или подключено к электросети. Лезвия имеют острые кромки. Во избежание травм надевайте специальные перчатки и проявляйте крайнюю осторожность при чистке и удалении засоров.

▲ ОСТОРОЖНО

При подаче в устройство длинных деревянных веток/стеблей остерегайтесь рывков и вибраций, возникающих при захвате материала режущим приспособлением. Оператор должен носить средство защиты глаз во время эксплуатации изделия.

▲ ОСТОРОЖНО

Режущее приспособление может втянуть ветку/стебель в устройство. Не препятствуйте подаче материала, после того как подача началась. Всегда надевайте перчатки, чтобы предотвратить порезы при подаче материала в изделие.

ПРИМЕЧАНИЕ: При установке изделия проверьте надежность его крепления, исключив возможность опрокидывания (см. стр. 197, пункт 2 - 6).

ПРИМЕЧАНИЕ: При стандартных условиях работы не выключайте изделие до тех пор, пока весь измельченный материал не покинет режущий блок. При слишком частом отключении изделия остатки материала могут застревать в режущем блоке и останавливать двигатель при повторном включении.

УСЛОВНЫЕ ОБОЗНАЧЕНИЯ НА ПРОДУКТЕ



Внимательно прочитайте все инструкции перед началом работы с продуктом, соблюдайте все предупреждения и инструкции по безопасности.



Помните об опасности, которую представляют собой отбрасываемые устройством или вылетающие из-под него предметы. Не допускайте приближения посторонних лиц, особенно детей и домашних животных к рабочей зоне ближе чем на 15 м



Опасность - вращающиеся лезвия. Не приближайтесь к отверстиям во время работы устройства.



Для проведения технического обслуживания изделия или при повреждении шнура выключите изделие и отключите его от электропитания.



Надевайте средства защиты органов зрения и слуха.



Не становитесь на устройство.



Не прикасайтесь к деталям устройства, пока они полностью не остановятся.



Надевайте нескользящие перчатки для работы в тяжелых условиях.



Настоящий инструмент отвечает всем официальным стандартам страны ЕС, в которой он был приобретен.

Знак Евразийского Соответствия Сертификат Соответствия № TC RU C-DE. PC52.V.01360



Срок действия Сертификата Соответствия По 30.08.2023
ООО «Региональный центр оценки соответствия»
123060, город Москва,
улица Маршала Рыбалко,
дом2, корпус 9, помещение 638.



Украинский знак стандартизации



Гарантированный уровень звуковой мощности 102 дБ



Класс II: Защита против поражения электрическим током обеспечивается двойной изоляцией или усиленной изоляцией.



Отработанная электротехническая продукция должна уничтожаться вместе с бытовыми отходами. Утилизируйте, если имеется специальное техническое оборудование. По вопросам утилизации проконсультируйтесь с местным органом власти или предприятием розничной торговли.



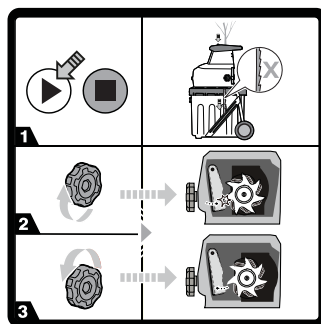
Пуск



Стоп



Назад



Если устройство не измельчает материал должным образом, необходимо отрегулировать режущую пластину.

1. Включите прибор.
2. Поверните ручку регулировки обрезной пластины по часовой стрелке до звука контакта металла с металлом или пока не увидите металлическую стружку в мусоросборнике.
3. Через 30 секунд поверните ручку против часовой стрелки так, чтобы обрезная пластина была расположена в 1 мм от лезвий.

УСЛОВНЫЕ ОБОЗНАЧЕНИЯ В ДАННОМ РУКОВОДСТВЕ



Подключение к сетевой розетке



Отсоединение от сетевой розетки



Детали или принадлежности, приобретаемые отдельно



Примечание



Осторожно



Сцепить



Расцепить



Не касайтесь режущих полотен.

Следующие сигнальные слова и значения предназначены, чтобы объяснить уровни риска, связанного с этим изделием.

ОПАСНО

Указывает неизбежно опасную ситуацию, которая, если не избежать, кончится смертельным или серьезным ущербом.

ОСТОРОЖНО

Указывает потенциально опасную ситуацию, которая, если не избежать, может кончаться смертельным или серьезным ущербом.

ПРЕДОСТЕРЕЖЕНИЕ

Указывает потенциально опасную ситуацию, которая, если не избежать, может кончаться малым или уменьшенным ущербом.

ПРЕДОСТЕРЕЖЕНИЕ

Употребляется без предупреждающего знака

Указывает на ситуацию, которая может привести к повреждению имущества.

ПОИСК НЕИСПРАВНОСТЕЙ

ПРОБЛЕМА	ПРИЧИНА	ДЕЙСТВИЕ
Двигатель не работает.	Сработало устройство защиты от перегрузки.	Дайте двигателю остыть и нажмите кнопку сброса устройства защиты от перегрузки. Снова включите изделие.
	Отключение электропитания	Проверьте кабель питания, розетку и предохранители здания.
	Мусоросборник не установлен на изделие и/или предохранительный выключатель не активирован.	Установите мусоросборник и поднимите предохранительный переключатель для его активации.
Материал для измельчения не заходит.	Застревание материала в загрузочной воронке.	Следуйте инструкции в данном руководстве для удаления засорений.
	Режущая пластина установлена слишком далеко от режущих приспособлений.	Следуйте инструкции в данном руководстве для регулировки режущей пластины.

Транспортировка:

Категорически не допускается падение и любые механические воздействия на упаковку при транспортировке.

При разгрузке/погрузке не допускается использование любого вида техники, работающей по принципу зажима упаковки.

Хранение:

Необходимо хранить в сухом месте.

Необходимо хранить вдали от источников повышенных температур и воздействия солнечных лучей.

При хранении необходимо избегать резкого перепада температур.

Хранение без упаковки не допускается.

Срок службы изделия:

Срок службы изделия составляет 5 лет.

Не рекомендуется к эксплуатации по истечении 5 лет хранения с даты изготовления без предварительной проверки.

Дата изготовления (код даты) отштампован на поверхности корпуса изделия.

Пример:

W17 Y2015, где Y2015 - год изготовления

W17 – неделя изготовления

Определить месяц изготовления можно согласно приведенной ниже таблице, на примере 2015 года.

Обратите внимание! Количество недель в месяце различается от года в год.

Месяц	Январь	Февраль	Март	Апрель	Май	Июнь	Июль	Август	Сентябрь	Октябрь	Ноябрь	Декабрь	Год
Неделя	01	05	09	14	18	22	27	31	36	40	44	49	2015
	02	06	10	15	19	23	28	32	37	41	45	50	
	03	07	11	16	20	24	29	33	38	42	46	51	
	04	08	12	17	21	25	30	34	39	43	47	52	
	05	09	13	18	22	26	31	35	40	44	48	53	
			14			27							

W przypadku tej elektrycznej cichej rozdrabniarki zwrócono szczególną uwagę na zapewnienie bezpieczeństwa, wysokiej wydajności oraz niezawodności.

PRZEZNACZENIE URZĄDZENIA

Ten cichy rozdrabniacz elektryczny został zaprojektowany z myślą o użytku na zewnątrz w pozycji nieruchomej, przez stojącego na gruncie operatora.

Produkt służy do ograniczania objętości odpadów ogrodowych, takich jak gałęzie i liście.

Produkt nie jest przeznaczony do przetwarzania nieorganicznych materiałów, metalu lub materiału o średnicy przekraczającej dopuszczalny rozmiar przetwarzania urządzenia, który wynosi 45 mm.

Produkt musi zostać zamontowany na przewidzianym do tego celu stojaku i używany wraz z dostarczonym pojemnikiem na odpady. Nie wolno montować w inny sposób niż przedstawiono w tym podręczniku.

Nie używać do żadnych innych celów.

OGÓLNE ZASADY BEZPIECZEŃSTWA

▲ OSTRZEŻENIE

Produkt ten nie jest przeznaczony do użytkowania przez dzieci lub osoby o ograniczonych zdolnościach fizycznych, umysłowych lub sensorycznych. Małe dzieci powinny być nadzorowane przez osobę inną niż operatora urządzenia, aby nie bawiły się urządzeniem lub w jego pobliżu.

▲ OSTRZEŻENIE

Podczas używania produktu należy stosować podstawowe środki ostrożności ograniczające ryzyko pożaru, porażenia prądem lub obrażeń ciała. Należy uważnie przeczytać wszystkie zasady oraz instrukcje przed rozpoczęciem korzystania z produktu. Należy zapoznać się z elementami obsługowymi oraz zasadami prawidłowego i bezpiecznego użytkowania produktu. Niniejszą instrukcję należy przechowywać w bezpiecznym miejscu, aby można jej było użyć także w późniejszym czasie.

Szkolenie

- Przed próbą rozpoczęcia korzystania z produktu należy zapoznać się z przewodnikiem użytkownika.
- Nigdy nie wolno pozwalać obsługiwać tego produktu dzieciom ani osobom nieznającym tych instrukcji. Lokalne przepisy mogą ograniczać dopuszczalny wiek operatora.
- Operator lub użytkownik produktu ponosi odpowiedzialność za wypadki lub zagrożenia dla innych osób lub ich mienia.

PRZYGOTOWANIE

- Nigdy nie używać urządzenia w pobliżu osób postronnych — zwłaszcza dzieci — i zwierząt domowych.
- Nigdy nie używać urządzenia przy złej pogodzie lub gdy istnieje ryzyko uderzenia pioruna.
- Cały czas podczas obsługi maszyny zakładać środki ochrony słuchu i okulary ochronne.
- W trakcie obsługi produktu zawsze nosić solidne (antypoślizgowe) obuwie i spodnie z długimi nogawkami. Unikać zakładania luźnej odzieży, ze sznurkami lub krawatem. Nie używać produktu boso lub w otwartych sandałach.
- Produkt należy użytkować wyłącznie w otwartej przestrzeni (np. nie blisko ściany lub zamocowanego przedmiotu) i na twardym, płaskim podłożu.
- Nie uruchamiać maszyny na powierzchni zwirowej lub utwardzonej, gdzie wyrzucany materiał może spowodować zranienie.
- Przed uruchomieniem produktu należy sprawdzić, czy wszystkie wkręty, nakrętki, śruby i inne elementy mocujące są prawidłowo zamocowane, jak również czy osłony i pojemnik na odpady znajdują się na swoim miejscu. Jeśli etykiety są uszkodzone lub nieczytelne, należy zwrócić produkt do punktu serwisowego w celu wymiany etykiet.
- Przed rozpoczęciem użytkowania należy sprawdzić, czy kabel zasilania i przedłużacz nie są uszkodzone lub zużyte. W przypadku uszkodzenia przewodu zasilania podczas pracy, należy natychmiast wyjąć wtyczkę z gniazda zasilania. Nie dotykać przewodu zasilania przed odłączeniem zasilania.

Nie używać urządzenia w przypadku uszkodzenia lub zużycia kabla zasilania.

ZASADY BEZPIECZEŃSTWA DOTYCZĄCE OBSŁUGI URZĄDZEŃ ELEKTRYCZNYCH

- Przed podłączeniem produktu do źródła zasilania należy dokładnie przeczytać te instrukcje bezpieczeństwa.
- Przed włączeniem należy upewnić się, że napięcie zasilania jest takie samo, jak podane na tabliczce znamionowej. Producent zaleca podłączenie do gniazda zasilającego zabezpieczonego przez wyłącznik różnicowoprądowy o prądzie wyzwalającym nie większym niż 30 mA.
- Podłączenie do innego źródła zasilania może spowodować uszkodzenie.
- Uszkodzony przewód sieciowy powinien zostać wymieniony przez producenta, autoryzowany punkt serwisowy lub inną osobę posiadającą do tego odpowiednie kwalifikacje.
- Jeśli konieczne jest użycie przedłużacza, należy upewnić się, że nadaje się on do stosowania na zewnątrz pomieszczeń oraz że ma parametry (moc podłączonych urządzeń) umożliwiające podłączenie danego urządzenia. Przedłużacz powinien mieć oznaczenie „H05 RN-F” lub „H05 VV-F”. Przed każdym użyciem należy sprawdzić, czy nie ma uszkodzeń i zawsze należy go rozwinąć, ponieważ zwinięty przewód może się przegrzewać. Nie wolno naprawiać uszkodzonych przedłużaczy. Należy wymienić je na produkt o takich samych parametrach.
- Przedłużacze należy trzymać z dala od ruchomych części niebezpiecznych, aby uniknąć uszkodzeń przewodów, które mogą prowadzić do kontaktu z częściami znajdującymi się pod napięciem.

OSTRZEŻENIA BEZPIECZEŃSTWA DLA ROZDRABNIACZA

MONTAŻ

- Konfigurując produkt przed rozpoczęciem pracy należy upewnić się, że jest on zabezpieczony przed przewróceniem się. *Patrz strona 197.*

SPOSÓB UŻYCIA

- Przed uruchomieniem maszyny upewnić się, że komora załadunkowa jest pusta.
- Trzymać twarz i całe ciało z dala od otworu załadunkowego.
- Nie zbliżać rąk, stóp ani żadnej innej części ciała ani odzieży do komory załadunkowej, zsuwni ani żadnej ruchomej części.
- Zawsze zwracać uwagę na zachowanie bezpiecznej odległości stóp od urządzenia. Należy cały czas pewnie opierać stopy i utrzymywać równowagę. Nie wychylać się nadmiernie. Nie wolno stać wyżej niż podstawa maszyny podczas załadunku materiału. Należy zachować ostrożność podczas stosowania urządzenia na pochyłym podłożu. Podczas pracy należy chodzić, nie wolno biegać.
- Podczas pracy z produktem należy zawsze trzymać się z dala od strefy wyładowczej.
- Podczas załadunku materiału do maszyny zachować szczególną ostrożność, aby elementy metalowe, kamienie, butelki, puszki lub inne przedmioty obce nie trafiły do maszyny.
- Jeśli mechanizm tnący uderzy w jakiegokolwiek ciała obce lub jeśli zacznie wydawać nietypowe odgłosy bądź wibrować, należy wyłączyć produkt i odczekać, aż ostrza się całkowicie zatrzymają. Odłączyć produkt od źródła zasilania i wykonać następujące działania:
 - sprawdzić na oznaki uszkodzeń;
 - sprawdzić, czy nie ma obłuzowanych elementów i w razie potrzeby dokręcić je;
 - Wszelkie uszkodzone części powinny być naprawione lub wymienione na oryginalne części RYOBI
- Nie należy dopuścić do gromadzenia się materiału w wyrzutniku, ponieważ może to uniemożliwić prawidłowe odprowadzanie materiału i może doprowadzić do odskoku materiału przez otwór podający.
- Jeśli w produkcie wystąpi zator, należy go wyłączyć i całkowicie zatrzymać noże tnące. Odłączyć produkt od źródła zasilania przed usuwaniem zanieczyszczeń.
- Nigdy nie używać produktu, jeśli osłony, pokrywy, pojemnik na odpady lub inne urządzenia zabezpieczające są uszkodzone, nie znajdują się na swoim

miejscu lub nie działają prawidłowo.

- Jeśli na skutek rozdrabniania powstaje pył, należy nosić odpowiednią maskę przeciwpyłową, aby nie dopuścić do podrażnienia układu oddechowego.
- Nie przenosić ani nie transportować produktu, gdy silnik pracuje.
- Wyłączyć produkt i odłączyć go od źródła zasilania. Upewnić się, że wszystkie elementy ruchome zostały całkowicie zatrzymane:
 - przed pozostawieniem produktu bez nadzoru
 - przed usunięciem zatoru
 - przed sprawdzeniem, czyszczeniem lub konserwacją produktu.
- Nie przechylać produktu, gdy silnik pracuje.
- Nigdy nie modyfikować części produktu ani nie używać części niezalecanych przez RYOBI, ponieważ może to spowodować poważne obrażenia ciała u operatora lub innych osób.
- Zawsze należy dopilnować, aby otwory wentylacyjne były czyste i wolne od zanieczyszczeń; w przeciwnym razie może dojść do przegrzania produktu i jego uszkodzenia lub zwiększy się ryzyko pożaru.
- W razie wypadku lub awarii produkt należy natychmiast wyłączyć i odłączyć od sieci zasilającej. Nie należy włączać produktu ponownie, dopóki nie zostanie w pełni sprawdzony przez autoryzowane centrum serwisowe.
- Przed założeniem lub zdemontowaniem pojemnika na odpady należy wyłączyć produkt.

▲ OSTRZEŻENIE

Długotrwałe użytkowanie narzędzia może spowodować obrażenia ciała lub nasilić dolegliwości zdrowotne. W przypadku używania narzędzia przed dłuższy czas należy pamiętać o regularnych przerwach.

TRANSPORT I PRZECHOWYWANIE

- Należy upewnić się, że produkt został dokładnie wyczyszczony przed schowaniem w czystym, suchym miejscu; produkt musi być dobrze zabezpieczony

przed dostępem dzieci.

- Przed schowaniem lub transportem produktu należy odczekać aż produkt ostygnie.
- W przypadku transportu produktu należy zabezpieczyć go przed przemieszczaniem się lub upadkiem, aby nie dopuścić do obrażeń ciała lub uszkodzenia urządzenia.

KONSERWACJA

Przed czyszczeniem, inspekcją lub przeglądem urządzenia należy je wyłączyć i odczekać, aż ostrza całkowicie się zatrzymają, a następnie odłączyć zasilanie. Po pewnym czasie rozdrabniania mechanizm tnący stanie się gorący. Przed czyszczeniem, kontrolą lub regulacją należy odczekać, aż element całkowicie ostygnie.

▲ OSTRZEŻENIE

Ostrza są bardzo ostre. Aby uniknąć obrażeń, należy zachować szczególną ostrożność podczas czyszczenia lub pracy w pobliżu ostrzy lub w otwartej obudowie po zdemontowaniu pojemnika na odpady. Zawsze należy nosić grube rękawice ochronne.

- Należy pamiętać, że ostrza nadal mogą się obracać, nawet jeśli zasilanie zostało wyłączone lub jeśli włączony jest przełącznik blokady.
- Aby zapewnić najwyższą wydajność pracy produktu, należy dbać o jego czystość.
- Produkt zawsze należy czyścić bezpośrednio po użyciu. Jeśli jest to możliwe, otwór podajnika i wylotu należy czyścić twardą szczotką, a zewnętrzne elementy produktu należy czyścić suchą szmatką.
- Nie dopuścić do wyschnięcia i stwardnienia materiału na którejkolwiek z powierzchni produktu, a w szczególności na ostrzach. Będzie to bezpośrednio wpływać na skuteczność rozdrabniania.
- Należy dopilnować, aby otwór podajnika oraz otwór wylotowy były czyste i wolne od pozostałości.
- Należy upewnić się, czy wszystkie nakrętki, wkręty i śruby (z wyjątkiem śruby regulacyjnej) są dobrze dokręcone i zabezpieczone.

- Wszelkie uszkodzone lub zużyte części zawsze powinny być naprawiane lub wymieniane przez wykwalifikowany personel w zatwierdzonych punktach serwisowych Ryobi.
- Nigdy nie próbować omijać blokad na pojemniku na odpady lub przedniej pokrywce zespołu tnącego.

▲ OSTRZEŻENIE

Nie wolno dopuścić do kontaktu plastikowych części z płynem hamulcowym, benzyną, produktami ropopochodnymi, olejami penetrującymi itp. Do czyszczenia tego urządzenia nie używać płynów hamulcowych, benzyny, środków ropopochodnych ani rozpuszczalników. Większość plastików jest wrażliwa na rozmaite rozpuszczalniki dostępne w handlu i może ulec uszkodzeniu przez ich stosowanie.

- Użytkownik może przeprowadzać czynności konserwacyjne opisane w tej instrukcji. W związku z innymi naprawami lub poradami należy zwrócić się z prośbą o pomoc do autoryzowanego centrum serwisowego RYOBI.

REGULACJA PŁYTY SKRAWAJĄCEJ

- Produkt pracuje najbardziej efektywnie, gdy spełnione są następujące warunki. Przed użyciem zawsze należy sprawdzić, czy ostrza nie stykają się z płytą strugową. W celu zapewnienia optymalnej pracy należy zachować przestrzeń 1 mm pomiędzy ostrzami i płytą strugową.
 - Jeśli produkt nie rozdrabnia materiału, może być wymagane wyregulowanie płyty strugowej lub naostrzenie ostrzy.
 - Z czasem wymagane jest przeprowadzenie regulacji ostrzy w produkcie. Można to zrobić, regulując płytę strugową w taki sposób, aby lekko zetknęła się z ostrzami. Upewnić się, że produkt jest włączony i pracuje w normalnym kierunku — do przodu. Regulowanie płytki ostrzącej przy wyłączonym silniku może spowodować poważne uszkodzenie produktu.
- UWAGA:** Regulacji płyty skrawającej należy dokonywać wyłącznie, gdy jest to całkowicie niezbędne. Zbyt częsta

regulacja płytki ostrzącej lub wysuwanie jej zbyt daleko może spowodować, że produkt przestanie działać.

- Podczas pracy produktu obrócić pokrętko w prawo.
 - Gdy słychać, że metal styka się z metalem lub widoczne są drobne aluminiowe opiłki na dole pojemnika odbiorczego, należy zatrzymać regulację i pozostawić uruchomiony produkt na 30 sekund, aby naostrzyć ostrza. Po zakończeniu ostrzenia obracać pokrętko w lewo do momentu utraty kontaktu z płytką ostrzącą, pozostawiając odstęp 1 mm.
- UWAGA:** Ostrzenie ostrzy wymaga bardzo lekkiego kontaktu ostrzy z płytą strugową. Wszelkie regulacje należy przeprowadzać powoli, aby uniknąć uszkodzenia produktu. Zbyt mocne dociśnięcie płyty może spowodować poważne uszkodzenie produktu.

POZOSTAŁE RYZYKA

Nawet jeśli produkt jest używany zgodnie z zaleceniami, nadal nie jest możliwe wyeliminowanie określonych czynników ryzyka. Następujące zagrożenia mogą wystąpić podczas używania urządzenia i operator powinien zwracać szczególną uwagę na poniższe punkty:

- Urazy ciała spowodowane hałasem
 - Należy nosić środki ochrony uszu oraz ograniczyć poziom narażenia
- Urazy spowodowane wdychaniem pyłu i kurzu.
 - W razie potrzeby należy nosić maskę z filtrem.
- Urazy spowodowane kontaktem z ostrzami
 - Niezabezpieczone części ciała zawsze powinny znajdować się z dala od mechanizmu tnącego.

OGRANICZENIE RYZYKA

Badania dowodzą, że wibracje powodowane przez narzędzia ręczne mogą wywoływać u niektórych osób objawy syndromu Raynauda. Typowe objawy to mrowienie, drętwienie i blednięcie palców, widoczne zwykle po wystawieniu na działanie zimna. Uważa się, że czynniki dziedziczne, wystawienie



na działanie zimna i wilgoci, dieta, palenie papierosów i przyjęte zwyczaje przyczyniają się do rozwoju tych objawów. Istnieją działania, które może podjąć operator maszyny w celu ograniczenia skutków emisji drgań:

- Zadać w niskich temperaturach o ciepłotę własnego ciała, zakładając odpowiednie ubranie. Podczas obsługi produktu należy nosić rękawice, aby dłonie i nadgarstki były ciepłe. Wiadomo, że niskie temperatury są główną przyczyną powstawania objawu Raynauda.
- Podczas przerw w pracy należy wykonywać ćwiczenia poprawiające krążenie krwi..
- Podczas pracy robić częste przerwy. Ograniczyć ekspozycję w ciągu dnia.

W razie doświadczenia dowolnego z wymienionych objawów, należy niezwłocznie zaprzestać użytkowania tego urządzenia i skontaktować się z lekarzem.

▲ OSTRZEŻENIE

Długotrwałe użytkowanie narzędzia może spowodować obrażenia ciała lub nasilić dolegliwości zdrowotne. Używając narzędzia przez dłuższy czas, należy pamiętać o systematycznych przerwach.

POZNAJ SWÓJ PRODUKT

Patrz strona 196.

1. Przełącznik uruchamiający
2. Przełącznik zatrzymujący
3. Przełącznik biegu wstecznego
4. Przycisk zerowania urządzenia zabezpieczającego przed przeciążeniem
5. Otwór podawania
6. Rękojeść
7. Pokrętko regulacji płyty strugowej
8. Koło
9. Pojemnik na odpady
10. Przełącznik bezpieczeństwa
11. Popychacz materiału

UWAGA: Pociągnięcie przełącznika bezpieczeństwa w górę po włożeniu pojemnika na odpady do produktu powoduje aktywację przełącznika bezpieczeństwa.

PROWADNICA ROZDRABNIANIA

Aby uzyskać najlepsze efekty rozdrabniania, należy postępować zgodnie z zaleceniami podanymi w poniższej tabeli.

MATERIAŁ	SPOSÓB ROZDRABNIANIA
Gałązki boczne o średnicy do 6 mm.	Podawać materiał do otworu podajnika w takim tempie, aby przeciążać produktu.
Gałęzie główne o średnicy do 45 mm.	Przyciąć wszystkie boczne gałęzie sekatorem przed włożeniem materiału do otworu podajnika.
Rośliny okrywowe, chwasty i krzewy.	Usunąć ziemię i kamienie z korzeni, aby uniknąć uszkodzenia ostrzy.
Suche patyki i gałęzie	Włożenie takich materiałów na końcu rozdrabniarki pomoże usunąć wilgoć i soki roślinne z wnętrza rozdrabniarki oraz zespołu tnącego.

- Nie dopuszczać do nagromadzenia się odpadów przed rozdrabnianiem, ponieważ zaczną one gnić, staną się zbyt wilgotne i zablokują ostrza. Suchy materiał ułatwi usunięcie większości materiału z otworu wylotowego. Pozostawić suche patyki na koniec, aby ułatwić oczyszczanie ostrzy.
- Należy regularnie sprawdzać stopień nagromadzenia rozdrabnianego materiału.
- Aby nie doszło do zablokowania urządzenia, wylot otworu wyrzutowego zawsze musi być czysty.
- Przed opróżnieniem pełnego pojemnika na odpady należy wyłączyć produkt.



▲ OSTRZEŻENIE

Nie wkładać dłoni do rynny spustowej rozdrabniacza w celu usunięcia rozdrobnionego materiału, gdy produkt jest włączony lub podłączony do zasilania sieciowego. Ostrza są ostre. Przy czyszczeniu i usuwaniu zablokowanego materiału należy nosić grube rękawice i zachować szczególną ostrożność.

▲ OSTRZEŻENIE

Przy wkładaniu do produktu długich zdrewniałych gałęzi/łodyg należy uważać na bicie i wibracje, gdy materiał zostanie pochwycony przez ostrza. Operator podczas obsługi produktu zawsze musi nosić okulary ochronne.

▲ OSTRZEŻENIE

Ostrze ma tendencję do wciągania gałęzi/łodyg do produktu. Nie należy usiłować wyciągać materiału, który już został pochwycony przez maszynę. Zawsze należy nosić rękawice, aby nie dopuścić do skaleczenia rąk podczas wkładania materiału do produktu.

UWAGA: Konfigurując produkt przed rozpoczęciem pracy należy upewnić się, że jest on zabezpieczony przed przewróceniem się (patrz strona 197, krok 2 - 6).

UWAGA: W normalnych warunkach użytkowania nie wyłączać produktu, dopóki cały rozdrobniony materiał nie opuści zespołu rozdrabniającego. Jeśli produkt zostanie wyłączony zbyt szybko, pozostałe kawałki materiału mogą zatkać zespół ostrza i zatrzymać silnik po ponownym włączeniu produktu.

SYMBOLE UMIESZCZONE NA PRODUKCIE



Należy przeczytać i zrozumieć wszystkie instrukcje przed rozpoczęciem obsługi produktu oraz przestrzegać wszystkich ostrzeżeń i instrukcji dotyczących bezpieczeństwa.



Uwaga na odrzucone przedmioty. Wszystkie osoby postronne, a szczególnie dzieci i zwierzęta, muszą znajdować się w odległości przynajmniej 15 metrów od miejsca pracy.



Niebezpieczeństwo – ruchome ostrza. Nie należy zbliżać rąk ani nóg do otworów podczas pracy produktu.



Przed konserwacją lub w przypadku uszkodzenia przewodu należy wyłączyć produkt i wyjąć wtyczkę z gniazdka.



Zakładać środki ochrony wzroku i słuchu.



Nie używać jako stopnia.



Przed dotknięciem maszyny należy poczekać, aż wszystkie jej elementy zatrzymają się całkowicie.



Należy nosić antypoślizgowe, grube rękawice ochronne.



Produkt spełnia wszystkie wymagania norm w kraju należącym do Unii Europejskiej, gdzie produkt został zakupiony.



Oznaczenie zgodności EurAsian



Ukraiński znak zgodności



Gwarantowany poziom mocy akustycznej wynosi 102 dB



Klasa II: Zabezpieczenie przed porażeniem prądem elektrycznym jest zrealizowane przez podwójną lub wzmocnioną izolację.



Zużyte produkty elektryczne nie powinny być utylizowane z odpadami domowymi.

Prosimy poddawać recyklingowi w odpowiednich miejscach. Informacje o właściwych metodach recyklingu można uzyskać u władz lokalnych lub sprzedawcy.



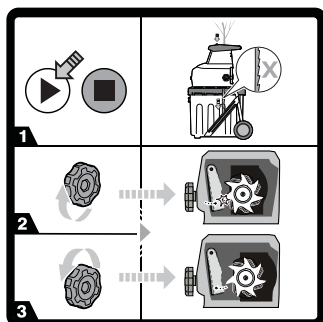
Uruchamianie



Zatrzymaj



Wstecz



Jeśli produkt nie rozdrabnia materiału, może to oznaczać, że płyta strugowa wymaga regulacji.

1. Włączyć produkt.
2. Obrócić pokrętkę regulacji płytki ostrzącej w prawo do momentu usłyszenia odgłosu kontaktu metalu z metalem lub do momentu gdy na dnie pojemnika pojawią się drobne wióry aluminiowe.
3. Po 30 sekundach zacząć obracać pokrętkę w lewo, aż do momentu, gdy płytka ostrząca znajdzie się w odległości 1 mm od ostrzy.

SYMBOLE STOSOWANE W NINIEJSZEJ INSTRUKCJI



Podłączyć do gniazda zasilania



Odłączyć z gniazda zasilania



Części lub akcesoria sprzedawane osobno



Uwaga



Ostrzeżenie!



Zamknięte



Otwarte



Nie zbliżać rąk do ostrzy.

Poniższe symbole i nazwy które im nadano, pozwalają wyjaśnić różne poziomy ryzyka związanego z używaniem tego narzędzia.

⚠ NIEBEZPIECZEŃSTWO

Wskazuje na realne zagrożenie, które może spowodować śmierć lub poważne zranienie, jeżeli się nie uniknie tego niebezpieczeństwa.

⚠ OSTRZEŻENIE

Wskazuje na potencjalne zagrożenie, które może spowodować śmierć lub poważne zranienie, jeżeli się nie uniknie tego niebezpieczeństwa.

⚠ UWAGA

Wskazuje na potencjalne zagrożenie, które może spowodować mniejsze lub bardziej poważne zranienie, jeżeli się nie uniknie tego niebezpieczeństwa.

UWAGA

Bez symbolu ostrzeżenia

Wskazuje na zagrożenie, które może spowodować szkody materialne.

ROZWIĄZYWANIE PROBLEMÓW

PROBLEM	PRZYCZYNA	AKCJA
Silnik nie działa.	Nastąpiło wyzwolenie urządzenia zabezpieczającego przed przeciążeniem.	Poczekać, aż silnik ostygnie, a następnie nacisnąć przycisk zerowania urządzenia zabezpieczającego przed przeciążeniem. Włączyć produkt ponownie.
	Awaria zasilania	Sprawdzić przewód zasilający, wtyczkę i bezpiecznik instalacji elektrycznej.
	Pojemnik na odpady nie został zamontowany w produkcie i/lub wyłącznik bezpieczeństwa nie jest aktywny.	Wprowadzić pojemnik na odpady, a następnie pociągnąć przełącznik bezpieczeństwa w górę, aby go aktywować.
Materiał do rozdrabniania nie jest wciągnięty.	Materiał uległ zakleszczeniu w leju zasypowym.	W celu usunięcia zablokowanego materiału należy postępować zgodnie z instrukcją podaną w podręczniku.
	Płyta strugowa znajduje się za daleko elementów tnących.	Należy postępować zgodnie z instrukcją regulacji płyty strugowej podaną w podręczniku.

Bezpečnost, výkon a spolehlivost je hlavní prioritou při návrhu vašeho tichého elektrického drtiče.

ZAMÝŠLENÉ POUŽITÍ

Tento nehluký elektrický drtič je určen k venkovnímu používání ve statické poloze vedle obsluhy, která stojí na zemi.

Drtič slouží k snížení objemu organických zahradních odpadních materiálů, například větví a listů.

Tento výrobek je nevhodný pro drcení kovových materiálů nebo neorganického materiálu či materiálu, který přesahuje průměr 45 mm pro drcení.

Drtič musí být připevněn na poskytnutý stojan a musí být používán s poskytnutou sběrnou nádobou. Nesmí být namontováno jiným způsobem než je uvedeno v této příručce.

Přístroj nepoužívejte ji k jiným účelům.

OBECNÁ BEZPEČNOSTNÍ PRAVIDLA

⚠ VAROVÁNÍ

Tento nástroj není určen pro používání osobami, včetně dětí, pokud jsou jejich fyzické, pohybové nebo mentální schopnosti sníženy. Vždy je nutný dohled nad dětmi, aby se zajistilo, že si nebudou s výrobkem hrát.

⚠ VAROVÁNÍ

Pokud výrobek používáte, měly by se dodržovat základní bezpečnostní předpisy za účelem snížení nebezpečí požáru, úrazu elektřinou a osobní újmy. Před použitím si řádně přečtěte všechny bezpečnostní pokyny k tomuto výrobku. Seznamte se všemi ovládanými a řádným a bezpečným používáním tohoto zahradního drtiče. Tyto pokyny uschovejte pro příští použití.

ZAŠKOLENÍ

- Před používáním drtiče se obeznamte s uživatelským návodem.
- Nenechejte děti nebo osoby neseznámené s těmito pokyny pracovat s výrobkem. Místní předpisy mohou omezovat dobu obsluhy.
- Obsluha nebo uživatel drtiče nese

odpovědnost za vzniklé nehody a nebezpečí pro další osoby nebo jejich majetek.

PŘÍPRAVA

- Drtič nikdy nepoužívejte v blízkosti dalších subjektů, obzvláště dětí a zvířat.
- Drtič nikdy nepoužívejte za špatného počasí a při riziku zásahu bleskem.
- Po celou dobu používání stroje noste ochranu sluchu a bezpečnostní brýle.
- Při obsluze drtiče vždy noste vhodnou (protiskluzovou) obuv a dlouhé kalhoty. Zamezte nošení volných oděvů, nebo které mají vlající šňůrky nebo pásky. Drtič nepoužívejte naboso ani v sandálech.
- Drtič používejte v otevřeném prostoru (například dále od zdí a statických předmětů) a na pevném, vodorovném povrchu.
- Neprovazujte stroj na dlážděné nebo šterkové ploše, kdy by mohl vystřelený materiál způsobit poranění.
- Před spuštěním drtiče zkontrolujte, zda jsou řádně utaženy všechny vruty, matice, šrouby a další spojovací prvky a zda jsou správně umístěny ochranné kryty a sběrná nádoba. Odevzdejte nejbližšímu servisnímu středisku k výměně poškozených či nečitelných štítků.
- Před používáním zkontrolujte napájení a prodlužovací kabel na známky poškození nebo opotřebování. Pokud se kabel zničí během používání, odpojte kabel ihned z elektrické zásuvky. Nedotýkejte se kabelu před odpojením z elektrické zásuvky. Nepoužívejte nástroj, když je kabel poškozen nebo ve špatném stavu.

ELEKTRICKÁ BEZPEČNOST

- Před zapojením výrobku do elektrické sítě si prosím řádně přečtěte bezpečnostní pokyny.
- Před zapnutím napájení se ubezpečte, že je napájecí napětí stejné jako to, které je uvedeno na přístrojovém štítku. Výrobce doporučuje připojení do napájecí zásuvky s proudovým chráničem citlivosti 30 mA.
- Jiné napájecí zdroje mohou tento přístroj poškodit.
- Pokud je napájecí vodič poškozen, musí být nahrazen výrobcem nebo

servisním pracovníkem nebo obdobně kvalifikovanými osobami za účelem odstranění nebezpečí.

- Pokud potřebujete použít prodlužovací kabel, ujistěte se, že je vhodný pro venkovní použití a má dostatečnou proudovou kapacitu pro napájení nástroje. Prodlužovací kabel by měl být označen buď „H05 RN-F“ nebo „H05 VV-F“. Zkontrolujte před každým použitím na poškození, vždy během používání kabel plně rozviňte, smotaný kabel se může přehřívat. Poškozené napájecí kabely se nesmí opravovat, vždy vyměňte za stejný typ.
- Prodlužovací kabely musí být mimo dosah nebezpečných pohyblivých dílů, aby se zabránilo poškození těchto kabelů, které by mohlo způsobit styk s nebezpečným napětím proti zemi.

BEZPEČNOSTÍ UPOZORNĚNÍ K DRTIČI

MONTÁŽ

- Při přípravě drtiče k provozu zabezpečte jeho zajištění proti převrnutí. *Viz strana 197.*

POUŽITÍ

- Před spuštěním stroje nahlédněte do vstupní komory, abyste se ujistili, že je prázdná.
- Udržujte obličej a tělo mimo vstupní otvor.
- Nenechávejte ruce nebo jakékoliv části těla nebo oděvu uvnitř vstupní komory, výsypného žlabu nebo v blízkosti pohyblivých částí.
- Vždy zabezpečte své pevné postavení. Udržujte řádné postavení a rovnováhu po celou dobu práce. Nepřeceňujte se. Nikdy nestůjte na vyšší úrovni, než je základna stroje, když vkládáte materiál k rozdrčení. Při používání drtiče na svazích si počínejte obezřetně. Choďte, nikdy neběhejte.
- Během provozu drtiče se nikdy nepohybujte v prostoru výhozu.
- Když vkládáte materiál do stroje, buďte velmi opatrní, aby se nepřimíchaly kusy kovu, kamenů, lahví, konvic nebo ostatních cizích předmětů.
- Pokud řezný mechanismus narazí na nežádoucí předmět nebo začne vykazovat nezvyklé zvuky či chvění, drtič

vypněte a počkejte na úplné zastavení drtičícího mechanismu. Odpojte výrobek od elektrické zásuvky a proveďte následující:

- zjistíte škody
- zkontrolujte a utáhněte všechny volné části
- Musí-li se poškozené součásti vyměnit nebo opravit, musí jít o originální náhradní díly společnosti RYOBI.
- Nenechávejte kupit materiál ve výsypném žlabu; toto může zabránit správnému vysypávání způsobit zablokování a dále pak způsobit odmrštění materiálu přes vstupní otvor.
- Pokud dojde k ucpání drtiče, vypněte jej a vyčkejte úplného zastavení drtičícího mechanismu. Odpojte výrobek od elektrické zásuvky před odstraňováním nečistot.
- Drtič nikdy nepoužívejte, pokud jsou ochranné kryty, krytování výrobku, sběrná nádoba nebo jiná bezpečnostní vybavení vadná, chybí nebo nejsou v dobrém provozním stavu.
- Dochází-li při drcení k tvorbě prachu, noste vhodnou masku proti prachu pro ochranu dýchacího ústrojí.
- Nepřevracujte výrobek, když jeho motor běží.
- Vypněte produkt a odpojte jej od elektrické sítě. Ujistěte se, že se zastavily všechny pohyblivé díly:
 - před opuštěním výrobku
 - před čištěním usazenin
 - před kontrolou, čištěním nebo prováděním údržby drtiče.
- Nenaklánějte produkt, když motor běží.
- Nikdy neupravujte díly z drtiče, ani nepoužívejte díly nedoporučené společností RYOBI. To může zvýšit riziko vážného úrazu obsluhy nebo jiných subjektů.
- Vždy se ujistěte, že jsou ventilační otvory udržovány v čistotě; jinak se motor může přehřát s následkem možného poškození výrobku nebo zvýšení rizika vzniku požáru.
- V případě nehody nebo poruchy drtič okamžitě vypněte a odpojte od zdroje napájení. Výrobek můžete znovu používat až po důkladné kontrole autorizovaným servisním centrem.

- Před nasazováním nebo odnímáním sběrné nádoby drtič vypněte.

▲ VAROVÁNÍ

Poranění mohou být způsobena, či zhoršena, prodlouženým používáním nástroje. Když používáte jakýkoliv nástroj delší dobu, dělejte pravidelné přestávky.

TRANSPORT A SKLADOVÁNÍ

- Ujistěte se, že byl výrobek před uložením na čisté, suché místo, mimo dosah dětí, řádně vyčištěn.
- Nechejte výrobek dostatečně zchladit před skladováním nebo přepravou.
- Při transportu výrobku zajistěte proti pohybum nebo pádu, abyste zabránili poranění osob nebo poškození výrobku.

ÚDRŽBA

Před čištěním, kontrolou nebo opravou drtiče jej vypněte a vyčkejte, dokud se drtičí mechanismus zcela nezastaví. Následně drtič odpojte od elektrického napájení. Po několika drceních se řezací mechanismus zahřeje. Nechte adekvátně zchladit před čištěním, kontrolou nebo nastavením.

▲ VAROVÁNÍ

Řezací nože jsou velmi ostré. Pro prevenci úrazu postupujte při čištění nebo manipulaci v blízkosti nožů či uvnitř otevřeného krytu při odnímání sběrné nádoby nesmírně obezřetně a opatrně. Používejte vždy odolné ochranné rukavice.

- Uvědomte si, že se řezací prostředky mohou ještě pohybovat i když je přístroj vypnut nebo je-li blokovací spínač aktivován.
- Abyste zajistili nejlepší výkon výrobku, musí být stále čistý.
- Po použití vždy ihned výrobek vyčistěte. Vždy dle možností používejte tvrdý štětec ve vstupních a vyhazovacích otvorech a suchou utěrku na vnější povrch drtiče.
- Nenechte materiál na žádných plochách drtiče, obzvláště na nožích, zaschnout a ztvrdnout. Toto přímo ovlivňuje výkon drtiče.

- Ujistěte se, že plnicí násypka a výspný žlab jsou stále čisté a bez odpadního materiálu.
- Ujistěte se, že jsou všechny matice, čepy a šrouby (kromě seřizovacího šroubu) utaženy a zajištěny.
- Jakékoliv poškozené nebo opotřebované součásti se musí opravovat nebo vyměňovat kvalifikovanou osobou v servisním středisku Ryobi.
- Nikdy se nepokoušejte obcházet blokovací spínače na sběrné nádobě nebo předním krytu sestavy drtičeho mechanismu.

▲ VAROVÁNÍ

Nikdy nenechte přijít brzdové kapaliny, petrolej, výrobky založené na petroleji, pronikavé oleje, atd. do kontaktu s plastovými součástmi. Nikdy nepoužívejte brzdovou kapalinu, benzín, ropné výrobky ani rozpouštědla pro čištění nástroje. Mnoho plastů je citlivých na poškození různými typy komerčních rozpouštědel a mohou být jimi poškozeny.

- Vy sami můžete provádět úkony údržby popsané v tomto návodu k obsluze. Ohledně jiných oprav nebo rad vyhledejte pomoc schváleného servisního střediska Ryobi.

SEŘÍZENÍ SEKACÍ DESKY

- Produkt nejlépe pracuje při dodržení následujících kroků. Před použitím vždy zkontrolujte, zda nejsou nože v kontaktu s drtičí deskou. Pro optimální výkon zachovejte mezeru 1 mm mezi noži a drtičí deskou.
 - Pokud výrobek drtí se sníženým výkonem, bude možná nutné seřídít drtičí desku nebo nabrousit nože.
 - V průběhu času je třeba nože na výrobku upravit. To lze provést úpravou drtičí desky tak, že přijde do mírného kontaktu s noži. Zajistěte, aby byl drtič zapnut a jeho chod byl normální ve směru vpřed. Seřizování sekací desky při vypnutém motoru může vést k vážnému poškození drtiče.
- POZNÁMKA:** Seřizování sekací desky by se mělo provádět, až je-li to neodkladně nutné. Seřizování sekací desky příliš často nebo příliš daleko od nožů může způsobit ztrátu funkčnosti drtiče.

- Během chodu drtiče otáčejte seřizovacím šroubem po směru chodu hodinových ručiček.
- Když uslyšíte zvuk nárazu kovu na kov nebo spatříte jemné hliníkové hobliny ve spodní části sběrné nádoby, zastavte seřizování a nechtejте výrobek běžet po dobu 30 sekund, aby se nabrousily nože. Po dokončení ostření otáčejte seřizovacím šroubem proti směru chodu hodinových ručiček, dokud mezi ním a sekací deskou nebude mezera 1 mm.

POZNÁMKA: Ostření nožů vyžaduje pouze velmi lehký kontakt s drticí deskou. Provádějte jakoukoliv úpravu pomalu, aby nedošlo k poškození výrobku. Nadměrné velké kroky nastavování desky mohou způsobit vážné poškození výrobku.

ZBYTKOVÁ RIZIKA

Dokonce, i když se výrobek provozuje jak je předepsáno, je stále nemožné zcela eliminovat veškeré zbytkové rizikové faktory. Následující nebezpečí mohou nastat při používání; vyhybejte se:

- Zranění způsobené hlukem
 - Noste ochranu sluchu a omezte vystavení.
- Poranění způsobené inhalací prachu a částic
 - Podle potřeby používejte ochranou masku s filtrem pro zadržování prachu.
- Poranění způsobená kontaktem s řeznými prostředky
 - Vždy udržujte všechny části těla mimo drticí mechanismus.

SNÍŽENÍ RIZIKA

Bylo zjištěno, že vibrace z ručních pracovních nástrojů mohou u některých osob přispívat ke stavu tzv. Raynaud's Syndrome (Raynaudovu syndromu). Mezi jeho příznaky patří brnění, necitlivost a zblednutí prstů, patrné obvykle po pobytu v chladu. Vědci se domnívají, že k rozvoji těchto příznaků přispívají dědičné faktory, pobyt v chladu a vlhku, strava, kouření a pracovní návyky. Uživatel může omezit případné působení vibrací použitím vhodných opatření:

- Za chladného počasí se teple oblečte. Při práci s výrobkem si navlékněte rukavice,

abyste udrželi ruce a zápěstí v teple. Bylo zjištěno, že chladné počasí je hlavním faktorem přispívajícím k Raynaud's Syndrome (Raynaudovu syndromu).

- Během práce si v pravidelných intervalech zacvičte, abyste zvýšili krevní oběh.
- Zařazujte časté pracovní přestávky. Omezte dobu práce za den.

Jakmile pocítíte některý z výše uvedených příznaků tohoto syndromu, okamžitě přerušete práci a vyhledejte lékaře.

VAROVÁNÍ

Poranění mohou být způsobena, či zhoršena, prodlouženým používáním nástroje. Když používáte jakýkoliv nástroj delší dobu, dělejte pravidelné přestávky.

POZNEJTE SVŮJ NÁSTROJ

Viz strana 196.

1. Spínač spuštění
2. Spínač zastavení
3. Spínač zpětného chodu
4. Tlačítko odblokování ochrany proti přetížení
5. Plnicí násypka
6. Rukojeť
7. Seřizovací šroub drticí desky
8. Kolo
9. Sběrná nádoba
10. Bezpečnostní spínač
11. Posouvač materiálu

POZNÁMKA: Vytažení bezpečnostního spínače po vložení sběrné nádoby do drtiče nahoru bezpečnostní spínač aktivuje.

PRŮVODCE DRCENÍM

Pro nejlepší výsledky při drcení dodržujte pokyny v tabulce dole.

MATERIÁL	DRTICÍ METODA
Větve do průměru 6 mm.	Vkládejte do plnicí násypky při rychlosti kterou drticí akceptuje bez přetížení.
Větve do průměru 45 mm.	Ostříhejte všechny boční porost zahradními nůžkami, než je vložíte do podávacího žlabu.

Rostliny, plevel a křoviny Vyklepejte půdu a kameny z kořenů pro zamezení poškození nožů.

Suché větve a pruty Jejich vložení na konci drcení napomůže vyčistit vlhkost a mízu z větví z nitra drtiče a drticí sestavy.

- Nenechávejte hromadit zahradní odpad před drtičem, protože začne kompostovat, příliš zvlhne a ucpe drticí jednotku. Suchý materiál je nejlepší pro sypkou drť. Odložte si některé suché kusy, aby vám pomohli ke konci drcení vyčistit oblast drcení.
- Často kontrolujte hromadění/tvorbu drceného materiálu.
- Zakončení vyhazovacího otvoru musí být vždy čistě, aby se zabránilo blokacím.
- Před vyprázdněním plné sběrné nádoby drtič vypněte.

▲ VAROVÁNÍ

Během zapnutí drtiče nebo jeho připojení k elektrickému napájení nestrkejte ruce do výhozu drtiče za účelem odstranění rozdrceného materiálu. Nože jsou velmi ostré. Noste odolné rukavice a buďte mimořádně opatrní při čištění a odstraňování příčin a vlastního blokování.

▲ VAROVÁNÍ

Když vkládáte dlouhé větve/stonky do výrobku, připravte se na vibrace a cukání, když se zachytí v drticím ústrojí. Během používání drtiče musí obsluha vždy nosit ochranu zraku.

▲ VAROVÁNÍ

Drticí zařízení má tendenci vtahovat větve/stonky do výrobku. Nepokoušejte se bránit vstupování materiálu k sekání po zapnutí drtiče. Vždy noste rukavice při vkládání materiálu do drtiče pro ochranu pokožky před odřením.

POZNÁMKA: Při přípravě drtiče k provozu zabezpečte jeho zajištění proti převrnutí (viz strana 197, krok 2 - 6).

POZNÁMKA: Při normálním používání drtič nevypínejte, dokud z drticího mechanismu není odveden veškerý rozdrcený materiál. Pokud je drtič vypnut příliš brzy, zbytky materiálu mohou ucpat sestavu nožů a při dalším zapnutí drtiče způsobit, že se motor nerozeběhne.

SYMBOLY NA VÝROBKU



Řádně si návod přečtěte, porozumějte veškerým pokynům a dodržujte všechny bezpečnostní pokyny a bezpečnostní varování.



Dávejte pozor na odmrštěné nebo odletující předměty. Všechny přihlízející, zvláště děti a zvířata udržujte ve vzdálenosti alespoň 15 m od pracovní oblasti.



Nebezpečí - Rotující nože. Mějte ruce a nohy mimo otvory, když nástroj běží.



Před údržbou nebo v případě poškozeného kabelu vypnout zařízení a odpojit zástrčku od síťového napájení.



Ochrana očí a sluchu



Nepoužívejte jako schůdek k dosažení vyšších míst.



Než se dotknete součástí, počkejte, až se zcela zastaví všechny díly stroje.



Navlékněte si pevné neklouzavé rukavice.



Toto nářadí je v souladu se všemi normami a předpisy platnými v zemi EU, ve které bylo zakoupeno.



Euroasijská značka shody



Ukrajinská značka shody



Zaručená hladina akustického výkonu je 102 dB.



Třída II: Ochrana proti úrazu elektrickou energií je tvořena dvojitou izolací nebo zesílenou izolací.



Odpad elektrických výrobků se nesmí likvidovat v domovním odpadu. Recyklujte prosím na sběrných místech. Ptejte se u místních úřadů nebo prodejce na postup při recyklaci.



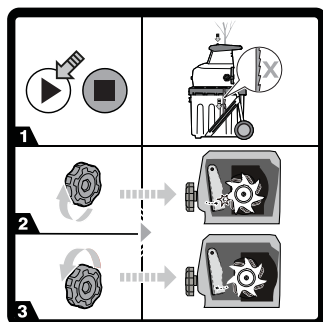
Spuštění



Vypnuto



Zpět



Pokud výrobek selže při drcení, bude možná nutné seřídít drtící desku.

1. Zařízení zapněte.
2. Otáčejte seřizovacím šroubem sekací desky proti směru chodu hodinových ručiček, dokud neuslyšíte styk kovu na kov nebo neuvídíte jemné hliníkové hoblinky na dně sběrné nádoby.
3. Po 30 sekundách otáčejte seřizovacím šroubem proti směru chodu hodinových ručiček, dokud není mezi sekací deskou a noži mezera 1 mm.

SYMBOLY V NÁVODU



Zapojení do elektrické zásuvky



Odpojení od elektrické sítě



Díly nebo příslušenství jsou v prodeji samostatně



Poznámka



Varování



Zamknuto



Odemknuto



Udržujte ruce mimo nože.

Následující signální slova a významy jsou vhodné pro vysvětlení úrovní nebezpečí spojených s tímto výrobkem.

⚠ NEBEZPEČÍ

Označuje bezprostředně rizikovou situaci, které je třeba předejít, jinak bude jejím následkem smrt nebo vážné zranění.

⚠ VAROVÁNÍ

Označuje možnou rizikovou situaci, které je třeba předejít, jinak jejím následkem může být smrt nebo vážné zranění.

⚠ VAROVÁNÍ

Označuje možnou rizikovou situaci, které je třeba předejít, jinak jejím následkem může být smrt nebo vážné zranění.

VAROVÁNÍ

Bez symbolu bezpečnostní výstrahy
Určuje situaci, která může mít za následek vážné poškození.

ŘEŠENÍ PROBLÉMŮ

PROBLÉM	PŘÍČINA	VÝZNAM
Motor neběží.	Zareagovala ochrana proti přetížení.	Počkejte na vychladnutí motoru a stiskněte tlačítko odblokování ochrany proti přetížení. Drtič znovu zapněte.
	výpadek napájení	Zkontrolujte napájecí kabel, zástrčku a domovní pojistku.
	Do drtiče není vložena sběrná nádoba a/nebo není aktivován bezpečnostní spínač.	Zasuňte sběrnou nádobu a potom vytáhněte bezpečnostní spínač nahoru, aby se aktivoval.
Materiál k drcení není vtahován.	V podávacím trychtýři se zasekl materiál.	Pečlivě dodržujte pokyny v tomto návodu pro čištění překážek.
	Protahovací deska je příliš vzdálena od řezacích prostředků.	Držte se pokynů v návodu k obsluze pro seřízení hoblovací desky.



A hangtalan elektromos aprító kifejlesztésekor a biztonságot, a teljesítményt és a megbízhatóságot tartottuk szem előtt.

RENDELTETÉSSZERŰ HASZNÁLAT

Az elektromos aprító kültéren használatos, álló helyzetben, miközben az üzemeltető a talajon áll.

A termék a szerves kerti hulladék csökkentésére szolgál, úgymint ágak, gallyak és levelek.

A termék nem alkalmas szerves anyag, fémek vagy a 45 mm-es átmérővel meghatározott maximális vágási kapacitást meghaladó anyagok feldolgozására.

A terméket a biztosított állványra kell felszerelni és a mellékelt gyűjtőedénnyel kell használni. Nem szabad a kézikönyvben ismertetett módtól eltérően felszerelni.

Semmilyen más célra ne használja.

ÁLTALÁNOS BIZTONSÁGI ELŐÍRÁSOK

▲ FIGYELMEZTETÉS

Ezt a terméket nem használhatják gyerekek és korlátozott fizikai, érzékelési vagy mentális képességekkel rendelkező személyek. A kisgyermekekre egy a gép kezelőjétől különböző személynek folyamatosan vigyáznia kell, hogy biztosan ne játsszanak a termékkel vagy a termék környezetében.

▲ FIGYELMEZTETÉS

A termék használatakor a tűz, elektromos áramütés és a személyi sérülések veszélyének csökkentése érdekében az alapvető biztonsági óvintézkedéseket mindig be kell tartani. A termék használata előtt figyelmesen olvassa el az összes biztonsági előírást. Győződjön meg róla, hogy ismeri a termék kezelőszerveit, valamint a gép megfelelő és biztonságos használatának módját. Tartsa meg a kézikönyvet, hátha a későbbiekben szüksége lehet rá.

GYAKORLÁS

- Ismerje meg a felhasználói útmutatót, mielőtt megpróbálja a terméket üzemeltetni.
- Ne hagyja, hogy gyerekek vagy a

termék használatát nem ismerő felnőttek használják a terméket. A helyi előírások korlátozhatják a kezelő életkorát.

- A termék üzemeltetője vagy felhasználója felel a balesetekért vagy veszélyekért, amelyet más embereknek vagy azok tulajdonával kapcsolatban okozott.

ELŐKÉSZÜLET

- Soha ne üzemeltesse a terméket báméskodók, különösen gyermekek és állatok jelenlétében.
- Soha ne használja a terméket rossz időben, vagy villámcsapás veszélye esetén.
- A gép használata közben mindig viseljen fülvédőt és védőszemüveget.
- A termék működtetése közben mindig viseljen erős (csúszásmentes) lábbelit és hosszúnadrágot. Kerülje a bő ruhák viseletét, vagy amelyből kábelek vagy madzagok lógnak ki. Ne üzemeltesse a terméket mezítláb vagy nyitott szandál viselesekor.
- Csak nyitott területen (pl. ne legyen túl közel falhoz vagy rögzített tárgyhoz) és szilárd, vízszintes felületen üzemeltesse a terméket.
- Ne használja a gépet kavicsos vagy kövezett felületen, ahol a kidobott anyag sérülést okozhat.
- A termék elindítása előtt ellenőrizze, hogy minden csavar, anya, zár és egyéb rögzítőelem megfelelően van-e rögzítve, és hogy a védőelemek és a gyűjtőedény a helyükön vannak-e. A sérült vagy olvashatatlan címkék cseréjéhez vigye vissza egy hivatalos szervizközpontba.
- Használat előtt ellenőrizze a táp- és hosszabbító kábelt sérülések vagy elöregedés tekintetében. Ha használat közben a tápkábel megsérült, azonnal húzza ki a kábelt az elektromos hálózati aljzatból. Az elektromos hálózatról való leválasztás előtt ne érjen a kábelhez. Ne használja a gépet, ha a tápkábel károsodott vagy elhasználódott.

ELEKTROMOS BIZTONSÁG

- Alaposan tanulmányozza át ezeket a biztonsági előírásokat, még mielőtt csatlakoztatja a terméket az elektromos hálózatra.





- Bekapcsolás előtt győződjön meg róla, hogy az áramellátás feszültsége megegyezik-e a típustáblán jelzett értékkel. A gyártó azt ajánlja, hogy csatlakoztassa egy olyan hálózati aljzathoz, amelyet áramvédőkapcsoló (RCD) véd és egy legfeljebb 30 mA-es kioldóáramot biztosít.
- Bármilyen más áramforráshoz való csatlakoztatás károsodást okozhat.
- Ha a tápkábel megsérült, azt a veszély elkerülése érdekében a gyártónak, szervizének illetve más szakképzett személynek kell kicserélnie.
- Ha hosszabbító kábelt kell használnia, ügyeljen arra, hogy az kültéri használatra alkalmas és a gép meghajtásához elégséges teljesítményű legyen. A hosszabbító kábelnek „H05 RN-F” vagy „H05 VV-F” jelöléssel kell rendelkeznie. Minden használat előtt ellenőrizze sérülések tekintetében, használat közben mindig tekerje szét, mert az összetekert kábel túlmelegedhet. A sérült hosszabbító kábeleket tilos megjavítani, azokat azonos típusúra kell kicserélni.
- A hosszabbítót tartsa távol a veszélyes mozgó alkatrészekről, hogy elkerülje a vezetékek megrongálódását, amik érintkezésbe kerülhetnek a feszültség alatt álló alkatrészekkel.

AZ APRÍTÓ BIZTONSÁGI FIGYELMEZTETÉSEI

ÖSSZESZERELÉS

- A termék használatra való előkészítése során győződjön meg róla, hogy a termék biztonságosan álljon és ne boruljon fel. *Lásd 197. oldal.*

HASZNÁLAT

- A gép elindítása előtt nézzen bele az etetőnyílásba és ellenőrizze, hogy üres.
- Az arcát és a testét tartsa távol az etetőnyílástól.
- Ne hagyja, hogy ruházata, kezei vagy bármilyen más testrésze az etetőcsúszdába, a kidobócsúszdába vagy bármilyen mozgó alkatrész közelébe kerüljön.
- Mindig biztosan álljon. Mindig tartson megfelelő testtartást és egyensúlyt.

Ne hajoljon ki túlságosan. Az anyagok beadagolásakor soha ne álljon a gép alapzatánál magasabbra. Legyen óvatos, ha a terméket lejtős talajon használja. Gyalogoljon, ne fusson.

- A termék üzemeltetése közben mindig álljon távol az ürítési zónától.
- Az anyagok a gépbe való adagolásakor különösen figyeljen oda, hogy fémdarabok, kövek, palackok, dobozok vagy más idegen tárgyak ne kerüljenek a gépbe.
- Ha a vágómechanizmus nekiütközik egy idegen tárgynak, vagy ha a termék szokatlan zajt bocsát ki, vagy rázkódik, akkor kapcsolja ki a terméket, és várja meg, hogy a vágóeszköz teljesen leálljon. Válassza le a terméket az áramforrásról, és hajtsa végre a következő lépéseket:
 - vizsgálja át a gépet sérülések tekintetében;
 - ellenőrizze és húzza meg a meglazult alkatrészeket;
 - az esetlegesen sérült részegységek eredeti RYOBI cserealkatrészekre ki lettek cserélve vagy meg lettek javítva
- Ne hagyja, hogy a felaprított anyag felgyűljön a kidobócsúszdán, mert ez meggátolhatja a megfelelő ürítést vagy eltömődést okozhat, és az anyag visszalökődhet az etetőnyílásba.
- Ha a termék eltömődik, kapcsolja ki és várja meg, hogy a kések teljesen leálljanak. A hulladék eltávolítása előtt válassza le a terméket az áramforrásról.
- Soha ne működtesse a terméket, ha a védőelemek, a fedelek, a gyűjtőedény vagy más biztonsági eszközök hibásak, nem a helyükön vannak vagy nem működnek megfelelően.
- Ha az aprítás közben por képződik, vegyen fel pormaszkot, hogy megelőzze a légutak károsodását.
- Járó motorral ne mozgassa és ne szállítsa a terméket.
- Kapcsolja ki a terméket, és húzza ki a csatlakozót a hálózathoz. Ellenőrizze, hogy minden mozgó rész teljesen megállt:
 - mielőtt magára hagyná a terméket
 - az eltömődés eltávolítása előtt





- a termék átvizsgálása, tisztítása vagy karbantartása előtt.
- Ne döntse meg a terméket, amikor a motor jár.
- Soha ne módosítsa az alkatrészeket, illetve ne használjon a RYOBI által nem ajánlott alkatrészeket, ez növelheti a saját magának vagy másoknak okozott súlyos sérülés kockázatát.
- Mindig ügyeljen rá, hogy semmi ne maradjon a szellőzőnyílásokban; máskülönben a motor túlhevülhet, ami a termék lehetséges károsodását vagy a tűzveszély fokozódását eredményezheti.
- Baleset vagy üzemzavar esetén azonnal állítsa le a terméket és válassza le a tápellátásról. Ne használja a készüléket, amíg teljesen ét nem vizsgálták egy hivatalos szervizközpont
- A gyűjtőedény csatlakoztatása vagy eltávolítása előtt kapcsolja ki a terméket.

▲ FIGYELMEZTETÉS

Hosszabb használat sérülést okozhat. Ha a gépet hosszú időn át kell használnia, tartson gyakran szünetet.

SZÁLLÍTÁS ÉS TÁROLÁS

- Ügyeljen rá, hogy a termék tiszta, száraz és biztonságos, gyerekek által nem elérhető helyen való tárolása előtt alaposan meg legyen tisztítva.
- Tárolás vagy szállítás előtt hagyja megfelelően lehűlni a terméket.
- Szállításkor rögzítse a terméket elmozdulás és leesés ellen, hogy elkerülje a sérüléseket és a termék sérülését.

KARBANTARTÁS

A termék átvizsgálása, tisztítása vagy karbantartása előtt kapcsolja ki azt, hagyja, hogy a vágóeszköz teljesen leálljon, és válassza le az elektromos hálózatról. Aprítás közben bizonyos idő után a vágó mechanizmus felmelegszik. Tisztítás, átvizsgálás vagy beállítás előtt hagyja megfelelően lehűlni.

▲ FIGYELMEZTETÉS

A vágókések különösen élesek. A sérülés elkerülése érdekében rendkívüli óvatossággal és gondossággal járjon el, amikor a pengéket tisztítja, vagy azok illetve a nyitott burkolat közelében dolgozik az eltávolított gyűjtőedény esetén. Mindig viseljen nehéz igénybevételre tervezett védőkesztyűt.

- Figyeljen oda, hogy a vágóeszközök áramkimaradás esetén is mozgathatóak legyenek, illetve a reteszelő kapcsoló be legyen húzva.
- A terméket a legjobb teljesítmény érdekében tisztán kell tartani.
- A használat után mindig azonnal tisztítsa meg a terméket. Amikor csak lehetséges, használjon kemény kefét az etető- és kidobócsúszda, és száraz törlőruhát a termék külsejének tisztításakor.
- Ne hagyja, hogy a termék bármely felületén – különösen a pengéken – az anyag szárazzá és keménnyé váljon. Ez közvetlen hatással van az aprító teljesítményére.
- Ügyeljen rá, hogy az etetőcsúszda és a kidobócsúszda mindig tiszta és hulladékanyagtól mentes legyen.
- Ellenőrizze, hogy a csavaranyák, csavarok és fejescsavarok (kivéve a „beállítócsavart”) meg vannak húzva.
- A sérült vagy elkopott alkatrészeket mindig szakképzett személyrel javíttassa meg vagy cseréltesse ki egy hivatalos Ryobi szervizközpontban.
- A gyűjtőedényen vagy a vágószerelvény első fedelén soha ne próbálja meg megkerülni a zárókapcsolót.

▲ FIGYELMEZTETÉS

A műanyag részek semmilyen körülmények között nem érintkezhetnek fékolajjal, benzinnel, petróleum alapú termékekkel, beszívódó olajokkal stb. Ne használjon fékfolyadékot, benzint, petróleum-alapú termékeket vagy bármilyen oldószert a szerszám tisztításához. A legtöbb műanyag érzékeny a különböző típusú kereskedelmi oldószerekre és azok használata esetén károsodhat.





- Elvégezheti a karbantartási feladatokat a kézikönyvben leírtak szerint. Más javításokért vagy tanácsadásért forduljon hivatalos RYOBI szervizközponthoz.

HÁNTOLÓLEMEZ BEÁLLÍTÁSA

- A termék a következő lépések betartásával teljesít a legjobban. Használat előtt mindig ellenőrizze, hogy a kések ne érintkezzenek a hántolólemezzel. Az optimális teljesítményhez tartson fenn 1 mm-es hézagot a kések és a hántolólemez között.
- Ha a termék nem tudja felaprítani az anyagot, előfordulhat, hogy be kell állítani a hántolólemezt vagy meg kell élezni a késeket.
- Idővel a termékben lévő késeket be kell állítani. Ez végrehajtható a hántolólemez beállításával, hogy az némileg érintkezni fog a késekkel. Győződjön meg róla, hogy a termék be van kapcsolva és normál előremenet irányába működik. A motor kikapcsolt állapotában a forgácsoló lemez beállítása komoly károkat okozhat a termékben.

MEGJEGYZÉS: A hántolólemez beállításával csak akkor kell próbálkozni, ha arra feltétlenül szükség van. A forgácsoló lemez túl gyakori vagy túl messzi beállítása leállíthatja a termék működését.

- A termék üzemelése közben az óramutató járásával megegyezően fordítsa el a beállító gombot.
- Amikor fém fémmel való érintkezését hallja vagy finom alumínium forgácsot lát a gyűjtőtartály alján, állítsa le a beállítást, és hagyja 30 másodpercig működni a terméket, hogy megélezze a késeket. Miután az élesítés befejeződött, fordítsa el a beállító gombot az óramutató járásával ellentétes irányba, amíg az egység már nem érintkezik a forgácsoló lemezzel és 1 mm-es rés marad.

MEGJEGYZÉS: A kések élezéséhez azoknak finoman kell érintkezni a hántolólemezzel. Lassan hajtson végre minden beállítást, hogy elkerülje a termék károsodását. A lemez túlzott állítása a termék súlyos károsodását okozhatja.

FENNMARADÓ KOCKÁZAT

Még a termék rendeltetésszerű használata esetén sem lehet teljesen kiküszöbölni

minden kockázati tényezőt. A gép használata során a következő veszélyek merülhetnek fel, és a kezelőnek különösen oda kell figyelnie az alábbiak elkerülésére:

- Zaj okozta sérülések
 - Viseljen hallásvédőt és korlátozza a zajnak való kitettséget
- Por és részecskék belélegzése okozta sérülés.
 - Szükség esetén viseljen szűrővel ellátott porvédő maszkot.
- Vágóeszközökkel való érintkezés okozta sérülés
 - A védtelen testrészeit mindig tartsa távol a vágó mechanizmustól.

KOCKÁZATCSÖKKENTÉS

Arról számoltak be, hogy a kéziszerszámok használata során fellépő vibráció bizonyos személyeknél hozzájárulhat az úgynevezett Raynaud-szindróma (Raynaud's Syndrome) nevű állapot kialakulásához. A tünetei lehetnek: az ujjak zsibbadása, elfehéredése, szúrások érzése, amelyek hidegnek kitéve gyakran felerősödnek. Az öröklődő tényezők, a hidegnek kitettség és verejtékezés, a diéta, a dohányzás és munka közben alkalmazott fogások valószínűleg mind hozzájárulhatnak ezen tünetek megjelenéséhez. A vibráció hatásainak csökkentése érdekében a kezelőnek be kell tartani az alábbi óvintézkedéseket:

- Hideg időben tartsa melegen a testét. A termék használatakor viseljen kesztyűt a kéz és a csukló melegen tartásához. Arról számoltak be, hogy a hideg időjárásnak fontos szerepe van a Raynaud-szindróma kialakulásában.
- Bizonyos időtartamú használat után mindig végezzen gyakorlatokat a vérkeringés javításához.
- Gyakran tartson munkaszünetet. Korlátozza a napi munkaidőt.

Ha ezen állapot bármelyik tünetét tapasztalja, azonnal hagyja abba a munkát, és tájékoztassa az orvosát a tünetekről.





▲ FIGYELMEZTETÉS

Hosszabb használat sérülést okozhat. Ha a gépet hosszú időn át kell használnia, tartson gyakran szünetet.

ISMERJE MEG A TERMÉKET

Lásd 196. oldal.

1. Indító gomb
2. Leállító gomb
3. Irányváltó gomb
4. Túlterhelés elleni védőeszköz visszaállító gombja
5. Etetőcsúszda
6. Fogantyú
7. Hántolólemez beállító gomb
8. Kerék
9. Gyűjtőedény
10. Biztonsági kapcsoló
11. Anyagdugattyú

MEGJEGYZÉS: Ha a biztonsági kapcsolót felhúzza, miután a gyűjtőedényt behelyezte a termékbe, akkor aktiválja a biztonsági kapcsolót.

APRÍTÁSI ÚTMUTATÓ

A legjobb eredmény érdekében kövesse a lenti táblázatban látható útmutatásokat.

ANYAG

APRÍTÁSI MÓDSZER

Legfeljebb 6 mm átmérőjű gallyak.

Olyan tempóban adagolja az anyagot az etetőcsúszdába, amely még nem terheli túl a terméket.

Legfeljebb 6 mm átmérőjű ágak.

Metszőollóval csipkedje le az oldalsó hajtásokat, még az adagolócsúszdába való beadagolás előtt.

Ágyazott palánták, gaz és sövényhajtások.

A kések sérülésének elkerülése érdekében a gyökerekről távolítsa el a talajt és a köveket.

Száraz gallyak és ágak

Ha ilyeneket adagol a gépbe az aprítás végén, azzal segít eltávolítani a termék belsejéből és a vágószerelvényből a nedvességet és a növény nedveit.

■ Ne hagyja, hogy az aprítás előtt a kerti hulladék összegyűljön és komposztálódni kezdjen, és így túl nedves legyen és eltömítse a vágószerelvényt. A száraz anyag segít a legtöbb anyag eltávolításában a kidobócsúszdából. Hagyjon néhány száraz fadarabot a végére a kések körüli terület megtisztításához.

■ Rendszeresen ellenőrizze az aprított anyag felgyülemelését/összetömörödését.

■ Az ürítőcsúszda kimenetének az eltömődés megakadályozása érdekében mindig tisztának kell lennie.

■ Ha a gyűjtőedény tele van, a kiürítés előtt kapcsolja ki a terméket.

▲ FIGYELMEZTETÉS

Amíg a termék be van kapcsolva, vagy csatlakoztatva van az áramellátásra, ne tegye a kezét az aprító kidobó csúszdájába, hogy az aprított anyagot kitisztítsa. A kések élesek. Viseljen nehéz igénybevételhez tervezett kesztyűt, és legyen különösen óvatos a tisztításkor és az eltömődések tisztításakor.

▲ FIGYELMEZTETÉS

Hosszú faágak/gallyak termékbe való adagolásakor figyeljen oda, mert a vágókés rángathatja és rezegtetheti azokat. A kezelőnek a termék használatakor mindig szemvédőt kell viselnie.

▲ FIGYELMEZTETÉS

A vágóeszköz hajlamos behúzni az ágakat/gallyakat a termékbe. Ne próbálja meggátolni a vágandó anyag előrehaladását az adagolás megkezdése után. Mindig vegyen fel kesztyűt a termék adagolásakor, hogy megelőzze a bőre felhorzsolását.

MEGJEGYZÉS: A termék használatra való előkészítése során győződjön meg róla, hogy a termék biztosan álljon és ne boruljon fel (lásd: 197 oldal, 2 - 6. lépés).

MEGJEGYZÉS: A szokásos használat során ne kapcsolja ki a terméket addig, amíg valamennyi aprított anyag ki nem ürült a vágószerelvényből. Ha a terméket túl

- EN
- FR
- DE
- ES
- IT
- NL
- PT
- DA
- SV
- FI
- NO
- RU
- PL
- CS
- HU**
- RO
- LV
- LT
- ET
- HR
- SL
- SK
- BG
- UK
- TR



gyorsan állítja le, maradvány anyagdarabok tömíthetik el a pengeszerelevényt és a termék visszakapcsolásakor leállíthatják a motort.

SZIMBÓLUMOK A TERMÉKEN



A termék használata előtt olvassa el és értse meg a kezelési útmutatóban leírtakat, és tartsa be az összes figyelmeztető és biztonsági utasítást.



Figyeljen a kivetett vagy repülő tárgyakra. Az összes nézelődő, különösen a gyerekek és a háziállatok, legyenek legalább 15 m-es távolságra a használati területtől.



Veszély – Forgó kések. A termék működése közben a kezeit és a lábát tartsa távol a nyílásoktól.



Kapcsolja ki, és távolítsa el a hálózati dugót karbantartás előtt, vagy ha a kábel megrongálódott.



Viseljen szem- és fülvédőt.



Ne használja fellépőként.



Megérintésük előtt várja meg, amíg a gép összes alkarésze teljesen megáll.



Viseljen nem csúszós, nehéz igénybevételre tervezett kesztyűt.



Ez a szerszám minden, a vásárlás európai uniós országában hatályos szabványnak megfelel.



Eurázsiai megfelelési jelzés



Ukrainai megfelelési nyilatkozat



A garantiált hangteljesítményszint 102 dB.



II. osztály: Az áramütés elleni védelmet kettős szigetelés vagy megerősített szigetelés biztosítja.



A kiselejtezett elektromos termékeket nem szabad a háztartási hulladékkal együtt kidobni. Ezeket újra kell hasznosítani, ha van rá lehetőség. Az újrahasznosítással kapcsolatban érdeklődjön a helyi önkormányzatnál vagy a termék forgalmazójánál.



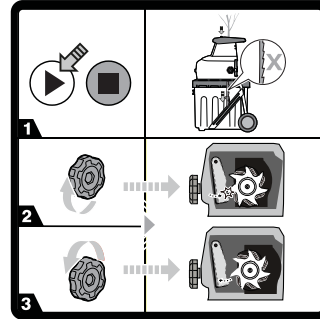
Indítás



Leállítás



Hátra



Ha a termék nem tudja felaprítani az anyagot, előfordulhat, hogy be kell állítani a hántolólemezt.

1. Kapcsolja be a terméket.
2. Fordítsa el a forgácsoló lemez beállító gombját az óramutató járásával megegyező irányba, amíg fémmel érintkező hangot nem hall, vagy amíg finom alumínium forgácsokat nem lát a gyűjtőtartály alján.
3. 30 másodperc elteltével fordítsa el a gombot az óramutató járásával ellentétes irányba, amíg a forgácsoló lemez és a pengék közötti rés nem éri el az 1 mm-t.

A KÉZIKÖNYVBEN HASZNÁLT SZIMBÓLUMOK



Csatlakoztassa egy elektromos hálózati aljzathoz



Húzza ki az elektromos hálózati aljzathból



Külön értékesített alkatrészek és kiegészítők



Megjegyzés



Figyelem



Retesz



Szétnyitás



Tartsa a kezeit távol a késektől.

A következő jelölőszavak és jelentések arra szolgálnak, hogy megmagyarázzák a termékkel kapcsolatos veszélyességi szinteket.

⚠ VESZÉLY

Egy bekövetkező veszélyes helyzetet jelez, ami, ha nem előzik meg, halált vagy komoly sérülést eredményez.

⚠ FIGYELMEZTETÉS

Egy potenciálisan bekövetkező veszélyes helyzetet jelez, amit, ha nem előznek meg, halált vagy komoly sérülést eredményezhet.

⚠ FIGYELEMFELHÍVÁS

Egy potenciálisan veszélyes helyzetet jelez, ami, ha nem előzik meg, kisebb vagy mérsékelt sérülést eredményezhet.

FIGYELEMFELHÍVÁS

Biztonsági figyelmeztető szimbólum nélkül
Egy olyan helyzetet jelez, ami anyagi kárt eredményezhet.

HIBAELHÁRÍTÁS

PROBLÉMA	OK	MAGYARÁZAT
A motor nem jár.	A termék túlterhelésvédelme működésbe lépett.	Várja meg, amíg a motor lehül, nyomja meg a túlterhelés védőeszközének visszaállító gombját. Kapcsolja be újra a terméket.
	Nincs áramellátás	Ellenőrizze a tápkábelt, a dugót és a ház biztosítékát.
	A gyűjtőedény nincs behelyezve a termékbe és/ vagy a biztonsági kapcsoló nincs aktiválva.	Helyezze be a gyűjtőedényt, majd az aktiválásához húzza meg a biztonsági kapcsolót.
Az aprítandó anyagot a gép nem húzza be.	Az anyag eltömődött az adagolótlócsérben.	Kövesse az útmutatóban megadott lépéseket az eltömődés megszüntetéséhez.
	A hántolólemez túl messze van a vágóeszközöktől.	Kövesse a hántolólemez beállítására vonatkozó, ebben a kézikönyvben található útmutatót.



A fost acordată prioritate maximă siguranței, funcționării și fiabilității în proiectarea tocătorului dvs silențios electric.

UTILIZARE PREVĂZUTĂ

Tocătorul electric silențios este destinat utilizării la exterior, în poziție staționară, de către un operator care să stea în picioare pe sol.

Produsul este destinat reducerii deșeurilor organice din grădină, cum ar fi ramuri, nuiele și frunze.

Produsul nu este destinat pentru material non-organic, metale sau materiale ce depășesc capacitatea maximă de tăiere, adică 45 mm diametru.

Produsul trebuie montat pe suportul furnizat și trebuie utilizat cu coșul de colectare furnizat. Nu trebuie montat în niciun alt fel decât cel arătat în acest manual.

Nu folosiți în alte scopuri.

INSTRUCȚIUNI GENERALE DE SIGURANȚĂ

⚠ AVERTISMENT

Produsul nu este destinat a fi folosit de către copii sau persoane cu capacități fizice, mintale sau senzoriale reduce. Copiii trebuie să fie supravegheați tot timpul de către o persoană, alta decât operatorul, pentru a se asigura că nu se vor juca lângă sau cu produsul.

⚠ AVERTISMENT

Atunci când folosiți produsul trebuie urmate precauții de siguranță de bază pentru a reduce riscul de incendiu, electrocutare sau vătămare personală. Citiți cu atenție toate aceste instrucțiuni de siguranță înainte de a opera produsul. Asigurați-vă că sunteți familiarizat cu comenzile și cu folosirea corespunzătoare și sigură a produsului. Vă rugăm să păstrați instrucțiunile într-un loc sigur pentru utilizare ulterioară.

INSTRUIRE

- Familiarizați-vă cu informațiile din ghidul utilizatorului înainte de a încerca să operați produsul.
- Nu lăsați niciodată copiii sau persoanele

nefamiliarizate cu aceste instrucțiuni să folosească produsul. Reglementările locale pot restricționa vârsta operatorului.

- Operatorul sau utilizatorul produsului este responsabil pentru accidente sau riscurile la care sunt expuse celelalte persoane sau obiectele aparținând acestora.

PREGĂTIRE

- Nu utilizați niciodată produsul în apropierea altor persoane, în special copii și animale de companie.
- Nu folosiți niciodată produsul în condiții meteorologice nefavorabile sau atunci când există risc de producere de fulgere.
- Purtați protecții pentru urechi și ochelari de protecție permanent, când utilizați mașina.
- Purtați întotdeauna încălțăminte cu talpă groasă (antiderapantă) și pantaloni lungi în timpul operării produsului. Evitați să purtați de îmbrăcăminte largă sau care are cordoane sau șireturi libere. Nu utilizați produsul cu picioarele goale sau când purtați sandale deschise.
- Utilizați produsul numai în spații deschise (de exemplu, nu în apropierea unui perete sau a unui obiect fix) și pe suprafețe ferme și uniforme.
- Nu folosiți mașina pe o suprafață pavată sau acoperită cu pietriș, unde materialul evacuat ar putea cauza vătămarea corporală.
- Înainte de a porni produsul, asigurați-vă că toate șuruburile, piulițele, bolțurile și alte elemente de prindere sunt bine fixate și că protecția și coșul de colectare sunt așezate corespunzător la locul lor. Returnați produsul la un service autorizat pentru a înlocui etichetele deteriorate sau ilizibile.
- Înainte de utilizare, verificați cablurile de alimentare și de prelungire pentru semne de deteriorare sau de uzură. În cazul în care cablul este deteriorat în timpul utilizării, deconectați cablul de la priză imediat. Nu atingeți cablul de alimentare înainte de a-l deconecta de la sursa de alimentare. Nu utilizați mașina în cazul în care cablul este deteriorat sau uzat.

SIGURANȚĂ ELECTRICĂ

- Citiți complet aceste instrucțiuni înainte de conectarea produsului la sursa de curent.





- Înainte de a porni aparatul, asigurați-vă că tensiunea sursei dumneavoastră de alimentare este aceeași cu cea indicată pe plăcuța tehnică. Producătorul recomandă conectarea la o priză electrică protejată prin RCD cu curent de declanșare de cel mult 30 mA.
- Conectarea la orice altă sursă de alimentare poate cauza deteriorarea produsului.
- În cazul în care cablul de alimentare este deteriorat, acesta trebuie înlocuit de producător, de către agentul de service sau de către o persoană calificată în mod similar, pentru a evita un pericol.
- Dacă e nevoie să folosiți un cablu prelungitor asigurați-vă că este corespunzător pentru uzul în exterior și are o valoare nominală a curentului suficientă să vă alimenteze aparatul. Cablul prelungitor trebuie să fie marcat fie "H05 RN-F", fie "H05 VV-F". Verificați după fiecare folosire dacă este deteriorată, întotdeauna desfășurați cablul în timpul folosirii întrucât cablul înfășurat se poate supraîncălzi. Cablurile prelungitoare deteriorate nu trebuie reparate, ele trebuie înlocuite cu un model echivalent.
- Cablurile prelungitoare trebuie ținute la distanță de piesele în mișcare, care pot reprezenta un pericol, pentru a evita deteriorarea cablurilor, lucru care ar putea avea ca rezultat un eventual contact cu piesele sub tensiune.
- Trebuie să stați întotdeauna într-o poziție stabilă. În timpul operării dispozitivului, păstrați-vă în permanență echilibrul și stabilitatea. Nu vă aplecați excesiv. Nu stați mai sus decât baza mașinii când o alimentați cu material. Atenție atunci când utilizați produsul în pantă. Mergeți. Nu alergați niciodată.
- Stați întotdeauna departe de zona de evacuare atunci când operați produsul.
- Aveți grijă ca, atunci când alimentați materialul în mașină, bucățile de metal, pietrele, sticlele, cutiile sau alte obiecte străine să nu fie incluse.
- În cazul în care mecanismul de tăiere lovește obiecte străine sau în cazul în care produsul începe să scoată zgomote neobișnuite sau are vibrații, opriți produsul și lăsați dispozitivele de tăiere să se oprească complet. Deconectați produsul de la sursa sa de alimentare și îndepliniți următorii pași:
 - inspectați dacă există daune;
 - verificați dacă există și strângeți orice piese desprinse;
 - înlocuiți orice piese deteriorate sau reparați cu piese de schimb RYOBI originale
- Nu permiteți materialului procesat să se acumuleze în jgheabul de evacuare căci ar putea împiedica evacuarea corespunzătoare sau se va bloca și poate rezulta în recul al materialului prin deschizătura de admisie a alimentării cu material.
- Dacă produsul se înfundă, opriți-l și permiteți dispozitivelor de tăiere să se oprească complet. Deconectați produsul de la sursa sa de alimentare înainte de a-l curăța de resturi.
- Nu utilizați niciodată produsul dacă dispozitivele de protecție, capacul, coșul de colectare sau alte dispozitive de siguranță sunt defecte, nu sunt instalate corespunzător sau nu sunt în stare bună de funcționare.
- Dacă în timpul procesului de tocare este creat praf, purtați o mască corespunzătoare împotriva prafului pentru a preveni problemele respiratorii.

AVERTISMENTE DE SIGURANȚĂ TOCĂTOR

MONTARE

- Atunci când instalați produsul pentru utilizare, asigurați-vă că acesta este securizat astfel încât să nu se răstoarne. *Vezi pagina 197.*

UTILIZARE

- Înainte de a porni mașina, căutați în camera de alimentare, pentru a vă asigura că este goală.
- Țineți fața și corpul departe de deschiderea de alimentare.
- Nu introduceți mâinile sau nicio altă parte a corpului sau hainele în interiorul camerei de alimentare, al jgheabului de evacuare sau în apropierea oricărei piese în mișcare.



- Nu mutați sau transportați produsul în timp ce motorul funcționează.
- Opriți produsul și deconectați-l de la priză. Asigurați-vă că toate piesele mobile s-au oprit complet:
 - Înainte de a lăsa produsul nesupravegheat
 - Înainte de a îndepărta un obiect ce a determinat un blocaj
 - Înainte de a verifica, curăța sau efectua lucrări de întreținere a produsului.
- Nu înclinați produsul în timp ce motorul funcționează.
- Nu modificați niciodată componentele produsului și nu utilizați componente nerecomandate de RYOBI, acest lucru poate crește riscul vătămării grave a dumneavoastră sau a altor persoane.
- Asigurați întotdeauna că deschizăturile de aerisire sunt menținute fără resturi; altminteri motorul ar putea să se supraîncălzească rezultând în posibilă deteriorare a produsului sau o creștere a riscului de incendiu.
- Opriți imediat produsul și deconectați-l de la sursa de alimentare în caz de accident sau defecțiune. Nu utilizați din nou produsul înainte de a realiza o verificare completă, la un centru de service autorizat.
- Opriți produsul înainte de a monta sau demonta coșul de colectare.

⚠ AVERTISMENT

Pot fi cauzate sau agravate vătămările de la folosirea prelungită a aparatului. Atunci când folosiți o sculă pentru perioade prelungite, asigurați-vă că luați pauze regulate.

TRANSPORTAREA ȘI DEPOZITAREA

- Asigurați-vă că produsul a fost curățat complet înainte de a-l depozita într-un loc curat, uscat și ferit de copii.
- Lăsați produsul să se răcească suficient înainte de a-l depozita sau transporta.
- Pentru transportare, fixați produsul să nu se miște sau cadă pentru a preveni vătămarea persoanelor sau deteriorarea produsului.

ÎNTREȚINERE

Înainte de a curăța, inspecta sau efectua reparații asupra produsului, opriți-l și lăsați dispozitivele de tăiere să se oprească complet, deconectați alimentarea electrică. După un anumit timp de tocare, mecanismul de tăiere va deveni fierbinte. Lăsați-o să se răcească suficient înainte de a o curăța, inspecta sau regla.

⚠ AVERTISMENT

Lamele cuțitelor sunt extrem de ascuțite. Pentru a evita eventuale vătămări, acordați o grijă deosebită atunci când curățați sau operați în apropierea cuțitelor sau înăuntrul carcasei deschise, atunci când coșul de colectare este demontat. Purtați întotdeauna mănuși de protecție rezistente.

- Fiți conștient că mijloacele de tăiere pot fi totuși mișcate chiar dacă este oprită alimentarea sau dacă este activat întrerupătorul de blocare.
- Pentru a asigura funcționarea optimă a produsului, el trebuie menținut curat.
- Întotdeauna curățați imediat produsul după folosire. Oricând e posibil, folosiți o perie tare în interiorul jgheabului de alimentare și evacuare și o cârpă uscată pentru exteriorul produsului.
- Nu lăsați ca resturi de material să se usuce și să se întărească pe suprafața produsului, dar mai ales pe cuțite. Acest lucru va afecta direct performanța de tocare.
- Asigurați-vă că jgheabul de alimentare și jgheabul de evacuare sunt menținute curate și libere de resturi.
- Asigurați-vă că toate piulițele și șuruburile (cu excepția șuruburilor de reglare) sunt strânse și fixe.
- Duceți la reparat întotdeauna orice piesă deteriorată sau uzată, sau înlocuite de către personal calificat la un centru service Ryobi autorizat.
- Nu încercați niciodată să nu folosiți întrerupătoarele de blocare de pe coșul de colectare sau de pe capacul frontal al ansamblului de tăiere.

⚠️ AVERTISMENT

Nu lăsați deloc lichidul de frână, benzina, produsele pe bază de petrol, uleiurile penetrante etc., să intre în contact cu piesele din plastic. Nu utilizați niciodată lichid de frână, benzină, produse petroliere sau orice fel de solvenți pentru a curăța aparatul. Majoritatea pieselor din plastic sunt susceptibile să se deterioreze de la tipurile diferite de solvenți comerciali și pot fi deteriorate.

- Puteți efectua întreținerea așa cum este descrisă în acest manual. Pentru alte reparații sau consultanță, solicitați asistența unui centru autorizat de servicii RYOBI.

REGLAREA PLĂCII DE TĂIERE

- Produsul funcționează optim urmând acești pași. Înainte de folosire, verificați întotdeauna că lamele nu sunt în contact cu placa de tocure. Pentru o funcționare optimă, păstrați o distanță de 1 mm între lame și placa de tocure.
- Dacă produsul nu toacă materialul, placa de tocure ar putea avea nevoie să fie reglată sau lamele să fie ascuțite.
- În timp lamele produsului trebuie să fie reglate. Acest lucru poate fi făcut prin reglarea plăcii de tocure în așa fel încât să aibă un contact ușor cu lamele. Asigurați-vă că produsul este pornit și că operează în direcția normală, înainte. Reglarea plăcuței de așchiere în timp ce motorul este oprit ar putea avea ca rezultat deteriorarea serioasă a produsului.
NOTĂ: Reglarea plăcii de tăiere trebuie încercată doar atunci când se consideră absolut necesar. Reglarea plăcuței de așchiere prea des sau prea mult poate avea ca rezultat defectarea produsului.
- În timp ce produsul este în funcțiune, rotiți butonul de reglare în sensul acelor de ceasornic.
- Atunci când auziți contact metal pe metal sau vedeți reziduuri fine de aluminiu la fundul recipientului de colectare, opriți reglarea și lăsați produsul să funcționeze

30 de secunde pentru a-și ascuți lamele. Odată ce procesul de ascuțire s-a încheiat, rotiți butonul de reglare în sens invers acelor de ceasornic până când nu mai vine în contact cu plăcuța de așchiere, lăsând un spațiu de 1 mm.

NOTĂ: Ascuțirea lamelor necesită un contact foarte ușor cu placa de tocure. Finalizați încet orice reglare pentru a evita deteriorarea produsului. Suprareglarea plăcii poate cauza deteriorare serioasă a produsului.

RISURI REZIDUALE

Chiar dacă produsul este folosit așa cum a fost prescris, este totuși imposibil să se elimine complet anumii factori de risc reziduali. Următoarele pericole pot apărea în timpul folosirii și operatorul trebuie să acorde o atenție specială pentru a evita următoarele:

- Vătămare cauzată de zgomot.
 - Purtați protecție pentru auz și limitați expunerea.
- Vătămarea cauzată de inhalarea de praf sau particule.
 - Atunci când este necesar, purtați mască de praf cu filtru.
- Vătămare cauzată de mijloacele de tăiere.
 - Țineți mereu părțile neprotejate ale corpului ferite de mecanismul de tăiere.

REDUCEREA RISCULUI

S-a raportat faptul că vibrațiile produse de unelele manuale pot contribui, la anumite persoane, la o afecțiune denumită Sindromul Raynaud. Simptomele pot include furnicături, amorțeală și albirea degetelor, care apare, de obicei, după expunerea la frig. Factori ereditari, expunerea la frig și umiditate, dieta, fumatul și practicile de muncă contribuie la dezvoltarea acestor simptome. Există măsurători care pot fi efectuate de către operator pentru a reduce efectele de vibrațiilor:

- Păstrați-vă temperatura corporală ridicată pe vreme rece. Când operați produsul purtați mănuși pentru a menține calde mâinile și încheieturile. S-a constatat că

vremea rece este un factor major care contribuie la sindromul Raynaud.

- După fiecare perioadă de operare, trebuie făcute exerciții pentru a crește circulația sângelui.
- Trebuie făcute pauze la intervale de timp regulate. Limitați expunerea zilnică.

Dacă sunt experimentate oricare dintre simptomele acestei afecțiuni, trebuie întreruptă utilizarea și consultat un medic.

▲ AVERTISMENT

Pot fi cauzate sau agravate vătămările de la folosirea prelungită a aparatului. Atunci când folosiți o sculă pentru perioade prelungite, asigurați-vă că luați pauze regulate.

CUNOAȘTEȚI-VĂ PRODUSUL

Vezi pagina 196.

1. Comutator pornire
2. Comutator oprire
3. Comutator marșarier
4. Buton de resetare a dispozitivului de protecție la suprasarcină
5. Jgheab de alimentare
6. Mâner
7. Buton rotativ de reglare a plăcii de fălțuire
8. Roată
9. Coș de colectare
10. Comutator de siguranță
11. Piston material

NOTĂ: Tragerea în sus a comutatorului de siguranță după introducerea coșului de colectare în dispozitiv activează comutatorul de siguranță.

GHID DE TOCARE A MATERIALULUI

Pentru cele mai bune rezultate atunci când tocați material, urmăriți îndrumările arătate în tabelul de mai jos.

MATERIAL

Crengi cu diametrul de până la 6 mm.

METODĂ DE TOCARE A MATERIALULUI

Alimentați în jgheabul de alimentare într-un ritm pe care produsul îl va accepta fără supraîncărcare.

Ramuri cu diametrul de până la 45 mm.

Tăiați toate părțile crescute pe margini ale crengilor cu o foarfecă înainte de alimentarea în jgheabul de alimentare.

Creșteri de răsaduri de plante, iarbă și arbuști.

Desprindeți bulgării de pământ și pietrele de pe rădăcini pentru a nu deteriora lamele.

Bețe uscate și nuiele

Prin introducerea la capătul operațiunii de tocare, va ajuta la eliminarea umezelii și a sevei plantelor din interiorul produsului și ansamblului de tăiere.

- Nu permiteți să se acumuleze deșeuri din grădină înainte de a le toca întrucât va începe să se transforme în compost, va deveni prea umed și va înfunda mecanismul de tăiere. Materialul uscat va ajuta mare parte din material să curețe jgheabul de evacuare. Salvați câteva bețe uscate până la final pentru a curăța zona lamei.
- Monitorizați frecvent acumularea/colectarea de material tocat.
- Ieșirea la jgheabul de evacuare trebuie să fie liberă tot timpul pentru a preveni blocarea.
- La umplerea coșului de colectare, oprți produsul înainte de golire.

▲ AVERTISMENT

Nu băgați mâinile în interiorul jgheabului pentru a îndepărta materialul mărunțit, în timp ce produsul este pornit sau conectat la sursa de alimentare. Lamele sunt ascuțite. Purtați mănuși rezistente și acordați maximă atenție când curățați sau eliberați blocajele.

▲ AVERTISMENT

Atunci când alimentați ramuri/tulpini lemnoase lungi în produs fiți atent la mișcările bruște și la vibrații pe măsură ce sunt prinse de cuțite. Operatorul trebuie să poarte protecție pentru ochi oricând folosiți produsul.

⚠️ AVERTISMENT

Dispozitivul de tăiere are tendința să tragă ramurile/tulpinile în produs. Nu încercați să împiedicați intrarea materialului care va fi tăiat odată ce alimentarea materialului a început. Purtați întotdeauna mănuși pentru a preveni sfâșierea pielii când alimentați materialul în produs.

NOTĂ: Atunci când instalați produsul pentru utilizare, asigurați-vă că acesta este securizat astfel încât să nu se răstoarne (vezi pagina 197, pasul 2 - 6).

NOTĂ: În timpul utilizării normale, nu opriți produsul până când tot materialul mărunțit nu a ieșit din dispozitivul de tăiere. Dacă produsul este oprit prea devreme, bucățile rămase de material pot să blocheze ansamblul de cuțite și să oprească motorul atunci când reporniți produsul.

SIMBOLURILE DE PE PRODUS.



Citiți și înțelegeți toate instrucțiunile înainte de a opera produsul, urmați toate avertizările și instrucțiunile de siguranță.



Feriți-vă de obiecte proiectate sau în zbor. Țineți toți trecătorii, în special copiii și animalele de companie la cel puțin 15 metri de zona de operare.



Pericol - lame rotative. Țineți mâinile și picioarele în afara deschizăturilor cât timp produsul este în funcțiune.



Opriti și scoateți din priză înainte de a efectua operațiuni de întreținere sau dacă cablul este deteriorat.



Purtați protecție pentru ochi și urechi.



Nu îl folosiți ca și treaptă.



Așteptați până când toate componentele echipamentului s-au oprit complet înainte de a le atinge.



Purtați mănuși care nu alunecă, destinate pentru operațiuni grele.



Acest aparat este conform cu ansamblul normelor reglementare din țara din UE în care a fost cumpărat.



Marcaj de conformitate EurAsian



Semn de conformitate ucrainean



Nivelul garantat de putere al sunetului este de 102 dB



Clasa II: Protecția împotriva electroșocurilor se bazează pe dubla izolare sau pe izolarea consolidată.



Deșeurile produselor electrice nu trebuie să fie înlăturate împreună cu deșeurile casnice. Vă rugăm să reciclați acolo unde există facilități. Verificați la autoritatea dvs locală sau la vânzător pentru sfaturi privind reciclarea.



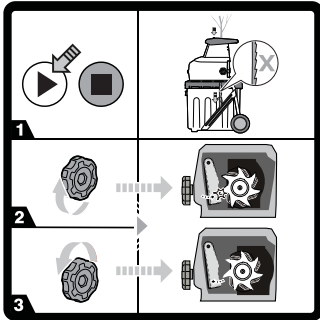
Pornire



Stop



Înapoi



Dacă produsul nu toacă materialul, ar putea fi necesară reglarea plăcii de fălțuire.

1. Porniți produsul.
2. Rotiți butonul de reglare a plăcuței de așchiere în sensul acelor de ceasornic până când auziți sunetul materialului metalic sau când observați așchii fine de aluminiu pe fundul coșului de colectare.
3. După 30 de secunde, rotiți butonul în sens invers acelor de ceasornic până când plăcuța de așchiere se află la o distanță de 1 mm de cuțite.

Următoarele cuvinte simbol și înțelesul lor au intenția de a explica nivelele de risc asociate cu acest produs.

⚠ PERICOL

Indică o situație periculoasă iminentă, care dacă nu este evitată va cauza decesul sau vătămarea gravă.

⚠ AVERTISMENT

Indică o situație periculoasă iminentă, care dacă nu este evitată poate rezulta în deces sau vătămare gravă.

⚠ ATENȚIE

Indică o situație potențial periculoasă, care dacă nu este evitată poate cauza vătămarea moderată sau ușoară.

ATENȚIE

Fără a simbolul de alertă privind siguranța Indică o situație care poate duce la pagube materiale.

EN
FR
DE
ES
IT
NL
PT
DA
SV
FI
NO
RU
PL
CS
HU
RO
LV
LT
ET
HR
SL
SK
BG
UK
TR

SIMBOLURI DIN ACEST MANUAL



Conectarea la priză



Deconectați de la priză



Piese sau accesorii vândute separat



Notă



Avertisment



Piedică



Deblocare



Țineți mâinile departe de lame.

REMEDIEREA DEFECȚIUNILOR

PROBLEMĂ	CAUZA	ACȚIUNE
Nu funcționează motorul.	A intrat în funcțiune dispozitivul de protecție la suprasarcină.	Așteptați răcirea motorului, apăsați butonul de resetare a dispozitivului de protecție la suprasarcină. Porniți din nou produsul.
	Pană de curent	Verificați cablul de alimentare, priza și siguranța casei.
	Coșul de colectare nu a fost montat pe produs și/sau comutatorul de siguranță nu a fost activat.	Introduceți coșul de colectare și apoi trageți în sus comutatorul de siguranță, pentru a-l activa.
Materialul care trebuie tocat nu este tras.	Materialul s-a blocat în pâlnia de alimentare.	Urmați instrucțiunile din manual pentru eliberarea obstrucțiilor.
	Placa de fălțuire este prea departe de mijloacele de tăiere.	Urmați instrucțiunile din manual pentru reglarea plăcii de tocare.



Drošība, sniegums un uzticamība ir augstākā prioritāte jūsu jaunajā elektriskajā klusajā smalcinātājā.

PAREDZĒTAIS LIETOJUMS

Elektriskais klusais smalcinātājs ir paredzēts izmantošanai ārpus telpām, nekustīgā stāvoklī, lietotājam stāvot uz zemes.

Izstrādājums ir paredzēts tādu organisko dārza atkritumu samazināšanai kā zariem, lapām un saknēm.

Produkts nav paredzēts neorganisku materiāli, metālu vai materiāliem, kuri pārsniedz tā maksimālo 45 mm diametra griešanas kapacitāti.

Produktam jābūt uzstādītam uz komplektācijā iekļautā statīva, tas jālieto kopā ar tam paredzēto savākšanas tvertni. To drīkst uzstādīt tikai šajā rokasgrāmatā parādītajā veidā.

Nelietojiet citiem mērķiem.

VIŠPĀRĒJIE DROŠĪBAS NOTEIKUMI

▲ BRĪDINĀJUMS

Ierīce nav paredzēta bērniem vai cilvēkiem ar samazinātām fiziskām, garīgām spējām vai maņu kustību traucējumiem. Personai, kas nav lietotājs, vienmēr ir jāuzrauga mazi bērni, lai nodrošinātu, ka tie nespēlējas pie vai ar precī.

▲ BRĪDINĀJUMS

Izmantojot izstrādājumu, jāievēro pamata drošības pasākumi, lai mazinātu aizdegšanās, elektrošoka un traumu risku. Uzmanīgi izlasiet visas šīs drošības instrukcijas, pirms darbināt precī. Noteikti iepazīstieties ar izstrādājuma vadības elementiem un noskaidrojiet, kāda ir tā pareiza un droša lietošana. Lūdzu, glabājiet noteikumus drošā vietā vēlākai izmantošanai.

APMĀCĪBA

- Iepazīstieties ar lietošanas instrukciju, pirms sākt lietot produktu.
- Nekad neļaujiet bērniem vai personām, kas nav iepazinušās ar instrukcijām, izmantot precī. Vietos īstatymai gali apriboti jrengimo operatoriaus amžiu.

- Produkta operators vai lietotājs ir atbildīgs par nelaimes gadījumiem vai briesmām citiem cilvēkiem vai to īpašumam.

SAGATAVOŠANA

- Nekad nelietojiet produktu, ja apkārt atrodas citi, it sevišķi bērni un dzīvnieki.
- Nekad neizmantojiet produktu sliktos laika apstākļos vai, pastāvot zibens riskam.
- Lietojot ierīci, visu laiku valkājiet dzirdes aizsargaprīkojumu un aizsargbrilles.
- Lietojot produktu, vienmēr valkājiet slēgtus (neslīdošus) apavus un garas bikses. Nevelciet vaļīgu apģērbu vai apģērbu ar auklām un lentēm. Nelietojiet produktu, ja kājās nav apavu vai valkājāt atvērtas sandales.
- Lietojiet produktu tikai atklātā vietā (piemēram, atstatu no sienām vai nekustīgiem priekšmetiem) un uz stabilas, līdzenas virsmas.
- Nelietojiet ierīci uz bruģētām vai grantētām virsmām, kur lidojoši priekšmeti var radīt ievainojumus.
- Pirms produkta ieslēgšanas pārbaudiet, vai visas skrūves, uzgriežņi, bultskrūves un citi stiprinājumi ir atbilstoši pievilkti un, vai aizsargi un savākšanas tvertne ir vietā. Ja jāaizstāj sabojātas vai nesalasāmas uzlīmes, dodieties uz pilnvarotu servisa centru.
- Pirms lietošanas pārbaudiet, vai barošanas un pagarinātāja vadi nav bojāti vai novecojuši. Ja vads lietošanas laikā tiek sabojāts, nekavējoties atvienojiet to no barošanas avota. Nepieskarieties kabelim pirms strāvas atvienošanas. Nelietojiet iekārtu, ja tās vads ir bojāts vai nodilis.

ELEKTRODROŠĪBA

- Pirms produkta pieslēgšanas elektrotīklam rūpīgi izlasiet šos drošības norādījumus.
- Pirms ieslēgšanas pārliecinieties, vai spriegums jūsu elektrotīklā ir tāds pats kā norādīts uz ražotāja etiķetes. Ražotājs iesaka pieslēgt produktu kontaktligzdai ar strāvas noplūdes aizsardzību un aizsardzības automātiskā slēdža robežlielumu ne lielāku par 30 mA.
- Ja ierīce tiek pievienota citam strāvas avotam, tā var sabojāties.
- Ja strāvas padeves vads ir bojāts, lai

EN
FR
DE
ES
IT
NL
PT
DA
SV
FI
NO
RU
PL
CS
HU
RO
LV
LT
ET
HR
SL
SK
BG
UK
TR



izvairītos no riska, to drīkst nomainīt ražotājs, servisa pārstāvis vai līdzīgi kvalificētas personas.

- Ja jums ir nepieciešamība lietot pagarinātāja vadu, pārliecinieties, ka tas ir derīgs lietošanai ārā un, ka tam ir atbilstoša jauda, lai spētu ar elektrību nodrošinātu jūsu darbarīku. Pagarinātājauklai ir jābūt apzīmētai ar "H05 RN-F" vai "H05 VV-F" Pirms katras lietošanas pārbaudiet, vai nav bojājumu, turklāt vadam lietošanas laikā vienmēr jābūt atītam, jo satīti vadi var pārkarst. Bojātu vada pagarinātāju nedrīkst labot, to jānomaina pret līdzvērtīgu.
- Turiet pagarinātāju vadus atstatu no bīstamām kustīgajām daļām, lai izvairītos no bojājumiem vadiem, kas var izraisīt saskarsmi ar zem sprieguma esošām daļām.

SMALCINĀTĀJA DROŠĪBAS NORĀDES

MONTĀŽA

- Uzstādot produktu lietošanai, nodrošiniet, ka tas tiek nostiprināts tā, lai nevarētu apgāzties. *Skatīt 197. lappusi*

EKSPLUATĀCIJA

- Pirms ierīces iedarbināšanas ieskatieties padeves kamerā, lai pārliecinātos, ka tā ir tukša.
- Netuviniet seju un ķermeni padeves atverei.
- Nepieļaujiet roku vai citu ķermeņa daļu, kā arī apģērba iekļūšanu padeves kamerā, izlādes kamerā vai kustīgu detaļu tuvumā.
- Vienmēr saglabājiet stabilu stāvokli. Visu laiku stāviet stingri un stabili. Nepersitempkite. Pieliekot ierīci pie apstrādājamās vietas, nekad nestāviet augstākā līmenī par ierīces pamatni. Ievērojiet piesardzību, izmantojot izstrādājumu nogāzēs. Ejiet, nekādā gadījumā neskrīeniet.
- Lietojot produktu vienmēr stāviet sāpus no produkta izmešanas atveres zonas.
- Pieliekot ierīci pie apstrādājamās vietas, uzmanīgi vērojiet, vai tur nav metāla daļas, akmeņi, pudeles, skārda tvertnes un citi svešķermeņi.
- Ja griešanas mehānisms atsitas pret jebkādu svešķermeni vai izstrādājums sāk radīt jebkādas neparastas skaņas

vai vibrāciju, izslēdziet produktu un ļaujiet griežņiem pilnībā apstāties. Atvienojiet izstrādājumu no strāvas padeves un veiciet tālāk norādītās darbības.

- pārbaudiet, vai nav bojājumu;
- pārbaudiet un pievelciet vajīgās detaļas;
- visas bojātās vai labotās daļas drīkst labot un aizstāt ar oriģinālām RYOBI rezerves daļām
- Neļaujiet apstrādātajam materiālam uzkrāties izvadā, jo tas var traucēt pareizai izvadei, kā arī izraisīt nosprostoju vai materiāla atsitienu caur padeves ieejas atvērumu.
- Ja produkts nosprostojas, izslēdziet produktu un ļaujiet griežņiem pilnībā apstāties. Pirms grūžu tīrīšanas atvienojiet izstrādājumu no strāvas padeves.
- Nekad nelietojiet produktu, ja aizsargi, vāki, savākšanas tvertne vai citas drošības ierīces ir bojātas, neatrodas vietā vai nav labā darba kārtībā.
- Ja smalcināšanas procesā rodas putekļi, nēsājiet atbilstošu putekļu masku, lai novērstu elpceļu savainojumus.
- Kamēr prece darbojas, to nedrīkst pārvietot vai transportēt.
- Izslēdziet iekārtu un atvienojiet to no strāvas padeves. Pārliecinieties, ka visas kustīgās daļas ir pilnīgi apstājušās:
 - pirms atstāt izstrādājumu bez uzraudzības
 - pirms nosprostoju tīrīšanas
 - pirms izstrādājuma pārbaudes, tīrīšanas vai apkopes.
- Nesasveriet izstrādājumu, kamēr darbojas motors.
- Nekad neizmainiet produkta daļas vai neizmantojiet daļas kuras nav ieteicis RYOBI, tas var palielināt smagu ievainojumu risku jums un pārējiem.
- Vienmēr nodrošiniet, lai ventilācijas atverēs nav grūžu, jo citādi motors var pārkarst, izraisot iespējamu izstrādājuma bojājumu vai palielinot ugunsgrēka risku.
- Nelaiemes gadījuma vai salūšanas gadījumā nekavējoties izslēdziet produktu un atvienojiet no elektrības padeves. Neizmantojiet izstrādājumu līdz tas nav pilnībā pārbaudīts pilnvarotā servisa centrā.

- Izslēdziet produkti pirms savākšanas tvertnes uzstādīšanas vai noņemšanas.

▲ BRĪDINĀJUMS

Ilgstoša preces lietošana var radīt ievainojumus vai pasliktināt jau esošos. Ilgstoši lietojot jebkuru instrumentu, pārliecinieties, ka tiek veikti regulāri pārtraukumi.

TRANSPORTĒŠANA UN UZGLABĀŠANA

- Izstrādājumu glabājiet tīrā, sausā un bērniem nepieejamā vietā, pirms tam to rūpīgi notīrot.
- Pirms izstrādājuma uzglabāšanas vai transportēšanas ļaujiet tam pietiekami atdzist.
- Transportējot, nostipriniet precī, lai tā nekustētos vai nenokristu, lai novērstu personu savainojumus vai bojājumus precei.

APKOPE

Pirms produkta pārbaudes, tīrīšanas vai apkopes izslēdziet motoru un ļaujiet griežņiem pilnībā apstāties, atvienojiet elektrības padevi. Smalcināšanas laikā cērtošais mehānisms kļūst karsts. Pirms tīrīšanas, pārbaudes vai regulēšanas ļaujiet tai pietiekami atdzist.

▲ BRĪDINĀJUMS

Cērtošie asmeņi ir ļoti asi. Lai izvairītos no ievainojumiem, ievērojiet īpašu piesardzību un rūpību, veicot tīrīšanu vai strādājot griežņu tuvumā vai atvērta korpusa iekšpusē, kad savākšanas tvertne ir noņemta. Vienmēr velciet lielai slodzei paredzētus aizsargcimdus.

- Atcerieties, ka griezējinstrumenti joprojām var pārvietoties pat tad, ja strāva ir izslēgta vai ir ieslēgts bloķēšanas slēdzis.
- Lai izstrādājumam nodrošinātu labāko sniegumu, tas jāuztur tīrs.
- Vienmēr tūlīt pēc lietošanas iztīriet izstrādājumu. Kur vien iespējams, izmantojiet cietu suku, tīrot ievadatvertes un izvadatveres, un sausu drānu iekārtas ārpusē.

- Neļaujiet materiālam izkalst un sacietēt ne uz vienas no produkta virsmā, bet jo īpaši uz asmeņiem. Tas tieši ietekmēs smalcināšanas sniegumu.

- Pārliecinieties, vai ievadatveres un izvadatveres ir tīras un brīvas no smalcināmā materiāla.
- Pārliecinieties, ka visi uzgriežņi, aizbīdņi un skrūves (izņemot regulēšanas skrūvi) ir cieši pieskrūvētas un drošas.
- Vienmēr lieciet, lai kvalificēts personāls Ryobi servisa centrā salabo bojātās daļas un nomaina nolietotās.
- Nekad nemēģiniet apiet bloķēšanas slēdzus pie savākšanas tvertnes vai uz griežņu bloka priekšējā vāka.

▲ BRĪDINĀJUMS

Neļaujiet bremžu šķidrums, benzīnam, naftas produktiem, smērvielām u.c. saskarties ar plastmasas detaļām. Instrumenta tīrīšanai nekad nelietojiet bremžu šķidrumus, benzīnu, produktus uz naftas bāzes vai šķīdinātājus. Komerציניai tīrīkliai lengvai pažeidzīa daugelį plastikinių daļu paviršių ir gali jas apgadinti.

- Jūs varat veikt šajā rokasgrāmatā aprakstītos apkopes darbus. Remontdarbu veikšanai vai konsultācijai griezieties pēc palīdzības pilnvarotā Ryobi servisa centrā.

ATGRIEZUMU PLĀKSNES REGULĒŠANA

- Precei ir labākais sniegums, ievērojot šos soļus. Pirms izmantošanas, vienmēr pārbaudiet vai asmeņi nav saskarē ar ševingēšanas plāksni. Optimālām sniegumam, atstājiet 1 mm atstarpi starp asmeņiem un ševingēšanas plāksni.
- Ja prece nevar sasmalcināt materiālu, ševingēšanas plāksnei var būt nepieciešams pielāgojums vai nepieciešams uzasināt asmeņus.
- Laika gaitā asmeņus uz preces var būt nepieciešamība regulēt. To var paveikt, regulējot ševingēšanas plāksni, lai tā nedaudz saskaras ar asmeņiem. Pārliecinieties, ka produkts ir ieslēgts un darbojas normālā virzienā uz priekšu.

SMALCINĀŠANAS VADOTNE

Lai smalcinot gūtu optimālus rezultātus, ievērojiet nākamajā tabulā ietvertās norādes.

MATERIĀLS	SMALCINĀŠANAS METODE
Zari līdz 6 mm diametrā.	Lieciet ievadatverē tādos daudzumos, kādos iekārta spēj pieņemt bez pārslodzes.
Zari līdz 45 mm diametrā.	Nogrieziet sānu atzarojumus ar dārza šķērēm pirms ievadīšanas iekārtā.
Dobes augi, nezāles un krūmi	Nokratiet no saknēm augsni un akmeņus, lai nesabojātu asmeņus.
Sausi zari un žagari	Smalcinot tos kā pēdējos, tie savāks lieko mitrumu un augu sulu iekārtas iekšienē un no cērtošās daļas.

- Neļaujiet dārza atkritumiem uzkrāties pirms smalcināšanas, jo sāk veidot kompostu, kļūst pārāk mitri un piesārņo griešanas bloku. Sausu materiāls palīdzēs iztīrīt no izgrūšanas teknes lielāko daļu materiāla. Dažus sausus kociņus saglabājiet līdz beigām, lai atvieglotu asmeņu zonas tīrīšanu.
- Bieži pārbaudiet sasmalcinātā materiāla uzkrāšanos/savākšanu.
- Izvadatveres izejai jābūt brīvai, lai novērstu nosprostošanos.
- Kad savākšanas tvertne ir pilna, izslēdziet produktu pirms tās iztukšošanas.

▲ BRĪDINĀJUMS

Nelieciet rokas smalcinātāja izmešanas atverē, lai iztīrītu sasmalcināto materiālu, kamēr produkts ir ieslēgts vai pievienots pie elektrības padeves. Asmeņi ir asi. Tīrot un izņemot nosprostojumus, izmantojiet lielai slodzei paredzētus cimdus un rīkojieties īpaši uzmanīgi.

▲ BRĪDINĀJUMS

Ievietojot izstrādājumā garus koku zarus/kātus, uzmanieties no sitieniem un vibrācijām, kad grieznis tos satver. Lietotājam darbā ar šo iekārtu jāizmanto aizsargbrilles.

▲ BRĪDINĀJUMS

Griešanas ierīcei ir tendence ievilk izstrādājumā zarus/kātus. Nemēģiniet ierobežot griežamā materiāla ievadīšanu, kad ir sāka padeve. Ievadot smalcināmo materiālu iekārtā, vienmēr izmantojiet cimdus ādas aizsardzībai.

PIEZĪME: Uzstādot produktu lietošanai, nodrošiniet, ka tas tiek nostiprināts tā, lai nevarētu apgāzties (skatīt 197. lappusi, 2 - 6. soli).

PIEZĪME: Normālos lietošanas apstākļos neizslēdziet produktu, līdz viss sasmalcinātais materiāls nav izmests no griežņu mezgla. Ja produkts tiek izslēgts pārāk ātri, atlikušie materiāla gabali var nosprostot griežņu mezglu un nobremzēt motoru, kad produkts tiek atkal ieslēgts.

UZ PRECES ESOŠIE SIMBOLI



Pirms preces darbināšanas izlasiet un izprotiet visus norādījumus, ievērojiet visus brīdinājumus un drošības norādījumus.



Sargieties no izmestiem vai lidojošiem priekšmetiem. Rūpējieties, lai visi tuvumā stāvošie, īpaši bērni un dzīvnieki atrastos vismaz 15 m attālumā no darba zonas



Bīstami - Rotējoši asmeņi. Kamēr ierīce darbojas, turiet rokas un kājas prom no spraugām.



Izslēdziet un atvienojiet kontaktdakšu no sprieguma pirms apkopes vai, ja vads ir bojāts.



Lietojiet acu un ausu aizsargus.



Neizmantojiet kā pakāpienu.



Pirms pieskarties kādam iekārtas komponentam, pagaidiet, līdz tie ir pilnīgi apstājušies.



Valkājiet neslīdošus darba cimdus.



Darbarīks atbilst visām normām ES valstī, kurā tas ir iegādāts.



EurAsian atbilstības marķējums



Ukrainas apstiprinājuma zīme



Garantētais skaņas jaudas līmenis ir 102 dB.



II klase: Aizsardzība pret elektrotriecienu balstās uz divkāršu vai pastiprinātu izolāciju.



Izlietotie elektroprodukti nedrīkst tikt izmesti kopā ar mājsaimniecības atkritumiem. Lūdzu, nododiet tos attiecīgajās atk ār totas izmantošanas vietās. Sazinieties ar savu vietējo varas pārstāvi vai izplatītāju, lai noskaidrotu, kur iespējama atkārtota pārstrāde.



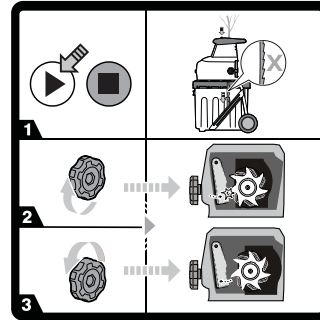
Ieslēgšana



Apturēt



Atpakaļgaitas



Ja izstrādājums nesasmalcina materiālu, iespējams, jāpielāgo griešanas plāksne.

1. Ieslēdziet ierīci.
2. Grieziet apciršanas plāksnes regulēšanas pogu pulksteņrādītāja virzienā, līdz dzirdat saskarsmi metālam pret metālu, vai kamēr redzat savākšanas tvertnē smalkas alumīnija skaidas.
3. Pēc 30 sekundēm pagrieziet pogu pulksteņrādītāja virzienā, līdz starp griežņiem un apciršanas plati ir 1 mm atstarpe.

SIMBOLI ŠAJĀ ROKASGRĀMATĀ



Pievienojiet enerģijas avotam



Atvienojiet no enerģijas avota



Atsevišķi nopērkamās daļas vai piederumi



Piezīme



Brīdinājums



Bloķētājs



Atbloķēt



Neturiet rokas asmeņu tuvumā.

Lai izskaidrotu risku, kas saistīti ar izstrādājumu, līmeni, paredzēti šādi norādījuma vārdi un jēdzieni.

⚠ BĪSTAMI

Norāda draudošo bīstamo situāciju, kas, ja no tās neizvairās, var novest pie nāves vai nopietnas traumas.

⚠ BRĪDINĀJUMS

Norāda potenciālo bīstamo situāciju, kas, ja no tās neizvairās, var novest pie nāves vai nopietnas traumas.

⚠ UZMANĪBU

Norāda potenciālo bīstamo situāciju, kas, ja no tās neizvairās, var novest pie nelielas vai vidējas traumas.

UZMANĪBU

Bez drošības brīdinājuma apzīmējuma

Norāda uz situāciju, kas var radīt īpašuma bojājumus.

GEDIMŪ NUSTATYMAS

GEDIMAS	IEMESLS	DARBĪBA
Motors nedarbojas.	Ir nostrādājusi pārslodzes aizsardzības ierīce.	Nogaidiet līdz motors atdziest, nospiediet pārslodzes aizsargierīces atiestatīšanas pogu. Atkal ieslēdziet produktu.
	Nav strāvas	Pārbaudiet elektrības vadu, kontaktdakšu un mājas drošinātājus.
	Savākšanas tvertne nav ievietota produktā un/ vai drošības slēdzis nav aktivēts.	Ievietojiet savākšanas tvertni, tad pavelciet uz augšu drošības slēdzi, lai to aktivētu.
Smalcināmo materiālu nedrīkst iespiest.	Materiāls ir iestrēdzis padeves piltuvē.	Ievērojiet šī rokasgrāmatas instrukcijas, lai tīrītu aizsprostojumus.
	Griešanas plāksne atrodas pārāk tālu no griezējinstrumentiem.	Ievērojiet rokasgrāmatas instrukcijas ševingošanas plāksnes regulēšanai.



Projektuojant elektrinį betriukšmį smulkintuvą, aukščiausias prioritetas suteiktas saugai, eksploatacinėms savybėms ir patikimumui.

NAUDOJIMO PASKIRTIS

Šis tylusis elektrinis sodo smulkintuvas skirtas stacionariam naudojimui lauke; naudotojas privalo stovėti ant žemės.

Gaminys skirtas organinėms sodo atliekoms, pavyzdžiui šakoms, šakelės ir lapams, smulkinti.

Prietaisas nėra skirtas pjaustyti neorganinės kilmės medžiagas, metalą ar stambesnes kaip 45 mm skersmens medžiagas.

Įrenginį privaloma sumontuoti ant pateikto stovo ir naudoti su pateiktu rinktuvu. Montuoti negalima kitaip, nei parodyta šiame vartotojo vadove.

Nenaudokite kitais tikslais.

BENDROS SAUGOS TAISYKLĖS

⚠ ĮSPĖJIMAS

Krūmapjovės negali naudoti vaikai ar asmenys su fiziniais, psichiniais ar jutimais sutrikimais. Žmonės (ne operatorius) privalo nuolatotis prižiūrėti, kad maži vaikai nežaistų netoli gaminio ar pačiu gaminiu.

⚠ ĮSPĖJIMAS

Naudojantis įrenginiu, reikia imtis pagrindinių apsaugos priemonių, siekiant sumažinti gaisro, elektros smūgio ir sužeidimo pavojų. Prieš pradėdant naudoti gaminį, reikia atidžiai perskaityti šiuos saugos nurodymus. Gerai susipažinkite su valdikliais ir kaip tinkamai bei saugiai naudoti įrenginį. Išsaugokite šią instrukciją ateičiai.

APMOKYMAS

- Perskaitykite visą naudojimo instrukciją prieš bandydami naudotis įrenginiu.
- Šiogaminiojokiubūdunegalimaleistinaudoti vaikams ar asmenims, nesusipažinusiems su šiomis instrukcijomis. Vietos įstatymai gali apriboti įrengimo operatoriaus amžių.
- Už nelaimingus atsitikimus arba kitiems žmonėms ir jų nuosavybei padarytą žalą atsakingas pats įrenginio naudotojas arba jo savininkas.

PARUOŠIMAS

- Niekada nenaudokite įrenginio šalia pašalinių žmonių, ypač vaikų ir augintinių.
- Niekada nenaudokite įrenginio prastomis oro sąlygomis arba esant žaibavimo pavojui.
- Dirbdami su prietaisu visada dėvėkite ausų apsaugos priemones ir apsauginius akinius.
- Naudodami įrenginį visada avėkite tvirtą avalynę (neslidžiais padais) ir dėvėkite ilgas kelnes. Nedėvėkite laisvų drabužių arba drabužių su kabančiais raišteliais arba virvelėmis. Niekada nenaudokite įrenginio basomis arba avėdami atvirus sandalus.
- Įrenginį naudokite tik atvirose vietose (pvz., atokiai nuo sienų ar fiksuotų objektų) ir stovėdami ant tvirto lygaus paviršiaus.
- Prietaiso nenaudokite ant grįstos ar žvyro dangos, kur išmestos medžiagos gali sukelti sužeidimus.
- Prieš įjungdami įrenginį, patikrinkite, ar tinkamai priveržti visi varžtai, veržlės, sraigčiai ir kitos tvirtinimo detalės, taip pat, ar tinkamai sumontuoti visi apsauginiai gaubtai ir rinktuvai. Pakenktas ar neįskaitomas etiketes pateikite įgaliojamam techninio aptarnavimo centrui, kad pakeistų naujomis.
- Prieš naudodami šį prietaisą, patikrinkite, ar jo maitinimo ir ilginamasis laidai nepažeisti ar nenusidėvėję. Jei naudojimosi metu laidas pažeidžiamas, iš karto ištraukite jį iš maitinimo lizdo. Nelieskite laido tol, kol jo neatjungėte nuo maitinimo šaltinio. Jei laidas pažeistas ar nusidėvėjęs, prietaiso nenaudokite.

ELEKTROS SAUGA

- Prieš prijungdami įrenginį prie maitinimo iš tinklo, atidžiai perskaitykite saugos instrukcijas.
- Prieš įjungdami įrenginį, įsitikinkite, ar elektros tinklo įtampa atitinka nurodytą įrenginio techninių duomenų lentelėje. Gamintojas įrenginį rekomenduoja jungti prie elektros lizdo, apsaugoto liekamosios el. srovės saugikliu, kuris suveikia esant ne didesniai nei 30 mA el. srovės stiprumui.





- Prijungus prie bet kokio kito maitinimo šaltinio, galima sugadinti.
- Jeigu maitinimo kabelis pažeistas, tai – siekiant išvengti pavojaus – kabelį privalo pakeisti gamintojas, gamintojo įgaliota techninės priežiūros įmonė arba kvalifikuotas specialistas.
- Jei reikia naudoti pailginimo laidą, patikrinkite, ar jis tinkamas naudoti lauko sąlygomis ir ar jo srovės parametrai tinkami įrankio maitinimui. Pailginimo laidas turi būti paženklintas „H05 RN-F“ arba „H05 VV-F“. Prieš kiekvieną naudojimą patikrinkite, ar nėra pažeidimų, naudojimo metu visuomet išvyniokite, nes suvynioti laidai gali perkaisti. Pažeistų pailginimo laidų nereikia taisyti: juos reikia keisti tolygaus tipo laidais.
- Saugokite ilginamuosius laidus nuo judančių pavojingų dalių, kad nepažeistumėte laidų ir išvengtumėte tiesioginio kontakto su dalimis, kuriomis teka el. srovė.

SODO SMULKINTUVO NAUDOJIMO SAUGOS TAISYKLĖS

SURINKIMAS

- Ruošdami įrenginį naudojimui būtina tvirtai jį pastatykite, kad jis neapvirštų. Žr. 197 psl.

EKSPLOATAVIMAS

- Prieš užvedant prietaisą patikrinkite, ar padavimo kameras yra tuščia.
- Veidas ir kūnas turi būti toliau nuo padavimo įleidimo angos.
- Stebėkite, kad prie padavimo kameros, išmetimo latako ar kitų judančių dalių nepatektų rankos, ar kitos kūno dalys, arba drabužiai.
- Visada atkreipkite dėmesį į stabilią stovėseną. Visada tvirtai stovėkite ir išlaikykite pusiausvyrą. Nepersitempkite. Paduodami medžiagas į prietaisą niekada nestovėkite aukščiau prietaiso apačios. Būkite atsargūs, naudodamiesi gaminiu šlaituose. Visada eikite, niekada nebėkite.
- Naudodami įrenginį, visada stovėkite atokiai nuo išmetimo zonos.
- Paduodami medžiagas į prietaisą būkite

ypač atsargūs, kad metalo, akmenų, butelių, skardinių ar kitų pašalinių objektų dalys ten nepatektų.

- Jei smulkinimo mechanizmas kliudytų pašalinius objektus arba įrenginys pradėtų skleisti neįprastą garsą arba vibruoti, išjunkite įrenginį ir palaukite, kol pjovikliai visiškai sustos. Atjunkite įrenginį nuo maitinimo šaltinio ir atlikite šiuos veiksmus:
 - patikrinkite, ar jis neapgadintas;
 - patikrinkite, ar nėra atsilaisvusių detalių ir jas priveržkite;
 - visas pakenktas dalis reikia keisti ar taisyti originaliomis RYOBI atsarginėmis dalimis.
- Neleiskite apdorotai medžiagai kauptis išmetimo latake, nes tai gali trukdyti tinkamam išmetimui arba sudaryti kamštį, dėl ko medžiaga gali būti išmetama atgal per padavimo angą.
- Jei įrenginys užsikimštų, išjunkite jį ir palaukite, kol pjovikliai visiškai sustos. Prieš valydami nuolaužas, atjunkite įrenginį nuo maitinimo šaltinio.
- Niekada nenaudokite įrenginio, jei apsauginiai gaubtai, dangčiai, rinktuvas ar kiti saugos įtaisai yra sugadinti, neuždėti arba netinkamai veikia.
- Jeigu pjaunant susidaro dulkės, reikia dėvėti tinkamą dulkių apsauginę kaukę, kad dulkės nepatektų į kvėpavimo takus.
- Neperkėlinėkite ir negabenkite gaminio veikiant varikliui.
- Išjungti gaminį ir atjungti jį nuo maitinimo tinklo. Patikrinkite, ar visos judančio dalys visiškai nustojo sukintis:
 - Prieš palikdami įrenginį be priežiūros
 - prieš pašalindami užsikimšimą
 - prieš tikrindami, valydami arba techniškai prižiūradami gaminį.
- Kai variklis veikia, nepakreipkite įrenginio.
- Niekada nekeiskite įrenginio konstrukcijos ir nenaudokite RYOBI nerekomenduojamų dalių, antraip gali padidėti sunkauso susižalojimo ar kitų sužalojimo pavojus.
- Visuomet stebėkite, kad į ventilacijos angas nepakliūtų nuolaužų, kitaip variklis gali perkaisti ir dėl to gali sugesti įrenginys arba padidėti gaisro pavojus.
- Nelaimingo atsitikimo arba gedimo atveju tuoj pat išjunkite įrenginį ir atjunkite jį nuo



elektros tinklo. Nenaudokite įrenginio tol, kol jis nebus išsamiai patikrintas įgaliotos techninės priežiūros centre.

- Išjunkite įrenginį prieš uždedami ar nuimdami rinktuva.

⚠ ĮSPĖJIMAS

Ilgiau naudojant, įrankis kelia sužeidimų pavojų ir apsunkina darbą. Ilgiau naudojant įrankius, reikia reguliariai daryti pertraukas.

GABENIMAS IR LAIKYMAS

- Prieš padedant įrenginį laikyti švarioje, sausoje vietoje, būtina jį gerai nuvalyti ir apsaugoti, kad nepasiektų vaikai.
- Prieš padėdami laikyti arba gabenti palaukite, kol įrenginys visiškai atvės.
- Ruošiant gabenimui, gaminį reikia įtvirtinti, kad nejudėtų arba nenukristų, taip apsaugant žmones nuo sužeidimų ir gaminį nuo apgadinimų.

PRIEŽIŪRA

Prieš valydami, tikrindami ar techniškai prižiūrėdami įrenginį, jį išjunkite ir palaukite, kol pjovikliai visiškai sustos, tada atjunkite jį nuo elektros tinklo. Smulkinant, po kurio laiko pjovimo mechanizmas įkaista. Prieš valydami, tikrindami arba reguliuodami palaukite, kol įrenginys visiškai atvės.

⚠ ĮSPĖJIMAS

Pjovimo įtaiso geležtės ypatingai aštrios. Norėdami išvengti susižalojimo, būkite nepaprastai atsargūs ir atidūs valydami peilius, vykdydami darbus šalia peilių arba atidaryto įrenginio viduje, kai rinktuvas yra nuimtas. Visuomet mėvėkite storas apsaugines pirštines.

- Žinokite, kad pjovimo įtaisai vis dar gali pajudėti, net jei maitinimas išjungtas arba jei įjungtas sujungimo mygtukas.
- Įrenginys geriausiai veikia, kai yra švarus.
- Baigę darbą, įrenginį tuoj pat išvalykite. Jeigu yra galimybė, medžiagų padavimo ir susmulkinimų atliekų išbėrimo lovėlį reikia valyti standžiu šepetėliu, o gaminio išorę – sauso audinio skiaute.
- Nelaukite, kol susmulkinta medžiaga

pridžius ir sukietės ant kokio nors įrenginio paviršiaus, ypač ant peilių. Tai turi tiesioginį poveikį smulkinimo našumui.

- Padavimo ir išbėrimo latakuose negali susikaupti smulkinamų atliekų bei nešvarumų.
- Patikrinkite, ar visos veržlės, varžtai ir sraigčiai (išskyrus reguliavimo sraigta) patikimai priveržti.
- Visas pakenktas ar susidėvėjęs dalis taisyti arba keisti gali tik kvalifikuoti darbuotojai patvirtintame „Ryobi“ techninės priežiūros centre.
- Niekada nebandykite atjungti rinktuvo arba pjoviklio įtaiso priekinio gaubto blokavimo jungiklių.

⚠ ĮSPĖJIMAS

Neleiskite stabdžių skysčiams, benziniui, naftos produktams, persisunkiantiems tepalams ir kt. susiliesti su plastikinėmis dalimis. Prietaiso niekada nevalykite stabdžių skysčiu, benzinu, naftos produktais ar kitais tirpikliais. Komerciniai tirpikliai lengvai pažeidžia daugelį plastikinių dalių paviršių ir gali jas apgadinti.

- Galima atlikti šiame vadove aprašytus priežiūros darbus. Dėl kitų remonto darbų ar patarimų kreipkitės į įgaliotąjį RYOBI techninės priežiūros centrą.

PJOVIMO PLOKŠTELIŲ NUSTATYMAS

- Vadovaujantis šiais nurodymais, gaminys veikia našiausiai. Prieš naudopjant, būtina patikrinti, ar geležtės nesiliečia su pjovimo plokštele. Kad gaminys kuo geriau veiktų, tarp geležčių ir pjovimo plokštelės turi būti 1 mm tarpas.
- Jeigu gaminys nesmulkina medžiagos, gali reikėti sureguliuoti pjovimo plokštelę arba pagaląsti geležtes.
- Ilgainiui, gaminyje įtaisyta geležtes reikia sureguliuoti. Gali pakakti sureguliuoti pjovimo plokštelę, kad ji vos liestųsi su geležtėmis. Įsitikinkite, ar įrenginys yra įjungtas ir veikia įprasta priekinės eigos kryptimi. Reguliuojant smulkinimo plokštę varikliui neveikiant, galima smarkiai sugadinti įrenginį.

PASTABA: Pjaustymo plokštelės reikia reguliuoti tik tuomet, kai tai neišvengiamai

būtina. Per dažnai reguliuojant smulkinimo plokštę arba nustatant ją per toli, įrenginys gali neveikti.

- Įrenginiui veikiant sukite reguliavimo rankenėlę pagal laikrodžio rodyklę.
- Išgirdus, jog metalai susilietė arba pastebėjus smulkių aliuminio drožlių surinkimo talpyklos dugne, reikia lautiis reguliavus ir palikti gaminį veikti 30 sekundžių, kad pasigalastų geležtės. Pabaigę galąsti, sukite reguliavimo rankenėlę prieš laikrodžio rodyklę tol, kol ji nebelies smulkinimo plokštės, palikdami 1 mm tarpelį.

PASTABA: Galandinant geležtes, reikia, kad vos susilietų su pjovimo plokštele. Reguluoti reikia lėtai, kad neapgadintumėte gaminio. Netinkamai sureguliuavus plokštę, gaminį galima stipriai apgadinti.

ŠALUTINIAI PAVOJAI

Net naudojant gaminį pagal nurodymus, neįmanoma visiškai atmesti visų pavojaus veiksmų. Naudojant gaminį gali kilti toliau išvardinti pavojai ir naudotojas turi kreiptis ypatingą dėmesį, kad jų išvengtų:

- Triukšmo sukelta trauma
 - Dėvėkite akių apsaugą ir ribokite poveikio trukmę.
- Sužeidimai, sukelti įkvėpus dulkių ir dalelių
 - Jei reikia, dėvėkite kaukę su oro filtru.
- Sužeidimas, sukeltas sąlyčio su pjovimo įtaisais
 - Neapsaugotos kūno dalys visada turi būti atokiai nuo pjovimo mechanizmo.

RIZIKOS MAŽINIMAS

Turime pranešimų, kad vibracija nuo ranka laikomų įrankių kai kuriems asmenims gali turėti neigiamos įtakos vystantis Raynaud sindromui. Šios ligos požymiai yra pirštų dilgčiojimas, nutirpimas ir pabalimas, paprastai pasireiškiantis nuo šalčio. Šie simptomai vystosi dėl paveldimų veiksmų, nesisaugant nuo šalčio ir drėgmės, dėl mitybos, rūkymo ir darbo praktikos. Operatorius gali imtis šių priemonių, kurios gali sumažinti vibracijos poveikį:

- Apsirenkite kuo šilčiau šaltu oru. Naudojant gaminį, reikia mūvėti pirštines, kad plaštakos ir riešai neatšaltų. Turime

pranešimų, kad Raynaud sindromas labiausiai vystosi nuo šalto oro sąlygų.

- po darbo kiekvieną kartą pasportuokite, kad pagerėtų kraujo apytaka;
- dažnai darykite darbo pertraukas. Apribokite darbo laikotarpį per dieną.

Jei jums pasireiškia kokie nors šios būklės simptomai, nedelsdami nutraukite darbą ir kreipkitės į gydytoją.

⚠ ĮSPĖJIMAS

Ilgiau naudojant, įrankis kelia sužeidimų pavojų ir apsunkina darbą. Ilgiau naudojant įrankius, reikia reguliariai daryti pertraukas.

PAŽINKITE SAVO GRANDININĮ PJŪKLĄ

Žr. 196 psl.

1. Įjungimo jungiklis
2. Išjungimo jungiklis
3. Atbulinės eigos jungiklis
4. Apsaugos nuo perkrovos įtaiso atitaisymo mygtukas
5. Padavimo piltuvai
6. Rankena
7. Skutamosios plokštelės reguliavimo rankenėlė
8. Ratas
9. Rinktuvas
10. Apsauginis jungiklis
11. Medžiagos plunžeris

PASTABA: Patraukus apsauginį jungiklį aukštyn, kai rinktuvas yra įdėtas į įrenginį, apsauginis jungiklis bus suaktyvintas.

SMULKINIMO KREIPTUVAS

Kad smulkindami gautumėte geriausių rezultatų, laikykitės toliau lentelėje pateiktų nurodymų.

MEDŽIAGA

SMULKINIMO BŪDAS

Šakelės iki 6 mm skersmens.

Dėkite į padavimo lovelį greičiu, kuriuo gaminys gali veikti neįvykstant perkrovai.

Šakos iki 45 mm skersmens.

Prieš įdedant į padavimo lovelį, reikia sekatoriumi ar sodo žirkklėmis nukarpyti visą šoninę augmeniją.

Gėlės, piktžolės ir krūmokšniai. Nuo šaknų nuvalykite akmenis ir žemes, kad nesugadintumėte geležčių.

Sausi stagarai ir šakelės Juos įdėjus smulkinimo pabaigoje, iš gaminio bei pjovimo įtaisų išsivalys drėgmė ir augalų sultys bei sakai.

- Neleiskite sodo atliekoms kauptis iki smulkinimo, nes jos pradeda pūti, tampa pernelyg klampios ir užkemša pjaustymo mazgą. Sausa medžiaga padeda išstumti kitą medžiagą iš išmetimo latako. Pasilikite kelias sausas lazdeles iki darbo pabaigos, kad jomis galėtumėte išvalyti geležtės zoną.
- Dažnai tikrinkite, ar nesusidarė susmulkintos medžiagos nuosėdų arba sancaupų.
- Išbėrimo lovelio angoje jokia būdu negalima leisti susikaupti nuolaužų kamščiai.
- Rinktuvui prisipildžius, išjunkite įrenginį ir ištuštinkite rinktuvą.

⚠ ĮSPĖJIMAS

Nekiškite rankų į smulkintuvo išmetimo lataką norėdami pašalinti susmulkintą medžiagą įrenginiui veikiant arba neatjungę jo nuo elektros tinklo. Geležtės aštrios. Valydami ir šalindami kamščius, dėvėkite storas pirštines ir būkite ypatingai atsargūs.

⚠ ĮSPĖJIMAS

Paduodami ilgias medžio šakas arba stiebus į įrenginį, saugokitės jų plaikstymosi arba vibracijos, kai šiuos pagauna pjovimo įtaisai. Naudodamas gaminį, operatorius būtinai privalo dėvėti akių apsaugą.

⚠ ĮSPĖJIMAS

Pjovimo įtaisas traukia šakas ir stiebus į įrenginį. Prasidėjus padavimui, nbandykite stabdyti smulkinti paduodamos medžiagos. Įdedant medžiagą į gaminį, būtina mūvėti pirštines, kad nesusidraskytų oda.

PASTABA: Ruošdami įrenginį naudojimui būtinai tvirtai jį pastatykite, kad jis neapvirštų

(žr. 197 p. 2 - 6 veiksmą).

PASTABA: Įprastai naudodami įrenginį neišjunkite jo, kol pjoviklyje neliks jokios susmulkintos medžiagos. Jei įrenginį išjungsitė per greitai, kitą kartą įjungus įrenginį, likusios medžiagos dalelės gali užkimšti peilį ir variklis gali užgesti.

SIMBOLIAI ANT ĮRENGINIO



Prieš naudodami įrenginį, atidžiai perskaitykite instrukcijas, laikykitės įspėjimų ir saugos nurodymų.



Saugokitės išmetamų arba skrendančių objektų. Visi pašaliniai asmenys, ypač vaikai ir naminiai gyvūnai, turi būti ne arčiau kaip 15 m nuo darbo vietos.



Pavojus -- besisukančios geležtės. Kai krūmaprovė veikia, laikykite rankas ir kojas atokiai nuo angų.



Išjunkite ir atjunkite kištuką nuo elektros lizdo prieš atlikdami techninę priežiūrą arba tuo atveju, jei būtų pažeistas laidas.



Dėvėkite akių ir ausų apsaugą.



Nenaudokite vietoje laiptelio.



Prieš paliesdami įrenginio dalis palaukite, kol jos visiškai sustos.



Mūvėkite neslystančias, tvirtas apsaugines pirštines.



Šis prietaisas atitinka visas reglamentuotas normas ES šalies, kur jis buvo nupirktas.



„EurAsian“ atitikties ženklas



Ukrainos atitikties ženklas



Garantuojama garso galia yra 102 dB



II klasė: Nuo elektros smūgio apsaugoma dėl dvigubos ar sutvirtintos izoliacijos.



Elektrinių produktų atliekos neturi būti metamos kartu su namų ūkio atliekomis. Prašome perdirbkite jas ten, kur yra tokios perdirbimo bazės. Dėl perdirbimo patarimo kreipkitės į savo vietinę savivaldybę ar pardavėją.



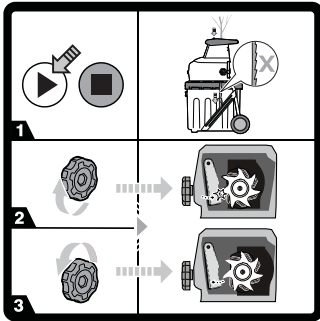
Įjungimas



Stabdyti



Atgal



Jei įrenginys nesmulkina medžiagos, gali reikėti pareguliuoti skutamąją plokštelę.

1. Įjunkite gaminį.
2. Sukite smulkinimo plokštės reguliavimo rankenėlę pagal laikrodžio rodyklę, kol išgirsite, kaip metalas paliečia metalą arba rinktuvo dugne pamatysite smulkias aliuminio drožles.
3. Po 30 sekundžių sukite rankenėlę prieš laikrodžio rodyklę, kol smulkinimo plokštė bus 1 mm atstumu nuo peilių.

SIMBOLIAI VADOVE



Pajunkite į maitinimo lizdą



Išjunkite iš maitinimo lizdo



Detalės arba priedai yra parduodami atskirai



Pastaba



Įspėjimas!



Blokėtąjs



Atrakinti



Rankas laikykite toliau nuo geležčių.

Šie signaliniai žodžiai yra skirti nurodyti su prietaiso naudojimu susijusio pavojaus lygį.

⚠ PAVOJUS

Reiškia ypač pavojingą padėtį, kurios neišvengus bus patirti sunkūs ar net mirtini sužeidimai.

⚠ ĮSPĖJIMAS

Reiškia potencialiai pavojingą situaciją, kurios neišvengus galimi sunkūs ar net mirtini sužeidimai.

⚠ ATSARGIAI

Reiškia potencialiai pavojingą situaciją, kurios neišvengus galimi lengvi ar vidutinio sunkumo sužeidimai.

ATSARGIAI

Be įspėjamųjų simbolių

Reiškia nuosavybės žalos tikimybę.

GEDIMŲ NUSTATYMAS

GEDIMAS	PRIEŽASTIS	VEIKSMAS
Variklis neveikia.	Suveikia apsaugos nuo perkrovos įtaisas.	Palaukite, kol atvės variklis, tada paspauskite apsaugos nuo perkrovos įtaiso atitaisymo mygtuką. Vėl įjunkite įrenginį.
	Elektros maitinimo triktis	Patikrinkite maitinimo kabelį, kištuką ir namų elektros tinklo saugiklį.
	Rinktuvas neįdėtas į įrenginį ir (arba) nesuaktyvintas apsauginis jungiklis.	Įdėkite rinktuvą, tada patraukite apsauginį jungiklį aukštyn, kad jį suaktyvintumėte.
Neįtraukiamos smulkinti skirtos medžiagos.	Medžiaga užstrigo tiekimo piltuve.	Laikykitės vadove pateiktų nurodymų dėl kamščių šalinimo.
	Skutamoji plokštelė yra per toli nuo pjaunamųjų įtaisų.	Laikykitės vadove pateiktų nurodymų dėl pjovimo plokštelės reguliavimo.

Elektrilise müravaba oksapurusti konstrueerimisel on peaeesmärgiks olnud toote ohutus, tootlikkus ja töökindlus.

OTSTARBEKOHANE KASUTAMINE

Elektriline müravaba purusti on mõeldud kasutamiseks õues liikumatul ühe koha peal, kusjuures kasutaja seisab maapinnal.

Toode on mõeldud aia orgaaniliste jäätmete nagu okste, oksaraagude ja lehtede vähendamiseks.

Toode ei ole ette nähtud mitteorgaaniliste materjalide, metallide ja jämedama materjali kui 45 mm tükeldamiseks.

Toode tuleb paigaldada kaasasolevale alusele ja kasutada koos kaasasoleva kogumiskastiga. Seda ei tohi paigaldada mitte mingil muul viisil kui käesolevas kasutusjuhendis kirjeldatud.

Ärge kasutage ühekski muuks otstarbeks.

ÜLDISED OHUTUSESKIRJAD

⚠ HOIATUS

Seade ei ole ette nähtud kasutamiseks laste või nende isikute poolt, kellel on piiratud füüsilised, vaimsed või sensoorsed võimed. Väikelaste järele peab keegi teine kui kasutaja pidevalt valvama, et nad seadmega või seadme läheduses ei mängiks.

⚠ HOIATUS

Seadme kasutamisel tuleb järgida üldisi ohutusnõudeid, et vähendada tulekahjust ja elektrilöögist tingitud ohtu ning vältida kehavigastusi. Lugege enne masina kasutamist kõik need ohutusjuhised hoolikalt läbi. Õppige kõiki juhtseadisi ja õigeid kasutusvõtteid hoolikalt õigeks ja turvaliseks kasutamiseks tundma. Hoidke juhend edaspidiseks kasutamiseks alles.

VÄLJAÕPE

- Tutvuge kasutusjuhendiga, enne kui proovite toodet kasutada.
- Ärge laske kultivaatorit kasutada lastel ega neil, kes ei ole käesoleva juhendiga tutvunud. Kohalikud regulatsioonid võivad seada kasutaja vanusele piiranguid.
- Toote kasutaja vastutab teistele inimestele

või nende varale põhjustatud õnnetuste või ohtude eest.

ETTEVALMISTUSTOIMINGUD

- Ärge kunagi kasutage toodet kõrvalseisjate, eelkõige laste ja lemmikloomade, läheduses.
- Ärge kunagi kasutage toodet halva ilmaga ega äikeseohu korral.
- Kandke masina kasutamisel alati kuulmiskaitseid ja kaitseprille.
- Toodet kasutades kandke alati tugevaid (mittelibiseva tallaga) jalanõusid ja pikki pükse. Vältige selliste riiete kandmist, mis on lödvad või millel on paelad või sidemed. Ärge kasutage toodet paljajalu ega lahtiste sandaalidega.
- Kasutage toodet üksnes lagedal alal (nt mitte seinale või liikumatu objekti lähedal) ning kindlal ja tasasel pinnal.
- Ärge kasutage masinat sillutatud või kruusaga kaetud pinnal, kus väljalastav materjal võib põhjustada vigastusi.
- Enne toote käivitamist kontrollige, kas kõik kruvid, mutrid, poldid ja muud kinnitusdetailid on korralikult kinni ning kaitse ja kogumiskast omal kohal. Pöörduge vigastatud ja loetamatute kleebiste asendamiseks volitatud hoolduskeskuse poole.
- Enne kasutamist kontrollige, et toite- ja pikendusjuhtmetel ei ole vigastusi ega vananemise märke. Kui juhe saab töötamise ajal vigastada, siis ühendage see kohe lahti. Ärge puudutage toitejuhet enne, kui see on vooluvõrgust lahti ühendatud. Kui juhe on vigastada saanud, siis ärge seadet kasutage.

ELEKTRIOHUTUS

- Lugege käesolevad ohutuseeskirjad läbi, enne kui seadme toitevõrku ühendate.
- Enne sisselülitamist veenduge, et teie elektrivarustuse pinge vastab andmesildil olevale. Tootja soovib ühendada rikkevoolukaitsega pistikupesasse, mille rakendusvool ei ole suurem kui 30 mA.
- Selle ühendamine mõnda muusse toitevõrku võib põhjustada vigastusi.
- Kui toitejuhe on vigastatud, siis see tuleb ohutuse tagamiseks lasta asendada tootja, tema hooldusagendi või samaväärse

hooldaja poolt, et ohtu vältida.

- Kui teil on vaja kasutada pikendusjuhet, veenduge et see on välistingimuste jaoks sobiv ja teie tööriista jaoks piisava ristlõikega. Pikenduskaablitel peab olema markeering "H05 RN-F" või "H05 VV-F". Kontrollige seda iga kord enne kasutamist vigastuste suhtes, kerige see alati lahti, muidu võib juhe üle kuumeneda. Ärge hakake vigastatud pikendusjuhet parandama, vaid asendage teise sobivat tüüpi juhtmega.
- Hoidke pikendusjuhtmed liikuvatest ohtlikest osadest eemal, et vältida juhtmete vigastamist ja seeläbi kokkupuudet voolu all olevate osadega.

PURUSTI OHUTUSHOIATUSED

KOKKUPANEK

- Toodet kasutamiseks seades veenduge, et toode on kinnitatud ja ei kuku ümber. Vt leht 197.

KASUTAMINE

- Enne masina käivitamist vaadake etteandekambrisse ja veenduge, et see on tühi.
- Hoidke oma nägu ja keha eemal toiteavast.
- Ärge laske käsi ega muid kehaosaid või riietusesemeid etteandekambrisse, väljalaskerenni ega liikuvate osade lähedusse sattuda.
- Tagage endale kindel jalgeaalune. Hoidke end pidevalt jalgadel ja tasakaalus. Ärge kummardage. Ärge seiske materjali sisselaadimise ajal masina alusest kõrgemal. Olge ettevaatlik, kui kasutate toodet kaldpindadel. Töötamisel kõndige, ärge kunagi jookske.
- Toote kasutamise ajal hoidke alati väljalaskepiirkonnast eemale.
- Masina täitmisel olge äärmiselt hoolas ja jälgige, et materjali hulka ei satu metallitükke, kive, pudeleid, purke ja muid võõrkehaid.
- Kui löikemehhanism satub kokkupuutesse võõrkehaga või kui toode hakkab tekitama ebatavalist müra või vibratsiooni, lülitage see välja ja laske löiketeradel täielikult peatuda. Ühendage seade elektritoite

allikast lahti ja tehke järgmised toimingud.

- kontrollige üle vigastuste suhtes;
- kontrollige ja pingutage lõtvunud osad;
- Laske kõik vigastatud osad asendada või parandada RYOBI varuosadega.
- Ärge laske töödeldud materjalidel koguneda väljalaskerenni, see võib nõuetekohast väljalaset tõkestada või ummistada ning selle tagajärjeks võib olla materjali tagasilöökk etteandevasse.
- Kui toode on ummistunud, lülitage see välja ja laske löiketeradel täielikult peatuda. Enne prahist puhastamist ühendage seade elektritoite allikast lahti.
- Ärge kunagi kasutage toodet, kui kaitsed, katted, kogumiskast või muud turvaseadmed on kahjustatud, need ei ole omal kohal või töökorras.
- Purustamise käigus tekib tolmu, kandke hingamisteede kaitseks respiraatorit.
- Ärge seadet mootori töötamise ajal teisaldage ega transportige.
- Lülitage seade välja ja ühendage toitevõrgust lahti. Veenduge, et kõik masina liikuvad osad on täielikult seiskunud:
 - enne toote juurest lahkumist
 - enne takistuse kõrvaldamist
 - enne toote ülevaatust, puhastamist või hooldamist.
- Ärge seadet mootori töötamise ajal kallutage.
- Ärge kunagi muutke toote osi ega kasutage osi, mida RYOBI ei ole soovitanud, see võib suurendada tõsiste vigastuste ohtu teile või kellelegi teisele.
- Hoidke ventilatsioonivad prahist alati puhtad, muidu võib mootor üle kuumeneda, mis põhjustab seadme vigastumise ja tõstab tulekahju ohtu.
- Õnnetuse või rikke korral lülitage toode otsekohe välja ja ühendage vooluvõrgust lahti. Ärge kasutage tööriista enne, kui see on volitatud parandustöökajas põhjalikult kontrollitud.
- Enne kogumiskasti paigaldamist või selle eemaldamist lülitage toode välja.

⚠ HOIATUS

Seadme pikaajalisel kasutamisel võite saada kehavigastusi ja varasemad vigastused võivad süveneda. Seadme kasutamisel pika aja jooksul tuleb teha korralisi vaheaegasid.

TRANSPORTIMINE JA HOIUSTAMINE

- Kui tööriista ei kasutata, siis veenduge, et see on täielikult puhastatud, enne hoiustamist kuivas ja lastele mittekättesaadavas kohas.
- Laske seadmel enne hoiule panekut või transportimist maha jahtuda.
- Vedamise ajal tõkestage kultivaator liikuma hakkamise ja alla kukkumise vastu, et vältida kehavigastusi ja masinaosade kahjustamist.

HOOLDUS

Lülitage seade enne puhastamist, ülevaatust või hooldamist välja ja laske lõiketeradel täielikult peatuda ning eemaldage seade vooluvõrgust. Pärast mõne aja vältel töötamist hakkab lõikemehhanism kuumenema. Laske sellel enne puhastamist, üle vaatamist ja reguleerimist maha jahtuda.

⚠ HOIATUS

Lõikuri terad on väga teravad. Vigastuste vältimiseks olge äärmiselt ettevaatlik ja hoolikas, kui puhastate või töötate terade lähedal või avatud korpuses, kui kogumiskast on eemaldatud. Kandke alati tugevdatud kaitsekindaid.

- Veenduge, et lõikevahendeid saab liigutada ka siis, kui toode on välja lülitatud või siis, kui blokeerimislüliti on rakendunud.
- Seadme parima tootluse tagamiseks tuleb seda hoida puhtana.
- Pärast töötamist puhastage seade alati viivitamatult. Puhastage sööteava ja väljalaskeava perioodiliselt jäikade harjastega harja abil ja kuivatage purusti sisemus kuiva lapiga.
- Ärge lubage materjalil toote pindadel kuivada ja kõveneda, eelkõige teradel. See mõjutab otseselt töö tootlust.
- Hoidke etteandekamber ja väljaheitetoru

puhtad ja ärge laske neisse jäätmeid koguneda.

- Veenduge, et kõik mutrid, poldid ja kruvid on kinni keeratud (välja arvatud reguleerkruvi) ja tagavad ohutuse.
- Kõik vigastatud või kulunud osad tuleb lasta Ryobi volitatud hooldustöökojas parandada või asendada.
- Ärge kunagi ignoreerige kogumiskastil või lõikuri esikattel olevaid blokeerimislüliteid.

⚠ HOIATUS

Ärge laske plastosadel mitte mingil juhul sattuda kokkupuutesse auto pidurivedeliku, bensiini, bensiinipõhiste toodete, immutusõlidega või muude samalaadsete vedelikega. Ärge mingil juhul kasutage seadme puhastamiseks pidurivedelikke, bensiini, naftasaaduste-põhiseid puhastusvahendeid ega mingeid lahusteid. Enamik plastikuid on erinevat tüüpi poes müüdavate lahuste kahjustuste suhtes altd ja võivad saada neid kasutades kahjustatud.

- Võite teha ainult neid hooldustoiminguid, mida on kirjeldatud käesolevas kasutusjuhendis. Muu remondi või abi saamiseks pöörduge RYOBI volitatud teeninduskeskusesse.

VASTUTERA REGULEERIMINE

- Seade töötab parimal viisil kui teete järgmised toimingud. Enne kasutamist kontrollige alati, kas lõiketerad ei ole kontaktis lõikeplaadiga. Optimaalseks tööks tuleb lõiketerade ja lõikeplaadi vahel hoida pilu 1 mm.
- Kui seade materjali ei purusta, tuleb lõikeplaati reguleerida või lõiketerad teritada.
- Seadme lõiketerad vajavad aeg-ajalt teritamist. Seda saab teha nii, et lõikeplaati seatakse lõiketeraga kergesse kontakti. Veenduge, et toode on sisse lülitatud ja töötab normaalselt edasi-asendis. Vastulaba reguleerimine ajal, kui mootor on välja lülitatud, võib toodet tõsiselt kahjustada.

MÄRKUS. Vastutera tuleb reguleerida vaid siis, kui peate seda vältimatult vajalikuks. Vastulaba reguleerimine liiga tihti või liiga kaugele võib põhjustada toote peatumist.

- Kui toode töötab, keerake reguleerimisnuppu päripäeva.
- Kui kuulete metallide kokkupuutumise heli või näete kogumiskastis peenikesi alumiiniumi löikeid, peatage pööramine ja laske seadmel terasid teritada 30 sekundi jooksul. Kui teritamine on lõppenud, keerake reguleerimisnuppu vastupäeva, kuni see ei puutu enam vastu vastulaba, jättes 1 mm vahe.

MÄRKUS. Terade teritamisel peavad need olema löikeplaadiga väga kerges kokkupuutes. Tehke reguleerimist aeglaselt, et vältida seadme vigastamist. Plaadi liigne etteanne võib seadet raskelt vigastada.

JÄÄKRISKID

Isegi siis, kui kultivaatorit kasutatakse kirjeldatud viisil, ei ole võimalik kõrvaldada kõiki jääkriskide mõjureid. Töötamise ajal võivad tekkida järgmised ohud, millele operaator peab pöörama erilist tähelepanu.

- Mürast põhjustatud vigastus
 - Kandke kuulmiskaitsevahendeid ja piirake müraga kokkupuudet
- Tolmu ja peenosakeste sisse hingamisest põhjustatud kehavigastus
 - Kandke vajadusel filtriga tolumumaski.
- Lõikeorganitega kokkupuutesse sattumisest põhjustatud kehavigastus
 - Hoidke kaitsmata kehaosad löikeme mehhanismist eemale.

RISKI ALANDAMINE

Teadaolevalt võib käsitööriistade kasutamine põhjustada mõnedel inimestel seisundit, mida nimetatakse Raynaud' sündroomiks. Sümptomidena võib ilmneda sõrmede tuimus ja valkjaks muutumine, mis tavaliselt ilmneb külmas töötamisel. Nende sümptomite puhul tuleb hoiduda külmast ja niiskusest, dieedist ning suitsetamisest ja kasutada õigeid töövõtteid. Vibratsiooni mõju vähendamiseks tuleb rakendada järgmisi abinõusid.

- Külma ilmaga hoidke oma keha soe. Kandke kindaid, et hoida oma käed ja randmed soojad. Uuringud näitavad, et Raynaud's Syndrome ilmneb põhiliselt külma ilmaga.
- Pärast külmas töötamist tehke harjutusi, et

verevarustust kiirendada.

- Tehke regulaarselt töövaheaegasid. Piirake tööperioodi pikkust.

Kui ilmnevad haigustunnused, lõpetage kohe töö ja pöörduge arsti poole.

⚠ HOIATUS

Seadme pikaajalisel kasutamisel võite saada kehavigastusi ja varasemad vigastused võivad süveneda. Seadme kasutamisel pika aja jooksul tuleb teha korralisi vaheaegasid.

ÕPPIGE OMA TOODET TUNDMA

Vt leht 196.

1. Käivituslüli
2. Stopplüli
3. Tagasi lüli
4. Ülekoormuse kaitseseadme
taaskäivitusnupp
5. Väljalaskerenn
6. Käepide
7. Lõikeplaadi reguleernupp
8. Ratas
9. Kogumiskast
10. Ohutuslüli
11. Ummistatud materjali eemaldaja

MÄRKUS. Ohutuslüli ülestõmbamine pärast kogumiskasti tootesse paigaldamist aktiveerib ohutuslüli.

PURUSTAMISE JUHIS

Tõhusaks purustamiseks järgige allolevas tabelis esitatud nõuandeid.

MATERJAL	PURUSTAMISVIIS
Kuni 6 mm läbimõõduga oksaraod.	Andke materjali ette sellise kiirusega, mille puhul purusti on võimeline töötama ilma ülekoormuseta.
Kuni 45 mm läbimõõduga oksad.	Enne oksa sisestamist etteandekambrisse lõigake ära kõrvalharud.
Ilutaimed, umbrohi ja pöösaste võsud	Lõiketerade vigastamise vältimiseks puhastage juured mullast ja kividest.

Kuivad oksaraod ja oksad

Nende sisestamise purustamise lõpetamisel aitab purusti sisemusest ja lõikepealt eemaldada niiskuse ja aiaprahi.

- Ärge laske aiajäätmetel enne purustamist seista, sest siis hakkavad need lagunema, muutuvad niiskeks ja ummistavad lõikamise sõlme. Väljalaskerenni saab puhastada kuiva materjali abil. Purustamise lõpus pange purustajasse mõned kuivad puutikud, et lõikamissõlme pinnad puhastada.
- Jälgige regulaarselt purustatud materjali kuhjumist/kogunemist.
- Väljalaskerenni väljundava peab kogu aeg olema vaba, et ummistumist vältida.
- Enne kogumiskasti tühjendamist lülitage toode välja.

▲ HOIATUS

Ärge pange käsi purustaja väljalaskevasse, et eemaldada peenestatud materjali, kui toode on sisse lülitatud või vooluvõrku ühendatud. Lõiketerad on teravad. Kandke tugevdatud kindaid ja olge äärmiselt ettevaatlik puhastamisel ja ummistuste kõrvaldamisel.

▲ HOIATUS

Kui annate seadmele ette pikki oksa/varsid, olge ettevaatlik, sest need võivad pekselda ja väriseda, kui neid lõikuri poolt haaratakse. Operaator peab kandma selle seadme kasutamise ajal silmakaitsevahendeid.

▲ HOIATUS

Lõikamissõlm püüab tõmmata oksa/tüvesid seadme sisse. Ärge püüdke materjali sisenemist takistada pärast seda kui etteanne on alanud. Kandke alati kindaid, et kaitsta end nahavigastuste eest materjali seadmesse sisse söötmise ajal.

MÄRKUS. Toodet kasutamiseks seades veenduge, et toode on kinnitatud ja ei kuku ümber (vt lk 197, samm 2 - 6).

MÄRKUS. Tavakasutamisel ärge lülitage toodet välja enne, kui purustamisterad on

kogu peenestatud materjalist puhtad. Kui toode liiga kiiresti välja lülitada, võivad materjalijäägid purustamisterad ummistada ja toote taaskäivitamisel mootori seisata.

MASINAL OLEVAD SÜMBOLID



Enne seadmega töö alustamist lugege kõik juhised hoolikalt läbi ja pidage kinni hoiatustest ja ohutusega seotud juhistest.



Hoiduge ülespaisatud ja lendavate esemete eest. Hoidke kõik kõrvalseisjad, eriti lapsed ja lemmikloomad tööalalt vähemalt 15 meetri kaugusele.



Oht - Pöörlevad lõiketerad. Kui seade töötab, siis hoidke oma käed ja jalad avast eemale.



Lülitage välja ja eemaldage pistik vooluvõrgust enne hooldustöid või kui juhe on kahjustatud.



Kandke kaitseprille ja kõrvaklappe.



Ärge kasutage seadet astmena.



Enne seadme osade puudutamist oodake kuni need on täielikult seiskunud.



Kandke libisemiskindlaid, tugevdatud kaitsekindlaid.



Vastab kõigile eeskirjadele EL-i liikmesriigis, kus toode on ostetud.



Euraasia vastavusmärk



Ukraina vastavusmärgis



Garanteeritud helivõimsuse tase on 102 dB



Klass II: Tööriist on kaitstud elektrilöögi vastu topeltisolatsiooniga või tugevdatud isolatsiooniga.



Mittekasutatavaid elektritooteid ei tohi visata olmejäätmete hulka. Vaid tuleb viia vastavasse kogumispunkti. Vajadusel küsige sellekohast nõu oma edasimüüjalt või vastavalt kohaliku omavalitsuse institutsioonilt.



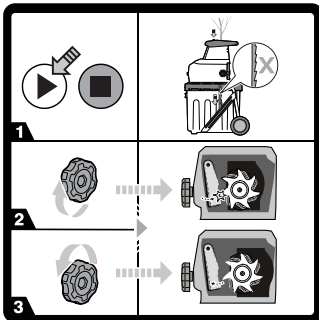
Käivitamine



Stop



Tagasi



Kui purusti ei suuda materjali purustada, siis võib lõikeplaat vajada reguleerimist.

1. Lülitage masina toide sisse.
2. Keerake vastulaba reguleerimisnuppu päripäeva, kuni kuulete metalset häält või näete kogumiskasti põhjas peeneid alumiiniumilaaste.
3. 30 sekundi pärast keerake nuppu vastupäeva, kuni vastulaba ja lõikuri vahe on 1 mm.

KASUTUSJUHENDI SÜMBOLID



Ühendage pistikupesasse



Võtke pistikupesast välja



Eraldi ostetavad osad või tarvikud



Märkus



Hoiatus



Lukk



Lahtikeeramine



Hoidke käed lõiketeradest eemal.

Järgnevad märguandesõnad ja tähendused on mõeldud selle toote kasutamisega seotud riskitasemete kirjeldamiseks.

⚠ OHT.

Viitab kohe tekkivale ohtlikule situatsioonile, mis, kui ei väldita, lõpeb surma või tõsise vigastusega.

⚠ HOIATUS

Viitab võimalikule ohtlikule situatsioonile, mis, kui ei väldita, võib lõppeda surma või tõsise vigastusega.

⚠ ETTEVAATUST

Viitab võimalikule ohtlikule situatsioonile, mis, kui ei väldita, võib lõppeda väiksemate või keskmiste vigastusega.

ETTEVAATUST

Ilma hoiatussümbolita

Osutab olukorrale, mis võib põhjustada varakahju.

RIKKEOTSING

PROBLEEM	PÕHJUS	TEGEVUS
Mootor ei tööta.	Ülekoormuse kaitseseade on käivitunud.	Oodake kuni mootor maha jahtub, vajutage ülekoormuse kaitseseadme taaskäivitusnuppu. Lülitage toode uuesti sisse.
	Toitepinge katkestus	Kontrollige toitekaablit, pistikut ja maja kaitsmeid.
	Kogumiskast ei ole tootesse paigaldatud ja/ või ohutuslülitid ei ole aktiveeritud.	Paigaldage kogumiskast ja seejärel tõmmake ohutuslülitid üles, et see aktiveerida.
Purustatavat materjali ei tõmmata sisse.	Materjal on sisestuslehtrisse kinni jäänud.	Järgige selles kasutusjuhendis esitatud juhiseid ummistumise kõrvaldamise kohta.
	Lõikeplaat on lõiketerast liiga kaugel.	Järgige selles kasutusjuhendis esitatud juhiseid lõiketera reguleerimise kohta.

U razvoju ove tihe električne rezačice dati su maksimalni prioriteta sigurnosti, performansama i pouzdanosti.

NAMJENA

Tihi električni usitnjavač materijala namijenjen je vanjskoj uporabi na stacionarnoj lokaciji od strane operatera koji stoji na tlu.

Proizvod je osmišljen za smanjivanje organskih vrtnih otpadnih materijala, kao što su to grane, grančice i lišće.

Proizvod nije namijenjen za neorganske materijala, meta ili materijal koji premašuje njegov maksimalni rezni kapacitet promjera od 45 mm.

Proizvod se mora montirati na dostavljeni stalak i mora se koristiti s dostavljenom kantom za sakupljanje. Ne smije se ugraditi na drugačiji način osim kao što je prikazan u ovom priručniku.

Nemojte koristiti oštricu u nikakvu drugu svrhu.

OPĆA SIGURNOSNA PRAVILA

⚠ UPOZORENJE

Ovaj proizvod nije namijenjen za korištenje od strane djece ili osoba sa smanjenim fizičkim, psihičkim ili mentalnim mogućnostima. Djecu je potrebno da netko drugi nadzire cijelo vrijeme, kako bi se osiguralo da se ne igraju pored ili s proizvodom.

⚠ UPOZORENJE

Kako biste smanjili opasnost od požara, strujnog udara i osobnih ozljeda prilikom korištenja proizvoda, pridržavajte se osnovnih mjera opreza. Pažljivo pročitajte sve ove sigurnosne upute prije rada s proizvodom. Upoznajte se s upravljačkim elementima i pravilnoj te sigurnoj uporabi proizvoda. Molimo vas da čuvate ove upute radi kasnijeg korištenja.

OBUKA

- Upoznajte se s korisničkim vodičem prije nego što pokušate pokrenuti proizvod.
- Nikada nemojte dopustiti korištenje proizvoda djeci ili osobama koje nisu upoznale s uputama. Moguće je da lokalni

propisi propisuju starosnu dob rukovatelja.

- Rukovatelj ili korisnik proizvoda odgovoran je za nezgode ili opasnosti koje se događaju drugim ljudima ili njihovoj imovini.

PRIPREMA

- Proizvod ne upotrebljavajte u blizini nazočnih osoba, a naročito ne u blizini djece i kućnih ljubimaca.
- Proizvod nikada ne koristite tijekom nevremena ili ako postoji opasnost od munja.
- Nosite zaštitu za sluh i zaštitne naočale cijelo vrijeme dok radite s uređajem.
- Tijekom rada s ovim proizvodom uvijek nosite dobru (protukliznu) obuću i duge hlače. Izbjegavajte nositi odjeću koja je labava ili s nje visi konop ili kravata. Ne radite s proizvodom ako ste bos ili ako nosite otvorene sandale.
- S proizvodom radite na otvorenom (tj. ne blizu zida ili čvrstog objekta) i na tvrdoj, ravnoj površini.
- Nemojte raditi s uređajem na popločanim ili šljunčanim površinama gdje odbačeni materijal može uzrokovati ozljedu.
- Prije pokretanja proizvoda provjerite jesu li svi vijci, matice, svornjaci i ostali zatezači pravilno pričvršćeni i jesu li štitnici i kanta za sakupljanje na svojem mjestu. Za zamjenu oštećenih ili nečitljivih naljepnica vratite ih u ovlaštenu servisnu centar.
- Prije korištenja provjerite kabele za napajanje i produžne kabele na znakove oštećenja i dotrajalosti. Ako se kabel ošteti tijekom korištenja, odmah ga odspojite iz napajanja. Nemojte dodirivati kabel prije nego ga isključite iz napajanja. Nemojte koristiti uređaj ako je kabel oštećen ili istrošen.

ELEKTRIČNA SIGURNOST

- Prije priključivanja proizvoda na glavno napajanje temeljito pročitajte ove sigurnosne upute.
- Prije uključivanja uređaja, uvjerite se da je napon vašeg električnog napajanja isti kao i onaj naveden na nazivnoj pločici. Proizvođač preporučuje da se priključite na električnu utičnicu zaštićenu RCD sklopkom s okidnom strujom čija jakost nije veća od 30 mA.



- Priključivanje na bilo koji drugi izvor napajanja može izazvati oštećenje.
- Ako je kabel za napajanje oštećen mora ga zamijeniti proizvođač, njegov servisni agent ili slična kvalificirana osoba kako bi se izbjegla opasnost.
- Ako trebate koristiti produžni kabel, osigurajte da je prikladan za korištenje na otvorenom i da ima dovoljan kapacitet za napajanje alata. Produžni kabel treba imati oznaku „H05 RN-F“ ili „H05 VV-F“. Provjerite prije svakog korištenja na oštećenje, uvijek odmotajte tijekom korištenja jer se namotani kabel može pregrijati. Oštećene produžne kabele ne treba popravljati, treba ih zamijeniti s odgovarajućim tipom.
- Produžni kabel držite podalje od opasnih dijelova kako biste izbjegli oštećenja kabela, koja mogu dovesti do doticaja s dijelovima pod naponom.
- Ako rezni mehanizam udari u neki strani predmet ili ako proizvod počne proizvoditi neuobičajenu buku ili vibracije, isključite proizvod i pustite da se rezači u potpunosti zaustave. Odspojite proizvod iz napajanja i poduzmite sljedeće korake:
 - provjerite ima li oštećenja
 - provjerite ima li i pritegnite sve labave dijelove
 - oštećene dijelove zamijeniti ili popravite s originalnim RYOBI rezervnim dijelovima
- Nemojte dopustiti taloženje materijala u zoni ispuhivanja, ovo može spriječiti pravilno pražnjenje ili blokadu, te može dovesti do povratnog udara materijala preko otvora za usis.
- Ako se proizvod začepi, isključite ga i pustite da se rezači potpuno zaustave. Odspojite proizvod iz napajanja prije čišćenja ostataka.
- Nikada ne radite s proizvodom ako su štitnici, poklopci, kanta za sakupljanje ili drugi sigurnosni uređaji neispravni, ako nisu na svom mjestu i nisu u dobrom radnom stanju.
- Ako tijekom postupka usitnjavanja nastaje prašima, odjenite prikladnu masku kako biste spriječili respiratorne povrede.
- Nemojte pomicati ili transportirati proizvod dok je motor pokrenut.
- Isključite proizvod i odspojite ga iz napajanja. Provjerite da su svi pokretni dijelovi zaustavljeni:
 - prije ostavljanja proizvoda bez nadzora
 - prije uklanjanja blokade
 - prije provjere, čišćenja ili održavanja proizvoda.
- Nemojte naginjati proizvod dok je motor pokrenut.
- Nikada ne mijenjajte dijelove proizvoda niti ne koristite dijelove koje ne preporučuje tvrtka RYOBI, to može povećati opasnost od teškog ozljeđivanja vas ili drugih osoba.
- Osigurajte da su otvori za ventilaciju bez ostataka; u suprotnom, motor se može pregrijati što može rezultirati u mogućem oštećenju proizvoda ili povećanju opasnosti od požara.
- U slučaju nezgode ili slamanja odmah isključite proizvod i odvojite ga od

SIGURNOSNA UPOZORENJA ZA USITNJIVAČ

POSTAVLJANJE

- Prilikom pripremanja proizvoda za korištenje, uvjerite se da je proizvod pričvršćen tako da se ne može prevrnuti. *Pogledajte stranicu 197.*

UPORABA

- Prije pokretanja uređaja pogledajte u usisnu komoru kako biste bili sigurni da je prazna.
- Držite lice i tijelo dalje od otvora za usis.
- Nemojte postavljati ruke ili neki drugi dio tijela ili odjeće unutar usisne komore, trake za pražnjenje ili bilo kojeg drugog pokretnog dijela.
- Uvijek imajte čvrsto uporište. Cijelo vrijeme držite pravilno uporište i ravnotežu. Ne sežite preko određene granice. Nikada ne stojte na višoj razini od temelja uređaja kad ubacujete materijal u njega. Budite oprezni kada proizvod koristite na nagibima. Hodajte, nemojte trčati.
- Prilikom rada s proizvodom, uvijek se udaljite od zone pražnjenja.
- Kad umećete materijal u uređaj posebice pazite da komadi metala, kamenja, boca, konzervi ili drugi strani predmeti nisu uključeni.



napajanja. Proizvodom nemojte ponovno rukovati sve dok ga potpuno ne provjeri ovlaštenu servisni centar.

- Isključite proizvod prije priključivanja ili skidanja kante za sakupljanje.

⚠ UPOZORENJE

Povrede mogu biti uzrokovane ili zadobivene produljenim korištenjem alata. Kada koristite bilo koji alat dulje vremena, osigurajte da uzimate povremene stanke.

PRIJEVOZ I SKLADIŠTENJE

- Provjerite je li proizvod temeljito očišćen prije nego ga spremite na čisto, suho mjesto izvan dohvata djece.
- Omogućite proizvodu da se ohladi prije spremanja ili transporta.
- Za prijevoz, osigurajte uređaj protiv pomicanja ili pada kako biste spriječili povrede osoba ili oštećenja na uređaju.

ODRŽAVANJE

Isključite proizvod, pustite da se rezači u potpunosti zaustave te odspojite proizvod s izvora napajanja prije čišćenja, pregleda ili servisiranja proizvoda. Nakon određenog vremena rezanja, mehanizam za rezanje postaje vruć. Omogućite da se ohladi prije čišćenja, provjere ili podešavanja.

⚠ UPOZORENJE

Rezne oštrice iznimno su oštre. Kako biste izbjegli ozljeđivanje, budite krajnje oprezni i pažljivi prilikom čišćenja noževa ili rada blizu njih ili unutar otvorenog kućišta ako je kanta za sakupljanje uklonjena. Uvijek nosite zaštitne rukavice velike debljine.

- Imajte na umu da se rezni mehanizam može pomicati kad je napajanje isključeno ili ako je unutarnja brava uključena.
- Za osiguranje najbolje učinkovitosti proizvoda, morate ga održavati čistim.
- Uvijek očistite proizvod odmah nakon korištenja. Gdje je got moguće koristite čeličnu četku unutar uvodnika i trake za pražnjenje, te suhu krpu za vanjsku stranu rezačice.

- Nemojte dozvoliti da materijal postane suh i tvrd na bilo kojoj od površina proizvoda, a naročito ne na noževima. Ovo izravno utječe na učinkovitost rezanja.
- Provjerite jesu li lijevak i izlazna traka čisti i održavajte ih čistim od otpadnih materijala.
- Provjerite jesu li sve matice, svornjaci i vijci (osim vijka za podešavanje) pritegnuti i sigurni.
- Uvijek popravite sve oštećene ili istrošene dijelove ili neka ih zamijeni kvalificirano osoblje u ovlaštenom Ryobi servisnom centru.
- Nikada ne nastojte zaobilaziti zabravne prekidače na kanti za sakupljanje ili na prednjem poklopcu sklopa rezača.

⚠ UPOZORENJE

Nikada ne dopustite kontakt plastičnih dijelova s tekućinom za kočnice, benzinom, proizvodima na bazi petroleja, sredstvima za odmašćivanje, idr. Nikada ne koristite tekućine za kočnice, benzin, proizvode na bazi benzina ili neka druga otapala za čišćenje uređaja. Većina plastičnih dijelova osjetljiva je na oštećenje različitim vrstama komercijalnih vrsta otapala i mogu se odšteti njihovom uporabom.

- Možete izvesti zadatke održavanja opisane u ovom priručniku. Za sve ostale popravke i savjete potražite pomoć ovlaštenog RYOBI servisnog centra.

PODEŠAVANJE PLOČE ZA REZANJE

- Proizvod najbolje radi na sljedeći način. Prije korištenja, uvijek provjerite da oštrice nisu u dodiru s pločom za rezanje. Za optimalan rad, održavajte razmak od 1 mm između oštrica i ploče za rezanje.
- Ako proizvod ne izreže materijal, ploču za rezanje možda treba podesiti ili oštrice treba naoštiti.
- Tijekom vremena oštrice proizvoda trebaju podešenje. Ovo se može izvršiti podešavanjem ploče za rezanja kako bi bila u laganom kontaktu s oštricama.

Uvjerite se da je proizvod uključen i da radi u normalnom smjeru prema naprijed. Namještanje ploče za šišanje dok je motor isključen može dovesti do ozbiljnog oštećenja na proizvodu.

NAPOMENA: Podešavanje ploče za rezanje treba jedino poduzimati kad je to potrebno. Prečesto ili predaleko namještanje ploče za šišanje može prouzročiti prestanak rada proizvoda.

- Dok proizvod radi, okrenite gumb za namještanje u smjeru kazaljki na satu.
- Kada čujete da metal dodiruje metal ili primjetite finu strugotinu aluminija na donjem dijelu spremnika za prikupljanje, zaustavite podešavanje i omogućite proizvodu da se pokreće 30 sekunda za oštrenje oštrica. Nakon što oštrenje završi, okrećite gumb za namještanje u smjeru suprotnom od okretanja kazaljki na satu sve dok više ne bude postojao kontakt s pločom za šišanje, ostavivši zazor od 1 mm.

NAPOMENA: Oštrenje oštrica zahtjeva vrlo lagani kontakt s pločom za rezanje. Lagano završite svako podešenje kako biste izbjegli oštećenje proizvoda. Prekomjerno podešenje ploče može uzrokovati ozbiljno oštećenje proizvoda.

OSTALE OPASNOSTI:

Čak i kad je proizvod korišten kao što je prethodno opisano, još uvijek nije moguće potpuno isključiti ostale čimbenike opasnosti. Može doći do sljedećih opasnosti tijekom korištenja i operater mora obratiti posebnu pozornost kako bi izbjegao sljedeće:

- Ozljeđe uzrokovane bukom
 - Nosite zaštitu za sluh i ograničite izloženost
- Ozljeđe uzrokovane udisanjem prašine ili čestica
 - Kada je to potrebno, nosite zaštitnu masku s filtrom.
- Ozljeđe uzrokovane kontaktom s oštricama
 - Cijelo vrijeme držite nezaštićene dijelove tijela dalje od mehanizma za

rezanje.

SMANJENJE OPASNOSTI

Prijavljeno je da vibracije alata koje se drži u ruci kod određenih pojedinaca mogu doprinijeti stanju pod nazivom Raynaud's Syndrome. Simptomi mogu uključivati trnce, ukočenost i bjelinu prstiju, obično uočljivo po izlaganju hladnoći. Smatra se da nasljedne osobine, izlaganje hladnoći i vlazi, dijeta, pušenje i radni postupci pridonose razvoju ovih simptoma. Postoje mjere koje operator može poduzeti kako bi smanjio moguće učinke vibracije:

- Održavajte svoje tijelo toplim u hladnim vremenskim uvjetima. Kad radite s proizvodom nosite rukavice kako biste ruke i zglobove održavali toplima. Prijavljeno je da je hladnoća glavni čimbenik koji doprinosi Raynaud's Syndrome.
- Nakon svakog perioda rada vježbajte kako biste povećali cirkulaciju krvi.
- Uzimajte česte stanke u radu. Ograničite količinu izlaganja po danu.

Ako osjetite neke od simptoma ovog stanja, odmah prekinite korištenje i obratite se svome liječniku vezano uz ove simptome.

⚠ UPOZORENJE

Povrede mogu biti uzrokovane ili zadobivene produljenim korištenjem alata. Kada koristite bilo koji alat dulje vremena, osigurajte da uzimate povremene stanke.

UPOZNAJTE SVOJ PROIZVOD

Pogledajte stranicu 196.

1. Prekidač za pokretanje
2. Prekidač za zaustavljanje
3. Prekidač za kretanje unatrag
4. Gumb za resetiranje uređaja za zaštitu od preopterećenja
5. Lijevak
6. Ručka
7. Gumb za podešavanje ploče za rezanje
8. Kotač
9. Kanta za sakupljanje
10. Sigurnosni prekidač

11. Odčepljivo materijala

NAPOMENA: Povlačenje sigurnosnog prekidača prema gore nakon umetanja kante za sakupljanje u proizvod, aktivira sigurnosni prekidač.

SMJERNICE ZA REZANJE

Za najbolje rezultate rezanja, slijedite smjernice prikazane u tablici u nastavku.

MATERIJAL	NAČINI REZANJA
Grančice promjera do 6 mm.	Umećite u lijevak pri brzini koju rezačica može prihvatiti bez preopterećenja.
Grane promjera do 45 mm.	Izrežite sve izrasline s jakim oreznim škarama prije umetanja u lijevak.
Savijeno bilje, korov i gromoliko raslinje	Maknite tvrdu zemlju i kamenje s bila kako biste izbjegli oštećenje oštrice.
Osušite štapove i šibe	Umetanjem ovog na kraju posla usitnjavanja, pomoći će u čišćenju vlage i biljnog soka s unutrašnjosti proizvoda i sklopa za rezanje.

- Nemojte dopustiti da se nagomila vrtni otpad preje nego ga izrežete jer će postati kompost, postati prevlažan i sačepljivati sklop za rezanje. Suhi materijal pomaže većini materijala da iziđe iz rezačice. Spremite neke suhe štapove do kraja kako bi vam pomogli očistiti područje oštrice.
- Često nadzirite naslage/prikupljenja izrezanog materijala.
- Izlaz trake za pražnjenje mora biti čist, kako bi se spriječilo začepljenje.
- Kada je kanta za sakupljanje puna, isključite proizvod prije nego što je ispraznite.

⚠ UPOZORENJE

Ne stavljajte ruke u žlijeb za pražnjenje na usitnjivaču kako biste raščistili usitnjeni materijal dok je proizvod uključen ili spojen na mrežu električnog napajanja. Noževi su oštri. Nosite zaštitne rukavice i budite posebice pažljivi kad čistite ili odčepljujete začepljenja.

⚠ UPOZORENJE

Kada umećete dugačke grane/stabiljke u proizvod pazite se poskakivanja i vibracija kako ih zahvaća nož. Operater mora nositi zaštitu za oči kad got koristi proizvod.

⚠ UPOZORENJE

Uređaj za rezanje ima tendenciju povlačenja grana/stabiljki u proizvod. Nemojte pokušavati spriječiti ulaz materijala koji se počeo rezati. Uvijek nosite rukavice kako biste spriječili povrede kože kada ubacujete materijal u proizvod.

NAPOMENA: Prilikom pripremanja proizvoda za korištenje, uvjerite se da je proizvod pričvršćen tako da se ne može prevrnuti (vidi stranu 197, korak 2 - 6).

NAPOMENA: Tijekom normalnog korištenja ne isključujte proizvod sve dok se usitnjeni materijal ne očisti iz sklopa rezača. Ako se proizvod isključi prebrzo, preostali komadi materijala mogu zagušiti sklop noža i izazvati zatajenje motora nakon ponovnog uključivanja proizvoda.

SIMBOLI NA PROIZVODU



Pročitajte i razumite sve upute prije rada s proizvodom, slijedite sva upozorenja i sigurnosne upute.



Čuvajte se odbačenih ili letećih predmeta. Držite sve promatrače naročito djecu i kućne ljubimce, na udaljenosti najmanje 15 m od radnog područja.



Opasnost - oštrice se okreću. Držite ruke i stopala izvan otvora dok uređaj radi.



Isključite proizvod i izvucite utikač iz utičnice električne mreže prije održavanja ili ako je priključni kabel oštećen.



Nosite sredstva za zaštitu vida i sluha.



Nemojte koristiti kao stepenicu.



Pričekajte da se sve komponente uređaja potpuno zaustave prije nego što ih dodirujete.



Nosite zaštitne rukavice velike debljine koje se ne klizu.



Ovaj alat usklađen je sa svim normama i propisima zemlje Europske unije u kojoj je kupljen.



EurAsian znak konformnosti



Ukrajinska oznaka za sukladnost



Jamčena razina zvučne snage 102 dB.



Klasa II: Zaštita od strujnog udara oslanja se na duplu izolaciju ili armiranu izolaciju.



Otpadni električni proizvodi ne treba da se odlažu s otpadom iz domaćinstva. Molimo da reciklirate gdje je to moguće. Potražite savjet od lokalnih vlasti ili prodavca kako reciklirati.



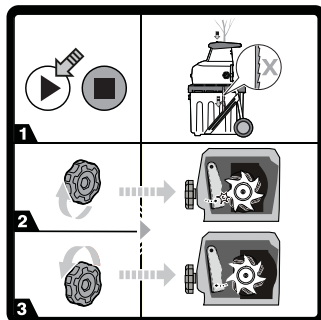
Pokretanje



Stop



Nazad



Ako proizvod ne izreže materijal, ploču za rezanje možda treba podesiti.

1. Uključite uređaj.
2. Okrećite gumb za namještanje ploče za šišanje u smjeru okretanja kazaljki na satu sve dok ne začujete kontakt metala i metala ili dok ne ugledate finu aluminijsku strugotinu u spremniku za sakupljanje.
3. Nakon 30 sekundi, okrenite gumb u smjeru suprotnom od okretanja kazaljki na satu, sve dok ploča za šišanje ne bude 1 mm udaljena od noževa.

SIMBOLI U OVOM PRIRUČNIKU



Priključite u utičnicu za napajanje



Isključite iz utičnice za napajanje



Dijelovi ili pribor prodan odvojeno



Napomena



Upozorenje



Brava



Otključavanje



Držite ruke dalje od oštrica.

Slijedeće riječi upozorenja i značenja imaju namjeru da objasne nivo rizika u vezi s ovim proizvodom.

⚠ OPASNOST

Ukazuje na neposrednu opasnu situaciju, koja, ukoliko se ne izbjegne, može rezultirati smrću ili opasnim povredama

⚠ UPOZORENJE

Ukazuje na moguću opasnu situaciju, koja, ukoliko se ne izbjegne, može rezultirati smrću ili opasnim povredama

⚠ UPOZORENJE

Ukazuje na moguću opasnu situaciju, koja, ukoliko se ne izbjegne, može rezultirati manjim ili blažim povredama

UPOZORENJE

Bez sigurnosnog simbola upozorenja

Naznačuje situaciju koja može rezultirati oštećenjem imovine.

EN
FR
DE
ES
IT
NL
DA
SV
FI
NO
RU
PL
CS
HU
RO
LV
LT
ET
HR
SL
SK
BG
UK
TR

OTKLANJANJE SMETNJI

PROBLEM	UZROK	RADNJA
Motor ne radi.	Uređaj za zaštitu od preopterećenja je radio.	Pričekajte da se motor ohladi, pritisnite gumb za resetiranje uređaja za zaštitu od preopterećenja. Ponovno uključite proizvod.
	Kvar napajanja	Provjerite kabel električnog napajanja, utikač i osigurač u kućanstvu.
	Kanta za sakupljanje nije umetnuta u proizvod i/ili sigurnosni prekidač nije aktiviran.	Umetnite kantu za sakupljanje, a zatim povucite prema gore sigurnosni prekidač kako biste ga aktivirali.
Materijal koje se usitjava nije uvučen.	Materijal je zaglavio u dovodnom lijevku.	Slijedite upute u ovom priručniku za čišćenje zapreka.
	Ploča za reaznje je predaleko od rezača.	Slijedite upute u ovom priručniku za podešavanje ploče za rezanje.

Pri oblikovanju električnega tihega drobilnika smo veliko pozornosti posvetili varnosti, učinkovitosti delovanja in zanesljivosti.

NAMEN UPORABE

Električni tihi drobilnik je namenjen uporabi na prostem v mirujočem položaju; oseba, ki ga upravlja, pa mora stati na tleh.

Izdelek je zasnovan za zmanjševanje količine organskih odpadkov z vrta, kot so veje, vejice in listje.

Izdelek ni namenjen za neorganske materiale, kovino ali materiale, ki presegajo maksimalno zmogljivost rezanja (tj. 45 mm premera).

Izdelek mora biti nameščen na priloženi podstavek, uporabljati pa se mora s priloženo zbiralno posodo. Dovoljena ni nobena drugačna montaža kot tista, ki je opisana v tem priročniku.

Za druge namene ga ne uporabljajte.

SPLOŠNA VARNOSTNA PRAVILA

⚠ OPOZORILO

Izdelek ni namenjen za uporabo s strani otrok ali oseb z zmanjšanimi fizičnimi, duševnimi ali senzoričnimi zmožnostmi. Otroke naj oseba, ki ni upravljaavec, ves čas nadzira in tako zagotovi, da se ne bodo igrali v bližini izdelka.

⚠ OPOZORILO

Pri uporabi izdelka je treba upoštevati osnovna varnostna navodila, da zmanjšate tveganje požara, električnega udara ali osebnih poškodb. Pred prvo uporabo pazno preberite vsa varnostna navodila. Dobro morate biti seznanjeni s krnilniki in primerno ter varno uporabo izdelka. Prosimo, shranite ta navodila za kasnejšo rabo.

URJENJE

- Pred prvo uporabo izdelka preberite uporabniški priročnik.
- Nikoli ne pustite, da bi izdelek uporabljali otroci ali osebe, ki niso seznanjene s temi navodili za uporabo. Lokalni predpisi se morda nanašajo tudi na minimalno starost upravitelja.

- Operater ali uporabnik izdelka je odgovoren za nesreče ali nevarnosti, povzročene drugim osebam ali njihovi lastnini.

PRIPRAVA

- Izdelka nikoli ne uporabljajte v bližini opazovalcev, predvsem otrok in živali.
- Izdelka nikoli ne uporabljajte v slabem vremenu ali če obstaja nevarnost udara strele.
- Med delom z napravo vedno nosite zaščito za ušesa in zaščitna očala.
- Med uporabo izdelka vedno nosite močno (nedrsečo) obutev in dolge hlače. Ne nosite oblačil, ki so ohlapna ali z njih visijo trakovi. Izdelka ne uporabljajte bosi ali če imate obute odprte sandale.
- Izdelek uporabljajte izključno na odprtem kraju (tj. ne v bližini stene ali nepremičnega predmeta) in na trdni, ravni površini.
- Naprave ne uporabljajte na tlakovani ali peščenih podlagi, kjer bi lahko naokoli leteč material povzročil poškodbe.
- Pred zagonom izdelka preverite, ali so vsi vijaki, matice, zapahi in drugi pritrdilni elementi ustrezno pritrjeni in ali so nameščeni ščitniki ter zbiralna posoda. Poškodovane ali nečitljive nalepke naj zamenjajo v pooblaščenem servisnem centru.
- Pred uporabo preverite napajalni kabel ali podaljšek glede poškodb ali staranja. Če se kabel med uporabo poškoduje, ga takoj odklopite iz električne vtičnice. Dokler kabela ne odklopite iz napajanja, se ga ne dotikajte. Če opazite, da je napajalni kabel poškodovan ali obrabljen, naprave ne uporabljajte.

ELEKTRIČNA VARNOST

- Pozorno preberite ta varnostna navodila, preden izdelek priključite v električno napajanje.
- Pred vklopom izdelka se prepričajte, da se napetost vašega električnega omrežja ujema z napetostjo, navedeno na podatkovni ploščici. Proizvajalec priporoča, da izdelek vklopite v napajalno vtičnico, zaščiteno z napravo RCD z največjim sprožilnim tokom 30 mA.
- Če jo priključite v drug vir napajanja, se lahko poškoduje.



- Če je napajalni kabel poškodovan, ga mora zamenjati proizvajalec, pooblaščen tehnik ali drugo usposobljeno osebo, da ne pride do nevarnosti.
- Če morate uporabiti električni podaljšek, zagotovite, da je primeren za zunanjo uporabo in je zadostno zmogljiv za napajanje vašega orodja. Električni podaljšek mora biti označen z oznako »H05 RN-F« ali »H05 VV-F«. Pred vsako uporabo preverite morebitno prisotnost poškodb, kabel za uporabo vedno odvijte, saj se lahko zviti kabli pregrejejo. Poškodovane podaljševalne kable ne smete popravljati, temveč jih zamenjajte s kablom enakovredne vrste.
- Podaljškov ne približujte premikajočim se nevarnim delom, da preprečite poškodbe kablov, ki bi lahko povzročile stik z deli pod napetostjo.

VARNOSTNA NAVODILA ZA DROBILNIK

MONTAŽA

- Med pripravljanjem izdelka za uporabo poskrbite, da je izdelek dobro pritrjen, da se ne prevrne. *Glejte stran 197.*

DELOVANJE

- Preden stroj zaženete, preverite, ali je dovajalna komora prazna.
- Obraz in telo držite proč od dovodne odprtine.
- Ne dovolite, da bi roke ali kateri koli drug del telesa ali oblačil zašel v dovajalno komoro, izmetalni žleb ali druge gibljive dele.
- Vedno stojite trdno. Pazite, da stojite stabilno in da imate ravnotežje. Nesiahajte preliš daleko. Nikoli ne stojte na višjem nivoju od osnove naprave, kadar vanjo vstavljate material. Pri uporabi izdelka na klancini bodite previdni. Vedno hodite, nikoli ne tecite.
- Med uporabo izdelka se ne približujte odvajalnemu območju.
- Kadar material vstavljate v stroj, boste izredno pozorni, da ne boste zraven zajeli še koščkov kovine, kamenja, steklenic, konzerv ali drugega tujega materiala.
- Če rezilo udari ob kakršen koli tuj predmet ali če izdelek začne oddajati nenavadne zvoke ali tresljaje, izdelek izklopite in počakajte, da se rezila povsem zaustavijo.

Izdelek izključite iz napajanja in naredite naslednje:

- preglejte za primer poškodb;
- preverite, ali so kateri koli deli zrahljani in jih privijte;
- poškodovane dele popravite ali jih zamenjajte z originalnimi nadomestnimi deli RYOBI.
- Obdelan material se ne sme nabirati v izmetalnem žlebu, saj to preprečuje ustrezno praznjenje ali povzroči blokado in material lahko vrže nazaj skozi dovodno odprtino.
- Če se izdelek zamaši, ga izklopite in počakajte, da se rezila povsem zaustavijo. Izdelek izključite iz napajanja, preden odstranite ostanke.
- Nikoli ne uporabljajte izdelka, če so ščitniki, pokrovi, zbiralna posoda ali druge varnostne naprave pokvarjene, niso nameščene ali ne delujejo ustrezno.
- Če se med drobljenjem ustvarja prah, nosite ustrezno zaščitno masko, da preprečite poškodbe dihal.
- Če motor obratuje, izdelka ne premikajte ali ga ne prenašajte na drugo mesto.
- Izdelek izklopite in izključite z napajanja. Prepričajte se, da so se vsi premikajoči se deli popolnoma zaustavili:
 - preden zapustite napravo
 - preden odstranite zamašek
 - pred pregledom, čiščenjem ali vzdrževanjem izdelka.
- Izdelka ne nagibajte, ko motor teče.
- Nikoli ne spreminjajte delov izdelka in ne uporabljajte delov, ki jih RYOBI ne priporoča, ker se lahko s tem poveča nevarnost hude telesne poškodbe vas ali drugih.
- Zagotovite, da so prezračevalne odprtine čiste, brez ostankov, drugače se lahko motor pregreje in tako lahko poškoduje izdelek oziroma poveča tveganje za požar.
- Ob nesreči ali okvari izdelek takoj izklopite in odstranite kabel iz napajalne vtičnice. Kosilnice ne uporabljajte, dokler je v celoti ne pregledajo na pooblaščenem servisu.
- Pred nameščanjem ali odstranjevanjem zbiralne posode izdelek izklopite.



⚠ OPOZORILO

Daljša uporaba orodja lahko privede do poškodb ali pa so poškodbe lahko hujše. Kadar orodje uporabljate dalj časa, si večkrat vzemite odmor.

TRANSPORT IN SHRANJEVANJE

- Izdelek mora biti pred shranjevanjem temeljito očiščen, shranite ga pa na suho mesto zunaj dosega otrok.
- Izdelek naj se dobro ohladi, preden ga shranite ali transportirate.
- Za transport zavarujte izdelek pred premiki ali padci, da preprečite poškodbe oseb ali izdelka.

VZDRŽEVANJE

Pred čiščenjem, pregledom ali servisiranjem izdelka ga izklopite in počakajte, da se rezila povsem zaustavijo, nato pa odstranite kabel iz napajalne vtičnice. Po določenem času drobljenja postane sistem rezil vroč. Pustite, naj se dobro ohladi, preden jo začnete čistiti, pregledovati ali nastavljati.

⚠ OPOZORILO

Rezila so izredno ostra. Za preprečitev poškodb bodite izredno previdni in pozorni med čiščenjem ali izvajanjem dela v bližini rezil ali znotraj odprtega ohišja, ko je zbiralna posoda odstranjena. Vedno nosite trpežne zaščitne rokavice.

- Upoštevajte, da se rezila še vedno lahko premikajo, tudi če je napajanje izključeno ali če je zaporno stikalo aktivirano.
- Da zagotovite najboljše delovanje izdelka, mora biti izdelek čist.
- Izdelek po uporabi vedno očistite. Če je možno, uporabljajte trdo krtačo za notranjost komore in žleb za praznjenje ter suho krpo za zunanji del izdelka.
- Ne dopustite, da bi se material posušil in otrdel na kateri koli površini izdelka, predvsem na rezilih. To neposredno vpliva na učinkovitost drobljenja.
- Poskrbite, da sta žlebova za dovajanje in praznjenje vedno čista ter brez odpadnega materiala.

- Prepričajte se, da so vse matice in vijaki (razen nastavitvenega vijaka) trdno priviti.
- Vedno naj usposobljeno osebje v pooblaščenem servisu Ryobi popravi ali zamenja kakor koli poškodovane ali obrabljene dele.
- Nikoli ne poskusite premostiti varnostnih stikal na zbiralni posodi ali na sprednjem pokrovu sestava rezalnika.

⚠ OPOZORILO

Zavorna tekočina, gorivo, izdelki na osnovi nafte, prodirajoče olje ipd. nikoli ne smejo priti v stik s plastičnimi deli. Za čiščenje nikoli ne uporabljajte zavornih tekočin, bencina, izdelkov na osnovi petroleja ali katerih koli topil. Večina plastičnih delov je zelo dovzetna za poškodbe s strani različnih vrst raztopil.

- Izvajate lahko vzdrževalna dela, ki so opisana v tem priročniku. Za druga popravila ali nasvete se za pomoč obrnite na odobreni servisni center RYOBI.

NASTAVITEV REZALNE PLOŠČE

- Če želite doseči največjo učinkovitost delovanja, upoštevajte te korake. Pred pričetkom dela vedno preverite, da se rezila ne dotikajo plošče za rezanje. Če želite doseči največjo učinkovitost delovanja, poskrbite, da so rezila od plošče za rezanje oddaljena 1 mm.
- Če izdelek ne drobi materiala, morate morda prilagoditi ploščo za rezanje ali pa nabrusiti rezila.
- Sčasoma boste morali prilagoditi rezila na izdelku. To dosežete tako, da ploščo za rezanje premaknete, da se narahlo stika z rezili. Prepričajte se, da je izdelek vklopljen in deluje v običajni smeri naprej. Prilaganje strgalne plošče pri izklopljenem motorju lahko povzroči resne poškodbe izdelka.

OPOMBA: Rezalno ploščo nastavite samo, če je to resnično potrebno. Prepogosto ali pretirano prilaganje strgalne plošče lahko povzroči zaustavitev izdelka.

- Med delovanjem izdelka zavrnite prilagoditveni gumb v smeri urinega kazalca.

- Če slišite, da se kovina stika s kovino ali na dnu zbiralnega vsebnika opazite kovinske ostružke, prenehajte z nastavitvijo in pustite izdelek obratovati 30 s, da se nabrusijo rezila. Po zaključku ostrenja zavrtite prilagoditveni gumb v nasprotni smeri urinega kazalca, da ni več v stiku s strgalno ploščo, pri čemer zagotovite odmik 1 mm.

OPOMBA: Za brušenje rezil se morajo ta narahlo dotikati plošče za rezanje. Vsakršna prilagajanja dokončajte počasi, da preprečite morebitne poškodbe izdelka. Če ploščo prilagodite v preveliki meri, lahko resneje poškodujete izdelek.

REZIDUALNA TVEGANJA:

Tudi če izdelek uporabljate tako, kot je predpisano, še vedno ne moremo izključiti določenih preostalih dejavnikov tveganja. Med uporabo se lahko pojavijo naslednje nevarnosti, upravljavec pa naj bo pozoren na naslednje:

- Poškodbe, ki jih povzroči hrup
 - Nosite zaščito za sluh in omejite izpostavljenost
- Poškodba zaradi vdihavanja prahu in delcev
 - Po potrebi nosite masko za prah s filtrom.
- Poškodba zaradi stika z rezili
 - Ves čas pazite, da nezaščiteni deli telesa ne pridejo v bližino rezilnega mehanizma.

ZMANJŠANJE TVEGANJA

Ugotovljeno je bilo, da lahko pri nekaterih posameznikih vibracije ročnih orodij povzročijo Raynaudov sindrom. Simptomi so lahko mravljinca, otrplost in pobledele prsti, kar je običajno vidno, kadar je oseba izpostavljena mrazu. Dedni dejavniki, izpostavljenost mrazu in vlagi, dieta, kajenje in delovne navade naj bi pripomogle k razvoju teh simptomov. Za zmanjšanje učinkov vibracij lahko upravljavec upošteva naslednja navodila:

- Poskrbite, da bo vaše telo na mrazu toplo. Med upravljanjem nosite rokavice in tako ohranjajte toploto vaših dlani in zapestij. Kot poročajo, je mraz glavni dejavnik, ki prispeva k Raynaudovemu sindromu.

- Po vsakem obdobju upravljanja naprave telovadite in tako pospešite krvni obtok.
- Pogosto si vzemite odmor. Omejite dnevno količino izpostavljenosti.

Če zaznavate kakršne koli simptome takšnega stanja, takoj prenehajte z uporabo naprave in se o simptomih posvetujte z zdravnikom.

⚠ OPOZORILO

Daljša uporaba orodja lahko privede do poškodb ali pa so poškodbe lahko hujše. Kadar orodje uporabljate dalj časa, si večkrat vzemite odmor.

SPOZNAJTE SVOJ IZDELEK

Glejte stran 196.

1. Stikalo za vklop
2. Stikalo za izklop
3. Stikalo za vzvratno smer
4. Gumb za ponastavitev naprave za prenapetostno zaščito
5. Dovajalni žleb
6. Ročaj
7. Gumb za nastavitev rezilne ploščice.
8. Kolo
9. Zbiralna posoda
10. Varnostno stikalo
11. Bat za material

OPOMBA: Če po vstavitvi zbiralne posode v izdelek potegnete varnostno stikalo, aktivirate varnostno stikalo.

VODILO ZA DROBLJENJE

Za najboljše rezultate pri drobljenju upoštevajte smernice iz spodnje tabele.

MATERIAL	NAČIN DROBLJENJA
Veje največjega premera 6 mm.	Dovajajte v žleb za dovajanje s hitrostjo, ki jo izdelek dopušča, ne da bi ga preobremenili.
Veje največjega premera 45 mm.	Pred dovajanjem v žleb za dovajanje z materiala obrežite stransko rastje z vrtnarskimi škarjami.
Sajenje rastlin, semen in grmičevja.	Zemljo in kamne odstranite s korenin, da ne boste poškodovali rezil.

Suhe palice in veje Vnašanje tega materiala na koncu drobljenja pomaga pri čiščenju vlage in rastlinskega soka iz notranjosti izdelka in z rezil.

- Pred drobljenjem naj se vrtni odpadki ne nabirajo, saj se bodo začeli kompostirati, postali preveč mokri ali bodo zamašili rezilni sklop. Suh material pripomore k praznjenju večine materiala iz odprtine za izmet. Nekaj suhih palic shranite do konca, saj bodo v pomoč pri čiščenju predela rezila.
- Redno spremljajte nabiranje zdrobljenega materiala.
- Izhod žlebu za praznjenje mora biti vedno čist, da ne pride do zamašitve.
- Ko se zbiralna posoda napolni, izklopite izdelek in jo šele nato izpraznite.

⚠ OPOZORILO
Ko je izdelek vklopljen ali priključen na električno napajanje, ne segajte z rokami v odvajalno šobo strgalnika, da bi odstranili razrezan material. Rezila so ostra. Nosite trpežne zaščitne rokavice in bodite izredno previdni pri čiščenju in odpravljanju blokad.

⚠ OPOZORILO
Pri vstavljanju dolgih olesenelih vej/debel v izdelek, pazite na sunke in vibracije, ko se veje zataknejo v rezalnik. Upravljaavec mora med uporabo tega izdelka vedno nositi zaščito za oči.

⚠ OPOZORILO
Rezalna naprava lahko vleče veje/debla v izdelek. Ne ovirajte vstopa rezanega materiala, ko se začne dovajanje. Ko dovajate material v izdelek, vedno uporabljajte zaščitne rokavice, da ne bi prišlo do kožnih raztrganin.

OPOMBA: Med pripravljanjem izdelka za uporabo poskrbite, da je izdelek dobro pritrjen, da se ne prevrne (glejte 2 - 6. korak na strani 197).

OPOMBA: Med običajno uporabo ne izklopite izdelka, dokler ves razrezan material ni odstranjen iz sestava rezalnika. Če izdelek prehitro izklopite, se lahko preostali kosi materiala zagozdijo v sestav rezila in povzročijo zastoj motorja ob naslednjem vklopu izdelka.

SIMBOLI NA IZDELKU



Pred uporabo izdelka morate prebrati in razumeti vsa navodila, upoštevati vsa opozorila in varnostne napotke.



Pazite na izvržene ali leteče predmete. Prisotni (še posebej otroci in živali) naj bodo med obratovanjem oddaljeni vsaj 15 m od delovnega območja.



Nevarnost – Vrtljiva rezila. Medtem ko je izdelek v teku, imejte roke in noge izven odprtina.



Pred vzdrževanjem izdelka ali če je kabel poškodovan izklopite izdelek in odstranite vtič iz napajalne vtičnice.



Nosite zaščito za oči in ušesa.



Ne uporabljajte kot stopnico.



Počakajte, da se komponente izdelka popolnoma ustavijo, preden se jih dotaknete.



Nosite si nedrseče, močne delovne zaščitne rokavice.



Ustreza vsem predpisanim standardom v državi članici EU, kjer je bil kupljen izdelek.



EurAsian oznaka o skladnosti



Ukrajinska oznaka za skladnost



Zajamčena raven hrupa je 102 dB.



Razred II: Zaščita pred električnim udarom je zasnovana na dvojni izolaciji ali ojačani izolaciji.



Odpadne električne izdelke odlagajte skupaj z ostalimi gospodinjskimi odpadki. Reciklažo opravljajte na predpisanih mestih. Za reciklažni nasvet se obrnite na lokalne oblasti.



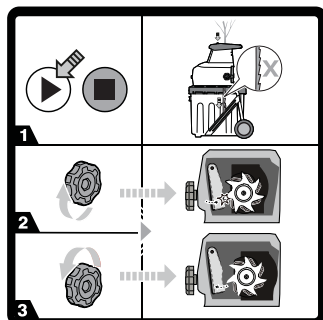
Zagon



Ustavi



Nazaj



Če izdelek materiala ne drobi več, bo morda treba nastaviti rezilni ploščico.

1. Prižgite napravo.
2. Prilagoditveni gumb strgalne plošče zavrtite v smeri urinega kazalca, da zaslišite zvok stika kovine s kovino oziroma na dnu zbiralne posode zagledate drobne kovinske opilke.
3. Po 30 sekundah zavrtite gumb v nasprotni smeri urinega kazalca, da zagotovite razmik 1 mm od rezil.

SIMBOLI V TEM PRIROČNIKU



Priključite v vtičnico



Izključite iz vtičnice



Deli ali dodatki so na prodaj ločeno



Opomba



Opozorilo



Uzamknutie



Odklep



Roke držite proč od rezil.

Sledeče signalne besede in pomeni naj bi pojasnili ravni tveganja, ki so povezane s tem izdelkom.

⚠ NEVARNOST

Označuje neizbežno tvegano stanje, ki če se ji ne izognete lahko povzroči smrt ali resno poškodbo.

⚠ OPOZORILO

Označuje morebitno tvegano stanje, ki če se ji ne izognete lahko povzroči smrt ali resno poškodbo.

⚠ POZOR

Označuje morebitno tvegano stanje, ki če se mu ne izognete lahko povzroči manjšo ali srednje resno poškodbo.

POZOR

Brez simbola za varnostno opozorilo Prikazuje situacijo, ki lahko povzroči materialno škodo.

ODPRAVLJANJE NAPAK

PROBLEM	VZROK	DEJANJE
Motor ne teče.	Sprožila se je naprava za prenapetostno zaščito.	Počakajte, da se motor ohladi, in pritisnite gumb za ponastavitev naprave za prenapetostno zaščito. Znova vklopite izdelek.
	Izpad električne energije	Preverite napajalni kabel, vtič in varovalko v hiši.
	Zbiralna posoda ni vstavljena v izdelek in/ ali varnostno stikalo ni aktivirano.	Vstavite zbiralno posodo in nato potegnite varnostno stikalo, da ga aktivirate.
Materiala, ki ga želite zdrobiti, naprava ne povleče.	Material je zagozden v odvajalnem vodu.	Upoštevajte navodila v priložnem priročniku za odpravljanje ovir.
	Rezilna ploščica je predeleč od rezil.	Upoštevajte navodila v priložnem priročniku za prilagajanje plošče za rezanje.

Na dosiahnutie jednoduchej obsluhy a prevádzky boli pri navrhovaní tejto elektrickej tichej drvičky najvyššou prioritou bezpečnosť, výkon a spoľahlivosť.

ÚČEL POUŽITIA

Tento tichý elektrický drvič je určený na vonkajšie používanie, v stacionárnej polohe, pričom obsluha stojí na zemi.

Výrobok je navrhnutý na redukovanie organického záhradného odpadu, ako sú konáre, vetvy a listie.

Tento produkt nie je určený na neorganické materiály, kovy alebo materiály, ktoré prekračujú jeho reznú kapacitu priemeru 45 mm.

Produkt musí byť namontovaný na dodaný stojan a musí sa používať s dodanou zbernou nádobou. Musí sa namontovať len spôsobom uvedeným v tejto príručke.

Nepoužívajte na žiadne iné účely.

VŠEOBECNÉ BEZPEČNOSTNÉ PRAVIDLÁ

⚠ VAROVANIE

Produkt nie je určený na použitie deťmi alebo osobami so zníženými fyzickými, duševnými alebo zmyslovými schopnosťami. Malé deti musia byť neustále pod dozorom inej ako obsluhujúcej osoby, aby sa nehrali s produktom alebo v jeho blízkosti.

⚠ VAROVANIE

Pri používaní produktu je potrebné dodržiavať základné bezpečnostné opatrenia, aby sa znížilo riziko požiaru, zásahu elektrickým prúdom a poranenia osôb. Pred použitím produktu si dôkladne prečítajte všetky tu uvedené bezpečnostné pokyny. Oboznámte sa s ovládacími prvkami a správnym a bezpečným používaním produktu. Odložte si tento návod na neskoršie použitie.

ŠKOLENIE

- Pred prevádzkovaním výrobku sa oboznámte s používateľskou príručkou.
- Nikdy nedovoľte používať produkt deťom ani osobám, ktoré nie sú oboznámené s týmto návodom. Miestne platné predpisy

môžu obmedzovať dobu použitia kosačky.

- Obsluha alebo používateľ stroja sú zodpovední za nehody alebo škody na majetku a za nebezpečenstvo vzniknuté pri prevádzke stroja.

PRÍPRAVA

- Nikdy neprevádzkujte výrobok, keď sa v blízkosti nachádzajú iné osoby, najmä deti alebo domáce zvieratá.
- Nikdy nepoužívajte výrobok za zlého počasia alebo keď hrozí nebezpečenstvo blesku.
- Pri práci so strojom používajte neustále chrániče sluchu a ochranné okuliare.
- Pri prevádzkovaní výrobku vždy noste pevnú obuv (protišmykovú) a dlhé nohavice. Nenoste odev, ktorý je voľný alebo má voľne visiace šnúrky či pútko. Nepoužívajte výrobok bosí alebo v otvorených sandáloch.
- Výrobok používajte iba v otvorenom priestore (napr. nie blízko steny alebo pevného predmetu) a na pevnom, rovnom povrchu.
- Nepracujte so strojom na dláždenom alebo štrkovom povrchu, kde by vyrážaný materiál mohol spôsobiť poranenie.
- Pred spustením výrobku skontrolujte, či sú všetky skrutky, matice, maticové skrutky a iné upevňovacie prvky riadne zaistené a že ochranné kryty a zberná nádoba sú na mieste. Výmenu poškodených alebo nečitateľných štítkov vykonajú v autorizovanom servisnom centre.
- Skontrolujte, napájací a predlžovací kábel, či nie sú poškodené alebo opotrebené. Ak sa kábel pri používaní poškodí, okamžite ho odpojte z elektrickej siete. Pred odpojením napájania sa nedotýkajte kábľa. Nástroj nepoužívajte, ak je kábel poškodený alebo opotrebovaný.

ELEKTRICKÁ BEZPEČNOSŤ

- Pred pripojením zariadenia do elektrickej siete si prečítajte tieto bezpečnostné pokyny.
- Pred zapnutím skontrolujte, či napätie vášho prívodu elektrickej energie je rovnaké, ako je uvedené na výkonovom štítku. Výrobca odporúča pripojiť zariadenie k elektrickej zásuvke s ochranou RCD s



vypínacím prúdom maximálne 30 mA.

- Pripojením k inému zdroju energie môže dôjsť k poškodeniu.
- Ak je napájací kábel poškodený, musí ho vymeniť výrobca, jeho servisný zástupca alebo podobne kvalifikovaná osoba, aby nedošlo k ohrozeniu.
- Ak potrebujete použiť predlžovací kábel, skontrolujte, či je vhodný na použitie v exteriéri a má a dostatočnú nominálnu prúdovú kapacitu na napájanie nástroja. Predlžovací kábel musí mať označenie „H05 RN-F“ alebo „H05 VV-F“. Pred každým použitím skontrolujte káble, či nedošlo k poškodeniu a počas používania ich vždy odvíte, lebo zavinuté káble sa môžu prehrievať. Poškodené predlžovacie káble sa nesmú opravovať, ale vymeniť za ekvivalentný typ.
- Predlžovacie káble vedte mimo pohybujúcich sa nebezpečných častí, aby nedošlo k poškodeniu káblov, čo by mohlo viesť k dotyku so živými časťami.

BEZPEČNOSTNÉ VÝSTRAHY PRE DRVIČ

MONTÁŽ

- Počas nastavenia výrobku na použitie sa ubezpečte, že je výrobok zaistený tak, aby sa neprevrátil. *Pozrite stranu 197.*

PREVÁDZKA

- Pred spustením stroja sa pozrite do podávacej komory a skontrolujte, či je prázdna.
- Nedávajte tvár a telo do blízkosti vstupného otvoru.
- Dávajte pozor, sa dovnútra podávacej komory, vyprázdňovacieho žľabu alebo do blízkosti akéhokoľvek pohybujúceho sa dielu, nedostali ruky alebo akékoľvek iné časti tela či odevu.
- Vždy majte pevnú oporu nôh. Neustále zachovávajte pevnú oporu nôh a rovnováhu. Nepreceňujte sa. Pri podávaní materiálu do stroja nikdy nestojte vyššie, ako je základňa stroja. Pri používaní výrobku na svahoch buďte opatrní. Choďte krokom, nikdy nebežte.
- Vždy stojte mimo zóny vyprázdňovania, keď obsluhujete tento výrobok.

- Pri podávaní materiálu do stroja dávajte veľký pozor, aby v tento materiál neobsahoval kúsky kovu, kamene fľaše, plechovky či iné cudzie predmety.
- Ak rezný mechanizmus narazí na cudzí predmet alebo ak sa výrobok spustí s vydávaním nezvyčajného hluku alebo vibrácií, výrobok vypnite a počkajte na úplne zastavenie nožov. Odpojte produkt od zdroja energie a vykonajte nasledujúce kroky:
 - skontrolujte poškodenia;
 - skontrolujte a utiahnite prípadne uvoľnené diely;
 - Akékoľvek poškodené diely nechajte vymeniť alebo opraviť za originálne náhradné diely RYOBI
- Nedovoľte, aby sa spracovaný materiál hromadil vo vyprázdňovacom žľabe – mohol by brániť správne vyprázdňovaniu alebo spôsobiť zablokovanie a následne spôsobiť spätný náraz materiálu cez otvor prívodu.
- Ak sa výrobok upcháva, výrobok vypnite a počkajte na úplne zastavenie nožov. Pred vyčistením sutiny odpojte produkt od zdroja energie.
- Nikdy neprevádzkujte výrobok, ak sú ochranné kryty, kryty, zberná nádoba alebo iné bezpečnostné zariadenia poškodené, nie sú v správnej polohe a nie sú dobrom prevádzkovom stave.
- Ak sa pri drvení vytvára prach, používajte vhodnú protiprachovú masku, aby nedošlo k poraneniu respiračného systému.
- Neprenášajte ani neprepravujte produkt, kým je motor spustený.
- Vypnite produkt a odpojte ho z elektrickej siete. Skontrolujte, či sa všetky pohyblivé diely úplne zastavili:
 - pred ponechaním výrobku bez dozoru
 - pred odstránením zablokovania
 - pred kontrolou, čistením alebo údržbou výrobku.
- Produkt nenakláňajte, keď je motor spustený.
- Nikdy neupravujte časti výrobku ani nepoužívajte diely, ktoré nie sú odporúčané spoločnosťou RYOBI, môže to zvýšiť riziko



vážneho poranenia vašej osoby alebo iných osôb.

- Vždy dbajte na to, aby na vetracích otvoroch nebola sutina, inak sa môže prehriať motor, čo môže viesť k poškodeniu produktu alebo zvýšenému riziku požiaru.
- V prípade úrazu alebo poruchy výrobok okamžite odpojte od prívodu elektrickej energie. Nepoužívajte výrobok znovu, pokiaľ nebude úplne skontrolovaný autorizovaným servisným strediskom.
- Pred pripojením alebo vybratím zbernej nádoby vypnite produkt.

⚠ VAROVANIE

Pri dlhodobom alebo zvýšenom používaní môže dôjsť k zraneniam. Pri používaní nástroja príliš dlhé obdobia si vždy doprajte pravidelné prestávky.

PREPRAVA A SKLADOVANIE

- Dbajte na dôkladné vyčistenie produktu predtým, ako ho odložíte na čisté a suché miesto a zabezpečíte ho mimo dosahu detí.
- Pred uskladnením alebo prepravou nechajte produkt dostatočne vychladnúť.
- Pri preprave zaistíte produkt pred pohybom alebo pádom, aby nedošlo k poraneniu osôb alebo poškodeniu produktu.

ÚDRŽBA

Pred čistením, kontrolou alebo servisom výrobku, výrobok vypnite, počkajte na úplne zastavenie nožov a odpojte od elektrickej siete. Po určitom čase drvenia bude rezací mechanizmus horúci. Pred čistením, kontrolou alebo úpravami nechajte produkt dostatočne vychladnúť.

⚠ VAROVANIE

Rezné ostria sú veľmi ostré. Aby ste sa vyhlí zraneniu, buďte mimoriadne opatrní pri čistení alebo práci v blízkosti nožov alebo vo vnútri ochranného krytu, po vybratí zbernej nádoby. Vždy používajte pevné ochranné rukavice.

- Myslite na to, že rezacie zariadenia sa ešte môžu pohybovať, aj keď je napájanie

vypnuté alebo je aktivovaný ochranný spínač.

- Ak chcete zabezpečiť najlepší výkon zariadenia, musíte ho udržiavať v čistote.
- Produkt po použití bezodkladne vyčistite. Vždy, keď je to možné, pomocou tvrdej kefy vyčistíte vnútro podávacích a vyprázdňovacích žľabov a pomocou suchej tkaniny vonkajšie plochy produktu.
- Nedovoľte, aby materiál zaschol alebo stvrdol na niektorom z povrchov výrobku, ale najmä na nožoch. To má priamy vplyv na výkon drvenia.
- Dbajte na to, aby podávací žľab a vyhadzovací žľab boli vždy čisté a bez odpadového materiálu.
- Skontrolujte, či všetky matice, maticové skrutky a skrutky (okrem nastavovacej skrutky) sú utiahnuté a zaistené.
- Všetky poškodené alebo opotrebované diely dajte ihneď opraviť alebo vymeniť kvalifikovanému personálu v schválenom servisnom centre Ryobi.
- Nikdy sa nepokúšajte obísť bezpečnostné poistné spínače na zbernej nádobe alebo prednom kryte zostavy nožov.

⚠ VAROVANIE

Dbajte na to, aby do kontaktu s plastovými dielmi nikdy neprišli do kontaktu brzdové kvapaliny, benzín, ropné produkty, prenikavé oleje a pod. Nikdy nepoužívajte brzdovú kvapalinu, benzín, ropné produkty alebo silné rozpúšťadlá na čistenie nástroja. Veľa plastov je citlivých na poškodenie rôznymi typmi komerčných rozpúšťadiel a môžu byť nimi poškodené.

- Môžete vykonávať úkony údržby popísané v tomto návode. Pri ostatných opravách alebo ak potrebujete radu, vyhľadajte pomoc v autorizovanom servisnom stredisku RYOBI.

NASTAVENIE ZBRUSOVACEJ DOSKY

- Produkt funguje najlepšie pri dodržaní týchto krokov. Pred použitím vždy skontrolujte, či ostria nie sú v kontakte so zbrusovacou doskou. Optimálny výkon dosiahnete pri zachovaní 1 mm medzery medzi ostriami a zbrusovacou doskou.
- Ak produkt nedrví materiál, možno bude

potrebné nastaviť zbrusovaciu dosku alebo naostriť ostria.

- Časom je potrebné ostria na produkte nastaviť. To možno vykonať nastavením zbrusovacej dosky tak, aby bola v jemnom kontakte s ostriami. Zabezpečte, aby výrobok bol zapnutý a pracoval bežným chodom dopredu. Nastavovanie reznej protidosky pri vypnutom motore by mohlo viesť k vážnemu poškodeniu výrobku.

POZNÁMKA: Nastavenie zbrusovacej dosky vykonajte len vtedy, keď je to považujete za absolútne nevyhnutné. Príliš časté nastavenie alebo prílišné vysunutie reznej protidosky môže spôsobiť, že výrobok prestane pracovať.

- Kým je výrobok spustený, otočte regulačný gombík v smere hodinových ručičiek.
- Keď začujete kontakt kovu o kov lebo na dnes zbernej nádoby uvidíte hliníkové hobliny, zastavte nastavovanie a nechajte produkt 30 sekúnd bežať, aby sa ostria naostrili. Po dokončení ostrenia otáčajte regulačný gombík proti smeru hodinových ručičiek dovtedy, kým už sa už nebude dotýkať s reznou protidoskou a vznikla medzera 1 mm.

POZNÁMKA: Na ostrenie ostří sa vyžaduje jemný kontakt so zbrusovacou doskou. Všetky nastavenia vykonávajte pomaly, aby nedošlo k poškodeniu produktu. Príliš silné nastavenie dosky môže spôsobiť vážne poškodenie produktu.

ZVÝŠKOVÉ RIZIKÁ:

Aj keď sa nástroj používa podľa predpisu, nie je možné eliminovať určité zvyškové rizikové faktory. Pri použití vznikajú nasledujúce riziká a obsluhujúca osoba musí venovať zvláštnu pozornosť, aby nedošlo k nasledovnému:

- Zranenie spôsobené hlukom
 - Používajte ochranu sluchu a obmedzte expozíciu
- Zranenie spôsobené vdýchnutím prachu a čistočiek
 - Ak je to potrebné, používajte protiprachovú masku s filtrom.
- Zranenie spôsobené kontaktom s rezacím mechanizmom
 - Nechránené časti tela nikdy nedávajte

do blízkosti rezacieho mechanizmu.

OBMEDZENIE RIZIKA

Boli hlásené prípady, kedy vibrácie z ručných nástrojov u niektorých osôb prispeli k stavu nazývanému Raynaudov syndróm. K symptómom patria: trpnutie, znecitlivenie a blednutie prstov, zvyčajne zjavné po vystaveniu zime. Je známe, že k vývoju týchto symptómov prispievajú: dedičné faktory, vystavovanie zime a vlhkosti, diéta, fajčenie a pracovné návyky. Opatrenia, ktoré môže vykonať obsluhujúca osoba na možné zníženie účinkov vibrácií:

- V studenom počasí udržiavajte svoje telo v teple. Pri práci s produktom noste rukavice, aby ste mali ruky a zápästia v teple. Boli hlásené prípady, kedy hlavným faktorom prispievajúcim k Raynaudovmu syndrómu bolo studené počasie.
- Po každom určitom časovom úseku prevádzky cvičte, aby ste zlepšili krvný obeh.
- Počas práce si doprajte časté prestávky. Obmedzte počet vystavení za deň.

Ak zistíte ktorýkoľvek zo symptómov tohto stavu, okamžite prerušte používanie zariadenia, navštívte svojho lekára a povedzte mu o symptómoch.

VAROVANIE

Pri dlhodobom alebo zvýšenom používaní môže dôjsť k zraneniam. Pri používaní nástroja príliš dlhé obdobia si vždy doprajte pravidelné prestávky.

OBOZNÁMTE SA S VAŠÍM PRODUKTOM

Pozrite stranu 196.

1. Spúšťači spínač
2. Vypínač
3. Spínač spätného chodu
4. Resetovacie tlačidlo na ochranu zariadenia pred preťažením
5. Podávací žľab
6. Rúčka
7. Nastavovacie tlačidlo zbrusovacej dosky
8. Koleso
9. Zberná nádoba
10. Bezpečnostný spínač
11. Posúvač materiálu

POZNÁMKA: Vyťahnutím bezpečnostného

vypínača po vložení zbernej nádoby do výrobku sa bezpečnostný vypínač aktivuje.

SPRIEVODCA DRVENÍM

Najlepšie výsledky drvenia dosiahnete, keď sa budete riadiť pokynmi v nasledujúcej tabuľke.

MATERIÁL	METÓDA DRVENIA
Vetvičky do priemeru 6 mm.	Do podávacieho žľabu podávajte materiál rýchlosťou, ktorú prijme produkt bez preťaženia.
Konáre do priemeru 45 mm.	Pred podaním do podávacieho žľabu s piestom odstrihnite bočné výrastky.
Vrstvenie rastlín, buriny a krovinatého porastu	Korene oklepne od hliny a kamenia, aby nedošlo k poškodeniu ostrí.
Suché paličky a vetvy	Keď ich vložíte na konci drvenia, pomôžete tak vyčistiť vlhkosť a rastlinnú miazgu zvnútra produktu a rezacej jednotky.

- Dbajte na to, aby sa pred drvením nahromadil záhradný odpad, inak začne kompostovať, príliš zvlhne a upchá rezaciu zostavu. Suchý materiál pomôže vyčistiť vyhadzovací žľab od väčšiny materiálov. Na koniec si nechajte nejaké suché paličky, ktoré pomôžu vyčistiť priestor ostrí.
- Pravidelne monitorujte hromadenie nadrveného materiálu.
- Výstup vyprázdňovacieho žľabu musí byť vždy voľný, aby nedochádzalo k upchatiu.
- Keď je zberná nádoba plná, pred vyprázdnením vypnite výrobok.

⚠ VAROVANIE

Nedávajte ruky dovnútra vyprázdňovacieho žľabu drviča, aby ste odstránili rozdrvený materiál, kým je výrobok zapnutý alebo pripojený k elektrickej sieti. Ostria sú ostré. Pri čistení a odstraňovaní upchaného materiálu používajte odolné rukavice a buďte veľmi opatrní.

⚠ VAROVANIE

Pri podávaní dlhých drevených konárov či stoniek do produktu dávajte pozor na švihnutie a vibrácie, keď ich zachytí drvička. Obsluhujúci musí pri používaní produktu vždy používať ochranu zraku.

⚠ VAROVANIE

Rezacie zariadenie má tendenciu vťahovať konáre/stonky do produktu. Nepokúšajte sa brániť vstupu rezaného materiálu, keď už začalo podávanie. Vždy používajte rukavice, aby nedošlo k rozodratiu kože pri podávaní materiálu do produktu.

POZNÁMKA: Počas nastavenia výrobku na použitie sa ubezpečte, že je výrobok zaistený tak, aby sa neprevrátil (pozrite si stranu 197, krok 2 - 6).

POZNÁMKA: Pri bežnom používaní nevypínajte výrobok, kým všetok nadrvený materiál nevyjde zo zostavy nožov. Ak vypnete výrobok príliš rýchlo, zvyšné kusy materiálu môžu upchať zostavu nožov a motor sa môže zaseknúť, keď výrobok znovu zapnete.

SYMBOLY NA PRODUKTE



Pred použitím produktu si s porozumením prečítajte všetky pokyny a dodržiavajte výstražné a bezpečnostné upozornenia.



Pozor na vymrštené alebo odletujúce objekty. Všetky okolostojace osoby (najmä deti a domáce zvieratá) musia stáť minimálne 15 m od miesta práce



Nebezpečenstvo – rotujúce ostria. Nedávajte ruky ani nohy do otvorov, keď je produkt spustený.



Pred údržbou alebo pri poškodení kábla vypnite zariadenie a odpojte zástrčku z elektrickej siete.



Používajte chrániče zraku a sluchu.



Nepoužívajte ako schod.



Predtým, ako sa budete dotýkať komponentov zariadenia, počkajte, kým sa úplne nezastavia.



Používajte protišmykové odolné rukavice.



Vyhovuje všetkým regulačným normám v krajine EÚ, v ktorej bol výrobok zakúpený.



Euroázijská značka zhody



Ukrajinské označenie zhody



Garantovaná hladina akustického výkonu je 102 dB



Trieda II: Ochrana pred úrazom elektrickým prúdom je založená na dvojitej alebo zosilnenej izolácii.



Opotrebované elektrické zariadenia by ste nemali odhadzovať do domového odpadu. Prosíme o recykláciu ak je možné. Kontaktujte miestne úrady, alebo predajcu pre viac informácií ohľadom ekologického spracovania.



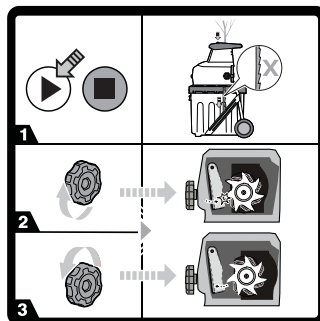
Spustenie



Stop



Dozadu



Ak produkt nedrví materiály, môže byť potrebné nastaviť zbrusovaciu dosku.

1. Zapnite produkt.
2. Otočte regulačný gombík reznej protidosky v smere hodinových ručičiek, až kým nebudete počuť dotyk kovu o kov alebo uvidíte jemné hliníkové hoblíny na dne zbernej nádoby.
3. Po 30 sekundách otočte gombík proti smeru hodinových ručičiek, až kým medzi reznou protidoskou a nožmi nebude medzera 1 mm.

SYMBOLY V TOMTO NÁVODE



Pripojte do elektrickej zásuvky



Odpojte z elektrickej zásuvky



Diely alebo príslušenstvo predávané samostatne



Poznámka



Varovanie



Zamknuté



Odomknuté



Ruky nedávajte do blízkosti ostrí.

Nasledujúce značky a významy vysvetľujú úroveň rizika spojeným s výrobkom.

⚠ NEBEZPEČENSTVO

Označuje bezprostredne nebezpečnú situáciu, ktorá môže vyústiť v smrť, alebo vážne zranenie.

⚠ VAROVANIE

Označuje potenciálne nebezpečnú situáciu, ktorá môže vyústiť v smrť, alebo vážne zranenie.

⚠ VÝSTRAHA

Označuje potenciálne nebezpečnú situáciu, ktorá môže vyústiť v ľahké, alebo stredne ťažké zranenie.

VÝSTRAHA

Bez symbolu bezpečnostného alarmu
Označuje situáciu, ktorá môže zapríčiniť poškodenie majetku.

RIEŠENIE PROBLÉMOV

PROBLÉM	PRÍČINA	AKCIA
Motor nebeží.	Je spustené zariadenie na ochranu proti preťaženiu.	Počkajte, kým motor vychladne, stlačte resetovacie tlačidlo na ochranu zariadenia pred preťažením. Znovu zapnite výrobok.
	Výpadok napájania	Skontrolujte napájací kábel, zástrčku a istič.
	Do výrobku nie je vložená zberná nádoba alebo nie je aktivovaný bezpečnostný spínač.	Zasuňte zbernú nádobu a vytiahnutím aktivujte bezpečnostný spínač.
Drvený materiál nie je zakreslený.	Materiál je zaseknutý v podávaacom lieviku.	Pri čistení prekážok postupujte podľa pokynov v tomto návode.
	Zbrusovacia doska je príliš ďaleko od rezacích zariadení.	Pri nastavovaní zbrusovacej dosky postupujte podľa pokynov v tomto návode.

Безопасността, производителността и надеждността са аспектите, на които е отделен най-голям приоритет при проектирането на вашата безшумна електрическа дробилка.

ПРЕДНАЗНАЧЕНИЕ

Електрическата безшумна дробилка е предназначена за употреба на открито в неподвижна позиция от изправен оператор, стъпил на земята.

Продуктът е предназначен за намаляване на органичните градински отпадъчни материали, като например клони, вейки и листа.

Продуктът не е предназначен за раздробяване на неорганични материали, метали или материали с диаметър над 45 мм, колкото е капацитетът на рязане на уреда.

Продуктът трябва да бъде монтиран на предоставената стойка и да се използва с предоставения съд за събиране на отпадъци. Монтирането не трябва да се извършва по начин, различен от показания в настоящото ръководство.

Не го използвайте за никакви други цели.

ОСНОВНИ ПРАВИЛА ЗА БЕЗОПАСНОСТ

▲ ПРЕДУПРЕЖДЕНИЕ

Продуктът не е предназначен за използване от деца или от лица с намалени физически, сетивни или умствени способности. Лице, различно от оператора, трябва постоянно да държи под надзор малките деца, за да не се допуска те да си играят с продукта или в близост до него.

▲ ПРЕДУПРЕЖДЕНИЕ

При използване на уреда трябва винаги да се вземат основни мерки за безопасност, за да се намали рискът от пожар, токов удар или физическо нараняване. Прочетете внимателно всички инструкции за безопасност, преди да започнете да използвате продукта. Запознайте се добре с управлението на продукта и научете как да го използвате правилно и безопасно. Съхранявайте ръководството за експлоатация на сигурно място, за да можете да го ползвате и по-късно.

Обучение

- Запознайте добре се с ръководството за потребителя, преди да се опитвате да използвате продукта.
- Никога не позволявайте продуктът да бъде използван от деца или от лица, непознати с настоящите инструкции. Местните наредби могат да налагат ограничения за възрастта на оператора.
- Операторът или потребителят на продукта носи отговорност за инциденти или рискове, възникнали спрямо други лица или тяхна собственост.

ПОДГОТОВКА

- Никога не използвайте продукта в близост до странични наблюдатели, особено деца и домашни любимци.
- Никога не използвайте продукта при лоши атмосферни условия или ако има риск от гръмотевици.
- Носете антифони и защитни очила всеки път, когато боравите с машината.
- Докато работите с продукта, винаги носете здрави (неплъзгащите се) обувки и дълги панталони. Избягвайте носенето на широки дрехи или дрехи с висящи шнулове или вратовръзки. Не работете с продукта, докато сте с боси крака или когато носите отворени сандали.
- Работете с продукта само на открити пространства (напр. не в близост до стена или непреместваеми обекти) и на твърда и равна повърхност.
- Не използвайте тази машина на павирана или чакълеста повърхност, където изхвърлен материал може да причини нараняване.
- Преди да стартирате продукта, проверете дали всички винтове, гайки, болтове и други крепежни елементи са правилно закрепени, както и дали са поставени предпазителите и съдът за събиране на отпадъци. Занесете в оторизиран сервизен център, ако е необходима замяна на повредени или нечетливи етикети.
- Преди употреба проверете захранването и захранващия кабел за следи от щети и износване. Ако кабелът се повреди по време на работа, внимателно издърпайте кабела от

електричеството. Не докосвайте кабела, преди да изключите захранването. Не използвайте инструмента, ако кабелът е повреден или износен.

ЕЛЕКТРИЧЕСКА БЕЗОПАСНОСТ

- Прочетете внимателно настоящите инструкции, преди да свържете продукта към електрическата мрежа.
- Преди включване се уверете, че напрежението на електрическата мрежа съвпада с посоченото на табелката с номинални стойности. Производителят препоръчва да свържете към захранващо гнездо, защитено с диференциалнотокова защита с максимален ток на изключване 30 mA.
- Свързването му към какъвто и да е друг захранващ източник може да го повреди.
- Ако захранващият кабел е повреден, трябва да бъде сменен от производителя, негов сервизен представител или подобно квалифицирано лице, за да се избегнат опасностите.
- Ако е необходимо да използвате удължаващ кабел, проверете дали той е подходящ за работа на открито или дали захранващият му капацитет е достатъчен за захранване на вашия инструмент. Удължаващият кабел трябва да има маркировка „H05 RN-F” или „H05 VV-F”. Преди всяко използване проверявайте кабела за повреди, а при работа винаги го развивайте, защото неразвитите кабели могат да прегреят. Повредените удължителни кабели не трябва да се поправят, а да се сменят с такива от еквивалентен тип.
- Дръжте удължаващите кабели далеч от движещите се опасни части, за да избегнете повреди на кабелите, което може да доведе до контакт с електризирани компоненти.

ПРЕДУПРЕЖДЕНИЯ ЗА БЕЗОПАСНОСТ ПРИ РАБОТА С ДРОБИЛКАТА

СГЛОБЯВАНЕ

- Докато настройвате продукта за употреба, се уверете, че е обезопасен, така че да не се преобърне. Вж. страница 197.

РАБОТА

- Преди да стартирате машината, се уверете, че фунията за пълнене е празна.
- Дръжте лицето и тялото си на безопасно разстояние от входящия отвор.
- Внимавайте ръцете или други части на тялото или дрехите ви да не попадат във фунията за пълнене или улея за изхвърляне, както и да не се доближават до движещите се елементи.
- Винаги стъпвайте внимателно и стабилно. Винаги стъпвайте стабилно по време на работа и пазете равновесие. Не се протягайте, за да работите на трудно достижими места. По време на пълнене с материал не стойте на ниво, по-високо от основата на машината. Бъдете внимателни при използване на продукта по наклони. Вървете, никога не тичайте, когато косите.
- Винаги стойте настрана от зоната на изхвърляне на отпадъци, докато работите с продукта.
- Когато подавате на електроинструмента материал за рязане, бъдете особено внимателни в него да не попаднат метални детайли, камъни, бутилки, кутии или други външни предмети.
- Ако режещият механизъм засегне чужди предмети или ако продуктът започне да издава необичаен шум или да генерира вибрации, изключете го и изчакайте, докато остриетата спрат напълно. Изключете продукта от електрозахранването и изпълнете следните стъпки:
 - огледайте повредата;
 - проверете има ли незатегнати детайли и при необходимост ги затегнет;
 - Всички повредени части трябва да бъдат подменени или ремонтирани с оригинални резервни части на RYOBI
- Не позволявайте в улея за изхвърляне да се натрупват раздробени материали; това възпрепятства правилното изхвърляне и може да доведе до блокиране на уреда или до изхвърчане на материали в обратна посока през

захранващата фуния.

- Ако продуктът се задръсти, изключете го и изчакайте, докато остриетата спрат напълно. Изключете продукта от електрозахранването, преди да го почистите от натрупаните отпадъци.
- Никога не работете с продукта, ако предпазителите, капаците, съда за събиране на отпадъци или други предпазни приспособления не са на мястото си и ако не са в добро състояние.
- Ако в процеса на раздробяване се вдига прах, носете подходяща защитна маска, за да предотвратите наранявания на дихателните пътища.
- Не премествайте и не транспортирайте продукта, докато моторът работи.
- Спрете продукта и го изключете от захранването. Уверете се, че всички движещи се части са спрели напълно:
 - преди оставяне на изделието без надзор
 - преди почистване на запушване
 - преди проверка, почистване или профилактика на продукта.
- Не накланяйте продукта, когато моторът е включен.
- Никога не видоизменяйте компоненти от продукта и не използвайте части, които не са препоръчани от RYOBI. Това може да увеличи риска от сериозно нараняване на вас или на други лица.
- Вентилационните отвори винаги трябва да са чисти от отпадъци; в противен случай моторът може да прегрее, а това може да повреди продукта или да увеличи риска от пожар.
- Незабавно спрете продукта и изключете от електрическата мрежа в случай на инцидент или повреда. Не работете с продукта отново, докато той не премине щателна проверка в оторизиран сервизен център.
- Изключете продукта, преди да прикрепите или отстраните съда за събиране на отпадъци.

▲ ПРЕДУПРЕЖДЕНИЕ

Продължителното използване на инструмента може да доведе до наранявания или влошаване. При използване на инструмента за продължителни периоди от време правете чести почивки.

ТРАНСПОРТИРАНЕ И СЪХРАНЕНИЕ

- Почистете старателно продукта, преди да го приберете за съхранение на чисто и сухо място, което е недостъпно за деца.
- Изчакайте продуктът да се охлади достатъчно, преди да го транспортирате или приберете за съхранение.
- Когато транспортирате продукта, го обезопасете така, че да не може да се движи или да падне, защото това може да доведе до евентуални наранявания на хора или повреди по продукта.

ПОДДРЪЖКА

Преди почистване, проверка или обслужване на продукта, го изключете и изчакайте, докато остриетата спрат напълно, изключете електрическото захранване. След като известно време работите с продукта, режещият механизъм ще се нагорещи. Изчакайте уредът да се охлади достатъчно, преди да го почиствате, инспектирате или регулирате.

▲ ПРЕДУПРЕЖДЕНИЕ

Режещите остриета са изключително остри. За да избегнете нараняване, бъдете изключително внимателни при почистване или работа близо до остриетата или във вътрешността на отворения корпус, когато съдът за събиране на отпадъци е отстранен. Винаги носете здрави защитни ръкавици.

- Внимавайте, защото режещият механизъм може да се движи дори при изключено захранване и включен блокиращ превключвател.
- За да се гарантира най-добра производителност на продукта, той трябва да се поддържа чист.



EN
FR
DE
ES
IT
NL
PT
DA
SV
FI
NO
RU
PL
CS
HU
RO
LV
LT
ET
HR
SL
SK
BG
UK
TR

- Винаги почиствайте продукта след всяко използване. Когато е възможно, използвайте твърда четка, за да почистите хранващия и изходящия улей; използвайте суха кърпа за почистване на външните части на продукта.
- Не допускайте материал да изсъхне и да се втвърди върху която и да е повърхност на продукта, особено върху остриетата. Това ще повлияе директно върху качеството на раздробяването.
- Поддържайте чисти от отпадъчни материали хранващия и изходящия улей.
- Проверете дали всички гайки, болтове и винтове (с изключение на регулиращия винт) са здраво затегнати.
- За подмяна или ремонт на повредени и износени части винаги предоставяйте дробилката на квалифицирани техници в оторизиран сервизен център на Ryobi.
- Никога не се опитвайте да заобиколите превключвателите за блокиране на съда за събиране на отпадъци или на предния капак на модула с остриета.

⚠ ПРЕДУПРЕЖДЕНИЕ

В никакъв случай не позволявайте пластмасовите части да влизат в контакт със спирачни течности, нефтени продукти, проникващи масла и т.н. В никакъв случай не използвайте спирачна течност, бензин, разтворители или продукти на петролна основа за почистването ѝ. Повечето пластмаси са чувствителни към различни видове разтворители и може да се повредят при използването на такива.

- Можете да извършвате дейностите по поддръжка, описани в настоящото ръководство. За други ремонтни дейности или консултация потърсете помощ от одобрен сервизен център на RYOBI.

РЕГУЛИРАНЕ НА РЕЖЕЩАТА ПЛАСТИНА

- Продуктът работи оптимално, когато са изпълнени тези стъпки. Преди употреба винаги проверявайте дали остриетата не се допират в режещата пластина.

За оптимална работа винаги оставайте разстояние от 1 мм между остриетата и режещата пластина.

- Ако продуктът не успява да раздроби подадените материали, може да е необходимо регулиране на режещата пластина или наточване на остриетата.
 - С течение на времето остриетата на продукта трябва да бъдат регулирани. Това може да се извърши, като се регулира позицията на режещата пластина, така че тя да влиза в лек контакт с остриетата. Уверете се, че продуктът е включен и работи в нормална посока напред. Регулирането на пластината за обирание на стружки, докато моторът е изключен, може да доведе до сериозни щети по продукта.
- ЗАБЕЛЕЖКА:** Опити за регулиране на режещата пластина трябва да се правят само ако е абсолютно необходимо. Прекалено честото или прекомерно регулиране на пластината за обирание на стружки може да доведе до това продуктът да спре да работи.
- Докато продуктът работи, завъртете копчето за регулиране по посока на часовниковата стрелка.

- Когато чуете звука от контакта между металите или видите тънки алуминиеви стружки в дъното на кутията за раздробени материали, прекратете регулирането и оставете продуктът да работи така в продължение на 30 секунди, докато се наточат остриетата. След края на подострянето, завъртете копчето за регулиране обратно на часовниковата стрелка, докато вече не влиза в контакт с пластината а обирание на стружки, като оставите разстояние от 1 mm.

ЗАБЕЛЕЖКА: За наточването на остриетата е необходим съвсем лек контакт с режещата пластина. Извършвайте всички регулиращи дейности бавно, за да предотвратите повреди по продукта. Прекомерното регулиране на пластината може сериозно да повреди продукта.

НЕПРЕДВИДЕНИ РИСКОВЕ.

Дори когато продуктът се използва по предназначение, е невъзможно напълно



да се ограничи влиянието на определени рискови фактори. Описаните по-долу опасности могат да възникнат по време на работа, като операторът трябва да внимава за избягването на следното:

- Наранявания, причинени от шум
 - Носете антифони и ограничете излагането
- Наранявания, причинени от вдишване на прах и частици
 - Когато е необходимо, носете противопрахова маска с филтър.
- Наранявания, причинени от контакт с режещия механизъм
 - Винаги дръжте незащитените части на тялото си далече от режещия механизъм.

НАМАЛЯВАНЕ НА РИСКА

Известно е, че вибрациите, произвеждани от ръчни инструменти може да предизвикат у някои индивиди заболяване, наречено Синдром на Рейнолд (Raynaud's Syndrome). Симптомите може да включват изтръпване, схващане и избледняване на пръстите, обикновено се забелязват при излагане на студ. Смята се, че наследствените фактори, излагането на студ и влага, диетите, пушенето и някои работни навици допринасят за развитието на тези симптоми. Могат да се вземат някои мерки, които могат да се предприемат от оператора, за да се намалят ефектите от вибрациите:

- Поддържайте телесната температура в студено време. Когато работите с продукта, носете ръкавици, за да поддържате ръцете и китките си топли. Според изследвания главният фактор, допринасящ за развитието на Raynaud's Syndrome, е студеното време.
- Правете упражнения за активизиране на кръвообращението след всеки работен цикъл.
- Редовно излизайте в почивка. Ограничете излагането на вибрации на ден.

При поява на някой от симптомите на

това заболяване, незабавно прекратете употребата на инструмента и посетете лекар.

▲ ПРЕДУПРЕЖДЕНИЕ

Продължителното използване на инструмента може да доведе до наранявания или влошаване. При използване на инструмента за продължителни периоди от време правете чести почивки.

ОПОЗНАЙТЕ ВАШИЯ ПРОДУКТ

Вж. страница 196.

1. Превключвател за стартиране
2. Превключвател за спиране
3. Превключвател за обръщане на посоката
4. Бутон за нулиране на устройството за защита от претоварване
5. Захранваща фуния
6. Ръкохватка
7. Врътка за регулиране на режещата пластина
8. Колело
9. Съд за събиране на отпадъци
10. Защитен превключвател
11. Бутало за материали

ЗАБЕЛЕЖКА: Издърпването на защитния превключвател нагоре след поставянето на съда за събиране на отпадъци в продукта ще активира предпазителя.

РЪКОВОДСТВО ЗА РАЗДРОБЯВАНЕ

За да постигнете най-добри резултати при раздробяването, следвайте указанията в таблицата долу.

МАТЕРИАЛ МЕТОД НА РАЗДРОБЯВАНЕ

Клонки с диаметър до 6 mm.

Подавайте ги в захранващия улей със скорост, която позволява на продукта да ги поема, без да се претоварва.



Големи клони с диаметър до 45 mm. Подкастрете с градински ножици всички странични израстъци по материалите за раздробяване, преди да ги подадете в хранящия улей.

Слама, бурени и храсталаци. Изтръскайте пръстта и камъните от корените им, за да предпазите остриетата от повреда.

Суши клечки и вейки. Поставете ги в купчината за раздробяване накрая, когато планирате да приключите работа с дробилката – те помагат за почистване на влагата и растителните полепи от вътрешната част на продукта и от режещия механизъм.

- Не позволявайте градинските отпадъци да се натрупват, преди да ги раздробите, защото те ще започнат да гният, ще станат прекалено влажни и ще задръстят режещия механизъм. Сухият материал помага за почистване на улея за изхвърляне. Запазете малко сухи клонки за накрая, за да почистят режещия механизъм.
- Редовно наглеждайте големината на купчината раздробени материали.
- Изходът на изходящия улей трябва да е свободен по всяко време, за да се предотвратят запушвания.
- Когато съдът за събиране на отпадъци е пълен, изключете продукта, преди да го изпразните.

⚠ ПРЕДУПРЕЖДЕНИЕ
Не поставяйте ръцете си в изходния улей на дробилката, за да изчистите нарязан материал, докато продуктът е включен или свързан към електрическата мрежа. Остриетата са много остри. Носете здрави предпазни ръкавици и бъдете изключително внимателни, когато прочиствате запушвания по уреда.

⚠ ПРЕДУПРЕЖДЕНИЕ
Когато подавате дълги клони/стебла в уреда, внимавайте за вибрации и камшични движения, тъй като те могат да бъдат поети от оператора. Операторът трябва да носи защитни средства за очите винаги когато работи с продукта.

⚠ ПРЕДУПРЕЖДЕНИЕ
Режещият механизъм е направен така, че да придърпва клонки/стебла в уреда. Не задръжайте влизането на материал за раздробяване, след като веднъж е захванат. Винаги носете ръкавици, за да предотвратите наранявания на кожата, когато подавате материали за раздробяване към продукта.

ЗАБЕЛЕЖКА: Докато настройвате продукта за употреба, се уверете, че е обезопасен, така че да не се преобърне (вж. стр. 197, стъпка 2 - 6).

ЗАБЕЛЕЖКА: При обичайна употреба не изключвайте продукта, докато не излезе целият нарязан материал от модула с остриета. Ако продуктът се изключи твърде бързо, оставащите парчета материал може да задръстят модула с остриета и да блокират мотора при повторното включване на продукта.

СИМВОЛИ НА ПРОДУКТА



Прочетете и осмислете всички указания, преди да започнете работа с продукта; спазвайте всички предупреждения и инструкции за безопасност.



Внимавайте за изхвърлени или летящи обекти. Не допускайте странични наблюдатели, особено деца и домашни животни, на по-малко от 15 м от работната зона.



Опасност – въртящи се остриета. Дръжте крайниците си далече от отворите, докато продуктът работи.





Изключете и извадете щепсела от електрическата мрежа преди профилактика или ако кабелът е повреден.



Носете средства за защита на зрението и слуха.



Не стъпвайте върху уреда.



Изчакайте пълното спиране на всички компоненти на машината, преди да ги докосвате.



Носете здрави ръкавици, пригодени против плъзгане.



Тази машина е в съответствие с нормативната уредба на държавата от ЕС, където е била закупена.



EurAsian знак за съответствие



Украински знак за съответствие



Гарантираното ниво на шум е 102 dB.



Клас II: Защитата от електрически удар се уповава на двойна изолация или подсилена изолация.

Електрическите уреди не трябва да се изхвърлят заедно с битовите отпадъци. Рециклирайте, където има възможност. Обърнете се за съвет по рециклирането към местните власти или разпространителите.



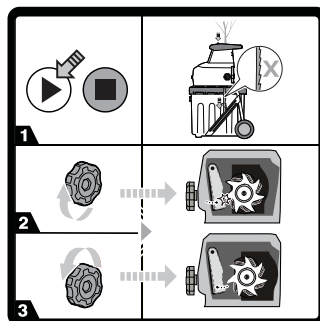
Стартиране



Стоп



Назад



Ако уредът не успява да раздоби подадените материали, може да се наложи регулиране на режещата пластина.

1. Включете продукта.
2. Завъртете копчето за регулиране на пластината за обирание на стружки по посока на часовниковата стрелка, докато не чуете контакт на метал в метал или не видите фини алуминиеви сружки в долната част на съда за събиране на отпадъци.
3. След 30 секунди завъртете копчето обратно на часовниковата стрелка, докато не се образува разстояние от 1 mm между пластината за обирание на стружки и остриетата.

СИМВОЛИ В НАСТОЯЩОТО РЪКОВОДСТВО



Свържете към електрически контакт.



Изключете от електрическия контакт



Частите или принадлежностите се продават отделно



Забележка



Предупреждение



Ключалка



Отключване



Дръжте ръцете си далеч от остриетата.

Следните сигнални думи и значенията им са предназначени да обяснят нивата на опасност, свързани с този продукт.

⚠ ОПАСНОСТ

Указва неминуемо опасна ситуация, която ако не бъде избегната, ще доведе до сериозни наранявания или смърт.

⚠ ПРЕДУПРЕЖДЕНИЕ

Указва потенциално опасна ситуация, която ако не бъде избегната, може да доведе до сериозни наранявания или смърт.

⚠ ВНИМАНИЕ

Указва потенциално опасна ситуация, която ако не бъде избегната, може да доведе до дребни или средни наранявания.

ВНИМАНИЕ

Без предупредителен символ за безопасност

Указва ситуация, която може да доведе до имуществени щети.

ОТСТРАНЯВАНЕ НА ПРОБЛЕМИ

ПРОБЛЕМ	ПРИЧИНА	ДЕЙСТВИЕ
Моторът не работи.	Активирало се е устройството за защита от претоварване.	Изчакайте, докато моторът се охлади, натиснете бутона за нулиране на устройството за защита от претоварване. Включете отново продукта.
	Проблем със захранването	Проверете захранващия кабел, щепсела и електрическия предпазител.
	Съдът за събиране на отпадъци е вкаран в продукта и/или защитният превключвател не е активиран.	Вкарайте съда за събиране на отпадъци и след това дръпнете нагоре защитния превключвател, за да го активирате.
Дробилката не поема подадените материали за раздробяване.	Материалът е заседнал във входната фуния.	Следвайте инструкциите в ръководството, за да почиствате запушвания.
	Подрязващата пластина е прекалено далече от режещия механизъм.	Следвайте инструкциите в ръководството, за да регулирате режещата пластина.

В дизайні електричного безшумного подрібнювача вищий пріоритет наданий безпеці, продуктивності і надійності.

ПЕРЕДБАЧУВАНОМУ ВИКОРИСТАННІ

Електричний безшумний подрібнювач призначений для використання на вулиці користувачем, який стійко стоїть на землі.

Пристрій призначений для подрібнення матеріалів органічного садового сміття, такого як гілки, щіпки та листя.

Пристрій не призначений для неорганічних матеріалів, металів або матеріалів, які перевищують максимальну товщину розрізання з діаметром 45 мм.

Пристрій повинен бути встановлений на станині та з емністю, що постачаються разом. Його не можна встановлювати ніяким іншим способом, ніж показано в цій інструкції.

Не використовуйте для будь-яких інших цілей.

ЗАГАЛЬНІ ПРАВИЛА БЕЗПЕКИ

⚠ Попередження

Цей продукт не призначений для використання дітьми або особами з обмеженими фізичними, психічними або сенсорними можливостями. Хтось, окрім оператора, має весь час наглядати за малими дітьми, щоб не дозволяти їм грати біля виробу або з ним.

⚠ Попередження

При використанні продукту, основні запобіжні заходи повинні дотримуватися, щоб знизити ризик виникнення пожежі, ураження електричним струмом та отримання травм. Прочитайте всі інструкції з техніки безпеки перед початком роботи з продуктом. Переконайтеся, що ви знайомі з управлінням та правильним та безпечним використанням продукту. Будь ласка, збережіть інструкції з безпеки для подальшого використання.

ПІДГОТОВКА

- Перед спробами роботи з виробом ознайомтеся з керівництвом користувача.

- Ніколи не дозволяйте дітям або людям, не знайомим з цими інструкціями, використовувати продукт. Місцеве законодавство може обмежувати вік оператора.
- Оператор або користувач пристрою несе відповідальність за нещасні випадки або небезпеку, що виникають для інших людей або їх майна.

ПІДГОТОВКА

- Ніколи не використовуйте пристрій у присутності сторонніх глядачів, особливо, дітей та тварин.
- Ніколи не використовуйте пристрій у погану погоду або коли виникає ризик блискавки.
- Користуйтеся засобами захисту слуху і захисними окулярами увесь час під час роботи продукту.
- Завжди під час використання пристрою одягайте масивне (нековзне) взуття та довгі штани. Уникайте носити вільний одяг, або з висячими шнурами або зав'язками. Не працюйте з продуктом, коли босоніж або коли у відкритих сандалях.
- Завжди працюйте з виробом на відкритому просторі (напр., не поруч зі стіною або нерухомим об'єктом) на твердій, рівній поверхні.
- Не працюйте з виробом на асфальтованому або гравійному покритті, де викинутий матеріал може привести до травми.
- Перед запуском пристрою, переконайтеся, що всі гвинти, шайби, болти та інші кріплення надійно закріплені та захисні щитки і контейнер для збору на місці. Принесіть продукт в авторизований сервісний центр для заміни пошкоджених або нечитаємих етикеток.
- Перед використанням перевірте дроти живлення і подовжувача на наявність пошкоджень або старіння. Якщо шнур пошкоджений під час використання, негайно вийміть шнур живлення з мережі. Не торкайтеся шнура перед відключенням від подачі. Не використовуйте продукт, якщо шнур пошкоджений або зношений.

ЕЛЕКТРОБЕЗПЕКА

- Читайте і зрозумійте всі інструкції з техніки безпеки перед підключенням пристрою до електромережі.
- Перед вмиканням переконайтеся, що напруга вашого джерела живлення відповідає той, що вказана на табличці. Виробник рекомендує під'єднати до розетки з ПЗВ та з номінальним струмом не більшим ніж 30 МА
- Підключення до будь-якого іншого джерела живлення може спричинити пошкодження.
- Якщо шнур живлення пошкоджений, він повинен бути замінений виробником, його агентом з обслуговування або аналогічним кваліфікованим персоналом для того, щоб уникнути небезпеки.
- Якщо вам потрібно використовувати подовжувач переконайтеся, що він підходить для використання на відкритому повітрі і має поточний рейтинг потужності достатньо для забезпечення вашого продукту. Подовжувач повинен бути відзначений "H05 RN-F" або "H05 VVF". Перевірте його перед кожним використанням на пошкодження; завжди розмотуйте його під час використання, тому що спіральний шнур може перегрітися. Пошкоджені подовжувачі не повинні бути відремонтовані; вони повинні бути замінені еквівалентним типом.
- Тримайте подовжувачі далі від рухомих частин, щоб уникнути їх пошкодження, що може призвести до контакту з деталями під напругою.

ПОПЕРЕДЖЕННЯ З ТЕХНІКИ БЕЗПЕКИ ЩОДО ВИКОРИСТАННЯ ПОДРІБНЮВАЧА

МОНТАЖ

- Під час налаштування пристрою перед використанням переконайтеся, що він надійно закріплений та не перевернеться. *Дивіться сторінку 197.*

ФУНКЦІОНУВАННЯ

- Перед запуском виробу подивіться у подавальну камеру, щоб переконатися, що вона порожня.
- Тримайте обличчя і тіло подалі від впускного отвору подачі.

- Не дозволяйте руки, будь-яку іншу частину тіла або одягу усередину камери подачі, розвантажувального жолоба, або біля рухомої частини.
- Завжди переконайтеся, що вашого засадах. Зберігайте правильну стійку і баланс весь час. Не тягніться. Ніколи не стійте на більш високому рівні, ніж основа даного продукту, коли подаєте сировину в нього. Будьте обережні при використанні пристрою на похилих поверхнях. Ходіть, ніколи не бігайте.
- Завжди стійте сторонам від зони викидання при експлуатації продукту.
- При подачі матеріалу в продукт будьте вкрай обережними, щоб не потрапили шматки металу, каміння, пляшок, банок та інші сторонні предмети.
- Якщо у механізм різання потрапив будь-який сторонній предмет, або якщо пристрій створює будь-який незвичайний шум або вібрацію, вимкніть пристрій і дайте лезу повністю зупинитися. Від'єднайте виріб від джерела живлення та зробіть наступні кроки:
 - перевірити на наявність пошкоджень;
 - перевірити і затягнути послаблені частини;
 - замінити будь-які пошкоджені деталі на оригінальні запасні деталі марки RYOBI або відремонтуйте їх.
- Не давайте обробленому матеріалу збиратись у жолобі видалення так як це може заважати нормальному виведенню або спричинити закупорення і зворотну віддачу матеріалу через вхідний отвір.
- Якщо пристрій засмітився, вимкніть його та зачекайте доки всі частини, що ріжуть повністю зупиняться. Перед видаленням обрізків від'єднайте виріб від джерела живлення.
- Експлуатація пристрою заборонена, якщо захисне приладдя, кришки, смінь для сміття або інші запобіжні пристрої несправні, не на місці, а в неналежному робочому стані.
- Якщо в процесі подрібнення утворюється пил, слід надягати відповідну пилову маску для захисту дихальних шляхів.
- Не переміщайте і не транспортуйте виріб, коли його двигун працює.



- Вимкніть продукт і від'єднайте від джерела живлення. Переконайтеся, що всі рухомі частини зупинилися:
 - до того, як залишити продукт без нагляду
 - перед очищенням закупорення
 - перед перевіркою, очищенням та технічним обслуговуванням пристрою.
- Не нахиляйте пристрій під час роботи двигуна.
- Ніколи не змінюйте деталі або не використовуйте ті деталі, які не рекомендовані RYOBI, це може збільшити ризик отримання серйозної травми для вас та інших.
- Завжди перевіряйте, щоб вентиляційні отвори були вільними від сміття; інакше двигун може перегрітись, що може призвести до пошкодження пристрою або збільшити ризик виникнення пожежі.
- Негайно вимкніть пристрій та від'єднайте його від джерела живлення у випадку аварії або несправності. Не використовуйте прилад знову до проведення його повної перевірки в авторизованому сервісному центрі.
- Вимкніть пристрій перед тим, як прикріпити або зняти ємність для сміття.

⚠ Попередження

Тривале використання інструменту може призвести до травмування або загострення існуючої травми. При використанні приладу протягом тривалого періоду часу, часті перерви.

ТРАНСПОРТУВАННЯ ТА ЗБЕРІГАННЯ

- Переконайтеся, що продукт був ретельно очищений перед зберіганням його в чистому, сухому місці, яке безпечному і в недоступному для дітей місці.
- Дозвольте продукту адекватно охолонути перед зберіганням або транспортуванням.
- Під час транспортування приладу в автомобілі закріпіть його, щоб запобігти його переміщенню чи падінню, оскільки це може призвести до травмування людей або пошкодження самого виробу.

ТЕХНІЧНЕ ОБСЛУГОВУВАННЯ

Перед очищенням, перевіркою або обслуговуванням пристрою, вимкніть його та зачекайте доки всі ріжучі частини повністю зупиняться, від'єднайте від електричної мережі живлення. Через деякий час подрібнення, ріжучий механізм буде нагіватися. Перед чисткою, перевіркою або регулюванням виробу дайте йому достатньо охолонути.

⚠ Попередження

Лопасті різачка дуже гострі. Щоб уникнути травм, необхідно бути надзвичайно обережним під час чищення чи роботи поблизу лез, або усередині відкритого корпусу, коли ємність для сміття знята. Завжди носіть міцні захисні рукавички.

- Пам'ятайте, що ріжучі пристрої можуть обертатися навіть після вимкнення живлення, або якщо задіяно блокуючий перемикач.
- Щоб забезпечити найкращу ефективність пристрою, він має бути чистим.
- Завжди зразу ж після використання очистіть продукт. Скрізь, де можливо, використовуйте жорстку щітку всередині жолобу подачі і випуску і суху тканину на зовні продукту.
- Не дозволяйте матеріалу висихати та затвердіти на будь-якій поверхні пристрою, але особливо на лезах. Це напряму впливає на продуктивність подрібнювання.
- Переконайтеся, що жолоб подачі і викиду чистий і вільний від всіх відходів.
- Переконайтеся, що всі гайки, болти та гвинти (за винятком регулюючого гвинта) затягнуті і зафіксовані.
- Усі пошкоджені чи зношені частини повинні бути відремонтовані чи замінені кваліфікованим персоналом лише в авторизованому сервісному центрі RYOBI.
- Заборонена спроба шунтирувати блокувальний перемикач на ємності для сміття або передній кришці леза.



⚠ Попередження

Завжди уникайте контакту гальмівної рідини, бензину, продуктів на основі бензину або просочувального мастила з пластиковими деталями. Забороняється використовувати для чищення пристрою гальмівну рідину або будь-які розчинники. Більшість пластиків чутливі до різних типів технічних розчинників і можуть бути пошкоджені при їх використанні.

- Ви можете виконати завдання з обслуговування, описані в цьому посібнику. Щодо інших видів ремонту або за порадою зверніться до сервісного центру RYOBI.

РЕГУЛЮВАННЯ РІЖУЧОЇ ПЛАСТИНИ

- Якщо виконати наступні кроки, виріб буде працювати найкращим чином. Перед використанням завжди перевіряйте, щоб леза не контактували з ріжучою пластиною. Для оптимальної роботи підтримуйте зазор 1 мм між лезами та ріжучою пластиною.
- Якщо виріб перестає подрібнювати матеріал, можливо, ріжуча пластина потребує регулювання або потрібно нагострити леза.
- З часом леза виробу потребують регулювання. Це можна виконати шляхом регулювання ріжучої пластини, щоб вона злегка контактувала з лезами. Переконайтеся, що виріб увімкнений і обертається у правильному напрямку вперед. Регулювання ріжучої пластини, коли двигун вимкнений, може призвести до серйозного пошкодження виробу.
ПРИМІТКА: Регулювання ріжучої пластини має проводитись, тільки коли вважається, що це вкрай необхідно. Дуже часто або дуже рідко регулювання ріжучої пластини може призвести до того, що виріб перестає працювати.
- Поки пристрій працює, поверніть регулятор за годинниковою стрілкою.
- Коли ви чуєте звук контакту метала з металом або бачите дрібну алюмінієву стружку на дні контейнера для збору відходів, припиніть регулювання та дайте виробу попрацювати 30 секунд, щоб нагострити леза. Після завершення нагострення, поверніть регулюючу

ручку проти годинникової стрілки, щоб лезо більше не контактувало з ріжучою пластиною, залишивши зазор 1 мм.

ПРИМІТКА: Для нагострювання лез потрібен легкий контакт з ріжучою пластиною. Виконуйте регулювання повільно, щоб запобігти пошкодженню виробу. Перерегульована пластина може призвести до серйозного пошкодження виробу.

НЕПЕРЕДБАЧЕНІ РИЗИКИ

Навіть за належного використання інструмента неможливо повністю нейтралізувати певні фактори залишкового ризику. Наступні небезпеки можуть виникати при використанні продукту та оператору слід звернути особливу увагу, щоб уникнути наступного:

- Підвищений рівень шуму може спричинити пошкодження слуху.
 - Надягайте захист для органів слуху та лімітуйте вплив.
- Травми, викликані вдиханням пилу і частинок
 - При необхідності одягайте респіратор з фільтром.
- Травма, викликана контактом з механізмом різання
 - Завжди тримайте незахищені частини тіла далі від різального механізму.

ЗНИЖЕННЯ РИЗИКУ

Відомі випадки, коли вібрація від ручних інструментів сприяє появі так званого синдрому Рейно. Симптоми схожі на ті, що з'являються під впливом холоду, включаючи поколювання, оніміння та збліднення пальців. Вважається, що спадкові чинники, вплив холоду і сирості, харчування, куріння і деякі звички роботи сприяють розвитку цих симптомів. Можна прийняти деякі заходи, які можуть бути прийняті оператором, щоб зменшити вплив вібрації:

- Підтримувати температуру тіла в холодну погоду. При використанні інструменту надягайте рукавички, щоб тримати руки та зап'ястки у теплі. Згідно з дослідженнями, основний внесок в розвиток синдрому Рейно, є холодна погода.

- Вправа для активації кровообігу після кожного запуску.
- Регулярно йдуть на перерву. Лімітуйте кількість роботи на день.

Якщо ви виявили будь-який з цих симптомів, негайно припиніть використання і зверніться до вашого лікаря згідно цих симптомів.

⚠ Попередження

Тривале використання інструменту може призвести до травмування або загострення існуючої травми. При використанні приладу протягом тривалого періоду часу, часті перерви.

ЗНАЙ СВІЙ ПРОДУКТ

Дивіться сторінку 196.

1. Пусковий вмикач
2. Вимикач
3. Перемикач зворотного ходу
4. Кнопка скидання для захисного перевантаження пристрою
5. Жолоб подачі
6. Ручка
7. Ручка регулювання ріжучої пластини
8. Колесо
9. Ємність для сміття
10. Блокувальний перемикач
11. Матеріал плунжера

ПРИМІТКА: Після того, як ви вставили ємність для сміття, активуйте блокувальний перемикач.

КЕРІВНИЦТВО ДЛЯ ПОДРІБЛЕННЯ

Для отримання найкращих результатів при подрібненні, дотримуйтеся рекомендацій, показаних в таблиці нижче.

МАТЕРІАЛ	МЕТОД ПОДРІБНЕННЯ
Гарості і діаметром до 6 мм.	Подайте в жолоб подачі зі швидкістю, яку продукт буде приймати без перевантаження.
Гілки та до 45 мм в діаметрі.	Підріжте усі сторони гілки секатором перед подачею в жолоб подачі.

Рослини, бур'яни і чагарникові зростання.

Уникайте горбистого ґрунту і каменів від коренів, щоб уникнути пошкодження лопастей.

Сухі палички і гілочки

Додання цього в кінці вашого подрібнення, допоможе очистити вологу і сік з рослин зсередини продукту і ріжучого вузла.

- Не дозволяйте садовим відходам накопичуватися перед знищенням, бо воно почне компостувати, стане занадто сирим і забиватиме ріжучий вузол. Сухий матеріал допоможе очистити більшість матеріалу з викидного жолобу." Збережіть деякі сухі палиці до останнього, щоб допомогти очистити площу леза.
- Часто контролюйте накопичення/збирання подрібненого матеріалу.
- Вихід з розвантажувального жолоба повинен бути чистим увесь час, щоб запобігти засміченню.
- Вимкніть пристрій перед очищенням ємності для сміття.

⚠ Попередження

Не дозволяйте рукам попадати всередину розвантажувального жолобу подрібнювача, для розчищення подрібненого матеріалу у той час як продукт включений або підключений до джерела живлення. Леза дуже гострі. Носіть важкі рукавички і проявляти крайню обережність при чищенні та очистці завалів.

⚠ Попередження

При подачі довгих гілок дерев/стеблів в продукт будьте обережні батога і вібрації, коли матеріал захопиться різакком. Оператор повинен носити захист для очей, коли використовує продукт.

⚠ Попередження

Ріжучий пристрій має тенденцію тягнути гілки/стебла в продукт. Не намагайтеся перешкоджати введенню матеріалу, коли подача почалась. Завжди носіть рукавички, щоб запобігти розривам шкіри при подачі матеріалу в продукт.

ПРИМІТКА: Під час налаштування пристрою перед використанням переконайтеся, що він надійно закріплений та не перевернеться (див. стор. 197, крок 2 - 6).

ПРИМІТКА: У нормальному режимі роботи не вимикайте пристрій, доки весь матеріал не розщепить. Якщо пристрій вимкнений занадто швидко, залишкові шматки матеріалу можуть забити леза та зупинити двигун, коли пристрій знову увімкнеться.

СИМВОЛИ НА ПРОДУКТ



Читайте і зрозумійте всі інструкції перед експлуатацією виробу, дотримуйтеся всіх вказівок і попереджень з техніки безпеки.



Остерігайтеся кинутих або літаючих об'єктів. Тримайте всіх перехожих, особливо дітей і домашніх тварин, принаймні 15 м від робочої зони.



Небезпека - обертіві лопасті. Тримайте руки і ноги подалі від отворів у той час як продукт працює.



Вимкніть і вийміть штепсель з мережі перед технічним обслуговуванням або якщо шнур пошкоджений.



Носіть захист очей і вух.



Не використовуйте в якості сходин.



stop



Зачекайте, поки всі компоненти машини повністю не зупиняться перед тим, як торкатися їх.

Носіть неслизькі, надміцні рукавички.



Відповідає всім нормативним стандартам в країнах ЄС, де виріб було придбано.



Євразійська знак відповідності.



001

Український знак відповідності



Гарантований рівень звукової потужності 102 дБ.



Клас II: Захист від ураження електричним струмом завдяки подвійній або посиленій ізоляції.



Не викидати відпрацьовані електричні прилади разом із побутовими відходами. Утилізувати у спеціально призначених закладах. За консультацією по утилізації приладу зверніться до органу місцевої влади або дилеру.



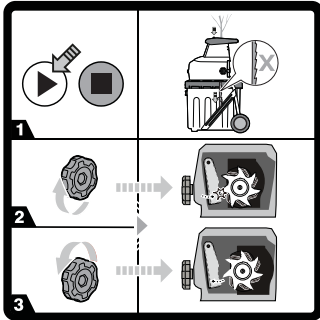
Пуск



Стоп








Реверс



Якщо виріб перестає подрібнювати матеріал, можливо, ріжуча пластина потребує регулювання.

1. Увімкніть виріб.
2. Поверніть ручку регулювання ріжучої пластини за годинниковою стрілкою, доки не почуєте звук контакту металу з металом або не побачите тонкої алюмінієвої стружки на дні ємності для збору сміття.
3. Через 30 секунд поверніть ручку проти годинникової стрілки, доки між ріжучою пластиною та лезом з'явиться просвіт 1 мм.

СИМВОЛИ В ЦЬОМУ ПОСІБНИКУ

-  Підключення до електричної розетки.
-  Відключення від електричної розетки.
-  Запчастини та аксесуари, що продаються окремо
-  ПРИМІТКА
-  Попередження
-  Блокувати
-  Розблокувати
-  Тримайте руки подалі від лез

Наступні сигнальні слова і змісти призначені для пояснення рівнів ризику, пов'язаних з продуктом.

⚠ НЕБЕЗПЕКА

Вказує на неминуче небезпечну ситуацію, яка, якщо її не уникнути, може призвести до смерті або серйозних травм.

⚠ Попередження

Вказує на потенційно небезпечну ситуацію, яка, якщо її не уникнути, може призвести до смерті або серйозних травм.

⚠ УВАГА

Вказує на потенційно небезпечну ситуацію, яка, якщо її не уникнути, може призвести до легкої або середньої травми.

УВАГА

Без попереджуючих символів
Вказує на ситуацію, яка може призвести до пошкодження майна.

ПОШУК І УСУНЕННЯ НЕСПРАВНОСТЕЙ

ПРОБЛЕМА	ПРИЧИНА	ДІЯ
Двигун не запускається.	Пристрій оздоблений засобом захисту від перевантаження.	Зачекайте, поки двигун охолоне, натисніть кнопку скидання для перевантаження пристрою. Увімкніть пристрій знову.
	Збій подачі живлення	Перевірте кабель живлення, штепсель та кожух запобіжника.
	Ємність для сміття не вставлена у пристрій / або блокувальний перемикач не активований.	Вставте ємність для сміття, а потім активуйте блокувальний перемикач.
Матеріал, що подрібнюється, не втягується.	Матеріал защемлено в завантажувальній воронці	Щоб видалити перешкоди, слідуйте інструкціям у керівництві.
	Ріжуча пластина дуже далеко від ріжучих засобів.	Щоб відрегулювати ріжучу пластину, слідуйте інструкціям у керівництві.

Elektrikli sessiz parçalama makinesinin tasarımında güvenlik, performans ve güvenilirliğe en yüksek öncelik verilmiştir.

KULLANIM AMACI

Elektrikli sessiz parçalama makinesi, dış mekanda ayakta duran bir operatör tarafından sabit pozisyonda kullanıma yöneliktir.

Ürün, dallar, ince dallar ve yeşillikler gibi organik bahçe atık materyallerini azaltmak için tasarlanmıştır.

Ürün organik olmayan maddeler, metaller veya çapı maksimum kesme kapasitesi olan 45 mm'den büyük herhangi bir madde için uygun değildir.

Ürünün tedarik edilen ayak üzerine monte edilmeli ve tedarik edilen toplama kutusuyla kullanılmalıdır. Bu kılavuzda açıklanan ve gösterilenden başka bir şekilde monte edilmesi uygun değildir.

Başka herhangi bir amaçla kullanmayın.

GENEL GÜVENLİK KURALLARI

⚠ UYARI

Bu ürün çocuklar veya fiziksel, zihinsel veya duyuşsal becerileri kısıtlı kişiler tarafından kullanıma uygun değildir. Ürünün yakınında veya ürünle oynamalarını önlemek için küçük çocukların kullanıcı dışında biri tarafından gözetilmesi gerekir.

⚠ UYARI

Ürünü kullanırken yangın, elektrik çarpması ve fiziksel yaralanma riskini azaltmak için temel güvenlik önlemlerine uyulmalıdır. Ürünü kullanmadan önce bu güvenlik talimatlarının hepsini dikkatlice okuyun. Kontrolleri ve ürünün doğru ve güvenli kullanımını bildiğinizden emin olun. Lütfen bu talimatları daha sonra kullanmak üzere güvenli bir yerde saklayın.

EĞİTİM

- Ürünü çalıştırmayı denemeden önce kullanım kılavuzunu okuyun.
- Hiçbir zaman çocukların veya bu talimatları bilmeyen kişilerin ürünü kullanmasına izin vermeyin. Yerel yönetmelikler kullanıcının yaşına kısıtlama getirebilir.

- Kazalardan ve diğer insanlara veya mallarına zarar verebilecek tehlikelerden kullanıcının sorumlu olduğunu unutmayın.

HAZIRLIK

- Ürünü asla etrafınızdaki insanların, özellikle de çocukların yakınında çalıştırmayın.
- Ürünü kötü havada ya da yıldırım riski olan durumlarda asla kullanmayın.
- Ürünü kullanırken her zaman kulak tıkacı ve güvenlik gözlüğü takın.
- Ürünü çalıştırırken her zaman özel (kaymaz) ayakkabı ve uzun pantolon giyin. Üzerinize bol olan veya iplerin veya bağcıkların sarktığı kıyafetler giymekten kaçının. Ürünü çıplak ayakla veya üstü açık terlik giyerken kullanmayın.
- Ürünü yalnızca açık bir alanda (bir duvara veya sabit nesneye yakın olmayan) ve sert, düz bir yüzeyde kullanın.
- Ürünü fırlatan maddelerin yaralanmaya neden olabileceği asfalt kaplı veya çakıllı bir yüzeyde kullanmayın.
- Ürünü çalıştırmadan önce, tüm vidaların, somunların, civataların ve diğer bağlantı parçalarının düzgün bir şekilde sabitlendiğinden ve kılavuzlarla toplama kutusunun yerinde olduğundan emin olun. Zarar görmüş veya okunmaz durumdaki etiketleri değiştirmek için yetkili bir servis merkezine gönderin.
- Kullanmadan önce besleme ve uzatma kablosunu hasar veya eskime belirtilerine karşı kontrol edin. Eğer kablo kullanım sırasında zarar görürse kabloyu derhal güç kaynağından ayırın. Güç kaynağını ayırmadan önce kabloya dokunmayın. Eğer kablo zarar görmüş veya aşınmışsa ürünü kullanmayın.

ELEKTRİKSEL GÜVENLİK

- Ürünü şebeke beslemesine bağlamadan önce tüm güvenlik talimatlarını okuyun ve anlayın.
- Çalıştırmadan önce, elektrik kaynağınızın voltajının anma değeri plakasında gösterilenle aynı olduğundan emin olun. Üretici ürünü kesme akımı 30 mA'dan fazla olmayan bir kaçak akım rölesince korunan bir prize bağlamanızı tavsiye eder.
- Ürünü başka bir güç kaynağına bağlamak yaralanmaya veya hasara neden olabilir.

- Elektrik kablosu hasarlıysa, bir tehlikeyi önlemek için üretici, servis yetkilisi veya benzer bir yetkili kişi tarafından değiştirilmelidir.
- Uzatma kablosu kullanmak zorunda kalırsanız dış mekan kullanımına uygun ve ürününüzü destekleyecek akım kapasitesi derecelendirmesine sahip olduğundan emin olun. Uzatma kablosu "H05 RN F" veya "H05 VV F" olarak işaretlenmiş olmalıdır. Her kullanımdan önce hasara karşı kontrol edin; sarılı kablolar aşırı ısınabileceğinden kullanım sırasında her zaman kabloyu açın. Zarar görmüş uzatma kabloları onarılmamalıdır, muadiliyle değiştirilmesi gerekir.
- Kablolarda akımlı bölümlerle temasa yol açabilecek hasarları önlemek için uzatma kablolarını tehlikeli hareketli aksamdan uzak tutun.

PARÇALAMA MAKİNESİ GÜVENLİK UYARILARI

MONTAJ

- Ürünü kullanım için kurarken, ürünün devrilmemesi için sabitlendiğinden emin olun. *Bkz. sayfa 197.*

KULLANİM

- Ürünü çalıştırmadan önce besleme bölmesinin boş olduğundan emin olun.
- Yüzünüzü ve vücudunuzu besleme girişinden uzak tutun.
- Ellerinizi, herhangi bir uzvunuzu veya kıyafetlerinizi besleme bölmesine, boşaltma kanalına sokmayın veya herhangi bir hareketli parçaya yaklaştırmayın.
- Her zaman bastığınız yere dikkat edin. Yere sağlam basın ve dengeyi her zaman koruyun. Yukarıya doğru erişmeye çalışmayın. Malzeme beslemesi yaparken hiçbir zaman ürünün tabanından daha yüksek bir seviyede durmayın. Ürünü eğimli yerlerde kullanırken dikkatli olun. Yürüyün, hiçbir zaman koşmayın.
- Ürünü kullanırken her zaman boşaltma bölgesinden uzakta durun.
- Ürüne malzeme beslemesi yaparken metal parçaların, taşların, şişelerin, teneke kutuların veya diğer yabancı nesnelerin içine yerleştirilmemesine çok dikkat edin.
- Kesme mekanizması herhangi bir yabancı

nesneye çarparsa veya ürün olağandışı bir ses veya titreşim yapmaya başlarsa, ürünü kapatın ve kesicilerin tamamen durmasına izin verin. Ürünü elektrik kaynağından çıkartın ve aşağıdaki adımları uygulayın:

- Hasara karşı kontrol edin;
- Herhangi bir gevşek parçaya karşı kontrol edin ve sıkın;
- Herhangi bir hasarlı parçayı aynı teknik özelliklere sahip RYOBI parçalarla değiştirtin veya onartın.
- İşlenmiş materyallerin atma kanalında birikmesine izin vermeyin, bu uygun boşaltımı veya blokajı engelleyebilir ve besleme giriş açıklığından materyalin geri atılmasıyla sonuçlanabilir.
- Üründe tıkanma olursa, ürünü kapatın ve kesicilerin tamamen durmasını bekleyin. Birikintileri temizlemeden önce ürünü elektrik kaynağından çıkartın.
- Kılavuzlar, kapaklar, toplama kutusu veya diğer emniyet cihazları kusurluysa, yerlerinde değilse veya iyi çalışmıyorsa, ürünü asla çalıştırmayın.
- Eğer öğütme işlemi nedeniyle toz oluşursa solunum yolu yaralanmalarını önlemek için uygun bir toz maskesi takın.
- Motor çalışırken ürünü hareket ettirmeyin veya taşımayın.
- Ürünü kapatın ve güç kaynağından ayırın. Tüm hareketli parçaların tamamen durduğundan emin olun:
 - ürünün yanından ayrılmadan önce
 - tıkanıklığı temizlemeden önce
 - ürünü kontrol etme, temizleme ve bakımını yapmadan önce.
- Ürünü motor çalışırken eğmeyin.
- Ürünün bölümlerinde asla değişiklik yapmayın veya RYOBI tarafından önerilmeyen parçaları kullanmayın. Bu kendinize ve diğerlerine ciddi zarar verme riskinizi arttırabilir.
- Havalandırma açıklıklarının tortulardan temizlenmiş olduğundan emin olun, aksi takdirde motor aşırı ısınarak ürüne zarar verebilir veya yangın riskini arttırabilir.
- Bir kaza ya da arıza halinde ürünü derhal durdurun ve güç kaynağıyla bağlantısını kesin. Yetkili servis merkezi tarafından kontrol edilene dek ürünü tekrar çalıştırmayın.

- Toplama kutusunu takmadan veya çıkartmadan önce ürünü kapatın.

⚠ UYARI

Ürünün uzun süre kullanılması nedeniyle yaralanmalar meydana gelebilir veya kötüleşebilir. Herhangi bir alet uzun süre kullanıldığında düzenli molalar verdiğinizden emin olun.

TAŞIMA VE DEPOLAMA

- Güvenli ve çocukların erişemeyeceği temiz, kuru bir yerde depolamadan önce ürünün iyice temizlendiğinden emin olun.
- Depolamadan veya taşımadan önce ürünün uygun şekilde soğumasını bekleyin.
- Taşınacağı zaman insanların yaralanmasını veya ürünün zarar görmesini önlemek amacıyla ürünü hareket etmemesi veya düşmemesi için sabitleyin.

BAKİM

Ürünü temizlemeden, incelemeyen veya servise almadan önce, kapatın ve tüm kesicilerin tamamen durmasını bekleyin, elektrik kaynağından çıkartın. Bir süre öğüttükten sonra kesme mekanizması ısınacaktır. Temizlemeden, incelemeyen veya ayarlamadan önce yeterince soğumasını bekleyin.

⚠ UYARI

Kesme bıçakları son derece keskindir. Yaralanmaları önlemek için, bıçakları temizler ya da yakınlarında veya toplama kutusu çıkarıldığında açık muhafazanın içinde çalışırken büyük dikkat ve özen gösterin. Her zaman ağır işe uygun koruyucu eldiven takın.

- Kesme araçlarının güç kapalıyken veya kilitleme anahtarı takılıyken bile hareket edebileceğini dikkate alın.
- En iyi performansı elde etmek için ürün her zaman temiz tutulmalıdır.
- Kullandıktan sonra ürünü her zaman temizleyin. Mümkün olduğunda besleme ve boşaltma kanallarının içinde sert bir fırça ve ürünün dış kısmında bir bez kullanın.
- Optimum öğütme performansı için

herhangi bir malzemenin ürünün herhangi bir yüzeyinde, özellikle bıçaklar üzerinde kuruyup sertleşmesini önleyin. Bu parçalama performansını doğrudan etkiler.

- Besleme kanalının ve boşaltma kanalının temiz ve tüm atık malzemelerden arındırılmış hâlde tutulduğundan emin olun.
- Tüm somunların, civataların ve vidaların (ayar vidası hariç) sıkılmış ve sağlam olduğundan emin olun.
- Hasarlı veya aşınmış parçaları her zaman yetkili bir servis merkezindeki nitelikli personele onartın.
- Toplama kutusunun veya kesme grubunun ön kapağının üzerindeki kilitleme anahtarlarını devre dışı bırakmayı asla denemeyin.

⚠ UYARI

Fren sıvılarının, benzinin, petrol bazlı ürünlerin, nüfuz edici yağın vb. hiçbir zaman plastik parçalarla temas etmesine izin vermeyin. Makineyi temizlemek için hiçbir zaman fren sıvısı, petrol, petrol bazlı ürünler veya çözücüler kullanmayın. Plastik parçaların büyük bölümü çeşitli tipte ticari çözücülerden kaynaklı hasara duyarlıdır ve kullanılmaları nedeniyle zarar görebilir.

- Bakım çalışmalarını bu kılavuzda açıklandığı şekilde gerçekleştirebilirsiniz. Başka onarım veya tavsiyeler için yetkili Ryobi servis merkezinden destek alın.

TIRAŞLAMA PLAKASININ AYARLANMASI

- Aşağıdaki adımlar uygulandığında ürün en iyi performansını gösterir. Kullanmadan önce, bıçakların tıraşlama plakasına temas edip etmediğini kontrol edin. Optimum performans için bıçaklarla tıraşlama plakası arasındaki 1 mm açıklığı koruyun.
- Ürün materyali parçalayamazsa, tıraşlama plakasının ayarlanması gerekebilir veya bıçakların bileylemesi gerekebilir.
- Zaman geçtikçe, ürün üzerindeki bıçakların ayarlanması gerekir. Bu, tıraşlama plakasını bıçaklarla hafifçe temas edeceği şekilde ayarlayarak tamamlanabilir. Ürünün açık olduğundan ve normal ileri

yönde çalıştığından emin olun. Tıraşlama plakasını motor kapalıyken ayarlamak ürüne ciddi zarar verebilir.

NOT: Tıraşlama plakası yalnızca tamamen gerekli görüldüğünde ayarlanmalıdır. Tıraşlama plakasını çok sık veya çok fazla ayarlamak ürünün çalışmayı durdurmasına neden olabilir.

- Ürün çalışırken, ayar topuzunu saat yönünde çevirin.
- Metalin metale temas sesini duyduğunuzda veya ince alüminyum tıraşlama plakalarını toplama kabının altında gördüğünüzde, ayarı durdurun ve bıçakları bileylemesi için ürünü 30 saniye boyunca çalıştırın. Bileyleme tamamlandığında tıraşlama plakası ile temas etmeye ve 1 mm boşluk kalana kadar ayar topuzunu saatin tersi yönde çevirin.

NOT: Bıçakların bileylemesi tıraşlama plakası ile çok hafif temas etmeyi gerektirir. Ürüne zarar vermeyi önlemek için her türlü ayarı yavaş bir şekilde tamamlayın. Plakayı fazla ayarlamak ürüne ciddi zararlar verebilir.

ARTIK RİSKLER

Ürün belirtilen şekilde kullanıldığında bile belirli artık risk faktörlerini tamamen ortadan kaldırmak mümkün değildir. Kullanım sırasında aşağıdaki tehlikeler ortaya çıkabilir ve kullanıcının aşağıdaki durumları önlemek için özellikle dikkatli olması gerekir:

- Gürültüye maruz kalma nedeniyle işitme kaybı meydana gelebilir.
 - İşitme koruması kullanın ve maruz kalma süresini kısıtlayın.
- Tozun veya parçacıkların solunması nedeniyle yaralanma
 - Gerekliğinde filtreli toz maskesi takın.
- Kesme mekanizmasıyla temasın neden olduğu yaralanma
 - Korumasız uzuvlarını her zaman kesme aletlerinden uzak tutun.

RİSK AZALTMA

El aletlerinden kaynaklanan titreşimlerin belirli kişilerde Raynaud Sendromu adı verilen bir durumu etkilediği bildirilmiştir. Semptomlar içerisinde parmaklarda genellikle soğuğa maruz kaldığında açığa çıkan karıncalanma, hissizlik ve ağarma yer bulunabilir. Kalıtsal faktörler, soğuğa ve neme maruz kalma, diyet, sigara içme ve çalışma uygulamalarının hepsinin bu semptomların gelişimini etkilediği düşünülmektedir. Titreşim etkilerini azaltmak için kullanıcı tarafından alınabilecek önlemler vardır:

- Soğuk havada vücut ısınızızı koruyun. Ürünü kullanırken ellerinizi ve bileklerinizizi sıcak tutmak için eldiven giyin. Soğuk havanın Raynaud Sendromu'nu etkileyen önemli bir faktör olduğu bildirilmiştir.
- Her kullanım süresinden sonra kan dolaşımını artırmak için egzersiz yapın.
- Sık çalışma molası verin. Günlük maruz kalma miktarını sınırlayın.

Eğer bu durumla ilgili herhangi bir semptom görürseniz çalışmayı derhal bırakın ve doktorunuza başvurun.

⚠ UYARI

Ürünün uzun süre kullanılması nedeniyle yaralanmalar meydana gelebilir veya kötüleşebilir. Herhangi bir alet uzun süre kullanıldığında düzenli molalar verdiğinizden emin olun.

ÜRÜNÜNÜZÜ TANIYIN

Bkz. sayfa 196.

1. Start anahtarı
2. Stop anahtarı
3. Geri anahtarı
4. Aşırı yük koruma cihazı sıfırlama düğmesi
5. Besleme kanalı
6. Kulp
7. Tıraşlama plakası ayar topuzu
8. Tekerlek
9. Toplama kutusu
10. Emniyet anahtarı
11. Malzeme pistonu

NOT: Toplama kutusu ürüne takıldıktan sonra emniyet anahtarının çekilmesi, emniyet anahtarını etkinleştirir.

ÖĞÜTME KILAVUZU

En iyi sonucu elde etmek için aşağıdaki tabloda gösterilen talimatlara uyun.

MALZEME	ÖĞÜTME YÖNTEMİ
Çapı 6 mm'ye kadar olan ince dallar.	Besleme kanalına ürünün aşırı yük meydana gelmeden kabul edeceği bir hızda besleme yapın.
Çapı 45 mm'ye kadar olan dallar.	Besleme kanalına besleme yapmadan önce budama makasıyla tüm yan filizleri kırın.
Tarha elverişli bitkiler, otlar çalıya benzer filizler.	Bıçakların hasar görmesini önlemek için toprağı ve taşları köklerden temizleyin.
Kuru tahta parçaları ve ince dallar	Bunların öğütme çalışmasının sonunda makineye beslenmesi ürünün içindeki ve kesme düzeneğindeki nemin ve bitki özünün giderilmesine yardımcı olacaktır.

- Çürümeye başlayacağı, çok nemleneceği ve kesme düzeneğini tıkayacağı için öğütmeden önce bahçe atığının birikmesini önleyin. Kuru malzeme çoğu malzemenin boşalma kanalından temizlenmesine yardımcı olacaktır. Bıçak bölgesini temizlemeye yardımcı olması için çalışma tamamlanana kadar birkaç adet kuru tahta parçası saklayın.
- Öğütülen malzemenin birikme/toplanma durumunu sık sık izleyin.
- Tıkanıklıkları önlemek için boşaltma kanalının çıkışı her zaman temiz olmalıdır.
- Toplama kutusu dolduğunda, boşaltmadan önce ürünü durdurun.

⚠ UYARI

Ürün çalışır durumdayken ve güç kaynağına bağlıyken parçalanmış malzemeyi temizlemek için elinizi parçalama makinesinin tahliye kanalının içine sokmayın. Bıçaklar keskindir. Tıkanıklıkları temizlerken ve giderirken ağır iş eldiveni takın ve çok dikkatli olun.

⚠ UYARI

Ürüne uzun odunsu dallar/gövdeler beslenirken malzemelerin kesici tarafından yakalanması nedeniyle savrulmaya ve titreşimlere karşı dikkatli olun. Kullanıcı ürünü kullanırken gözlük takmalıdır.

⚠ UYARI

Kesme cihazı dalları/gövdeleri ürüne çekme eğilimindedir. Besleme başlatıldıktan sonra kesilen malzemenin girişini önlemeye çalışmayın. Malzemeyi ürüne beslerken cilt kesiklerini önlemek için her zaman eldiven takın.

NOT: Ürünü kullanım için kurarken, ürünün devrilmemesi için sabitlendiğinden emin olun (bkz. sayfa 197, adım 2 - 6).

NOT: Normal kullanım sırasında, parçalanmış tüm materyal kesme grubundan boşalmadan ürünü durdurmayın. Ürün gerektiğinden çabuk durdurulursa, kalan materyal parçaları bıçak grubunu tıkayabilir ve ürün tekrar çalıştırıldığında motoru stop ettirebilir.

ÜRÜN ÜZERİNDEKİ SEMBOLLER



Ürünü kullanmadan önce tüm talimatları okuyun ve anlayın, tüm uyarılara ve güvenlik talimatlarına uyun.



Fırlayan ve sıçrayan nesnelere dikkat edin. Üçüncü şahısları, özellikle çocukları ve evcil hayvanları çalışma alanından en az 15 m uzakta tutun.



Tehlike - Dönen bıçaklar. Ellerinizi ve ayaklarınızı ürün çalışırken açık kısımlardan uzak tutun.



Bakımdan önce ya da kablunun hasar görmesi durumunda, kapatın ve fişi ana devreden çıkarın.



Koruyucu gözlük ve kulak tıkacı kullanın.



Basamak olarak kullanmayın.



Dokunmadan önce tüm makine bileşenlerinin tamamen durmasını bekleyin.



Kaymaz, ağır iş eldiveni giyin.



Ürünün satın alındığı AB ülkesindeki tüm düzenleyici standartlara uygundur.



EurAsian Uygunluk İşareti



Ukrayna uygunluk işareti.



Güvenceli ses gücü seviyesi 102 dB'dir.



Sınıf II: Elektrik çarpmasından korunma çifte yalıtıma ya da takviyeli yalıtıma dayanır.



Atık elektrikli ürünler evsel atıklarla birlikte atılmamalıdır. Lütfen tesislerin mevcut olduğu yerlerde geri dönüştürün. Geri dönüşüm tavsiyesi için bölgenizdeki yetkili mercie veya satıcıya başvurun.



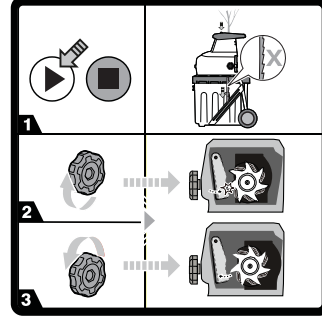
Start



Durdurmak



Ters



Ürün materyali parçalayamazsa, tıraşlama plakasının ayarlanması gerekebilir.

1. Ürünü açın.
2. Tıraşlama plakası ayar topuzunu metalin metale değdiği iştirinceye ya da toplama kutusunun dibinde ince alüminyum talaşları görene kadar saat yönünde çevirin.
3. 30 saniye sonra, ayar topuzunu tıraşlama plakasıyla bıçaklar arasında 1 mm aralık olana kadar saat yönünün aksine çevirin.

BU KILAVUZDAKİ SEMBOLLER



Elektrik fişine bağlayın.



Elektrik fişinden ayırın.



Ayrı satılan parçalar veya aksesuarlar



Not



Uyarı



Kilit



Kilidi açın



Ellerinizi bıçaklardan uzak tutun

Aşağıdaki işaret sözcükler ve anlamları bu ürünle ilişkili risk seviyelerinin açıklanmasına yöneliktir.

⚠ TEHLİKE

Önlenmemesi durumunda ölüm veya ciddi yaralanma ile sonuçlanacak ciddi tehlike içeren bir durumu gösterir.

⚠ UYARI

Önlenmemesi durumunda ölüm veya ciddi yaralanma ile sonuçlanabilecek potansiyel olarak tehlikeli bir durumu gösterir.

⚠ İKAZ

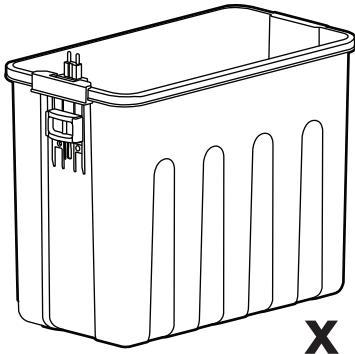
Önlenmemesi durumunda önemsiz veya orta derece yaralanma ile sonuçlanabilecek potansiyel olarak tehlikeli bir durumu gösterir.

İKAZ

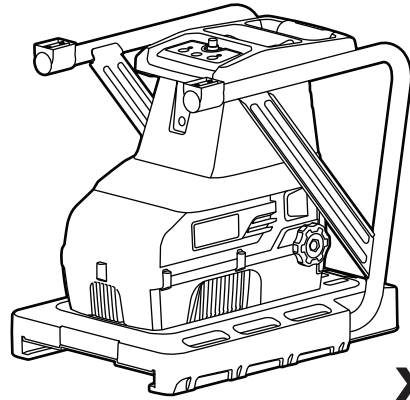
Güvenlik uyarısı sembolü olmadığında Maddi hasarla sonuçlanabilecek bir durumu gösterir.

SORUN GİDERME

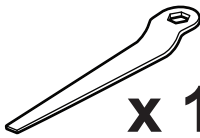
SORUN	NEDENİ	EYLEM
Motor çalışmıyor.	Aşırı yük koruma cihazı devreye girdi	Motorun soğumasını bekleyin, aşırı yük koruma cihazının sıfırla düğmesine basın. Ürünü yeniden çalıştırın.
	Güç kesintisi	Güç kaynağı kablosunu, fişi ve ev sigortasını kontrol edin.
	Toplama kutusu ürüne takılı değil ve/veya emniyet anahtarı devreye alınmamış.	Toplama kutusunu takın, sonra da etkinleştirmek için emniyet anahtarını çekin.
Parçalanmış materyal içeri alınmadı.	Materyal besleme borusuna sıkışmış.	Tıkanıklıkları temizlemek için kılavuzdaki talimatı uygulayın.
	Tıraşlama plakası kesme aracından çok uzak.	Tıraşlama plakası ayarı için kılavuzdaki talimatı uygulayın.



x 1



x 1



x 1



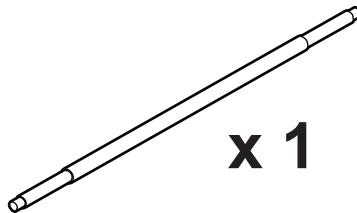
x 2



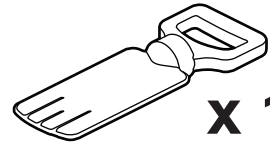
x 2



x 1



x 1



x 1



x 2



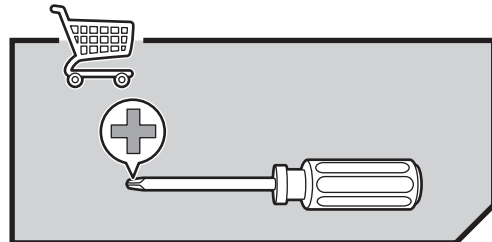
x 2

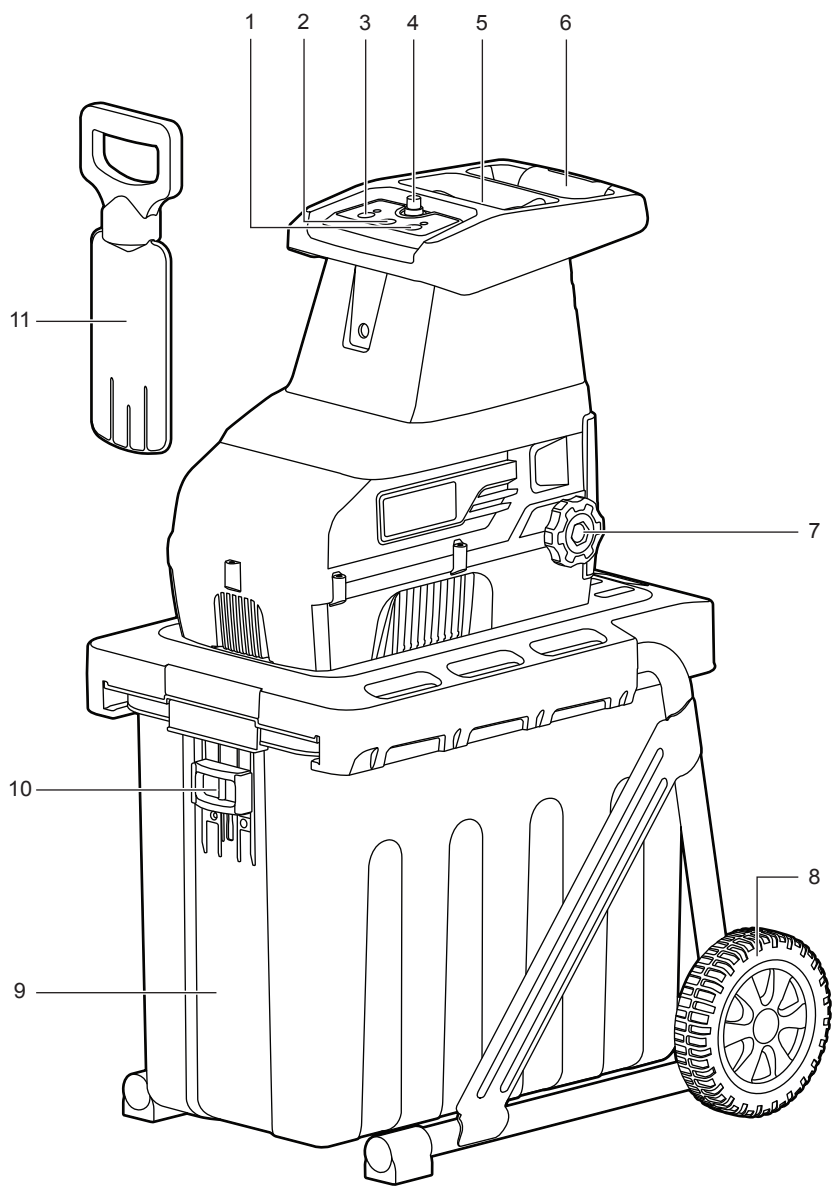


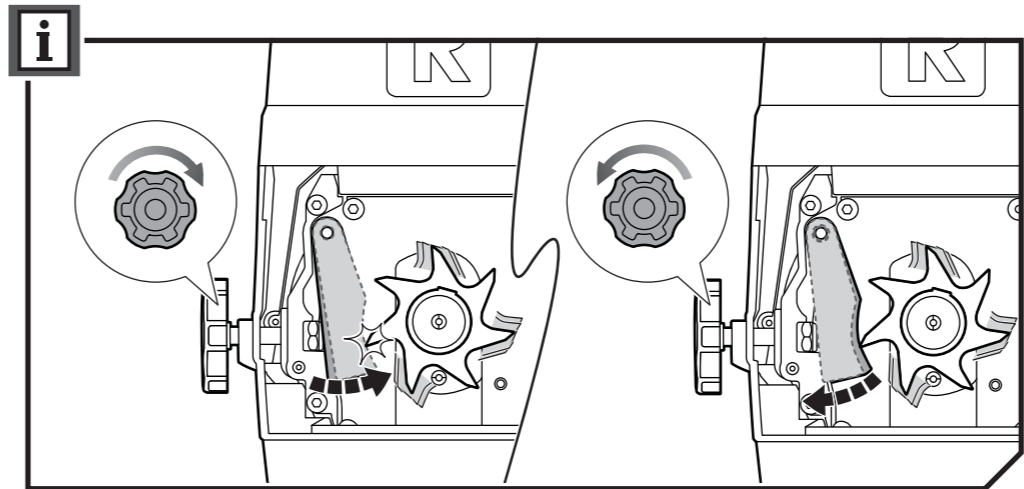
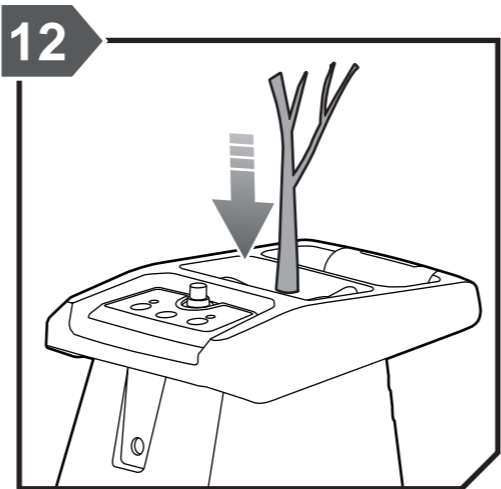
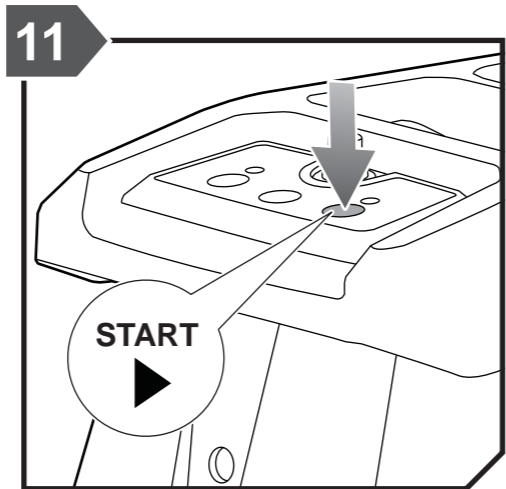
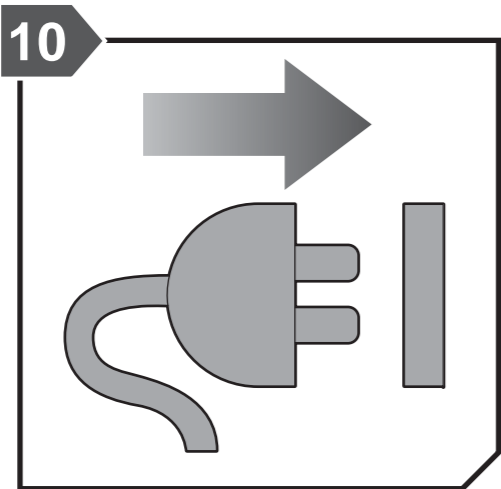
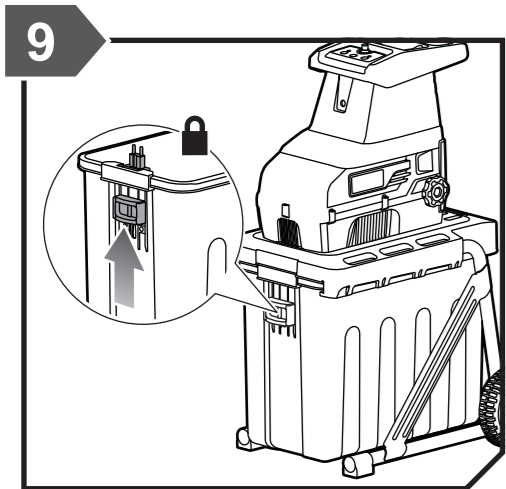
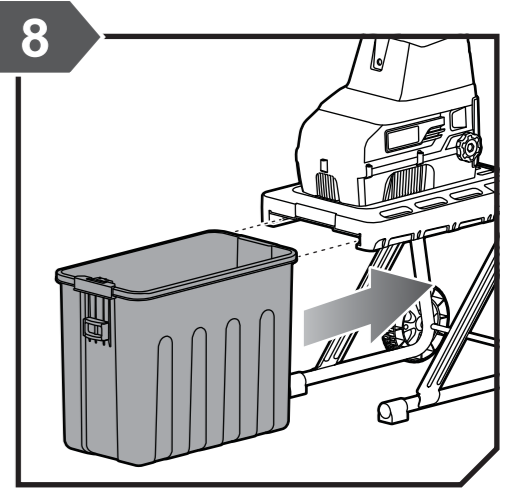
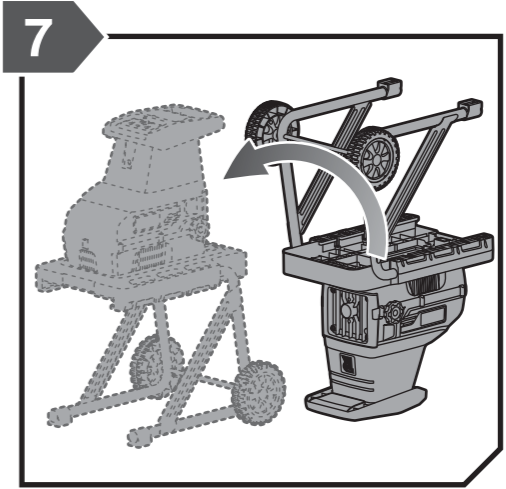
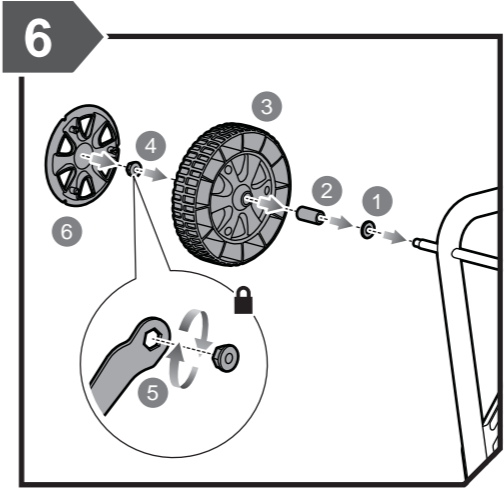
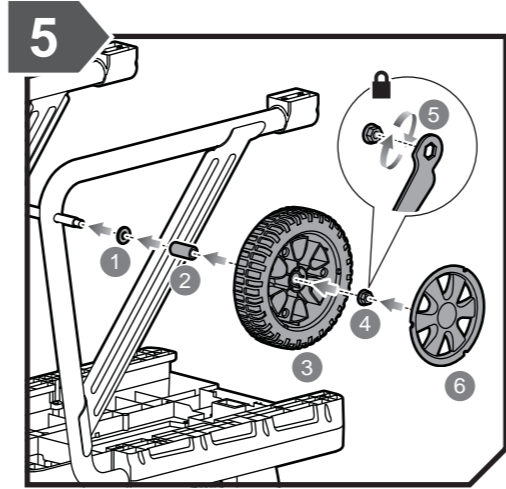
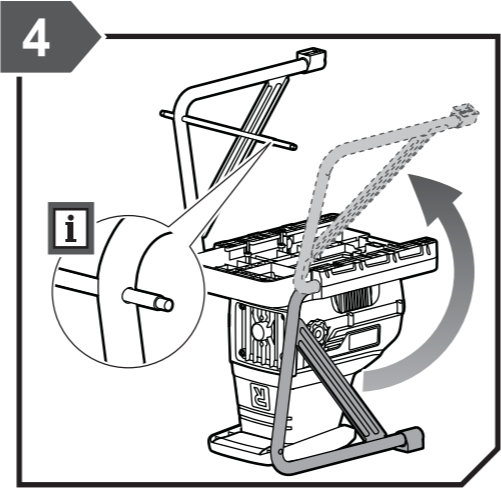
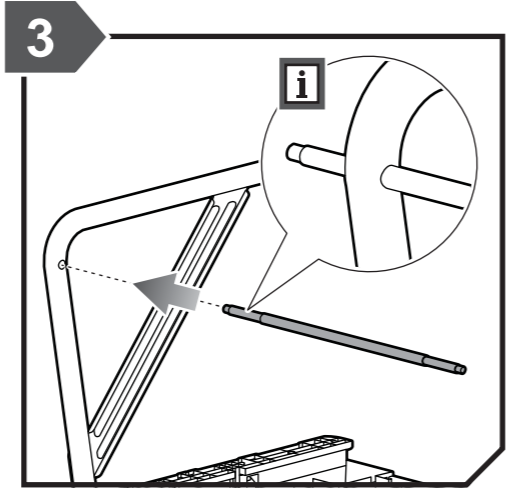
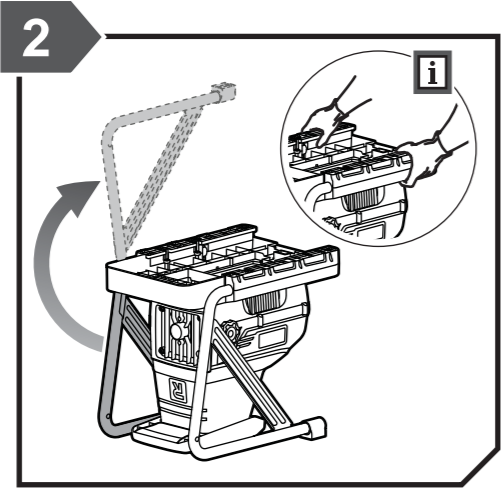
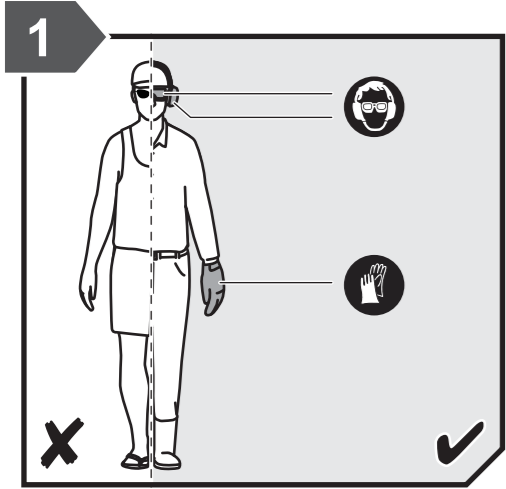
x 1

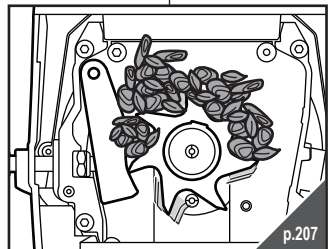
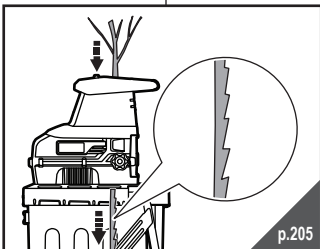
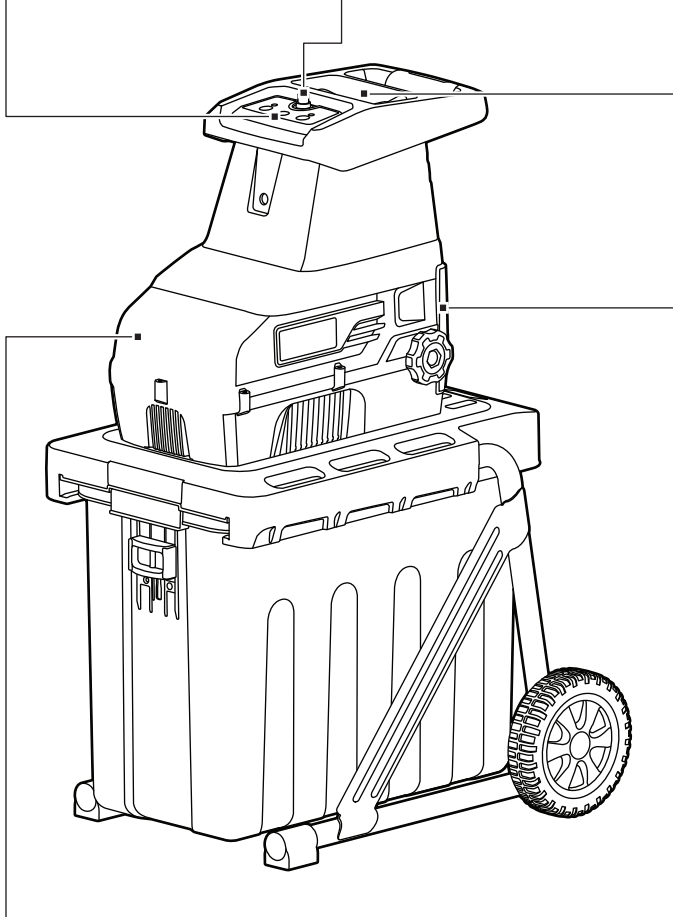
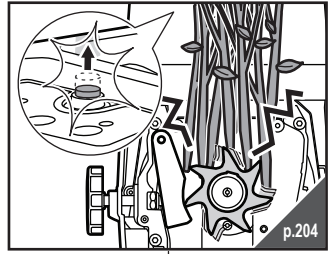
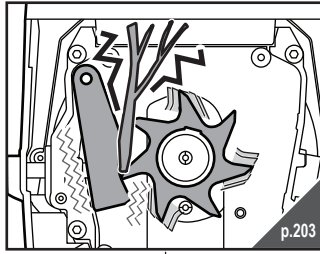
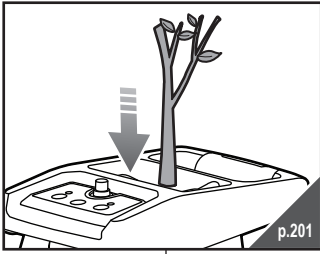


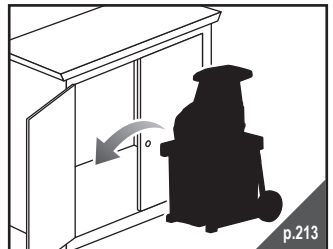
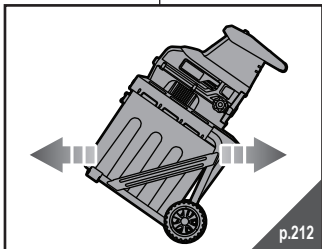
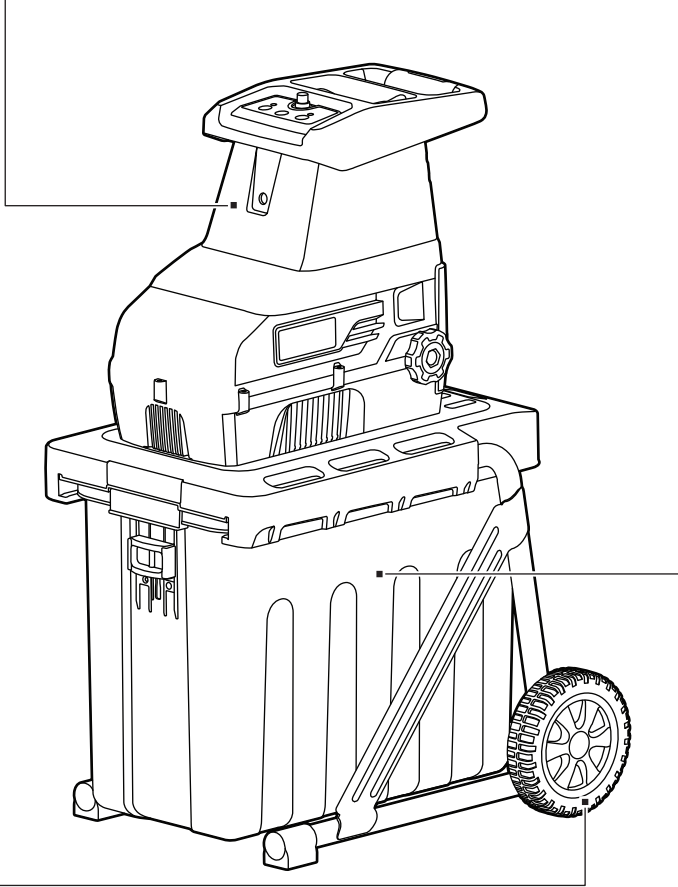
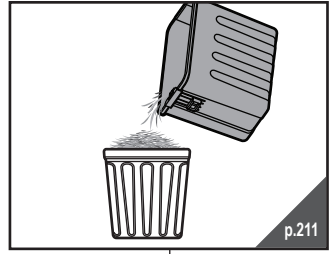
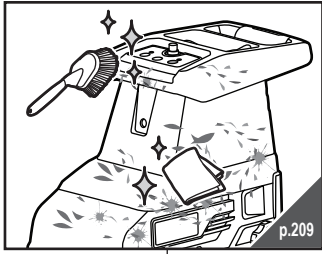
x 2

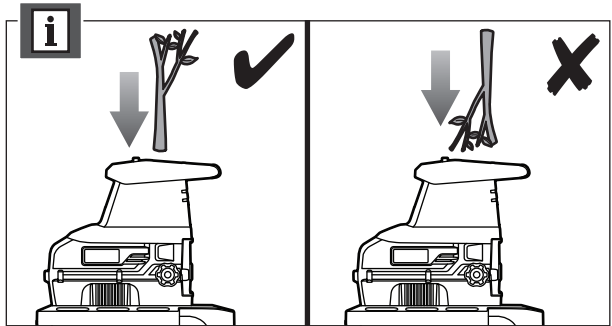
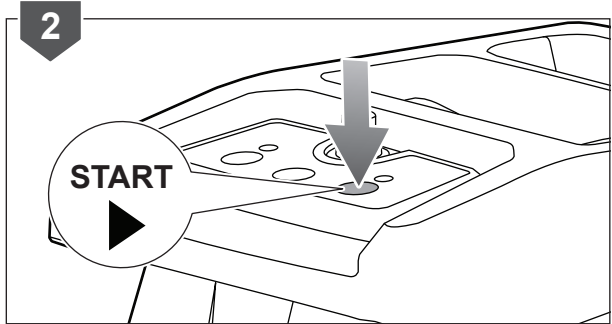
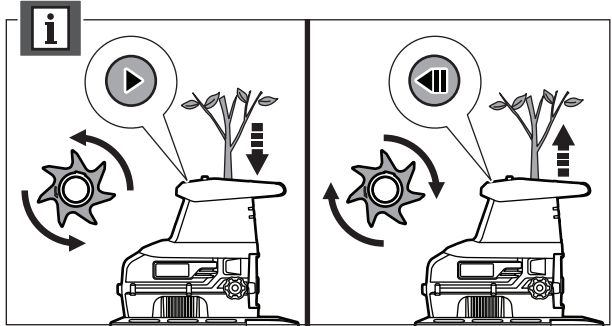
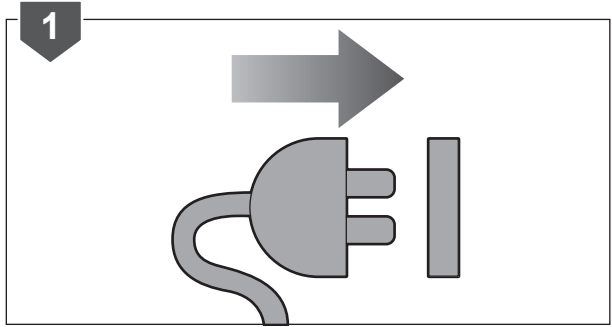
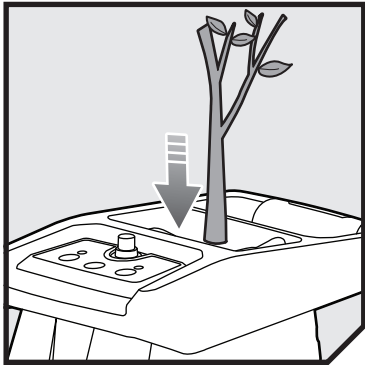


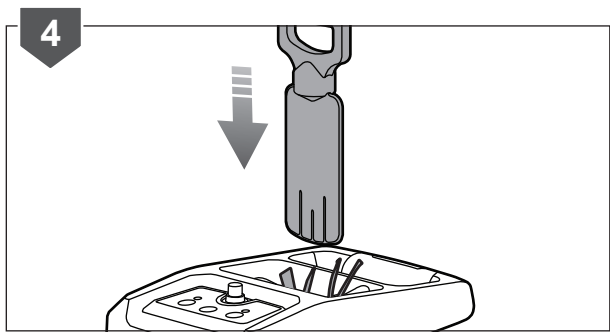
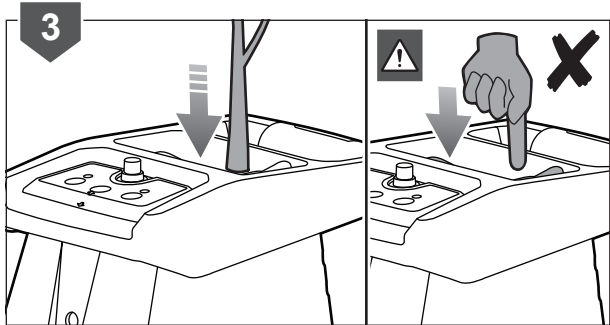
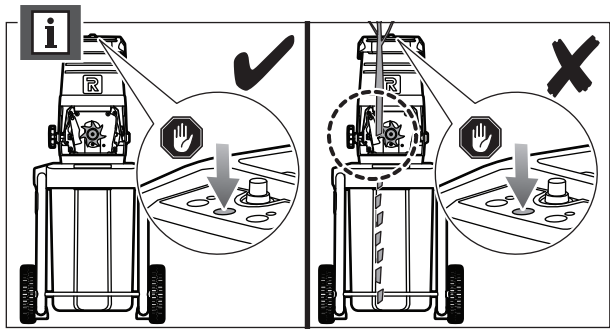


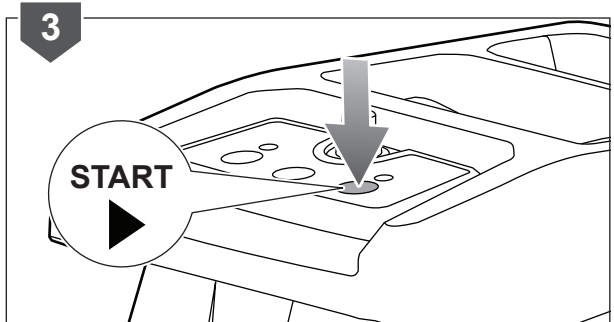
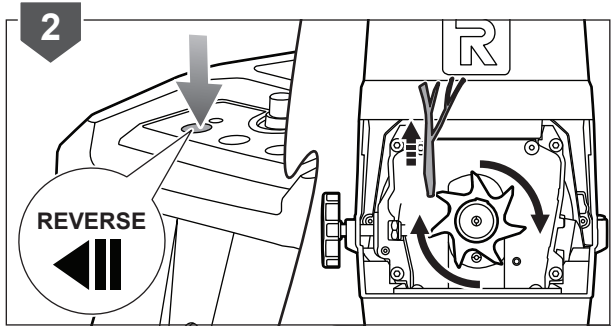
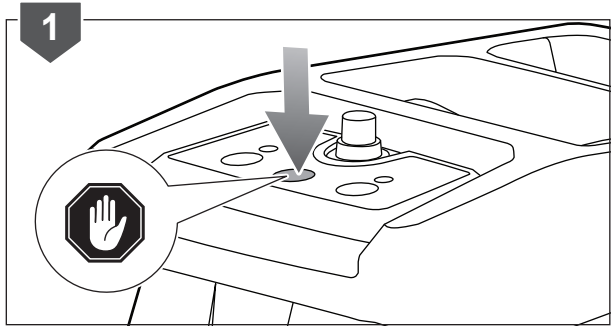
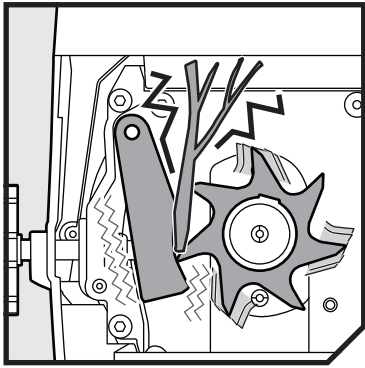


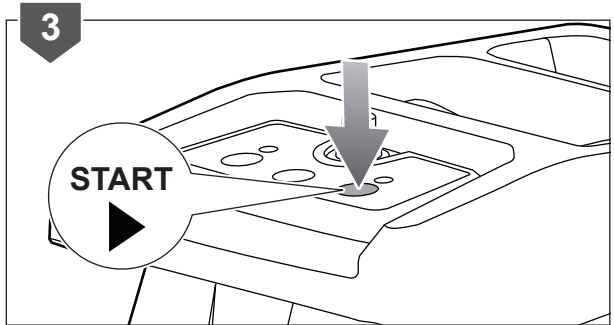
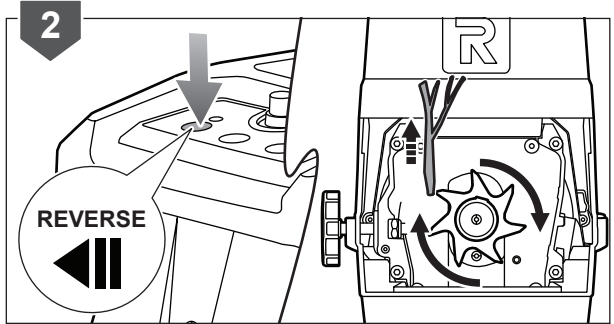
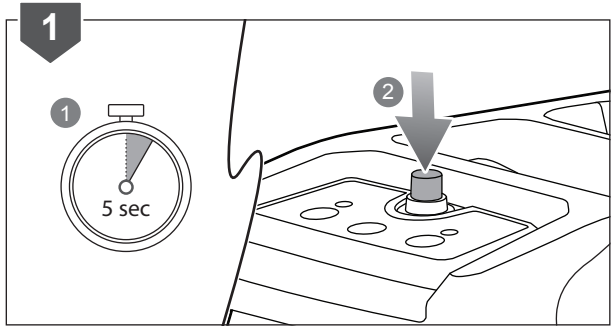
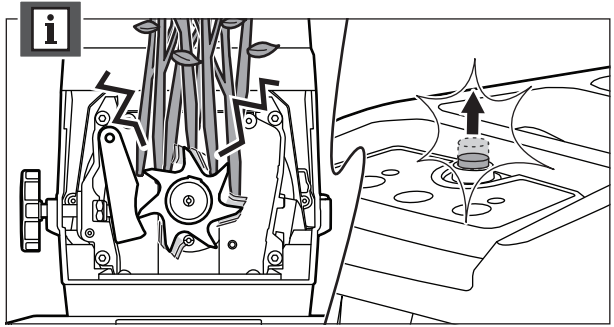
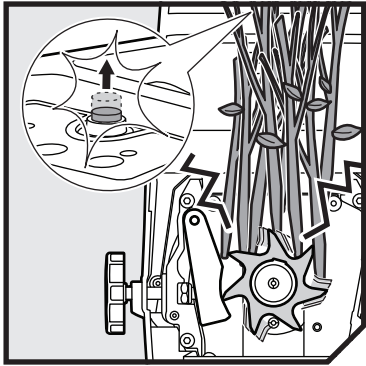


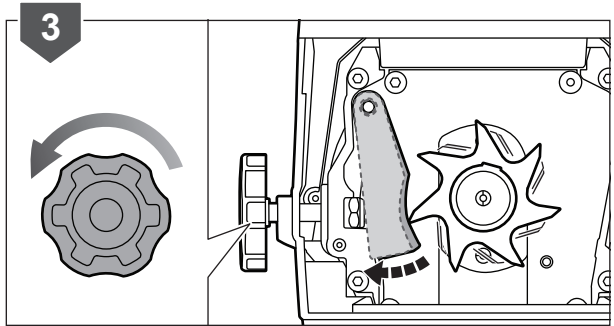
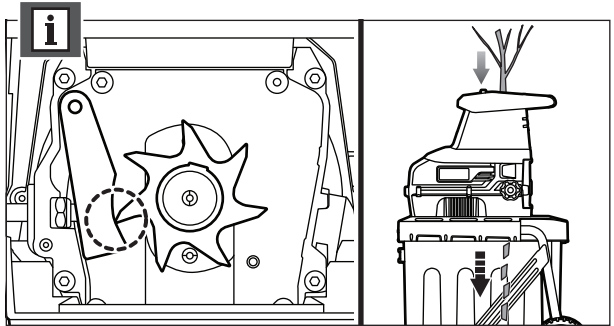
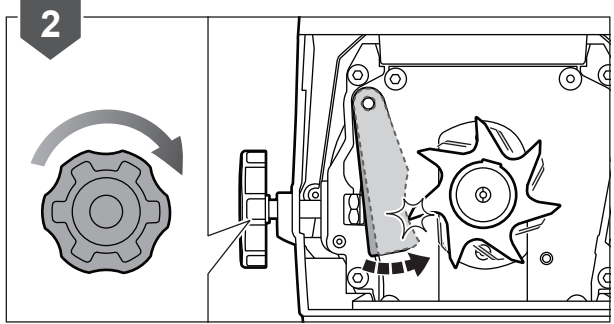
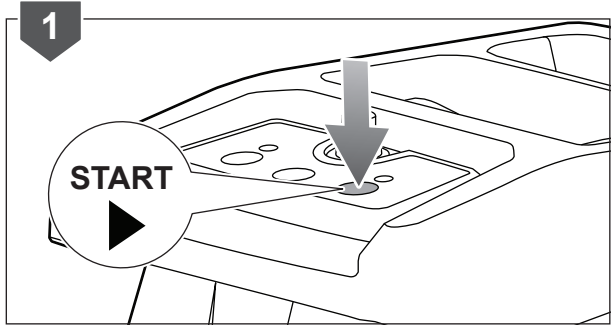
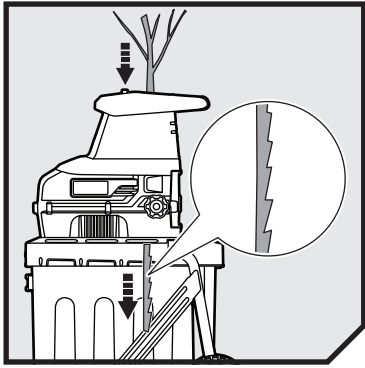


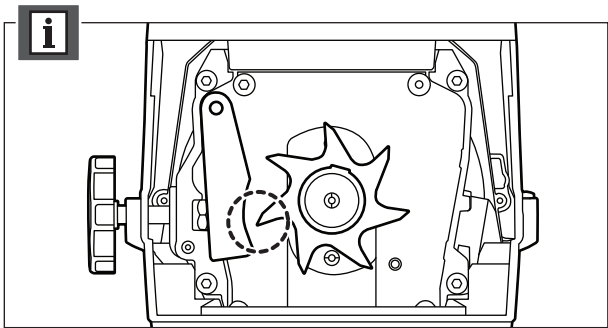


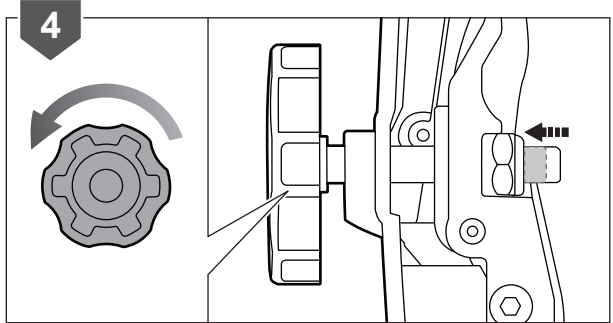
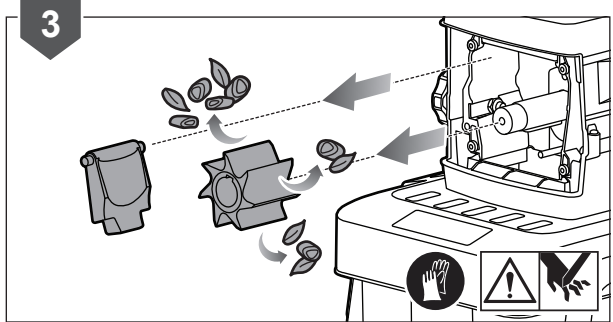
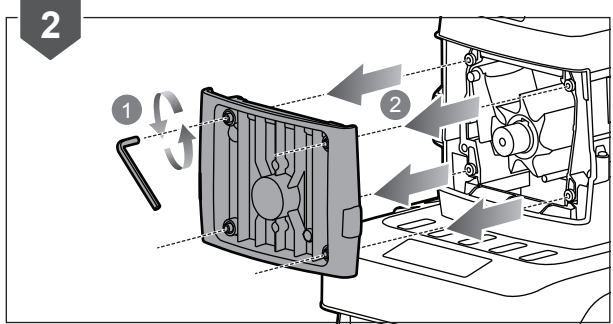
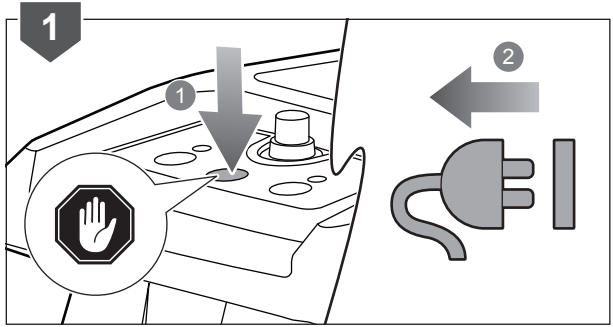
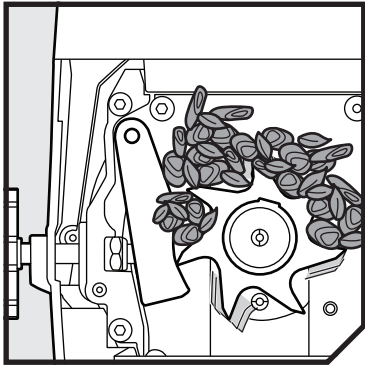


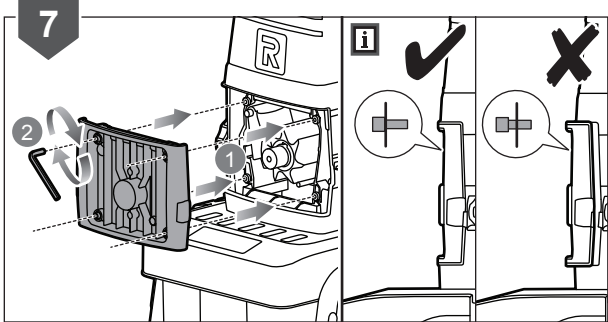
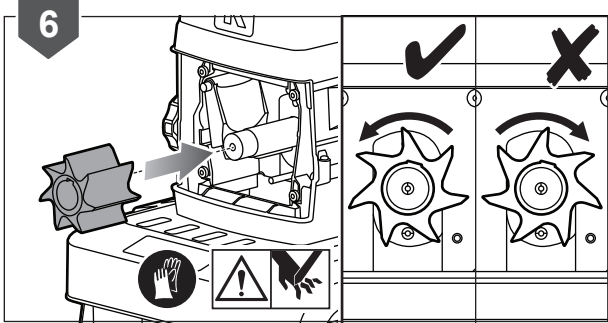
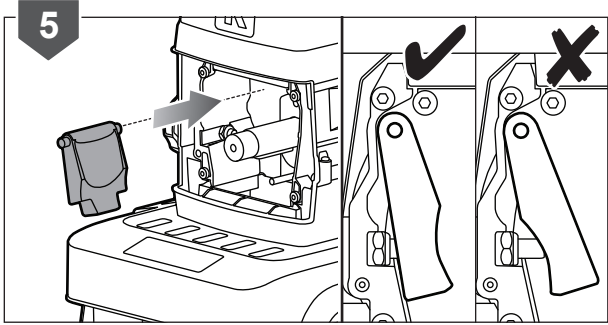


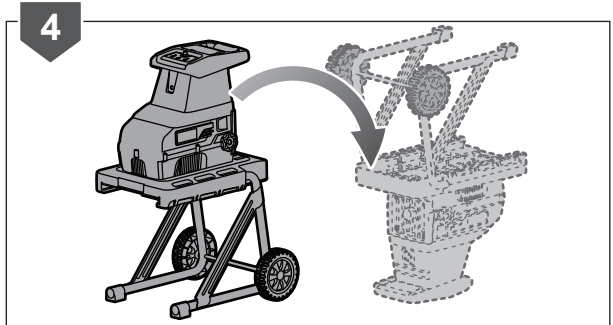
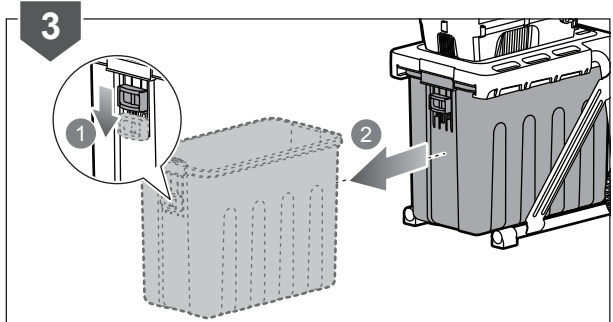
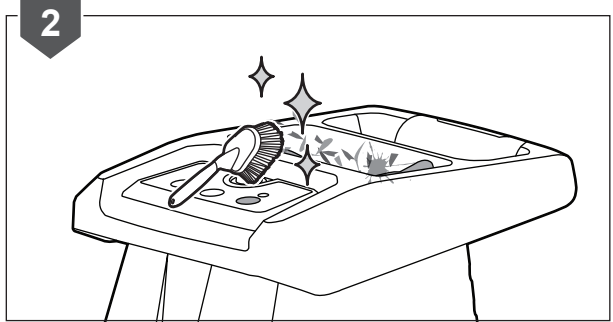
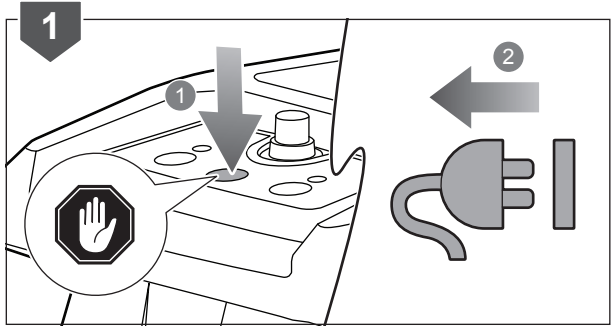
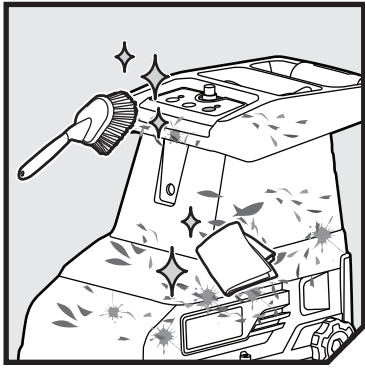


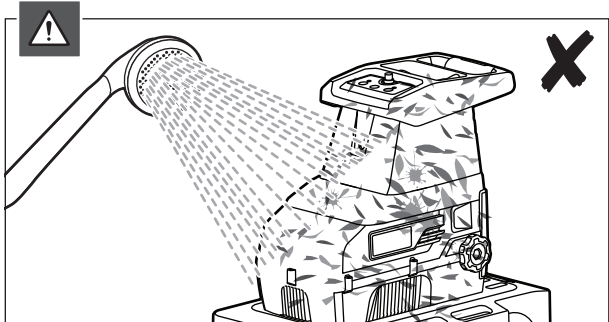
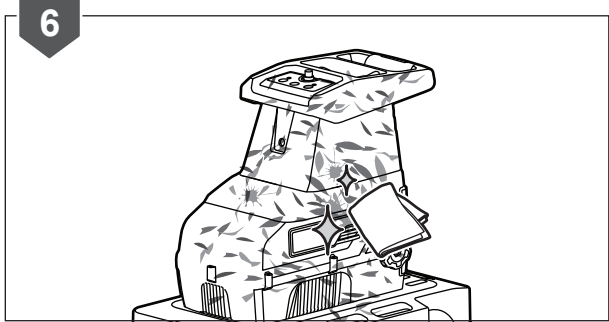
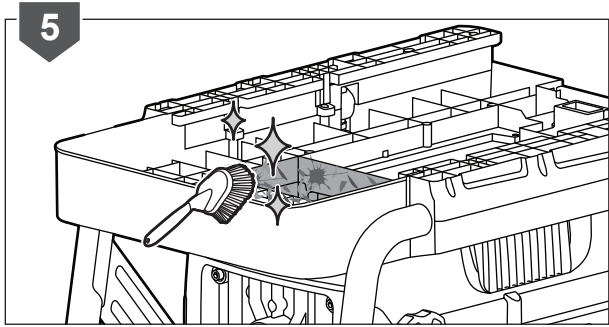


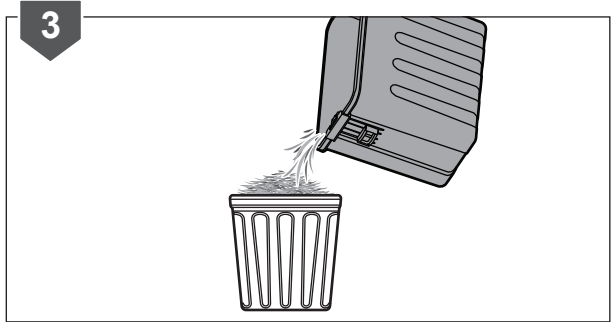
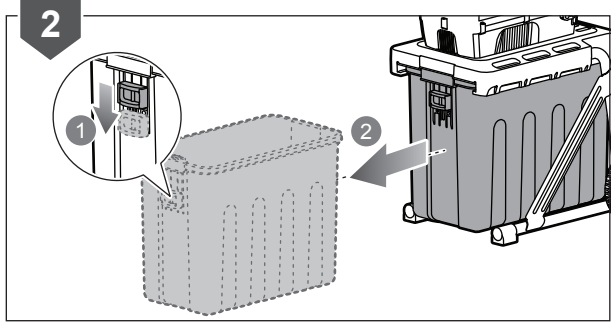
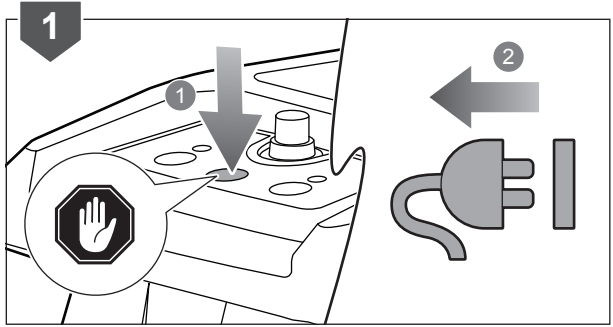
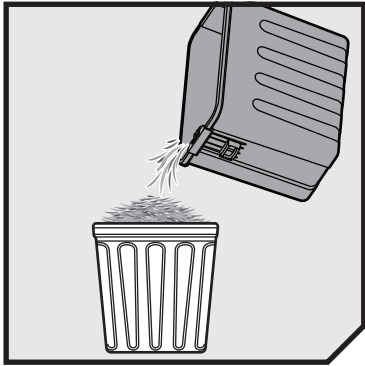


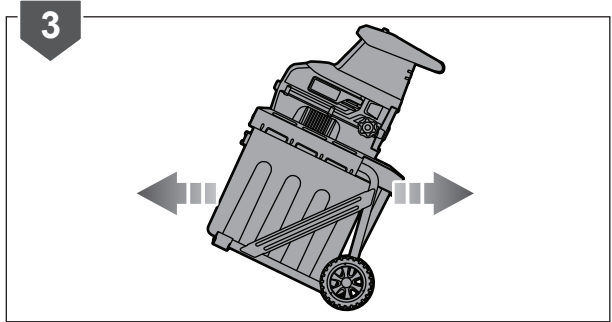
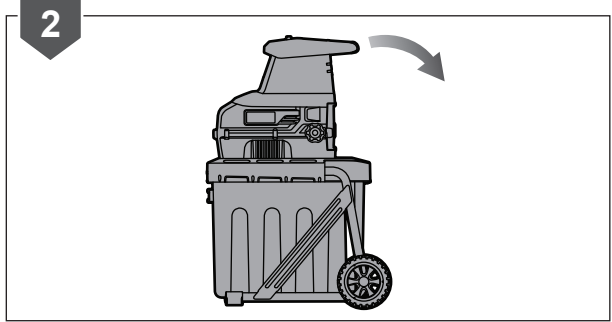
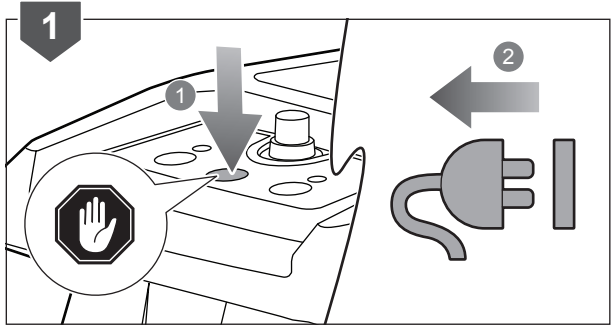
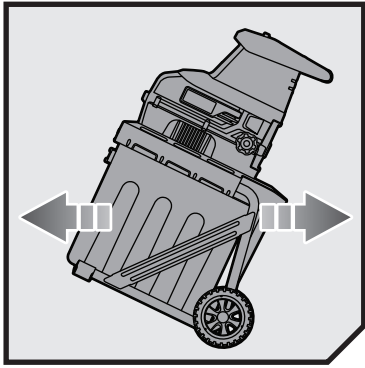


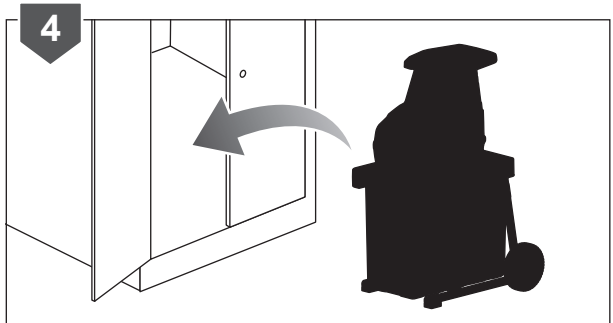
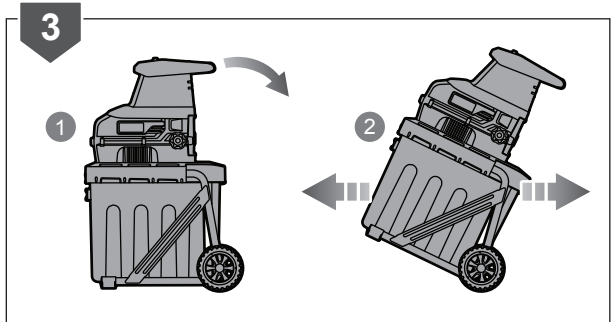
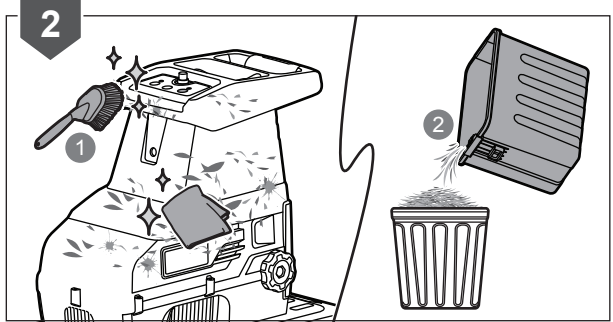
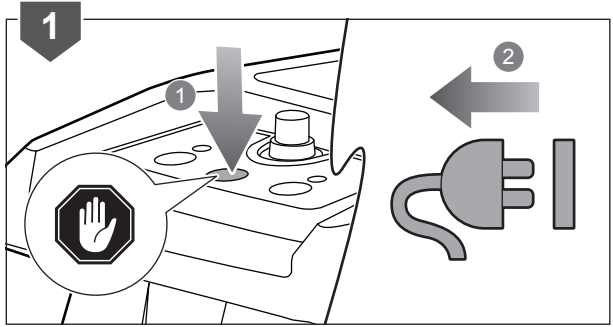
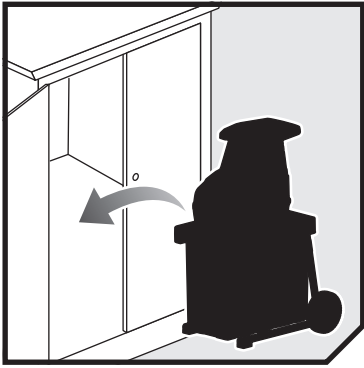














English	Français	Deutsch	Español	Italiano
Product specifications	Caractéristiques produit	Produkt-Spezifikationen	Características del producto	Caratteristiche del prodotto
Electric silent shredder	Broyeur Électrique Silencieux	Elektrischer Leisehäcksler	Trituradora silenciosa eléctrica	Trituratore elettrico silenzioso
Model	Modèle	Modell	Modelo	Modello
Rated power	Puissance nominale	Nennleistung	Potencia nominal	Potenza nominale
Rated voltage	Tension nominale	Nennspannung	Tensión nominal	Voltaggio nominale
Maximum cutting diameter	Diamètre maximum de coupe	maximaler Schneiddurchmesser	Diámetro máximo de corte	Diametro massimo di taglio
Idle speed	Régime de ralenti	Leerlaufdrehzahl	Velocidad de ralentí	Velocità minima
Weight	Poids	Gewicht	Peso	Peso
Noise emission level (in accordance with EN 50434:2014 Annex FF)	Niveau de vibration (selon l'Annexe FF de la norme EN 50434:2014)	Schallenergiepegel (gemäß Anhang FF von EN 50434:2014)	Nivel de emisión de ruido (de acuerdo con el Anexo FF de EN 50434:2014)	Livello di emissione rumore (secondo quanto disposto dall'Allegato FF della Direttiva EN 50434:2014)
A-weighted sound pressure level at operator's position	Niveau de pression sonore pondéré-A au niveau de l'opérateur	A-bewerteter Schalldruckpegel an der Position des Anwenders	Nivel de presión sonora ponderado A en la posición del operario	Livello di pressione sonora ponderata A alla posizione dell'operatore
Uncertainty of measurement	Incertitude de la mesure	Unsicherheit der Messung	Incertidumbre de medición	Incertezza delle misurazioni
A-weighted sound power level	Niveau de puissance sonore pondéré-A	A-bewerteter Schalleistungspegel	Nivel de potencia acústica ponderada en A	Livello di potenza sonora pesato A
Uncertainty of measurement	Incertitude de la mesure	Unsicherheit der Messung	Incertidumbre de medición	Incertezza delle misurazioni
NOTE: 1. P40 indicates a load profile of 40 seconds load and 60 seconds idle time per cycle of intermittent operation. 2. The maximum cutting diameter depends on the hardness of the wood.	REMARQUE: 1. P40 indique un profil de charge de 40 secondes et un ralenti de 60 secondes par cycle de fonctionnement intermittent. 2. La diamètre maximum de coupe dépend de la dureté du bois.	HINWEIS: 1. P40 steht für ein Ladeprofil von 40 Sekunden Ladung und 60 Sekunden Ruhezeit pro Zyklus des periodischen Betriebs. 2. Der maximale Schneiddurchmesser hängt von der Härte des Holzes ab.	NOTA: 1. P40 indica un perfil de carga de 40 segundos y un tiempo de inactividad de 60 segundos por ciclo de funcionamiento intermitente. 2. El diámetro máximo de corte depende de la dureza de la madera.	NOTA: 1. P40 indica un profilo costituito da 40 secondi sotto carico e 60 secondi a vuoto per ogni ciclo di funzionamento intermittente. 2. Il diametro massimo di taglio dipende dalla durezza del legno.

English	Français	Deutsch	Español	Italiano
Replacement parts	Pièces de Rechange	Ersatzteile	Piezas de repuesto	Parti di ricambio
Blade	Lame	Messer	Hoja	Lama





Nederlands	Português	Dansk	Svenska	
Productgegevens	Características do aparelho	Produktspecifikationer	Produktspecifikationer	
Elektrische stille verhakselaar	Trituradora eléctrica silenciosa	Elektrisk støjsvag kompostkværn	Tyst elektrisk kompostkværn	
Model	Modelo	Model	Modell	RSH3045U
Nominaal vermogen	Potência nominal	Mærkeeffekt	Klassad effekt	3000 W (P40)
Toegekende spanning	Tensão nominal	Mærkespænding	Spänning	230 ~240V 50Hz
Maximum snijdiameter	Diâmetro máximo de corte	Max skærediameter	Max skärdiameter	45 mm
Stationaire snelheid	Velocidade de ralenti	Tomgangshastighed	Tomgångsvarv	55 /min
Peso	Peso	Vikt	Vægt	21 kg
Geluidsemissieniveau (in overeenstemming met bijlage FF van EN 50434:2014)	Nível de emissão de ruído (em conformidade com o Anexo FF de EN 50434:2014)	Støjemissionsniveau (iht. bilag FF til EN 50434:2014)	Bullerutsläppsnivå (enligt Annex FF i EN 50434:2014)	
A-gewogen geluidsdrukniveau bij positie van gebruiker	Nível de pressão sonora ponderada A na posição do operador	A-vægtet lydtryksniveau ved operatørens position	A-viktad ljudtrycksnivå vid operatørens plats	96,3 dB(A)
Onzekerheid bij meting	Incerteza de medições	Målingsusikkerhed	Osäkerhet för mått	2,5 dB
A-gewogen geluidsniveau	Nível de potência sonora ponderada A	A-vægtet lydeffektniveau	A-vägd ljudeffektnivå	100 dB(A)
Onzekerheid bij meting	Incerteza de medições	Målingsusikkerhed	Osäkerhet för mått	1,5 dB
OPMERKING: 1. P40 geeft een belastingprofiel van 40 seconden belasting en 60 seconden inactieve tijd aan per cyclus van intermitterende werking. 2. De maximale zaagdiameter hangt af van de hardheid van het hout.	NOTA: 1. P40 indica um perfil de carga de 40 segundos de carga e 60 segundos de tempo de paragem por ciclo de operação intermitente. 2. O diâmetro máximo de corte depende da dureza da madeira.	BEMÆRK: 1. Elektrisk støjsvag kompostkværn 2. Den maksimale skærediameter afhænger af træets hårdhed.	NOTERA: 1. P40 indikerar en belastningsprofil på 40 sekunders belastning och 60 sekunders väntetid per driftcykel med intermittert användning. 2. Max skärdiameter beror på træs hårdhet.	

Nederlands	Português	Dansk	Svenska	
Vervangonderdelen	Peças de substituição	Reserve dele	Utbytesdelar	
Mes	Lâmina	Klinge	Blad	5131042044 (099330001036)





Suomi	Norsk	Русский	Polski	Čeština
Tuotteen tekniset tiedot	Produktspesifikasjoner	Характеристики изделия	Parametry techniczne	Technické údaje produktu
Hiljainen sähkösilppuri	Elektrisk stillegående kvern	Электрический тихий измельчитель	Elektryczna cicha rozdrabniarka	Tichý elektrický drtič
Malli	Modell	Модель	Model	Model
Moottoriteho	Nominell effekt	Номинальная мощность	Moc znamionowa	Jmenovitý výkon
Nimellisjännite	Nominell spenning	Номинальное напряжение	Napięcie znamionowe	Jmenovité napětí
Suurin leikkusäde	Maksimum kappediameter	Максимальный диаметр измельчаемого материала	Maksymalna średnica przecinanego materiału	Maximální drcený průměr
Joutokäynti	Tomgangshastighet	Скорость на холостом ходу	Prędkość na biegu jałowym	Volnoběh
Vekt	Paino	Вес	Greutate	Waga
Melutaso (standardin EN 50434:2014 liitteen FF mukaisesti)	Støyutslipnivå (iht. tillegg FF i EN 50434:2014)	Уровень шума (в соответствии с Приложением FF стандарта EN EN 50434:2014)	Poziom emisji hałasu (zgodnie z aneksem FF normy EN 50434:2014)	Hladina emise hluku (v souladu s přílohou FF normy EN 50434:2014)
A-painotettu käyttäjään kohdistuva äänenpainetaso	Støynivåvekting ved operatørens posisjon	Амплитудно-взвешенный уровень звукового давления в рабочем месте оператора	Poziom ciśnienia akustycznego (A) w miejscu operatora	Hladina akustického tlaku vážená funkcí A v poloze obsluhy
Mittausten epätarkkuus	Usikkerhet ved måling	Погрешность измерения	Niepewność pomiaru	Nejistota měření
A-painotettu äänenteho	A-vektet lydeffektivå	Уровень А-взвешенной звуковой мощности	A-wazony poziom natężenia hałasu	Hladina akustického tlaku vážená funkcí A
Mittausten epätarkkuus	Usikkerhet ved måling	Погрешность измерения	Niepewność pomiaru	Nejistota měření
HUOMAUTUS: 1. P40 osoittaa kuormitusprofiilin 40 sekunnin kuormituksella ja 60 sekunnin joutokäyntiajan jaksittaisen käytön aikana. 2. Suurin leikkuuhalkaisija riippuu puun kovuudesta.	MERK: 1. P40 indikerer en lastingsprofil på 40 sekunders last og 60 sekunders inaktiv tid per syklus med periodevis operasjon. 2. Maksimum kappedimensjon avhenger av hardheten på treet.	ПРИМЕЧАНИЕ: 1. P40 показывает профиль загрузки, который означает 40 секунд загрузки и 60 секунд ожидания на цикл работы в повторно-кратковременном режиме. 2. Максимальный диаметр разрезания зависит от твердости древесины.	UWAGA: 1. P40 oznacza profil 40-sekundowego obciążenia i 60-sekundowego czasu bezczynności w cyklu pracy przerywanej. 2. Maksymalna średnica cięcia zależy od twardości drewna.	POZNÁMKA: 1. P40 znamená zátěžový profil 40 sekund zatížení a 60 sekund volnoběh na jeden cyklus přerušovaného provozu. 2. Maximální průměr k drcení závisí na tvrdosti dřeva.

Suomi	Norsk	Русский	Polski	Čeština
Varaosat	Erstatningsdeler	Запасные части	Części zamienne	Náhradní díly
Terä	Blad	Пильное полотно	Ostrze	Nůž





Magyar	Română	Latviski	Lietuviškai	
Termék műszaki adatai	Specificațiile produsului	Produkta specifikācijas	Gaminio techninės savybės	
Hangtalan elektromos aprító	Tocător silențios electric	Elektriskais klusais smalcinātājs	Elektrinis betriukšmis smulkintuvas	
Típus	Model	Modelis	Modelis	RSH3045U
Névleges teljesítmény	Puterea nominală	Nominālā jauda	Nominali galia	3000 W (P40)
Névleges feszültség	Tensiunea nominală	Nominālais spriegums	Nominali įtampa	230 ~240V 50Hz
Maximális vágási átmérő	Diametru maxim de tăiere	Maksimālais griešanas diametrs	Didžiausias pjovimo skersmuo	45 mm
Alapjáratí fordulatszám	Viteză în gol	Tukšgaitas ātrums	Tuščia eiga	55 /min
Bec	Tömeg	Teža	Težina	21 kg
Hangkibocsátási szint (az EN 50434:2014 FF függeléke szerint)	Nivel emisie zgomot (în conformitate cu Anexa FF a EN 50434:2014)	Trokšņu emisijas līmenis (saskaņā ar direktīvas EN 50434:2014 FF pielikumu)	Skleidžiamo triukšmo lygis (pagal EN 50434:2014 standarto FF priedą)	
A-súlyozott hangnyomásszint a kezelő helyén	Nivel presiune sunet greutate A la poziția operatorului	Lietotāja pozīcijā ir ar A novērtēts skaņas spiediena līmenis	A svorisinis triukšmo slėgio lygis operatoriaus padėtyje	96,3 dB(A)
Mérés bizonytalansága	Nesiguranța măsurătorii	Mērījuma nenoteiktība	Matavimo paklaida	2,5 dB
A-súlyozott hangteljesítményszint	Nivel de putere acustică ponderată A	A-līmeņa skaņas jaudas līmenis	A-svertinis akustinis lygis	100 dB(A)
Mérés bizonytalansága	Nesiguranța măsurătorii	Mērījuma nenoteiktība	Matavimo paklaida	1,5 dB
MEGJEGYZÉS: 1. A P40 40 másodperces terhelési terhelési profil és 60 másodperces üresjáratú időt jelent a szakaszos működés ciklusaiként. 2. A maximális vágási átmérő a fa keménységétől függ.	NOTĂ: 1. P40 indică un profil de încărcare de 40 secunde de încărcare și 60 de secunde timp de repaus pe ciclul de funcționare intermitentă. 2. Diametrul maxim de tăiere depinde de duritatea lemnului.	PIEZĪME: 1. P40 norāda uz slodzes profilu, kurā ir 40 sekundes slodzes un 60 sekundes brīvģaitas viena cikla ietvaros pārtrauktas izmantošanas ciklā. 2. Maksimālais griešanas diametrs ir atkarģigs no koka cietģbas.	PASTABA: 1. P40 reiškia 40 sekundžių apkrovos ir 60 sekundžių tuščiosios eigos laiko profilį per įrenginio naudojimo su pertrūkiais ciklą. 2. Didžiausias pjovimo skersmuo priklauso nuo medžio kietumo.	

Magyar	Română	Latviski	Lietuviškai	
Cserealkatrészek	Piese de schimb	Rezerves daģas	Atsarginės detalės	
Kés	Lamă	Asmens	Geležtelė	5131042044 (099330001036)





Eesti	Hrvatski	Slovensko	Slovenčina
Toote tehnilised andmed	Spetsifikacije proizvoda	Spetsifikacije izdelka	Špecifikácie produktu
Elektriline müravaba oksapurusti	Tiha električna rezačica	Električni tihi drobilnik	Električká tichá drvička
Mudel	Model	Model	Modelis
Nimivõimsus	Nazivna snaga	Nazivna moč	Menovitý výkon
Nimipinge	Nazivni napon	Nazivna napetost	Menovité napätie
Maksimaalne lõikeläbimõõt	Maksimalni promjer rezanja	Največji premer rezanja	Maximálne rezný priemer
Tühikäigukirus	Prazan hod	Hitrost v prostem teku	Otáčky pri voľnobehu
Mass	Masé	Svars	Hmotnosť
Helivõimsuse tase (vastavalt standardi EN 50434:2014 lisale FF)	Razina emisija buke (u skladu s Dodatkom FF EN 50434:2014)	Raven emisij hrupa (v skladu z dodatkom FF standarda EN 50434:2014)	Úroveň emisii hluku (v súlade s Dodatkom FF v EN 50434:2014)
A-kaalutud müraemissiooni rõhu tase operatori töökohal	A-ponderirana razina zvučnog tlaka u položaju operatera	A-izmerjena raven zvočnega tlaka pri položaju upravljavca	Vážená A hladina akustického tlaku na pozícii obsluhujúcej osoby
Mõõtmismääramatus	Neodređenost mjerenja	Negotovost meritve	Nespoľahlivosť meraní
A-kaalutud helivõimsuse tase	Ponderirana razina zvučne snage	A-izmerjena raven zvočne moči	Vážená A hladina akustického výkonu
Mõõtmismääramatus	Neodređenost mjerenja	Negotovost meritve	Nespoľahlivosť meraní
MÄRKUS. 1. P40 osutab koormusdiagrammile vahelduvalt 40 sekundilise koormusega ja 60 sekundilise jõudeajaga töötüki korral. 2. Lõikamise maksimaalläbimõõt sõltub puidu kõvadusest.	NAPOMENA: 1. P40 prikazuje profil opterećenja od 40 sekundi opterećenja i 60 sekundi praznog hoda po ciklusu rada na prekide. 2. Maksimalni promjer rezanja ovisi o tvrdoći drveta.	OPOMBA: 1. P40 označuje profil obremenitve 40 sekund obremenitve in 60 sekund nedejavnosti na cikel občasnega delovanja. 2. Največji premer rezanja je odvisen od trdote lesa.	POZNÁMKA: 1. P40 označuje zaťažovací profil 40 sekund zataženia a 60 behu naprázdno počas cyklu prenušovanej prevádzky. 2. Maximálny rezný priemer závisí od tvrdosti dreva.



Eesti	Hrvatski	Slovensko	Slovenčina
Asendusosad	Zamjena dijelova	Nadomestni deli	Náhradné diely
Saeleht	Oštrica	Rezilo	Ostrie





България	Українська	Türkçe	
Технически характеристики	Технічні характеристики пристрою	Ürün teknik özellikleri	
Безшумна електрическа дробилка	Електричний безшумний подрібнювач	Elektrikli Sessiz Parçalama Makinesi	
Модел	Модель	Model	RSH3045U
Номинална мощност	Номинальна потужність	Nominal güç	3000 W (P40)
Номинален волтаж	Номинальна напруга	Nominal voltaj	230 ~240V 50Hz
Максимален диаметър на рязане	Максималний діаметр різання	Maksimum kesme çapı	45 mm
Скорост на празен ход	Холостий хід	Rölanti devri	55 /min
Тегло	Вага	Ağırlık	21 kg
Ниво на шумовите емисии (в съответствие с приложение FF на EN 50434:2014)	Рівень шуму (відповідно до EN 50434:2014 додаток FF)	Gürültü emisyon seviyesi (EN 50434:2014 Ek FF uyarınca)	
Равнище А на нивото на шумовото налягане на мястото на оператора.	Рівень звукового тиску за шкалою А для оператора пристрою	Kullanıcı pozisyonundaki A ağırlıklı ses basıncı seviyesi	96,3 dB(A)
Несигурност на измерването	Невизначеність вимірювання	Ölçüm bilinmiyor	2,5 dB
Ниво на силата на шума с равнище А	А-зважений рівень звукової потужності	A ağırlıklı ses gücü seviyesi	100 dB(A)
Несигурност на измерването	Невизначеність вимірювання	Ölçüm bilinmiyor	1,5 dB
ЗАБЕЛЕЖКА: 1. P40 указва профил на натоварване при цикъл на работа с прекъсване от 40 секунди натоварване и 60 секунди работа на празен ход. 2. Максималния диаметър на рязане зависи от твърдостта на дървесината.	ПРИМІТКА: 1. P40 означає навантаження в режимі навантаження 40 секунд і 60 секунд простою у циклі переривчастої роботи. 2. Максимальний діаметр різання залежить від твердості деревини.	NOT: 1. P40, kesintisiz bir çalışma için döngü başına 40 saniyelik bir yük profili ve 60 saniyelik boş çalışmayı ifade eder. 2. Maksimum kesme çapı odunun sertliğine bağlıdır.	



България	Українська	Türkçe	
Резервни части	Запасні частини	Yedek Parça	
Острие	Лезо	Bıçak	5131042044 (099330001036)



EN RYOBI® WARRANTY APPLICATION CONDITIONS

In addition to any statutory rights resulting from the purchase, this product is covered by a warranty as stated below.

- The warranty period is 24 months for consumers and commences on the date when the product was purchased. This date has to be documented by an invoice or other proof of purchase. The product is designed and dedicated to consumer and private use only. So there is no warranty provided in case of professional or commercial use. This warranty applies only on new products.
- There is a possibility to extend for a part of the range of power tools (AC/DC) the warranty period over the period described above using the registration on the www.ryobitools.eu website. The eligibility of products for extended warranty is clearly displayed in stores and / or on packaging and is contained within the product documentation. The end user is required to register his/her newly-acquired products online within 30 days from the date of purchase. The end user may register for the extended warranty in his/her country of residence if listed on the online registration form where this option is valid. Furthermore, end users must give their consent to the storage of their personal data that is required to be entered online. They must also accept the terms and conditions. The registration confirmation receipt, which is sent out by e-mail, and the original invoice showing the date of purchase will serve as proof of the extended warranty.
- The warranty covers all defects of the product during the warranty period due to faults in workmanship or material at the purchase date. The warranty is limited to repair and/or replacement and does not include any other obligations including but not limited to incidental or consequential damages. The warranty is not valid if the product has been misused, used contrary to the instruction manual, or has been incorrectly connected to a power supply. This warranty does not apply to:
 - any damage to the product that is the result of improper or lack of maintenance
 - any product that has been altered or modified
 - any product where original identification (trade mark, serial number) markings have been defaced, altered or removed
 - any damage caused by non-observance of the instruction manual
 - any product not displaying the CE approval mark on the rating plate
 - any product that has been attempted to be repaired by a non-authorised warranty service centre or without prior authorisation by Techtronic Industries
 - any product connected to improper power supply (amps, voltage, frequency)
 - any product used with inappropriate fuel mixture (fuel, oil, ratio of oil/ fuel mixture)
 - any damage caused by external influences (water, chemical, physical, shocks) or foreign substances
 - normal wear and tear spare parts
 - inappropriate use, overloading of the tool
 - use of non-approved accessories or parts
 - Accessories provided with the tool or purchased separately including but not limited to blades, saw chains, cutting lines, etc.
 - Any periodic adjustments to or maintenance cleaning of carburettors
 - Components (parts and accessories) subject to natural wear and tear, including but not limited to bump knobs, drive belts, clutch, blades of hedge trimmers or lawn mowers, harness, cable throttle, carbon brushes, power cord, tines, felt washers, hitch pins, blower fans, blower and vacuum tubes, vacuum bag and straps, guide bars, saw chains, hoses, connector fittings, spray nozzles, wheels, spray wands, inner reels, outer spools, cutting lines, spark plugs, air filters, gas filters, mulching blades, etc.
- For servicing, the product must be sent or presented to a RYOBI authorised service station listed for each country in the following list of service station addresses. In some countries your local RYOBI dealer undertakes to send the product to the RYOBI service organisation. When sending a product to a RYOBI service station, the product should be safely packed without any dangerous contents such as petrol, marked with sender's address and accompanied by a short description of the fault.
- A repair / replacement under this warranty is free of charge. It does not constitute an extension or a new start of the warranty period. Exchanged parts or products become our property. In some countries delivery charges or postage will have to be paid by the sender. Your statutory rights arising from the purchase of the product remain unaffected.
- This warranty is valid in the European Community, Switzerland, Iceland, Norway, Liechtenstein, Turkey and Russia. Outside these areas, please contact your authorised RYOBI dealer to determine if another warranty applies.

AUTHORISED SERVICE CENTRE

To find an authorised service centre near you, visit <http://en.ryobitools.eu/header/service-and-support/service-agents>.

FR RYOBI® CONDITIONS D'APPLICATION DE LA GARANTIE

En plus des droits statutaires liés à l'achat, ce produit est couvert par une garantie telle que décrite ci-dessous.

- La durée de la garantie accordée au consommateur est de 24 mois à partir de la date d'achat. Cette date doit être authentifiée par une facture ou tout autre preuve d'achat. Le produit a été conçu en vue d'une utilisation strictement privée. Aucune garantie ne s'applique donc en cas d'utilisation professionnelle ou commerciale.
- Il existe pour une partie de la gamme « jardin » (AC/DC), une possibilité d'étendre la période de garantie au-delà de la période précédemment décrite en utilisant le formulaire d'enregistrement présent sur le site Internet www.ryobitools.eu. L'éligibilité d'un outil est clairement affichée dans les points de vente et/ou sur l'emballage et la documentation. L'utilisateur final doit enregistrer son/ses outil(s) nouvellement acheté(s) en ligne dans les 30 jours qui suivent la date d'achat. L'utilisateur a la possibilité de s'enregistrer pour l'extension de garantie dans son pays de résidence si celui-ci est listé dans le formulaire d'enregistrement en ligne où cette option est validée. L'utilisateur final doit donner son consentement pour l'enregistrement des données requises pour accéder au site et doit accepter les termes et conditions. La confirmation d'enregistrement, envoyée par courrier électronique, ainsi que la facture originale mentionnant la date d'achat serviront de preuve de l'extension de garantie.
- La garantie couvre pendant la période de garantie les défauts des produits liés à la fabrication et aux matériaux à la date d'achat. La garantie est limitée à la réparation et/ou au remplacement et n'inclut aucune autre obligation, tel que, mais sans s'y limiter, les dommages accessoires ou indirects. La garantie est non valable en cas de mauvaise utilisation du produit, d'utilisation contraire aux instructions du mode d'emploi, ou en cas de branchement incorrect. Cette garantie ne s'applique pas pour :
 - tout dommage au produit résultant d'un mauvais entretien
 - tout produit ayant été altéré ou modifié
 - tout produit dont les marquages originaux d'identification (marque, numéro de série) ont été dégradés, altérés ou retirés
 - tout dommage causé par le non-respect des instructions du mode d'emploi
 - tout produit non CE
 - tout produit ayant subi une tentative de réparation par du personnel non qualifié ou sans autorisation préalable de Techtronic Industries
 - tout produit raccordé à une alimentation secteur non conforme (ampérage, voltage, fréquence)
 - tout produit utilisé avec un mélange inapproprié (essence, huile, pourcentage d'huile)
 - tout dommage causé par des influences extérieures (chimiques, physiques, chocs) ou par des substances étrangères
 - l'usure normale des pièces consommables
 - une utilisation inappropriée, une surcharge de l'outil
 - l'utilisation de pièces ou accessoires non agréés
 - Tout réglage périodique ou tout nettoyage de maintenance des carburateurs
 - les composants (pièces et accessoires) sujets à une usure naturelle, incluant de façon non exhaustive les têtes de fil à frapper, les courroies de transmission, les embrayages, les lames des taille-haies ou des tondeuses à gazon, les harnais, les câbles d'accélérateur, les charbons, les cordons d'alimentation, les fraises de cultivateurs, les rondelles feutre, les goupilles de fraise, les turbines et lame de broyage des souffleurs, les tubes de soufflage et d'aspiration des souffleurs, les sacs de souffleurs et leurs lanières, les guides-chaîne, les chaînes de tronçonneuses, les tuyaux et raccords, les buses et lances de nettoyeurs haute pression, les roues, les recharges de fil des têtes de coupe, les têtes de coupe, le fil de coupe, les bougies d'allumage, les filtres à air, les filtres à essence, etc.
- Si le produit doit être réparé, envoyez-le à un service après-vente agréé RYOBI dont vous trouverez ci-dessous la liste pour chaque pays. Dans certains pays, votre revendeur RYOBI se chargera d'envoyer le produit à un centre de réparation RYOBI. Lorsque vous envoyez un produit à un service après-vente RYOBI, celui-ci doit être correctement emballé, sans contenir aucun produit dangereux tel que de l'essence, et vous devez indiquer votre adresse ainsi qu'une courte description du problème.
- Une réparation / un remplacement sous garantie est gratuit(e). Ceci ne constituera pas une extension de garantie ni un nouveau départ de la période de garantie. Les pièces ou les outils remplacés deviennent notre propriété. Dans certains pays, les frais de port devront être assumés par l'expéditeur. Vos droits statutaires restent inchangés.
- Cette garantie est valable au sein de l'Europe, de la Suisse, de l'Islande, de la Norvège, du Liechtenstein, de la Turquie, de la Russie. En dehors de ces zones, veuillez contacter votre distributeur agréé RYOBI pour déterminer si une autre garantie s'applique.

SERVICE APRÈS-VENTE AGRÉÉ

Pour trouver le service après-vente agréé le plus proche, rendez-vous sur <http://fr.ryobitools.eu/header/service-and-support/service-agents>

DE RYOBI® GARANTIEBEDINGUNGEN

Zusätzlich zu den gesetzlichen Rechten aus dem Kauf gilt für dieses Produkt die nachstehend aufgeführte Garantie.

- Der Garantiezeitraum beträgt für Verbraucher 24 Monate und beginnt mit dem Datum des Kaufs. Dieses Datum muss durch eine Rechnung oder einen anderen Kaufbeleg dokumentiert werden. Dieses Produkt wurde ausschließlich zur privaten Nutzung durch Verbraucher entwickelt. Für den Fall einer professionellen bzw. kommerziellen Nutzung besteht daher keine Garantie.
- Es besteht die Möglichkeit, für einen Teil des Sortiments der Gartenwerkzeuge (AC/DC) den Garantiezeitraum über den oben genannten Zeitraum hinaus zu verlängern, indem der Verbraucher die Registrierung auf der Website www.ryobitools.eu durchführt. Die Berechtigung der Werkzeuge für die Garantieverlängerung ist deutlich im Geschäft und/oder auf der Verpackung beschrieben und in der Produktdokumentation erwähnt. Der Verbraucher muss das neu erworbene Gerät online innerhalb von 30 Tagen ab dem Kaufdatum registrieren. Der Verbraucher kann das Gerät zwecks Garantieverlängerung in seinem Wohnsitzland/Heimatland registrieren, wenn dieses Land auf dem Online-Registrierungsformular aufgeführt und die Option gültig ist. Darüber hinaus muss der Verbraucher seine Zustimmung zur Speicherung der Daten geben, die online eingegeben werden müssen, und er muss die allgemeinen Geschäftsbedingungen akzeptieren. Die Bestätigung der Registrierung, die per E-Mail versandt wird, und die Originalrechnung mit dem Kaufdatum gelten als Beleg für die Garantieverlängerung.
- Die Garantie deckt alle Defekte des Geräts während des Garantiezeitraums ab, die auf zum Zeitpunkt des Kaufs bestehende Verarbeitungs- oder Materialfehler zurückzuführen sind. Die Garantie beschränkt sich auf Reparatur und/oder Ersatz und beinhaltet keine anderen Verpflichtungen, insbesondere keinen Schadenersatz für Folge- oder Nebenschäden. Die Garantie gilt nicht, wenn das Gerät fehlerhaft eingesetzt wurde, gegensätzlich zur Bedienungsanleitung eingesetzt wurde oder falsch angeschlossen wurde. Die Garantie gilt nicht für Folgendes:
 - Schäden am Gerät, die auf unkorrekte Wartung zurückzuführen sind
 - Geräte, an denen Veränderungen vorgenommen wurden
 - Produkte, bei denen die ursprüngliche Identifizierung (Handelsmarke, Seriennummer) unleserlich gemacht, verändert oder entfernt wurde
 - Schäden durch Nichtbeachtung der Bedienungsanleitung
 - nicht-CE-zertifizierte Geräte
 - Geräte, an denen durch nicht-qualifizierte Personen oder ohne vorherige Genehmigung von Techtronic Industries Reparaturversuche vorgenommen wurden
 - Geräte, die an unkorrekte Energiequellen (Ampere, Volt, Frequenz) angeschlossen wurden
 - Geräte, die mit einer fehlerhaften Treibstoffmischung (Treibstoff, Öl, Ölanteil) betrieben wurden
 - Schäden durch äußere Einflüsse (chemisch, physisch, Stöße) oder Fremdstoffe
 - normaler Verschleiß von Ersatzteilen
 - unangemessene Nutzung, Überlastung des Geräts
 - Nutzung nicht genehmigter Zubehörteile oder Ersatzteile
 - Regelmäßige Einstellung oder Wartungsreinigung des Vergasers
 - Komponenten (Ersatzteile und Zubehörteile), die natürlicherem Verschleiß unterliegen, einschließlich, aber nicht begrenzt auf Service- und Wartungssets, Kohlebürsten, Lager, Spannvorrichtungen, SDS-Bohreraufnahme / Bit-Adapter, Netzkabel, Zusatzhandgriff, Transportkoffer, Schleifplatten, Staubbeutel, Staubabführungen, Filzunterlegscheiben, Bolzen und Federn von Schlagschraubern, einschließlich, aber nicht beschränkt auf Fadenköpfe, Antriebsriemen, Kupplungen, die Klängen von Heckenscharen oder Rasenmähern, Kabelstränge, Gaszüge, Zinken, Steckbolzen, Lüfter, Saug- und Gebläserohre oder Düsen, Fangsäcke und Gurte, Führungsschienen, Sägeketten, Schläuche, Verbinder, Sprühdüsen, Räder, Sprühstäbe, innere Rollen, äußere Spulen, Schneidfäden, Zündkerzen, Luftfilter, Benzin-/ Ölfilter, Hackseil-Messer usw.
- Zum Service muss das Gerät zu einer von RYOBI autorisierten Servicestation gebracht oder dorthin gesendet werden. Die Servicestationen für die einzelnen Länder sind in der folgenden Liste aufgeführt. In einigen Ländern sendet Ihr RYOBI-Händler vor Ort das Gerät an das RYOBI-Serviceunternehmen. Beim Einsenden an die RYOBI-Servicestation sollte das Gerät sicher verpackt sein, ohne gefährliche Inhalte wie Benzin, und es sollte mit der Adresse des Absenders und einer kurzen Beschreibung des Fehlers versehen sein.
- Eine Reparatur bzw. ein Ersatz gemäß dieser Garantie ist kostenlos. Hieraus ergibt sich weder eine Garantieverlängerung noch der Beginn eines neuen Garantiezeitraums. Die ausgetauschten Ersatzteile oder Werkzeuge gehen in unser Eigentum über. In einigen Ländern müssen die Zustellgebühren oder die Versandkosten vom Absender gezahlt werden. Ihre gesetzlichen Rechte aus dem Kauf des Geräts bleiben hiervon unberührt.
- Diese Garantie gilt in der Europäischen Union, der Schweiz, Island, Norwegen, Liechtenstein, der Türkei und Russland. Bitte wenden Sie sich außerhalb dieser Gebiete an Ihren autorisierten RYOBI-Händler, um festzustellen, ob eine andere Garantie gilt.

AUTORISIERTER KUNDENDIENST

Besuchen Sie <http://de.ryobitools.eu/header/service-and-support/service-agents>, um einen autorisierten Kundendienst in Ihrer Nähe zu finden.

ES CONDICIONES DE APLICACIÓN DE LA GARANTÍA DE RYOBI®

Además de cualquier derecho legal derivado de la compra, este producto está cubierto por una garantía que se indica a continuación.

- El periodo de garantía es de 24 meses para consumidores y comienza en la fecha en que se comprara el producto. Dicha fecha debe documentarse con una factura u otro comprobante de compra. El producto está diseñado y concebido únicamente para el uso privado del consumidor. Por lo tanto, no se ofrece garantía en caso de uso profesional o comercial.
- Existe la posibilidad de ampliar el periodo de garantía respectivo a una parte de la gama de herramientas de jardinería (CA/CC) durante el periodo descrito más arriba y mediante el registro en el sitio web www.ryobitools.eu. La elegibilidad de las herramientas para que se amplie el periodo de garantía se muestra claramente en las tiendas o en el embalaje y está incluida en la documentación del producto. El usuario final tiene que registrar en línea sus herramientas recientemente adquiridas en un plazo de 30 días a partir de la fecha de compra. El usuario final podrá registrarse para obtener la garantía ampliada en su país de residencia si este aparece en la lista del formulario de registro en línea cuando esta opción sea válida. Además, los usuarios finales deberán dar su consentimiento al almacenamiento de los datos necesarios para el acceso en línea y tienen que aceptar los términos y condiciones. El recibo de confirmación de registro, que se envía por correo electrónico, y la factura original que muestra la fecha de compra servirán como comprobante para la garantía ampliada.
- La garantía cubre todos los defectos del producto durante el periodo de garantía debido a fallos de mano de obra o material en la fecha de compra. La garantía se limita a la reparación o sustitución y no incluye ninguna otra obligación como, por ejemplo, daños accidentales o consecuentes. La garantía no es válida si se ha usado mal el producto, se ha usado contraviniendo el manual de instrucciones o se ha conectado de forma incorrecta. Esta garantía no es aplicable a:
 - ningún daño en el producto que sea consecuencia de un mantenimiento inadecuado
 - ningún producto que haya sido alterado o modificado
 - ningún producto en el que los marcados de identificación originales (marca comercial, número de serie) se hayan borrado, modificado o eliminado
 - ningún daño provocado por no seguir el manual de instrucciones
 - ningún producto que no sea CE
 - ningún producto que haya sufrido un intento de reparación por parte de un profesional no cualificado o sin la autorización previa de Techtronic Industries.
 - ningún producto conectado a un suministro eléctrico inadecuado (amperios, voltaje, frecuencia)
 - ningún producto usado con una mezcla de combustible inadecuada (combustible, aceite, porcentaje de aceite)
 - ningún daño causado por influencias externas (químicas, físicas, impactos) o sustancias extrañas
 - desgaste normal de piezas de repuesto
 - uso inadecuado, sobrecarga de la herramienta
 - uso de accesorios o piezas no aprobados
 - Cualquier ajuste periódico o limpieza de mantenimiento de los carburadores
 - Componentes (piezas y accesorios) sujetos al desgaste natural incluyendo, entre otros, pomos de golpes, correas de transmisión, embragues, cuchillas de cortasetos o cortacésped, arneses, cable del acelerador, escobillas de carbono, cables eléctricos, discos, placas de filtro, pasadores de enganche, ventiladores de soplador, tubos de aspiración y de soplado, bolsas y correas de aspiración, barras guías, cadenas de sierra, mangueras, herrajes de conectores, boquillas pulverizadoras, ruedas, lanzas pulverizadoras, bobinas interiores, carretes exteriores, líneas de corte, bujías, filtros de aire, filtros de gas, cuchillas de compostaje, etc.
- Para su mantenimiento, el producto debe enviarse o presentarse a una estación de servicio de RYOBI autorizada que figure en la siguiente lista de direcciones de estaciones de servicio por países. En algunos países, su distribuidor RYOBI local se responsabiliza de enviar el producto a la compañía de servicio de RYOBI. Cuando se envíe un producto a una estación de servicio de RYOBI, este debe estar empaquetado de forma segura sin contenidos peligrosos como gasolina, marcado con la dirección del remitente y acompañado de una breve descripción del fallo.
- Una reparación / sustitución con esta garantía es gratuita. No constituye una ampliación ni un nuevo comienzo del periodo de garantía. Las piezas o herramientas intercambiadas pasan a ser de nuestra propiedad. En algunos países, los gastos de envío o correo tendrá que pagarlos el remitente. Sus derechos legales derivados de esta compra de la herramienta no se verán afectados.
- Esta garantía es válida en la Unión Europea, Suiza, Islandia, Noruega, Liechtenstein, Turquía y Rusia. Fuera de estas zonas, póngase en contacto con su distribuidor de RYOBI autorizado para determinar si es aplicable otra garantía.

SERVICIO TÉCNICO AUTORIZADO

Para encontrar el servicio técnico autorizado más cercano, visite <http://es.ryobitools.eu/header/service-and-support/service-agents>.

IT CONDIZIONI DI VALIDITÀ DELLA GARANZIA RYOBI®

In aggiunta ai diritti di legge risultanti dall'acquisto, il prodotto è coperto dalla garanzia sotto descritta.

- Il periodo di garanzia è di 24 mesi per i consumatori, a decorrere dalla data di acquisto del prodotto. La data deve essere documentata da una fattura o altra prova d'acquisto. Il prodotto è progettato e destinato solo all'utilizzo privato dei consumatori. Pertanto non viene fornita alcuna garanzia in caso di uso professionale o commerciale.
- Per una serie di utensili da giardino (CA/CC) è possibile prolungare il periodo di garanzia oltre quello descritto, registrandosi sul sito web www.ryobitools.eu. Gli utensili per i quali è possibile prolungare il periodo di garanzia sono chiaramente indicati nei negozi e/o sulle confezioni e nella documentazione dei prodotti. L'utente deve registrare online l'utensile acquistato entro 30 giorni dalla data di acquisto. L'utente può registrarsi per la garanzia prolungata nel proprio paese di residenza, se questo è elencato nel modulo di registrazione online dove questa opzione sia valida. Inoltre gli utenti devono fornire il proprio consenso alla conservazione dei dati da immettere online e devono accettare le condizioni generali. La conferma di registrazione, inviata tramite e-mail, e la fattura originale indicante la data di acquisto, costituiscono la prova della garanzia prolungata.
- La garanzia copre tutti i difetti del prodotto durante il periodo di garanzia, risultanti da manodopera o materiali alla data di acquisto. La garanzia è limitata alla riparazione e/o sostituzione e non include alcun altro obbligo quali, a mero titolo esemplificativo, i danni incidentali o consequenziali. La garanzia non è valida se il prodotto è stato usato scorrettamente, in modo contrario al manuale di istruzioni o se è stato collegato in modo errato. La garanzia non è valida per:
 - qualsiasi danno al prodotto dovuto a manutenzione errata;
 - qualsiasi prodotto che sia stato alterato o modificato;
 - qualsiasi prodotto le cui marcature di identificazione originali (marchi di fabbrica, numero di serie) siano state cancellate, alterate o rimosse;
 - qualsiasi danno causato dalla non osservanza delle istruzioni del manuale;
 - qualsiasi prodotto privo di omologazione CE;
 - qualsiasi prodotto che sia stato sottoposto a un tentativo di riparazione da parte di un professionista non qualificato oppure senza la previa autorizzazione di Techtronic Industries;
 - qualsiasi prodotto collegato a un'alimentazione errata (per ampere, tensione, frequenza);
 - qualsiasi prodotto usato con una miscela di carburante errata (carburante, olio, percentuale di olio);
 - qualsiasi danno causato da influenze esterne (chimiche, fisiche, urti) o sostanze estranee;
 - la normale usura delle parti di ricambio;
 - uso inappropriato, sovraccarico dell'utensile;
 - uso di accessori o parti non omologate;
 - qualsiasi regolazione periodica o pulizia di manutenzione dei carburatori;
 - componenti (parti e accessori) soggetti alla normale usura compresi, a mero titolo esemplificativo, testine a filo, cinghie di trasmissione, frizioni, lame di tagliasiepi o tagliaerba, imbragature, cavi di accelerazione, spazzole al carbonio, cavi di alimentazione, denti, rondelle di feltro, perni di aggancio, ventole dei soffiatori, tubi di soffiatori e aspiratori, sacchetti e cinghie per aspirapolvere, barre guida, catene per seghe, tubi, raccordi di connessione, ugelli di spruzzo, ruote, erogatori, bobine interne ed esterne, linee di taglio, candele, filtri dell'aria, filtri del gas, lame per mulching ecc.
- Per la manutenzione il prodotto dev'essere spedito o portato presso uno dei centri assistenza autorizzati RYOBI elencati per ogni paese nel seguente elenco di indirizzi dei centri. In alcuni paesi il rivenditore locale RYOBI si incarica di inviare il prodotto all'organizzazione di assistenza RYOBI. Quando si invia un prodotto a un centro assistenza RYOBI, imballarlo in modo sicuro senza contenuti pericolosi come la benzina, apporre l'indirizzo del mittente e accompagnarlo da una breve descrizione del guasto.
- La riparazione/sostituzione ai sensi della presente garanzia è gratuita. Non costituisce un prolungamento o un nuovo inizio del periodo di garanzia. Le parti o gli utensili scambiati diventano di nostra proprietà. In alcuni paesi i costi di consegna o di spedizione postale devono essere pagati dal mittente. I diritti di legge derivanti dall'acquisto dell'utensile rimangono inalterati.
- La presente garanzia è valida in Unione Europea, Svizzera, Islanda, Norvegia, Liechtenstein, Turchia e Russia. Al di fuori di tali aree contattare il rivenditore autorizzato RYOBI per sapere se è valida un'altra garanzia.

CENTRO SERVIZI AUTORIZZATO

Per individuare il più vicino centro servizi autorizzato, visitare il sito <http://it.ryobitools.eu/header/service-and-support/service-agents>.

NL RYOBI® GARANTIEVOORWAARDEN

Naast de wettelijke rechten die voortvloeien uit de aankoop, wordt dit product gedekt door een garantie, zoals hieronder staat vermeld.

- De garantietermijn voor consumenten bedraagt 24 maanden en gaat in op de datum waarop het product is gekocht. Deze datum moet worden gedocumenteerd met een factuur of een ander aankoopbewijs. Het product is uitsluitend ontworpen en bedoeld voor persoonlijk gebruik door consumenten. Er wordt dus geen garantie gegeven voor professioneel of commercieel gebruik.
- Voor een deel van ons aanbod van tuingeredschappen (AC/DC) is het mogelijk om de garantietermijn te verlengen over de boven beschreven termijn, met behulp van de website www.ryobitools.eu. De gereedschappen die in aanmerking komen voor de verlenging van de garantietermijn wordt duidelijk weergegeven in winkels en/of verpakkingen en staat beschreven in de productdocumentatie. De eindgebruiker moet zijn/haar nieuw gekochte gereedschappen binnen 30 dagen na aankoop online registreren. De eindgebruiker kan zich registreren voor de verlengde garantietermijn als zijn woonland staat vermeld op het online registratieformulier waar deze optie geldig is. Bovendien moeten eindgebruikers toestemming geven voor de opslag van de gegevens die online ingevuld moeten worden en moeten ze de algemene voorwaarden accepteren. Het ontvangstbewijs van de registratie, dat per e-mail wordt verzonden en de oorspronkelijke factuur met de aankoopdatum vormt het bewijs van de verlengde garantietermijn.
- De garantie dekt tijdens de garantietermijn alle gebreken van het product vanwege defecten in vakmanschap of materiaal op de aankoopdatum. De garantie is beperkt tot reparatie en/of vervanging en bevat geen andere verplichtingen, waaronder maar niet beperkt tot incidentele of gevolgschade. De garantie is niet geldig als het product is misbruikt, in strijd met de gebruiksaanwijzing wordt gebruikt of onjuist is aangesloten. Deze garantie geldt niet voor:
 - alle schade aan het product die het gevolg is van onjuist onderhoud
 - elk product dat is veranderd of aangepast
 - elk product waar de oorspronkelijke identificatie (handelsmerk, serienummer) is beschadigd, gewijzigd of verwijderd
 - alle schade die is veroorzaakt door het niet opvolgen van de gebruiksaanwijzing
 - elk niet-CE-product
 - elk product waar een poging tot reparatie is gedaan door een niet-erkende professional of zonder voorafgaande toestemming door Techtronic Industries.
 - elk product dat is verbonden met een verkeerde voeding (amperage, spanning, frequentie)
 - elk product dat wordt gebruikt met een verkeerd brandstofmengsel (brandstof, olie, oliegehalte)
 - alle schade die is veroorzaakt door externe invloeden (chemisch, fysisch, schokken) of vreemde stoffen
 - normale slijtage van reserveonderdelen
 - ongepast gebruik, overbelasting van het gereedschap
 - gebruik van niet-goedgekeurde accessoires of onderdelen
 - Alle periodieke aanpassingen aan of het onderhoud en reiniging van carburateurs
- Componenten (onderdelen en accessoires) die onderhevig zijn aan natuurlijke slijtage, waaronder maar niet beperkt tot stookknoppen, aandrijfmotoren, koppelingen, messen van hegtrimmers of grasmaaiers, harnas, gaskabel, koolstofborstels, stroomsoenen, tanden, viltringen, koppelingsspannen, blazers, blaas- en zuigbuizen, zuigzakken en-riemen, geleidingsstaven, zaagkettingen, slangen, koppelingen, mondstukken, wielen, spuitsokken, binnenhaspels, buitenhaspels, snijdraden, bogies, luchtfilters, gasfilters, maaimessen, etc.
- Voor onderhoud moet het product worden verzonden of gebracht naar een erkend servicestation van RYOBI die voor elk land staan vermeld in de volgende lijst met adressen voor servicestations. In sommige landen zal uw lokale RYOBI-dealer het product verzenden naar de RYOBI-serviceorganisatie. Wanneer u het product naar een servicestation van RYOBI verzendt, moet het product veilig worden verpakt zonder enige gevaarlijke inhoud, zoals benzine, met het adres van de afzender en vergezeld van een korte beschrijving van het defect.
- Een reparatie/vervangings die onder deze garantie valt is gratis. Het vormt geen verlenging of een nieuwe start van de garantietermijn. Verwisselde onderdelen of gereedschappen worden ons eigendom. In sommige landen moeten de verzendkosten door de afzender worden betaald. Uw wettelijke rechten die voortvloeien uit de aankoop van het gereedschap blijven onaangetast.
- Deze garantie is geldig in de Europese Gemeenschap, Zwitserland, IJsland, Noorwegen, Liechtenstein, Turkije en Rusland. Buiten deze gebieden moet u contact opnemen met uw erkende RYOBI-dealer om vast te stellen of er een andere garantie van toepassing is.

GEAUTORISEERD ONDERHOUDSCENTRUM

Om een geautoriseerd onderhoudscentrum in uw buurt te vinden, surf u naar <http://nl.ryobitools.eu/header/service-and-support/service-agents>.

PT CONDIÇÕES DE APLICAÇÃO DA GARANTIA RYOBI®

Para além de quaisquer direitos previstos por lei resultantes da compra, este produto está coberto por uma garantia conforme descrição abaixo.

1. O período da garantia é de 24 meses para consumidores particulares e inicia-se na data de compra do produto. Esta data tem de ser documentada por uma factura ou por outra prova de compra. O produto foi concebido para e destina-se apenas a consumidores particulares e uso privado. Assim, não é dada garantia em caso de utilização por profissionais ou uso comercial.
2. Para uma parte da gama de ferramentas de jardim (AC/DC) existe a possibilidade de prolongamento do período da garantia para além do período descrito acima, mediante registo no Web site www.ryobitools.eu. A elegibilidade das ferramentas para prolongamento do período da garantia é claramente visível nas lojas e/ou nas embalagens e está contida na documentação do produto. O utilizador final tem de fazer o registo online das suas ferramentas recém-adquiridas no prazo de 30 dias após a data de compra. O utilizador final pode fazer o registo para prolongamento da garantia no seu país de residência, desde que esteja listado no formulário de registo online e para os casos em que esta opção seja válida. Para além disso, os utilizadores finais têm de autorizar o arrojamento dos dados cujo preenchimento lhes for solicitado online e têm de aceitar os termos e as condições. O recibo de confirmação do registo é enviado por e-mail e, em conjunto com a factura original ostentando a data de compra, servirá de prova do prolongamento da garantia.
3. A garantia cobre todos os defeitos do produto durante o período da garantia devidos a defeitos de fabrico ou de material à data da compra. A garantia está limitada à reparação e/ou substituição e não inclui quaisquer outras obrigações, incluindo mas não se limitando a, perdas complementares ou indirectas. A garantia não é válida se o produto tiver sido utilizado incorrectamente, utilizado de forma contrária ao Manual de Instruções ou se as respectivas ligações tiverem sido feitas incorrectamente. Esta garantia não se aplica ao seguinte:
 - quaisquer danos ao produto que sejam resultado de manutenção incorrecta
 - qualquer produto que tenha sido alterado ou modificado
 - qualquer produto cujas marcações de identificação de origem (marca comercial, número de série) tiverem sido apagadas, alteradas ou retiradas
 - quaisquer danos causados pelo incumprimento do Manual de Instruções
 - qualquer produto que não seja da Comunidade Europeia
 - qualquer produto ao qual tenha sido feita, ou tentada fazer, uma reparação por outra pessoa que não um profissional habilitado ou sem autorização prévia da Technonic Industries.
 - qualquer produto ligado a uma fonte de alimentação eléctrica incorrecta (Amperes, Voltagem e Frequência)
 - qualquer produto utilizado com uma mistura de combustível incorrecta (combustível, óleo, percentagem de óleo)
 - qualquer dano causado por influências externas (químicas, físicas, impactos) ou substâncias estranhas
 - desgaste e degradação normal de sobresselentes
 - utilização incorrecta, sobrecarga da ferramenta
 - utilização de acessórios ou peças não aprovados
 - quaisquer ajustes periódicos a, ou limpeza de manutenção de, carburadores
 - Componentes (peças e acessórios) sujeitos a desgaste e degradação natural, incluindo mas não se limitando a, maganetas anti-choque, correias de transmissão, embraiagens, lâminas de recortadores de sebes ou corta-relvas, arneses, cabos de acelerador, escovas de carvão, cabos eléctricos, dentes, anilhas de feltro, pinos de engate, ventoinhas do soprador, tubos do soprador e do aspirador, cintas e sacos do aspirador, barras de guia, correntes de serra, mangueiras, peças de ligação, bocais de pulverização, rodas, varinhas de pulverização, bobinas interiores, bobinas exteriores, linhas de corte, velas de ignição, filtros do ar, filtros de gasolina, lâminas trituradoras, etc.
4. Para assistência, o produto tem de ser enviado para, ou apresentado em, um posto de assistência autorizado RYOBI, conforme listado para cada país na lista de moradas de postos de assistência seguinte. Nalguns países, o seu concessionário RYOBI local encarega-se de enviar o produto para a organização de assistência RYOBI. Quando enviar um produto para um posto de assistência RYOBI, o produto deve ser embalado de forma segura, sem conter nenhuns conteúdos perigosos (por exemplo, gasolina), marcado com o endereço do remetente e acompanhado por uma breve descrição da avaria.
5. Uma reparação/substituição ao abrigo desta garantia é gratuita. Não constitui um prolongamento a, nem um novo início de, o período da garantia. As peças ou ferramentas substituídas tornam-se propriedade nossa. Nalguns países, o remetente terá de pagar os custos de entrega ou a remessa postal. Os seus direitos previstos por lei resultantes da compra da ferramenta mantêm-se inalterados
6. Esta garantia é válida na Comunidade Europeia, Suíça, Islândia, Noruega, Liechtenstein, Turquia e Rússia. Fora destas áreas, entre em contacto com o seu concessionário autorizado RYOBI para determinar se existe outra garantia aplicável.

CENTRO DE ASSISTÊNCIA AUTORIZADO

Para encontrar um centro de assistência autorizado próximo de si, visite <http://pt.ryobitools.eu/header/service-and-support/service-agents>.

DA RYOBI® BETINGELSER FOR GARANTI

Udover lovbestemte rettigheder, som resulterer af købet, er dette produkt dækket af en garanti, som anført herunder.

1. Garantiperioden er 24 måneder for forbrugere og begynder på den dato, som produktet blev købt. Denne dato skal dokumenteres af en faktura eller andet bevis for køb. Produktet er udelukkende designet og dedikeret til forbrugere og privat brug. Så der ydes ingen garanti til fælde af professionel eller kommerciel brug.
2. Der er en mulighed for at forlænge garantiperioden for en del af udvalget af haveværktøj (AC/DC), hen over den ovenfor beskrevne periode vha. registrering på hjemmesiden www.ryobitools.eu. Berettigelsen af værktøjet til forlængelse af garantiperioden er tydeligt vist i butikker og/eller på emballage/og indeholdt i produktokumentationen. Slutbruger skal registrere hans/hendes nyligt indkøbte værktøj online indenfor 30 dage efter købsdatoen. Slutbruger kan registrere sig for den forlængede garanti i sit land, hvis han/hun er opført på den online registreringsformular, hvor denne mulighed er gyldig. Derudover skal slutbrugere give deres samtykke til at opbevare data, som er påkrævet til indtaste online, og de er nødt til at acceptere vilkår og betingelser. Registreringsbekræftelseskvitteringen, som sendes ud på e-mail, og den originale faktura, som viser købsdatoen, vil fungere som bevis for den forlængede garanti.
3. Garantien dækker alle defekter, som et produkt måtte have i løbet af garantiperioden, og som skyldes produktionsfejl eller materialefejl på købsdatoen. Garantien er begrænset til reparation og/eller udskiftning og inkluderer ikke andre forpligtelser, inklusiv men ikke begrænset til tilfældige skader eller følgeskader. Garantien er ugyldig, hvis produktet er blevet misbrugt, brugt uden at overholde vejledningen, eller det er blevet forkert tilslett. Denne garanti gælder ikke:
 - Beskadigelse af produktet, som er et resultat af uegnet vedligeholdelse
 - Et produkt der er blevet ændret eller modificeret
 - Et produkt hvor de originale identifikationsmærkninger (varemærke, serienummer) er blevet ødelagt, ændret eller fjernet.
 - Enhver beskadigelse forårsaget af manglende overholdelse af vejledningen
 - Ethvert ikke CE-produkt
 - Ethvert produkt som er blevet forårsaget af en ukvalificeret professionel eller uden tidligere foranstaltning af Technonic Industries.
 - Ethvert produkt som er tilslettet uegnet strømforsyning (ampere, spænding, frekvens)
 - Ethvert produkt som bruges med uegnet brændstoftilblanding (brændstof, olie, procentdel olie)
 - Enhver skade forårsaget af ekstern påvirkning (kemisk, fysisk, chok) eller fremmedelementer
 - Normal slid på reservedele
 - Uegnet brug, overbelastning af værktøjet
 - Brug af ikke-godkendt tilbehør eller dele
 - Alle regelmæssige justeringer eller vedligeholdelsesrengøring af karburatorer
 - Komponenter (dele og tilbehør) som er udsat for naturlig slid og ælde, inklusiv men ikke begrænset til drejeknapper, drivrem, greb, klinger til hæktrimmere eller plæneklippere, sele, kabel gasspjæld, kulbørster, elledning, tænder, filtskiver, ophængstapper, blæserventilatorer, blæser- og sugeslanger, sugespøse og stropper, styrestænger, savkæder, slanger, forbindelsespakninger, sprøjtedyser, hjul, sprøjtetave, indvendige ruller, udvendige ruller, udvendige spoler, skærelinjer, tændrør, luftfilter, gasfilter, tildækningsblade etc.
4. For eftersyn skal produktet sendes til eller præsenteres for en RYOBI- autoriseret service værksted, som er oplyst for hvert land i den følgende liste over service værksted adresser. I nogle lande påtager din lokale RYOBI-forhandler sig ansvaret for at sende produktet til RYOBI-serviceorganisationen. Når et produkt sendes til en RYOBI-service værksted, skal det pakkes sikkert ind uden noget farligt indhold som benzin, mærkes med afsenderens adresse og med en kort beskrivelse af fejlen.
5. En reparation/erstatning under denne garanti er gratis. Den udgør ikke en forlængelse eller en ny start på garantiperioden. Uvedligede dele eller værktøjer bliver vores ejendom. I nogle lande skal leveringsafgifter eller porto betales af afsenderen. Dine lovbestemte rettigheder i forbindelse med købet forbliver uanfægtede
6. Denne garanti gælder i EU, Schweiz, Island, Norge, Liechtenstein, Tyrkiet og Rusland. Udenfor disse områder bedes du kontakte din autoriserede RYOBI-forhandler for at afgøre, om en anden garanti gælder.

AUTORISEREDE SERVICEVÆRKSTEDER

Find nærmeste autoriserede serviceværksted på <http://dk.ryobitools.eu/header/service-and-support/service-agents>.

SV RYOBI® ANVÄNDNINGSVILLKOR FÖR GARANTI

Förutom eventuella lagstadgade rättigheter som uppstår genom köpet, täcks den här produkten av en garanti som anges nedan.

- Garantiperioden är 24 månader för konsumenter och börjar gälla från det datum då produkten köptes. Detta datum måste dokumenteras på en faktura eller annat köpbevis. Produkten är utformad och avsedd för konsumenter och privat bruk. Därmed tillhålls ingen garanti vid yrkesmässigt eller kommersiellt bruk.
- Det finns möjlighet att förlänga garantiperioden för en del av utbudet för trädgårdsverktyg (AC/DC) under den period som anges ovan genom att använda registreringen på webbplatsen www.ryobitools.eu. De verktyg som är berättigade till en förlängning av garantiperioden visas tydligt i butiker och/eller på förpackningen och anges i produktdokumentationen. Slutanvändaren behöver registrera hans/hennes nyförvävade verktyg online inom 30 dagar från köpdatumet. Slutanvändaren kan registrera sig för den förlängda garantin i det land där han/hon bor om landet finns angivet i registreringsformuläret online och där detta alternativ är giltigt. Dessutom måste slutanvändaren ge sitt medgivande till lagring av data vilket krävs vid registrering online samt acceptera villkoren. Bekräftelsekvittot för registreringen som skickas ut via e-post och originalfakturan som visar köpdatumet kommer att gälla som bevis för den förlängda garantin.
- Garanti täcker alla produktdefekter under garantiperioden som beror på brister i utförande eller material vid köpdatumet. Garantin är begränsad gällande reparation och/eller utbyte och inkluderar inte några skyldigheter inklusive men inte begränsat till oförutsedda skador eller följdskador. Garantin är inte giltig om produkten har missbrukats, använts i strid med bruksanvisningen eller inte anslutits på rätt sätt. Denna garanti täcker inte:
 - eventuella skador på produkten som uppstått till följd av felaktigt underhåll
 - produkter som har ändrats eller modifierats
 - produkter där ursprungliga identifieringsmärkningarna (varumärke, serienummer) har målats över, ändrats eller tagits bort
 - eventuella skador som uppstått till följd av att bruksanvisningen inte efterföljts
 - alla icke CE-produkter
 - eventuella produkter som har försökts repareras av en icke-kvalificerad yrkesman eller utan föregående medgivande från Techtronic Industries.
 - eventuella produkter som anslutits till felaktig strömförsörjning (ampere, volt, frekvens)
 - eventuella produkter som använts med olämplig bränsleblandning (bränsle, olja, oljeprocent)
 - eventuella skador som uppstått till följd av yttre påverkan (kemisk, fysisk, stöt) eller främmande ämnen
 - normalt slitage av reservdelar
 - olämplig användning, överbelastning av verktyget
 - användningen av icke-godkända tillbehör eller delar
 - Eventuella periodiska justeringar av eller vid underhållsrengöring av förgasare
 - Komponenter (delar och tillbehör) är föremål för naturligt slitage, inklusive men inte begränsat till tryckknappar, drivremmar, koppling, blad till kantrimrar eller gräsklippare, sele, gasreglagevajer, kolborstar, strömladd, spetsar, filtbrickor, kopplingsprint, blåsfäkt, blås- och sugrör, sugpåse och remmar, styrskenor, sägkedjor, slangar, anslutningsdonördel, spraymunstycken, hjul, spraystavar, innerrullar, ytterspolar, skärtråd, tändstift, luftfilter, gasfilter, sönderdelningsblad osv.
- Vid service måste produkten skickas eller uppvisas för en RYOBI- auktoriserad servicestation som står angiven för varje land i följande adresslista över servicestationer. I vissa länder tar din lokala RYOBI- återförsäljare på sig ansvaret att skicka produkten till RYOBI- serviceorganisationen. När en produkt skickas till en RYOBI-servicestation, ska produkten paketeras säkert utan något farligt innehåll såsom bensin, markeras med avsändarens adress samt en kort beskrivning av felet.
- En reparation/ett utbyte under denna garanti är kostnadsfri. Det utgör inte en förlängning eller förnyelse av garantiperioden. Utbyta delar eller verktyg blir vår egendom. I vissa länder måste leveranskostnader eller porto betalas av avsändaren. Dina lagstadgade rättigheter som härrör från köpet av verktyget förblir opåverkade
- Denna garanti är giltig i Europeiska gemenskapen: Schweiz, Island, Norge, Liechtenstein, Turkiet och Ryssland. Utanför dessa länder, kontakta din auktoriserade RYOBI-återförsäljare för att avgöra om en annan garanti gäller.

AUKTORISERAT SERVICECENTER

Du hittar närmaste auktoriserade servicecenter genom att gå till <http://se.ryobitools.eu/header/service-and-support/service-agents>.

FI RYOBI®-TAKUUN SOVELTAMISEHDOT

Tällä tuotteella on oston luomien lakisäästeisten oikeuksien ohella alla mainitun mukainen takuu.

- Takuun kesto on kuluttajille 24 kuukautta ja takuuaika alkaa tuotteen ostohetkestä. Tämän päivämäärän tulee lukea laskussa tai muussa ostositteissa. Tuote on suunniteltu ja tarkoitettu vain kuluttajien ja yksityiseen käyttöön. Takuu ei siis kata ammatti- eikä kaupallista käyttöä.
- Joidenkin puutarhatyökalujen (AC/DC) takuun kesto on mahdollista laajentaa yllä mainitua kesto pidemmäksi verkkosivuston www.ryobitools.eu rekisteröinnin kautta. Työkalujen kelpoisuus takujakson laajennukseen näkyy selkeästi myymälöissä ja/tai pakkauskissa ja/tai tämä tieto säilyy tuotedokumentaatiossa. Loppukäyttäjän täytyy rekisteröidä vasta hankittu työkalu internetissä 30 päivän kuluessa ostopäivämäärästä. Loppukäyttäjän voi rekisteröidä laajennetun takuun kotimaassaan, jos se on luettuna online-rekisteröintilomakkeessa, jossa mainitaan, missä tämä vaihtoehto on voimassa. Loppukäyttäjien täytyy lisäksi hyväksyä tietojen tallennus, jotka heidän täytyy antaa online-tilassa sekä ehdot. Rekisteröinnin vahvistuskuitti, joka lähetetään sähköpostitse, ja alkuperäinen ostopäivämäärän ilmaiseva lasku toimivat laajennetun takuun tositteina.
- Takuu kattaa kaikki tuotteen takuuaikana tulevat viat, joiden aiheuttajina ovat tuotteen ostopäivän olleet valmistus- tai materiaali viat. Takuu on rajoitettu korjaukseen ja/tai vaihtoon eikä se sisällä mitään muita velvoitteita mukaan lukien satunnais- ja seurannaisvahinkoja, mutta rajoittumatta niihin. Takuu ei päde, jos tuotetta on käytetty väärin, käyttöohjeen vastaisesti tai jos se on liitetty virheellisesti. Tämä takuu ei kata:
 - virheellisesti huolosta johtuvia vaurioita
 - muunnettua tai muutettua tuotetta
 - tuotetta, jonka alkuperäiset tunnistemerkinnät (tavaramerkki, sarjanumero) on turmeltu, muutettu tai poistettu
 - tämän käyttööppaan laiminlyönnistä johtuvia vaurioita
 - ei-CE-tuotetta
 - tuotetta, jota on yrittänyt korjata epäpätevä ammattilainen tai joka on rajoittu ilman Techtronic Industries ennakkolupaa.
 - tuotetta, joka on liitetty virheelliseen teholahteeseen (ampeirit, jännite, taajuus)
 - tuotetta, jossa on käytetty väärää polttoaineseosta (polttoaine, öljy, öljyprosentti)
 - ulkoisten vaikutusten (kemiallinen, fyysinen, iskut) tai vieraiden aineiden aiheuttamaa vauriota
 - normaaleja kuluvia varaosia
 - virheellistä käyttöä, työkalun ylikuormitusta
 - ei-hyväksytytjen tarvikkeiden tai osien käyttöä
 - Kaasutinten säännöllistä säätöä tai ylläpitävää puhdistusta
 - Luonnollisesti kuluvia komponentteja (osia tai tarvikkeita), joihin sisältyvät puskunupit, käyttöihinat, kytkin, pensasleikkuriin tai ruohonleikkuriin terät, valjaat, kaasuvaijeri, hiiharijat, virtajohto, piikit, huopatiivisteet, sokkatapit, puhallinten tuuletimet, puhallin- ja imuputket, imuriin säkit ja hinnat, terälevyt, sahankeijut, letkut, liitososat, suihkusuiuttimet, pyörät, ruiskutusputket, sisä- ja ulkokelat, leikkuusuiimat, hehkutulpat, ilmansuodattimet, kaasusuodattimet, silppuperät yms. näihin kuitenkin rajoittumatta.
- Tuote on lähetettävä huollettavaksi valituttuun RYOBI-huoltoon tai näytettävä silleä. Niiden osissaett kussakin maassa lälytyvät seuraavasta luettelosta. Joissakin maissa paikallinen RYOBI-jälleenmyyjä huolehtii tuotteen lähetyksestä RYOBI-huolto-organisaatioon. Kun tuote lähetetään RYOBI-huoltoon, se täytyy pakata hyvin ilman vaarallisia aineita, kuten polttoainetta, ja pakkaukseen täytyy merkitä lähettäjän nimi sekä vian lyhyt kuvaus.
- Takuun kattama korjaus/vaihto on maksuton. Se ei tarkoita takuujajan laajennusta tai alkamista alusta. Vahdetut osat tai työkalut siirtyvät valmistajan omistukseen. Joissakin maissa lähettäjän täytyy maksaa lähetyskustannukset tai postikulut. Työkalun oston luomat lakisäästeiset oikeudet pysyvät koskemattomina
- Tämä takuu on voimassa Euroopan yhteisössä, Sveitsissä, Islannissa, Norjassa, Liechtensteinissa, Turkissa ja Venäjällä. Ota näiden alueiden ulkopuolella yhteyttä omaan valituttuun RYOBI-jälleenmyyjään ja selvitä, onko jotain muuta takuuta.

VALTUUTETTU HUOLTO

Voit etsiä lähimmän valtutetun huollon sivulta <http://fi.ryobitools.eu/header/service-and-support/service-agents>.

NO RYOBI® GARANTIBETINGELSER

I tillegg til eventuelle lovbestemte rettigheter som følger av kjøpet, er dette produktet dekket av en garanti som angitt nedenfor.

- Garantiperioden er 24 måneder for konsumenter og gjelder fra den datoen som produktet ble kjøpt. Denne datoen skal dokumenteres med en faktura eller annet kjøpsbevis. Produktet er designet og beregnet kun til konsument- og privat bruk. Så det gis ingen garanti ved profesjonell eller kommersiell bruk.
- For en del av utvalget av hageverktøy (AC/DC) er det mulighet til å utvide garantiperioden i den perioden som er beskrevet ovenfor ved bruk av registreringene på nettstedene www.ryobitools.eu. Kvalifiseringen av verktøyene for en utvidelse av garantiperioden er tydelig vist i butikker og 7eller på pakningen / og finnes innen produktdokumentasjonen. Sluttbrukeren må registrere sine nylig anskaffede verktøy online innen 30 dager etter kjøpsdato. Sluttbrukeren kan registrere seg for den utvidede garantien i sitt land hvis det er opplistet på online registreringsskjemaet der dette alternativet er gyldig. Videre må sluttbrukere gi sitt samtykke til oppbevaring av dataene som kreves for å gå online, og de må godta vilkår og betingelser. Registreringsbekreftelsen, som sendes ut på e-post, og den originale fakturaen som viser kjøpsdato, vil tjene som bevis for den utvidede garantien.
- Garantien dekker alle defekter i produktet under garantiperioden på grunn av defekter i utførelse eller materiale på kjøpsdato. Garantien er begrenset til å reparere og/eller erstatte og inkluderer ikke noen andre forpliktelser, inkludert, men ikke begrenset til, tilfældige eller følgesmessige skader. Garantien er ikke gyldig hvis produktet har blitt misbrukt, brukt på annen måte enn det som beskrives i bruksanvisningen eller er koblet til på feil måte. Denne garantien gjelder ikke for:
 - enhver skade på produktet som er resultat av utilstrekkelig vedlikehold
 - ethvert produkt som har blitt endret eller modifisert
 - ethvert produkt der de originale identifiseringsmerkene (varemerke, serienummer) har blitt uleselig, er endret eller fjernet
 - enhver skade som forårsakes av ikke-overholdelse av instruksjonshåndboken
 - ethvert ikke-CE-produkt
 - ethvert produkt som har blitt forsøkt reparert eller av en ikke-kvalifisert fagperson eller uten tidligere autorisasjon fra Technonic Industries.
 - ethvert produkt tilkoblet feil strømforsyning (ampere, spenning, frekvens)
 - ethvert produkt som brukes med feil drivstoffblanding (drivstoff, olje, prosentandel olje)
 - enhver skade som er forårsaket av eksterne påvirkninger (kjemiske, fysiske, støt) eller fremmede stoffer
 - normal slitasje og sliteservvedeler
 - feil bruk, overbelastning av verktøyet
 - bruk av ikke-godkjent tilbehør eller deler
 - Eventuelle periodiske justeringer av eller vedlikeholdsrengjøring av forbrennere
 - Komponenter (deler og tilbehør) som er underlagt naturlig slitasje, inkludert, men ikke begrenset til bulkknøtter, drivreimer, clutch, blader på hektrimmere eller gressklippere, seler, kabelspjeld, karbonbørster, strømledning, kniver, feltpakninger, heispinner, blåseviser, blåse- og vakuumslang, vakuumpose og reimer, førerstenger, sagkjeder, strømpere, koblingsmonteringer, spraydyser, hjul, spraystenger, indre spoler, ytre spoler, kuttelinjer, tennplugg, luftfilter, gassfilter, mulchingblader osv.
- For service må produktet sendes eller fremlegges for en RYOBI- autorisert servicestasjon opplistet for hvert land i den følgende listen over servicestasjonsadresser. I noen land sender den lokale RYOBI-forhandleren produktet til RYOBI serviceorganisasjonen. Ved å sende et produkt til en RYOBI servicestasjon skal produktet være sikkert pakket uten noe farlig innhold, slik som bensin, merket med senderens adresse og fulgt av en kort beskrivelse av feilen.
- En reparasjon/erstatning under denne garantien er gratis. Den utgjør ingen forlengelse eller en ny start av garantiperioden. Utvekslede deler eller verktøy blir vår eiendom. I noen land vil leveringskostnader eller franking måtte betales av senderen. Dine lovbestemte rettigheter som oppstår fra kjøp av verktøyet forblir uberørt.
- Denne garantien er gyldig i EU, Sveits, Island, Norge, Liechtenstein, Tyrkia og Russland. Utenfor disse områdene ta kontakt med din autoriserte RYOBI-forhandler om en annen garanti gjelder.

AUTORISERT SERVICESENTER

For å finne et autorisert servicecenter i nærheten, gå til <http://no.ryobitools.eu/header/service-and-support/service-agents>.

RU УСЛОВИЯ ПРИМЕНЕНИЯ ГАРАНТИИ НА ПРОДУКЦИЮ RYOBI®

Помимо законных прав, возникающих при покупке, данное изделие покрывается гарантией в соответствии с приведенными ниже пунктами.

- Гарантийный период для покупателя составляет 24 месяца с даты покупки изделия. Дата покупки должна быть подтверждена полностью заполненным гарантийным талоном и чеком о покупке. Данное изделие предназначено только для частного использования покупателем. Поэтому гарантия не распространяется на использование в профессиональных или коммерческих целях.
- Предусмотрена возможность продления для части изделий линейки садовых инструментов (AC/DC) гарантийного периода с помощью регистрации на сайте www.ryobitools.eu. Право инструмента на продление гарантийного периода четко указано в магазинах и / или на упаковке / и содержится в сопутствующей инструменту документации. Конечный пользователь должен зарегистрировать свой приобретенный инструмент в течение 30 дней с даты покупки. Конечный пользователь может зарегистрировать свой инструмент на продление гарантии в стране своего проживания, если она указана в форме онлайн-регистрации. Кроме того, конечный пользователь должен дать свое согласие на хранение данных, которое необходимо ввести в онлайн-форму и принять правила и условия. Подтверждение регистрации, которое вы получите по электронной почте, заполненный гарантийный талон и оригинальный чек, в котором указана дата покупки, будут служить доказательством продленной гарантии.
- Гарантия покрывает в течение гарантийного периода все дефекты качества или материала изделия на дату покупки. Гарантия ограничена ремонтом и / или заменой и не включает никакие другие обязательства, включая, но не ограничиваясь случайными или косвенными убытками. Гарантия становится недействительной, если изделие использовалось не по назначению, вопреки инструкциям, данным в Руководстве пользователя или было неправильно подключено. Настоящая гарантия не распространяется на:
 - любые повреждения изделия в результате неправильного технического обслуживания или недостаточного ухода за инструментом
 - любые изделия, подвергшиеся изменениям и модификации
 - любые изделия, оригинальные идентификационные отметки которого (торговая марка, серийный номер) были повреждены, изменены или удалены
 - любые повреждения, вызванные несоблюдением инструкций Руководства пользователя
 - любые изделия, не сертифицированные маркировкой "CE" для продажи в Европейском союзе
 - любые изделия, подвергшиеся попыткам ремонта неквалифицированным работником или без предварительного утверждения компанией Technonic Industries.
 - любые изделия, подключенные к неправильному источнику питания (сила тока, напряжение, частота)
 - любые изделия, в которых использовались несоответствующие топливные смеси (топливо, масло, процент масла)
 - любые повреждения, вызванные внешними воздействиями (химические, физические, удары) или посторонними веществами
 - естественный износ запасных деталей
 - несоответствующее использование, перегрузка инструмента
 - использование неутвержденных аксессуаров и неоригинальных запасных деталей
 - любые регулярные регулировки, техническое обслуживание или чистка карбюраторов
 - компоненты (детали и аксессуары), подверженные естественному износу, включая, но не ограничиваясь фиксаторы шпильки приводные ремни, ценные муфты, лезвия триммеров и газонокосилок, плечевые ремни, кабельный дроссельный регулятор, угольные щетки, кабели питания, зубья, войлочные шайбы, фиксирующие шпильки, вентиляторы воздуходувки, трубки воздуходувки и пылесоса, мешок для сбора мусора и ремни, пыльные шины, пыльные цепи, шланги, соединительные детали, распылительные насадки, колеса, распрыскивательные переходники, внутренние катушки и шпильки, режущую леску, свечи зажигания, воздушные и топливные фильтры, мульчирующие лезвия и др.
- Для проведения технического обслуживания изделие следует направлять в авторизованные сервисные центры RYOBI, указанные для каждой страны в приведенном ниже списке адресов станций сервисного обслуживания. В некоторых странах местные дилеры RYOBI отправляют изделия в сервисные организации RYOBI. При отправке изделия в сервисный центр RYOBI, изделие должно быть безопасно упаковано и не содержать никаких опасных веществ, таких как бензин, должен быть подписан адрес отправителя и сопровождаться кратким описанием неисправности.
- Ремонт / замена проводится в рамках настоящей гарантии бесплатно. Он не продлевает гарантию и не начинает новый гарантийный период. Заменяемые детали и инструменты становятся нашей собственностью. В некоторых странах отправитель должен оплачивать стоимость отправки. Ваши законные права, возникающие при покупке инструмента, остаются неизменными
- Данная гарантия действительна в Европейском Сообществе, Швейцарии, Исландии, Норвегии, Лихтенштейне, Турции и России. Вне указанных территорий обращайтесь к своему авторизованному дилеру RYOBI, чтобы узнать, применяются ли условия каких-либо других гарантий.

УПОЛНОМОЧЕННЫЙ СЕРВИСНЫЙ ЦЕНТР

Чтобы найти ближайший уполномоченный сервисный центр, обратитесь к веб-сайту <http://ru.ryobitools.eu/header/service-and-support/service-agents>.

PL WARUNKI GWARANCJI RYOBI®

Oprócz praw ustawowych wynikających z zakupu produkt jest objęty gwarancją, której warunki podano poniżej.

- Okres gwarancyjny wynosi 24 miesiące dla konsumentów i rozpoczyna się w dniu zakupu produktu. Datę zakupu należy udokumentować fakturą lub innym dowodem zakupu. Produkt został zaprojektowany i jest przeznaczony do użytku komercyjnego i prywatnego. W związku z tym gwarancja nie obejmuje zastosowań profesjonalnych i komercyjnych.
- Istnieje możliwość wydłużenia okresu gwarancyjnego dla części asortymentu narzędzi ogrodniczych (AC/DC) poprzez zarejestrowanie produktu na stronie internetowej www.ryobitools.eu. Kwalifikowalność narzędzi do wydłużenia okresu gwarancyjnego jest wyraźnie określona w sklepach i/lub na opakowaniu oraz w dokumentacji produktu. Użytkownik końcowy musi zarejestrować nowo kupione narzędzia online w ciągu 30 dni od daty zakupu. Użytkownik końcowy może zarejestrować się w celu przedłużenia gwarancji w swoim kraju zamieszkania, jeżeli jest on wymieniony w formularzu rejestracji online, gdzie opcja ta obowiązuje. Ponadto użytkownicy końcowi muszą wyrazić zgodę na przechowywanie danych, wprowadzanych na stronie internetowej i zaakceptować regulamin. Dowodem wydłużenia gwarancji jest wysłane pocztą elektroniczną potwierdzenie rejestracji i oryginalny faktur potwierdzający datę zakupu.
- Gwarancja obejmuje wszystkie wady produktu ujawnione w okresie gwarancyjnym wynikające usterek wykonania lub materiału obecnego w dniu zakupu. Gwarancja jest ograniczona do naprawy i/lub wymiany i nie obejmuje żadnych innych zobowiązań, w tym między innymi odpowiedzialności za szkody przypadkowe lub wtórne. Gwarancja nie obowiązuje, jeżeli produkt był nieprawidłowo używany, używany niezgodnie z instrukcją lub nie był prawidłowo podłączony. Gwarancja nie obejmuje:
 - uszkodzenia produktu wynikającego z nieprawidłowej konserwacji,
 - produktu, który został zmieniony lub zmodyfikowany,
 - produktu, którego oryginalne oznaczenie (znak towarowy, numer seryjny) zostało zniszczone, zmienione lub usunięte,
 - jakichkolwiek uszkodzeń wynikających z nieprzestrzegania instrukcji,
 - jakiegokolwiek produktu bez certyfikatu CE,
 - jakiegokolwiek produktu, który próbowano naprawiać z pomocą niewykwalifikowanej osoby lub bez uzyskania wcześniejszej zgody firmy Techtronic Industries.
 - jakiegokolwiek produktu podłączonego nie nieprawidłowego źródła zasilania (nieprawidłowe napięcie prądu, napięcie, czystość),
 - jakiegokolwiek produktu, który był używany z nieprawidłową mieszanką paliwową (paliwo, olej, procentowy udział oleju),
 - jakichkolwiek uszkodzeń spowodowanych wpływem czynników zewnętrznych (chemicznych, fizycznych, drgań) lub substancji obcych,
 - normalnego zużycia części zamiennych,
 - nieprawidłowego użycia, przeciążenia narzędzia,
 - stosowania niezatwierdzonych akcesoriów lub części,
 - jakichkolwiek okresowych regulacji lub czyszczenia gaźników w ramach konserwacji
 - elementów (części i akcesoriów) podlegających naturalnemu zużyciu, obejmujących, między innymi, kopułki do zwalniania żyłki, pasy napędowe, sprzęgło, ostrza przycinarek do żywoptłotów lub kosiarzek do trawy, uprząż, przepustnicę linkową, szczołki węglowe, przewód zasilania, zęby, podkładki filcowe, kołki podnośnika, wentylatory dmuchawy, rury nadmuchowe i ssawne, worek na śmieci i paski, prowadnice, łańcuchy piły, węże, mocowanie złącz, dysze natryskowe, koła, oprsy natryskowe, szpule wewnętrzne, szpule zewnętrzne, filtry gazu, zesty do ściołkowania itp.
- W celu serwisowania produkt należy wysłać lub okazać w autoryzowanym punkcie serwisowym RYOBI znajdującym się na przedstawionym poniżej wykazie punktów serwisowych w poszczególnych krajach. W niektórych krajach lokalny dystrybutor produktów RYOBI podejmuje się wysyłki produktu do centrum serwisowego RYOBI. W przypadku wysyłki do punktu serwisowego RYOBI produkt — pozbawiony jakichkolwiek niebezpiecznych substancji, na przykład benzyny — należy bezpiecznie zapakować i dołączyć adres nadawcy oraz krótki opis usterek.
- Naprawa/wymiana w ramach niniejszej gwarancji jest bezpłatna. Nie stanowi jednak o przedłużeniu lub rozpoczęciu od nowa biegu okresu gwarancyjnego. Wymienione części lub narzędzia stają się naszą własnością. W przypadku niektórych krajów nadawca będzie musiał uregulować koszty dostawy lub opłaty pocztowe. Prawa ustawowe wynikające z zakupu narzędzia pozostają niezmienione.
- Niniejsza gwarancja obowiązuje w Unii Europejskiej, Szwajcarii, Islandii, Norwegii, Liechtensteinie, Turcji i Rosji. Poza tymi obszarami należy skontaktować się z autoryzowanym dostawcą produktów RYOBI i ustalić, czy obowiązuje inna gwarancja.

AUTORYZOWANY PUNKT SERWISOWY

Najbliższy autoryzowany punkt serwisowy można wyszukać w witrynie internetowej <http://pl.ryobitools.eu/header/service-and-support/service-agents>.

CS ZÁRUČNÍ PODMÍNKY RYOBI®

Kromě zákonných práv vyplývajících z koupě výrobku se na tento výrobek vztahuje také níže uvedené záruka.

- Záruční doba pro spotřebitele je 24 měsíců a začíná datem nákupu výrobku. Datum musí být zaznamenáno na faktuře nebo jiném dokladu o koupi. Tento výrobek je navržen a určen pouze pro soukromé účely spotřebitelů. Záruka se tedy nevztahuje na profesionální nebo komerční využití výrobku.
- U některých zahradních nástrojů (AC/DC) je možné záruční dobu prodloužit. K tomu je nutná registrace na stránkách www.ryobitools.eu. Možnost prodloužené záruční doby výrobků je jasně uvedena v prodejních, popř. na obalech nebo v dokumentech o výrobku. Koncový uživatel musí svůj nový nástroj zaregistrovat online do 30 dnů od data nákupu. Koncový uživatel se může k prodloužené záruční době zaregistrovat v zemi trvalého pobytu, pokud je tato uvedena na internetovém registračním formuláři u výrobku, kde je tato možnost dostupná. Koncoví uživatelé musí dále souhlasit s uložením osobních údajů, která musí zadat na internetu, a přijmout obchodní podmínky. E-mail s potvrzením registrace a původní faktura s datem koupě poslouží jako důkaz o prodloužené záruce.
- Záruka se vztahuje na veškeré vady na výrobku v rámci záruční doby způsobené výrobními vadami nebo vadami materiálu v době koupě. Záruka je omezena na opravu, popřípadě výměnu a nezahrnuje žádné další povinnosti, včetně mimo jiné vedlejších či následných odškodnění. Záruka neplatí při použití výrobku k nevhodným účelům, v rozporu s uživatelskou příručkou nebo při nesprávném zapojení. Záruka se nevztahuje na:
 - veškeré škody na výrobku způsobené nesprávnou údržbou
 - veškeré produkty, které byly pozměněny nebo opraveny
 - veškeré produkty, kde byly původní identifikační prvky (obchodní značka, sériové číslo) poničeny, pozměněny nebo odstraněny
 - veškeré škody způsobené nedodržováním pokynů uživatelské příručky
 - veškeré produkty bez CE certifikace
 - veškeré produkty, které se pokusil opravit nekvalifikovaný odborník nebo opravy bez předchozího svolení společnosti Techtronic Industries.
 - veškeré produkty zapojené do nesprávného elektrického zdroje (proud, napětí, frekvence)
 - veškeré produkty používané s nevhodnou palivovou směsí (palivo, olej, procento oleje)
 - veškeré škody způsobené externími vlivy (chemickými, fyzickými, nárazy) nebo cizími látkami
 - běžné opotřebování dílů
 - nevhodné použití, přetěžování nástroje
 - použití neschválených příslušenství nebo dílů
 - veškerá pravidelná seřízení nebo čištění v rámci údržby karburátorů
 - komponenty (díly a příslušenství) podléhající opotřebení, včetně mimo jiné nárazových koleček, posuvných pásů, spojek, nožů plotových nůžek a sekaček na trávu, popruhu, plynového lanka, karbonových kartáčů, napájecího kabelu, zubů, plstěných podložek, závažných kolků, větráků fukaru, trubic fukaru a vysavače, vaku a popruhů vysavače, vodících lišt, pilových řetězů, hadic, konektorů, trysek, kol, stříkacích tyčí, vnitřních cívek, vnějších kotoučů, řezných strun, zapalovacích svíček, vzduchových filtrů, plynových filtrů, mulčovačích nožů atd.
- K provedení servisu musí být výrobek zaslán nebo předán do autorizovaného servisního centra společnosti RYOBI, jejichž adresy jsou uvedeny podle zemi v seznamu servisních center. V některých zemích za vás výrobek pošle servisní organizaci RYOBI sám prodejce výrobků této značky. Při zaslání výrobku do servisního centra RYOBI je potřeba výrobek bezpečně zabalit bez nebezpečného obsahu jako benzín, opatřit adresou odesílatele a připojit krátký popis závady.
- Oprava, popř. výměna v rámci této záruky je zdarma. Neznamená to prodloužení nebo začátek nové záruční lhůty. Vyměněné díly nebo nástroje přejdou do našeho vlastnictví. V některých zemích platí poštovné odesílatele. Vaše zákonná práva vyplývající z koupě tohoto nástroje zůstávají nedotčená.
- Tato záruka platí v Evropském Společenství, Švýcarsku, Norsku, Lichtenštejnsku, Turecku, Rusku a na Islandu. Mimo tato území kontaktujte autorizovaného prodejce značky RYOBI, který zjistí, zda se na výrobek vztahuje jiná záruka.

POVĚŘENÉ SERVISNÍ STŘEDISKO

Pro nalezení nejbližšího pověřeného servisního střediska navštivte <http://cz.ryobitools.eu/header/service-and-support/service-agents>.

HU A RYOBI® GARANCIA ALKALMAZÁSÁNAK FELTÉTELEI

A vásárlásból adódó törvényben rögzített jogok mellett a termékre az alábbi garancia vonatkozik.

1. A fogyasztói garancia tartama 24 hónap, mely a termék vásárlásának napjával kezdődik. Ezt a dátumot számlával vagy a vásárlást igazoló egyéb dokumentummal kell bizonyítani. A termék rendelkezése csak fogyasztói és magáncéllú használat. Ezért professzionális vagy kereskedelmi használat esetén a garancia nem érvényes.
2. A kerti szerszámok (egyenáramú/váltóáramú) egy részénél a garancia időtartama a www.ryobitools.eu weboldalon regisztrálva meghosszabbítható. Az áruházakban, a csomagoláson, illetve a termék dokumentációjában egyértelműen jelezzük, hogy az adott termék garanciája meghosszabbítható-e. A végfelhasználónak a vásárlás dátumától számított 30 napon belül regisztrálnia kell az újonnan vásárolt szerszámot. A végfelhasználó akkor regisztrálhat a kiterjesztett garanciára, ha az ország, ahol lakik, fel van sorolva az online regisztrációs űrlapon azon országok között, ahol választható ez az opció. Ezenkívül a végfelhasználónak bele kell egyeznie az online regisztrálás során szükséges adatok tárolásába, és el kell fogadnia a felhasználási feltételeket. A kiterjesztett garanciát a regisztráció beérkezésétől e-mailben küldött visszaigazolás és a vásárlás dátumát tartalmazó eredeti számla igazolja.
3. A garancia a termék vásárlásakor fennálló, a gyártás során keletkezett hibákra és anyaghibákra érvényes a garanciális időtartamon belül. A garancia csak a javításra/cseréire korlátozódik, és nem terjed ki semmilyen egyéb kötelezettségre, nem kizárólagosan ideértve a véletlen vagy szándékos rongálást. A garancia nem érvényes, ha a terméket nem megfelelően, a használati utasításban foglaltakkal ellentétben, illetve nem megfelelően csatlakoztatva használták. A garancia nem vonatkozik:
 - a terméket a nem megfelelő karbantartás következtében ért károsodásra – megváltoztatott vagy átalakított termékre
 - olyan termékre, melyen az eredeti azonosítókat (védjegy, sorozatszám) megrongálták, megváltoztatták vagy eltávolították
 - a használati utasítás be nem tartásából eredő kárra
 - CE jelöléssel nem rendelkező termékekre
 - olyan termékre, melyet nem képzett, illetve a Techtronic Industries által nem feljogosított szerelő javított
 - nem megfelelő (áramerősségű, feszültségű, frekvenciájú) áramforrásra csatlakoztatott termékre
 - nem megfelelő üzemanyag-keverékkel (üzemanyag, olaj, olaj aránya) használt termékre
 - külső (fizikai, utás) hatásokból vagy idegen anyagokból eredő károkra
 - a cserélhető alkatrészek természetes kopására és elhasználódására
 - a szerszám helytelen használatára, túlterhelésére
 - nem jóváhagyott tartozékok és alkatrészek használatára
 - A karburátorok rendszeres beállítása, karbantartása, tisztítása
 - A természetes kopásnak és elhasználódásnak kitett alkatrészek és kiegészítők, például (de nem kizárólag) damildobok, ékszíjak, foglalatok, sövényvágók és fűnyírók kése, heveder, gázbowden, szénkefék, tápkábel, kultivátorfogak, ficalátétek, akasztószögek, fűvókészülékek ventilátora, fűvő- és szívócsövek, szívózsák és pántok, terelőrudak, fűrészláncok, tömlők, csatlakozószervevények, permetezőfejek, kerekék, permetezőszárak, belső dobok, külső csévék, vágódamillók, gyűjtőgyertyák, légszűrők, gázsűrők, mulcsozókések stb.
4. A terméket javításra el kell vinni egy meghatalmazott RYOBI szervizbe; ezeket az egyes országokhoz a következő listában találja. Egyes országokban a helyi RYOBI kereskedő vállalja a termék elszállítását a RYOBI szervizbe. A terméket veszélyes tartalom, például benzín nélkül csomagolva, a feladó címét feltüntetve, a hiba rövid leírásával együtt küldje el a RYOBI szervizbe.
5. A jelen garancia hatálya alatt végzett javítás, illetve csere ingyenes. Nem jelenti a garanciális időtartam újraindulását. A kicserélt alkatrészek és szerszámok a mi tulajdonunkba kerülnek. Egyes országokban a szállítás vagy postázás költségét a feladó viseli. A vevőnek a szerszám megvásárlásából adódó törvényes jogai nem változnak.
6. Jelen garancia az Európai Közösségben, Svájcban, Izlandon, Norvégiában, Liechtensteinben, Törökországban és Oroszországban érvényes. E területen kívül kérdezze meg a RYOBI forgalmazót, hogy milyen garancia van érvényben.

HIVATALOS SZERVIZKÖZPONT

A legközelebbi hivatalos szervizközpont megtalálásához látogasson el a <http://hu.ryobitools.eu/header/service-and-support/service-agents>.

RO CONDIȚII DE APLICARE A GARANȚIEI PENTRU PRODUSELE RYOBI®

În plus față de condițiile statutare rezultate din achiziționarea acestui produs, acesta este acoperit de garanția stipulată mai jos.

1. Perioada de garanție este de 24 de luni pentru consumatori și începe de la data achiziționării produsului. Data de începere a garanției trebuie demonstrată cu o factură sau altă dovadă a cumpărării produsului. Produsul este destinat și conceput doar pentru utilizare în scopuri personale. Din acest motiv, nu se oferă garanție pentru utilizarea sa în scop profesional sau comercial.
2. Există posibilitatea de extindere a perioadei de garanție pentru gama de unelte electrice pentru grădină (de CA/CC) peste perioada stipulată mai sus prin înscrisura produsului pe website-ul www.ryobitools.eu. Eligibilitatea pentru perioada de extindere a garanției este afișată în mod clar în magazinele de vânzare și/sau pe ambalaj sau este inclusă în documentația livrată împreună cu produsul. Utilizatorul final este obligat să-și înregistreze produsul online în termen de maxim 30 de zile de la achiziția acestuia. Utilizatorul final poate înregistra produsul pentru garanția extinsă oferită în țara sa de rezidență dacă aceasta este listată în formularul de înregistrare online și dacă această opțiune este validă. În plus, utilizatorii finali trebuie să-și dea acordul pentru stocarea datelor personale solicitate la înregistrarea online și trebuie să accepte termenii și condițiile. Mesajul de confirmare a înregistrării, trimis prin e-mail și factura originală cu data achiziției vor dovedi perioada de garanție extinsă.
3. Garanția acoperă toate defecțiunile produsului survenite în perioada de garanție datorate defectelor de execuție sau materialelor folosite, începând cu data achiziției acestuia. Garanția este limitată la reparare și/sau înlocuire și nu include alte obligații, inclusiv, dar fără a se limita la daune accidentale sau rezultate pe cale de consecință. Garanția își pierde valabilitatea dacă produsul este utilizat necorespunzător, utilizat necorespunzător în instrucțiunile de utilizare din manualul cu instrucțiuni sau conectat incorect. Garanția nu se aplică în cazul:
 - oricărei defecțiuni survenite în urma înnecării necorespunzătoare a produsului
 - oricărui produs alterat sau modificat
 - oricărui produs la care inscripțiile cu datele de identificare (marca comercială, numărul de serie) au fost șterse, modificate sau îndepărtate
 - oricărei defecțiuni datorate neconformării cu instrucțiunile din manualul de utilizare
 - oricărui produs necertificat CE
 - oricărui produs asupra căruia au fost efectuate tentative de reparare de către personal necalificat sau fără autorizație prealabilă din partea Techtronic Industries.
 - oricărui produs conectat la o sursă de alimentare necorespunzătoare (curent, tensiune, frecvență)
 - oricărui produs utilizat cu un amestec de carburant necorespunzător (combustibil, ulei, proporții de adaos ulei)
 - oricărui defecțiuni datorate unor influențe externe (chimice, fizice, șocuri) sau substanțe străine
 - uzurii și fisurării normale a pieselor de rezervă
 - utilizării neadecvate, suprasolicitării uneltei
 - utilizării de piese și accesorii neaprobate
 - Operațiunile de curățare sau reglare periodică a carburatoarelor
- Componentele (piese și accesorii) supuse uzurii și defectării normale, care includ, fără a se limita la manșoane de protecție, curele de transmisie, ambreiaji, lamele de la tăietoarele de arbore sau gazon, harnașamente, cablu de accelerație, perii de cărbune, cordon de alimentare, dinți, discuri de păslă, știfturi de siguranță, ventilatoare de suflantă, tuburi de aspirare sau suflare, sac de colectare resturi și banda de susținere a acestuia, bare de ghidare, lanțuri de fierăstrău, furtunuri, accesorii de conectare, duze de pulverizare, volante, baghete de pulverizare, moșoare interne, carcase exterioare pentru moșoare, fire tăietoare, bujii, filtre de aer, filtre de gaz, lame de tocător, etc.
4. Pentru efectuarea reparațiilor, produsul trebuie trimis sau adus la un centru de reparații autorizat RYOBI din lista următoare de centre de reparații prezentate pentru fiecare țară. În anumite țări, reprezentatul local RYOBI va trimite produsul spre reparare la sediul central de reparații RYOBI. Atunci când trimiteți produsul spre reparare la un centru de reparații RYOBI, acesta trebuie ambalat în siguranță, fără conținut periculos (cum ar fi benzină), marcat cu adresa expeditorului și însoțit de o scurtă descriere a defectului.
5. Repararea/înlocuirea în perioada de garanție este gratuită. Aceasta nu este însoțită de o prelungire sau o reințiere a perioadei de garanție. Piesele sau uneltele schimbate devin proprietatea dvs. În anumite țări, taxele de expediție sau postale vor fi suportate de expeditor. Drepturile dvs. statutare rezultate din achiziția produsului rămân ne schimbate.
6. Această garanție este valabilă în Comunitatea Europeană, Elveția, Islanda, Norvegia, Liechtenstein, Turcia și Rusia. În afara acestor zone, vă rugăm să contactați reprezentantul dvs. local RYOBI pentru a determina dacă se aplică alt tip de garanție.

CENTRU DE SERVICE AUTORIZAT

Pentru a găsi un centru de service autorizat lângă dvs., vizitați <http://en.ryobitools.eu/header/service-and-support/service-agents>.

LV RYOBI® GARANTIJAS PIEMĒROŠANAS NOSACĪJUMI

Papildus jebkādam likumiskajām tiesībām, kuras rodas, veicot pirkumu, izstrādājums tiek nodrošināts ar tālāk tekstā noteikto garantiju.

1. Garantijas periods patērētājiem ir 24 mēneši, tad atskaitē tiek sākta no datuma, kurā veikta izstrādājuma iegāde. Šim datumam jābūt dokumentētām rēķinā vai citā pirkumu apliecināso dokumentā. Izstrādājums ir radīts un paredzēts tikai patērētāja privātai lietošanai. Saisītībā ar iepriekšminēto, garantija netiek nodrošināta profesionālās vai komerciālas lietošanas gadījumā.
2. Pastāv iespēja pagarināt daļas no dārza instrumentu klāsta (Maignstrāvas/akumulatoru) garantiju ilgāk par iepriekš minēto periodu, izmantojot reģistrāciju internetā vietnē www.ryobitools.eu. Instrumenti, kas pakļauti garantijas perioda pagarināšanai, tiek skaidri apzīmēti veikalos un/vai uz iepakojuma un izstrādājumu komplektējošajā dokumentācijā. Gala lietotājam nepieciešams reģistrēt tā iegādātā jauno instrumentu 30 dienu laikā no pirkuma datuma. Gala lietotājs var reģistrēties pagarinātajai garantijai savā mītnes valstī, ja tā minēta tiešsaistes reģistrācijas veidlapā, kurā šī iespēja ir aktīva. Bez tam, gala lietotājam ir jāsniedz piekrišana tiešsaistes ievadīšanai nepieciešamo datu glabāšanai un jāpiekrīt noteikumiem un nosacījumiem. Reģistrācijas apstiprinājums, kas tiek nosūtīts, izmantojot e-pastu, un rēķina oriģināls, kurā norādīts iegādes datums, kalpo kā pagarinātās garantijas apstiprinājums.
3. Garantija attiecas uz visiem izstrādājumu defektiem garantijas periodā, kas saistīti ar ražošanas vai materiālu defektiem no pirkuma datuma. Šī garantija tiek ierobežota ar remontu un/vai nomaiņu un neietver jebkādas citas saistības, tajā skaitā, bet ne tikai, cēloņsakarīgos vai saistītos bojājumus. Garantija nav spēkā, ja izstrādājums ir nepareizi lietots, izmantots pretēji norādēm lietošanas rokasgrāmatā vai bijis nepareizi pieslēgts. Šī garantija netiek attiecināta uz:
 - jebkādiem izstrādājuma bojājumiem, kas radušies nepareizas uzstādīšanas rezultātā
 - jebkuru izstrādājumu, kas ticis pārveidots vai mainīts
 - jebkuru izstrādājumu, kura oriģinālās identifikācijas (preču zīme, sērijas numurs) marķējums ir ticis nodzēsts, mainīts vai noņemts
 - jebkādiem bojājumiem, kuri radušies neveidojot norādes lietošanas rokasgrāmatā
 - jebkādam izstrādājumam bez CE sertifikācijas
 - jebkurai izstrādājumam, kura remontu mēģinājis veikt nekvalificēts personāls vai bez Technonic Industries iekšējās autorizācijas.
 - jebkurai izstrādājumam, kurš bijis pieslēgts neatbilstoši parametriem (strāvas, sprieguma, frekvences) sprieguma avotam
 - jebkurai izstrādājumam, kurš bijis izmantots ar nepareizu degvielas maisījumu (degviela, eļļa, eļļas procentuālais saturs)
 - jebkuriem bojājumiem, kuri radušies ārējas iedarbības (ķīmiskas, fiziskas, triecieni) vai vielu ietekmē
 - detaļu normāla lietošanas nodiluma rezultātā
 - nepareizas lietošanas vai instrumentu pārslodzes rezultātā
 - neapstiprinātu detaļu vai aprīkojuma lietošanas rezultātā
 - jebkādos periodiskus karburatoru regulēšanas darbus vai apkopes tīrīšanu
 - Komponentus (daļas un aksesuārus), kas pakļauti dabīgām nodilumam, ieskaitot, bet neaprobežojoties ar atslēgta pogām, piedziņas sīksnādi, sajūgjiem, krūmu šķēru un pļaujmašīnu asmeņiem, uzkabēm, droseļu trošlēm, oglekļa sukām, elektrības vadiem, tapām, filca aplākšņiem, sakābes tapām, pūtēja ventilatoriem, pūtēja un sūkšanas caurulēm, savākšanas maisiem un sīksnādi, vadotņu plankām, zaģu ķēdēm, šļūtenēm, savienojumu uzgaļiem, izsmidzinātāja uzgaļiem, riteņiem, izsmidzinātāja caurulēm, iekšējām spoļēm, ārējām spoļēm, pļaušanas aukām, aizdedzes svečēm, gaisa filtriem, degvielas filtriem, mulčēšanas asmeņiem, utt.
4. Servisa nodrošināšanai, izstrādājums ir jānodod pilnvarotā RYOBI servisa centrā, kas norādīts katrai valstij tālāk minētajā servisa centru adrešu sarakstā. Dažās valstīs jūsu vietējais RYOBI izplatītājs uzņemas izstrādājuma nosūtīšanu uz RYOBI servisa organizāciju. Nosūtīt izstrādājumu uz RYOBI servisa centru, izstrādājuma jābūt droši iepakotam, tas nedrīkst saturēt bīstamas vielas kā degvielu, sūtiņjam jābūt marķētam ar sūtiņtāja adresi un īsu ķūmes aprakstu.
5. Remonts/nomaiņa šīs garantijas ietvaros ir bezmaksas. Tas nerada garantijas perioda pagarināšanu vai jaunu garantiju. Nomināltās daļas vai instrumentu kļūd par mūsu īpašumu. Dažās valstīs piegādes vai pasta izmaksas būs jāapmaksā sūtiņtājam. Jūsu likumiskās tiesības, kas nodibinās, iegādājoties instrumentu, paliek nemainīgas
6. Šī garantija ir spēkā Eiropas Kopienā, Šveicē, Islandē, Norvēģijā, Līhtenšteinā, Turcijā un Krievijā. Ārpus šīm teritorijām, lūdzu, sazinieties ar jūsu pilnvaroto RYOBI izplatītāju, lai noteiktu, vai ir piemērojama cita garantija.

AUTORIZĒTS APKALPOŠANAS CENTRS

Lai atrastu tuvāko autorizēto apkalpošanas centru, apmeklējiet <http://en.ryobitools.eu/header/service-and-support/service-agents>.

LT „RYOBI®“ GARANTIJOS TAIKUMO SĄLYGOS

Papildant bet kokias įstatymuose numatytas perkant atsiřandancias teises, šiam įrenginiui taikoma toliau nurodyta garantija.

ĮGALIOTAS TECHININĖS PRIEŽIŪROS CENTRAS

Jei norite surasti įgaliotą techninės priežiūros centrą netoli Jūsų, apsilankykite interneto svetainėje <http://en.ryobitools.eu/header/service-and-support/service-agents>.

ET RYOBI® GARANTIINGIMUSED

Lisaks toote ostust tulenevatele seadusjärgsetele õigustele, kehtib tootele ka alltoodud garantiiga.

1. Tarbijatele on garantiiaeg 24 kuud ja algab sellel kuupäeval, mil toode osteti. Selle kuupäeva tõestuseks on vaja arvet või mõnda teist tõendit ostu sooritamise kohta. Toode on mõeldud etarbijatele ainult isiklikeks kasutamiseks. Seega ei kehti garantiid ostu kasutamisel kasutetevõrges või kaubanduslikel esmärkidel.
2. Teatud osale (vahelduvvoolu/alalisvoolu) aiatööriistadele on võimalik pikendada eespool toodud garantiiaega, kasades toote registreerimist veebilehel www.ryobitools.eu. Teave tööriista võimaliku pikendatud garantiiaja kohta on selgelt esile toodud poodides ja/või pakendil / ning see sisaldub toote dokumentatsioonis. Lõpptarbijaja peab registreerima oma uued tööriistad interneti teel 30 päeva jooksul pärast ostupäeva. Lõppkasutaja võib registreerida pikendatud garantiiaja saamise oma elukohariigis, kui veebis olevas registreerimisvormis on see valik lubatud. Lisaks peavad kasutajad andma oma nõusoleku veebis nõutud sisestatavate andmete säilitamiseks ning nad peavad nõustuma tingimustega. E-posti teel saadetav registreerimise kinnitus ja arve originaal, kus on näha ostu sooritamise kuupäev, on pikendatud garantiiaja tõestuseks.
3. Garantii katab kõik defektid toote garantiiaja jooksul, kui ostu kuupäeval ilmnevad talitus- või materjalivead. Garantii piirub toote remondi ja/või väljavahetamisega ning ei sisalda muid kohustusi, muu hulgas ettenägematuid või kaudseid kahjusid. Garantii ei kehti, kui toodet ei ole kasutatud sihtotstarbelselt või kooskõlas kasutusjuhendiga või see on valesti ühendatud. Garantii ei kehti järgmistel põhjustel:
 - toode on kahjustatud vale hoolduse tõttu
 - toode on muudetud
 - toote algupäraseid identifitseerimisnumbreid (kaubamärk, seerianumber) on rikutud, muudetud või eemaldatud
 - kahju on tekkinud kasutusjuhendi mittejärgimisest
 - tootel puudub CE-märgis
 - toode on püüdnud remondida vastavalt kvalifikatsiooni mitte omav isik või ilma firma Techtronic Industries eelneva loata.
 - toode on ühendatud valesse teitealikesse (voolutugevus, pinge, sagedus)
 - tootega kasutati sobimatut kütusesegu (kütus, õli, õli protsent)
 - välismõjude (keemilised, füüsikalised, elektrilöögid) või võõrkehade tekitatud kahju
 - tavapärase kulumine ja katkised varuosad
 - ebaõige kasutamine, tööriista ülekoormamine
 - heakskiitmata tarvikute või osade kasutamine
 - Karburaatorite korralised reguleerimistööd või hooldus- ja puhastustööd
 - Komponentid (osad ja tarvikud), mida iseloomustab kulumine ja vananemine, muu hulgas puutenupud, kiilrihmad, sidur, heklöökurite või muruniidukite löiketerad, rakmed, gaasitorid, süsinikharjad, toitejuhe, freesiterad, vildist seibid, tihvtid, õhuventilaatorid, puhuri- ja imuritord, kogumiskott ja riimad, juhikud, saeketid, voolikud, liitmikud, pihusti otsakud, rattad, pritsi varred, sisemised poolid, välimised poolid, jõhvid, süteküünlad, õhufiltrid, gaasifiltrid, multšimisterad jne.
4. Hoolduseks peab toote saatma või viima RYOBI tootjate teenindusse, mille aadressi leiata järgnevat teeninduspunkti nimekirjast vastava riigi alt. Mõnedes riikides võtab kohalik RYOBI edasimüüja enda kanda kohustuse saata toode RYOBI teenindusorganisatsiooni. Tootte saatmisel RYOBI teenindusse peab toode olema ohutult pakitud ja ei tohi sisaldada ohtlikke aineid (nt bensiini), kirjas peab olema saatja aadress ja lisatud vea lühikirjeldus.
5. Garantii alusel tehtavad remonditööd / asendamine on tasuta. See ei pikenda garantiid kehtivusaega ega tähistu vae garantiiaja algust. Väljavahetatud osad või tööriistad kuuluvad meile. Mõnedes riikides maksab kätetoimetamis- ja postikulud saatja. Teile jäävad kehtima tööriista ostust tulenevad seadusjärgsed õigused
6. See garantiid kehtib Euroopa Ühenduse territooriumil, Šveitsis, Islandil, Norras, Liechtensteinis, Türgis ja Venemaal. Väljaspool neid piirkondi võtke ühendust volitatud RYOBI edasimüüjaga, et teha kindlaks kas kehtib mõni teine garantiid.

VOLITATUD HOOLDUSKESKUS

Oma volitatud hoolduskeskuse leiata veebisaidilt <http://en.ryobitools.eu/header/service-and-support/service-agents>.

HR UVJETI PRIMJENE JAMSTVA TVRTKE RYOBI®

Osim svim zakonskim pravima koja proizlaze iz kupnje, ovaj je proizvod pokriven jamstvom kako je navedeno u nastavku.

1. Jamstveno razdoblje za potrošače traje 24 mjeseca i počinje s datumom na koji je proizvod kupljen. Taj datum mora se dokumentirati računom ili drugim dokazom o kupnji. Proizvod je konstruiran i namijenjen samo za privatnu upotrebu korisnika. Stoga se jamstvo ne daje u slučaju profesionalne ili komercijalne uporabe.
2. Postoji mogućnost da se za dio asortimana vrtnih alata pokretanih izmjeničnom strujom (AC/DC) proizvodi gore navedeno jamstveno razdoblje putem registriranja na mrežnom mjestu www.ryobitools.eu. Uvjeti koje je potrebno zadovoljiti kako bi se produžilo jamstveno razdoblje jasno su istaknuli u prodavaonicama i / ili na pakiranju i u nalaze se unutar dokumentacije proizvoda. Krajnji korisnik mora registrirati svoje novo kupljene alate na mreži u roku od 30 dana od datuma kupnje. Krajnji korisnik može se registrirati za produženo jamstvo u svojoj zemlji boravišta ako se nalazi na popisu u mrežnom obrascu za registraciju gdje je ta opcija važeća. Nadalje, krajnji korisnici moraju dati svoj pristanak na pohranu podataka koji su potrebni za mrežni ulazak i moraju prihvatiti odredbe i uvjete. Potvrda o prijemu registracije, koja se šalje putem e-pošte, kao i originalni račun s vidljivim datumom kupnje poslužuje č kao dokaz produženog jamstva.
3. Jamstvo pokriva sve nedostatke proizvoda tijekom jamstvenog razdoblja koji su nastali zbog neispravnosti prilikom izrade ili materijala s datumom kupnje. Jamstvo je ograničeno na popravak i/ili zamjenu i ne obuhvaća nikakve druge obveze, uključujući, ali ne ograničavajući se na slučajne ili posljedične štete. Jamstvo ne vrijedi ako je proizvod bio zlorabljivan, korišten u suprotnosti s priručnikom s uputama ili ako je pogrešno spojen. Ovo jamstvo ne primjenjuje se na:
 - svako oštećenje proizvoda koje je rezultat nepravilnog održavanja
 - svaki proizvod koji je izmijenjen ili modificiran
 - svaki proizvod gdje su originalne identifikacijske oznake (zaštitni znak, serijski broj) izbrisane, zamijenjene ili uklonjene
 - svako oštećenje uzrokovano neprikladnim korištenjem priručnika
 - svaki proizvod koji nije CE
 - svaki proizvod koji je pokušao popraviti neovlašten profesionalac ili bez prethodnog odobrenja od strane Techtronic Industries
 - svaki proizvod priključen na nepravilno napajanje energijom (amperi, napon, frekvencija)
 - Svaki proizvod korišten s neodgovarajućom mješavinom (gorivo, ulje, postotak ulja)
 - svako oštećenje uzrokovano vanjskim utjecajima (kemijsko, fiziko, udar) ili stranim stvarima
 - normalno trošenje i habanje rezervnih dijelova
 - nepravilno korištenje, preopterećenje alata
 - korištenje neodobrenog dodatnog pribora ili dijelova
 - rasplinjača nakon 6 mjeseci, podešavanje rasplinjača nakon 6 mjeseci
 - komponente (dijelovi i dodatni pribor) koji su predmet prirodnog trošenja i habanja, uključujući no ne ograničavajući se na gumbe za otpuštanje, pogonske remene, spojku, oštrice trimera za grmlje ili kosilicu, kope, sajle gasa, ugljene četke, kabele za napajanje, nožve, podloške, ztkice za zglobnu vezu, ventilatore puhalice, cijevi za ispuhavanje i usisavanje, vakuumske vrećice i trake, vodilice, lance pile, crijeva, priključene elemente, mlaznice za raspršivanje, kotače, koplja za raspršivanje, unutarnje kolote, vanjske kaleme, flaksove, svjećice, filtre za zrak, filtre za plin, oštrice za usitnjavanje itd.
4. Za potrebe servisiranja, proizvod se mora poslati ili odnijeti u ovlaštenu servisnu postaju tvrtke RYOBI navedenu na sljedećem popisu s adresama servisnih postaja u svakoj zemlji. U nekim zemljama, vaš lokalni RYOBI zastupnik obvezuje se da će poslati proizvod u servisnu organizaciju tvrtke RYOBI. Kada se proizvod šalje u neku servisnu postaju tvrtke RYOBI, proizvod se mora sigurno pakirati bez jednog od opasnih sadržaja kao što je benzin, na njemu mora pisati adresa pošiljatelja i mora biti popraćen kratkim opisom kvara.
5. Popravak / zamjena pod ovim jamstvom su besplatni. Oni ne predstavljaju produženje ili novi početak jamstvenog razdoblja. Zamijenjeni dijelovi ili alati postaju naše vlasništvo. U nekim državama troškove isporuke ili poštarinu mora platiti pošiljatelj. Vaša zakonska prava koja proizlaze iz kupnje alata ostaju nepromijenjena
6. Ovo jamstvo vrijedi u Europskoj uniji, Švicarskoj, Islandu, Norveškoj, Lichtenštajnu, Turskoj i Rusiji. Izvan tih područja vas molimo da se obratite svojem ovlaštenom zastupniku tvrtke RYOBI kako biste utvrdili primjenjuje li se drugo jamstvo.

OVLAŠTENI SERVISNI CENTAR

Za pronalaznje ovlaštenog servisnog centra pored vas posjetite <http://en.ryobitools.eu/header/service-and-support/service-agents>.

SL POGOJI ZA VELJAVNOST GARANCIJE RYOBI®

Poleg morebitnih zakonsko določenih pravic, ki izvirajo iz nakupa, za ta izdelek velja spodaj navedena garancija.

- Garancijsko obdobje je za potrošnike 24 mesecev in začne teči z dnem nakupa izdelka. Ta datum mora biti dokumentiran z računom ali drugim dokazilom o nakupu. Izdelek je zasnovan in namenjen izključno za potrošniško zasebno uporabo. V primeru strokovne oziroma komercialne uporabe izdelka garancija ne velja.
- Obstaja možnost podaljšanja garancije na del naših ponudbe vrtnih orodij (AC/DC) prek obdobja garancije, opisanega zgoraj, s pomočjo registracije na spletnem mestu www.ryobitools.eu. Ustreznost orodij za podaljšanje garancijskega obdobja je jasno prikazana v trgovinah in/ali na embalaži oziroma je navedena v dokumentaciji izdelka. Končni uporabnik mora registrirati svoje novo orodje na spletu v 30 dneh po datumu nakupa. Končni uporabnik lahko registrira podaljšano garancijo v svoji državi bivanja, če je na obrazcu spletne registracije navedeno, da ta možnost velja za njegovo državo. Poleg tega morajo končni uporabniki podati svoje soglasje za shranjevanje podatkov, ki so potrebni za spletno orodje in morajo sprejeti pogoje in določila uporabe spletnega mesta. Potrdilo o registraciji, ki ga pošljemo preko e-pošte, in originalni račun, ki prikazuje datum nakupa, služita kot dokazilo o podaljšani garanciji.
- Garancija krije vse okvare izdelka, do katerih pride v garancijskem obdobju zaradi napak v izdelavi ali materialu, ki so bile prisotne ob datumu nakupa. Garancija je omejena na popravilo in/ali zamenjavo in ne vključuje nobenih drugih obveznosti, med drugim vključno z naključno ali posledično škodo. Garancija ne velja, če je bil izdelek napako uporabljen, uporabljen v nasprotju z navodili iz priročnika za uporabo ali če ni bil pravilno povezan. Ta garancija ne velja za:
 - škodo na izdelku, ki je posledica neustreznega vzdrževanja
 - spremenjen ali prilagojen izdelek
 - izdelek, katerega originalna identifikacijska oznaka (blagovna znamka, serijska številka) je bil poškodovan, spremenjena ali odstranjena
 - škodo, ki je posledica neupoštevanja navodil iz priročnika za uporabo
 - izdelek, ki nima oznake CE
 - izdelek, ki ga je poskušal opraviti ne kvalificiran strokovnjak ali ki je bil popravljen brez predhodne odobritve s strani družbe Techtronic Industries.
 - izdelek, ki je bil povezan na neustrezno napajanje (amperska moč, napetost, frekvenca)
 - izdelek, ki je bil uporabljen z neustrezno mešanico goriva (gorivo, olje, odstotek olja)
 - škodo, ki jo povzročijo zunanji vplivi (kemični, fizični, mehanski) ali tuje snovi
 - rezervne dele, ki so podvrženi običajni uporabi
 - neprimerno uporabo, preobremenitev orodja
 - uporabo neodobrenih dodatkov ali delovVsako redno prilagajanje ali vzdrževalno čiščenje uplinjačev
- Komponente (sestavni in rezervni deli), ki so podvrženi običajni obrabi, med drugim vključno z gumbi obdajka, pogonskimi jermeni, sklopko, rezili obrezovalnikov za žive meje ali kosilnic za trato, nosilnimi pasovi, kabli, dušilnimi ventili, oglikovimi krtačami, napajalnimi kabli, zobci, tesnili iz filca, veznimi zatiči, ventilatorji pihalnika, cevmi pihalnika in sesalnika, vrečko in pasovi sesalnika, vodilnimi palicami, verigami motorne žage, cevmi, priključki, razpršilnimi šobami, kolesi, razpršilnimi palicami, notranjimi kolesci, zunanji motki, rezalnimi vrvmici, vžigalnimi svečkami, zračnimi filtri, plinskimi filtri, rezili za mulčenje itd.
- Za servisiranje morate izdelek poslati ali prinesiti v pooblaščen servisni center družbe RYOBI, ki je naveden za vsako državo na naslednjem seznamu naslovov servisnih centrov. V nekaterih državah se vaš lokalni posrednik družbe RYOBI obveže, da bo poslal izdelek na servis družbe RYOBI. Ko pošiljate izdelek v servisni center družbe RYOBI, mora biti izdelek varno zapakiran in ne sme vsebovati nobenih nevarnih snovi, kot je npr. bencin, opremljen pa mora biti z naslovom pošiljatelja in vsebovati kratek opis napake.
- Popravilo/zamenjava v skladu s to garancijo sta brezplačni storitvi. To pa ne predstavlja podaljšanja ali ponovnega začetka garancijskega obdobja. Zamenjani deli ali orodja postanejo naša last. V nekaterih državah stroške dostave ali poštno plača pošiljatelj. Vaše zakonsko določene pravice, ki izvirajo iz nakupa orodja, ostajajo nespremenjene.
- Ta garancija velja v Evropski skupnosti, Švici, Islandiji, na Norveškem, v Lihtenštajnu, v Turčiji in Rusiji. Izven teh območij se obrnite na svojega pooblaščenega posrednika izdelkov RYOBI, dealer ki vam bo povedal, ali velja kakšna druga garancija.

POOBLAŠČEN SERVISNI CENTER

Pooblaščen servisni center blizu vas poiščite na <http://en.ryobitools.eu/header/service-and-support/service-agents>.

SK ZÁRUČNÉ PODMIENKY RYOBI®

Na tento výrobok sa okrem všetkých zákonných práv, vyplývajúcich z nákupu, vzťahuje záruka v nasledovnom znení.

- Záručná doba pre spotrebiteľa je 24 mesiacov a začína plynúť odo dňa, kedy bol výrobok zakúpený. Tento dátum musí byť doložený faktúrou alebo iným dokladom o zakúpení. Výrobok je navrhnutý a určený pre spotrebiteľov a len na súkromné používanie. Preto sa záruka sa neposkytuje v prípade použitia na profesionálne a komerčné účely.
- V prípade záhradného náradia (na striedavý/jednosmerný prúd AC/DC), existuje možnosť predĺženia záručnej doby oproti záručnej dobe, uvedenej vyššie, s využitím on-line registrácie na webovej stránke www.ryobitools.eu. Označenie na náradí o nároku na predĺženie záručnej doby je zreteľne uvedené v obchodoch a/alebo na obale a je uvedené v dokumentácii k výrobku. Koncový používateľ musí zaregistrovať svoje novozískané náradie on-line do 30 dní odo dňa nákupu. Koncový používateľ sa môže zaregistrovať na predĺženie záruky v krajine svojho bydliska, ak je v on-line registračnom formulári uvedená táto možnosť. Ďalej musia koncoví používatelia ešte dať svoj súhlas k uchovávaní údajov, ktoré je potrebné zadať on-line a musia súhlasiť s podmienkami. Potvrdenie o prijatí registrácie, ktorá je zaslaná e-mailom a originál faktúry, v ktorej je uvedený dátum nákupu, slúžia ako dôkaz o predĺženej záruke.
- Záruka sa vzťahuje na všetky poruchy výrobku v záručnej dobe, spôsobené chybami materiálu alebo spracovania k dátumu nákupu. Táto záruka je omezená na opravu a/alebo výmenu a nezahtáva žiadne ďalšie povinnosti, vrátane, okrem iných, náhodné alebo následné škody. Táto záruka je neplatná, ak bol výrobok nesprávne používaný, bol používaný v rozpore s návodom na použitie alebo bol nesprávne zapojený. Táto záruka sa nevzťahuje na:
 - akékoľvek poškodenie výrobku, ktoré bolo spôsobené nesprávnou obsluhou
 - akýkoľvek výrobok, ktorý bol zmenený alebo upravený
 - akýkoľvek výrobok, na ktorom bolo poškodené, upravené alebo odstránené identifikačné označenie (ochranná znamka, výrobné číslo)
 - akékoľvek škody, spôsobené nedodržaním návodu na obsluhu
 - akýkoľvek výrobok, ktorý neobsahuje označenie CE
 - akýkoľvek výrobok, ktorý sa pokúšal opraviť nekvalifikovaný odborník alebo bol opravovaný bez predchádzajúceho súhlasu zo strany spoločnosti Techtronic Industries.
 - akýkoľvek výrobok, pripojený k nesprávnemu napájaciemu zdroju (ampéry, napätie, frekvencia)
 - akýkoľvek výrobok, používaný s nesprávnou palivovou zmesou (palivo, olej, percento oleja)
 - akékoľvek poškodenia, spôsobené vonkajšími vplyvmi (chemickými, fyzikálnymi, nárazmi) alebo cudzorodými látkami
 - bežné opotrebovanie náhradných dielov
 - nehodné použitie, preťažovanie nástroja
 - používanie neschváleného príslušenstva a dielov
 - Akékoľvek pravidelné úpravy alebo čistenie karburátorov, vykonávaných vrámi údržby
 - Súčiastky (diely a príslušenstvo), ktoré podliehajú prirodzenému opotrebeniu, okrem iných, otočné gombíky, hnače remene, spojka, nože na nožnice na živý plot alebo kosačky na trávu, popruhy, lanko škrtiacej klapky, uhľiky, napájací kábel, radičky, pistené podložky, závesné kince, lopatky fúkačov, trubice vysávača a fúkača, vak do vysávača a popruhy, vodiace lišty, reťazové píly, hadice, spojovacie armatúry, trysky, kolesá, striekacie rúrky, vnútorné cievky, vonkajšie cievky, žacie lanká, zapalovacie sviečky, vzduchové filtre, benzínové filtre, mulčovacie nože atď.
- Na opravu musí byť výrobok odoslaný alebo doručený do autorizovaného servisného strediska RYOBI, uvedeného pre každú krajinu v nasledovnom zozname adries servisných stredísk. V niektorých krajinách miestny zástupca RYOBI preberá na seba záväzok zaslať tovar do servisnej organizácii RYOBI. Pri odosielaní výrobku do servisného strediska RYOBI je potrebné výrobok bezpečne zabaliť bez akéhokoľvek nebezpečného obsahu, ako je benzín, s vyznačením adresy odosielaťa, s krátkym popisom poruchy.
- Oprava/výmena je vrámi tejto záruky bezplatná. Neznamená to predĺženie záruky alebo spustenie novej záručnej doby. Vymenené diely nástroje sa stávajú našim vlastníctvom. V niektorých krajinách náklady na odoslanie alebo poštné musí zaplatiť odosielať. Vaše zákonné práva, vyplývajúce z nákupu náradia, zostávajú nedotknuté
- Táto záruka platí v Európskej únii, Švajčiarsku, Islande, Nórsku, Lihtenštajnsku, Turesku a Rusku. Ak sa nachádzate mimo týchto oblastí, obráťte sa na autorizovaného predajcu RYOBI na určenie, či sa dá uplatniť iná záruka.

AUTORIZOVANÉ SERVISNÉ CENTRUM

Ak chcete nájsť najbližšie autorizované servisné centrum, navštívte stránku <http://en.ryobitools.eu/header/service-and-support/service-agents>.

BG УСЛОВИЯ ЗА ВАЛИДНОСТ НА ГАРАНЦИЯТА НА RYOBI®

В допълнение към законоустановените права, произтичащи от покупката, този продукт е обхванат от гаранция, както е описано по-долу.

- Гаранционният срок е 24 месеца за клиенти и започва да тече от деня на закупуване на продукта. Тази дата трябва да се докаже с фактура или друго доказателство за покупка. Продуктът е изработен и предназначен само за потребителска и лична употреба. Следователно не се дава гаранция в случай на използване от професионалисти или с търговска цел.
- Съществува възможност за удължаване на гаранционния срок за част от диалогана на гаранцията на градински инструменти (AC/DC) след изтичането на описания тук чрез регистрация на уеб сайта www.ryobitools.eu. В магазините и/или на опаковката или вътре в документацията на продукта е показано ясно дали инструментът отговаря на условията за такова удължаване на гаранционния срок. Крайният потребител трябва да регистрира своите новопридобити инструменти онлайн в рамките на 30 дни от датата на покупка. Крайният потребител може да се регистрира за удължена гаранция в държавата си на пребиваване, ако е посочена във формуляра за онлайн регистрация като място, където тази опция е валидна. Освен това крайните потребители трябва да дадат съгласието си за съхранение на данните, които са задължителни за ползване онлайн, и трябва да приемат общите условия. Полученото потвърждение за регистрация, изпратено по електронна поща, и оригиналната фактура, показваща датата на покупка, ще служат като доказателство за удължената гаранция.
- Гаранцията покрива всички дефекти на продукта по време на гаранционния срок, които се дължат на проблеми в изработката или материалите към момента на покупката. Гаранцията е ограничена до ремонт и/или замяна и не включва други задължения, включително, но не само, случайни или косвени щети. Гаранцията е невалидна, ако продуктът е използван неправилно или в противоречие с ръководството с инструкции, както и ако е свързан неправилно. Тази гаранция не важи за:
 - щети по продукта в резултат на неправилна профилактика
 - продукти, които са били изменени или модифицирани
 - продукт, при който оригиналните маркировки за идентификация (търговска марка, сериен номер) са изтрети, променени или премахнати
 - повреда, причинена от неспазване на ръководството с инструкции
 - продукт без CE маркировка
 - продукт, за който е направен опит за ремонт от невалифициран специалист или без предварително разрешение от Techtronic Industries.
 - продукт, свързан към неподходящо електрорезхранване (ампераж, волтаж, честота)
 - продукт, използван с неподходяща горивна смес (гориво, масло, процент масло)
 - щети, причинени от външни влияния (химични, физични, удари) или чужди вещества
 - нормално износване на резервни части
 - неподходяща употреба, претоварване на инструмента
 - използване на неодобриени аксесори или части
 - Всякакви периодични настройки или почистване с цел извършване на поддръжка на карбуратори
 - Компоненти (части и аксесори), подложени на естествено износване, включително, но не само, копчета за тласкане, задвижващи ремъци, съединители, остриета на ножици за жив плет или косачки за трева, пресрамаки, кабелен дросел, карбонови четки, ذخаранващ кабел, остриета, филцови шабви, осигурителни шифтове, вентилатори на уреди за обдухване, тръби за обдухване и всмукване, торба за отпадъци и ремъци, водещи шини, вериги за триони, маркучи, фитинги на конектори, дюзи, копела, пръскалки, вътрешни и външни макири, режещо влакно, запалителни свещи, въздушни филтри, горивни филтри, остриета за мулчиране и др.
- За обслужване продуктът трябва да се изпрати или занесе на оторизиран сервиз на RYOBI, посочен за всяка държава в следния списък с адреси на сервиси. В някои държави местният търговец на RYOBI посочва отговорността да изпрати продукта до сервизен център на RYOBI. При изпращане на продукт до сервиз на RYOBI той трябва да е опакован безопасно без опасност съдържане, напр. бензин, да е маркиран с адреса на подателя и придружен от кратко описание на повредата.
- Ремонтът/замяната по силата на тази гаранция са безплатни. Те не водят до удължаване или подновяване на гаранционния срок. Сменените части или инструменти стават наша собственост. В някои държави таксите за доставка или изпращане трябва да се платят от подателя. Законоустановените ви права, произтичащи от закупуването на инструмента, остават незасегнати
- Тази гаранция е валидна в Европейската общност, Швейцария, Исландия, Норвегия, Лихтенщайн, Турция и Русия. Извън тези области се свържете с упълномощения търговец на RYOBI, за да се установи дали е приложима друга гаранция.

УПЪЛНОМОЩЕН СЕРВИЗЕН ЦЕНТЪР

За да намерите упълномощен сервизен център близо до вас, посетете <http://en.ryobitools.eu/header/service-and-support/service-agents>.

UK ГАРАНТИЙНИ УМОВИ ДЛЯ RYOBI®

Окрім загалом установлених законом прав, що стосуються покупки, цей пристрій покривається гарантією, що зазначено нижче.

- Гарантійний період для споживачів складає 24 місяці і починається з моменту придбання цього пристрою. Ця дата повинна бути задокументована у гарантійному талоні або чеку, що підтверджує покупку. Цей пристрій був розроблений і призначений тільки для споживчого та приватного використання. У разі професійного або комерційного використання цього пристрою, він втрачає гарантію.
- Існує можливість продовжити гарантійний період, понад період описаний вище, для частини лінійки садових інструментів (перемінного/ постійного струму) за допомогою реєстрації на сайті www.ryobitools.eu. Пристрої, які мають право на продовження гарантійного періоду, мають чіткі позначки щодо цього в магазинах і/ або на упаковці / та документаші до пристрою. Кінцевий користувач повинен зареєструвати його/її новопридбаний пристрій онлайн протягом 30 днів з дати покупки. Кінцевий користувач може зареєструватися для продовження гарантійного періоду в своїй країні постійного перебування, якщо вона є доступною у відповідній опції онлайн форми реєстрації. Крім того, кінцеві користувачі повинні дати свою згоду на зберігання даних, які необхідні для введення онлайн, а також вони повинні прийняти правила та умови. Отримання підтвердження реєстрації, яке відправляється на адресу електронної пошти, та оригінал гарантійного талона із зазначеною датою покупки буде слугувати доказом подовженої гарантії.
- Гарантія поширюється на всі дефекти пристрою протягом гарантійного терміну щодо недотримання стандартів виробництва або матеріалів на дату придбання. Гарантія обмежується ремонтом та/або заміною, та не включає в себе будь-яких інших зобов'язань, в тому числі, але необмежена у разі випадкових та подальших пошкоджень. Гарантія не діє, якщо пристрій використовувався нена належним чином, всупереч інструкції з експлуатації або був неправильно підключений до мережі. Дана гарантія не поширюється на:
 - пристрої, що були пошкоджені у результаті неправильного технічного обслуговування;
 - пристрої, що були видозмінені або модифіковані;
 - пристрої, оригінальні ідентифікаційне (товарний знак, серійний номер) маркування яких було пошкоджене, змінене або видалено;
 - будь-які пошкодження, заподіяні недотриманням інструкції з експлуатації;
 - пристрої, що не мають маркування CE;
 - пристрої, що були відремонтовані невалідованим фахівцем або за відсутності попереднього дозволу від Techtronic Industries;
 - пристрої, підключені до невідповідного джерела живлення (сила току, напруження, частота);
 - пристрої, що використовувались із невідповідною паливною сумішшю (паливом, оливою, відсотковою часткою оливи);
 - будь-які пошкодження спричинені зовнішнім впливом (хімічними, фізичним, стрибком напруги) або сторонніми речовинами;
 - нормальну амортизацію запасних частин;
 - невідповідне використання, перевантаження пристрою;
 - використання невідтверджених запасних частин або аксесорів;
 - Будь-які періодичні коригування або технічне очищення карбураторів
 - Компоненти (частини та аксесуари) з урахуванням нормального зношування, враховуючи але без обмеження на імпульсні кнопки, реміні приводу, зчеплення, леза куцоріза або газонокосарки, реміні, троси дросельного клапану, вугільні штиці, шнури живлення, зубці, фетрові підкладки, зліпні штирі, вентилятори повітродувки, трубки пилососа та повітродувки, вакуумні мішки та наклади, напрямні, ланцюги, гнучкі шланги, з'єднувальні фітинги, розпилювальні насадки, колеса, жорсткі сопла, внутрішні котушки, зовнішні золотники, ріжучу волосінку, свічки запалення, повітряні фільтри, протигазові фільтри, мультисувальні леза, т.д.
- Для обслуговування, пристрій має бути відравлений або поданий до одного з авторизованих сервісних центрів RYOBI, які перелічені для кожної країни у наступному переліку адрес сервісних центрів. У деяких країнах місцевий дилер RYOBI зобов'язується відравити пристрій до сервісного центру RYOBI. При відравленні пристрою до сервісного центру RYOBI, пристрій має бути надійно упакуваний для будь-якого безбезпечного вмісту, наприклад бензину, з позначеною адресою відравника та супроводжуватися коротким описом несправності.
- Ремонт / заміна відповідно до цієї гарантії здійснюється безкоштовно. Це не є основою для продовження або початку нового гарантійного періоду. Замінені частини або прилади переходять до власності компанії. У деяких країнах вартість доставки або поштові витрати повинні бути сплачені відравником. Загально встановлені права покупки на пристрій залишаються незмінними
- Ця гарантія діє в Європейському Союзі, Швейцарії, Ісландії, Норвегії, Лихтенштейні, Туреччині та Росії. За межами цих зон, будь ласка, зверніться до офіційного дилера RYOBI, щоб визначити, чи застосовується інша гарантія.

АВТОРИЗОВАНІ СЕРВІСНІ ЦЕНТРИ

Для отримання оновленого переліку авторизованих сервісних центрів, відвідайте <http://en.ryobitools.eu/header/service-and-support/service-agents>.

TR RYOBI® GARANTİ UYGULAMA KOŞULLARI

Alımdan kaynaklanan yasal haklara ek olarak, ürün aşağıda belirtilen garanti kapsamındadır.

1. Tüketiciler için 24 ay olan garanti süresi, ürünün satın alındığı tarihte başlar. Bu tarihin bir fatura ya da alım kantıtyla belgelenmesi gerekir. Ürün sadece tüketim ve özel kullanım için geliştirilmiş ve adanmıştır. Bu nedenle, profesyonel ya da ticari kullanım halinde garanti kapsamı sağlanmaz.
2. Bahçe aletlerinin bir bölümü (AC/DC) için www.ryobitools.eu sayfasındaki kayıt işlemini kullanarak garantinin belirtilen sürenin ötesine uzatma imkanı mevcuttur. Aletlerin garanti süresinin uzatılmasına uygun olup olmadığı mağazalarda ve / veya ambalajda açıkça belirtilmiş olup, ürün dokümantasyonunda gösterilir. Son kullanıcının yeni aldığı aletleri satın alma tarihini izleyen 30 gün içinde kaydetmesi gerekir. Son kullanıcı ikamet ettiği ülkede, bu seçeneğin geçerli olduğu çevrimiçi kayıt formunda belirtilmişse, uzatılmış garanti süresi için kayıt yaptırabilir. Dahası, son kullanıcıların çevrimiçi giriş için gerekli verilerin kaydedilmesine izin vermemi ve hüküm ve koşulları kabul etmelidir. E-posta ile gönderilen kayıt teyit makbuzu ve alım tarihini gösteren orijinal fatura uzatılmış garantinin kanıtı olarak değerlendirilir.
3. Garanti, ürünün alım tarihindeki işçilik ve malzeme kusurları nedeniyle garanti süresi içinde oluşacak bütün arızalarını kapsar. Bu garanti onarım ve değiştirmeyle sınırlı olup, tesadüfi ya da dolaylı hasarlar da dahil, ancak bunlarla kısıtlı olmayan başka hiçbir taahhüdü kapsamaz. Garanti, ürünün kötü, kullanıcı kılavuzuna aykırı kullanılmış ya da yanlış bağlanmış olması halinde geçerli değildir. Bu garanti aşağıdakileri kapsamaz:
 - ürende, yanlış bakımdan kaynaklanan herhangi bir hasar
 - değiştirilmiş ya da modifiye edilmiş herhangi bir ürün
 - orijinal tanıtmı işaretleri (ticari marka, seri numarası) silinmiş, değiştirilmiş ya da kaldırılmış herhangi bir ürün
 - kullanma kılavuzuna uymamaktan kaynaklanmış herhangi bir hasar
 - herhangi bir AT dışı ürün
 - kalifiye olmamış personel tarafından ya da önceden Techtronic Industries onayı alınmadan onarılmış herhangi bir ürün.
 - uygunsuz güç kaynağına (amper, voltaj, frekans) bağlanmış herhangi bir ürün
 - uygunsuz bir yakıt karışımıyla (yakıt, yağ, yap yüzdesi) kullanılmış herhangi bir ürün
 - harici etkenlerden (kimyasal, fiziksel, darbe) veya yabancı cisimlerden kaynaklanan her türlü hasar
 - normal aşınır ve yıpranır aksam
 - uygunsuz kullanım, aletin aşırı yüklenmesi
 - onaysız aksesuar veya parça kullanımı
 - Karbüratörlere uygulanacak her türlü periyodik ayar, bakım veya temizlik
 - Darbe Düğmeleri, Tahrik Kayışları, Kavrama, Çit Budama ya da Çim Bıçme Makinelerinin Bıçakları, Kayış Koşumlar, Kablo Gaz, Kömür Fırçalar, Güç Kablo, Dişler, Keçe Rondelalar, Bağlantı Pimleri, Üfleyci Pervaneleri, Üfleyci ve Vakum Boruları, Vakum Torbası ve Kayışları, Kılavuz Çubuklar, Zincir Testere, Hortumlar, Konektör bağlantıları, Püskürtme Memeleri, Çarklar, Püskürtme Çubukları, Dahili Makaralar, Harici Makaralar, Kesme Telleri, Bujiler, Hava Filtreleri, Gaz Filtreleri, Malçlama Bıçakları vb. gibi parçaları kapsayan, ancak bunlarla sınırlı olmayan, aşınma ve yıpranmaya tabi bileşenler (aksam ve aksesuarlar).
4. Ürünün servis için her ülkede aşağıdaki servis istasyonları adres listesinde yer alan yetkili bir RYOBI servis istasyonuna gönderilmesi ya götürülmesi gereklidir. Bazı ülkelerde, yerel RYOBI distribütörünüz ürünü RYOBI servis teşkilatına göndermeyi üstlenir. Bir ürün bir RYOBI servis istasyonuna gönderilirken, ürünün güvenli bir biçimde ambalajlanması, benzin gibi tehlikeli maddeler içermemesi, gönderenin adresini taşıması ve arızanın kısa bir açıklamasını içermesi gerekir.
5. Bu garanti kapsamında yapılacak onarım / değişiklik ücretsizdir. Garanti süresinin uzatılması ya da yeniden başlatılması anlamına gelmez. Değiştirilmiş parçalar veya aletler bize ait olur. Bazı ülkelerde teslimat ücretleri veya posta giderlerinin gönderici tarafından ödenmesi gerekir. Alımdan kaynaklanan yasal haklarınız etkilenmez.
6. Bu Garanti Avrupa Topluluğu, İsviçre, İzlanda, Norveç, Liechtenstein, Türkiye ve Rusya'da geçerlidir. Bu alanların dışında, başka bir garantinin geçerli olup olmadığını belirlemek için lütfen yetkili RYOBI distribütörünüzle irtibata geçin.

YETKİLİ SERVİS MERKEZİ

En yakın yetkili servis merkezini öğrenmek için <http://en.ryobitools.eu/header/service-and-support/service-agents> sitesine girin.

EN DECLARATION OF CONFORMITY

Techtronic Industries GmbH
Max-Eyth-Straße 10, 71364 Winnenden, Germany

Herewith we declare that the product

Electric Silent Shredder
Brand: Ryobi
Model number: RSH3045U
Serial number range: 46283701000001 - 46283701999999

is in conformity with the following European Directives and harmonised standards

2006/42/EC, 2014/30/EU, 2000/14/EC, 2005/88/EC, 2011/65/EU,
EN 55014-1:2017, EN 55014-2:2015, EN 61000-3-2:2014,
EN 61000-3-3:2013, EN 60335-1:2012+A11:2014+A13:2017,
EN 50434:2014, EN 50581:2012

Measured sound power level: 100 dB (A)
Guaranteed sound power level: 102 dB (A)

Conformity assessment method to Annex V Directive 2000/14/EC amended by 2005/88/EC.

Andrew John Eyre (BEng, CEng, MIET)
Vice President, Regulatory & Safety
Winnenden, Aug. 31, 2018

Authorised to compile the technical file:

Alexander Krug, Managing Director
Techtronic Industries GmbH
Max-Eyth-Straße 10, 71364 Winnenden, Germany

CE

DE KONFORMITÄTserklärung

Techtronic Industries GmbH
Max-Eyth-Straße 10, 71364 Winnenden, Germany

Hiermit erklären wir, dass die Produkte

Elektrischer Leisehacksler
Marke: Ryobi
Modellnummer: RSH3045U
Seriennummernbereich: 46283701000001 - 46283701999999

mit den folgenden europäischen Richtlinien und harmonisierten Normen entspricht

2006/42/EC, 2014/30/EU, 2000/14/EC, 2005/88/EC, 2011/65/EU,
EN 55014-1:2017, EN 55014-2:2015, EN 61000-3-2:2014,
EN 61000-3-3:2013, EN 60335-1:2012+A11:2014+A13:2017,
EN 50434:2014, EN 50581:2012

Gemessener Schalleistungspegel: 100 dB (A)
Garantierter Schalleistungspegel: 102 dB (A)

Konformitätsbeurteilungsmethode zu Anhang V Richtlinie 2000/14/EC wie durch 2005/88/EC.

Andrew John Eyre (BEng, CEng, MIET)
Vizepräsident, Vorschriften und Sicherheit
Winnenden, Aug. 31, 2018

Autorisiert die technische Datei zu erstellen:

Alexander Krug, Geschäftsführer
Techtronic Industries GmbH
Max-Eyth-Straße 10, 71364 Winnenden, Germany

CE

FR DÉCLARATION DE CONFORMITÉ

Techtronic Industries GmbH
Max-Eyth-Straße 10, 71364 Winnenden, Germany

Déclarons par la présente que le produit

Broyeur Électrique Silencieux
Marque: Ryobi
Numéro de modèle: RSH3045U
Étendue des numéros de série: 46283701000001 - 46283701999999

est conforme aux Directives Européennes et Normes Harmonisées suivantes

2006/42/EC, 2014/30/EU, 2000/14/EC, 2005/88/EC, 2011/65/EU,
EN 55014-1:2017, EN 55014-2:2015, EN 61000-3-2:2014,
EN 61000-3-3:2013, EN 60335-1:2012+A11:2014+A13:2017,
EN 50434:2014, EN 50581:2012

Niveau de puissance sonore mesuré: 100 dB (A)
Niveau de puissance sonore garanti: 102 dB (A)

Méthode d'évaluation de conformité de l'annexe V Directive 2000/14/EC modifiée 2005/88/EC.

Andrew John Eyre (BEng, CEng, MIET)
Vice-Président, Réglementation & Sécurité
Winnenden, Aug. 31, 2018

Autorisé à rédiger le dossier technique:

Alexander Krug, Directeur Général
Techtronic Industries GmbH
Max-Eyth-Straße 10, 71364 Winnenden, Germany

CE

ES DECLARACIÓN DE CONFORMIDAD

Techtronic Industries GmbH
Max-Eyth-Straße 10, 71364 Winnenden, Germany

Por la presente declaramos que los productos

Trituradora silenciosa eléctrica
Marca: Ryobi
Número de modelo: RSH3045U
Intervalo del número de serie:
RPT184515: 46283701000001 - 46283701999999

se encuentra en conformidad con las siguientes Directivas Europeas y normas armonizadas

2006/42/EC, 2014/30/EU, 2000/14/EC, 2005/88/EC, 2011/65/EU,
EN 55014-1:2017, EN 55014-2:2015, EN 61000-3-2:2014,
EN 61000-3-3:2013, EN 60335-1:2012+A11:2014+A13:2017,
EN 50434:2014, EN 50581:2012

Nivel de potencia acústica medido: 100 dB (A)
Nivel de potencia acústica garantizado: 102 dB (A)

Método de evaluación de conformidad con el anexo V Directiva 2000/14/EC modificada por la 2005/88/EC.

Andrew John Eyre (BEng, CEng, MIET)
Vicepresidente, Director General de Normativa y Seguridad
Winnenden, Aug. 31, 2018

Autorizado para elaborar la ficha técnica:

Alexander Krug, Administrador Ejecutivo
Techtronic Industries GmbH
Max-Eyth-Straße 10, 71364 Winnenden, Germany

CE



IT DICHIARAZIONE DI CONFORMITÀ

Techtronic Industries GmbH
Max-Eyth-Straße 10, 71364 Winnenden, Germany

Si dichiara con la presente che il prodotto

Trituratore elettrico silenzioso
Marca: Ryobi
Numero modello: RSH3045U
Gamma numero seriale: 46283701000001 - 46283701999999

è conforme alle seguenti Direttive Europee e ai seguenti standard armonizzati
2006/42/EC, 2014/30/EU, 2000/14/EC, 2005/88/EC, 2011/65/EU,
EN 55014-1-2017, EN 55014-2-2015, EN 61000-3-2-2014,
EN 61000-3-3-2013, EN 60335-1-2012+A11:2014+A13:2017,
EN 50434:2014, EN 50581:2012

Livello di potenza acustica misurato: 102 dB (A)
Livello di potenza sonora garantita: 102 dB (A)

Metodo di valutazione sulla conformità all'allegato V Direttiva 2000/14/EC modificata con la 2005/88/EC.

Andrew John Eyre (BEng, CEng, MIET)
Vice-Presidente, Dipartimento Regolazioni & Sicurezza
Winnenden, Aug. 31, 2018

Autorizzato per compilare il file tecnico:
Alexander Krug, Direttore Amministrativo
Techtronic Industries GmbH
Max-Eyth-Straße 10, 71364 Winnenden, Germany

PT DECLARAÇÃO DE CONFORMIDADE

Techtronic Industries GmbH
Max-Eyth-Straße 10, 71364 Winnenden, Germany

Pelo presente declaramos que os produtos

Trituradora elétrica silenciosa
Marca: Ryobi
Número do modelo: RSH3045U
Intervalo do número de série: 46283701000001 - 46283701999999

se encontra em conformidade com as seguintes Directivas Europeias e normas harmozizadas

2006/42/EC, 2014/30/EU, 2000/14/EC, 2005/88/EC, 2011/65/EU,
EN 55014-1-2017, EN 55014-2-2015, EN 61000-3-2-2014,
EN 61000-3-3-2013, EN 60335-1-2012+A11:2014+A13:2017,
EN 50434:2014, EN 50581:2012

Nível de potência sonora medido: 102 dB (A)
Nível de potência sonora garantida: 102 dB (A)

Método de avaliação de conformidade para o anexo V Directiva 2000/14/EC alterada por 2005/88/EC.

Andrew John Eyre (BEng, CEng, MIET)
Vice-Presidente, Regulamentação & Segurança
Winnenden, Aug. 31, 2018

Autorizado para compilar o ficheiro técnico:
Alexander Krug, Administrador Executivo
Techtronic Industries GmbH
Max-Eyth-Straße 10, 71364 Winnenden, Germany

NL CONFORMITEITSVERKLARING

Techtronic Industries GmbH
Max-Eyth-Straße 10, 71364 Winnenden, Germany

Hierbij verklaren wij dat het product

Elektrische stille verhaakselaar
Merk: Ryobi
Modelnummer: RSH3045U
Serienummerbereik: 46283701000001 - 46283701999999

is in overeenstemming met de volgende Europese Richtlijnen en geharmoniseerde normen

2006/42/EC, 2014/30/EU, 2000/14/EC, 2005/88/EC, 2011/65/EU,
EN 55014-1-2017, EN 55014-2-2015, EN 61000-3-2-2014,
EN 61000-3-3-2013, EN 60335-1-2012+A11:2014+A13:2017,
EN 50434:2014, EN 50581:2012

Gemeten geluidsniveau: 102 dB (A)
Gegarandeerd geluidsniveau: 102 dB (A)

Evaluatiemethode conformiteit volgens bijlage V Richtlijn 2000/14/EC gewijzigd door 2005/88/EC.

Andrew John Eyre (BEng, CEng, MIET)
Vice-president, Regelgeving en Veiligheid
Winnenden, Aug. 31, 2018

Afgevaardigde voor het samenstellen van de technische fiche:
Alexander Krug, Directeur
Techtronic Industries GmbH
Max-Eyth-Straße 10, 71364 Winnenden, Germany

DA OVERENSSTEMMELSESERKLÆRING

Techtronic Industries GmbH
Max-Eyth-Straße 10, 71364 Winnenden, Germany

Vi erklærer hermed, at produktet

Elektrisk støvsug kompostkværn
Brand: Ryobi
Modelnummer: RSH3045U
Serienummerområde: 46283701000001 - 46283701999999

er i overensstemmelse med følgende EU-direktiver og harmoniserede standarder

2006/42/EC, 2014/30/EU, 2000/14/EC, 2005/88/EC, 2011/65/EU,
EN 55014-1-2017, EN 55014-2-2015, EN 61000-3-2-2014,
EN 61000-3-3-2013, EN 60335-1-2012+A11:2014+A13:2017,
EN 50434:2014, EN 50581:2012

Målt støjniveau: 102 dB (A)
Garanteret støjniveau: 102 dB (A)

Overensstemmelsesvurderingsmetode til bilag V Direktiv 2000/14/EC ændret ved 2005/88/EC.

Andrew John Eyre (BEng, CEng, MIET)
Vicepræsident, Regler og Sikkerhed
Winnenden, Aug. 31, 2018

Bemyndiget til at udarbejde det tekniske kartotek:
Alexander Krug, Administrerende Direktør
Techtronic Industries GmbH
Max-Eyth-Straße 10, 71364 Winnenden, Germany



SV KONFORMITETSDEKLARATION

Techtronic Industries GmbH
Max-Eyth-Straße 10, 71364 Winnenden, Germany

Härmed deklarerar vi att produkterna

Tyst elektrisk kompostkvarn
Märke: Ryobi
Modellnummer: RSH3045U
Serienummerintervall: 46283701000001 - 46283701999999

är i enlighet med följande EU-direktiv och harmoniserade standarder
2006/42/EC, 2014/30/EU, 2000/14/EC, 2005/88/EC, 2011/65/EU,
EN 55014-1:2017, EN 55014-2:2015, EN 61000-3-2:2014,
EN 61000-3-3:2013, EN 60335-1:2012+A11:2014+A13:2017,
EN 50434:2014, EN 50581:2012

Uppmätt ljudeffektnivå: 100 dB (A)
Garanterad ljudeffektnivå: 102 dB (A)

Konformitetsbedömning gjord enligt metod i V Direktiv 2000/14/EC samt tilläggen i 2005/88/EC.

Andrew John Eyre (BEng, CEng, MIET)
Vice President, Regelverk och Säkerhet
Winnenden, Aug. 31, 2018

Godkänd att sammanställa den tekniska filen:
Alexander Krug, Verkställande direktör
Techtronic Industries GmbH
Max-Eyth-Straße 10, 71364 Winnenden, Germany

NO SAMSVARSERKLÆRING

Techtronic Industries GmbH
Max-Eyth-Straße 10, 71364 Winnenden, Germany

Herved erklærer vi at produktet

Elektrisk stillestående kvarn
Märke: Ryobi
Modellnummer: RSH3045U
Serienummerserie: 46283701000001 - 46283701999999

er i samsvar med følgende europeiske direktiver og harmoniserte standarder
2006/42/EC, 2014/30/EU, 2000/14/EC, 2005/88/EC, 2011/65/EU,
EN 55014-1:2017, EN 55014-2:2015, EN 61000-3-2:2014,
EN 61000-3-3:2013, EN 60335-1:2012+A11:2014+A13:2017,
EN 50434:2014, EN 50581:2012

Målt lydteffektivitet: 100 dB (A)
Garantert lydteffektivitet: 102 dB (A)

Metode for vurdering av konformitet til Tillegg V Direktiv 2000/14/EC endret ved 2005/88/EC.

Andrew John Eyre (BEng, CEng, MIET)
Visepresident, Forskrifter og Sikkerhet
Winnenden, Aug. 31, 2018

Autorisert til å sette sammen den tekniske filen:
Alexander Krug, Administrerende Direktør
Techtronic Industries GmbH
Max-Eyth-Straße 10, 71364 Winnenden, Germany

FI SÄÄNNÖSTEN NOUDATTAMINEN

Techtronic Industries GmbH
Max-Eyth-Straße 10, 71364 Winnenden, Germany

Ilmoitamme täten, että tuotteet

Hiljainen sähkösiippuri
Tuotemerkki: Ryobi
Mallinumero: RSH3045U
Sarjanumerosalue: 46283701000001 - 46283701999999

noudattaa seuraavia EU-direktiivejä ja harmonoituja standardeja
2006/42/EC, 2014/30/EU, 2000/14/EC, 2005/88/EC, 2011/65/EU,
EN 55014-1:2017, EN 55014-2:2015, EN 61000-3-2:2014,
EN 61000-3-3:2013, EN 60335-1:2012+A11:2014+A13:2017,
EN 50434:2014, EN 50581:2012

Mitattu äänenteho: 100 dB (A)
Taattu ääniteho: 102 dB (A)

Säännösten noudattaminen tarkastettu direktiivin 2000/14/EC liitteen V mukaisesti muunnettu direktiivillä 2005/88/EC.

Andrew John Eyre (BEng, CEng, MIET)
Varatoimitusjohtaja, Säästöstenmukaisuus ja Turvallisuus
Winnenden, Aug. 31, 2018

Valtuutettu kokoamaan tekninen tiedosto:
Alexander Krug, Toimitusjohtaja
Techtronic Industries GmbH
Max-Eyth-Straße 10, 71364 Winnenden, Germany

RU ЗАЯВЛЕНИЕ О СООТВЕТСТВИИ ТРЕБОВАНИЯМ

Techtronic Industries GmbH
Max-Eyth-Straße 10, 71364 Winnenden, Germany

Настоящим мы заявляем, что данный продукт

Электрический тихий измельчитель
Марка: Ryobi
Номер модели: RSH3045U
Диапазон заводских номеров: 46283701000001 - 46283701999999

соответствует требованиям следующих Директив ЕС и согласованных стандартов
2006/42/EC, 2014/30/EU, 2000/14/EC, 2005/88/EC, 2011/65/EU,
EN 55014-1:2017, EN 55014-2:2015, EN 61000-3-2:2014,
EN 61000-3-3:2013, EN 60335-1:2012+A11:2014+A13:2017,
EN 50434:2014, EN 50581:2012

Измеренный уровень звуковой мощности: 100 dB (A)
Гарантируемый уровень звуковой мощности: 102 dB (A)

Способ оценки соответствия, приложение V к директиве 2000/14/EC с изменениями 2005/88/EC.

Andrew John Eyre (BEng, CEng, MIET)
Вице-Президент По Технике Безопасности И Стандартам
Winnenden, Aug. 31, 2018

Лицо, ответственное за подготовку технической документации:
Alexander Krug, Директор
Techtronic Industries GmbH
Max-Eyth-Straße 10, 71364 Winnenden, Germany

PL DEKLARACJA ZGODNOŚCI

Techtronic Industries GmbH
Max-Eyth-Straße 10, 71364 Winnenden, Germany

Niniejszym deklarujemy, że produkty
Elektryczna cicha rozdrabniarka
Marka: Ryobi
Numer modelu: RSH3045U
Zakres numerów seryjnych: 46283701000001 - 46283701999999

jest zgodny z następującymi dyrektywami europejskimi i zharmonizowanymi normami

2006/42/EC, 2014/30/EU, 2000/14/EC, 2005/88/EC, 2011/65/EU,
EN 55014-1:2017, EN 55014-2:2015, EN 61000-3-2:2014,
EN 61000-3-3:2013, EN 60335-1:2012+A11:2014+A13:2017,
EN 50434:2014, EN 50581:2012

Zmierzony poziom natężenia hałasu: 100 dB (A)
Maksymalny poziom natężenia hałasu: 102 dB (A)

Metoda ocena zgodności zgodnie z aneksem V Dyrektywa 2000/14/EC zmieniona przez dyrektywę 2005/88/EC.

Andrew John Eyre (BEng, CEng, MIET)
Wiceprezes ds. Zgodności Prawnej i Bezpieczeństwa
Winnenden, Aug. 31, 2018

Osoba upoważniona do sporządzenia dokumentu technicznego:
Alexander Krug, Dyrektor Zarządzający
Techtronic Industries GmbH
Max-Eyth-Straße 10, 71364 Winnenden, Germany

HU MEGFELELŐSÉGI NYILATKOZAT

Techtronic Industries GmbH
Max-Eyth-Straße 10, 71364 Winnenden, Germany

Ezúton kijelentjük, hogy a termék
Hangtalan elektromos aprító
Márka: Ryobi
Típuszám: RSH3045U
Sorozatszám tartomány: 46283701000001 - 46283701999999

megfelel az alábbi Európai irányelvek és harmonizált szabványok vonatkozó rendelkezéseinek

2006/42/EC, 2014/30/EU, 2000/14/EC, 2005/88/EC, 2011/65/EU,
EN 55014-1:2017, EN 55014-2:2015, EN 61000-3-2:2014,
EN 61000-3-3:2013, EN 60335-1:2012+A11:2014+A13:2017,
EN 50434:2014, EN 50581:2012

Mért hangteljesítményszint: 100 dB (A)
Garantált hangteljesítményszint: 102 dB (A)

A megfelelőségi értékelési eljárás a 2000/14/EC irányelv V. függeléké szerint történt által módosított 2005/88/EC irányelv.

Andrew John Eyre (BEng, CEng, MIET)
Alelnök, Megfelelőségi és Biztonsági Területék
Winnenden, Aug. 31, 2018

A műszaki dokumentáció összeállítására felhatalmazott:
Alexander Krug, Ügyvezető Igazgató
Techtronic Industries GmbH
Max-Eyth-Straße 10, 71364 Winnenden, Germany

CS PROHLÁŠENÍ O SHODĚ

Techtronic Industries GmbH
Max-Eyth-Straße 10, 71364 Winnenden, Germany

Tímto prohlašujeme, že výrobky
Tichý elektrický drtič
Značka: Ryobi
Číslo modelu: RSH3045U
Rozsah sériových čísel: 46283701000001 - 46283701999999

že tento výrobek je v souladu s evropskými a harmonizovanými standardy
2006/42/EC, 2014/30/EU, 2000/14/EC, 2005/88/EC, 2011/65/EU,
EN 55014-1:2017, EN 55014-2:2015, EN 61000-3-2:2014,
EN 61000-3-3:2013, EN 60335-1:2012+A11:2014+A13:2017,
EN 50434:2014, EN 50581:2012

Změřená hladina akustického výkonu: 100 dB (A)
Zaručená hladina akustického výkonu: 102 dB (A)

Soulad s metodou určování pro přílohu V směrnice 2000/14/EC upravená 2005/88/EC.

Andrew John Eyre (BEng, CEng, MIET)
Viceprezident, Normy a Bezpečnost
Winnenden, Aug. 31, 2018

Pověření ke kompilaci technického souboru:
Alexander Krug, Generální Ředitel
Techtronic Industries GmbH
Max-Eyth-Straße 10, 71364 Winnenden, Germany

RO DECLARAȚIE DE CONFORMITATE

Techtronic Industries GmbH
Max-Eyth-Straße 10, 71364 Winnenden, Germany

Prin prezenta, declarăm că produsele
Tocător silențios electric
Mărcă: Ryobi
Număr serie: RSH3045U
Gamă număr serie: 46283701000001 - 46283701999999

este în conformitate cu următoarele Directive Europene și standarde armonizate
2006/42/EC, 2014/30/EU, 2000/14/EC, 2005/88/EC, 2011/65/EU,
EN 55014-1:2017, EN 55014-2:2015, EN 61000-3-2:2014,
EN 61000-3-3:2013, EN 60335-1:2012+A11:2014+A13:2017,
EN 50434:2014, EN 50581:2012

Nivelul măsurat al puterii acustice: 100 dB (A)
Nivel garantat al puterii acustice: 102 dB (A)

Metoda de evaluare a conformității cu Anexa V Directiva 2000/14/EC modificată prin 2005/88/EC.

Andrew John Eyre (BEng, CEng, MIET)
Vicepreședintele, Reglementare & Siguranța
Winnenden, Aug. 31, 2018

Autorizat să completeze fișa tehnică:
Alexander Krug, Director General
Techtronic Industries GmbH
Max-Eyth-Straße 10, 71364 Winnenden, Germany

LV ATBILSTĪBAS DEKLARĀCIJA

Techtronic Industries GmbH
Max-Eyth-Straße 10, 71364 Winnenden, Germany

Ar šo paziņojam, ka produkti

Elektriskais klusais smalcinātājs
Zīmols: Ryobi
Modeļa numurs: RSH3045U
Sērijas numura intervāls: 46283701000001 - 46283701999999

atbilst šādām Eiropas direktīvām un saskaņotajiem standartiem
2006/42/EC, 2014/30/EU, 2000/14/EC, 2005/88/EC, 2011/65/EU,
EN 55014-1:2017, EN 55014-2:2015, EN 61000-3-2:2014,
EN 61000-3-3:2013, EN 60335-1:2012+A11:2014+A13:2017,
EN 50434:2014, EN 50581:2012

Izmērītās skaņas jaudas līmenis: 100 dB (A)
Garantētais skaņas intensitātes līmenis: 102 dB (A)

Atbilstības novērtēšanas metode pielikumam V Direktīvai 2000/14/EC labota 2005/88/EC.

Andrew John Eyre (BEng, CEng, MIET)
Viceprezidents, Darba Drošības Noteikumi
Winnenden, Aug. 31, 2018

Pilnvarots sastādīt tehnisko failu:
Alexander Krug, Izpilddirektors
Techtronic Industries GmbH
Max-Eyth-Straße 10, 71364 Winnenden, Germany

CE

ET VASTAVUSDEKLARATSIOON

Techtronic Industries GmbH
Max-Eyth-Straße 10, 71364 Winnenden, Germany

Kinnitame, et see toode

Elektriline müravaba oksapurusti
Mark: Ryobi
Mudeli number: RSH3045U
Seerianumbri vahemik: 46283701000001 - 46283701999999

vastab järgmistele Euroopa direktiividele ja harmoniseeritud standarditele
2006/42/EC, 2014/30/EU, 2000/14/EC, 2005/88/EC, 2011/65/EU,
EN 55014-1:2017, EN 55014-2:2015, EN 61000-3-2:2014,
EN 61000-3-3:2013, EN 60335-1:2012+A11:2014+A13:2017,
EN 50434:2014, EN 50581:2012

Möödetud helivõimsuse tase: 100 dB (A)
Garanteeritud helivõimsuse tase: 102 dB (A)

Vastavushindamine vastavalt lisale V direktiivis 2000/14/EC muudetud direktiiviga 2005/88/EC.

Andrew John Eyre (BEng, CEng, MIET)
Asepresident Standardiseerimise Ja Ohutuse Alal
Winnenden, Aug. 31, 2018

Tehnilise faili koostamiseks volitatud isik:
Alexander Krug, Tegevdirektor
Techtronic Industries GmbH
Max-Eyth-Straße 10, 71364 Winnenden, Germany

CE

LT ATITIKTIES DEKLARACIJA

Techtronic Industries GmbH
Max-Eyth-Straße 10, 71364 Winnenden, Germany

Mes pareiškiame, kad šie produktai

Elektrinis betriukšmis smulkintuvas
Prekės ženklas: Ryobi
Modelio numeris: RSH3045U
Serijinio numerio diapazonas: 46283701000001 - 46283701999999

pagamintas laikantis toliau nurodytųjų Europos Direktyvų ir darniųjų standartų
2006/42/EC, 2014/30/EU, 2000/14/EC, 2005/88/EC, 2011/65/EU,
EN 55014-1:2017, EN 55014-2:2015, EN 61000-3-2:2014,
EN 61000-3-3:2013, EN 60335-1:2012+A11:2014+A13:2017,
EN 50434:2014, EN 50581:2012

Išmatuotas akustinis lygis: 100 dB (A)
Garantuotas akustinis lygis: 102 dB (A)

Atitikties įvertinimo metodas pagal direktyvos 2000/14/EC, V Priedą su pataisomis 2005/88/EC.

Andrew John Eyre (BEng, CEng, MIET)
Kontrolės Ir Saugos Viceprezidentas
Winnenden, Aug. 31, 2018

[galiotas sudaryti techninį failą:
Alexander Krug, Generalinis Direktorius
Techtronic Industries GmbH
Max-Eyth-Straße 10, 71364 Winnenden, Germany

CE

HR IZJAVA O USKLADENOSTI

Techtronic Industries GmbH
Max-Eyth-Straße 10, 71364 Winnenden, Germany

Uvimje izjavljujemo da su proizvodi

Tiha električna rezačica
Marka: Ryobi
Broj modela: RSH3045U
Raspon serijskog broja: 46283701000001 - 46283701999999

usklađen sa sljedećim Europskim Direktivama i usklađenim normama
2006/42/EC, 2014/30/EU, 2000/14/EC, 2005/88/EC, 2011/65/EU,
EN 55014-1:2017, EN 55014-2:2015, EN 61000-3-2:2014,
EN 61000-3-3:2013, EN 60335-1:2012+A11:2014+A13:2017,
EN 50434:2014, EN 50581:2012

Izmjerena razina zvučne snage: 100 dB (A)
Jamčena razina zvučne snage: 102 dB (A)

Metoda procjene usklađenosti prema Dodatku V Direktive 2000/14/EC navedeno u 2005/88/EC.

Andrew John Eyre (BEng, CEng, MIET)
Potpredsjednik za Pravila i Sigurnost
Winnenden, Aug. 31, 2018

Ovlašten da sastavi tehničku datoteku:
Alexander Krug, Direktor Upravljanja
Techtronic Industries GmbH
Max-Eyth-Straße 10, 71364 Winnenden, Germany

CE

SL IZJAVA O SKLADNOSTI

Techtronic Industries GmbH
Max-Eyth-Straße 10, 71364 Winnenden, Germany

Izjavljamo, da je izdelek
Električni tihi drobilnik
Znamka: Ryobi
Številka modela: RSH3045U
Razpon serijskih števil: 46283701000001 - 46283701999999

v skladu s sledečimi evropskimi direktivami in harmoniziranimi standardi
2006/42/EC, 2014/30/EU, 2000/14/EC, 2005/88/EC, 2011/65/EU,
EN 55014-1:2017, EN 55014-2:2015, EN 61000-3-2:2014,
EN 61000-3-3:2013, EN 60335-1:2012+A11:2014+A13:2017,
EN 50434:2014, EN 50581:2012

Izmerjena raven zvočne moči: 100 dB (A)
Zajamčena raven zvočne moči: 102 dB (A)

Način ugotavljanja skladnosti z aneksom V direktive 2000/14/EC ki je bila spremenjena z 2005/88/EC.

Andrew John Eyre (BEng, CEng, MIET)
Podpredsednik, Zakonodajne In Varnostne Zadeve
Winnenden, Aug. 31, 2018

Pooblaščen oseba za sestavo tehnične dokumentacije:
Alexander Krug, Izvršni Direktor
Techtronic Industries GmbH
Max-Eyth-Straße 10, 71364 Winnenden, Germany

CE

BG ДЕКЛАРАЦИЯ НА ЗА СЪОТВЕТВИЕ

Techtronic Industries GmbH
Max-Eyth-Straße 10, 71364 Winnenden, Germany

С настоящето декларираме, че продуктите
Безшумна електрическа дробилка
Марка: Ryobi
Номер на модела: RSH3045U
Обхват на серийни номера: 46283701000001 - 46283701999999

отговаря на следните директиви на ЕС и хармонизирани стандарти
2006/42/EC, 2014/30/EU, 2000/14/EC, 2005/88/EC, 2011/65/EU,
EN 55014-1:2017, EN 55014-2:2015, EN 61000-3-2:2014,
EN 61000-3-3:2013, EN 60335-1:2012+A11:2014+A13:2017,
EN 50434:2014, EN 50581:2012

Измерено ниво на шум: 100 dB (A)
Гарантирано ниво на шум: 102 dB (A)

Метод за оценяване на съответствието с приложение V Директива 2000/14/EC, изменена от 2005/88/EC.

Andrew John Eyre (BEng, CEng, MIET)
Вицепрезидент, Правни Услуги И Безопасност
Winnenden, Aug. 31, 2018

Упълномощено лице за съставяне на техническия файл:
Alexander Krug, Изпълнителен Директор
Techtronic Industries GmbH
Max-Eyth-Straße 10, 71364 Winnenden, Germany

CE

SK PREHLÁSENIE O ZHODE

Techtronic Industries GmbH
Max-Eyth-Straße 10, 71364 Winnenden, Germany

Týmto vyhlasujeme, že výrobok
Elektrická tihá drvička
Značka: Ryobi
Číslo modelu: RSH3045U
Rozsah sériových čísel: 46283701000001 - 46283701999999

je v súlade s nasledujúcimi Európskymi smernicami a harmonizovanými normami
2006/42/EC, 2014/30/EU, 2000/14/EC, 2005/88/EC, 2011/65/EU,
EN 55014-1:2017, EN 55014-2:2015, EN 61000-3-2:2014,
EN 61000-3-3:2013, EN 60335-1:2012+A11:2014+A13:2017,
EN 50434:2014, EN 50581:2012

Nameraná úroveň hluku: 100 dB (A)
Garantovaná úroveň hluku: 102 dB (A)

Spôsob určenia zhody podľa Dodatku V Smernica 2000/14/EC doplnená o 2005/88/EC.

Andrew John Eyre (BEng, CEng, MIET)
Viceprezident, Regulácia a Bezpečnosť
Winnenden, Aug. 31, 2018

Oprávnená osoba na zostavenie technického súboru:
Alexander Krug, Generálny Riaditeľ
Techtronic Industries GmbH
Max-Eyth-Straße 10, 71364 Winnenden, Germany

CE

UK ДЕКЛАРАЦИЯ ПРО ВІДПОВІДНІСТЬ

Techtronic Industries GmbH
Max-Eyth-Straße 10, 71364 Winnenden, Germany

При цьому ми заявляємо, що продукт
Електричний безшумний подрібнювач
Марка: Ryobi
Номер моделі: RSH3045U
Діапазон серійного номеру: 46283701000001 - 46283701999999

у відповідності з наступними європейськими директивами та гармонізованими стандартами
2006/42/EC, 2014/30/EU, 2000/14/EC, 2005/88/EC, 2011/65/EU,
EN 55014-1:2017, EN 55014-2:2015, EN 61000-3-2:2014,
EN 61000-3-3:2013, EN 60335-1:2012+A11:2014+A13:2017,
EN 50434:2014, EN 50581:2012

Вимірний рівень звукової потужності: 100 dB (A)
Гарантований рівень звукової потужності: 102 dB (A)

Метод оцінки відповідності додаток V Директива 2000/14/EC з поправками, внесеними 2005/88 / EC.

Andrew John Eyre (BEng, CEng, MIET)
Віце-президент, регулювання і безпека
Winnenden, Aug. 31, 2018

Дозвіл на складання технічного файла:
Alexander Krug, Керуючий директор
Techtronic Industries GmbH
Max-Eyth-Straße 10, 71364 Winnenden, Germany

CE

TR UYGUNLUK BEYANI

Techtronic Industries GmbH
Max-Eyth-StraÙe 10, 71364 Winnenden, Germany

İř bu belge ile bu ürünün

Electric Silent Shredder

Marka: Ryobi

Model numarası: RSH3045U

Seri numarası aralıđı: 46283701000001 - 46283701999999

ařađıdaki Avrupa Direktiflerine ve uyulařtırılmıř standartlara uygun olduđunu beyan ediyorum

2006/42/EC, 2014/30/EU, 2000/14/EC, 2005/88/EC, 2011/65/EU,

EN 55014-1:2017, EN 55014-2:2015, EN 61000-3-2:2014,

EN 61000-3-3:2013, EN 60335-1:2012+A11:2014+A13:2017,

EN 50434:2014, EN 50581:2012

Ölçülen ses gücü seviyesi: 100 dB (A)

Güvenceli ses gücü seviyesi: 102 dB (A)

2005/88/AT ile deđiřtirilen 2000/14/AT Direktifi Ek V uyarınca uygunluk deđerlendirmesi yöntemi.



Andrew John Eyre (BEng, CEng, MIET)
Mevzuat ve Güvenlik Bařkan Yardımcısı
Winnenden, Aug. 31, 2018

CE

Teknik dosyayı derlemekle yetkili sorumlu:
Alexander Krug, İdari Müdür
Techtronic Industries GmbH
Max-Eyth-StraÙe 10, 71364 Winnenden, Germany







Techtronic Industries GmbH
Max-Eyth-Straße 10,
71364 Winnenden, Germany

099330001001-02