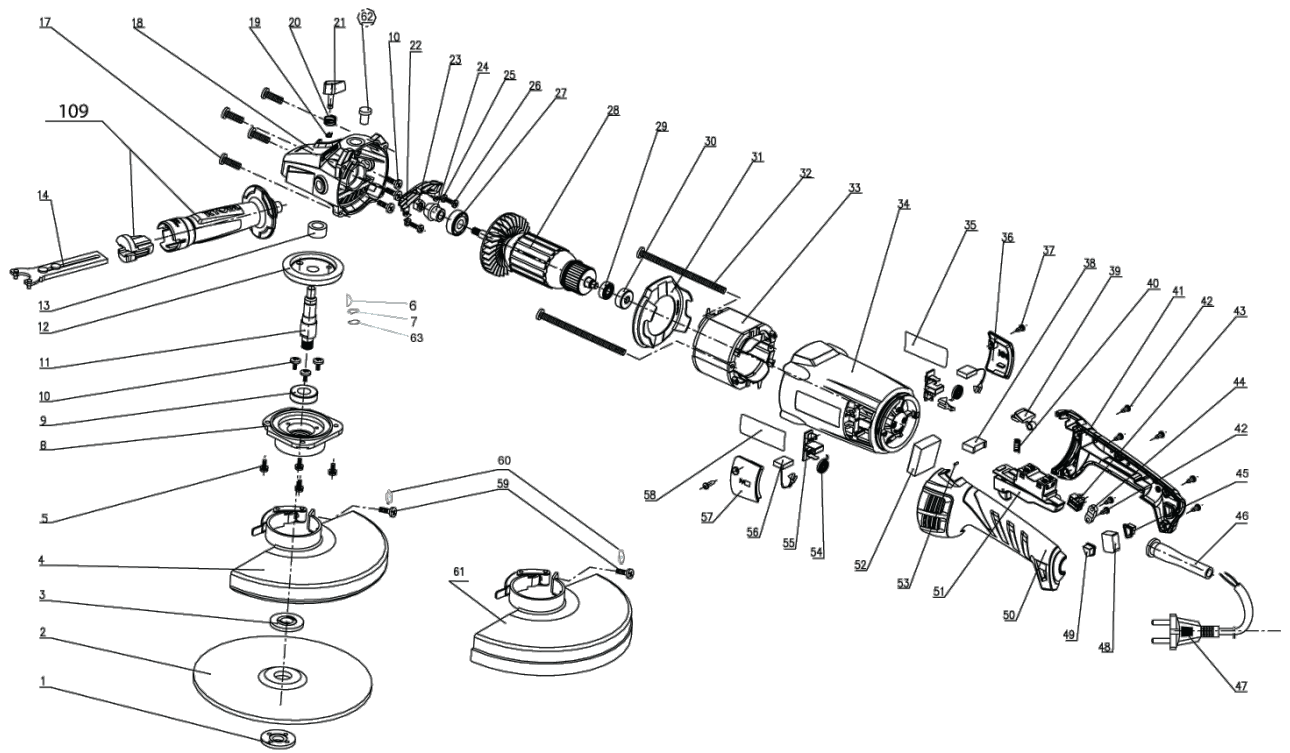


EAG2000RS 2000W230 ANGGRIND BMC IN2

5133000550 - EAG2000RS EU - 4000444332





| Position | Quantity | Description | Part number | EAN |
|----------|----------|----------------------|-------------|---------------|
| 0001 | 1 | CLAMPING FLANGE | 5131033195 | 4002395158256 |
| 0003 | 1 | PICK-UP WASHER | 5131033196 | 4002395158263 |
| 0004 | 1 | GUARD | 5131033197 | 4002395158270 |
| 0006 | 1 | KEY | 5131033198 | 4002395158287 |
| 0007 | 1 | WASHER | 5131033199 | 4002395158294 |
| 0008 | 1 | GEAR BOX COVER | 5131033200 | 4002395158904 |
| 0009 | 1 | GROOV. BALL BEARING | 5131033201 | 4002395158911 |
| 0010 | 6 | SCREW | 5131033202 | 4002395158928 |
| 0011 | 1 | GEAR SHAFT | 5131033203 | 4002395158935 |
| 0012 | 1 | PINION | 5131033204 | 4002395158942 |
| 0013 | 1 | BEARING NEEDLE | 5131033205 | 4002395158959 |
| 0014 | 1 | SPANNER | 5131033206 | 4002395158966 |
| 0017 | 4 | SCREW | 5131033207 | 4002395158973 |
| 0018 | 1 | GEAR BOX HOUSING | 5131033208 | 4002395158980 |
| 0019 | 1 | RING | 5131033209 | 4002395158997 |
| 0020 | 1 | SPRING | 5131033210 | 4002395159604 |
| 0021 | 1 | BUTTON | 5131033211 | 4002395159611 |
| 0022 | 1 | COVER | 5131033212 | 4002395159628 |
| 0023 | 1 | NUT | 5131033213 | 4002395159635 |
| 0024 | 1 | PINION | 5131033214 | 4002395159642 |
| 0025 | 2 | SCREW | 5131033215 | 4002395159659 |
| 0027 | 1 | BALL BEARING | 5131033216 | 4002395159666 |
| 0028 | 1 | ROTOR | 5131033217 | 4002395159673 |
| 0029 | 1 | BALL BEARING | 5131033218 | 4002395159680 |
| 0030 | 1 | BEARING SLEEVE | 5131033219 | 4002395159697 |
| 0031 | 1 | FAN HOUSING | 5131033220 | 4002395160303 |
| 0032 | 2 | SCREW | 5131033221 | 4002395160310 |
| 0033 | 1 | STATOR | 5131033222 | 4002395160327 |
| 0034 | 1 | MOTOR HOUSING | 5131033223 | 4002395160334 |
| 0035 | 1 | RATING PLATE | 5131033224 | 4002395160341 |
| 0036 | 1 | COVER PLATE | 5131033225 | 4002395160358 |
| 0037 | 2 | SCREW | 5131033226 | 4002395160365 |
| 0038 | 1 | CAPACITOR | 5131033227 | 4002395160372 |
| 0039 | 1 | PUSH-BUTTON | 5131033228 | 4002395160389 |
| 0040 | 1 | SPRING | 5131033229 | 4002395160396 |
| 0041 | 1 | RIGHT HANDLE HALF | 5131033230 | 4002395157600 |
| 0042 | 7 | SCREW | 5131033231 | 4002395157617 |
| 0043 | 1 | TERMINAL PLUG | 5131033232 | 4002395157624 |
| 0044 | 1 | CABLE CLAMP | 5131033233 | 4002395157631 |
| 0045 | 1 | LENS | 5131033234 | 4002395157648 |
| 0046 | 1 | CABLE ENTRY SLEEVE | 5131033235 | 4002395157655 |
| 0047 | 1 | CONNECTION CABLE | 5131033236 | 4002395157662 |
| 0048 | 1 | INDICATOR LIGHT | 5131033238 | 4002395157686 |
| 0049 | 1 | LENS | 5131033239 | 4002395157693 |
| 0050 | 1 | DEMIE POIGNEE GAUCHE | 5131033240 | 4002395158300 |
| 0051 | 1 | SWITCH | 5131033241 | 4002395158317 |
| 0052 | 1 | PRINTED CIRCUIT | 5131033242 | 4002395158324 |
| 0053 | 1 | PIN | 5131033243 | 4002395158331 |
| 0054 | 2 | SPRING | 5131033244 | 4002395158348 |
| 0055 | 2 | CARBON HOLDER | 5131033245 | 4002395158355 |

| Position | Quantité | Désignation | Référence | EAN |
|-----------------|-----------------|--------------------|------------------|---------------|
| 0056 | 2 | CARBON BRUSH | 5131033246 | 4002395158362 |
| 0057 | 1 | COVER PLATE | 5131033247 | 4002395158379 |
| 0058 | 1 | RATING PLATE | 5131033248 | 4002395158386 |
| 0063 | 1 | WASHER | 5131033249 | 4002395158393 |
| 0109 | 1 | AUXILIARY HANDLE | 5131033250 | 4002395159000 |